

1995/96

BMW

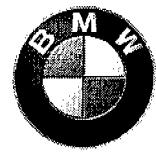
**840Ci, 850Ci,
850CSi (E31)**

Electrical

Troubleshooting

Manual

Vehicles Produced 9/94 to 8/96



ELECTRICAL TROUBLESHOOTING MANUAL

SERIES 8 – E31 (840Ci, 850Ci, 850CSi)

SCHEMATICS

MODEL YEAR 1995/96

0100.0	INDEX	3240.0	POWER ASSIST STEERING (SERVOTRONIC)
0110.0	INTRODUCTION	3334.0	ACTIVE REAR AXLE KINEMATICS (AHK)
0140.0	SYMBOLS	3450.0	SLIP CONTROL (ABS)
0670.0	POWER DISTRIBUTION CHART	3450.5	SLIP CONTROL 5 (ASC 5)
0670.1	FUSE CHART	3715.2	ELECTRONIC SHOCK ABSORBER CONTROL (EDC III+)
0670.2	POWER DISTRIBUTION	3715.3	ELECTRONIC SHOCK ABSORBER CONTROL (EDC IV)
0670.3	FUSE DETAILS	5116.0	POWER MIRRORS
0670.4	GROUND DISTRIBUTION	5120.0	ZKE DOOR LOCK HEATING (TSH)
0670.5	DATA LINK	5126.0	ZKE CENTRAL LOCKING (ZV)
1210.6	ENGINE CONTROL SYSTEM (DME M1.7, 12-CYLINDER M70)	5133.0	ZKE POWER WINDOWS (FH)
1210.11	ENGINE CONTROL SYSTEM (DME M3.3, 8-CYLINDER M60)	5146.0	POWER SUN SHADES
1210.18	ENGINE CONTROL SYSTEM (DME M5.2, 12-CYLINDER M73)	5200.0	POWER SEATS
1210.22	ENGINE CONTROL SYSTEM (DME M5.2, 8-CYLINDER M62)	5200.1	SEAT/MIRROR MEMORY SYSTEM (SM/SPM)
1230.0	CHARGING SYSTEM	5203.0	HEATED SEATS
1240.0	START	5212.0	LUMBAR SUPPORT
1270.1	ELECTRONIC THROTTLE CONTROL (EML 12-CYLINDER)	5410.0	ZKE SUNROOF (SHD)
1270.2	ELECTRONIC THROTTLE CONTROL (EML IIIIS, 12-CYLINDER)	6100.0	CENTRAL BODY ELECTRONICS (ZKE II)
1290.0	E-BOX FAN	6133.0	HORN
2460.7	ELECTRONIC TRANSMISSION CONTROL (EGS: GS 9.20/A5S 560Z)	6135.0	DRIVE-AWAY PROTECTION (EWS II)
2460.10	ELECTRONIC TRANSMISSION CONTROL (EGS: GS 9.22/AS5 560Z)	6160.0	ZKE WIPER/WASHER CONTROL
3231.0	ELECTRIC STEERING COLUMN ADJUSTMENT	6164.0	ZKE WINDSHIELD WIPER PRESSURE CONTROL (ADV)
3231.1	STEERING COLUMN MEMORY (LSM)	6167.0	ZKE HEADLIGHT WASHER (SRA)
3234.0	SUPPLEMENTAL RESTRAINT SYSTEM (AIR BAG)	6169.0	WINDSHIELD WASHER JET HEATERS
		6210.0	BODY ELECTRONICS MODULE (EKM)
		6211.0	INSTRUMENT CLUSTER

SCHEMATICS

6300.0	LIGHT SWITCH DETAILS	6450.0	AUTOMATIC HEATING/AC CONTROL (IHKA)
6301.0	LAMP MONITOR (LKM)	6454.0	AUXILIARY FAN
6312.0	HEADLIGHTS/FOG LIGHTS	6510.1	RADIO/HIFI
6313.0	TURN/HAZARD LIGHTS	6561.0	CELLULAR TELEPHONE (PROVISIONS)
6314.0	PARK/TAIL/UNDERHOOD LIGHTS	6575.3	ANTI-THEFT SYSTEM IV (DWA IV)
6320.0	LICENSE PLATE/LUGGAGE COMPARTMENT LIGHTS	6581.1	MULTI-INFORMATION DISPLAY (MID)
6322.0	BACK UP LIGHTS	6610.1	REMOTE CONTROLLED LOCKING SYSTEM
6325.0	BRAKE LIGHTS	7000.0	COMPONENT LOCATION CHART
6330.0	ZKE INTERIOR LIGHTS CONTROL (IB)	7100.0	COMPONENT LOCATION VIEWS
6332.0	INTERIOR ACCESSORIES	8000.0	SPLICE LOCATION VIEWS
6350.0	CRASH CONTROL MODULE	8500.0	CONNECTOR VIEWS
6412.2	PARK VENTILATION WITH IHKA		
6424.0	REAR WINDOW DEFOGGER/ ANTENNA		



0100.0



ABS HYDRAULIC UNIT, Y1 3450.0
 ABS HYDRAULIC UNIT, Y1 3450.5-01
 ABS HYDRAULIC UNIT, Y1w 3450.5-07
 ACCELERATION SENSOR, RIGHT REAR, B48 3715.2-01
 ACCELERATION SENSOR, RIGHT REAR, B48 3715.3-01
 ACOUSTIC DEVICE, H10z 6210.0-09
 AIR BAG GAS GENERATOR, DRIVER'S, G5 3234.0-01
 AIR BAG GAS GENERATOR, PASSENGER'S, G6 3234.0-01
 AIR CONDITIONING COMPRESSOR (IHKA), Y3 6450.0-13
 AIR CONDITIONING PRESSURE SWITCH, S96 6450.0-12
 AIR CONDITIONING RELAY, K33 6454.0
 AIR FLOW SENSOR, CYL. 1-6, B6216 1210.6-03
 AIR FLOW SENSOR, CYL. 7-12, B6226 1210.6-13
 AIR TEMPERATURE SENSOR, CYL. 1-6, B6215 1210.6-08
 AIR TEMPERATURE SENSOR, CYL. 7-12, B6225 1210.6-16
 ANTENNA AMPLIFIER AM/FM, N8 6424.0-00
 ANTI-THEFT CONTROL MODULE (DWA), N1 6575.3
 ANTI-THEFT HORN (DWA), H1 6575.3-00
 ANTI-THEFT SYSTEM IV (DWA IV) 6575.3
 ASC SWITCH, S6 3450.5
 AUTOMATIC AIR RECIRCULATION CONTROL MODULE,
 A417 6450.0-16
 AUTOMATIC AIR RECIRCULATION SENSOR, B414 6450.0-16
 AUTOMATIC HEATING AND AIR CONDITIONING
 SWITCH (IHKA), S26 6450.0-01
 AUTOMATIC HEATING/AC CONTROL (IHKA) 6450.0
 AUTOMATIC HEATING/AC CONTROL MODULE
 (IHKA), A11 6450.0-00
 AUTOMATIC TRANSMISSION RANGE SWITCH,
 S3 2460.7-04
 AUTOMATIC TRANSMISSION RANGE SWITCH,
 S8532 2460.10-04

AUTOMATIC TRANSMISSION RANGE SWITCH,
 S8532 2460.10-09
 AUXILIARY FAN 6454.0
 AUXILIARY FAN MOTOR, M9 6454.0-00
 AUXILIARY FUSE BOX, P95 0670.2-09
 AUXILIARY FUSE BOX, P97 0670.2-09
 AUXILIARY RELAY BOX - ENGINE COMPARTMENT,
 P1 0670.2
 AUXILIARY THROTTLE POSITION MOTOR (ADS),
 M93 3450.5-09
 AUXILIARY THROTTLE POSITION SENSOR, R6253 3450.5-09
 AUXILIARY TURN LIGHT, LEFT FRONT, H9 6313.0-02
 AUXILIARY TURN LIGHT, RIGHT FRONT, H8 6313.0-02
 AUXILIARY WATER PUMP RELAY, K8z 6450.0-11
 AUXILIARY WATER PUMP, M37a 6450.0-11
 B+ JUMP START JUNCTION POINT, G6430 0670.2-02
 B+ JUNCTION POINT, X6400 0670.2
 BACK UP LIGHT, LEFT, H27 6322.0-00
 BACK UP LIGHT, RIGHT, H28 6322.0-00
 BACK UP LIGHTS 6322.0
 BATTERY I, RIGHT, G1z 0670.2-00
 BATTERY II, LEFT, G4 0670.2-00
 BLOWER MOTOR, M30 6450.0-01
 BLOWER RELAY, K4 6450.0-00
 BODY ELECTRONICS MODULE (EKM) 6210.0
 BODY ELECTRONICS MODULE, A25 6210.0-00
 BRAKE FLUID LEVEL SWITCH, B18 6210.0-08
 BRAKE LIGHT SWITCH, S30 6325.0-00
 BRAKE LIGHT, LEFT, H24 6325.0-01
 BRAKE LIGHT, RIGHT, H31 6325.0-01
 BRAKE LIGHTS 6325.0
 BRAKE PAD SENSOR, LEFT FRONT, B16 6210.0-07



INDEX

BRAKE PAD SENSOR, RIGHT REAR, B17	6210.0-07
BRAKE PRESSURE REGULATING SWITCH, B19	6210.0-08
BRAKE PRESSURE SWITCH, B20	6210.0-08
CAMSHAFT POSITION SENSOR (CYLINDER IDENTIFICATION), B6204	1210.11-09
CAN BUS, I1000	0670.5-13
CASSETTE BOX LIGHT, E45y	6300.0-04
CD CHANGER, N22	6510.1-04
CELLULAR TELEPHONE (PROVISIONS)	6561.0
CENTRAL BODY ELECTRONICS (ZKE II)	6100.0
CENTRAL LOCKING TRUNK LID MOTOR RELAY (ZV), K70	5126.0-03
CHARGING SOCKET, X779	6332.0-00
CHARGING SYSTEM	1230.0
CLUTCH SWITCH, S32	1270.1-09
COMBINATION SWITCH, S7	6301.0-00
COMPONENT LOCATION CHART	7000.0
COMPONENT LOCATION VIEWS	7100.0
COMPRESSOR CONTROL RELAY, K19	6450.0-12
COMPRESSOR CUT-OFF RELAY, K60	6450.0-12
CONCEALING HEADLIGHT MOTOR, LH, M18	6312.0-06
CONCEALING HEADLIGHT MOTOR, RH, M19	6312.0-06
CONCEALING HEADLIGHTS RELAY, K39	6312.0-06
CONNECTOR VIEWS	8500.0
CONSUMER CUT-OFF RELAY I, K72	6330.0-02
CONSUMER CUT-OFF RELAY II, K73	6330.0-02
CONTACT RING, C101	3234.0-01
CRANKSHAFT POSITION/RPM SENSOR, B6203	1210.11-09
CRANKSHAFT POSITION/RPM SENSOR, B6203	1210.22-10
CRANKSHAFT POSITION/RPM SENSOR, CYL. 1-6, B6212	1210.6-05

CRANKSHAFT POSITION/RPM SENSOR, CYL. 7-12, B6222	1210.6-15
CRANKSHAFT SENSOR I, B6213	1210.18-05
CRANKSHAFT SENSOR II, B6223	1210.18-12
CRASH CONTROL MODULE	6350.0
CRASH CONTROL MODULE, N17	6350.0-01
CRUISE CONTROL (TEMPOMAT)	6571.0
CRUISE CONTROL ACTUATOR (TEMPOMAT), M25	6571.0-02
CRUISE CONTROL MODULE (TEMPOMAT), A8	6571.0
CRUISE CONTROL SWITCH (EML), S11	1270.1-02
CRUISE CONTROL SWITCH (EML), S11	1270.2-01
CRUISE CONTROL SWITCH, S28	6571.0-00
CYLINDER IDENTIFICATION SENSOR, CYL. 1-6, B6211	1210.6-05
CYLINDER IDENTIFICATION SENSOR, CYL. 7-12, B6221	1210.6-15
DASH LIGHT, E41	6450.0-07
DASH VENT MIXING FLAP MOTOR, M34	6450.0-08
DATA LINK	0670.5
DATA LINK CONNECTOR, D100	0670.5
DAYTIME RUNNING LIGHTS CODING DIODE, V4	6314.0-02
DAYTIME RUNNING LIGHTS RELAY, K111	6314.0-02
DEFROSTER FLAP MOTOR, M35	6450.0-10
DIMMER, N3	6300.0-02
DIVERSITY, N404	6424.0-02
DOOR HANDLE SWITCH, DRIVER'S, S48	5120.0-00
DOOR HANDLE SWITCH, PASSENGER'S, S79	6100.0-03
DOOR JAMB SWITCH, DRIVER'S, S14	6575.3-04
DOOR JAMB SWITCH, PASSENGER'S, S13	6575.3-04
DOOR LOCK HEATER, E48	5120.0-00
DOOR LOCK MOTOR, DRIVER'S, M12	5126.0-04



DOOR LOCK MOTOR, PASSENGER'S, M13 5126.0-04
DOOR LOCK SWITCH, DRIVER'S, S47 5126.0-00
DOOR LOCK SWITCH, PASSENGER'S, S49 5126.0-00
DOOR MODULE, DRIVER'S, A23 6100.0-00
DOOR MODULE, PASSENGER'S, A24 6100.0-00
DOOR PANEL LIGHT, DRIVER'S, E78 6300.0-04
DOOR PANEL LIGHT, PASSENGER'S, E79 6300.0-04
DRIVE-AWAY PROTECTION (EWS II) 6135.0
DRIVER'S SEATBACK SWITCH, LH, S104 6210.0-06
DRIVER'S SEATBACK SWITCH, RH, S103 6210.0-06
DSC STEERING WHEEL ANGLE SENSOR, R26 3450.5-08
DUAL TEMPERATURE SENSOR
(COOLANT TEMPERATURE), B6256 1210.18-06
DUAL TEMPERATURE SENSOR
(COOLANT TEMPERATURE), B6256 1210.22-08
DUAL TEMPERATURE SENSOR
(COOLANT TEMPERATURE), B6256 6210.0
DWA LED, V5 6575.3-00
E-BOX FAN 1290.0
E-BOX FAN, M6506 1290.0-00
EDC RELAY, K67 3715.2-00
EDC RELAY, K67 3715.3-00
EDC SWITCH, S105 3715.2-00
EDC SWITCH, S105 3715.3-00
EDC VALVES, LEFT FRONT, Y401z 3715.2-02
EDC VALVES, LEFT FRONT, Y401z 3715.3-02
EDC VALVES, LEFT REAR, Y403z 3715.2-02
EDC VALVES, LEFT REAR, Y403z 3715.3-02
EDC VALVES, RIGHT FRONT, Y402z 3715.2-02
EDC VALVES, RIGHT FRONT, Y402z 3715.3-02
EDC VALVES, RIGHT REAR, Y404z 3715.2-02
EDC VALVES, RIGHT REAR, Y404z 3715.3-02

ELECTRIC POWER PROTECTION RELAY II, K30 5126.0-03
ELECTRIC POWER PROTECTION RELAY, K15 5126.0-03
ELECTRIC STEERING COLUMN ADJUSTMENT 3231.0
ELECTRO-HYDRAULIC CONVERTER (SERVOTRONIC),
B15 3240.0-00
ELECTROCHROMIC REAR VIEW MIRROR, A22z 5116.0-02
ELECTRONIC IMMOBILIZER CONTROL MODULE
(EWS II), A836 1240.0
ELECTRONIC IMMOBILIZER CONTROL MODULE
(EWS II), A836 6135.0
ELECTRONIC SHOCK ABSORBER CONTROL (EDC III+) ... 3715.2
ELECTRONIC SHOCK ABSORBER CONTROL (EDC IV) 3715.3
ELECTRONIC SHOCK ABSORBER CONTROL MODULE
(EDC), A413 3715.2
ELECTRONIC SHOCK ABSORBER CONTROL MODULE
(EDC), A413 3715.3
ELECTRONIC THROTTLE CONTROL
(EML 12-CYLINDER) 1270.1
ELECTRONIC THROTTLE CONTROL
(EML IIIS, 12-CYLINDER) 1270.2
ELECTRONIC TRANSMISSION CONTROL
(EGS: GS 9.20/A5S 560Z) 2460.7
ELECTRONIC TRANSMISSION CONTROL
(EGS: GS 9.22/AS5 560Z) 2460.10
EML ACTUATOR MOTOR I, M6360 1270.1-05
EML ACTUATOR MOTOR I, M6360 1270.2-04
EML ACTUATOR MOTOR II, M6370 1270.1-06
EML ACTUATOR MOTOR II, M6370 1270.2-05
EML SWITCH, S202 1270.1-04
ENGINE CONTROL MODULE (DME), A6000 1210.11
ENGINE CONTROL MODULE (DME), A6000 1210.22
ENGINE CONTROL MODULE (DME), CYL. 1-6, A6010 1210.18



INDEX

ENGINE CONTROL MODULE (DME), CYL. 1-6, A6010 1210.6
ENGINE CONTROL MODULE (DME), CYL. 7-12,
A6020 1210.18
ENGINE CONTROL MODULE (DME), CYL. 7-12,
A6020 1210.6
ENGINE CONTROL MODULE RELAY, CYL. 1-6,
K6310 1210.18-01
ENGINE CONTROL MODULE RELAY, CYL. 1-6,
K6310 1210.6-01
ENGINE CONTROL MODULE RELAY, CYL. 7-12,
K6320 1210.18-10
ENGINE CONTROL MODULE RELAY, CYL. 7-12,
K6320 1210.6-11
ENGINE CONTROL MODULE RELAY, K6300 1210.11-00
ENGINE CONTROL MODULE RELAY, K6300 1210.22-00
ENGINE CONTROL RELAY (ABS/ASC), K94 3450.0-01
ENGINE CONTROL RELAY (ABS/ASC), K94 3450.5-07
ENGINE CONTROL SYSTEM
(DME M1.7, 12-CYLINDER M70) 1210.6
ENGINE CONTROL SYSTEM
(DME M3.3, 8-CYLINDER M60) 1210.11
ENGINE CONTROL SYSTEM
(DME M5.2, 12-CYLINDER M73) 1210.18
ENGINE CONTROL SYSTEM
(DME M5.2, 8-CYLINDER M62) 1210.22
ENGINE COOLANT TEMP. SENSOR (EML), B6234 1270.1-03
ENGINE COOLANT TEMPERATURE SENSOR, B6232 6210.0
ENGINE COOLANT TEMPERATURE SENSOR, B6236 . 1210.11-07
ENGINE COOLANT TEMPERATURE SENSOR, B6236 .. 1210.6-08
ENGINE HOOD SWITCH (DWA), S21 6575.3-05
EVAPORATIVE EMISSION VALVE, CYL. 1-6, Y6121 ... 1210.18-01
EVAPORATIVE EMISSION VALVE, CYL. 1-6, Y6121 1210.6-03

EVAPORATIVE EMISSION VALVE, CYL. 7-12, Y6122 . 1210.18-10
EVAPORATIVE EMISSION VALVE, CYL. 7-12, Y6122 .. 1210.6-13
EVAPORATIVE EMISSION VALVE, Y6120 1210.11-01
EVAPORATIVE EMISSION VALVE, Y6120 1210.22-01
EVAPORATOR TEMPERATURE SENSOR, B14 6450.0-03
FINAL STAGE UNIT, N2 6450.0-01
FLASHER LIGHT RELAY, K52z 6312.0-05
FM AMPLIFIER HLO, N444 6424.0-02
FM AMPLIFIER/SUPPRESSION FILTER, C900z 6424.0-02
FOG LIGHT SWITCH, S10 6312.0-02
FOG LIGHT, LEFT, E26 6312.0-03
FOG LIGHT, RIGHT, E27 6312.0-03
FOOTWELL FLAP MOTOR, LEFT, M31 6450.0-09
FOOTWELL FLAP MOTOR, RIGHT, M32 6450.0-08
FOOTWELL LIGHT, LEFT FRONT, E61 6330.0-03
FOOTWELL LIGHT, RIGHT FRONT, E62 6330.0-03
FRESH AIR FLAP MOTOR, M36 6450.0-10
FRONT ACCELERATION SENSOR, B41z 3715.2-01
FRONT ACCELERATION SENSOR, B41z 3715.3-01
FRONT CIGAR LIGHTER LIGHT, E29 6332.0-03
FRONT CIGAR LIGHTER, E28 6332.0-03
FRONT DOME LIGHT/MAP READING ASSEMBLY, E34 .. 6330.0-03
FRONT POWER DISTRIBUTION BOX, P90 0670.2
FUEL INJECTION VALVE, CYL. 1, Y6101 1210.11-01
FUEL INJECTION VALVE, CYL. 1, Y6101 1210.18-02
FUEL INJECTION VALVE, CYL. 1, Y6101 1210.22-01
FUEL INJECTION VALVE, CYL. 1, Y6101 1210.6-02
FUEL INJECTION VALVE, CYL. 2, Y6102 1210.11-01
FUEL INJECTION VALVE, CYL. 2, Y6102 1210.18-02
FUEL INJECTION VALVE, CYL. 2, Y6102 1210.22-01
FUEL INJECTION VALVE, CYL. 2, Y6102 1210.6-02
FUEL INJECTION VALVE, CYL. 3, Y6103 1210.11-01



FUEL INJECTION VALVE, CYL. 3, Y6103	1210.18-02	FUEL LEVEL SENSOR II, B25	6210.0-09
FUEL INJECTION VALVE, CYL. 3, Y6103	1210.22-01	FUEL PUMP RELAY, CYL. 1-6, K6311	1210.6-04
FUEL INJECTION VALVE, CYL. 3, Y6103	1210.6-02	FUEL PUMP RELAY, CYL. 7-12, K6321	1210.6-14
FUEL INJECTION VALVE, CYL. 4, Y6104	1210.11-01	FUEL PUMP RELAY, K6301w	1210.11-05
FUEL INJECTION VALVE, CYL. 4, Y6104	1210.18-02	FUEL PUMP RELAY, K6301w	1210.18-04
FUEL INJECTION VALVE, CYL. 4, Y6104	1210.22-01	FUEL PUMP RELAY, K6301w	1210.22-05
FUEL INJECTION VALVE, CYL. 4, Y6104	1210.6-02	FUEL PUMP, CYL. 1-6, M2z	1210.6-04
FUEL INJECTION VALVE, CYL. 5, Y6105	1210.11-02	FUEL PUMP, CYL. 7-12, M11	1210.6-14
FUEL INJECTION VALVE, CYL. 5, Y6105	1210.18-02	FUEL PUMP, M2	1210.11-05
FUEL INJECTION VALVE, CYL. 5, Y6105	1210.22-02	FUEL PUMP, M2	1210.18-04
FUEL INJECTION VALVE, CYL. 5, Y6105	1210.6-02	FUEL PUMP, M2	1210.22-05
FUEL INJECTION VALVE, CYL. 6, Y6106	1210.11-02	FUSE CHART	0670.1
FUEL INJECTION VALVE, CYL. 6, Y6106	1210.18-02	FUSE DETAILS	0670.3
FUEL INJECTION VALVE, CYL. 6, Y6106	1210.22-02	FUSE HOLDER IN E-BOX, P98	0670.2-08
FUEL INJECTION VALVE, CYL. 6, Y6106	1210.6-02	FUSIBLE LINK, F0	0670.2-00
FUEL INJECTION VALVE, CYL. 7, Y6107	1210.11-02	GAS FILLER LOCK MOTOR, M16	5126.0-04
FUEL INJECTION VALVE, CYL. 7, Y6107	1210.18-11	GEAR SHIFT LEVER INDICATOR, E96	6300.0-05
FUEL INJECTION VALVE, CYL. 7, Y6107	1210.22-02	GEAR STEP TRANSMISSION SWITCH, S224	2460.10-03
FUEL INJECTION VALVE, CYL. 7, Y6107	1210.6-12	GEAR STEP TRANSMISSION SWITCH, S224	2460.10-08
FUEL INJECTION VALVE, CYL. 8, Y6108	1210.11-02	GENERAL MODULE, A1	6100.0-00
FUEL INJECTION VALVE, CYL. 8, Y6108	1210.18-11	GENERATOR, G6509	1230.0-01
FUEL INJECTION VALVE, CYL. 8, Y6108	1210.22-02	GLOVE BOX CENTRAL LOCKING SWITCH, S118	5126.0-02
FUEL INJECTION VALVE, CYL. 8, Y6108	1210.6-12	GLOVE BOX LIGHT SWITCH I, S37z	6332.0-01
FUEL INJECTION VALVE, CYL. 9, Y6109	1210.18-11	GLOVE BOX LIGHT SWITCH II, S113	6332.0-01
FUEL INJECTION VALVE, CYL. 9, Y6109	1210.6-12	GLOVE BOX LIGHT, E42	6332.0-00
FUEL INJECTION VALVE, CYL. 10, Y6110	1210.18-11	GRADIENT MONITOR (DWA), B28	6575.3-01
FUEL INJECTION VALVE, CYL. 10, Y6110	1210.6-12	GROUND DISTRIBUTION	0670.4
FUEL INJECTION VALVE, CYL. 11, Y6111	1210.18-11	HALL EFFECT CAMSHAFT SENSOR I, B6219	1210.22-10
FUEL INJECTION VALVE, CYL. 11, Y6111	1210.6-12	HALL EFFECT CAMSHAFT SENSOR, B6209	1210.18-01
FUEL INJECTION VALVE, CYL. 12, Y6112	1210.18-11	HAZARD FLASHER RELAY, K16	6313.0-00
FUEL INJECTION VALVE, CYL. 12, Y6112	1210.6-12	HAZARD SWITCH, S18	6313.0-01
FUEL LEVEL SENSOR I, B6z	6210.0-09	HEADLIGHT WIDENING MOTOR, M80	6312.0-07



INDEX

HEADLIGHT WIDENING MOTOR, RIGHT, M81	6312.0-07
HEADLIGHT WIDENING POTENTIOMETER, R13	6312.0-07
HEADLIGHT/FOG LIGHT WASHER PUMP, M7	6167.0-02
HEADLIGHT/FOGLIGHT CLEANING MODULE (SRA), N6	6167.0-02
HEADLIGHTS/FOG LIGHTS	6312.0
HEAT EXCHANGER TEMPERATURE SENSOR, LH, B11	6450.0-03
HEAT EXCHANGER TEMPERATURE SENSOR, RH, B12	6450.0-03
HEATED OXYGEN SENSOR, CYL. 1-4, B6210w	1210.11-06
HEATED OXYGEN SENSOR, CYL. 1-6, B6210	1210.6-05
HEATED OXYGEN SENSOR, CYL. 5-6, B6220w	1210.11-06
HEATED OXYGEN SENSOR, CYL. 7-12, B6220	1210.6-15
HEATED SEATS	5203.0
HIFI AMPLIFIER, A18	6510.1-00
HIGH BEAM FLASHER LIGHT, LEFT, E69	6312.0-05
HIGH BEAM FLASHER LIGHT, RIGHT, E70z	6312.0-05
HIGH BEAM LIGHT RELAY, K46	6312.0-05
HIGH BEAM LIGHT, LEFT, E11	6312.0-05
HIGH BEAM LIGHT, RIGHT, E12	6312.0-05
HIGH LEVEL STOP LIGHT, H34	6325.0-01
HIGH RANGE SPEAKER, LEFT FRONT, H59	6510.1-01
HIGH RANGE SPEAKER, LEFT REAR, H56	6510.1-03
HIGH RANGE SPEAKER, RIGHT FRONT, H50	6510.1-02
HIGH RANGE SPEAKER, RIGHT REAR, H53	6510.1-03
HIGH SPEED RELAY, K22	6454.0-00
HORN	6133.0
HORN RELAY, K2	6133.0-00
HORN SWITCH, S4	6133.0-00
HORN, LEFT, H2	6133.0-00
HORN, RIGHT, H3	6133.0-00
HOT FILM AIR MASS METER, B6217	1210.11-07
HOT FILM AIR MASS METER, B6217	1210.22-08

HOT-FILM AIR MASS METER I, B6217w	1210.18-06
HOT-FILM AIR MASS METER II, B6227w	1210.18-13
IDLE SPEED CONTROL VALVE, Y6130	1210.11-00
IDLE SPEED CONTROL VALVE, Y6130	1210.22-02
IGNITION COIL, CYL. 1, T6151	1210.11-03
IGNITION COIL, CYL. 1, T6151	1210.22-03
IGNITION COIL, CYL. 1-6, T6151z	1210.18-00
IGNITION COIL, CYL. 1-6, T6151z	1210.6-00
IGNITION COIL, CYL. 2, T6152	1210.11-03
IGNITION COIL, CYL. 2, T6152	1210.22-03
IGNITION COIL, CYL. 3, T6153	1210.11-03
IGNITION COIL, CYL. 3, T6153	1210.22-03
IGNITION COIL, CYL. 4, T6154	1210.11-03
IGNITION COIL, CYL. 4, T6154	1210.22-03
IGNITION COIL, CYL. 5, T6155	1210.11-04
IGNITION COIL, CYL. 5, T6155	1210.22-04
IGNITION COIL, CYL. 6, T6156	1210.11-04
IGNITION COIL, CYL. 6, T6156	1210.22-04
IGNITION COIL, CYL. 7, T6157	1210.11-04
IGNITION COIL, CYL. 7, T6157	1210.22-04
IGNITION COIL, CYL. 7-12, T6152z	1210.18-09
IGNITION COIL, CYL. 7-12, T6152z	1210.6-10
IGNITION COIL, CYL. 8, T6158	1210.11-04
IGNITION COIL, CYL. 8, T6158	1210.22-04
IGNITION SWITCH, S2	0670.2
INDEX	0100.0
INERTIA SWITCH, S27	6350.0-01
INSIDE DOOR HANDLE SWITCH, DRIVER'S, S89	5120.0-01
INSIDE DOOR HANDLE SWITCH, PASSENGER'S, S90	6100.0-03
INSTRUMENT CLUSTER	6211.0
INSTRUMENT CLUSTER, A2w	6211.0
INTAKE AIR TEMPERATURE SENSOR, B6205	1210.18-13



INDEX

INTAKE AIR TEMPERATURE SENSOR, B6215A	1210.11-07
INTAKE AIR TEMPERATURE SENSOR, B6215A	1210.22-08
INTENSIVE WASH PUMP, M5	6160.0-02
INTENSIVE WASH RELAY, K42	6160.0-02
INTERIOR ACCESSORIES	6332.0
INTERIOR LIGHT RELAY, K29	6330.0-03
INTERIOR LIGHT, LEFT REAR, E39	6330.0-03
INTERIOR LIGHT, RIGHT REAR, E40	6330.0-03
INTRODUCTION	0110.0
JET HEATER THERMOSWITCH, S198	6169.0-00
JUMPER PLUG FOR HORN/TELEPHONE, K51	6133.0-00
JUMPER PLUG FOR HORN/TELEPHONE, K51	6561.0-01
KICK-DOWN SWITCH, S8507	2460.10-10
KICK-DOWN SWITCH, S8507	2460.7-03
KNOCK SENSOR, B6243	1210.11-08
KNOCK SENSOR, CYL. 1-2, B6241	1210.11-08
KNOCK SENSOR, CYL. 1-2, B6241	1210.22-09
KNOCK SENSOR, CYL. 1-3, B6241w	1210.18-06
KNOCK SENSOR, CYL. 10-12, B6244w	1210.18-13
KNOCK SENSOR, CYL. 3-4, B6242	1210.11-08
KNOCK SENSOR, CYL. 3-4, B6242	1210.22-09
KNOCK SENSOR, CYL. 4-6, B6242w	1210.18-06
KNOCK SENSOR, CYL. 5-6, B6243	1210.22-09
KNOCK SENSOR, CYL. 7-8, B6244	1210.11-08
KNOCK SENSOR, CYL. 7-8, B6244	1210.22-09
KNOCK SENSOR, CYL. 7-9, B6243w	1210.18-13
LAMP CONTROL MODULE, A3	6301.0
LAMP MONITOR (LKM)	6301.0
LICENSE PLATE LIGHT, LEFT, E43	6320.0-01
LICENSE PLATE LIGHT, RIGHT, E44	6320.0-01
LICENSE PLATE/LUGGAGE COMPARTMENT LIGHTS	6320.0
LIGHT ASSEMBLY I, LEFT REAR, E46z	0670.4-12

LIGHT ASSEMBLY I, RIGHT REAR, E47z	0670.4-12
LIGHT ASSEMBLY II, LEFT REAR, E80	6301.0-03
LIGHT ASSEMBLY II, RIGHT REAR, E81	6301.0-03
LIGHT BAND, LEFT, E9046	0670.4-01
LIGHT BAND, RIGHT, E9047	0670.4-02
LIGHT SWITCH DETAILS	6300.0
LIGHT SWITCH, S8	6300.0
LIGHT SWITCH, S8z	6300.0
LOCK-SENSOR CONTROL MODULE, A26	6450.0-13
LONGITUDINAL ACCELERATION SENSOR, B49	3715.2-01
LOW BEAM LIGHT, LEFT, E13	6312.0-00
LOW BEAM LIGHT, RIGHT, E14	6312.0-00
LOW RANGE SPEAKER, LEFT FRONT, H58	6510.1-01
LOW RANGE SPEAKER, LEFT REAR, H57	6510.1-03
LOW RANGE SPEAKER, RIGHT FRONT, H51	6510.1-02
LOW RANGE SPEAKER, RIGHT REAR, H52	6510.1-03
LUMBAR SUPPORT	5212.0
MAKEUP MIRROR LIGHT, DRIVER'S, E35	6332.0-01
MAKEUP MIRROR LIGHT, PASSENGER'S, E36	6332.0-01
MAKEUP MIRROR SWITCH, DRIVER'S, S77	6332.0-01
MAKEUP MIRROR SWITCH, PASSENGER'S, S78	6332.0-01
MARKER LIGHT, LEFT FRONT, E21	6314.0-04
MARKER LIGHT, RIGHT FRONT, E22	6314.0-04
MEMORY MIRROR, DRIVER'S SIDE, Y9	5200.1-07
MEMORY MIRROR, PASSENGER'S SIDE, Y10	5200.1-08
MEMORY MIRRORS CONTROL SWITCH, S12	5200.1-06
MEMORY SEAT ADJUSTMENT SWITCH, DRIVER'S, S50	5200.1-00
MEMORY SEAT MIRRORS SWITCH, S57	5200.1-01
MICROPHONE, B400	6561.0-00
MID-HIGH RANGE SPEAKER, LEFT, H42	6510.1-01
MID-HIGH RANGE SPEAKER, RIGHT, H43	6510.1-02
MIDRANGE SPEAKER, LEFT FRONT, H55	6510.1-01



INDEX

MIDRANGE SPEAKER, RIGHT FRONT, H54	6510.1-02
MIRROR CONTROL SWITCH, S17	5116.0-00
MIRROR, DRIVER'S SIDE, Y5	5116.0-01
MIRROR, PASSENGER'S SIDE, Y6	5116.0-01
MIXING FLAP MOTOR, LEFT, M39	6450.0-09
MIXING SWITCH, R1	6450.0-04
MULTI-INFORMATION DISPLAY (MID)	6581.1
MULTI-INFORMATION DISPLAY (MID), N4z	6581.1-00
NORMAL SPEED RELAY, K21	6454.0-00
OBD II CONNECTOR, D110	0670.5-14
OIL LEVEL SENSOR, B6230	6210.0
OIL PRESSURE SWITCH, B206	6210.0-08
ON-BOARD COMPUTER HORN RELAY, K91	6575.3-00
OUTSIDE TEMPERATURE SENSOR, B13	6450.0-03
OXYGEN SENSOR I (BEHIND CATALYTIC CONVERTER), B62102	1210.18-05
OXYGEN SENSOR I (BEHIND CATALYTIC CONVERTER), B62102	1210.22-07
OXYGEN SENSOR I (IN FRONT OF CATALYTIC CONVERTER), B62101	1210.18-05
OXYGEN SENSOR I (IN FRONT OF CATALYTIC CONVERTER), B62101	1210.22-06
OXYGEN SENSOR II (BEHIND CATALYTIC CONVERTER), B62202	1210.18-12
OXYGEN SENSOR II (BEHIND CATALYTIC CONVERTER), B62202	1210.22-07
OXYGEN SENSOR II (IN FRONT OF CATALYTIC CONVERTER), B62201	1210.18-12
OXYGEN SENSOR II (IN FRONT OF CATALYTIC CONVERTER), B62201	1210.22-06
OXYGEN SENSOR RELAY, K6303	1210.11-06
PARK BRAKE SWITCH, S31	6210.0-05

PARK HEATING/VENTILATION RELAY BOX, A15	6412.2-02
PARK LIGHT RELAY, LEFT, K26	6314.0-02
PARK LIGHT, LEFT, E15	6314.0-03
PARK LIGHT, RIGHT, E19	6314.0-03
PARK LIGHT/LICENSE PLATE LIGHT RELAY, RIGHT, K25	6314.0-02
PARK VENTILATION WITH IHKA	6412.2
PARK/TAIL/UNDERHOOD LIGHTS	6314.0
PASSENGER'S SEATBACK SWITCH, LH, S122	6210.0-06
PASSENGER'S SEATBACK SWITCH, RH, S121	6210.0-06
PEDAL POSITION SENSOR, R10	1270.1-03
PEDAL POSITION SENSOR, R10	1270.2-02
POWER ASSIST STEERING (SERVOTRONIC)	3240.0
POWER DISTRIBUTION	0670.2
POWER DISTRIBUTION CHART	0670.0
POWER MIRRORS	5116.0
POWER SEATS	5200.0
POWER SUN SHADES	5146.0
POWER WINDOW MOTOR/ INCREMENT SENSOR, DRIVER'S, M21z	5133.0-03
POWER WINDOW MOTOR/ INCREMENT SENSOR, PASSENGER'S, M23z	5133.0-01
PRESSURE SENSOR/PLUNGER, Y16	3450.5-06
PRESSURE SWITCH, B9508	6450.0-12
PROGRAM SELECTOR, S173	2460.7-02
RADIO ANTI-THEFT SWITCH (DWA), S20	6575.3-05
RADIO, N9	6510.1-00
RADIO/HIFI	6510.1
REAR DEFOGGER I, E9	6424.0-01
REAR DEFOGGER RELAY, K13	6424.0-00
REAR DEFOGGER/ANTENNA, E10	6424.0-01
REAR LEFT MID-HIGH RANGE SPEAKER, H55z	6510.1-03



REAR POWER DISTRIBUTION BOX, P94 0670.2-10
 REAR RIGHT MID-HIGH RANGE SPEAKER, H54z 6510.1-03
 REAR WINDOW DEFOGGER SWITCH, S76 6424.0-00
 REAR WINDOW DEFOGGER/ANTENNA 6424.0
 RECIRCULATION FLAP MOTOR, M40 6450.0-10
 RELAY MODULE, A5 6100.0
 REMOTE CONTROLLED LOCKING SYSTEM 6610.1
 REMOTE LOCKING RECEIVER, N13y 6610.1-00
 RESISTOR, R6240 1210.18-00
 RESISTOR, R6240 1210.18-09
 REVERSING LIGHT SWITCH, S8511 6322.0-00
 SEAT BELT SWITCH, DRIVER'S, S58 3234.0-00
 SEAT BELT SWITCH, PASSENGER'S, S59 3234.0-01
 SEAT CONTROL SWITCH, DRIVER'S SEAT, S51 5200.0-00
 SEAT CONTROL SWITCH, PASSENGER'S SEAT, S56 .. 5200.0-01
 SEAT CUSHION MOVEMENT POTENTIOMETER, R9 ... 5200.1-02
 SEAT CUSHION REAR HEIGHT POTENTIOMETER, R8 . 5200.1-02
 SEAT CUSHION TILT MOTOR, DRIVER'S, M50 5200.0-00
 SEAT CUSHION TILT MOTOR, DRIVER'S, M50 5200.1-02
 SEAT CUSHION TILT MOTOR, PASSENGER'S, M61 5200.0-01
 SEAT HEATER SWITCH, DRIVER'S SEAT, S53 5203.0-00
 SEAT HEATER SWITCH, PASSENGER'S SEAT, S54 5203.0-00
 SEAT HEATER, DRIVER'S, E57 5203.0-00
 SEAT HEATER, PASSENGER'S, E58 5203.0-00
 SEAT HEIGHT MOTOR, DRIVER'S, M52 5200.0-00
 SEAT HEIGHT MOTOR, DRIVER'S, M52 5200.1-03
 SEAT HEIGHT MOTOR, PASSENGER'S, M59 5200.0-01
 SEAT HEIGHT POTENTIOMETER, R6 5200.1-03
 SEAT LUMBAR SUPPORT MOTOR/
 VALVE, PASSENGER'S, M56z 5212.0-00
 SEAT LUMBAR SUPPORT MOTOR/VALVE, DRIVER'S,
 M55z 5212.0-00

SEAT LUMBAR SUPPORT SWITCH, PASSENGER'S, S55 5212.0-00
 SEAT LUMBAR SWITCH, S52 5212.0-00
 SEAT MOVEMENT MOTOR, M51 5200.0-00
 SEAT MOVEMENT MOTOR, M51 5200.1-02
 SEAT MOVEMENT MOTOR, PASSENGER'S, M60 5200.0-01
 SEAT OCCUPANCY DETECTOR, A113 3234.0-00
 SEAT/MIRROR MEMORY CONTROL MODULE, A21 5200.1-00
 SEAT/MIRROR MEMORY SYSTEM (SM/SPM) 5200.1
 SEATBACK HEATER, DRIVER'S, E56 5203.0-00
 SEATBACK HEATER, PASSENGER'S, E59 5203.0-00
 SEATBACK POTENTIOMETER, R7 5200.1-03
 SEATBACK RECLINER MOTOR, DRIVER'S, M53 5200.0-00
 SEATBACK RECLINER MOTOR, DRIVER'S, M53 5200.1-03
 SEATBACK RECLINER MOTOR, PASSENGER'S, M58 .. 5200.0-01
 SECONDARY AIR PUMP RELAY, K109 1210.18-03
 SECONDARY AIR PUMP RELAY, K6304 1210.18-03
 SECONDARY AIR PUMP VALVE, Y6164 1210.18-03
 SECONDARY AIR PUMP, M63 1210.18-03
 SELECTOR LEVER POSITION SWITCH, S227 2460.10-02
 SELECTOR LEVER POSITION SWITCH, S227 2460.10-07
 SERIES RESISTOR (FOR SECONDARY AIR PUMP),
 R14 1210.18-03
 SERVOTRONIC RELAY, K199 3240.0-00
 SHIFT LOCK, S8522 2460.10-03
 SHIFT-LOCK, Y19 2460.7-03
 SIDE MARKER LIGHT, LEFT REAR, E9021 6314.0-01
 SIDE MARKER LIGHT, RIGHT REAR, E9022 6314.0-01
 SLIP CONTROL (ABS) 3450.0
 SLIP CONTROL 5 (ASC 5) 3450.5
 SLIP CONTROL MODULE (ABS), A7 3450.0
 SLIP CONTROL MODULE (ABS/ASC+T), A9070 3450.5
 SPEAKER, LEFT REAR, H46 6510.0-03

SPEAKER, RIGHT REAR, H45	6510.0-03	SUN BLIND SWITCH, S110	5146.0-00
SPEED SENSOR - ABS, LEFT FRONT, B2	3450.0-03	SUNROOF MODULE, A33	5410.0-01
SPEED SENSOR - ABS, LEFT FRONT, B2	3450.5	SUNROOF MOTOR, M24	5410.0-01
SPEED SENSOR - ABS, LEFT REAR, B4	3450.0-03	SUNROOF SWITCH, S38	5410.0-01
SPEED SENSOR - ABS, LEFT REAR, B4	3450.5	SUPPLEMENTAL RESTRAINT SYSTEM	
SPEED SENSOR - ABS, RIGHT FRONT, B1	3450.0-03	CONTROL MODULE, A12	3234.0-00
SPEED SENSOR - ABS, RIGHT FRONT, B1	3450.5	SUPPLEMENTAL RESTRAINT SYSTEM (AIR BAG)	3234.0
SPEED SENSOR - ABS, RIGHT REAR, B3	3450.0-03	SUPPRESSION FILTER, C900	6424.0-01
SPEED SENSOR - ABS, RIGHT REAR, B3	3450.5	SYMBOLS	0140.0
SPLICE LOCATION VIEWS	8000.0	TAIL LIGHT, LEFT, H25	6314.0-04
START	1240.0	TAIL LIGHT, RIGHT, H30	6314.0-04
STARTER IMMOBILIZATION RELAY, K1w	1240.0	TELEPHONE TRANSCEIVER, H38	6510.1-00
STARTER, M6510	1240.0	TEMPERATURE SENSOR, B21z	6210.0
STEERING ANGLE SENDER, B40	3715.2-01	TEMPERATURE SWITCH, B6235	1290.0-00
STEERING ANGLE SENDER, B40	3715.3-01	TEMPERATURE SWITCH, S36	6454.0-00
STEERING COLUMN ADJUSTMENT CONTROL		TEMPERATURE SWITCH, S36z	6454.0-00
MODULE, A34w	3231.0-00	THIGH SUPPORT MOTOR, DRIVER'S, M65	5200.0-02
STEERING COLUMN ANGLE ADJUST		THIGH SUPPORT MOTOR, DRIVER'S, M65	5200.1-04
POTENTIOMETER, R19z	3231.1-00	THIGH SUPPORT MOTOR, PASSENGER'S, M66	5200.0-02
STEERING COLUMN ANGLE ADJUST MOTOR, M83 ...	3231.0-00	THIGH SUPPORT POTENTIOMETER, R15	5200.1-04
STEERING COLUMN ANGLE ADJUST MOTOR, M83 ...	3231.1-01	THIGH SUPPORT SWITCH, DRIVER'S, S93	5200.0-02
STEERING COLUMN LENGTH ADJUST		THIGH SUPPORT SWITCH, DRIVER'S, S93	5200.1-04
POTENTIOMETER, R18z	3231.1-00	THIGH SUPPORT SWITCH, PASSENGER'S, S94	5200.0-02
STEERING COLUMN LENGTH ADJUST MOTOR, M82 ..	3231.0-00	THROTTLE CONTROL MODULE (EML), A6004	1270.1
STEERING COLUMN LENGTH ADJUST MOTOR, M82 ..	3231.1-01	THROTTLE CONTROL MODULE (EML), A6004	1270.2
STEERING COLUMN MEMORY (LSM)	3231.1	THROTTLE POSITION SENSOR, R6252	1210.11-07
STEERING COLUMN MEMORY CONTROL		THROTTLE POSITION SENSOR, R6252	1210.22-08
MODULE, A34z	3231.1-00	TRANSMISSION CONTROL MODULE (AGS), A8600 ..	2460.10-05
STEERING COLUMN POSITION SWITCH, S119z	3231.0-00	TRANSMISSION CONTROL MODULE (EGS), A8500	2460.10
STEERING COLUMN POSITION SWITCH, S119z	3231.1-00	TRANSMISSION CONTROL MODULE (EGS), A8500	2460.7
SUN BLIND CONTROL MODULE, A82	5146.0-00	TRANSMISSION POSITION INDICATOR LIGHT, E82 ...	2460.10-02
SUN BLIND MOTOR, M74	5146.0-00	TRANSMISSION POSITION INDICATOR LIGHT, E82 ...	2460.10-07



INDEX

TRANSMISSION POSITION INDICATOR LIGHT, E82	2460.7-02
TRANSMISSION VALVE UNIT, Y8505w	2460.10-01
TRANSMISSION VALVE UNIT, Y8505w	2460.10-06
TRANSMISSION VALVE UNIT, Y8505w	2460.7-01
TRANSMITTER MODULE (EWS II), A835	6135.0-04
TRUNK LID LIGHT, E33	6320.0-03
TRUNK LID LIGHT, LEFT, E9033	6320.0-03
TRUNK LID LIGHT, RIGHT, E9133	6320.0-03
TRUNK LID LOCKING SWITCH, S117	5126.0-02
TRUNK LID SWITCH, S61	6320.0-03
TRUNK LOCK MOTOR, M17	5126.0-03
TURN LIGHT, LEFT FRONT, H7	6313.0-02
TURN LIGHT, LEFT REAR, H6	6313.0-02
TURN LIGHT, RIGHT FRONT, H4	6313.0-02
TURN LIGHT, RIGHT REAR, H5	6313.0-02
TURN/HAZARD LIGHTS	6313.0
UNDERHOOD LIGHT SWITCH, S19	6314.0-04
UNDERHOOD LIGHT, E20	6314.0-04
UNLOADER RELAY, TERMINAL 15, K9	0670.2-06
UNLOADER RELAY, TERMINAL 61, K61	1230.0-00
UNLOADER RELAY, TERMINAL R, K3	0670.2-06
UPPER LEFT TAIL LIGHT, H9025	6314.0-01
UPPER RIGHT TAIL LIGHT, H9030	6314.0-01
VALVE RELAY (ABS/ASC), K95	3450.0-01
VALVE RELAY (ABS/ASC), K95	3450.5-07
VEHICLE SPEED SENSOR, B10	6210.0-09
VENTILATION FLAP MOTOR, LEFT, M38	6450.0-09
VENTILATION FLAP MOTOR, RIGHT, M33	6450.0-08
WASHER FLUID LEVEL SWITCH, S136	6210.0-08
WASHER FLUID LEVEL SWITCH, S64	6210.0-08
WASHER JET HEATER, LEFT, E51	6169.0-00
WASHER JET HEATER, RIGHT, E52	6169.0-00

WASHER PUMP RELAY, K5	6160.0-02
WASHER PUMP, M4	6160.0-02
WATER PUMP IN LUGGAGE COMPARTMENT, M86	6167.0-02
WATER VALVE ASSEMBLY, Y4	6450.0-02
WINDOW LIMIT SWITCH, LEFT REAR, S45	5133.0-04
WINDOW LIMIT SWITCH, RIGHT REAR, S46	5133.0-04
WINDOW MONITORING SWITCH (DWA), PASSENGER'S, S99	6575.3-07
WINDOW MONITORING SWITCH (DWA), RIGHT REAR, S101	6575.3-07
WINDOW MONITORING SWITCH (DWA), DRIVER'S, S100	6575.3-07
WINDOW MONITORING SWITCH (DWA), LEFT REAR, S102	6575.3-07
WINDOW MOTOR, LEFT REAR, M20	5133.0-04
WINDOW MOTOR, RIGHT REAR, M22	5133.0-04
WINDOW SWITCH, PASSENGER'S, S97	5133.0-02
WINDOW SWITCH, S40z	5126.0-02
WINDOW SWITCH, S40z	5133.0-00
WINDSHIELD WASHER JET HEATERS	6169.0
WIPER MOTOR, M3	6160.0-01
WIPER PRESSURE CONTROL (ADV) RELAY, K12	6164.0-01
WIPER PRESSURE CONTROL MOTOR (ADV), M6	6164.0-01
WIPER RELAY I, K36	6160.0-01
WIPER RELAY II, K37	6160.0-01
WIPER RELAY III, K38	6160.0-01
WIPER/WASHER SWITCH, S5	6160.0-00
ZKE CENTRAL LOCKING (ZV)	5126.0
ZKE DOOR LOCK HEATING (TSH)	5120.0
ZKE HEADLIGHT WASHER (SRA)	6167.0
ZKE INTERIOR LIGHTS CONTROL (IB)	6330.0
ZKE POWER WINDOWS (FH)	5133.0



INDEX

ZKE SUNROOF (SHD)	5410.0
ZKE WINDSHIELD WIPER PRESSURE CONTROL (ADV)	6164.0
ZKE WIPER/WASHER CONTROL	6160.0

Schematics

The schematics divide the entire vehicle electrical system into individual circuits. Interacting electrical components are shown on one common schematic.

Switches and other components are represented in such a way that their general layout and function are self-explicit. They are arranged on the sheet such that the current path can be followed from positive (top) to negative (bottom).

Important: The components and wires are not drawn to scale. For instance, a lead with a length of over 1m can be shown as a lead that is only a few cm long. To ensure clear arrangement, all connectors, lines branches and connected components from the fuses to the component and from the component to ground connection are not shown within the individual cells. If required, reference can be made to cells **0670.3 Fuse Details** and **0670.4 Ground Distribution** where all lines are illustrated with all plug connections, line branches and connected components.

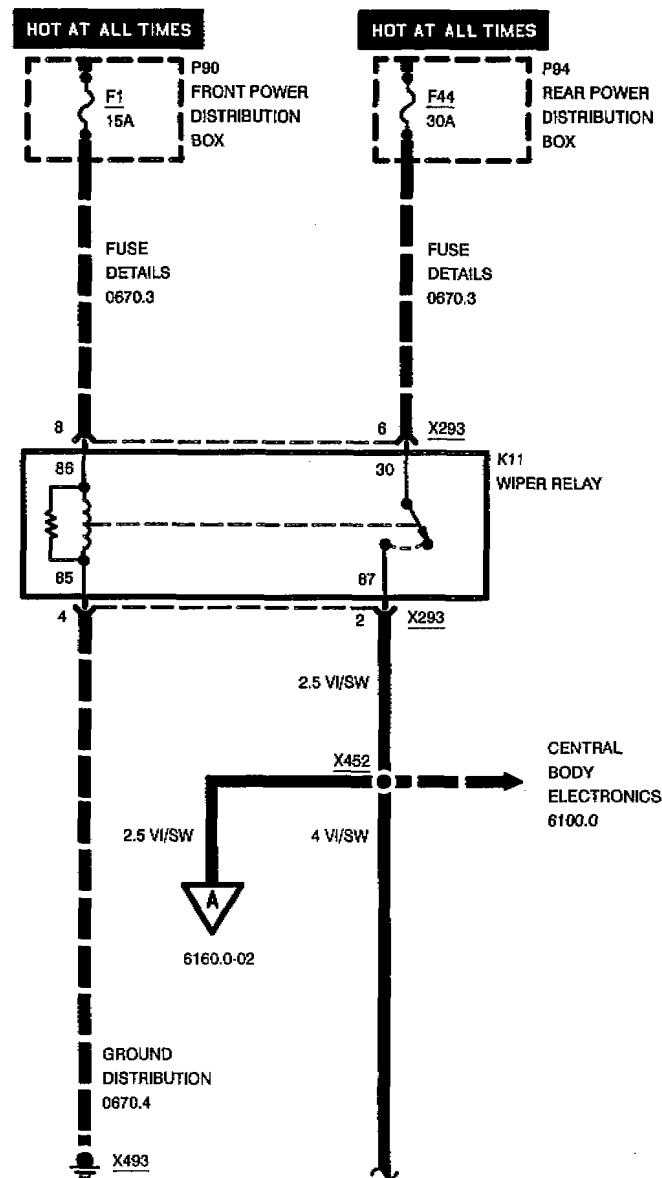
All circuit symbols used are listed and explained in cell **0140.0 Symbols**.

In cell **7000.0 Component Location Chart** all important connectors, ground points and components are listed in tabular form. It provides a precise description of the component locations in the vehicle.

In cell **7100.0 Component Location Views** the location of connectors and components which are difficult to locate are shown in line arts or illustrations. In cell **8500.0 Connector Views** diagrams of connectors with more than 2 pins are illustrated.

Example

General conventions can be explained based on the following schematic example.





INTRODUCTION

General Conventions

1. Switches and relays are always shown in rest position (e.g. K11).
2. A component shown in a dashed frame signifies that the component is illustrated only in part (e.g. P90 and P91).
3. A component shown in a completely drawn frame signifies that the component is illustrated in full (e.g. K11).
4. The dashed line between pin 8 and pin 6 of connector X293 indicates that both pins belong to connector X293.
5. The dashed line from fuse F1 to pin 8 of connector X293 shows the positive supply of relay K11. If required, refer to cell **0670.3 Fuse Details** at fuse F1 for the complete line progressing with plug connections, line branches, wire colors and cross sections.
6. The dashed line with an arrow at splice X452 indicates that several wires lead to splice X452. All lines leading to the connection are illustrated in cell **6100.0 Central Body Electronics (ZKE)**. An interrupted line with an arrow indicates that only this one wire leads to another circuit.
7. The dashed line from pin 4 of connector X293 to ground X493 shows the ground supply for relay K11. If required, refer to cell **0670.4 Ground Distribution** at ground X493 for the complete line progression with all plug connections, line branches, wire colors and cross sections.
8. The interrupted line from splice X452 with an **A** in the open arrow is continued on page 6160.0-02. Termination of wire 4 VI/SW from splice X452 with a wavy line indicates that the wire is continued on the opposite page.



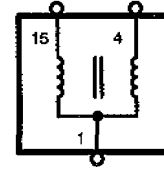
BATTERY



HEATING ELEMENT



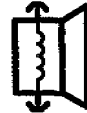
VARIABLE RESISTANCE SENSOR
VARIABLE CONTACT IS MOVED BY AN EXTERNAL FORCE



IGNITION COIL



FUSE



LOUDSPEAKER OR HORN



VARIABLE RESISTOR
RESISTANCE IS CHANGED BY TEMPERATURE OR PRESSURE



CONTROL/POWER ELECTRONICS



FUSIBLE LINK



LIGHT



INDUCTIVE SENSOR



RADIO



DIODE CURRENT CAN FLOW ONLY IN DIRECTION OF ARROW



TRANSISTORIZED SWITCH



CIRCUIT BREAKER



PERMANENT MAGNET MOTOR ONE SPEED



ZENER DIODE TO REGULATE VOLTAGE



OXYGEN SENSOR



SOLENOID



PERMANENT MAGNET MOTOR TWO SPEEDS



LIGHT EMITTING DIODE



VEHICLE SPEED SENSOR



SOLENOID CONTROLLED VALVE OR CLUTCH SOLENOID



KNOCK SENSOR



THERMO SWITCH

SYMBOLS



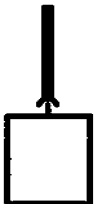
ENTIRE COM-
PONENT SHOWN



PART OF COM-
PONENT SHOWN



COMPONENT WITH
SCREW TERMI-
NALS



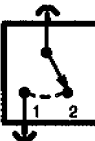
CONNECTOR
ATTACHED TO
COMPONENT



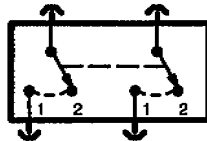
CONNECTOR
ATTACHED TO
COMPONENT
LEAD (PIGTAIL)



COMPONENT
CASE ATTACHED
DIRECTLY TO
METAL PART OF
CAR (GROUNDED)



ONE POLE, TWO
POSITION SWITCH

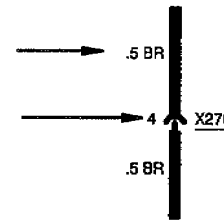


SWITCHES THAT
MOVE TOGETHER

DASHED LINE
SHOWS A
MECHANICAL
CONNECTION
BETWEEN
SWITCHES

WIRE COLOR	
BL	BLUE
BR	BROWN
GE	YELLOW
GN	GREEN
GR	GRAY
OR	ORANGE
RS	PINK
RT	RED
SW	BLACK
VI	VIOLET
WS	WHITE
TR	TRANSPARENT

WIRE INSULATION
IS ONE COLOR



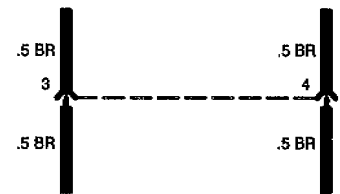
PIN NUMBER

CONNECTOR REF-
ERENCE NUMBER
FOR COMPONENT
LOCATION CHART

WIRE INSULATION
IS ONE COLOR
WITH ANOTHER
COLOR STRIPE
(GREEN WITH
WHITE)



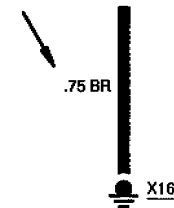
A WAVY LINE
MEANS WIRE IS
CONTINUED



TWO CONNE-
CTIONS (PINS) IN
THE SAME
CONNECTOR

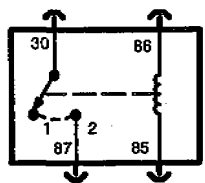
DASHED LINE INDI-
CATES TERMINALS
OF THE SAME
CONNECTOR

WIRE SIZE IN MM
SQUARED

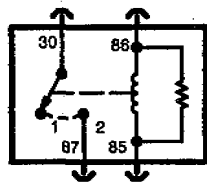


WIRE ATTACHED
TO METAL PART OF
CAR (GROUNDED)

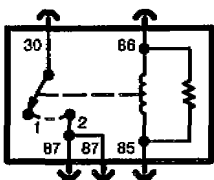
GROUND NUM-
BERED FOR REF-
ERENCE ON COM-
PONENT LOCA-
TION CHART



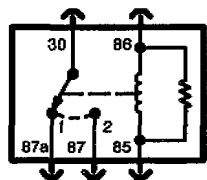
CONTACT RELAY



RELAY WITH RESISTOR ACROSS WINDING

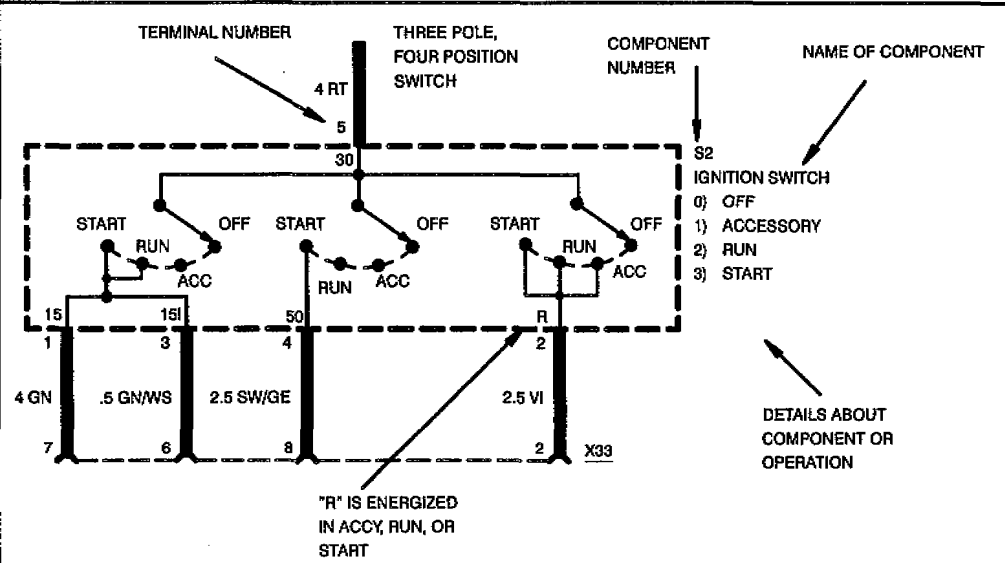


CONTACT RELAY WITH TWO OUTPUTS



CHANGEOVER RELAY WITH TWO OUTPUTS

TERMINAL NUMBER	DESCRIPTION
30	RELAY INPUT
85	RELAY OUTPUT (WINDING)
86	RELAY INPUT (WINDING)
87	RELAY OUTPUT (ENERGIZED)
87a	RELAY OUTPUT (AT REST)



TERMINAL NUMBER	DESCRIPTION	TERMINAL NUMBER	DESCRIPTION
50	VOLTAGE: IGNITION SWITCH IN START	15I	VOLTAGE: IGNITION SWITCH IN RUN
30	VOLTAGE: SUPPLIED AT ALL TIMES	R	VOLTAGE: IGNITION SWITCH IN ACCESSORY, RUN OR START
15	VOLTAGE: IGNITION SWITCH IN RUN OR START	31	GROUND

HOT AT ALL TIMES

HOT AT ALL TIMES

HOT IN RUN AND START

HOT IN ACCY, RUN AND START

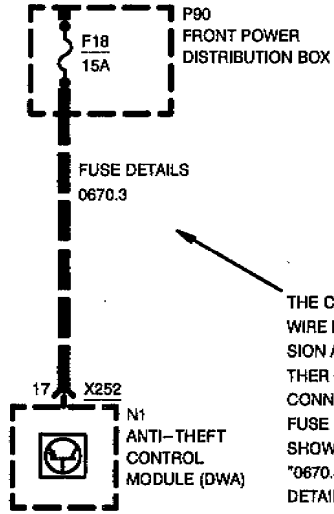
INDICATES THAT FUSE 9 IS SUPPLIED WITH POWER AT ALL TIMES

POWER STATUS	DESCRIPTION
HOT AT ALL TIMES	VOLTAGE: SUPPLIED AT ALL TIMES
HOT IN RUN AND START	VOLTAGE: IGNITION SWITCH IN RUN OR START
HOT IN ACCY, RUN AND START	VOLTAGE: IGNITION SWITCH IN ACCESSORY, RUN OR START

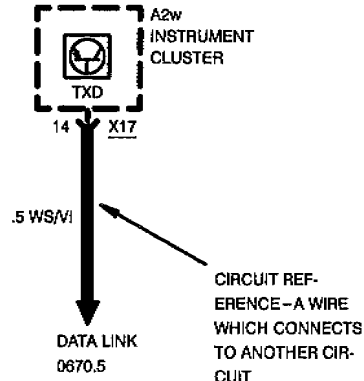


SYMBOLS

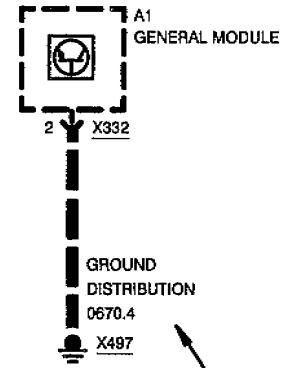
HOT IN ACCY, RUN AND START



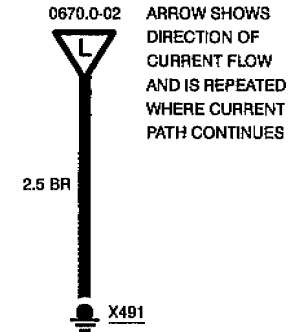
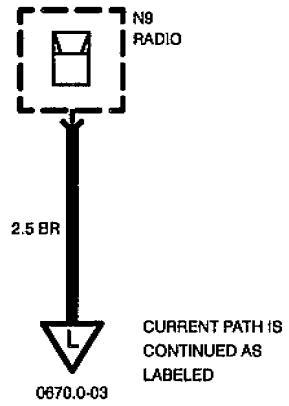
THE COMPLETE WIRE PROGRESSION AND FURTHER CIRCUITS CONNECTED TO FUSE 18 ARE SHOWN IN CELL "0670.3 FUSE DETAILS" AT FUSE 18



CIRCUIT REFERENCE - A WIRE WHICH CONNECTS TO ANOTHER CIRCUIT



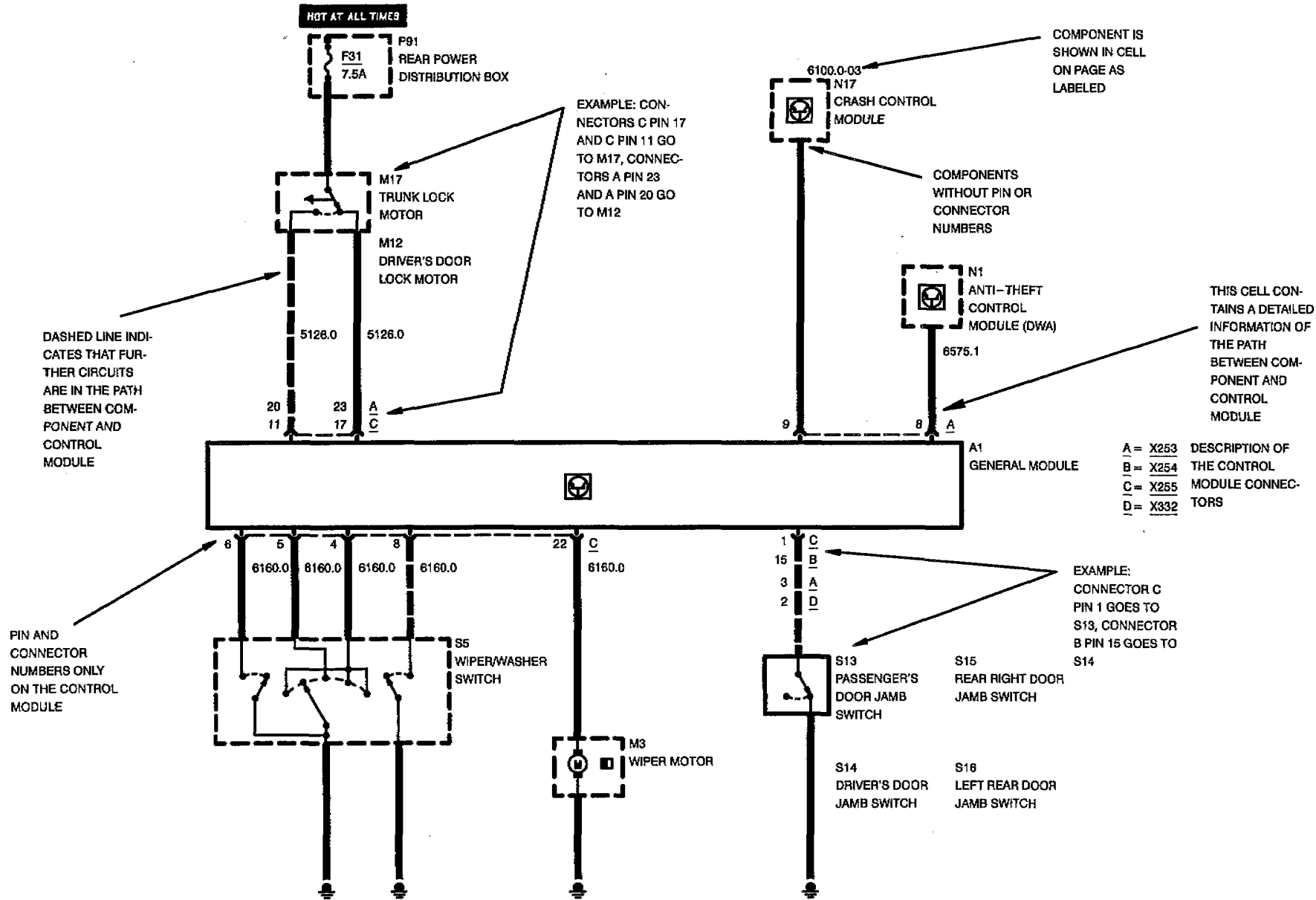
THE COMPLETE WIRE PROGRESSION AND FURTHER CIRCUITS CONNECTED TO GROUND X497 ARE SHOWN IN CELL "0670.4 GROUND DISTRIBUTION" AT GROUND X497





SYMBOLS

BLOCK DIAGRAM



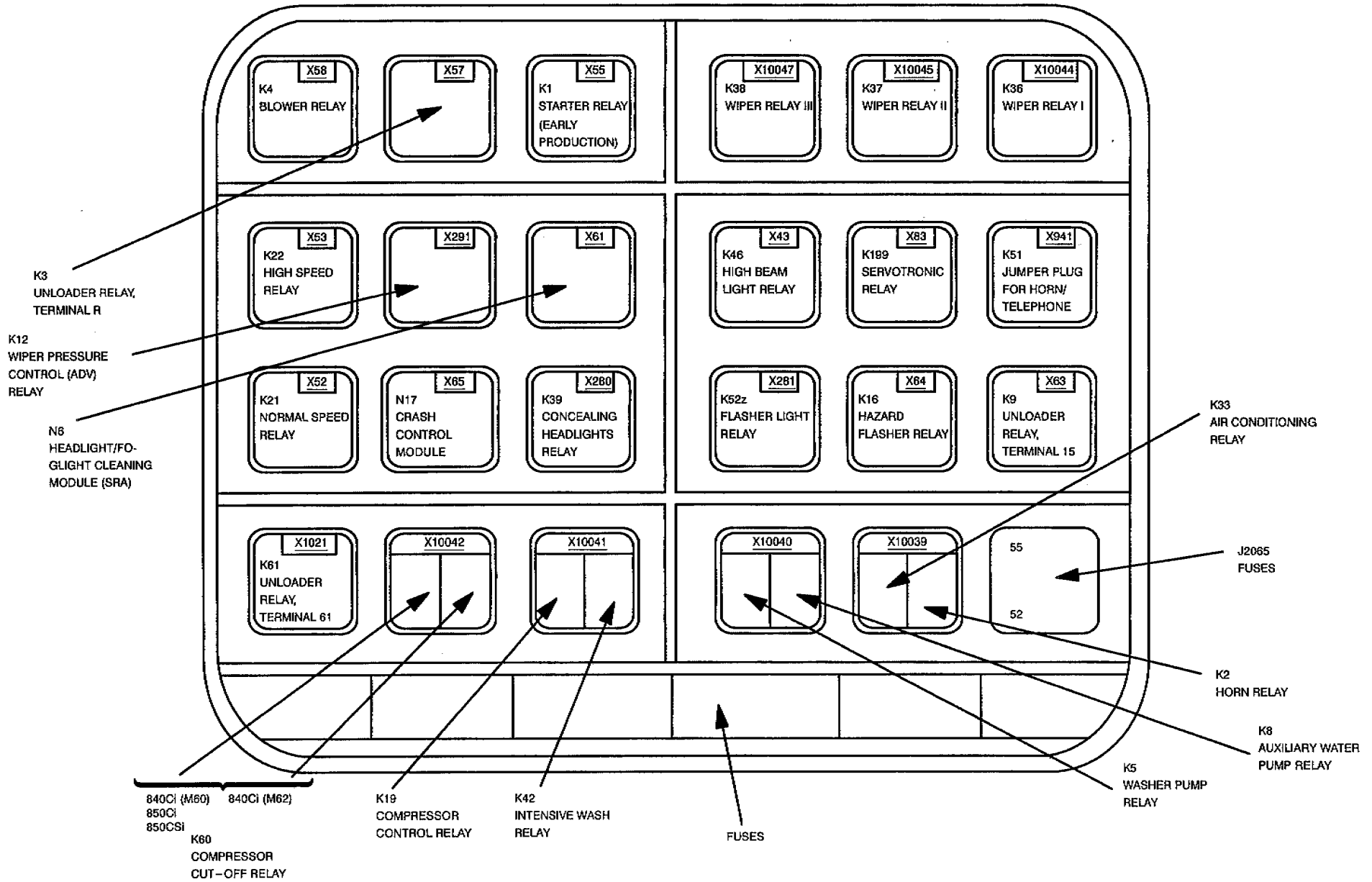
BMW
8

0670.0



POWER DISTRIBUTION CHART

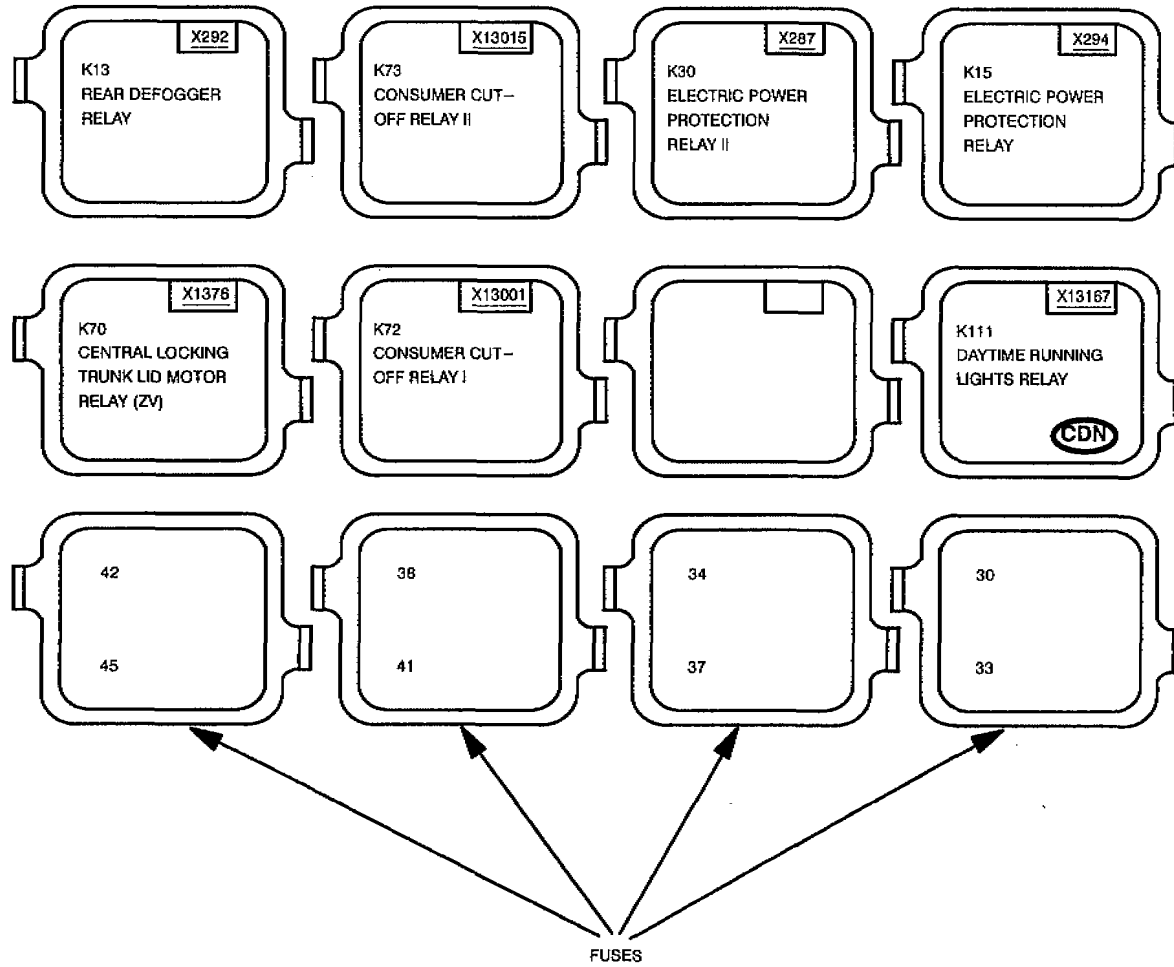
FRONT POWER DISTRIBUTION BOX





POWER DISTRIBUTION CHART

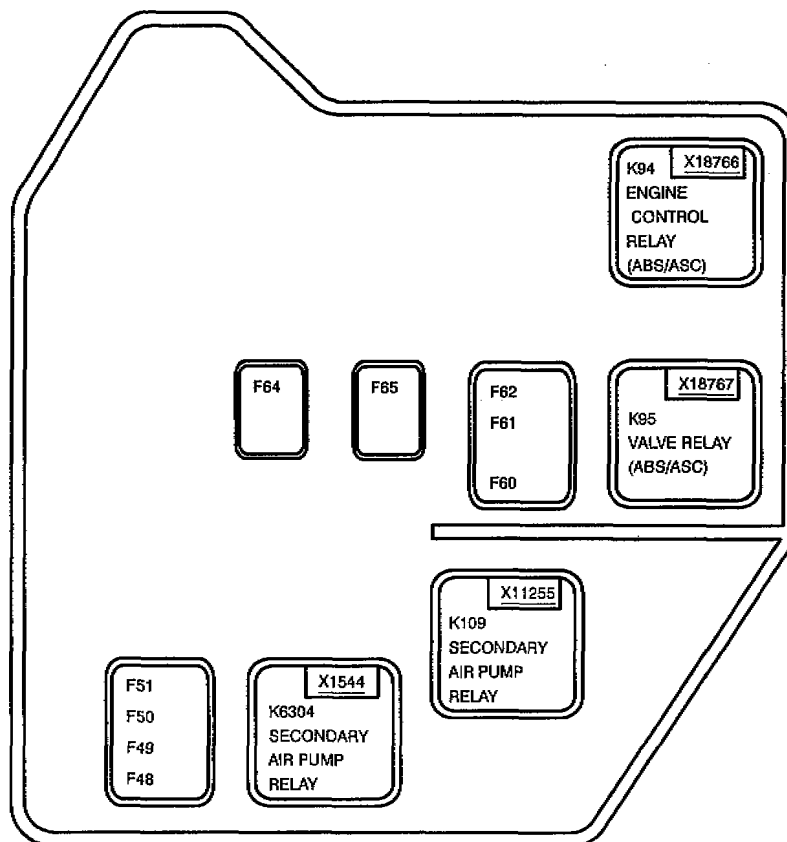
REAR POWER DISTRIBUTION BOX





POWER DISTRIBUTION CHART

AUXILIARY RELAY BOX – ENGINE COMPARTMENT



BMW
8

0670.1



FUSE CHART

CELLS OVERVIEW

0670.5	DATA LINK
	F8, F28, F31, F81
1210.6	ENGINE CONTROL SYSTEM (DME M1.7, 12-CYLINDER M70)
	F23, F24, F28
1210.11	ENGINE CONTROL SYSTEM (DME M3.3, 8-CYLINDER M60)
	F23
1210.18	ENGINE CONTROL SYSTEM (DME M5.2, 12-CYLINDER M73)
	F64, F70, F71
1210.22	ENGINE CONTROL SYSTEM (DME M5.2, 8-CYLINDER M62)
	F23, F25, F70
1230.0	CHARGING SYSTEM
	F17, F28
1240.0	START
	F1, F12, F17
1270.1	ELECTRONIC THROTTLE CONTROL (EML 12-CYLINDER)
	F1, F8
1270.2	ELECTRONIC THROTTLE CONTROL (EML IIS, 12-CYLINDER)
	F8
1290.0	E-BOX FAN

FUSES OVERVIEW

F1	1240.0, 1270.1, 6135.0, 6160.0, 6211.0, 6412.2, 6450.0
7.5A	
F2	6167.0, 6300.0, 6301.0, 6312.0, 6314.0, 6320.0, 6332.0
7.5A	
F3	6300.0, 6301.0, 6312.0, 6313.0, 6314.0, 6320.0, 6325.0, 6332.0
7.5A	
F4	6300.0, 6301.0, 6314.0, 6320.0, 6332.0
7.5A	
F5	6300.0, 6301.0, 6312.0, 6314.0, 6320.0, 6332.0
10A	
F6	6313.0, 6350.0
15A	
F7	6301.0, 6312.0
30A	
F8	1270.1, 1270.2, 2460.7, 2460.10, 3450.0, 3450.5, 6301.0, 6325.0, 6571.0
7.5A	
F9	6133.0, 6164.0, 6301.0, 6312.0, 6561.0
20A	
F10	6301.0, 6312.0
7.5A	
F11	6301.0, 6312.0
7.5A	
F12	1240.0, 2460.7, 2460.10, 5116.0, 5200.1, 6135.0, 6169.0, 6210.0, 6211.0, 6571.0
15A	
F13	6312.0
7.5A	
F14	6312.0
7.5A	
F15	5410.0, 6100.0, 6160.0, 6164.0, 6167.0, 6330.0
10A	



FUSE CHART

CELLS OVERVIEW

2460.7	ELECTRONIC TRANSMISSION CONTROL (EGS: GS 9.20/A5S 560Z)
	F8, F12, F17
2460.10	ELECTRONIC TRANSMISSION CONTROL (EGS: GS 9.22/AS5 560Z)
	F8, F12, F17, F18, F33, F60
3231.0	ELECTRIC STEERING COLUMN ADJUSTMENT
	F40
3231.1	STEERING COLUMN MEMORY (LSM)
	F16, F18, F40
3234.0	SUPPLEMENTAL RESTRAINT SYSTEM (AIR BAG)
	F53, F54
3240.0	POWER ASSIST STEERING (SERVOTRONIC)
	F28
3450.0	SLIP CONTROL (ABS)
	F8, F17
3450.5	SLIP CONTROL 5 (ASC 5)
	F8, F17, F60, F62, F65
3715.2	ELECTRONIC SHOCK ABSORBER CONTROL (EDC III+)
	F29, F32
3715.3	ELECTRONIC SHOCK ABSORBER CONTROL (EDC IV)
	F29, F32

FUSES OVERVIEW

F16	3231.1, 5200.1, 5203.0
20A	
F17	1230.0, 1240.0, 2460.7, 2460.10, 3450.0, 3450.5, 5116.0, 5200.1, 6210.0, 6211.0,
7.5A	6322.0, 6581.0, 6575.3
F18	2460.10, 3231.1, 5116.0, 5146.0, 5200.1, 6332.0, 6510.1, 6561.0, 6581.0, 6210.0,
7.5A	6211.0, 6575.3, 6610.1
F19	6412.2, 6450.0
30A	
F20	6301.0, 6312.0
30A	
F21	6412.2, 6424.0, 6450.0
7.5A	
F22	6160.0
30A	
F23	1210.6, 1210.11, 1211.18, 1211.22
15A	
F24	1210.6,
15A	
F25	1210.11, 1210.22, 6454.0
30A	
F26	6312.0
15A	
F27	6167.0
30A	
F28	0670.5, 1210.6, 1230.0, 3240.0
15A	
F29	3715.2, 3715.3, 5133.0, 5410.0, 6100.0, 6160.0, 6164.0, 6167.0, 6450.0, 6454.0
7.5A	
F30	6561.0
15A	



FUSE CHART

CELLS OVERVIEW

5116.0	POWER MIRRORS
	F12, F17, F18
5120.0	ZKE DOOR LOCK HEATING (TSH)
	F43
5126.0	ZKE CENTRAL LOCKING (ZV)
	F31, F33, F34, F42, F43
5133.0	ZKE POWER WINDOWS (FH)
	F29, F31, F33, F34, F42, F43
5146.0	POWER SUN SHADES
	F18, F32
5200.0	POWER SEATS
	F37, F38
5200.1	SEAT/MIRROR MEMORY SYSTEM (SM/SPM)
	F12, F16, F17, F18, F37
5203.0	HEATED SEATS
	F16
5212.0	LUMBAR SUPPORT
	F37, F38
5410.0	ZKE SUNROOF (SHD)
	F15, F29, F31, F33, F34, F42, F43

FUSES OVERVIEW

F31	0670.5, 5126.0, 5133.0, 5410.0, 6100.0, 6160.0, 6210.0, 6211.0, 6575.3, 6581.0,
7.5A	6610.1
F32	3715.2, 3715.3, 5146.0
20A	
F33	2460.10, 5126.0, 5133.0, 5410.0, 6100.0, 6160.0, 6210.0, 6320.0, 6330.0,
7.5A	6332.0
F34	5126.0, 5133.0, 5410.0, 6100.0, 6160.0
30A	
F35	NOT USED
15A	
F36	6510.1
15A	
F37	5200.0, 5200.1, 5212.0
30A	
F38	5200.0, 5212.0
30A	
F39	6332.0
30A	
F40	3231.0, 3231.1
15A	
F41	6424.0
30A	
F42	5126.0, 5133.0, 5410.0, 6100.0, 6160.0
30A	
F43	5120.0, 5126.0, 5133.0, 5410.0, 6100.0, 6160.0, 6330.0
10A	
F45	NOT USED
30A	



FUSE CHART

CELLS OVERVIEW

6100.0	CENTRAL BODY ELECTRONICS (ZKE II)
	F15, F29, F31, F33, F34, F42, F43
6133.0	HORN
	F9
6135.0	DRIVE-AWAY PROTECTION (EWS II)
	F1, F12, F55
6160.0	ZKE WIPER/WASHER CONTROL
	F1, F15, F22, F29, F31, F33, F34, F42, F43
6164.0	ZKE WINDSHIELD WIPER PRESSURE CONTROL (ADV)
	F9, F15, F29
6167.0	ZKE HEADLIGHT WASHER (SRA)
	F2, F15, F27, F29
6169.0	WINDSHIELD WASHER JET HEATERS
	F12
6210.0	BODY ELECTRONICS MODULE (EKM)
	F12, F17, F18, F31, F33
6211.0	INSTRUMENT CLUSTER
	F1, F12, F17, F18, F31, F55
6300.0	LIGHT SWITCH DETAILS
	F2, F3, F4, F5

FUSES OVERVIEW

F50	NOT USED
10A	
F51	NOT USED
25A	
F54	3234.0
5A	
F55	3234.0, 6135.0, 6211.0
5A	
F60	2460.10, 3450.5
10A	



FUSE CHART

CELLS OVERVIEW

6301.0	LAMP MONITOR (LKM)
	F2, F3, F4, F5, F7, F8, F9, F10, F11
6312.0	HEADLIGHTS/FOG LIGHTS
	F2, F3, F5, F7, F9, F10, F11, F13, F14, F20, F26
6313.0	TURN/HAZARD LIGHTS
	F3, F6
6314.0	PARK/TAIL/UNDERHOOD LIGHTS
	F2, F3, F4, F5
6320.0	LICENSE PLATE/LUGGAGE COMPARTMENT LIGHTS
	F2, F3, F4, F5, F33
6322.0	BACK UP LIGHTS
	F17
6325.0	BRAKE LIGHTS
	F3, F8
6330.0	ZKE INTERIOR LIGHTS CONTROL (IB)
	F15, F33, F43
6332.0	INTERIOR ACCESSORIES
	F2, F3, F4, F5, F18, F33, F39
6350.0	CRASH CONTROL MODULE
	F6

FUSES OVERVIEW

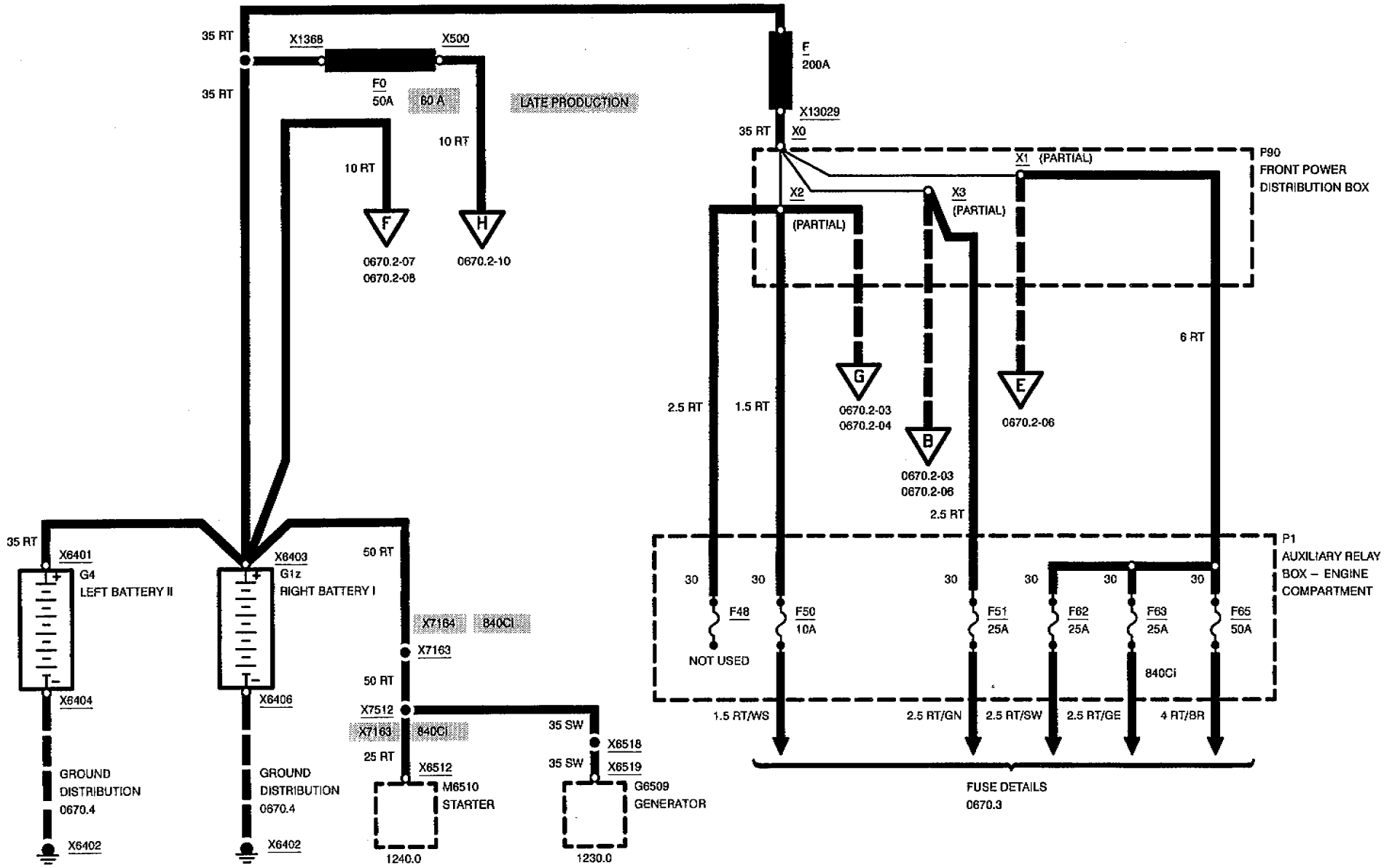
F61	0670.5
5A	
F62	3450.5
25A	
F63	3450.5
25A	
F64	1210.18
50A	
F65	3450.5
50A	
F70	1210.18, 1210.22
20A	
F71	1210.18
20A	



POWER DISTRIBUTION

FRONT POWER DISTRIBUTION BOX

840Ci (M60), 850CSi

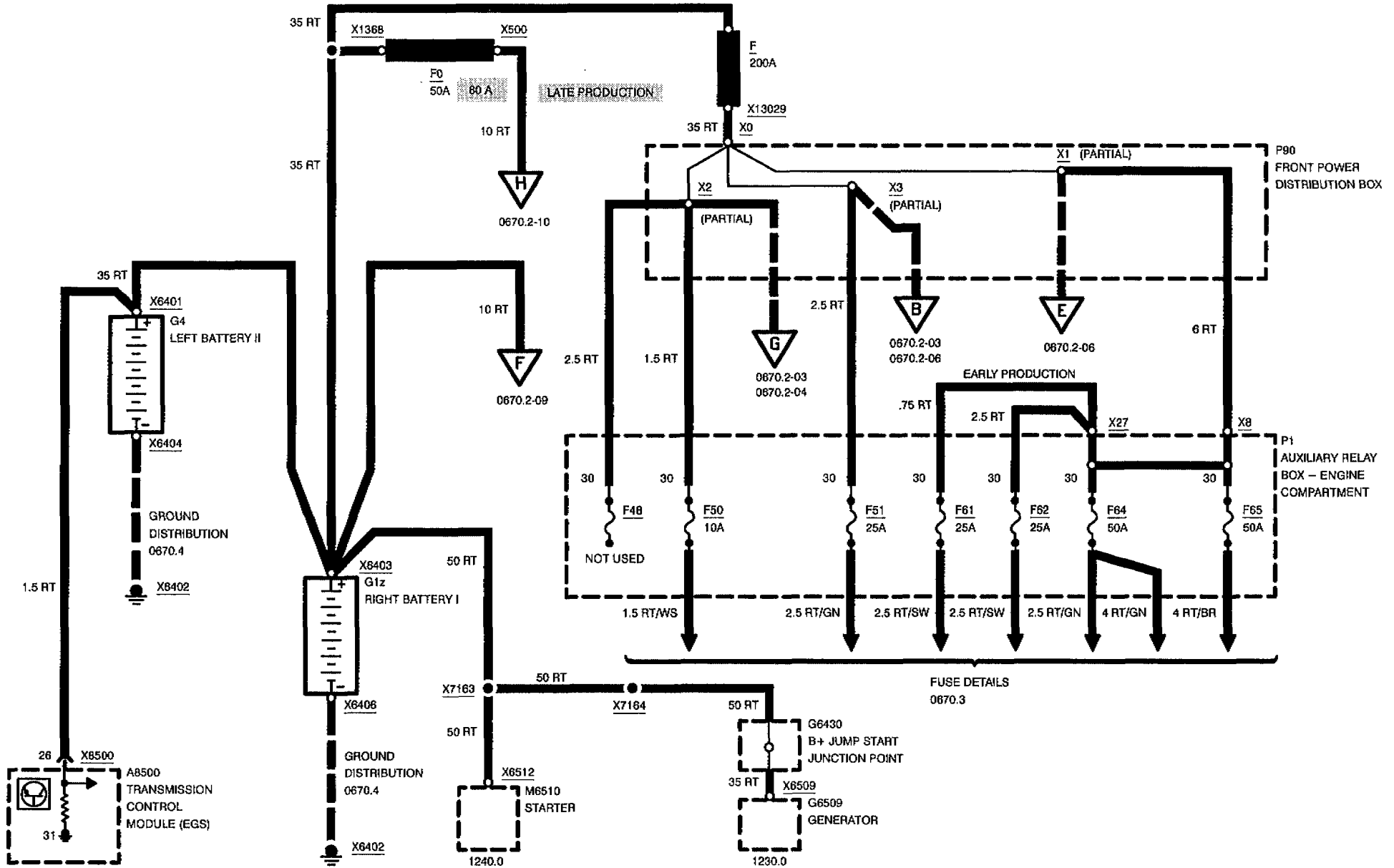




POWER DISTRIBUTION

850Ci

FRONT POWER DISTRIBUTION BOX

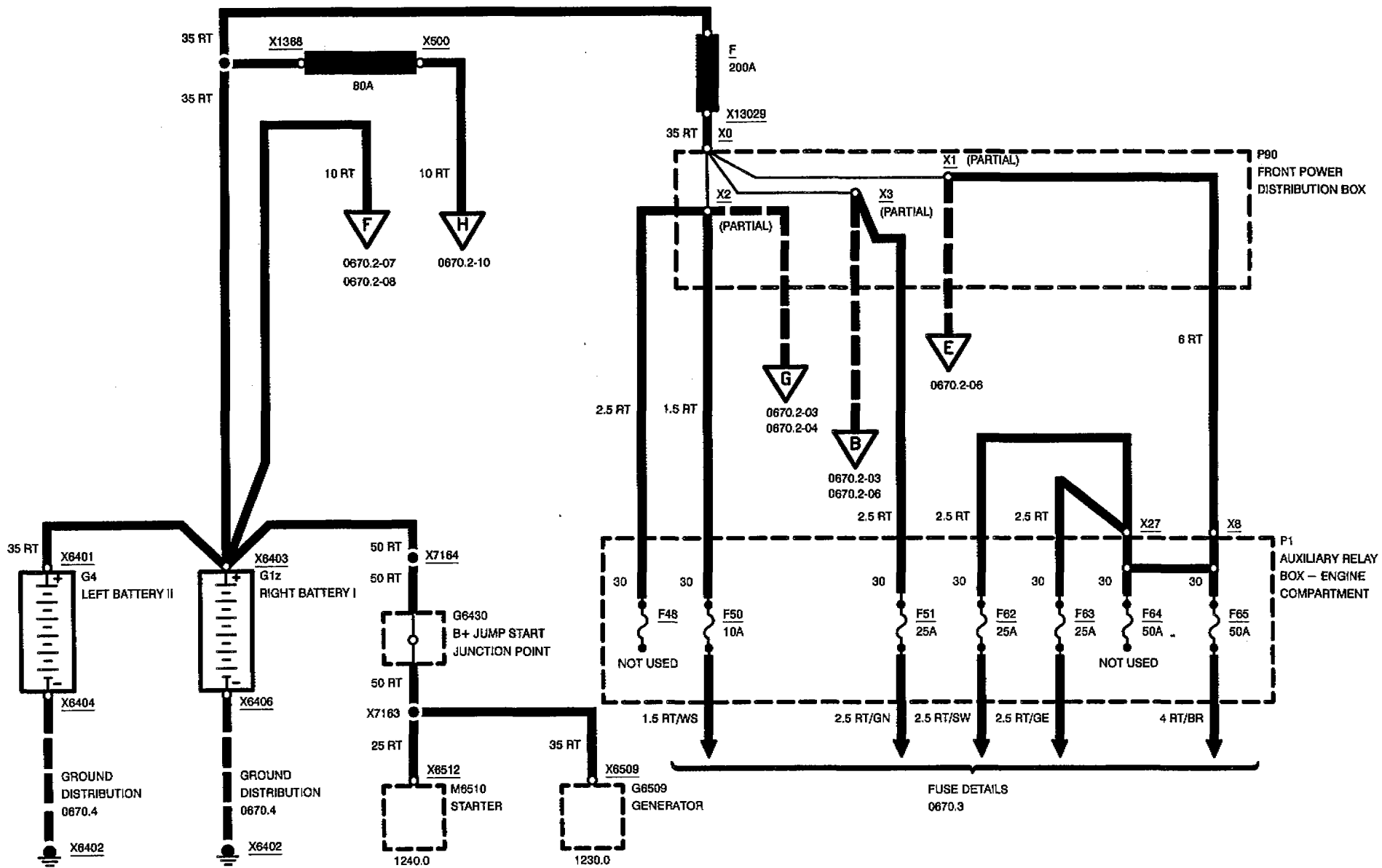




POWER DISTRIBUTION

FRONT POWER DISTRIBUTION BOX

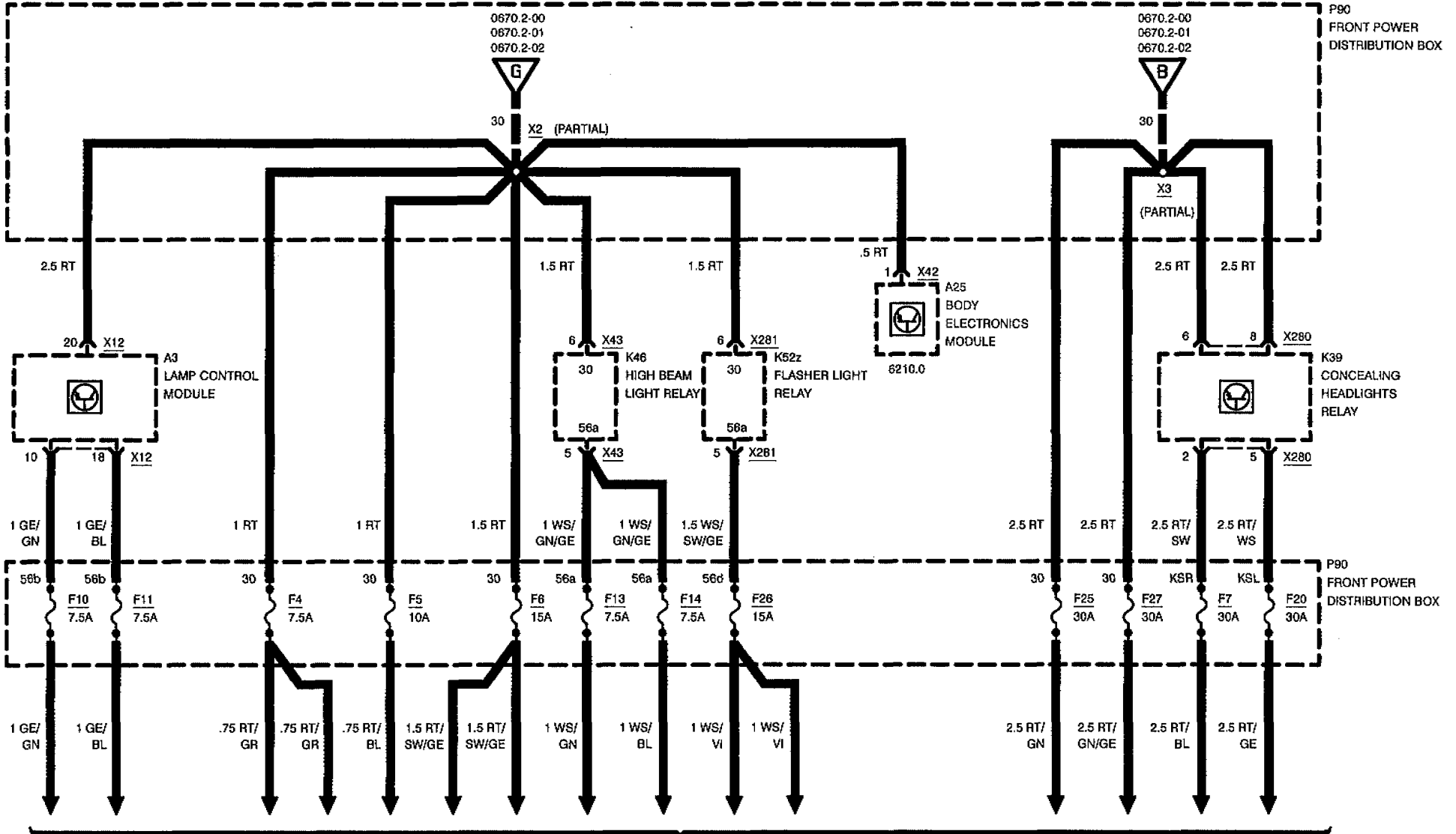
840Ci (M62)





POWER DISTRIBUTION

FRONT POWER DISTRIBUTION BOX

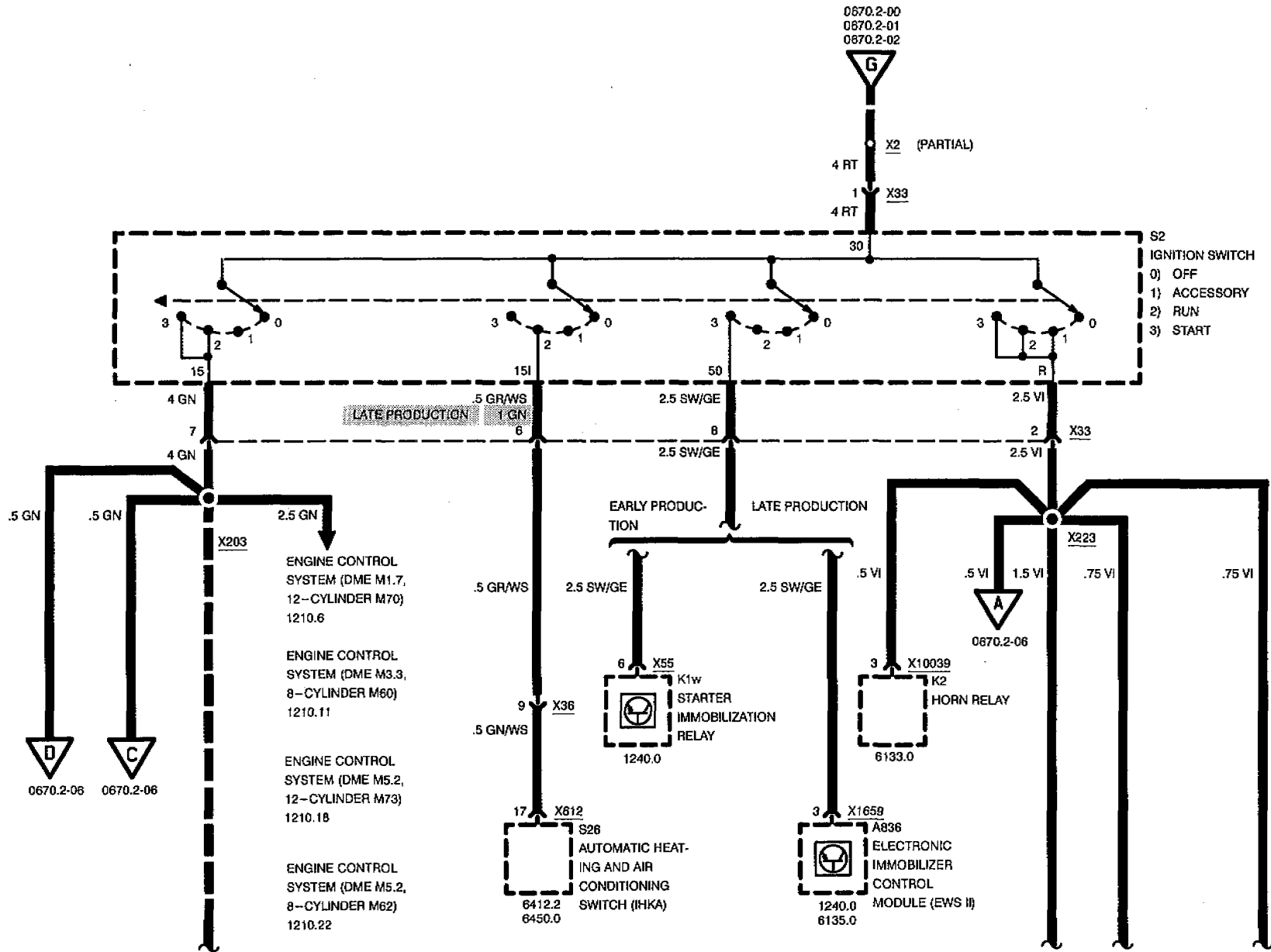


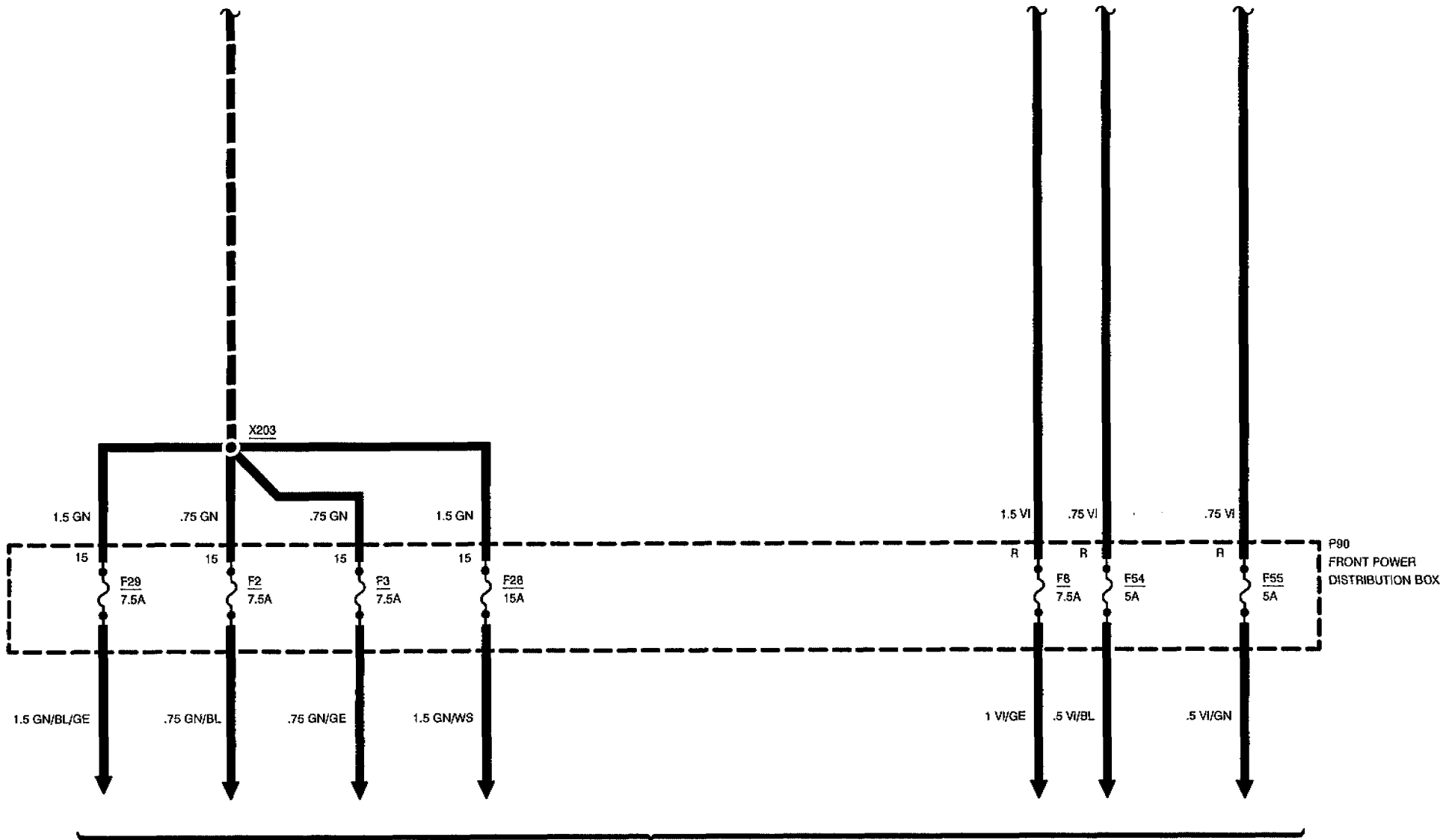
FUSE DETAILS
0670.3



POWER DISTRIBUTION

FRONT POWER DISTRIBUTION BOX



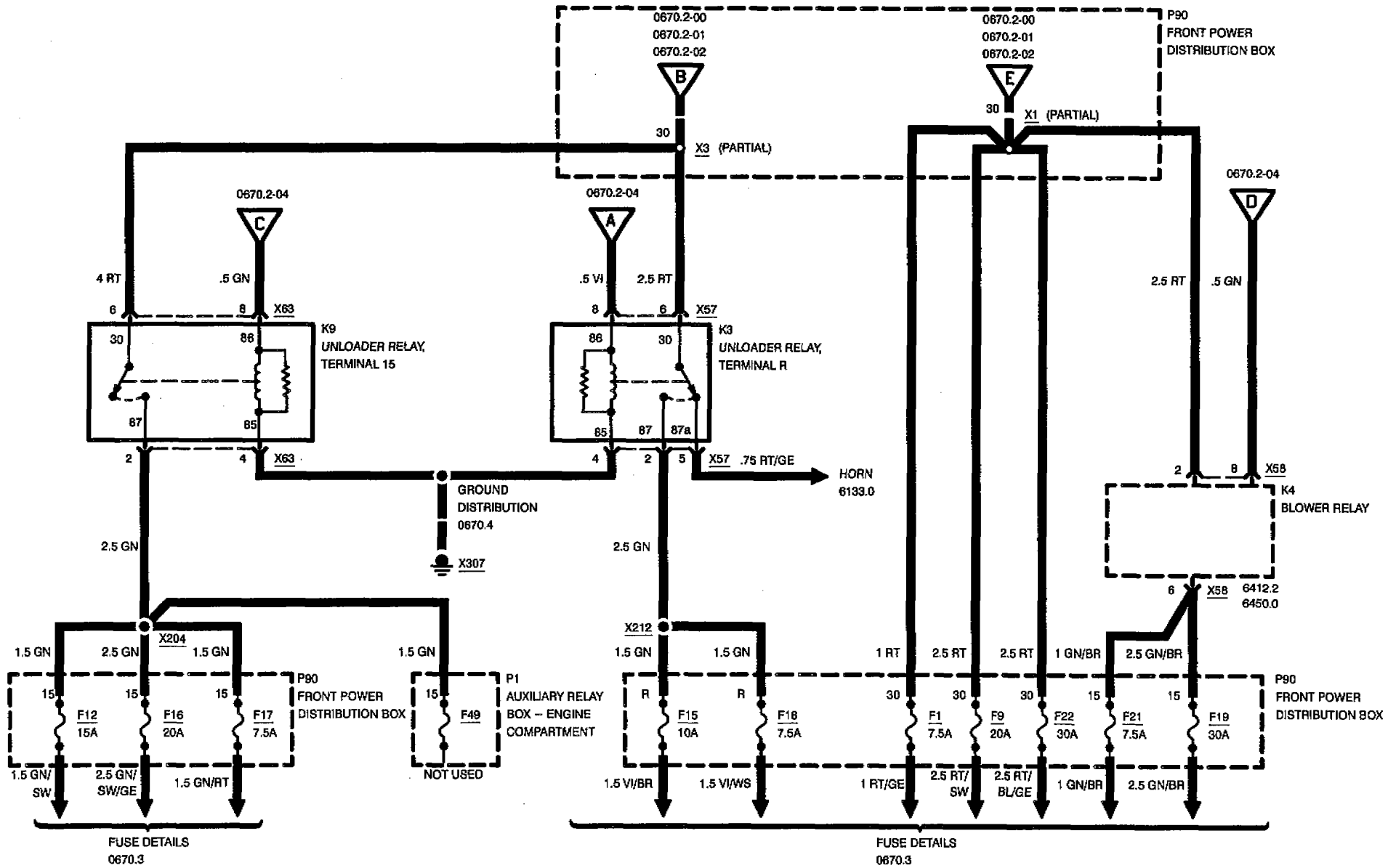


FUSE DETAILS
0670.3



POWER DISTRIBUTION

FRONT POWER DISTRIBUTION BOX



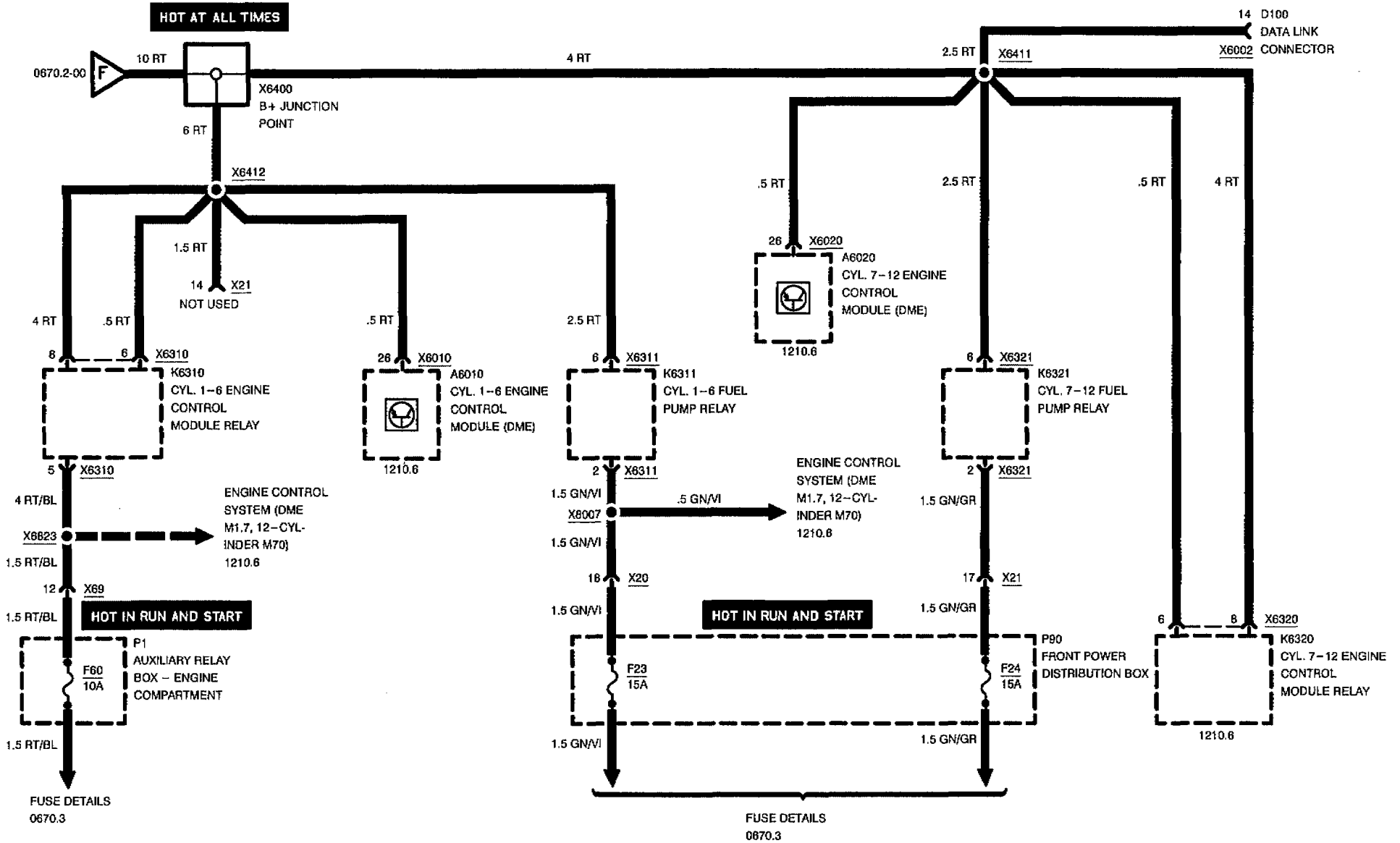
FUSE DETAILS
0670.3

FUSE DETAILS
0670.3



POWER DISTRIBUTION

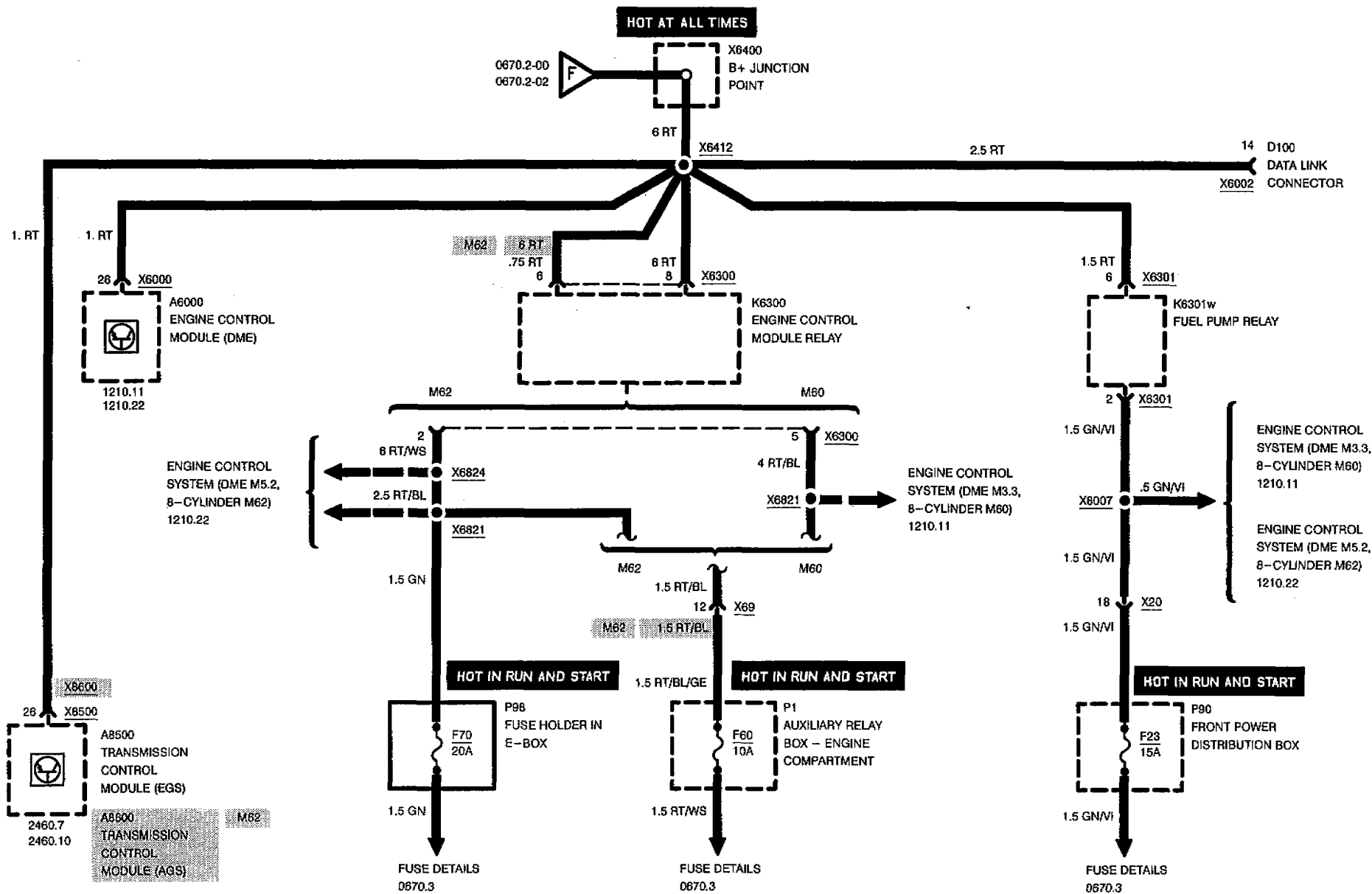
850CSI





POWER DISTRIBUTION

840Ci



02/97

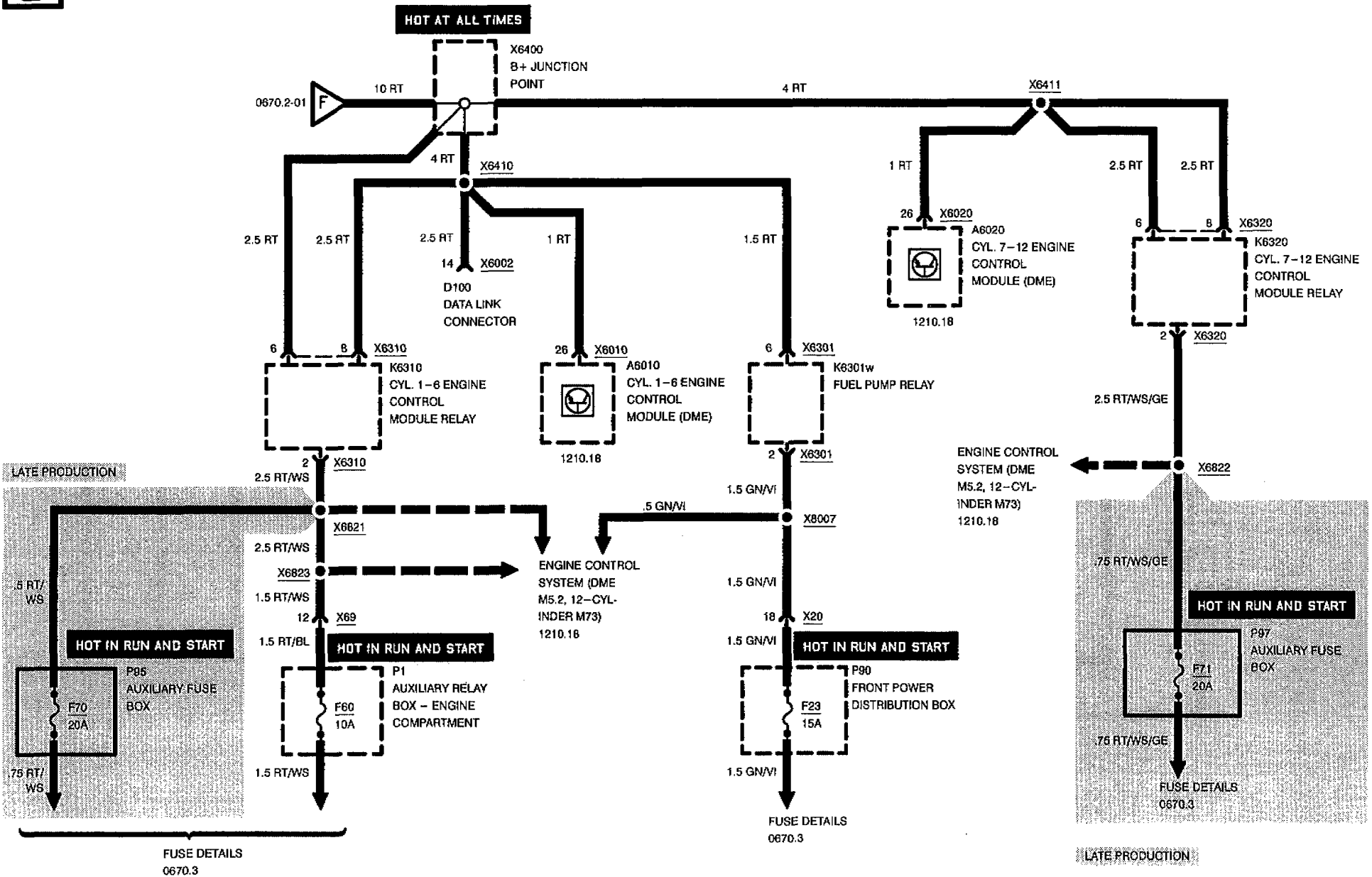
0670.2-08

95/96



POWER DISTRIBUTION

850Ci



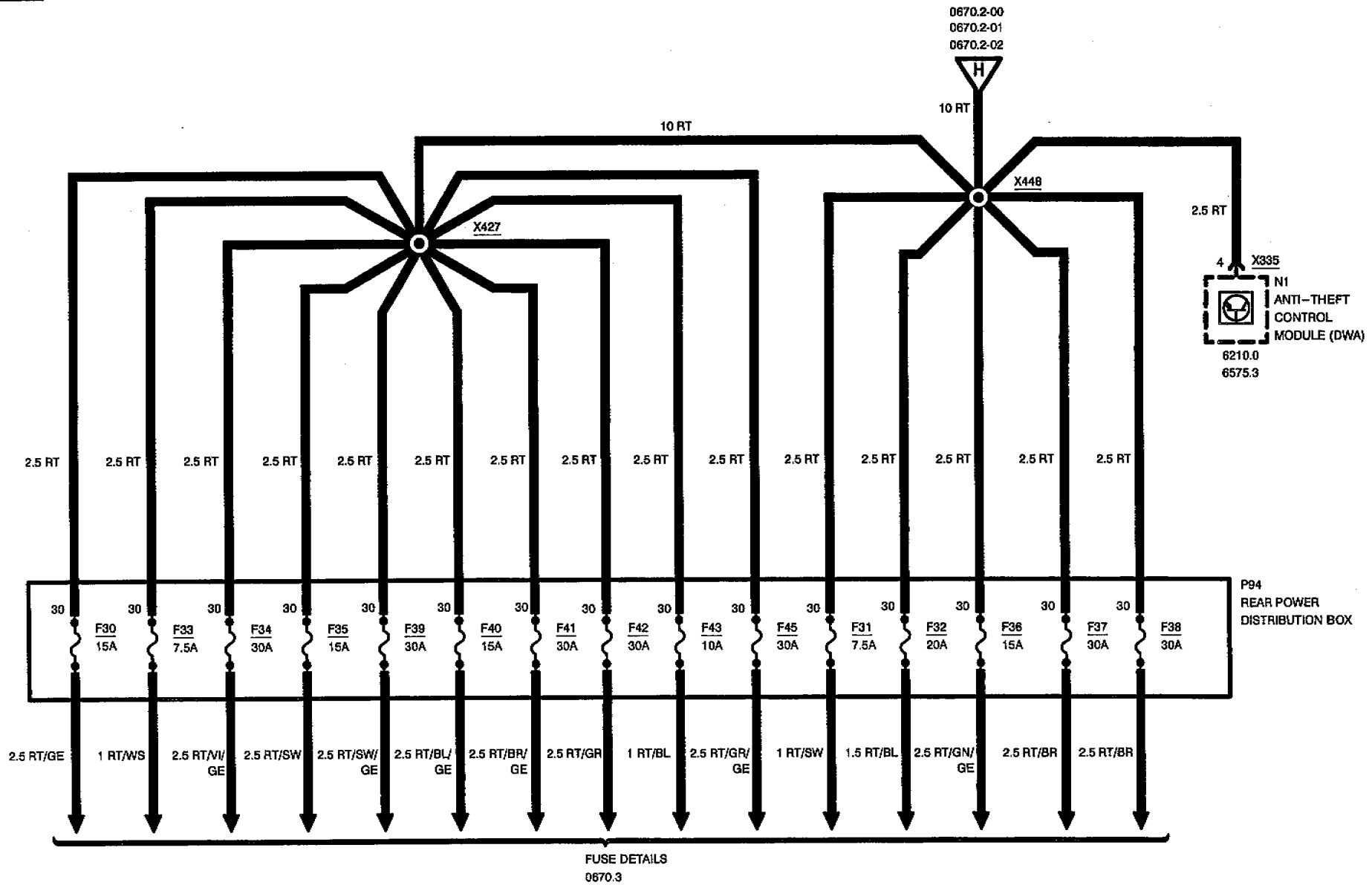
02/97

0670.2-09

95/96



POWER DISTRIBUTION



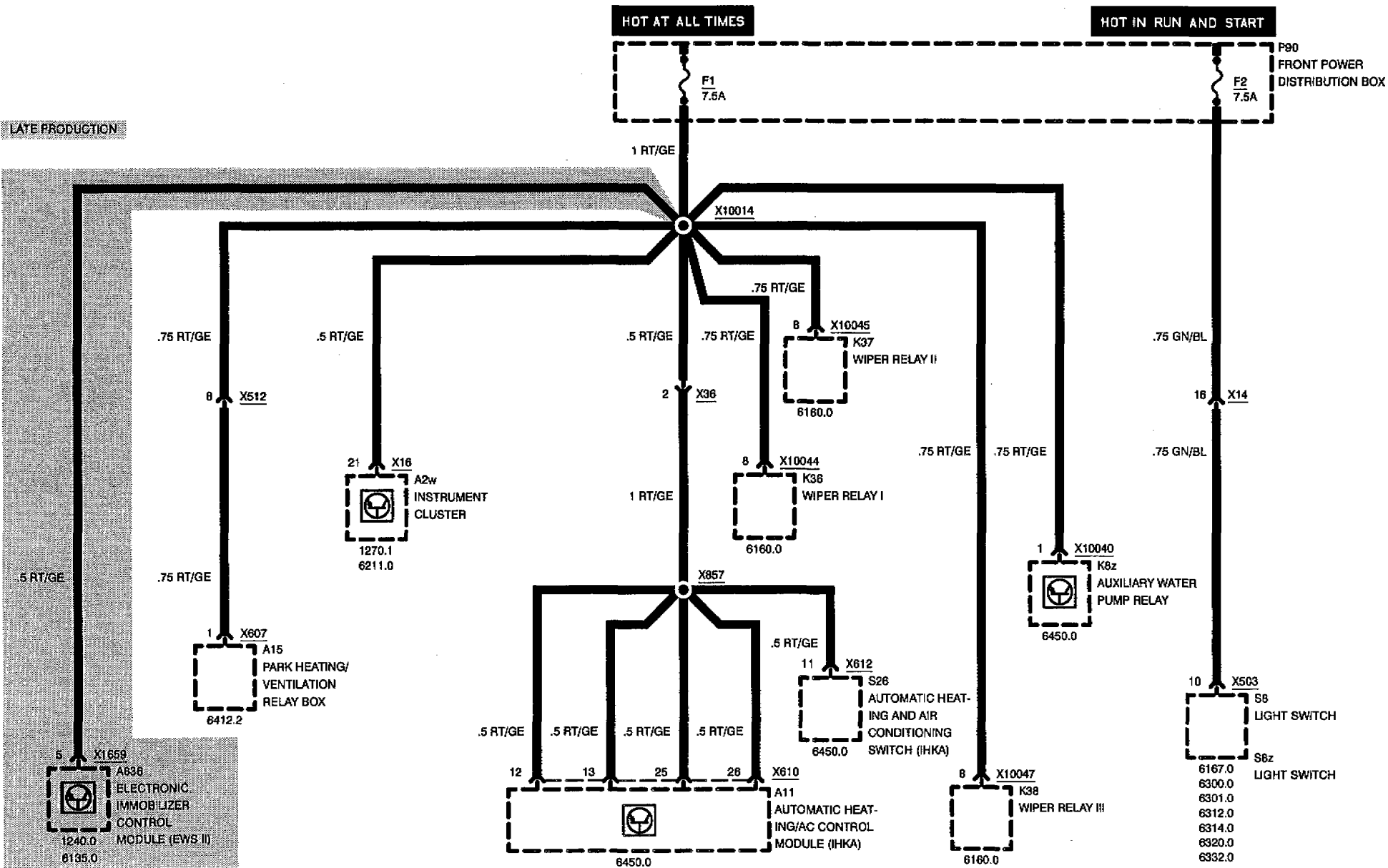




FUSE DETAILS

FUSES 1 AND 2

LATE PRODUCTION



02/97

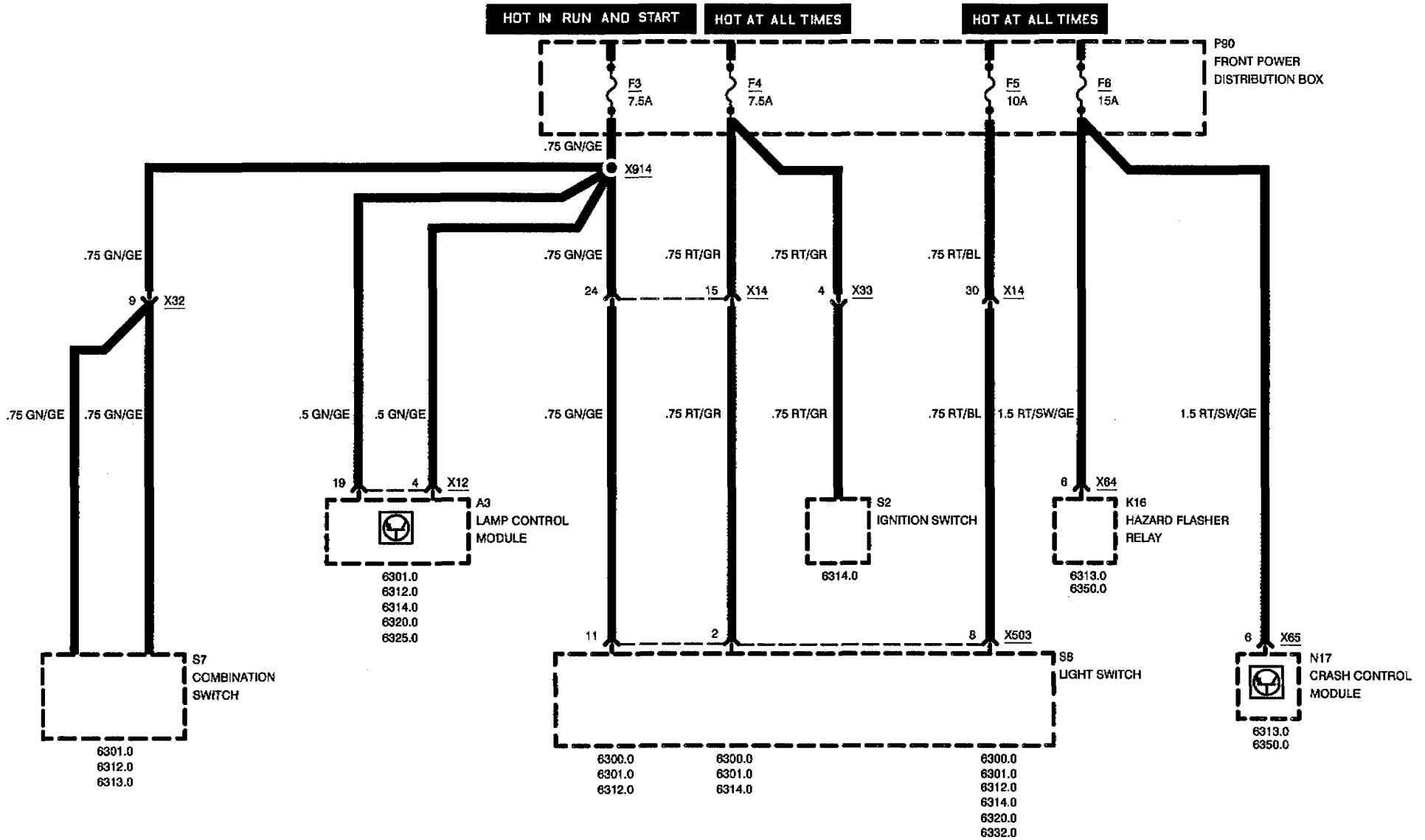
0670.3-00

95/96



FUSE DETAILS

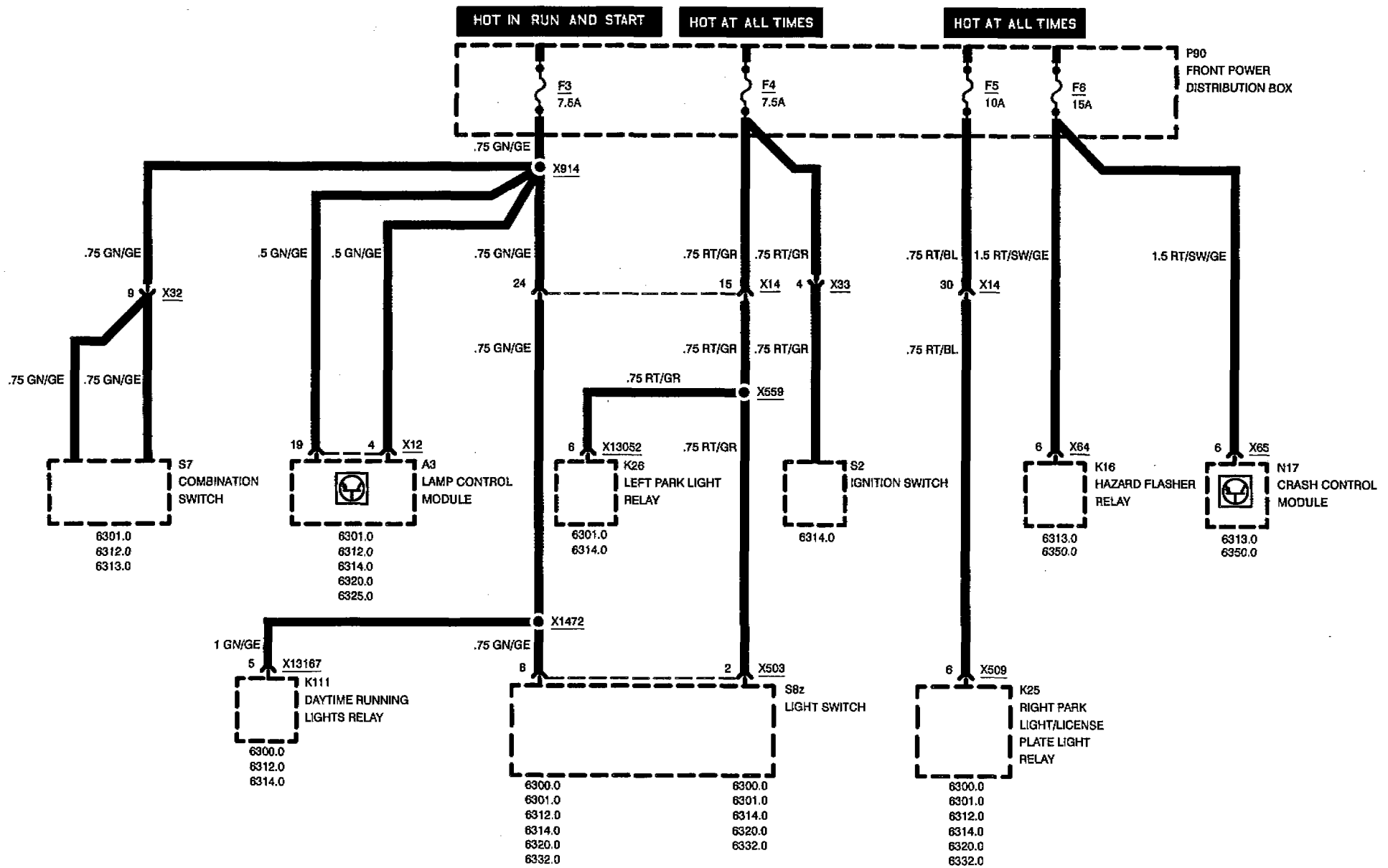
FUSES 3, 4, 5, AND 6





FUSE DETAILS

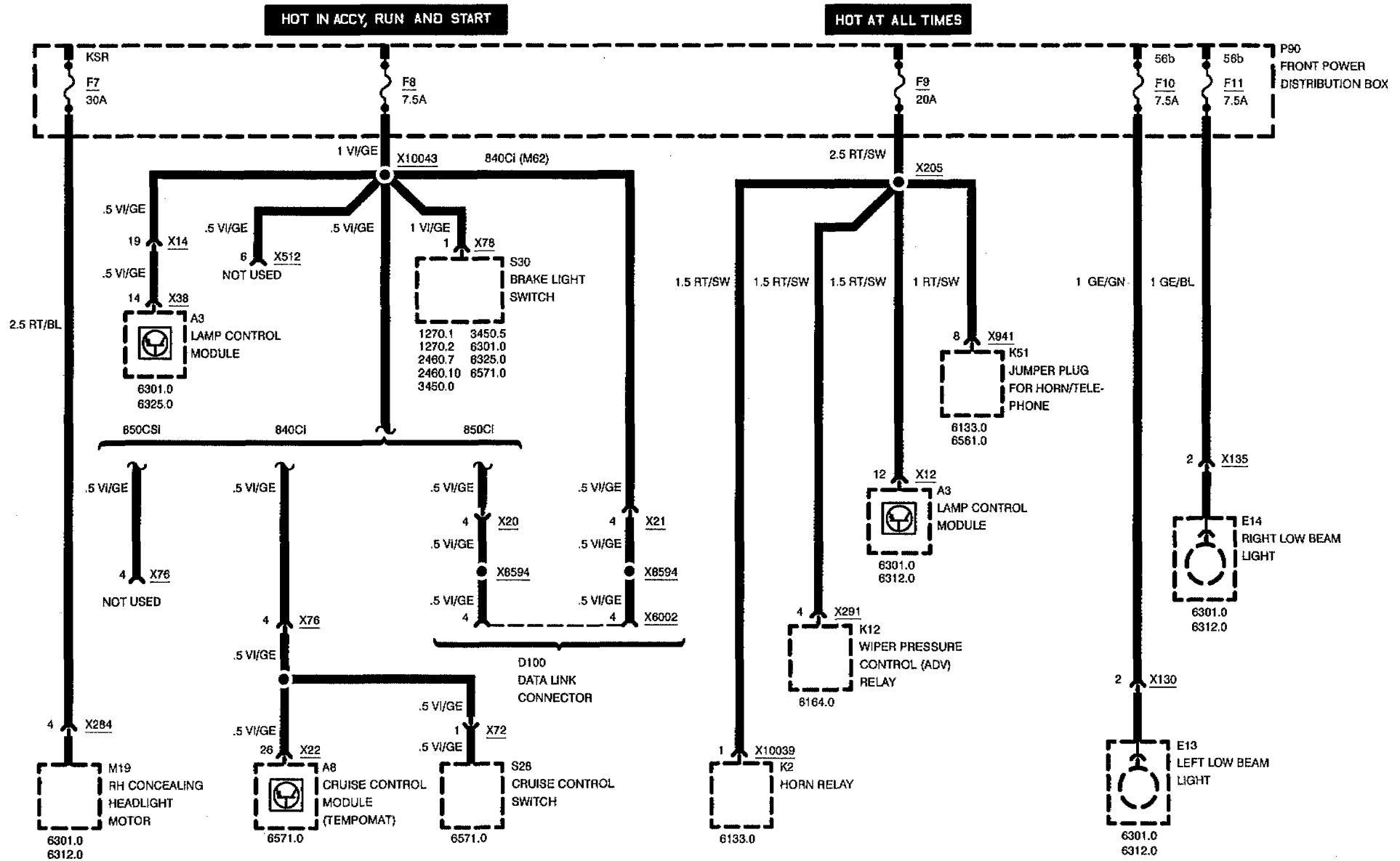
FUSES 3, 4, 5, AND 6





FUSE DETAILS

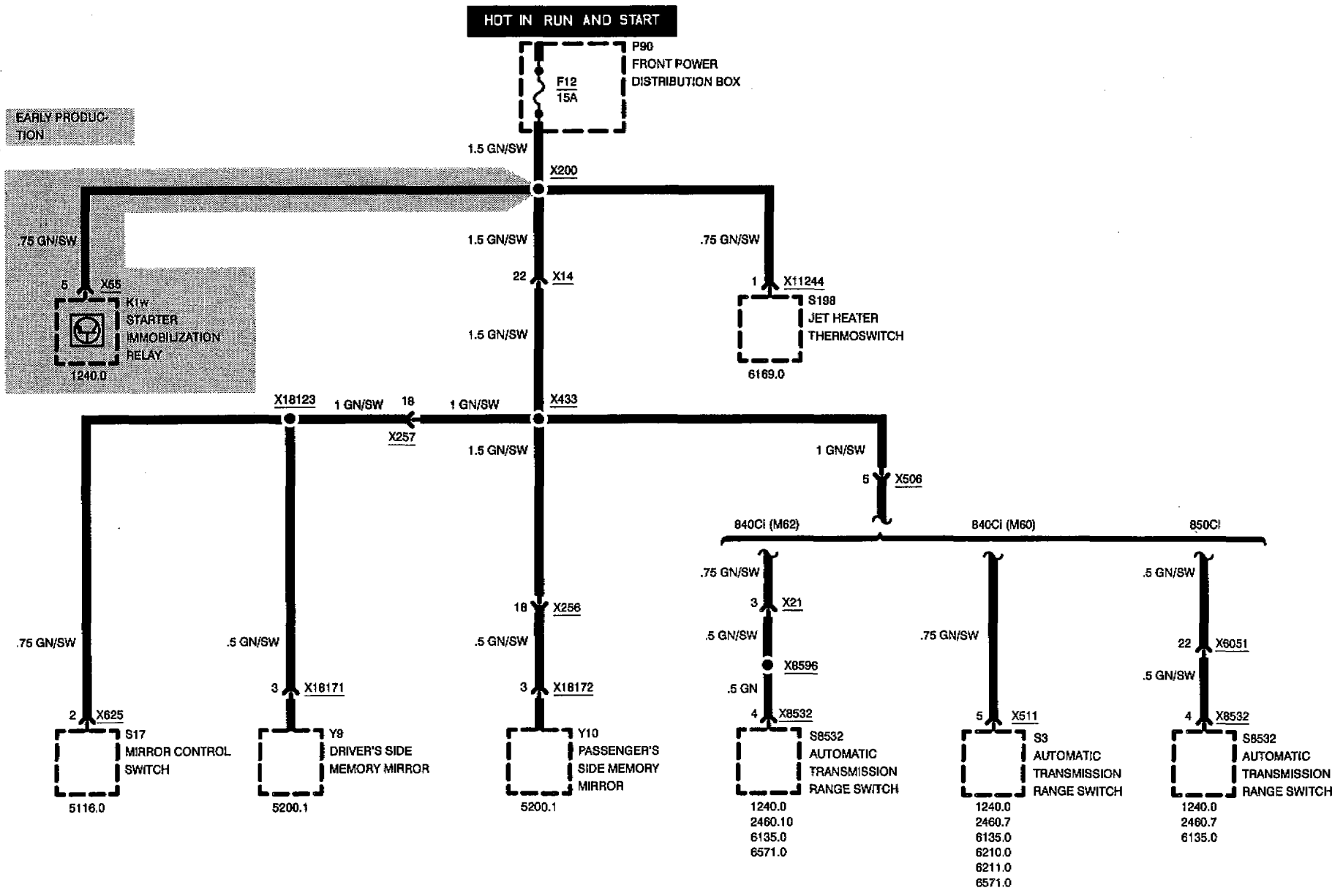
FUSES 7, 8, 9, 10, AND 11





FUSE DETAILS

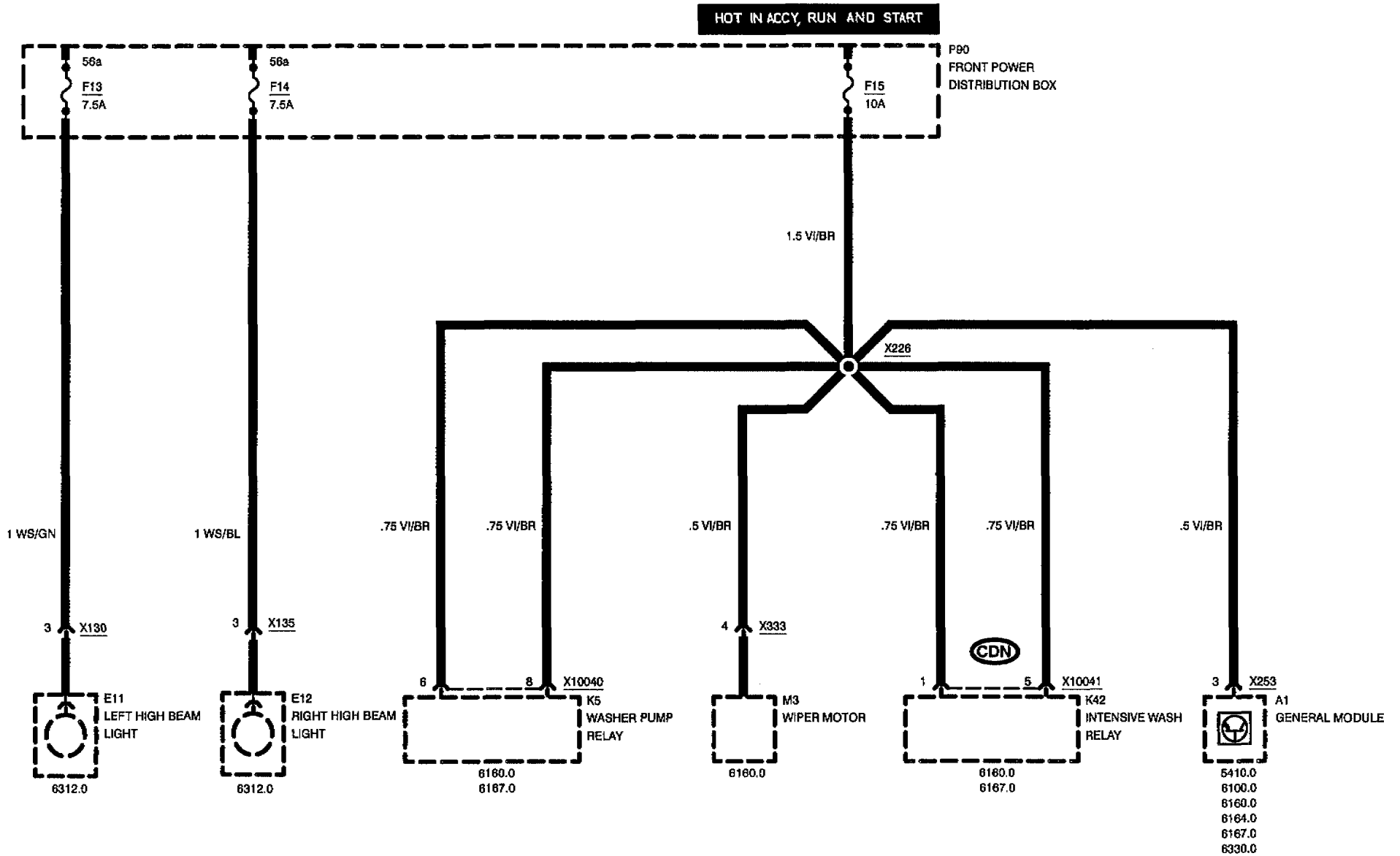
FUSE 12





FUSE DETAILS

FUSES 13, 14, AND 15

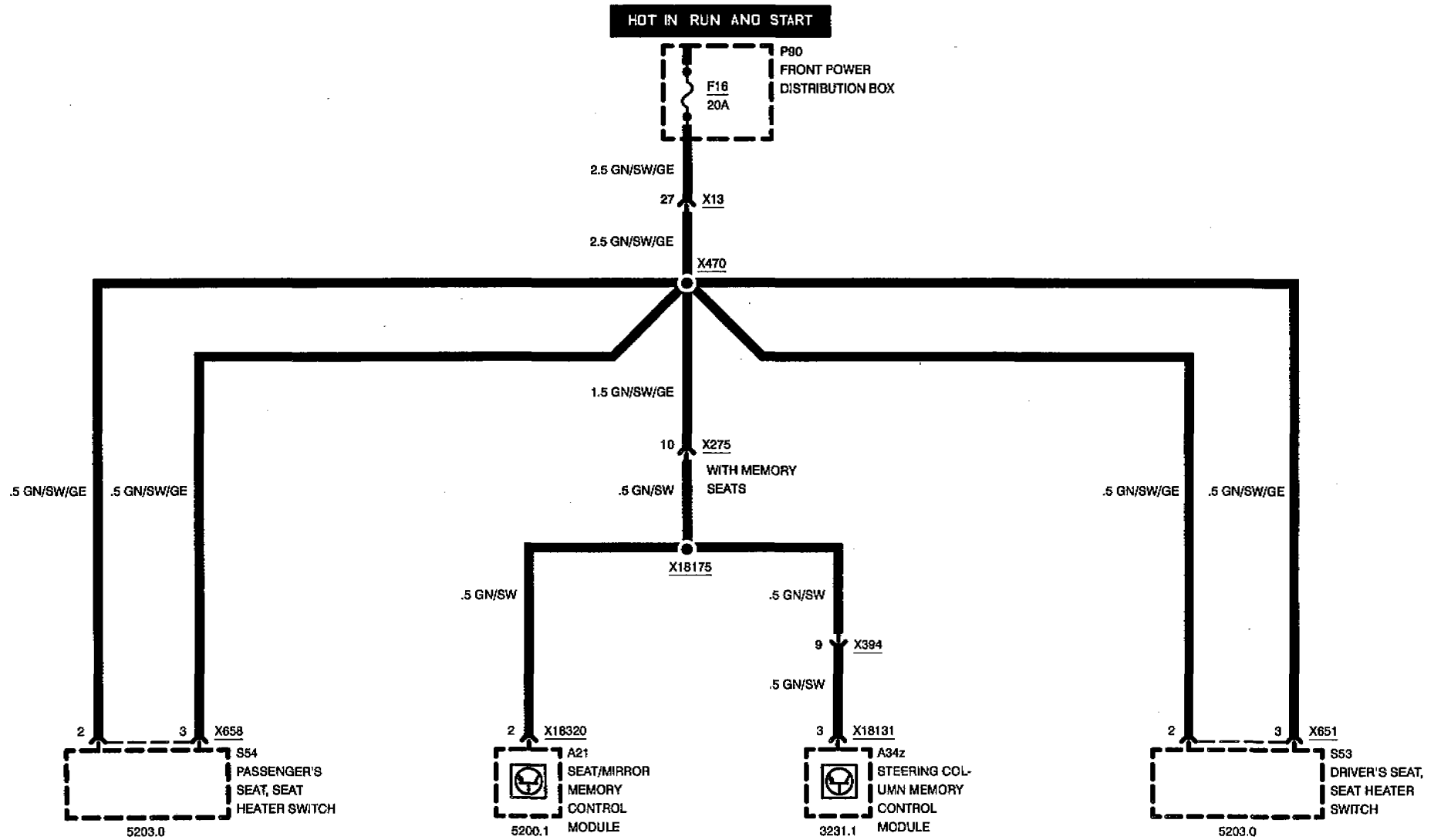




FUSE DETAILS

FUSE 16

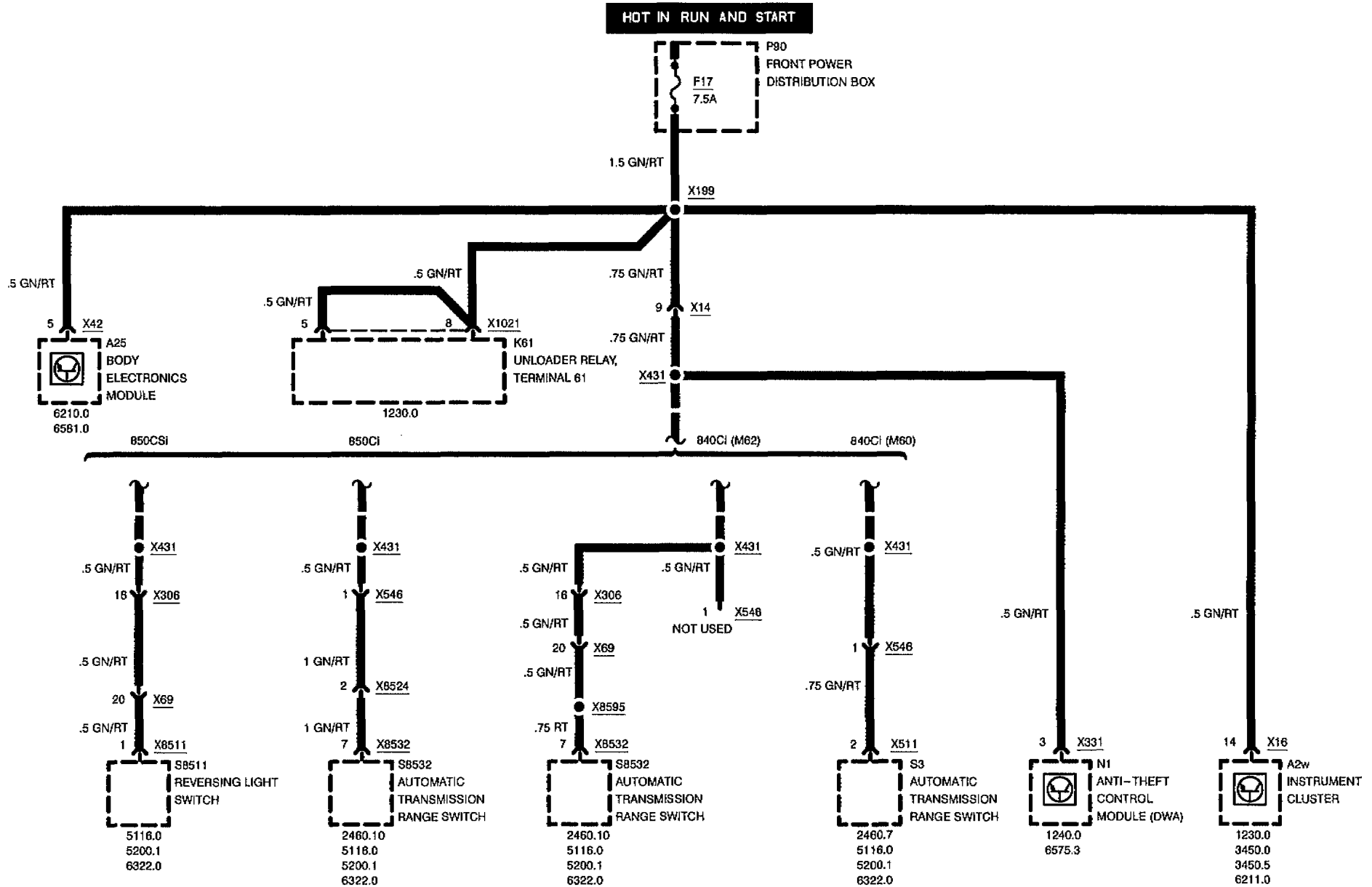
HOT IN RUN AND START





FUSE DETAILS

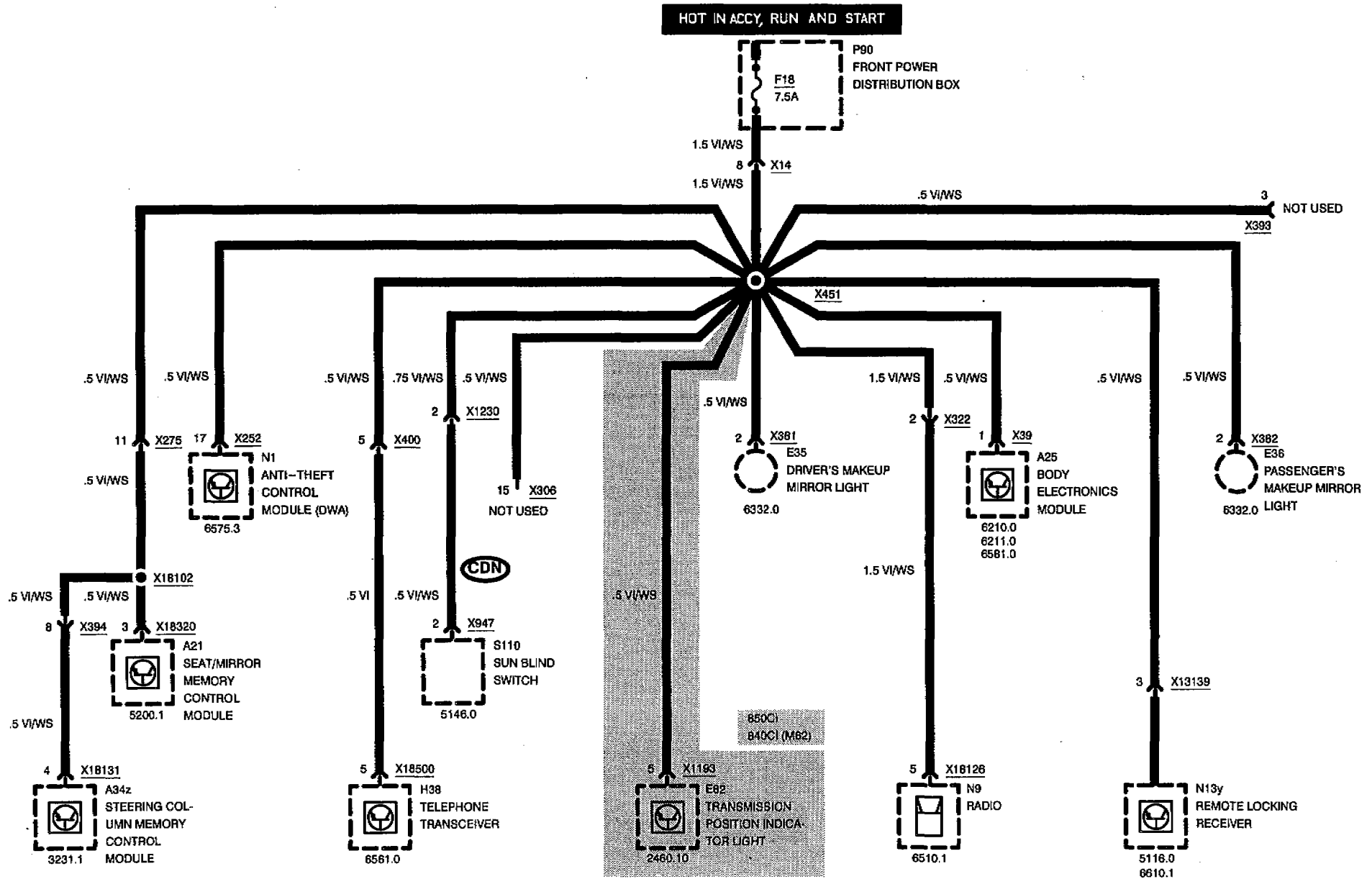
FUSE 17





FUSE DETAILS

FUSE 18



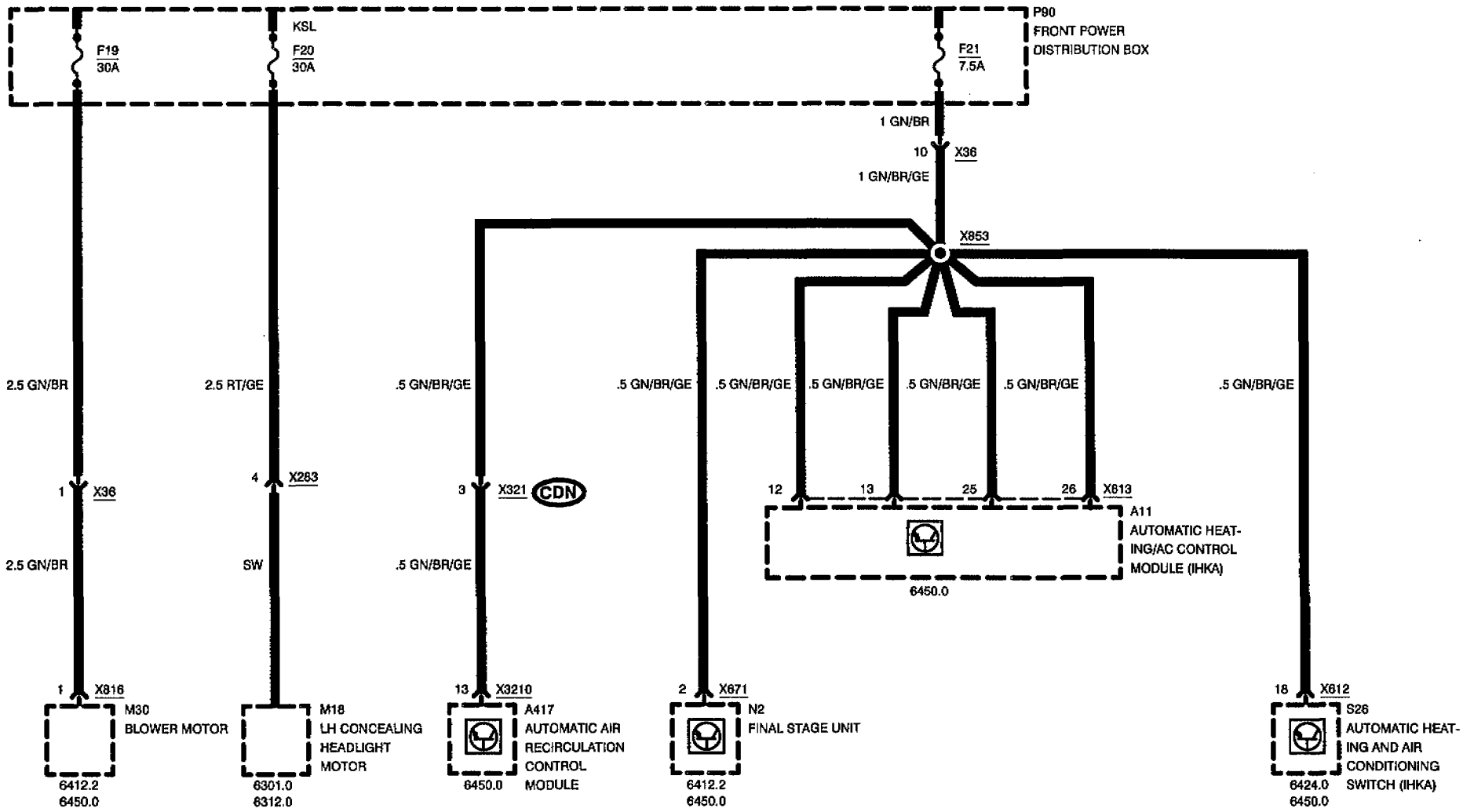


FUSE DETAILS

FUSES 19, 20, AND 21

HOT IN RUN AND START

HOT IN RUN AND START

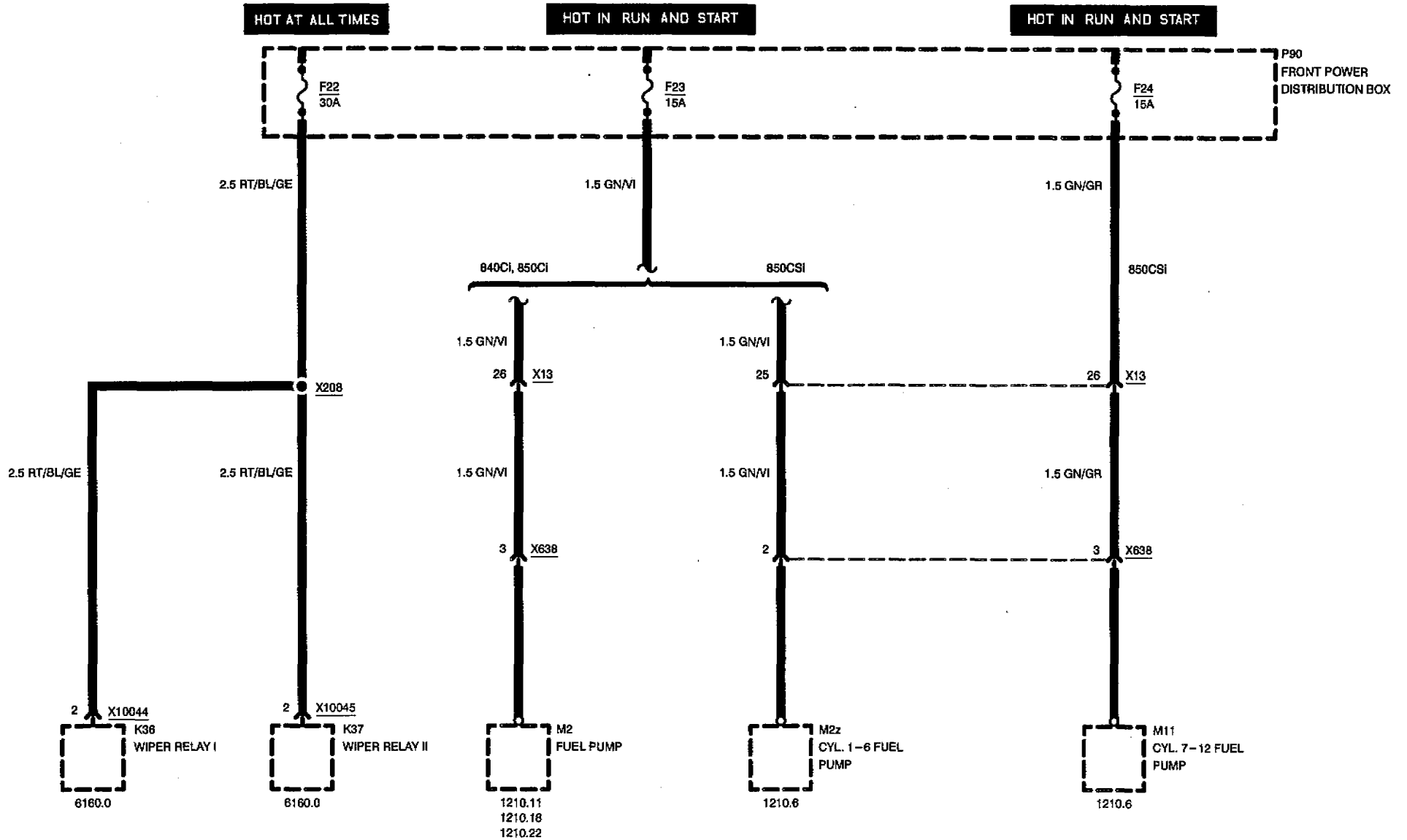


02/97
6670.3-09
95/96



FUSE DETAILS

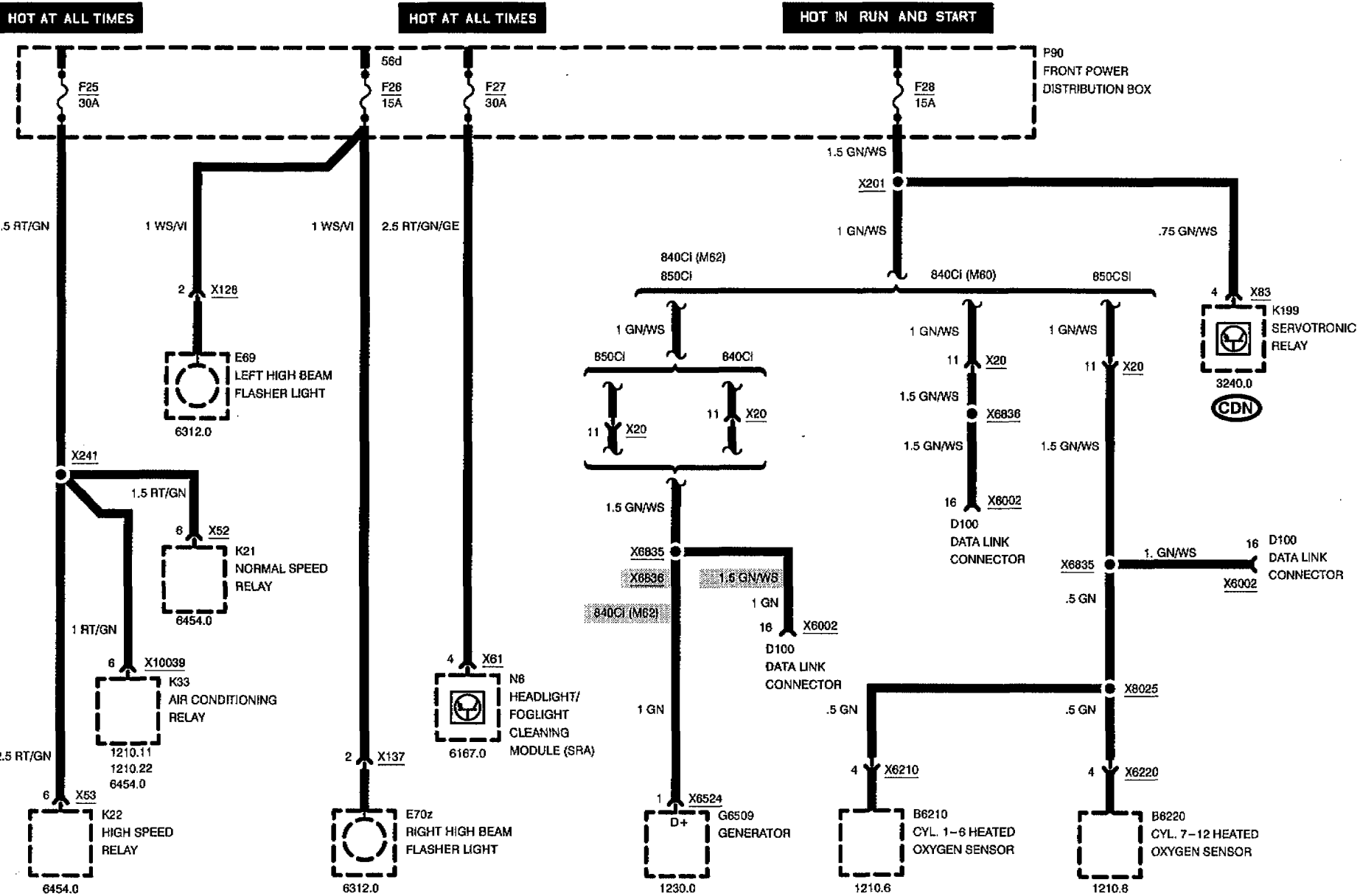
FUSES 22, 23, AND 24





FUSE DETAILS

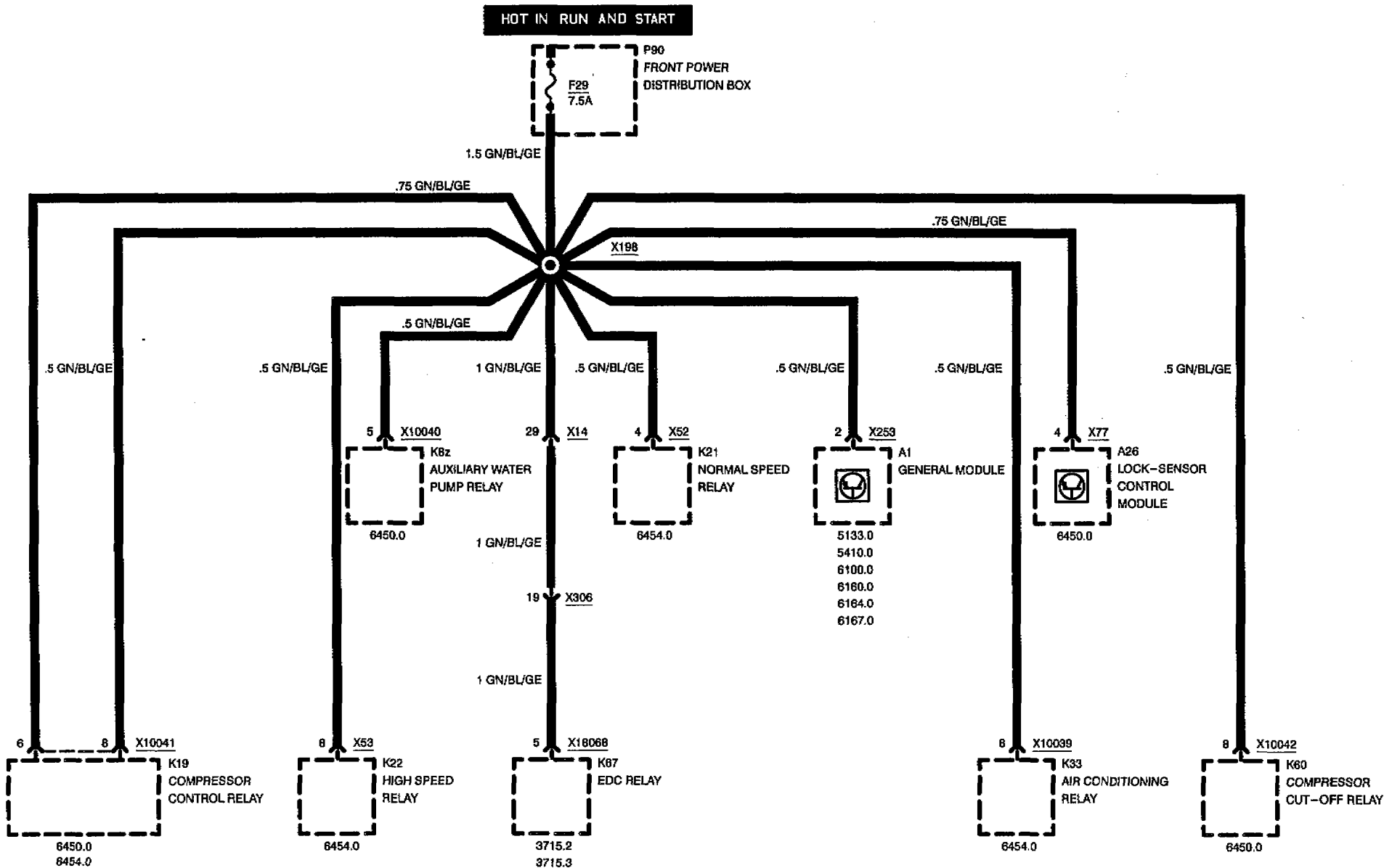
FUSES 25, 26, 27, AND 28





FUSE DETAILS

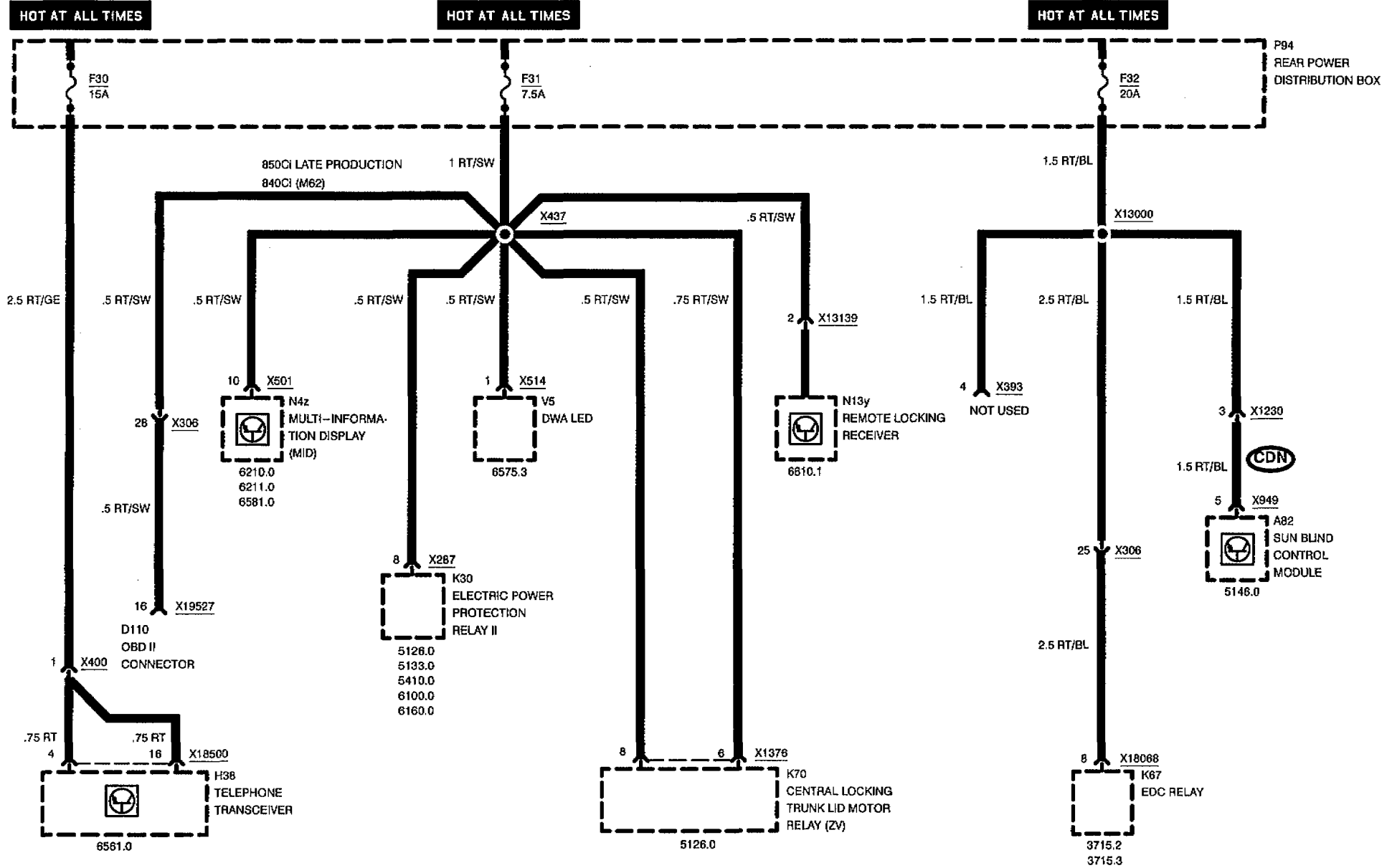
FUSE 29





FUSE DETAILS

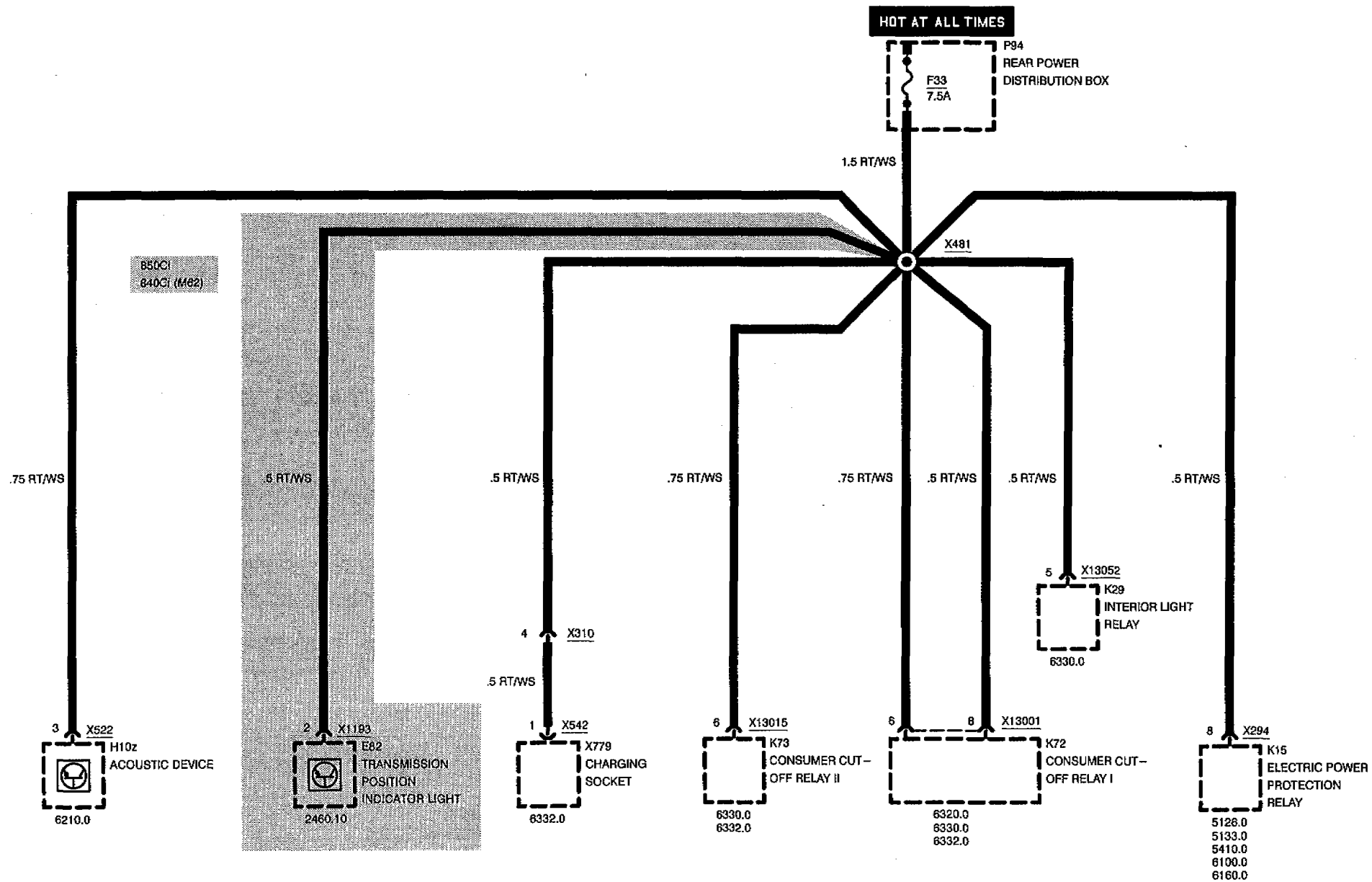
FUSES 30, 31, AND 32





FUSE DETAILS

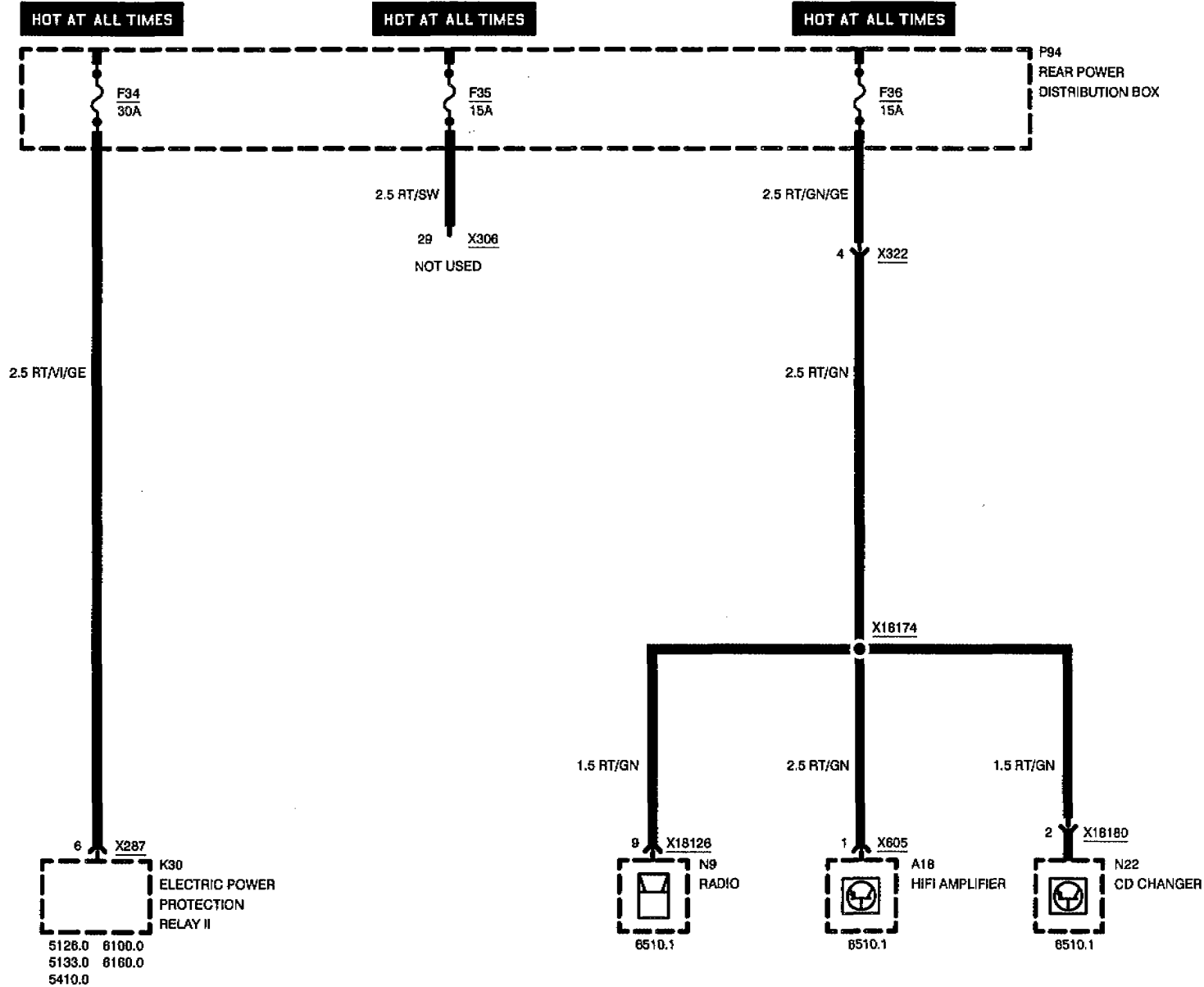
FUSE 33





FUSE DETAILS

FUSES 34, 35, AND 36

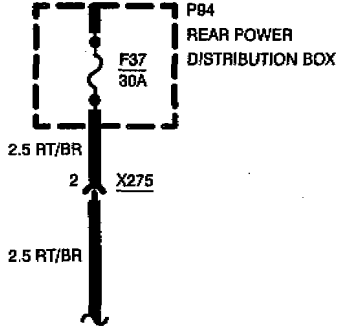




FUSE DETAILS

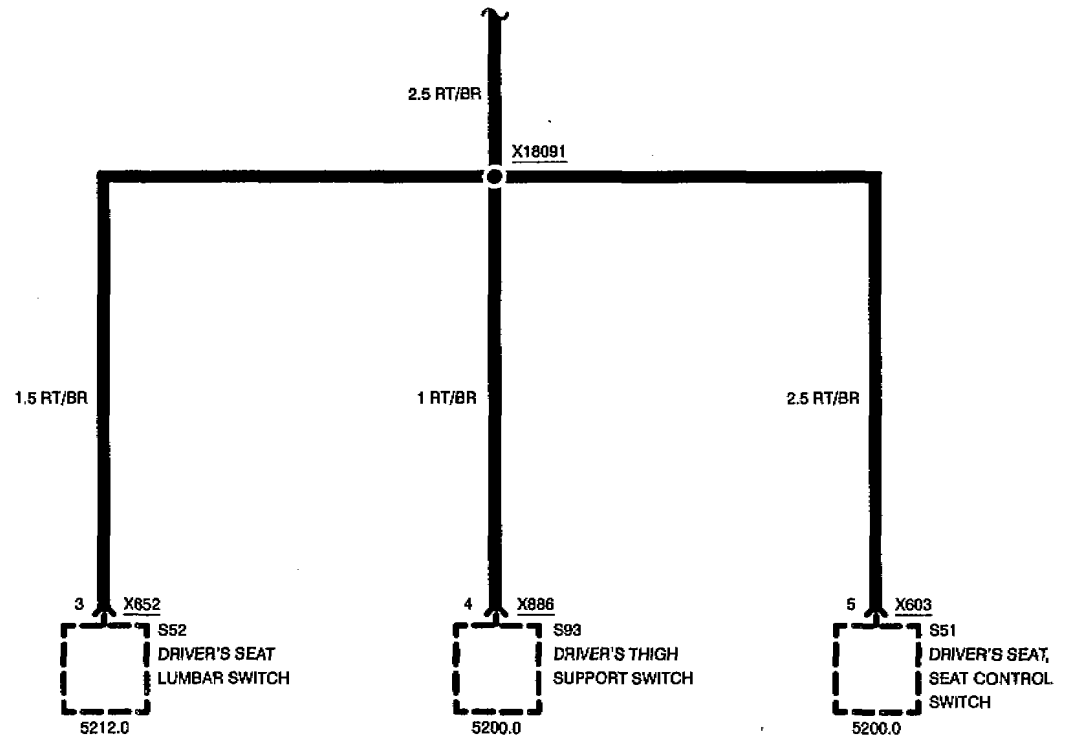
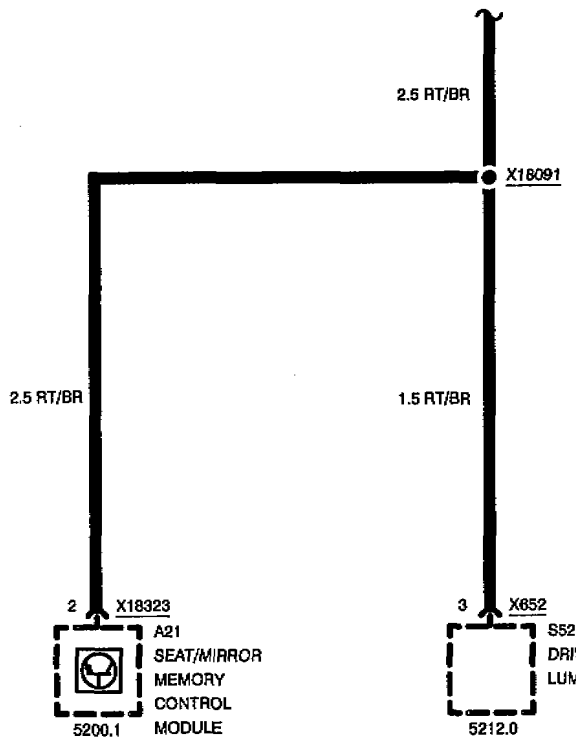
FUSE 37

HOT AT ALL TIMES



WITH MEMORY

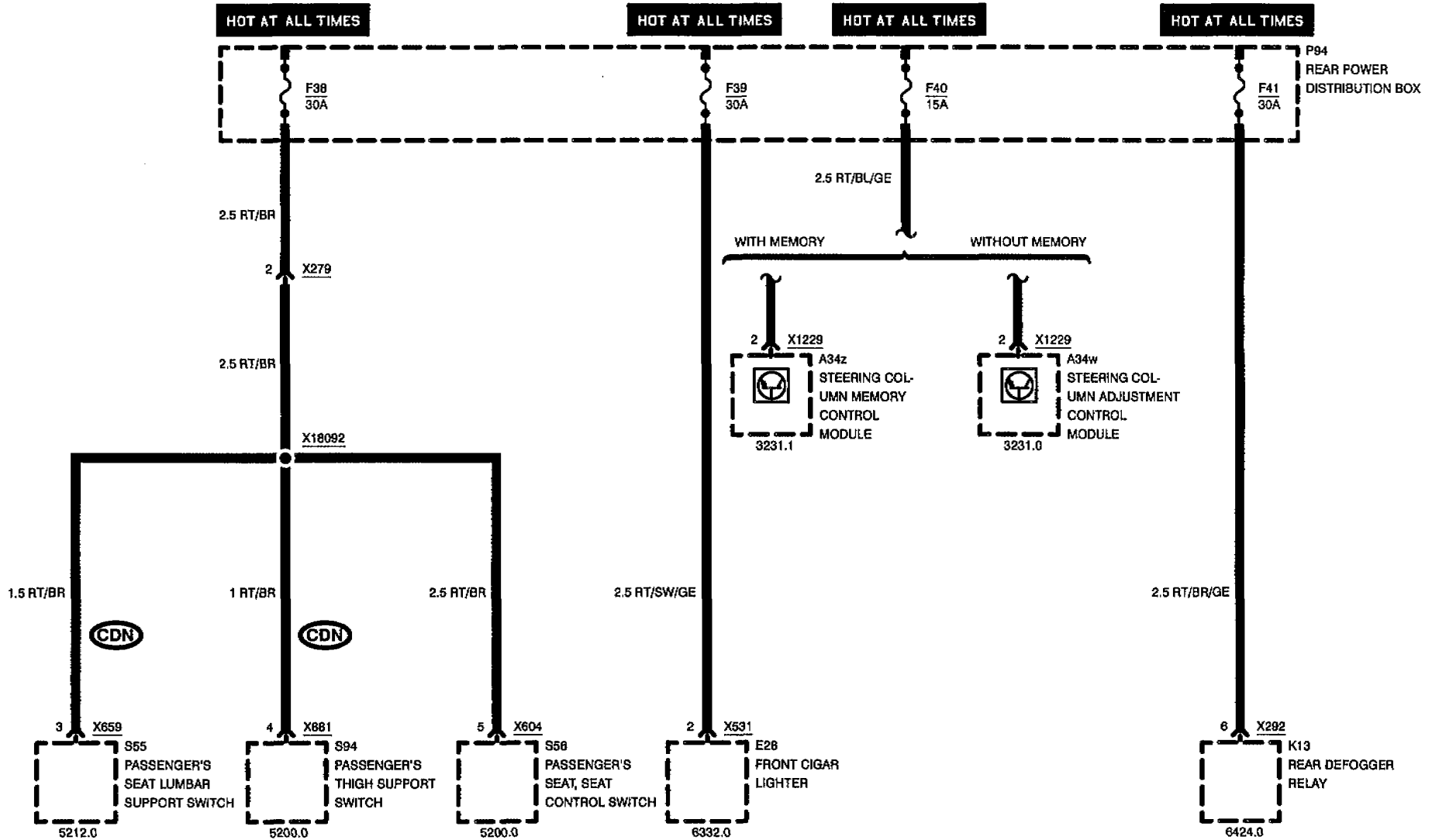
WITHOUT MEMORY





FUSE DETAILS

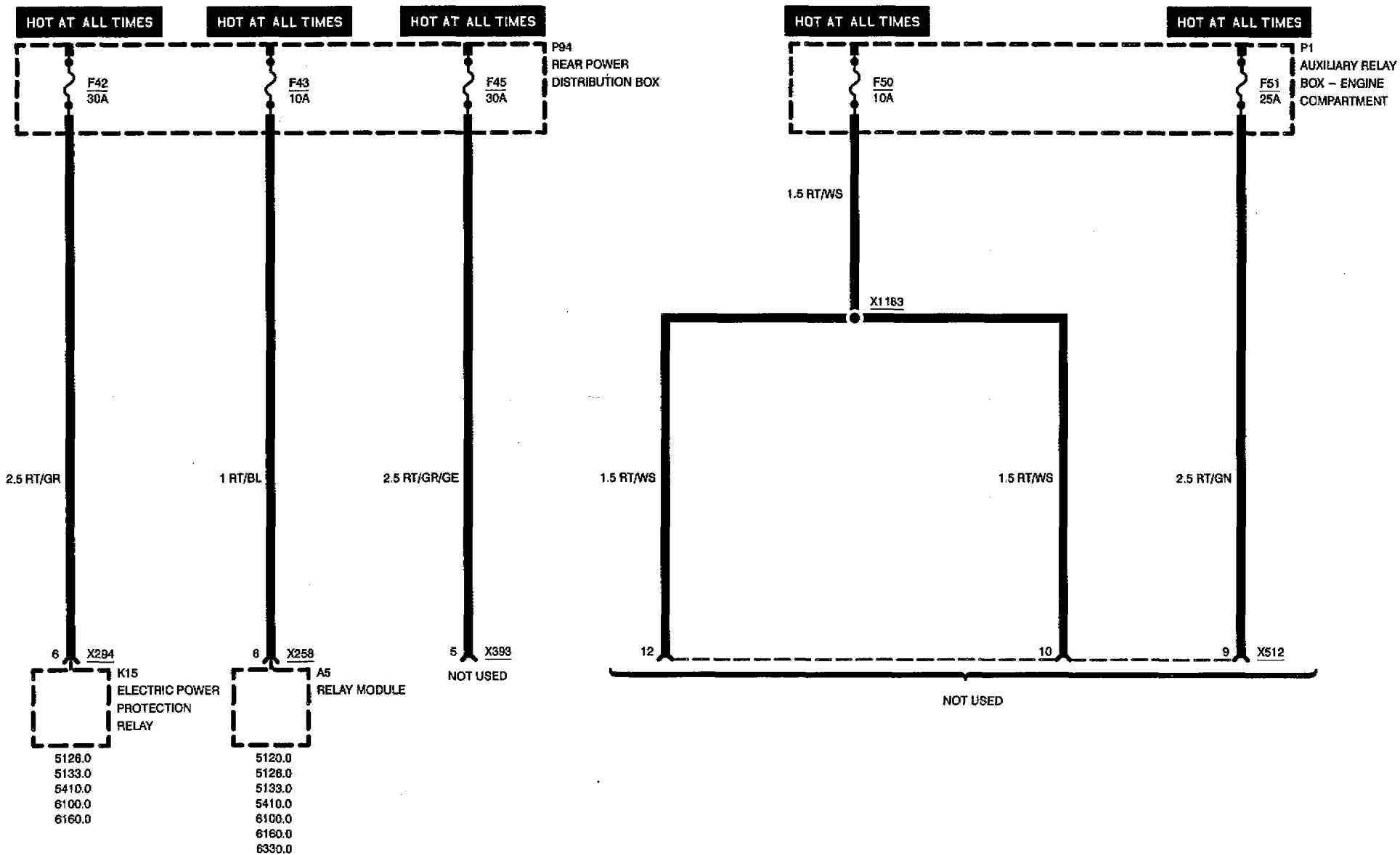
FUSES 38, 39, 40, AND 41





FUSE DETAILS

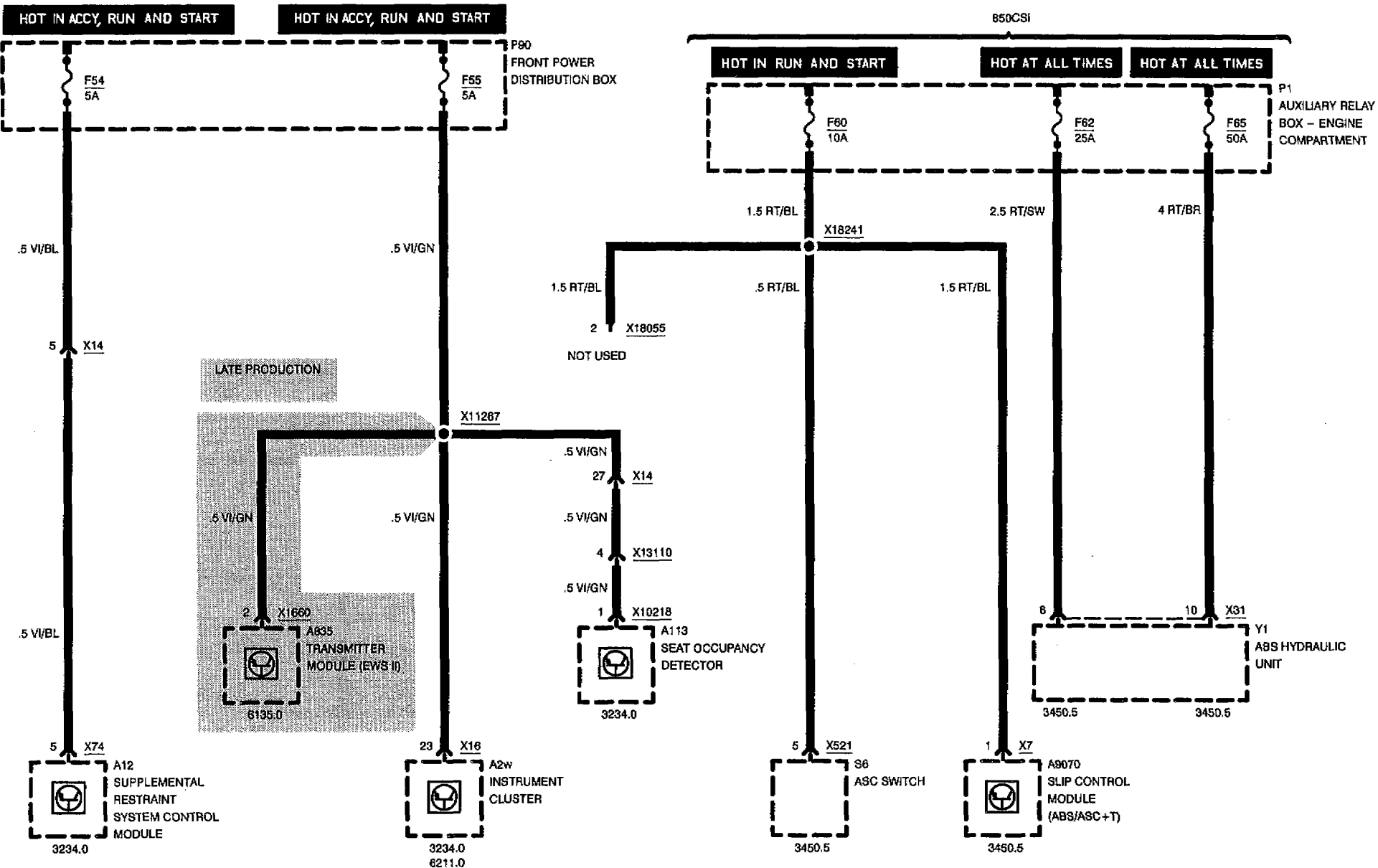
FUSES 42, 43, 45, 50, AND 51





FUSE DETAILS

FUSES 54, 55, 60, 62, AND 65

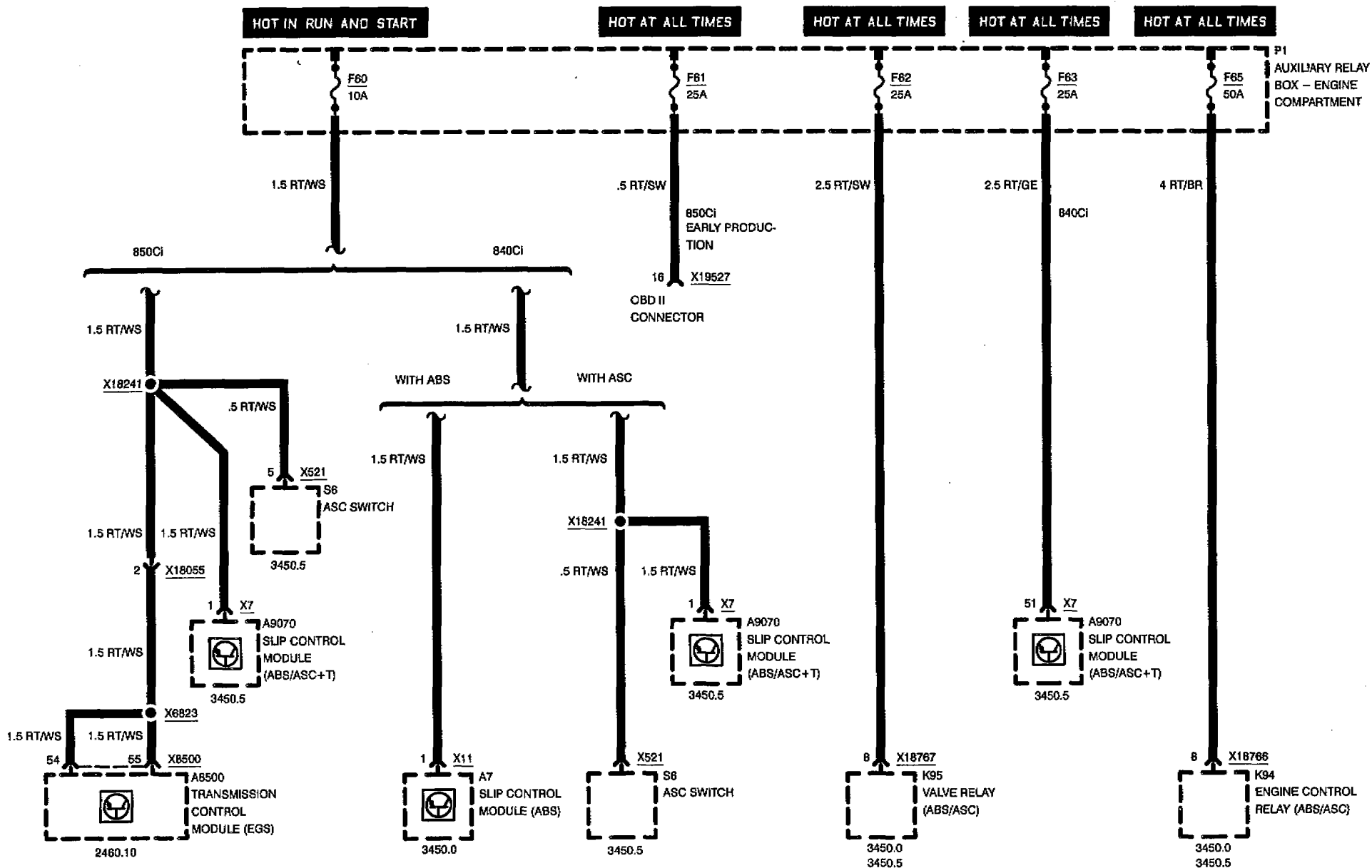




FUSE DETAILS

840CI, 850CI

FUSES 60, 61, 62, 63, AND 65

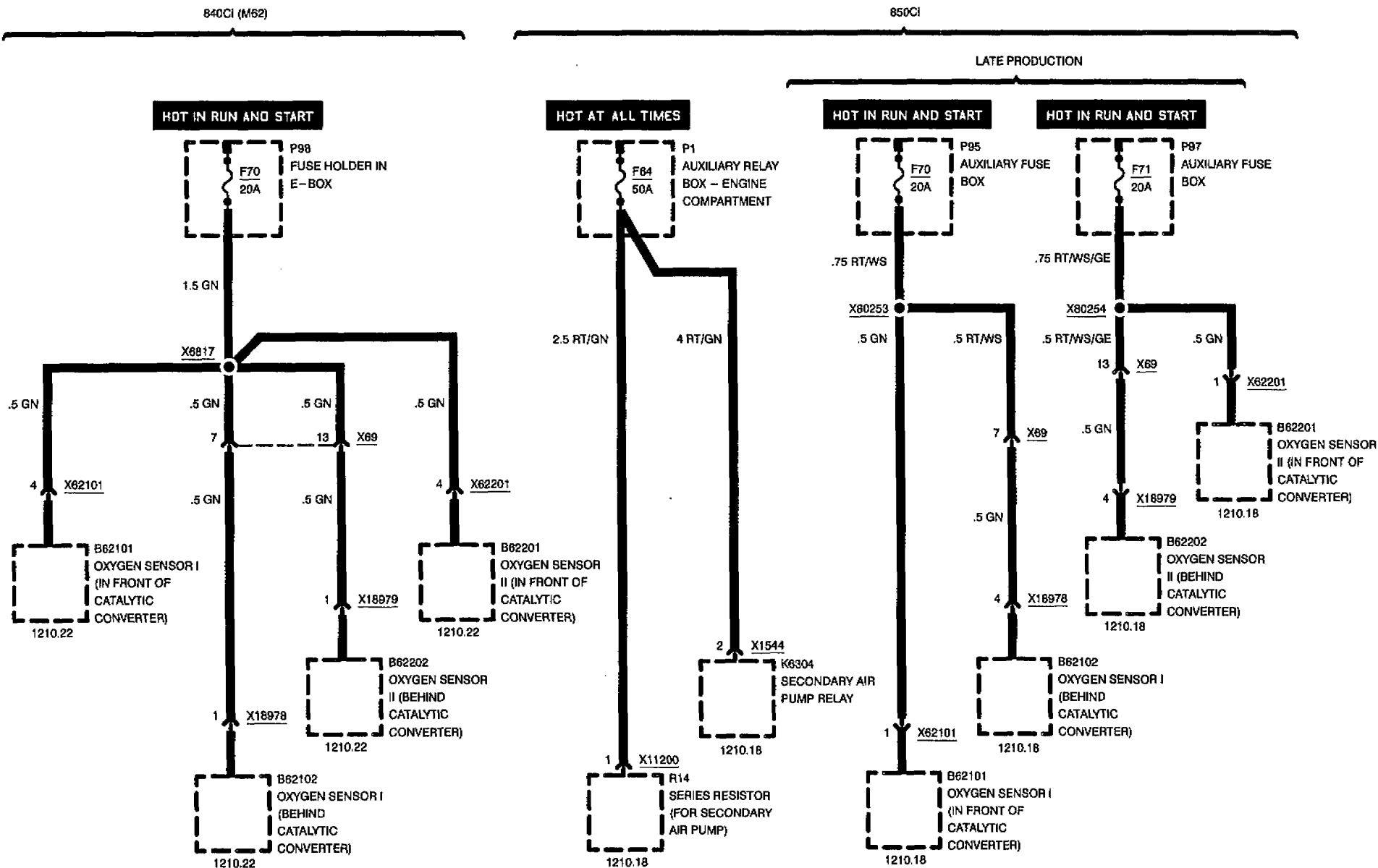




FUSE DETAILS

840Ci (M62), 850Ci

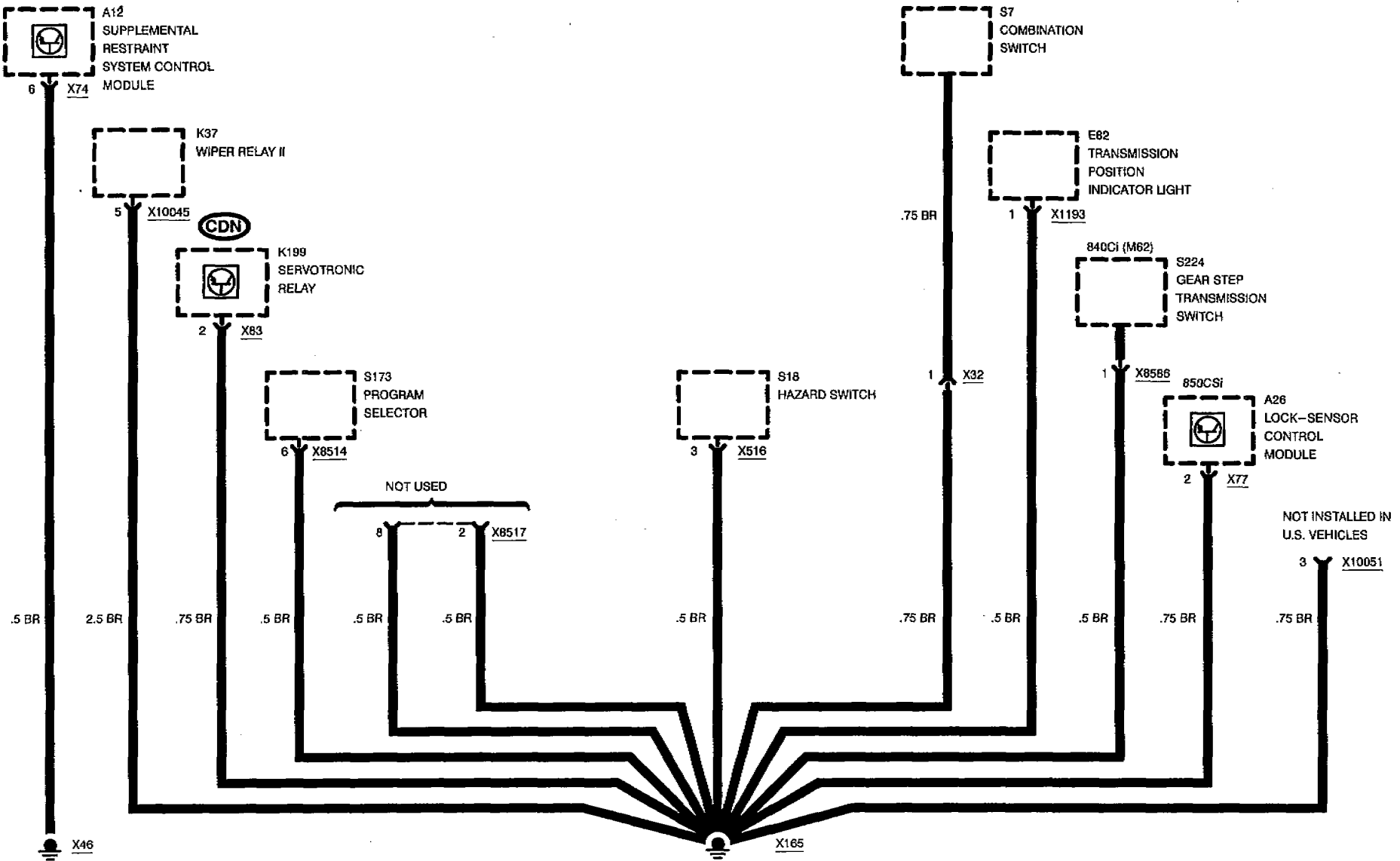
FUSES 64, 70, AND 71





GROUND DISTRIBUTION

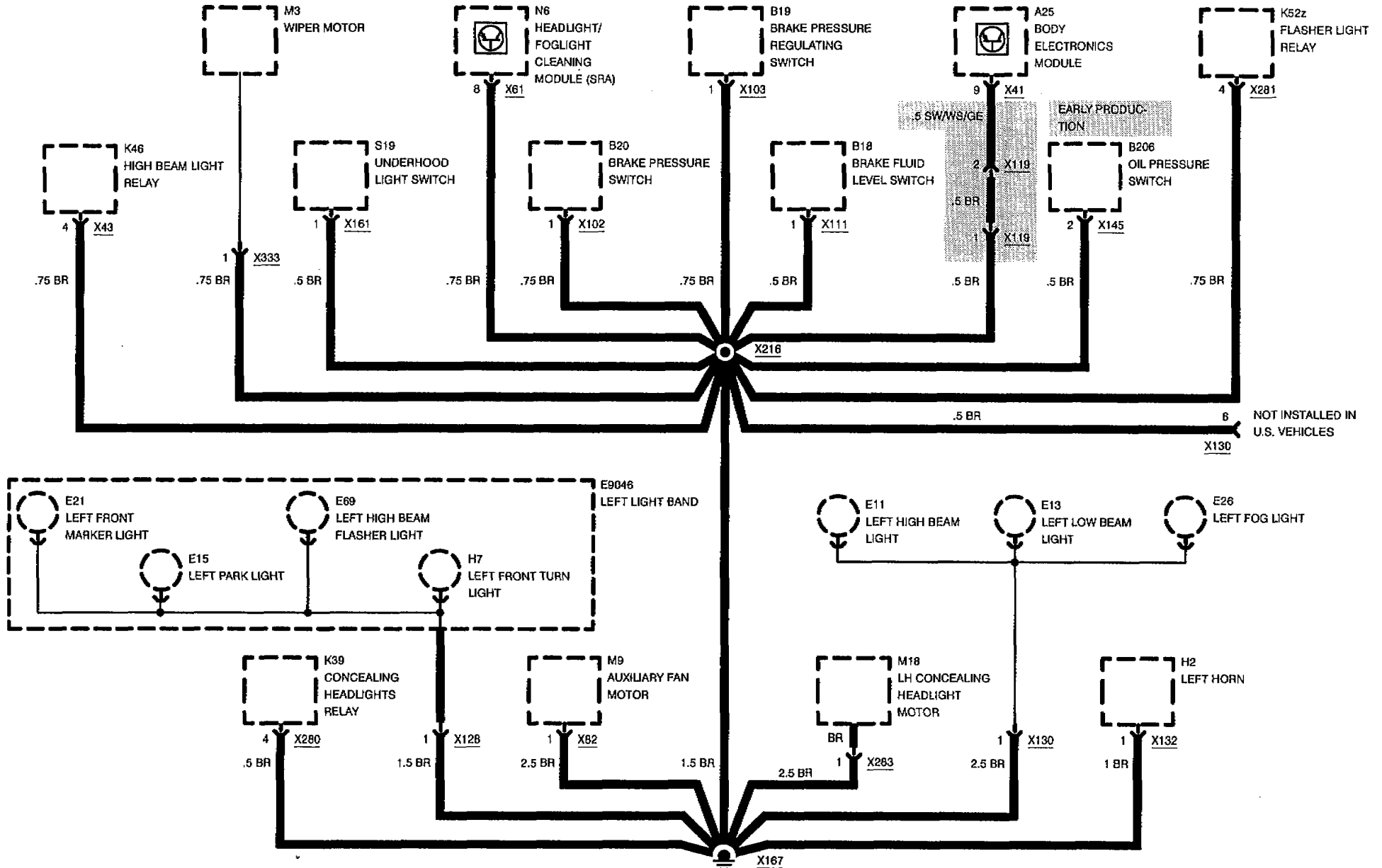
GROUNDS X46 AND X165





GROUND DISTRIBUTION

GROUND X167

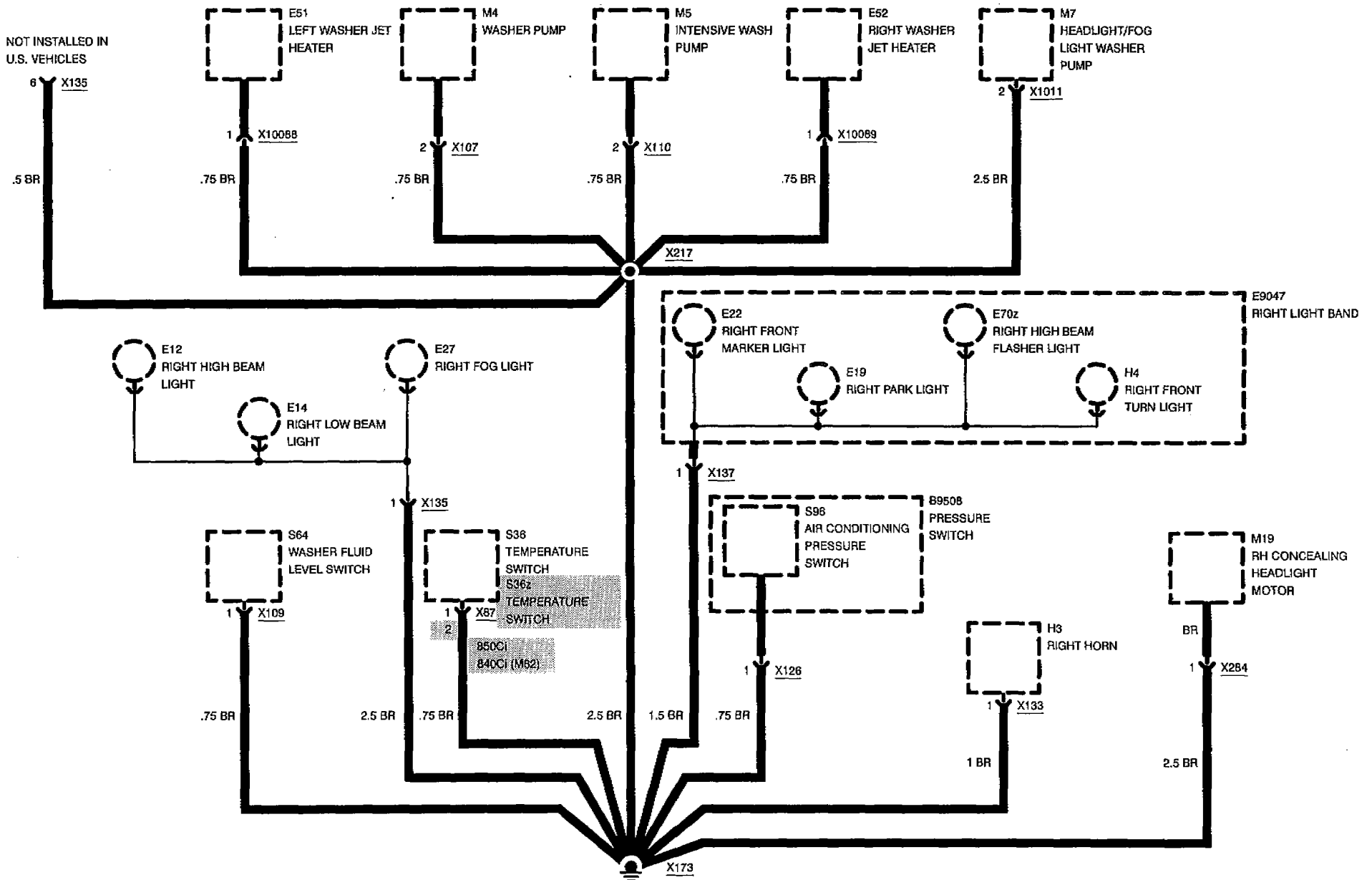




GROUND DISTRIBUTION

GROUND X173

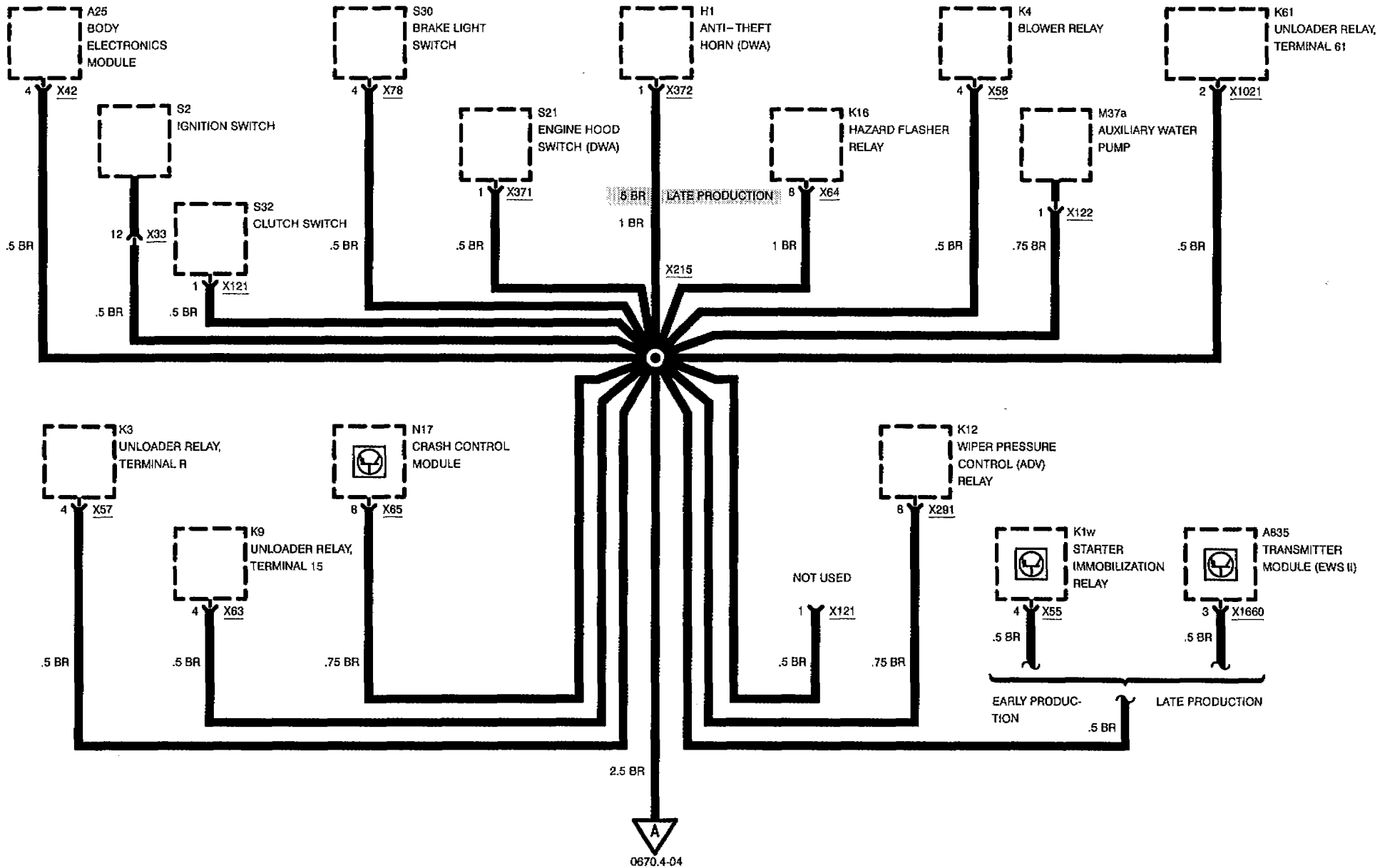
NOT INSTALLED IN U.S. VEHICLES





GROUND DISTRIBUTION

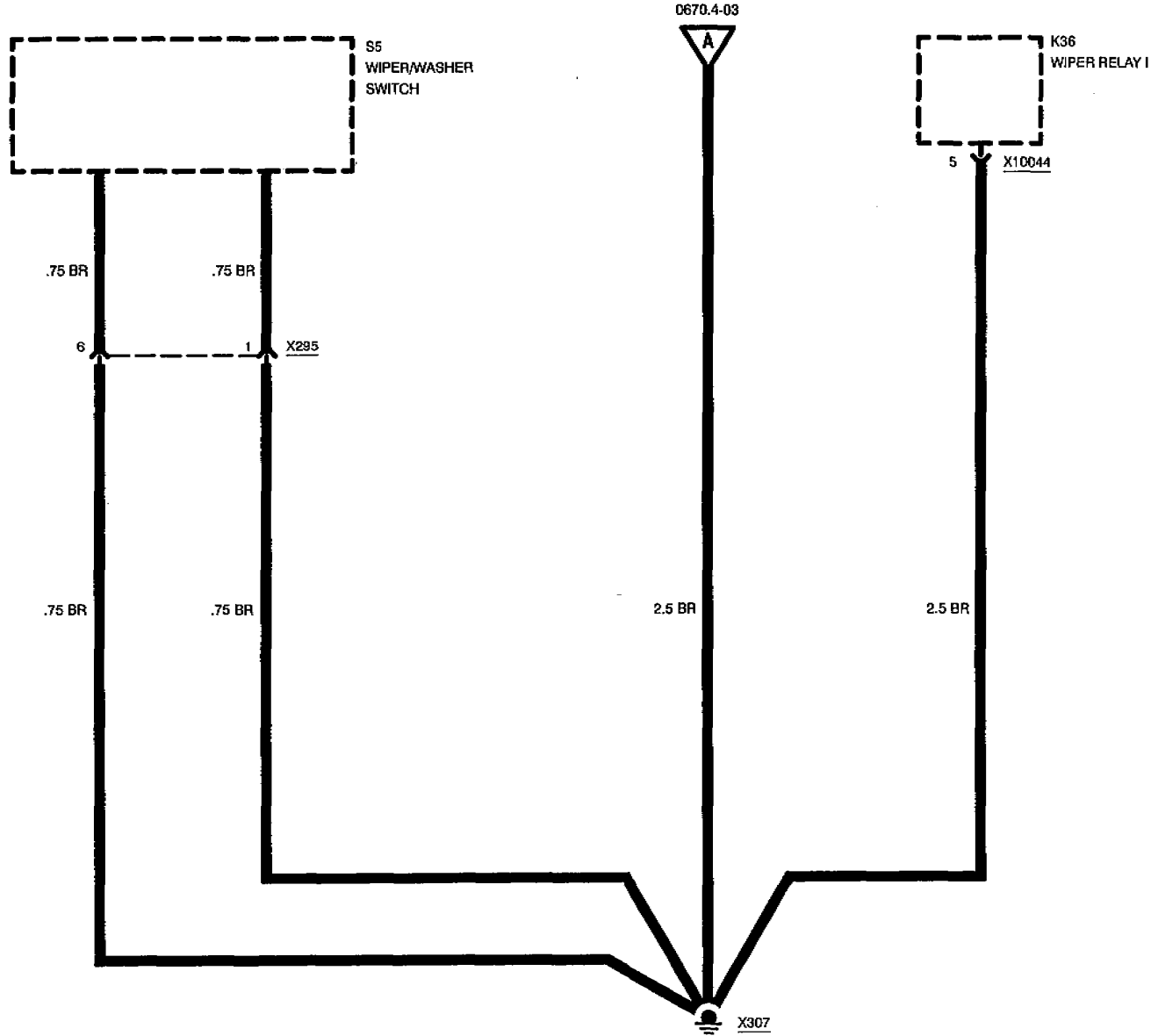
GROUND X307





GROUND DISTRIBUTION

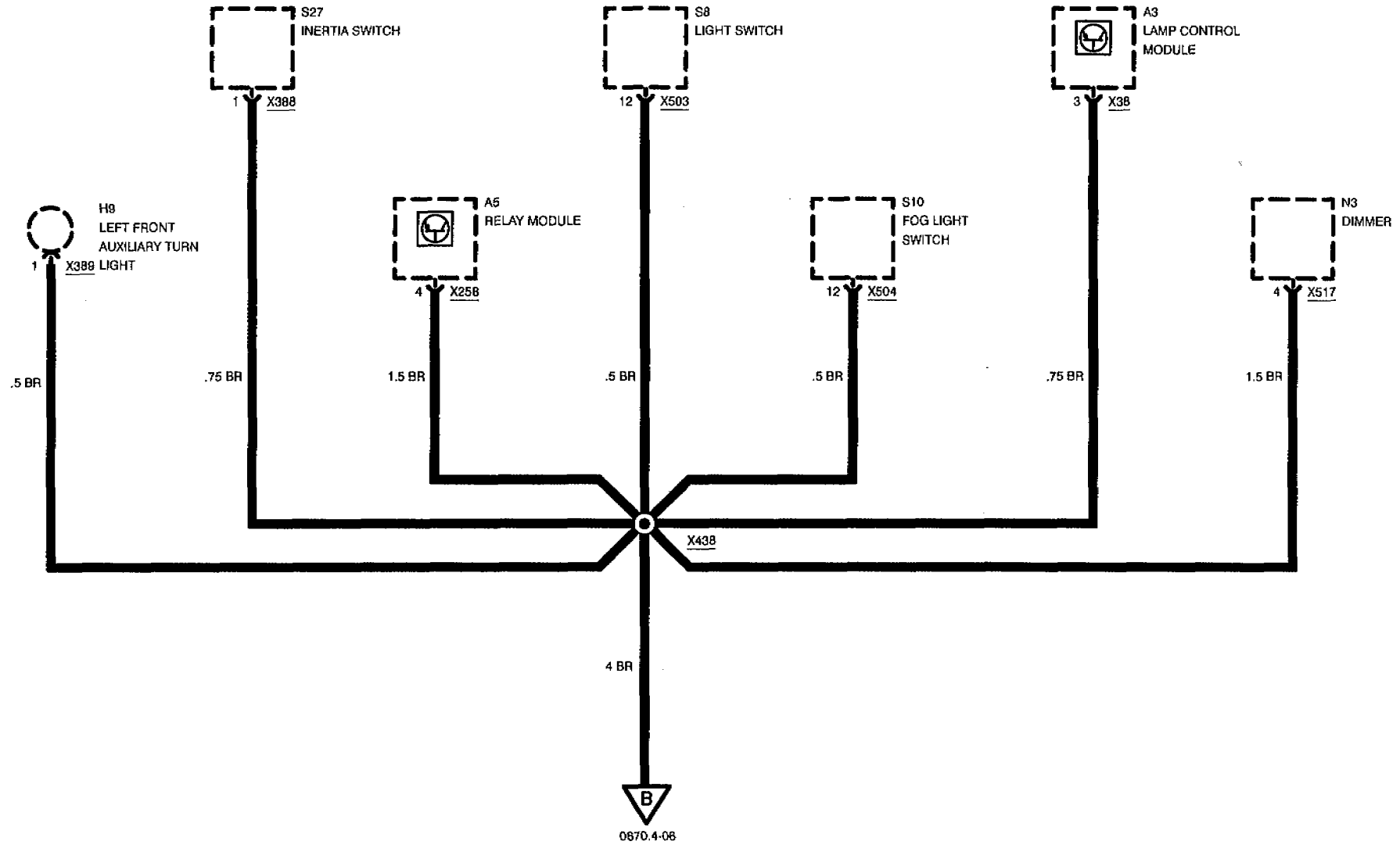
GROUND X307





GROUND DISTRIBUTION

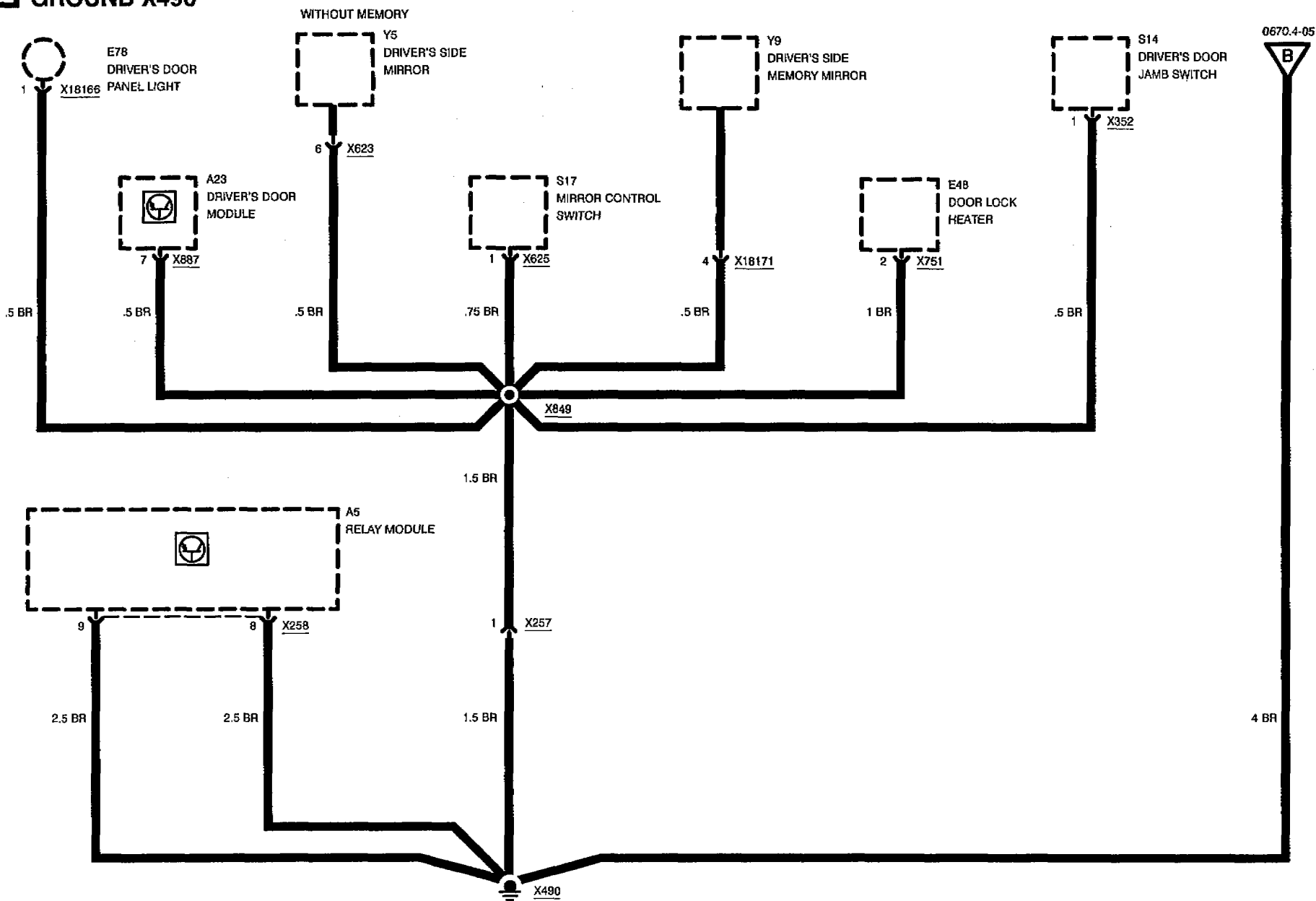
GROUND X490





GROUND DISTRIBUTION

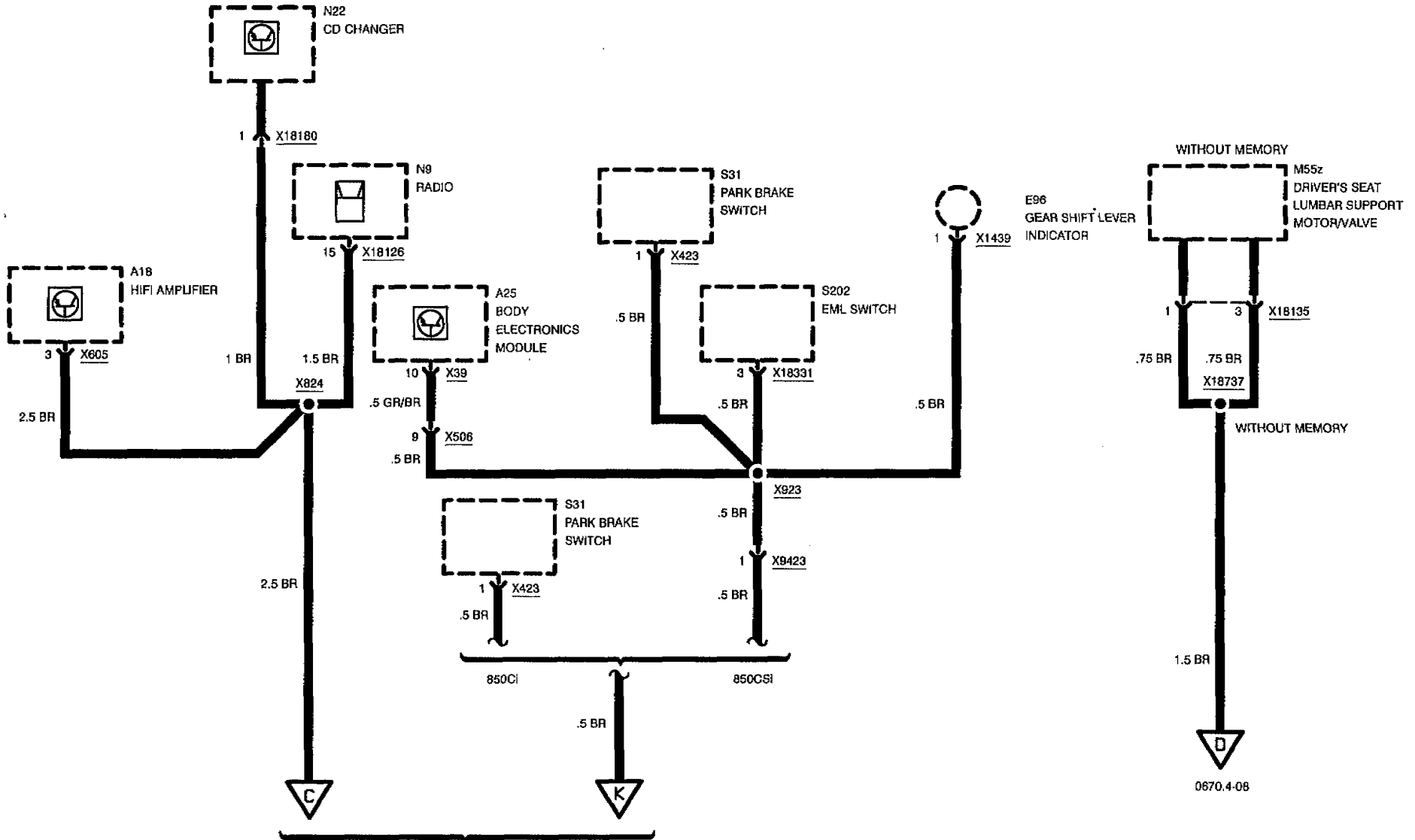
GROUND X490





GROUND DISTRIBUTION

GROUND X492

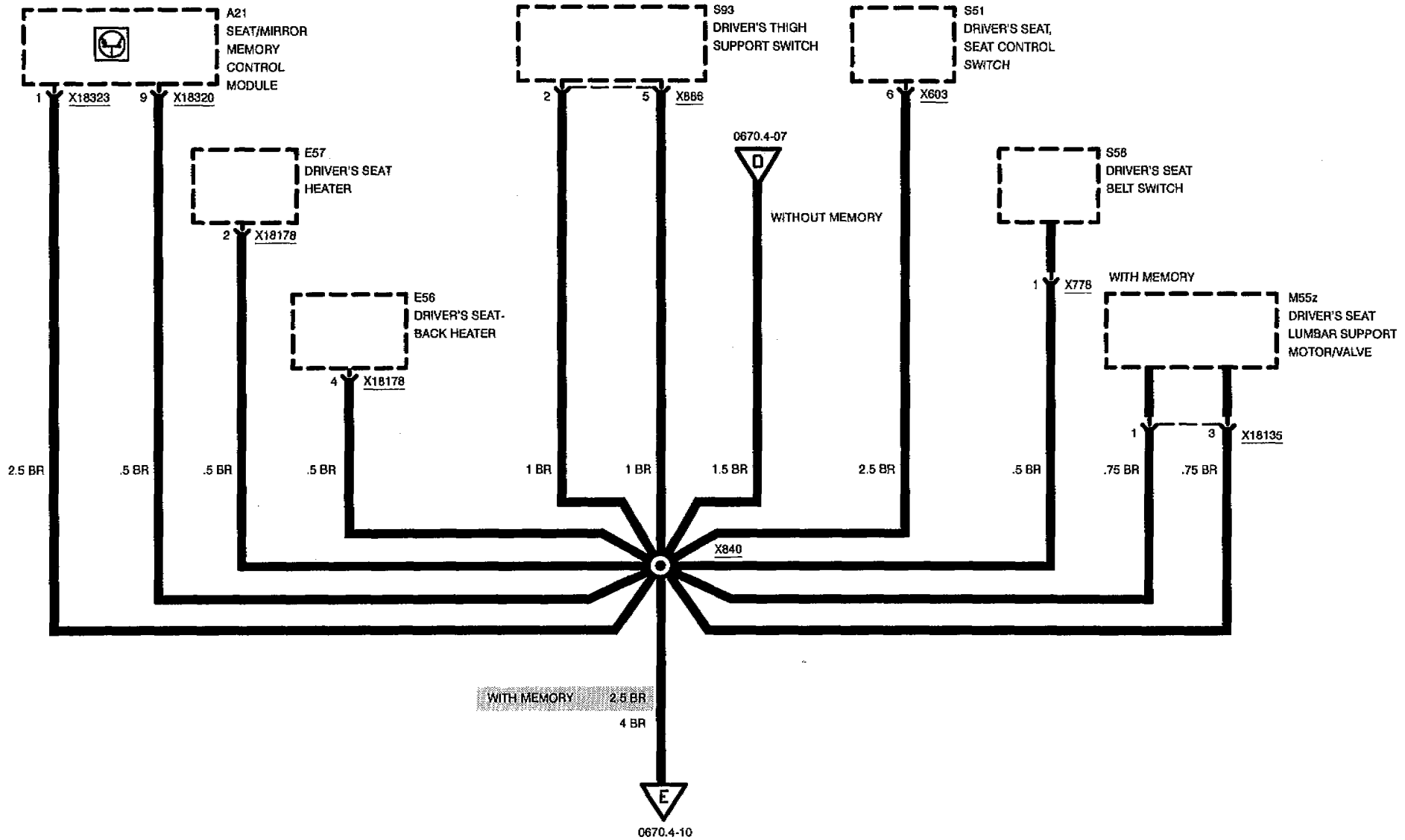


0670.4-10



GROUND DISTRIBUTION

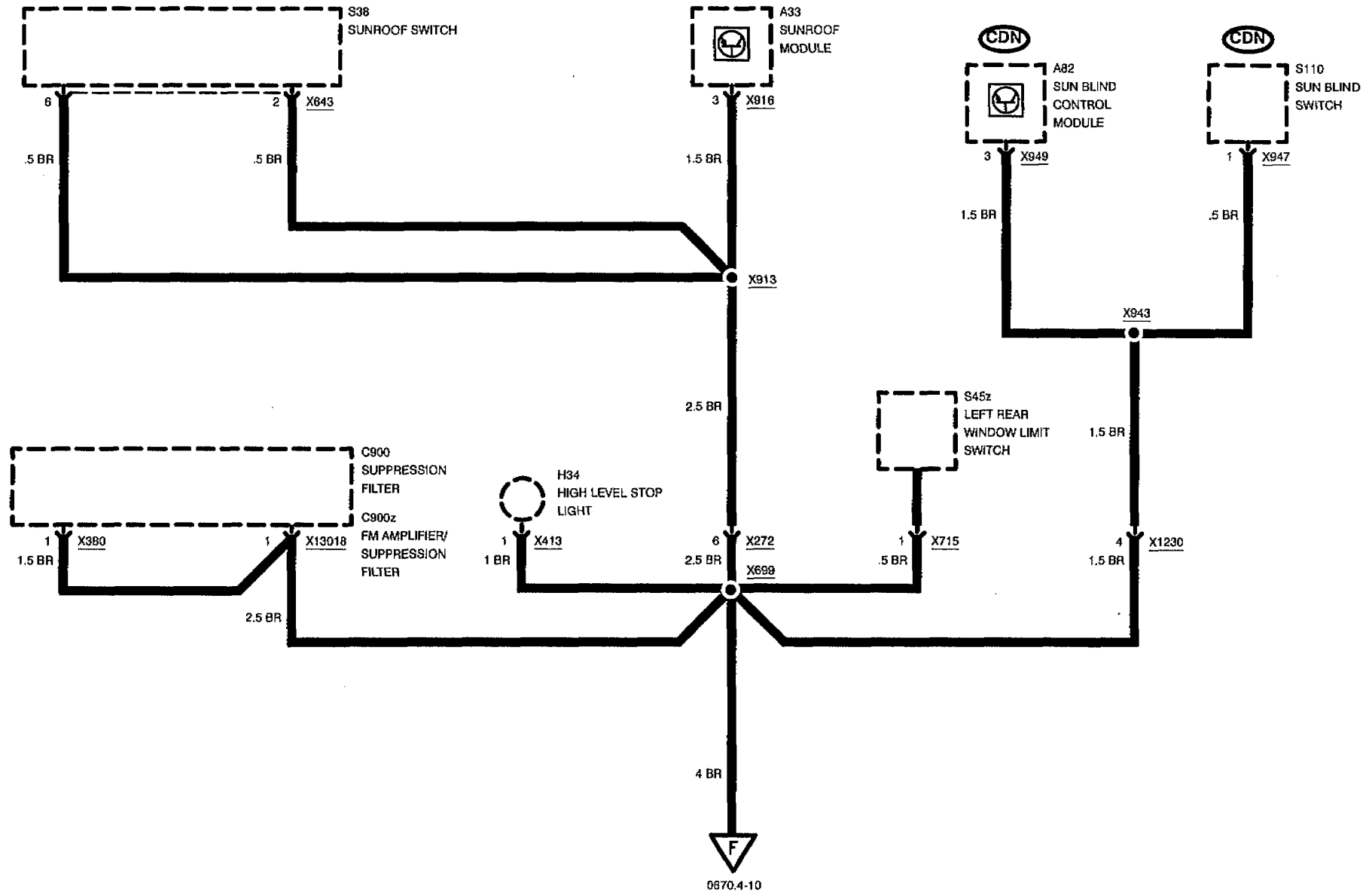
GROUND X492





GROUND DISTRIBUTION

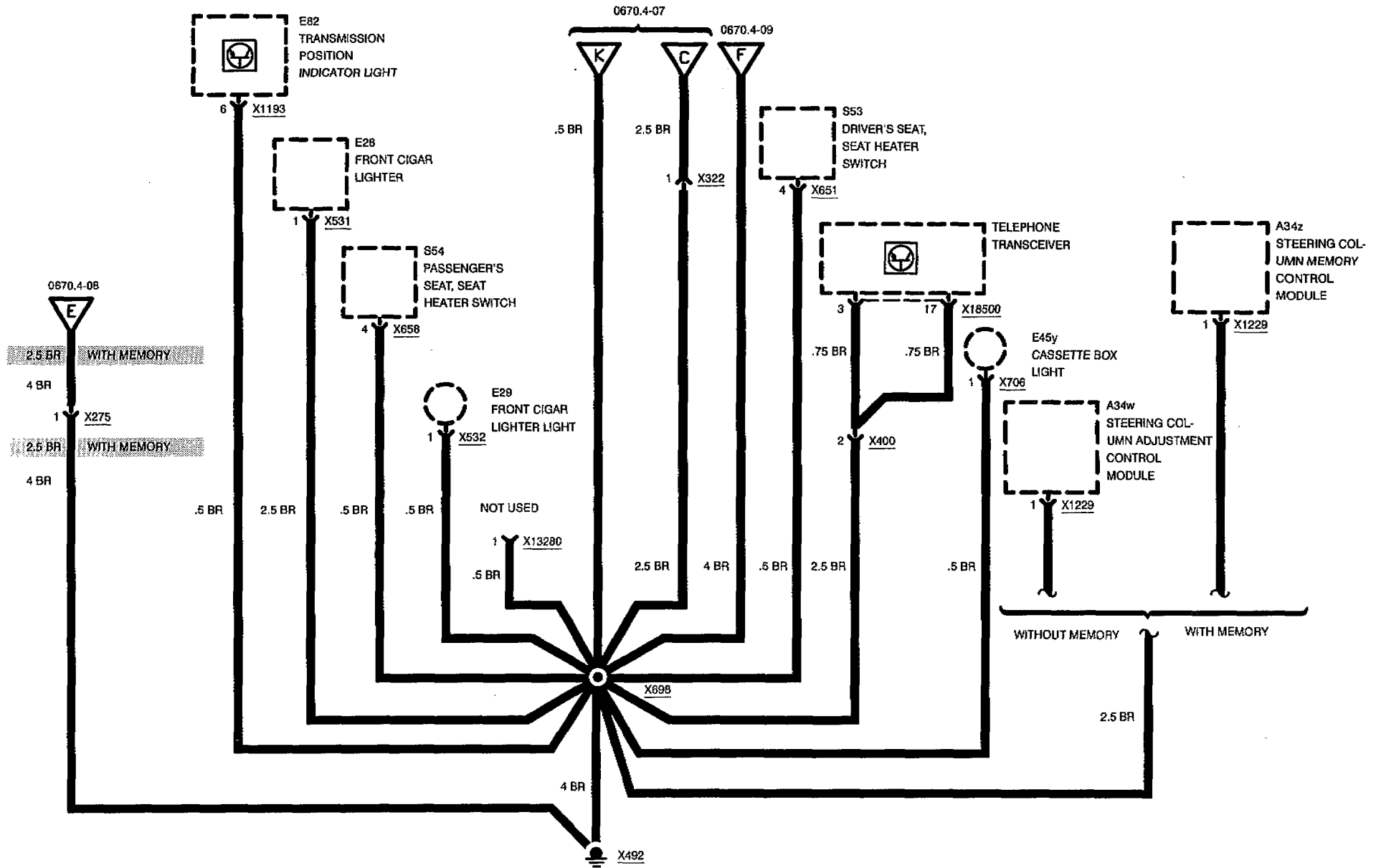
GROUND X492





GROUND DISTRIBUTION

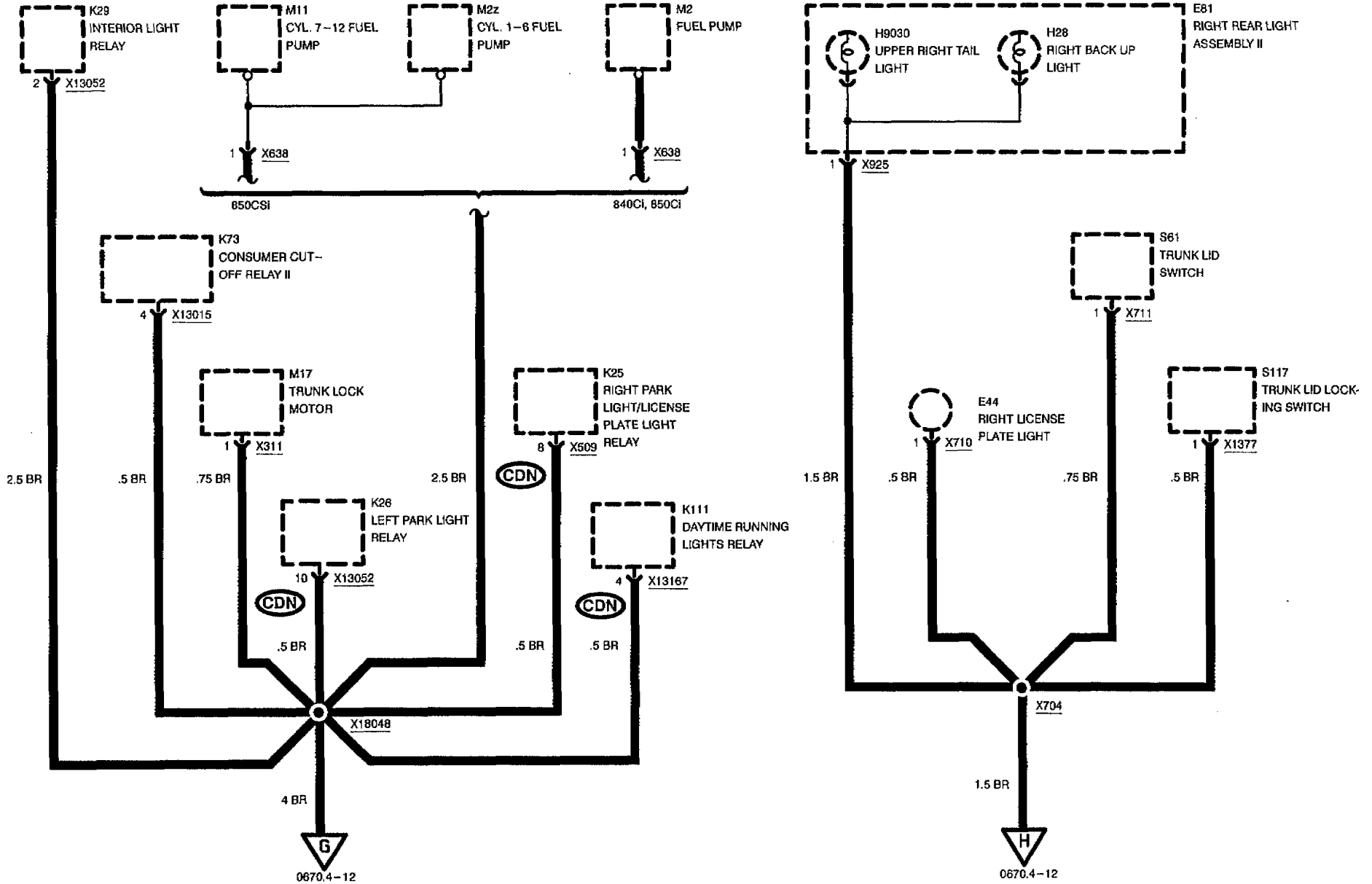
GROUND X492





GROUND DISTRIBUTION

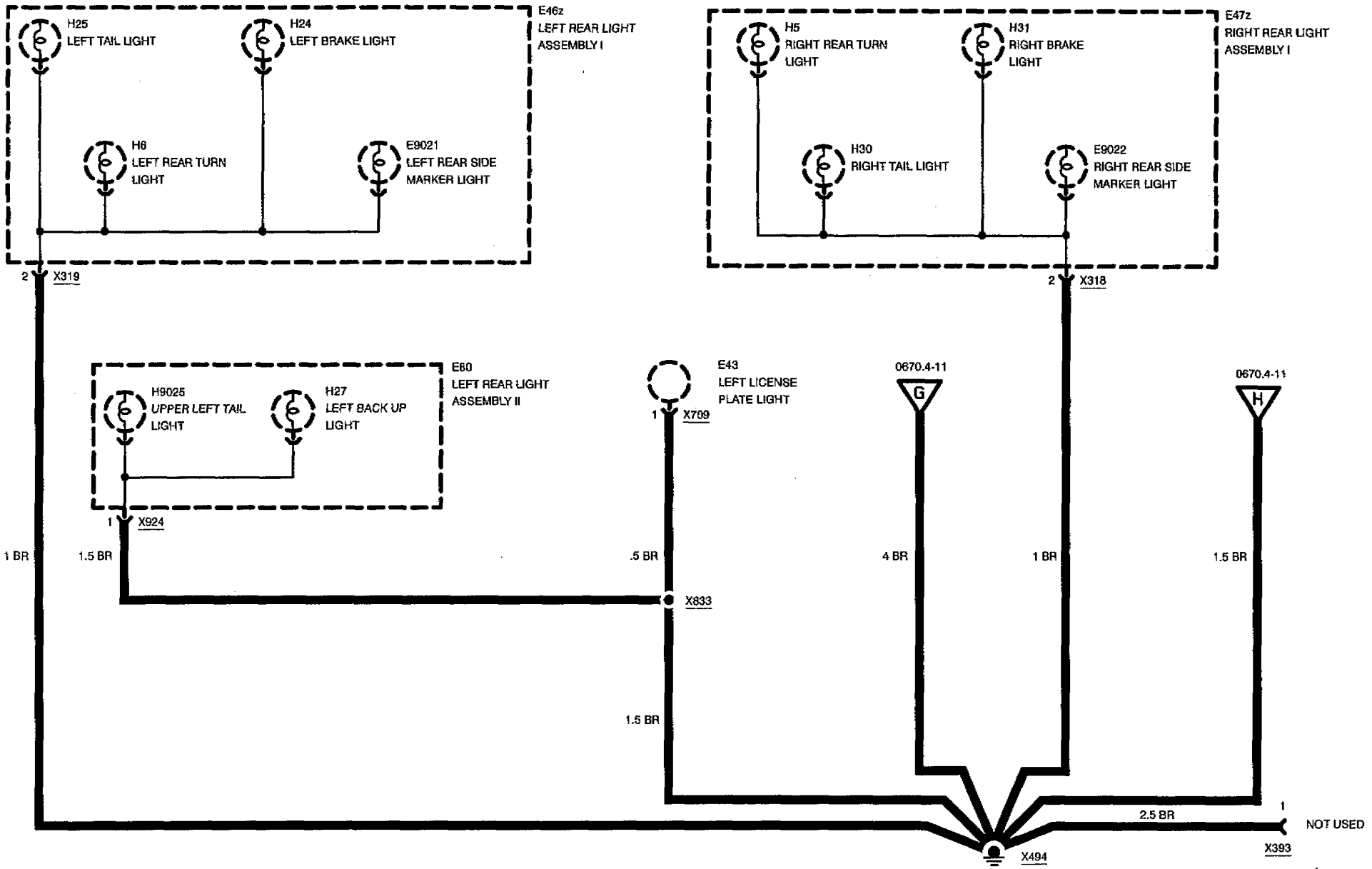
GROUND X494





GROUND DISTRIBUTION

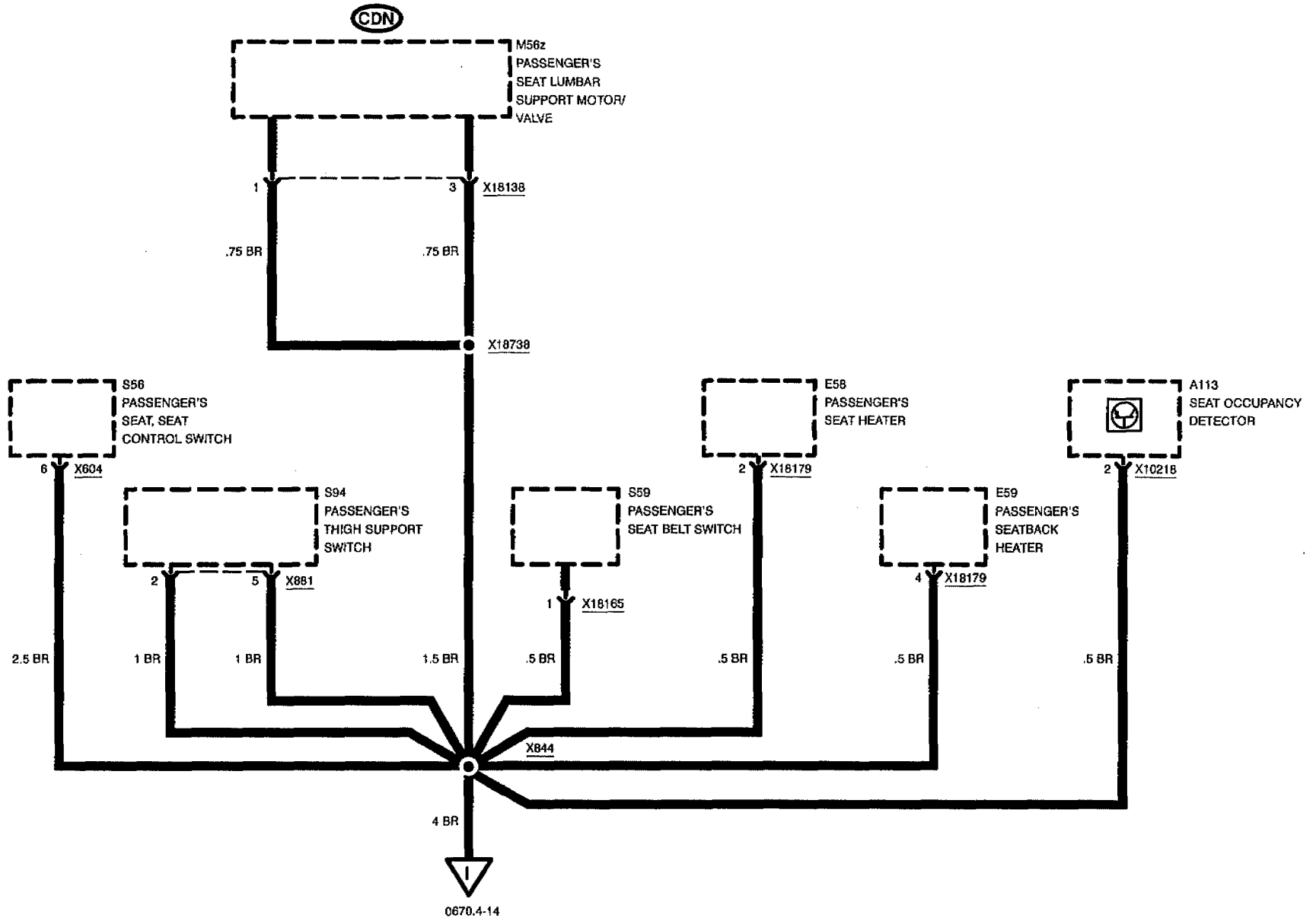
GROUND X494





GROUND DISTRIBUTION

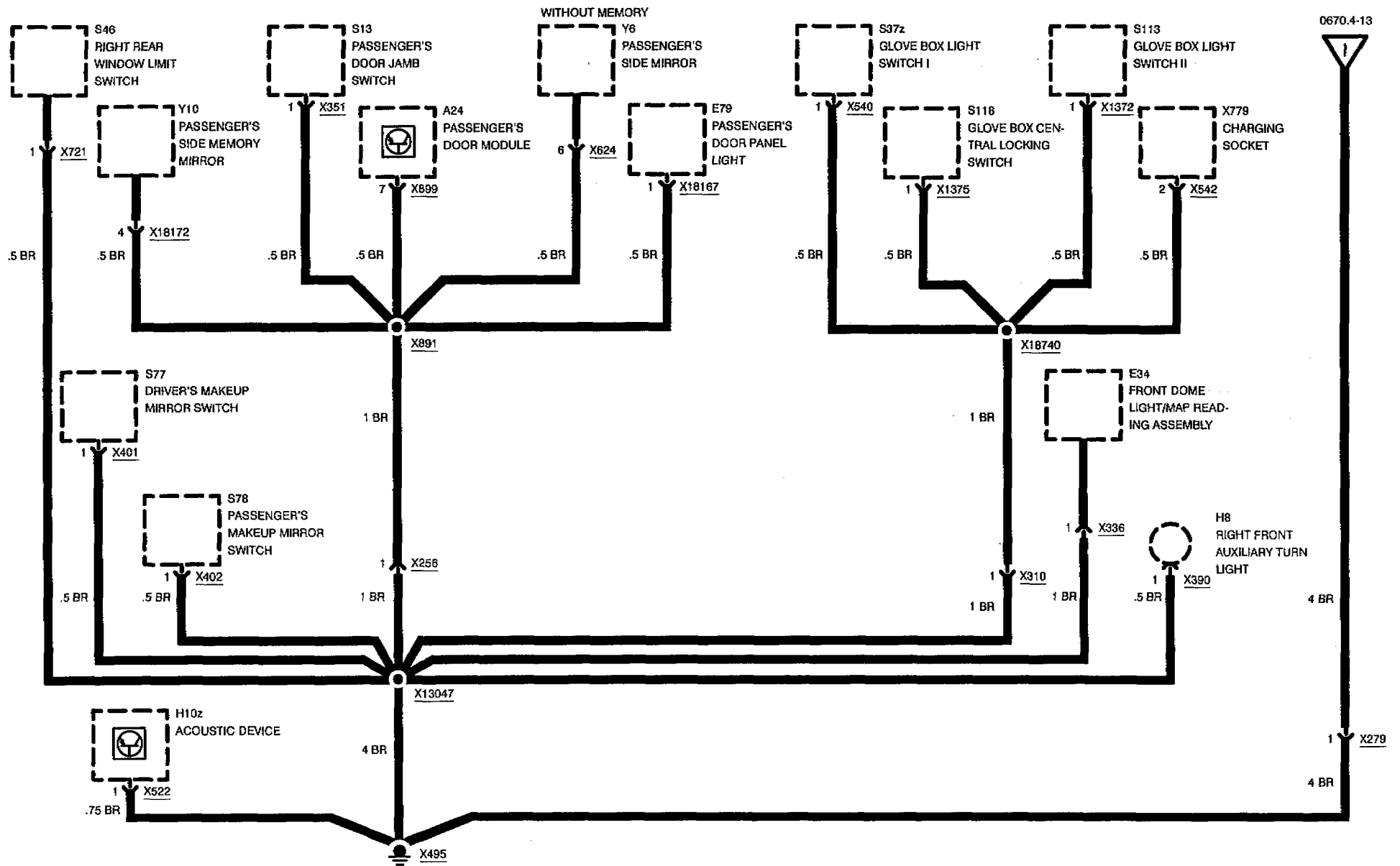
GROUND X495





GROUND DISTRIBUTION

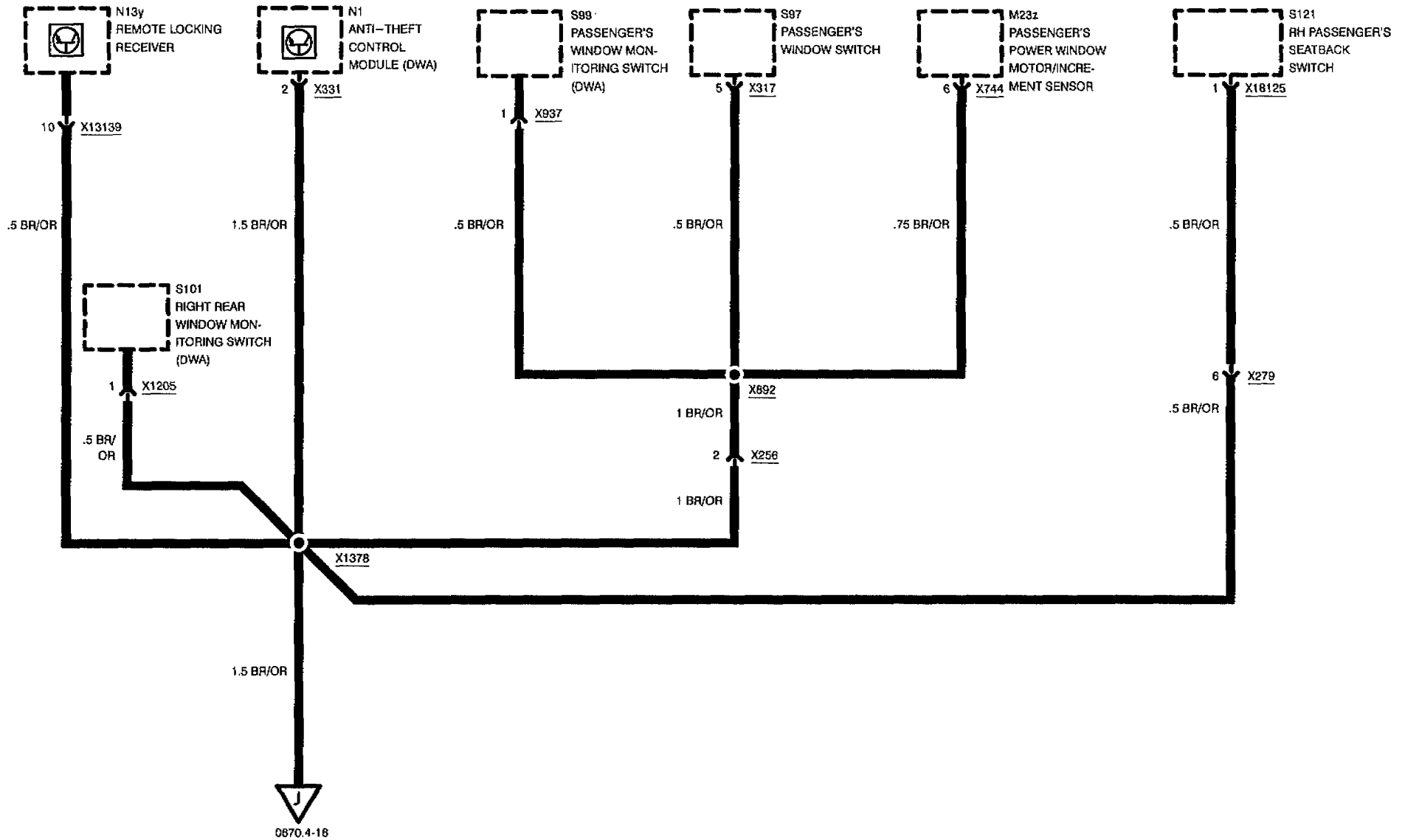
GROUND X495





GROUND DISTRIBUTION

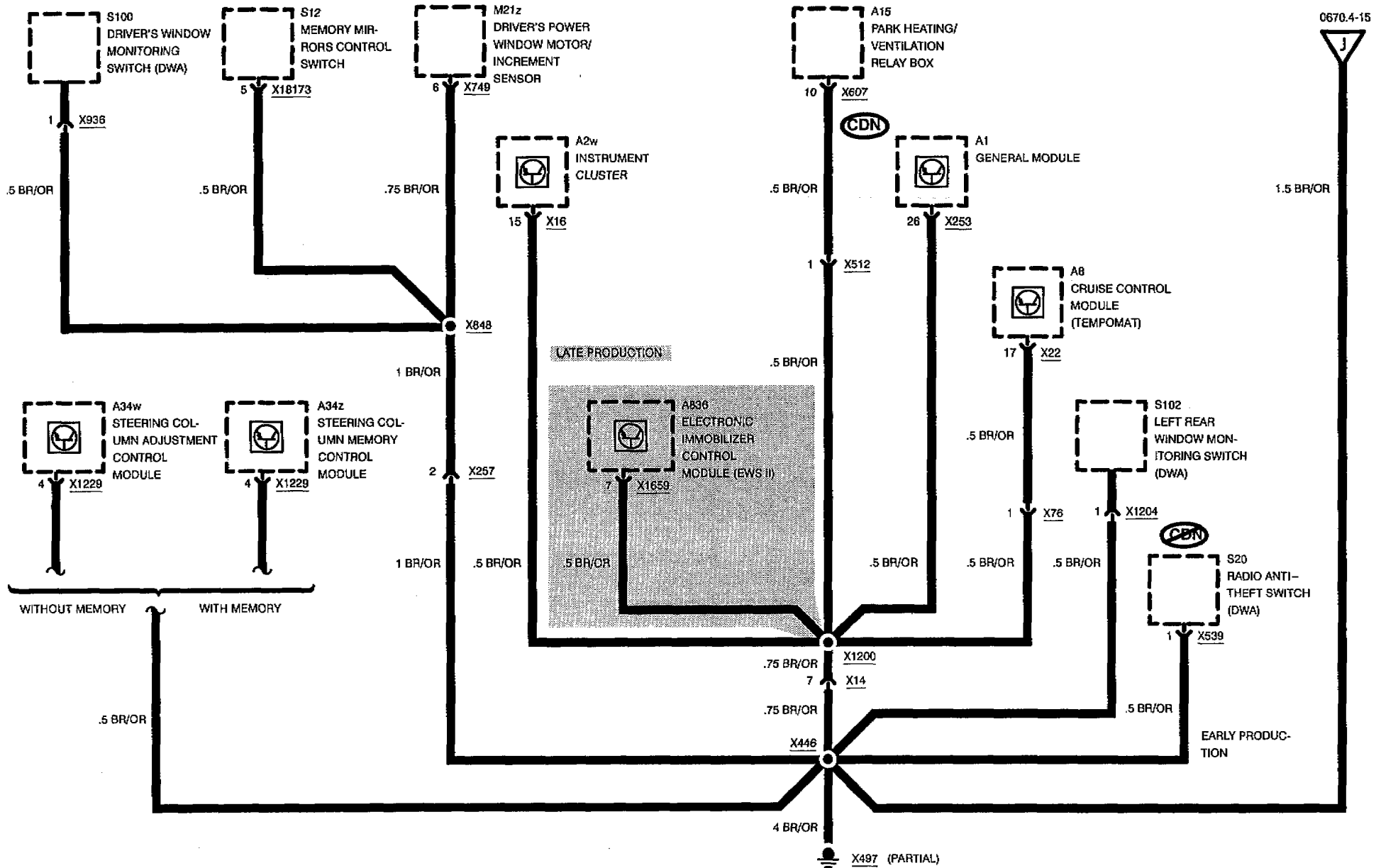
GROUND X497





GROUND DISTRIBUTION

GROUND X497

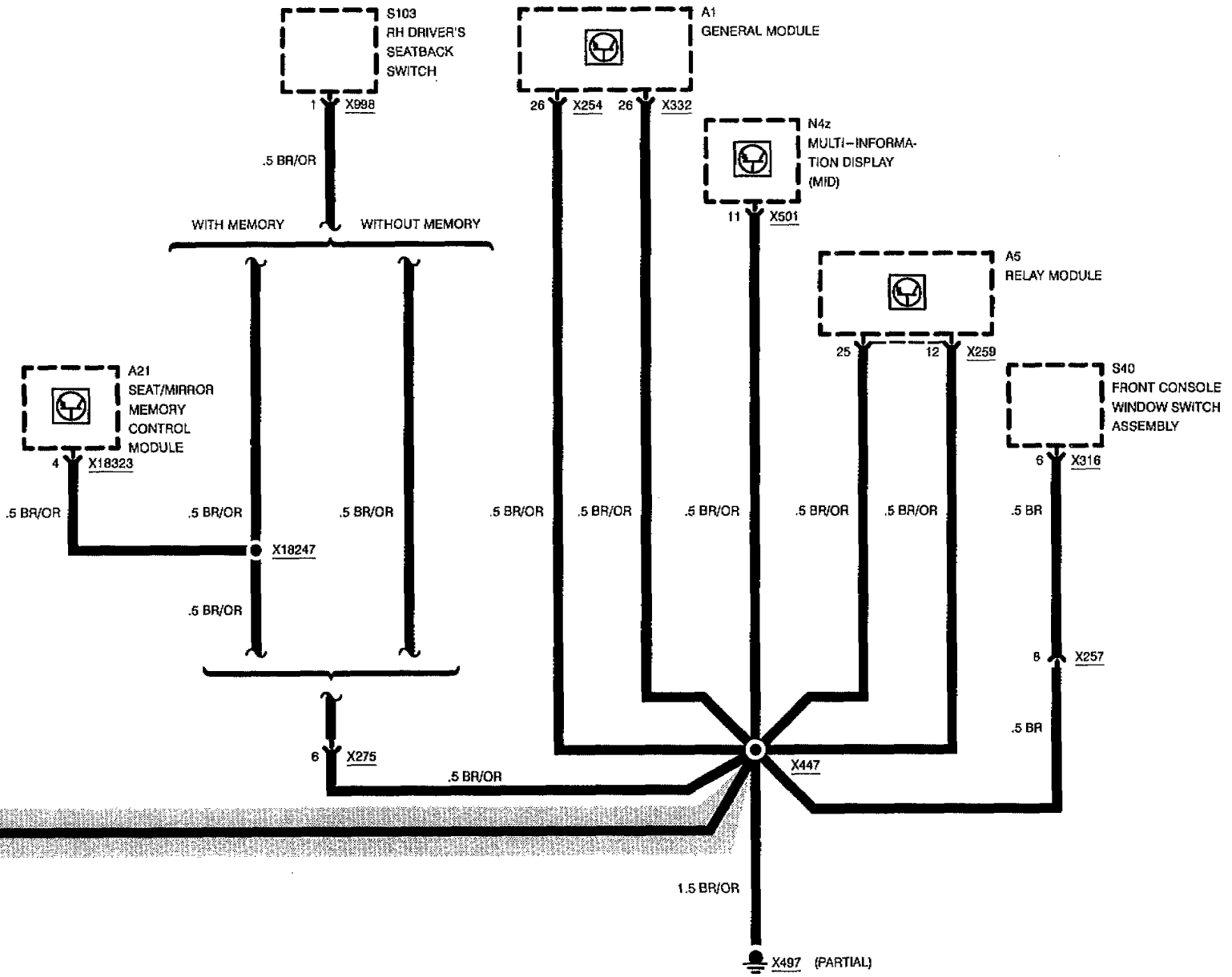
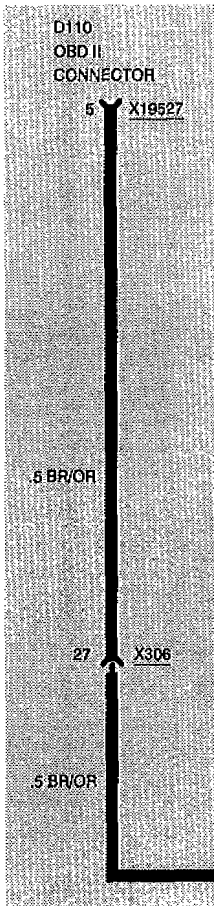




GROUND DISTRIBUTION

GROUND X497

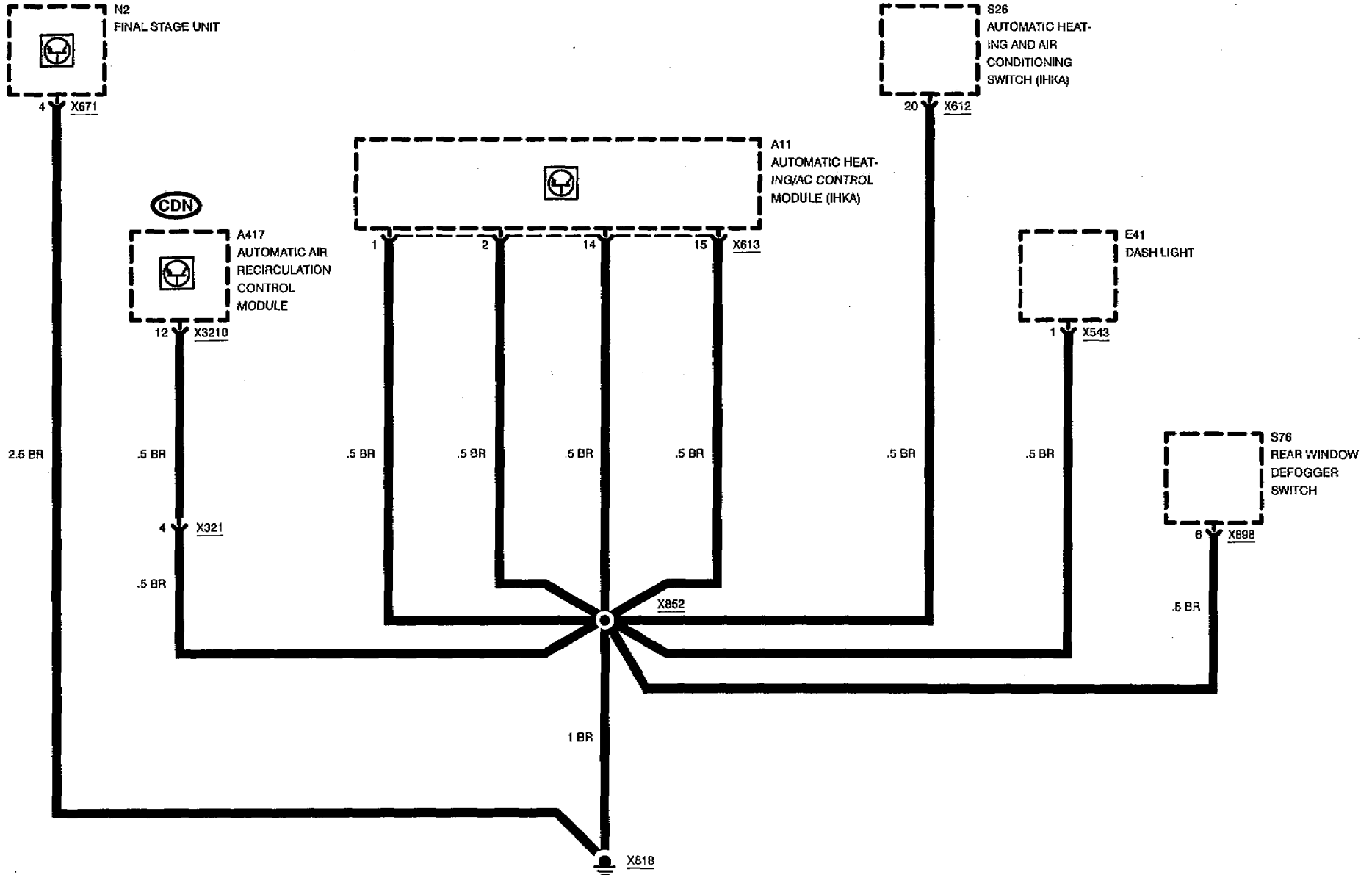
840Ci (M62)
850Ci





GROUND DISTRIBUTION

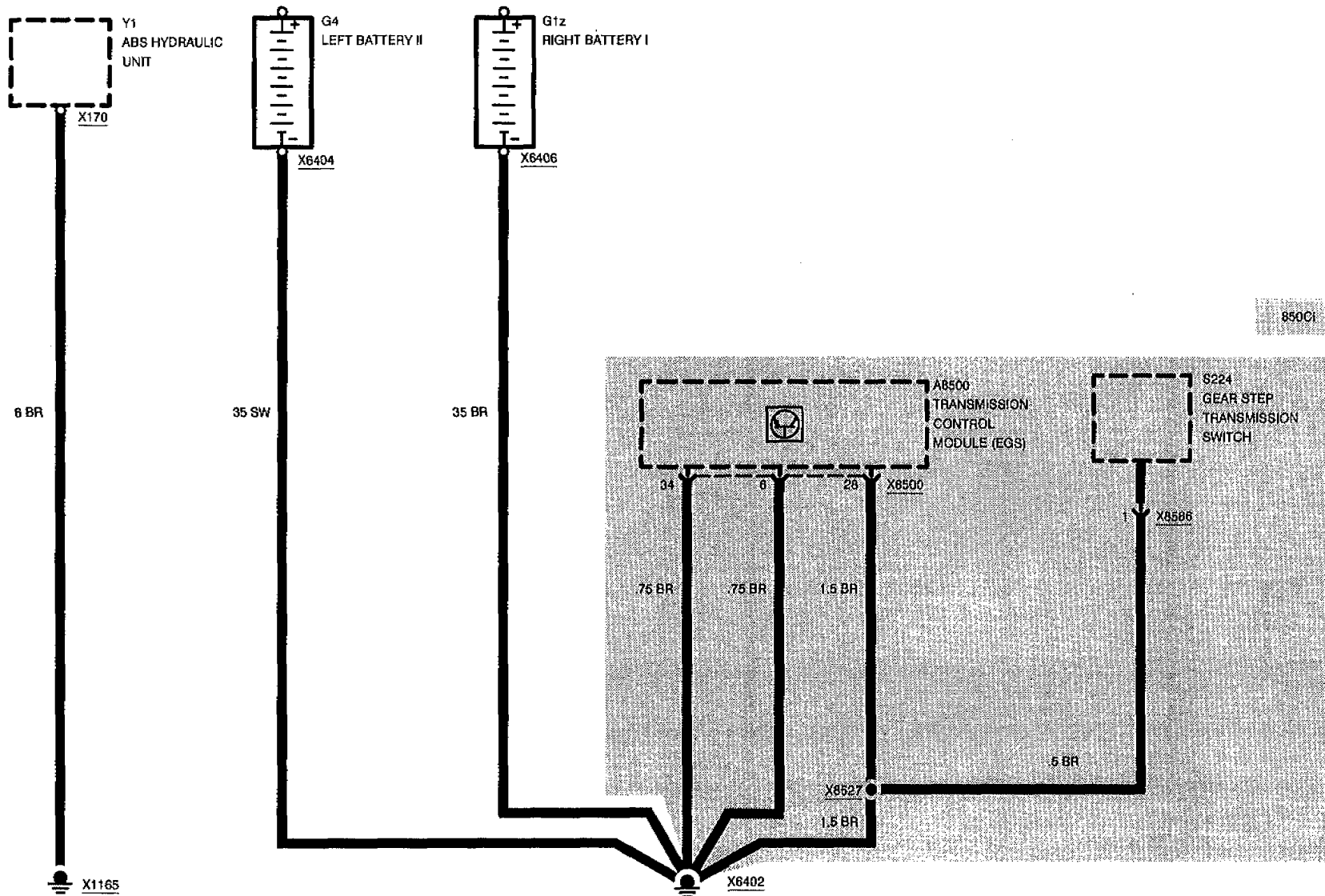
GROUND X818





GROUND DISTRIBUTION

GROUNDS X1165 AND X6402

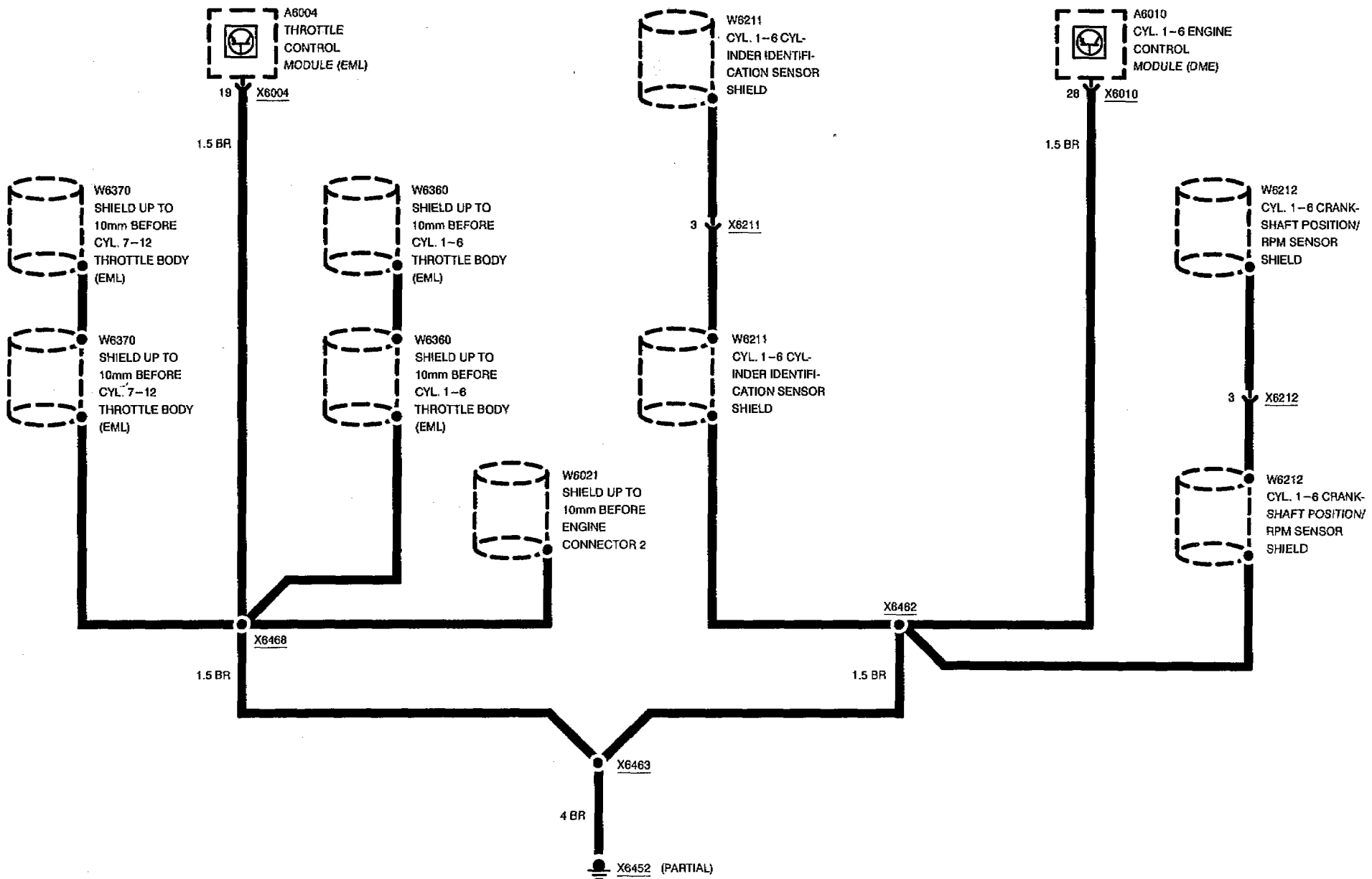




GROUND DISTRIBUTION

850CSI

GROUND X6452



02/97

0670.4-20

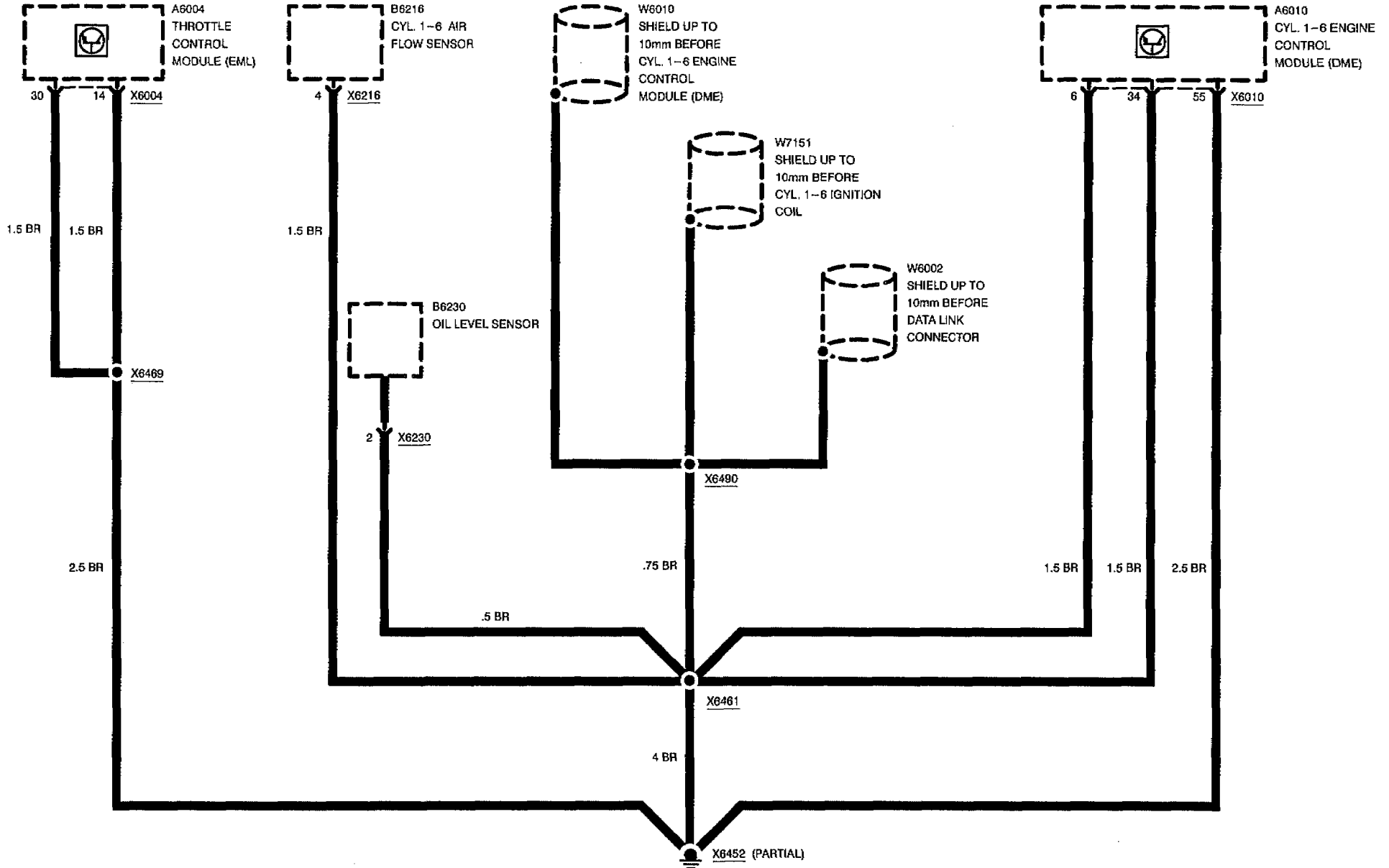
95/96



GROUND DISTRIBUTION

850CSI

GROUND X6452

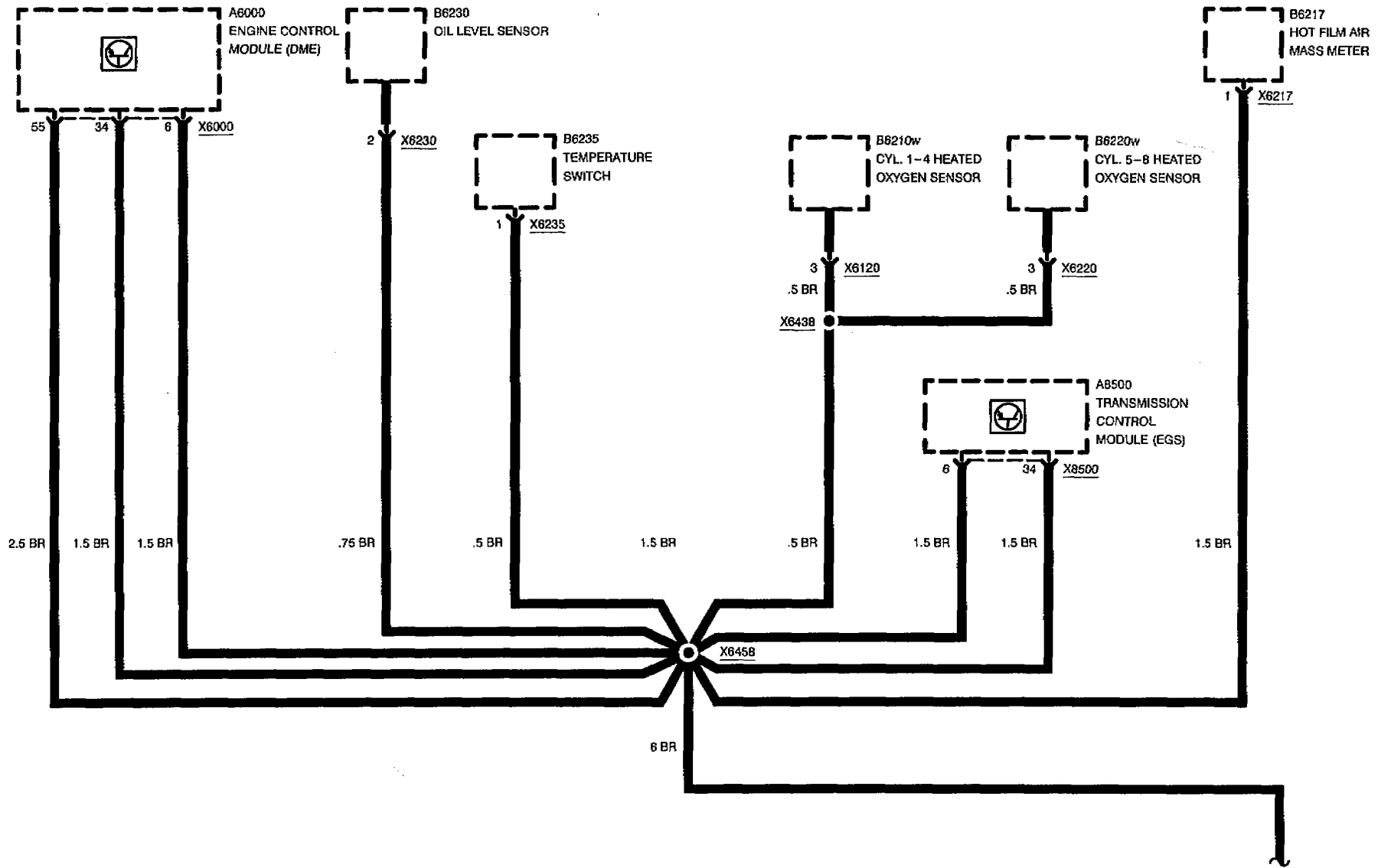


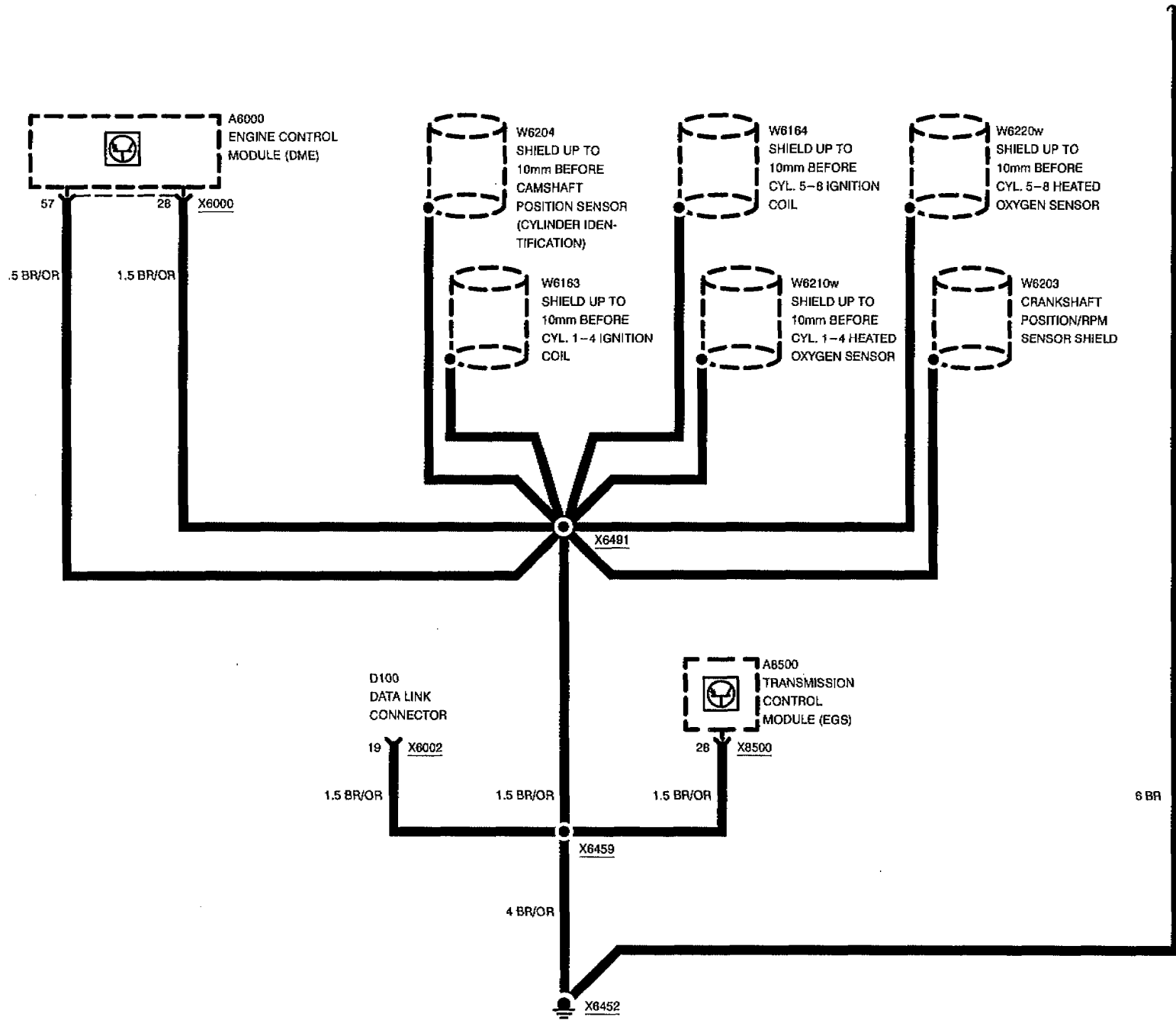


GROUND DISTRIBUTION

840Ci (M60)

GROUND X6452



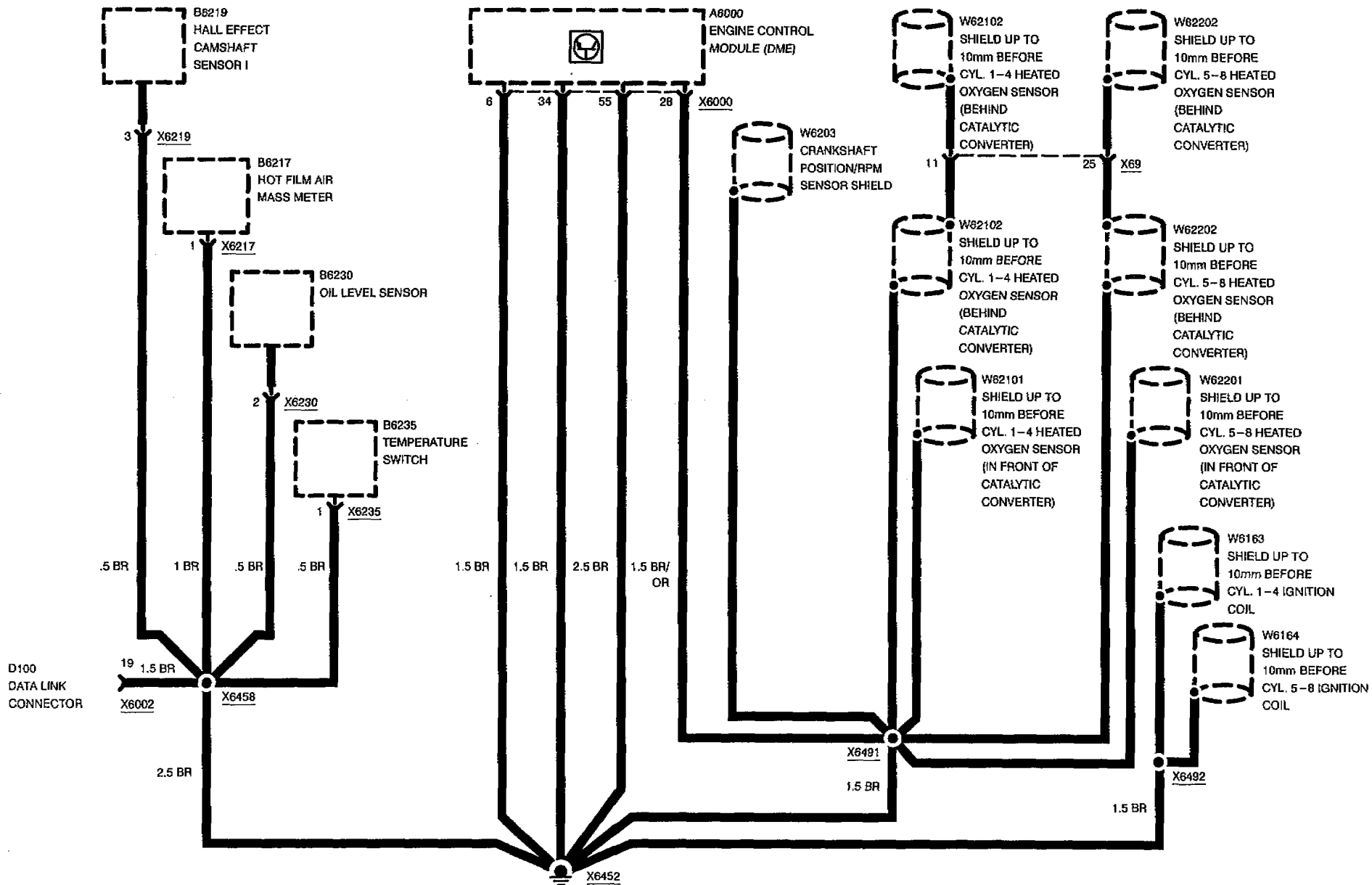




GROUND DISTRIBUTION

840Ci (M62)

GROUND X6452

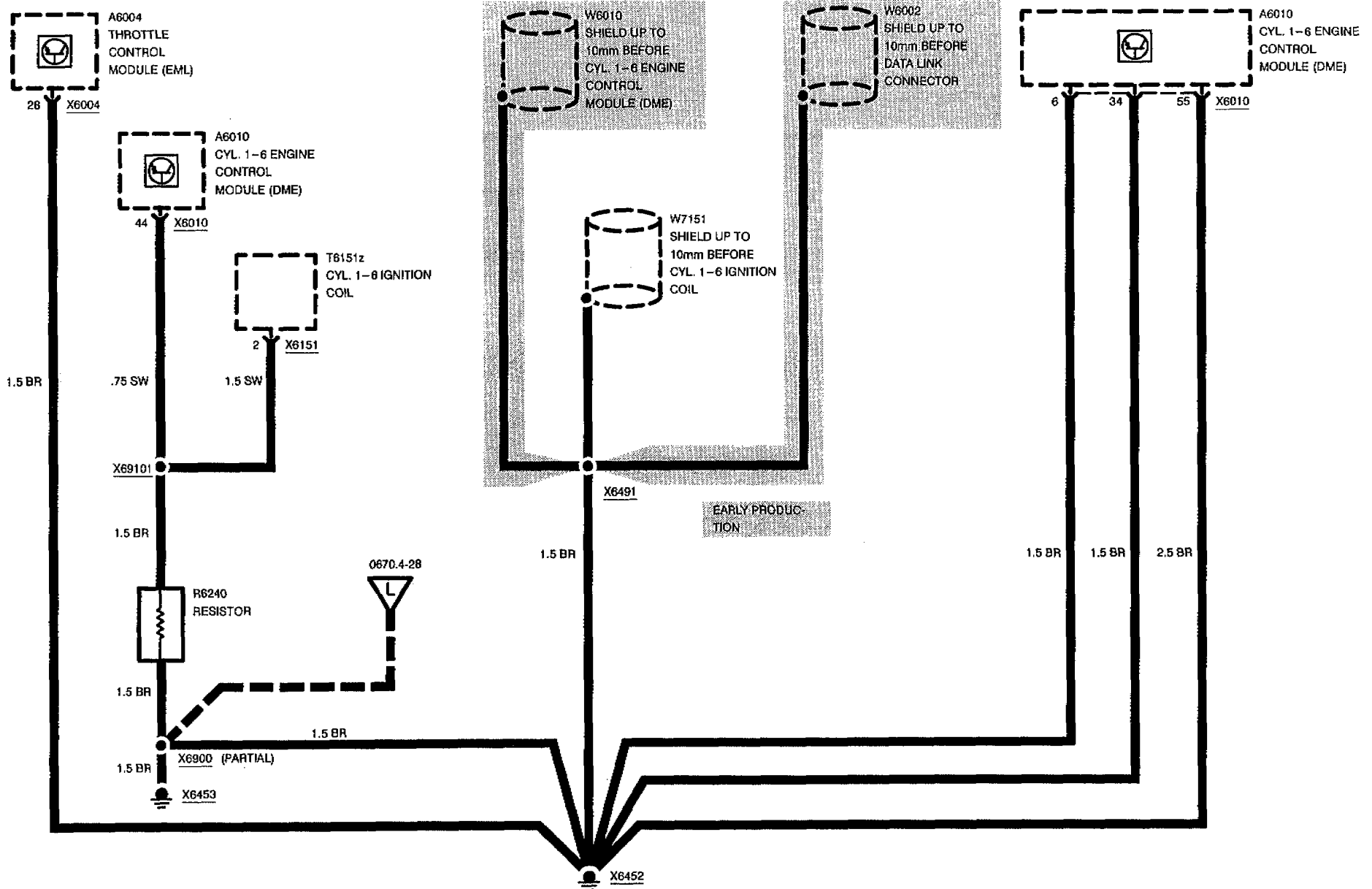




GROUND DISTRIBUTION

850CI

GROUND X6452

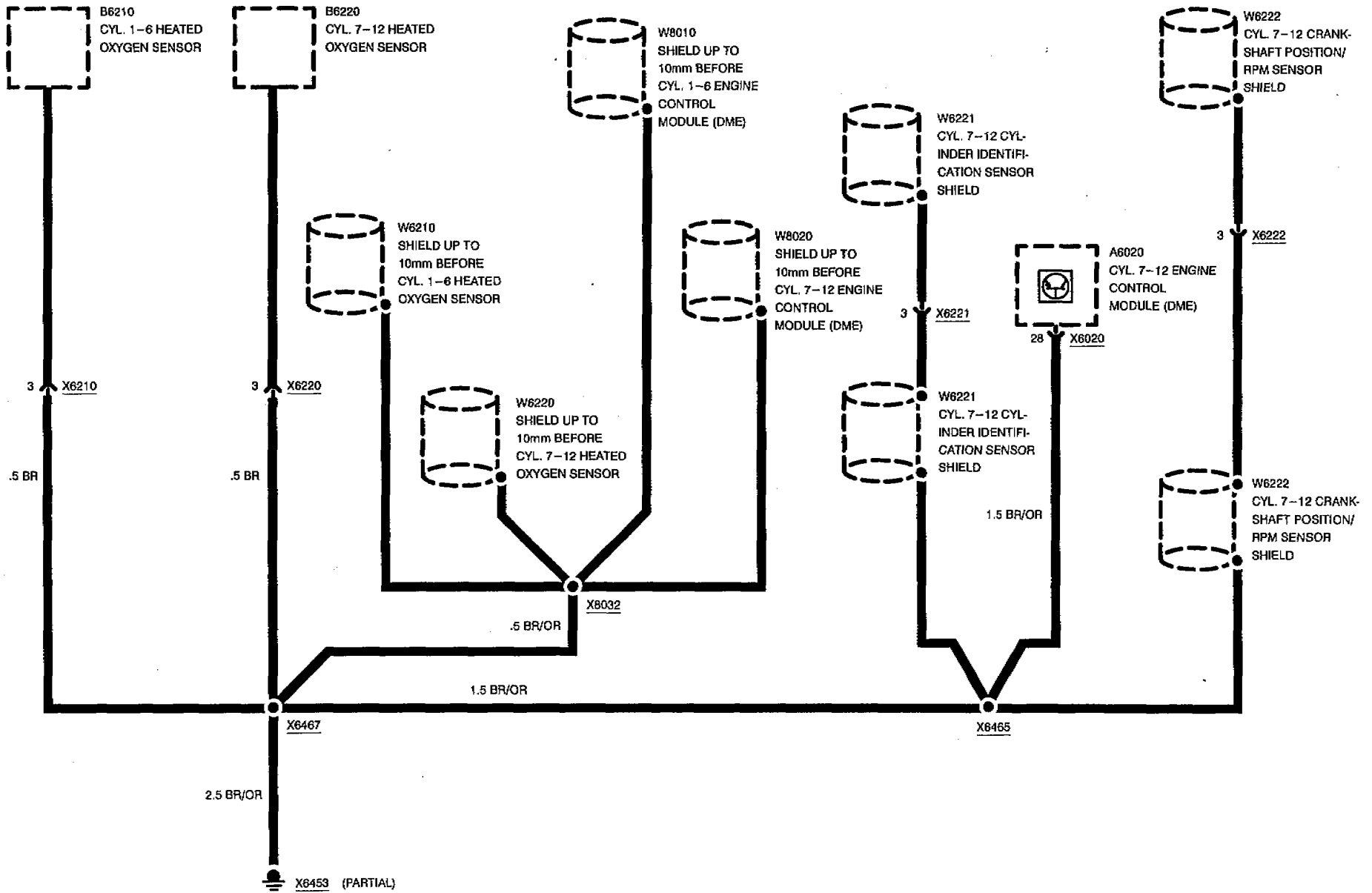




GROUND DISTRIBUTION

850CSI

GROUND X6453

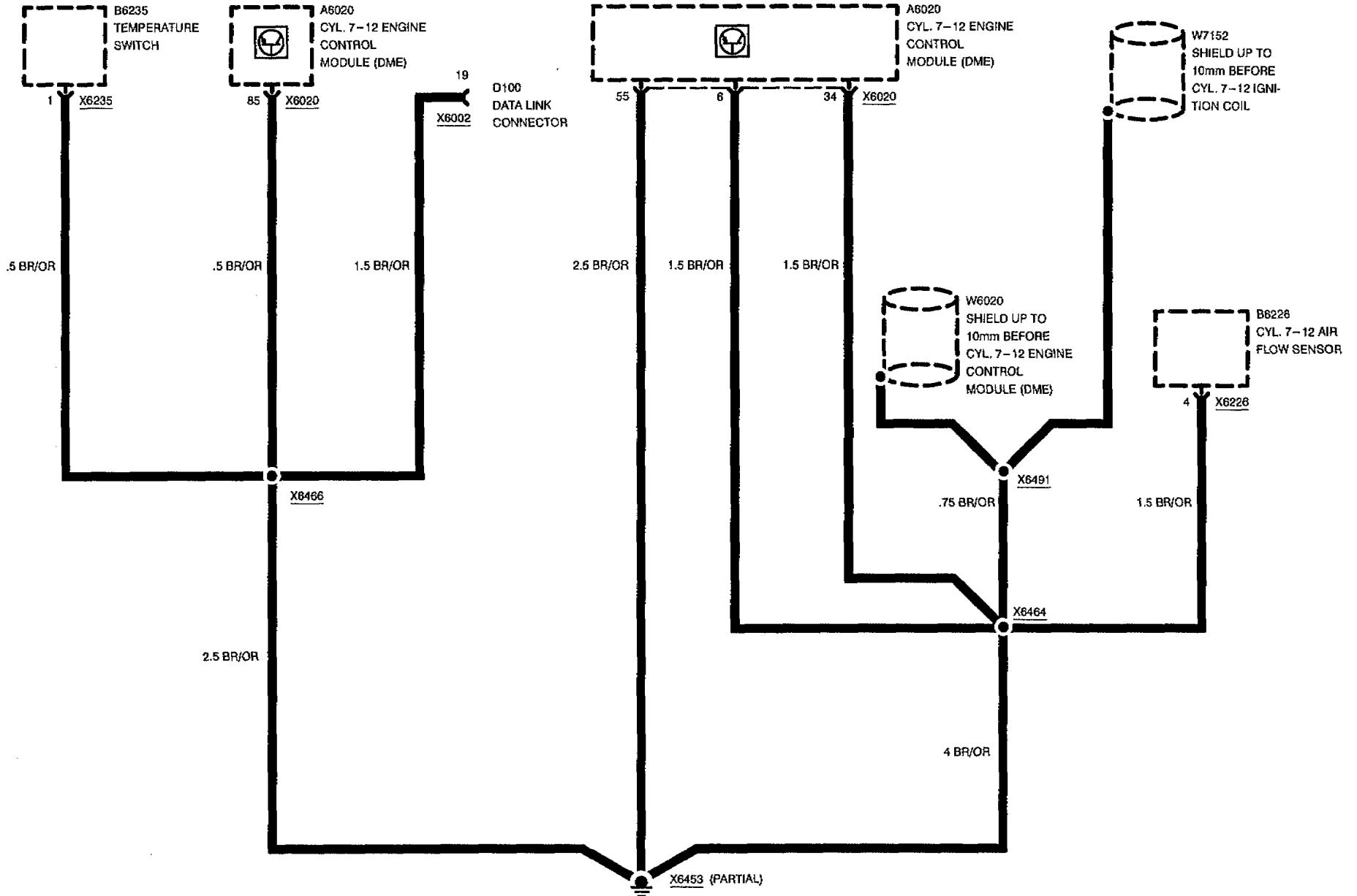




GROUND DISTRIBUTION

850CSi

GROUND X6453

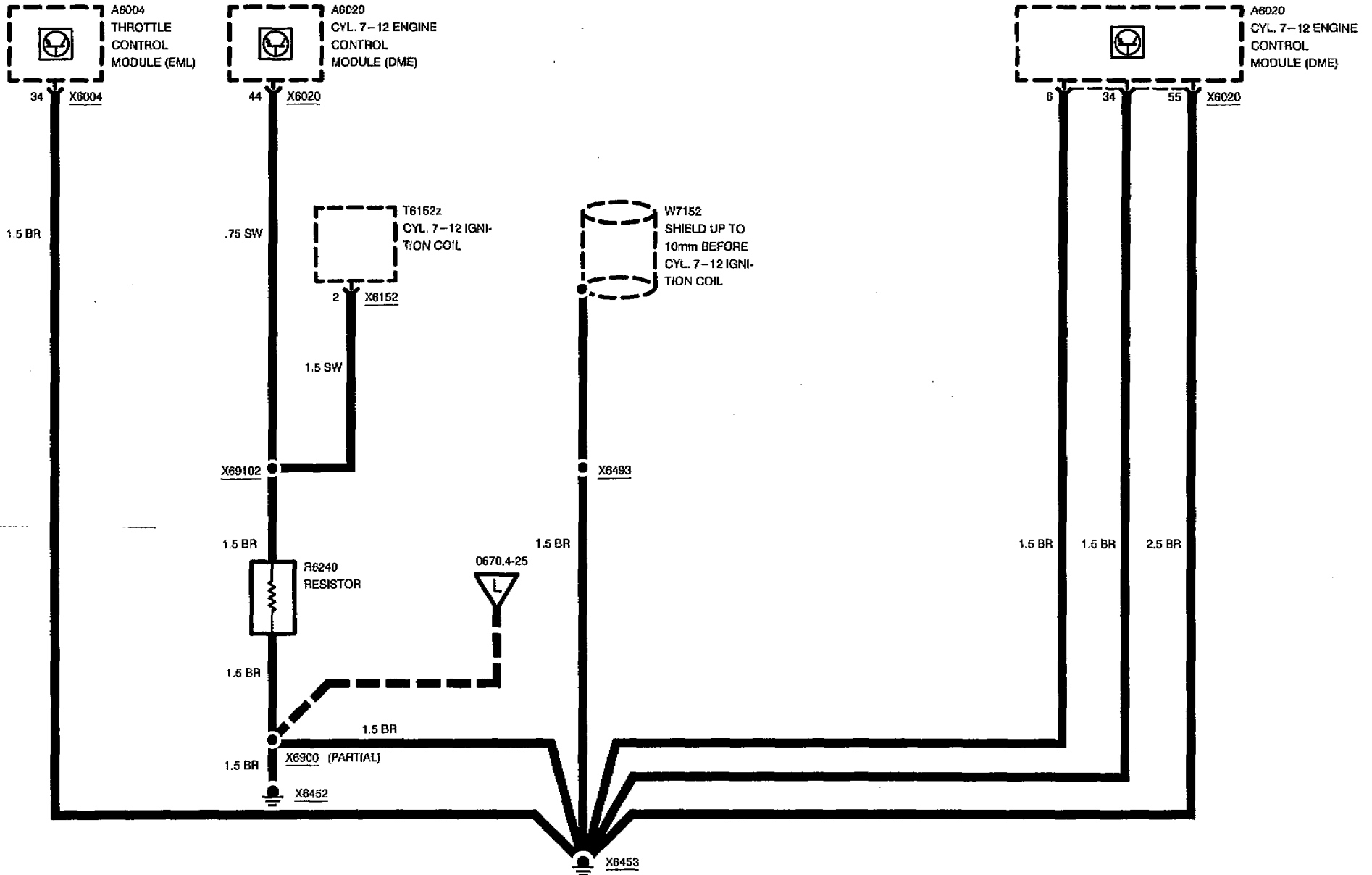




GROUND DISTRIBUTION

850Ci

GROUND X6453

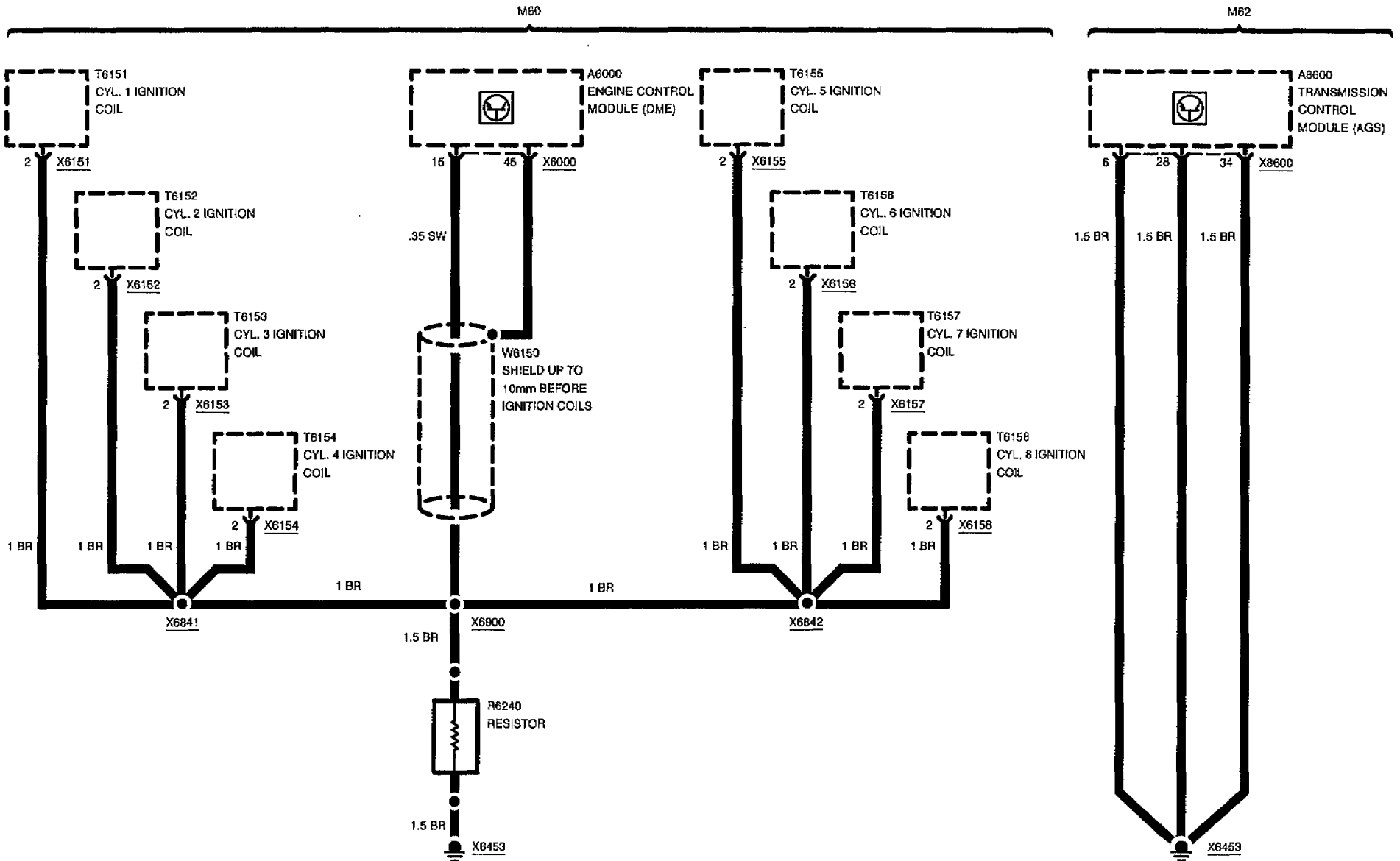




GROUND DISTRIBUTION

GROUND X6453

840Ci

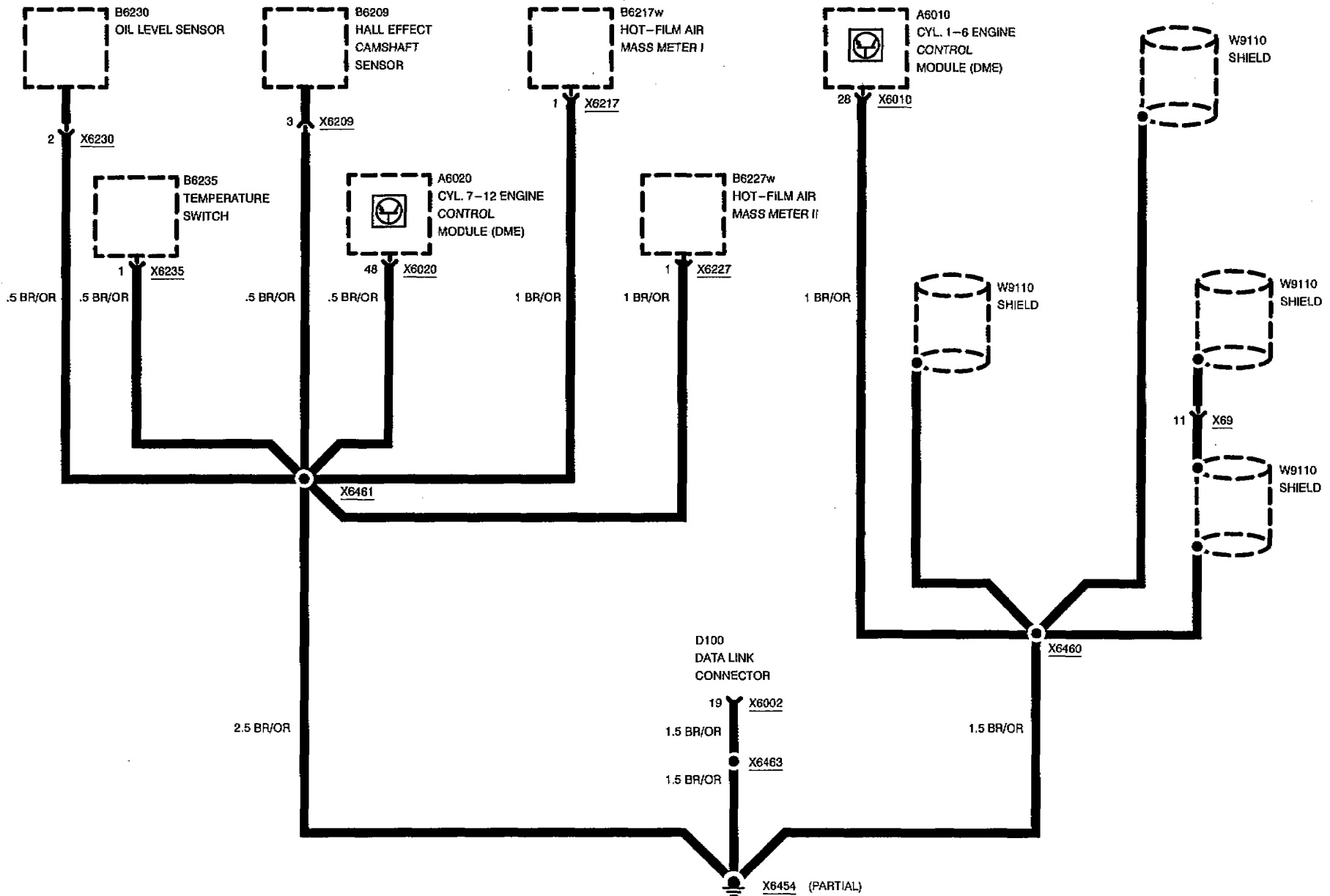




GROUND DISTRIBUTION

850Ci

GROUND X6454

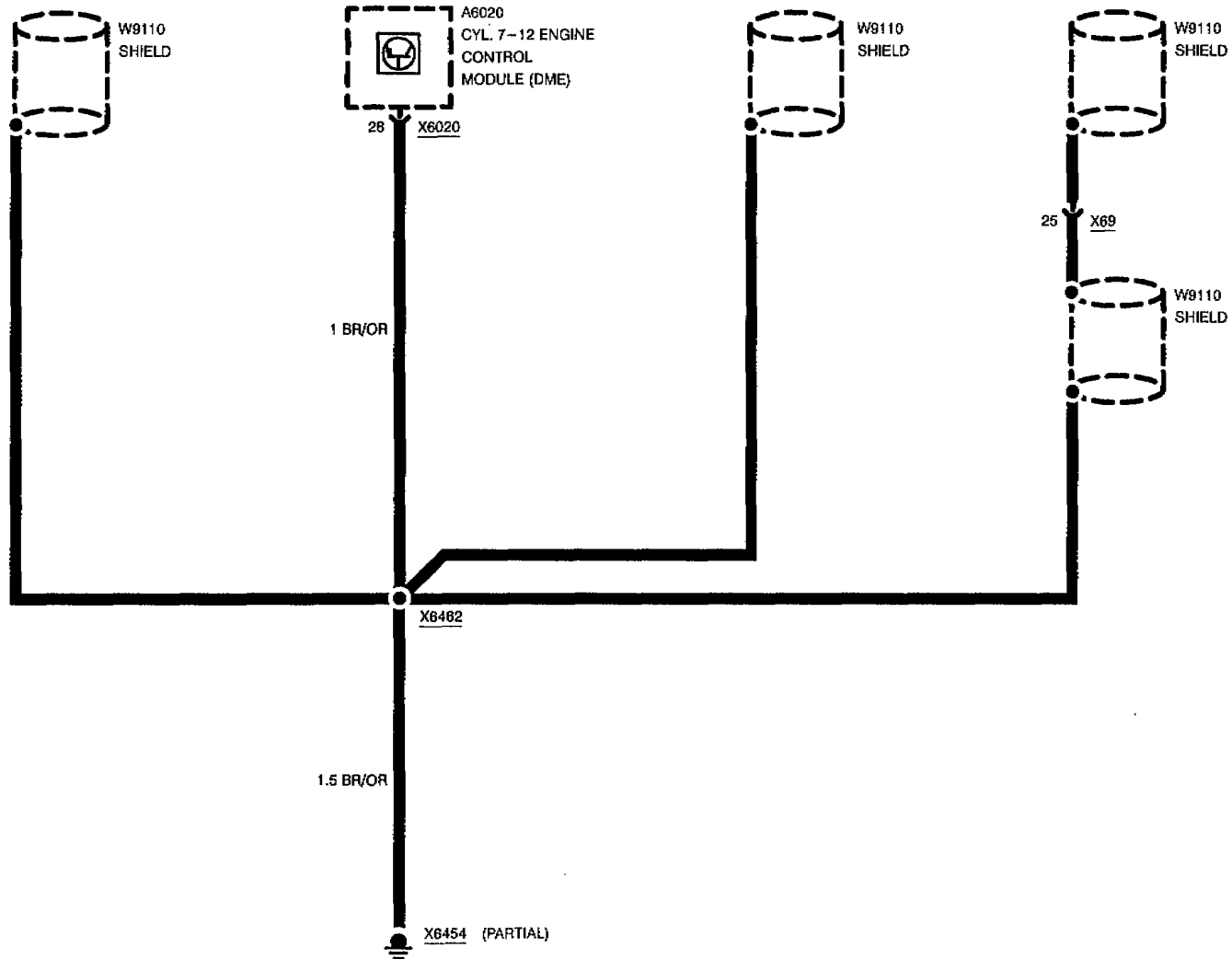




GROUND DISTRIBUTION

850Ci

GROUND X6454

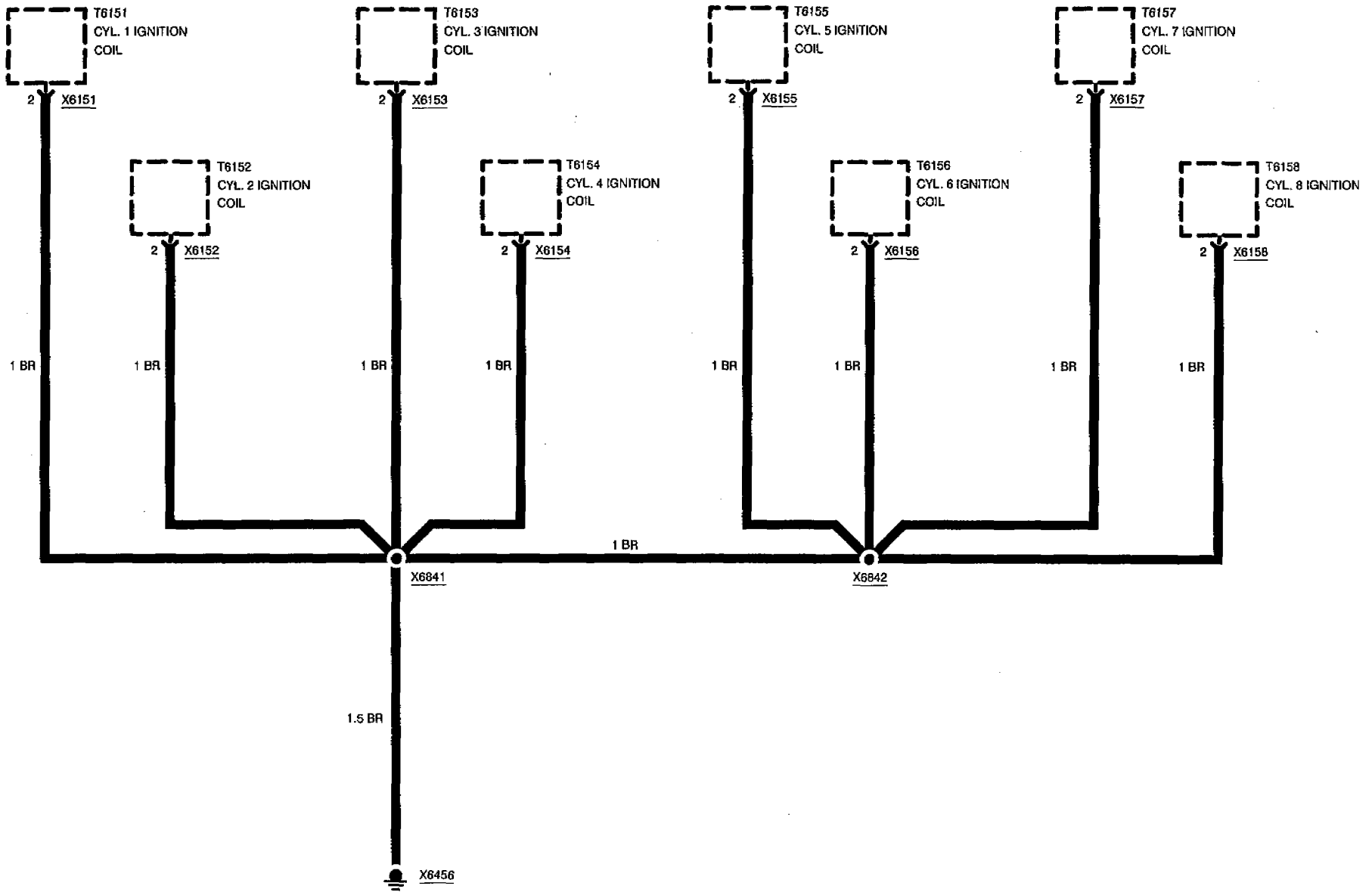




GROUND DISTRIBUTION

840Ci (M62)

GROUND X6456

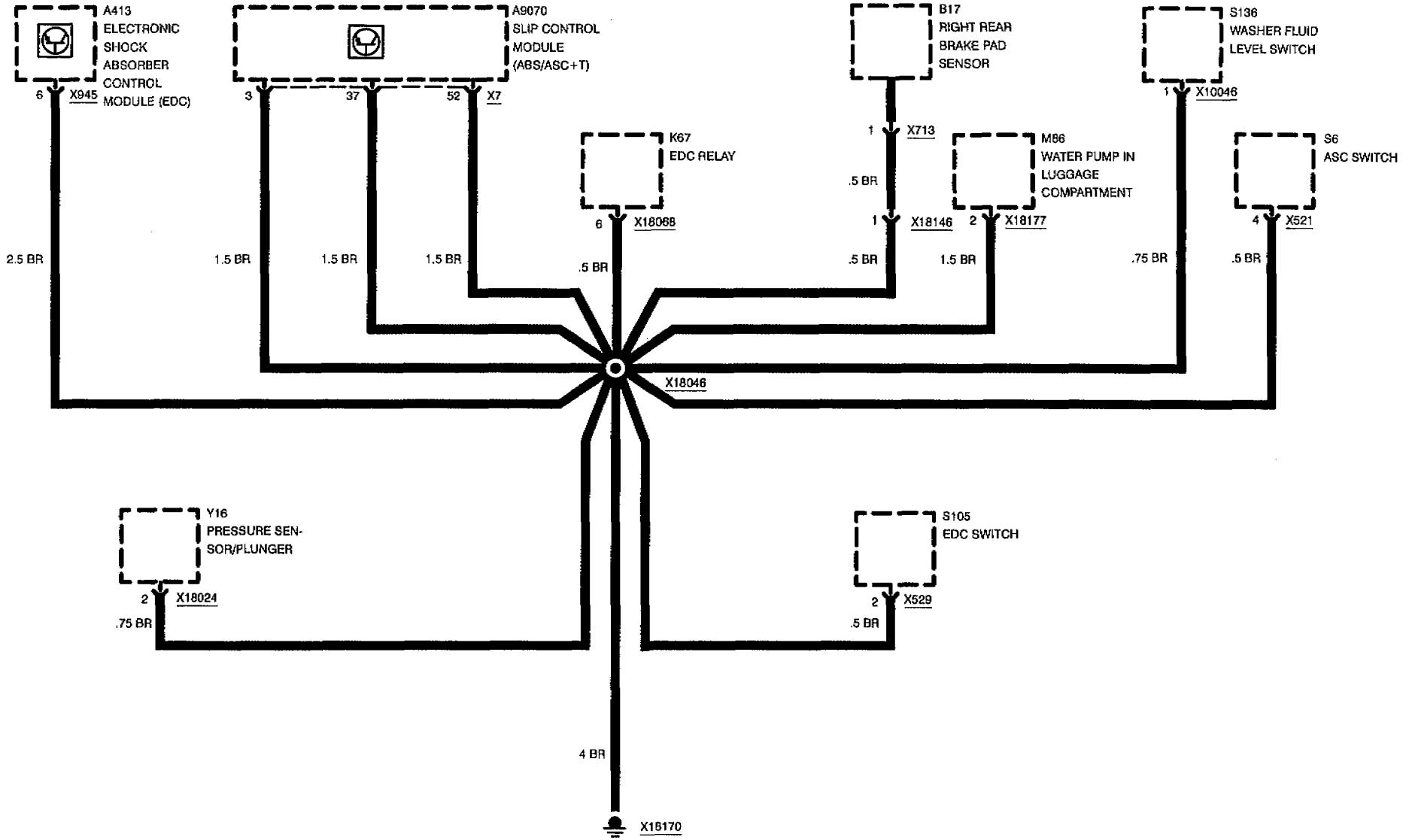




GROUND DISTRIBUTION

850CSI

GROUND X18170

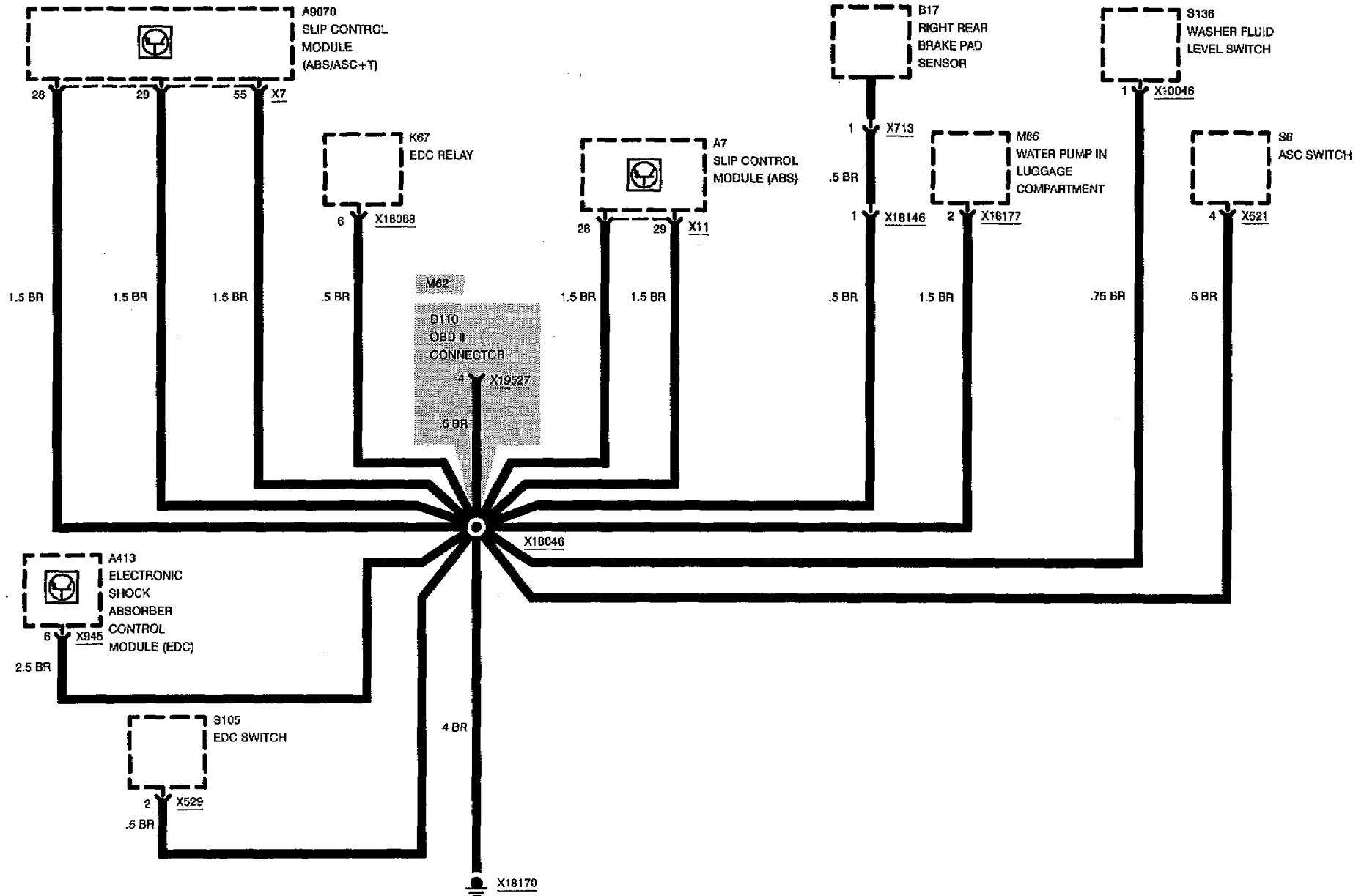




GROUND DISTRIBUTION

840Ci

GROUND X18170

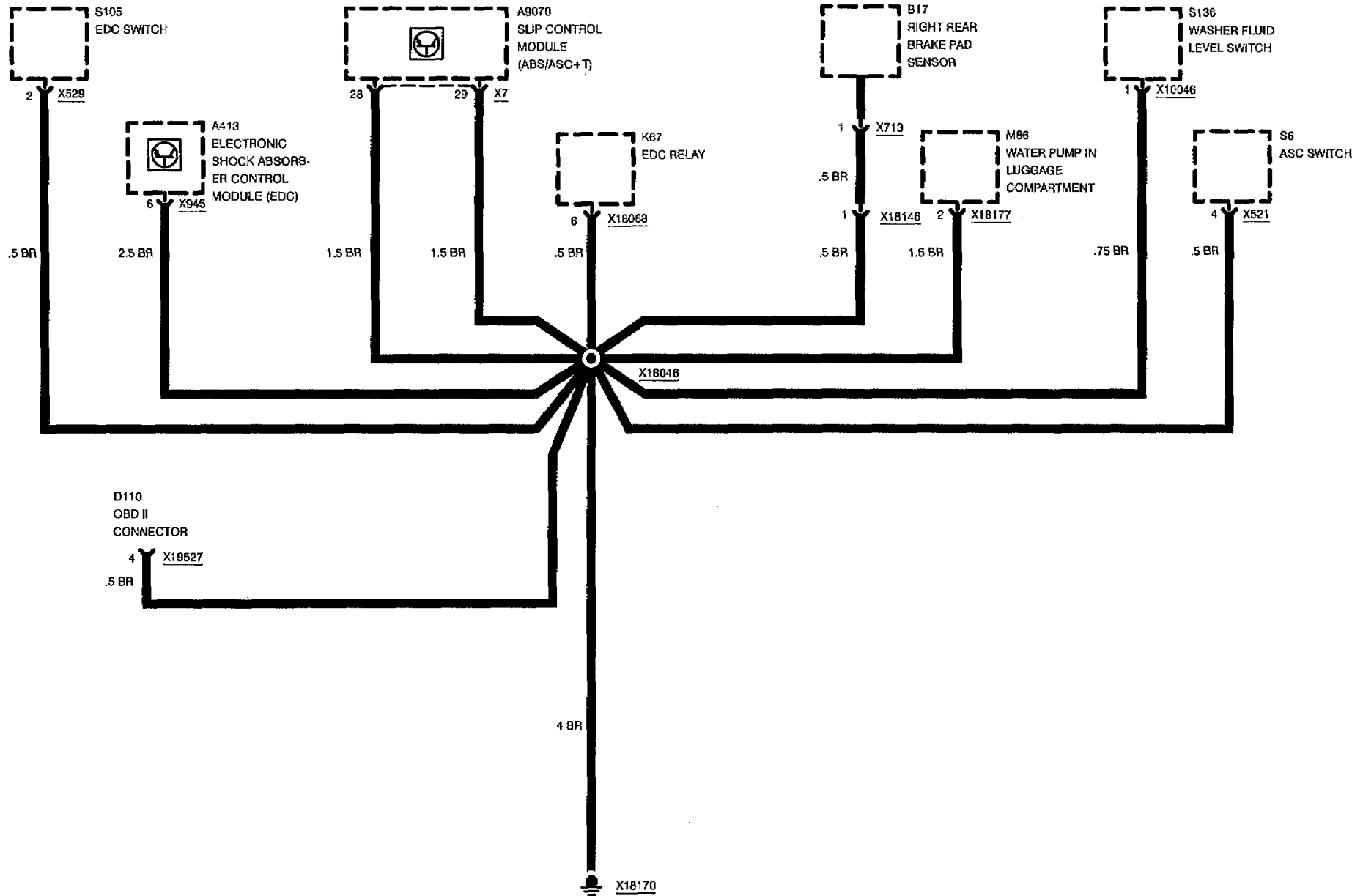




GROUND DISTRIBUTION

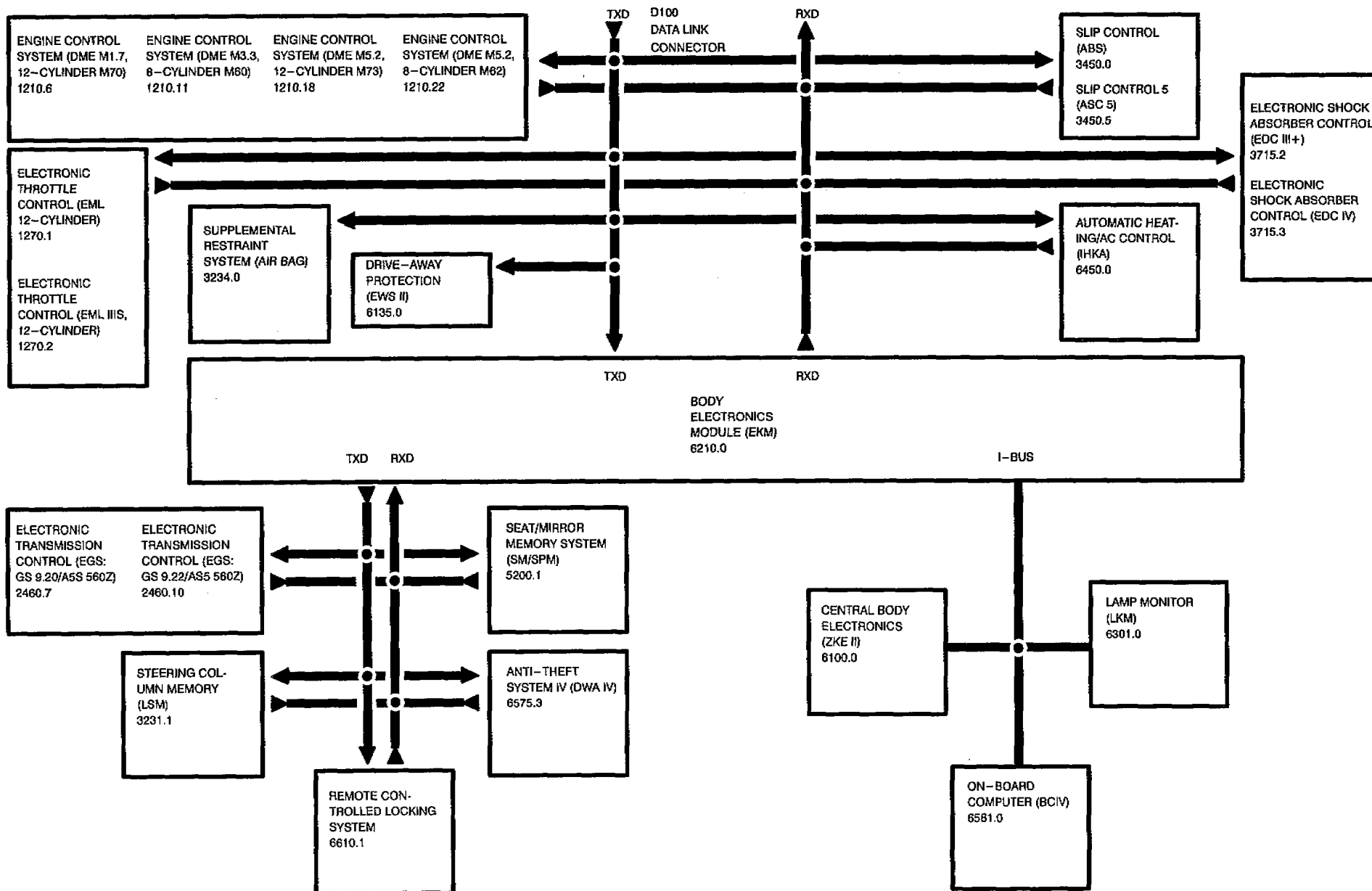
850Ci

GROUND X18170





DATA LINK BLOCK DIAGRAM

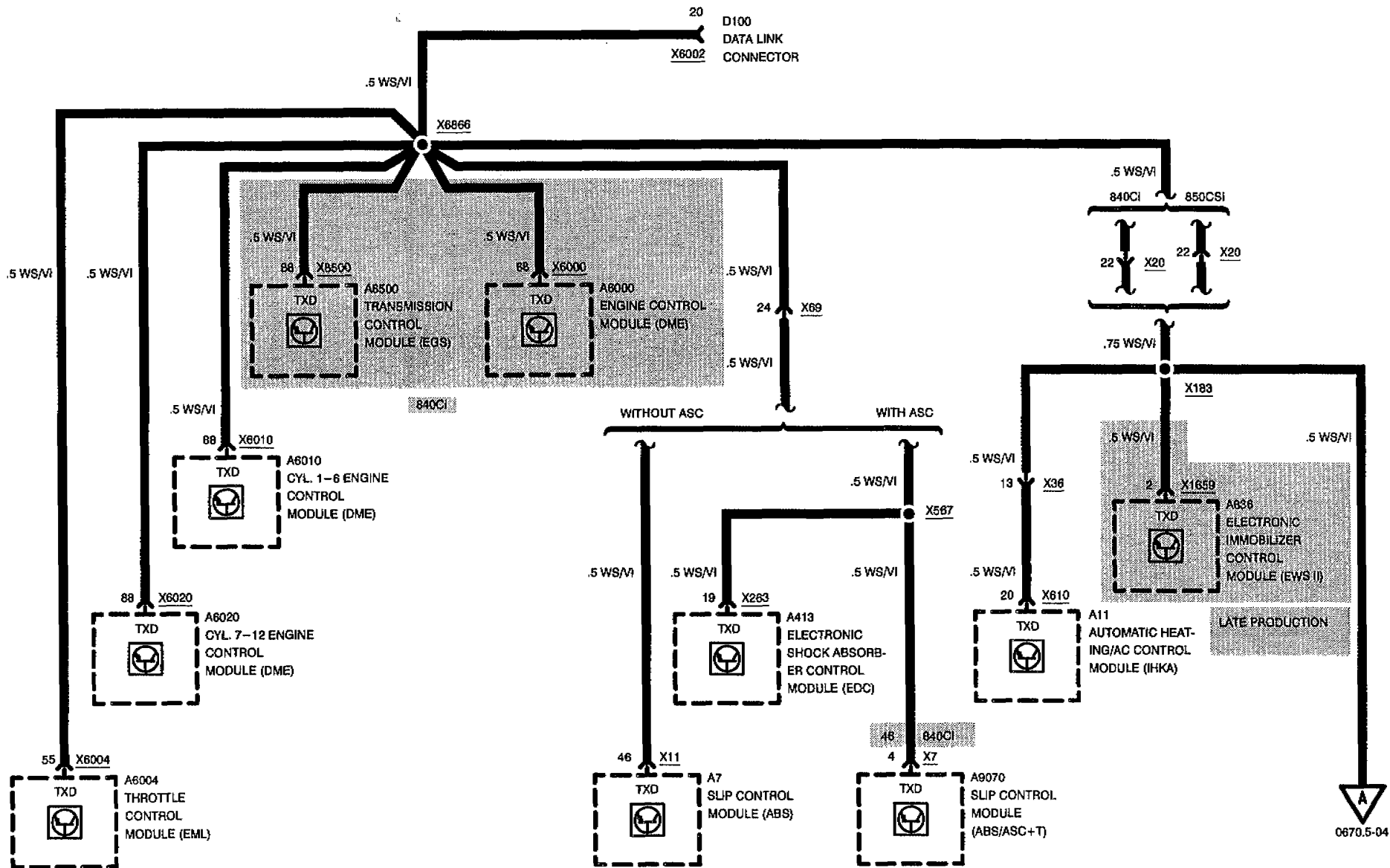




DATA LINK

TXD, PIN 20

840Ci (M60), 850CSI

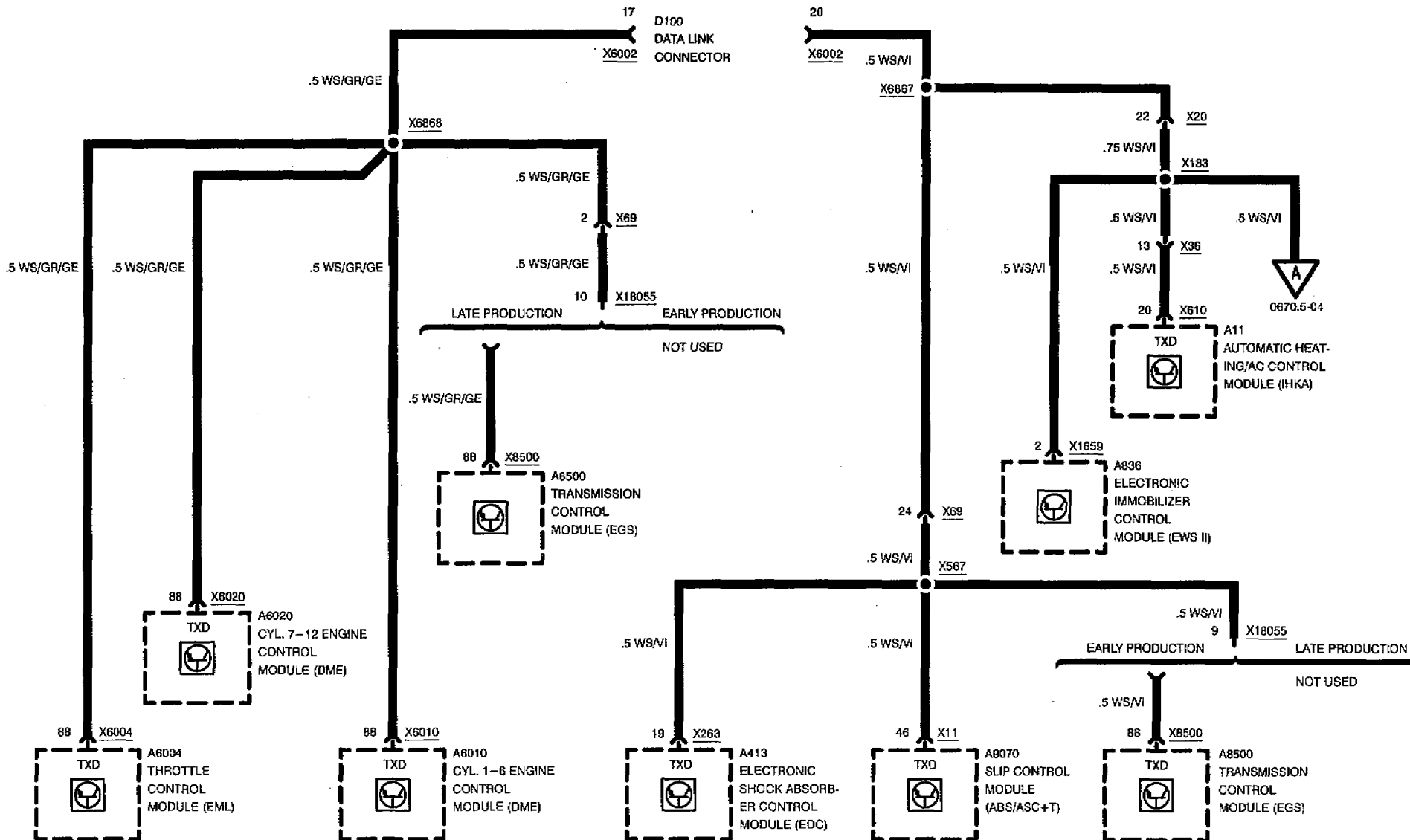




DATA LINK

TXD, PINS 17 AND 20

850Ci



02/97

0670.5-02

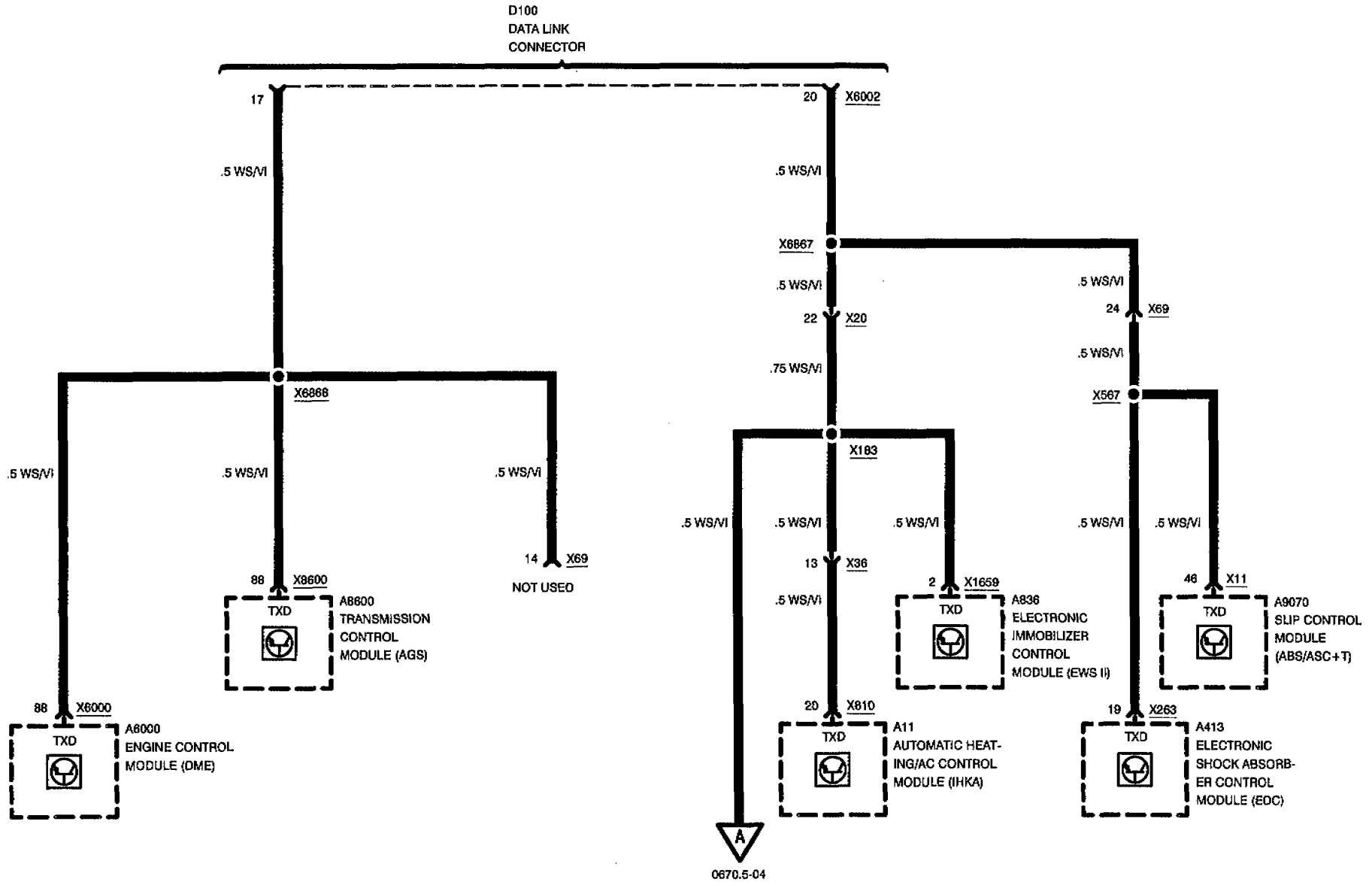
95/96



DATA LINK

840Ci (M62)

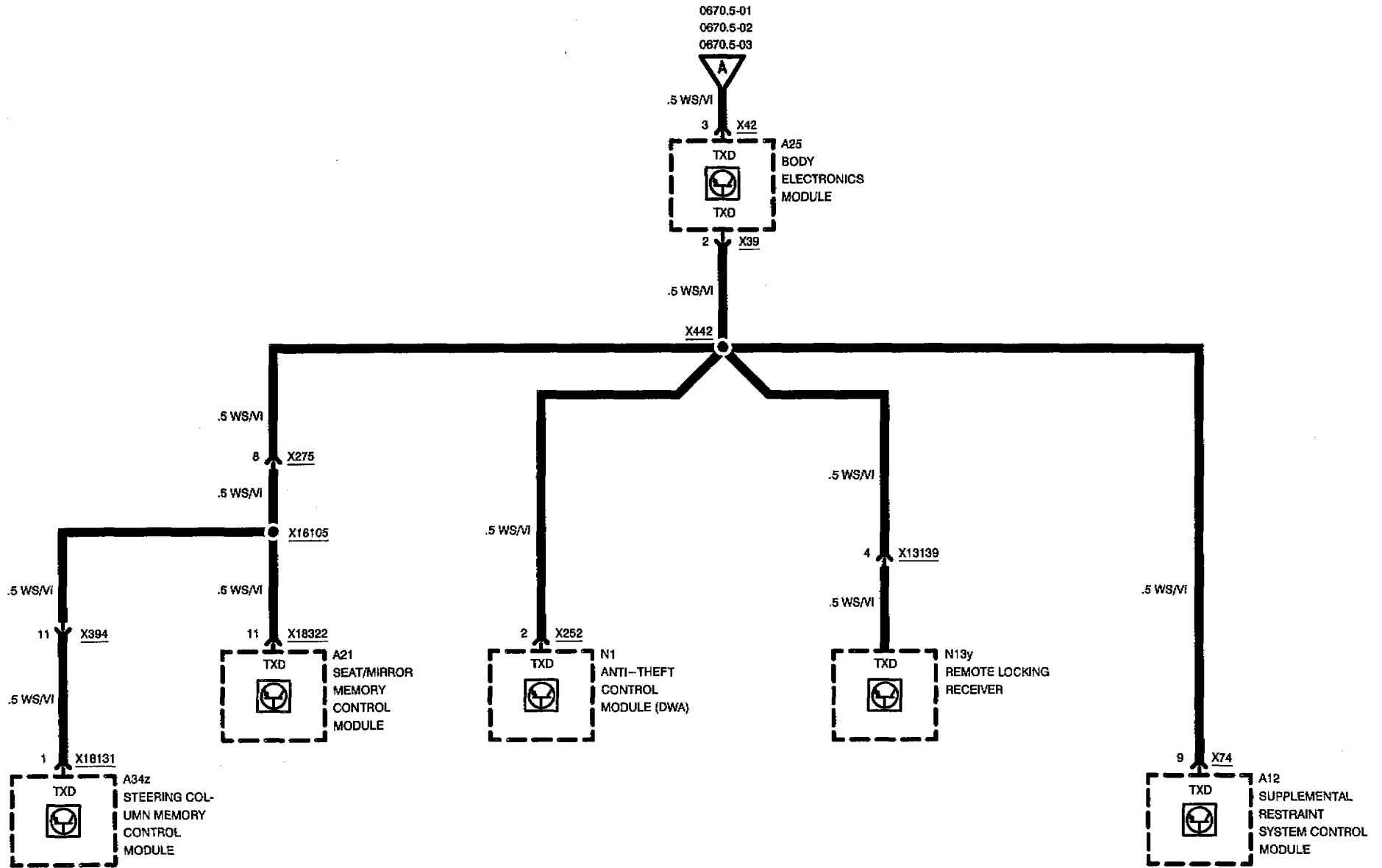
TXD, PINS 17 AND 20





DATA LINK

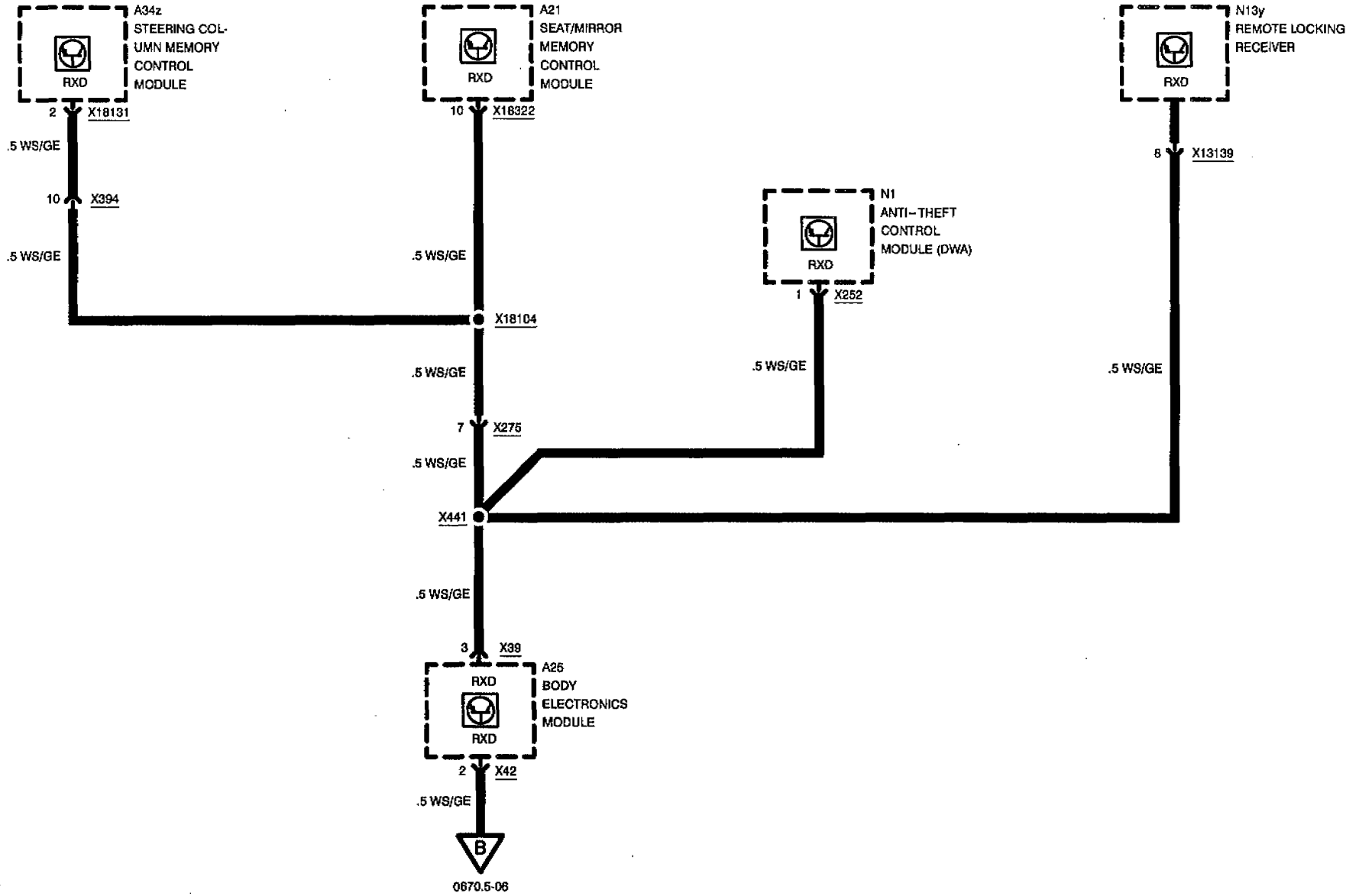
TXD



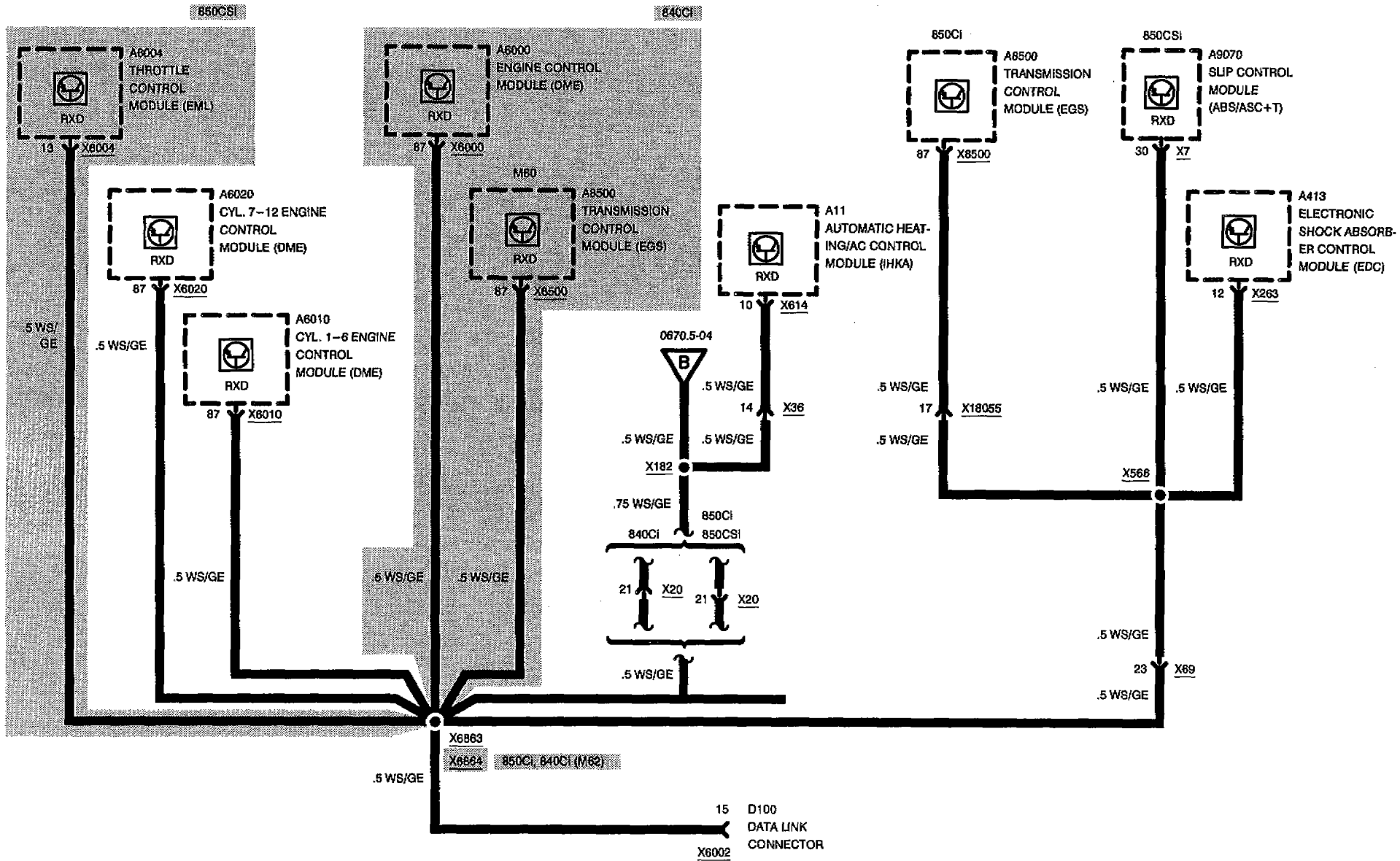


DATA LINK

RXD



BMW DATA LINK
8 RXD, PIN 15

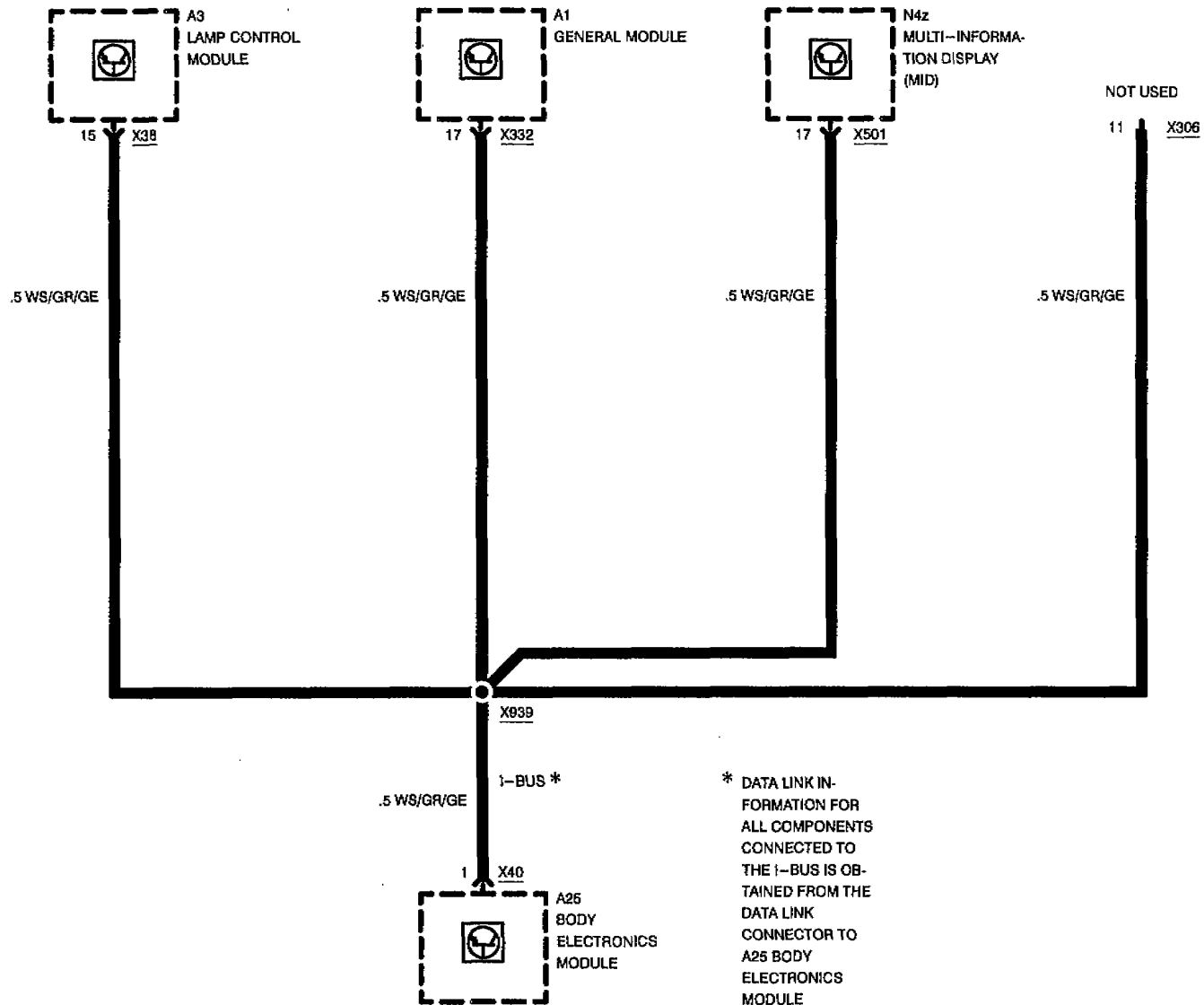


02/97 0670.5-06 95/96



DATA LINK

INSTRUMENTATION BUS (I-BUS)



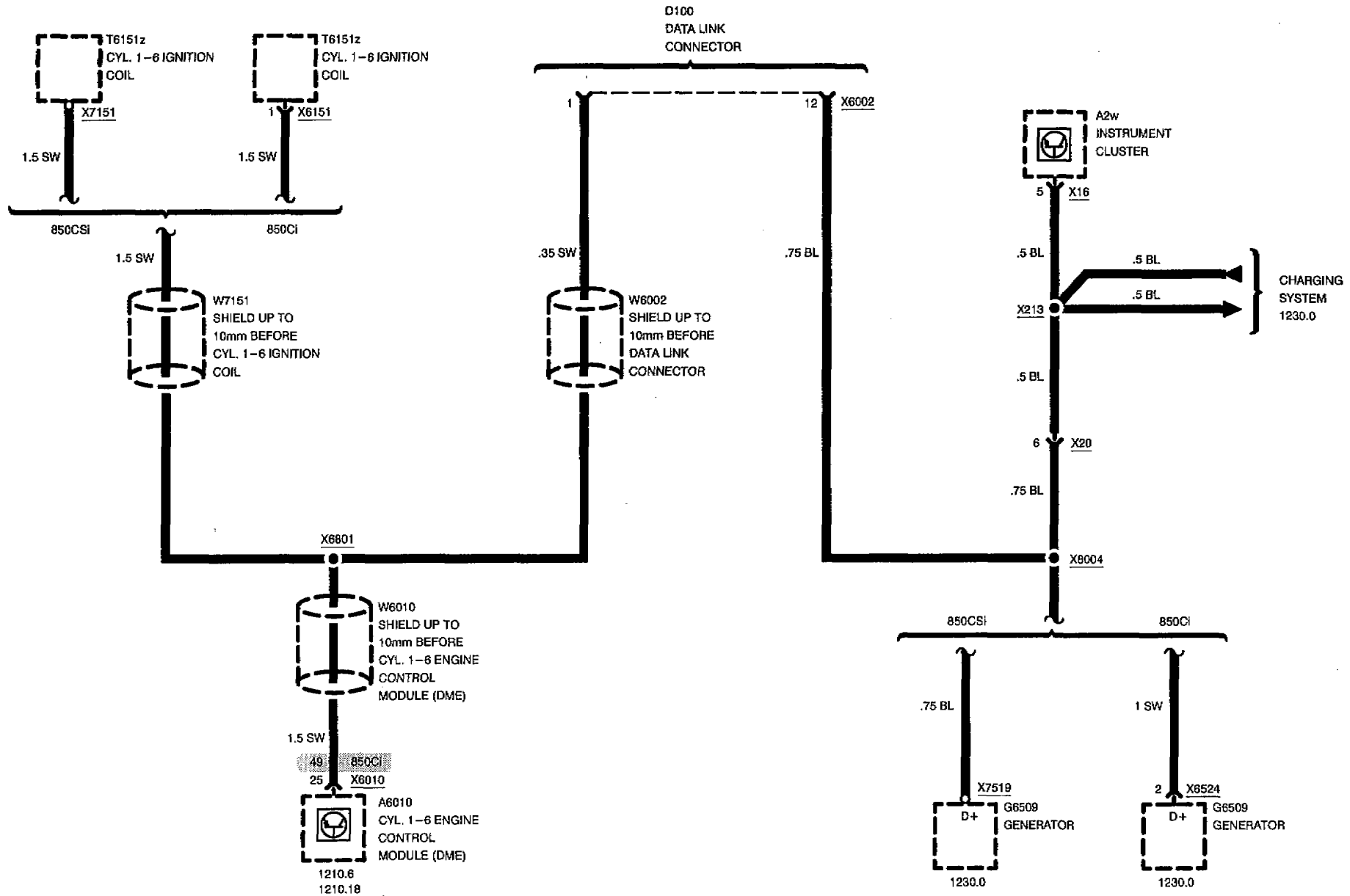
* DATA LINK INFORMATION FOR ALL COMPONENTS CONNECTED TO THE I-BUS IS OBTAINED FROM THE DATA LINK CONNECTOR TO A25 BODY ELECTRONICS MODULE



DATA LINK

850CSi, 850Ci (EARLY PRODUCTION)

DATA LINK CONNECTOR PINS 1 AND 12

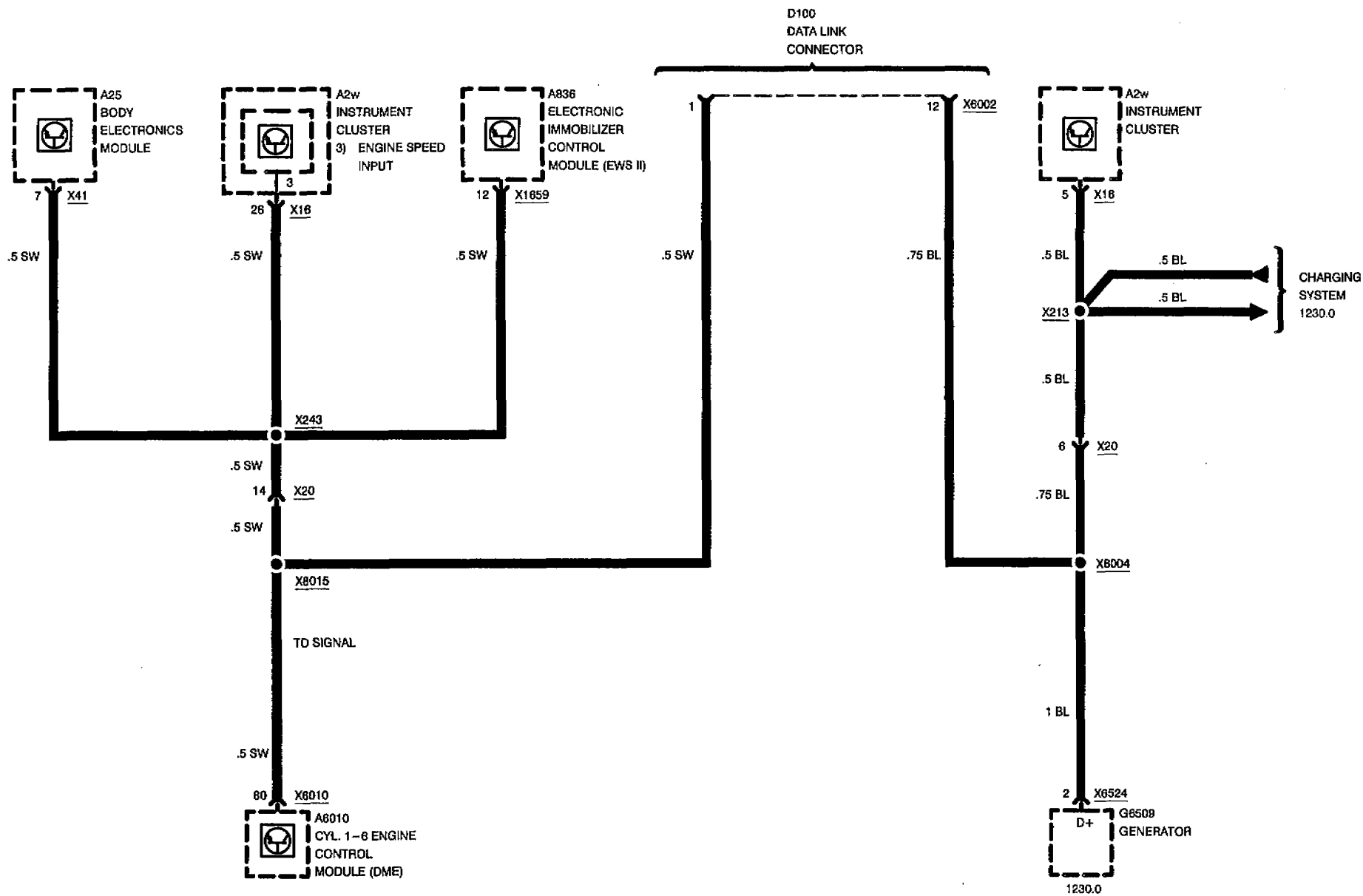




DATA LINK

850Ci (LATE PRODUCTION)

DATA LINK CONNECTOR PINS 1 AND 12

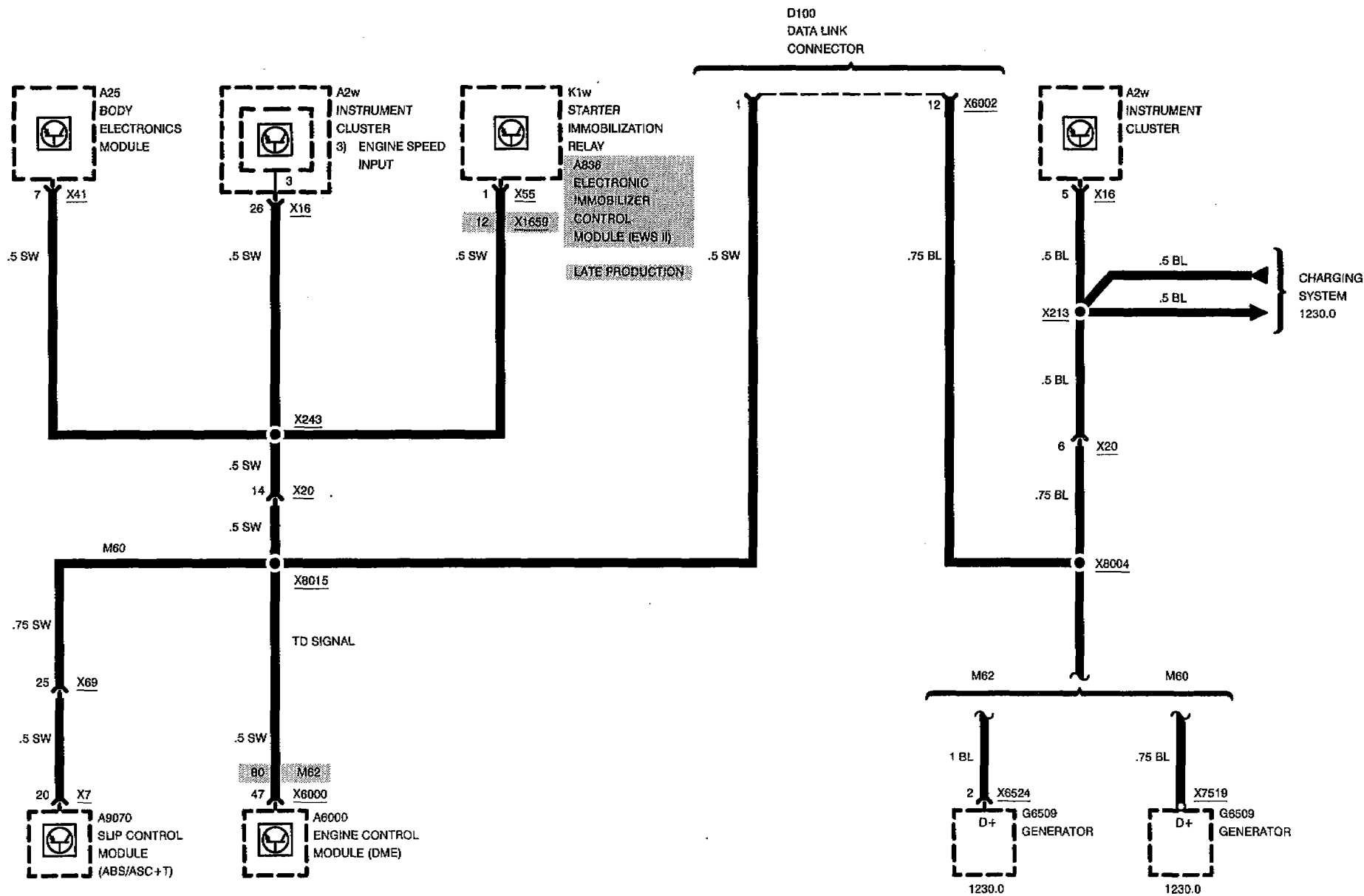




DATA LINK

DATA LINK CONNECTOR PINS 1 AND 12

840Ci

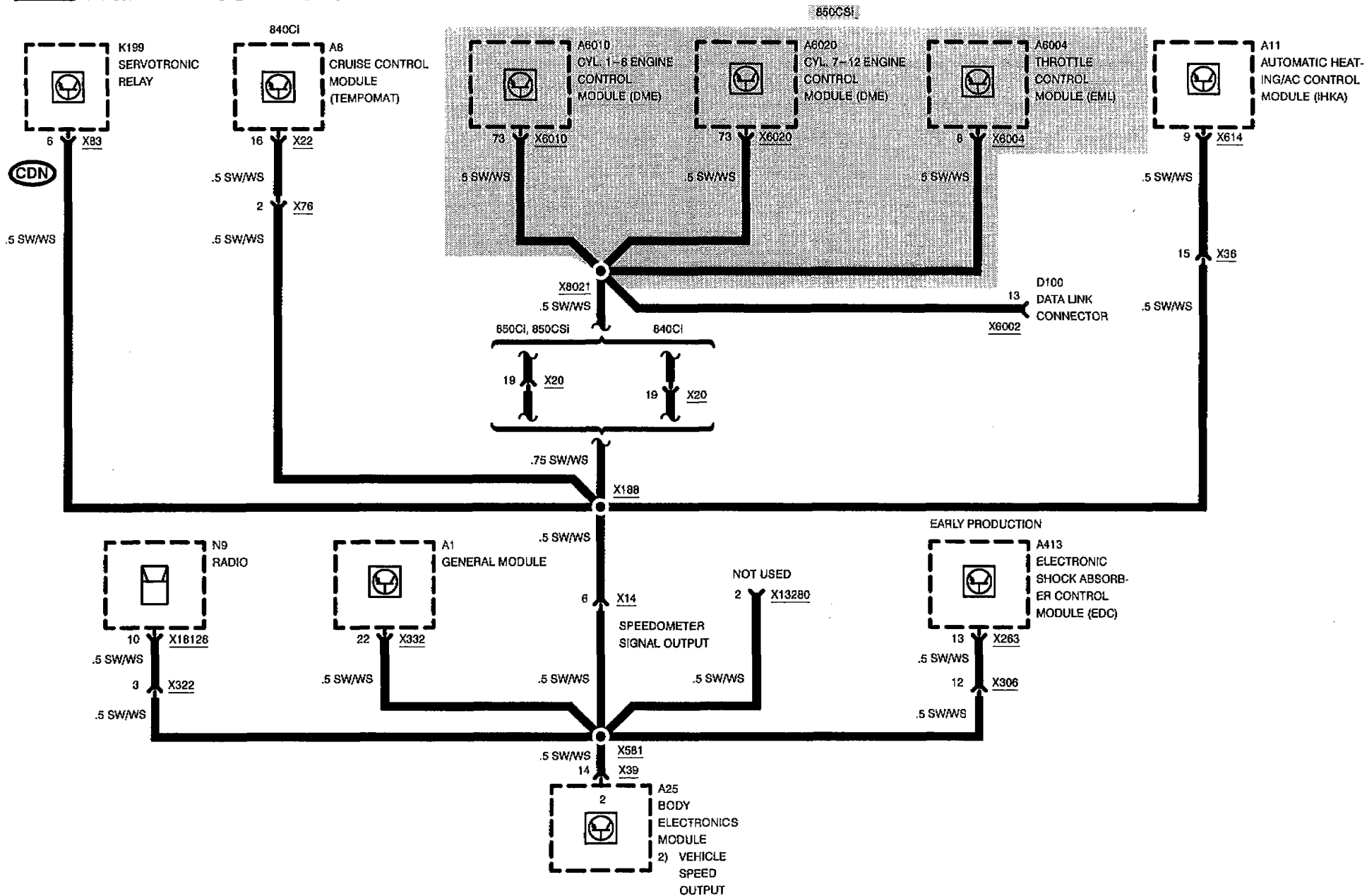




DATA LINK

840Ci (M62), 850Ci, 850CSi

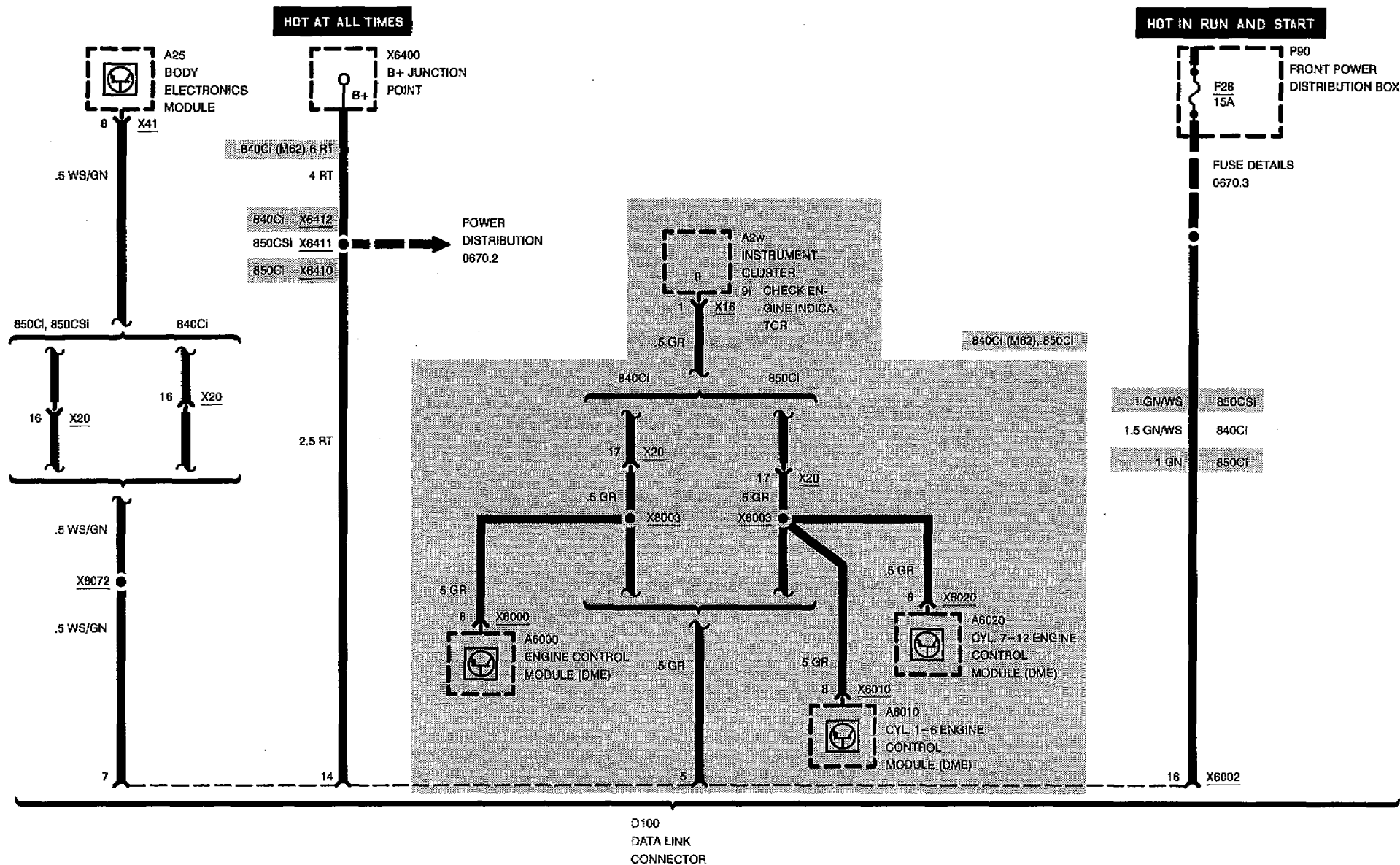
DATA LINK CONNECTOR PIN 13





DATA LINK

DATA LINK CONNECTOR PINS 5, 7, 14, AND 16

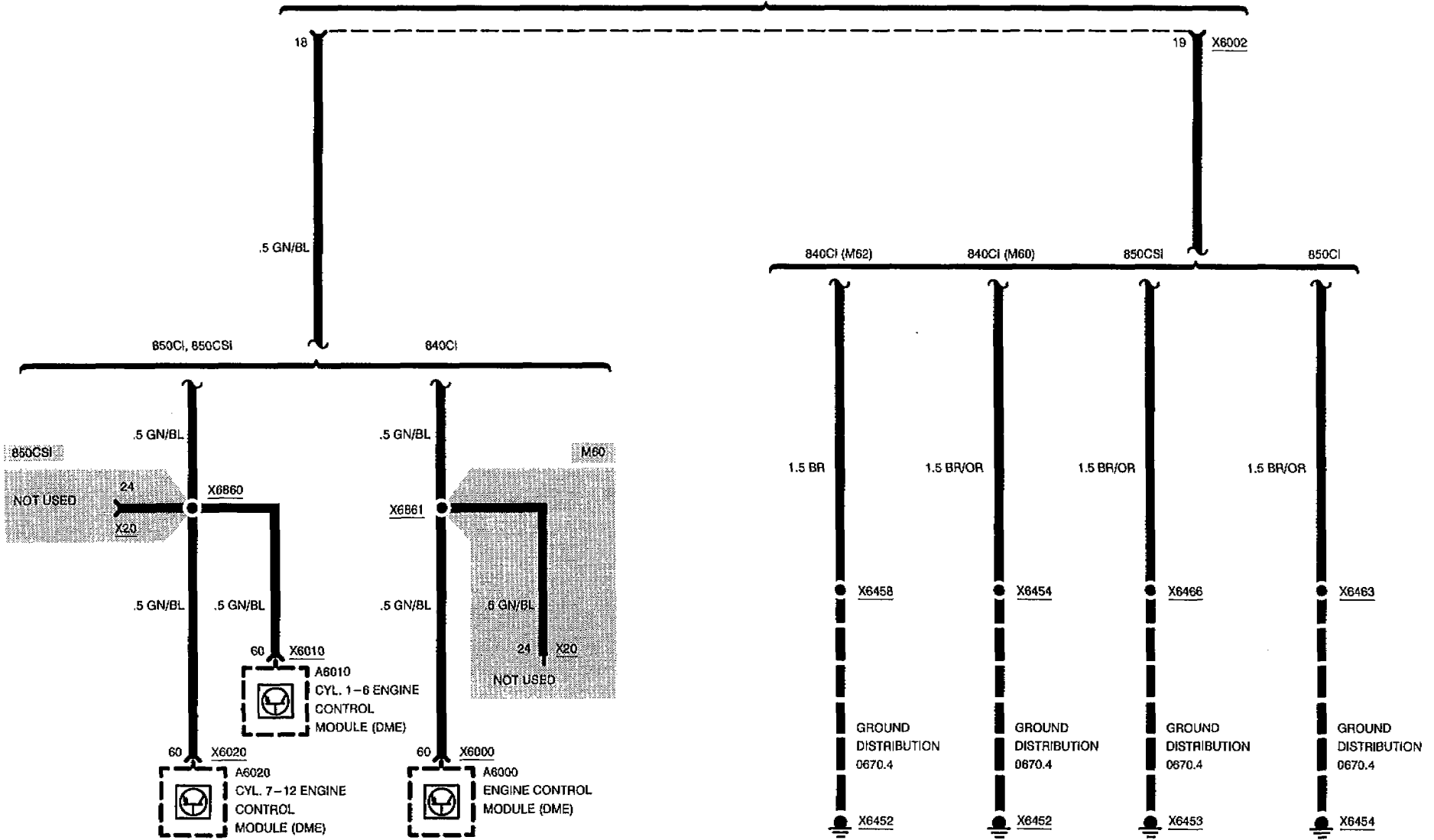




DATA LINK

DATA LINK CONNECTOR PINS 18 AND 19

D100
DATA LINK
CONNECTOR

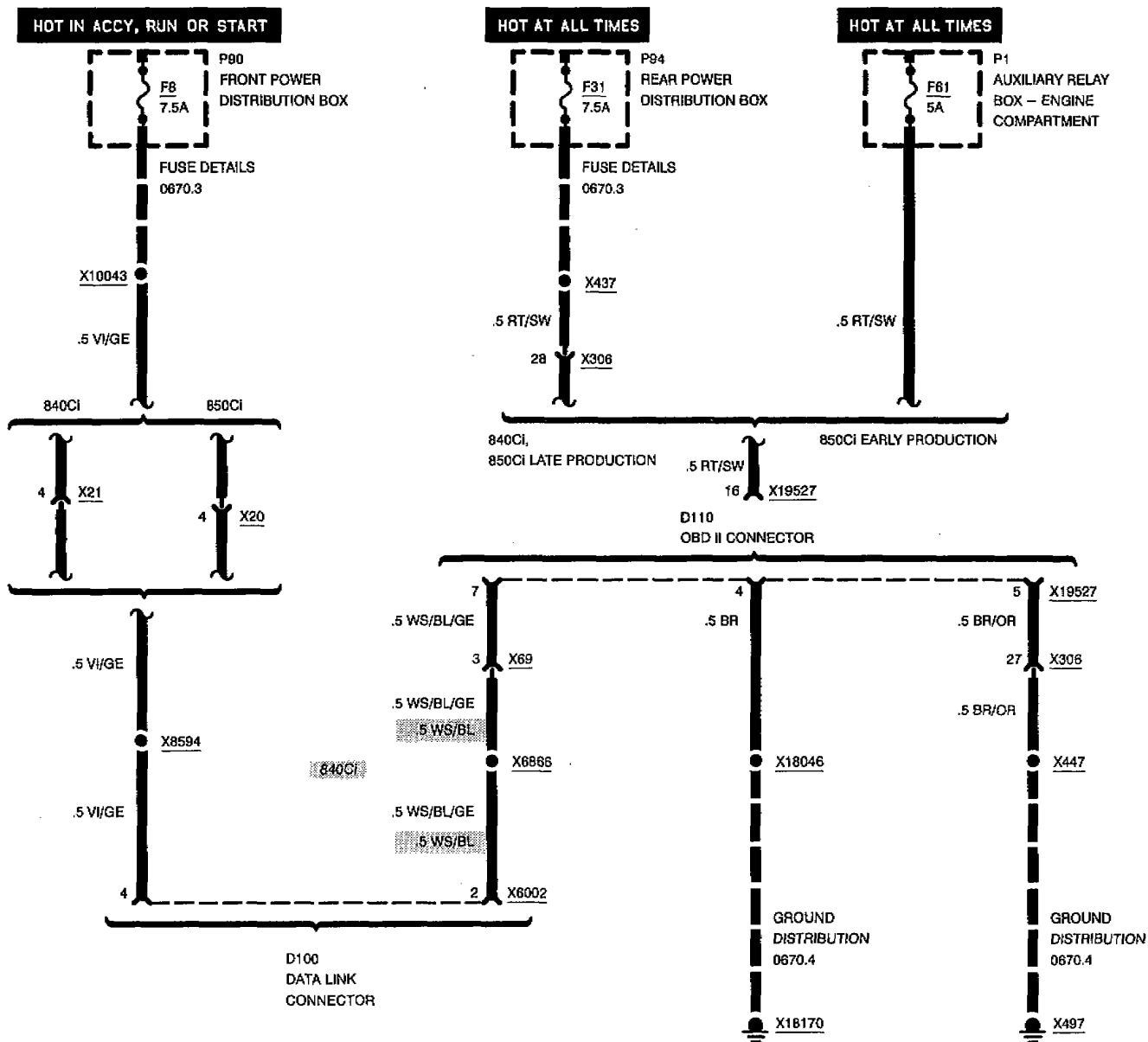




DATA LINK

DATA LINK CONNECTOR PINS 2 AND 4

840Ci (M62), 850Ci

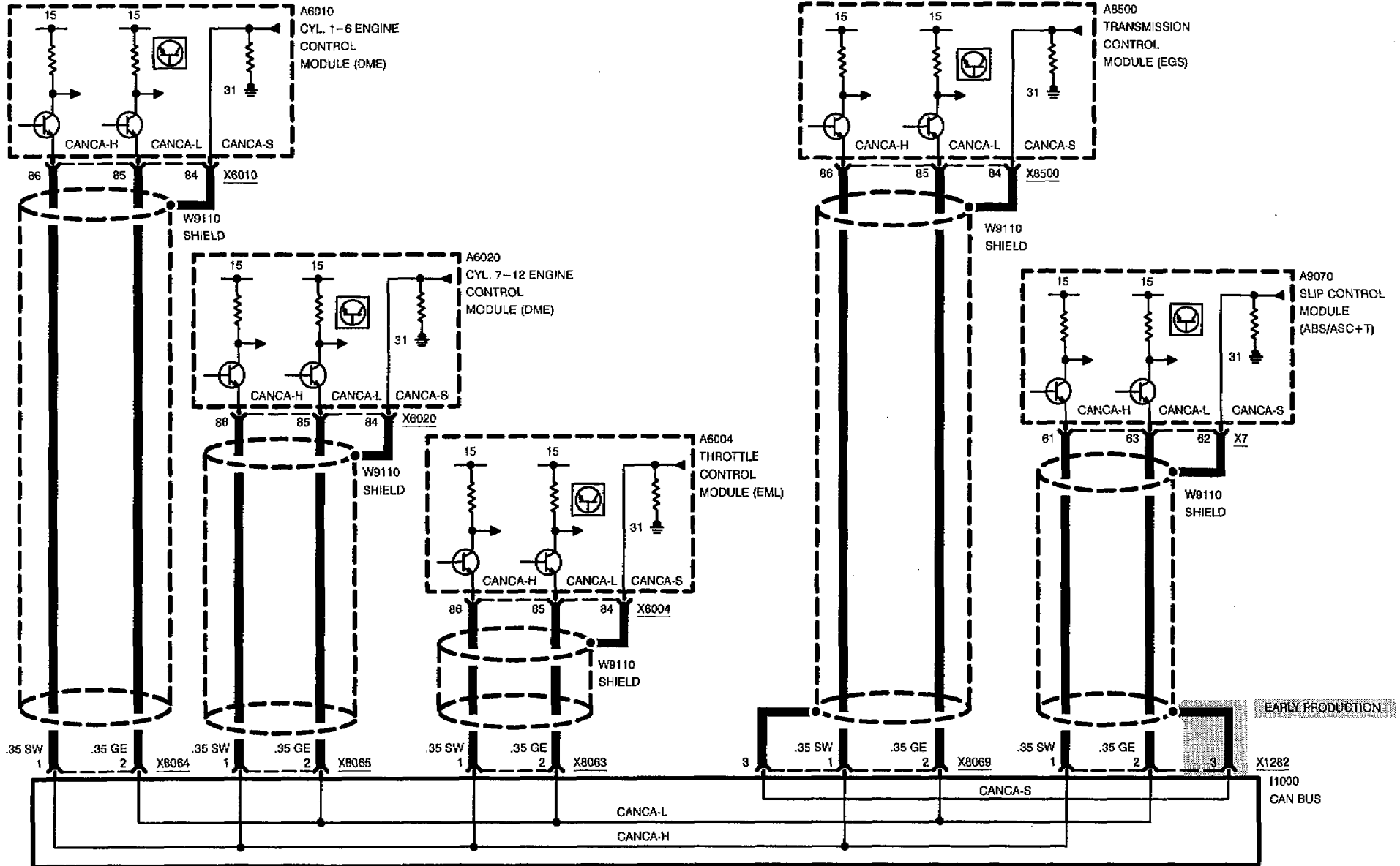




DATA LINK

CAN BUS CONNECTION

850Ci

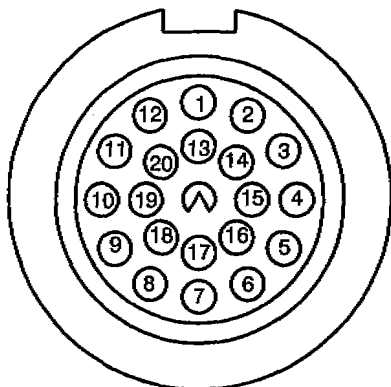




DATA LINK

850Ci, 850CSi

DATA LINK CONNECTOR (X6002)



BRIDGES IN CAP
OF D100 DATA
LINK CONNECTOR



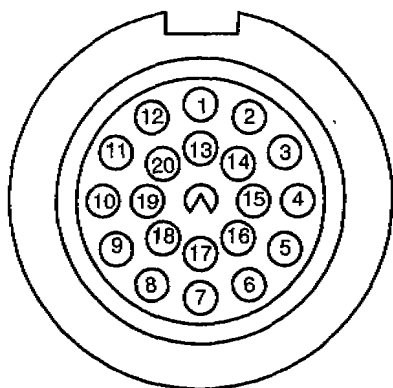
PIN NUMBER	TERMINAL NUMBER	TERMINAL DESCRIPTION	WIRE COLOR
1	1	IGNITION COIL	SW
1	TD	ENGINE SPEED (Late Production) 850Ci	SW
2	TXD2-OBD	DIAGNOSTIC DATA LINK OBD II 850Ci	WS/BL/GE
3	-	NOT OCCUPIED	
4	TERMINAL R	VOLTAGE: HOT IN ACCY, RUN OR START 850Ci	VI/GE
5	CARBOBD1	MALFUNCTION INDICATOR LAMP (CHECK ENGINE) 850Ci	GR
6	-	NOT OCCUPIED	
7	SI	SERVICE INDICATOR REMINDER	WS/GN
8	-	NOT OCCUPIED	
9	-	NOT OCCUPIED	
10	-	NOT OCCUPIED	
11	-	NOT OCCUPIED 850Ci	SW/GE
12	61(D+)	GENERATOR CHARGE INDICATOR	BL
13	TACH	SPEEDOMETER SIGNAL OUTPUT	SW/WS
14	30	VOLTAGE: HOT AT ALL TIMES	RT
15	RXD	DIAGNOSTIC DATA LINK	WS/GE
16	15S	VOLTAGE: IGNITION SWITCH IN RUN AND START	GN/WS
17	TXD2	DIAGNOSTIC DATA LINK 2 850Ci	WS/GR/GE
18	-	PROGRAM SELECT FOR ENGINE CONTROL MODULE (DME)	GN/BL
19	31	GROUND	BR/OR
20	TXD	DIAGNOSTIC DATA LINK 850CSi	WS/VI
20	TXD1	DIAGNOSTIC DATA LINK 1 850Ci	WS/VI



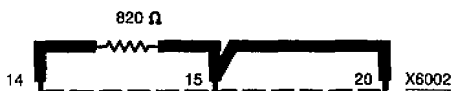
DATA LINK

840Ci

DATA LINK CONNECTOR (X6002)



BRIDGES IN CAP
OF D100 DATA
LINK CONNECTOR



PIN NUMBER	TERMINAL NUMBER	TERMINAL DESCRIPTION	WIRE COLOR
1	1	IGNITION COIL	M60 SW
1	TD	ENGINE SPEED	M62 SW
2	TXD2-OBDD	DIAGNOSTIC DATA LINK OBD II	WS/BL
3	-	NOT OCCUPIED	
4	TERMINAL R	VOLTAGE: HOT IN ACCY, RUN OR START	M62 VI/GE
5	CARBOBD1	MALFUNCTION INDICATOR LAMP (CHECK ENGINE)	M62 GR
6	-	NOT OCCUPIED	
7	SI	SERVICE INDICATOR REMINDER	WS/GN
8	-	NOT OCCUPIED	
9	-	NOT OCCUPIED	
10	-	NOT OCCUPIED	
11	-	NOT OCCUPIED	
12	61(D+)	GENERATOR CHARGE INDICATOR	BL
13	TACH	SPEEDOMETER SIGNAL OUTPUT	M62 SW/WS
14	30	VOLTAGE: HOT AT ALL TIMES	RT
15	RXD	DIAGNOSTIC DATA LINK	WS/GE
16	15S	VOLTAGE: IGNITION SWITCH IN RUN AND START	GN/WS
17	TXD2	DIAGNOSTIC DATA LINK 2	M62 WS/VI
18	PGSP	PROGRAM SELECT FOR ENGINE CONTROL MODULE (DME)	GN/BL
19	31	GROUND	BR, BR/OR (M60)
20	TXD1	DIAGNOSTIC DATA LINK 1	WS/VI

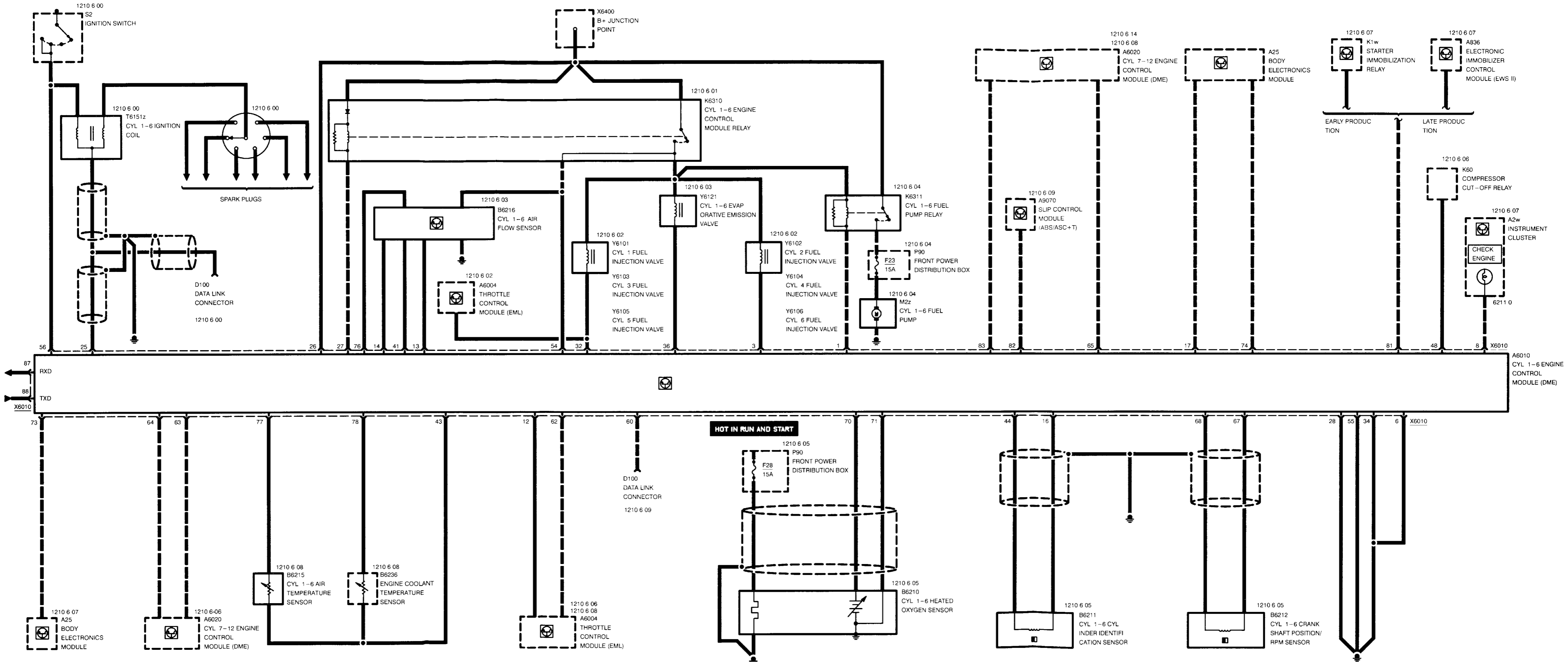


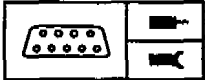
0670.5-18

HOT AT ALL TIMES

HOT AT ALL TIMES

HOT IN RUN AND START



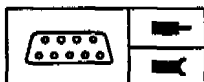


Pin Assignments

X6010

Pin	Type	Description/Function	Connection
1	A	Fuel pump relay and crankshaft reference signal (TR)	Fuel pump relay
2		Not used	
3	A	Fuel injector valves cyl. 2 - 4 - 6	Fuel injector valves
4		Not used	
5		Not used	
6	M	Ground, fuel injector valve output stages	Ground point
7		Not used	
8	A	Check engine	Instrument cluster
9		Not used	
10		Not used	
11		Not used	
12	E	Wide open throttle signal (VL)	Electronic throttle control module (EML)
13	A	Free combustion	Mass air flow sensor
14	M	Ground, mass air flow sensor	Mass air flow sensor
15		Not used	
16	E	Cylinder identification sensor (ignition)	Cylinder identification sensor (connection B)
17	A	Injection measuring signal (ti) (KVA signal)	Body electronics module (EKM)
18		Not used	
19		Not used	
20		Not used	
21		Not used	
22		Not used	
23		Not used	
24		Not used	
25	A	Ignition, terminal 1	Cyl. 1 - 6 ignition coil
26	E	Battery voltage	B+ junction point
27	A	Engine control module relay	Engine control module relay, terminal 85
28	M	Ground for electronics and shielding the sensors	Ground point
29		Not used	

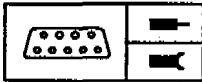
E = Input, A = Output, M = Ground



Pin Assignments

Pin	Type	Description/Function	Connection
30		Not used	
31		Not used	
32	A	Fuel injector valves cyl. 1 - 3 - 5	Fuel injector valves and electronic throttle control module (EML)
33		Not used	
34	M	Ground, remaining output stages (except for ignition and fuel injector valves)	Ground point
35		Not used	
36	A	Evaporative emission valve	Evaporative emission valve
37		Not used	
38		Not used	
39		Not used	
40		Not used	
41	E	Mass air flow sensor signal	Mass air flow sensor
42		Not used	
43	M	Ground for sensors	Temperature sensors
44	E	Cylinder identification sensor (ignition)	Cylinder identification sensor (connection A)
45		Not used	
46		Not used	
47		Not used	
48	A	Compressor cut-off signal	Compressor cut-off relay
49		Not used	
50		Not used	
51		Not used	
52		Not used	
53		Not used	
54	E	Battery voltage	Engine control module relay
55	M	Ground, ignition	Ground point
56	E	Ignition, terminal 15	Ignition switch
57		Not used	
58		Not used	
59		Not used	
60	E	Programming voltage	Data link connector

E = Input, A = Output, M = Ground



Pin Assignments

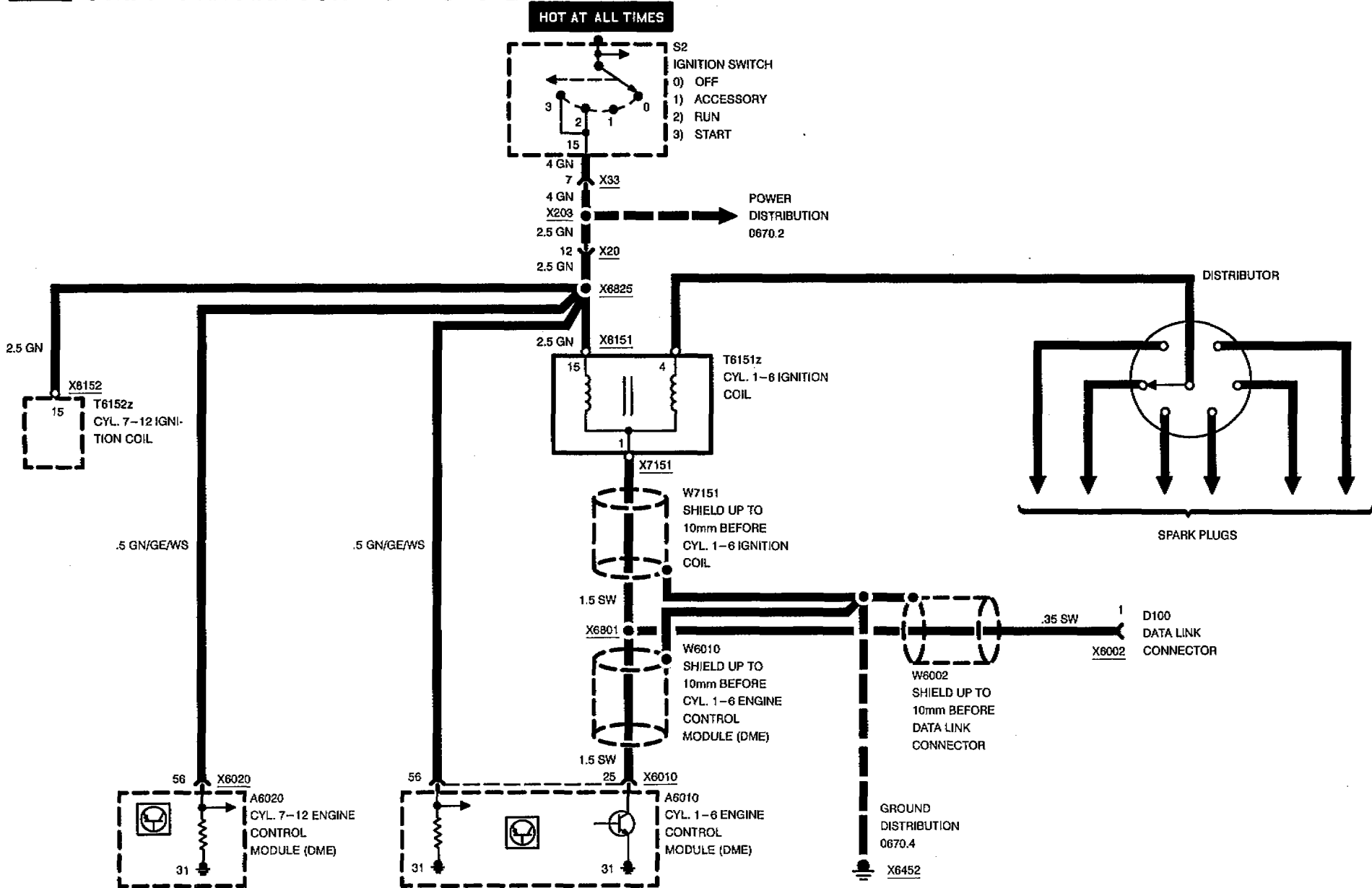
Pin	Type	Description/Function	Connection
61		Not used	
62	E	Idle signal (LL)	Electronic throttle control module (EML)
63	E	Torque converter clutch (WK)	Not used
64	E	Ignition timing intervention	Not used
65	E	Park/Neutral sensing	Not used
66		Not used	
67	E	Inductive pulse generator (connection B)	Pulse generator, crankshaft rpm sensor
68	E	Inductive pulse generator (connection A)	Pulse generator, crankshaft rpm sensor
69		Not used	
70	E	Oxygen sensor signal	Heated oxygen sensor
71	M	Ground, oxygen sensor	Heated oxygen sensor
72		Not used	
73	E	Speedometer signal	Body electronics module (EKM)
74	A	Engine speed signal (TD)	Body electronics module (EKM)
75		Not used	
76	E	Idle CO-potentiometer	Mass air flow sensor
77	E	Intake air temperature	Engine intake air temperature sensor
78	E	Engine coolant temperature	Engine coolant temperature sensor
79		Not used	
80		Not used	
81	E	Antitheft signal	Starter immobilization relay (early production) Electronic immobilizer control module (EWS II)
82	E/A	Data link	Cyl. 7-12 engine control module (DME)
83		Not used	
84		Not used	
85		Not used	
86		Not used	
87	E	RxD diagnostic data line	Data link connector
88	E/A	TxD diagnostic data line	Data link connector

E = Input, A = Output, M = Ground



ENGINE CONTROL SYSTEM (DME M1.7, 12-CYLINDER M70)

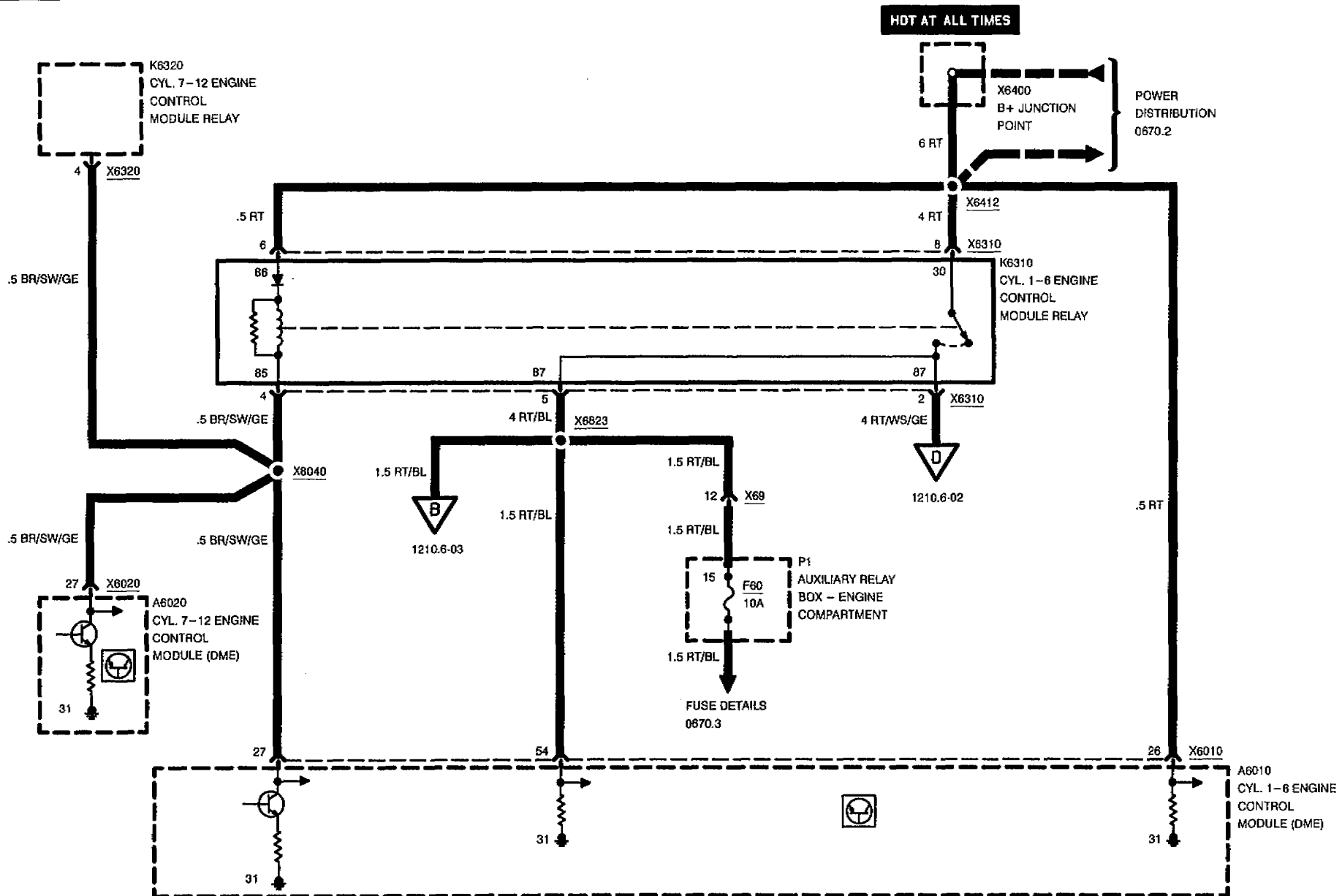
CYL. 1-6 ENGINE CONTROL MODULE





ENGINE CONTROL SYSTEM (DME M1.7, 12-CYLINDER M70)

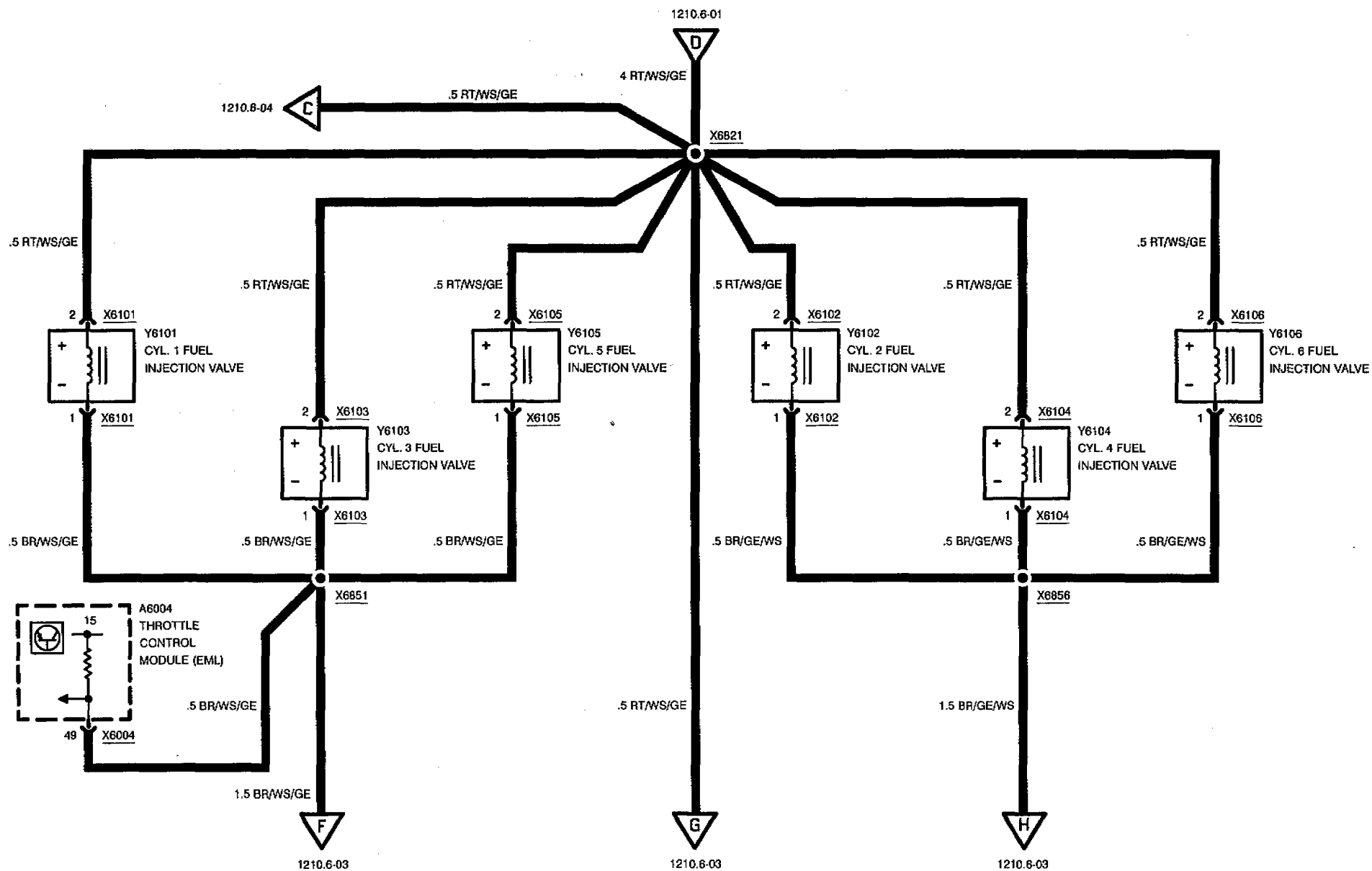
CYL. 1-6 ENGINE CONTROL MODULE





ENGINE CONTROL SYSTEM (DME M1.7, 12-CYLINDER M70)

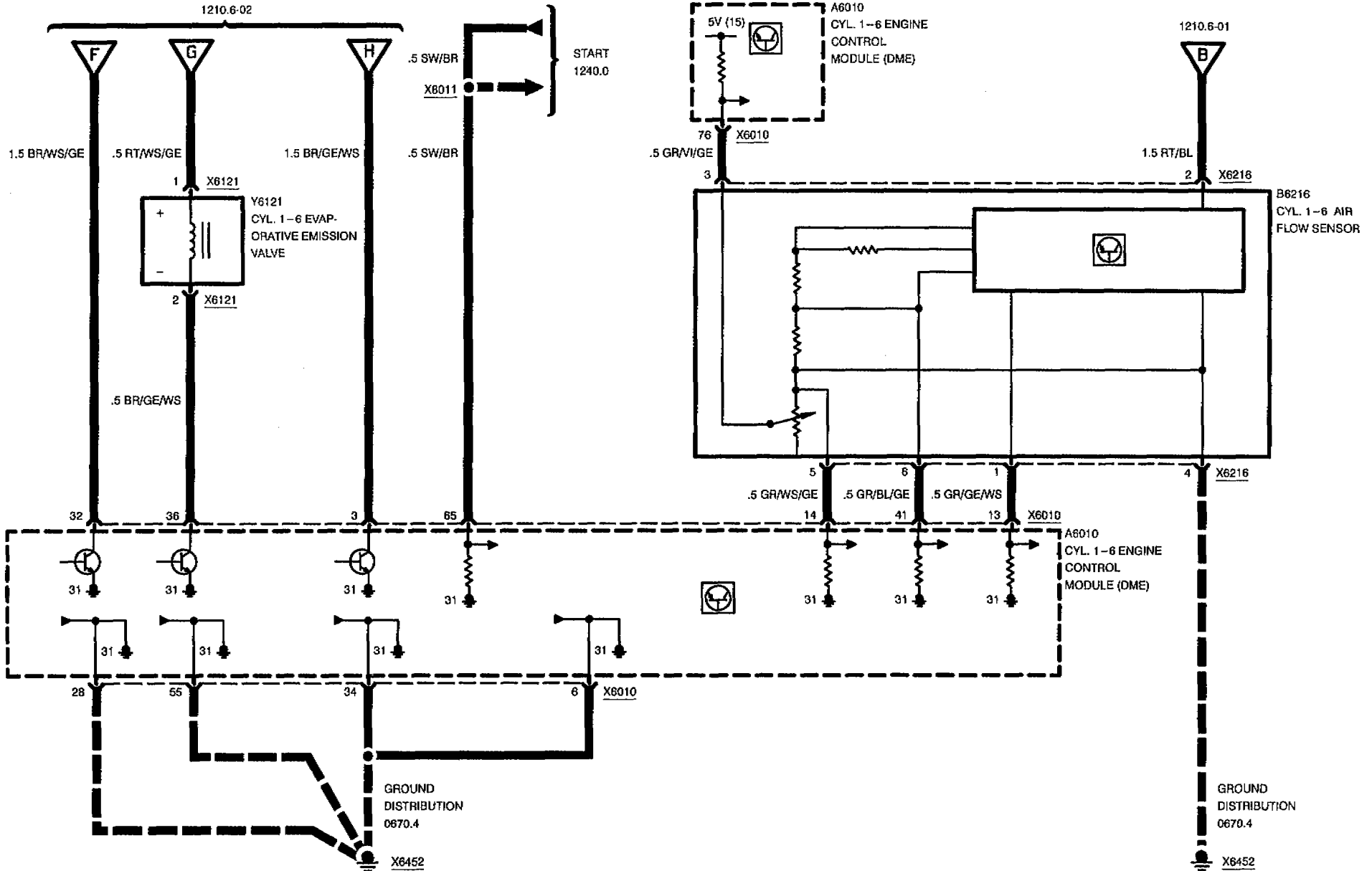
FUEL INJECTION VALVES





ENGINE CONTROL SYSTEM (DME M1.7, 12-CYLINDER M70)

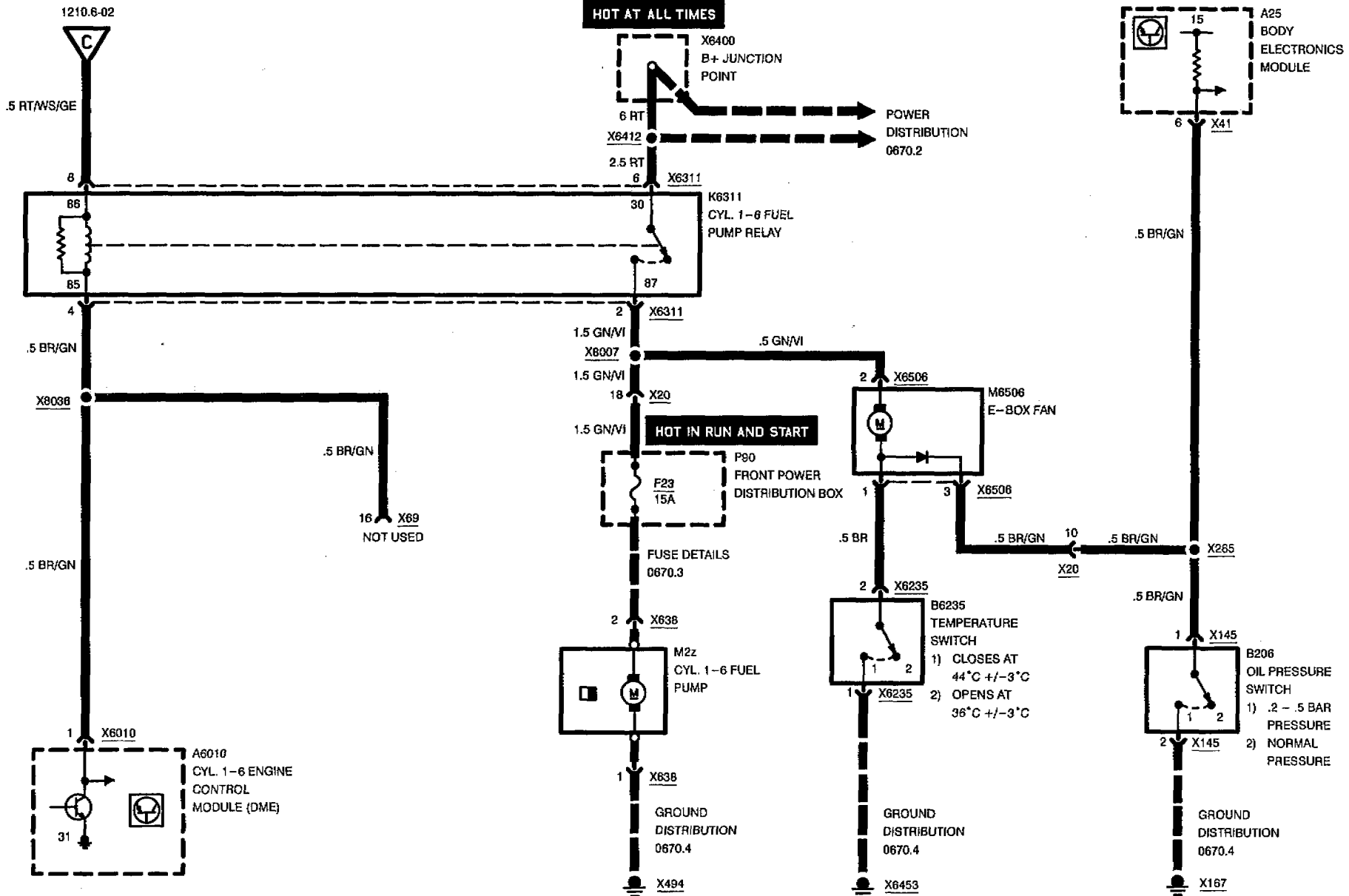
CYL. 1-6 ENGINE CONTROL MODULE





ENGINE CONTROL SYSTEM (DME M1.7, 12-CYLINDER M70)

CYL. 1-6 ENGINE CONTROL MODULE

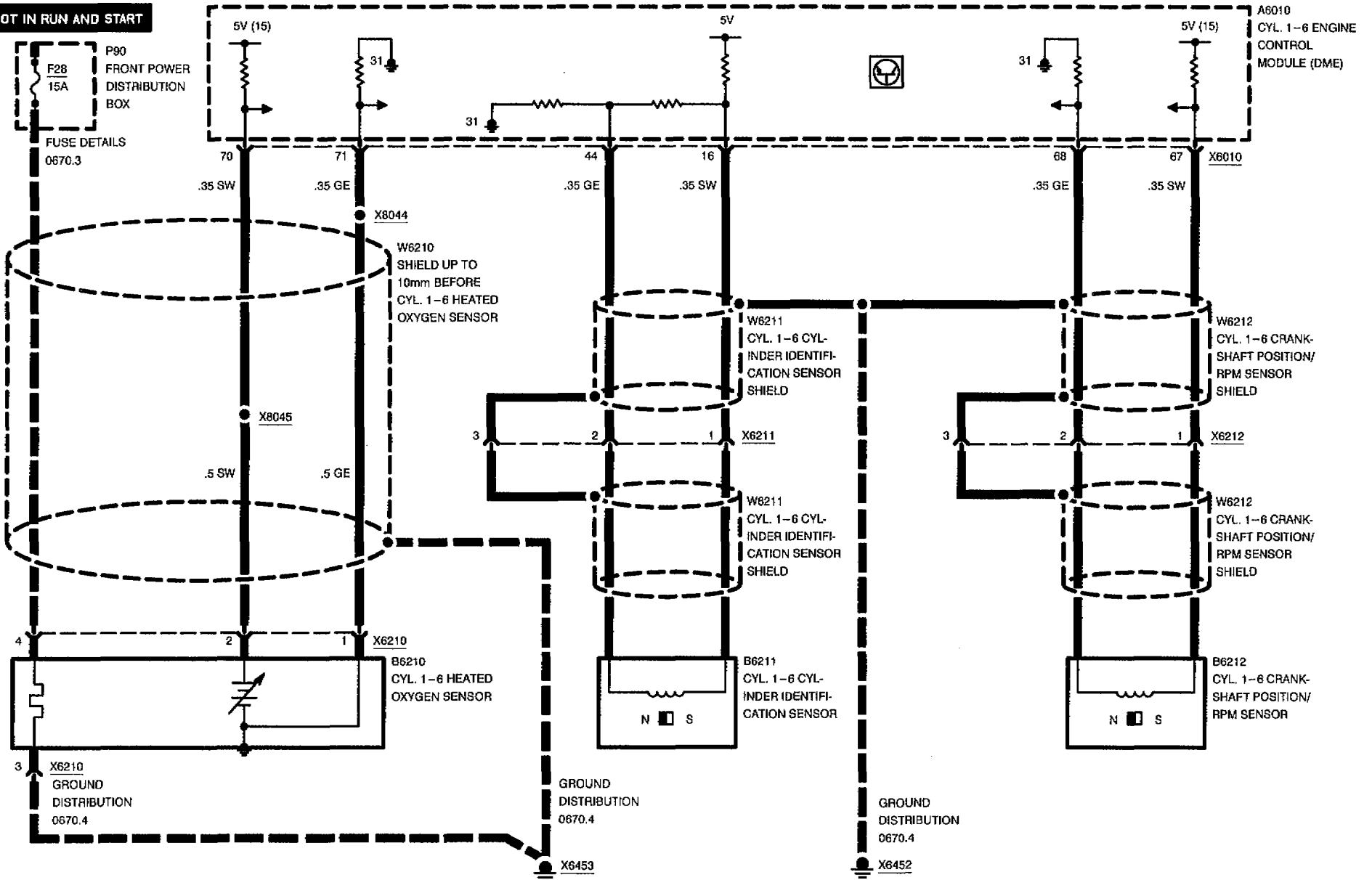




ENGINE CONTROL SYSTEM (DME M1.7, 12-CYLINDER M70)

CYL. 1-6 ENGINE CONTROL MODULE

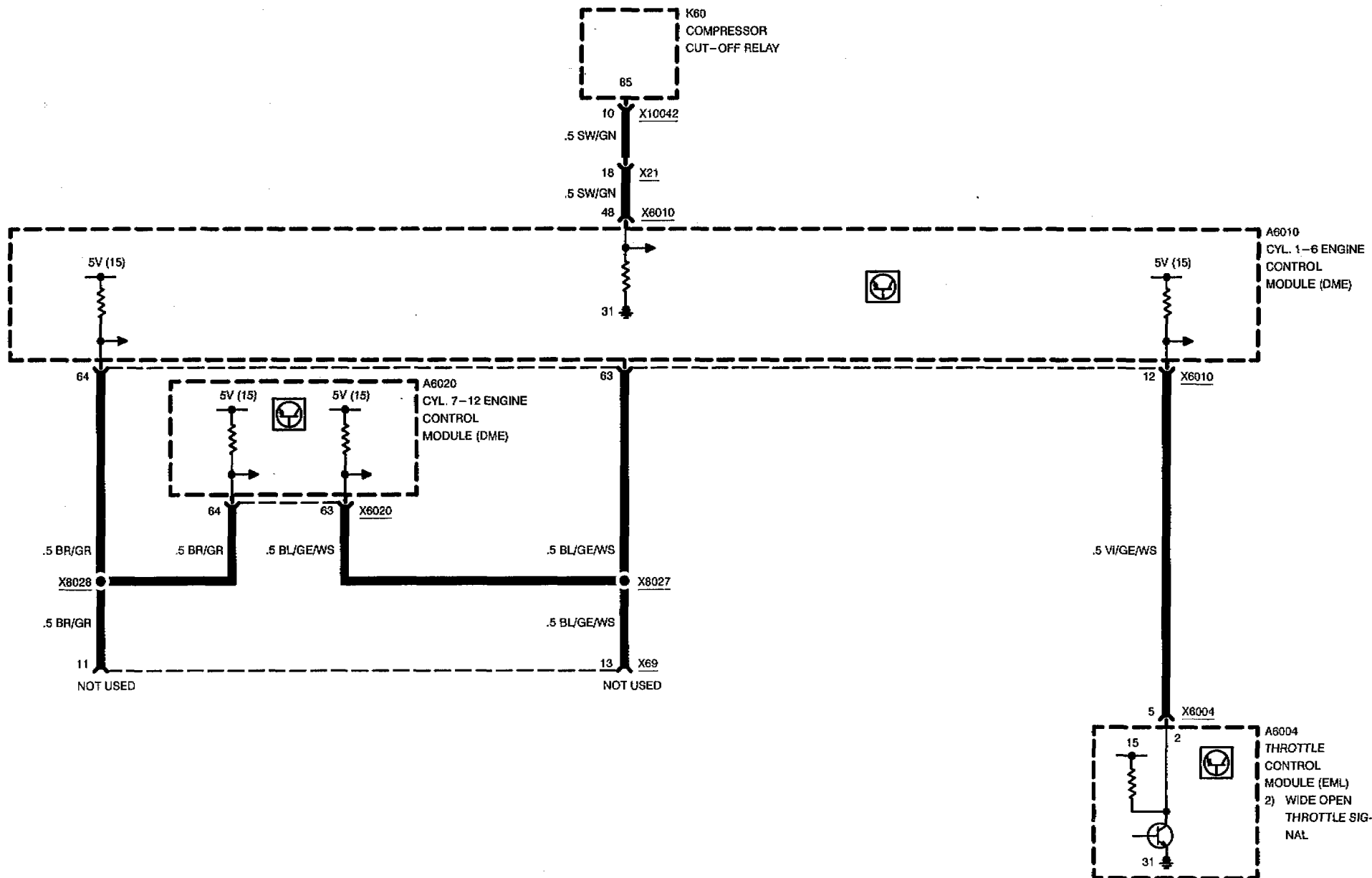
HOT IN RUN AND START





ENGINE CONTROL SYSTEM (DME M1.7, 12-CYLINDER M70)

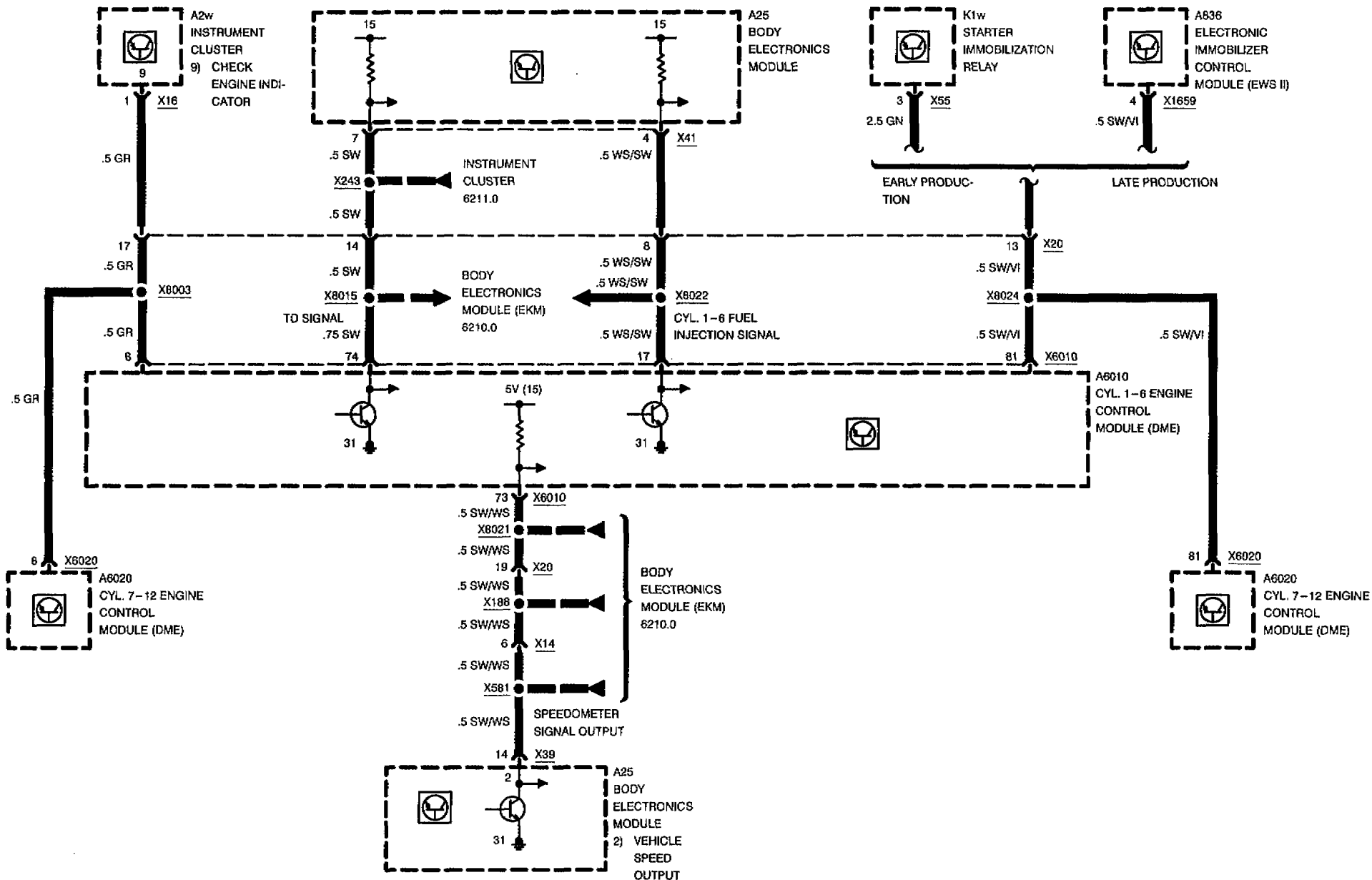
CYL. 1-6 ENGINE CONTROL MODULE





ENGINE CONTROL SYSTEM (DME M1.7, 12-CYLINDER M70)

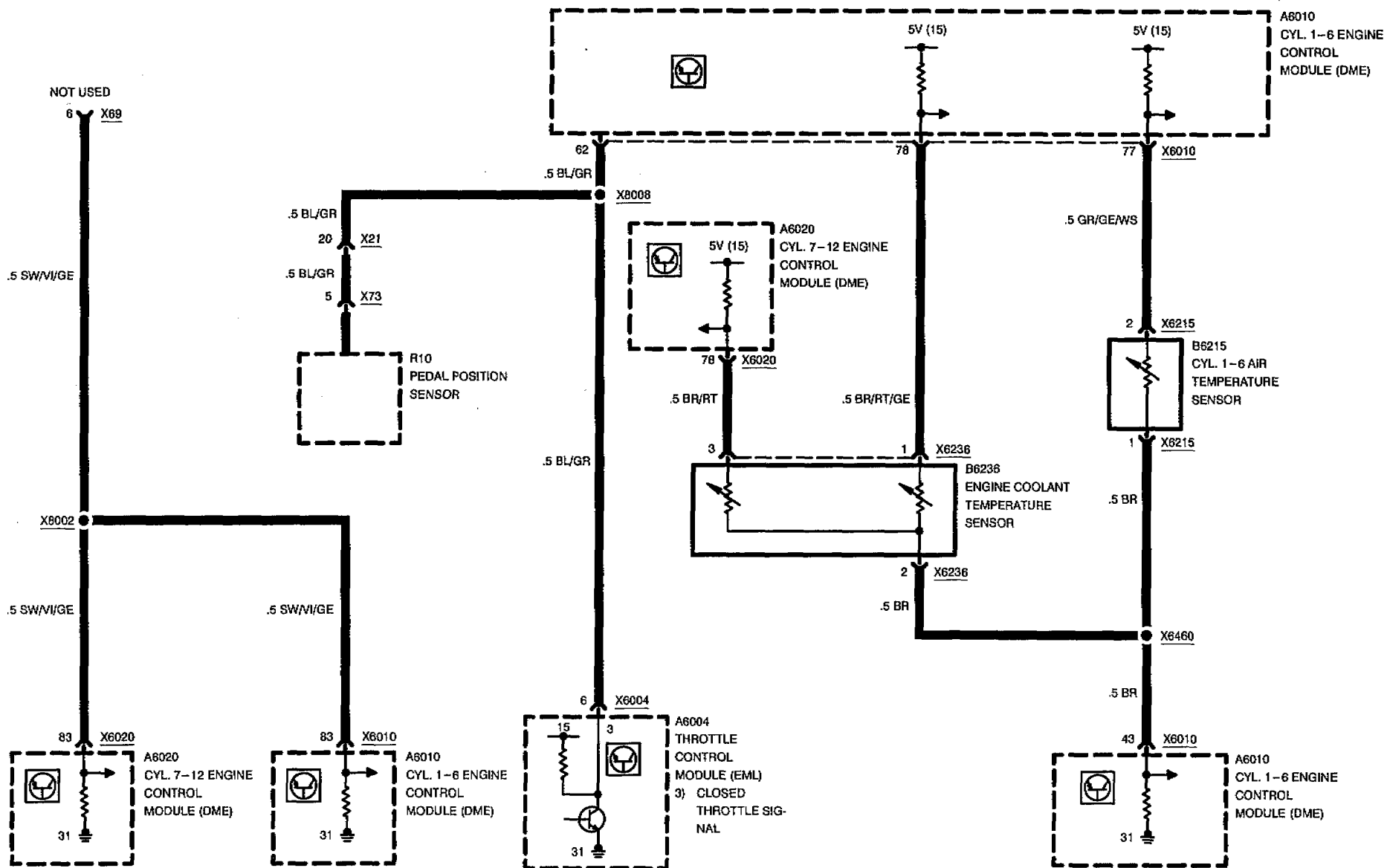
CYL. 1-6 ENGINE CONTROL MODULE





ENGINE CONTROL SYSTEM (DME M1.7, 12-CYLINDER M70)

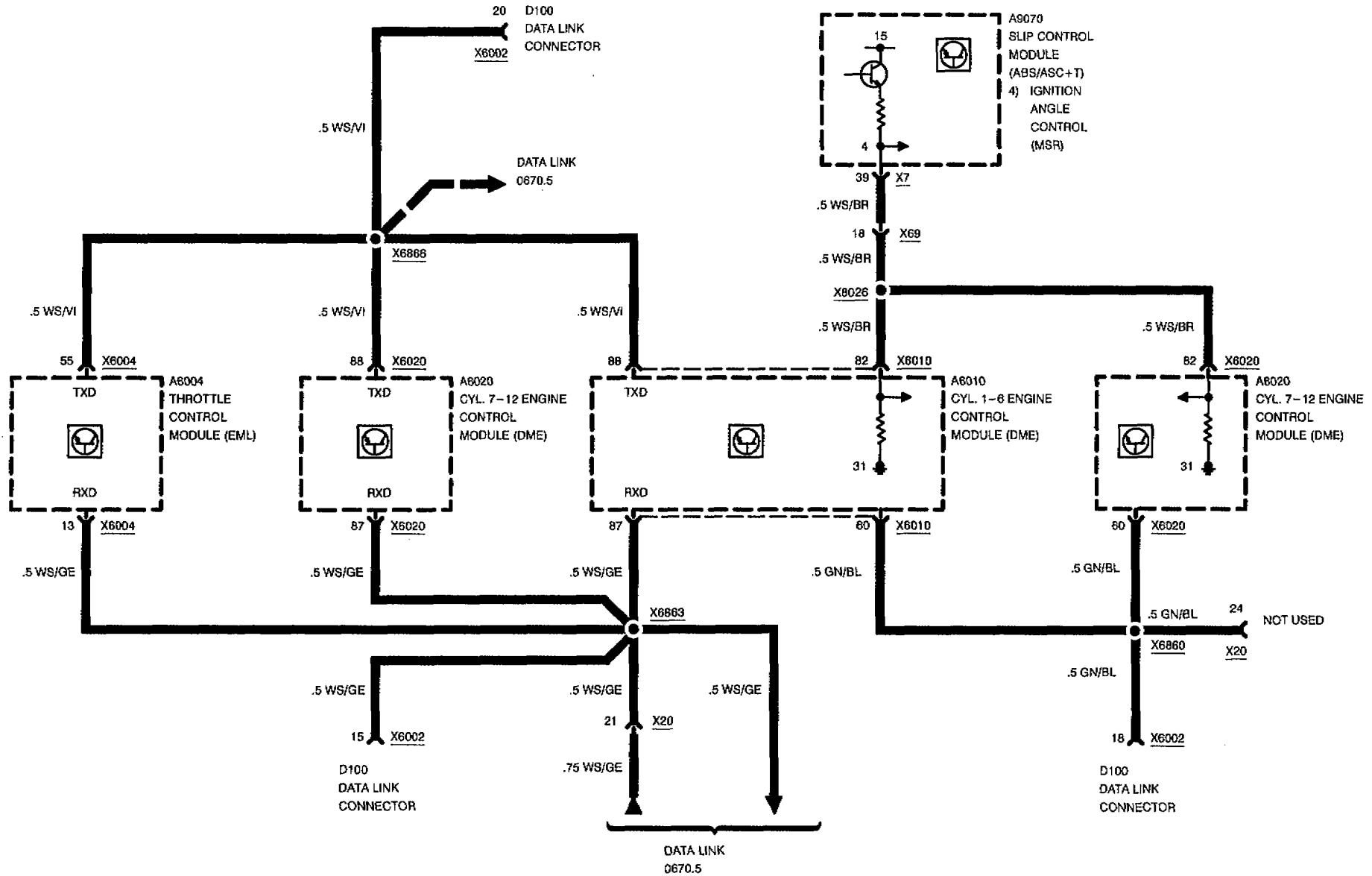
CYL. 1-6 ENGINE CONTROL MODULE

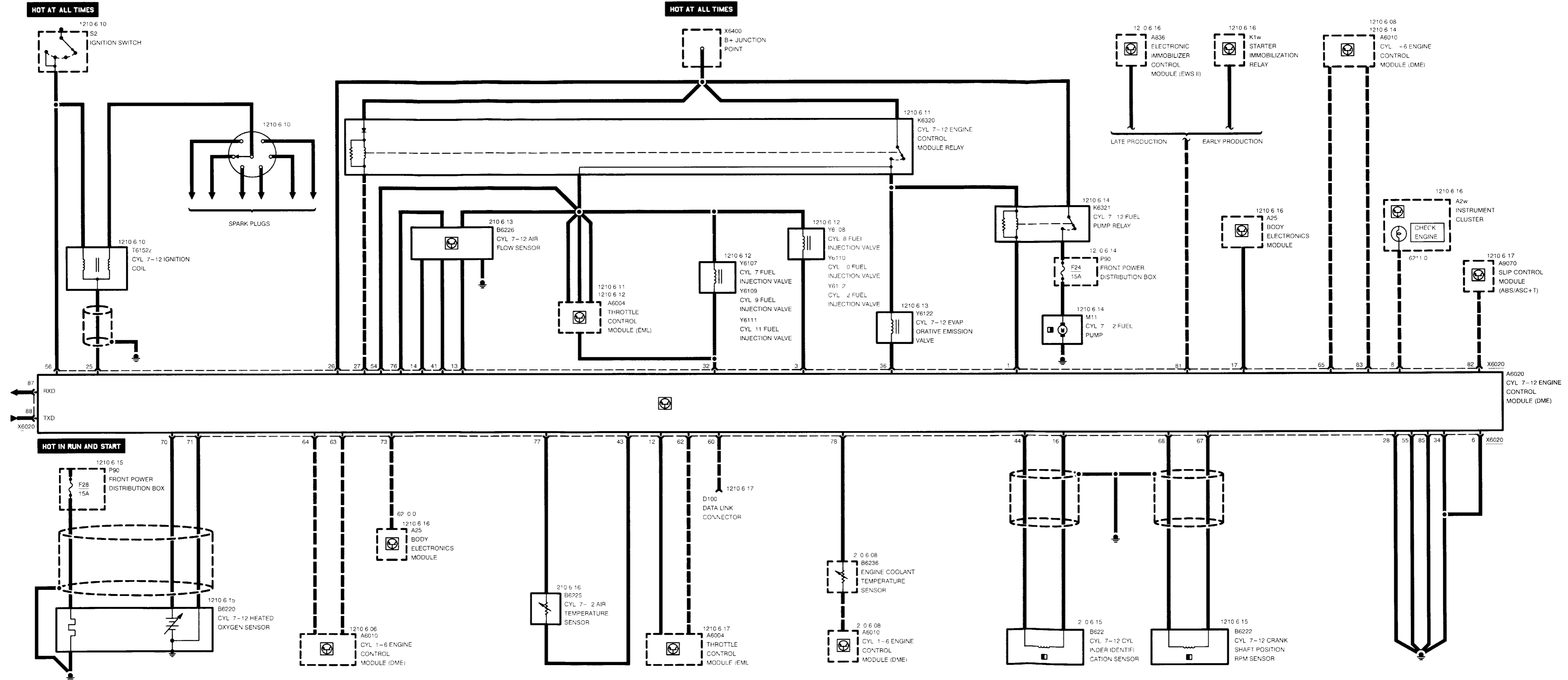


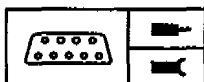


ENGINE CONTROL SYSTEM (DME M1.7, 12-CYLINDER M70)

CYL. 1-6 ENGINE CONTROL MODULE





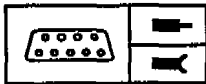


Pin Assignments

X6020

Pin	Type	Description/Function	Connection
1	A	Fuel pump relay and crankshaft reference signal (TR)	Fuel pump relay
2		Not used	
3	A	Fuel injector valves cyl. 8 - 10 - 12	Fuel injector valves
4		Not used	
5		Not used	
6	M	Ground, fuel injector valve output stages	Ground point
7		Not used	
8	A	Check engine	Instrument cluster
9		Not used	
10		Not used	
11		Not used	
12	E	Wide open throttle signal (VL)	Electronic throttle control module (EML)
13	A	Free combustion	Mass air flow sensor
14	M	Ground, mass air flow sensor	Mass air flow sensor
15		Not used	
16	E	Cylinder identification sensor (ignition)	Cylinder identification sensor (connection B)
17	A	Injection measuring signal (ti) (KVA signal)	Body electronics module (EKM)
18		Not used	
19		Not used	
20		Not used	
21		Not used	
22		Not used	
23		Not used	
24		Not used	
25	A	Ignition, terminal 1	Cyl. 7 - 12 ignition coil
26	E	Battery voltage	B+ junction point
27	A	Engine control module relay	Engine control module relay terminal 85
28	M	Ground for electronics and shielding the sensors	Ground point
29		Not used	

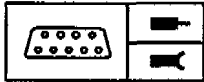
E = Input, A = Output, M = Ground



Pin Assignments

Pin	Type	Description/Function	Connection
30		Not used	
31		Not used	
32	A	Fuel injector valves cyl. 7 - 9 - 11	Fuel injector valves and electronic throttle control module (EML)
33		Not used	
34	M	Ground, remaining output stages (except for ignition and fuel injector valves)	Ground point
35		Not used	
36	A	Evaporative emission valve	Evaporative emission valve
37		Not used	
38		Not used	
39		Not used	
40		Not used	
41	E	Mass air flow sensor signal	Mass air flow sensor
42		Not used	
43	M	Ground for sensors	Temperature sensors
44	E	Cylinder identification sensor (ignition)	Cylinder identification sensor (connection A)
45		Not used	
46		Not used	
47		Not used	
48		Not used	
49		Not used	
50		Not used	
51		Not used	
52		Not used	
53		Not used	
54	E	Battery voltage	Engine control module relay, terminal 87
55	M	Ground, ignition	Ground point
56	E	Ignition, terminal 15	Ignition switch
57		Not used	
58		Not used	
59		Not used	
60	E	Programming voltage	Data link connector

E = Input, A = Output, M = Ground



Pin Assignments

Pin	Type	Description/Function	Connection
61		Not used	
62	E	Idle signal (LL)	Electronic throttle control module (EML)
63	E	Torque converter clutch	Not used
64	E	Ignition timing intervention	Not used
65	E	Park/Neutral sensing	Not used
66		Not used	
67	E	Inductive pulse generator (connection B)	Pulse generator, crankshaft rpm sensor
68	E	Inductive pulse generator (connection A)	Pulse generator, crankshaft rpm sensor
69		Not used	
70	E	Oxygen sensor signal	Heated oxygen sensor
71	M	Ground, oxygen sensor	Heated oxygen sensor
72		Not used	
73	E	Speedometer signal	Body electronics module (EKM)
74		Not used	
75		Not used	
76	E	Idle CO-potentiometer	Mass air flow sensor
77	E	Intake air temperature	Engine intake air temperature sensor
78	E	Engine coolant temperature	Engine coolant temperature sensor
79		Not used	
80		Not used	
81	E	Antitheft signal	Starter immobilization relay (early production) Electronic immobilizer control module (EWS II)
82	E	ASC ignition angle control	ASC + T control unit
83	E/A	Data link	Cyl. 1-6 engine control module
84		Not used	
85	E	Identifier, Cyl. 7 - 12 engine control module	Ground point
86		Not used	
87	E	RxD diagnostic data line	Data link connector
88	E/A	TxD diagnostic data line	Data link connector

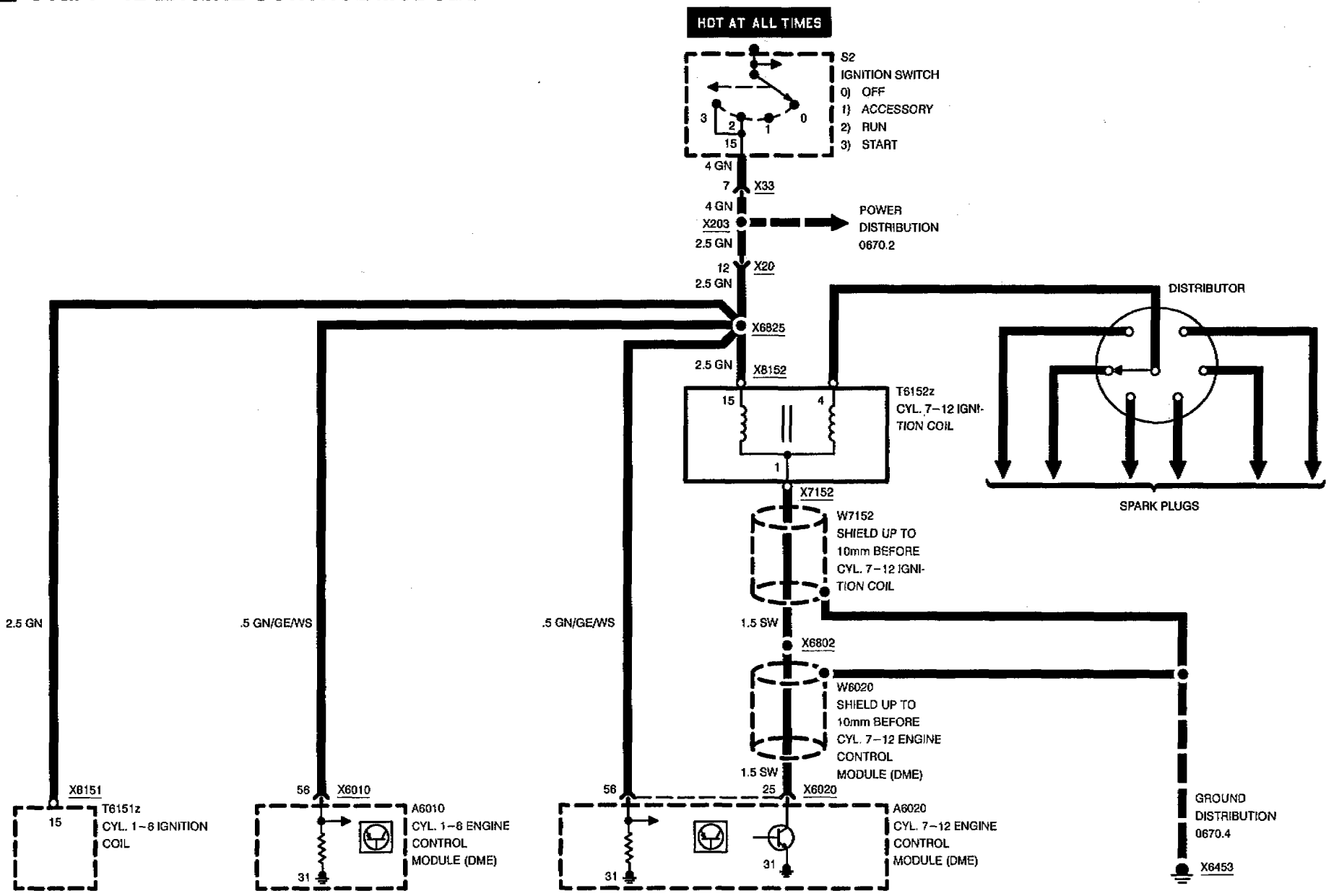
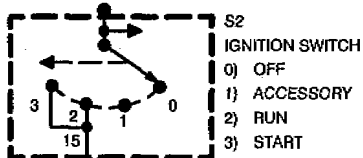
E = Input, A = Output, M = Ground



ENGINE CONTROL SYSTEM (DME M1.7, 12-CYLINDER M70)

CYL. 7-12 ENGINE CONTROL MODULE

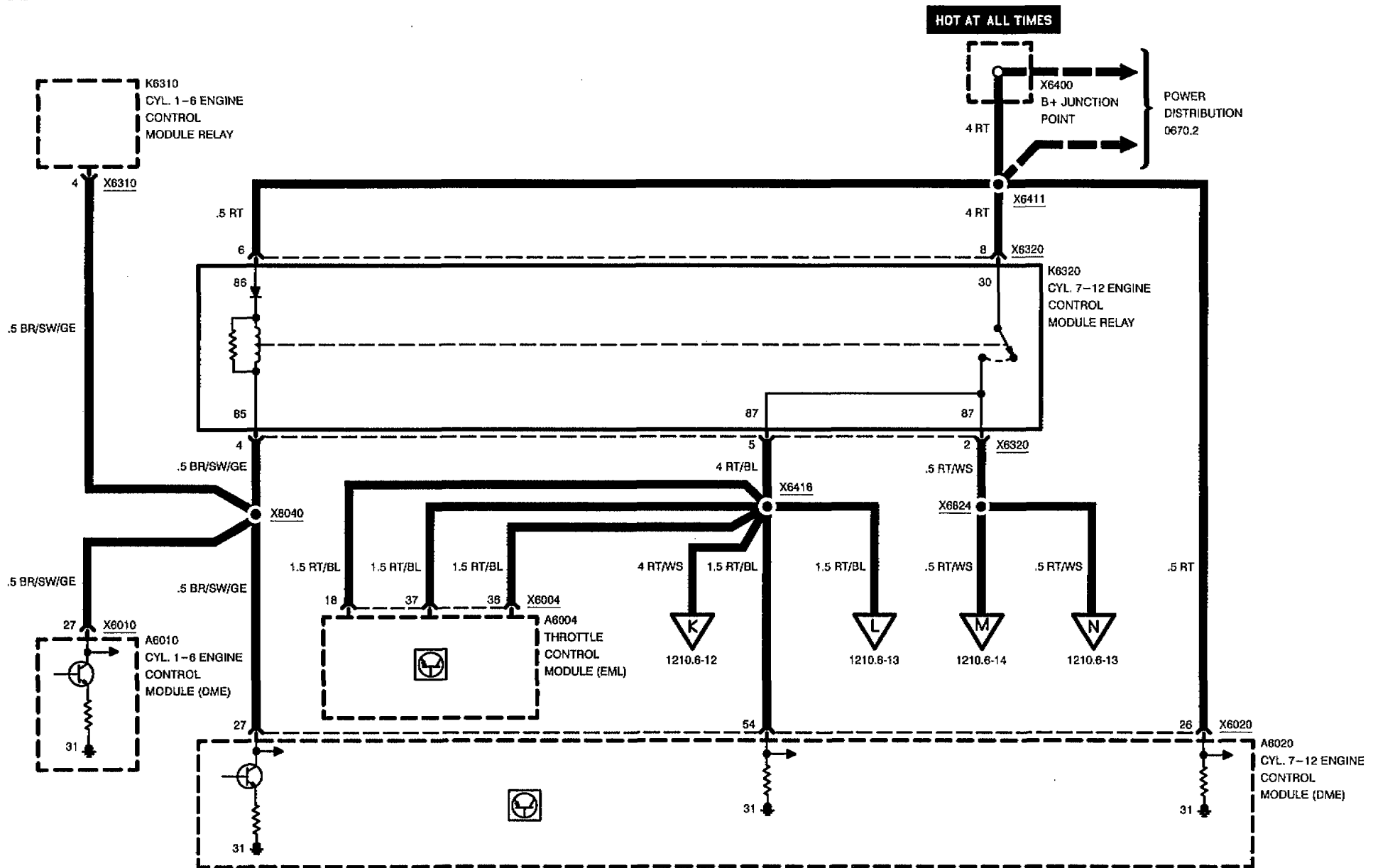
HOT AT ALL TIMES





ENGINE CONTROL SYSTEM (DME M1.7, 12-CYLINDER M70)

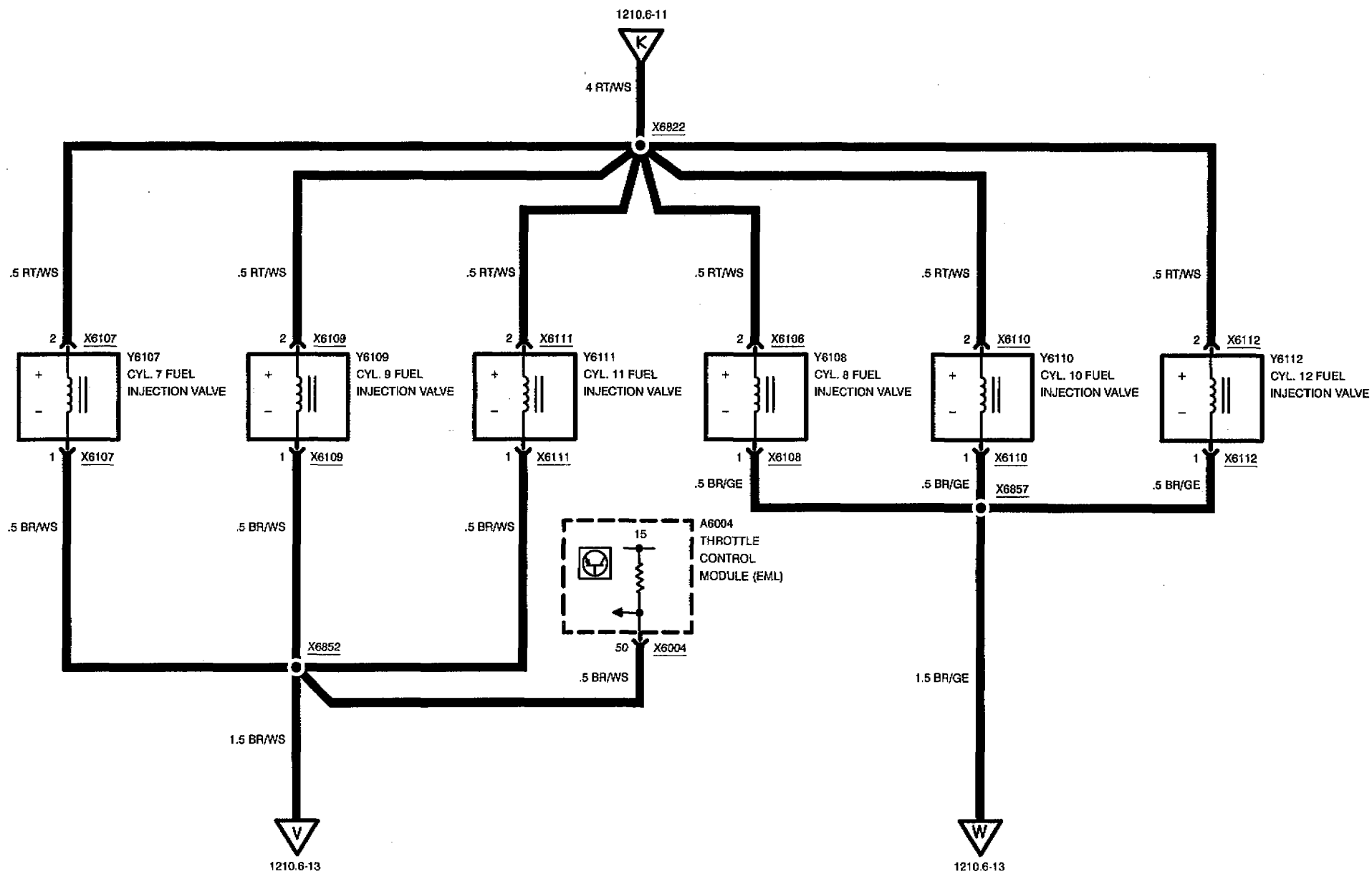
CYL. 7-12 ENGINE CONTROL MODULE





ENGINE CONTROL SYSTEM (DME M1.7, 12-CYLINDER M70)

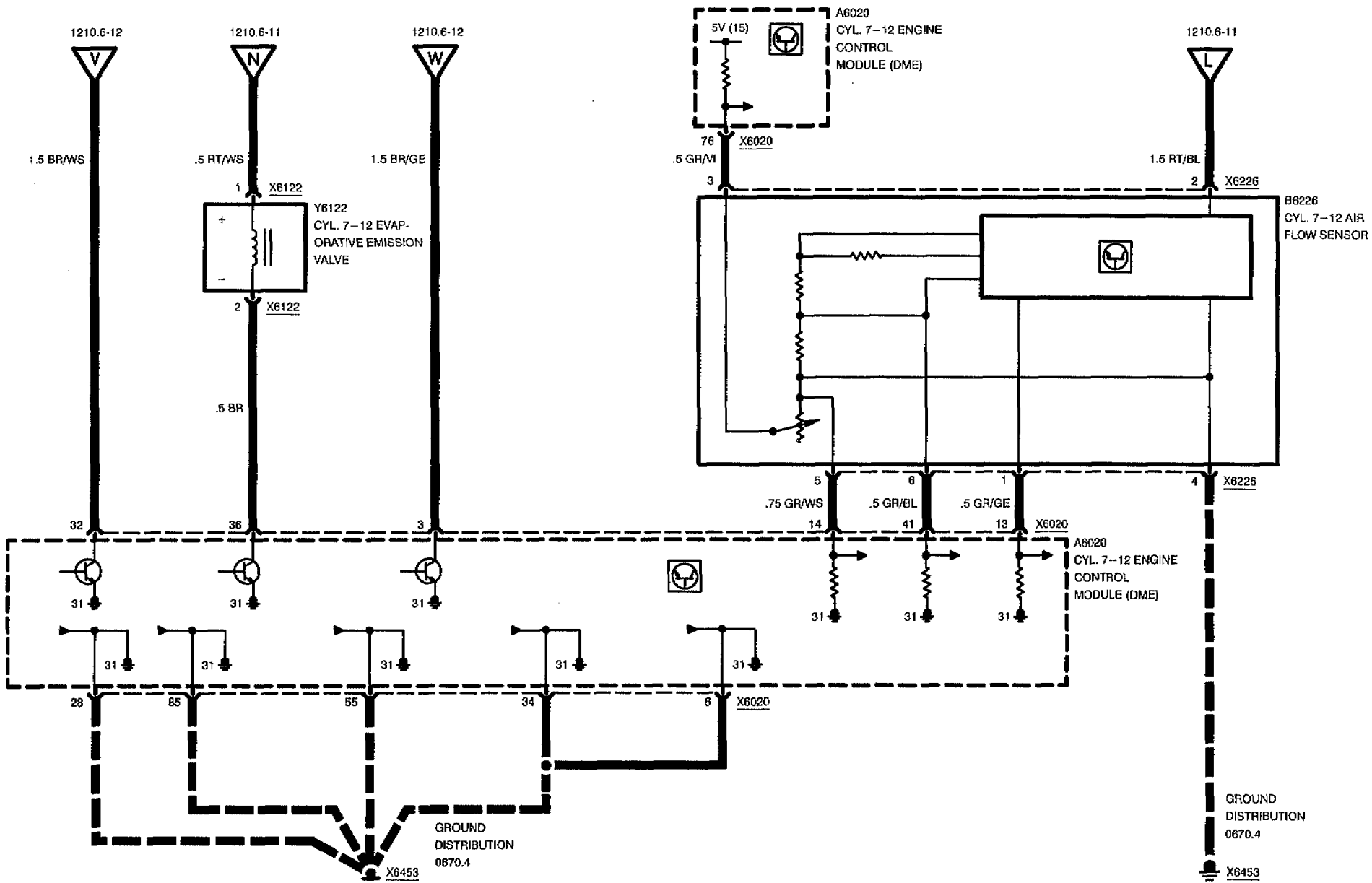
FUEL INJECTION VALVES





ENGINE CONTROL SYSTEM (DME M1.7, 12-CYLINDER M70)

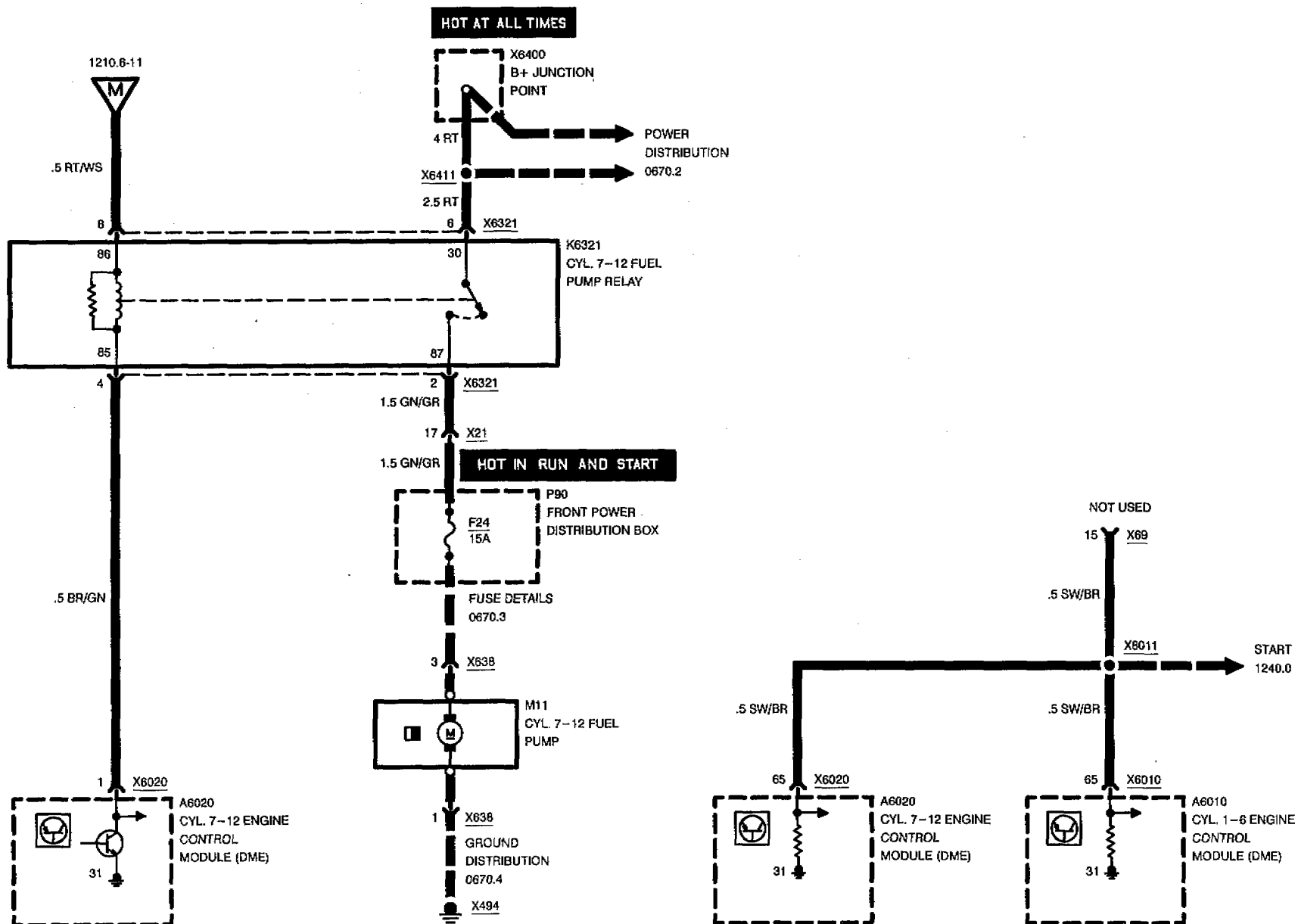
CYL. 7-12 ENGINE CONTROL MODULE





ENGINE CONTROL SYSTEM (DME M1.7, 12-CYLINDER M70)

CYL. 7-12 ENGINE CONTROL MODULE

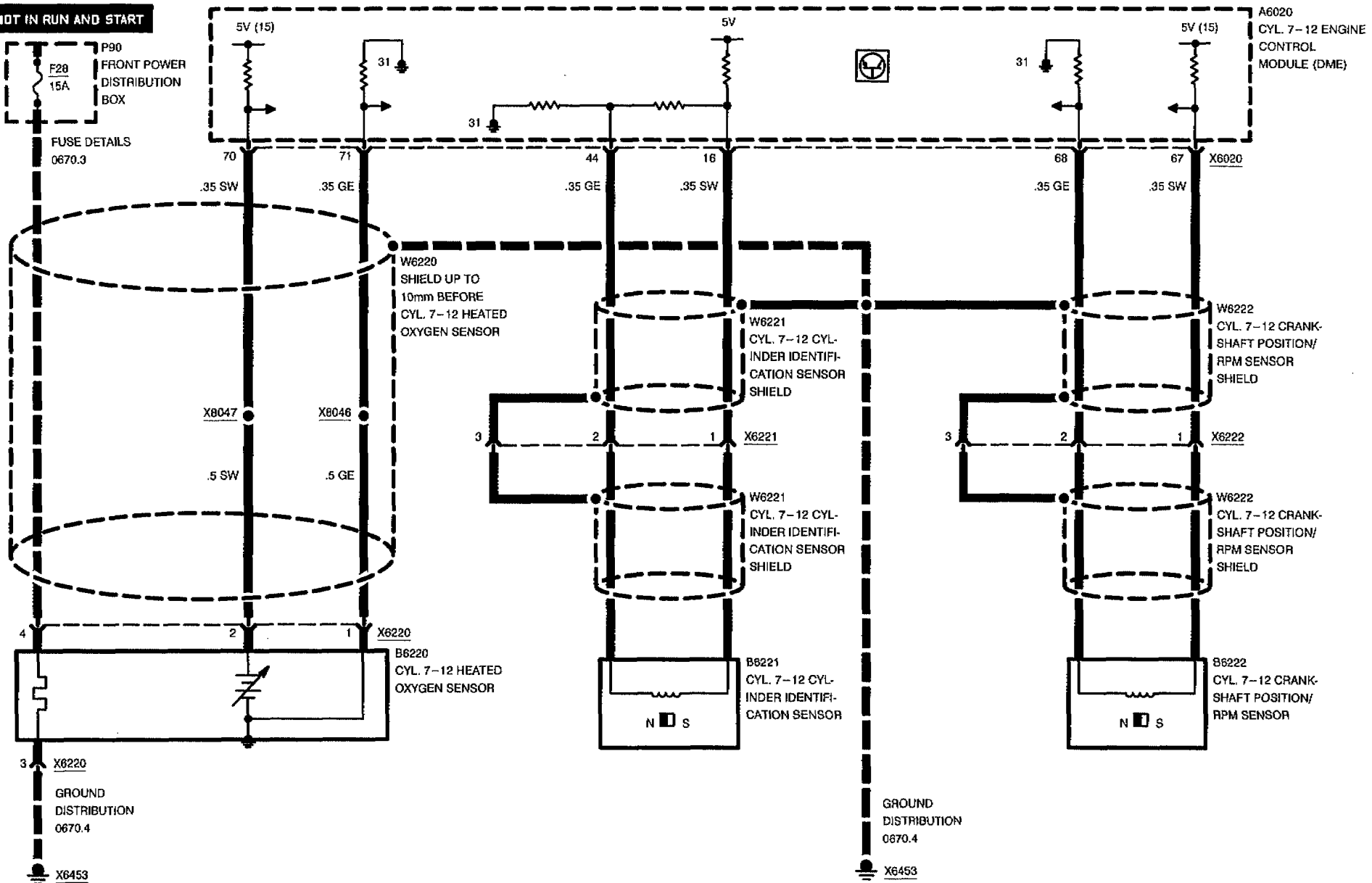




ENGINE CONTROL SYSTEM (DME M1.7, 12-CYLINDER M70)

CYL. 7-12 ENGINE CONTROL MODULE

HOT IN RUN AND START



02/97

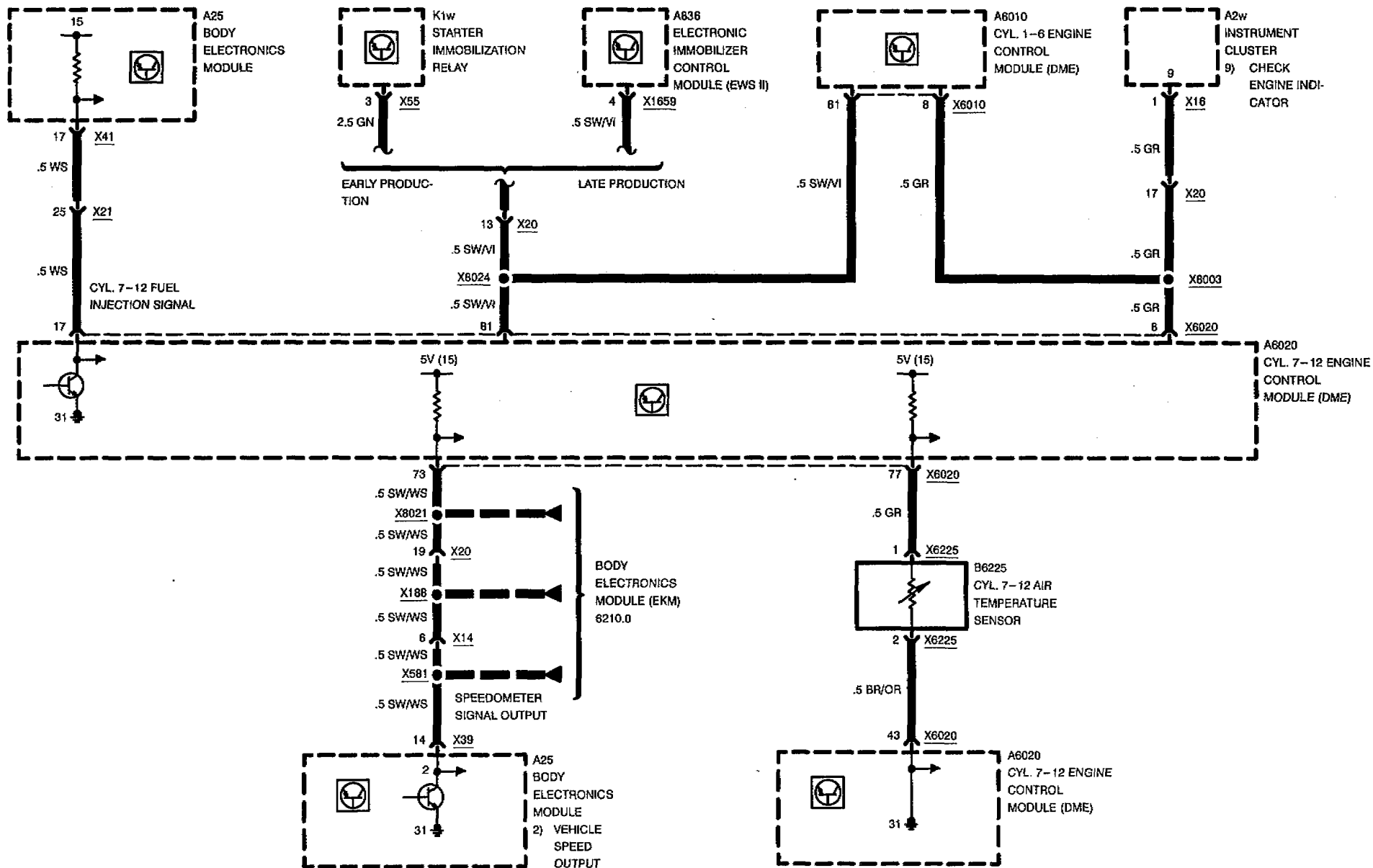
1210.6-15

95/96



ENGINE CONTROL SYSTEM (DME M1.7, 12-CYLINDER M70)

CYL. 7-12 ENGINE CONTROL MODULE



02/97

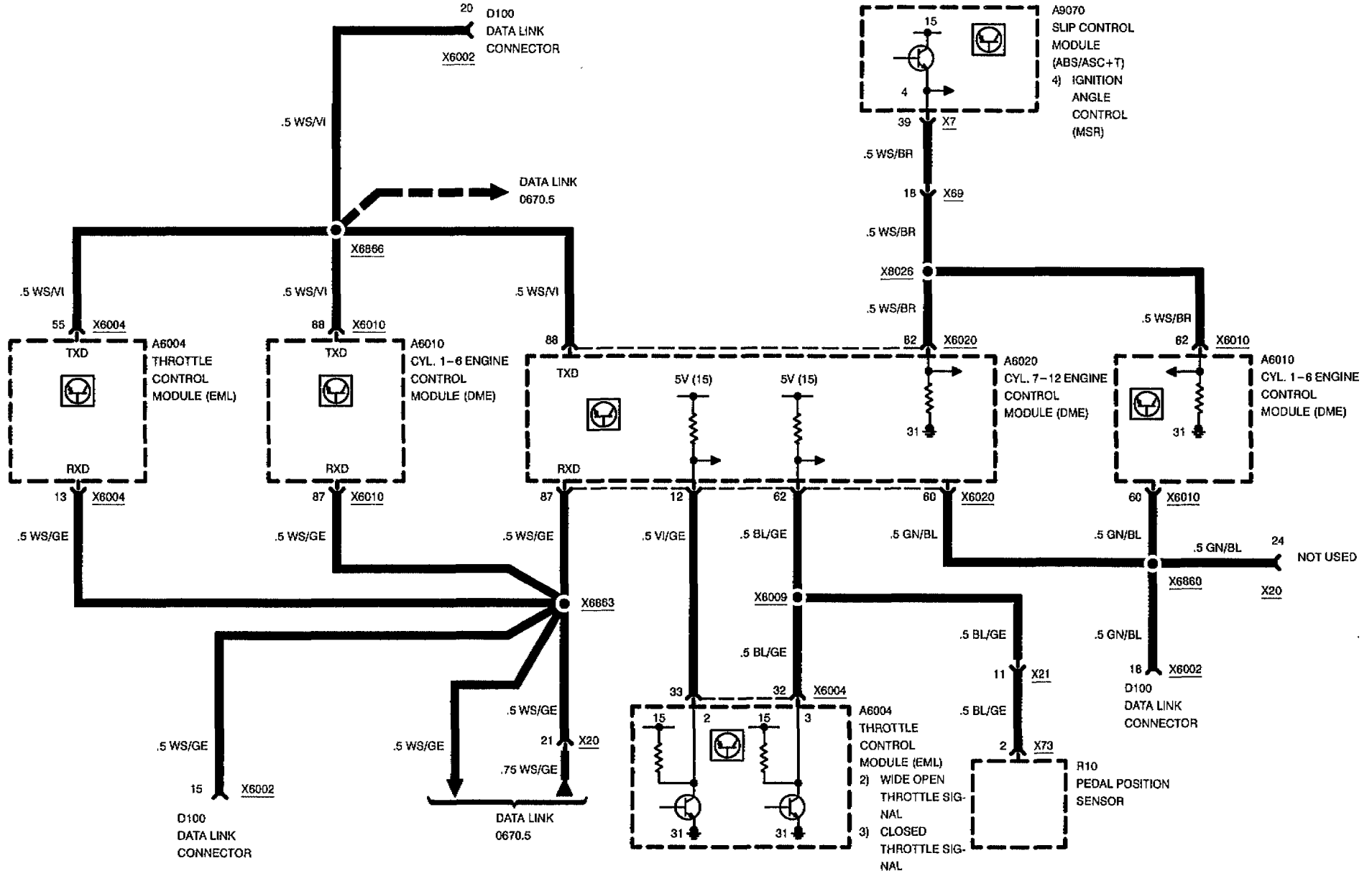
1210.6-16

95/96



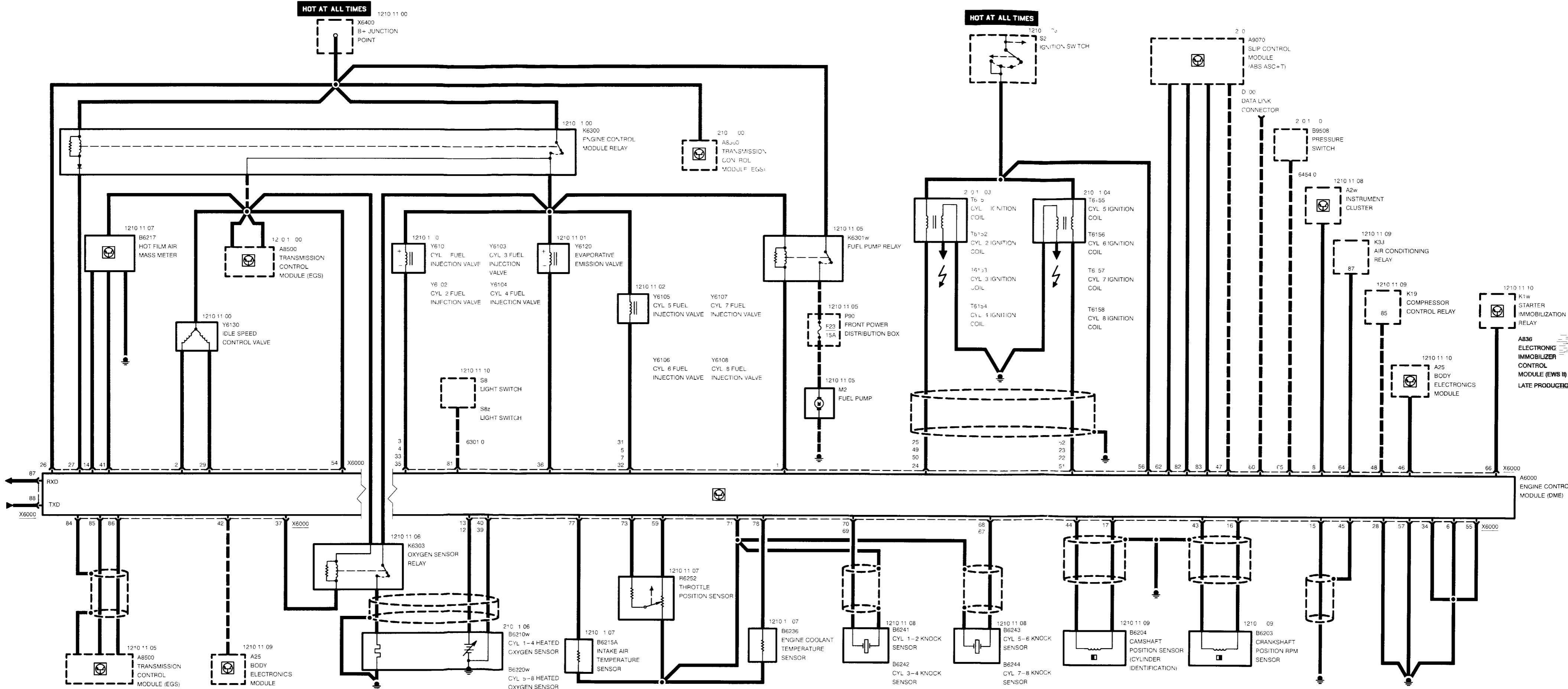
ENGINE CONTROL SYSTEM (DME M1.7, 12-CYLINDER M70)

CYL. 7-12 ENGINE CONTROL MODULE



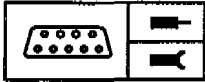
BMW
8

1210.6-18



A836
ELECTRONIC
IMMOBILIZER
CONTROL
MODULE (EWS II)
LATE PRODUCTION

A6000
ENGINE CONTROL
MODULE (DME)



Pin Assignments

X6000

Pin	Type	Description/Function	Connection
1	A	Fuel pump relay	Fuel pump relay
2	A	Air control valve closed	Idle speed control valve, Y6130
3	A	Cyl. 1 fuel injection valve	Cyl. 1 fuel injection valve, Y6101
4	A	Cyl. 4 fuel injection valve	Cyl. 4 fuel injection valve, Y6104
5	A	Cyl. 6 fuel injection valve	Cyl. 6 fuel injection valve, Y6106
6	M	Ground	Ground point, X6452
7	A	Cyl. 7 fuel injection valve	Cyl. 7 fuel injection valve, Y6107
8	A	"CHECK ENGINE"-lamp	Instrument cluster, A2
9		Not used	
10		Not used	
11		Not used	
12	E	Signal Cyl. 5 - 8 heated oxygen sensor	Cyl. 5 - 8 heated oxygen sensor, B6220
13	E	Signal Cyl. 1 - 4 heated oxygen sensor	Cyl. 1 - 4 heated oxygen sensor, B6210
14	M	Ground from air mass meter	Hot film air mass meter
15	M	Injection signal	Resistor, R6240
16	E	Signal crankshaft/RPM	Crankshaft position/RPM sensor, B6203
17	E	Signal camshaft position	Camshaft position sensor
18		Not used	
19		Not used	
20		Not used	
21		Not used	
22	A	Cyl. 7 ignition signal	Cyl. 7 ignition coil, T6157
23	A	Cyl. 6 ignition signal	Cyl. 6 ignition coil, T6156
24	A	Cyl. 4 ignition signal	Cyl. 4 ignition coil, T6154
25	A	Cyl. 1 ignition signal	Cyl. 1 ignition coil, T6151
26	E	Continuous plus supply terminal 30	B+ junction box
27	A	Signal to engine control module relay	Engine control module relay, K6300
28	M	Ground	Ground point, X6452
29	A	Air control valve open	Idle speed control valve, Y6130
30		Not used	

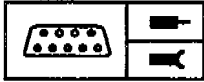
E = Input, A = Output, M = Ground



Pin Assignments

Pin	Type	Description/Function	Connection
31	A	Cyl. 5 fuel injection valve	Cyl. 5 fuel injection valve, Y6105
32	A	Cyl. 8 fuel injection valve	Cyl. 8 fuel injection valve, Y6108
33	A	Cyl. 3 fuel injection valve	Cyl. 3 fuel injection valve, Y6103
34	M	Ground	Ground point, X6452
35	A	Cyl. 2 fuel injection valve	Cyl. 2 fuel injection valve, Y6102
36	A	Signal evaporative emission	Evaporative emission valve, Y6120
37	A	Signal oxygen sensor heating	Oxygen sensor relay, K6303
38		Not used	
39	M	Ground Cyl. 5 - 8 oxygen sensor	Cyl. 5 - 8 heated oxygen sensor, B6220
40	M	Ground Cyl. 1 - 4 oxygen sensor	Cyl. 1 - 4 heated oxygen sensor, B6210
41	E	Signal air flow	Hot film air mass meter
42	E	Vehicle speed	Body electronics module
43	M	Ground, camshaft RPM sensor	Crankshaft position/RPM sensor, B6203
44	M	Ground, crankshaft position sensor	Camshaft position sensor
45	M	Ground, ignition signal shield	Shield, ignition signal, R6240
46	A	Signal fuel consumption	Instrument cluster, A2
47	A	Signal engine speed (RPM)	Instrument cluster, A2
48	A	Signal climate compressor	Compressor control relay, K19
49	A	Cyl. 2 ignition signal	Cyl. 2 ignition coil, T6152
50	A	Cyl. 3 ignition signal	Cyl. 3 ignition coil, T6153
51	A	Cyl. 8 ignition signal	Cyl. 8 ignition coil, T6158
52	A	Cyl. 5 ignition signal	Cyl. 5 ignition coil, T6155
53		Not used	
54	E	Signal engine control module relay	Engine control module relay, K6300
55	M	Ground	Ground point, X6452
56	E	Plus supply terminal 15	Ignition switch, S2
57	M	Ground for sensors and shields	Ground point
58		Not used	
59	A	Plus supply (+5V)	Throttle position sensor, R6252
60	E	Programming voltage	Data link connector, D100
61		Not used	
62	E	Signal electronic throttle control	Slip control module (ABS/ASC+T), A9070

E = Input, A = Output, M = Ground



Pin Assignments

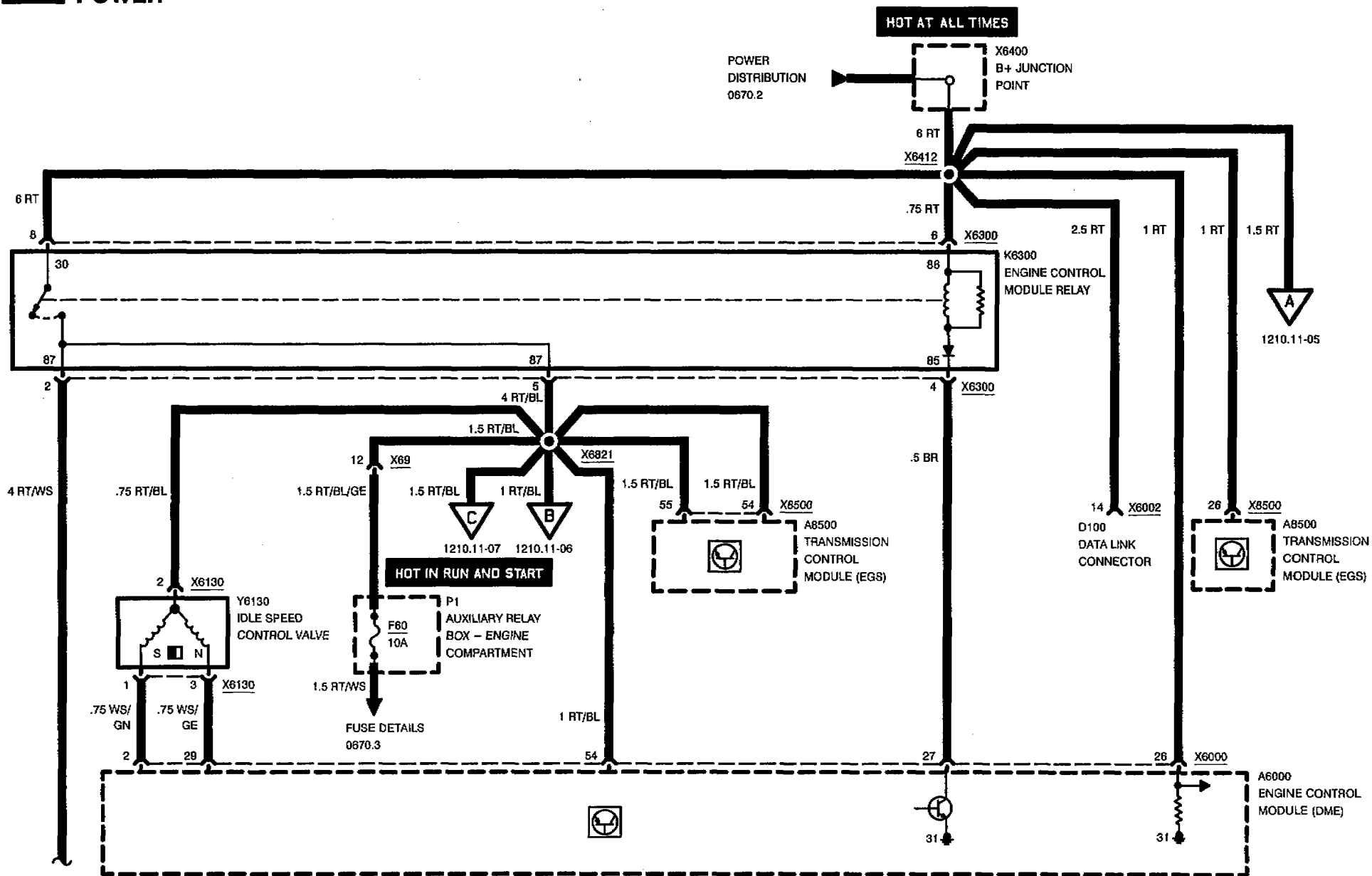
Pin	Type	Description/Function	Connection
63		Not used	
64	E	Signal AC ready	Air conditioning relay
65	E	Signal AC-compressor	Pressure switch, B8y
66	E	Antitheft signal	Starter immobilization relay (early production) Electronic immobilizer control module (EWS II)
67	E	Signal, Cyl. 7 - 8 knock sensor	Cyl. 7 - 8 knock sensor, B6244
68	E	Signal, Cyl. 5 - 6 knock sensor	Cyl. 5 - 6 knock sensor, B6243
69	E	Signal, Cyl. 3 - 4 knock sensor	Cyl. 3 - 4 knock sensor, B6242
70	E	Signal, Cyl. 1 - 2 knock sensor	Cyl. 1 - 2 knock sensor, B6241
71	M	Ground	Sensors
72		Not used	
73	E	Signal throttle position sensor	Throttle position sensor, R6252
74		Not used	
75		Not used	
76		Not used	
77	E	Signal intake air temperature	Engine intake air temperature sensor, B6215
78	E	Signal engine coolant temperature	Engine coolant temperature sensor
79		Not used	
80		Not used	
81	E	Signal headlights on	Light switch
82	E	Engine coasting signal	Slip control module (ABS/ASC+ T), A9070
83	E	Traction control regulation signal	Slip control module (ABS/ASC+ T), A9070
84	A	CAN - Shield	Transmission control module A8500
85	E/A	CAN - L	Transmission control module, A8500
86	E/A	CAN - H	Transmission control module, A8500
87	A	Diagnosis	Data link connector, RxD
88	E/A	Diagnosis	Data link connector, TxD

E = Input, A = Output, M = Ground



ENGINE CONTROL SYSTEM (DME M3.3, 8-CYLINDER M60)

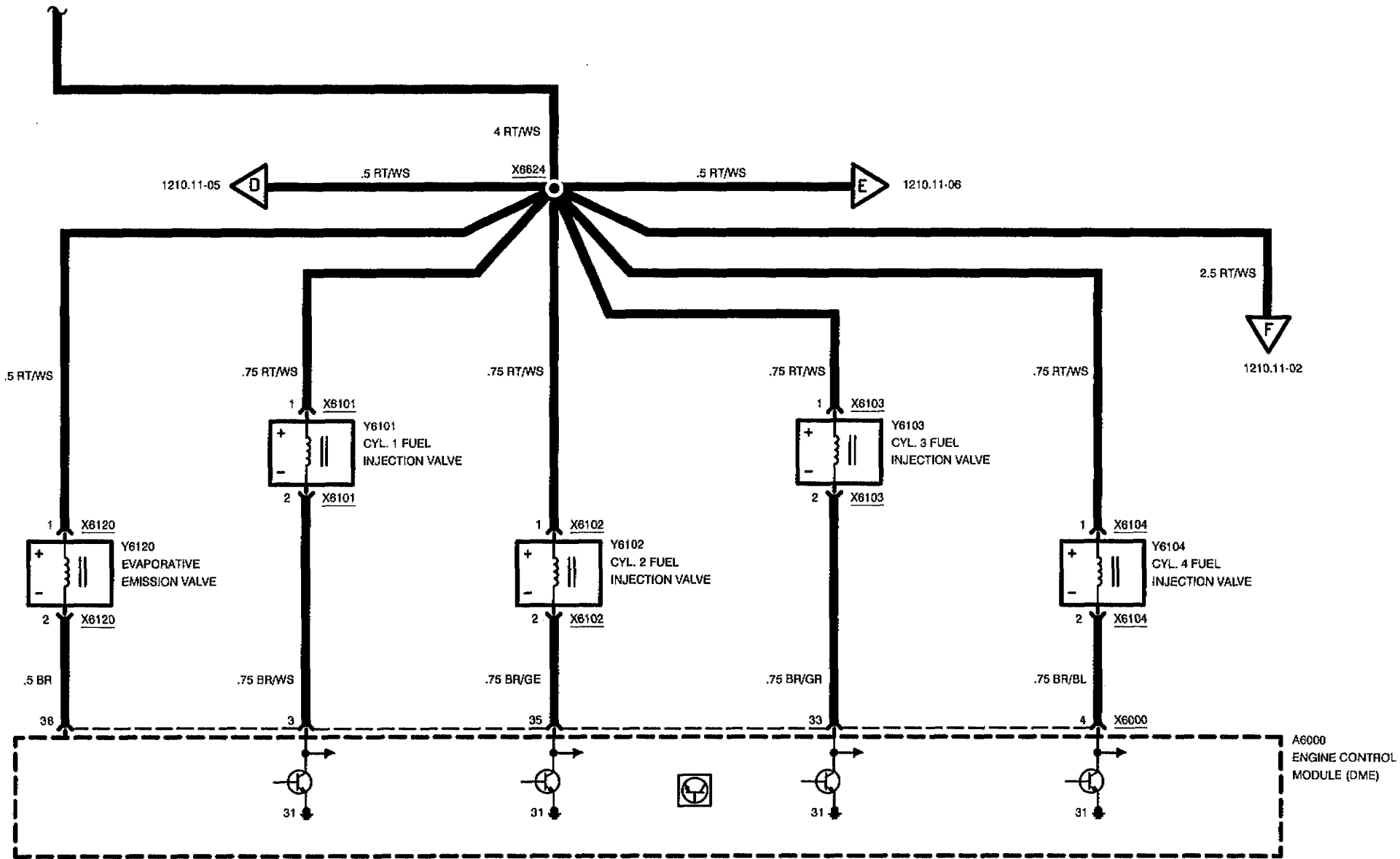
POWER



02/97

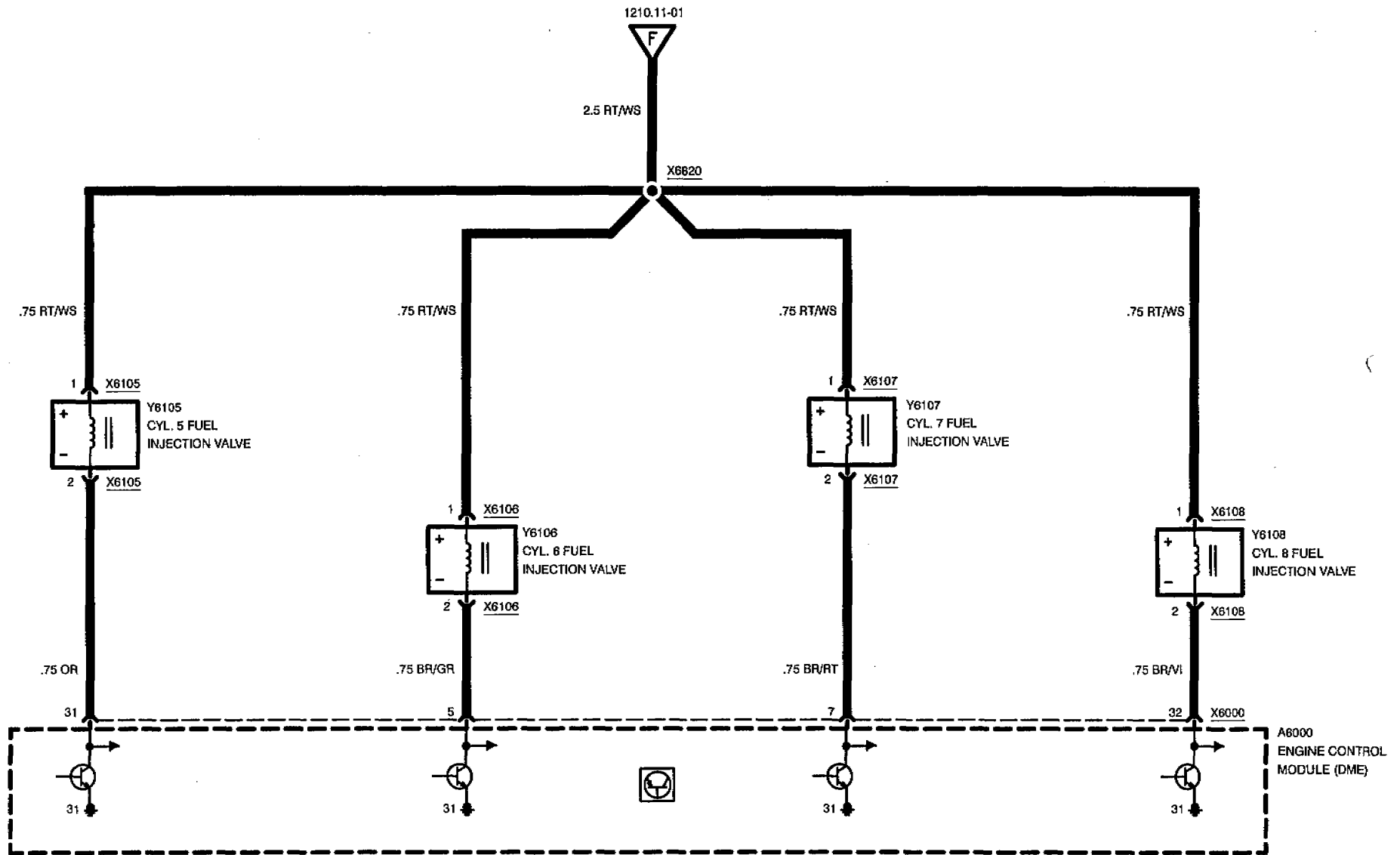
1210.11-00

95/96





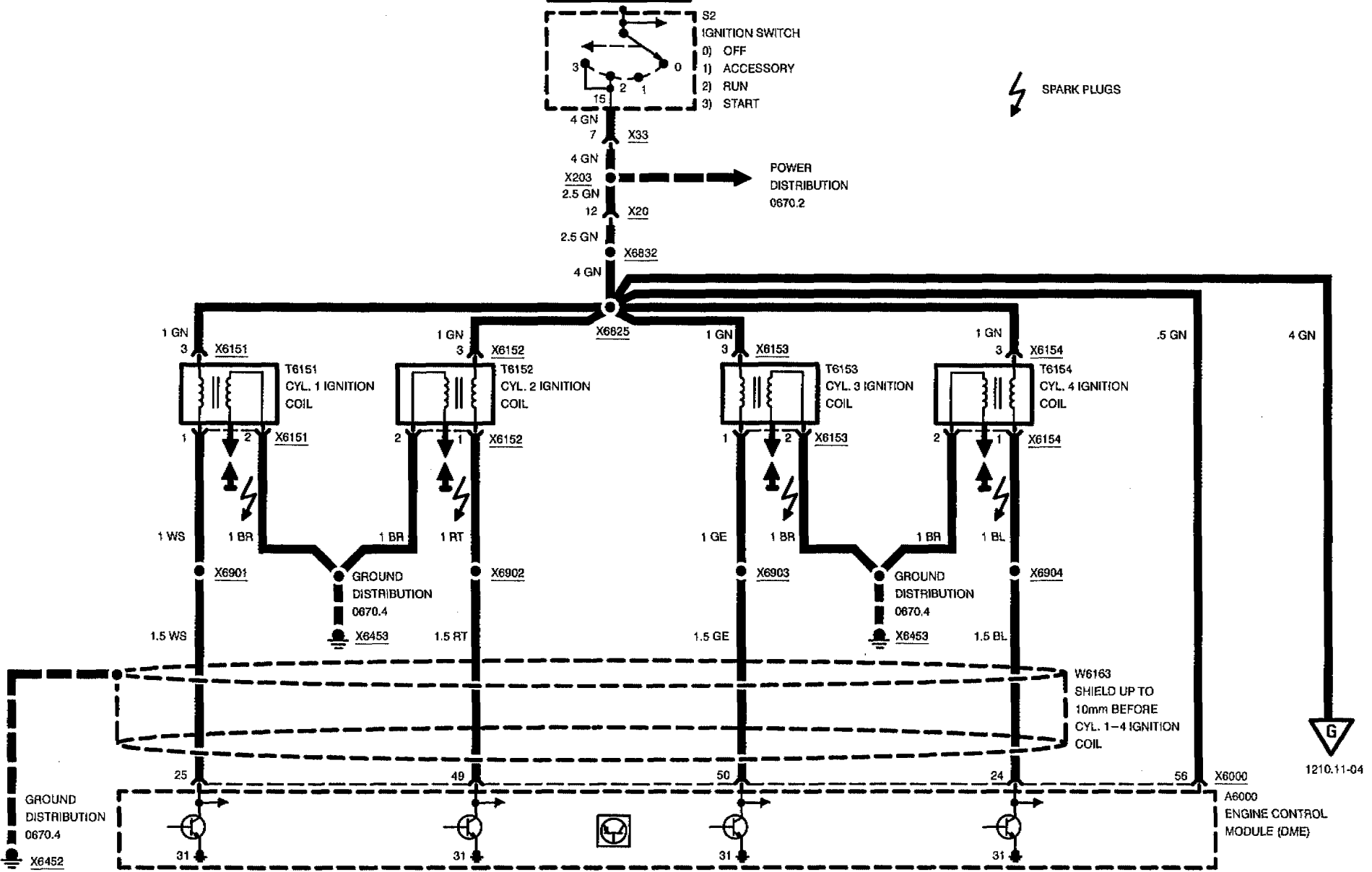
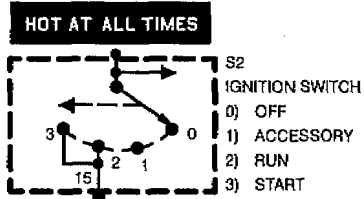
ENGINE CONTROL SYSTEM (DME M3.3, 8-CYLINDER M60)





ENGINE CONTROL SYSTEM (DME M3.3, 8-CYLINDER M60)

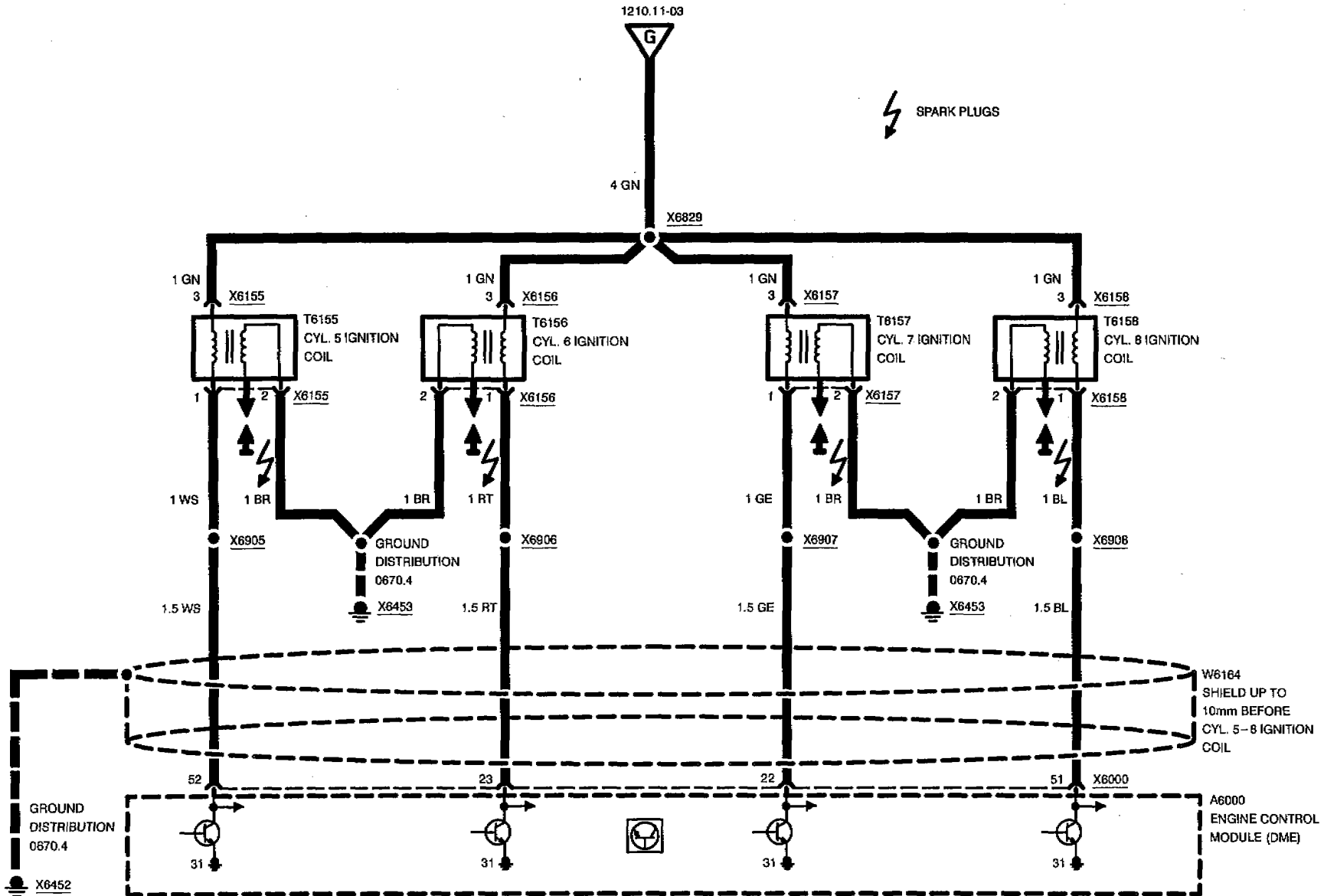
IGNITION COILS





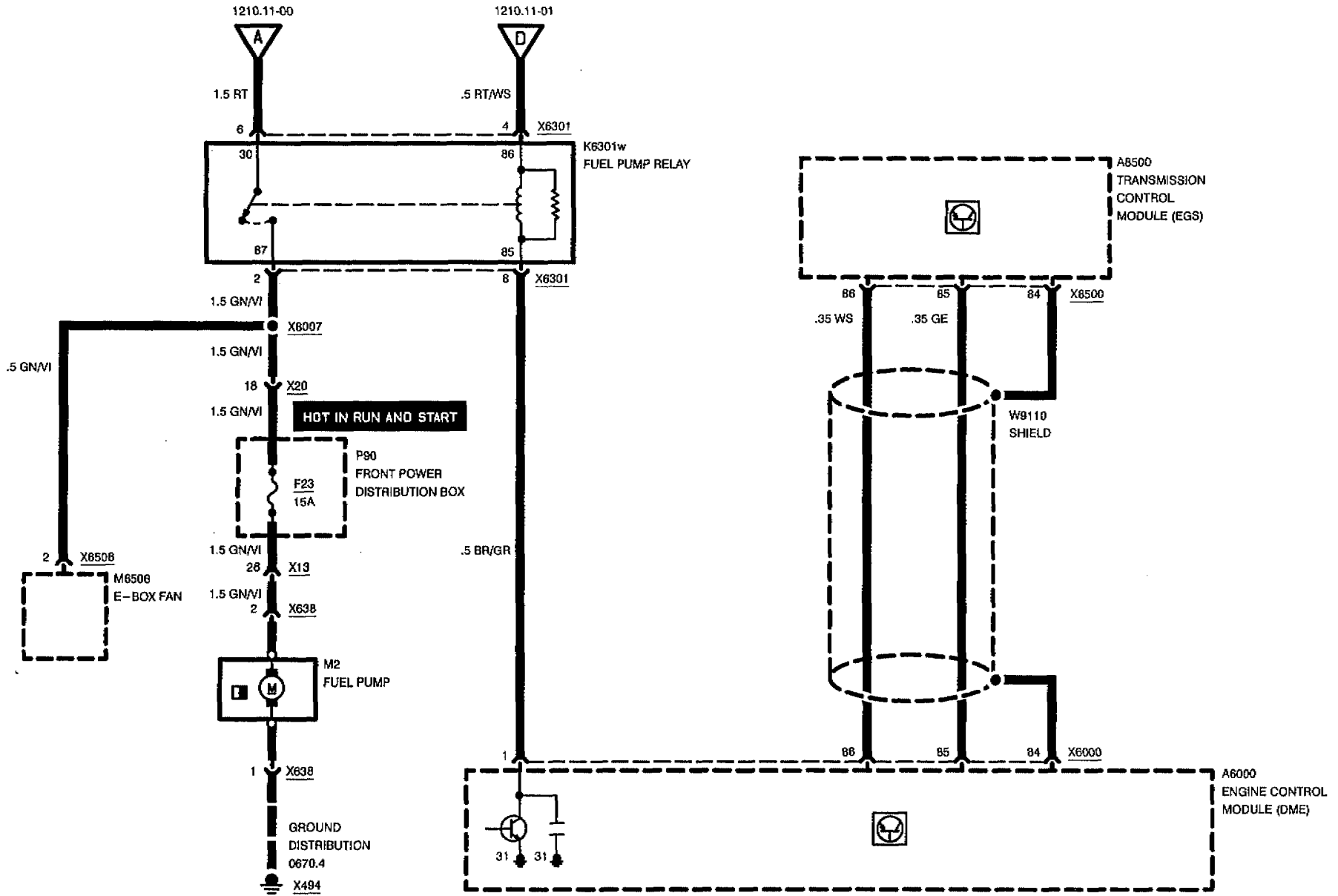
ENGINE CONTROL SYSTEM (DME M3.3, 8-CYLINDER M60)

IGNITION COILS





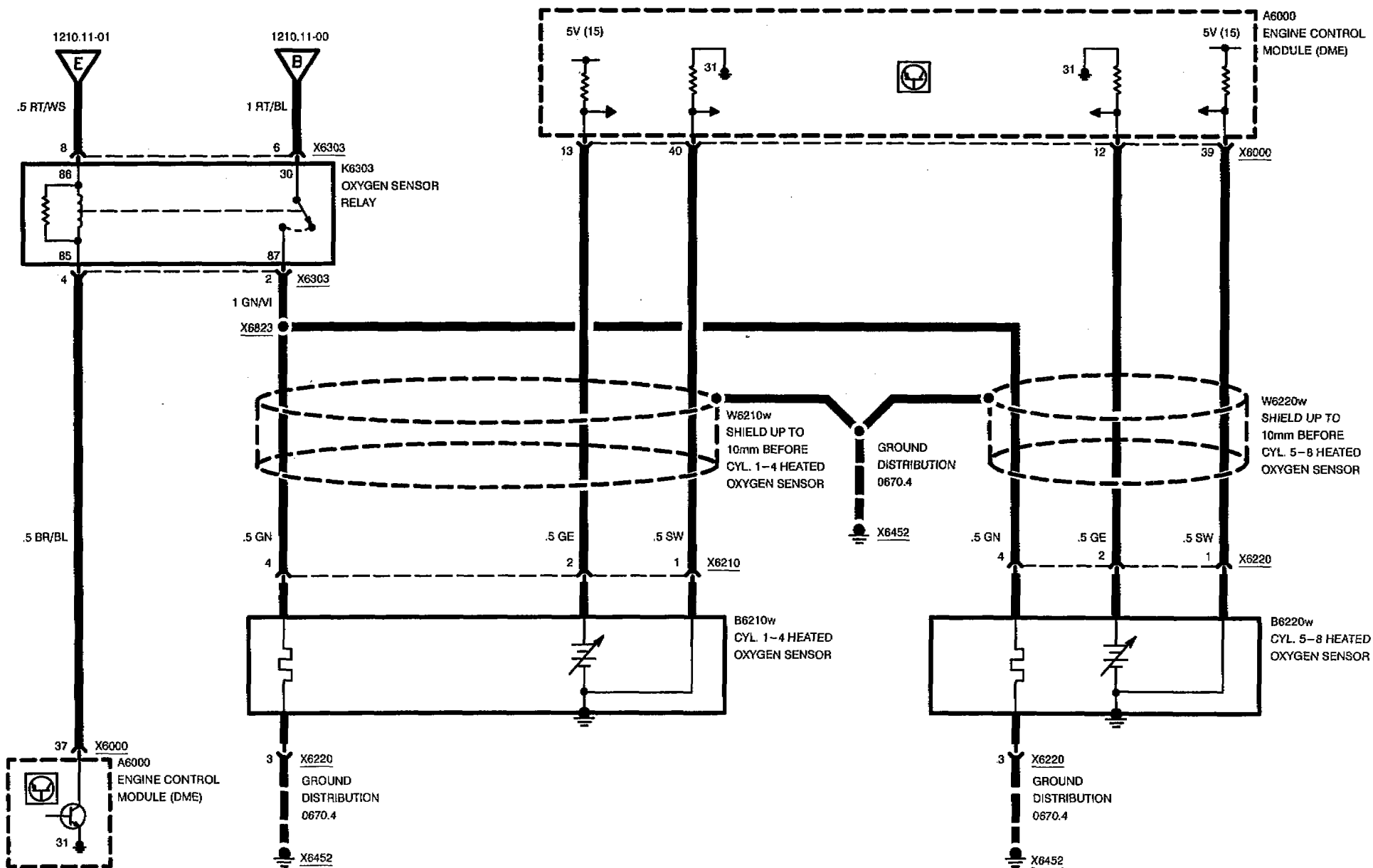
ENGINE CONTROL SYSTEM (DME M3.3, 8-CYLINDER M60)





ENGINE CONTROL SYSTEM (DME M3.3, 8-CYLINDER M60)

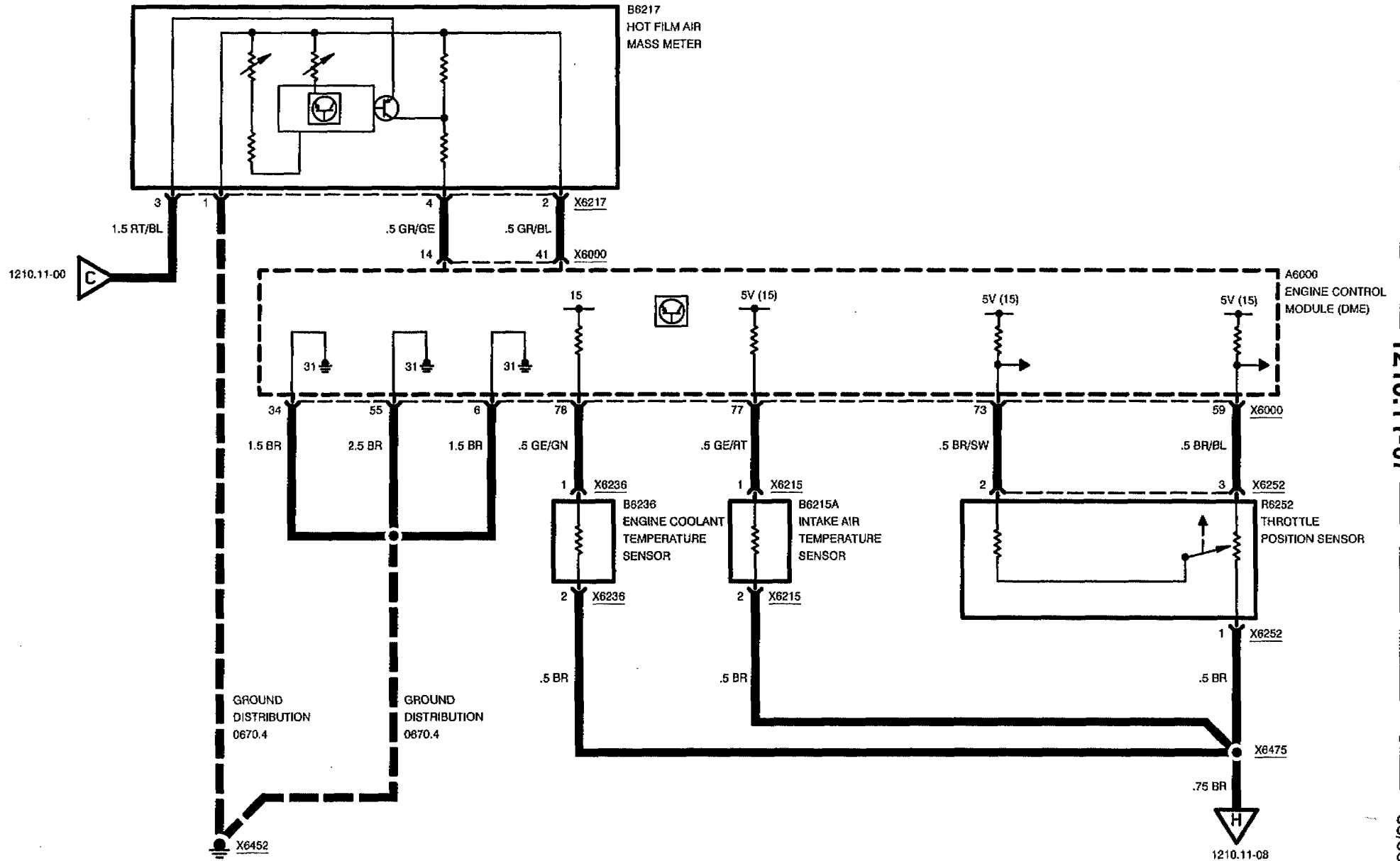
OXYGEN SENSORS



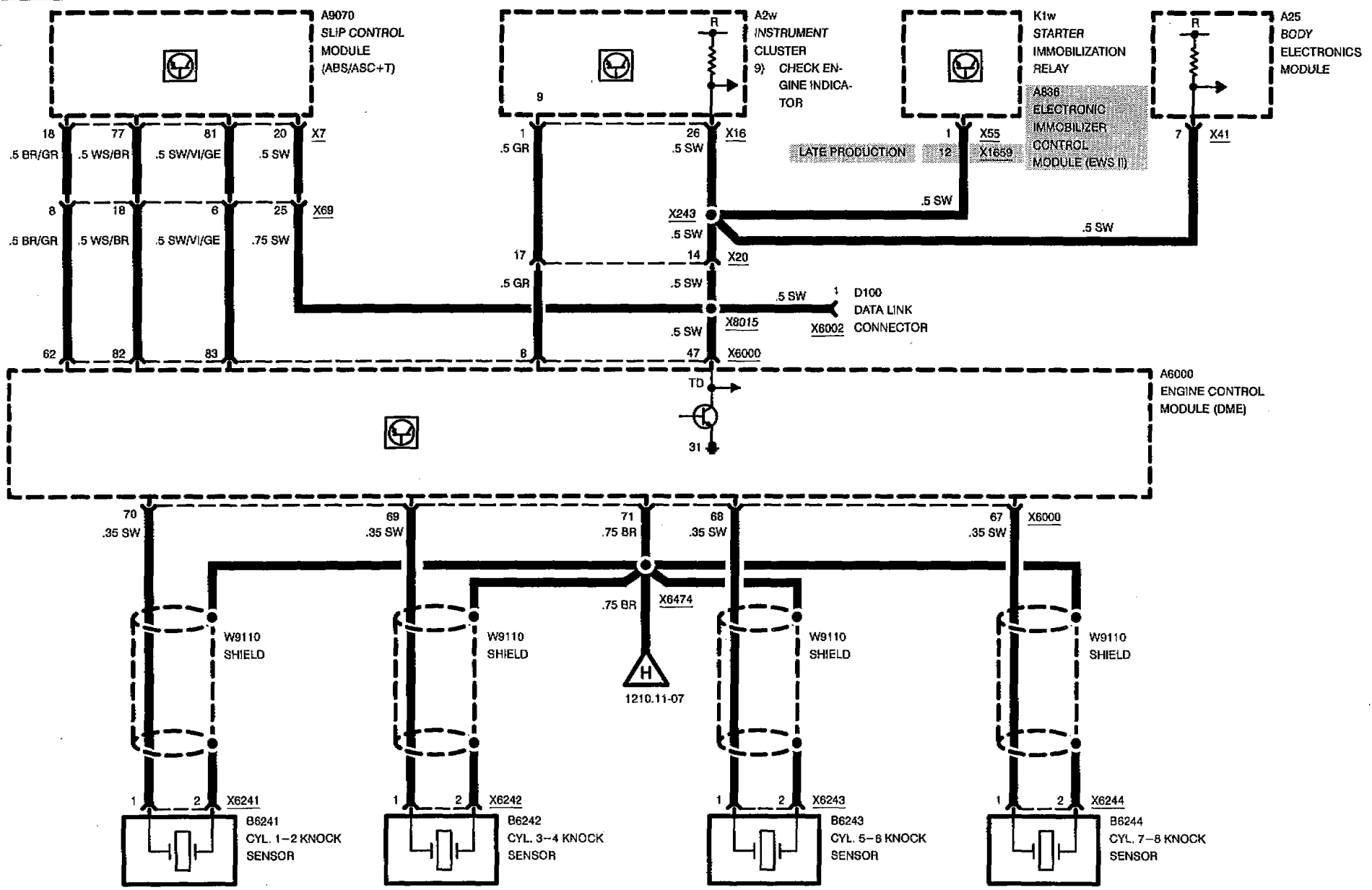


ENGINE CONTROL SYSTEM (DME M3.3, 8-CYLINDER M60)

SENSORS

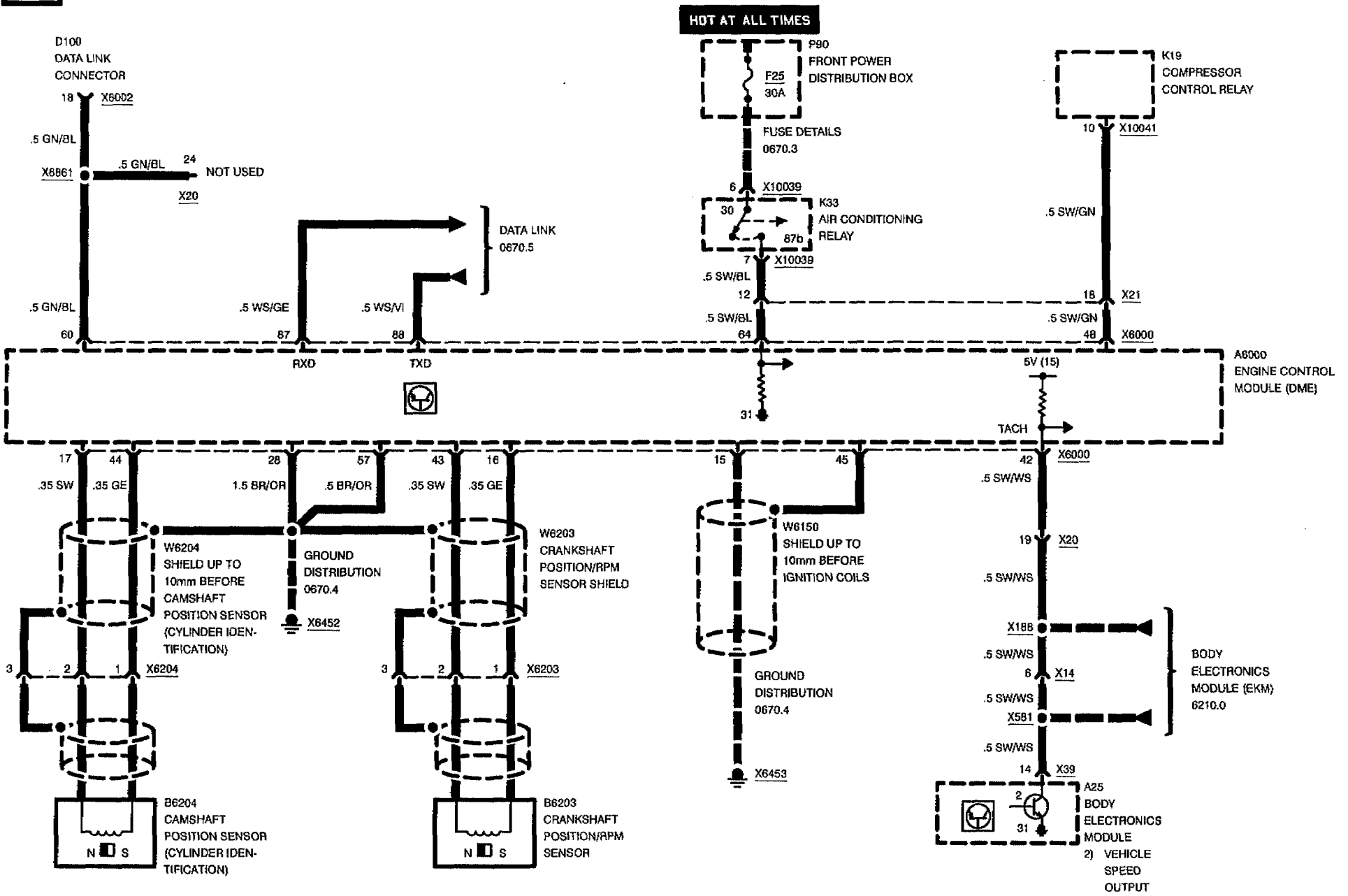


ENGINE CONTROL SYSTEM (DME M3.3, 8-CYLINDER M60)



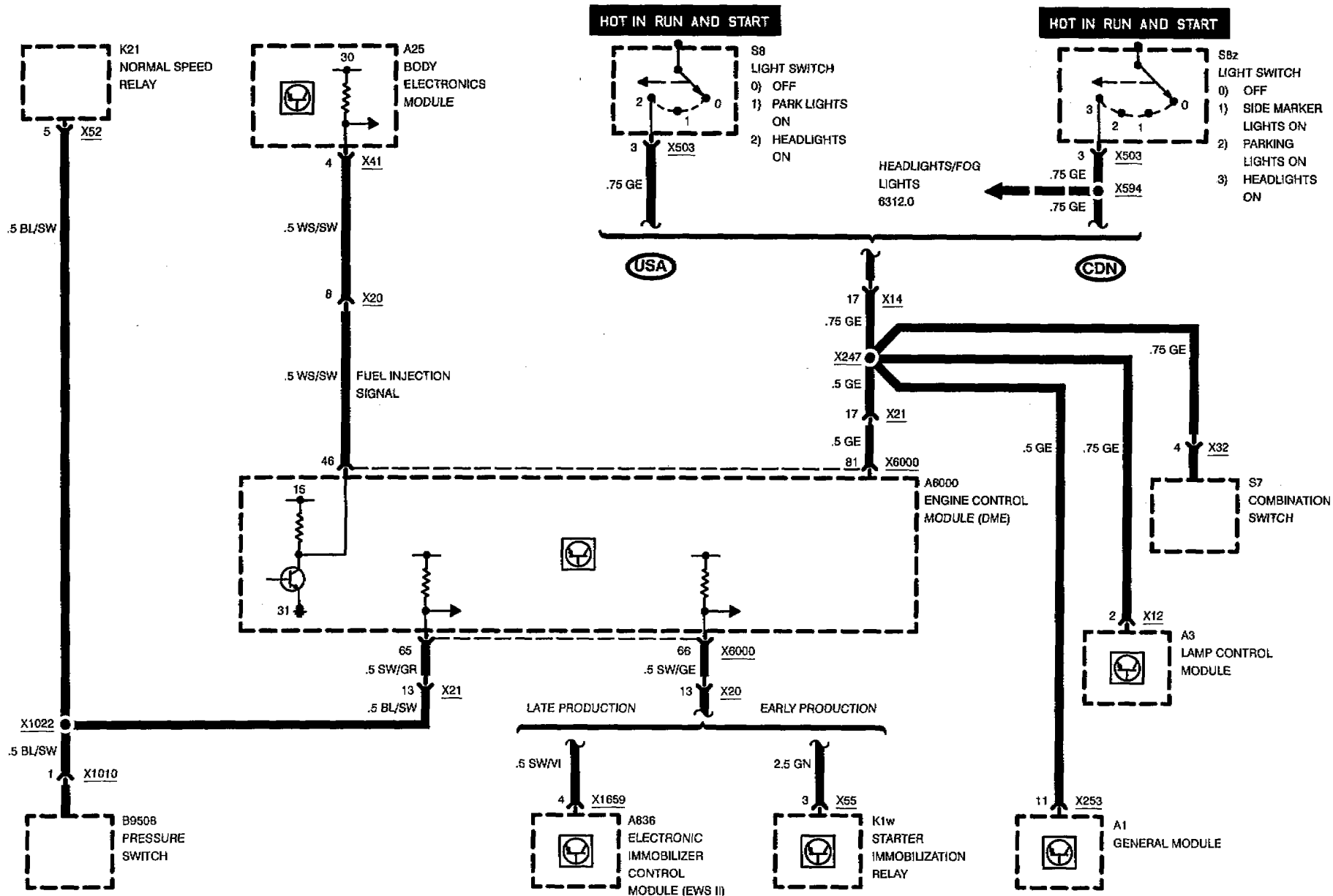


ENGINE CONTROL SYSTEM (DME M3.3, 8-CYLINDER M60)

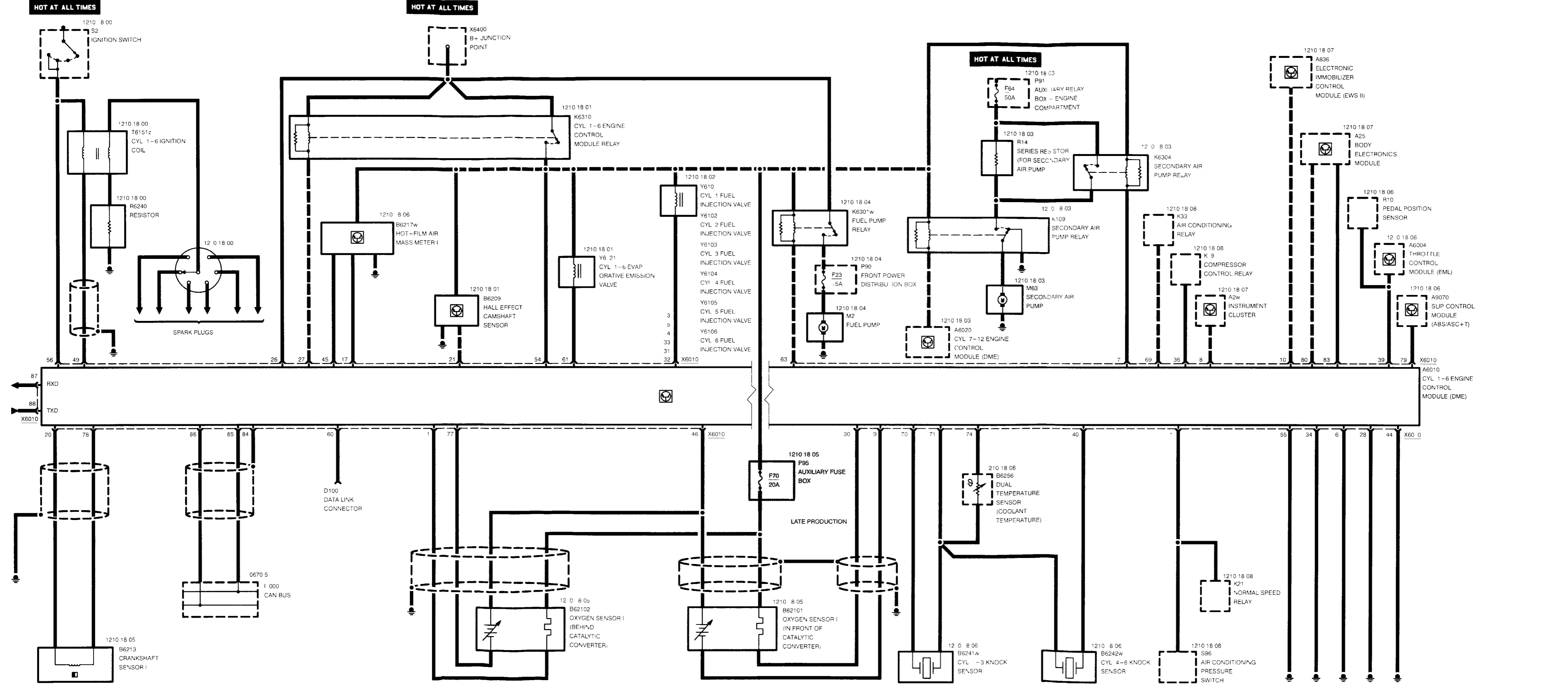


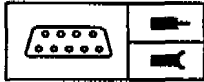


ENGINE CONTROL SYSTEM (DME M3.3, 8-CYLINDER M60)



02/97
1210.11-10
95/96



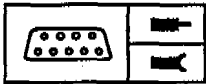


Pin Assignments

X6010

Pin	Type	Description/Function	Connection
1	M	Ground, cyl. 1-6 oxygen sensor heating	Oxygen sensor I (behind catalytic converter)
2		Not used	
3	A	Signal fuel injection	Cyl. 1 fuel injection valve
4	A	Signal fuel injection	Cyl. 3 fuel injection valve
5	A	Signal fuel injection	Cyl. 2 fuel injection valve
6	M	Ground	Ground point
7	A	Activate relay	Secondary air pump relay, K6304
8	A	"CHECK ENGINE" lamp	Instrument cluster
9		Not used	
10	E	Drive-away protection	Electronic immobilizer control module (EWS II)
11	E	Signal AC-compressor	Air conditioning pressure switch
12		Not used	
13		Not used	
14		Not used	
15		Not used	
16		Not used	
17	E	Signal air mass meter	Hot film air mass meter I
18		Not used	
19	E	Signal cyl. 1-6 oxygen sensor	Oxygen sensor I (in front of catalytic converter)
20	M	Sensor ground	Crankshaft sensor I
21	E	Signal camshaft sensor	Hall effect camshaft sensor
22		Not used	
23		Not used	
24		Not used	
25		Not used	
26	E	Plus supply terminal 30	B+ junction point
27	A	Activate relay	Cyl. 1-6 engine control module relay
28	M	Ground	Ground point
29		Not used	

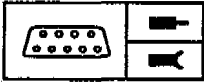
E = Input, A = Output, M = Ground



Pin Assignments

Pin	Type	Description/Function	Connection
30	M	Ground, cyl. 1-6 oxygen sensor heating	Oxygen sensor I (in front of catalytic converter)
31	A	Signal fuel injection	Cyl. 5 fuel injection valve
32	A	Signal fuel injection	Cyl. 6 fuel injection valve
33	A	Signal fuel injection	Cyl. 4 fuel injection valve
34	M	Ground	Ground point
35		Not used	
36	A	Signal climate compressor	Compressor control relay
37		Not used	
38		Not used	
39	E	Signal pedal position	Pedal position sensor
40	E	Signal knock sensor	Cyl. 4-6 knock sensor
41		Not used	
42		Not used	
43		Not used	
44	M	Injection signal	Resistor, R6240
45	M	Ground, air mass meter	Hot film air mass meter I
46	M	Ground, oxygen sensors	Cyl. 1-6 oxygen sensors
47		Not used	
48		Not used	
49	A	Ignition terminal 1	Cyl. 1-6 ignition coil
50		Not used	
51		Not used	
52		Not used	
53		Not used	
54	E	Signal engine control module relay	Cyl. 1-6 engine control module relay
55	M	Ground	Ground point
56	E	Plus supply terminal 15	Ignition switch
57		Not used	
58		Not used	
59		Not used	
60	E	Programming voltage	Data link connector
61	A	Signal evaporative emission	Cyl. 1-6 evaporative emission valve

E = Input, A = Output, M = Ground



Pin Assignments

Pin	Type	Description/Function	Connection
62		Not used	
63	A	Signal fuel pump	Fuel pump relay
64		Not used	
65		Not used	
66		Not used	
67		Not used	
68		Not used	
69	E	Signal AC on/off	Air conditioning relay
70	E	Signal knock sensor	Cyl. 1-3 knock sensor
71	M	Ground sensors	Knock/temperature sensors
72		Not used	
73		Not used	
74	E	Engine temperature	Dual temperature sensor (coolant temperature)
75		Not used	
76		Not used	
77	E	Signal cyl. 1-6 oxygen sensor	Oxygen sensor I (behind catalytic converter)
78	E	Signal cyl. 1-6 crankshaft sensor	Crankshaft sensor I
79	E	Signal right rear wheel speed	Slip control module
80	A	Signal engine speed (RPM)	Body electronics module
81		Not used	
82		Not used	
83	A	Signal fuel consumption	Body electronics module
84	M	CANCA-S	Shield
85	E/A	CANCA-L	Can Bus
86	E/A	CANCA-H	Can Bus
87	A	Diagnosis	Data link connector, RXD
88	E/A	Diagnosis	Data link connector, TXD

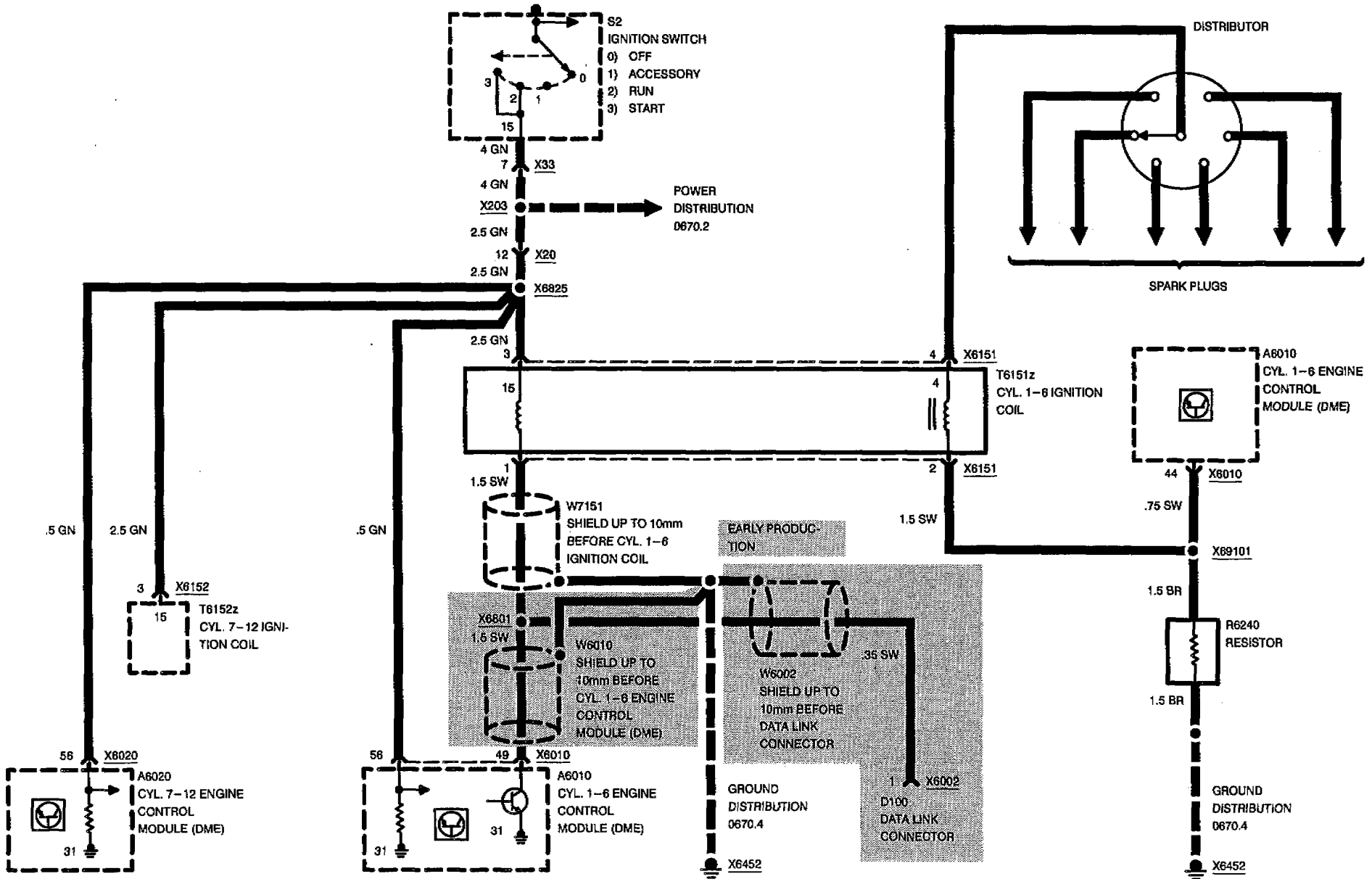
E = Input, A = Output, M = Ground



ENGINE CONTROL SYSTEM (DME M5.2, 12-CYLINDER M73)

ENGINE CONTROL MODULES (DME)

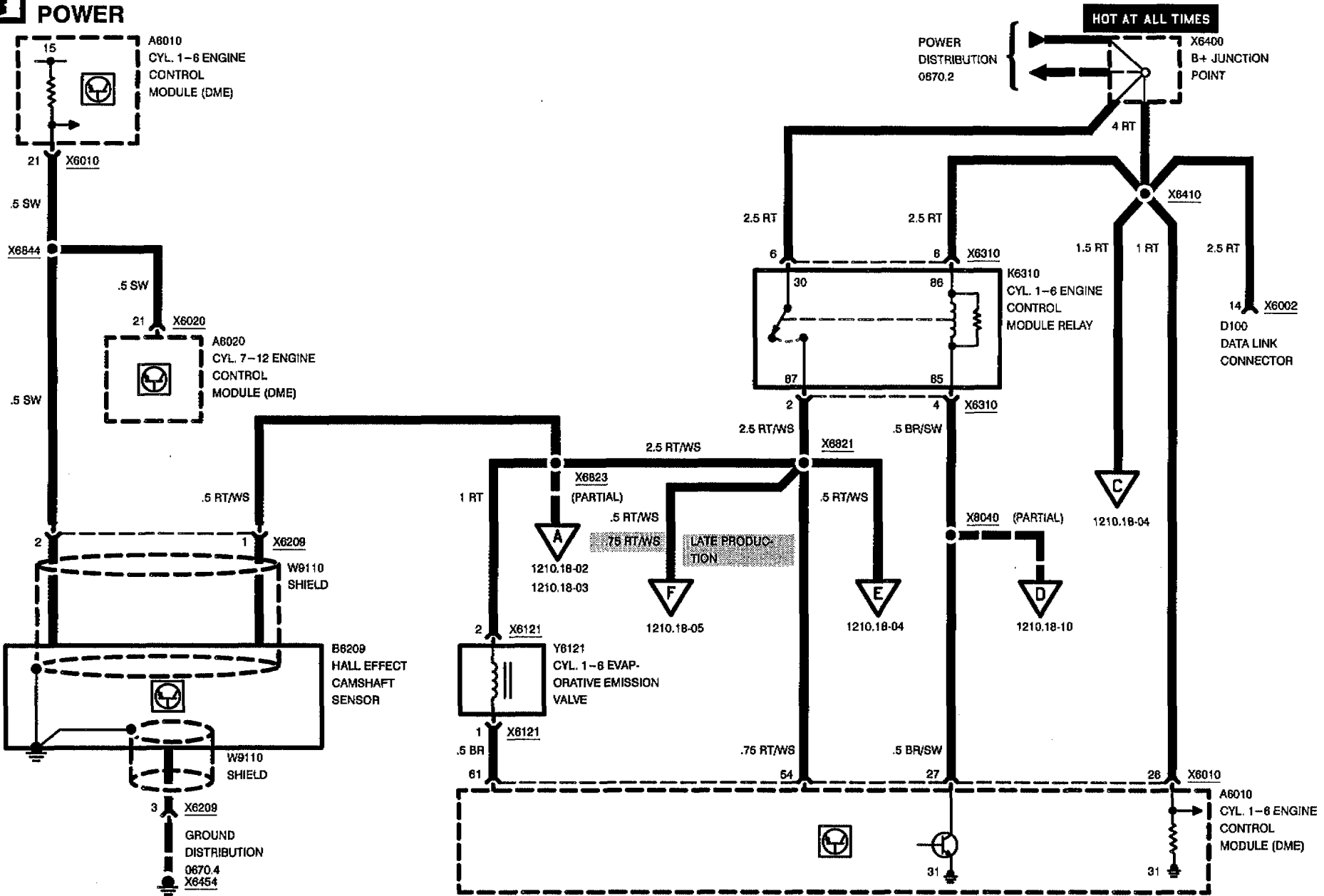
HOT AT ALL TIMES





ENGINE CONTROL SYSTEM (DME M5.2, 12-CYLINDER M73)

POWER



02/97

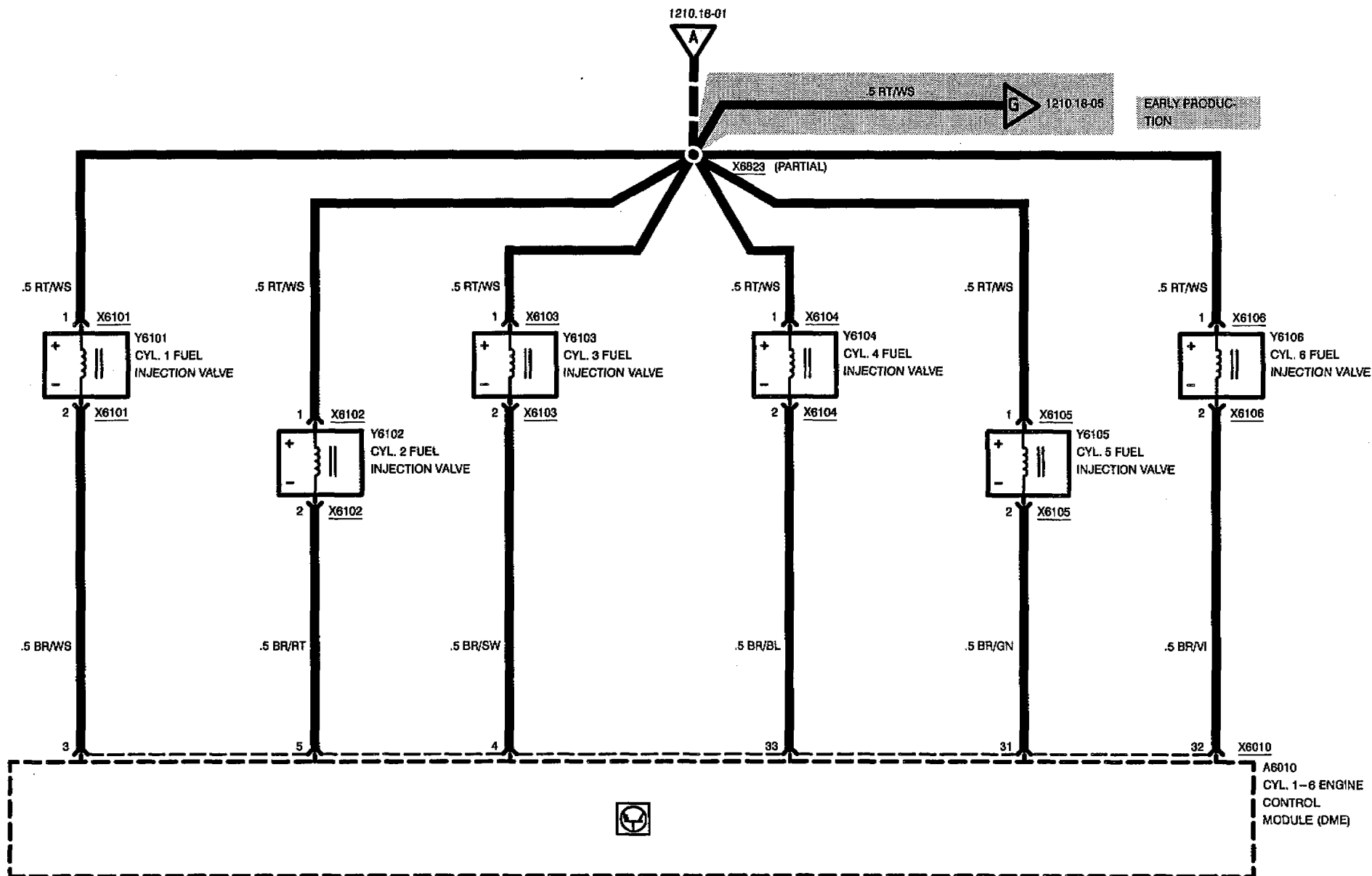
1210.18-01

95/96



ENGINE CONTROL SYSTEM (DME M5.2, 12-CYLINDER M73)

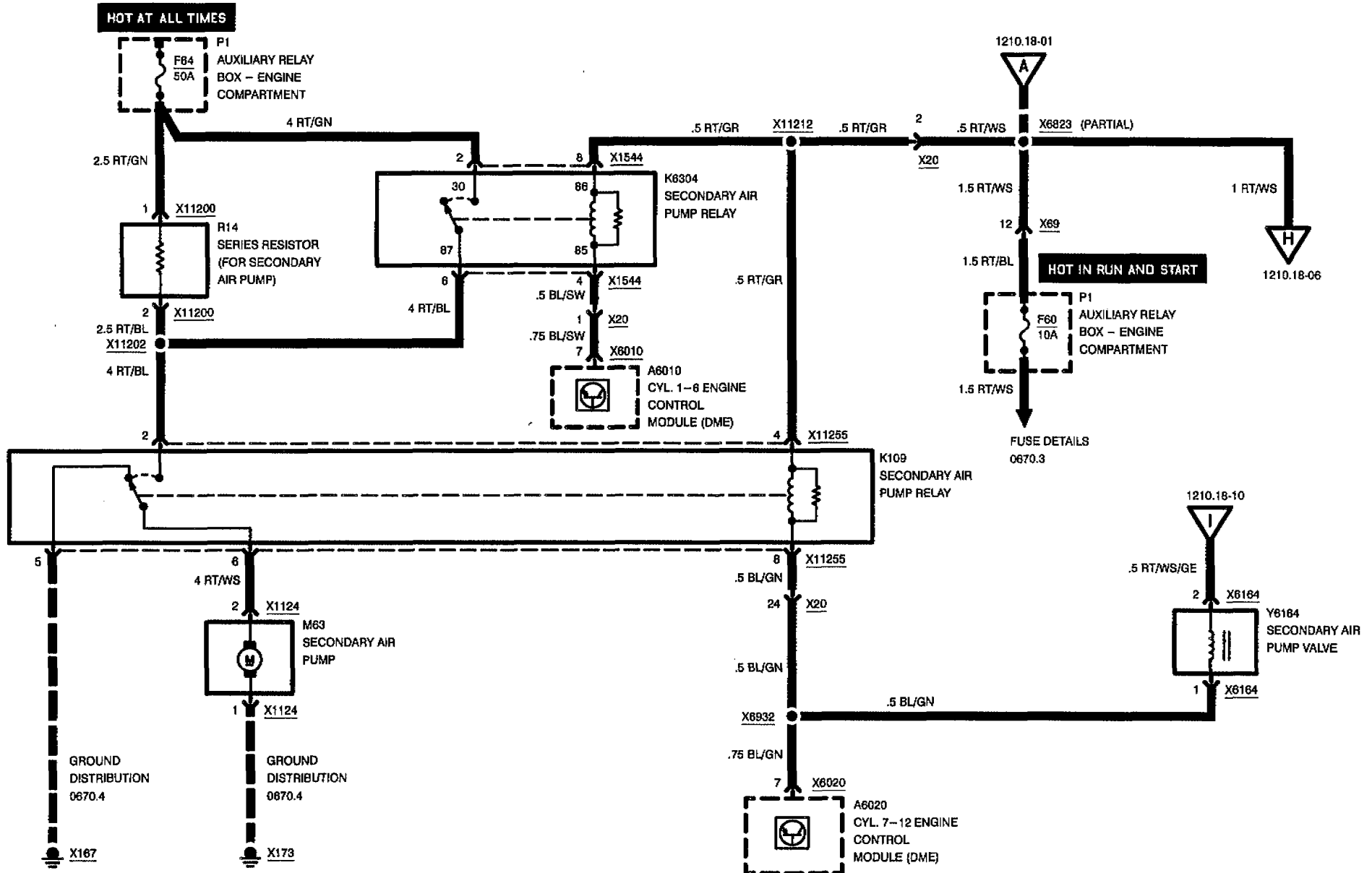
ENGINE CONTROL MODULES (DME)





ENGINE CONTROL SYSTEM (DME M5.2, 12-CYLINDER M73)

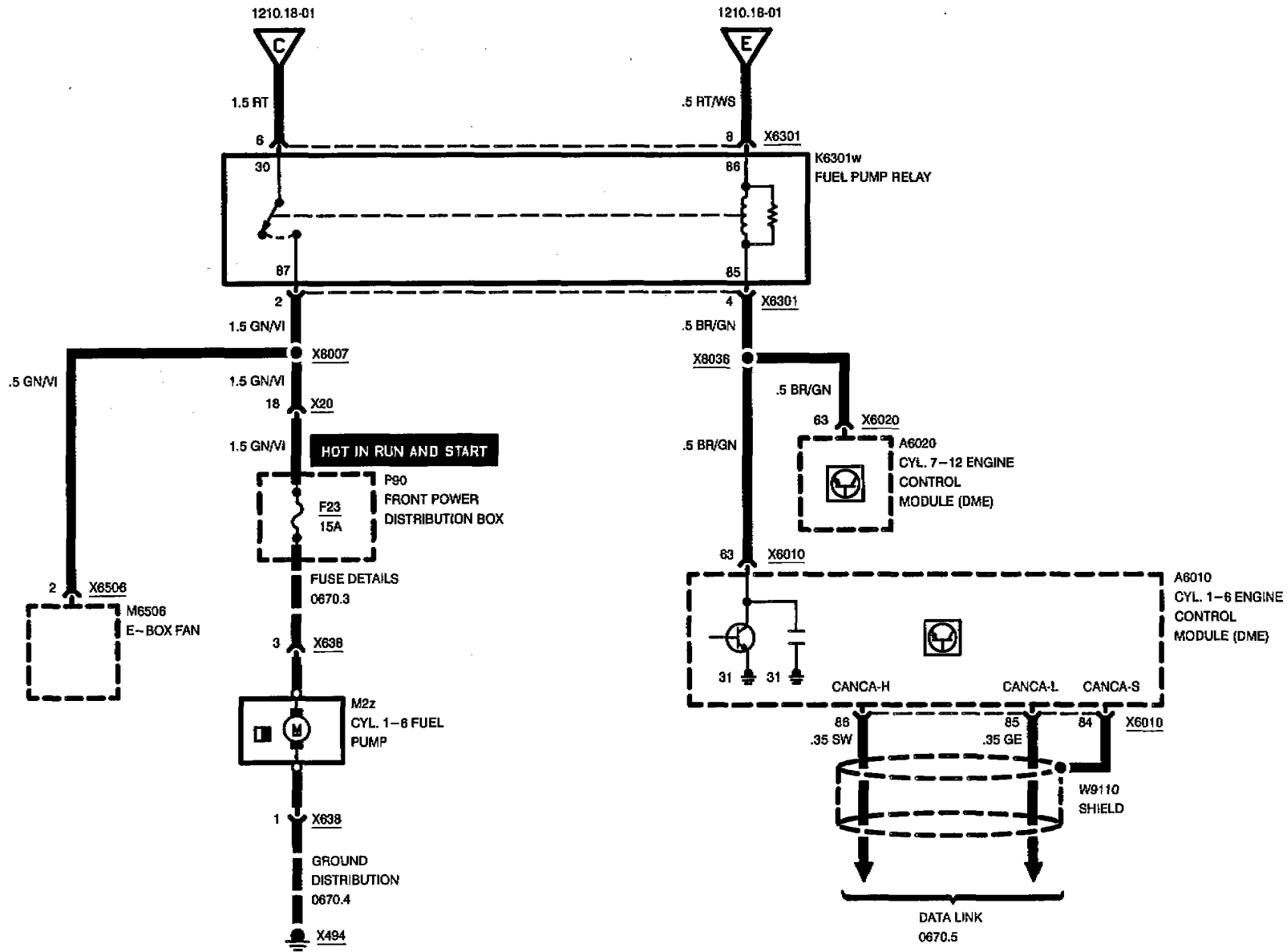
SECONDARY AIR PUMP





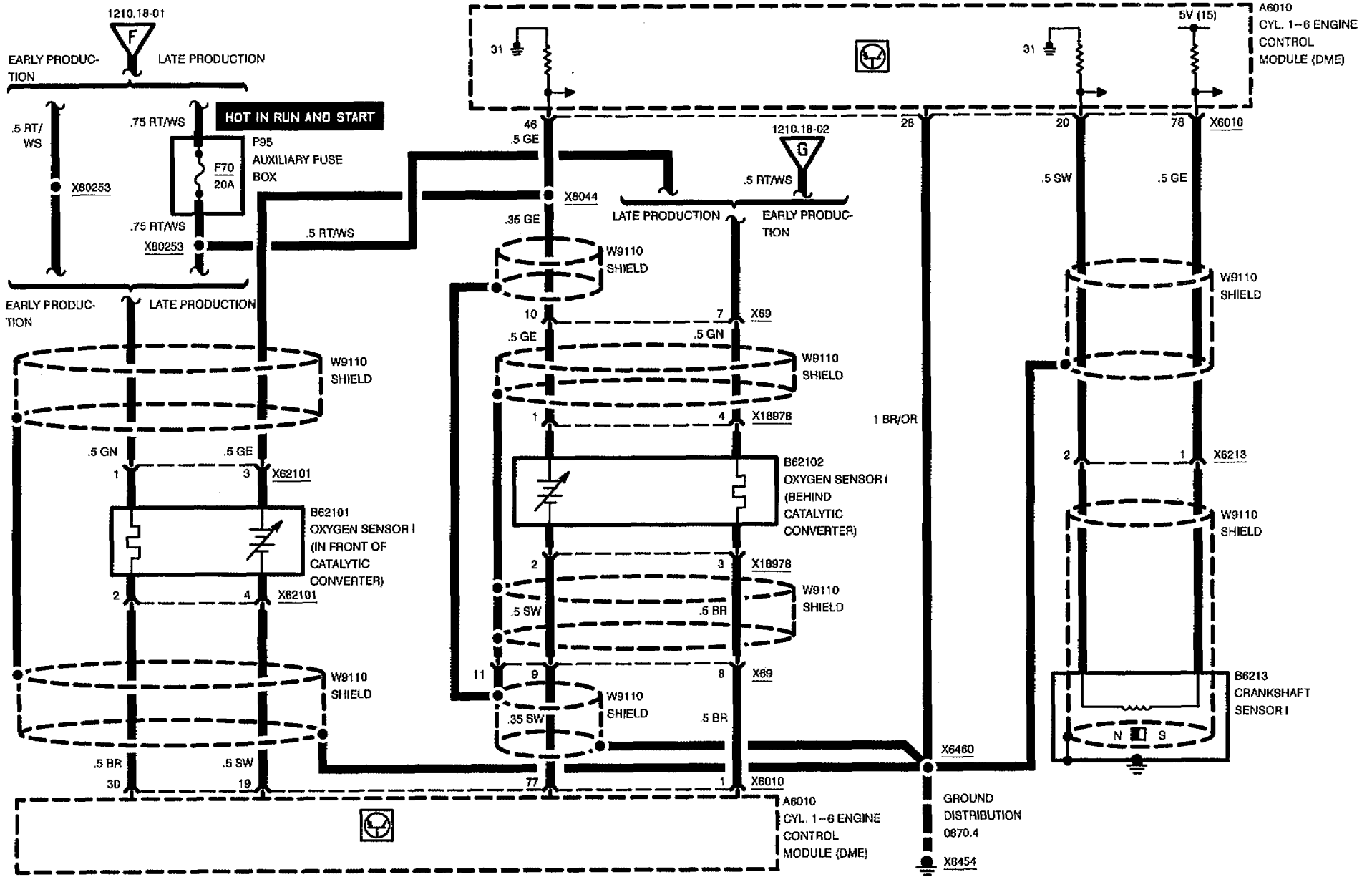
ENGINE CONTROL SYSTEM (DME M5.2, 12-CYLINDER M73)

FUEL PUMP





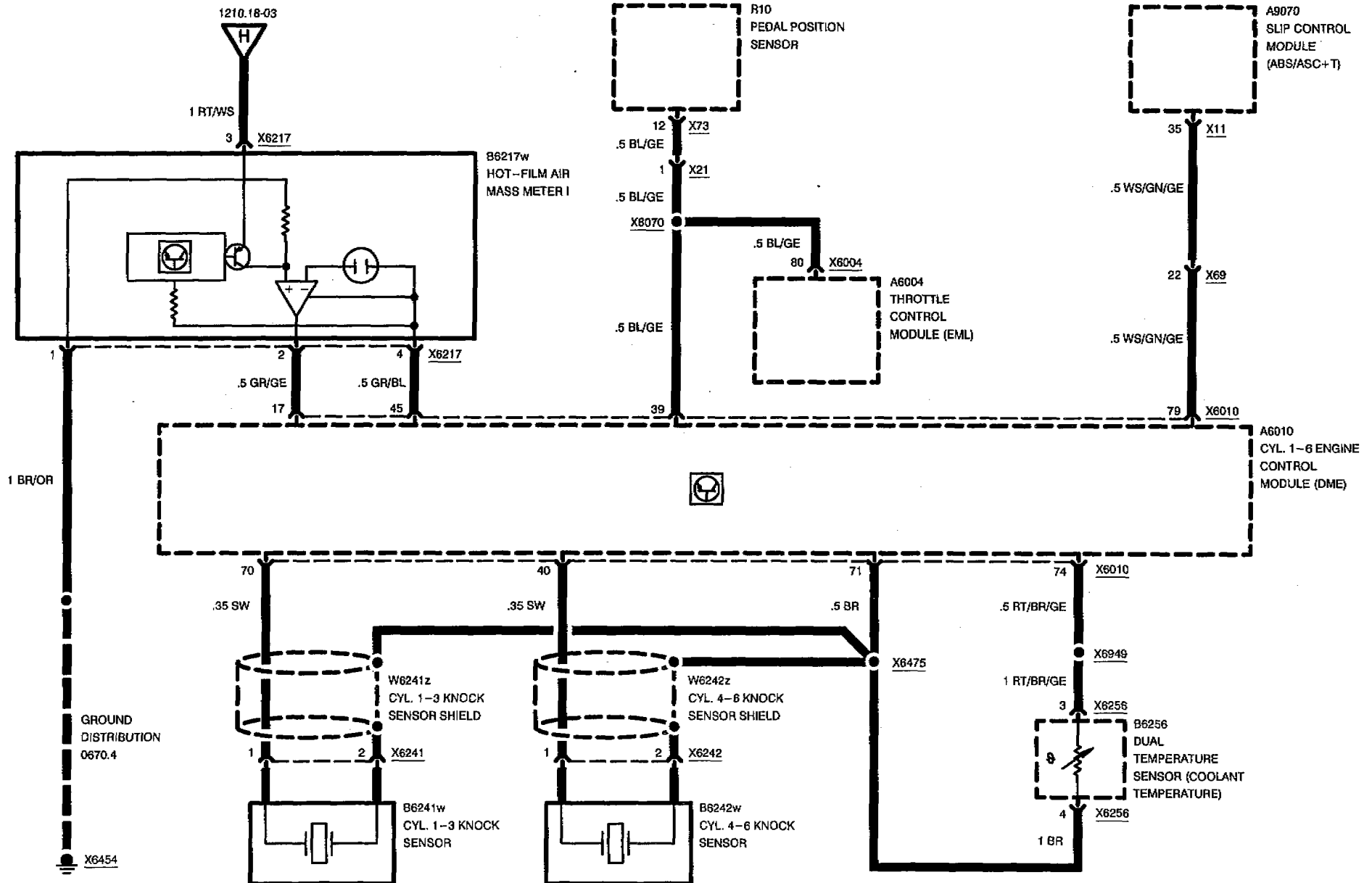
ENGINE CONTROL SYSTEM (DME M5.2, 12-CYLINDER M73)





ENGINE CONTROL SYSTEM (DME M5.2, 12-CYLINDER M73)

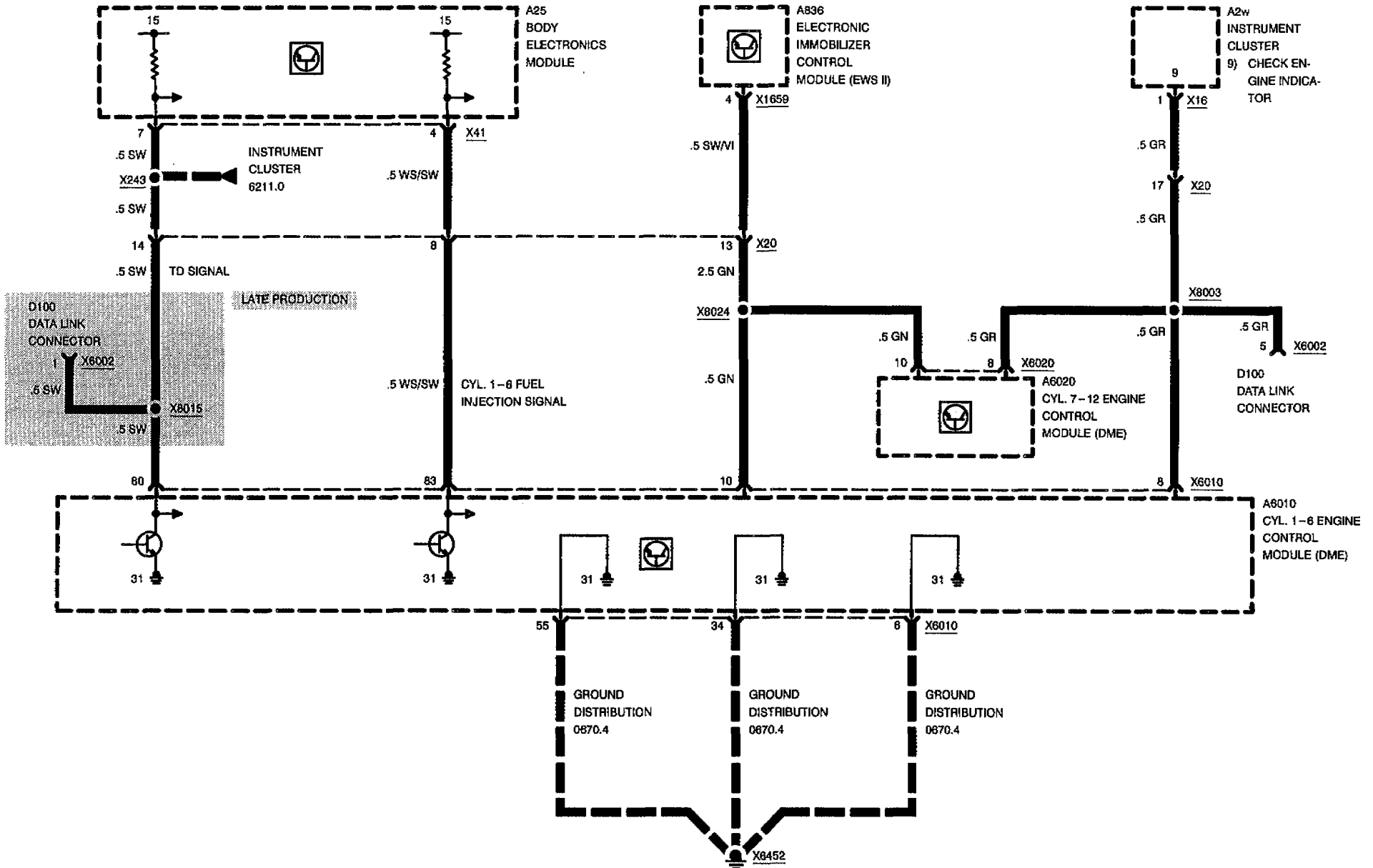
ENGINE CONTROL MODULES (DME)





ENGINE CONTROL SYSTEM (DME M5.2, 12-CYLINDER M73)

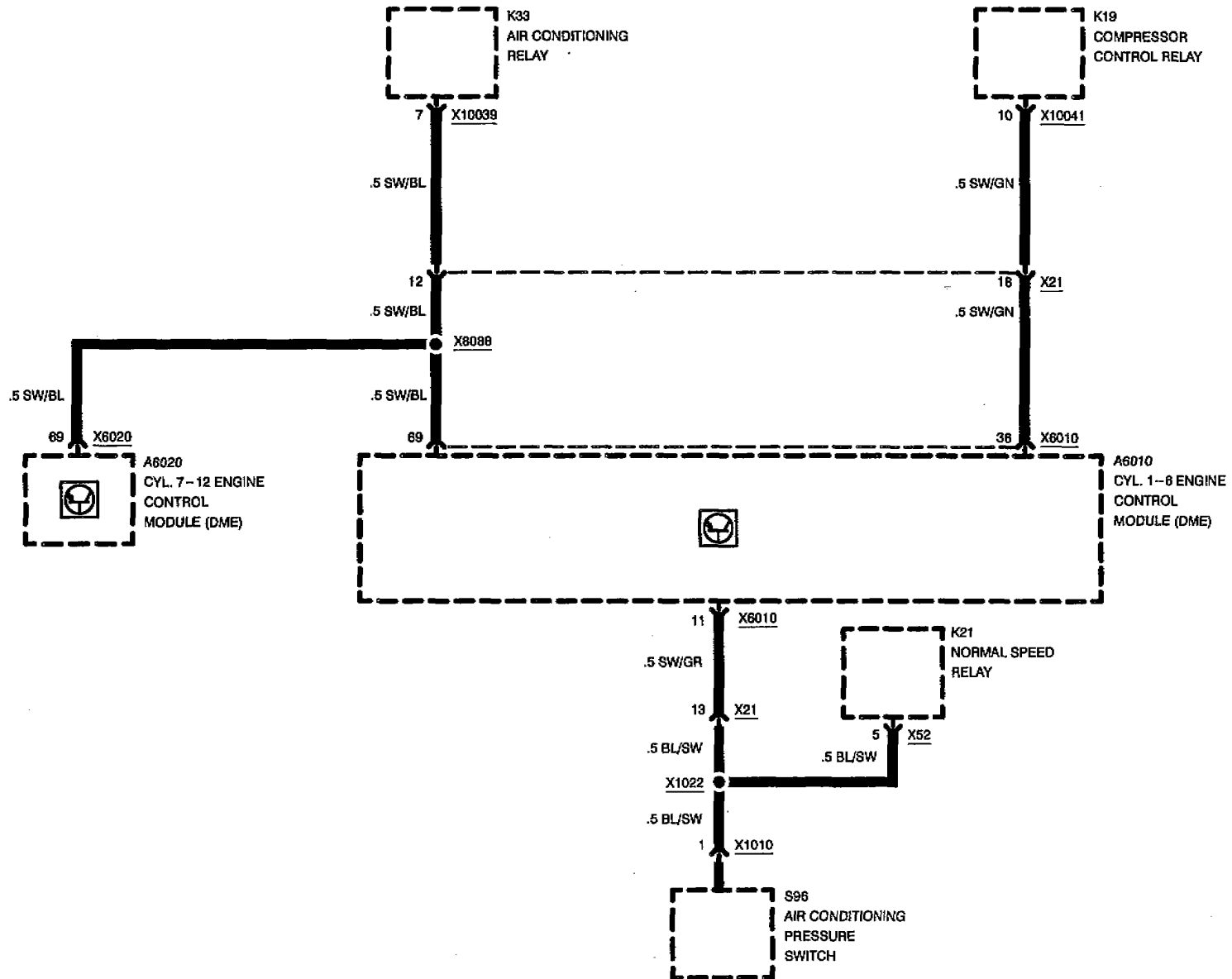
ENGINE CONTROL MODULES (DME)

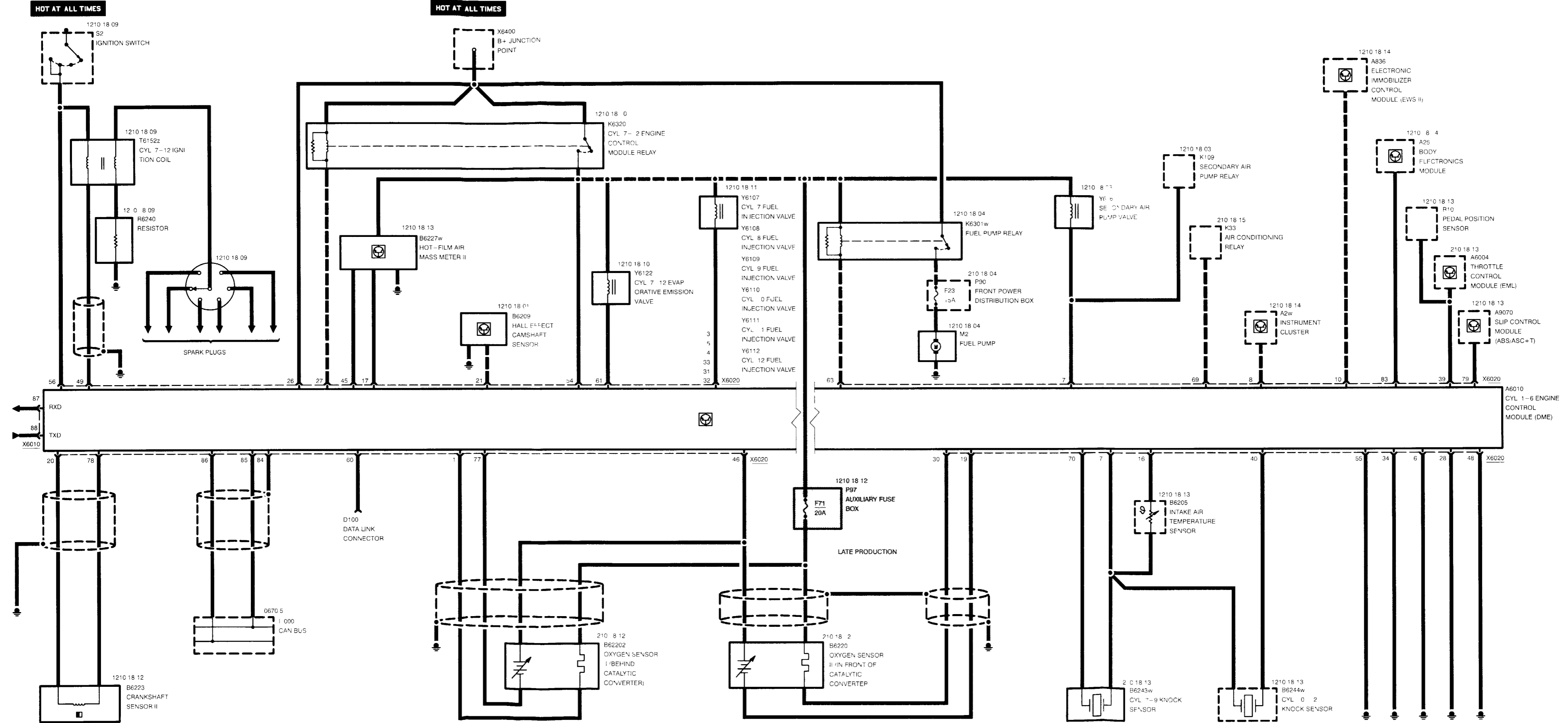


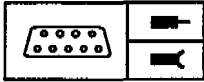


ENGINE CONTROL SYSTEM (DME M5.2, 12-CYLINDER M73)

ENGINE CONTROL MODULES (DME)





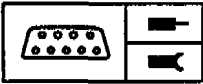


Pin Assignments

X6020

Pin	Type	Description/Function	Connection
1	M	Ground, cyl. 7-12 oxygen sensor heating	Oxygen sensor II (behind catalytic converter)
2		Not used	
3	A	Signal fuel injection	Cyl. 7 fuel injection valve
4	A	Signal fuel injection	Cyl. 9 fuel injection valve
5	A	Signal fuel injection	Cyl. 8 fuel injection valve
6	M	Ground	Ground point
7	A	Activate relay	Secondary air pump relay, K109
8	A	"CHECK ENGINE" lamp	Instrument cluster
9		Not used	
10	E	Drive-away protection	Electronic immobilizer control module (EWS II)
11		Not used	
12		Not used	
13		Not used	
14		Not used	
15		Not used	
16	E	Air temperature	Intake air temperature sensor
17	E	Signal air mass meter	Hot film air mass meter II
18		Not used	
19	E	Signal cyl. 7-12 oxygen sensor	Oxygen sensor II (in front of catalytic converter)
20	M	Sensor ground	Crankshaft sensor II
21	E	Signal camshaft sensor	Hall effect camshaft sensor
22		Not used	
23		Not used	
24		Not used	
25		Not used	
26	E	Plus supply terminal 30	B+ junction point
27	A	Activate relay	Cyl. 7-12 engine control module relay
28	M	Ground	Ground point

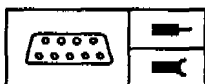
E = Input, A = Output, M = Ground



Pin Assignments

Pin	Type	Description/Function	Connection
29		Not used	
30	M	Ground, cyl. 7-12 oxygen sensor heating	Oxygen sensor II (in front of catalytic converter)
31	A	Signal fuel injection	Cyl. 11 fuel injection valve
32	A	Signal fuel injection	Cyl. 12 fuel injection valve
33	A	Signal fuel injection	Cyl. 10 fuel injection valve
34	M	Ground	Ground point
35		Not used	
36		Not used	
37		Not used	
38		Not used	
39	E	Signal pedal position	Pedal position sensor
40	E	Signal knock sensor	Cyl. 10-12 knock sensor
41		Not used	
42		Not used	
43		Not used	
44	M	Injection signal	Resistor, R6240
45	M	Ground, air mass meter	Hot film air mass meter II
46	M	Ground, oxygen sensors	Cyl. 7-12 oxygen sensors
47		Not used	
48	M	Ground	Ground point
49	A	Ignition terminal 1	Cyl. 7-12 ignition coil
50		Not used	
51		Not used	
52		Not used	
53		Not used	
54	E	Signal engine control module relay	Cyl. 7-12 engine control module relay
55	M	Ground	Ground point
56	E	Plus supply terminal 15	Ignition switch
57		Not used	
58		Not used	
59		Not used	

E = Input, A = Output, M = Ground



Pin Assignments

Pin	Type	Description/Function	Connection
60	E	Programming voltage	Data link connector
61	A	Signal evaporative emission	Cyl. 7-12 evaporative emission valve
62		Not used	
63	A	Signal fuel pump	Fuel pump relay
64		Not used	
65		Not used	
66		Not used	
67		Not used	
68		Not used	
69	E	Signal AC on/off	Air conditioning relay
70	E	Signal knock sensor	Cyl. 7-9 knock sensor
71	M	Ground sensors	Knock/temperature sensors
72		Not used	
73		Not used	
74		Not used	
75		Not used	
76		Not used	
77	E	Signal cyl. 7-12 oxygen sensor	Oxygen sensor II (behind catalytic converter)
78	E	Signal cyl. 7-12 crankshaft sensor	Crankshaft sensor II
79	E	Signal right rear wheel speed	Slip control module
80		Not used	
81		Not used	
82		Not used	
83	A	Signal fuel consumption	Body electronics module
84	M	CANCA-S	Shield
85	E/A	CANCA-L	Can Bus
86	E/A	CANCA-H	Can Bus
87	A	Diagnosis	Data link connector, RXD
88	E/A	Diagnosis	Data link connector, TXD

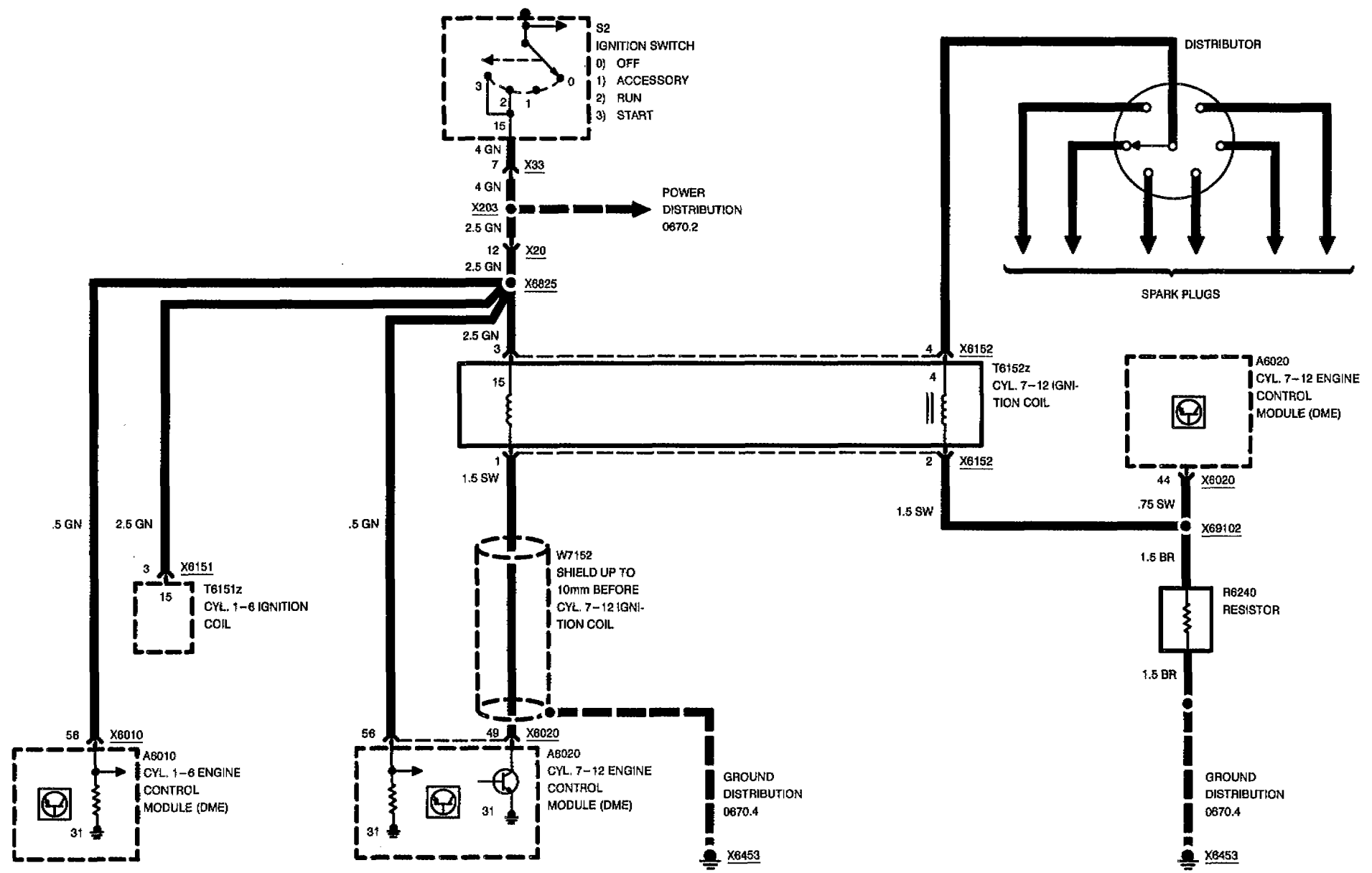
E = Input, A = Output, M = Ground





ENGINE CONTROL SYSTEM (DME M5.2, 12-CYLINDER M73)

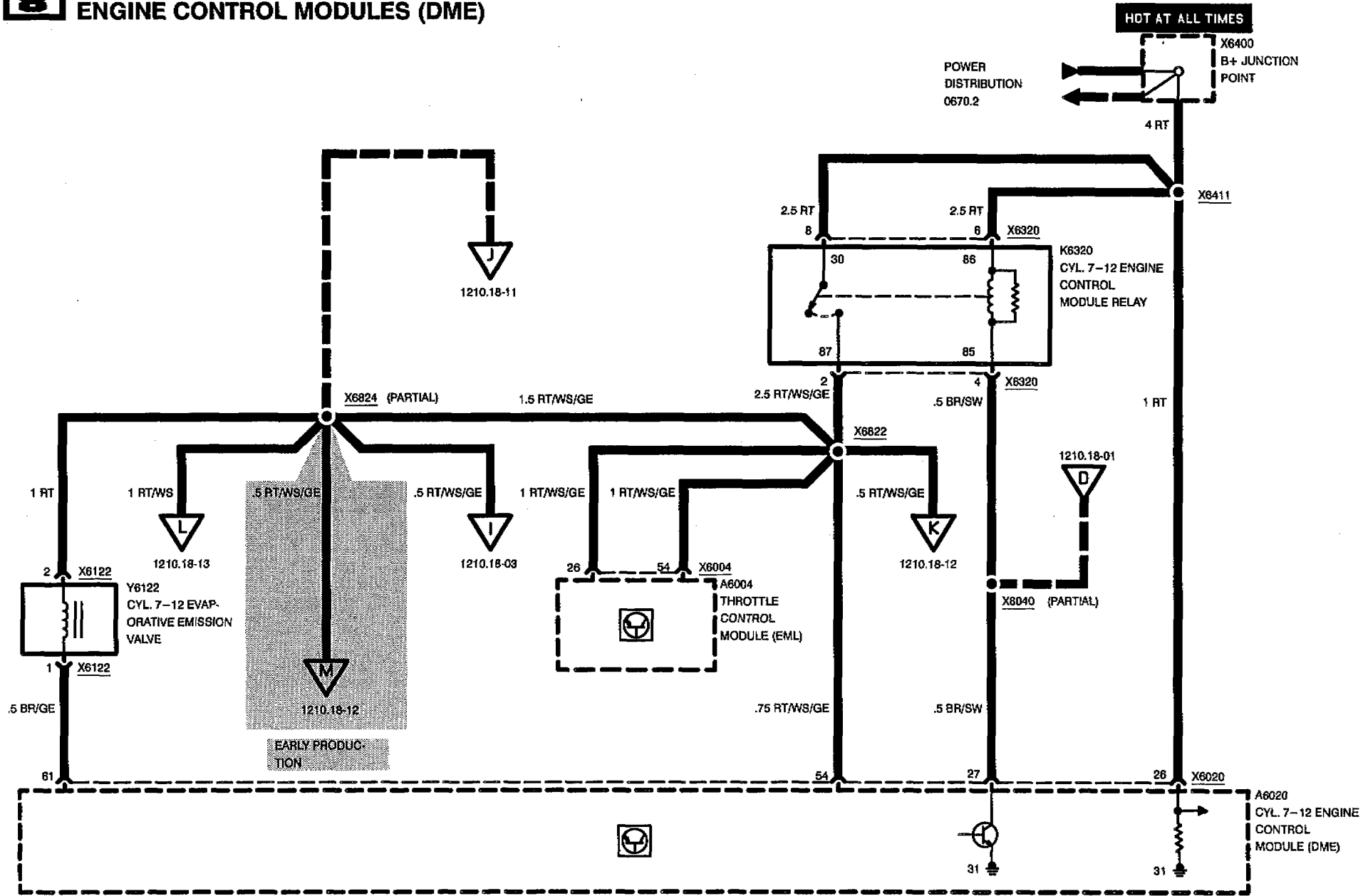
ENGINE CONTROL MODULES (DME) **HOT AT ALL TIMES**





ENGINE CONTROL SYSTEM (DME M5.2, 12-CYLINDER M73)

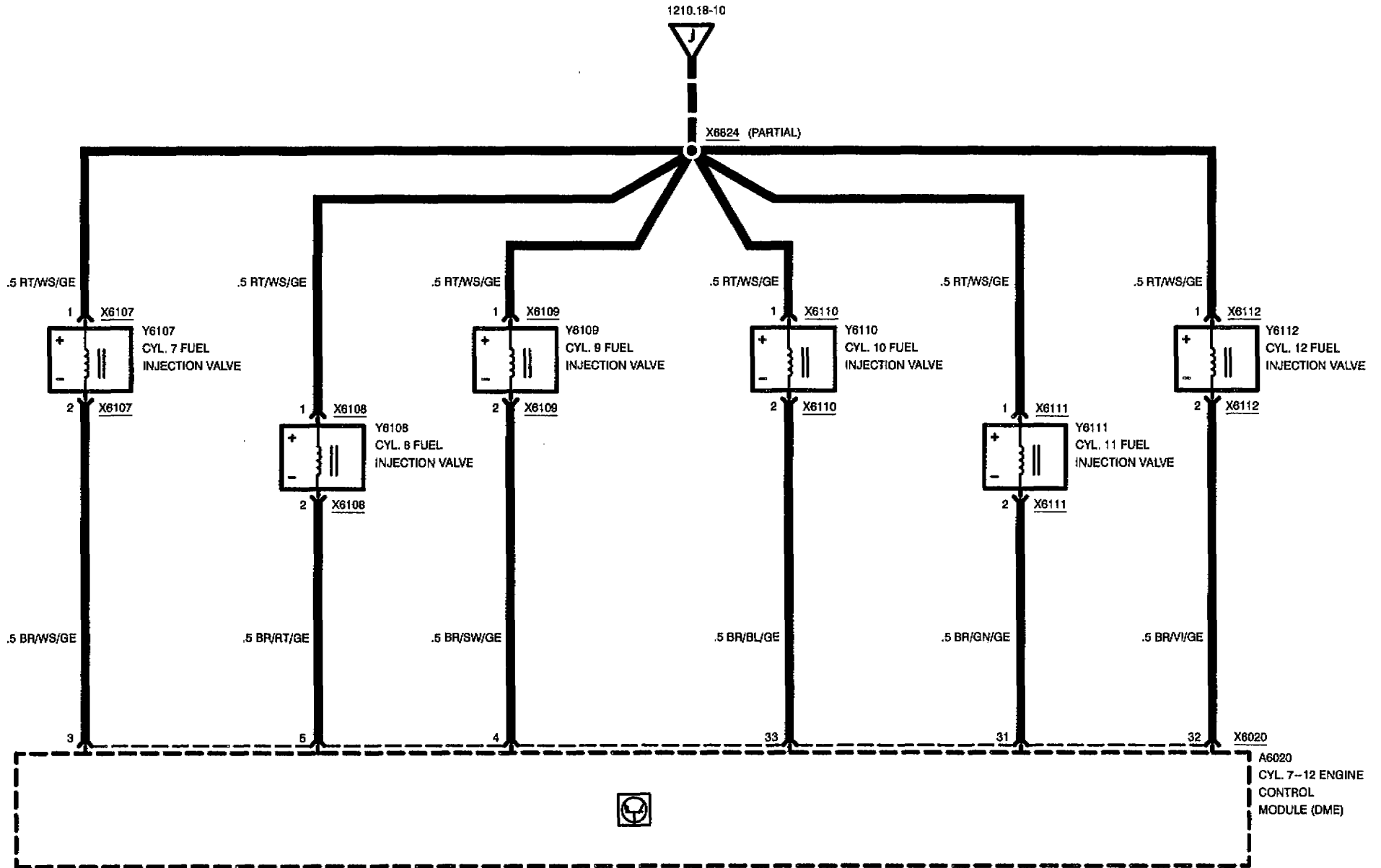
ENGINE CONTROL MODULES (DME)





ENGINE CONTROL SYSTEM (DME M5.2, 12-CYLINDER M73)

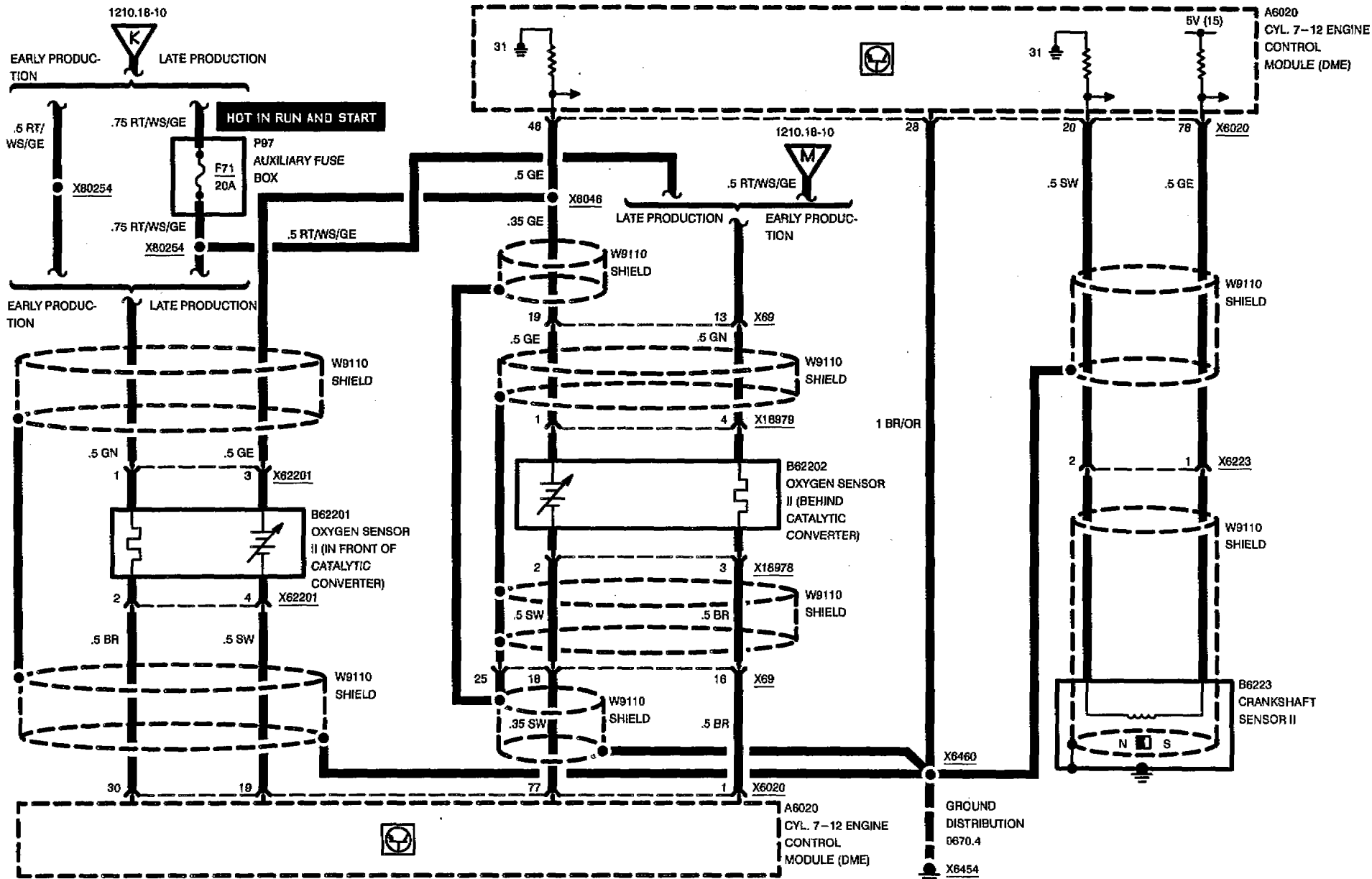
ENGINE CONTROL MODULES (DME)





ENGINE CONTROL SYSTEM (DME M5.2, 12-CYLINDER M73)

ENGINE CONTROL MODULES (DME)



02/97

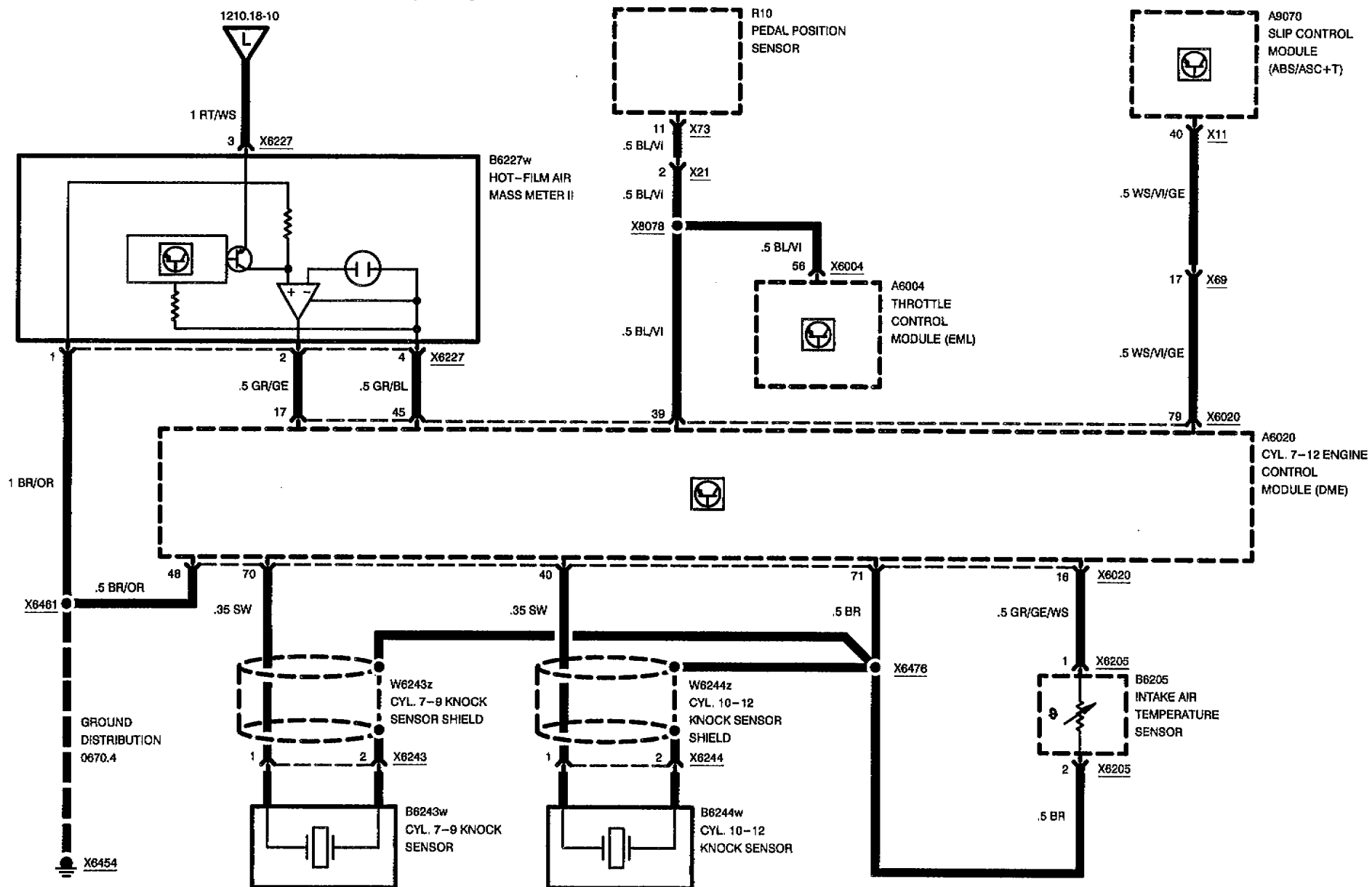
1210.18-12

95/96



ENGINE CONTROL SYSTEM (DME M5.2, 12-CYLINDER M73)

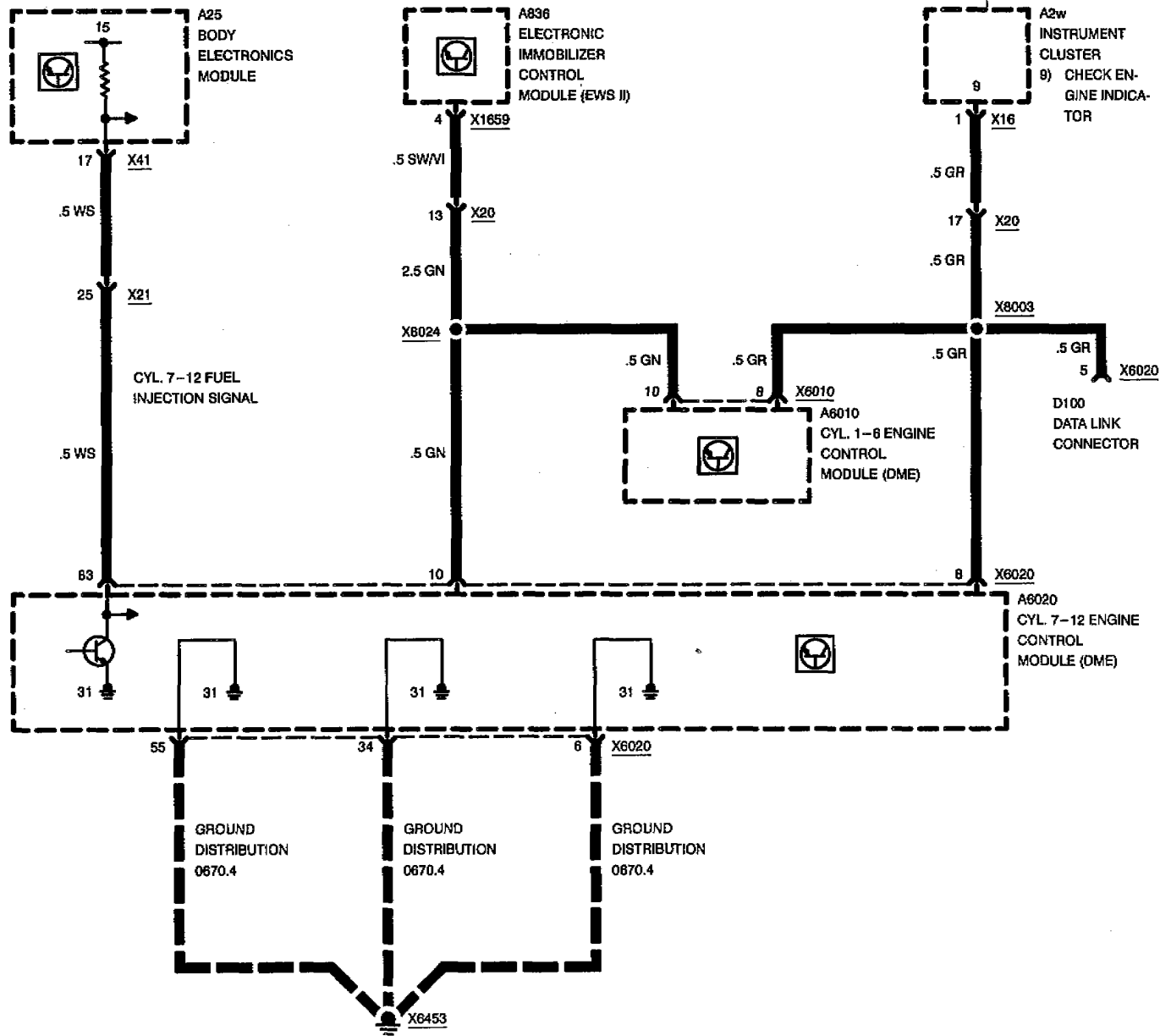
ENGINE CONTROL MODULES (DME)





ENGINE CONTROL SYSTEM (DME M5.2, 12-CYLINDER M73)

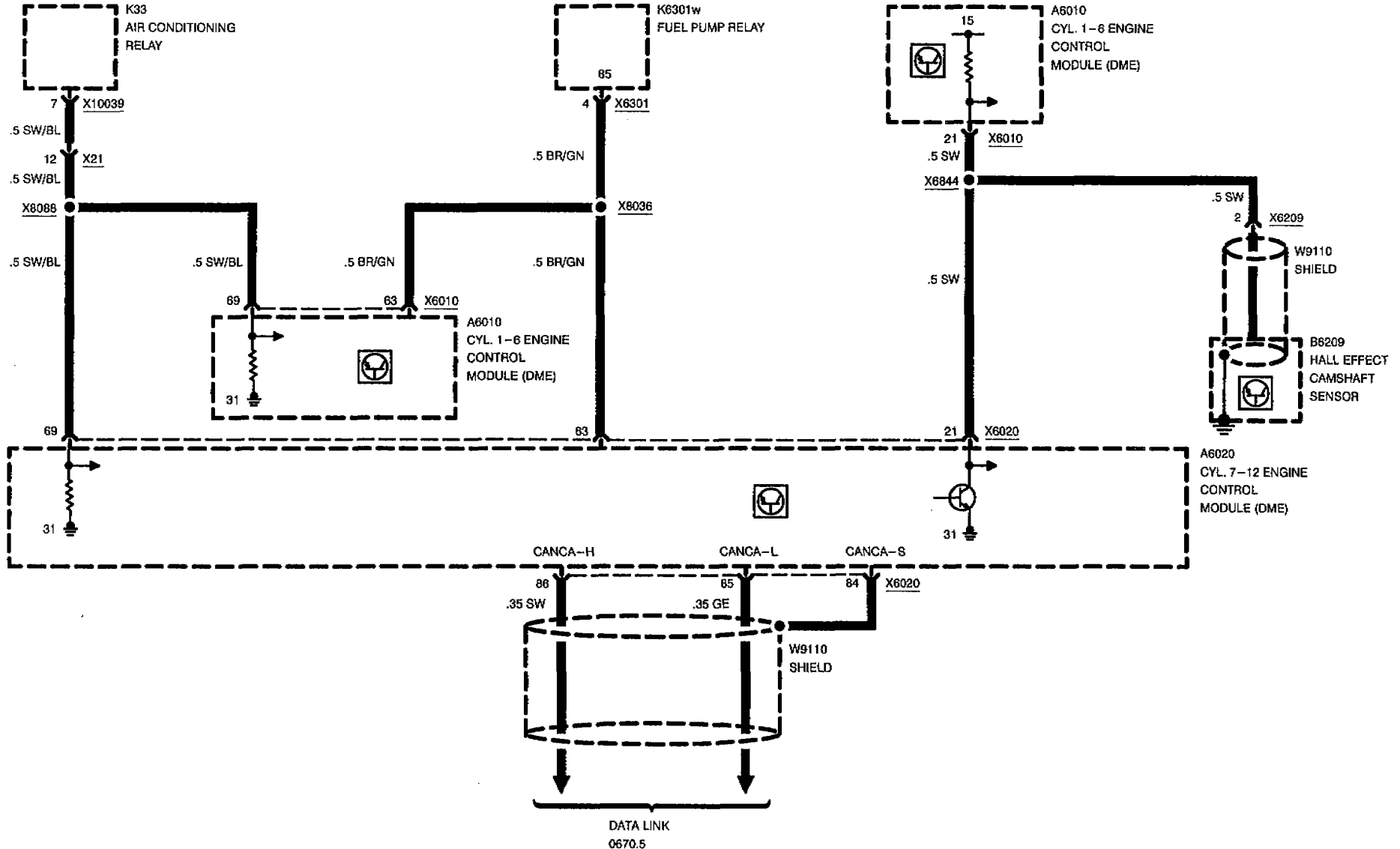
ENGINE CONTROL MODULES (DME)





ENGINE CONTROL SYSTEM (DME M5.2, 12-CYLINDER M73)

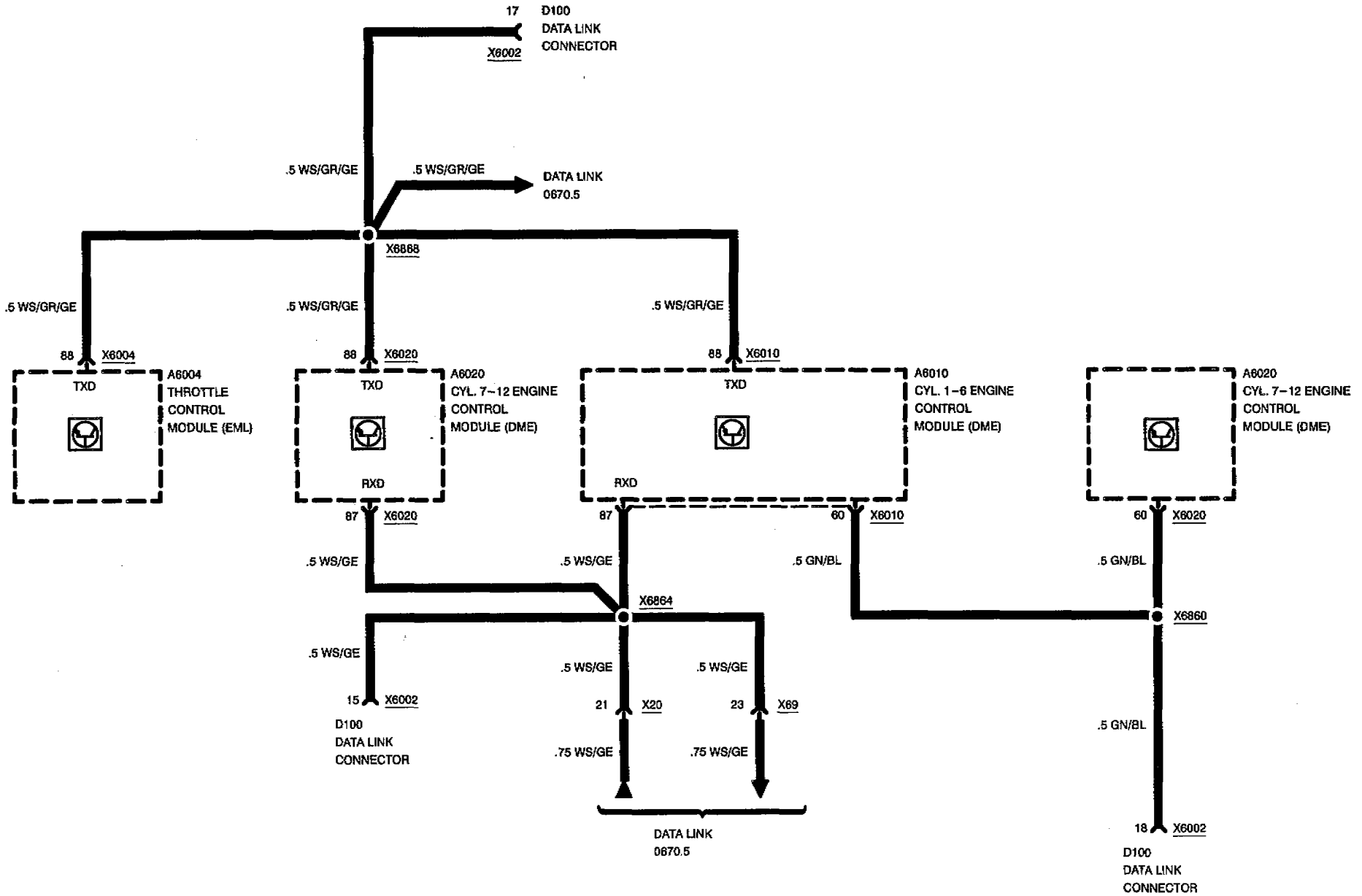
ENGINE CONTROL MODULES (DME)

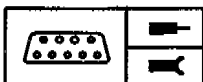




ENGINE CONTROL SYSTEM (DME M5.2, 12-CYLINDER M73)

DME DIAGNOSIS



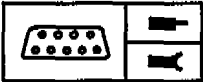


Pin Assignments

X6000

Pin	Type	Description/Function	Connection
1	M	Ground, oxygen sensor heating	Oxygen sensors behind catalytic converter
2	A	Air control valve closed	Idle speed control valve, Y6130
3	A	Cyl. 1 fuel injection valve	Cyl. 1 fuel injection valve, Y6101
4	A	Cyl. 4 fuel injection valve	Cyl. 4 fuel injection valve, Y6104
5	A	Cyl. 6 fuel injection valve	Cyl. 6 fuel injection valve, Y6106
6	M	Ground	Ground point, X6452
7	A	Cyl. 7 fuel injection valve	Cyl. 7 fuel injection valve, Y6107
8	A	"CHECK ENGINE"-lamp	Instrument cluster, A2
9		Not used	
10	E	Drive-away protection	Control module (EWS II), A836
11	E	Signal AC-compressor	Pressure switch, B8y
12		Not used	
13	E	Signal cyl. 5-6 knock sensor	Cyl. 5-6 knock sensor, B6243
14		Not used	
15		Not used	
16	E	Signal intake air temperature	Intake air temperature sensor, B6215A
17	E	Signal air mass meter	Hot film air mass meter, B6217
18	E	Signal cyl. 5-8 oxygen sensor	Oxygen sensor II in front of catalytic converter
19	E	Signal cyl. 1-4 oxygen sensor	Oxygen sensor I in front of catalytic converter
20	M	Sensorground	Crankshaft position/RPM sensor
21	E	Signal camshaft sensor	Hall effect camshaft sensor I
22	A	Cyl. 6 ignition signal	Cyl. 6 ignition coil, T6156
23	A	Cyl. 3 ignition signal	Cyl. 3 ignition coil, T6153
24	A	Cyl. 7 ignition signal	Cyl. 7 ignition coil, T6157
25	A	Cyl. 2 ignition signal	Cyl. 2 ignition coil, T6152
26	E	Continuous plus supply terminal 30	B+ junction point
27	A	Signal to engine control module relay	Engine control module relay, K6300
28	M	Ground	Ground point, X6452
29	A	Air control valve open	Idle speed control valve, Y6130

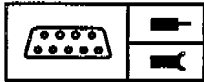
E = Input, A = Output, M = Ground



Pin Assignments

Pin	Type	Description/Function	Connection
30	M	Ground, oxygen sensor heating	Oxygen sensors in front of catalytic converter
31	A	Cyl. 5 fuel injection valve	Cyl. 5 fuel injection valve, Y6105
32	A	Cyl. 8 fuel injection valve	Cyl. 8 fuel injection valve, Y6108
33	A	Cyl. 3 fuel injection valve	Cyl. 3 fuel injection valve, Y6103
34	M	Ground	Ground point, X6452
35	A	Cyl. 2 fuel injection valve	Cyl. 2 fuel injection valve, Y6102
36	A	Signal climate compressor	Compressor control relay, K19
37		Not used	
38		Not used	
39		Not used	
40	E	Signal cyl. 3-4 knock sensor	Cyl. 3-4 knock sensor, B6242
41	E	Signal cyl. 7-8 knock sensor	Cyl. 7-8 knock sensor, B6244
42	E	Signal fuel reserve	Instrument cluster, A2w
43		Not used	
44	E	Signal throttle position	Throttle position sensor, R6252
45	M	Ground, air mass meter	Hot film air mass meter, B6217
46	M	Ground, oxygen sensors	Oxygen sensors
47		Not used	
48		Not used	
49	A	Cyl. 1 ignition signal	Cyl. 1 ignition coil, T6151
50	A	Cyl. 5 ignition signal	Cyl. 5 ignition coil, T6155
51	A	Cyl. 4 ignition signal	Cyl. 4 ignition coil, T6154
52	A	Cyl. 8 ignition signal	Cyl. 8 ignition coil, T6158
53	A	Plus supply (+5V)	Throttle position sensor, R6252
54	E	Signal engine control module relay	Engine control module relay, K6300
55	M	Ground	Ground point, X6452
56	E	Plus supply terminal 15	Ignition switch, S2
57		Not used	
58		Not used	
59		Not used	
60	E	Programming voltage	Data link connector, D100

E = Input, A = Output, M = Ground



Pin Assignments

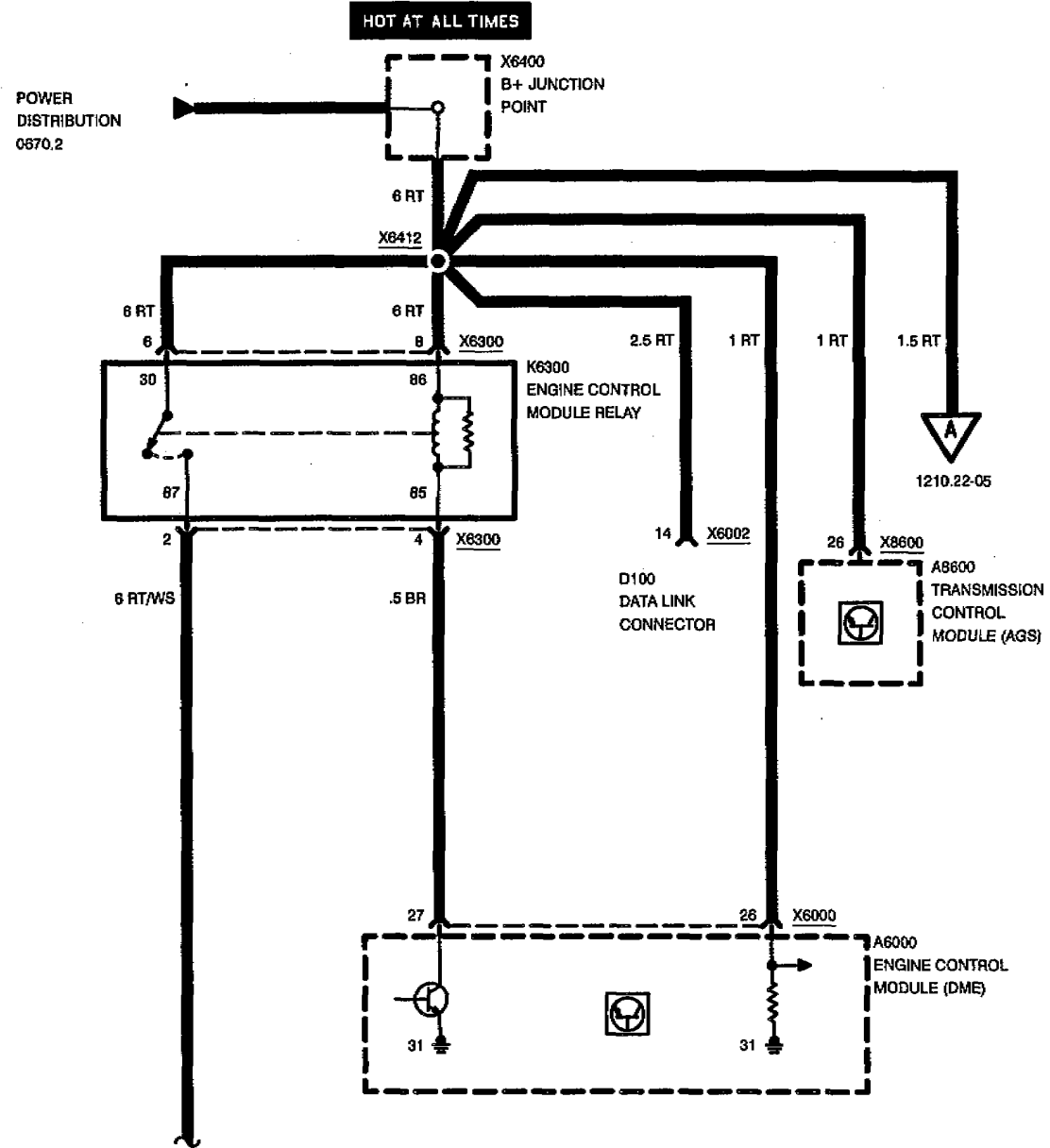
Pin	Type	Description/Function	Connection
61	A	Signal evaporative emission	Evaporative emission valve, Y6120
62		Not used	
63	A	Signal fuel pump	Fuel pump relay, K6301w
64		Not used	
65		Not used	
66		Not used	
67		Not used	
68		Not used	
69	E	Signal AC on/off	Air conditioning relay
70	E	Signal cyl. 1-2 knock sensor	Cyl. 1-2 knock sensor, B6241
71	M	Ground, sensors	Knock/temperature/throttle position sensors
72		Not used	
73		Not used	
74	E	Engine temperature	Dual temperature sensor
75		Not used	
76	E	Signal cyl. 5-8 oxygen sensor	Oxygen sensor II behind catalytic converter
77	E	Signal cyl. 1-4 oxygen sensor	Oxygen sensor I behind catalytic converter
78	E	Signal crankshaft position/RPM	Crankshaft position/RPM sensor
79	E	Signal right rear wheel speed	Slip control module
80	A	Signal engine speed (RPM)	Instrument cluster, A2w
81		Not used	
82		Not used	
83	A	Signal fuel consumption	Body electronics module
84		Not used	
85	E/A	CAN-L	Transmission control module/Slip control module
86	E/A	CAN-H	Transmission control module/Slip control module
87	A	Diagnosis	Data link connector, RxD
88	E/A	Diagnosis	Data link connector, TxD

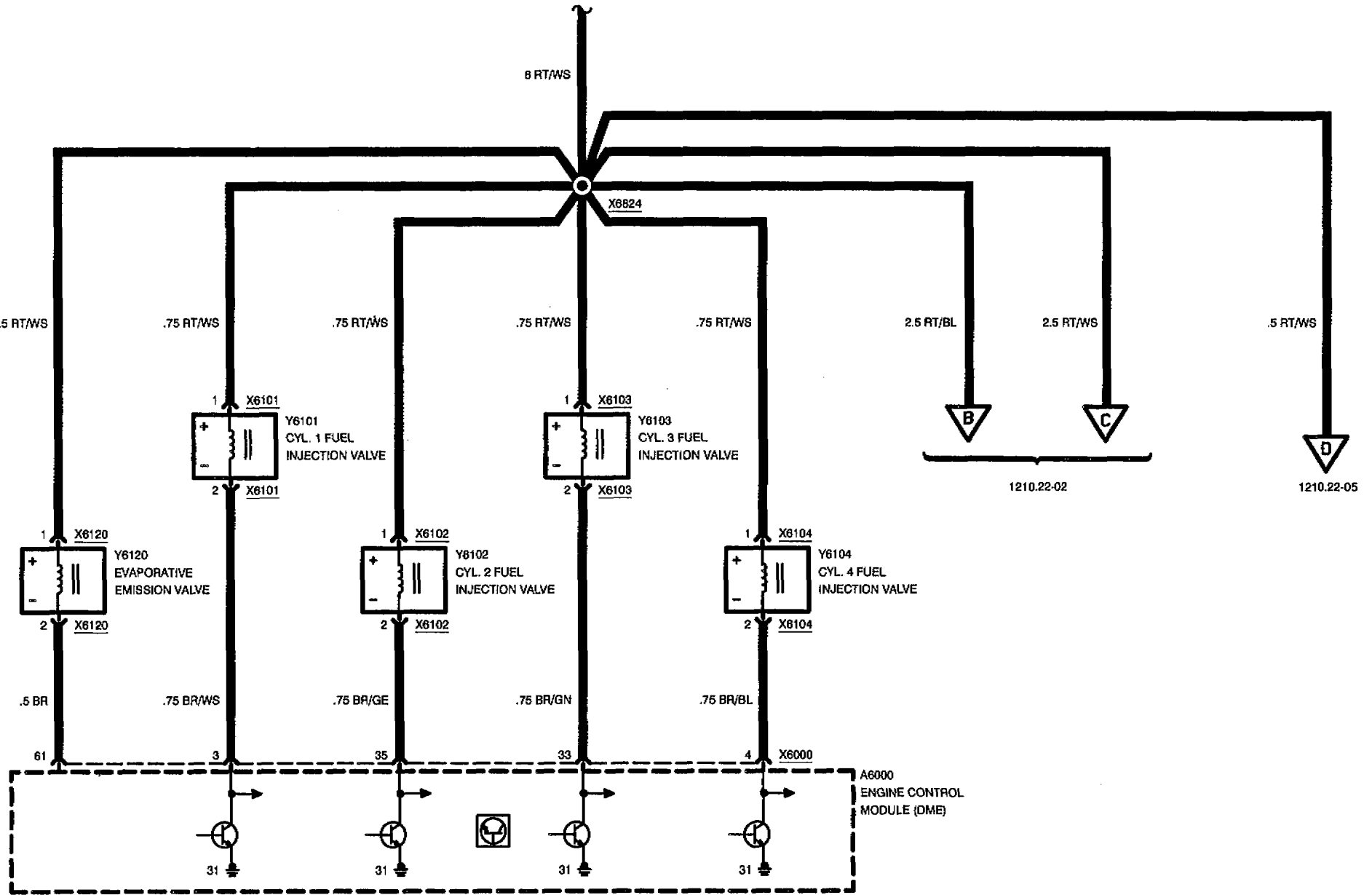
E = Input, A = Output, M = Ground



ENGINE CONTROL SYSTEM (DME M5.2, 8-CYLINDER M62)

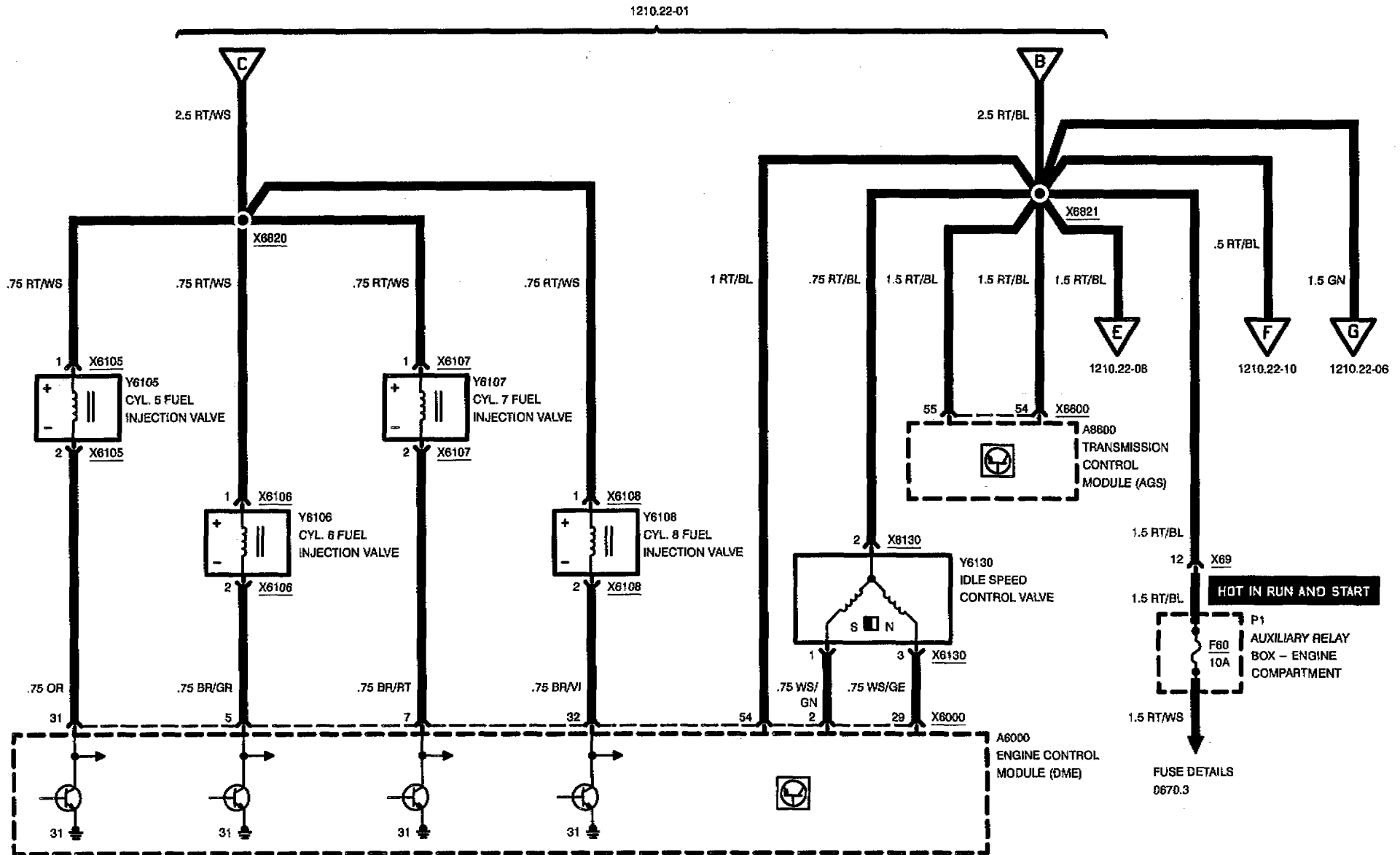
SENSORS







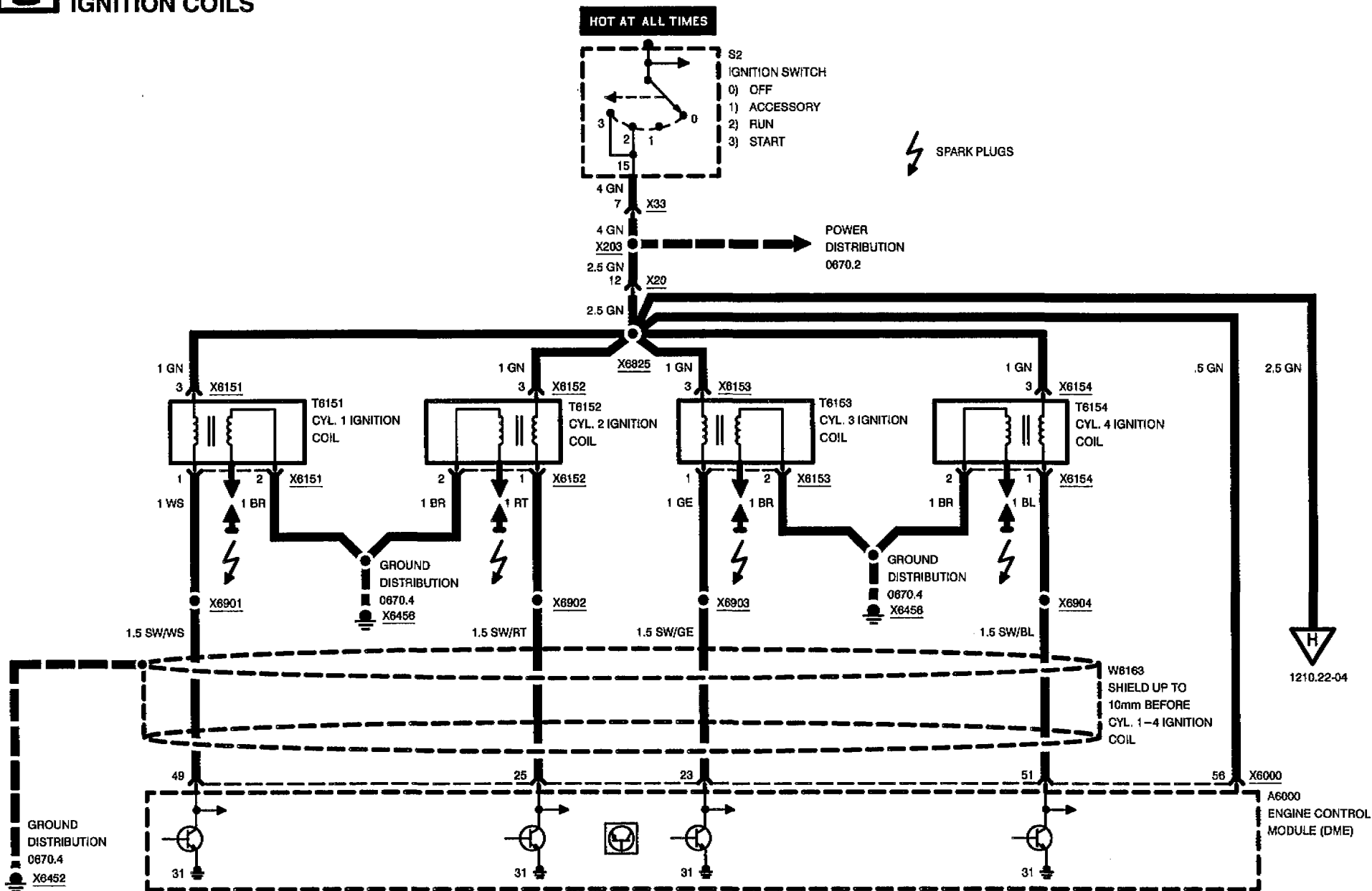
ENGINE CONTROL SYSTEM (DME M5.2, 8-CYLINDER M62)





ENGINE CONTROL SYSTEM (DME M5.2, 8-CYLINDER M62)

IGNITION COILS



02/97

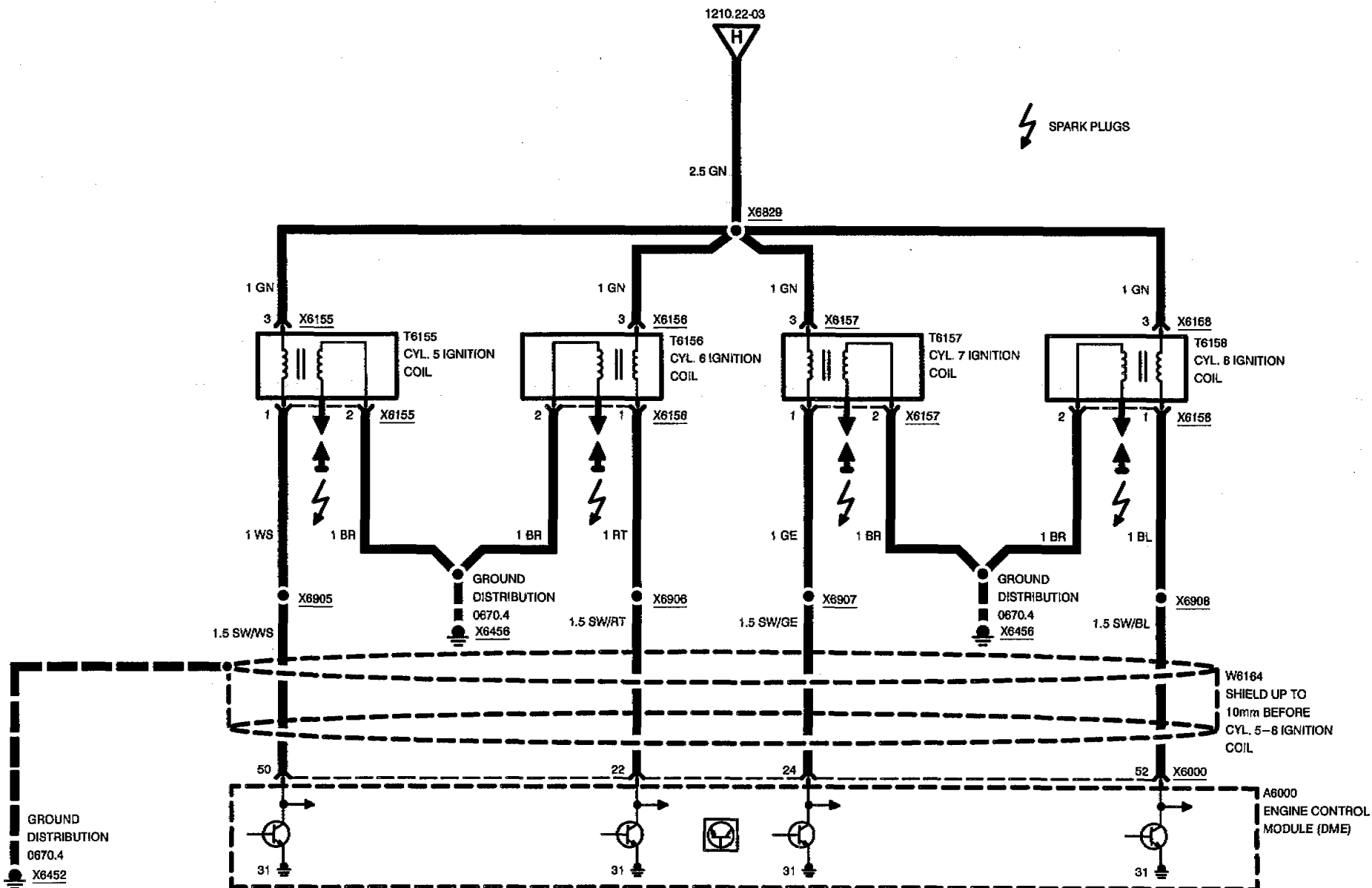
1210.22-03

95/96



ENGINE CONTROL SYSTEM (DME M5.2, 8-CYLINDER M62)

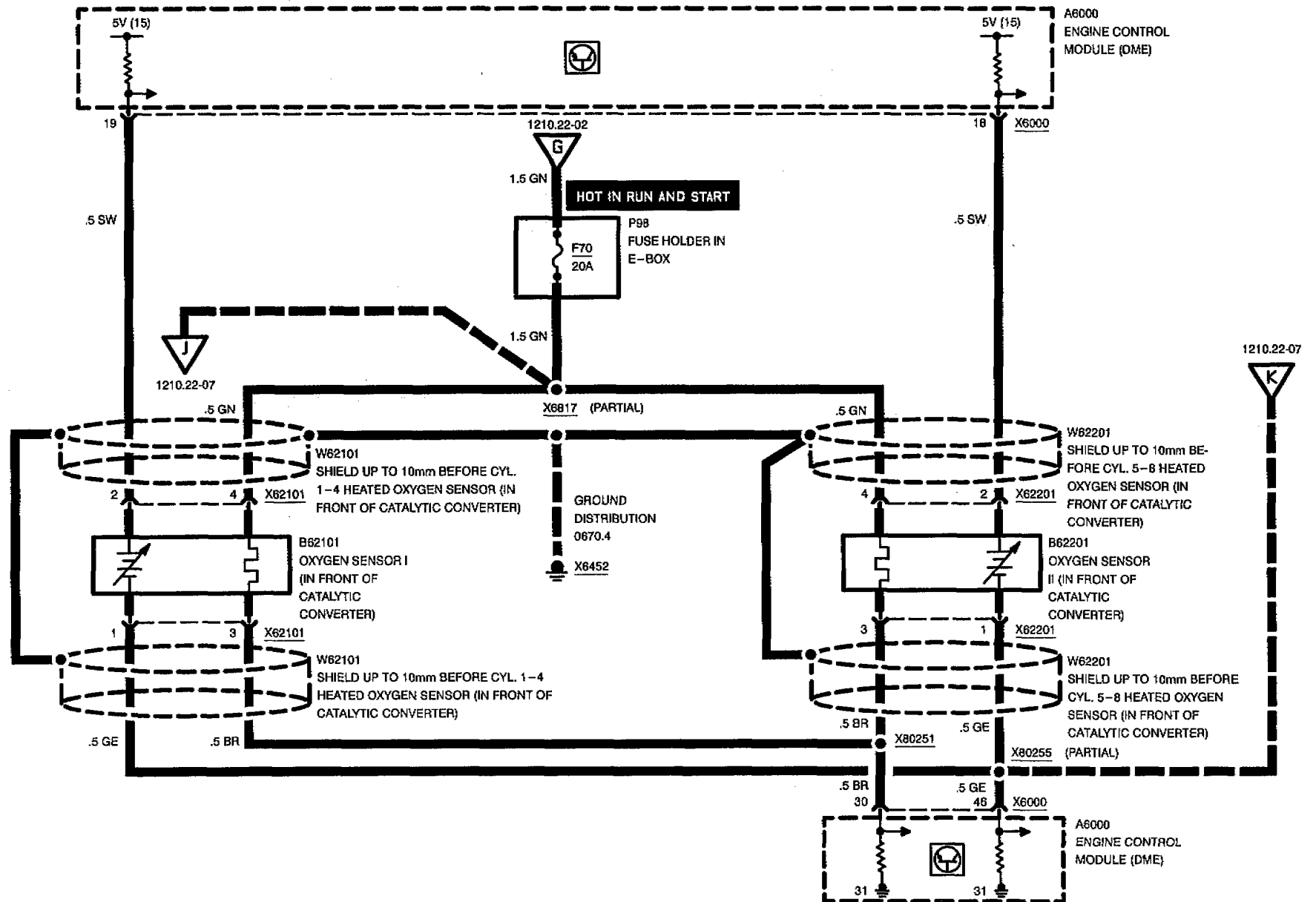
IGNITION COILS





ENGINE CONTROL SYSTEM (DME M5.2, 8-CYLINDER M62)

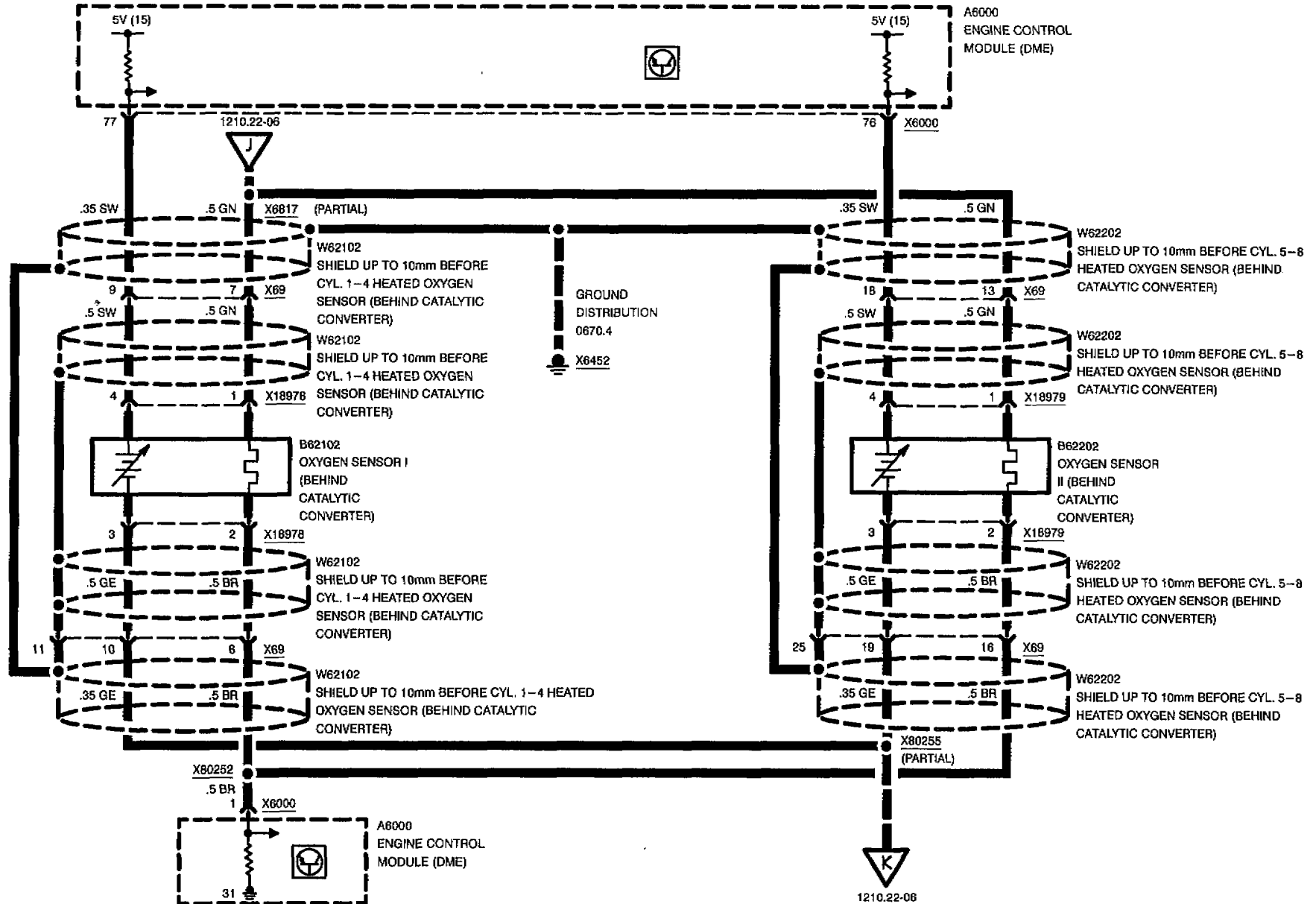
OXYGEN SENSORS (IN FRONT OF CATALYTIC CONVERTER)





ENGINE CONTROL SYSTEM (DME M5.2, 8-CYLINDER M62)

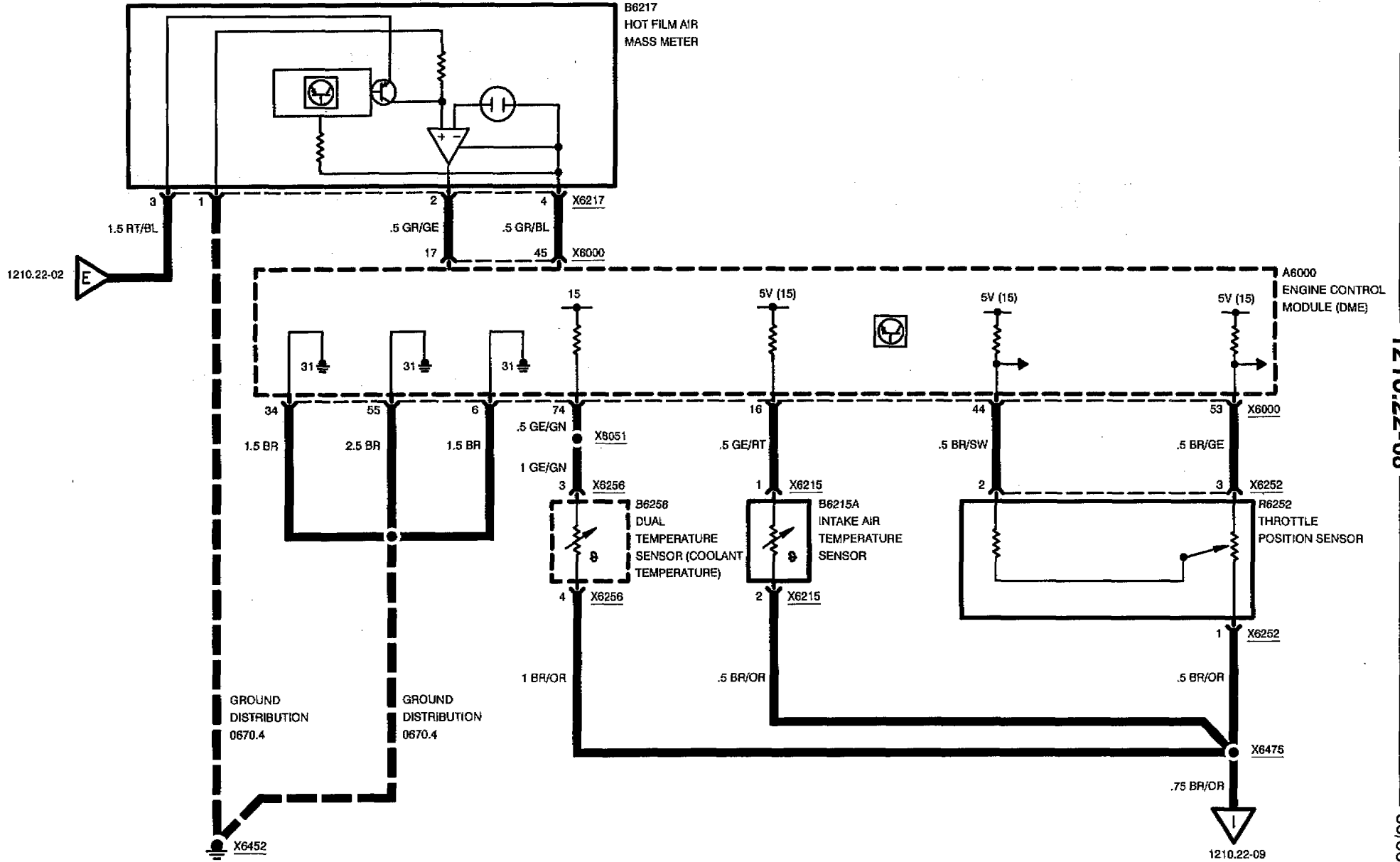
OXYGEN SENSORS (BEHIND CATALYTIC CONVERTER)





ENGINE CONTROL SYSTEM (DME M5.2, 8-CYLINDER M62)

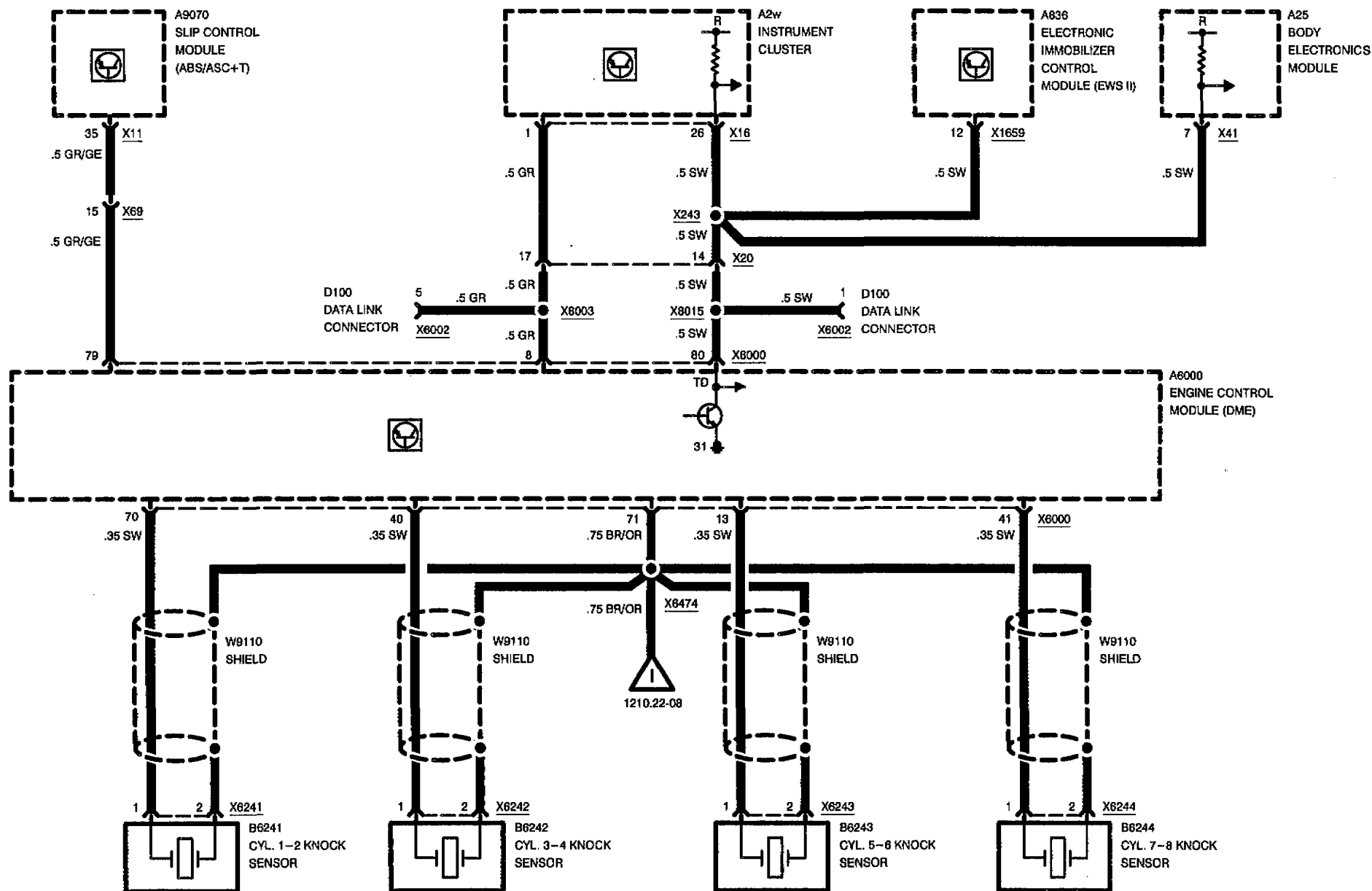
SENSORS





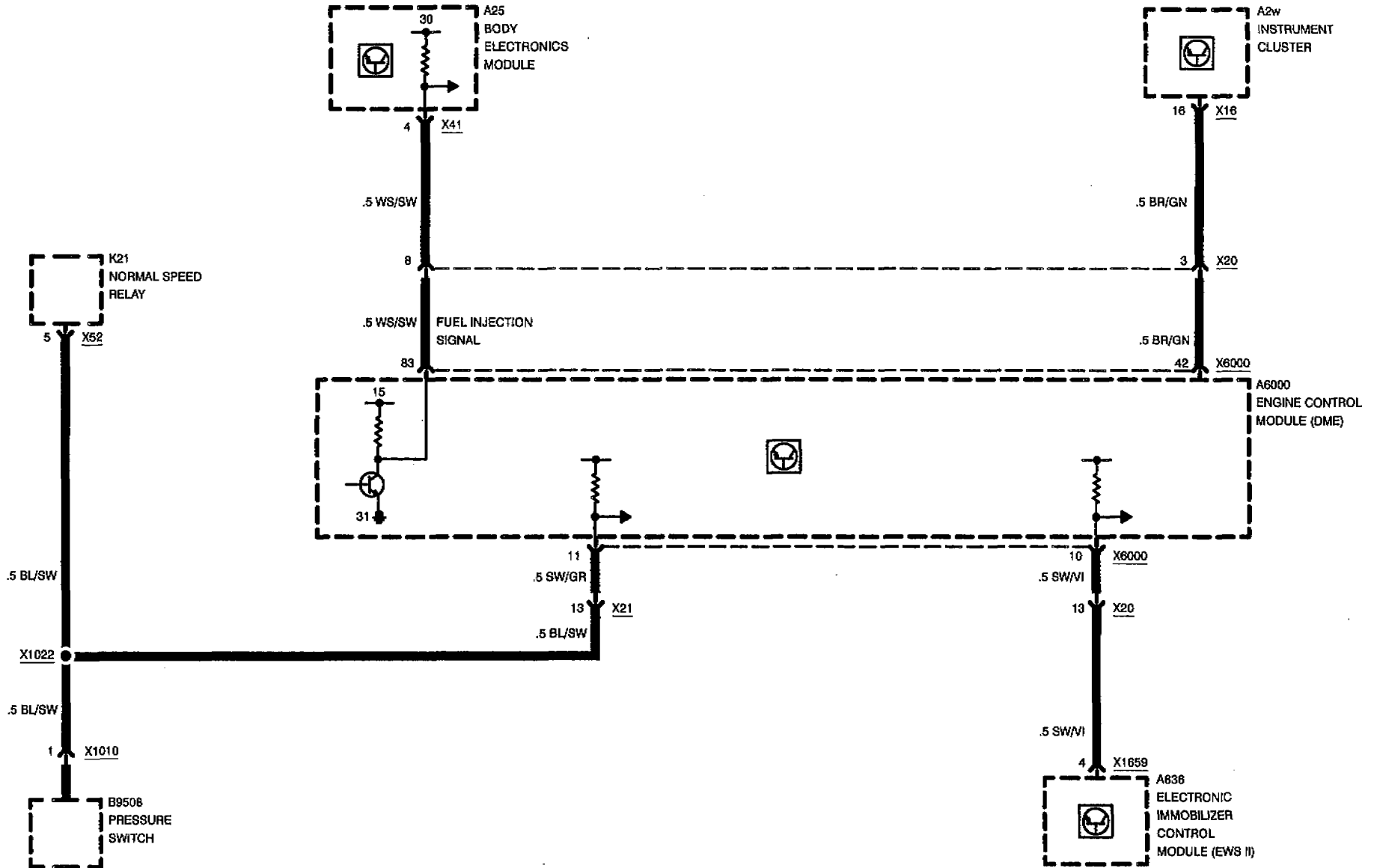
ENGINE CONTROL SYSTEM (DME M5.2, 8-CYLINDER M62)

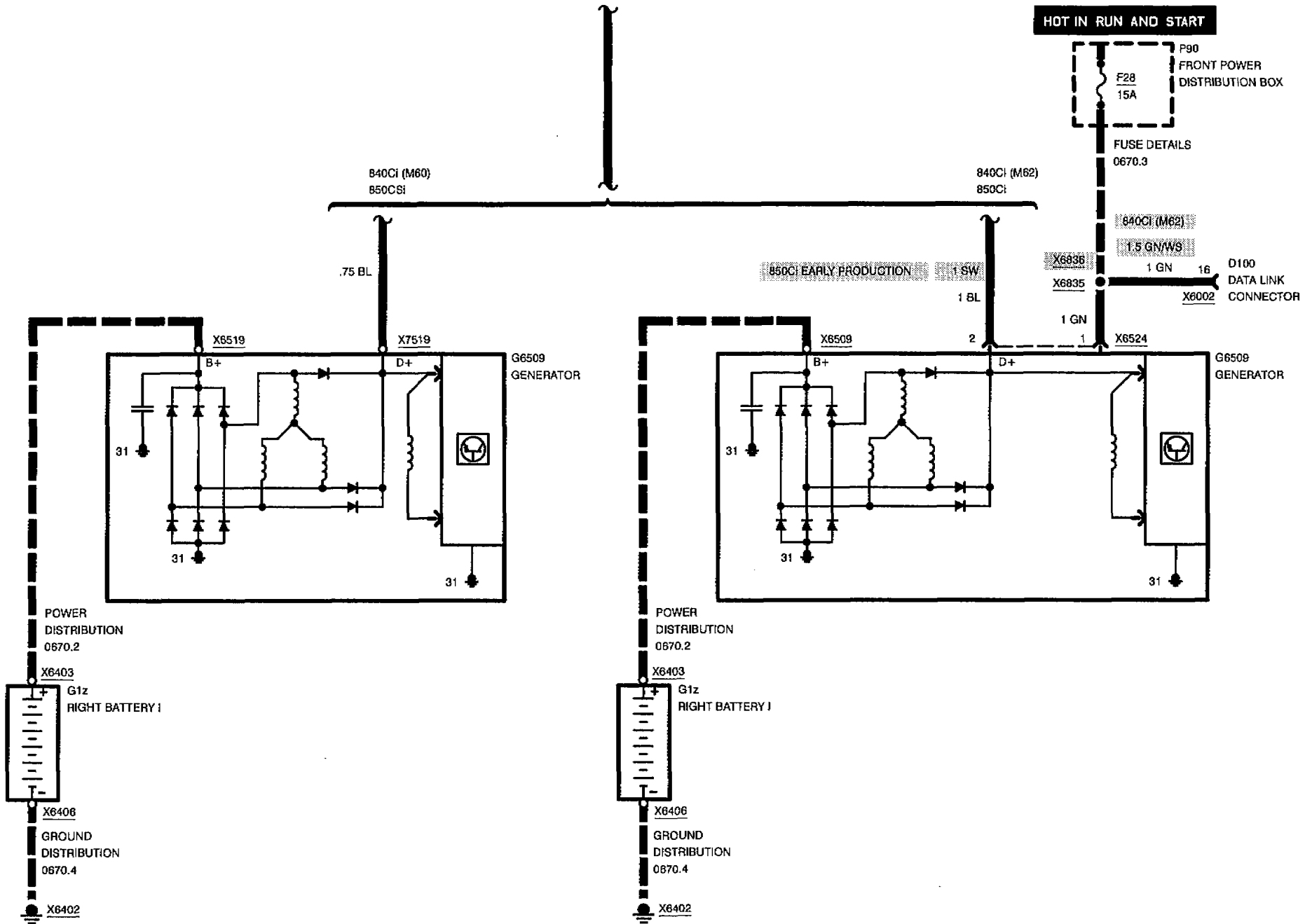
ASC





ENGINE CONTROL SYSTEM (DME M5.2, 8-CYLINDER M62)







START

850CSI EARLY PRODUCTION

HOT IN RUN AND START

HOT AT ALL TIMES

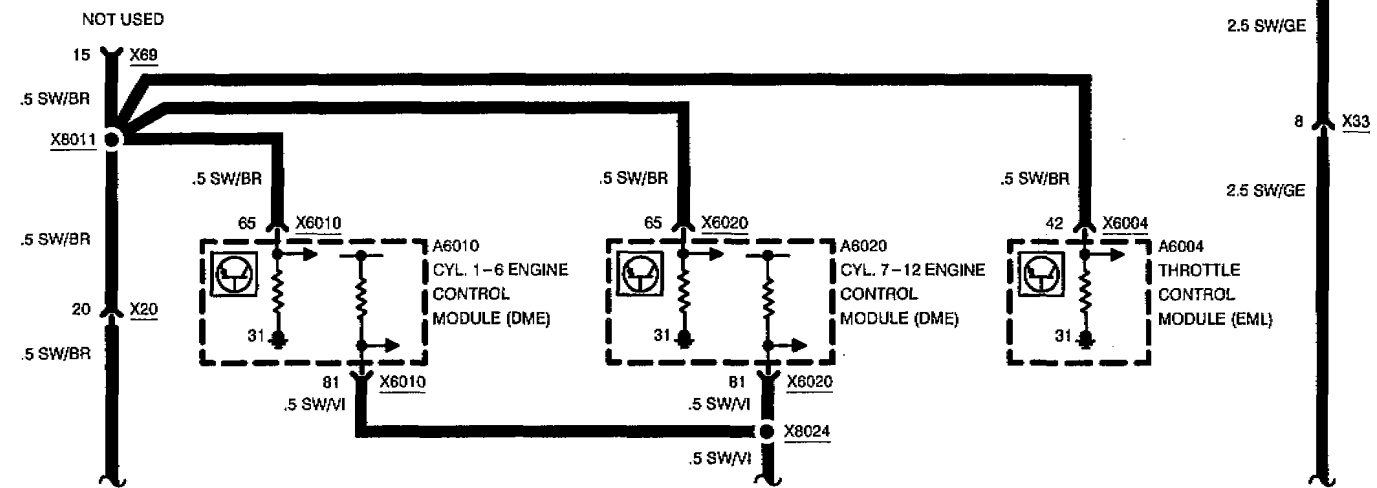
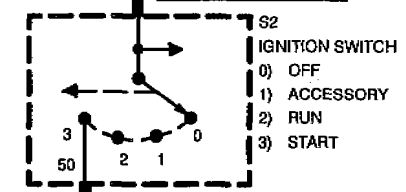


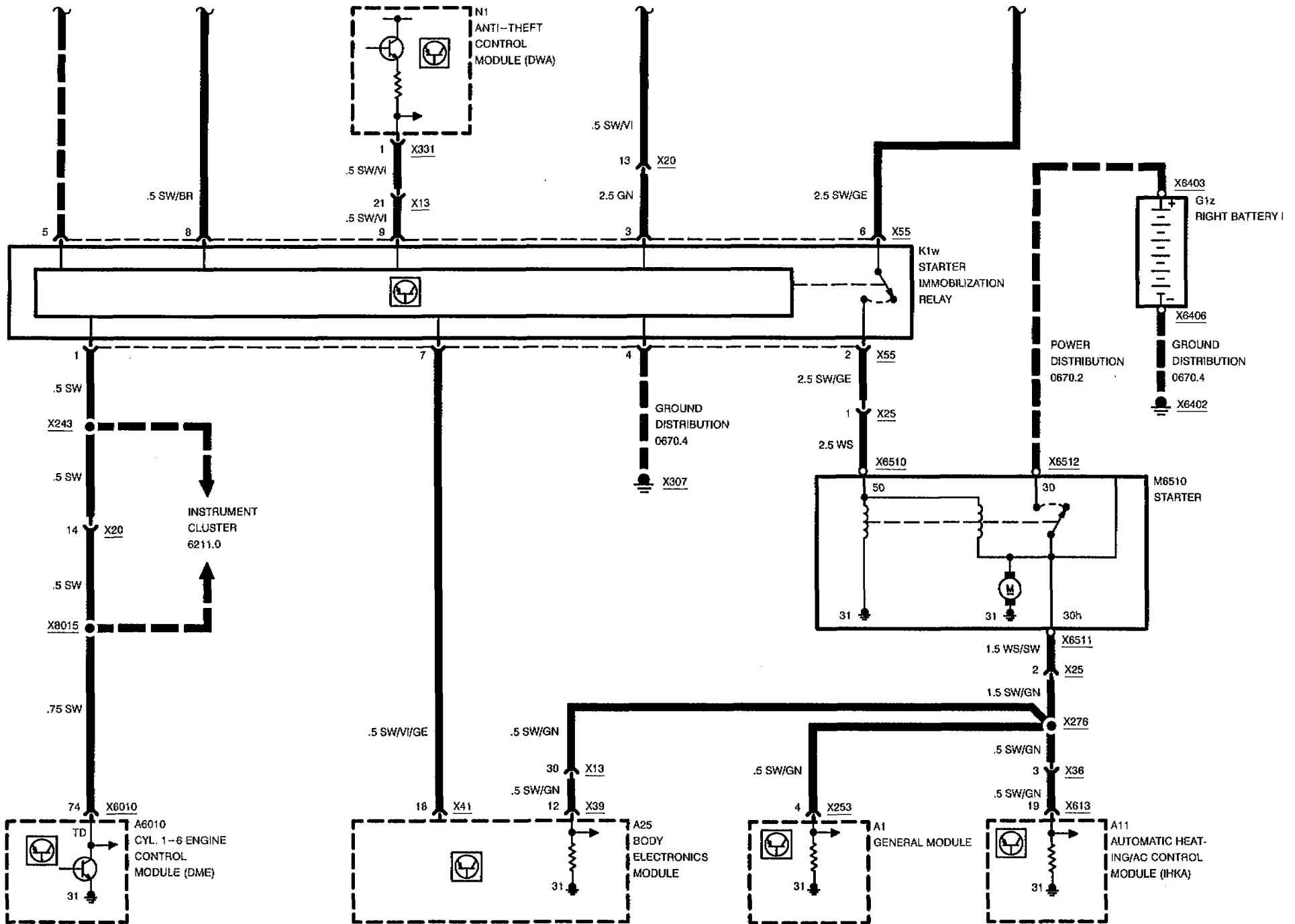
FUSE DETAILS
0670.3

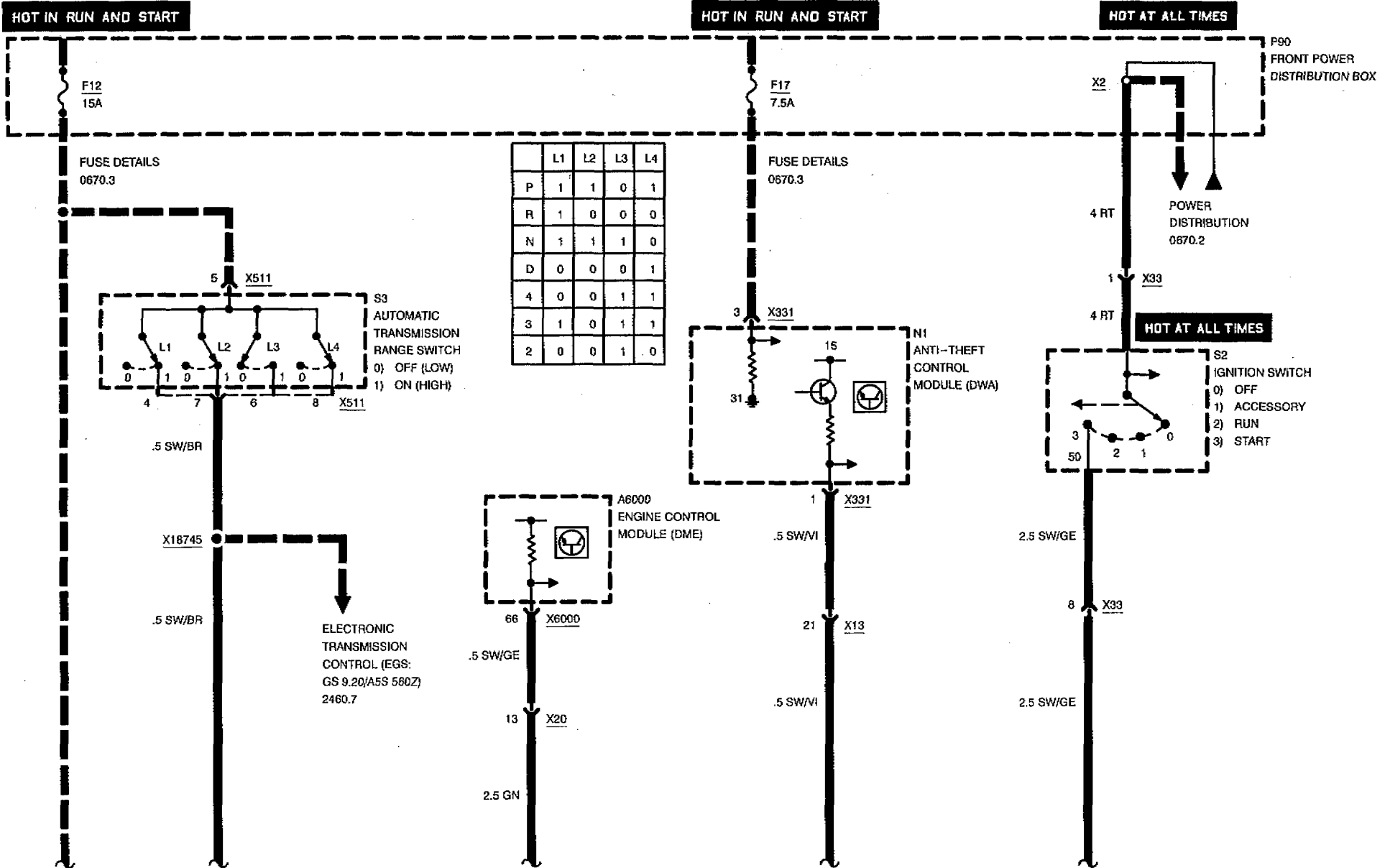
4 RT
POWER
DISTRIBUTION
0670.2

1
4 RT

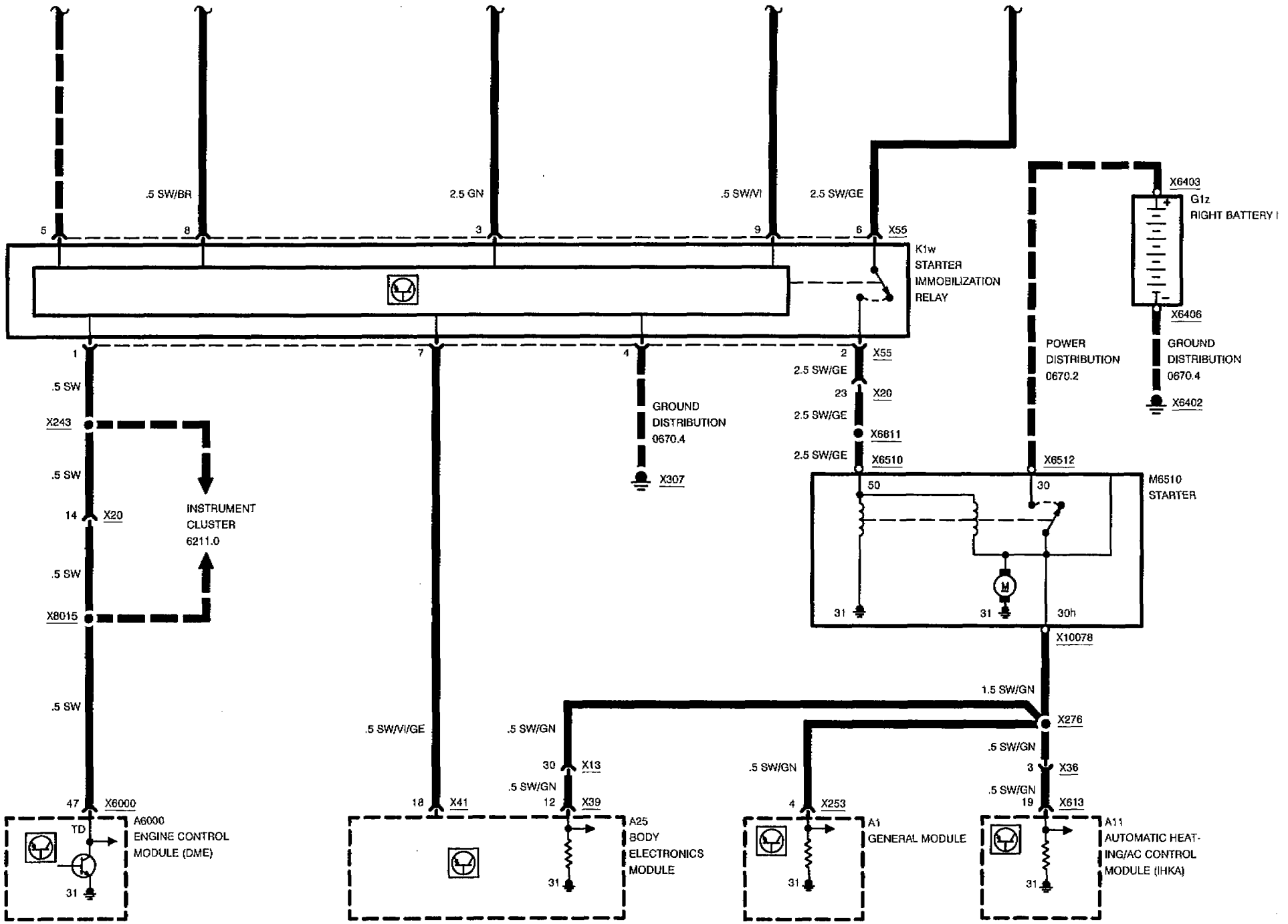
HOT AT ALL TIMES







	L1	L2	L3	L4
P	1	1	0	1
R	1	0	0	0
N	1	1	1	0
D	0	0	0	1
4	0	0	1	1
3	1	0	1	1
2	0	0	1	0



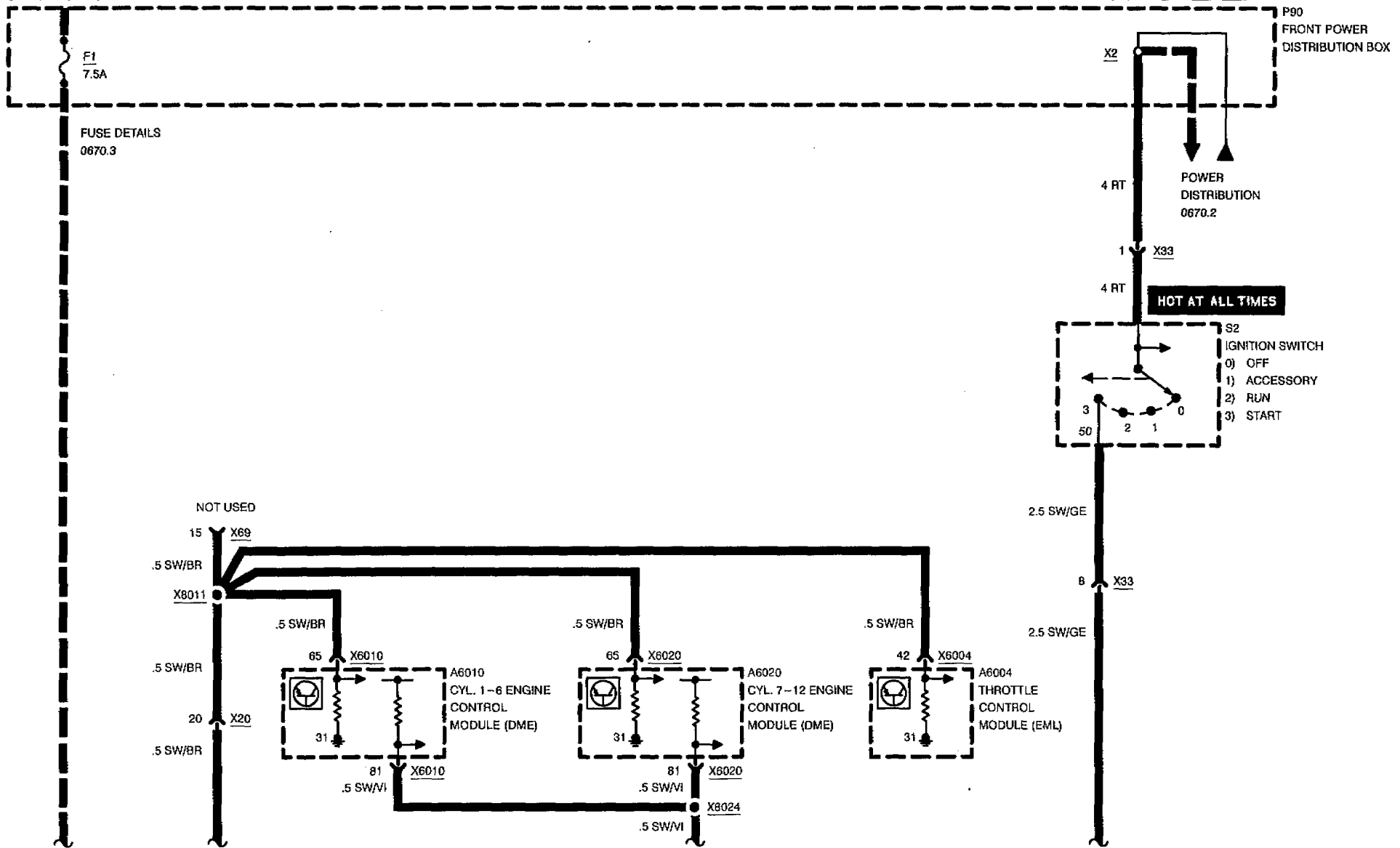


START

850CSi LATE PRODUCTION

HOT AT ALL TIMES

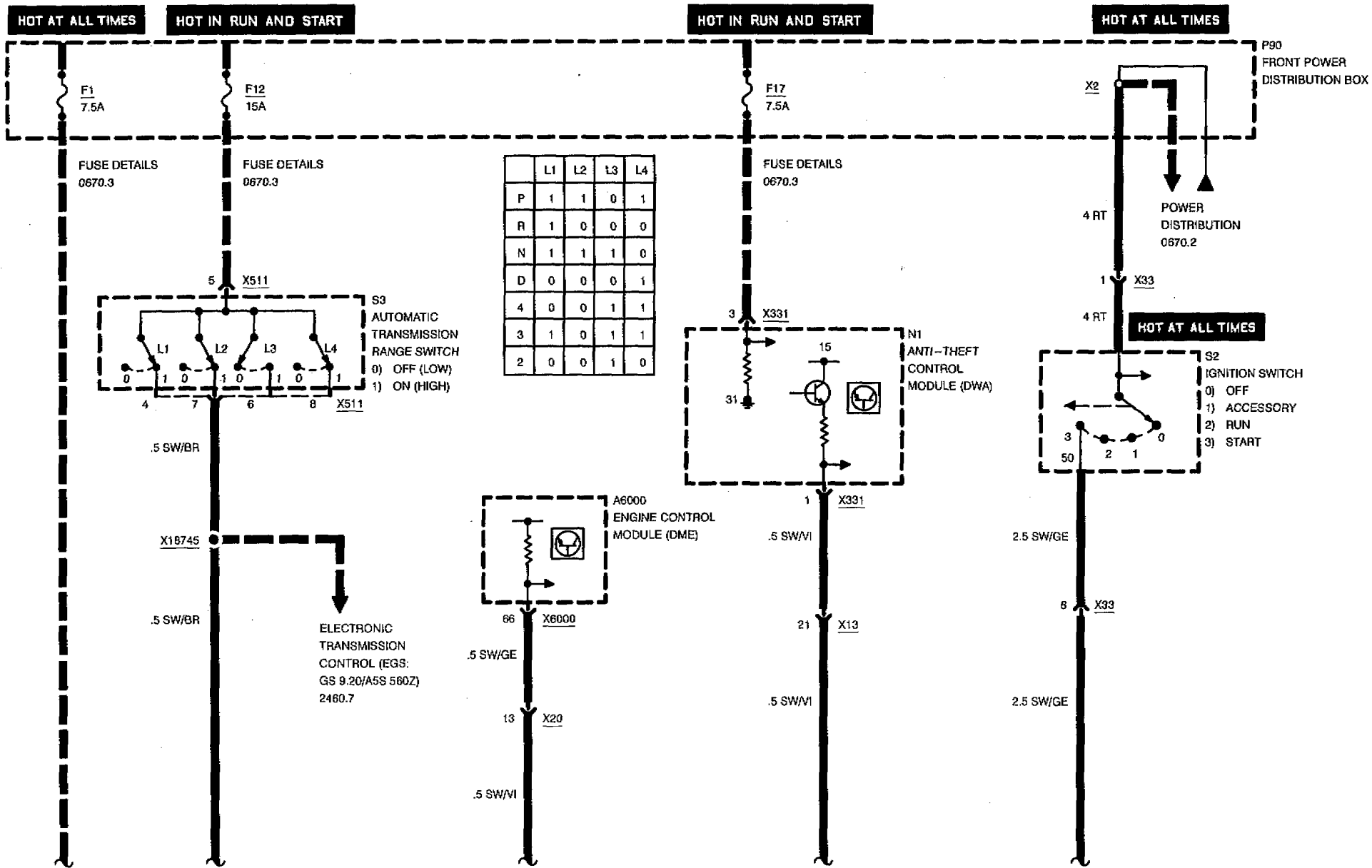
HOT AT ALL TIMES





START

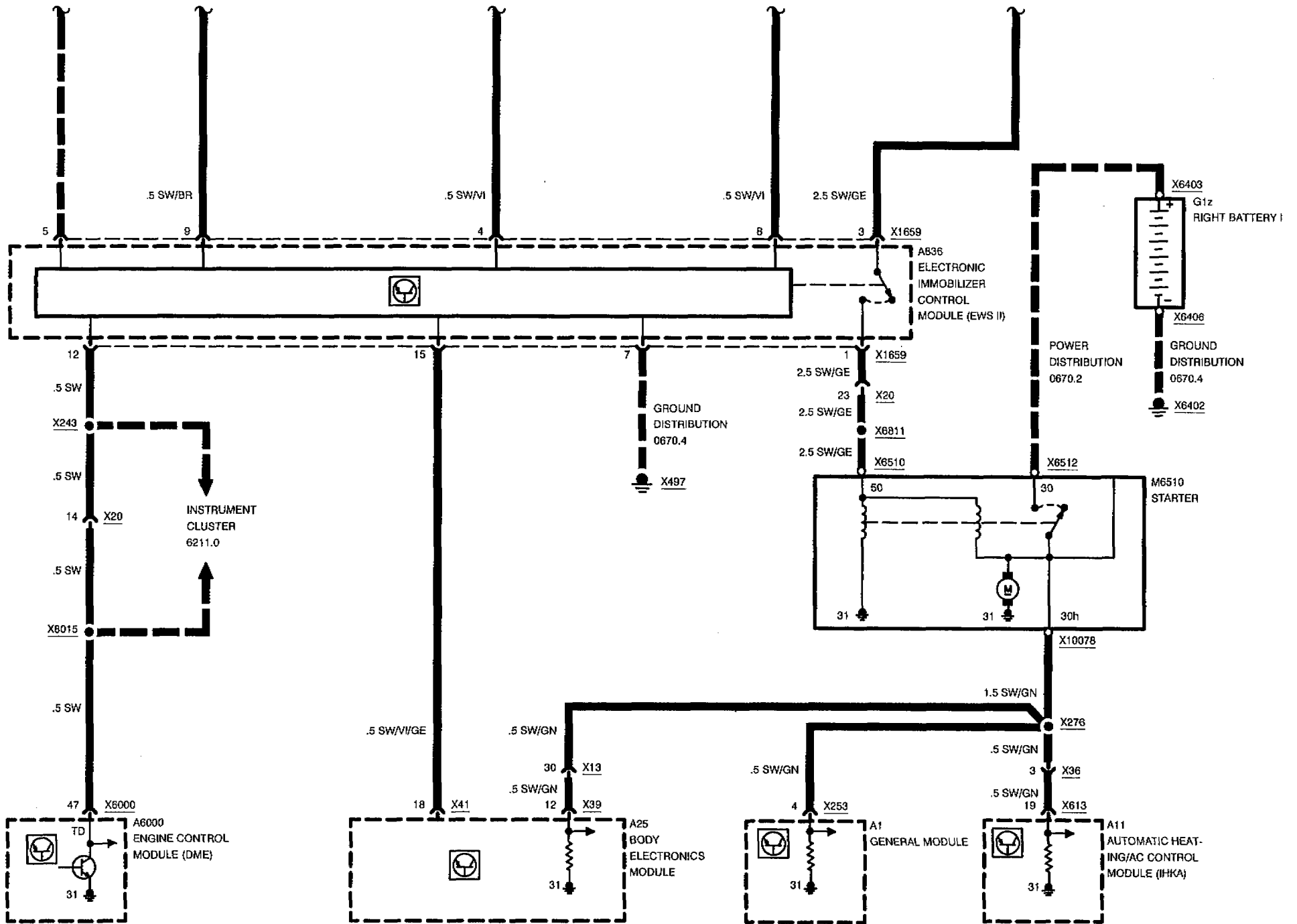
840Ci (M60) LATE PRODUCTION



02/97

1240.0-08

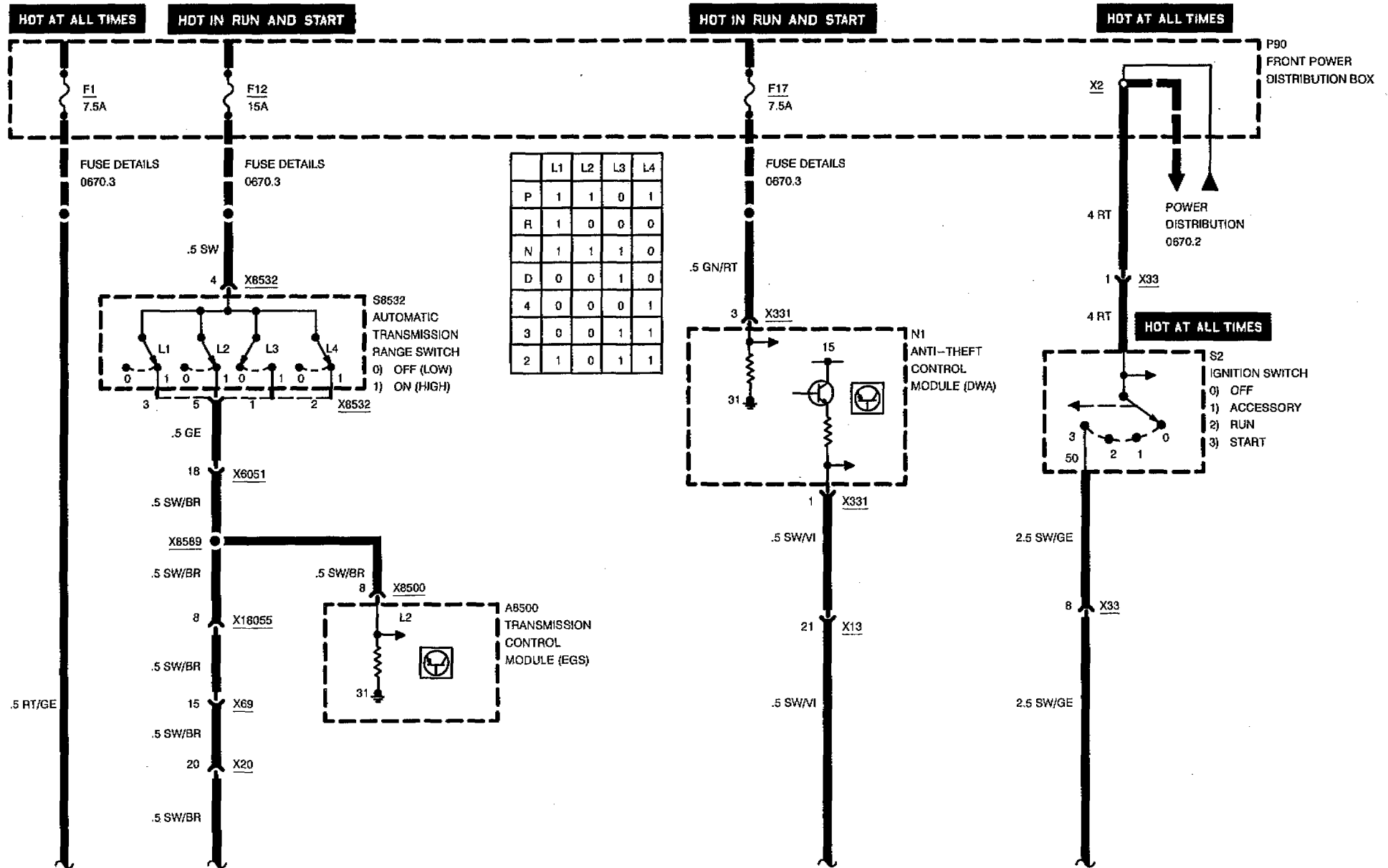
95/96

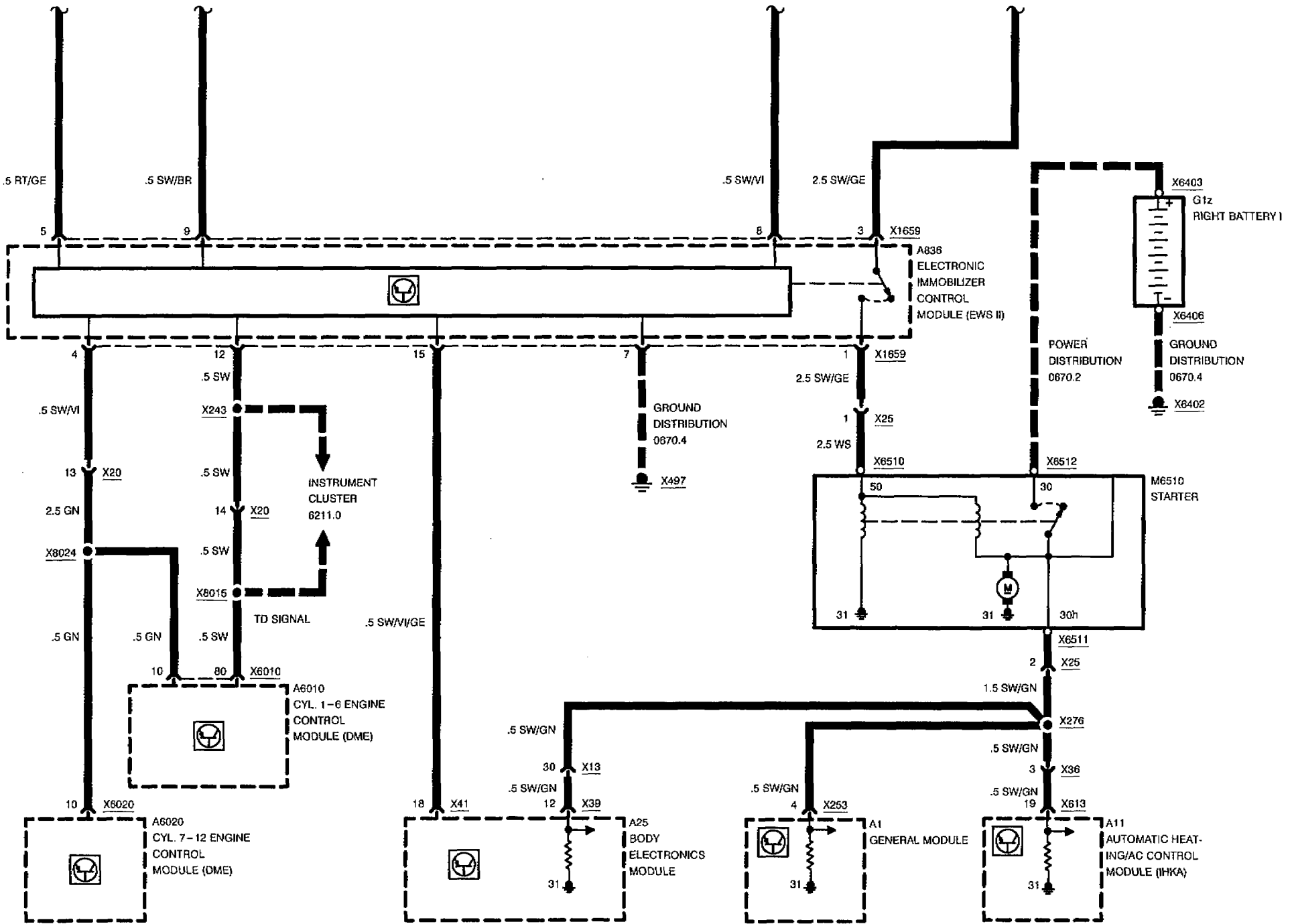




START

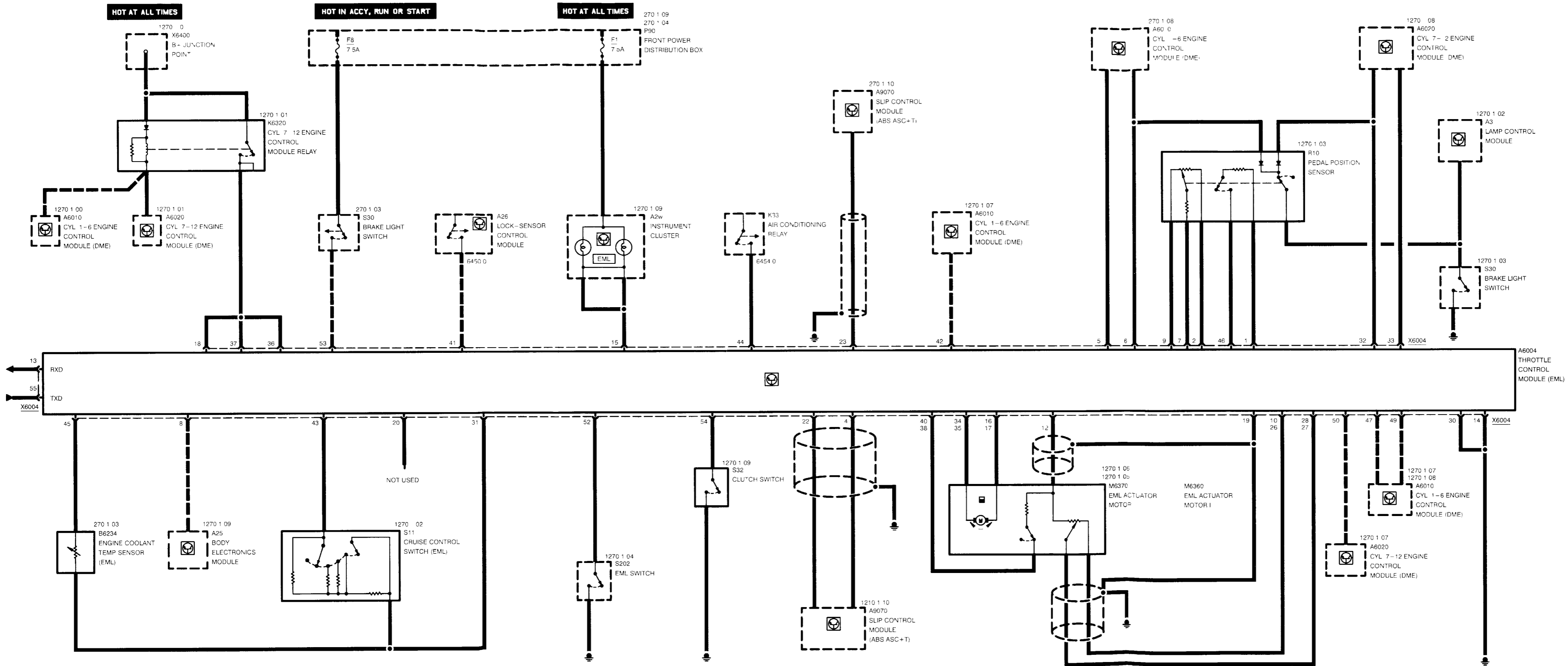
850Ci

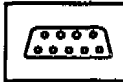






1240.0-12



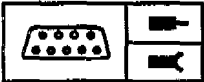


Pin Assignments

X6004

Pin	Type	Description/Function	Connection
1	A	5 V (not short-circuit-proof)	Pedal position sensor
2	M	Ground (electronic ground)	Pedal position sensor ground
3		Not used	
4	E	Throttle valve angle reduction (DKR)	Slip control module (ASC + T)
5	A	Wide open throttle signal	Cyl. 1-6 engine control module (DME)
6	A	Idle signal	Cyl. 1-6 engine control module (DME)
7	E	Pedal position	Pedal position sensor
8	E	Speedometer signal	Body electronics module (EKM)
9	A	5 V (not short-circuit-proof)	Pedal position sensor
10	M	Ground (electronic ground)	Component ground Cyl. 7-12 throttle body
11	A	5 V (not short-circuit-proof)	Cyl. 7-12 throttle body
12	A	5 V (not short-circuit-proof)	Cyl. 1-6 throttle body
13	E	RxD diagnostic data line	Data link connector
14	M	Ground (Output ground)	Output ground Cyl. 1-6 throttle body
15	A	EML warning lamp	Instrument cluster
	E	Voltage supply for defect code memory	
16	A	Throttle actuator (DK)	Cyl. 7-12 throttle body
17	A	Throttle actuator (DK)	Cyl. 1-6 throttle body
18	E	Voltage supply (+)	Cyl. 7-12 engine control module relay
19	M	Ground	Ground point
20	A	Kick-down signal	Not used
21		Not used	
22	E	Throttle valve angle increase (DKE)	Slip control module (ASC + T)
23	A	Throttle valve angle signal (DKV)	Slip control module (ASC + T)
24		Not used	
25		Not used	
26	M	Ground (electronic ground)	Component ground Cyl. 1-6 throttle body
27	E	Throttle position	Cyl. 1-6 throttle body potentiometer
28	E	Throttle position	Cyl. 7-12 throttle body potentiometer

E = Input, A = Output, M = Ground



Pin Assignments

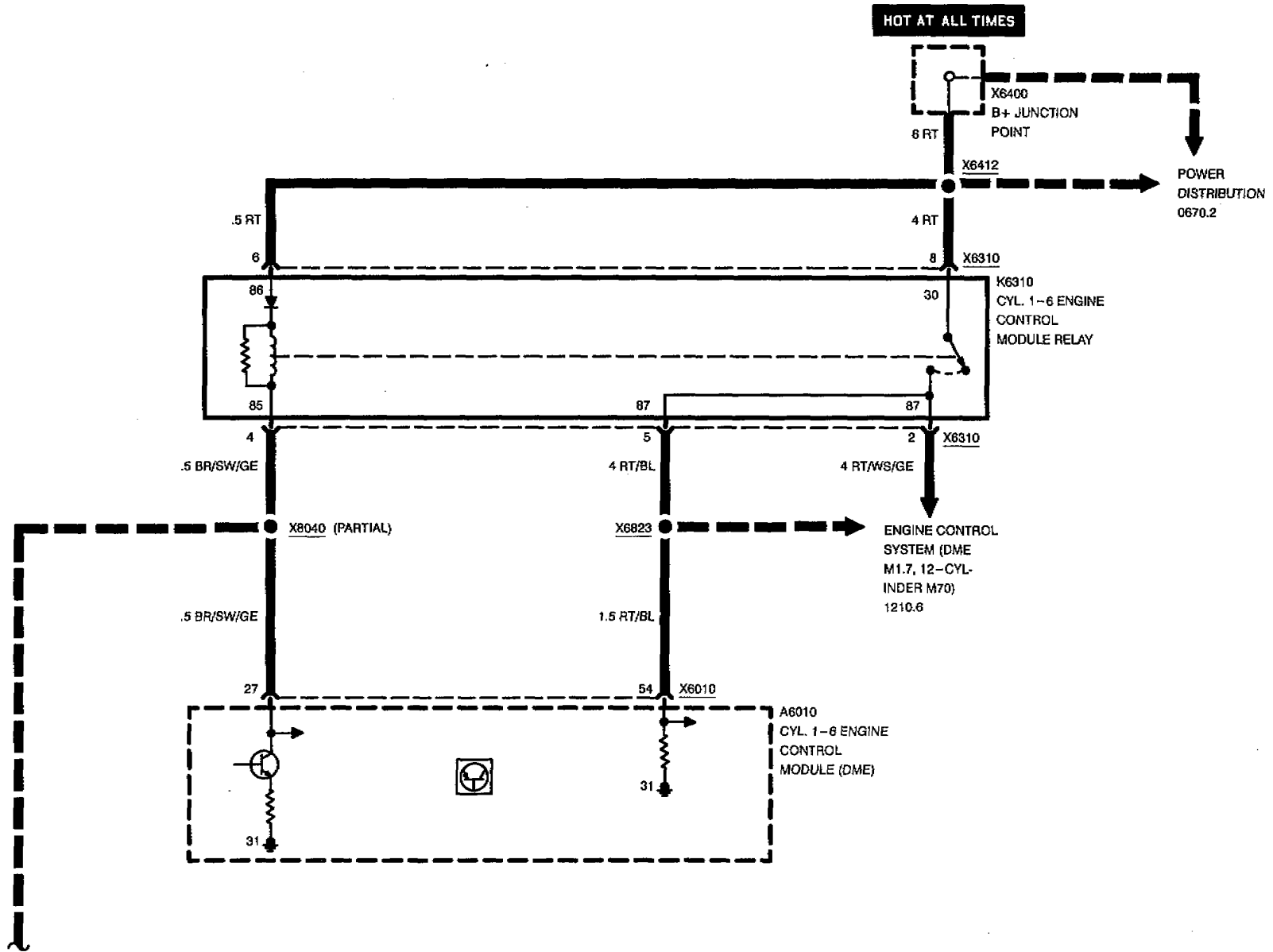
Pin	Type	Description/Function	Connection
29		Not used	
30	M	Ground (output ground)	Output ground Cyl. 7-12 throttle body
31	M	Ground (electronic ground)	Engine coolant temperature sensor (EML)
32	A	Idle signal	Cyl. 7-12 engine control module (DME)
33	A	Wide open throttle	Cyl. 7-12 engine control module (DME)
34	A	Throttle actuator (DK)	Cyl. 7-12 throttle body
35	A	Throttle actuator (DK)	Cyl. 1-6 throttle body
36	E	Voltage supply (+)	Cyl. 7-12 engine control module relay
37	E	Voltage supply (+)	Cyl. 7-12 engine control module relay
38	E	Throttle angle 17° switch	Cyl. 1-6 throttle body
39		Not used	
40	E	Throttle angle 17° switch	Cyl. 7-12 throttle body
41	E	A/C compressor ON	Lock sensor control module
42	E	Park/Neutral sensing	Cyl. 1-6 engine control module (DME)
43	E/A	Cruise control	Cruise control switch
44	E	A/C status signal	Air conditioning relay
45	E/A	Engine coolant temperature	Engine coolant temperature sensor (EML)
46	E	Pedal position sensor 9° switch	Pedal position sensor
47	E	Engine speed signal (TD)	Cyl. 1-6 engine control module (DME)
48		Not used	
49	E	Injection signal (ti)	Cyl. 1-6 engine control module (DME)
50	E	Injection signal (ti)	Cyl. 1-6 engine control module (DME)
51		Not used	
52	E	S-program identifier	EML switch
53	E	Brake pedal position	Brake light switch
54	E	Clutch pedal position	Clutch switch
55	E/A	TxD diagnostic data line	Data link connector

E = Input, A = Output, M = Ground



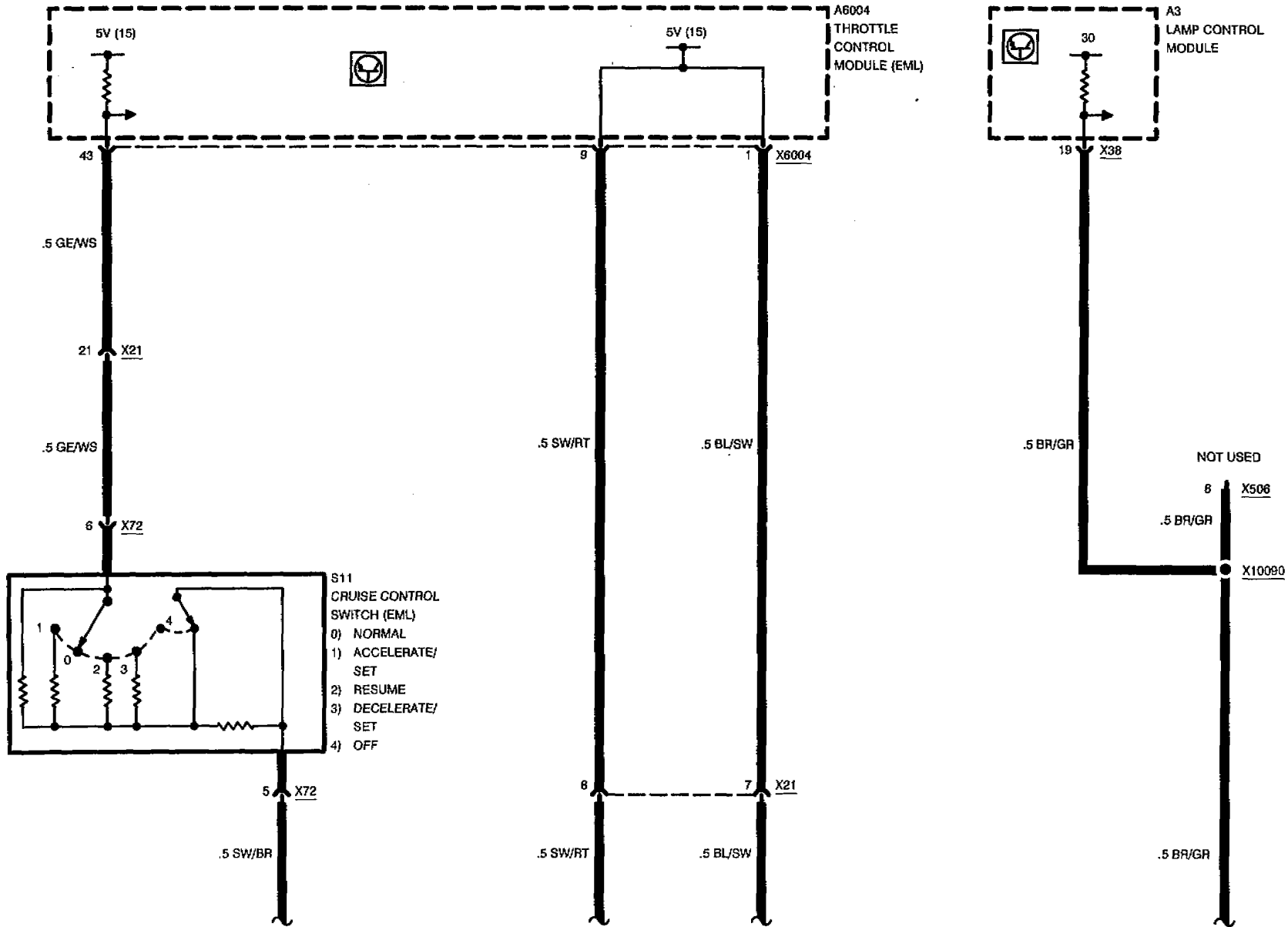


ELECTRONIC THROTTLE CONTROL (EML 12-CYLINDER)



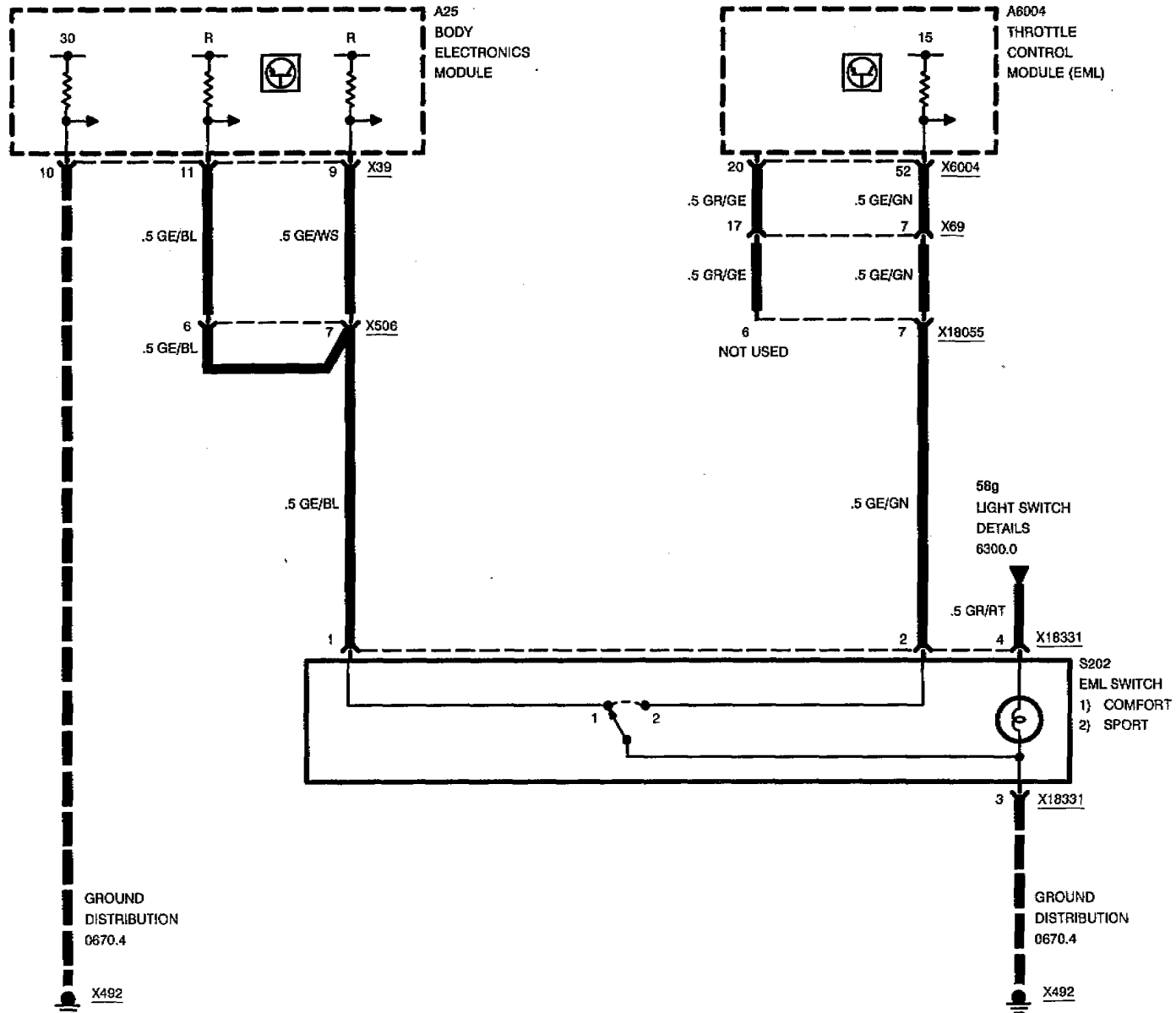


ELECTRONIC THROTTLE CONTROL (EML 12-CYLINDER)



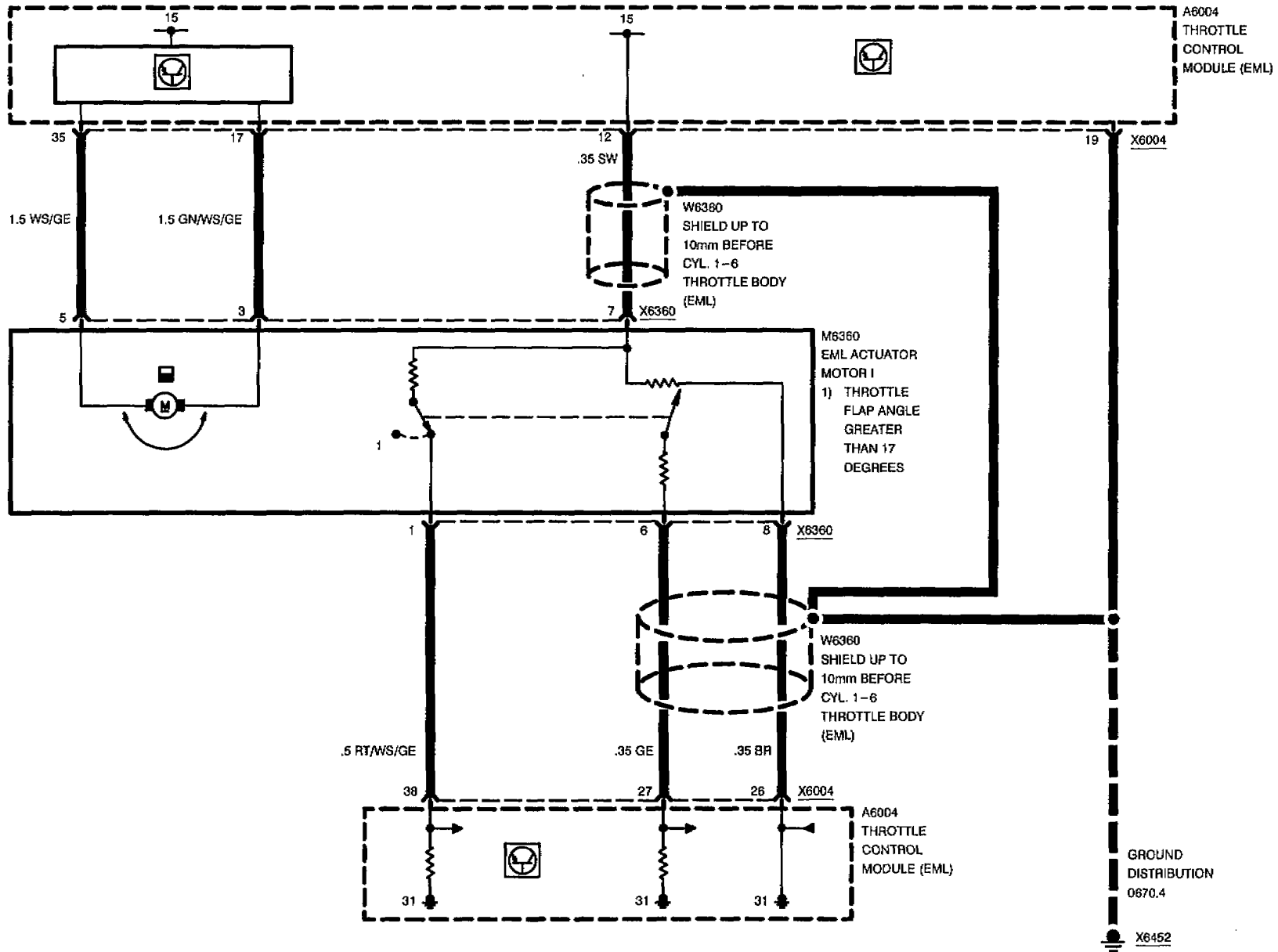


ELECTRONIC THROTTLE CONTROL (EML 12-CYLINDER)



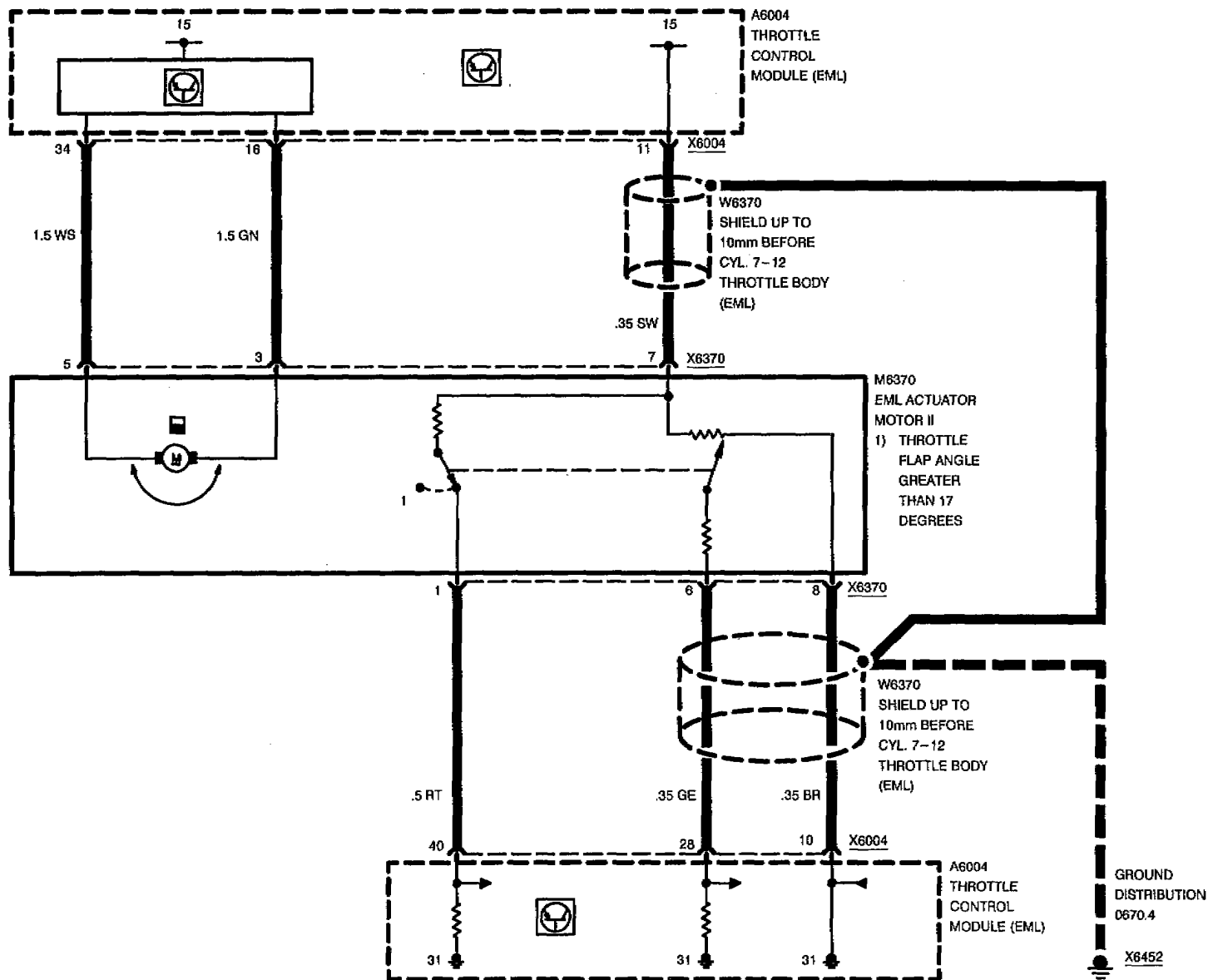


ELECTRONIC THROTTLE CONTROL (EML 12-CYLINDER)



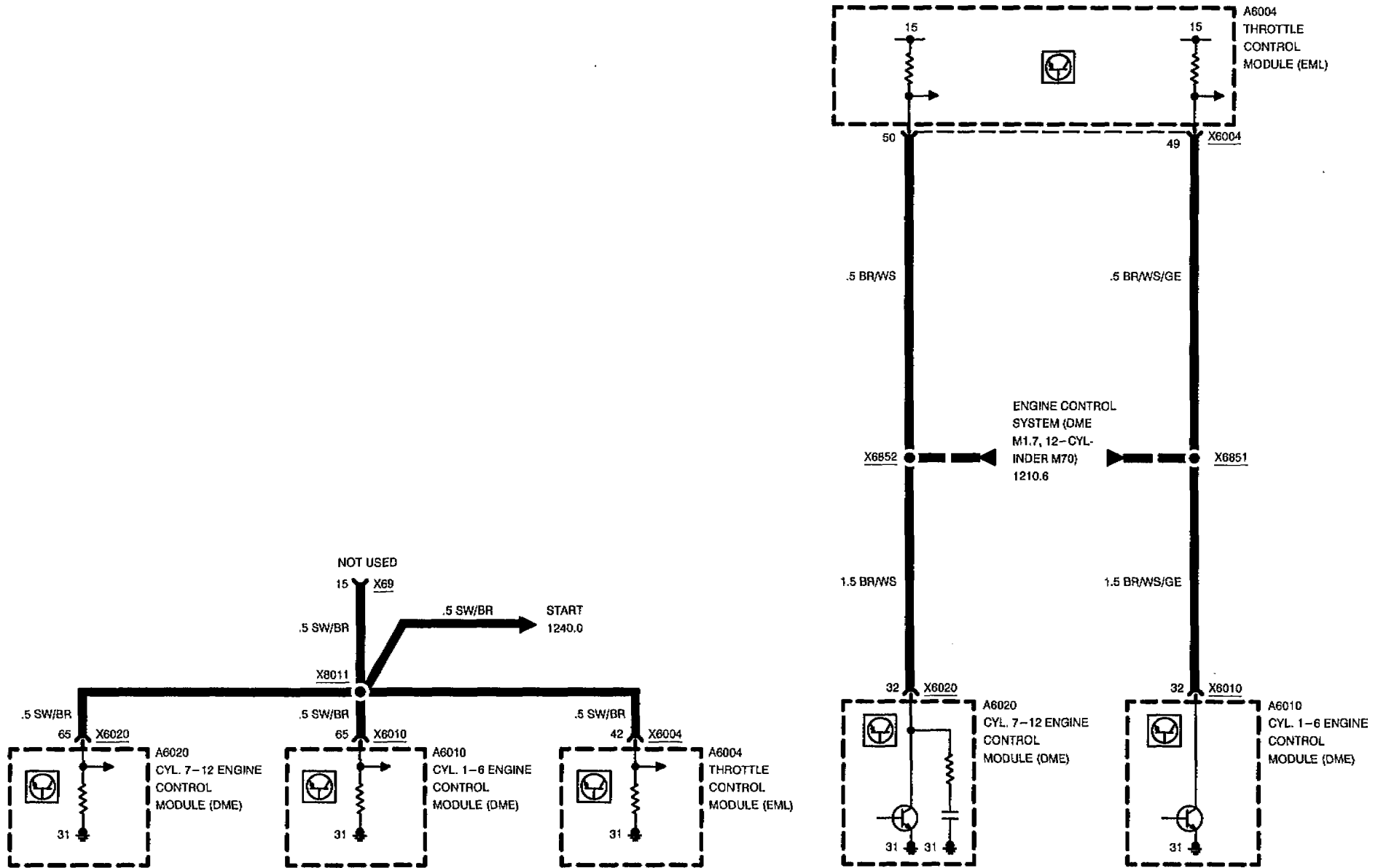


ELECTRONIC THROTTLE CONTROL (EML 12-CYLINDER)



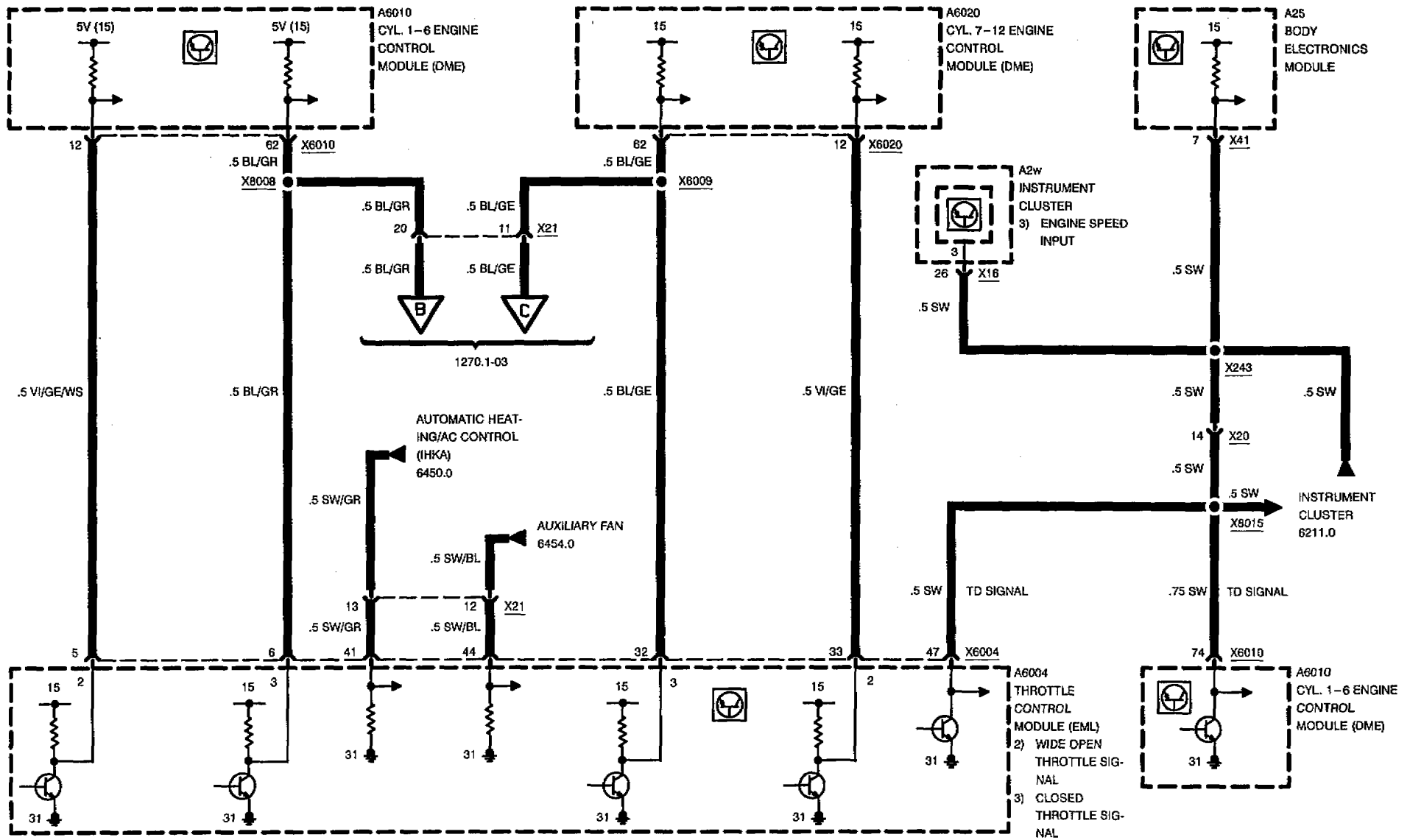


ELECTRONIC THROTTLE CONTROL (EML 12-CYLINDER)





ELECTRONIC THROTTLE CONTROL (EML 12-CYLINDER)



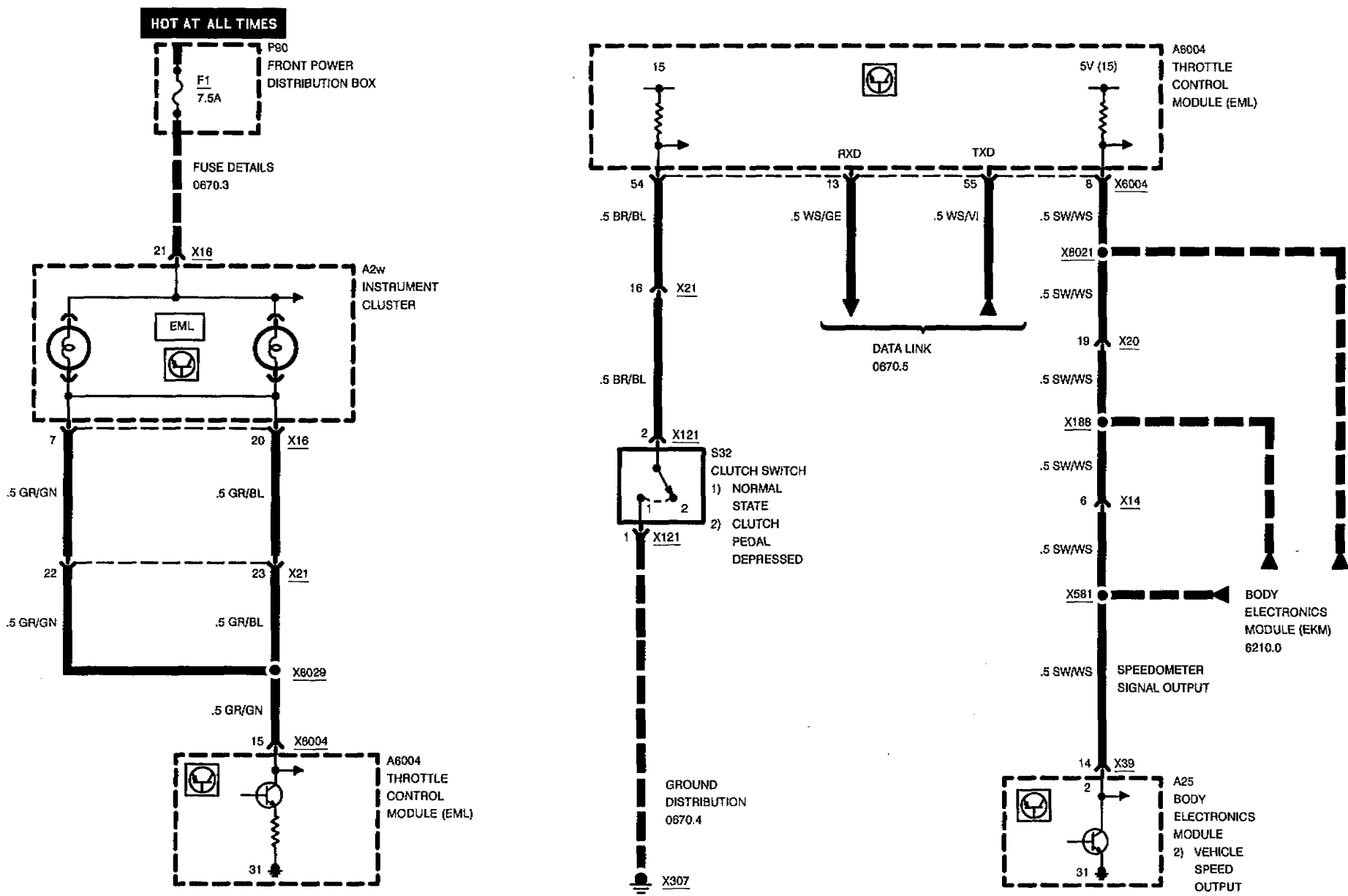
02/97

1270.1-08

95/96



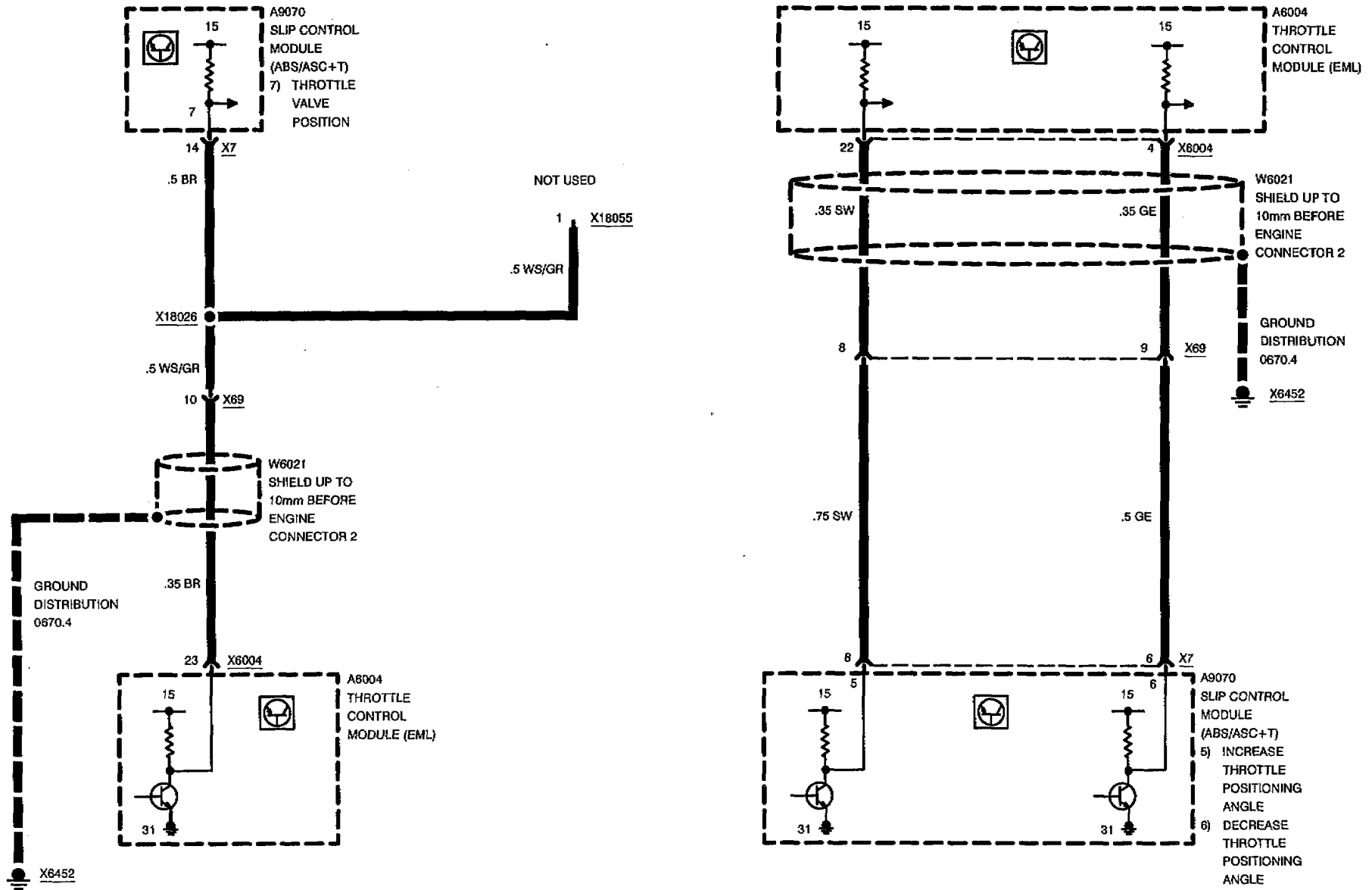
ELECTRONIC THROTTLE CONTROL (EML 12-CYLINDER)





ELECTRONIC THROTTLE CONTROL (EML 12-CYLINDER)

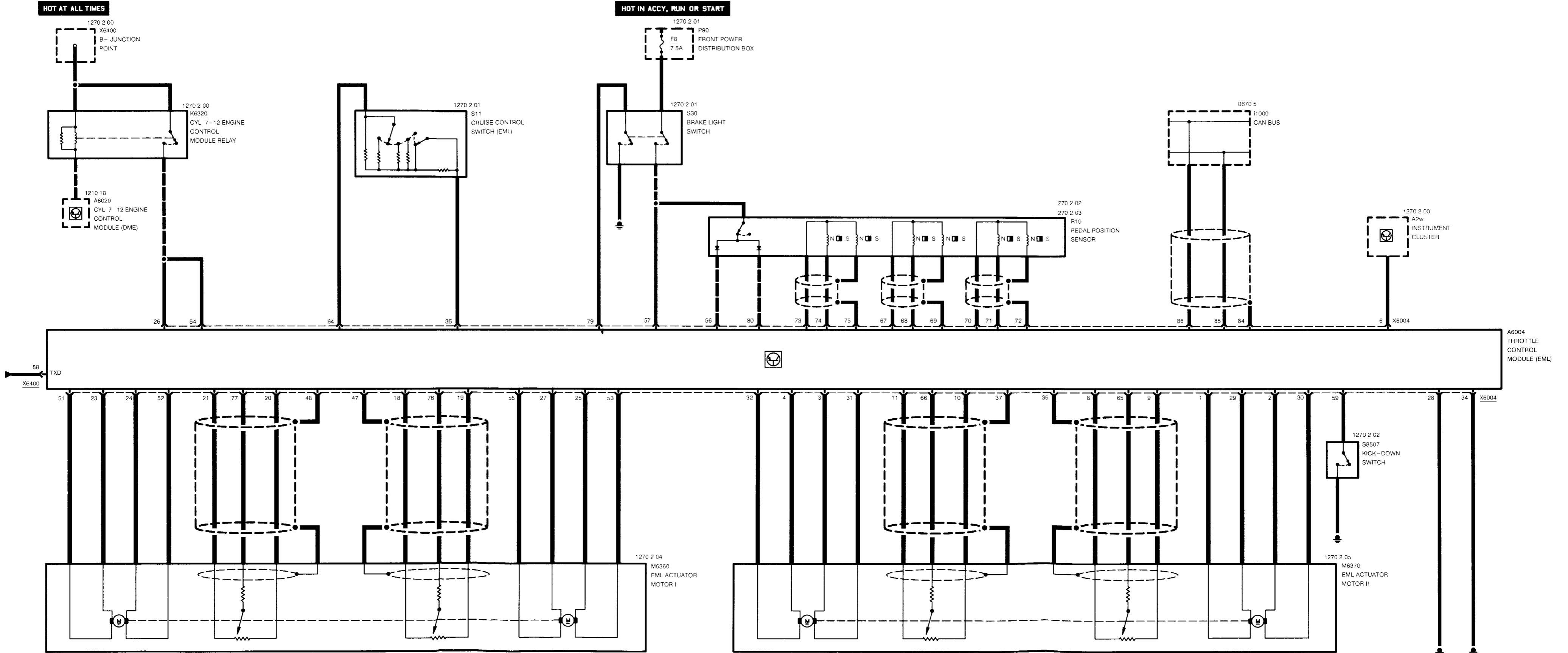
ASC INTERFACE



02/97

1270.1-10

95/96



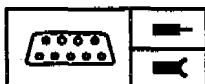


Pin Assignments

X6010

Pin	Type	Description/Function	Connection
1	A	Cosine winding signal, terminal connection A (DK2-C2A)	EML actuator motor II Stepper motor 2
2	A	Sine winding signal, terminal connection A (DK2-S2A)	EML actuator motor II Stepper motor 2
3	A	Cosine winding signal, terminal connection A (DK2-C1A)	EML actuator motor II Stepper motor 1
4	A	Sine winding signal, terminal connection B (DK2-S1B)	EML actuator motor II Stepper motor 1
5		Not used	
6	A	EML fault indication signal (EML-WL)	Instrument cluster
7		Not used	
8	M	Ground, potentiometer 2 (DK2-GND2)	EML actuator motor II
9	A	5 V signal, potentiometer 2 (DK2-5V-2)	EML actuator motor II
10	A	5 V signal, potentiometer 1 (DK2-5V-1)	EML actuator motor II
11	M	Ground, potentiometer 1 (DK2-GND1)	EML actuator motor II
12		Not used	
13		Not used	
14		Not used	
15		Not used	
16		Not used	
17		Not used	
18	M	Ground, potentiometer 2 (DK1-GND2)	EML actuator motor I
19	A	5 V signal, potentiometer 2 (DK1-5V-2)	EML actuator motor I
20	A	5 V signal, potentiometer 1 (DK1-5V-1)	EML actuator motor I
21	M	Ground, potentiometer 1 (DK1-GND1)	EML actuator motor I
22		Not used	
23	A	Sine winding signal, terminal connection B (DK1-S1B)	EML actuator motor I Stepper motor 1
24	A	Cosine winding signal, terminal connection A (DK1-C1A)	EML actuator motor I Stepper motor 1

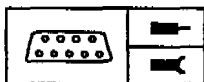
E = Input, A = Output, M = Ground



Pin Assignments

Pin	Type	Description/Function	Connection
25	A	Sine winding signal, terminal connection A (DK1-S2A)	EML actuator motor I Stepper motor 2
26	E	Terminal 87 (Battery voltage)	Cyl.7-12 engine control module relay
27	A	Cosine winding signal, terminal connection B (DK1-C2B)	EML actuator motor I Stepper motor 2
28	M	Terminal 31 (Ground)	Ground
29	A	Cosine winding signal, terminal connection B (DK2-C2B)	EML actuator motor II Stepper motor 2
30	A	Sine winding signal, terminal connection B (DK2-S2B)	EML actuator motor II Stepper motor 2
31	A	Cosine winding signal, terminal connection B (DK2-C1B)	EML actuator motor II Stepper motor 1
32	A	Sine winding signal, terminal connection A (DK2-S1A)	EML actuator motor II Stepper motor 1
33		Not used	
34	M	Terminal 31 (Ground)	Ground
35	E	Cruise control signal	Cruise control switch (EML)
36	M	Shield, potentiometer 2 (DK2-SCH2)	EML actuator motor II
37	M	Shield, potentiometer 1 (DK2-SCH1)	EML actuator motor II
38		Not used	
39		Not used	
40		Not used	
41		Not used	
42		Not used	
43		Not used	
44		Not used	
45		Not used	
46		Not used	
47	M	Shield, potentiometer 2 (DK1-SCH2)	EML actuator motor I
48	M	Shield, potentiometer 1 (DK1-SCH1)	EML actuator motor I
49		Not used	
50		Not used	
51	A	Sine winding signal, terminal connection A (DK1-S1A)	EML actuator motor I Stepper motor 1

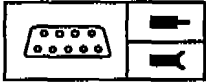
E = Input, A = Output, M = Ground



Pin Assignments

Pin	Type	Description/Function	Connection
52	A	Cosine winding signal, terminal connection B (DK1-C1B)	EML actuator motor I Stepper motor 1
53	A	Sine winding signal, terminal connection B (DK1-S1B)	EML actuator motor I Stepper motor 2
54	E	Terminal 87 (Battery voltage)	Cyl. 7-12 engine control module relay
55	A	Cosine winding signal, terminal connection A (DK1-C2A)	EML actuator motor I Stepper motor 2
56	E/A	Inertia fuel shutoff switch signal (SKA2)	Pedal position sensor, Cyl.7-12 engine control module (DME)
57	E	Brake light switch signal	Brake light switch
58		Not used	
59	E	Kick-down switch signal (S-KD)	Kick-down switch
60		Not used	
61		Not used	
62		Not used	
63		Not used	
64	A	Cruise control (+)	Cruise control switch (EML)
65	E	Potentiometer 2 signal (DK2-SIG2)	EML actuator motor II
66	E	Potentiometer 1 signal (DK2-SIG1)	EML actuator motor II
67	A	Sensor 2 signal Oscillator output (PWG2-OSZ)	Pedal position sensor
68	E	Sensor 2 signal Signal input (PWG2-SIG)	Pedal position sensor
69	M	Shield, sensor 2 (PWG2-SCH)	Pedal position sensor
70	A	Sensor 3 signal Oscillator output (PWG3-OSZ)	Pedal position sensor
71	E	Sensor 3 signal Signal input (PWG3-SIG)	Pedal position sensor
72	M	Shield, sensor 3 (PWG3-SCH)	Pedal position sensor
73	A	Sensor 1 signal Oscillator output (PWG1-OSZ)	Pedal position sensor
74	E	Sensor 1 signal Signal input (PWG1-SIG)	Pedal position sensor
75	M	Shield, sensor 1 (PWG1-SCH)	Pedal position sensor
76	E	Potentiometer 2 signal (DK1-SIG2)	EML actuator motor I
77	E	Potentiometer 1 signal (DK1-SIG1)	EML actuator motor I
78		Not used	

E = Input, A = Output, M = Ground



Pin Assignments

Pin	Type	Description/Function	Connection
79	E	Brake light switch test signal	Brake light switch
80	E/A	Inertia fuel shutoff switch signal (SKA1)	Pedal position sensor, Cyl.1-6 engine control module (DME)
81		Not used	
82		Not used	
83		Not used	
84	M	CANCA-S	Shield
85	E/A	CANCA-L	CAN BUS
86	E/A	CANCA-H	CAN BUS
87		Not used	
88	E/A	Diagnosis	Data link connector TXD

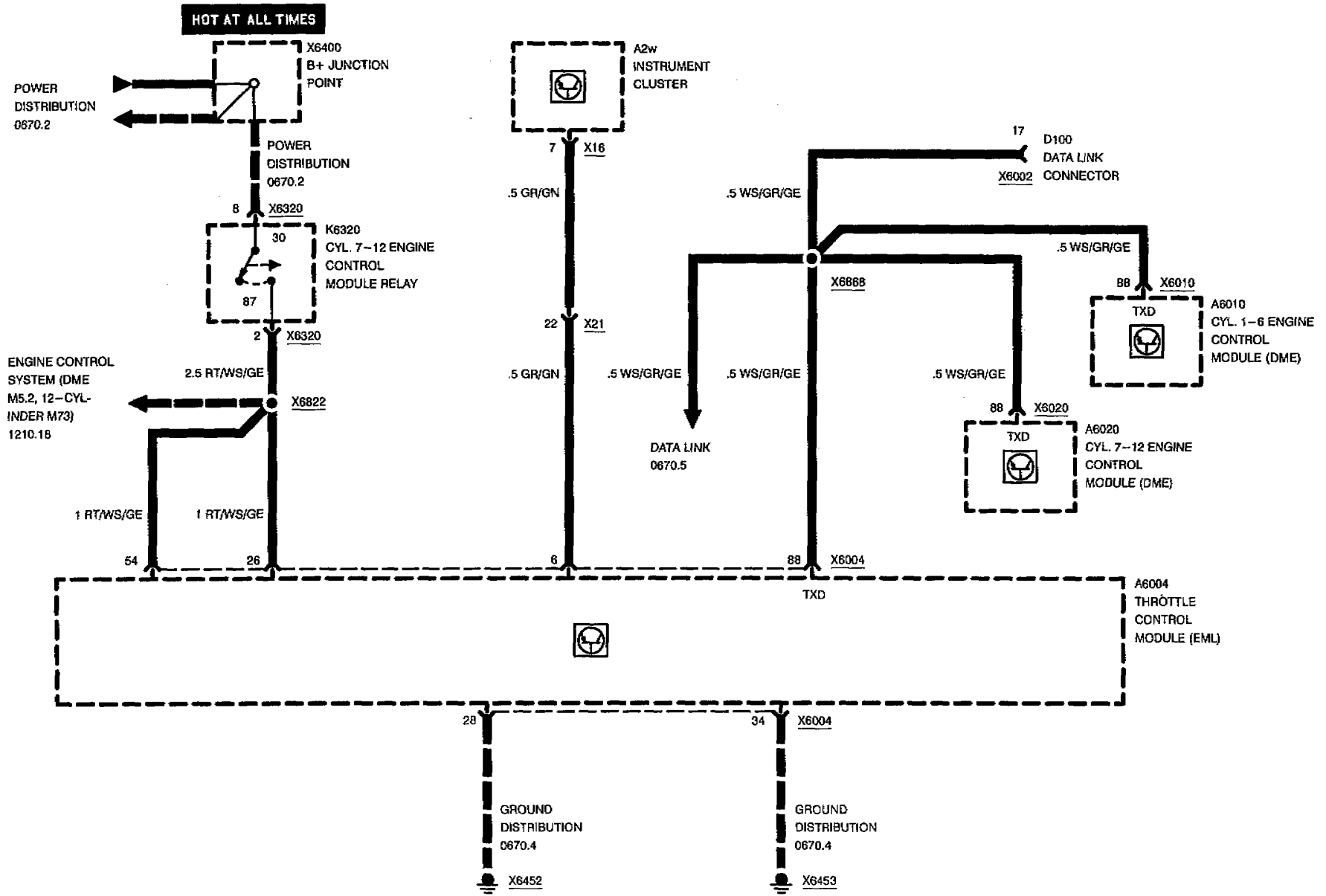
E = Input, A = Output, M = Ground

BMW
8

1270.2

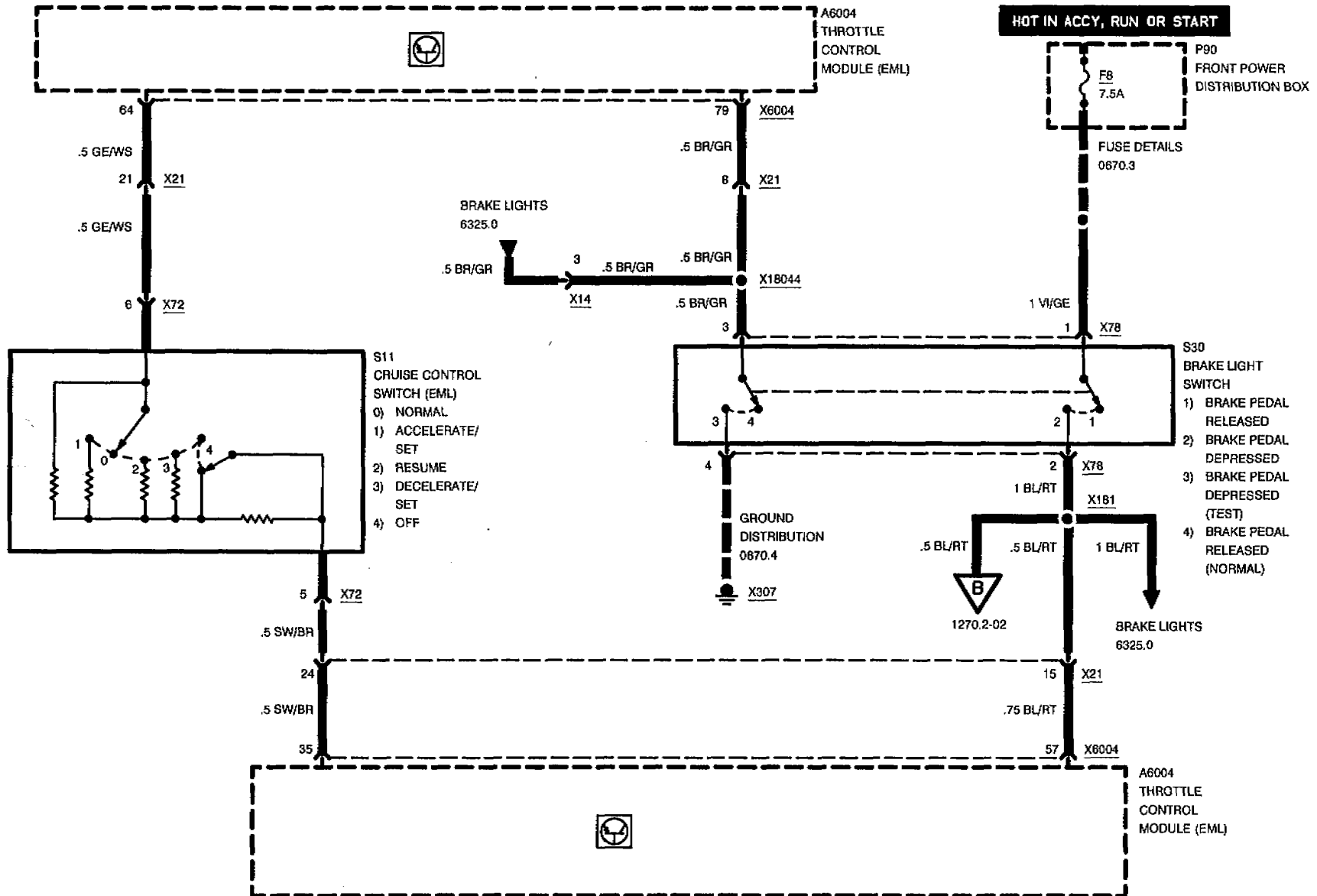


ELECTRONIC THROTTLE CONTROL (EML III, 12-CYLINDER)



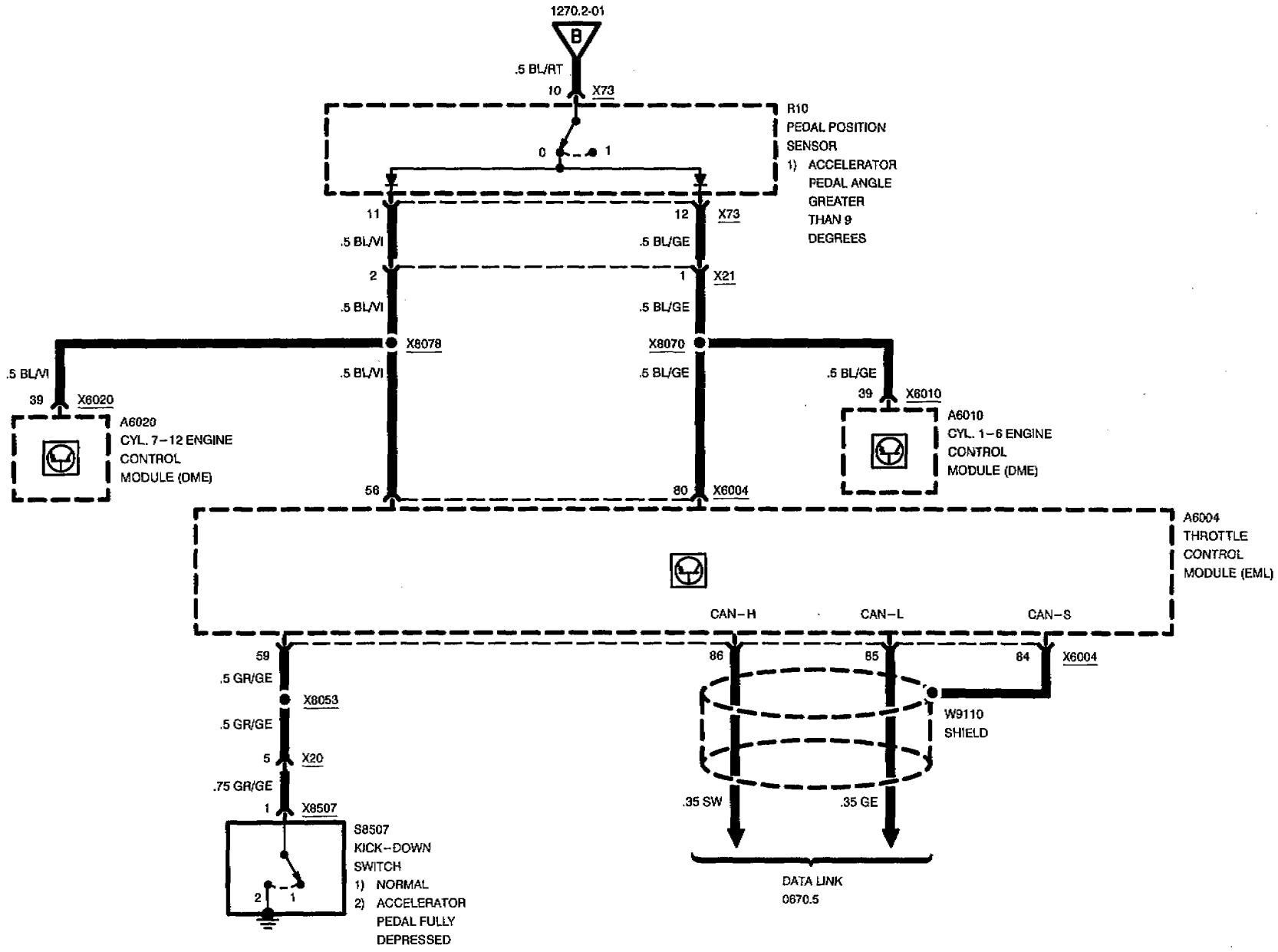


ELECTRONIC THROTTLE CONTROL (EML IIIS, 12-CYLINDER)



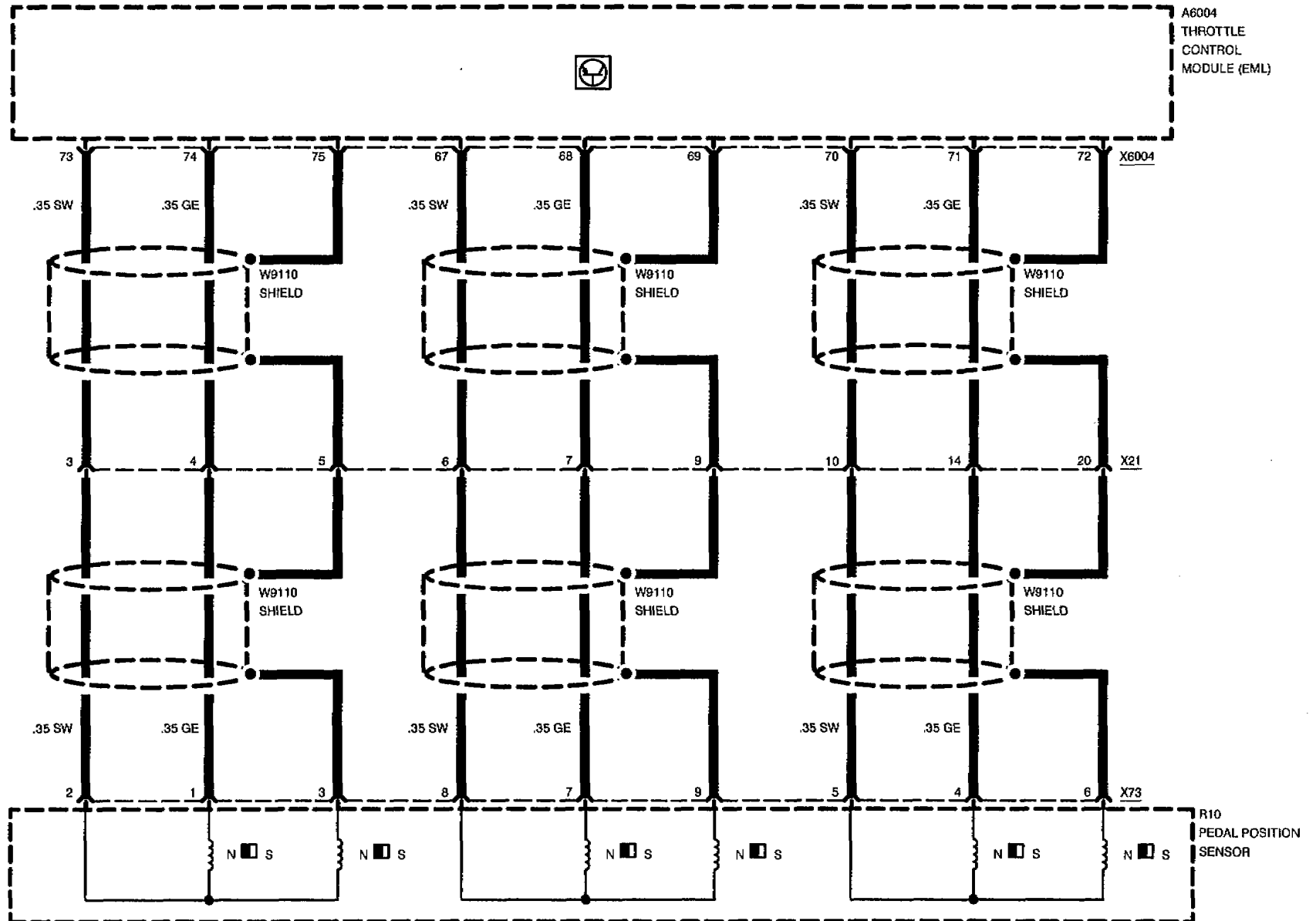


ELECTRONIC THROTTLE CONTROL (EML IIIS, 12-CYLINDER)



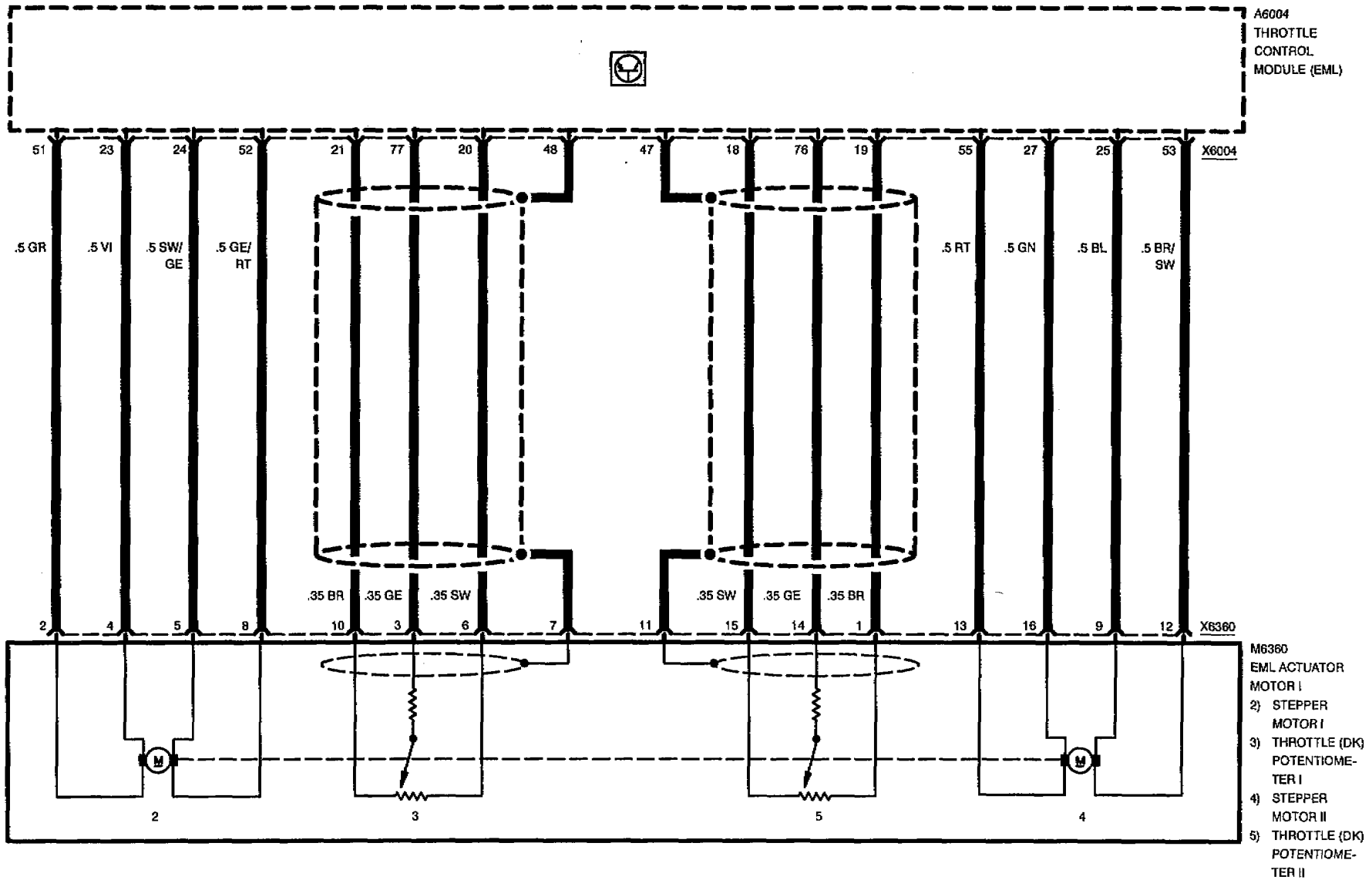


ELECTRONIC THROTTLE CONTROL (EML IIIS, 12-CYLINDER)



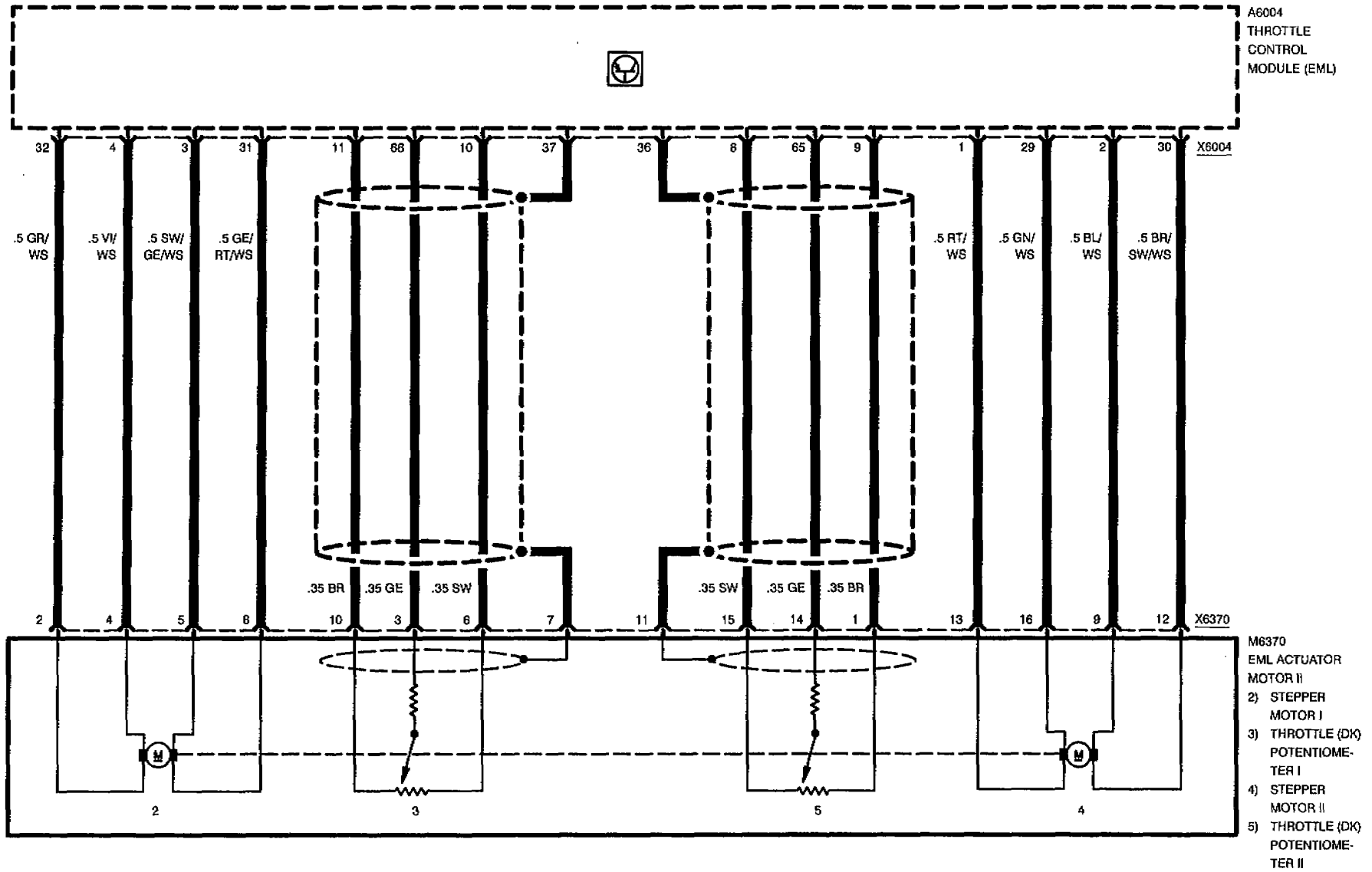


ELECTRONIC THROTTLE CONTROL (EML IIIS, 12-CYLINDER)



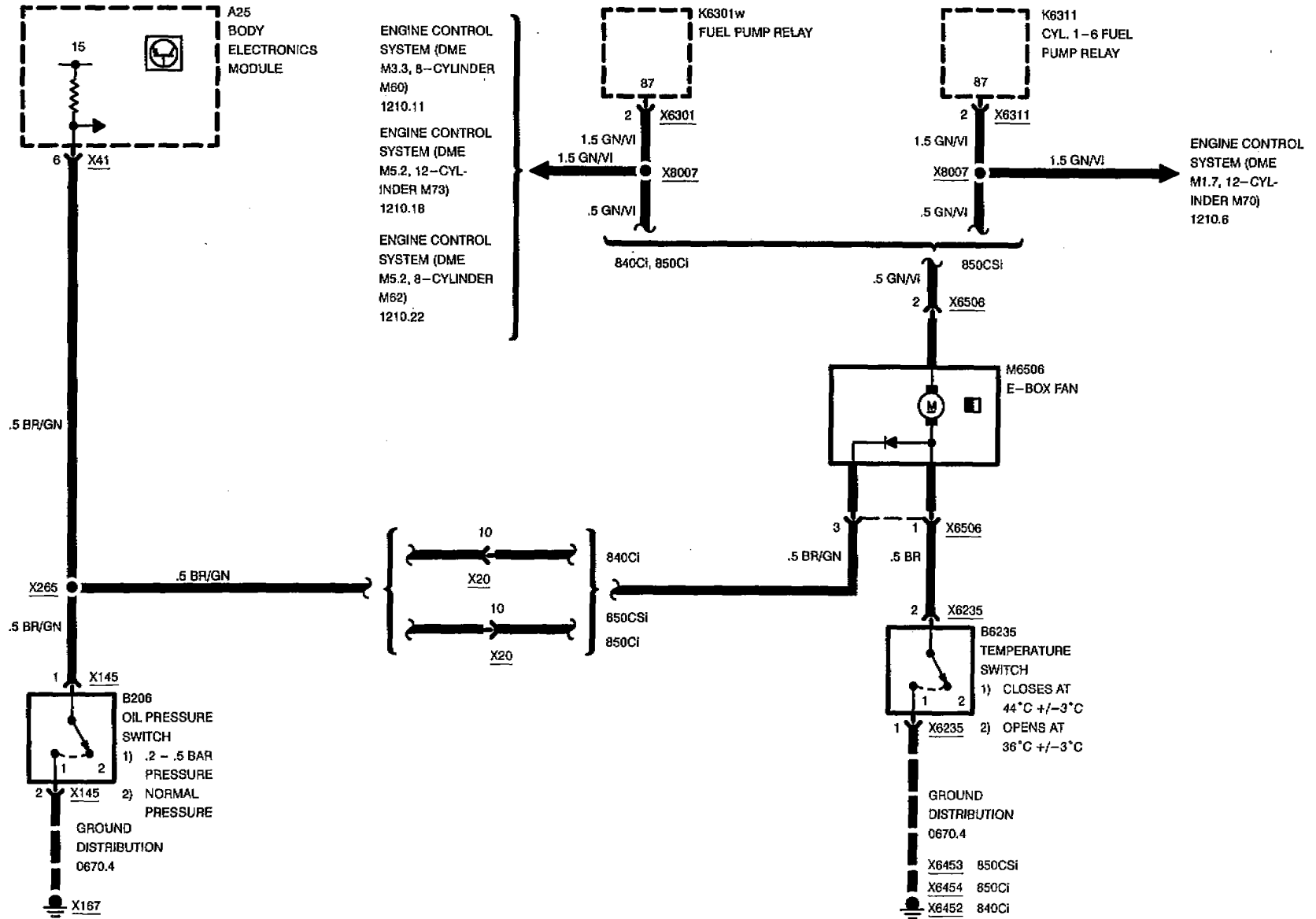


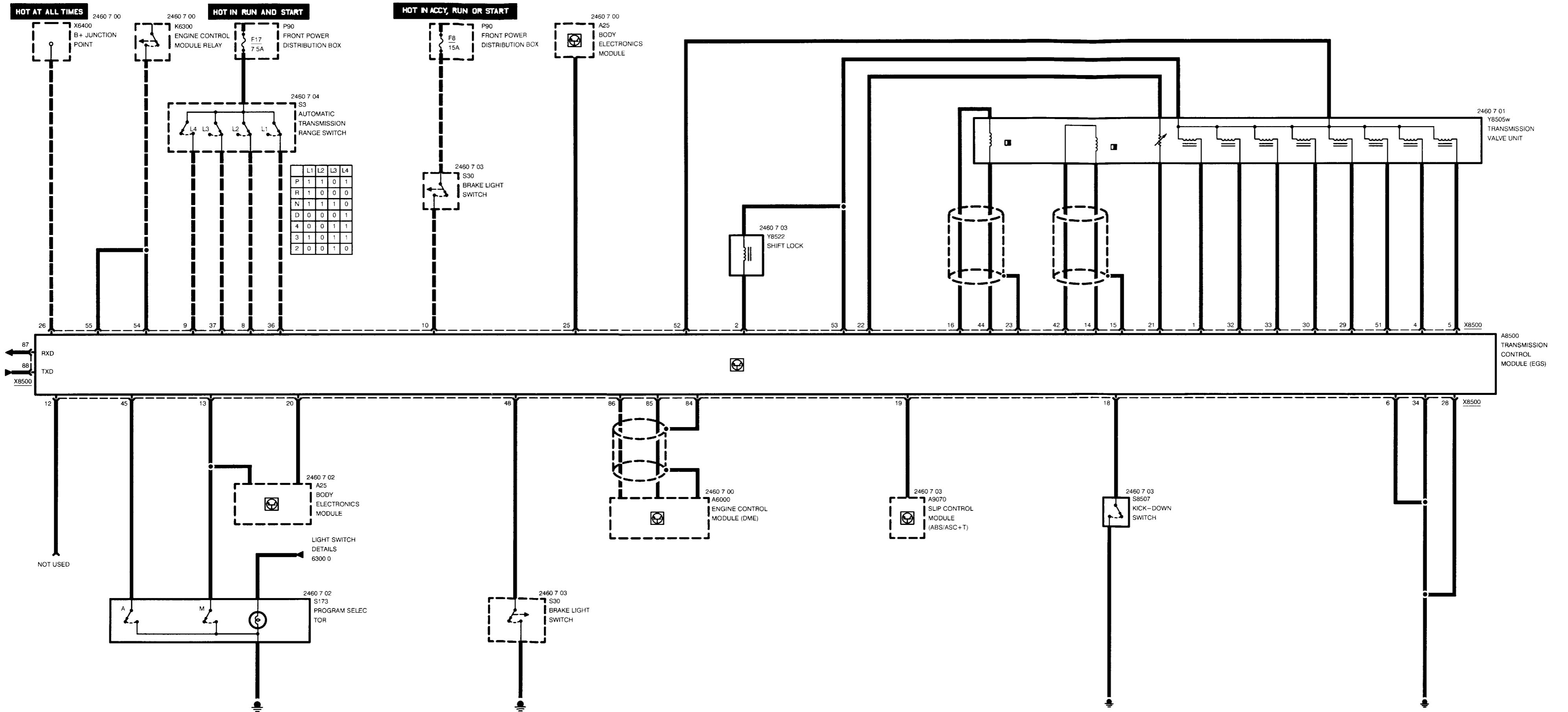
ELECTRONIC THROTTLE CONTROL (EML III S, 12-CYLINDER)





E-BOX FAN





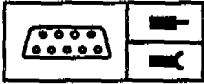


Pin Assignments

X8500

Pin	Type	Description/Function	Connection
1	A	Pressure regulator 2	Transmission gear shift unit, Y8505w
2	A	Shift lock solenoid	Shift lock solenoid, Y19
3		Not used	
4	A	Pressure regulator 4	Transmission gear shift unit, Y8505w
5	A	Pressure regulator 1	Transmission gear shift unit, Y8505w
6	M	Ground	Ground point
7		Not used	
8	E	Position switch L2	Automatic transmission range switch, S3
9	E	Position switch L4	Automatic transmission range switch, S3
10	E	Brake light	Brake light switch, S30
11		Not used	
12	E	Program S	Not used
13	E/A	Program manual	Program switch, S173
14	E	Maximum speed sensor n-ab (-)	Transmission gear shift unit, Y8505w
15	M	Shield shaft speed sensor	Shield to transmission gear shift unit
16	E	Speed sensor turbine n-T (+)	Transmission gear shift unit, Y8505w
17		Not used	
18	E	Kick down	Kick down switch, S8507
19	E	ASC-Signal	Slip control module (ABS/ASC+T), A9070
20	A	Program manual	Body electronics module, A25
21	M	Ground, oil temperature sensor (-)	Transmission gear shift unit, Y8505w
22	E	Oil temperature sensor (+)	Transmission gear shift unit, Y8505w
23	M	Shield speed sensor turbine	Shield to transmission gear shift unit
24		Not used	
25	A	Fault display	Body electronics module, A25
26	E	Plus supply (terminal 30)	B+ junction point, X6400
27		Not used	
28	M	Ground (electronic)	Ground point
29	A	Pressure regulator 3	Transmission gear shift unit, Y8505w
30	A	Solenoid valve 1	Transmission gear shift unit, Y8505w

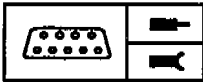
E = Input, A = Output, M = Ground



Pin Assignments

Pin	Type	Description/Function	Connection
31		Not used	
32	A	Solenoid valve 3	Transmission gear shift unit, Y8505w
33	A	Solenoid valve 2	Transmission gear shift unit, Y8505w
34	M	Ground	Ground point
35		Not used	
36	E	Position switch L1	Transmission range switch, S3
37	E	Position switch L3	Transmission range switch, S3
38		Not used	
39		Not used	
40		Not used	
41		Not used	
42	E	Output speed n-ab (+)	Transmission valve unit, Y8505w
43		Not used	
44	E	Speed sensor turbine n-T (-)	Transmission gear shift unit, Y8505w
45	E	Program automatic	Program switch, S173
46		Not used	
47		Not used	
48	E	Brake test	Brake light switch, S30
49		Not used	
50		Not used	
51	A	Pressure regulator 5	Transmission gear shift unit, Y8505w
52	A	Plus supply	Transmission gear shift unit, Y8505w
53	A	Plus supply	Transmission gear shift unit, Y8505w
54	E	Plus supply (terminal 15)	Engine control module relay
55	E	Plus supply (terminal 15)	Engine control module relay
56		Not used	
57		Not used	
58		Not used	
59		Not used	
60		Not used	
61		Not used	
62		Not used	

E = Input, A = Output, M = Ground



Pin Assignments

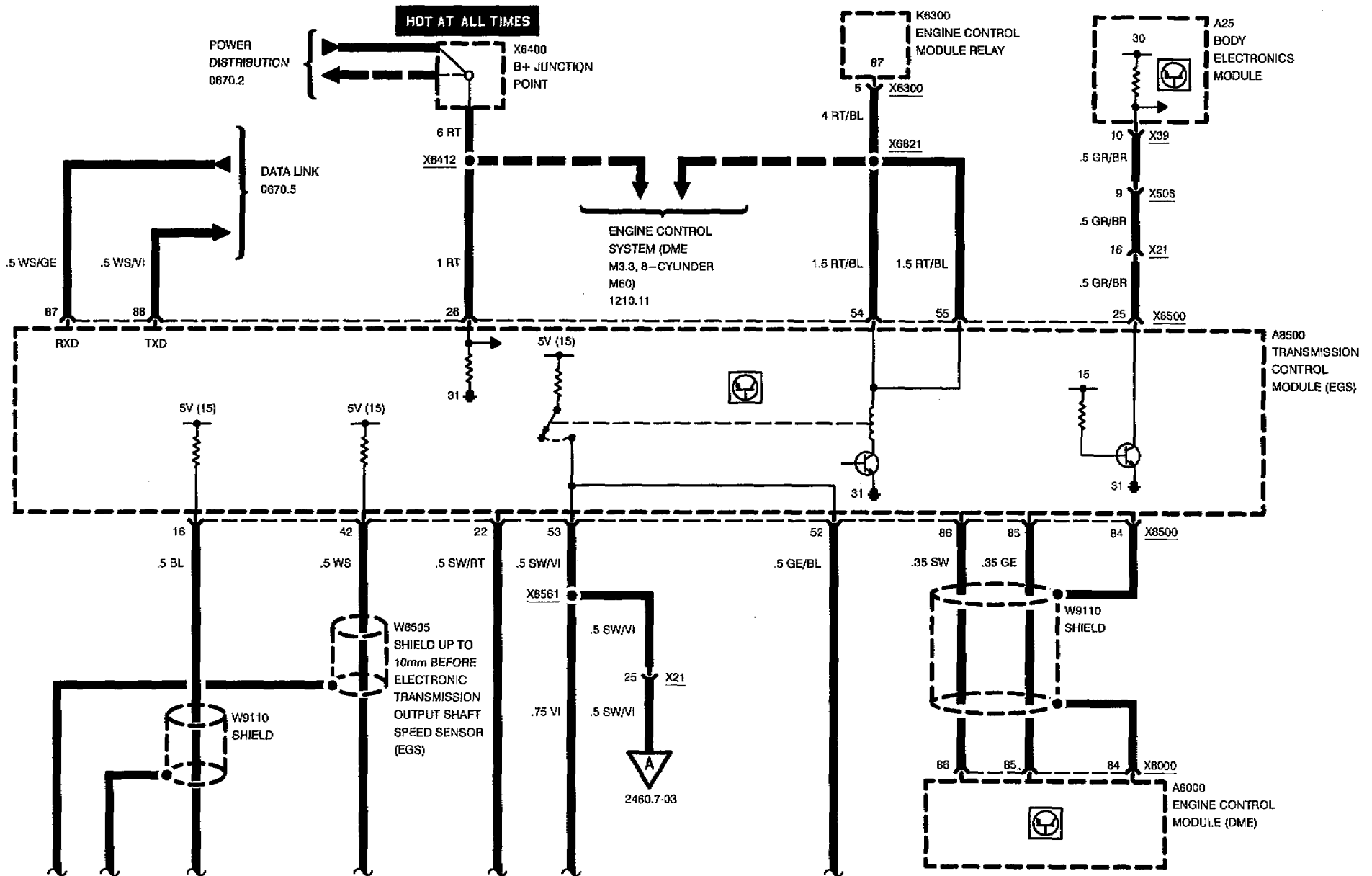
Pin	Type	Description/Function	Connection
63		Not used	
64		Not used	
65		Not used	
66		Not used	
67		Not used	
68		Not used	
69		Not used	
70		Not used	
71		Not used	
72		Not used	
73		Not used	
74		Not used	
75		Not used	
76		Not used	
77		Not used	
78		Not used	
79		Not used	
80		Not used	
81		Not used	
82		Not used	
83		Not used	
84	M	Ground shield	Engine control module, A6000
85	E/A	CAN-L	Engine control module, A6000
86	E/A	CAN-H	Engine control module, A6000
87	E	RxD	Data link connector, RxD
88	E/A	TxD	Data link connector, TxD

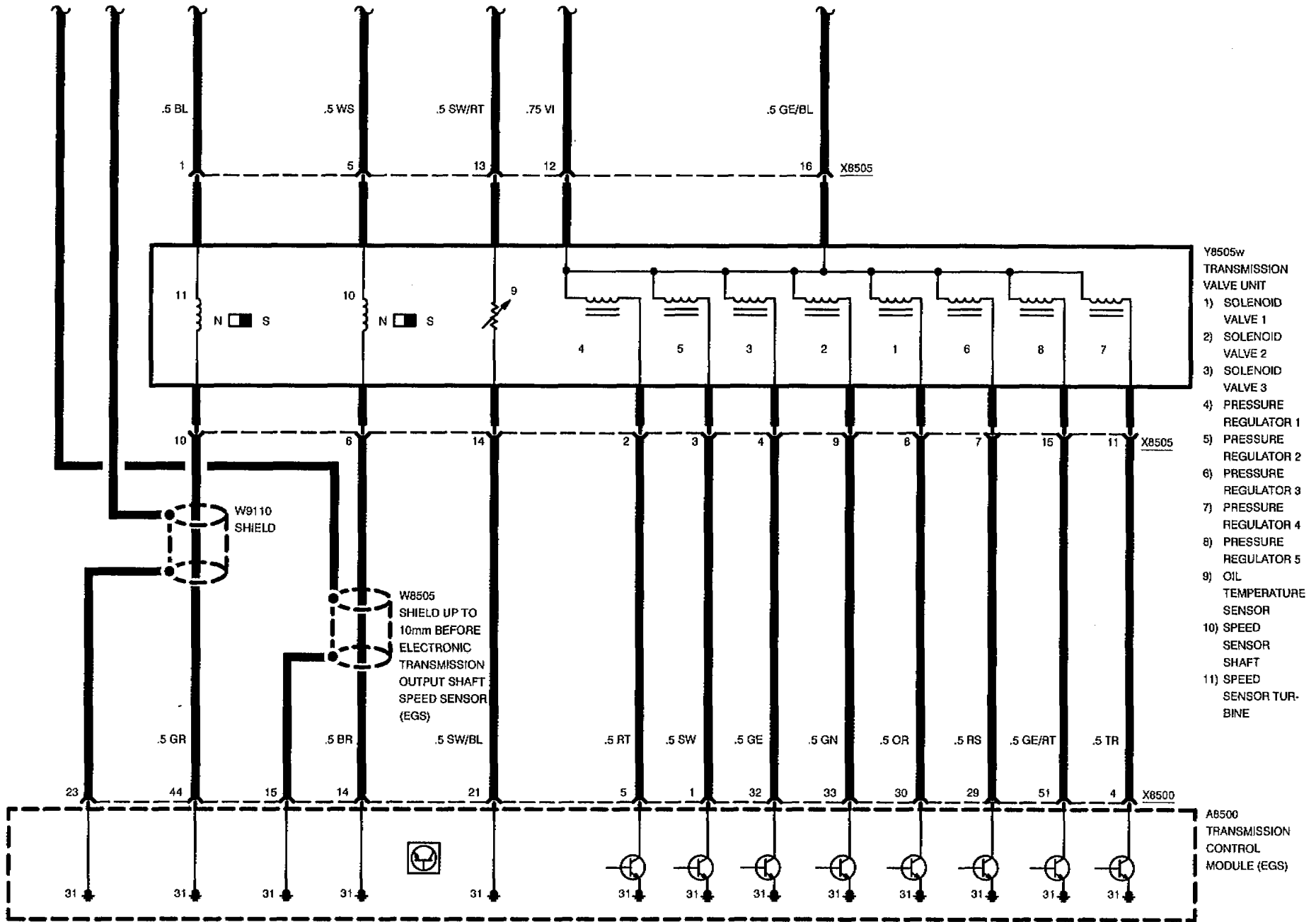
E = Input, A = Output, M = Ground



ELECTRONIC TRANSMISSION CONTROL (EGS: GS 9.20/A5S 560Z)

840Ci (M60)





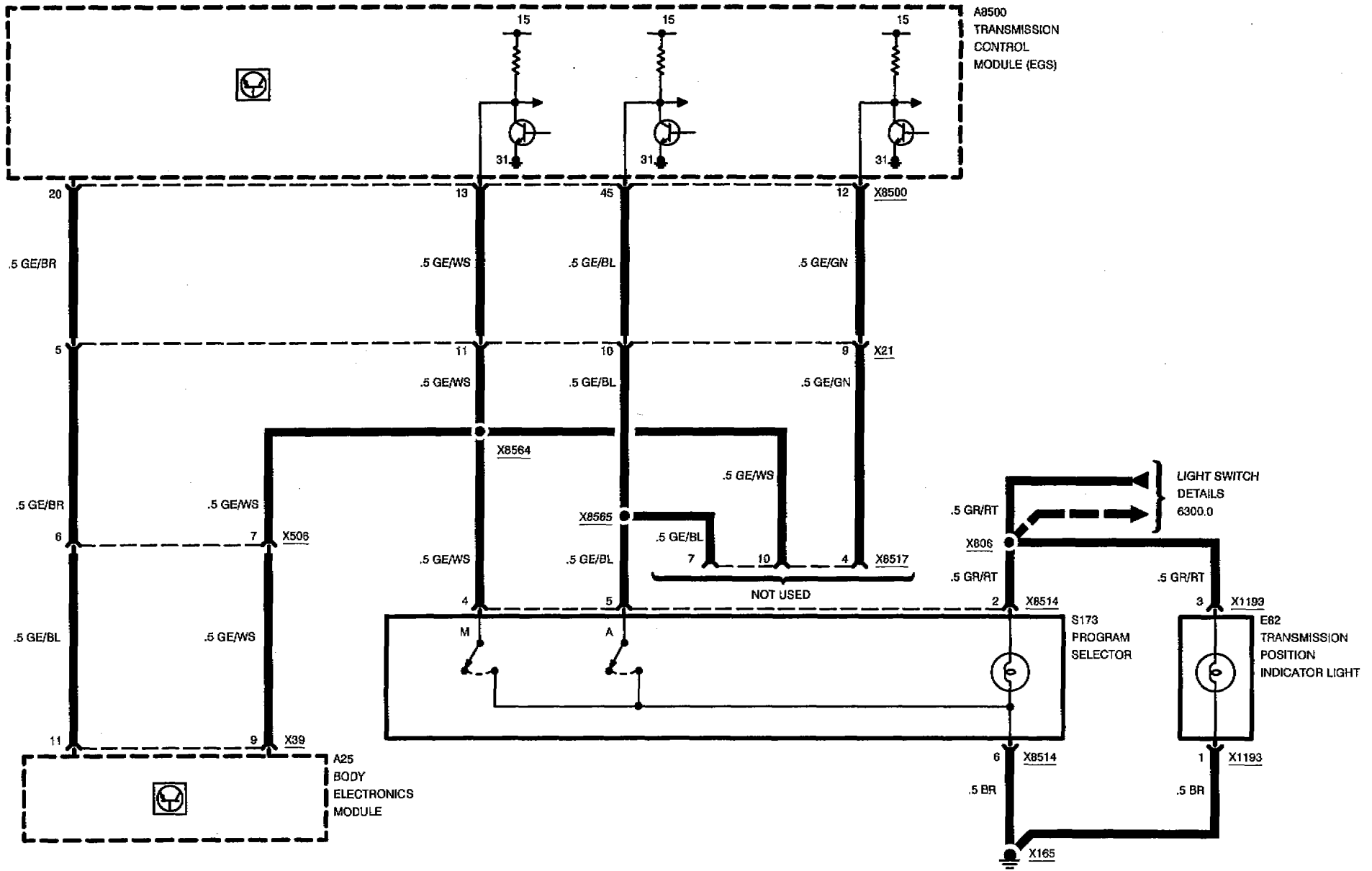
- Y8505w
TRANSMISSION
VALVE UNIT
- 1) SOLENOID VALVE 1
 - 2) SOLENOID VALVE 2
 - 3) SOLENOID VALVE 3
 - 4) PRESSURE REGULATOR 1
 - 5) PRESSURE REGULATOR 2
 - 6) PRESSURE REGULATOR 3
 - 7) PRESSURE REGULATOR 4
 - 8) PRESSURE REGULATOR 5
 - 9) OIL TEMPERATURE SENSOR
 - 10) SPEED SENSOR SHAFT
 - 11) SPEED SENSOR TURBINE

A8500
TRANSMISSION
CONTROL
MODULE (EGS)



ELECTRONIC TRANSMISSION CONTROL (EGS: GS 9.20/A5S 560Z)

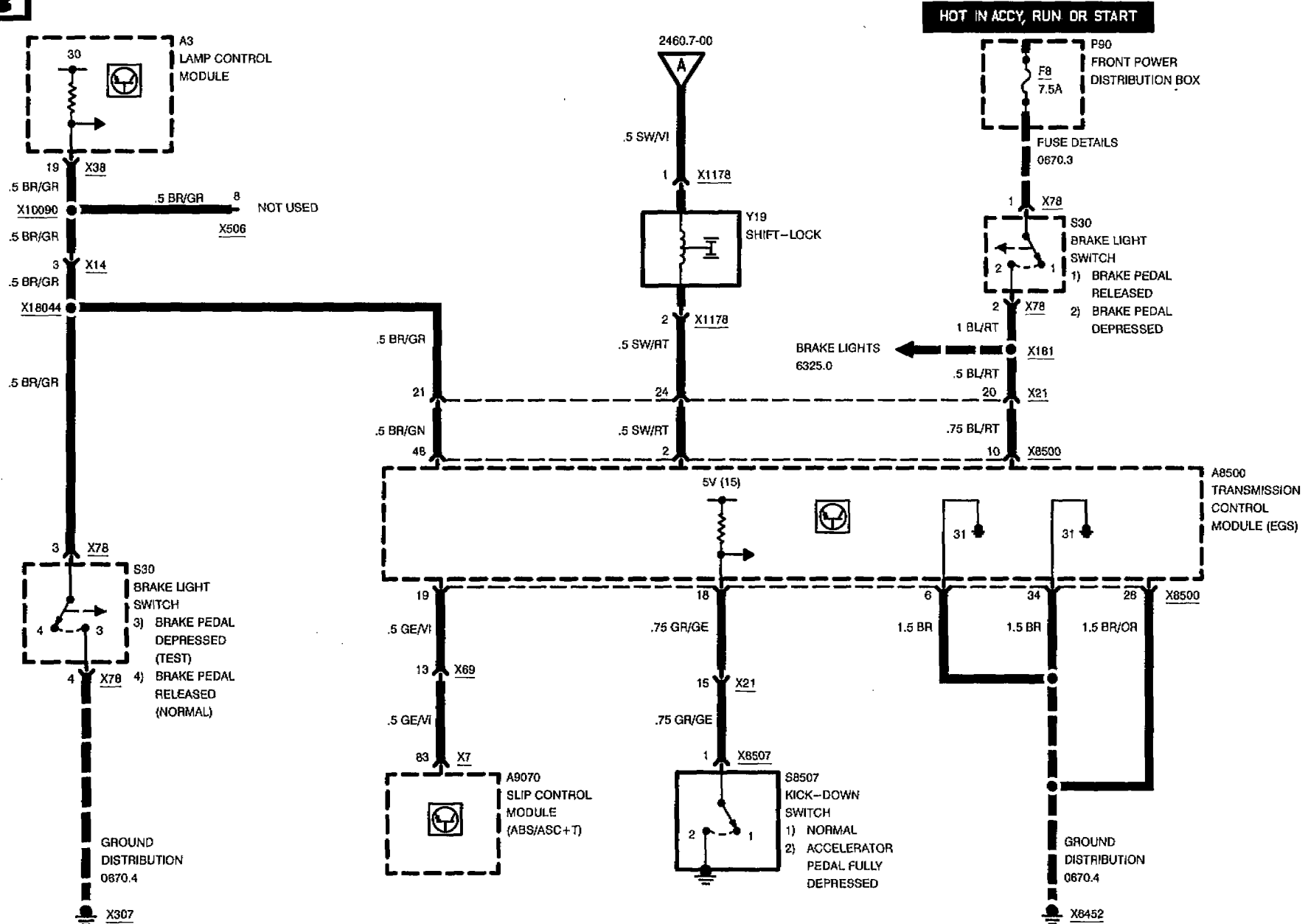
840Ci (M60)





ELECTRONIC TRANSMISSION CONTROL (EGS: GS 9.20/A5S 560Z)

840Ci (M60)



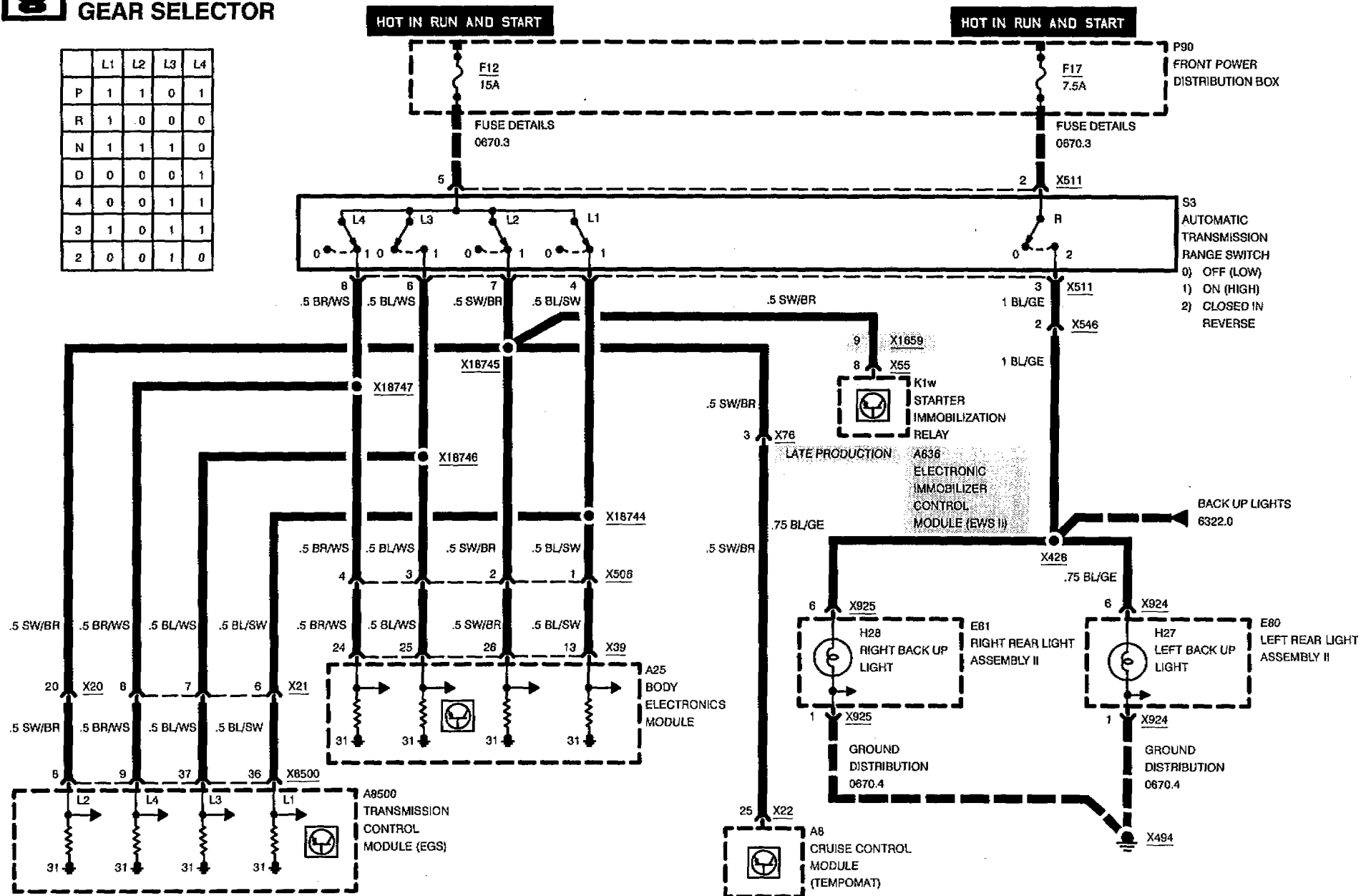


ELECTRONIC TRANSMISSION CONTROL (EGS: GS 9.20/A5S 560Z)

840Ci (M60)

GEAR SELECTOR

	L1	L2	L3	L4
P	1	1	0	1
R	1	0	0	0
N	1	1	1	0
D	0	0	0	1
4	0	0	1	1
3	1	0	1	1
2	0	0	1	0

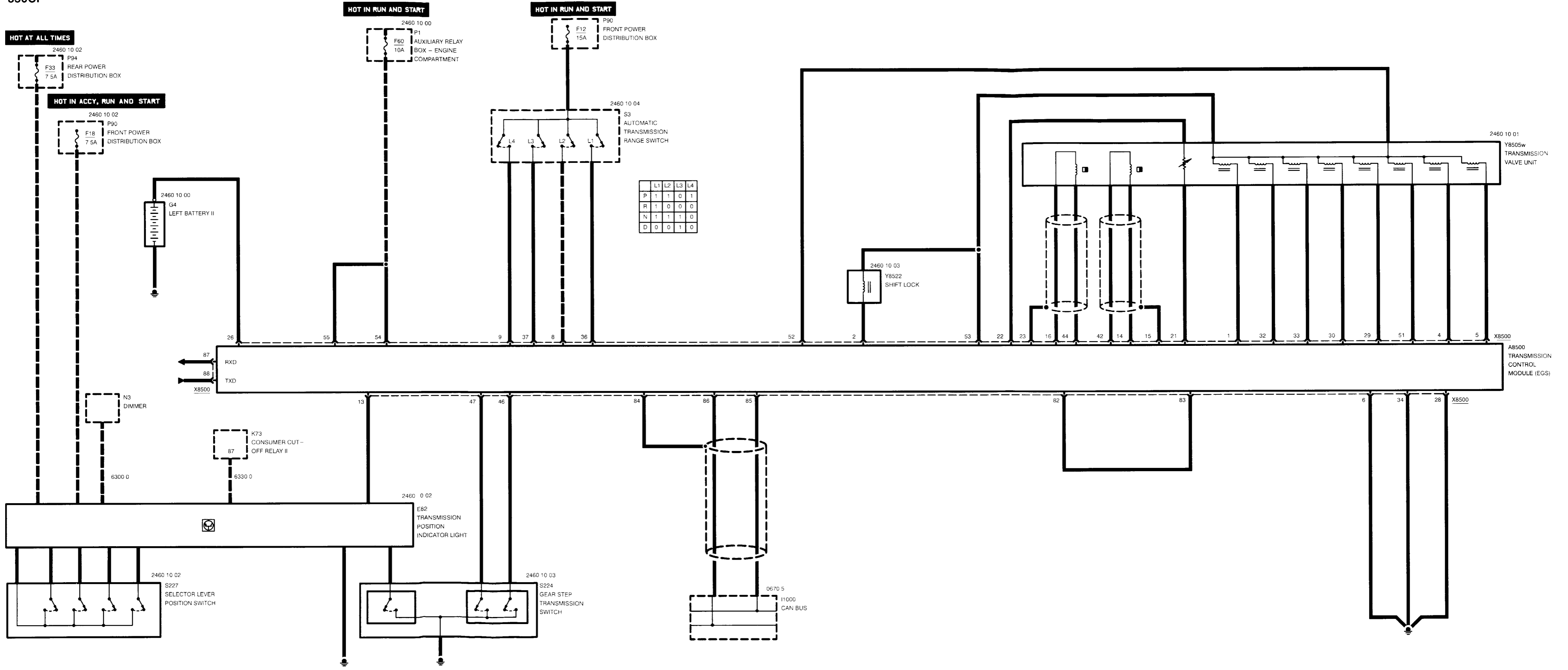


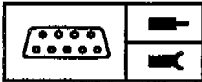
02/97

2460.7-04

95/96

850Ci



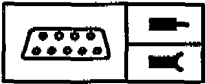


Pin Assignments 850Ci

X6000

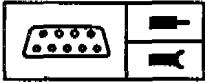
Pin	Type	Description/Function	Connection
1	A	Pressure regulator 2	Transmission valve unit, Y8505w
2	A	Shift lock solenoid	Shift lock solenoid, Y19
3		Not used	
4	A	Pressure regulator 4	Transmission valve unit, Y8505w
5	A	Pressure regulator 1	Transmission valve unit, Y8505w
6	M	Ground	Ground point
7		Not used	
8	E	Position switch L2	Automatic transmission range switch, S3
9	E	Position switch L4	Automatic transmission range switch, S3
10		Not used	
11		Not used	
12		Not used	
13	E	Manual or automatic transmission	Transmission position indicator light
14	E	Maximum speed sensor n-ab (-)	Transmission valve unit, Y8505w
15	M	Shield	Shield to transmission valve unit
16	E	Speed sensor turbine n-T (+)	Transmission valve unit, Y8505w
17		Not used	
18		Not used	
19		Not used	
20		Not used	
21	M	Ground, oil temperature sensor (-)	Transmission valve unit, Y8505w
22	E	Oil temperature sensor (+)	Transmission valve unit, Y8505w
23	M	Shield	Shield to transmission valve unit
24		Not used	
25		Not used	
26	E	Plus supply (terminal 30)	Left battery
27		Not used	
28	M	Ground (electronic)	Ground point
29	A	Pressure regulator 3	Transmission valve unit, Y8505w
30	A	Solenoid valve 1	Transmission valve unit, Y8505w

E = Input, A = Output, M = Ground

**Pin Assignments 850Ci**

Pin	Type	Description/Function	Connection
31		Not used	
32	A	Solenoid valve 3	Transmission valve unit, Y8505w
33	A	Solenoid valve 2	Transmission valve unit, Y8505w
34	M	Ground	Ground point
35		Not used	
36	E	Position switch L1	Automatic transmission range switch, S3
37	E	Position switch L3	Automatic transmission range switch, S3
38		Not used	
39		Not used	
40		Not used	
41		Not used	
42	E	Output speed n-ab (+)	Transmission valve unit, Y8505w
43		Not used	
44	E	Speed sensor turbine n-T (-)	Transmission valve unit, Y8505w
45		Not used	
46	E	Tip up	Gear step transmission switch
47	E	Tip down	Gear step transmission switch
48		Not used	
49		Not used	
50		Not used	
51	A	Pressure regulator 5	Transmission valve unit, Y8505w
52	A	Plus supply	Transmission valve unit, Y8505w
53	A	Plus supply	Transmission valve unit, Y8505w
54	A	Plus supply (terminal 15)	Fuse 60
55	A	Plus supply (terminal 15)	Fuse 60
56		Not used	
57		Not used	
58		Not used	
59		Not used	
60		Not used	
61		Not used	
62		Not used	

E = Input, A = Output, M = Ground



Pin Assignments 850Ci

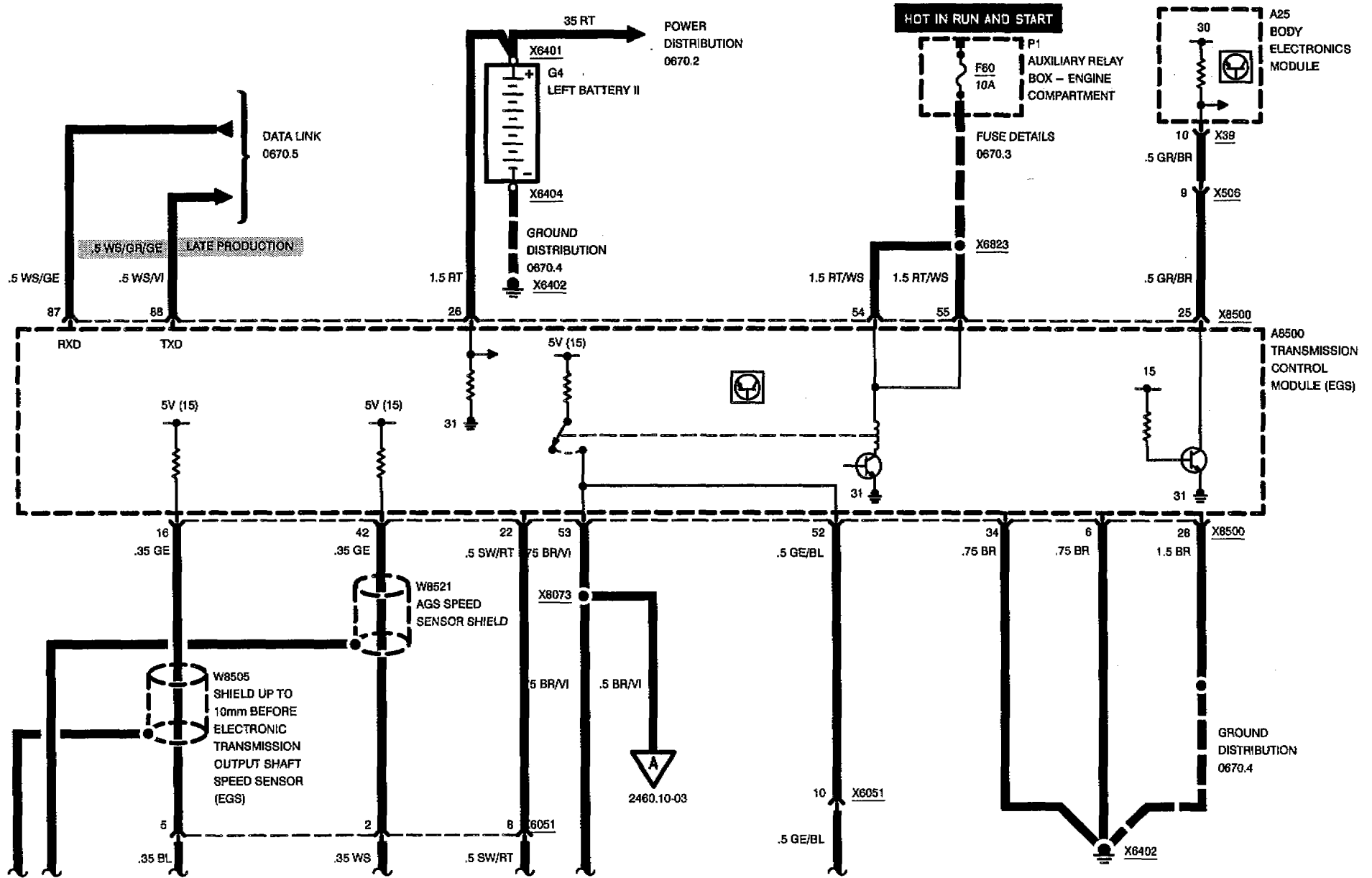
Pin	Type	Description/Function	Connection
63		Not used	
64		Not used	
65		Not used	
66		Not used	
67		Not used	
68		Not used	
69		Not used	
70		Not used	
71		Not used	
72		Not used	
73		Not used	
74		Not used	
75		Not used	
76		Not used	
77		Not used	
78		Not used	
79		Not used	
80		Not used	
81		Not used	
82	E/A	Jumper plug	
83	E/A	Jumper plug	
84	M	CANCA-S	Shield
85	E/A	CANCA-L	CAN BUS
86	E/A	CANCA-H	CAN BUS
87	E	RxD	Data link connector, RxD
88	E/A	TxD	Data link connector, TxD

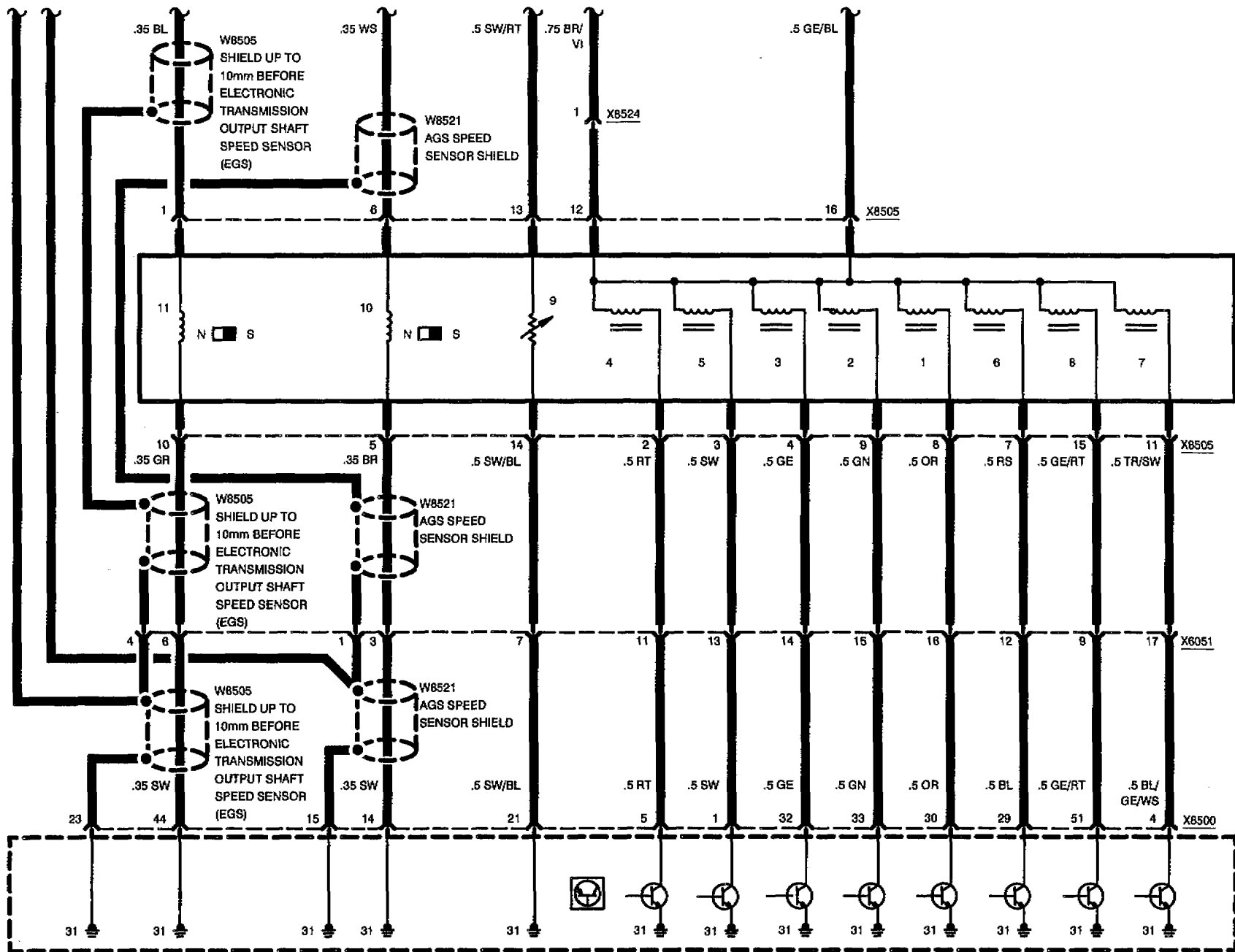
E = Input, A = Output, M = Ground



ELECTRONIC TRANSMISSION CONTROL (EGS: GS 9.22/AS5 560Z)

850Ci





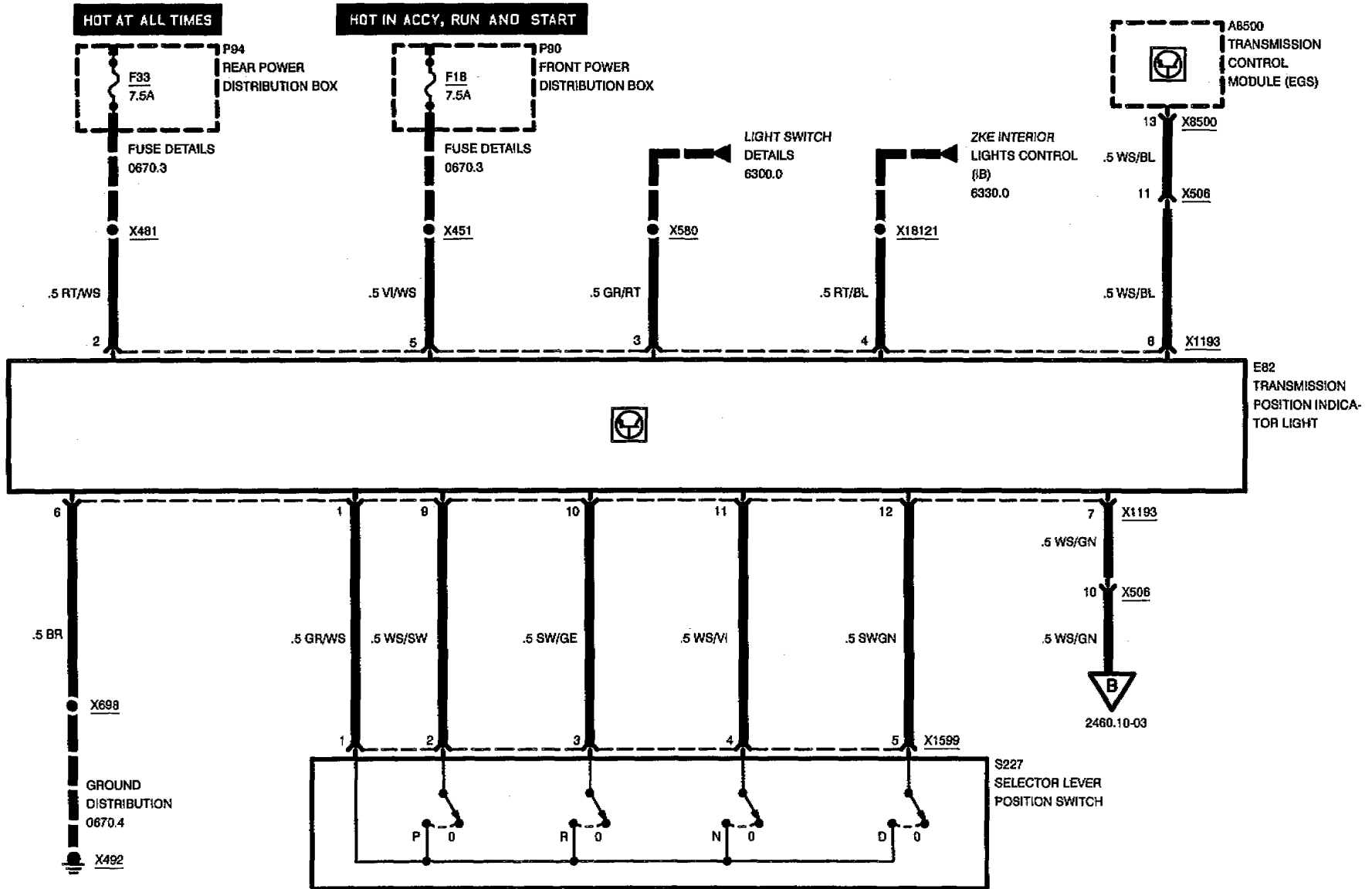
- Y8505w
TRANSMISSION
VALVE UNIT
- 1) SOLENOID VALVE 1
 - 2) SOLENOID VALVE 2
 - 3) SOLENOID VALVE 3
 - 4) PRESSURE REGULATOR 1
 - 5) PRESSURE REGULATOR 2
 - 6) PRESSURE REGULATOR 3
 - 7) PRESSURE REGULATOR 4
 - 8) PRESSURE REGULATOR 5
 - 9) OIL TEMPERATURE SENSOR
 - 10) SPEED SENSOR SHAFT
 - 11) SPEED SENSOR TURBINE

A8500
TRANSMISSION
CONTROL
MODULE (EGS)



ELECTRONIC TRANSMISSION CONTROL (EGS: GS 9.22/AS5 560Z)

850CI

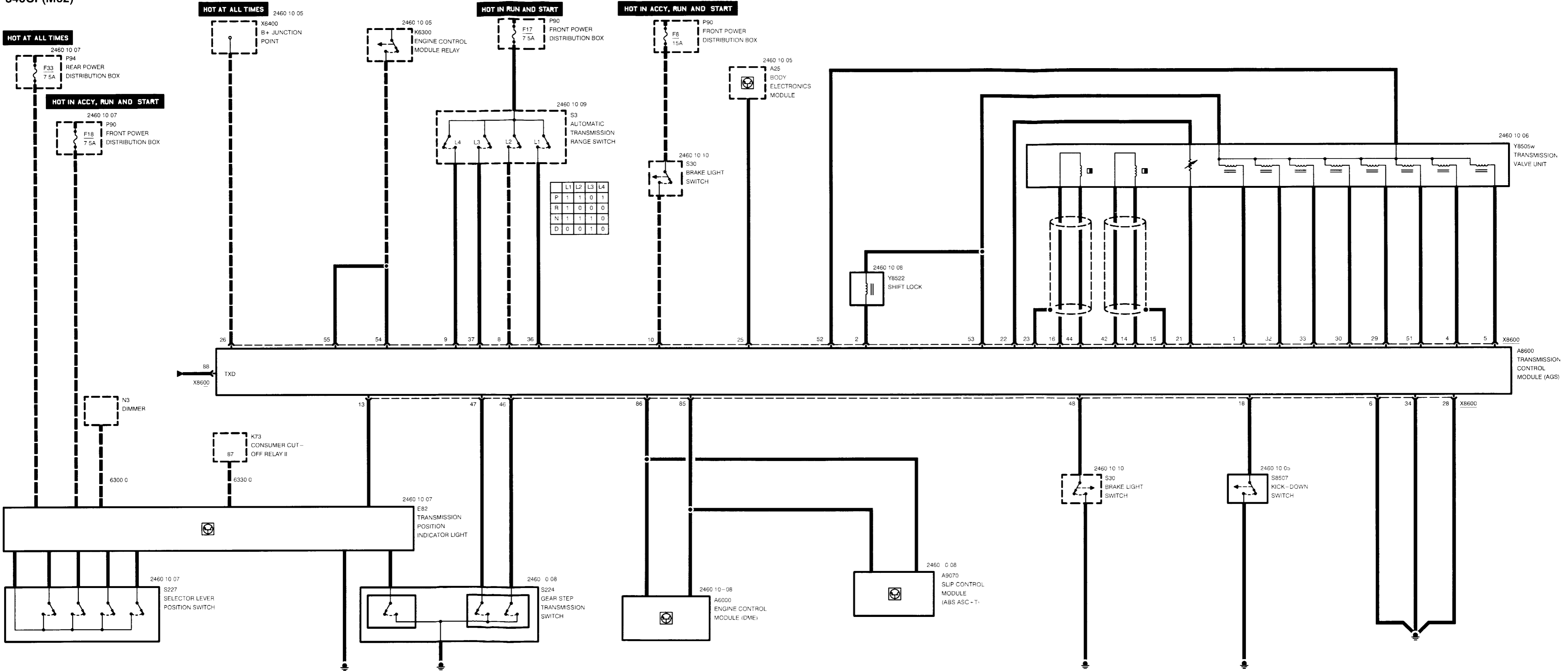


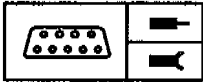
02/97

2460.10-02

95/96

840C1 (M62)



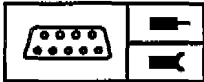


Pin Assignments 840Ci (M62)

X6000

Pin	Type	Description/Function	Connection
1	A	Pressure regulator 2	Transmission valve unit, Y8505w
2	A	Shift lock solenoid	Shift lock solenoid, Y19
3		Not used	
4	A	Pressure regulator 4	Transmission valve unit, Y8505w
5	A	Pressure regulator 1	Transmission valve unit, Y8505w
6	M	Ground	Ground point
7		Not used	
8	E	Position switch L2	Automatic transmission range switch, S3
9	E	Position switch L4	Automatic transmission range switch, S3
10	E	Brake light	Brake light switch, S30
11		Not used	
12		Not used	
13	E	Manual or automatic transmission	Transmission position indicator light
14	E	Maximum speed sensor n-ab (-)	Transmission valve unit, Y8505w
15	M	Shield	Shield to transmission valve unit
16	E	Speed sensor turbine n-T (+)	Transmission valve unit, Y8505w
17		Not used	
18	E	Kick down	Kick down switch, S8507
19		Not used	
20		Not used	
21	M	Ground, oil temperature sensor (-)	Transmission valve unit, Y8505w
22	E	Oil temperature sensor (+)	Transmission valve unit, Y8505w
23	M	Shield	Shield to transmission valve unit
24		Not used	
25	A	Fault display	Body electronics module, A25
26	E	Plus supply (terminal 30)	B+ junction point, X6400
27		Not used	
28	M	Ground (electronic)	Ground point
29	A	Pressure regulator 3	Transmission valve unit, Y8505w
30	A	Solenoid valve 1	Transmission valve unit, Y8505w

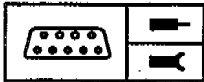
E = Input, A = Output, M = Ground



Pin Assignments 840Ci (M62)

Pin	Type	Description/Function	Connection
31		Not used	
32	A	Solenoid valve 3	Transmission valve unit, Y8505w
33	A	Solenoid valve 2	Transmission valve unit, Y8505w
34	M	Ground	Ground point
35		Not used	
36	E	Position switch L1	Automatic transmission range switch, S3
37	E	Position switch L3	Automatic transmission range switch, S3
38		Not used	
39		Not used	
40		Not used	
41		Not used	
42	E	Output speed n-ab (+)	Transmission valve unit, Y8505w
43		Not used	
44	E	Speed sensor turbine n-T (-)	Transmission valve unit, Y8505w
45		Not used	
46	E	Tip up	Gear step transmission switch
47	E	Tip down	Gear step transmission switch
48		Not used	
49		Not used	
50		Not used	
51	A	Pressure regulator 5	Transmission valve unit, Y8505w
52	A	Plus supply	Transmission valve unit, Y8505w
53	A	Plus supply	Transmission valve unit, Y8505w
54	A	Plus supply (terminal 15)	Fuse 60
55	A	Plus supply (terminal 15)	Fuse 60
56		Not used	
57		Not used	
58		Not used	
59		Not used	
60		Not used	
61		Not used	
62		Not used	

E = Input, A = Output, M = Ground

**Pin Assignments 840Ci (M62)**

Pin	Type	Description/Function	Connection
63		Not used	
64		Not used	
65		Not used	
66		Not used	
67		Not used	
68		Not used	
69		Not used	
70		Not used	
71		Not used	
72		Not used	
73		Not used	
74		Not used	
75		Not used	
76		Not used	
77		Not used	
78		Not used	
79		Not used	
80		Not used	
81		Not used	
82		Not used	
83		Not used	
84		Not used	
85	E/A	CANCA-L	Engine control module, slip control module
86	E/A	CANCA-H	Engine control module, slip control module
87		Not used	
88	E/A	TxD	Data link connector, TxD

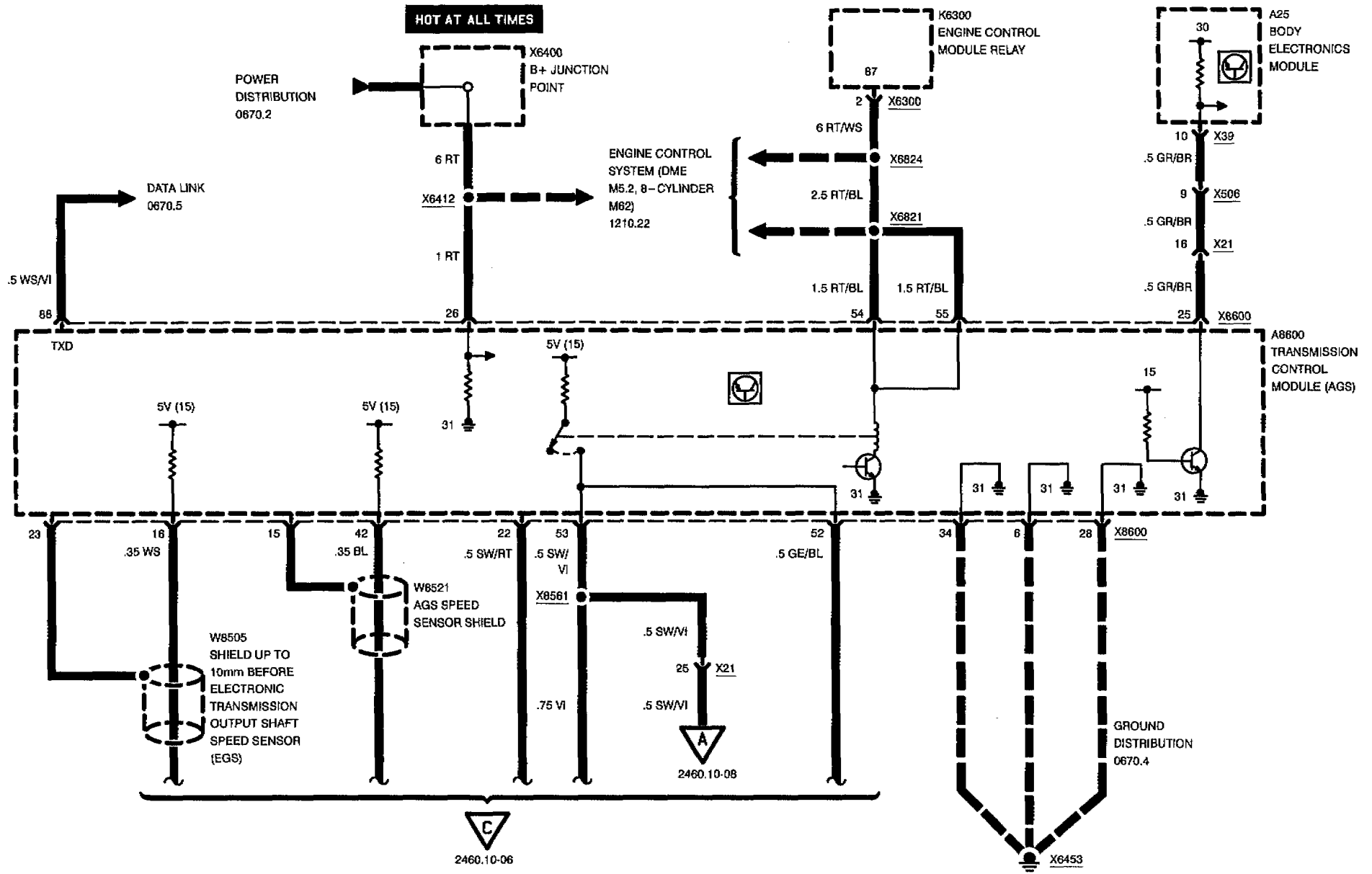
E = Input, A = Output, M = Ground

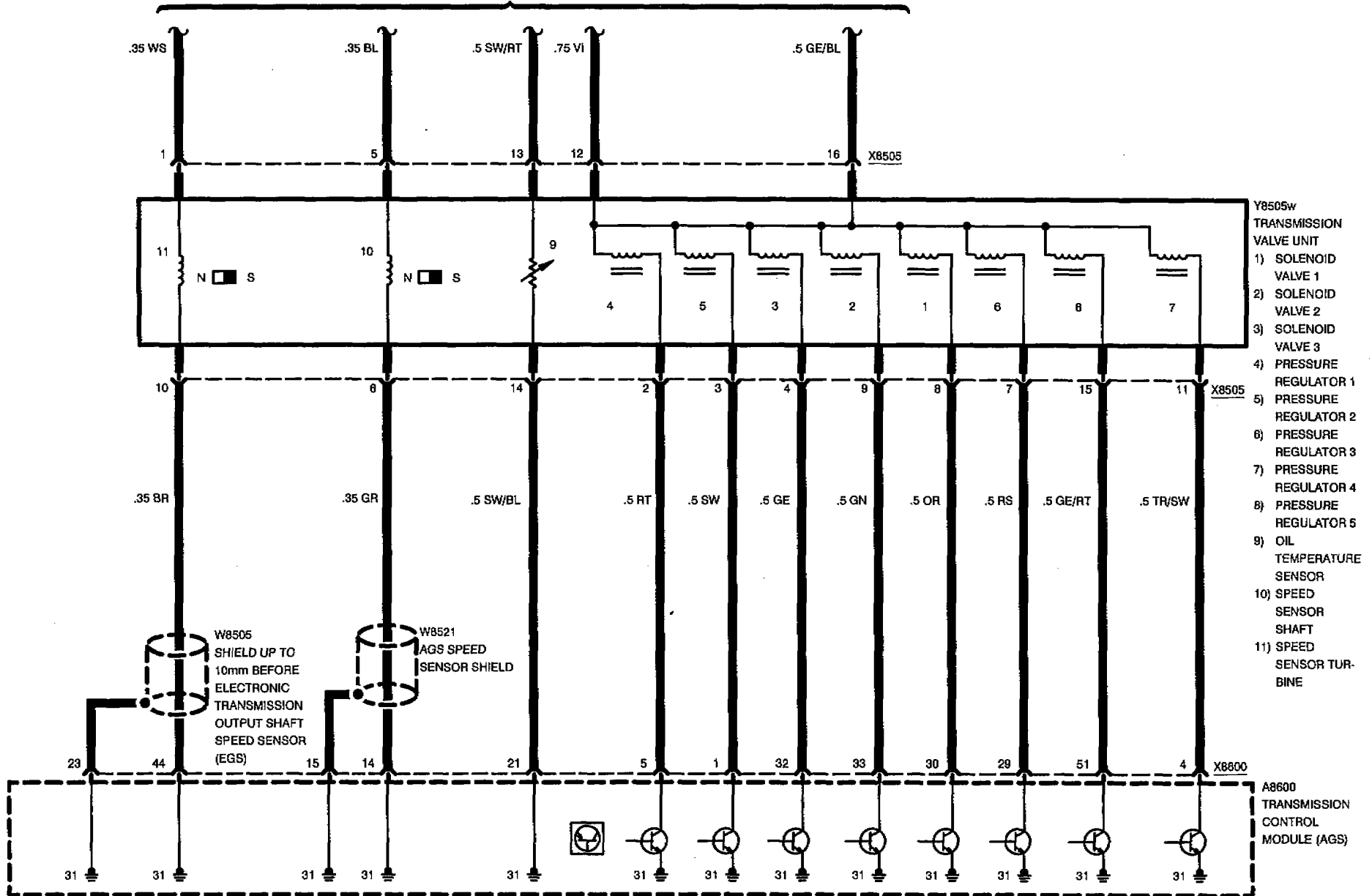




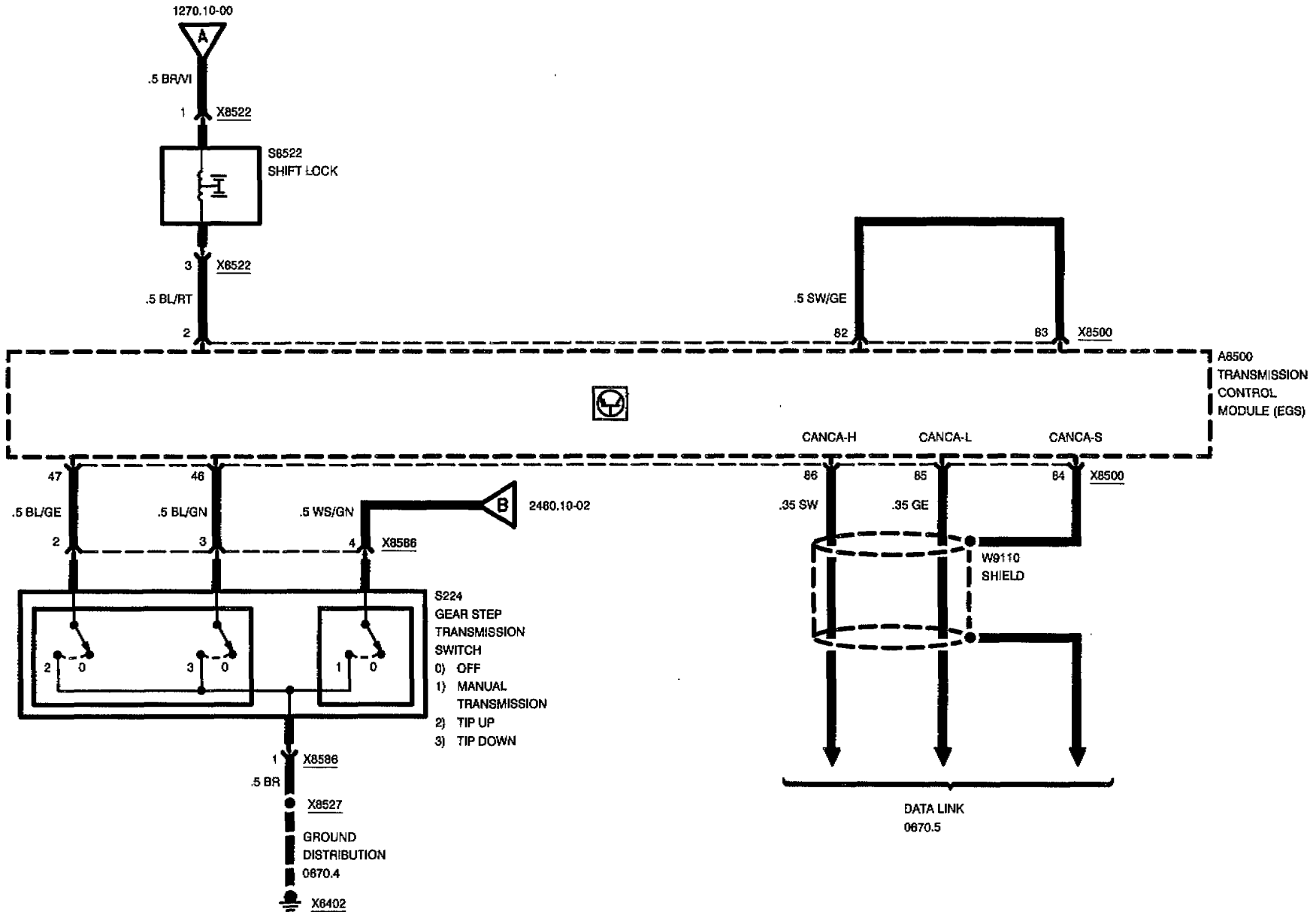
ELECTRONIC TRANSMISSION CONTROL (EGS: GS 9.22/AS5 560Z)

840Ci (M62)





- Y8505w
TRANSMISSION
VALVE UNIT
- 1) SOLENOID VALVE 1
 - 2) SOLENOID VALVE 2
 - 3) SOLENOID VALVE 3
 - 4) PRESSURE REGULATOR 1
 - 5) PRESSURE REGULATOR 2
 - 6) PRESSURE REGULATOR 3
 - 7) PRESSURE REGULATOR 4
 - 8) PRESSURE REGULATOR 5
 - 9) OIL TEMPERATURE SENSOR
 - 10) SPEED SENSOR SHAFT
 - 11) SPEED SENSOR TURBINE



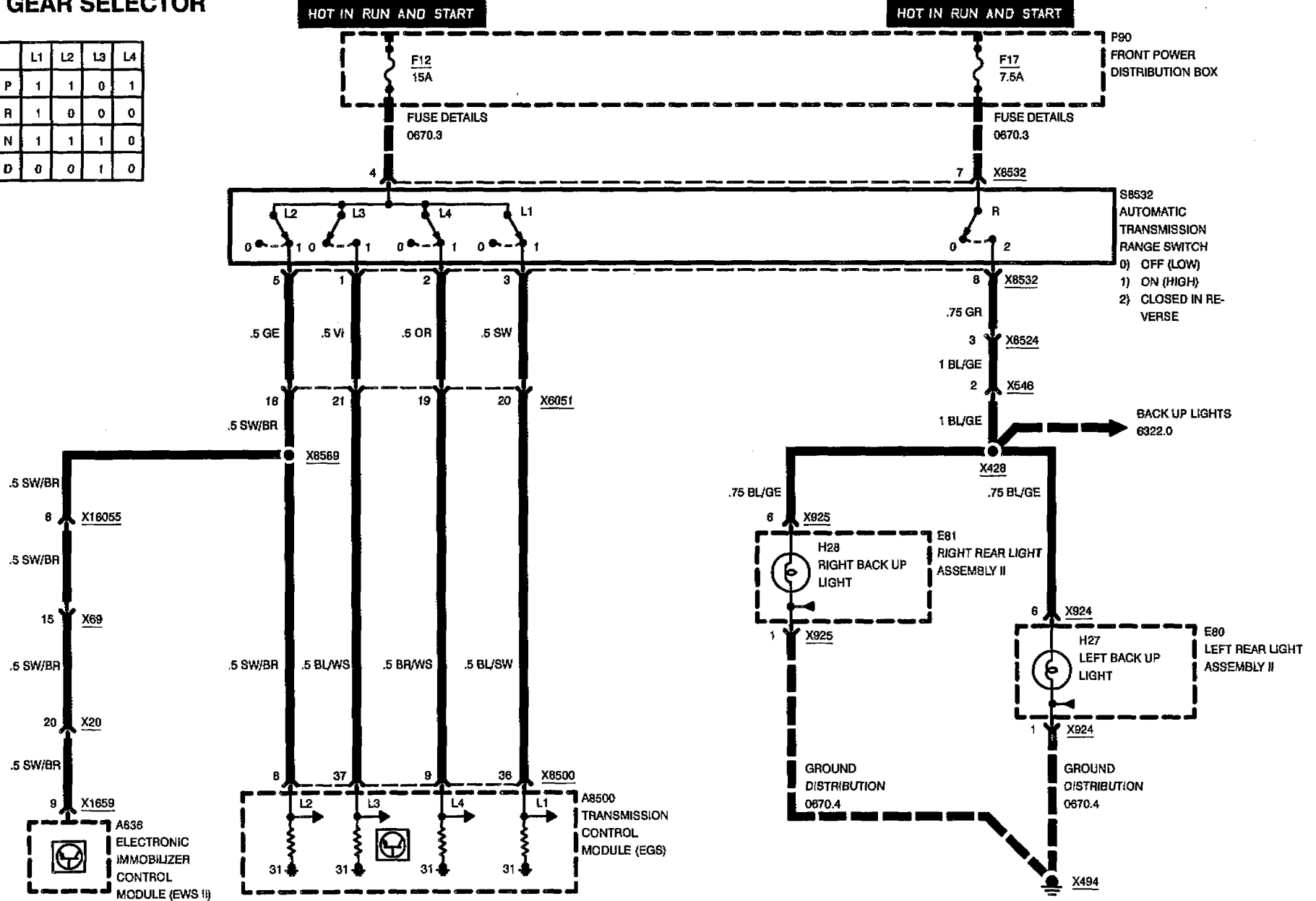


ELECTRONIC TRANSMISSION CONTROL (EGS: GS 9.22/AS5 560Z)

850Ci

GEAR SELECTOR

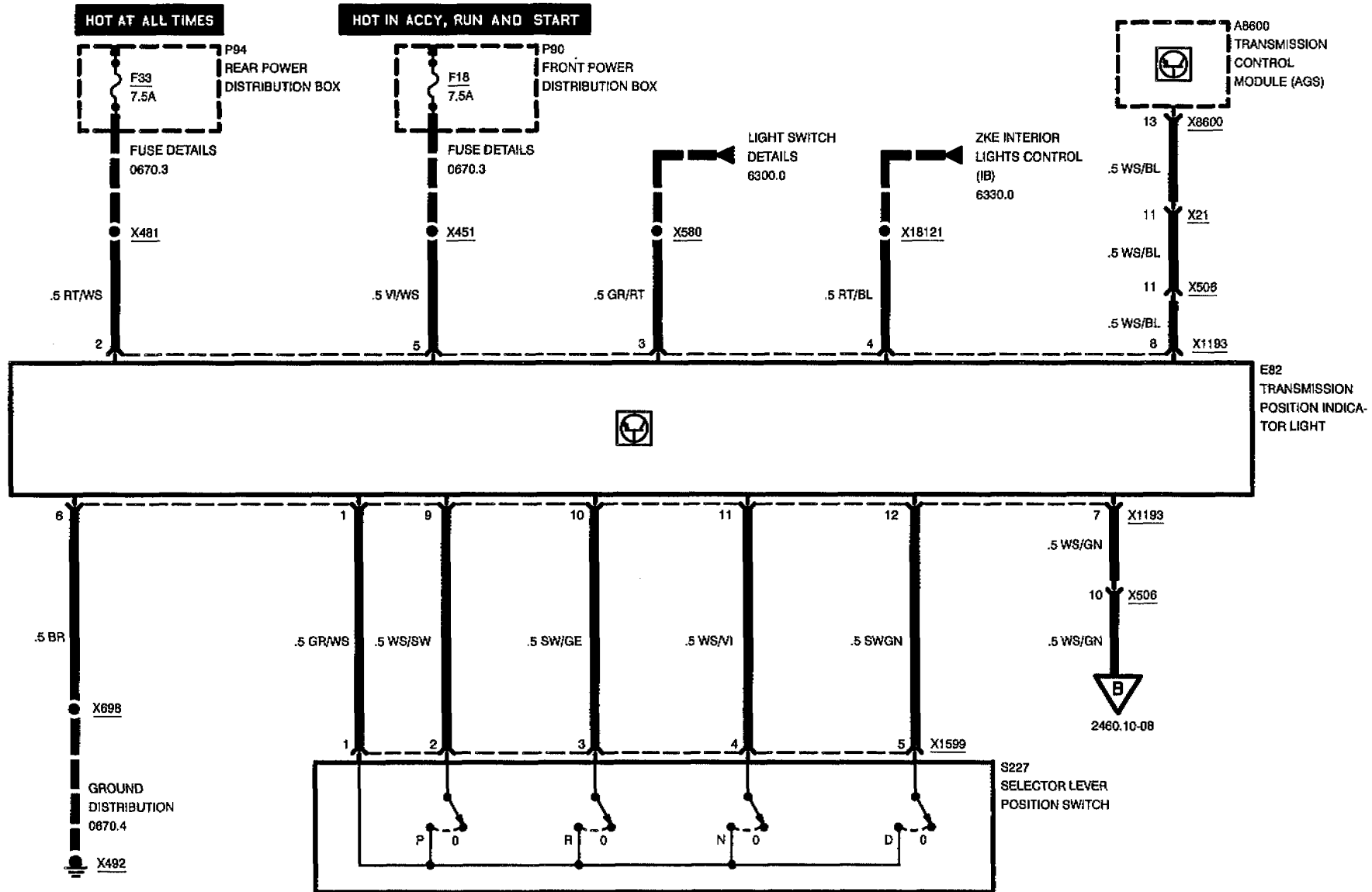
	L1	L2	L3	L4
P	1	1	0	1
R	1	0	0	0
N	1	1	1	0
D	0	0	1	0





ELECTRONIC TRANSMISSION CONTROL (EGS: GS 9.22/AS5 560Z)

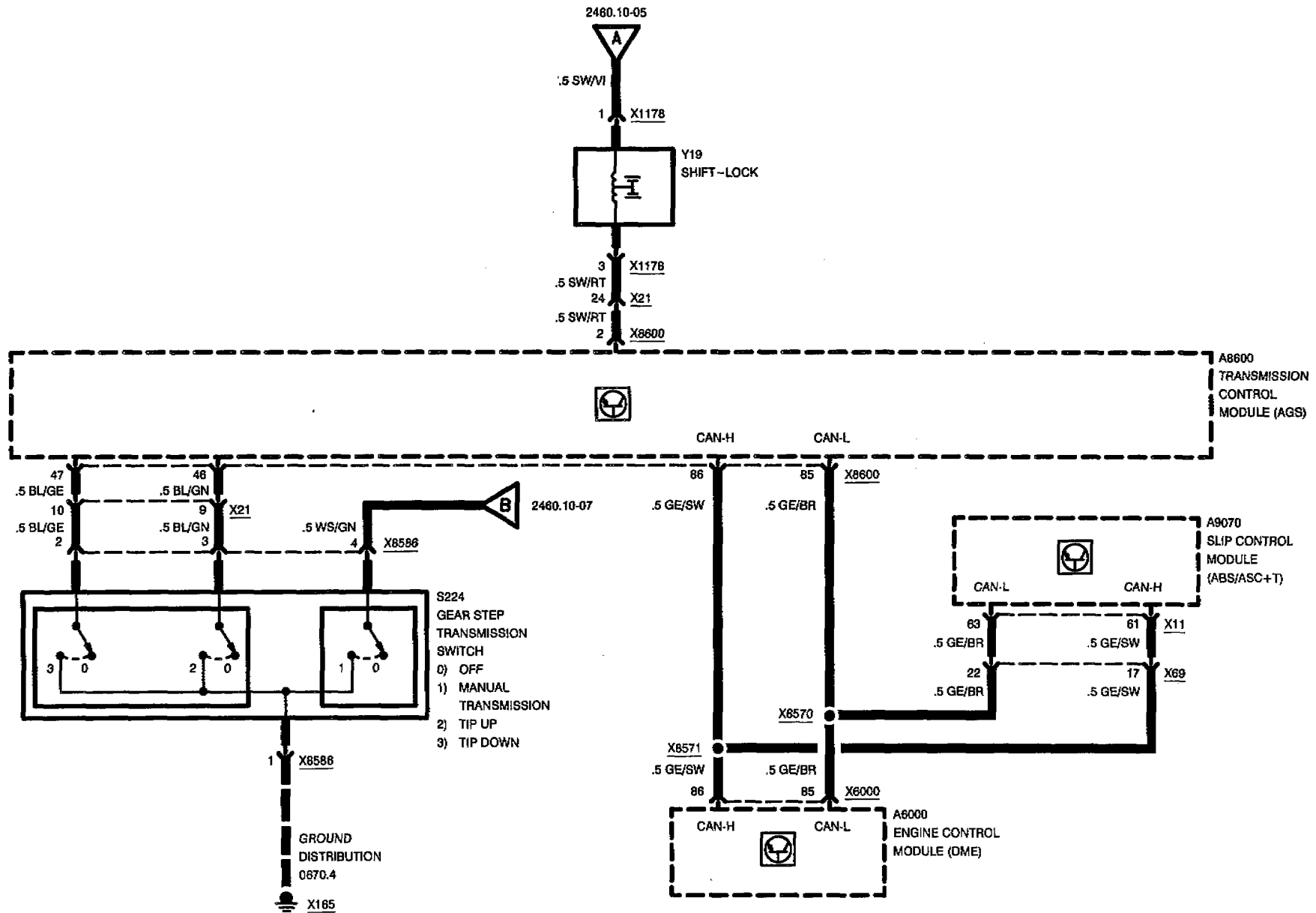
840Ci (M62)





ELECTRONIC TRANSMISSION CONTROL (EGS: GS 9.22/AS5 560Z)

840Ci (M62)



02/97

2460.10-08

95/96

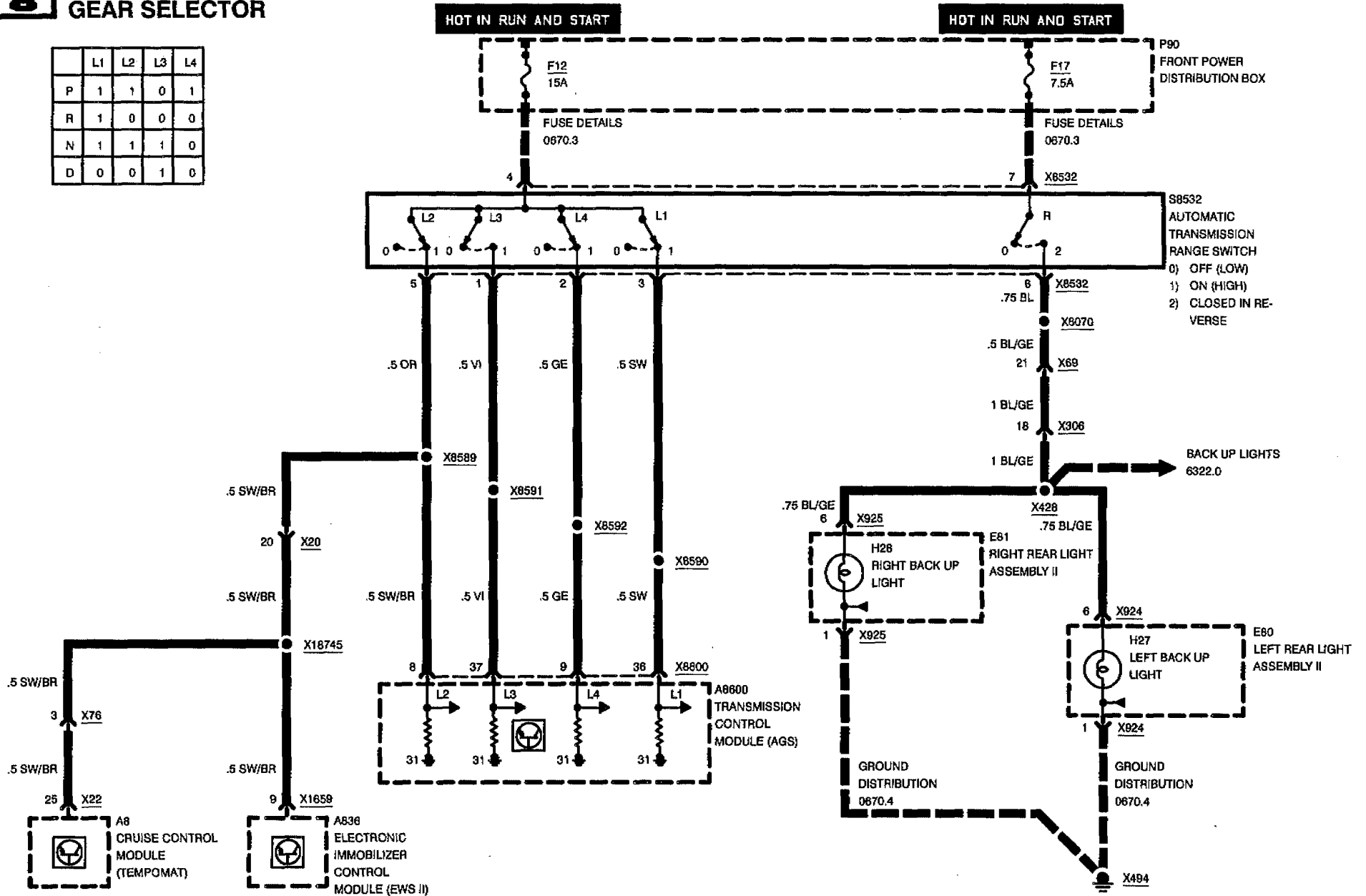


ELECTRONIC TRANSMISSION CONTROL (EGS: GS 9.22/AS5 560Z)

840Ci (M62)

GEAR SELECTOR

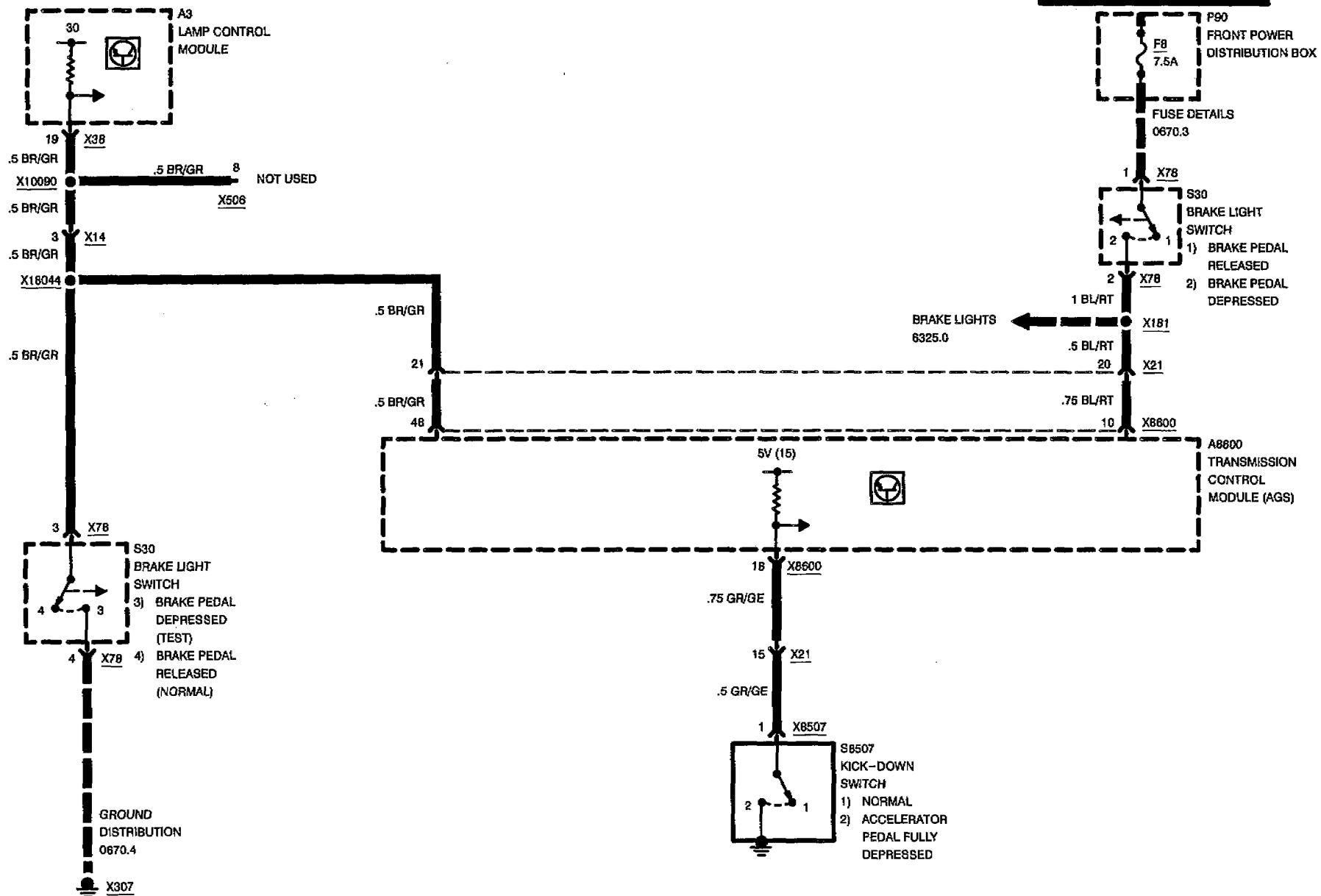
	L1	L2	L3	L4
P	1	1	0	1
R	1	0	0	0
N	1	1	1	0
D	0	0	1	0





ELECTRONIC TRANSMISSION CONTROL (EGS: GS 9.22/AS5 560Z)

840Ci (M62)

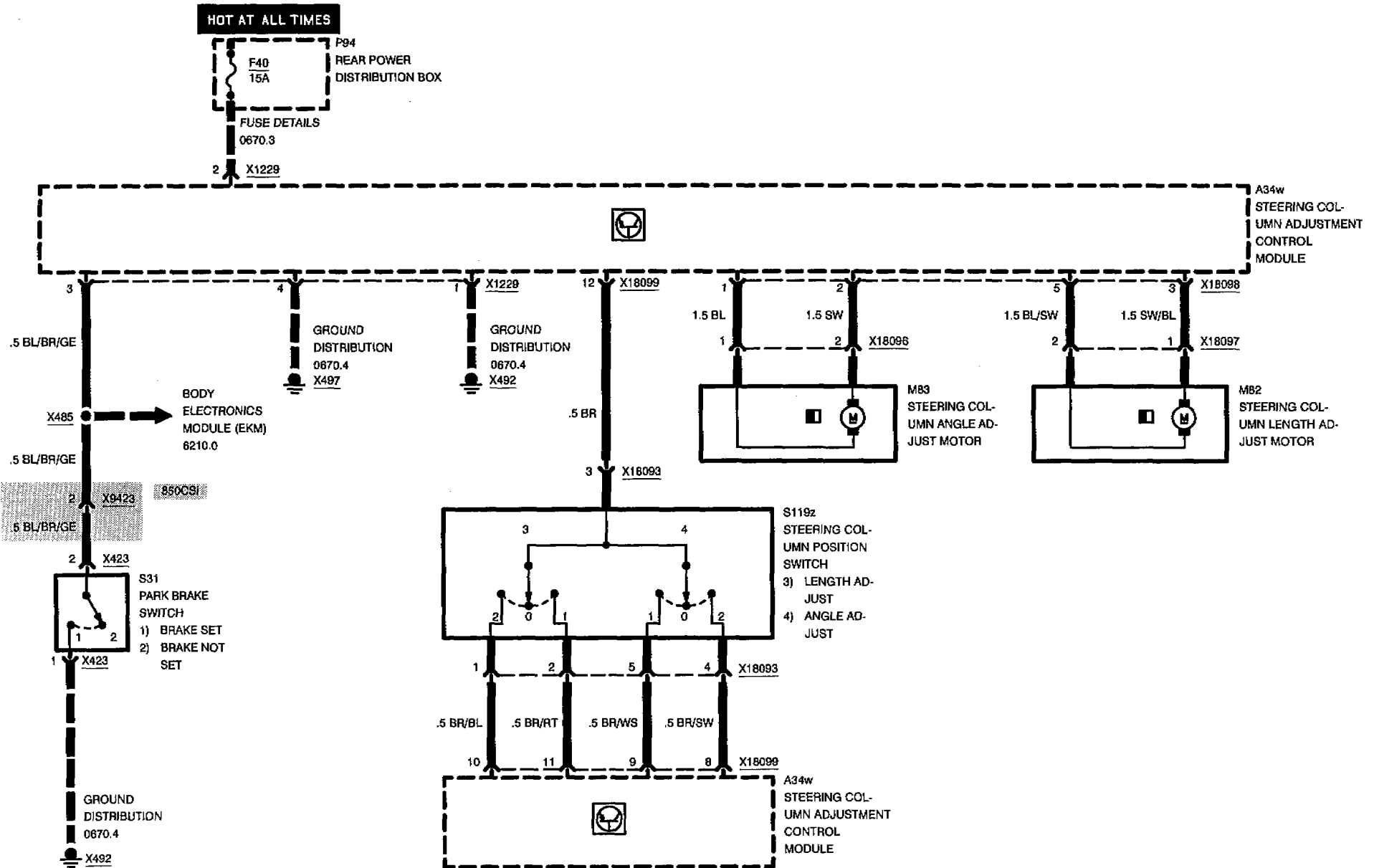


BMW
8

3231.0



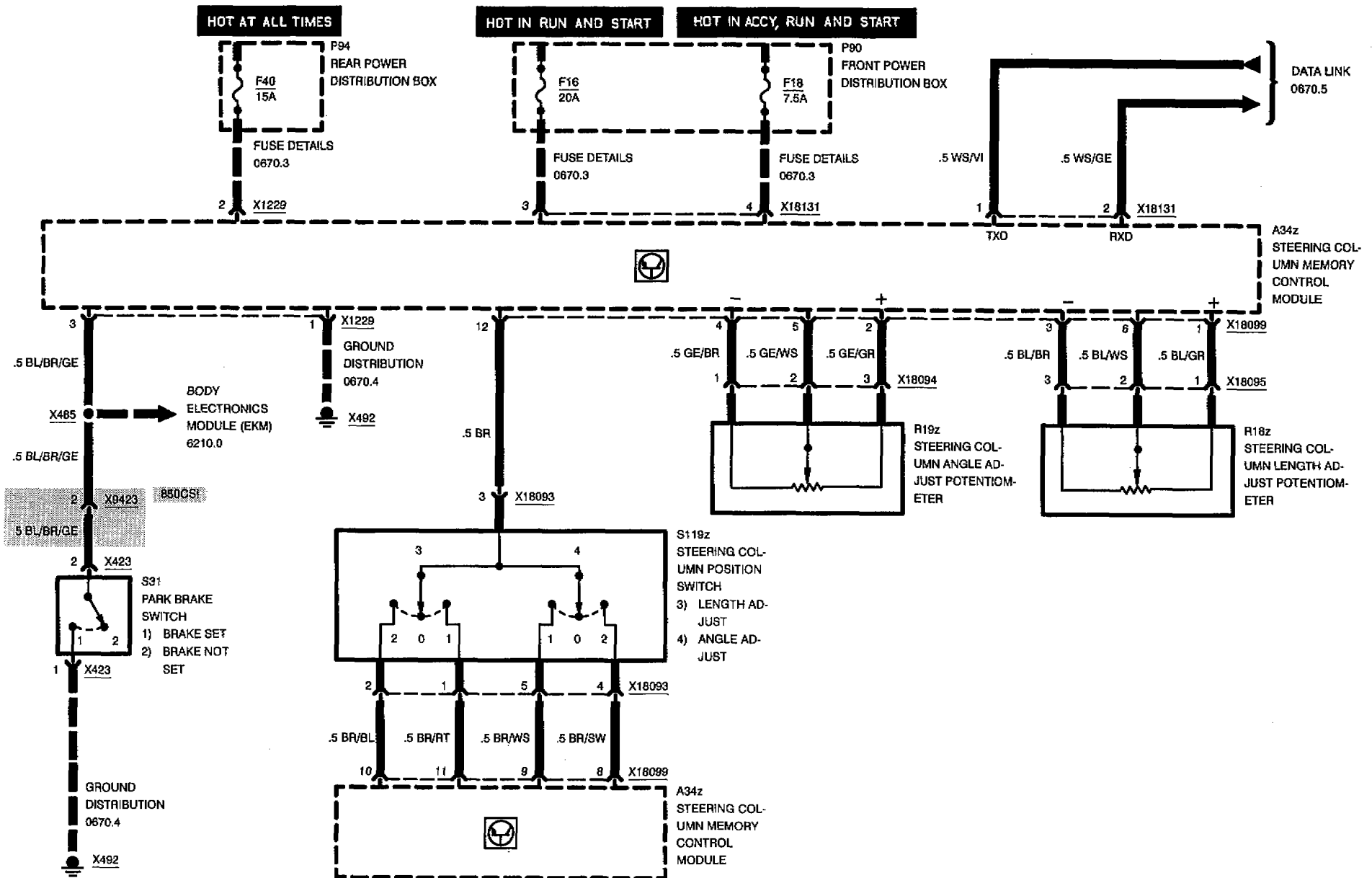
ELECTRIC STEERING COLUMN ADJUSTMENT





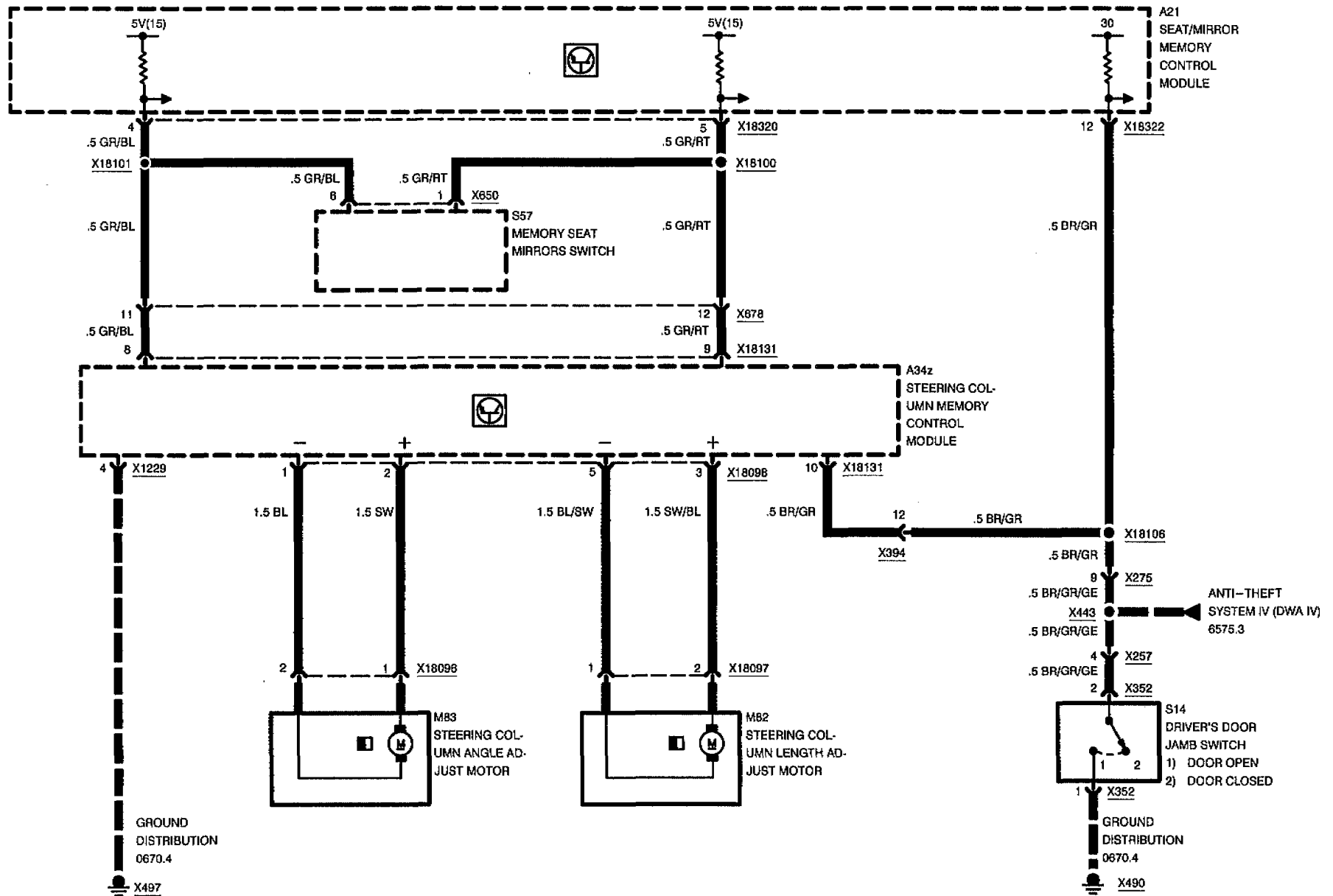


STEERING COLUMN MEMORY (LSM)



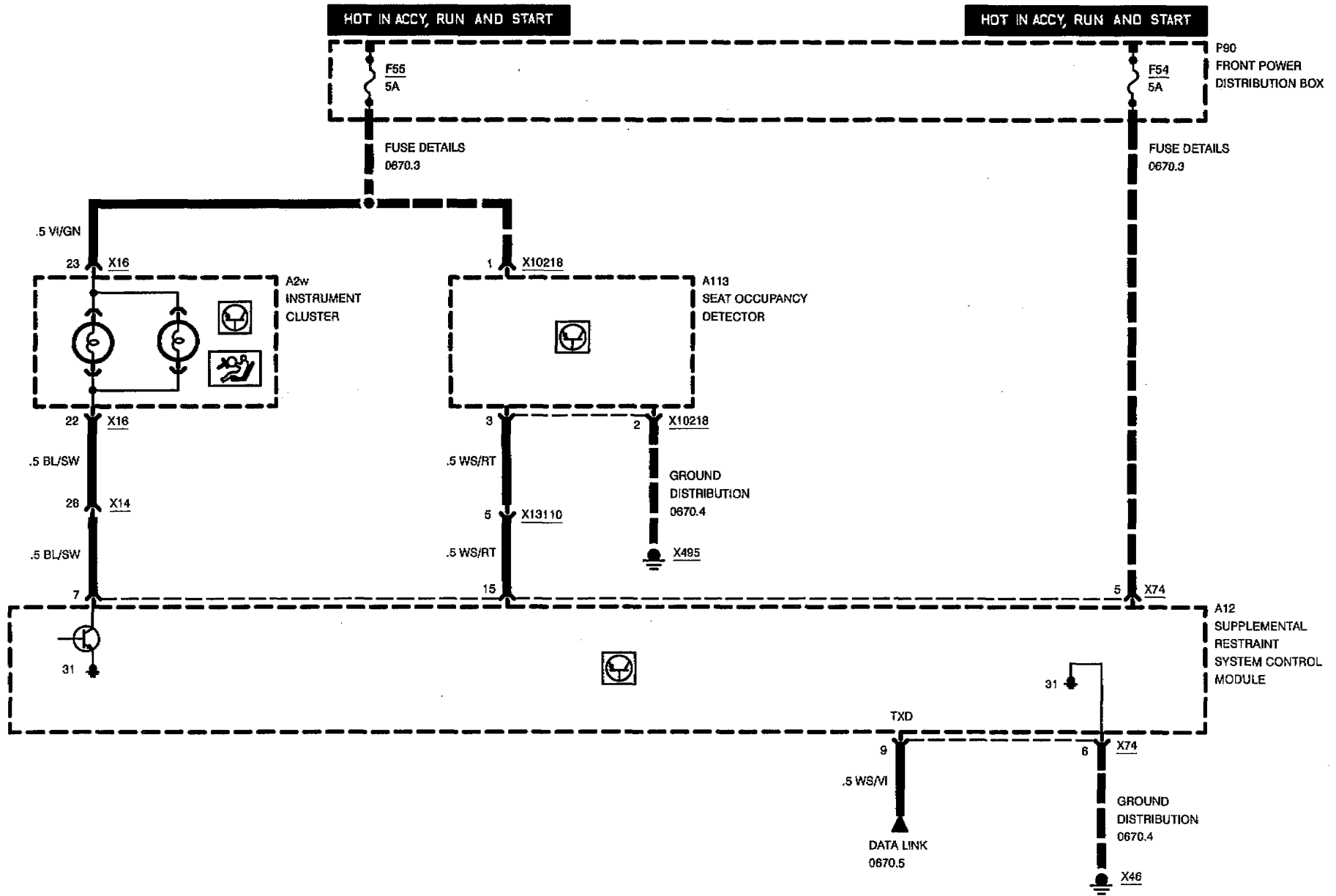


STEERING COLUMN MEMORY (LSM)





SUPPLEMENTAL RESTRAINT SYSTEM (AIR BAG)

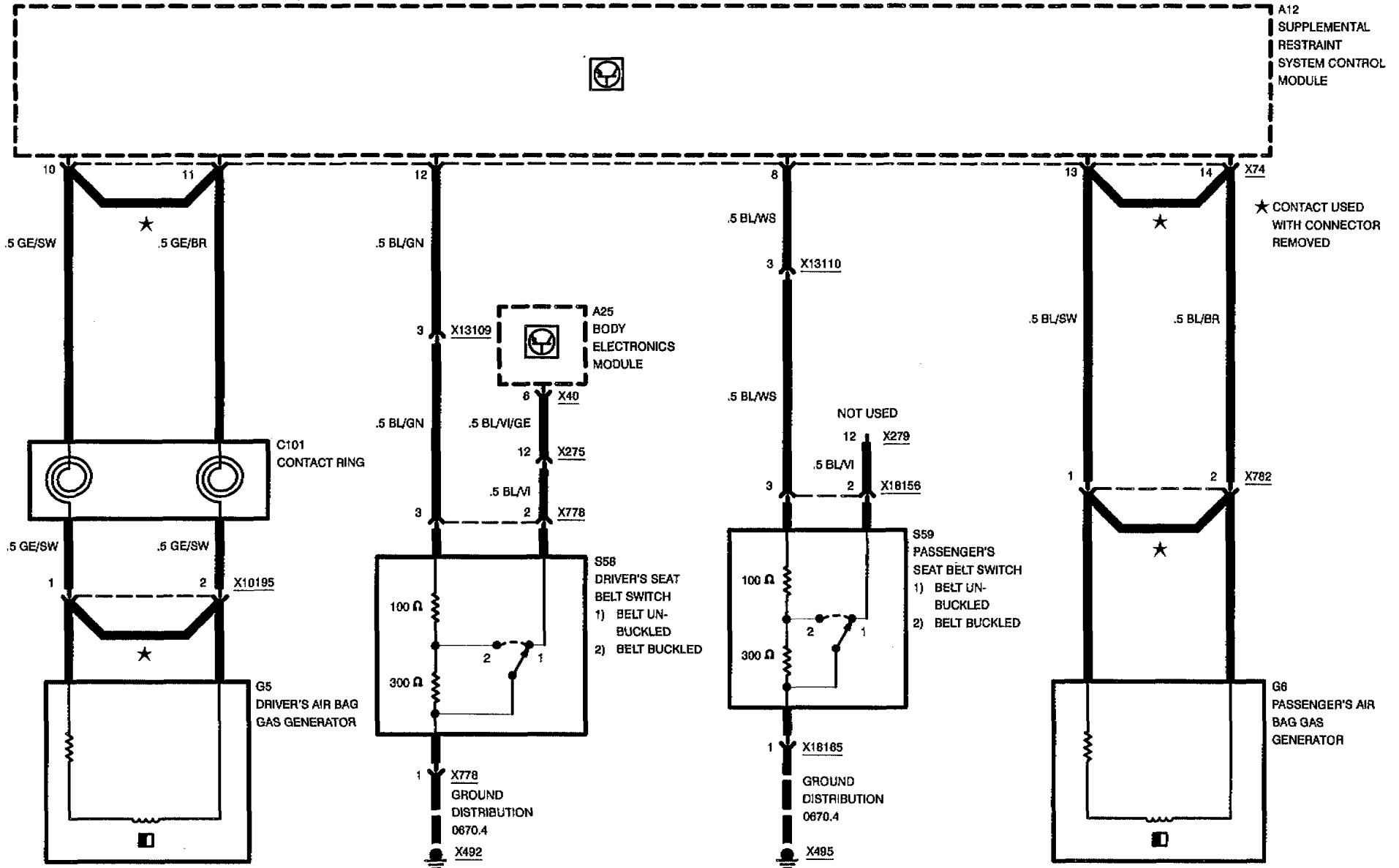


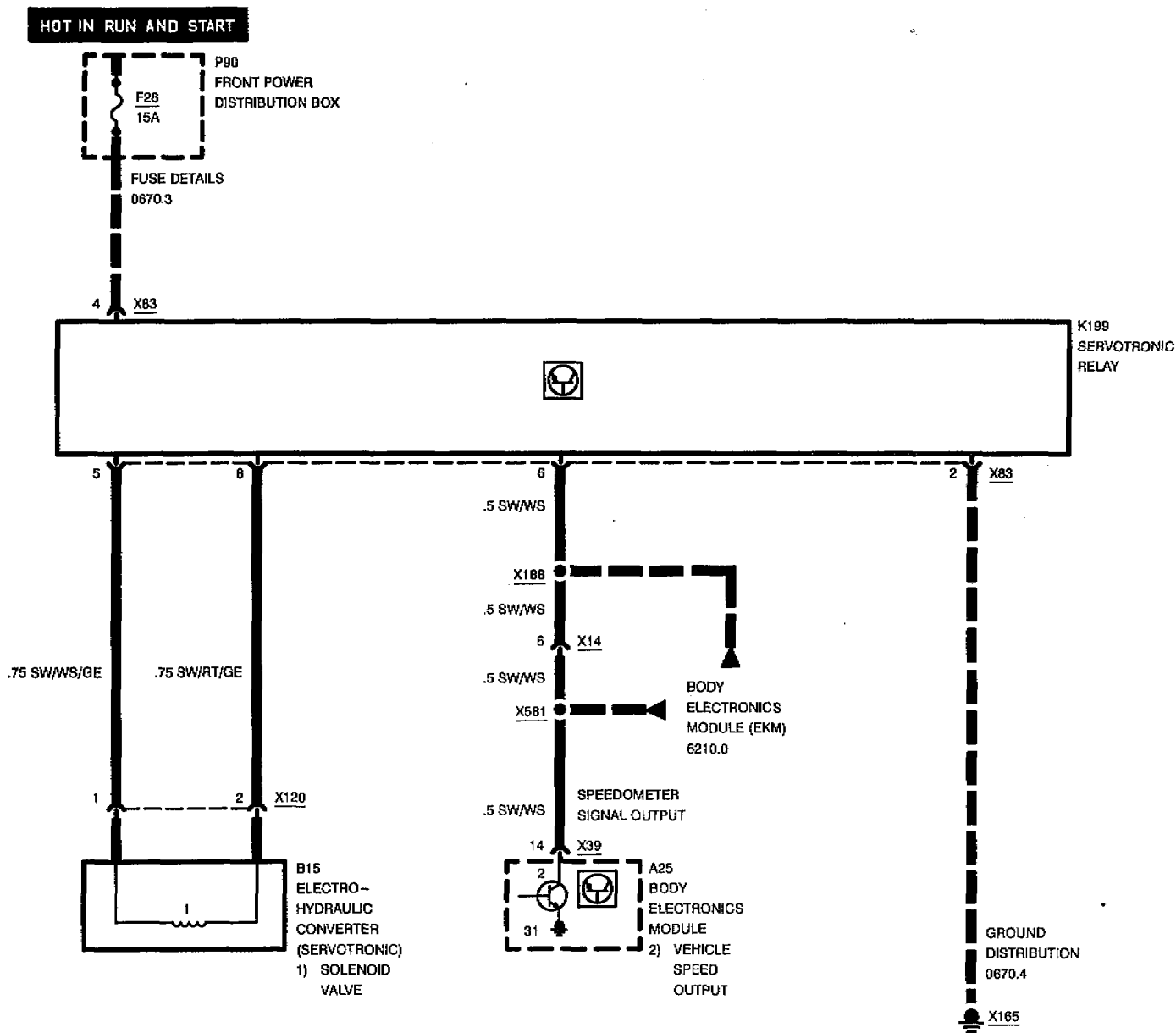
02/97

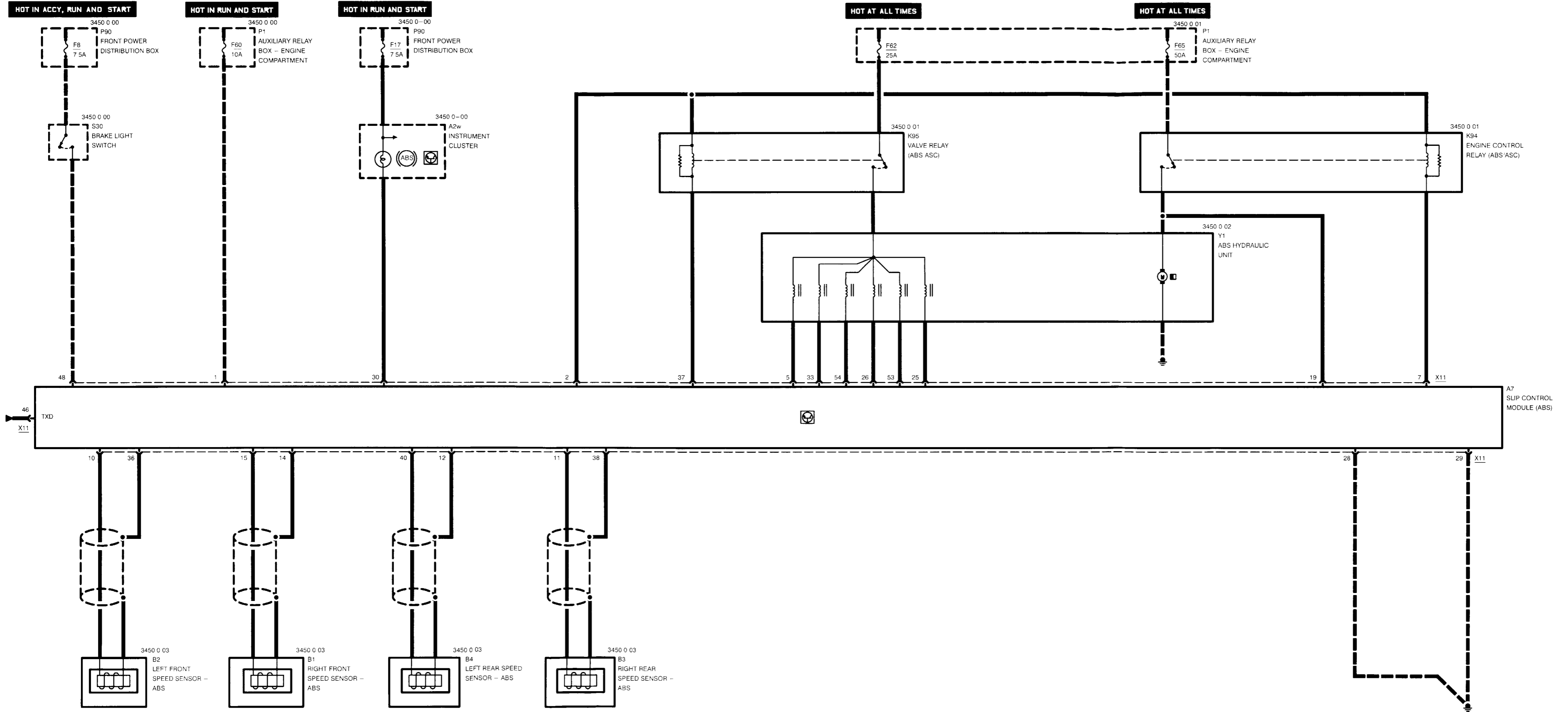
3234.0-00

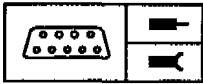
95/96

SUPPLEMENTAL RESTRAINT SYSTEM (AIR BAG)







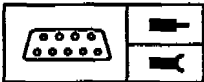


Pin Assignments

X11

Pin	Type	Description/Function	Connection
1	E	Battery voltage	Fuse 60
2	A	Voltage signal	ABS valve relay, ABS pump motor relay
3		Not used	
4		Not used	
5	A	Left front inlet relay	ABS hydraulic unit
6		Not used	
7	A	Activate relay	ABS pump motor relay
8		Not used	
9		Not used	
10	A	Left front speed sensor voltage signal	Left front speed sensor (ABS)
11	E	Right rear speed sensor voltage signal	Right rear speed sensor (ABS)
12	A	Left rear speed sensor ground	Left rear speed sensor (ABS)
13		Not used	
14	A	Right front speed sensor ground	Right front speed sensor (ABS)
15	E	Right front speed sensor voltage	Right front speed sensor (ABS)
16		Not used	
17		Not used	
18		Not used	
19	E	Plug signal	ABS pump motor relay
20		Not used	
21		Not used	
22		Not used	
23		Not used	
24		Not used	
25	A	Rear axle outlet valve	ABS hydraulic unit
26	A	Right front outlet valve	ABS hydraulic unit
27		Not used	ABS hydraulic unit
28	M	Ground	Ground point
29	M	Ground	Ground point

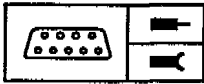
E = Input, A = Output, M = Ground



Pin Assignments

Pin	Type	Description/Function	Connection
30	A	Voltage signal, ABS warning lamp	Instrument cluster
31		Not used	
32		Not used	
33	A	Left front outlet valve	ABS hydraulic unit
34		Not used	
35		Not used	
36	E	Left front speed sensor ground	Left front speed sensor (ABS)
37	A	Activate relay	ABS valve relay
38	A	Right rear speed sensor ground	Right rear speed sensor (ABS)
39		Not used	
40	E	Left rear speed sensor voltage signal	Left rear speed sensor (ABS)
41		Not used	
42		Not used	
43		Not used	
44		Not used	
45		Not used	
46	E/A	TxD diagnostic data line	Data link connector
47		Not used	
48	E	Brake light signal	Brake light switch
49		Not used	
50		Not used	
51		Not used	
52		Not used	
53	A	Rear axle inlet valve	ABS hydraulic unit
54	A	Right front inlet valve	ABS hydraulic unit
55		Not used	
56		Not used	
57		Not used	
58		Not used	
59		Not used	
60		Not used	
61		Not used	

E = Input, A = Output, M = Ground



Pin Assignments

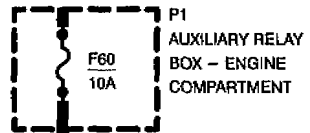
Pin	Type	Description/Function	Connection
62		Not used	
63		Not used	
64		Not used	
65		Not used	
66		Not used	
67		Not used	
68		Not used	
69		Not used	
70		Not used	
71		Not used	
72		Not used	
73		Not used	
74		Not used	
75		Not used	
76		Not used	
77		Not used	
78		Not used	
79		Not used	
80		Not used	
81		Not used	
82		Not used	
83		Not used	
84		Not used	
85		Not used	
86		Not used	
87		Not used	
88		Not used	

E = Input, A = Output, M = Ground



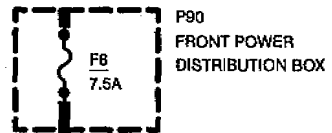
SLIP CONTROL (ABS)

HOT IN RUN AND START



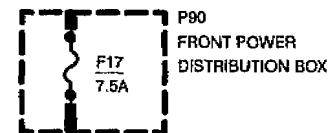
FUSE DETAILS
0670.3

HOT IN ACCY, RUN AND START

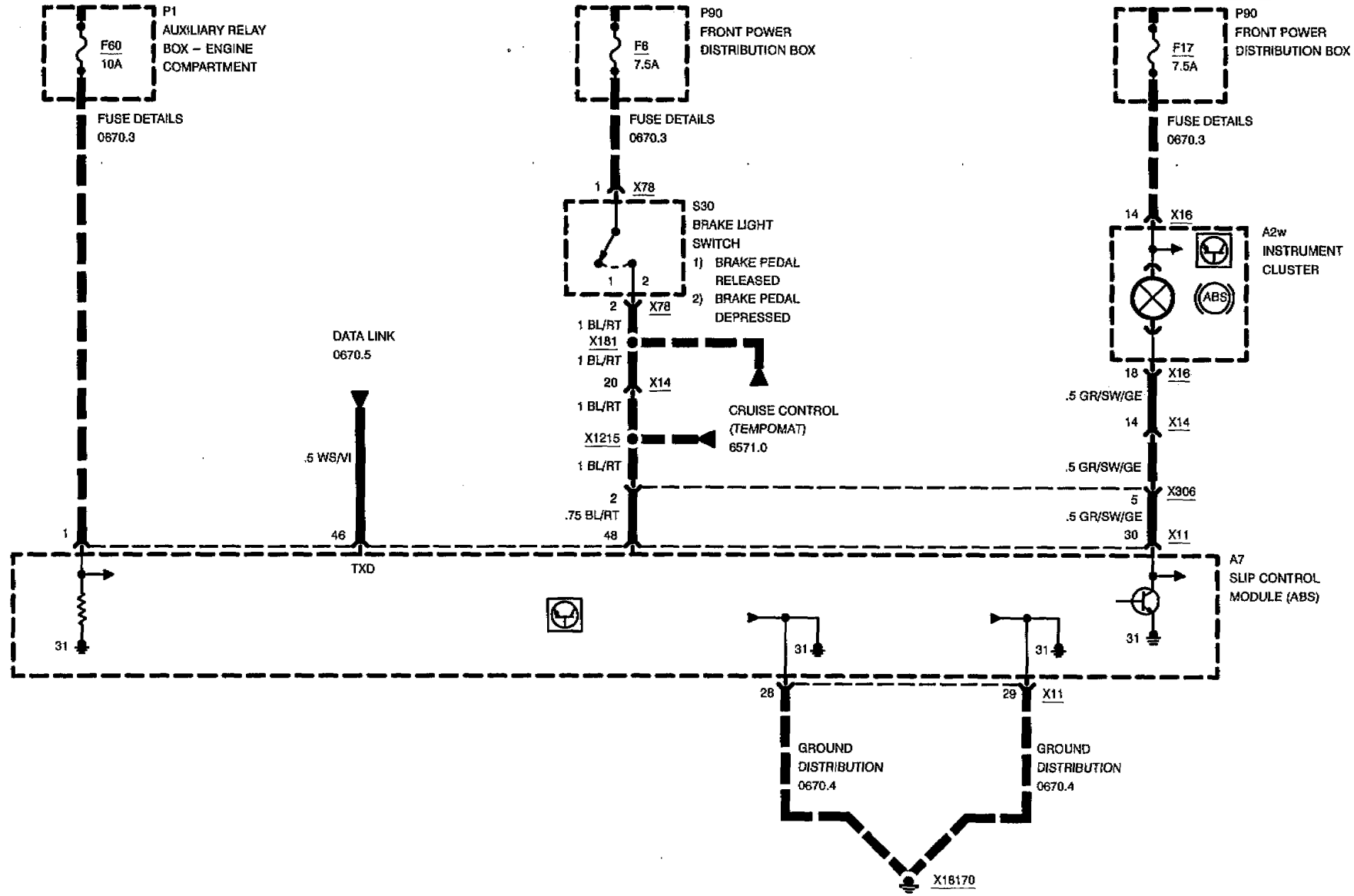


FUSE DETAILS
0670.3

HOT IN RUN AND START

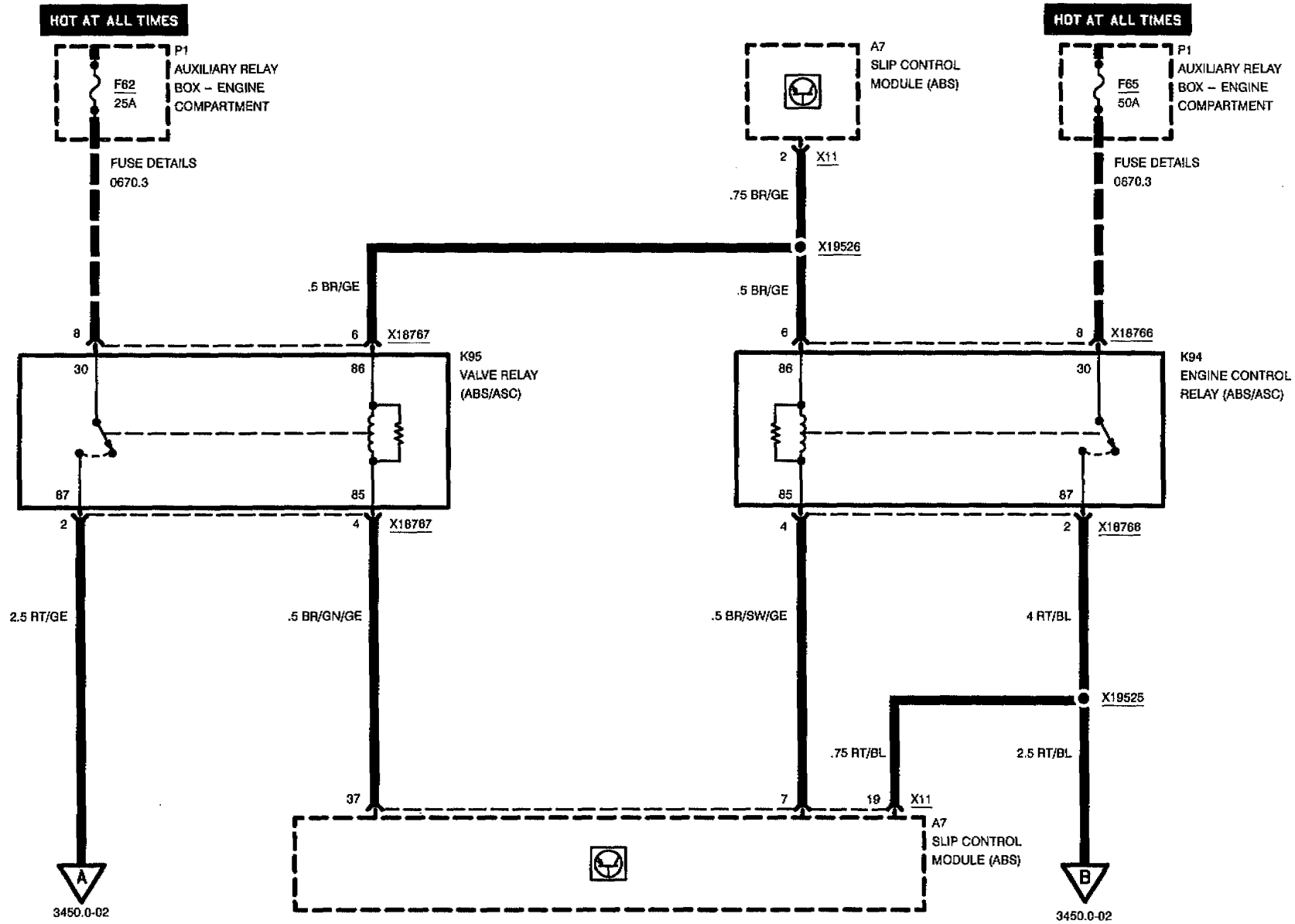


FUSE DETAILS
0670.3



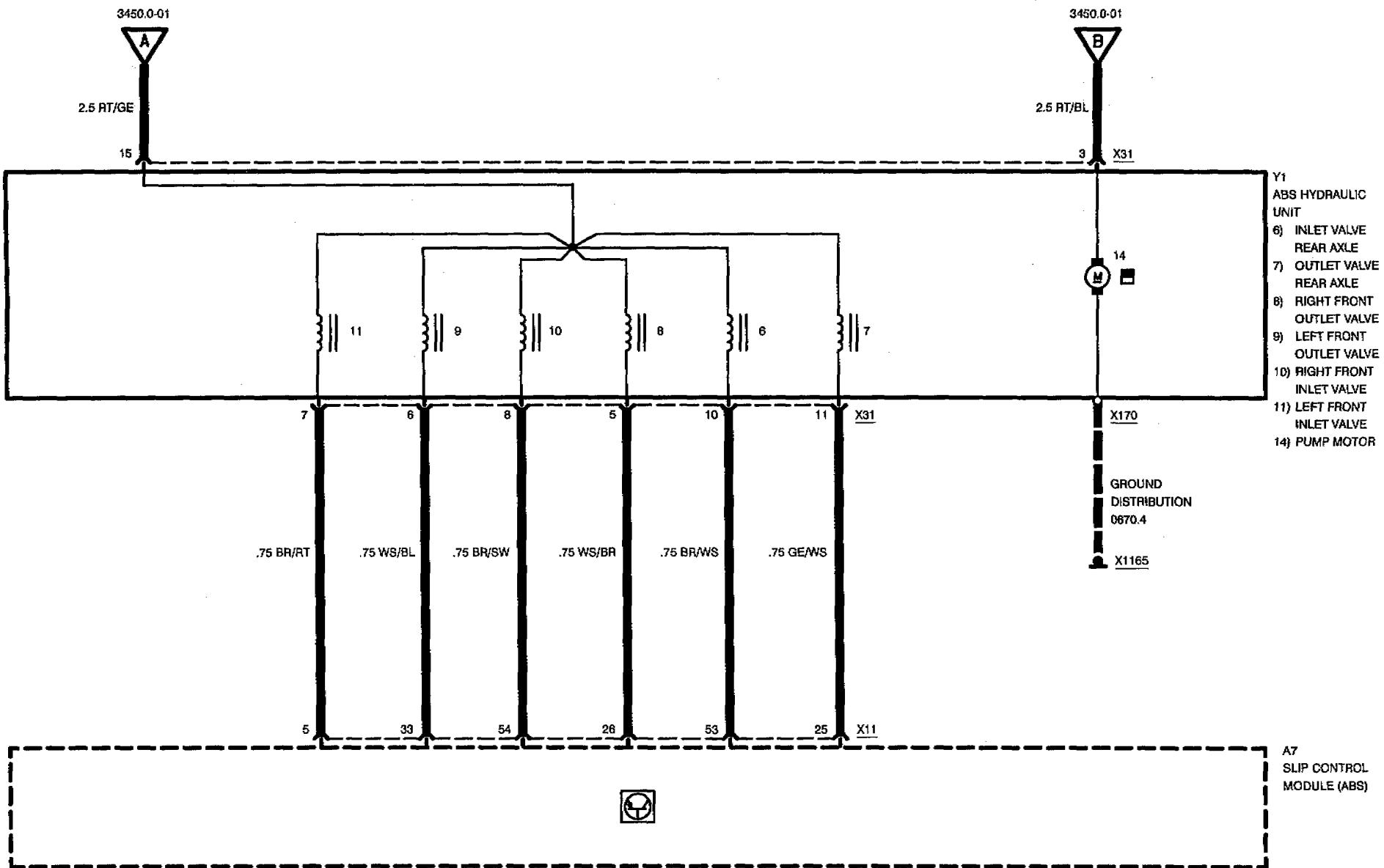


SLIP CONTROL (ABS)



3450.0-02

3450.0-02

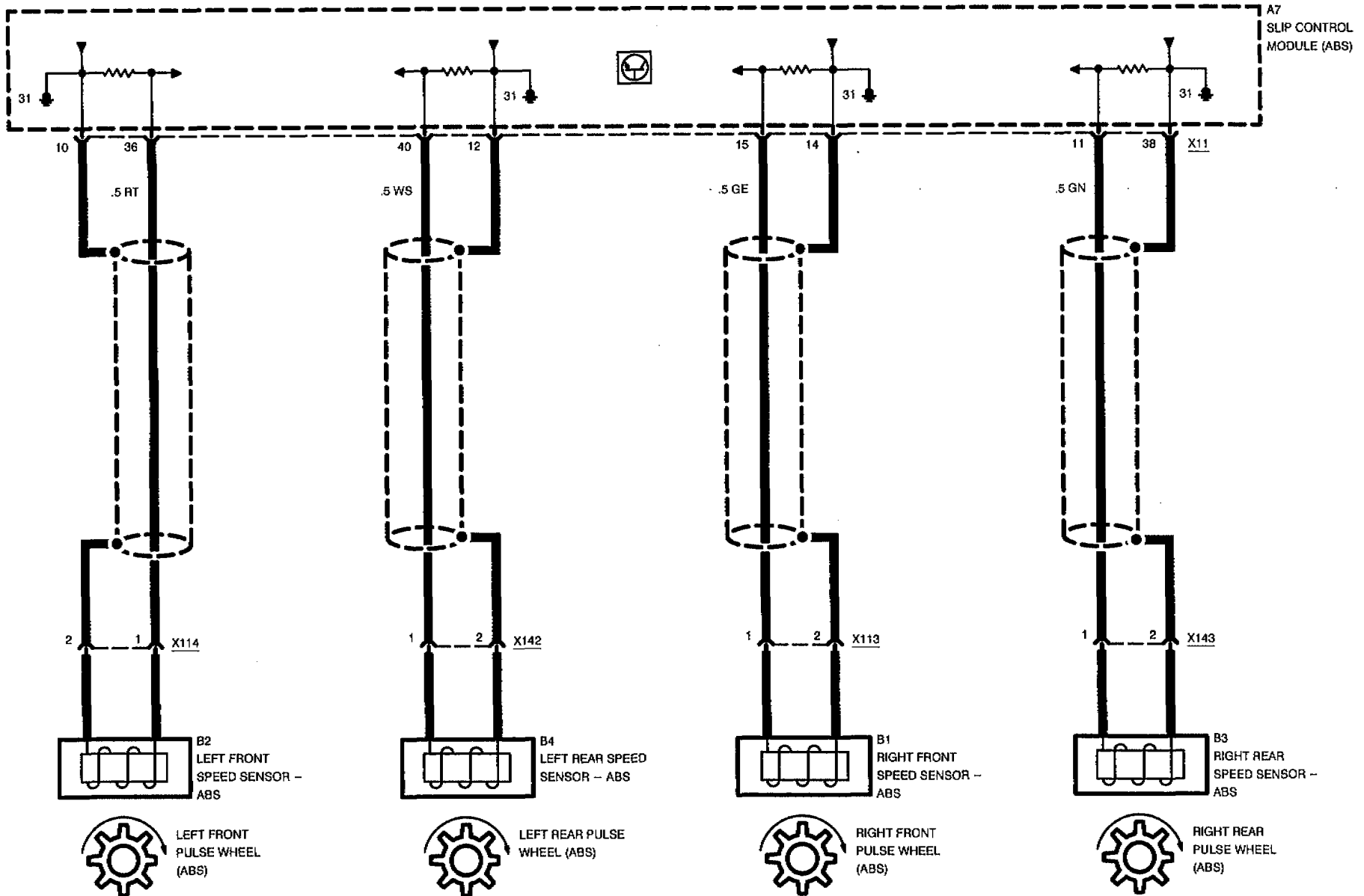


- Y1
ABS HYDRAULIC UNIT
- 6) INLET VALVE REAR AXLE
 - 7) OUTLET VALVE REAR AXLE
 - 8) RIGHT FRONT OUTLET VALVE
 - 9) LEFT FRONT OUTLET VALVE
 - 10) RIGHT FRONT INLET VALVE
 - 11) LEFT FRONT INLET VALVE
 - 14) PUMP MOTOR

A7
SLIP CONTROL MODULE (ABS)



SLIP CONTROL (ABS)



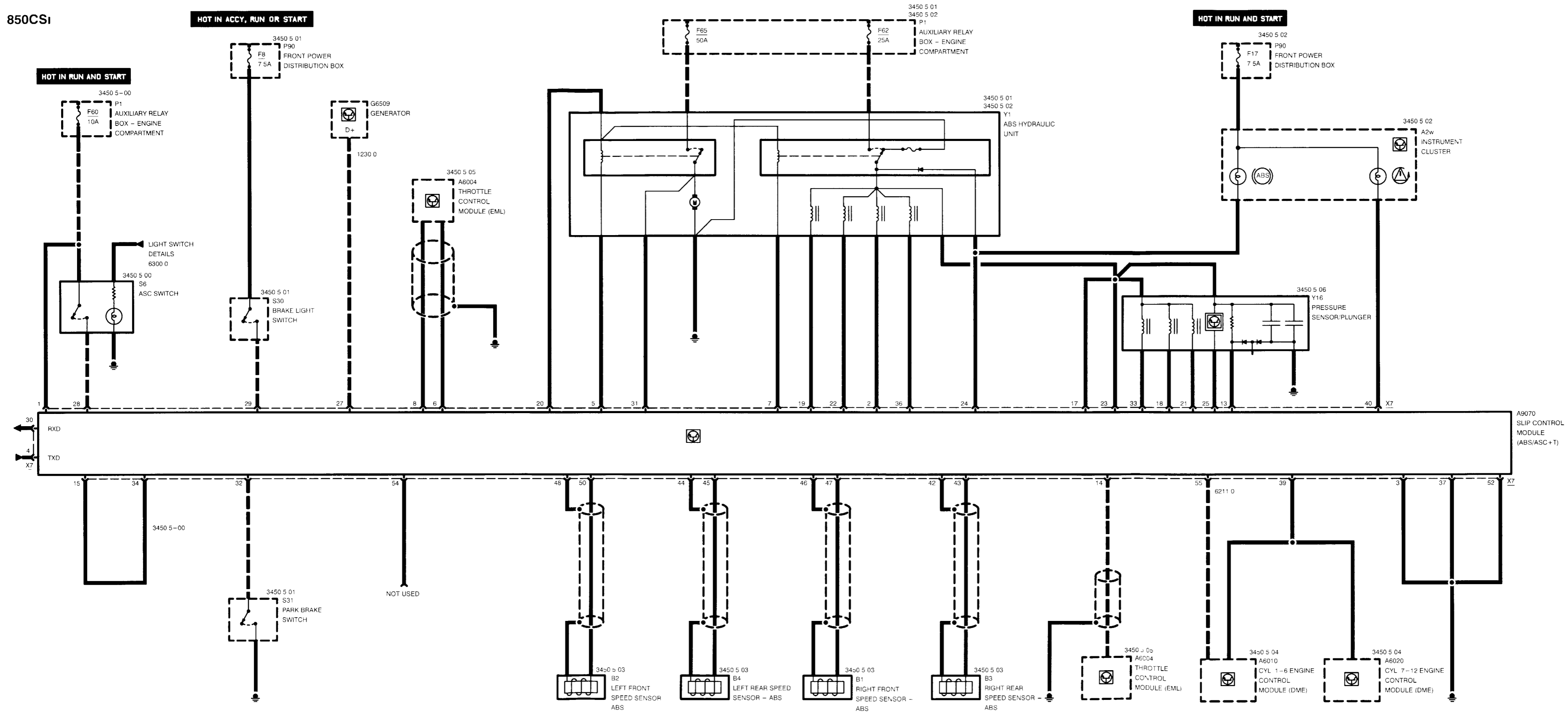


850CSi

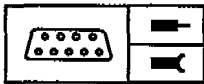
HOT IN ACCY, RUN OR START

HOT IN RUN AND START

HOT IN RUN AND START



A9070 SLIP CONTROL MODULE (ABS/ASC+T)

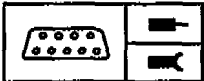


Pin Assignments

X7

Pin	Type	Description/Function	Connection
1	E	Terminal 15	Fuse 60
2	A	Rear left solenoid valve activation	ABS hydraulic unit
3	M	Ground	Ground point
4	E/A	TxD diagnostic data line	Data link connector
5	A	Pump relay activation	ABS hydraulic unit
6	A	Throttle valve angle reduction (DKR)	Electronic throttle control module (EML)
7	A	Valve relay activation	ABS hydraulic unit
8	A	Throttle valve angle increase (DKE)	Electronic throttle control module (EML)
9		Not used	
10		Not used	
11		Not used	
12		Not used	
13	E	Operating pressure signal	Pressure sensor/plunger
14	E	Throttle valve position	Electronic throttle control module (EML)
15	A	Coding plug for manual transmission	Pin 34 (stabilized voltage)
16		Not used	
17	E	Voltage signal, valve relay	ABS hydraulic unit
18	A	Rear right plunger valve activation	Pressure sensor/plunger
19	A	Front left solenoid valve activation	ABS hydraulic unit
20	A	Voltage signal pump relay	ABS hydraulic unit
21	A	Rear left plunger valve activation	Pressure sensor/plunger
22	A	Front right solenoid valve activation	ABS hydraulic unit
23	E	Voltage signal, valve relay	ABS hydraulic unit
24	E	Voltage signal ABS warning lamp	Instrument cluster
25	E	Accumulator warning pressure threshold	Pressure sensor/plunger
26		Not used	
27	E	Terminal 61 D+	Generator
28	E	ASC switch signal	ASC switch.
29	E	Brake light signal	Brake light switch
30	E	RxD diagnostic data line	Data link connector

E = Input, A = Output, M = Ground



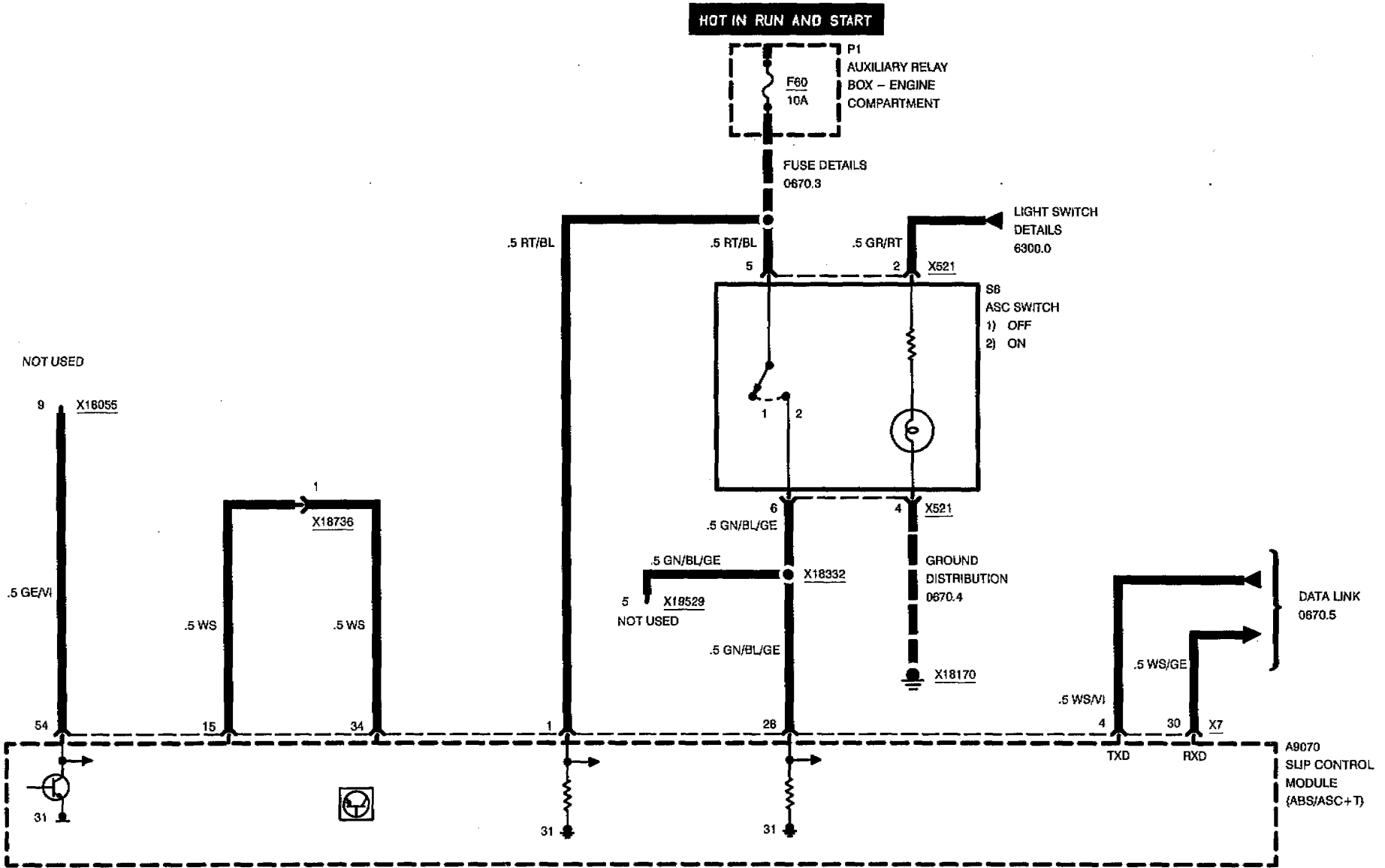
Pin Assignments

Pin	Type	Description/Function	Connection
31	E	Pump relay signal	ABS hydraulic unit
32	E	Park brake switch signal	Park brake switch
33	A	Recharging valve activation	Pressure sensor/plunger
34	E	Coding plug for manual transmission	Pin 15
35		Not used	
36	A	Rear right solenoid valve activation	ABS hydraulic unit
37	M	Ground	Ground point
38		Not used	
39	A	Ignition angle adjustment	Engine control modules (DME)
40	A	ASC multi-function lamp	Instrument cluster
41		Not used	
42	A	Right rear wheel speed sensor ground	Speed sensor
43	E	Right rear wheel speed signal	Speed sensor
44	A	Left rear wheel speed sensor ground	Speed sensor
45	E	Left rear wheel speed signal	Speed sensor
46	A	Right front wheel speed sensor ground	Speed sensor
47	E	Right front wheel speed signal	Speed sensor
48	A	Left front wheel speed sensor ground	Speed sensor
49		Not used	
50	E	Left front wheel speed signal	Speed sensor
51		Not used	
52	M	Ground	Ground point
53		Not used	
54	A	Signal, transmission intervention	Not used
55	E	RPM signal	Engine control module (DME)

E = Input, A = Output, M = Ground



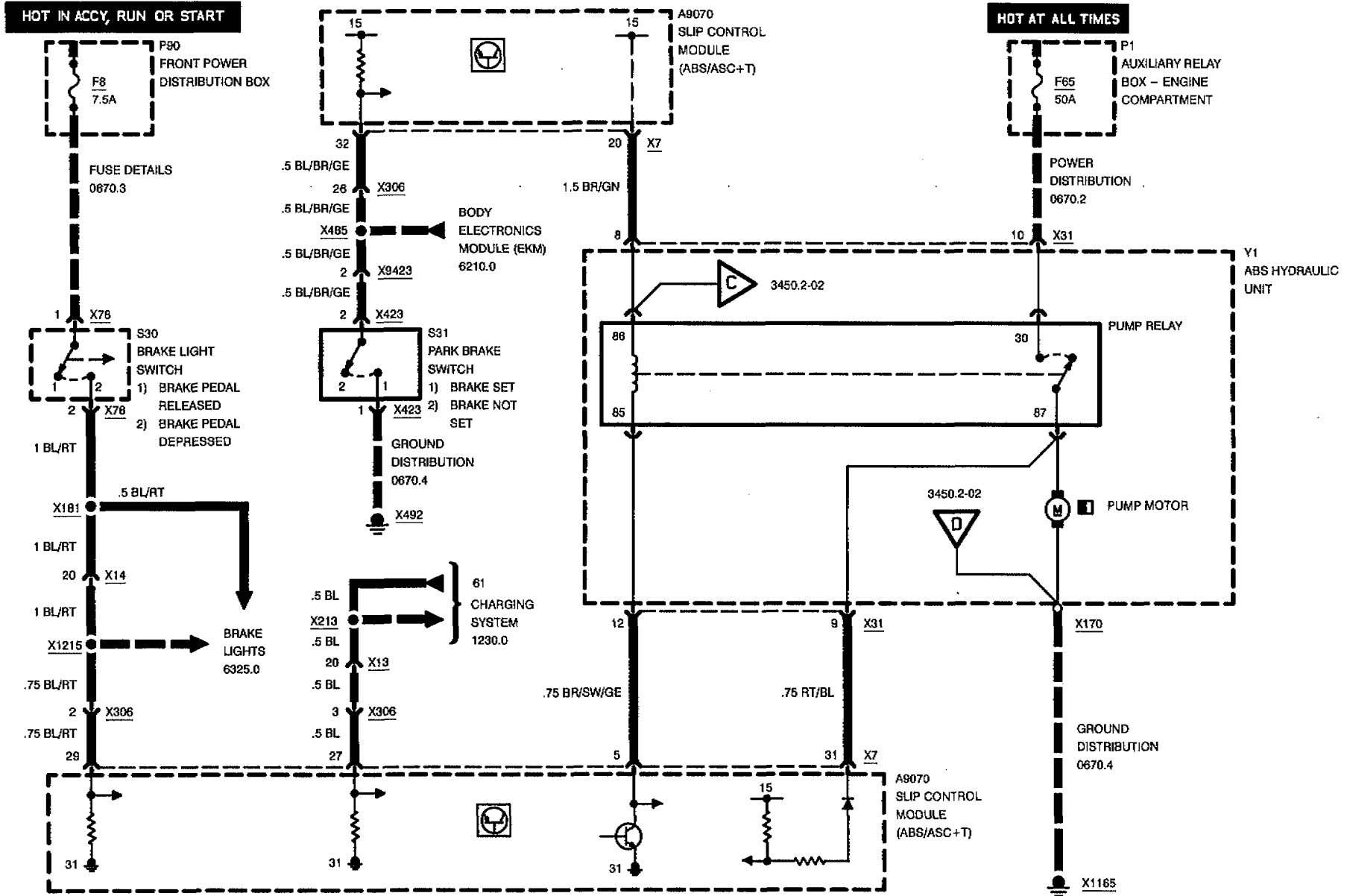
3450.5





SLIP CONTROL 5 (ASC 5)

850CSI



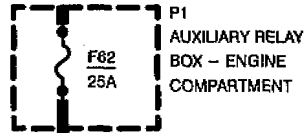


SLIP CONTROL 5 (ASC 5)

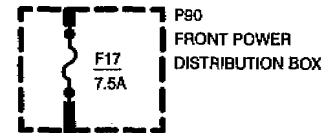
850CSi

HOT AT ALL TIMES

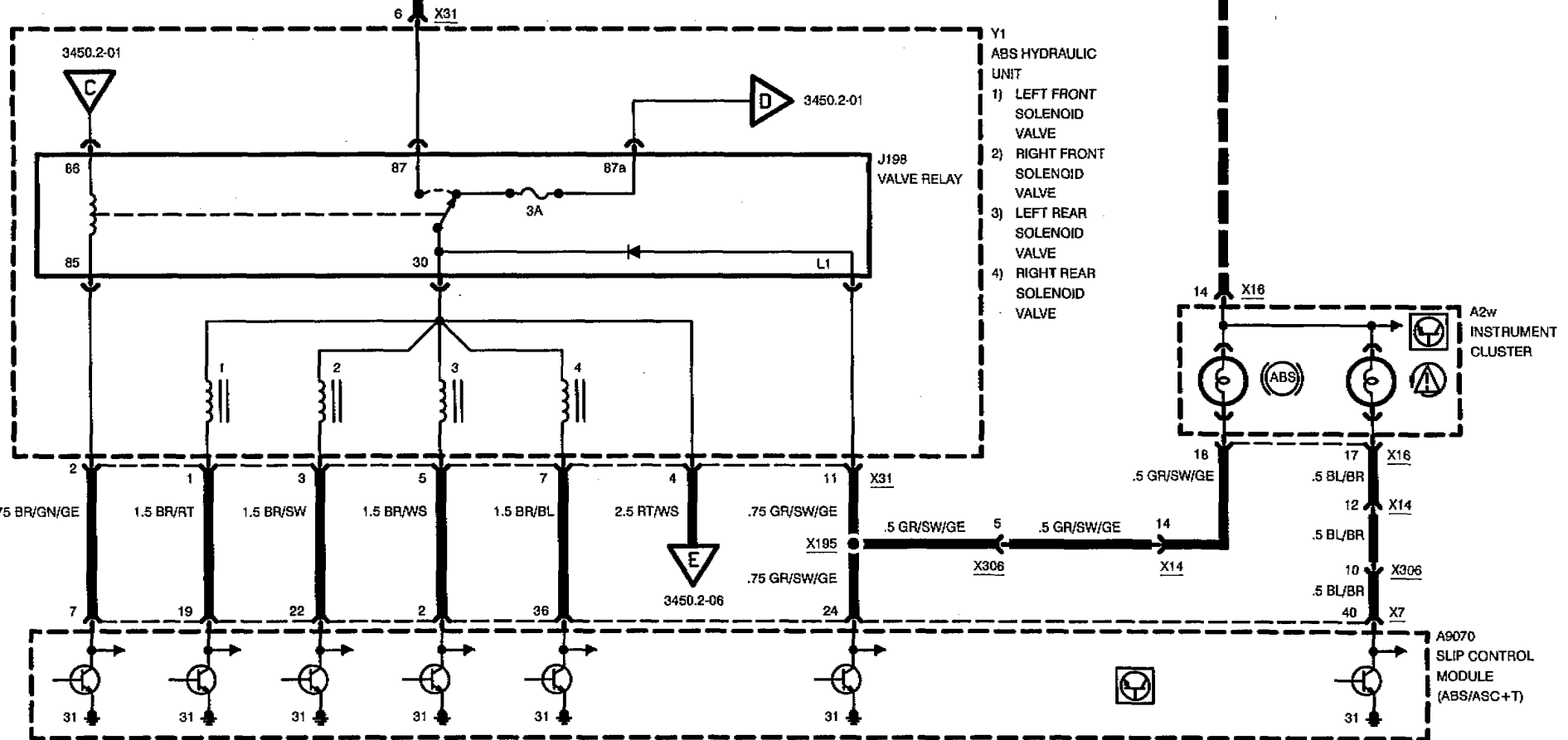
HOT IN RUN AND START



FUSE DETAILS
0670.3



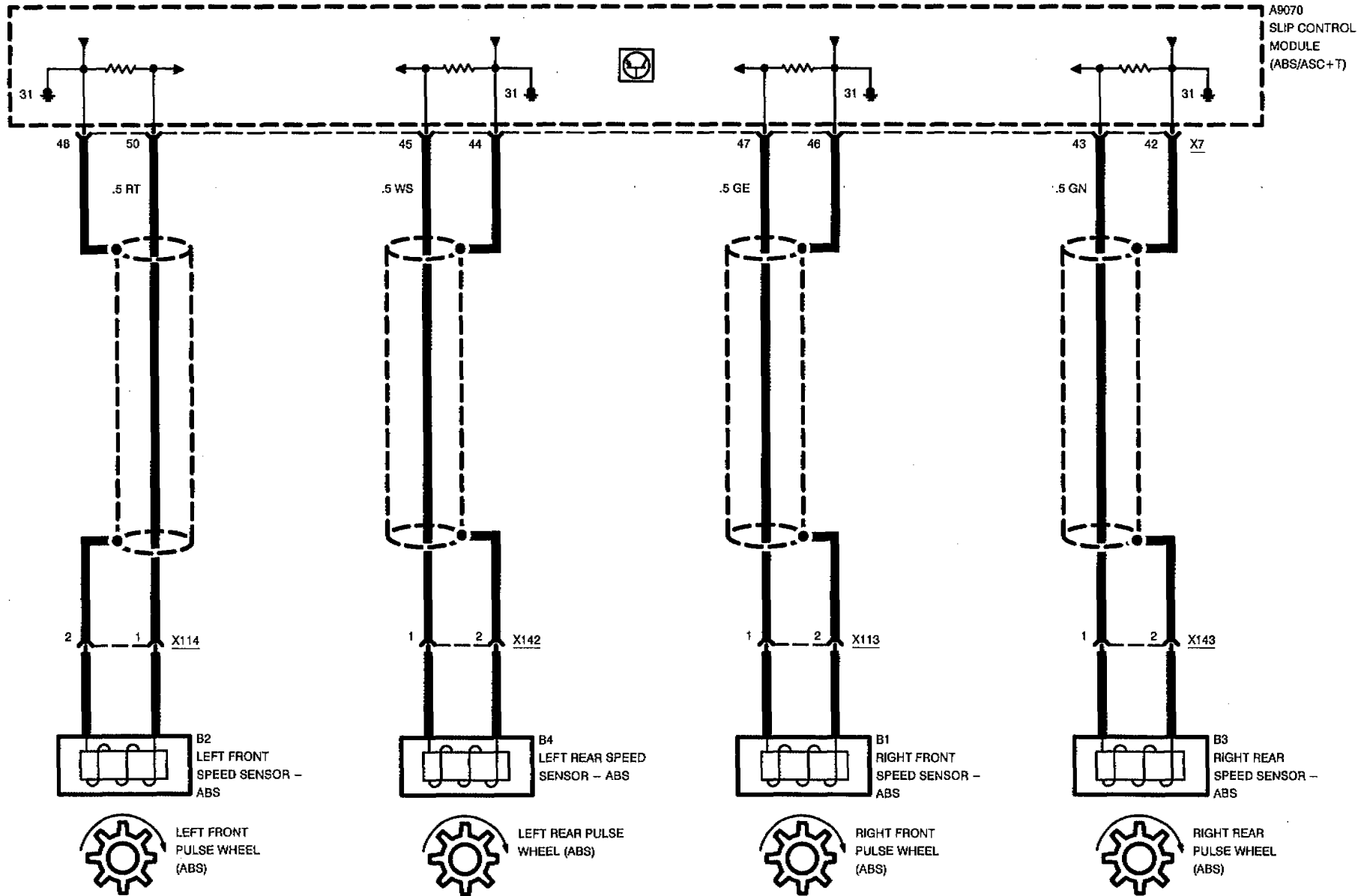
FUSE DETAILS
0670.3





SLIP CONTROL 5 (ASC 5)

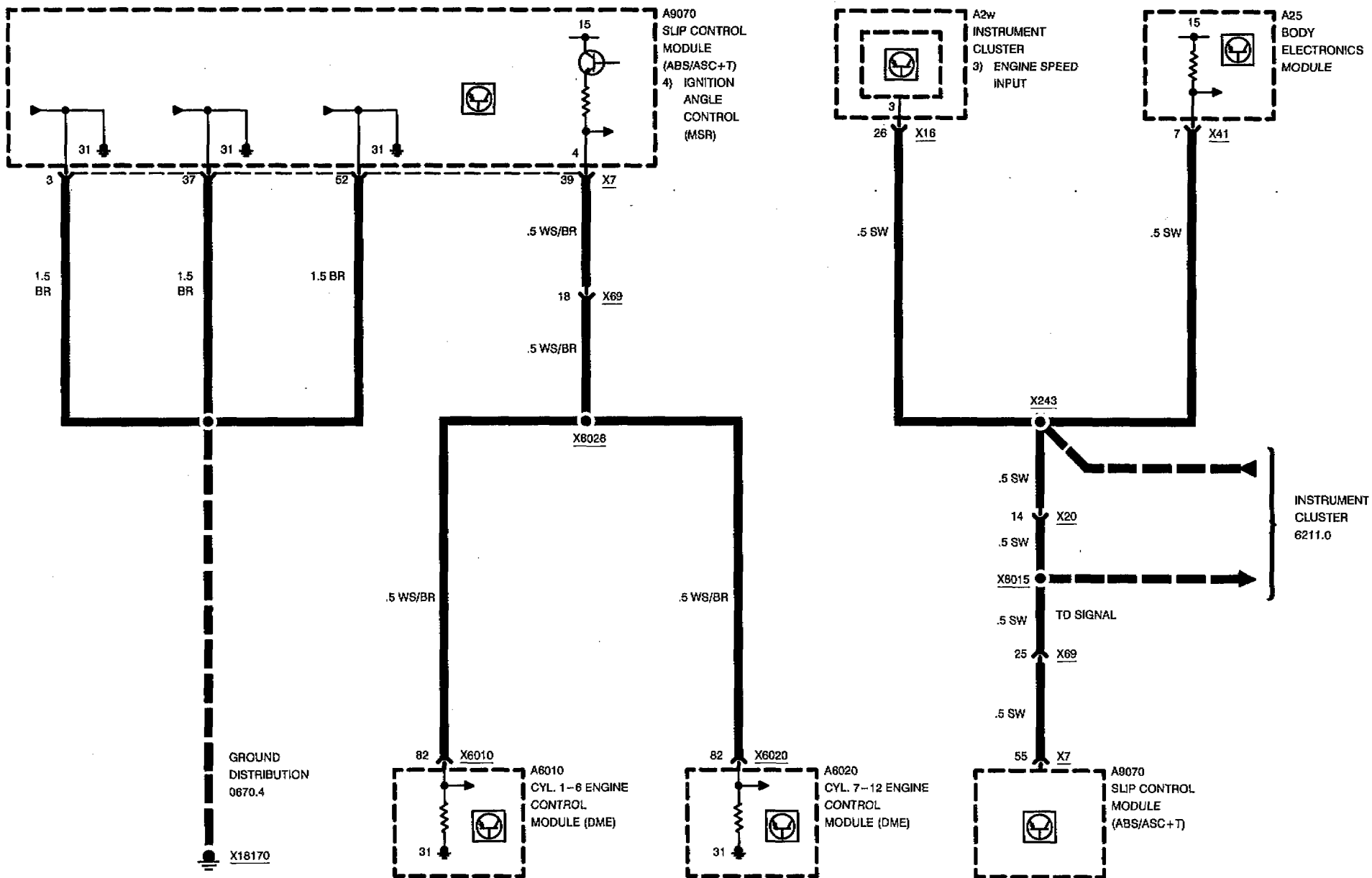
850CSi





SLIP CONTROL 5 (ASC 5)

850CSI



02/97

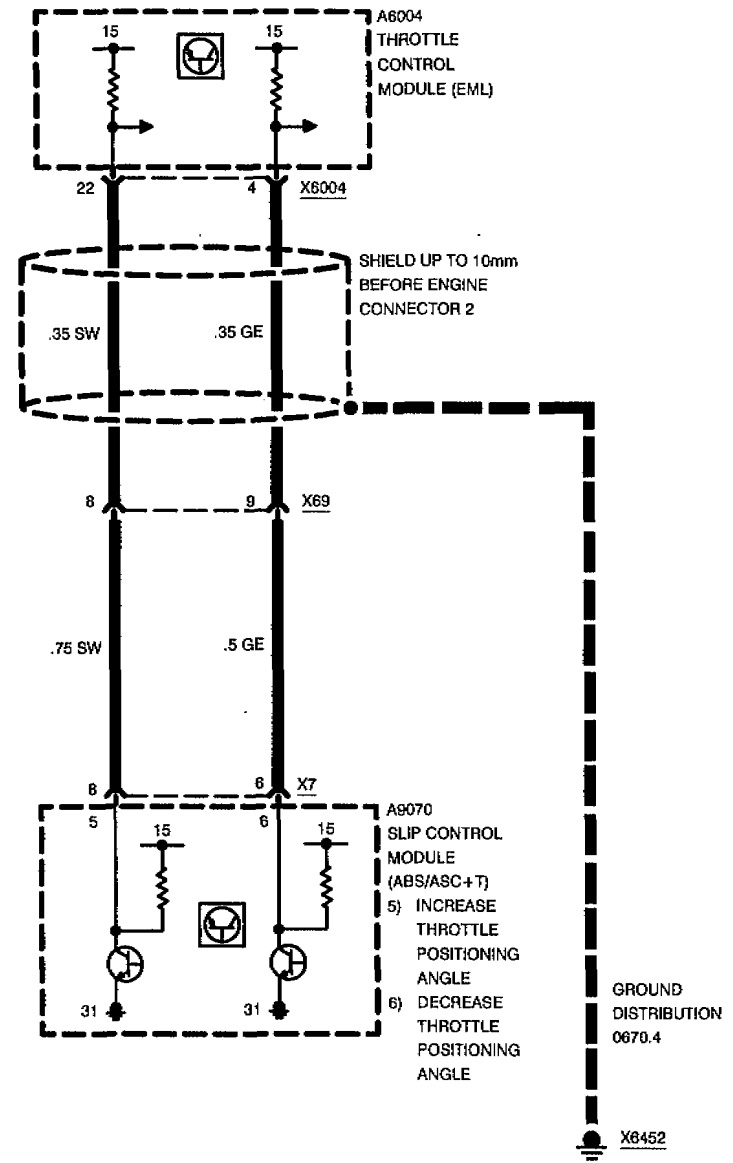
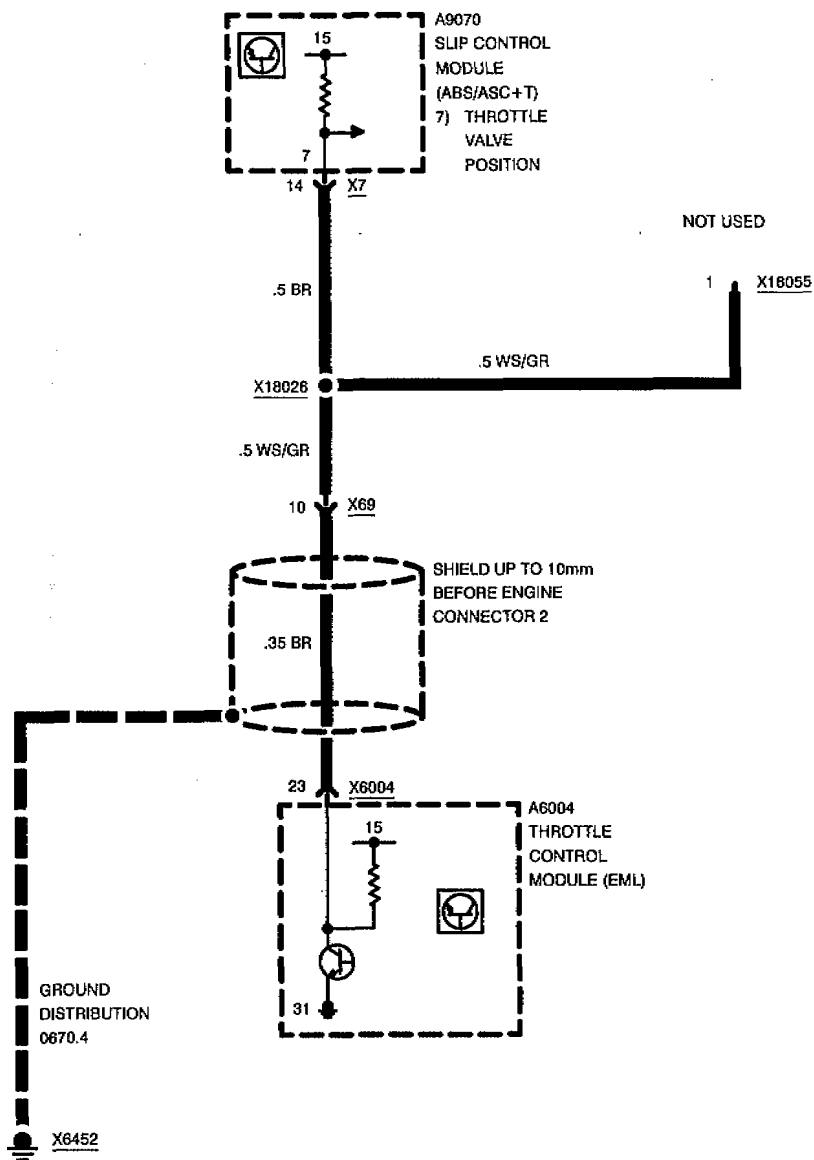
3450.5-04

95/96



SLIP CONTROL 5 (ASC 5)

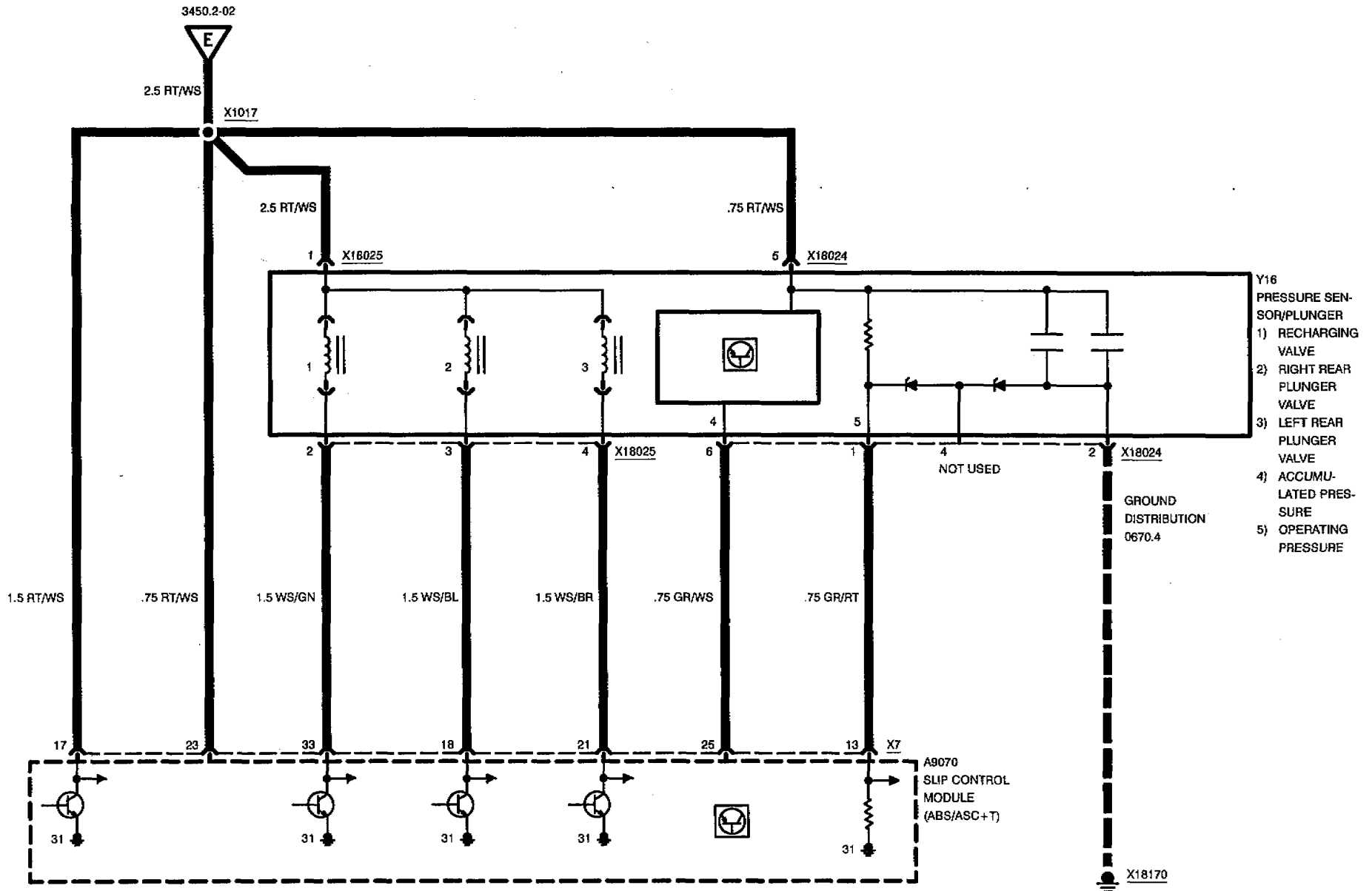
850CSi





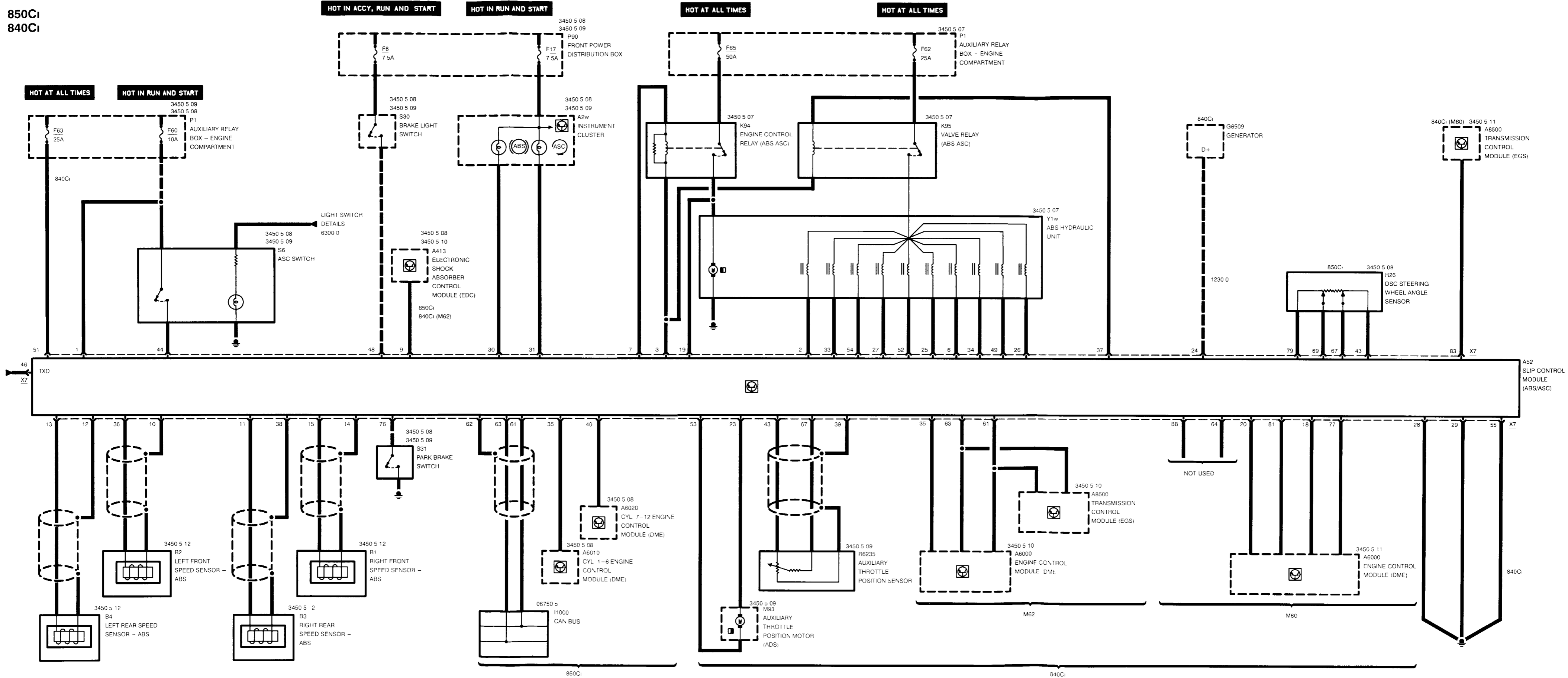
SLIP CONTROL 5 (ASC 5)

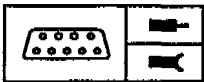
850CSi



- Y16
PRESSURE SENSOR/PLUNGER
- 1) RECHARGING VALVE
 - 2) RIGHT REAR PLUNGER VALVE
 - 3) LEFT REAR PLUNGER VALVE
 - 4) ACCUMULATED PRESSURE
 - 5) OPERATING PRESSURE

850Ci
840Ci



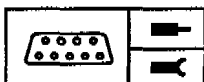


Pin Assignments

X7

Pin	Type	Description/Function	Connection
1	E	Battery voltage	Fuse F60, Auxiliary Relay Box
2	A	Left front inlet valve	ABS hydraulic unit
3	A	ABS/ASC valve relay, ABS/ASC engine control relay	ABS/ASC valve relay, ABS/ASC engine control relay
4		Not used	
5		Not used	
6	A	Right rear inlet valve	ABS hydraulic unit
7	A	Voltage signal	Engine control relay (ABS/ASC)
8		Not used	
9	A	Left front wheel speed sensor	Electronic shock absorber control module (EDC) (850Ci, 840Ci-M62)
10	A	Left front speed sensor ground	Left front speed sensor
11	E	Right rear speed sensor voltage signal	Right rear speed sensor (ABS)
12	A	Left rear speed sensor ground	Left rear speed sensor
13	A	Left rear speed voltage signal	Left rear speed sensor (ABS)
14	A	Right front speed sensor ground	Right front speed sensor
15	E	Right front speed sensor voltage signal	Right front speed sensor (ABS)
16		Not used	
17		Not used	
18	E	EML-signal	Engine control module (DME) (840Ci-M60)
19	E	ABS/ASC engine control relay, voltage signal	ABS/ASC engine control relay
20	E	Engine speed signal	Engine control module (840Ci-M60)
21		Not used	
22		Not used	
23	A	Auxiliary throttle position motor, voltage	ADS throttle position motor
24	E	Terminal 61 D+	Generator (840Ci)
25	A	Left rear outlet valve	ABS hydraulic unit
26	A	Pressure intake valve	ABS hydraulic unit
27	A	Right front outlet valve	ABS hydraulic unit

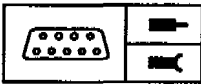
E = Input, A = Output, M = Ground



Pin Assignments

Pin	Type	Description/Function	Connection
28	M	Ground	Ground point
29	M	Ground	Ground point
30	A	Voltage signal, ABS warning lamp	Instrument cluster
31	A	ASC multi-function lamp	Instrument cluster
32		Not used	
33	A	Left front outlet valve	ABS hydraulic unit
34	A	Right rear outlet valve	ABS hydraulic unit
35	A	Right rear wheel speed signal	Engine control module (DME) (840Ci-M62) Cyl. 1-6 engine control module (DME) (850Ci)
36	E	Left front speed sensor, voltage signal	Left front speed sensor (ABS)
37	A	Voltage signal, ABS/ASC valve relay	ABS valve relay
38	A	Right rear speed sensor ground	Right rear speed sensor
39	A	Throttle control potentiometer ground	Throttle control potentiometer (840Ci)
40	A	Left rear wheel speed signal	Cyl. 7-12 engine control module (DME) (850Ci)
41		Not used	
42		Not used	
43	A	Sensor (+)	PSC steering wheel angle sensor (850Ci)
43	A	Throttle control potentiometer, voltage	Throttle flap potentiometer (ASC) (840Ci)
44	E	ASC passive button voltage signal	ASC switch
45		Not used	
46	E/A	TxD diagnostic data line	Data link connector
47		Not used	
48	E	Brake light signal	Brake light switch
49	A	Plunger valve	ABS hydraulic unit
50		Not used	
51	E	Voltage supply	Fuse F63, Auxiliary Relay Box (840Ci)
52	A	Left rear inlet valve	ABS hydraulic unit
53	M	Auxiliary throttle position motor, ground	ADS throttle position motor (840Ci)
54	A	Left front inlet valve	ABS hydraulic unit
55	M	Ground	Ground point (840Ci)
56		Not used	

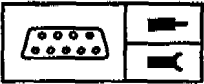
E = Input, A = Output, M = Ground



Pin Assignments

Pin	Type	Description/Function	Connection
57		Not used	
58		Not used	
59		Not used	
60		Not used	
61	E/A	CAN-H	CAN BUS (850Ci) Engine - Transmission control module (840Ci)
62	M	CAN-S	Shield (850Ci)
63	E/A	CAN-L	CAN BUS (850Ci) Engine - Transmission control module (840Ci)
64		Not used	
65		Not Used	
66		Not used	
67	E	Steering wheel position 2	DSC steering wheel angle sensor (850Ci)
67	E	Throttle control potentiometer, signal	Throttle flap potentiometer (ASC) (840Ci)
68		Not used	
69	E	Steering wheel position 1	DSC steering wheel angle sensor (850Ci)
70		Not used	
71		Not used	
72		Not used	
73		Not used	
74		Not used	
75		Not used	
76	E	Park brake signal	Park brake switch
77	A	Ignition timing set	Engine control module (DME) (840Ci-M60)
78		Not used	
79	M	Sensor ground	DSC steering wheel angle sensor (850Ci)
80		Not used	
81	E	Signal line	Engine control module (DME) (840Ci-M60)
82		Not used	
83	A	Transmission intervention	Transmission control unit (EGS) (840Ci-M60)
84		Not used	
85		Not used	
86		Not used	

E = Input, A = Output, M = Ground

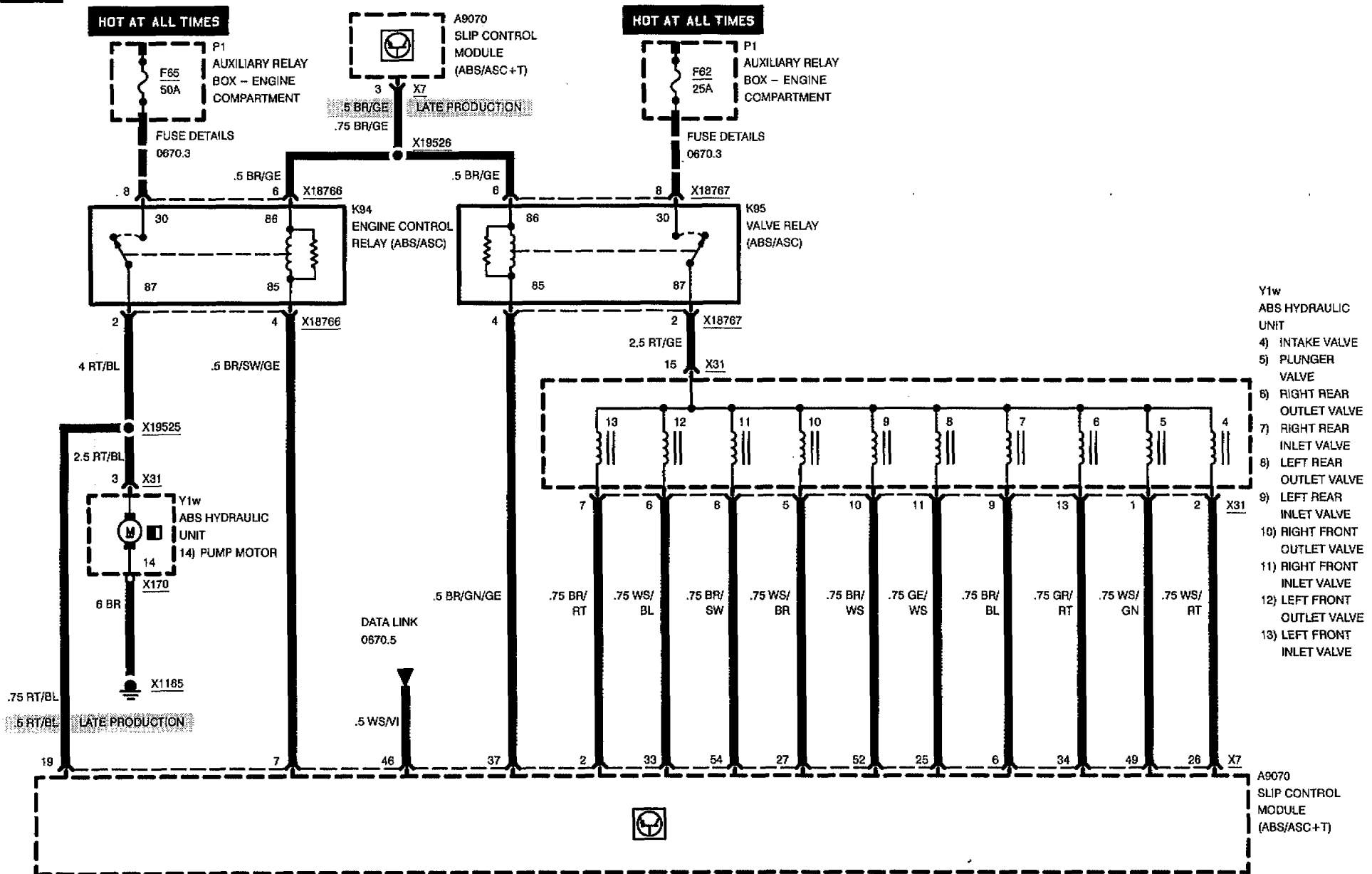


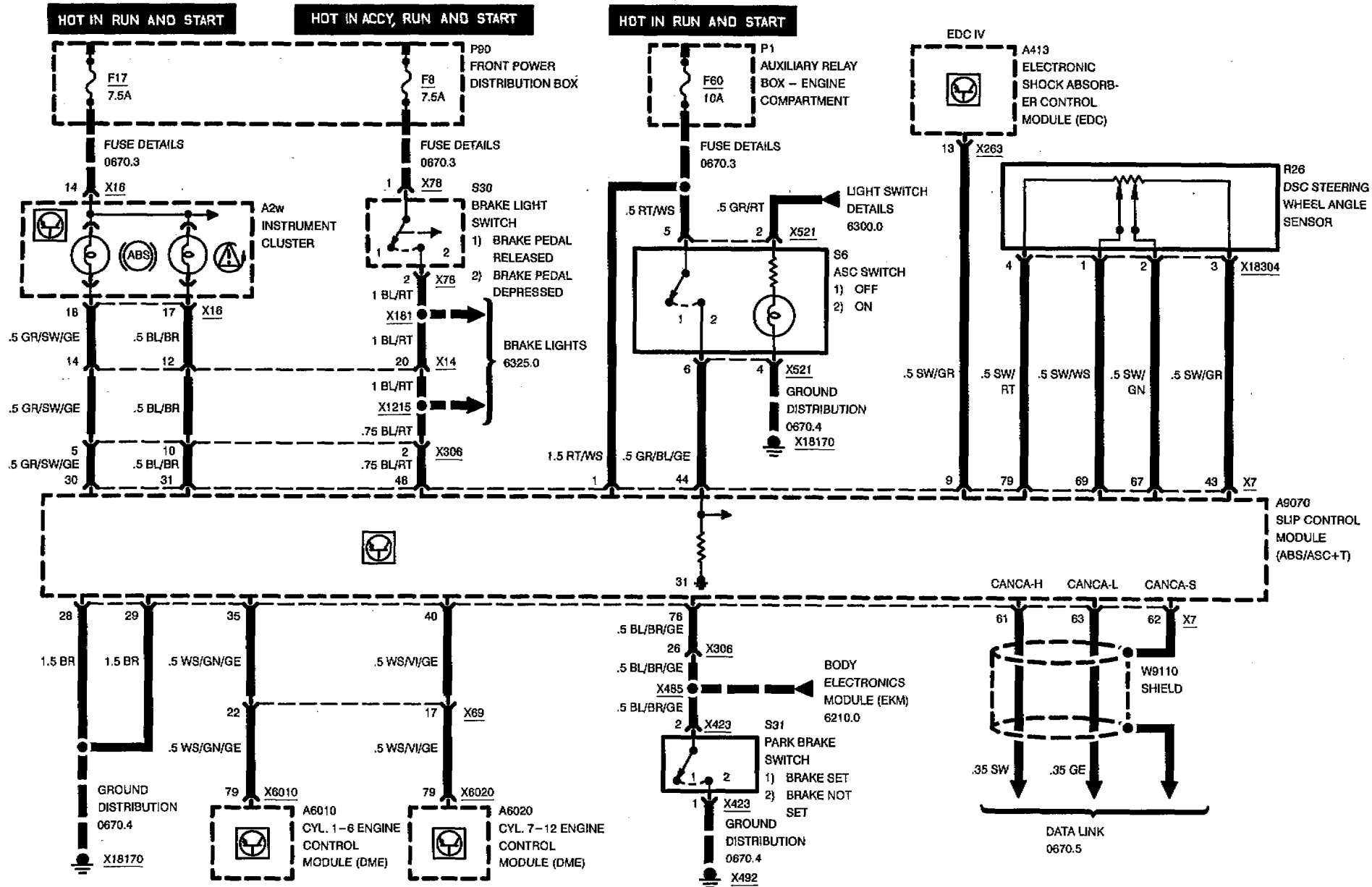
Pin Assignments

Pin	Type	Description/Function	Connection
87		Not used	
88		Not used	



SLIP CONTROL 5 (ASC 5)

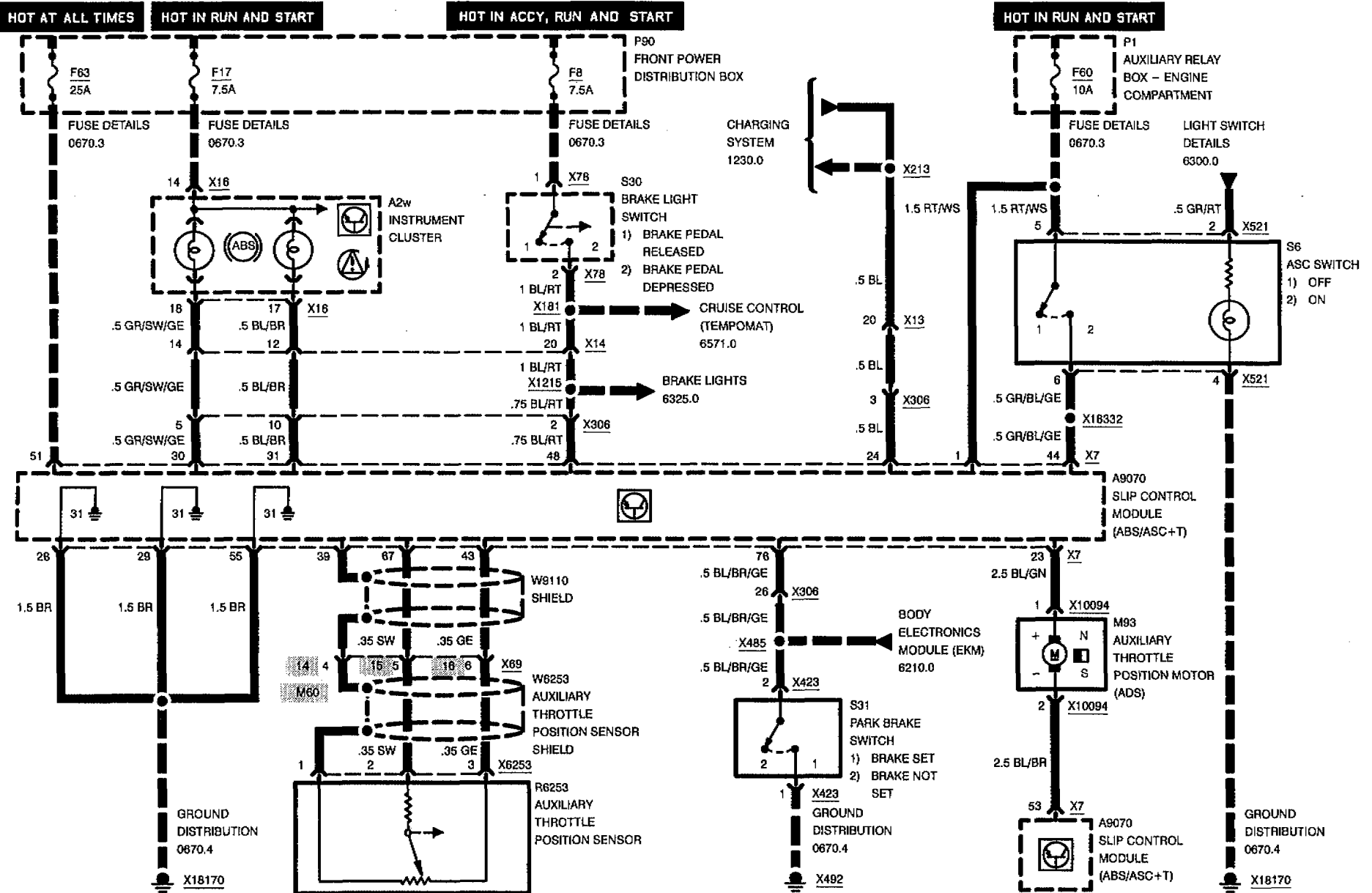




02/97

3450.5-08

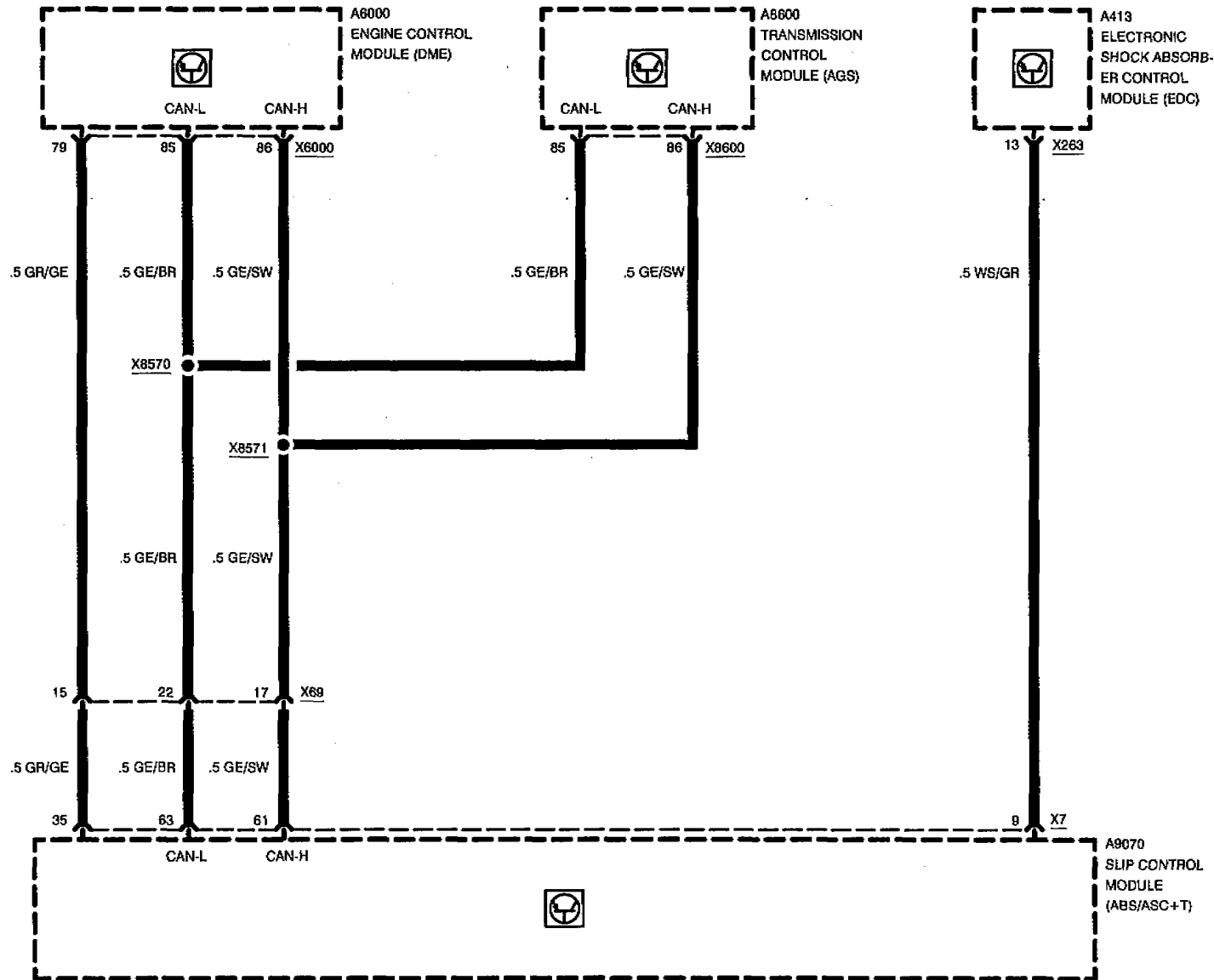
95/96





SLIP CONTROL 5 (ASC 5)

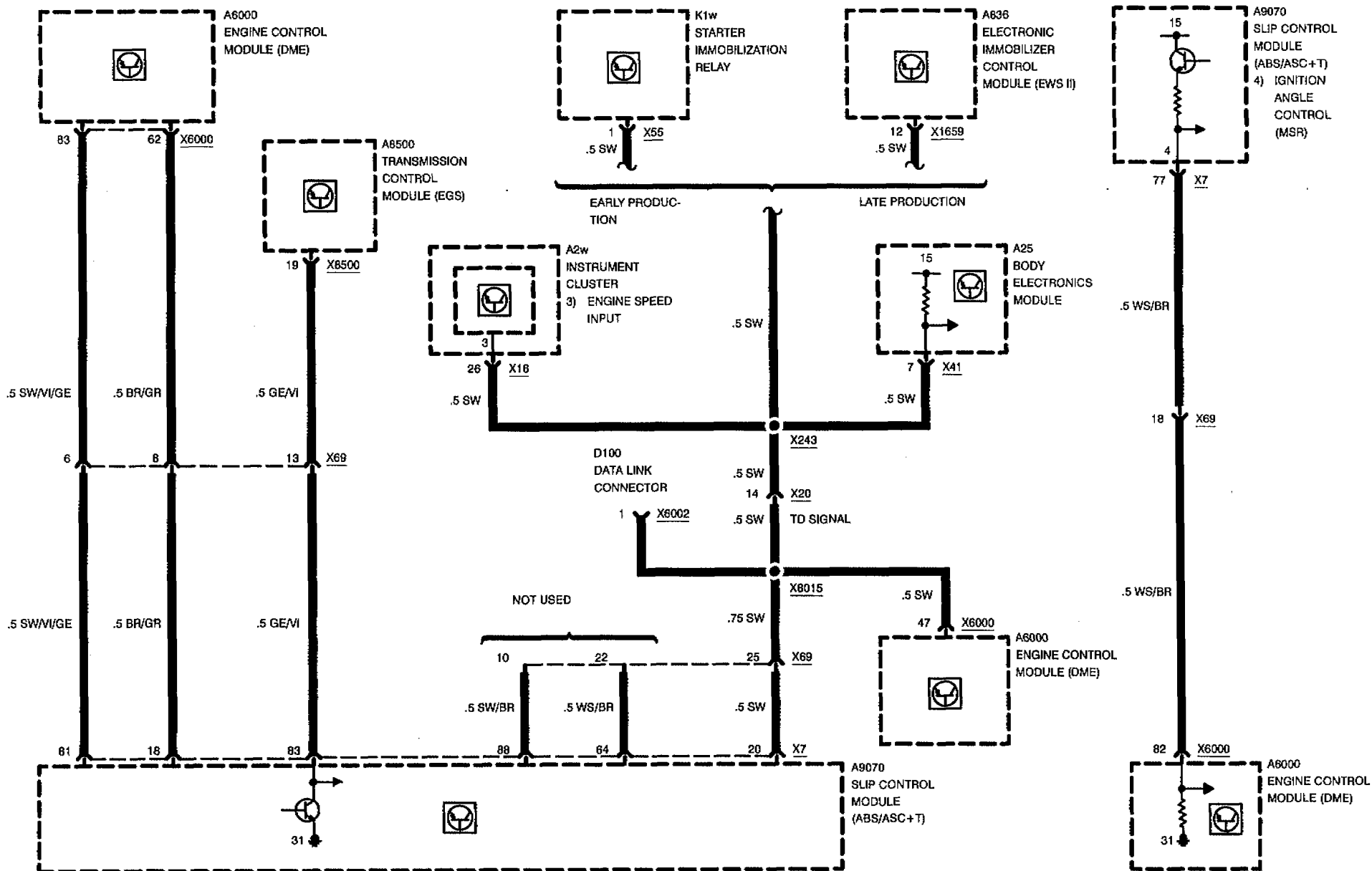
840Ci (M62)





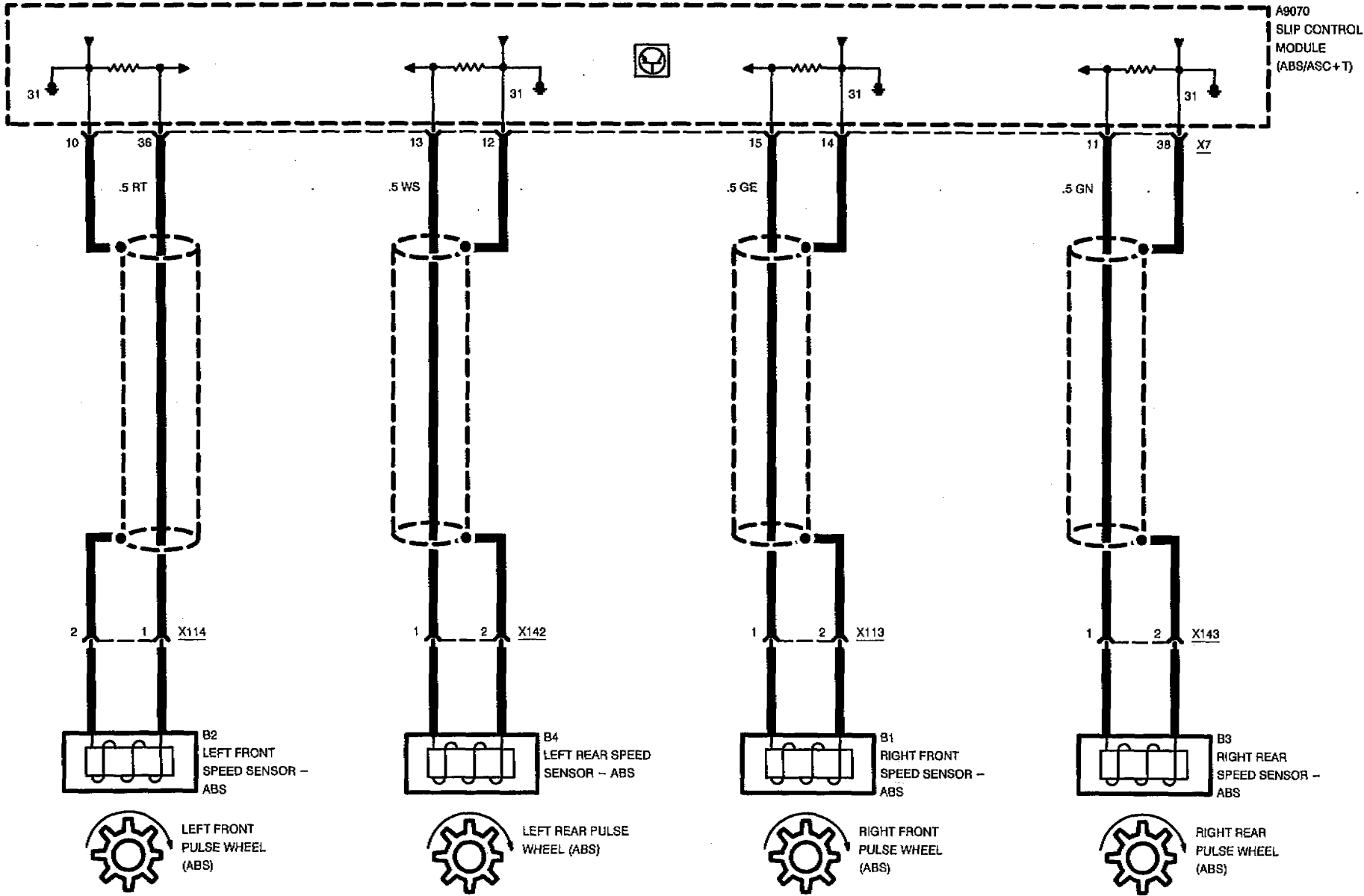
SLIP CONTROL 5 (ASC 5)

840Ci (M60)





SLIP CONTROL 5 (ASC 5)



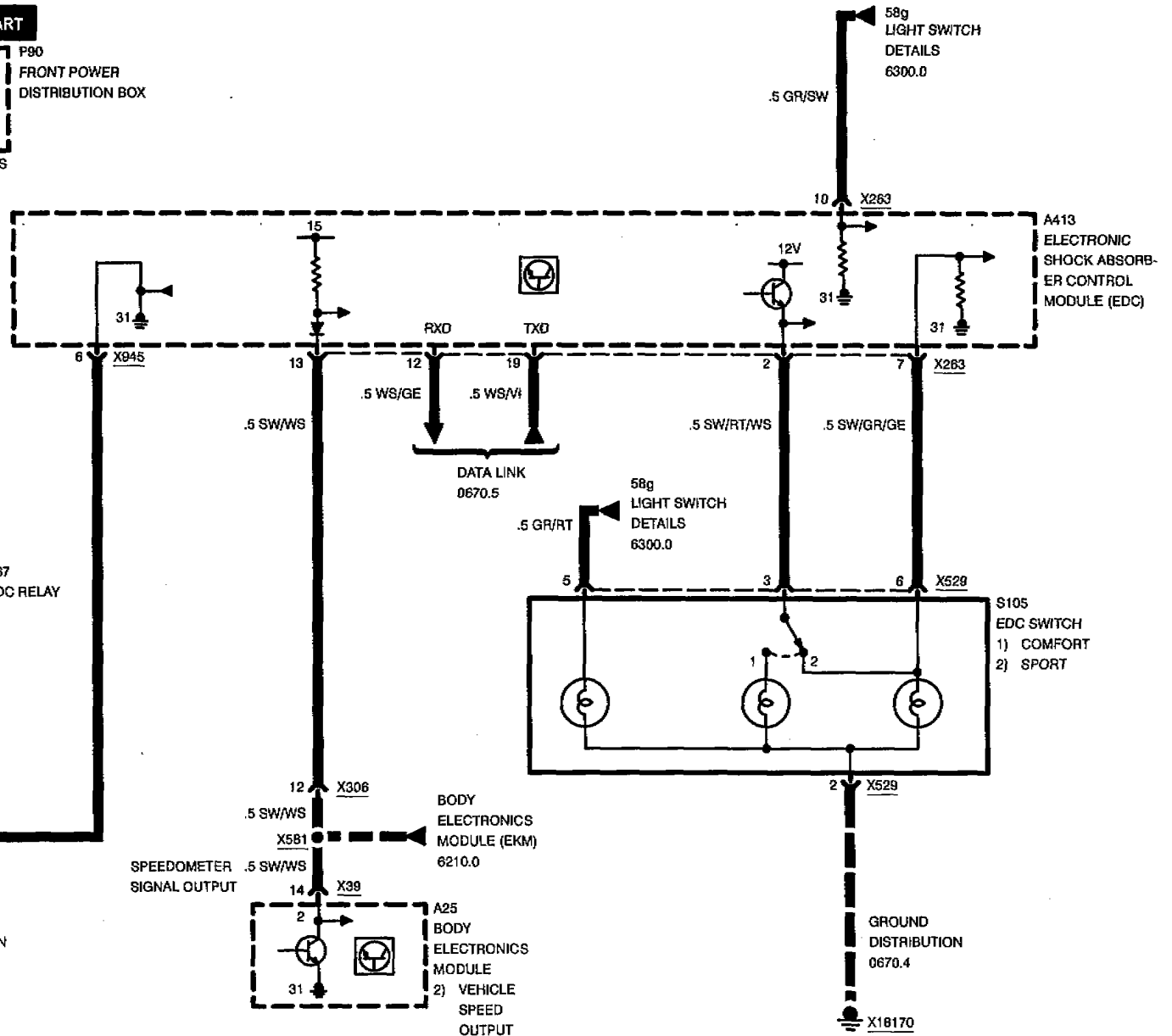
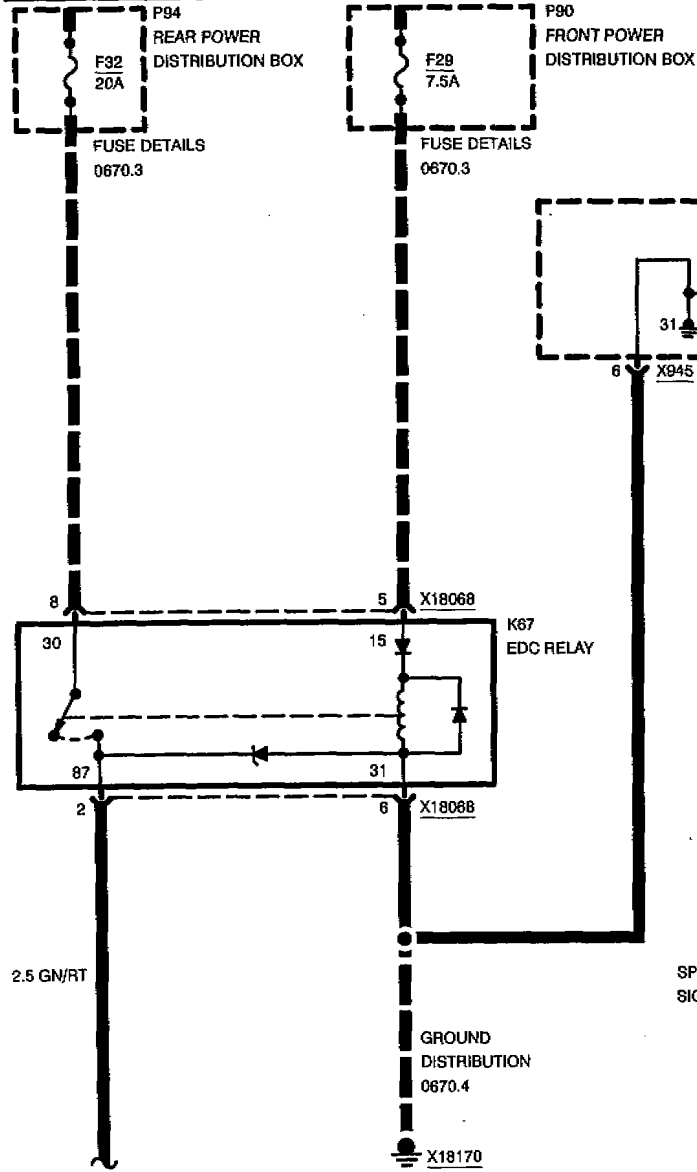


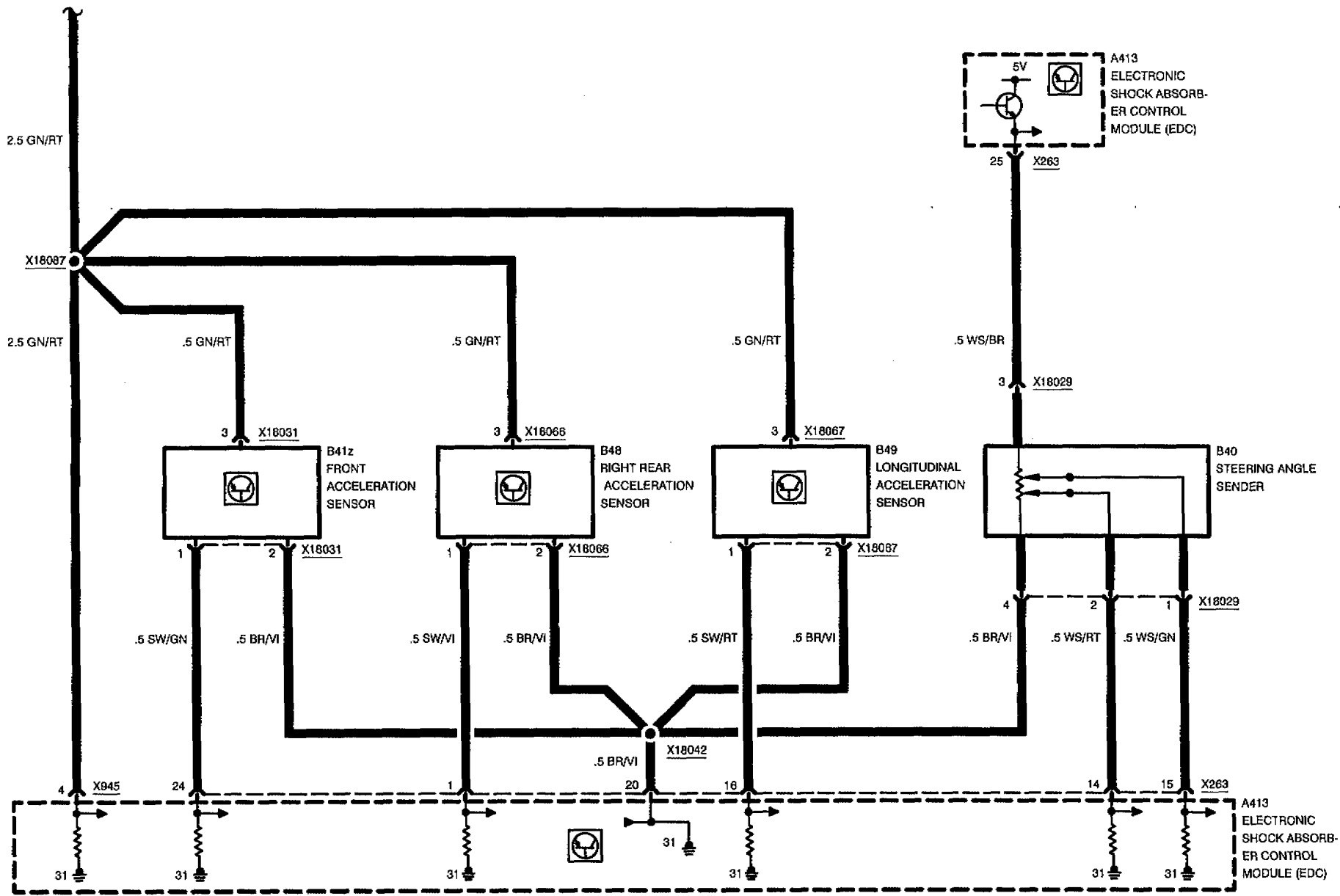


ELECTRONIC SHOCK ABSORBER CONTROL (EDC III+)

HOT AT ALL TIMES

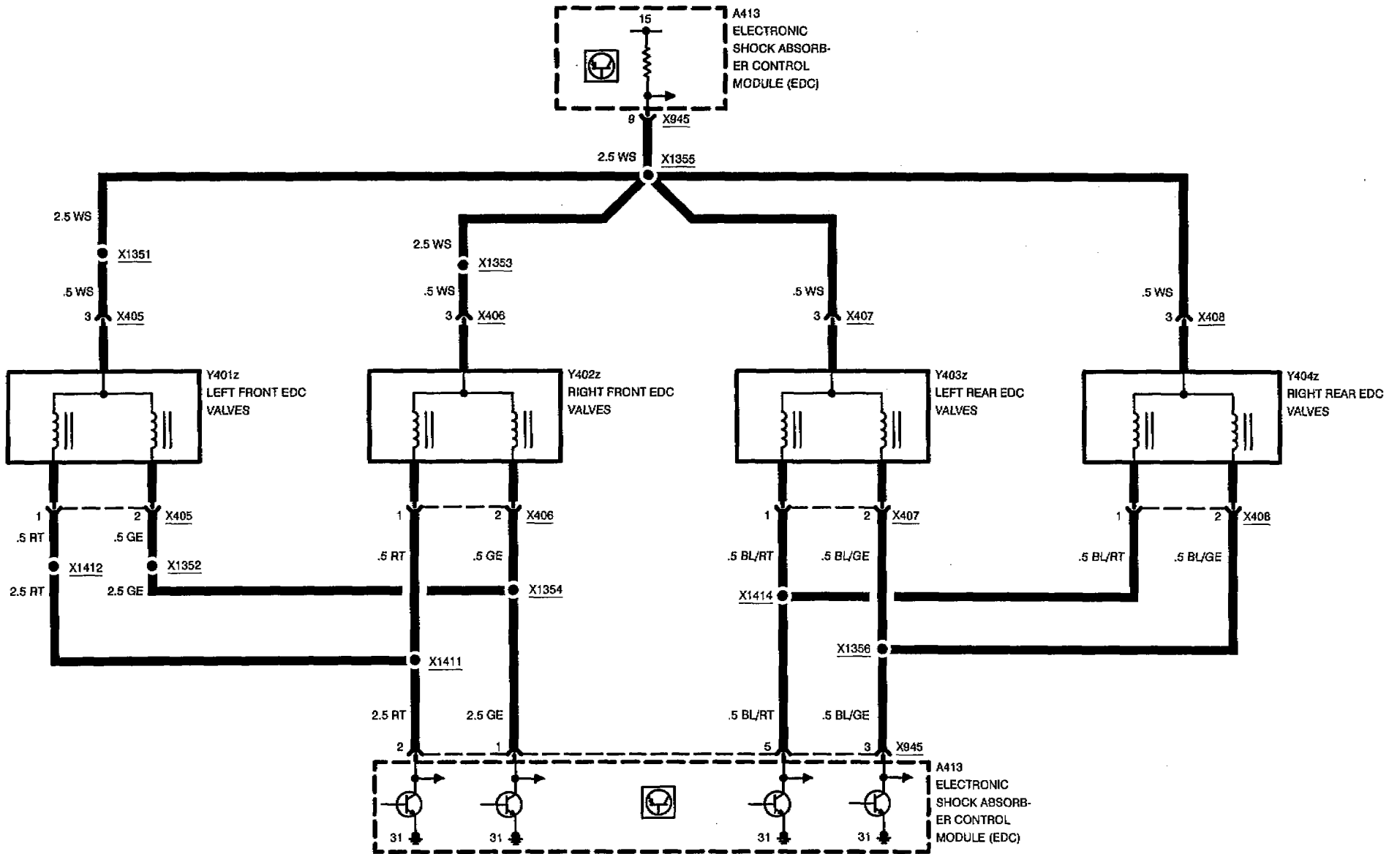
HOT IN RUN AND START







ELECTRONIC SHOCK ABSORBER CONTROL (EDC III+)

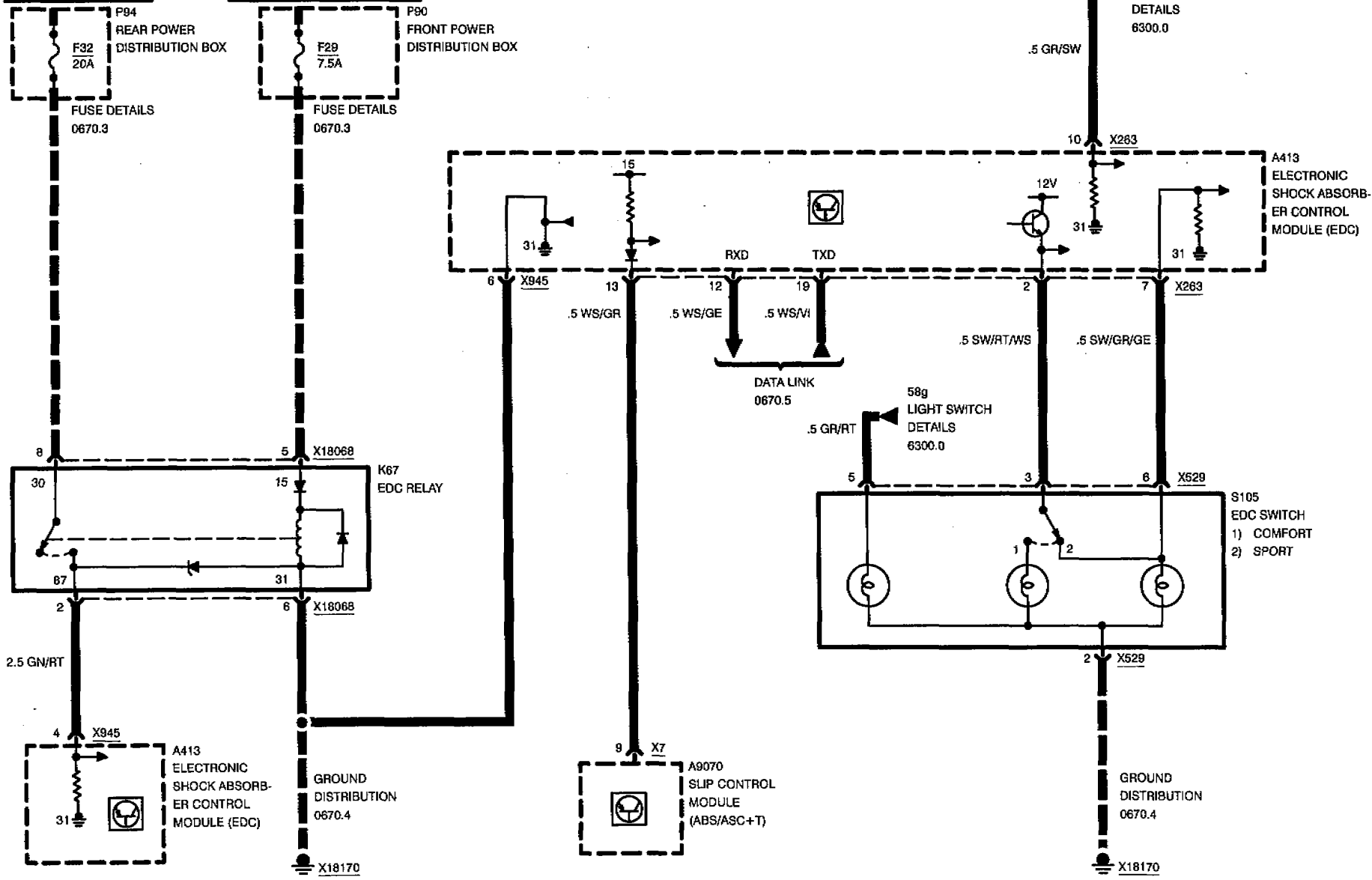




ELECTRONIC SHOCK ABSORBER CONTROL (EDC IV)

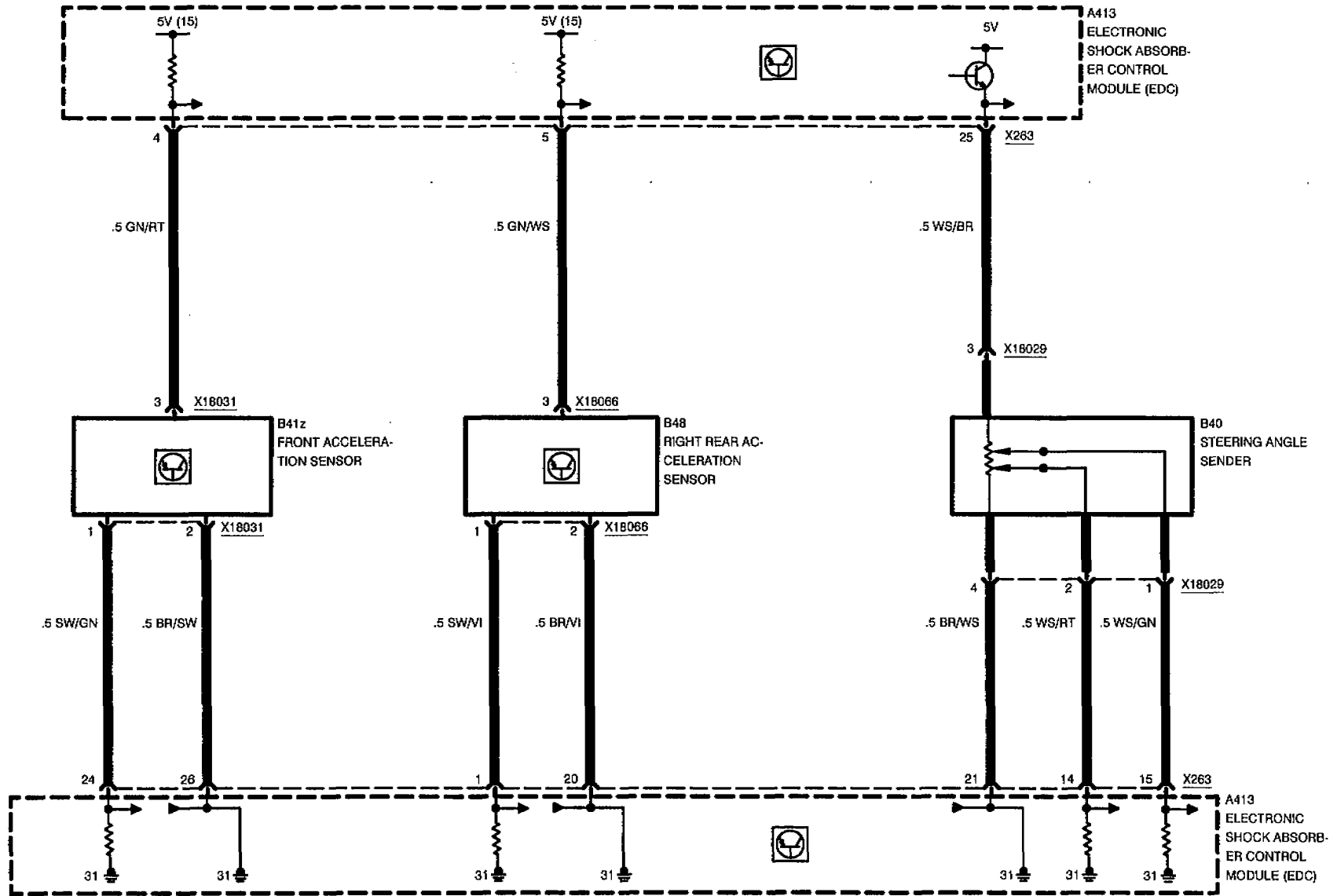
HOT AT ALL TIMES

HOT IN RUN AND START



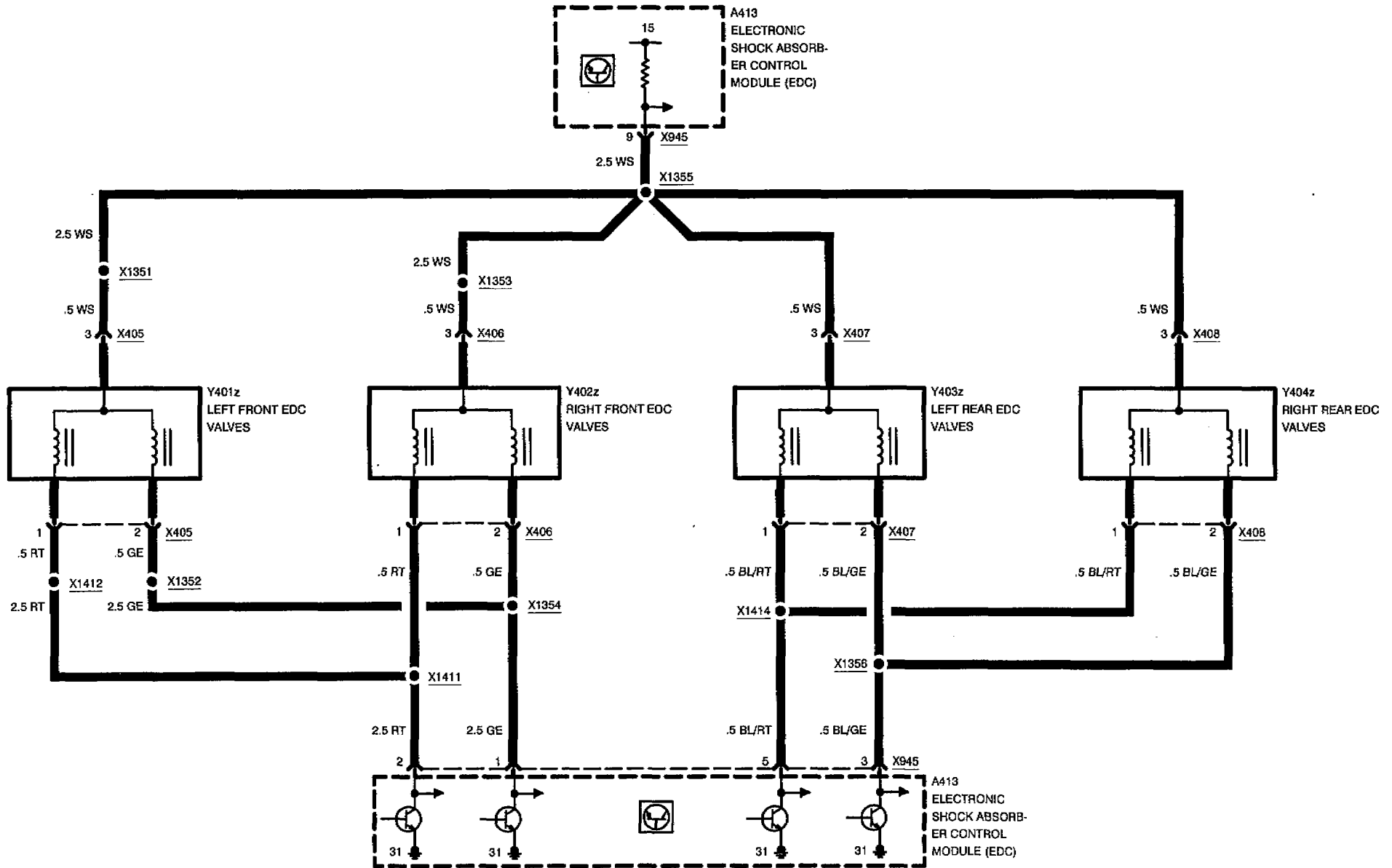


ELECTRONIC SHOCK ABSORBER CONTROL (EDC IV)





ELECTRONIC SHOCK ABSORBER CONTROL (EDC IV)

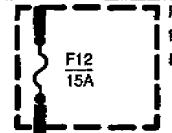






POWER MIRRORS CONTACT RING

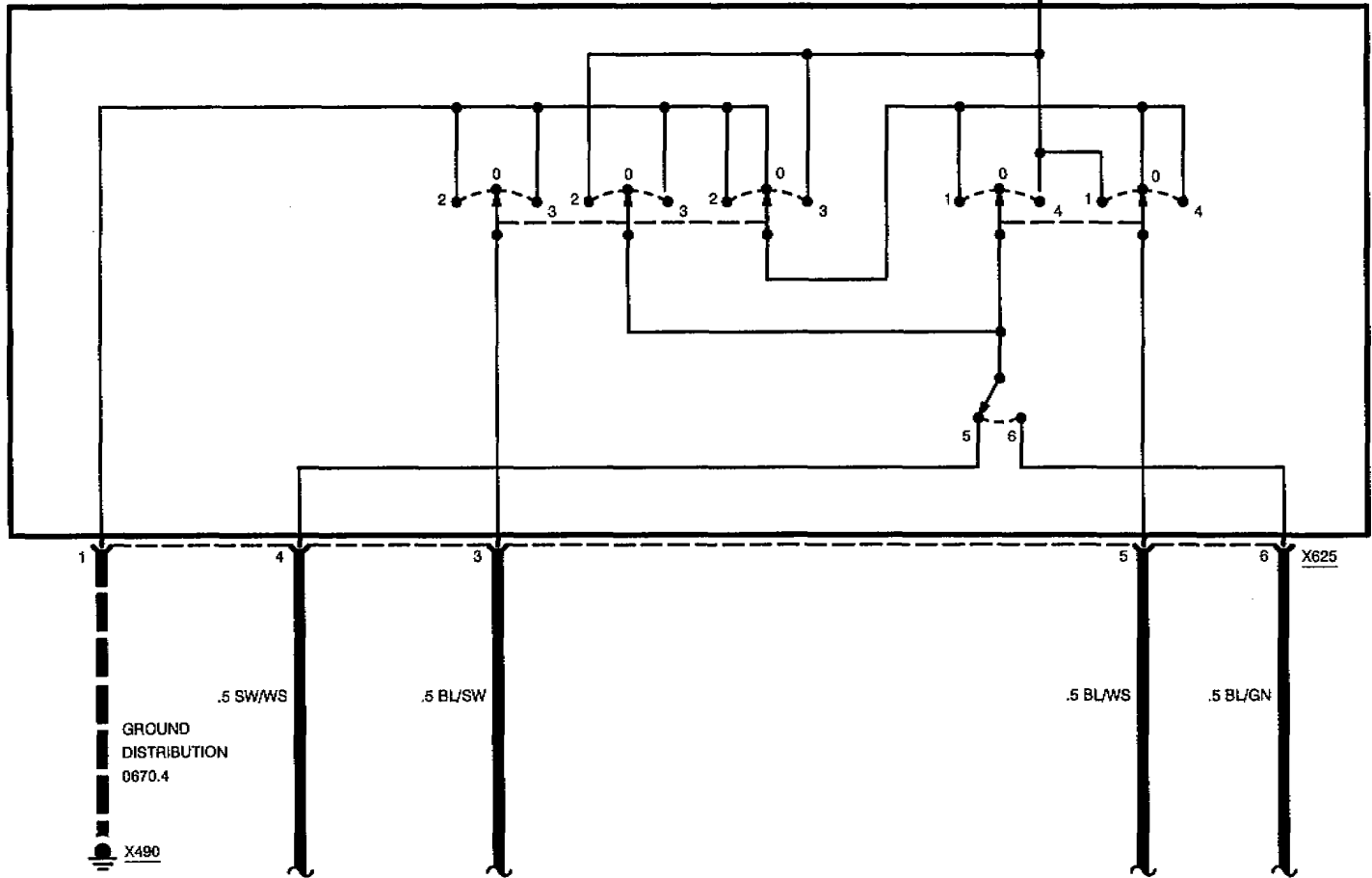
HOT IN RUN AND START



P90
FRONT POWER
DISTRIBUTION BOX

FUSE DETAILS
0670.3

2 X825

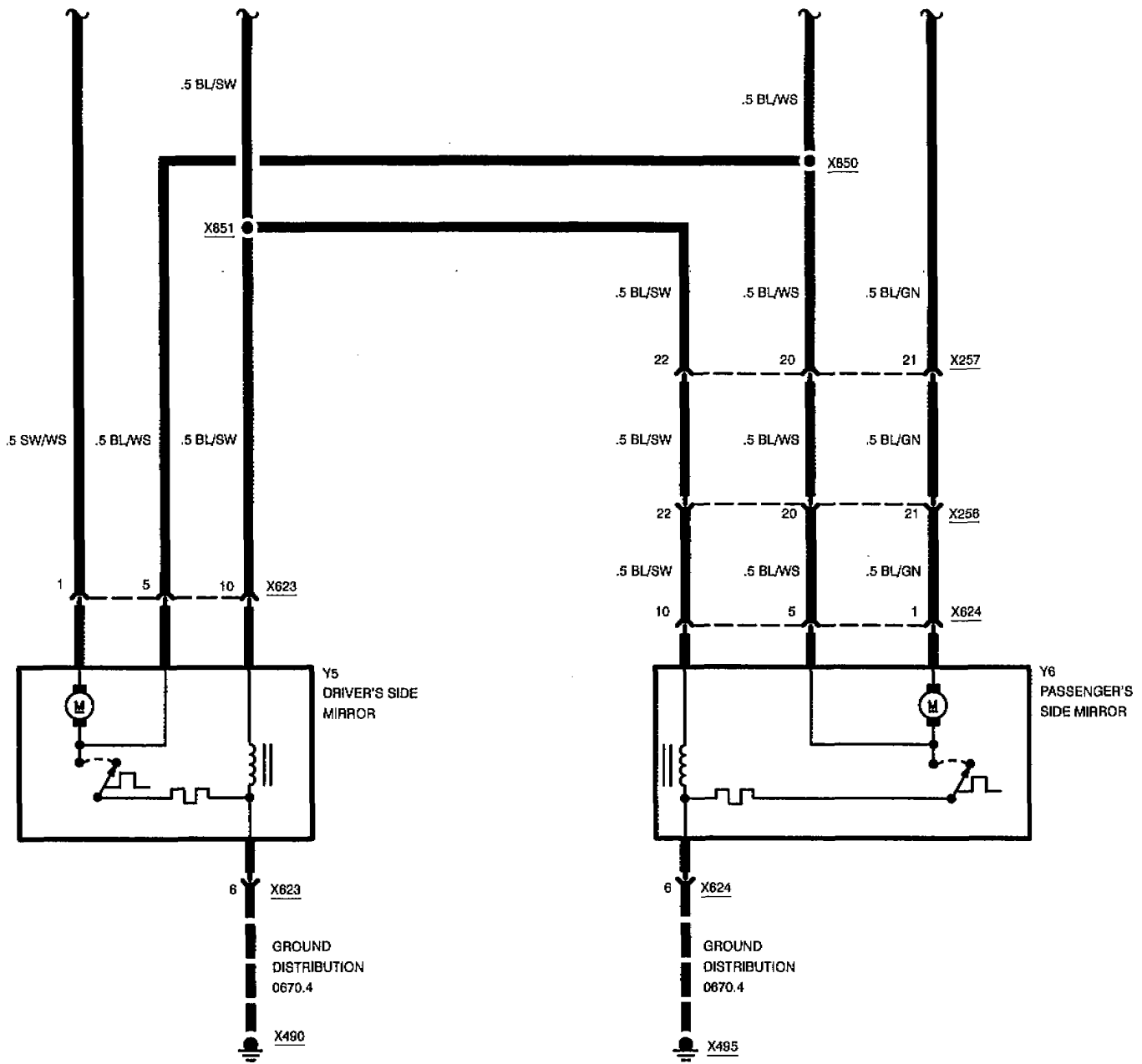


S17
MIRROR CONTROL
SWITCH
0) OFF
1) UP
2) LEFT
3) RIGHT
4) DOWN
5) DRIVER'S SIDE
6) PASSENGER'S
SIDE



GROUND
DISTRIBUTION
0670.4

X490



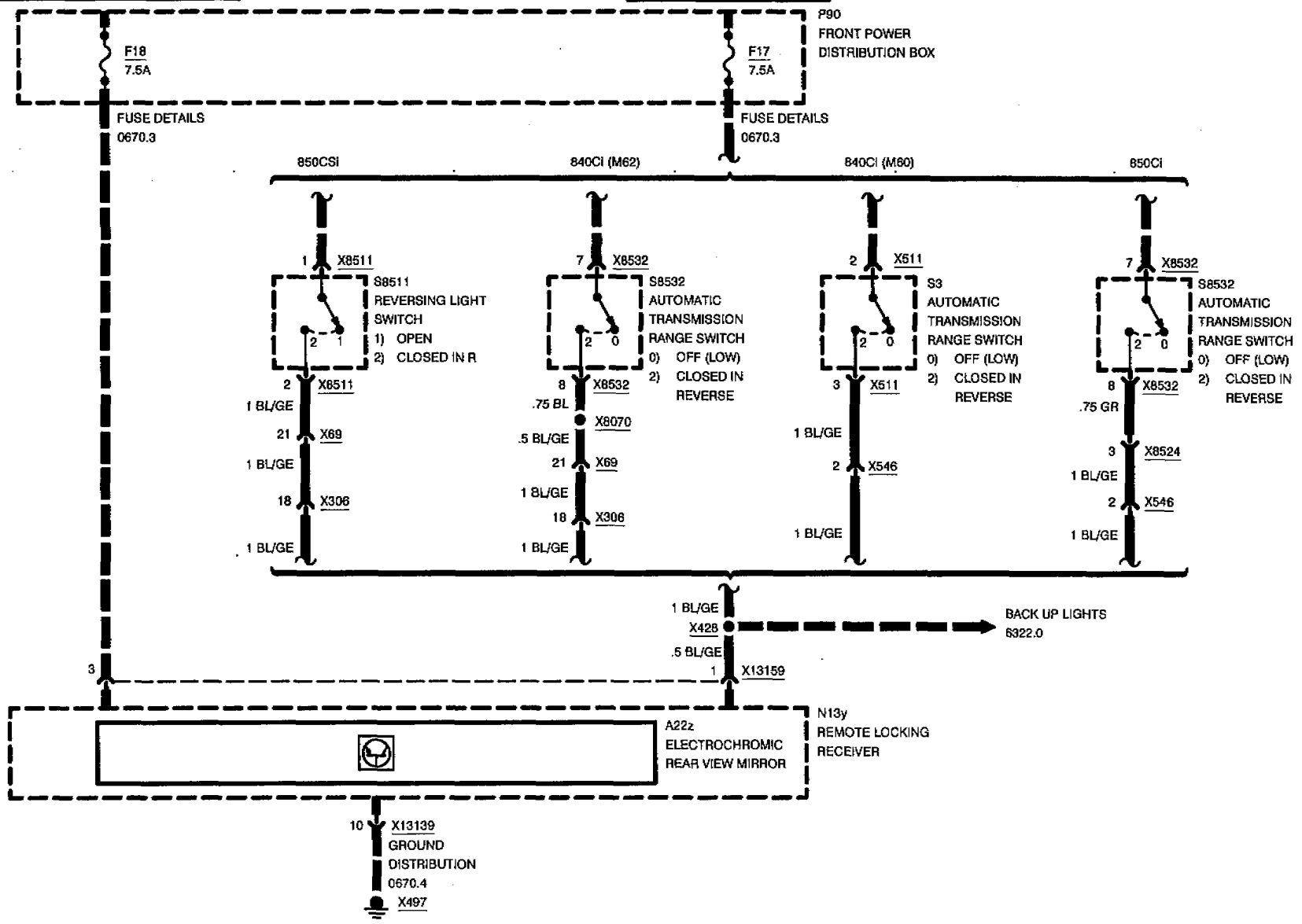


POWER MIRRORS

INSIDE MIRROR

HOT IN ACCY, RUN AND START

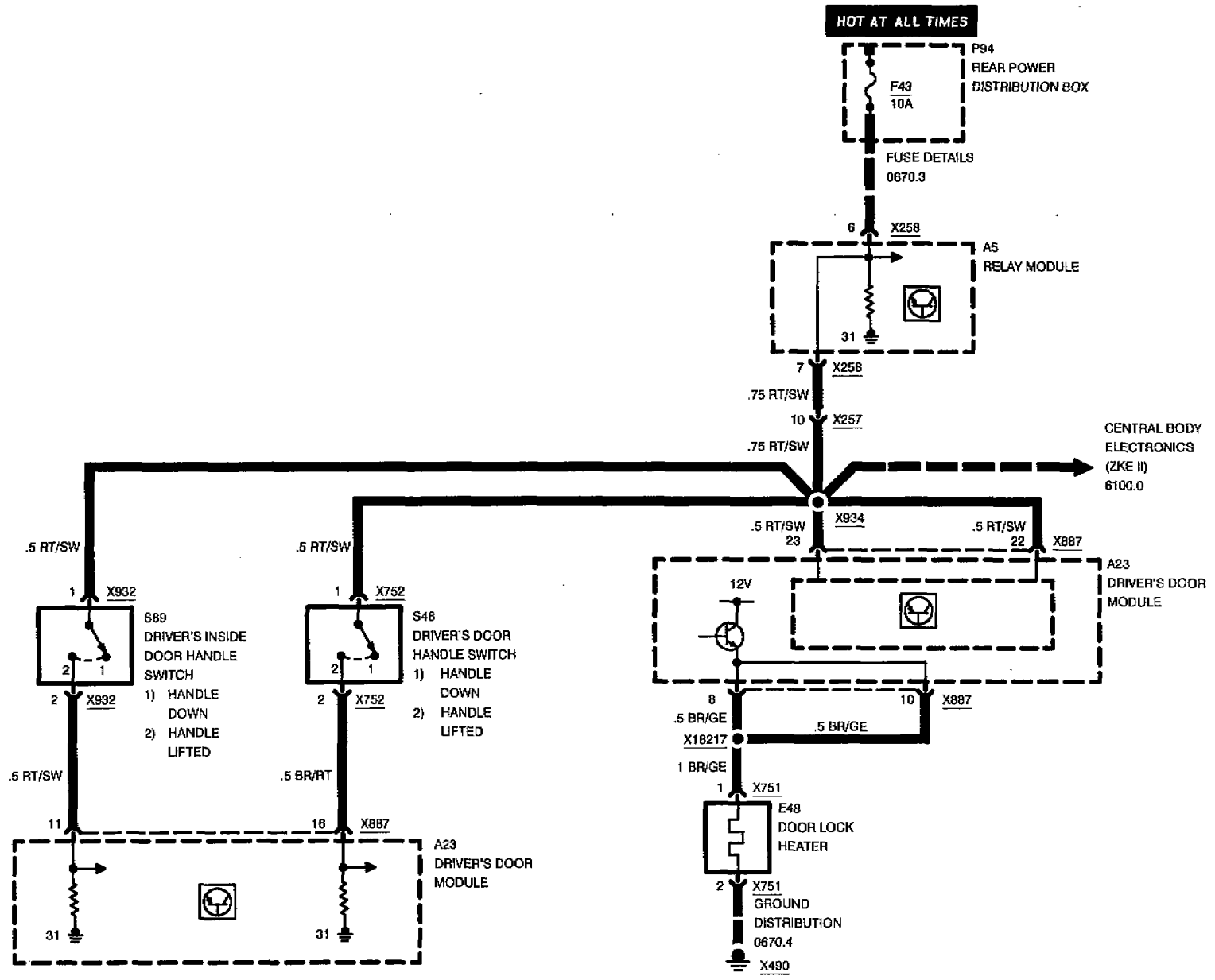
HOT IN RUN AND START







ZKE DOOR LOCK HEATING (TSH)



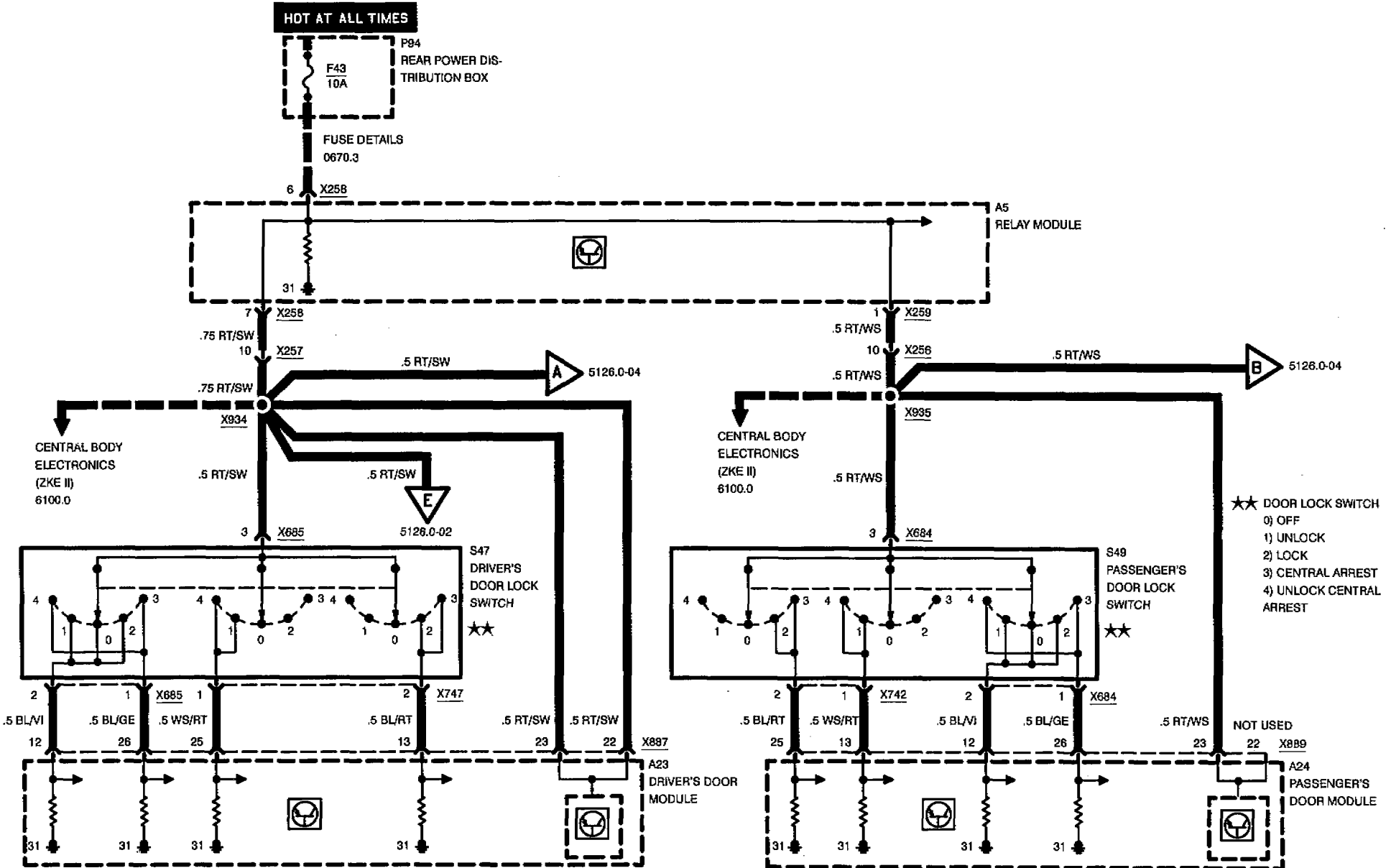




ZKE CENTRAL LOCKING (ZV) INPUTS

EARLY PRODUCTION

HOT AT ALL TIMES

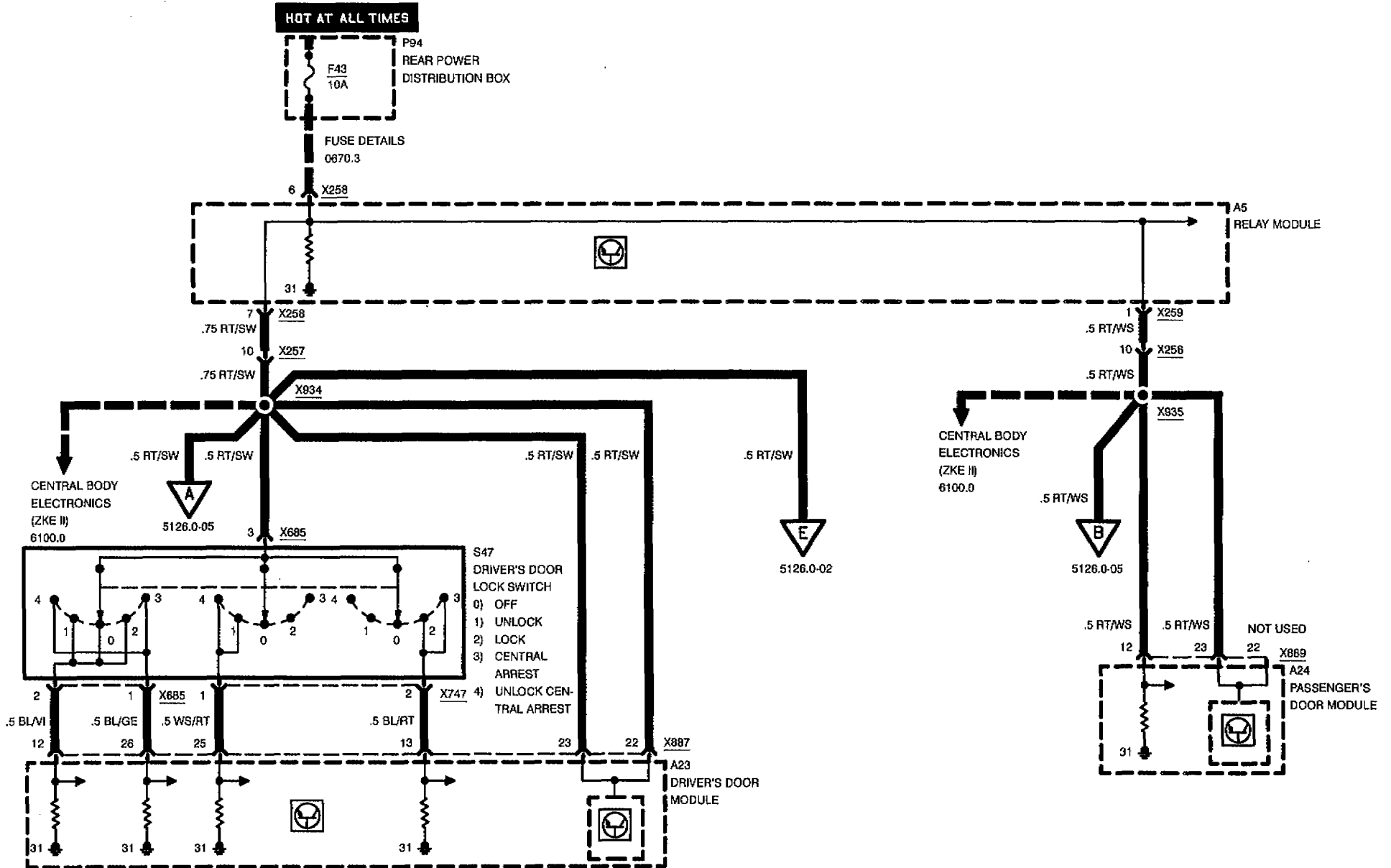


- ★★ DOOR LOCK SWITCH
- 0) OFF
 - 1) UNLOCK
 - 2) LOCK
 - 3) CENTRAL ARREST
 - 4) UNLOCK CENTRAL ARREST



ZKE CENTRAL LOCKING (ZV) (INPUTS)

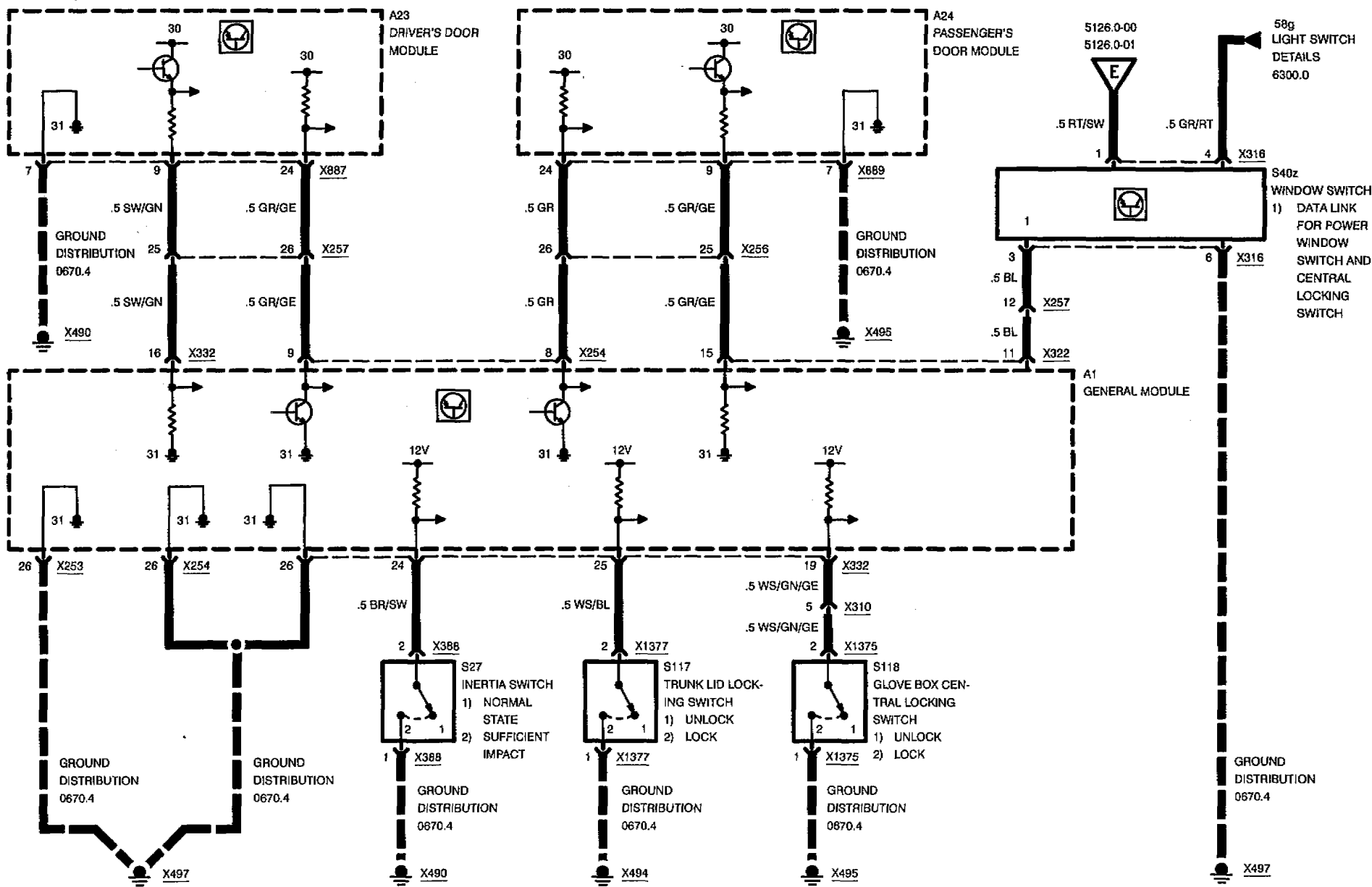
LATE PRODUCTION





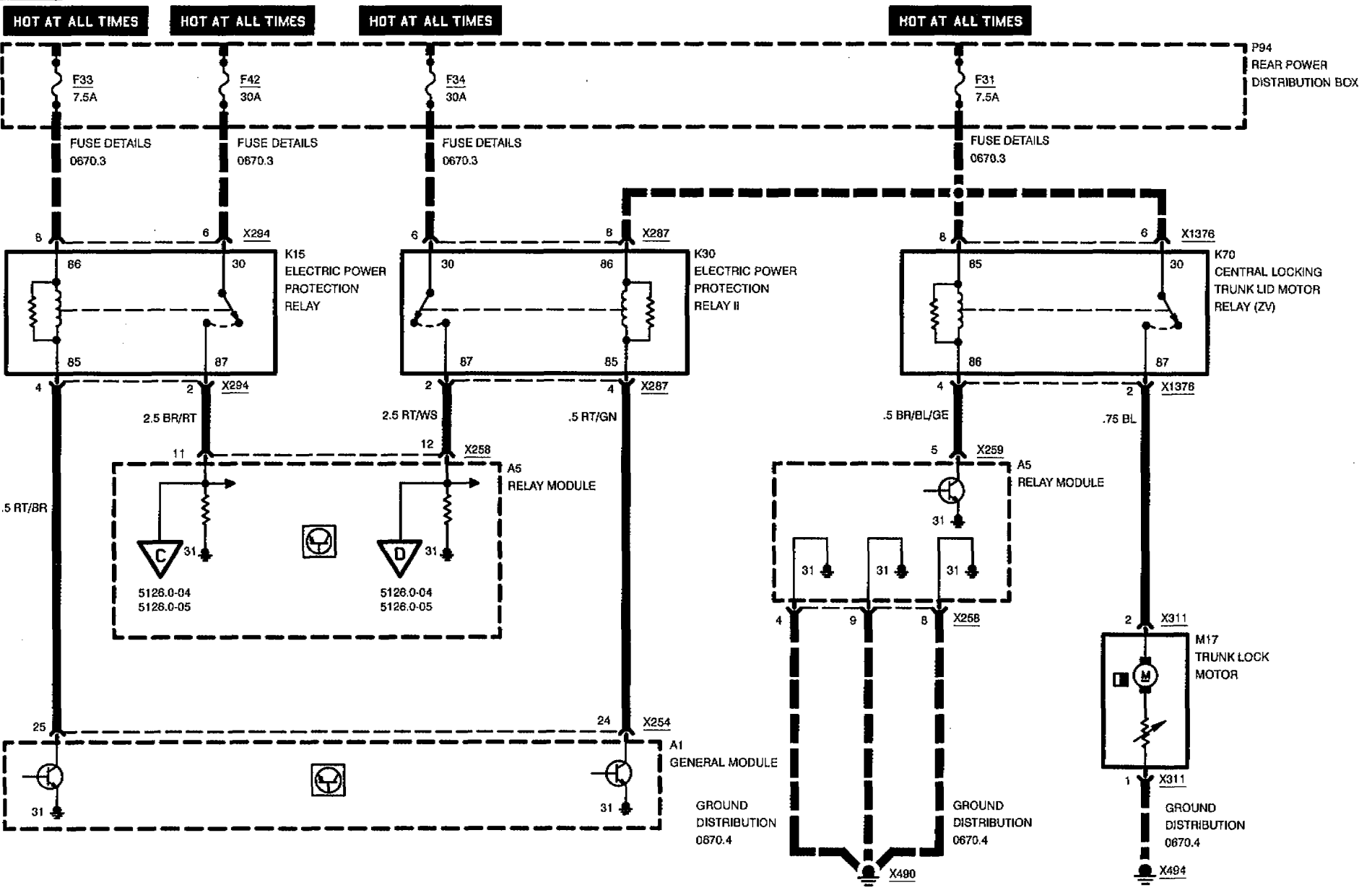
ZKE CENTRAL LOCKING (ZV)

(INPUTS)





ZKE CENTRAL LOCKING (ZV)

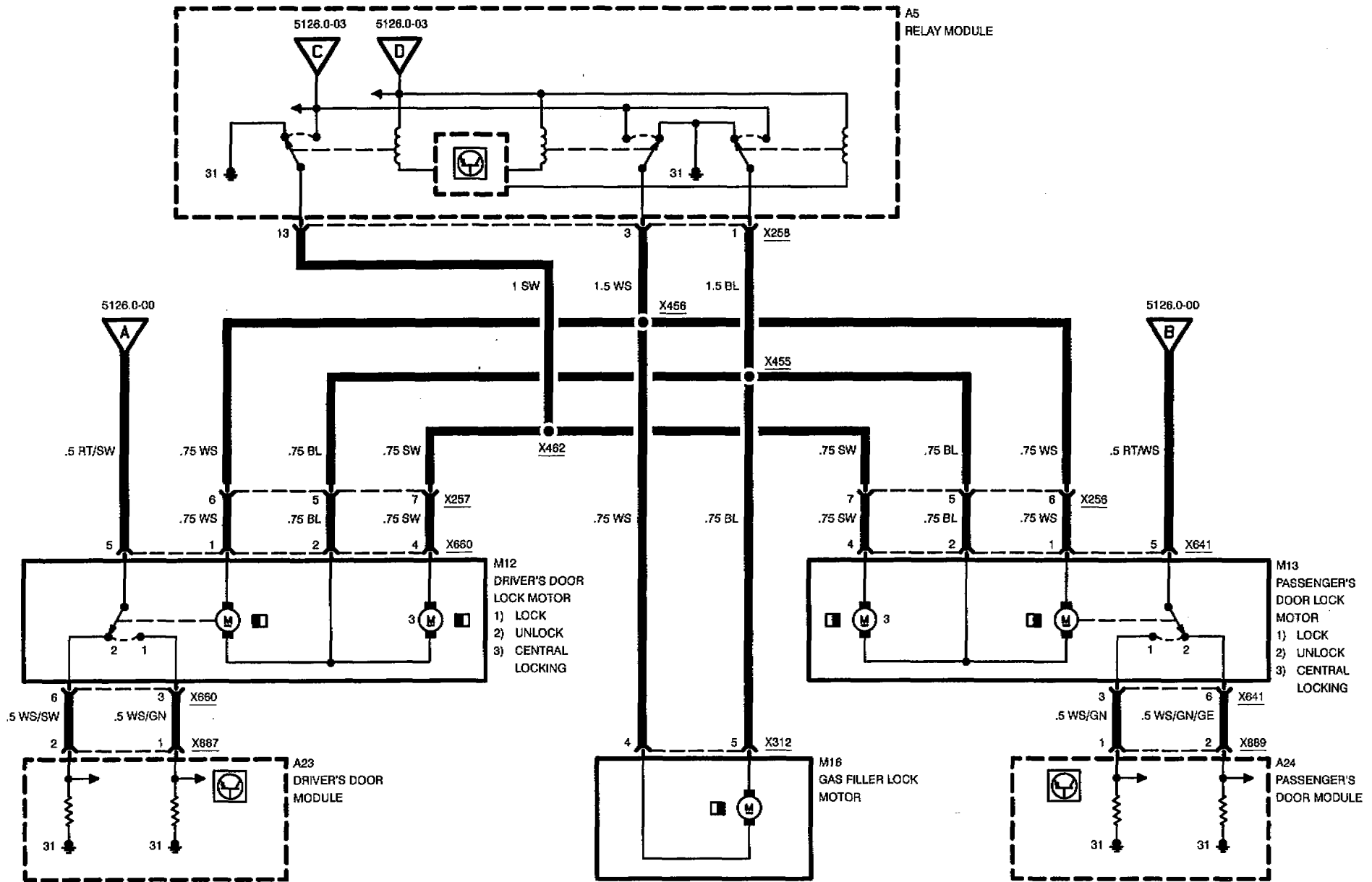




ZKE CENTRAL LOCKING (ZV)

(OUTPUTS)

EARLY PRODUCTION

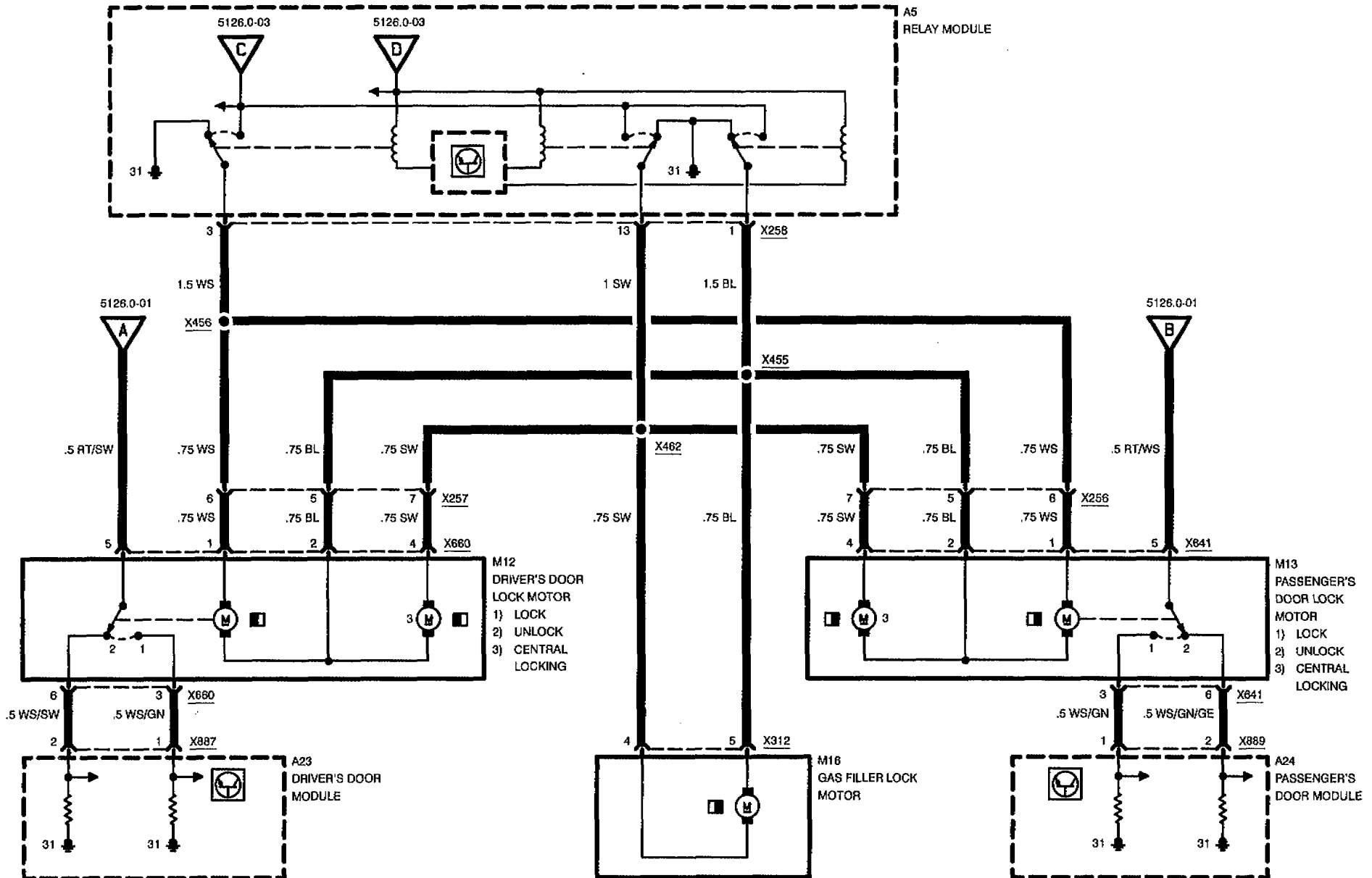




ZKE CENTRAL LOCKING (ZV)

(OUTPUTS)

LATE PRODUCTION



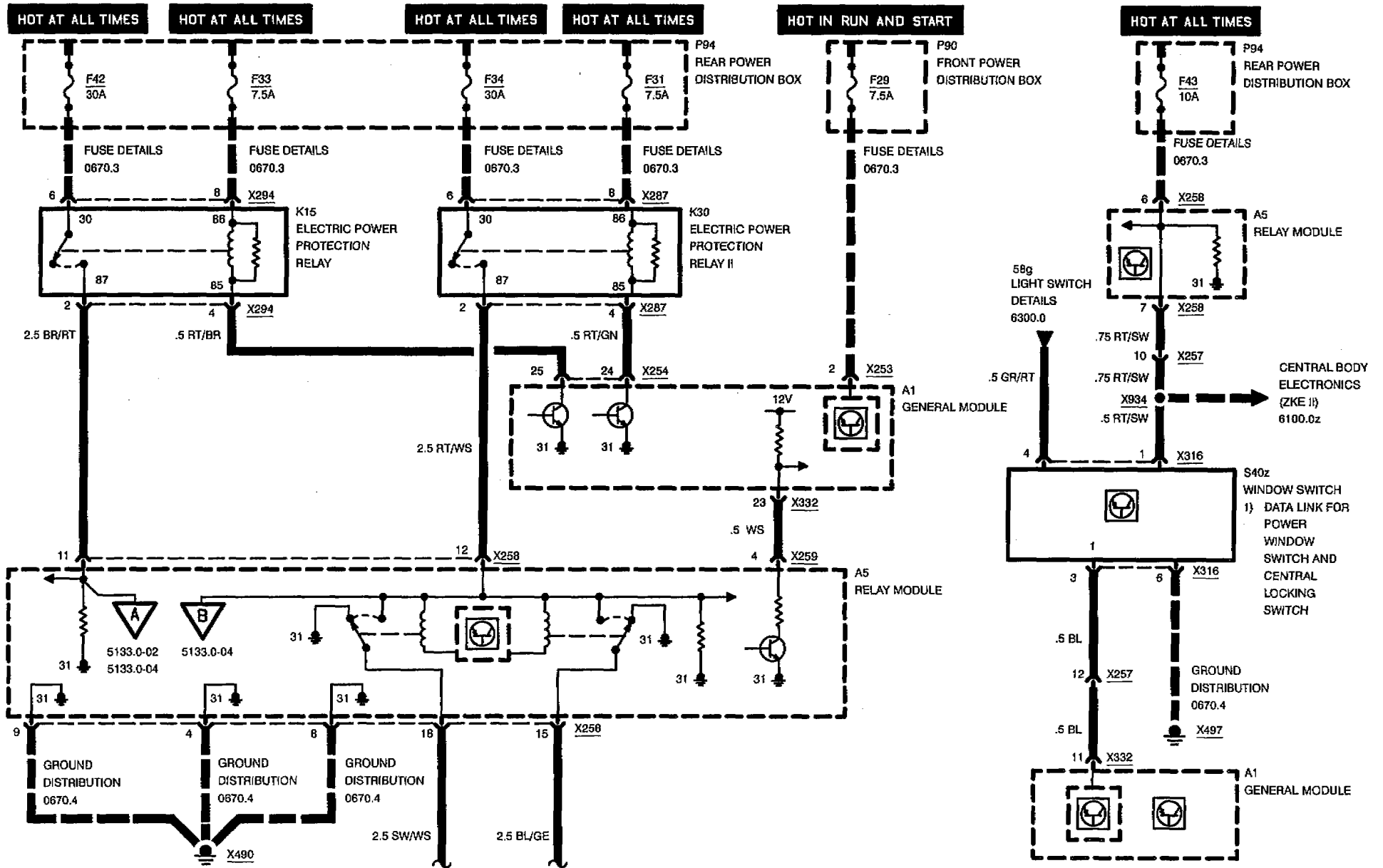
02/97

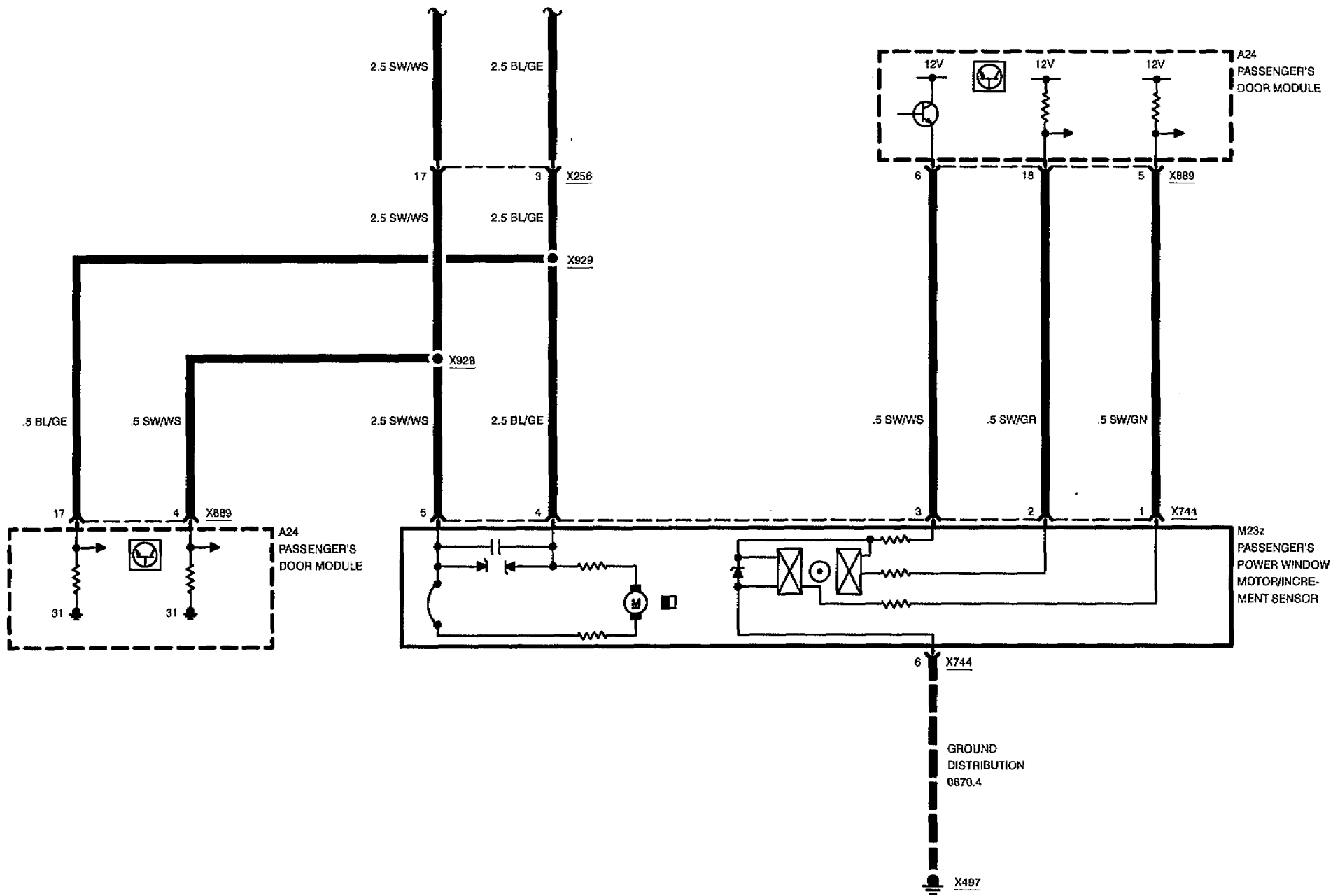
5126.0-05

95/96



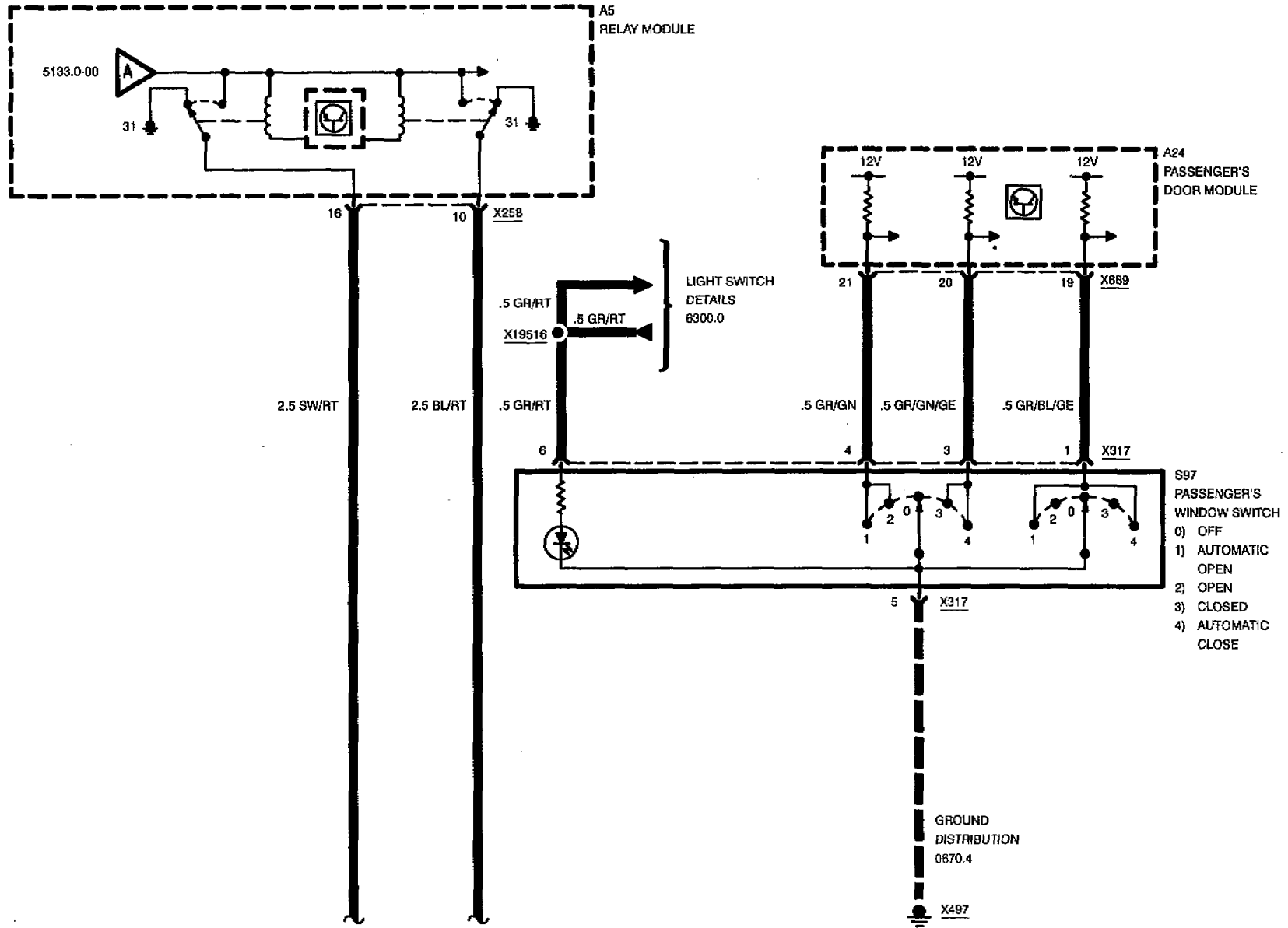
ZKE POWER WINDOWS (FH)

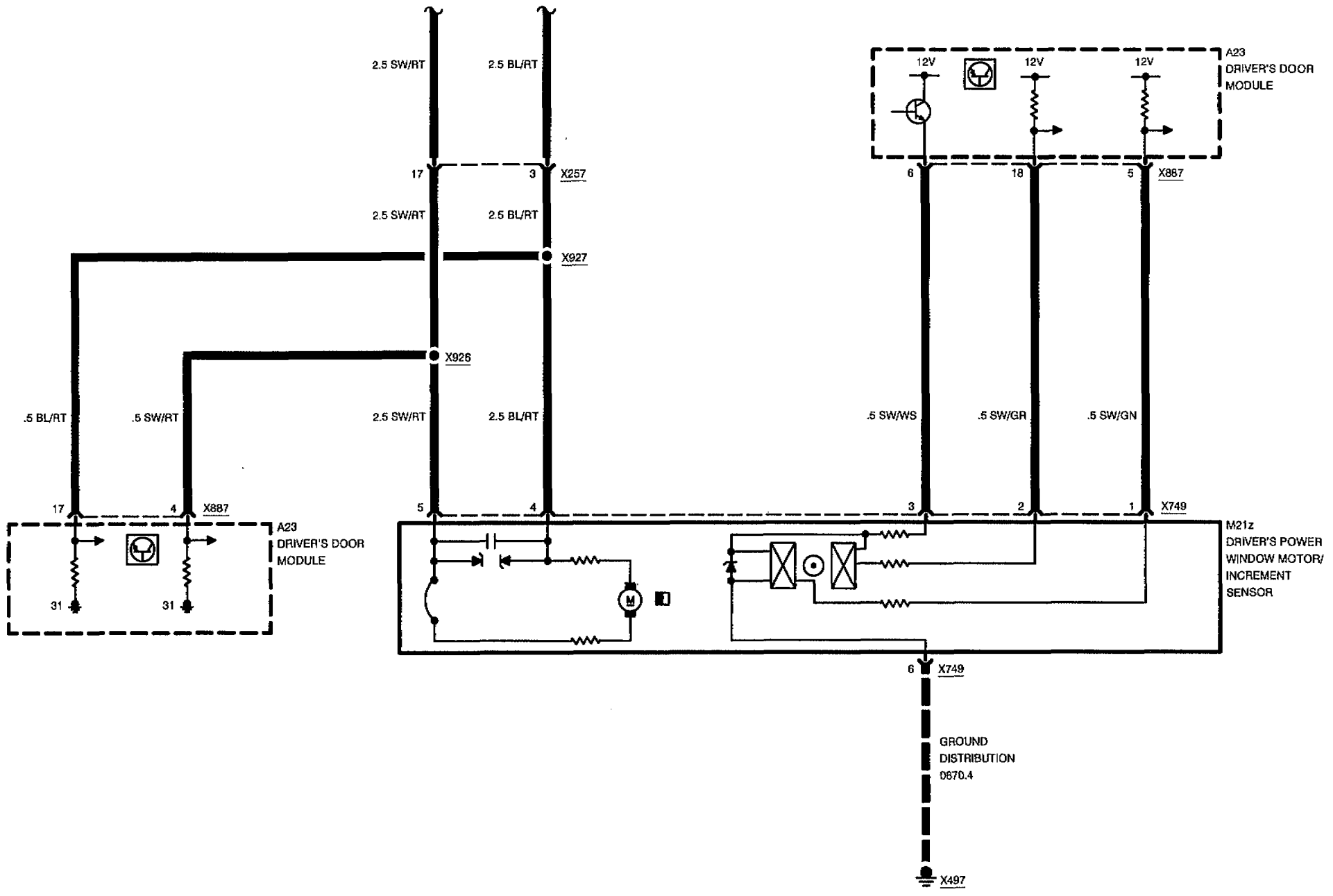






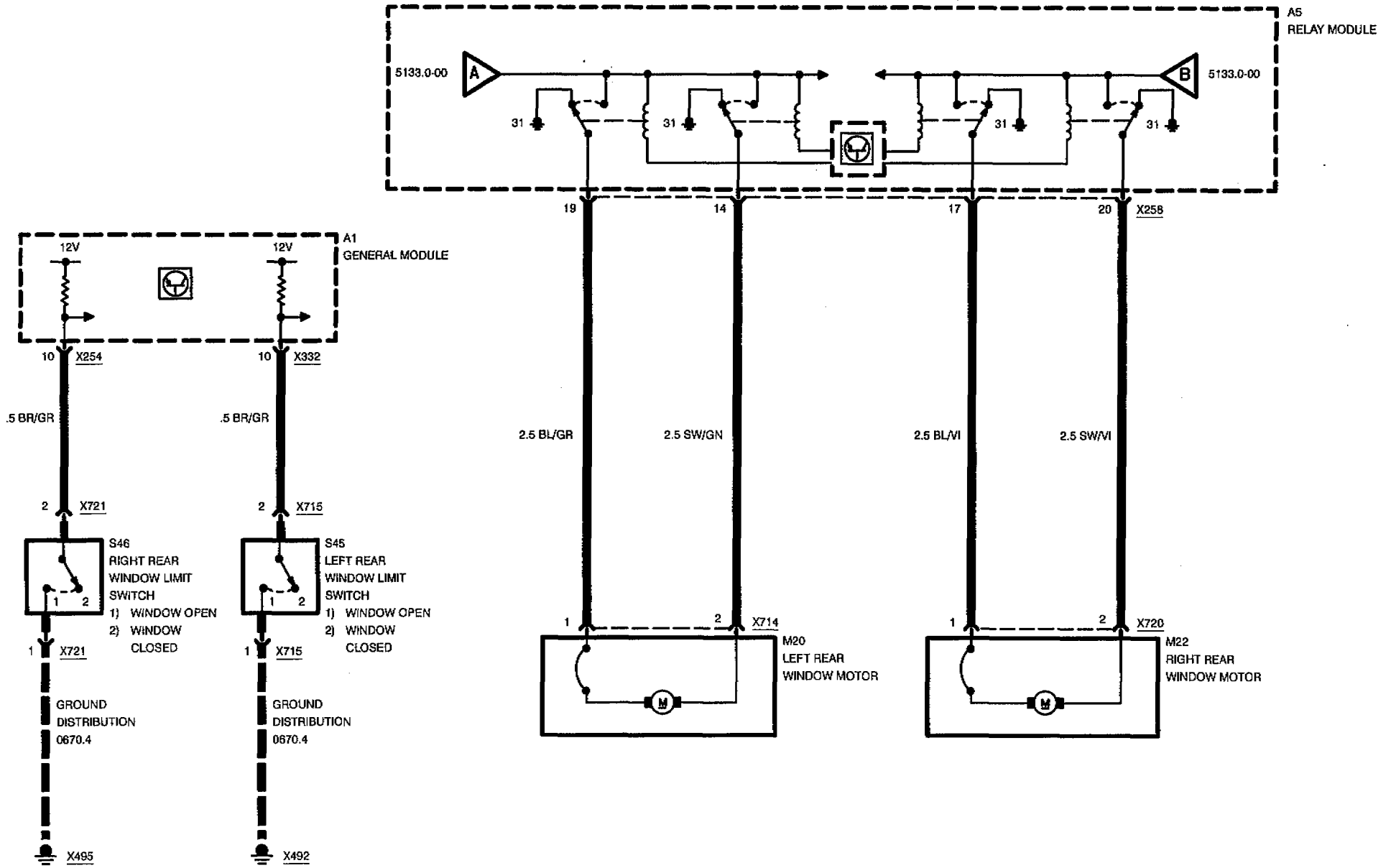
ZKE POWER WINDOWS (FH)







ZKE POWER WINDOWS (FH)



BMW
8

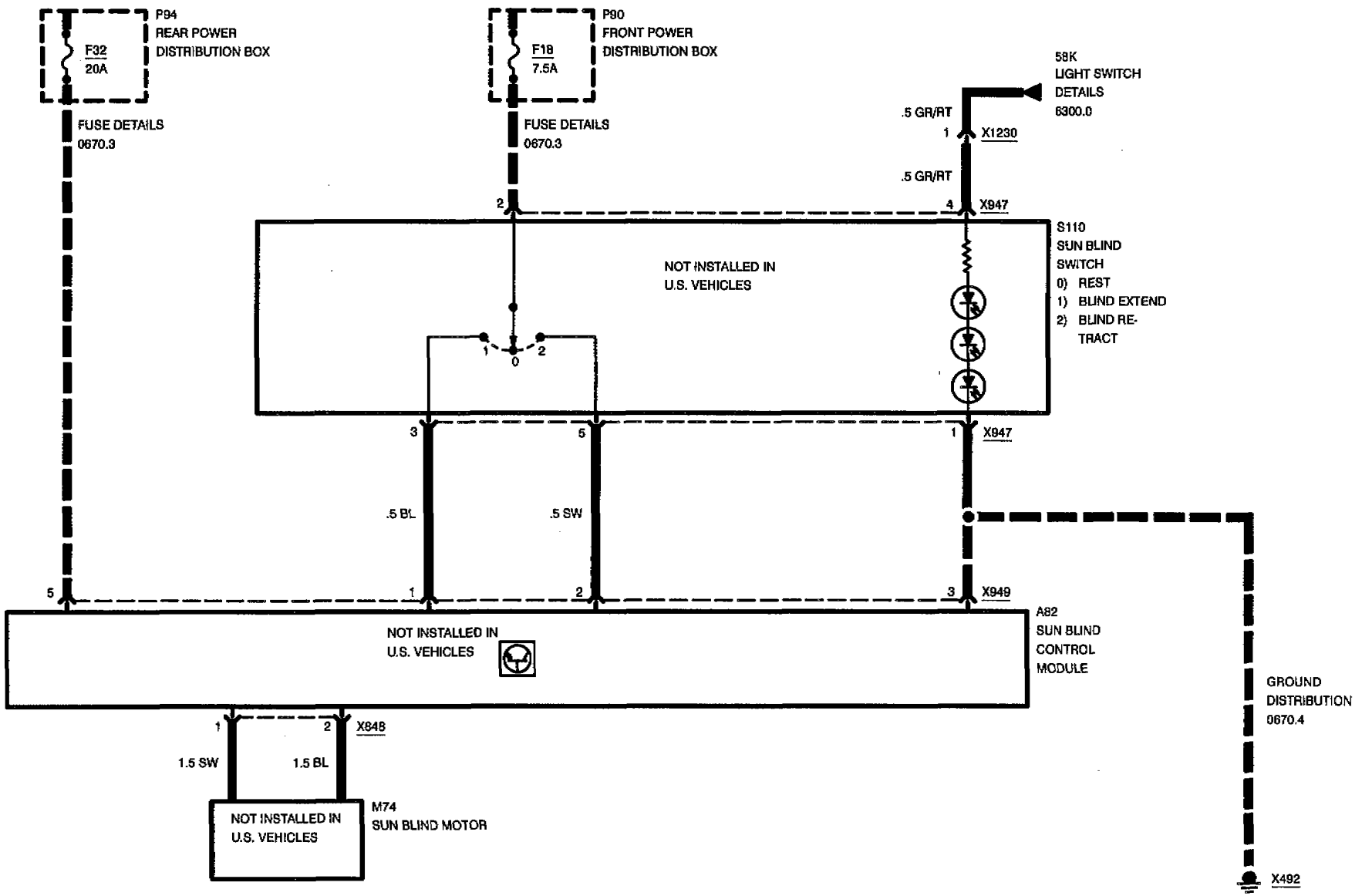
5146.0



POWER SUN SHADES

HOT AT ALL TIMES

HOT IN ACCY, RUN OR START



BMW
8

5200.0



POWER SEATS

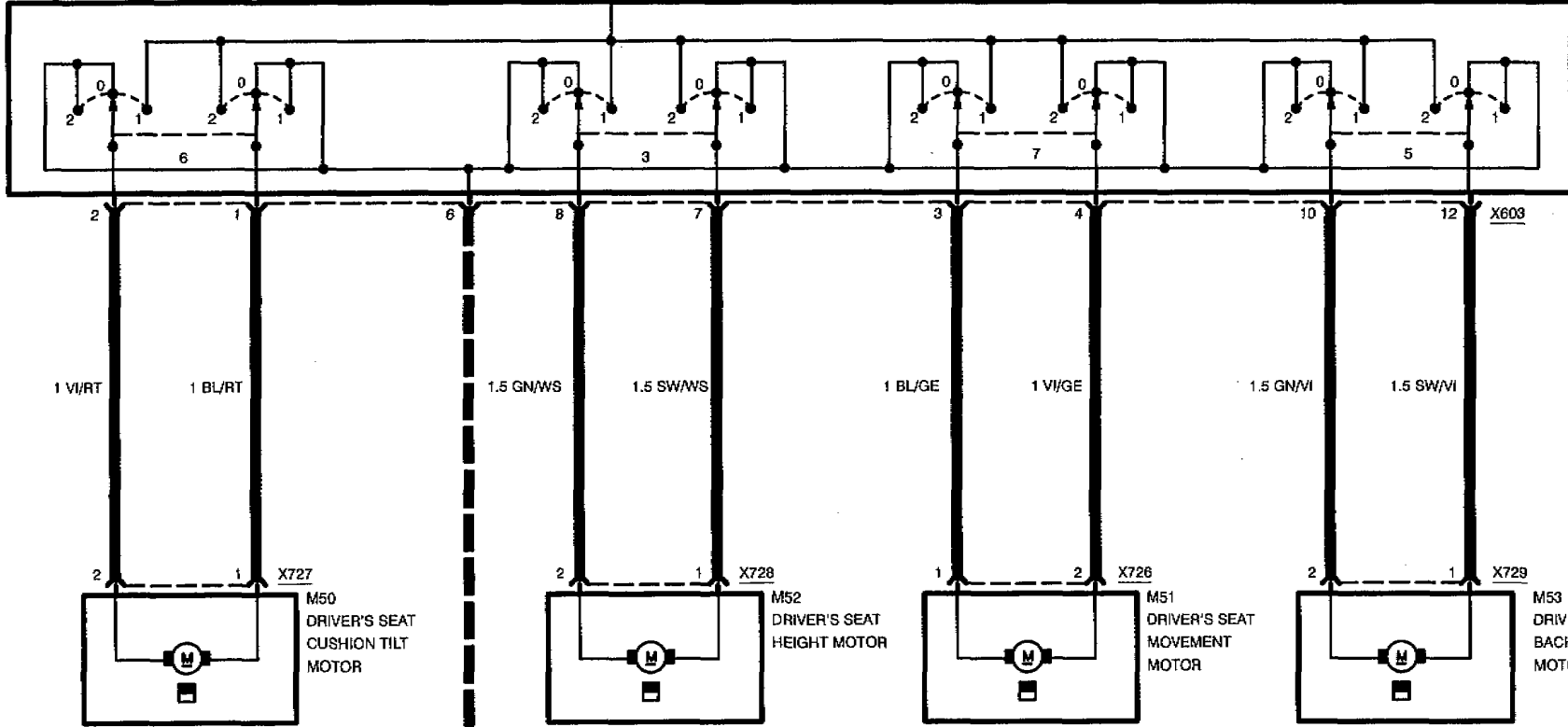
DRIVER'S SEAT

HOT AT ALL TIMES

P84
REAR POWER
DISTRIBUTION BOX

F37
30A
FUSE DETAILS
0670.3

5 X603



- S51
DRIVER'S SEAT,
SEAT CONTROL
SWITCH
- 3) SEAT HEIGHT SWITCH
 - 0) OFF
 - 1) UP
 - 2) DOWN
 - 5) SEATBACK SWITCH
 - 0) OFF
 - 1) FRONT
 - 2) BACK
 - 6) SEAT CUSHION TILT SWITCH
 - 0) OFF
 - 1) UP
 - 2) DOWN
 - 7) SEAT POSITION SWITCH
 - 0) OFF
 - 1) FORWARD
 - 2) BACK

GROUND
DISTRIBUTION
0670.4
X492

M50
DRIVER'S SEAT
CUSHION TILT
MOTOR

M52
DRIVER'S SEAT
HEIGHT MOTOR

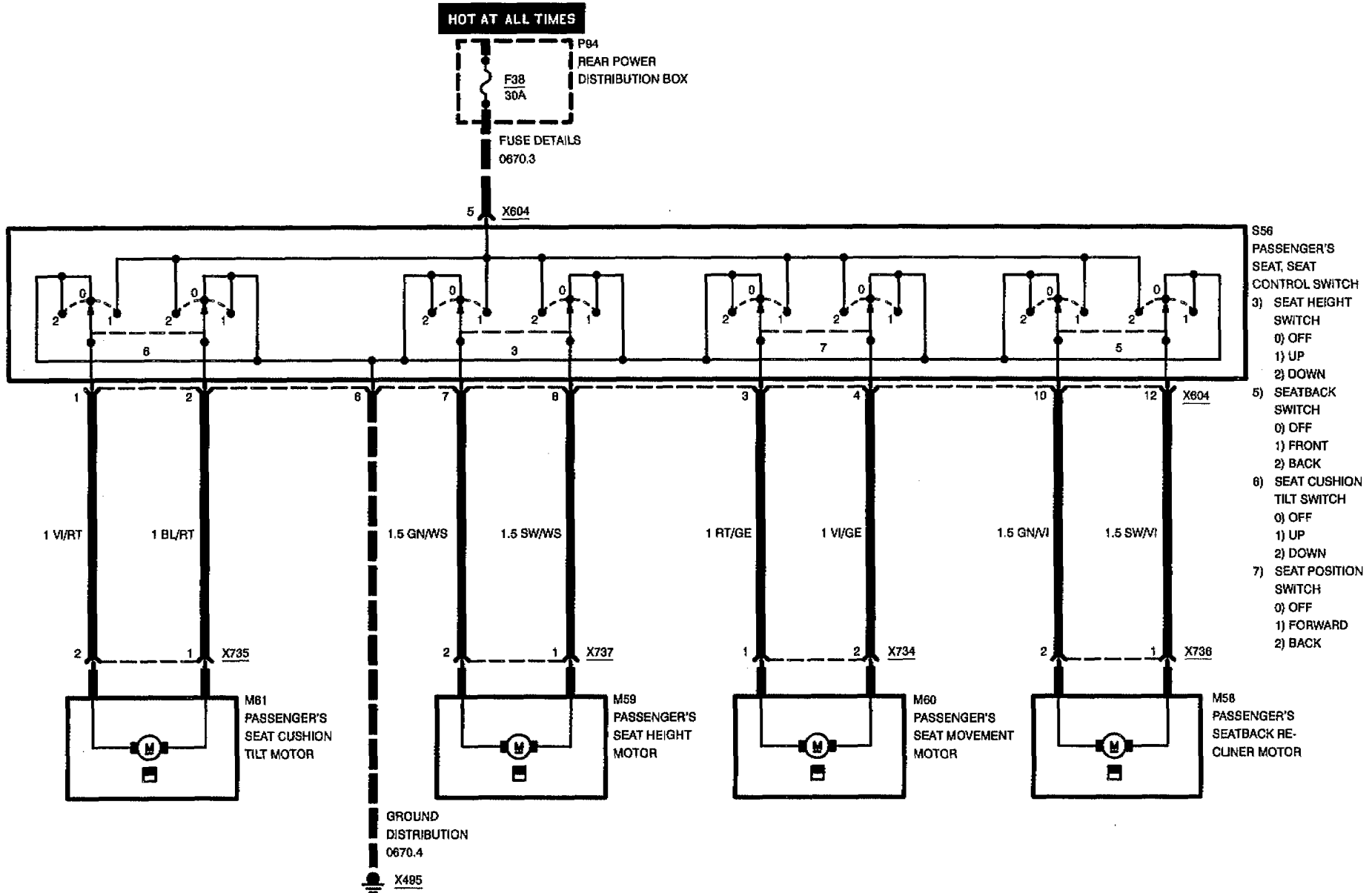
M51
DRIVER'S SEAT
MOVEMENT
MOTOR

M53
DRIVER'S SEAT-
BACK RECLINER
MOTOR



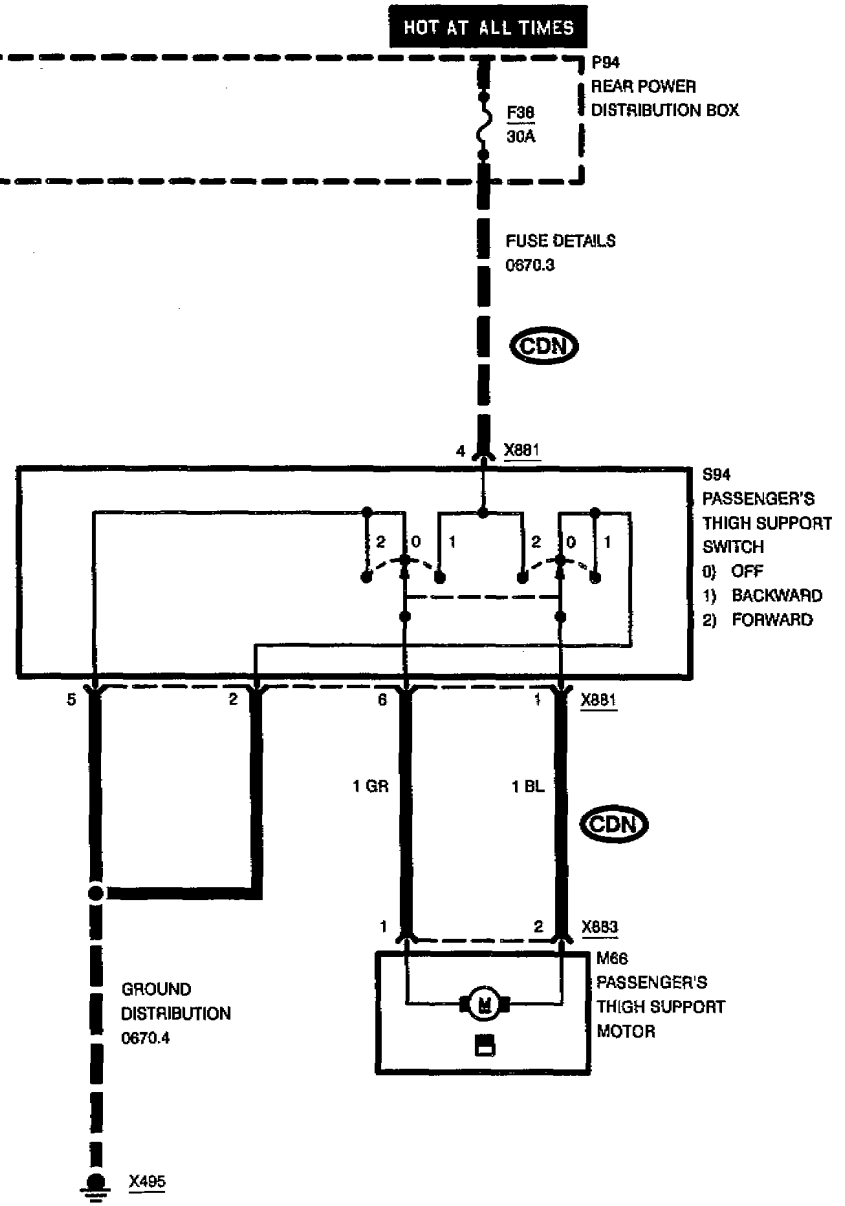
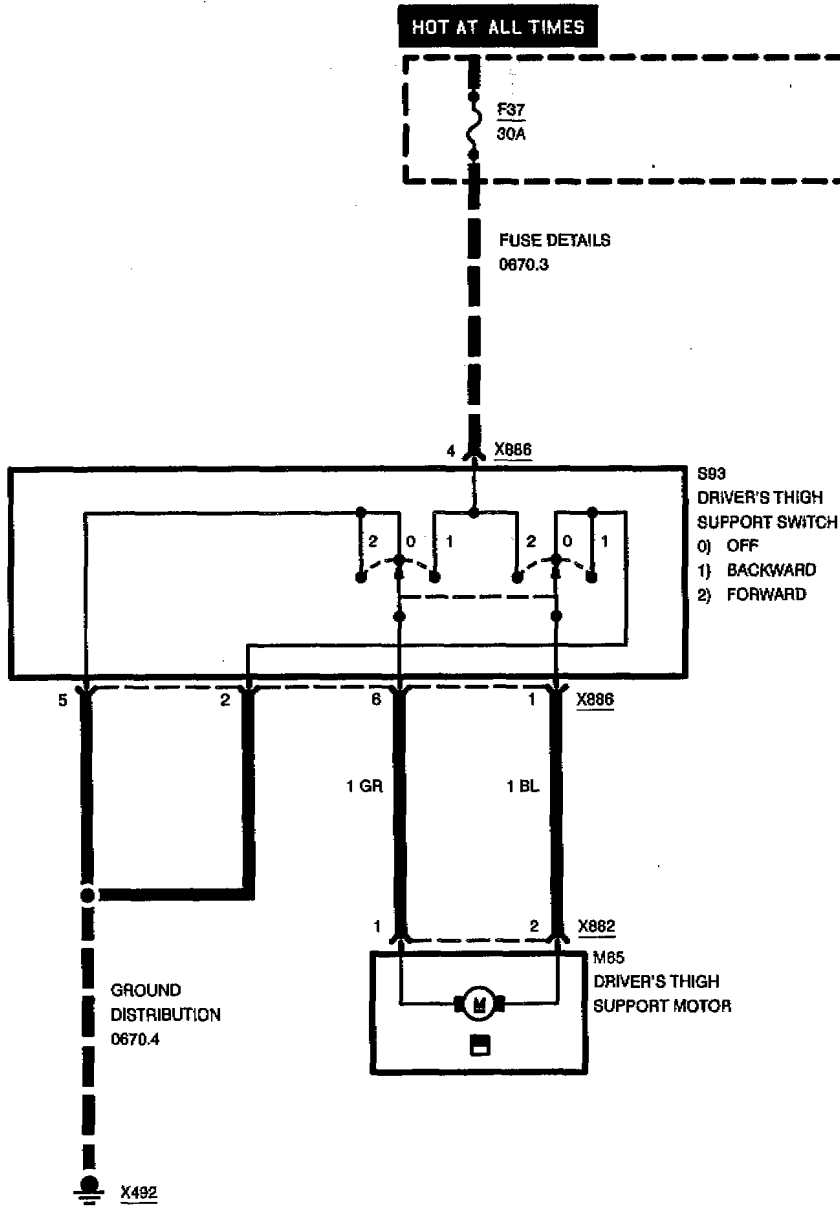
POWER SEATS

PASSENGER'S SEAT



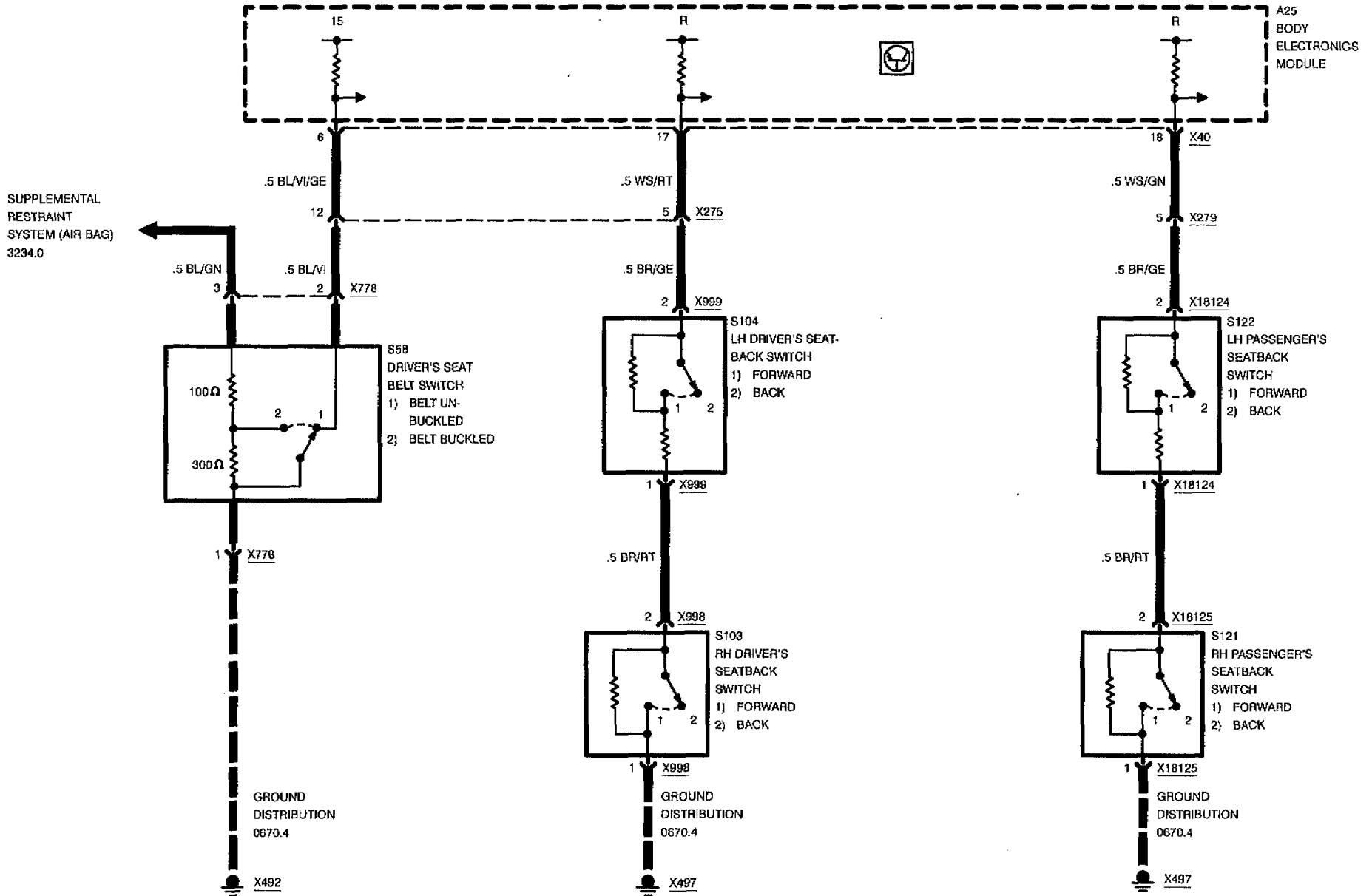


POWER SEATS THIGH SUPPORT

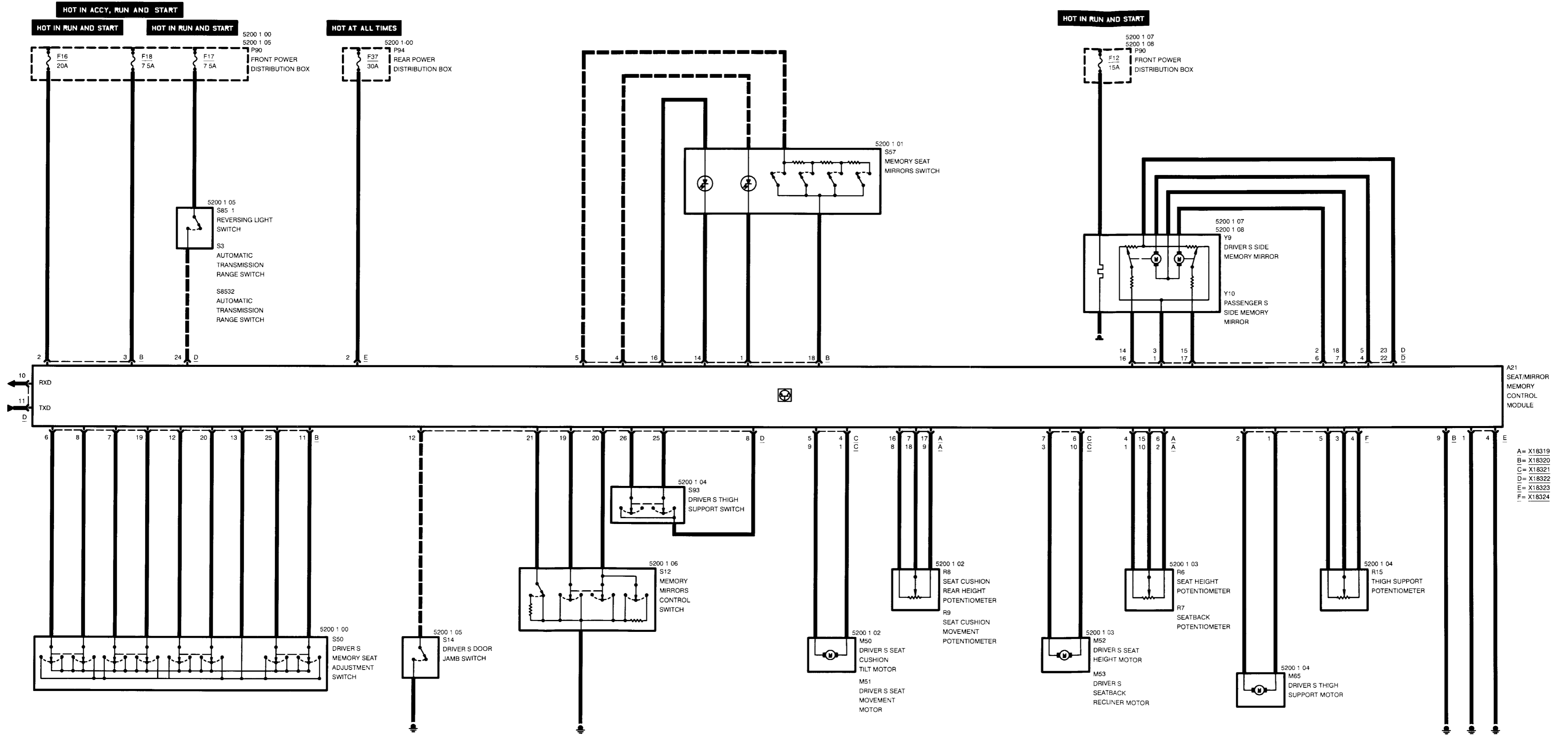




POWER SEATS

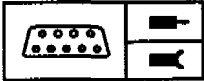






A21
SEAT/MIRROR
MEMORY
CONTROL
MODULE

A= X18319
B= X18320
C= X18321
D= X18322
E= X18323
F= X18324



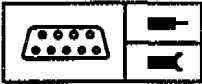
Pin Assignments

A=X18319	18 pins, black
B=X18320	26 pins, white
C=X18321	10 pins, black
D=X18322	26 pins, black
E=X18323	4 pins, black
F=X18324	5 pins, black

X18319

Pin	Type	Description/Function	Connection
1	A	Potentiometer voltage	Driver's seat back potentiometer
2	M	Ground	Driver's seat back potentiometer
3		Not used	
4	A	Potentiometer voltage	Driver's seat height potentiometer
5		Not used	
6	M	Ground	Driver's seat height potentiometer
7	E	Seat rear height signal	Driver's seat rear height potentiometer
8	A	Potentiometer voltage	Driver's seat movement potentiometer
9	M	Ground	Driver's seat movement potentiometer
10	E	Seat back position signal	Driver's seat back potentiometer
11		Not used	
12		Not used	
13		Not used	
14		Not used	
15	E	Seat height position signal	Driver's seat height potentiometer
16	A	Potentiometer voltage	Driver's seat rear height potentiometer
17	M	Ground	Driver's saet rear height potentiometer
18	E	Seat cushion position signal	Driver's seat movement potentiometer

E = Input, A = Output, M = Ground

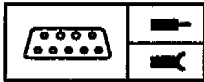


Pin Assignments

X18320

Pin	Type	Description/Function	Connection
1	E	Memory switch connection	Memory switch
2	E	Terminal 15 voltage	Fuse 16
3	E	Terminal R voltage	Fuse 18
4	E	Memory switch connection	Memory switch
5	E	Memory switch pin 1	Memory switch
6	E	Seat movement forward	Seat adjustment switch
7	E	Tilt up	Seat adjustment switch
8	E	Seat movement back	Seat adjustment switch
9	M	Ground	Ground point
10		Not used	
11	E	Backrest back	Seat adjustment switch
12	E	Height up	Seat adjustment switch
13	M	Ground	Seat adjustment switch
14	A	Illumination	Memory switch
15		Not used	
16	A	Illumination	Memory switch
17		Not used	
18	E	Memory switch connection	Memory switch
19	E	Tilt down	Seat adjustment switch
20	E	Height down	Seat adjustment switch
21		Not used	
22		Not used	
23		Not used	
24		Not used	
25	E	Backrest forward	Seat adjustment switch
26		Not used	

E = Input, A = Output, M = Ground



Pin Assignments

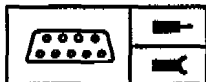
X18321

Pin	Type	Description/Function	Connection
1	E/A	Motor voltage/ground	Driver's seat movement motor
2		Not used	
3	E/A	Motor voltage/ground	Driver's seat back recliner motor
4	E/A	Motor voltage/ground	Driver's seat cushion tilt motor
5	E/A	Motor voltage/ground	Driver's seat cushion tilt motor
6	E/A	Motor voltage/ground	Driver's seat height motor
7	E/A	Motor voltage/ground	Driver's seat height motor
8		Not used	
9	E/A	Motor voltage/ground	Driver's seat movement motor
10	E/A	Motor voltage/ground	Driver's seat back recliner motor

X18322

Pin	Type	Description/Function	Connection
1	M	Ground	Passenger's mirror
2	A	Connection, driver's mirror adjustment motor	Driver's mirror
3	M	Ground	Driver's mirror
4	A	Connection, passenger's mirror adjustment motor	Passenger's mirror
5	A	Connection, driver's mirror adjustment motor	Driver's mirror
6	A	Connection, passenger's mirror adjustment motor	Passenger's mirror
7	A	Connection, passenger's mirror adjustment motor	Passenger's mirror
8	M	Ground	Thigh support switch
9		Not used	
10	A	Diagnosis (RxD)	Data link connector
11	E/A	Diagnosis (TxD)	Data link connector

E = Input, A = Output, M = Ground



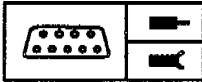
Pin Assignments

Pin	Type	Description/Function	Connection
12	E	Driver's door status	Driver's door jamb switch
13		Not used	
14	E	Potentiometer connection	Driver's mirror
15	E	Potentiometer connection	Driver's mirror
16	E	Potentiometer connection	Passenger's mirror
17	E	Potentiometer connection	Passenger's mirror
18	A	Connection, driver's mirror adjustment motor	Driver's mirror
19	E	Mirror adjustment	Mirror control switch
20	E	Mirror adjustment	Mirror control switch
21	E	Mirror adjustment	Mirror control switch
22	E	Potentiometer connection	Passenger's mirror
23	E	Potentiometer connection	Driver's mirror
24	E	Reverse gear signal	Back-up switch
25	E	Thigh support forward	Thigh support switch
26	E	Thigh support backward	Thigh support switch

X18323

Pin	Type	Description/Function	Connection
1	M	Ground	Ground point
2	E	Terminal 30 voltage	Fuse 37
3		Not used	
4	M	Ground	Ground point

E = Input, A = Output, M = Ground



Pin Assignments

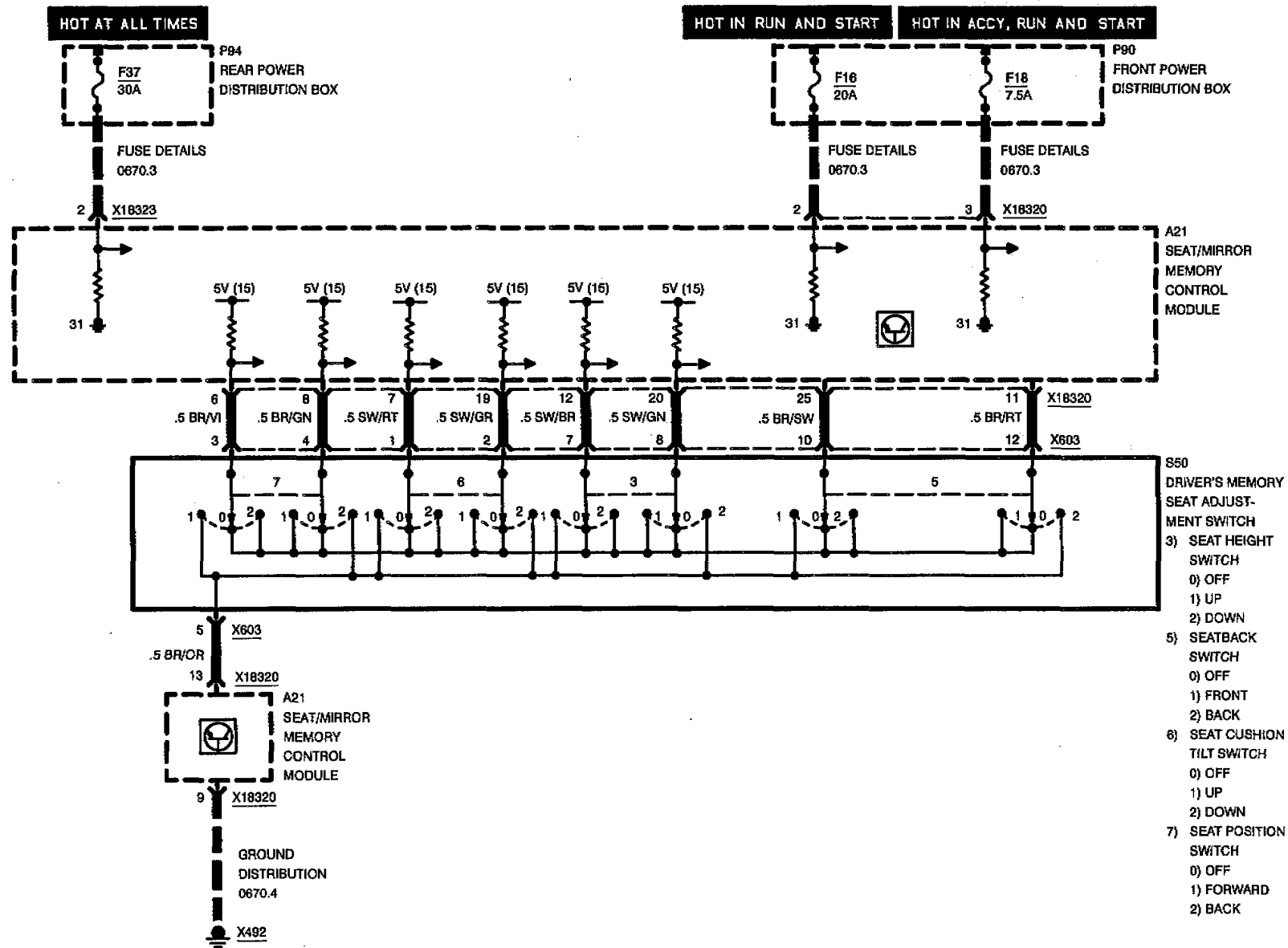
X18324

Pin	Type	Description/Function	Connection
1	E/A	Motor voltage/ground	Driver's seat thigh support motor
2	E/A	Motor voltage/ground	Driver's seat thigh support motor
3	E	Thigh support position signal	Driver's seat thigh support potentiometer
4	M	Ground	Driver's seat thigh support potentiometer
5	A	Potentiometer voltage	Driver's seat thigh support potentiometer
6		Not used	

E = Input, A = Output, M = Ground

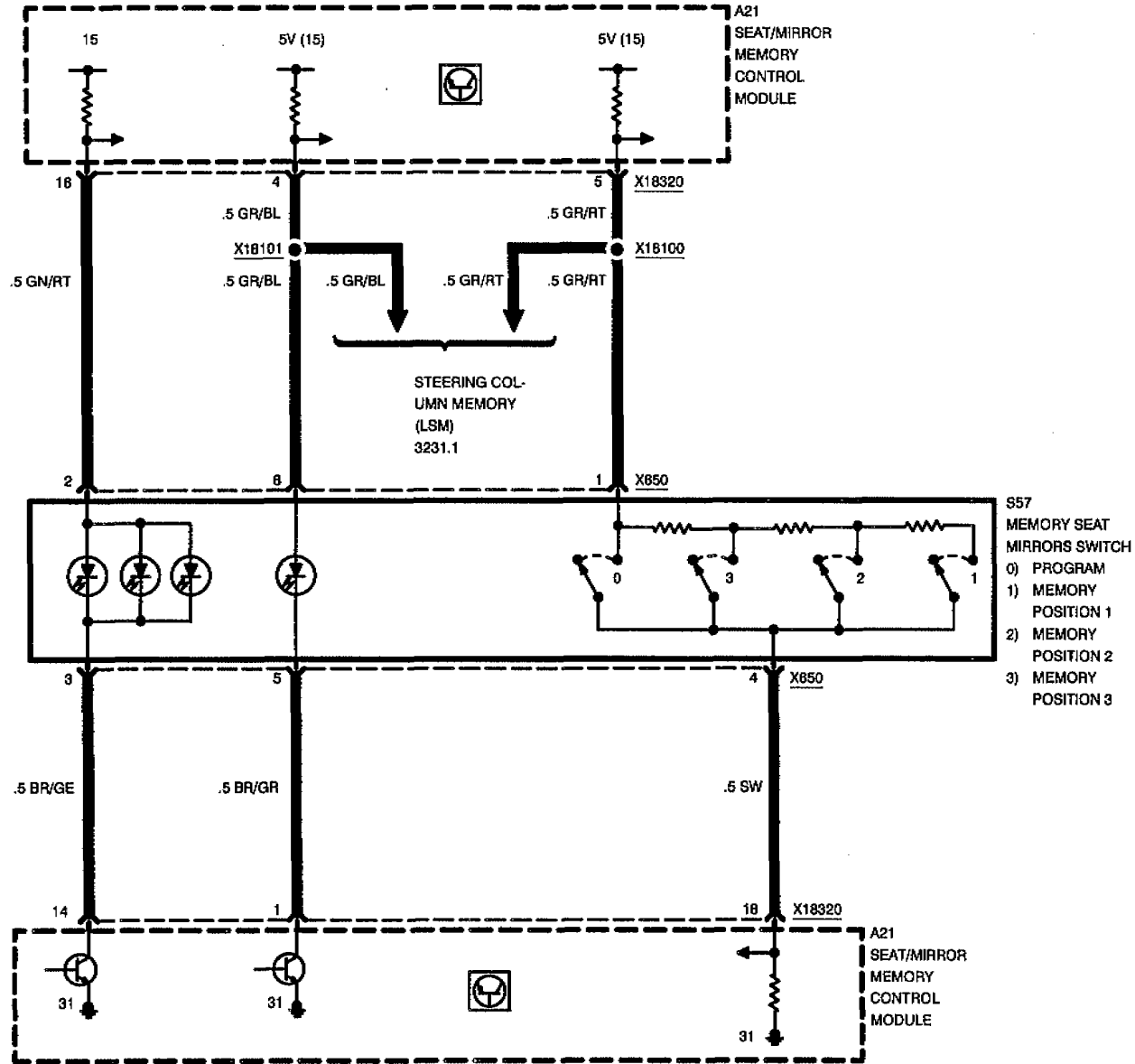


SEAT/MIRROR MEMORY SYSTEM (SM/SPM)





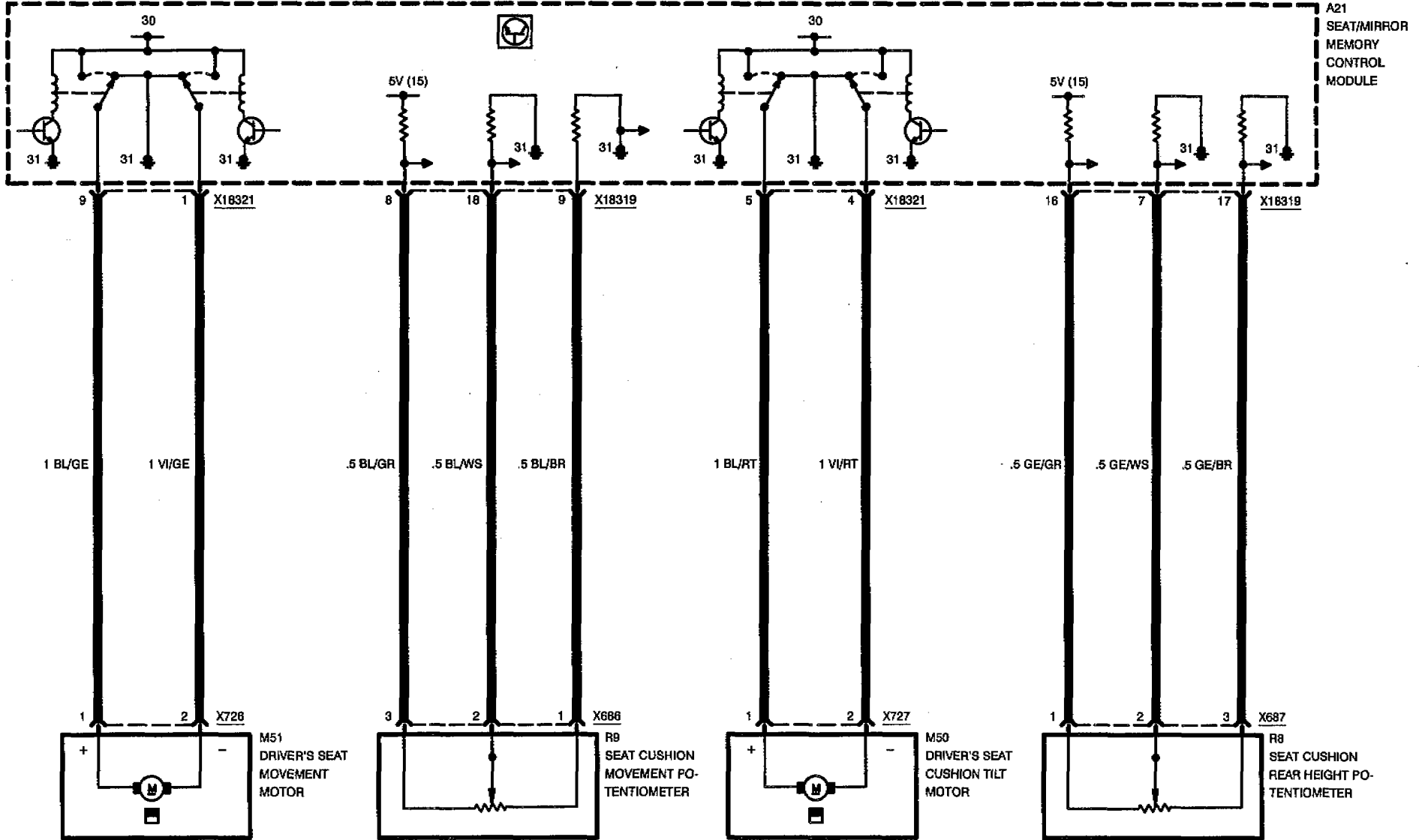
SEAT/MIRROR MEMORY SYSTEM (SM/SPM)





SEAT/MIRROR MEMORY SYSTEM (SM/SPM)

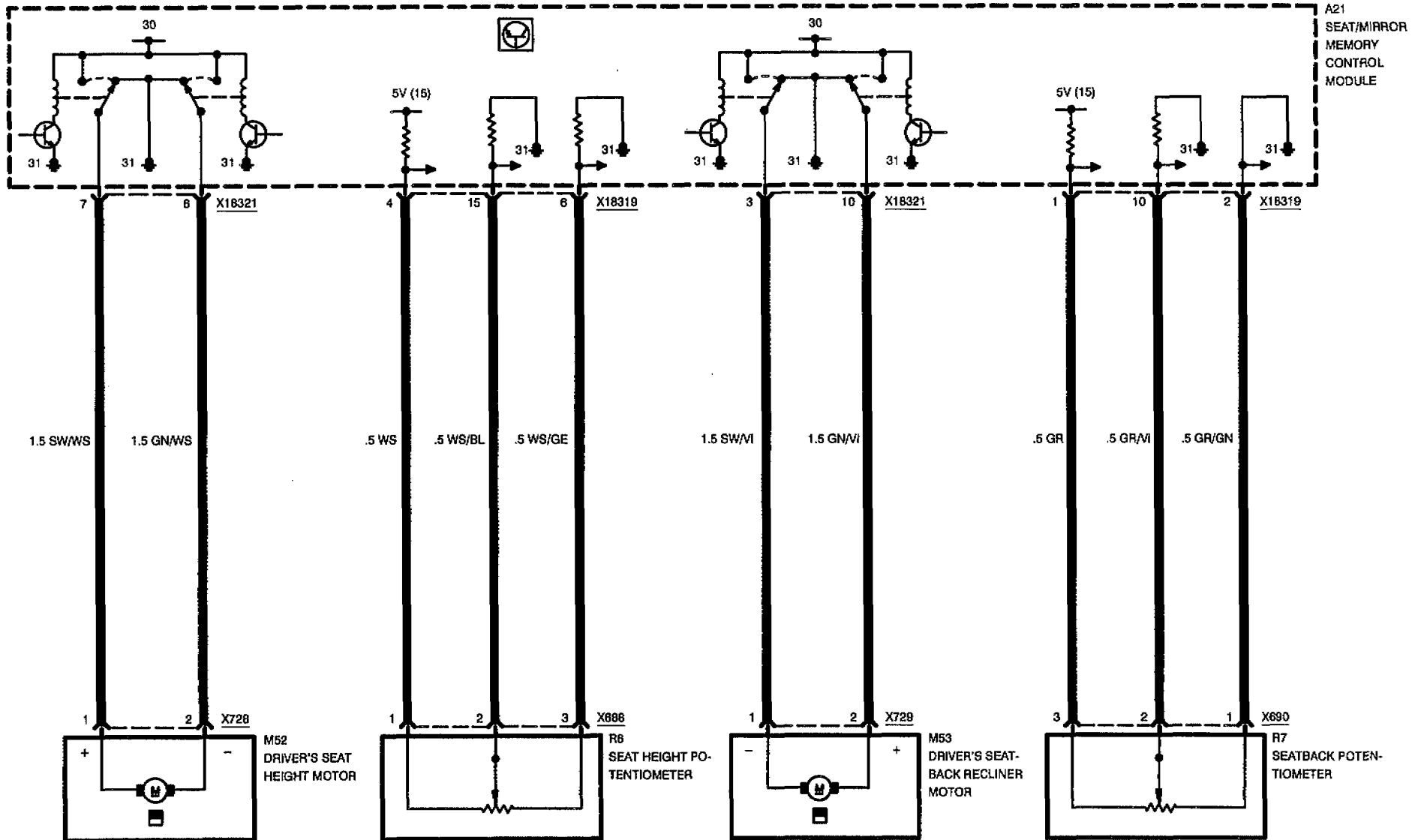
SEAT





SEAT/MIRROR MEMORY SYSTEM (SM/SPM)

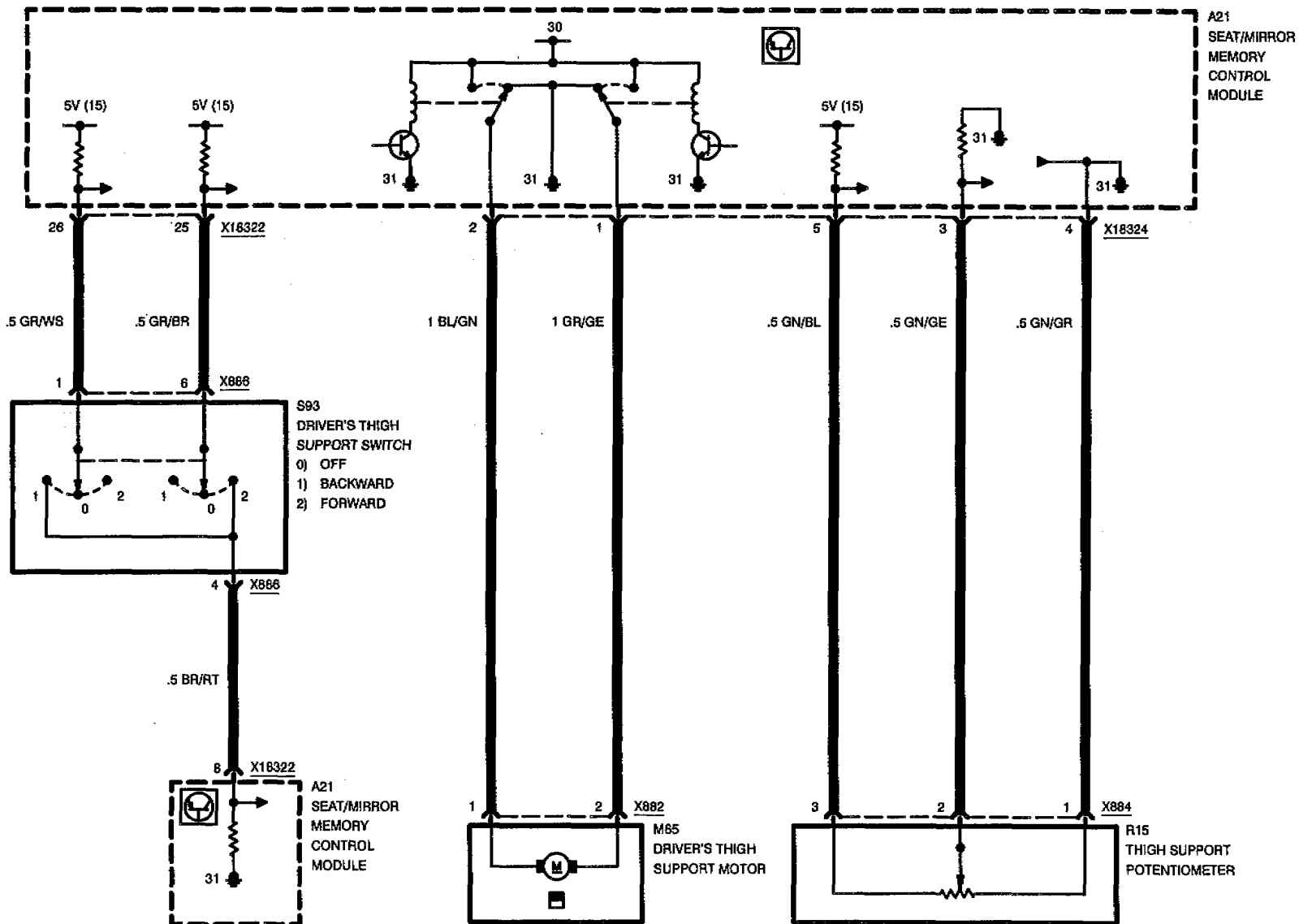
SEAT





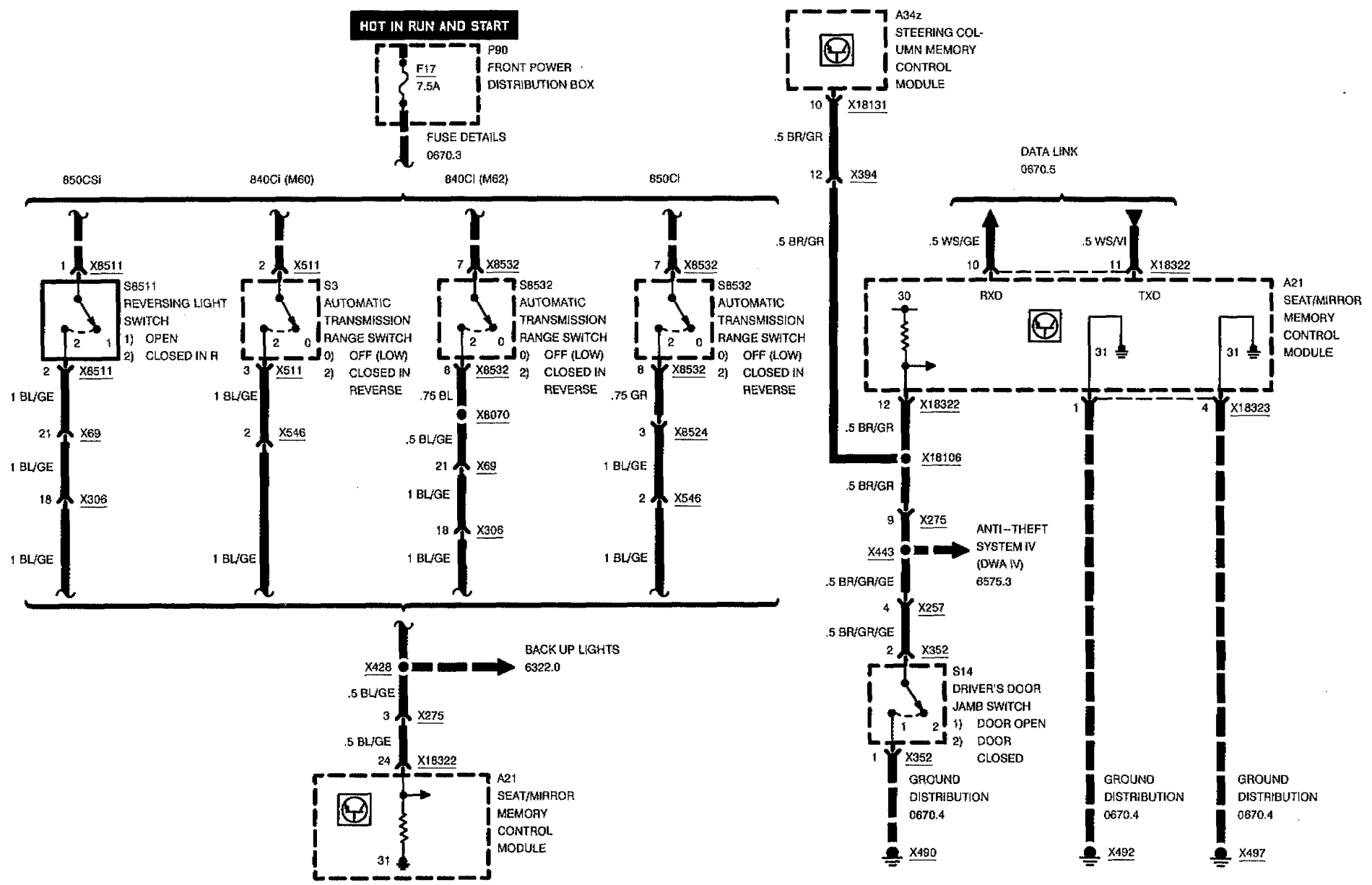
SEAT/MIRROR MEMORY SYSTEM (SM/SPM)

WITH SPORT SEAT





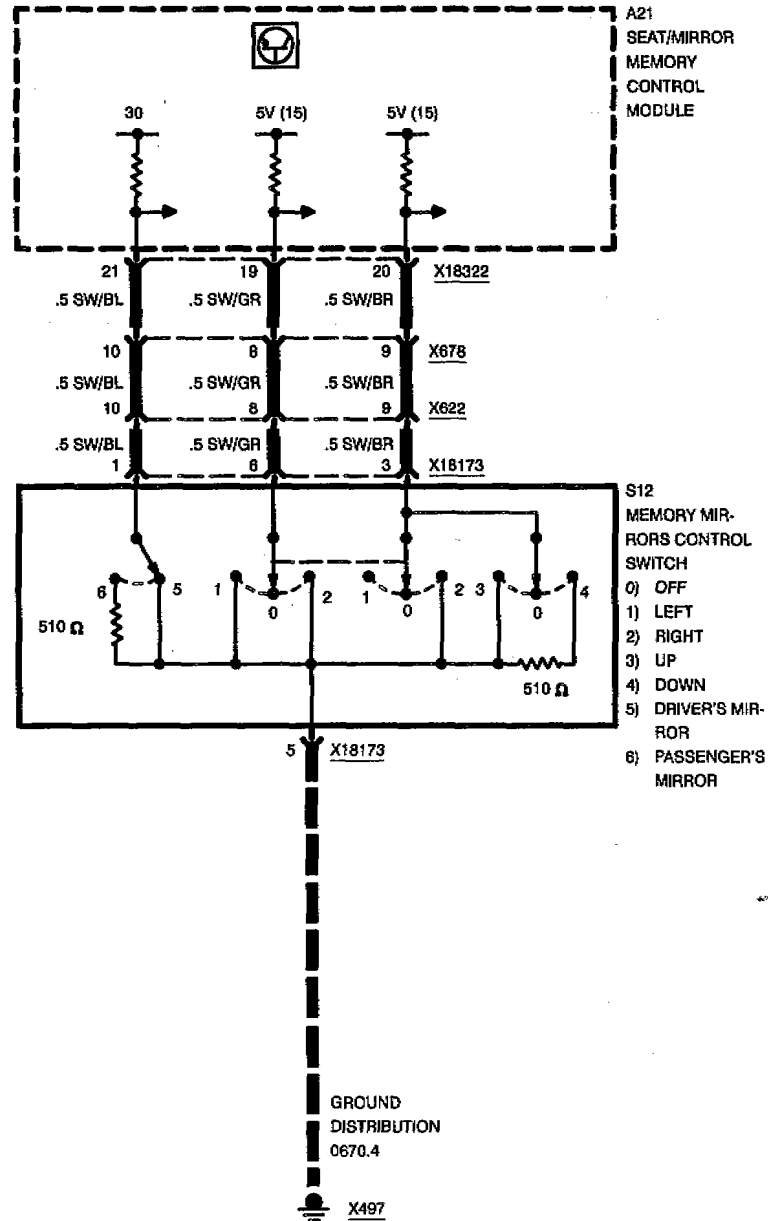
SEAT/MIRROR MEMORY SYSTEM (SM/SPM)





SEAT/MIRROR MEMORY SYSTEM (SM/SPM)

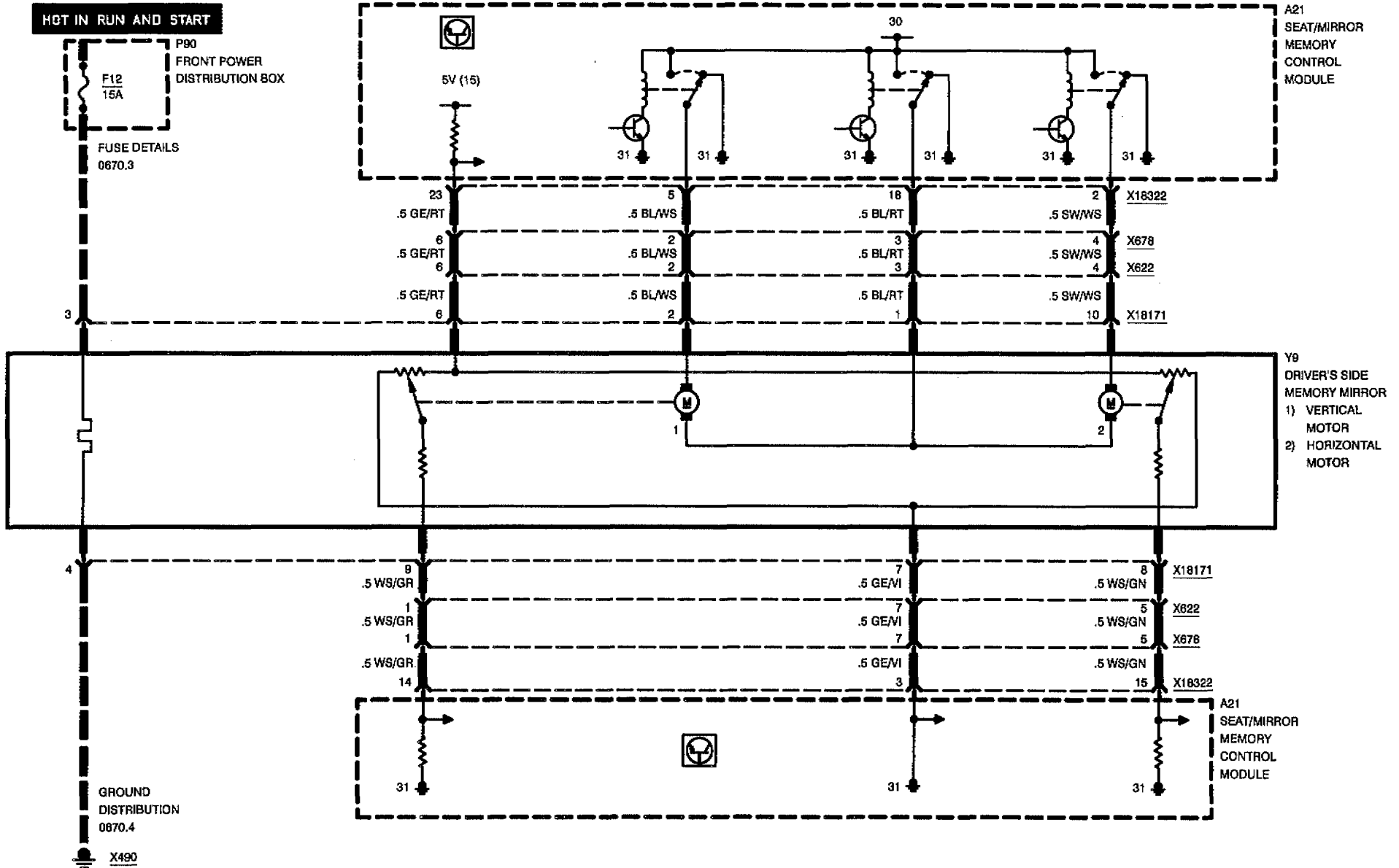
MIRROR





SEAT/MIRROR MEMORY SYSTEM (SM/SPM)

MIRROR





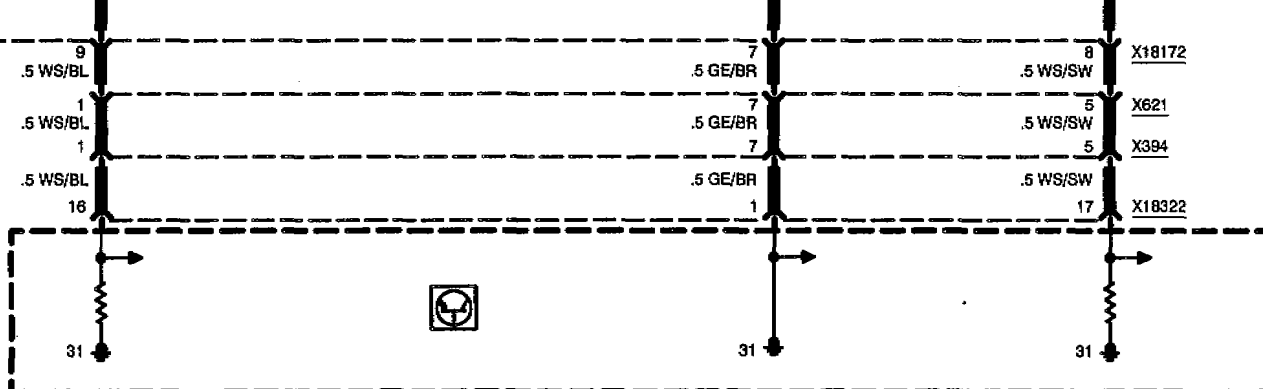
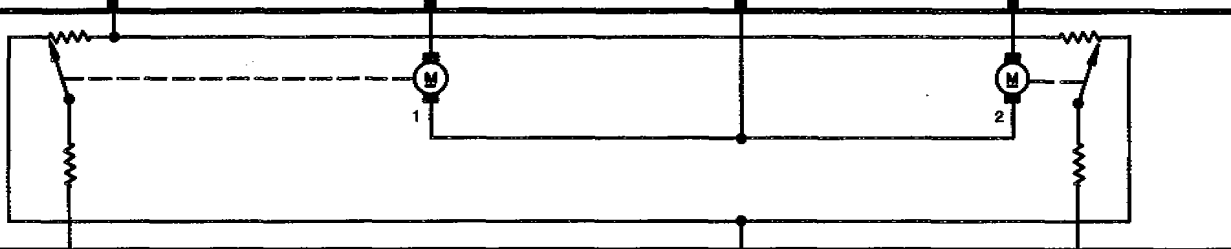
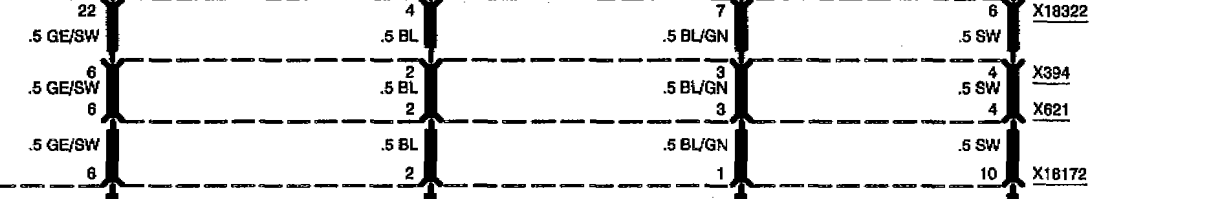
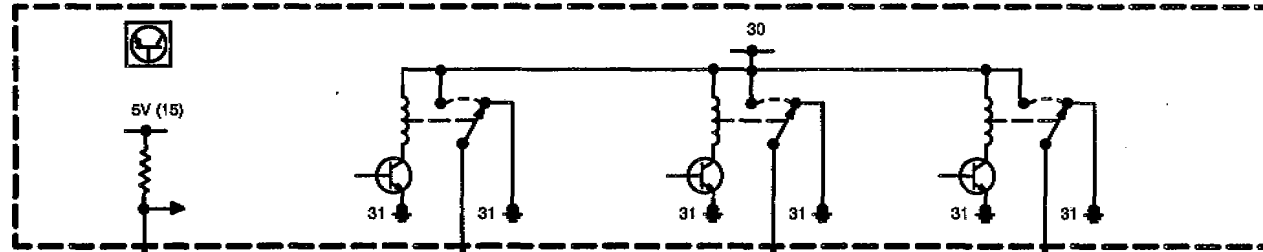
SEAT/MIRROR MEMORY SYSTEM (SM/SPM)

MIRROR

HOT IN RUN AND START



FUSE DETAILS
0670.3



GROUND DISTRIBUTION
0670.4



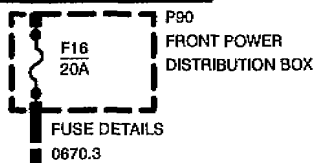
BMW
8

5203.0

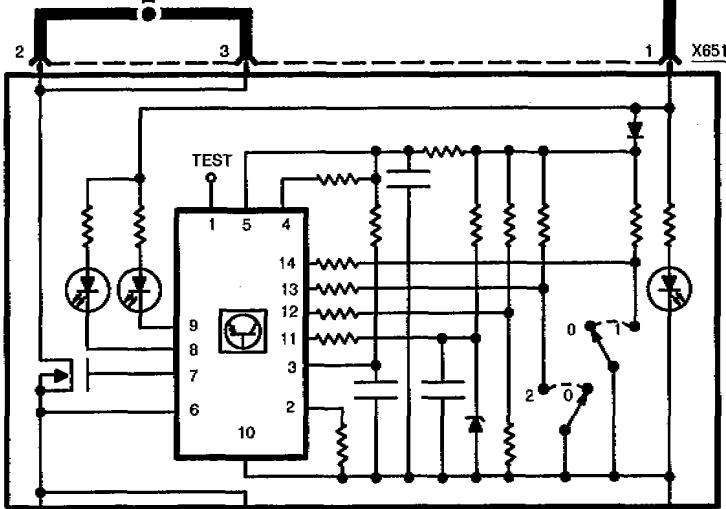


HEATED SEATS

HOT IN RUN AND START

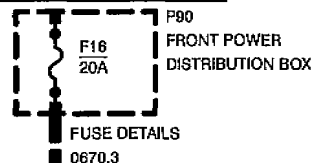


.5 GR/RT
58g
LIGHT SWITCH
DETAILS
6300.0

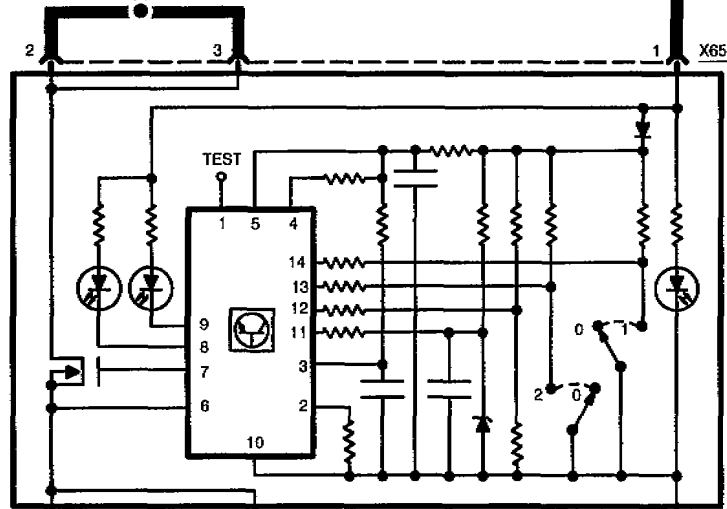


X651

HOT IN RUN AND START

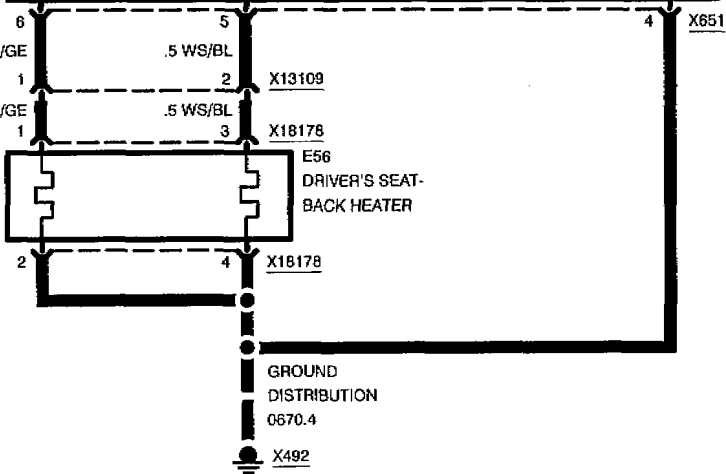


.5 GR/RT
58g
LIGHT SWITCH
DETAILS
6300.0

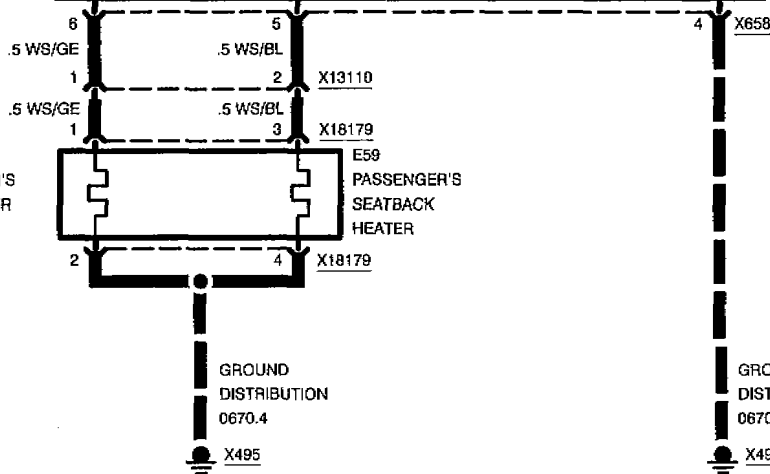


X658

E57
DRIVER'S SEAT
HEATER



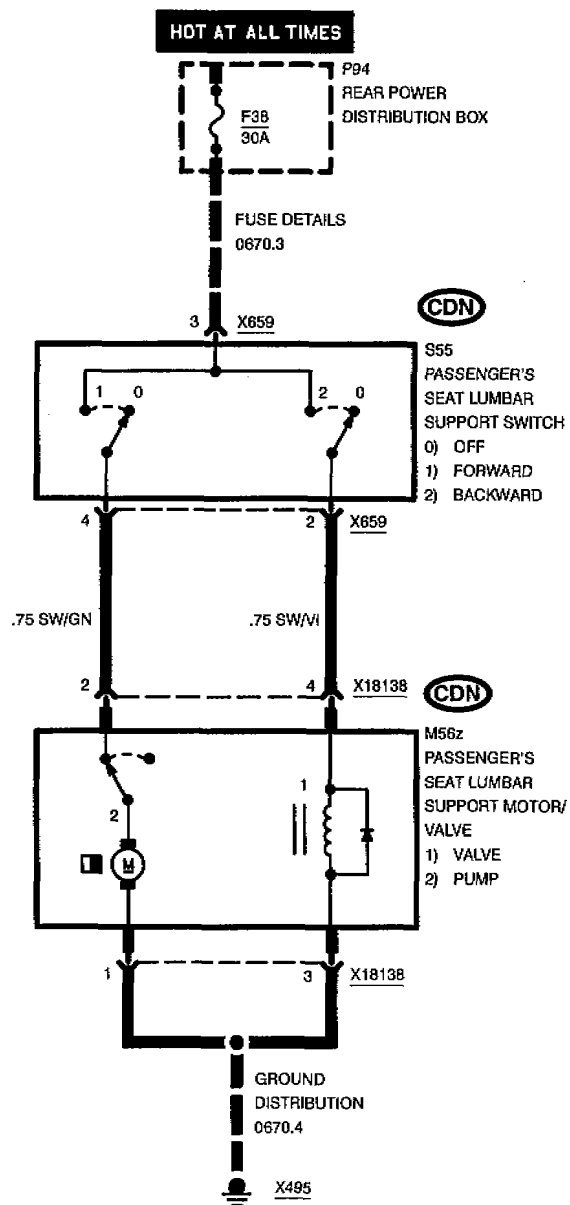
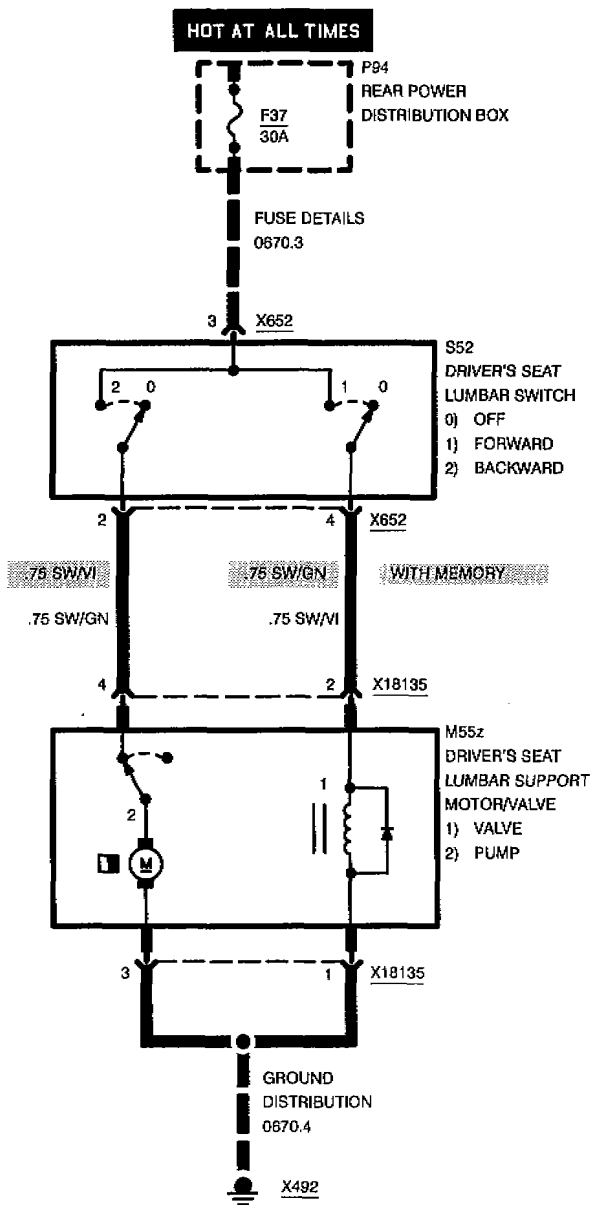
E58
PASSENGER'S
SEAT HEATER



GROUND
DISTRIBUTION
0670.4
X492



LUMBAR SUPPORT

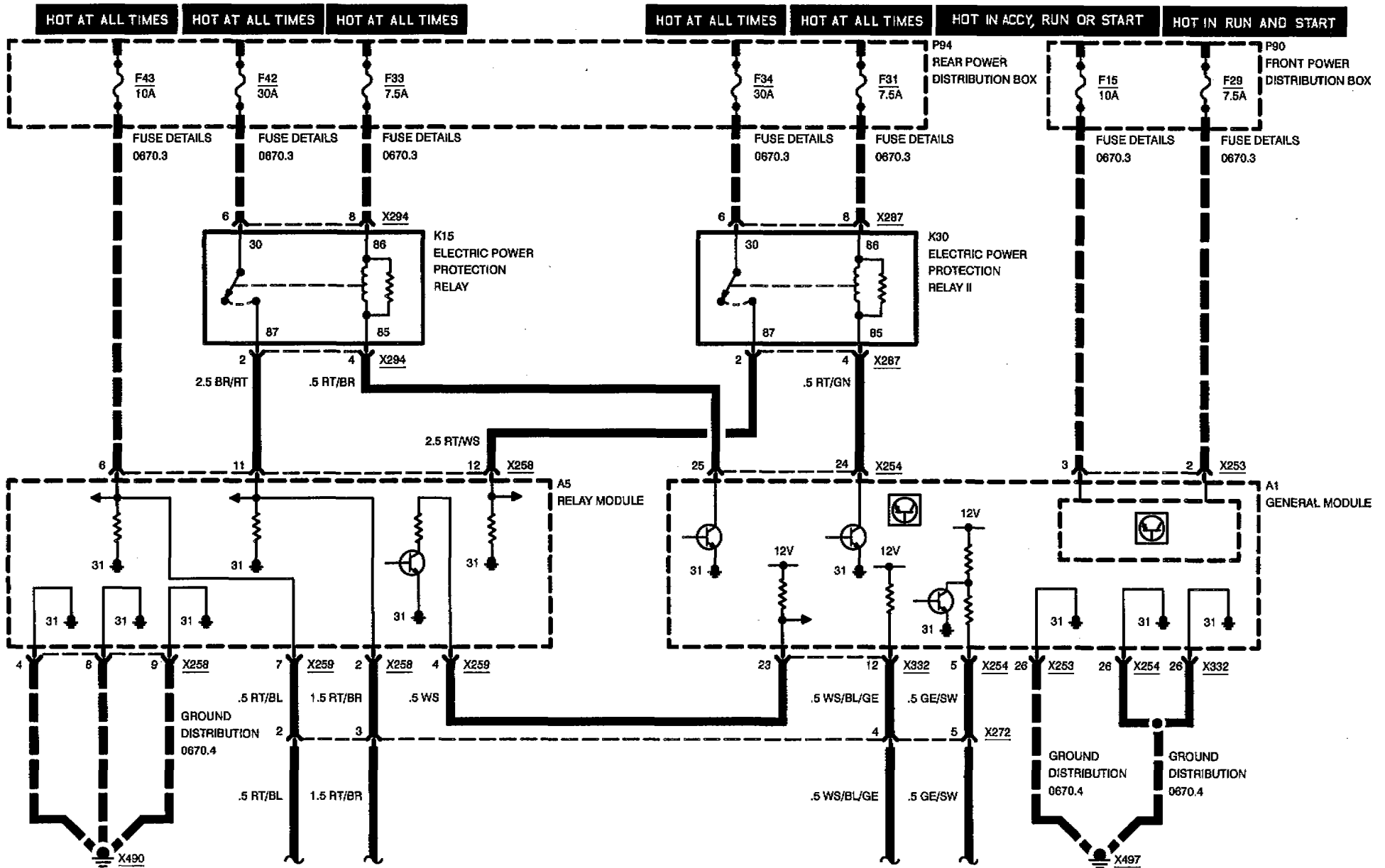


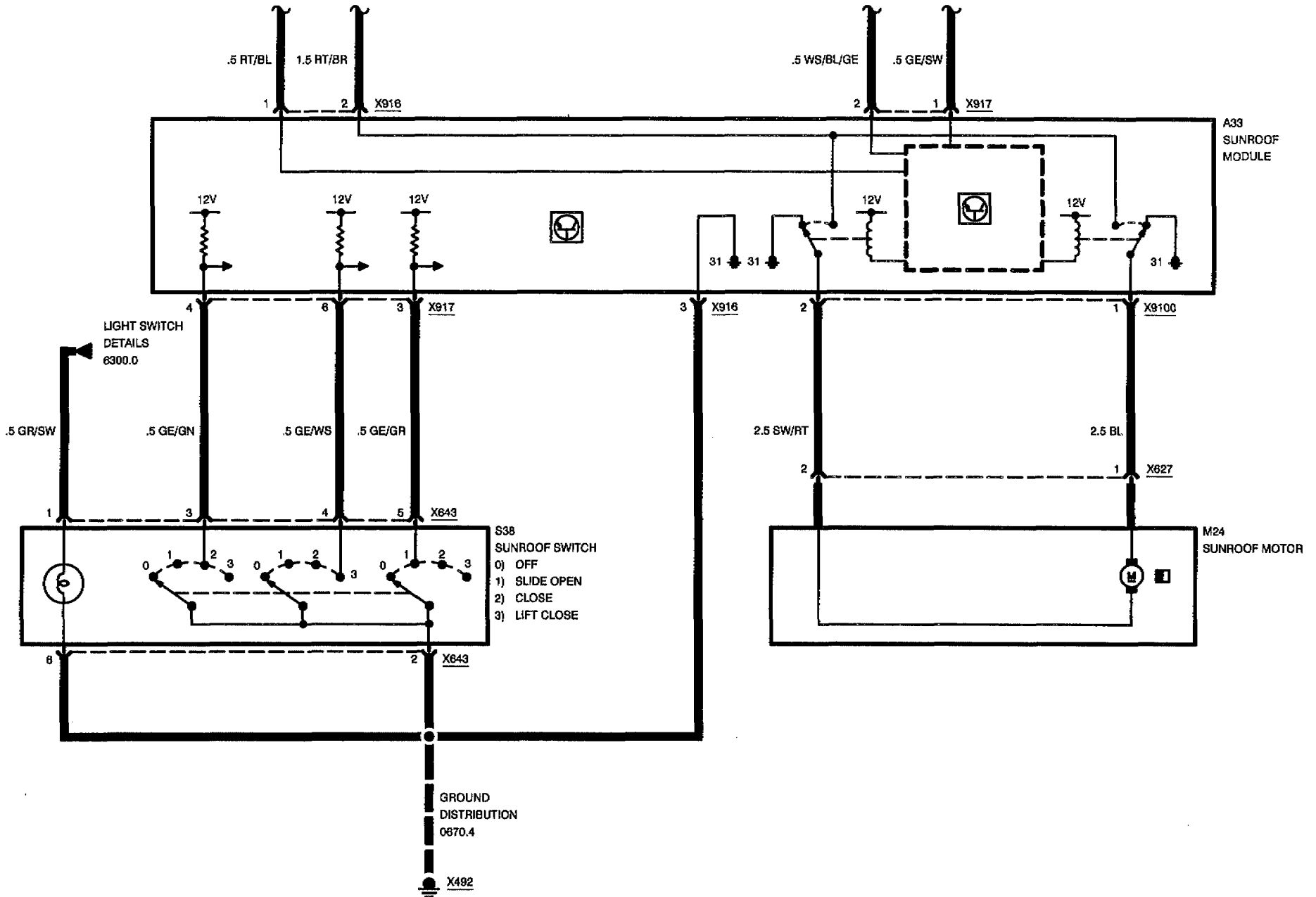


5410.0



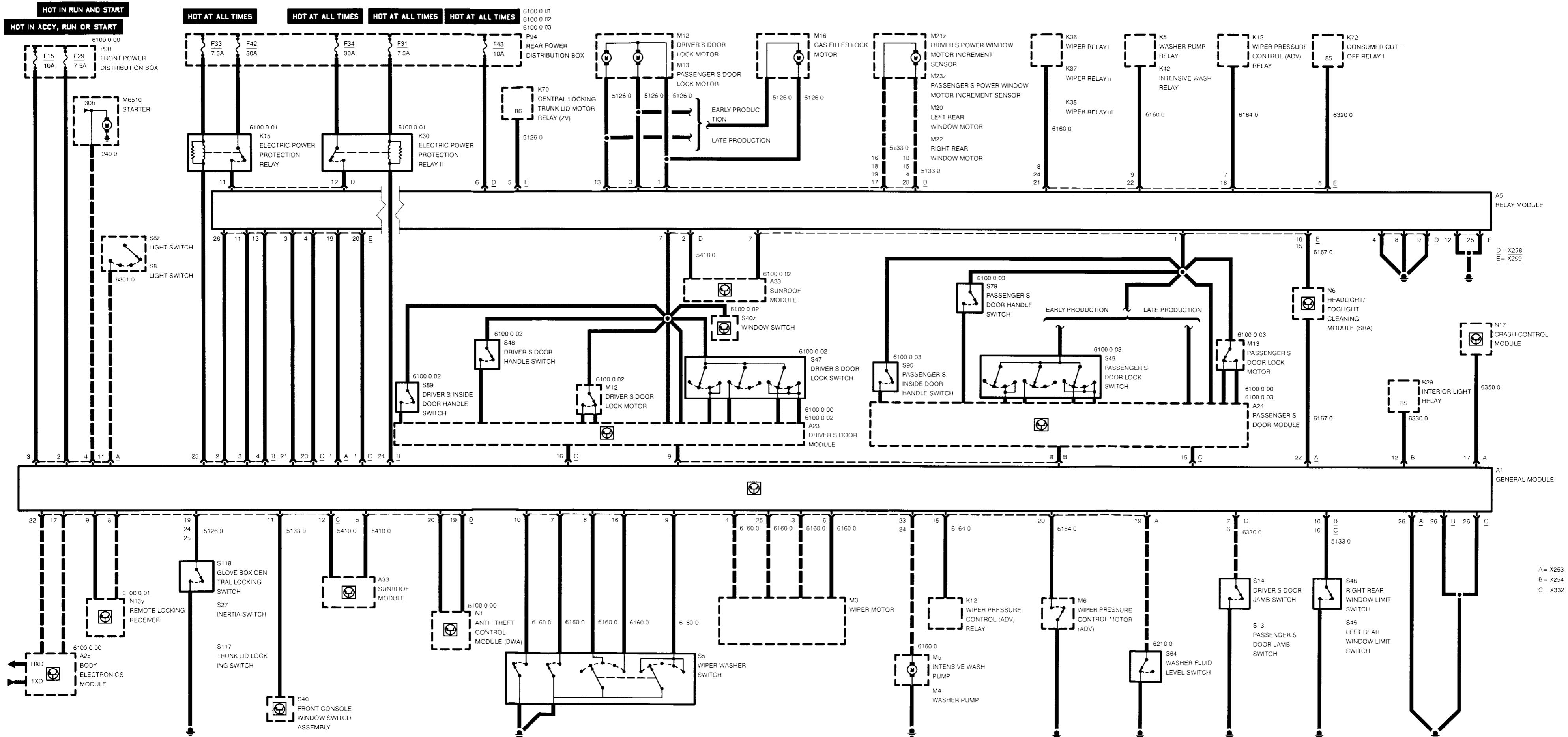
ZKE SUNROOF (SHD)





BMW
8

5410.0-02



A = X253
 B = X254
 C = X332



Pin Assignments

A=X253	26 pins, black
B=X254	26 pins, yellow
C=X332	26 pins, white
D=X258	20 pins, black
E=X259	26 pins, black

X253

Pin	Type	Description/Function	Connection
1	E	Voltage for electronics (30)	Relay module
2	E	Ignition voltage (15)	Fuse 29
3	E	Voltage (R)	Fuse15
4	E	Starter signal (30h)	Starter
5		Not used	
6	E	Wiper reset contact	Wiper motor
7	E	Wash	Wiper/washer switch
8	E	Intermittent wipe	Wiper/washer switch
9	E	Wiper speed: 1	Wiper/washer switch
10	E	Intensive wash/telephone	Wiper/washer switch
11	E	Headlamp on (58)	Light switch
12		Not used	
13	E	Diagnosis, wiper relay (speed 1/2)	Wiper relay III/wiper motor
14	E	Diagnosis, wiper relay (park)	Wiper relay I/wiper motor
15	E	Diagnosis, ADV	Wiper pressure control (ADV) relay
16	E	Wiper speed: 2	Wiper/washer switch
17	A	Interface to hazard warning lights	Crash control unit
18		Not used	
19	E	Low washer fluid warning	Washer fluid level switch
20	E	ADV cam switch	Wiper pressure control motor (ADV)
21		Not used	
22	E	Diagnosis, headlight washer module	Headlight washer (SRA)
23	E	Diagnosis, intensive wash	Intensive wash relay and pump
24	E	Diagnosis, washer pump and relay	Washer pump and relay

E = Input, A = Output, M = Ground



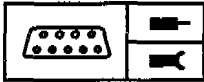
Pin Assignments

Pin	Type	Description/Function	Connection
25	E	Diagnosis, wiper relay (speed 1/2)	Wiper relay III/wiper motor
26	M	Ground for electronics (31)	Ground point

X254

Pin	Type	Description/Function	Connection
1		Not used	
2	A	Relay module interface	Relay module
3	A	Relay module interface	Relay module
4	A	Relay module interface	Relay module
5	A	Interface to sunroof	Sunroof module
6		Not used	
7		Not used	
8	A	Interface to passenger's door module	Passenger's door module
9	A	Interface to driver's door module	Driver's door module
10	E	Right rear window contact	Window limit switch
11		Not used	
12	A	Interior light relay activation	Interior light relay
13		Not used	
14		Not used	
15		Not used	
16		Not used	
17		Not used	
18		Not used	
19	A	Interface to DWA	DWA
20	A	Interface to DWA	DWA
21		Not used	
22		Not used	
23		Not used	
24	A	Electronic power protection: Activation for passenger's side relay	Electric power protection relay

E = Input, A = Output, M = Ground



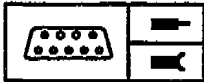
Pin Assignments

Pin	Type	Description/Function	Connection
25	A	Electronic power protection: Activation for driver's side relay	Electric power protection relay
26	M	Ground for electronics (31)	Ground point

X332

Pin	Type	Description/Function	Connection
1	E	Voltage for electronics (30)	Relay module
2		Not used	
3		Not used	
4		Not used	
5		Not used	
6	E	Passenger's door contact	Passenger's door jamb switch
7	E	Driver's door contact	Driver's door jamb switch
8	E	Interface from antitheft	Remote locking receiver, N13y
9	E	Interface from antitheft	Remote locking receiver, N13y
10	E	Left rear window contact	Window limit switch
11	E	Interface from power windows/central locking	Power window switch assembly
12	E	Interface from sunroof	Sunroof module
13		Not used	
14		Not used	
15	E	Interface from passenger's door module	Passenger's door module
16	E	Interface from driver's door module	Driver's door module
17	E/A	I-bus interface	Body electronics module (EKM)
18		Not used	
19	E	Lock glove box signal	Glove box locking switch
20		Not used	
21	E	Interface from relay module; diagnostic feedback RM functions	Relay module
22	E	Vehicle speed signal	Body electronics module (EKM)
23	E	Interface from relay module; power measurement RM functions	Relay module

E = Input, A = Output, M = Ground



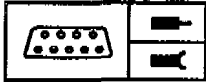
Pin Assignments

Pin	Type	Description/Function	Connection
24	E	Crash sensor	Inertia switch
25	E	Command, unlock rear lid	Trunk lid locking switch
26	M	Ground for electronics (31)	Ground point

X258

Pin	Type	Description/Function	Connection
1	A	Activation of ZV motors: Unlock	Lock motors
2	A	Voltage for power circuit on driver's side from electronic power protection	Sunroof module
3	A	Activation of ZV motors: Lock	Lock motors
4	M	Ground for electronics	Ground point
5		Not used	
6	E	Voltage (30) for electronics for all ZKE modules	Fuse 43
7	A	Voltage for driver's door module electronics	Driver's door module
8	M	Ground for ZV and FH motors	Ground point
9	M	Ground for ZV and FH motors	Ground point
10	A	Activation FH motor: driver's door, open	Driver's window motor (FH)
11	E	Voltage for power circuit on driver's side from electronic power protection	Electric power protection relay
12	E	Voltage for power circuit on passenger's side from electronic power protection	Electric power protection relay II
13	A	Activation ZV motors: Central arrest	Lock motors (ZV)
14	A	Activation FH motor: Left rear side, close	Left rear window motor (FH)
15	A	Activation FH motor: Passenger's door, open	Passenger's window motor (FH)
16	A	Activation FH motor: Driver's door, close	Driver's window motor (FH)
17	A	Activation FH motor: Right rear side, open	Right rear window motor (FH)
18	A	Activation FH motor: Passenger's door, close	Passenger's window motor (FH)

E = Input, A = Output, M = Ground



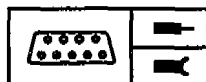
Pin Assignments

Pin	Type	Description/Function	Connection
19	A	Activation FH motor: Left rear side, open	Left rear window motor (FH)
20	A	Activation FH motor: Right rear side, close	Right rear window motor (FH)

X259

Pin	Type	Description/Function	Connection
1	A	Voltage for passenger's door module electronics	Passenger's door module
2		Not used	
3	A	Interface to general module, diagnostic feedback RM function	General module
4	A	Interface to general module, power measurement RM	General module
5	A	Relay activation, unlock rear lid	Trunk lid motor relay
6	A	Relay activation, load cut-out	Consumer cut-off relay I
7	A	Voltage for sunroof module electronics	Sunroof module
8	A	Relay activation, wiper park position	Wiper relay I
9	A	Relay activation, washer pump	Washer pump relay
10	A	SRA module activation: Headlight washer	Headlight washer module (SRA)
11	A	General module interface	General module
12	M	Ground for electronics	Ground point
13	A	General module interface	General module
14		Not used	
15	A	SRA module activation: Washer pump luggage compartment	Headlight washer module (SRA)
16		Not used	
17	A	ADV module activation: Reduce pressure	Wiper pressure control relay (ADV)
18	A	ADV module activation: Increase pressure	Wiper pressure control relay (ADV)
19	A	Voltage for general module electronics	General module
20	A	Voltage for general module electronics	General module
21	A	Relay activation, wiper speed 2	Wiper relay III
22	A	Relay activation, intensive wash (SIR)	Intensive wash relay
23		Not used	

E = Input, A = Output, M = Ground



Pin Assignments

Pin	Type	Description/Function	Connection
24	A	Relay activation, wiper speed 1	Wiper relay II
25	M	Ground for electronics	Ground point
26	A	General module interface	General module

E = Input, A = Output, M = Ground

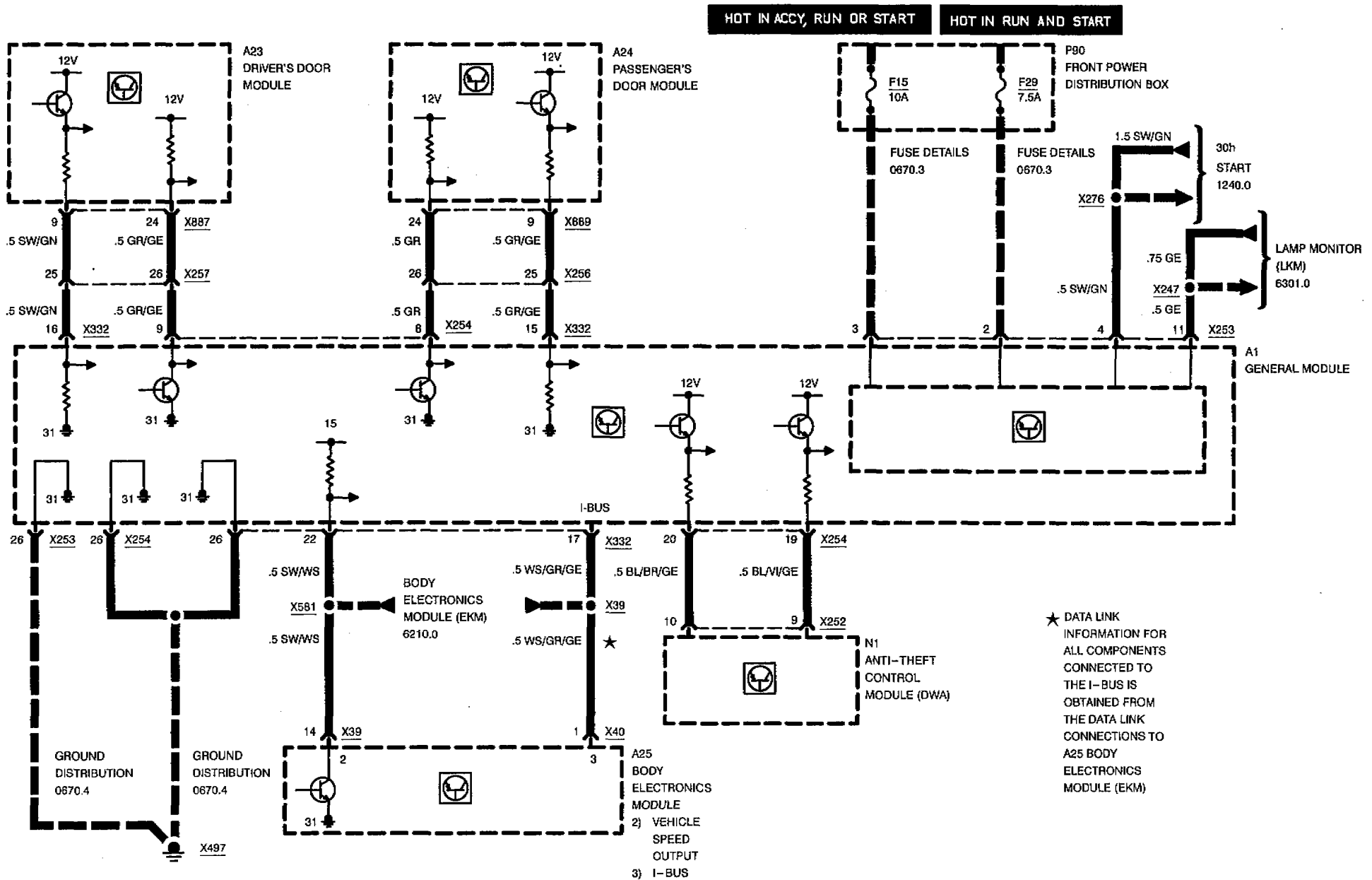


6100.0



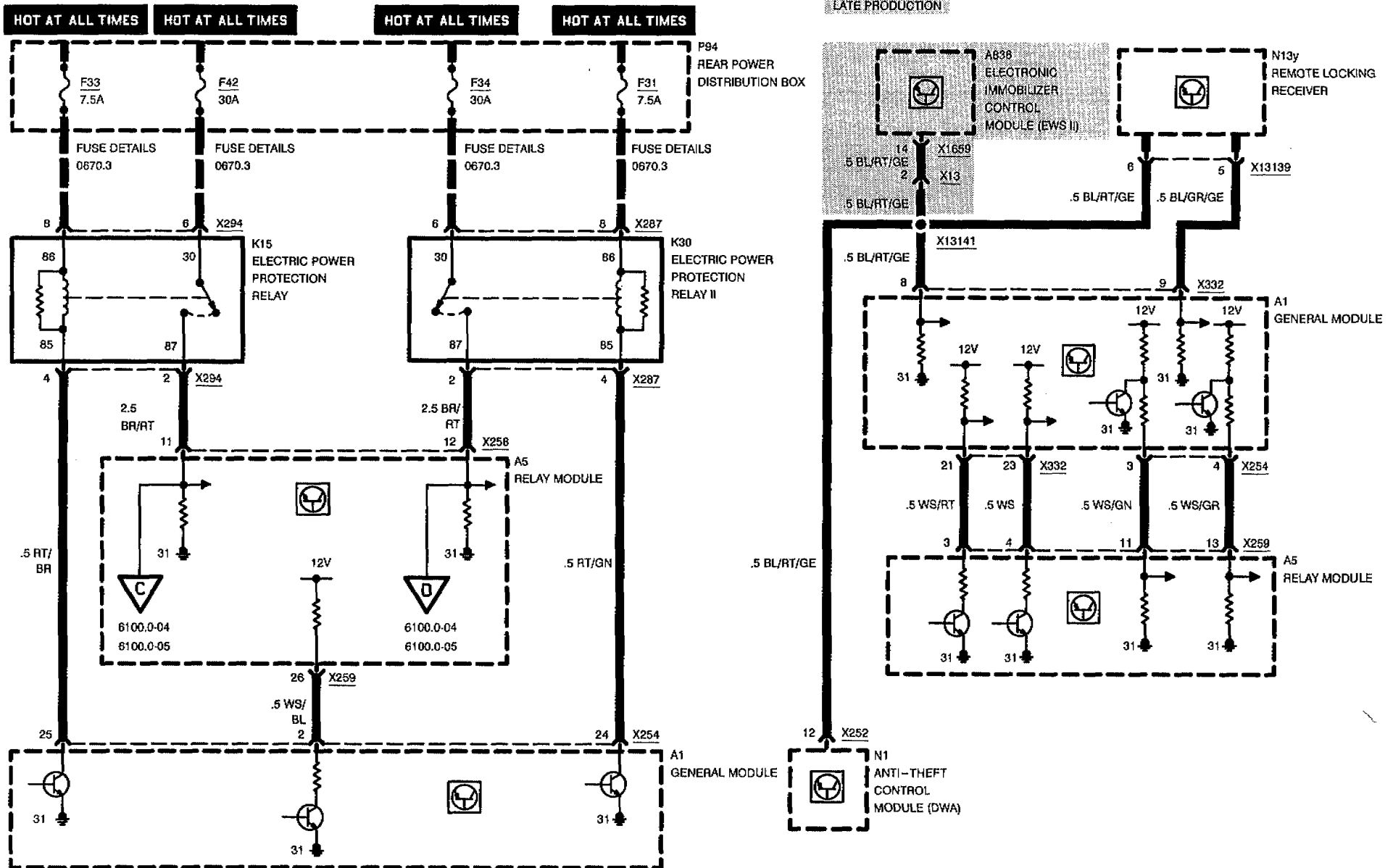
CENTRAL BODY ELECTRONICS (ZKE II)

GENERAL MODULE



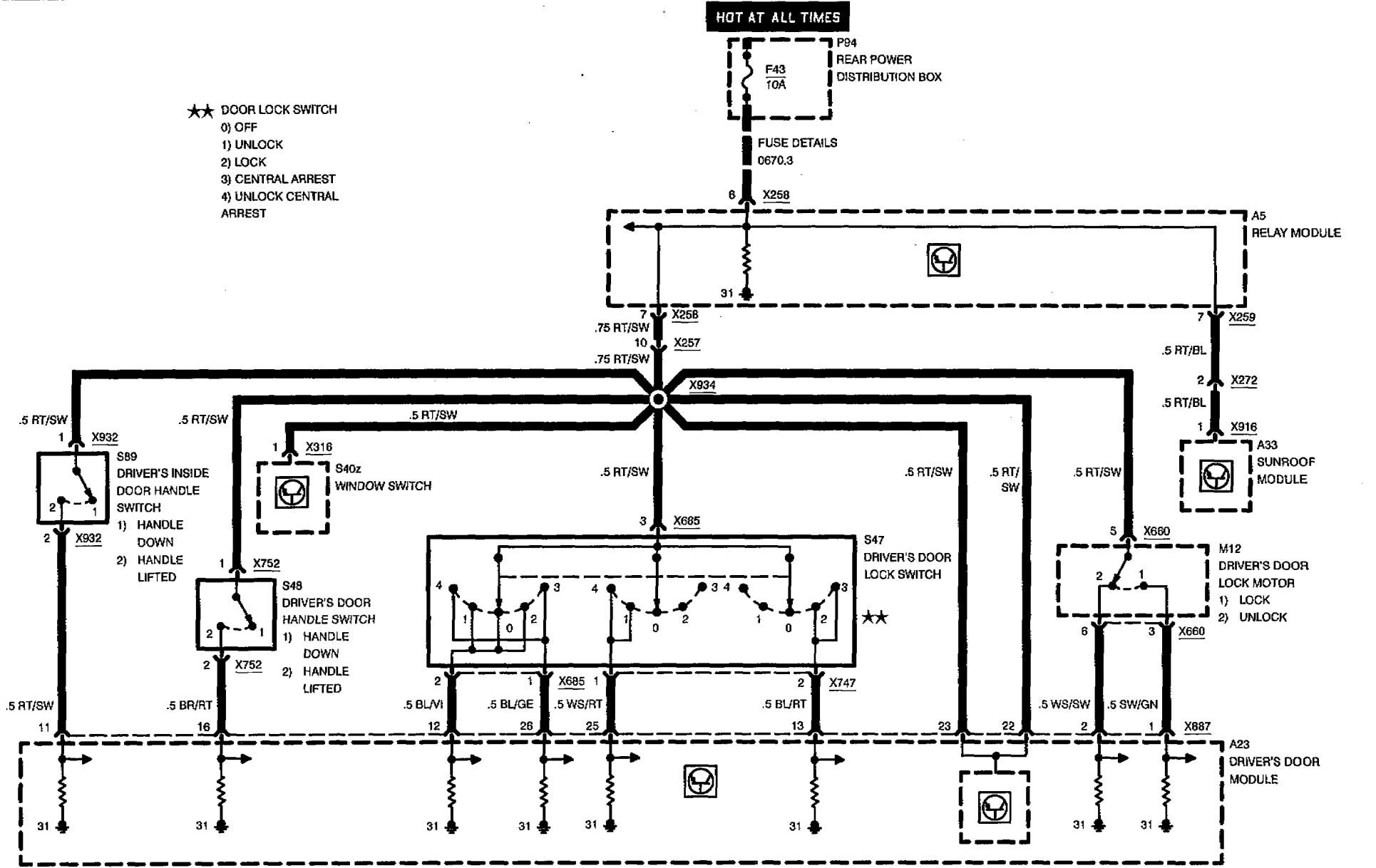


CENTRAL BODY ELECTRONICS (ZKE II)





CENTRAL BODY ELECTRONICS (ZKE II)

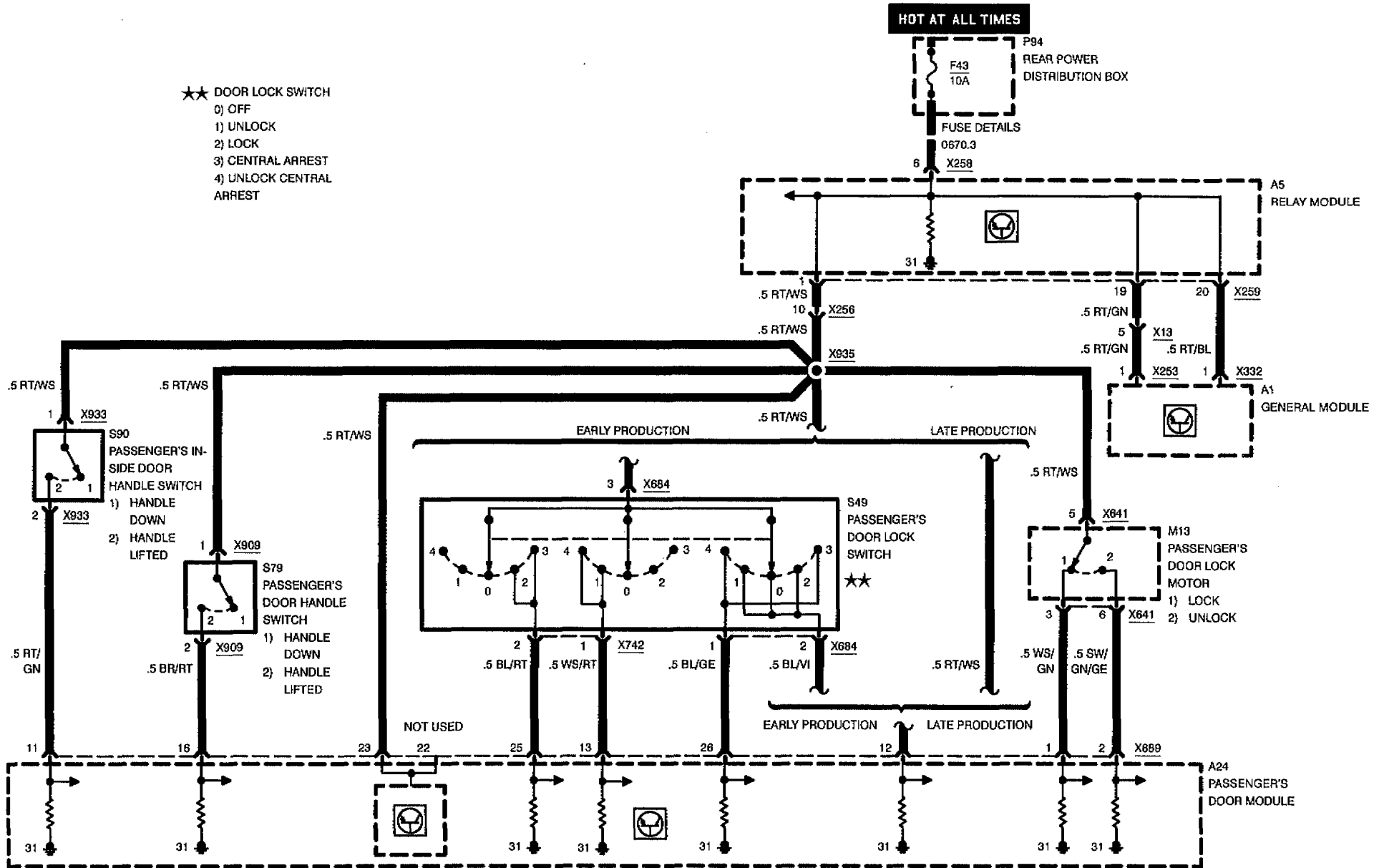


- ★★ DOOR LOCK SWITCH
- 0) OFF
 - 1) UNLOCK
 - 2) LOCK
 - 3) CENTRAL ARREST
 - 4) UNLOCK CENTRAL ARREST



CENTRAL BODY ELECTRONICS (ZKE II)

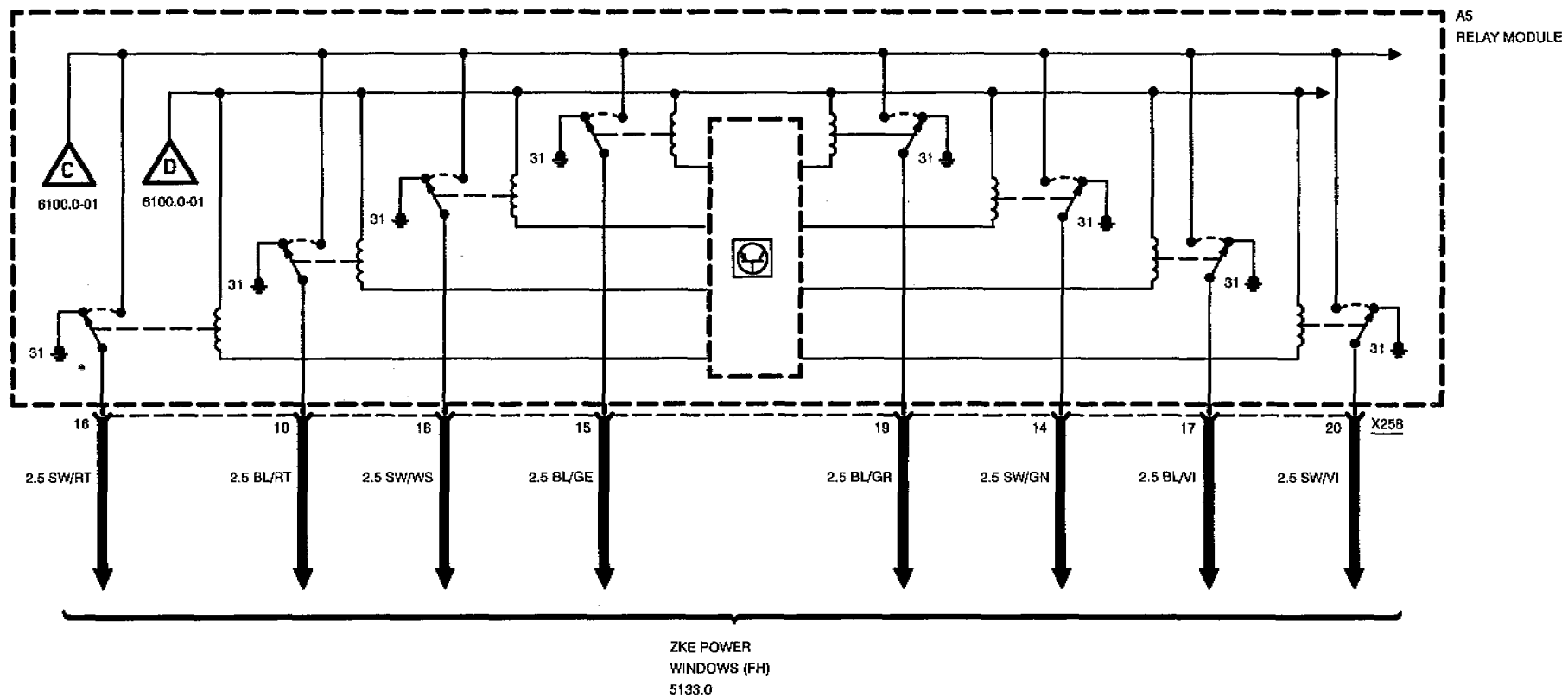
- ★★ DOOR LOCK SWITCH
- 0) OFF
- 1) UNLOCK
- 2) LOCK
- 3) CENTRAL ARREST
- 4) UNLOCK CENTRAL ARREST





CENTRAL BODY ELECTRONICS (ZKE II)

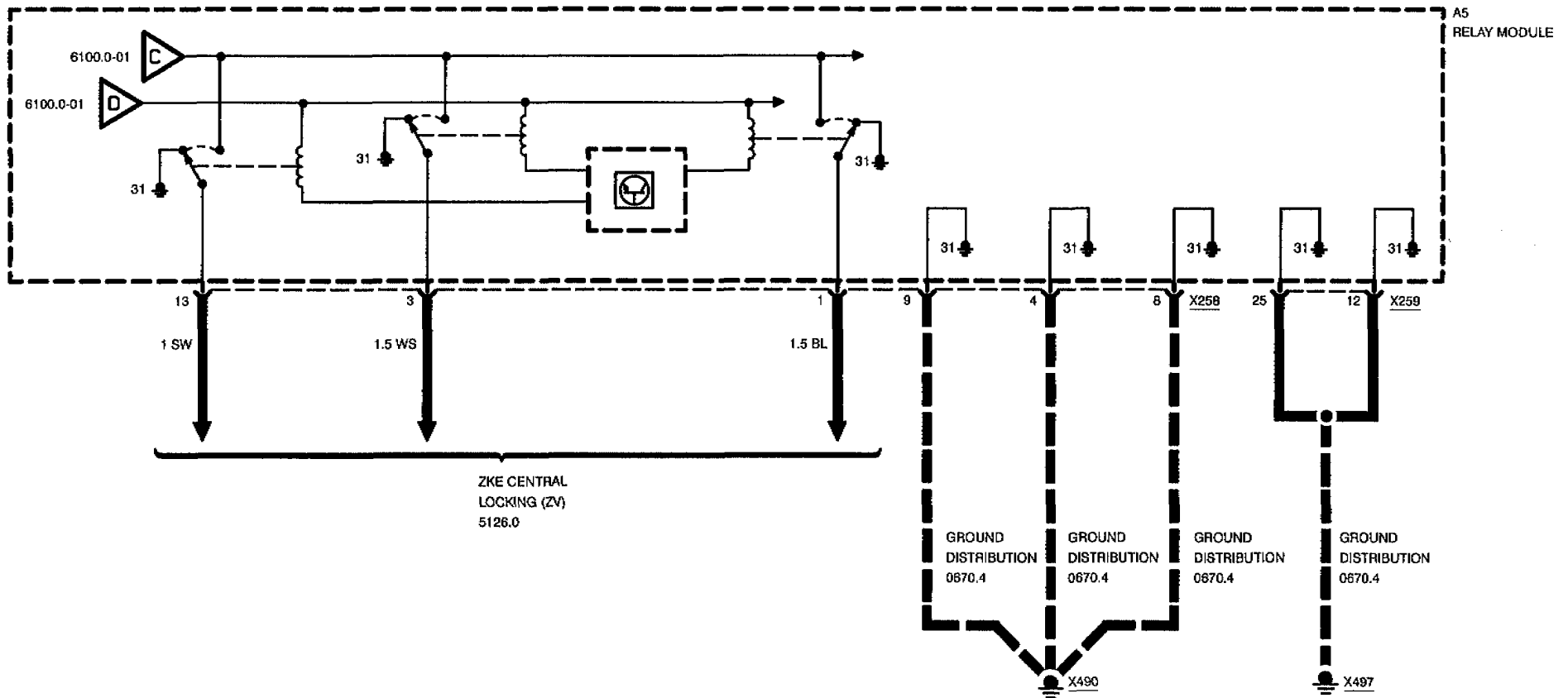
RELAY MODULE

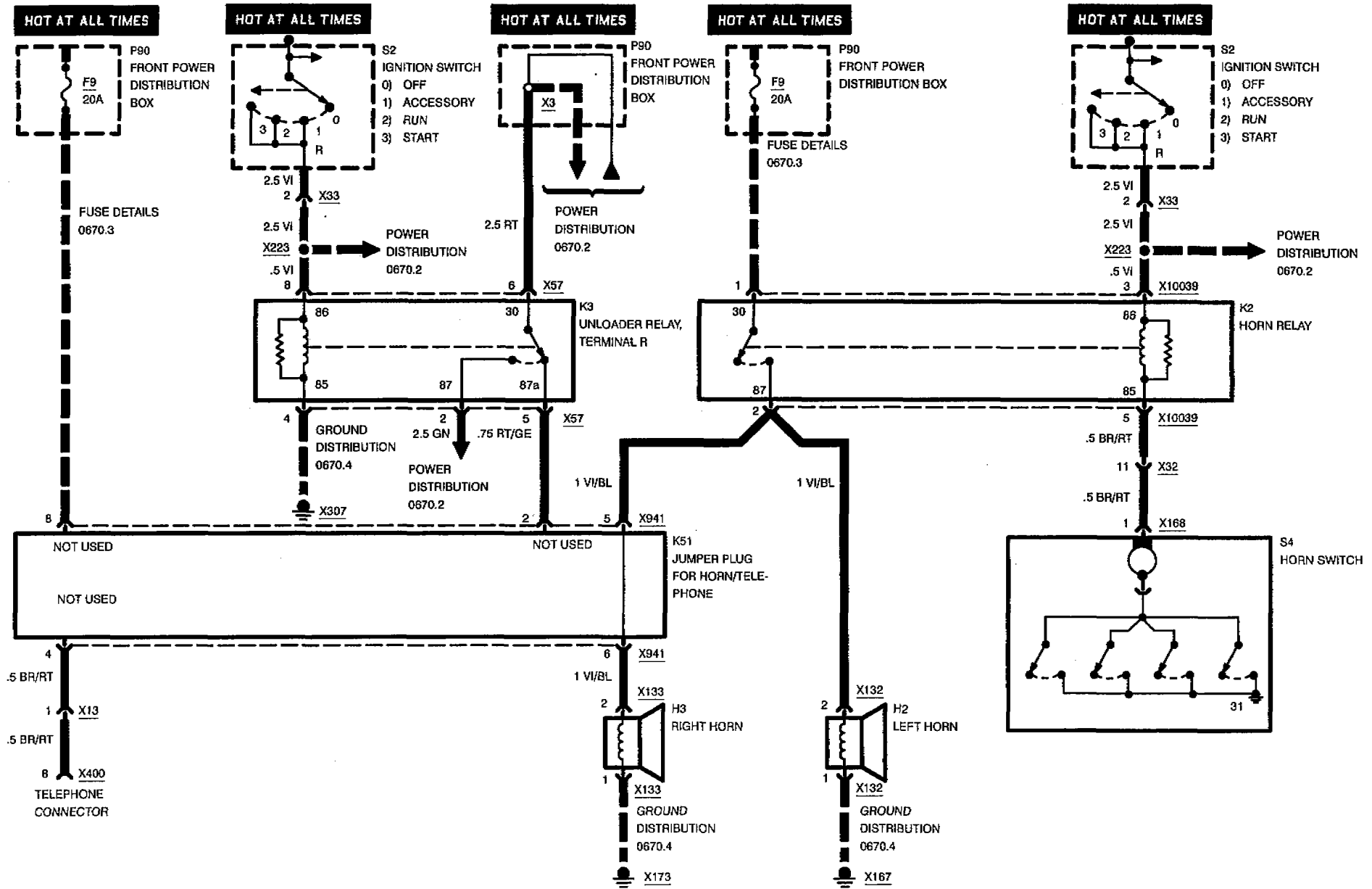




CENTRAL BODY ELECTRONICS (ZKE II)

RELAY MODULE







6135.0



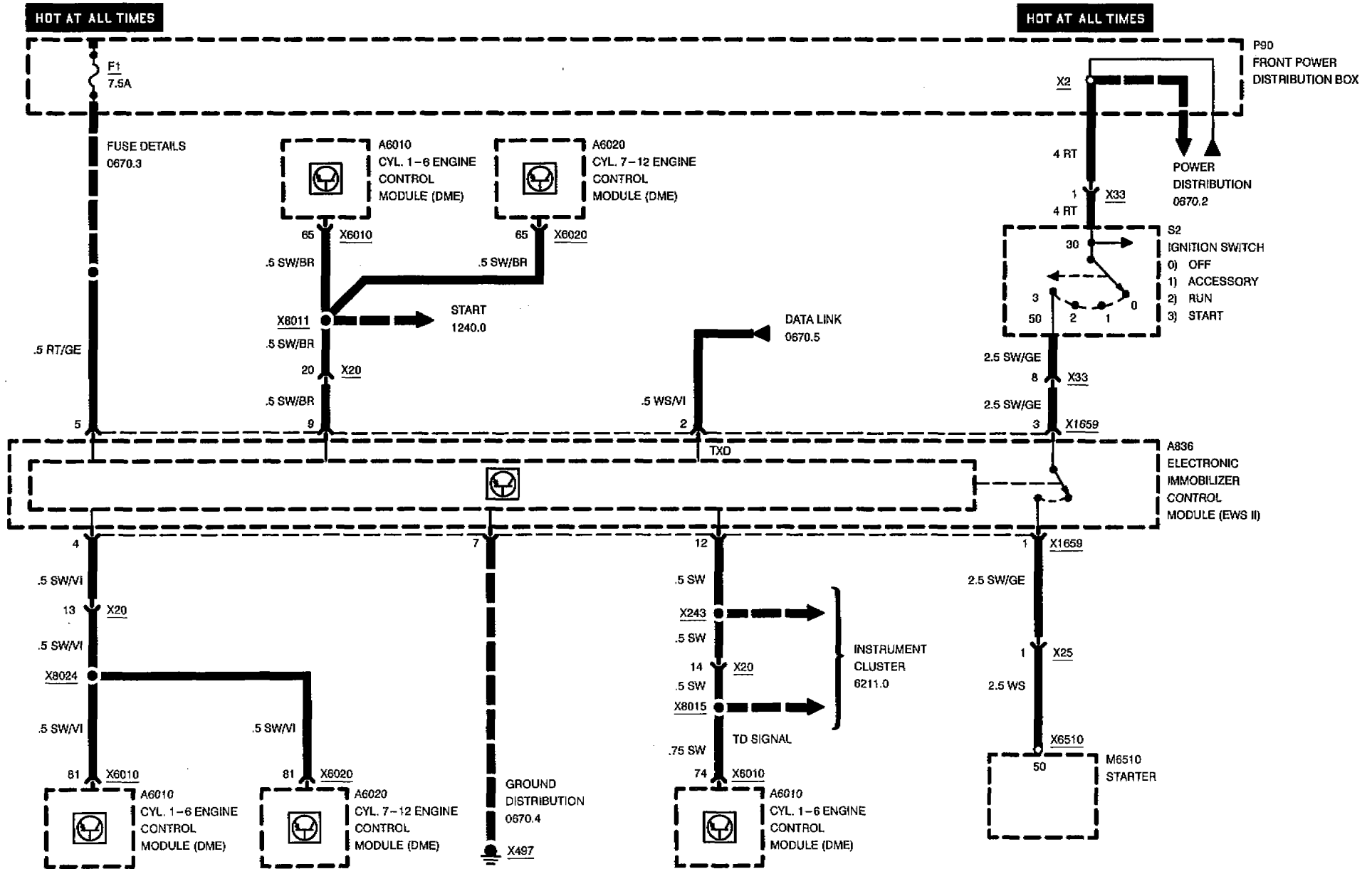
DRIVE-AWAY PROTECTION (EWS II)

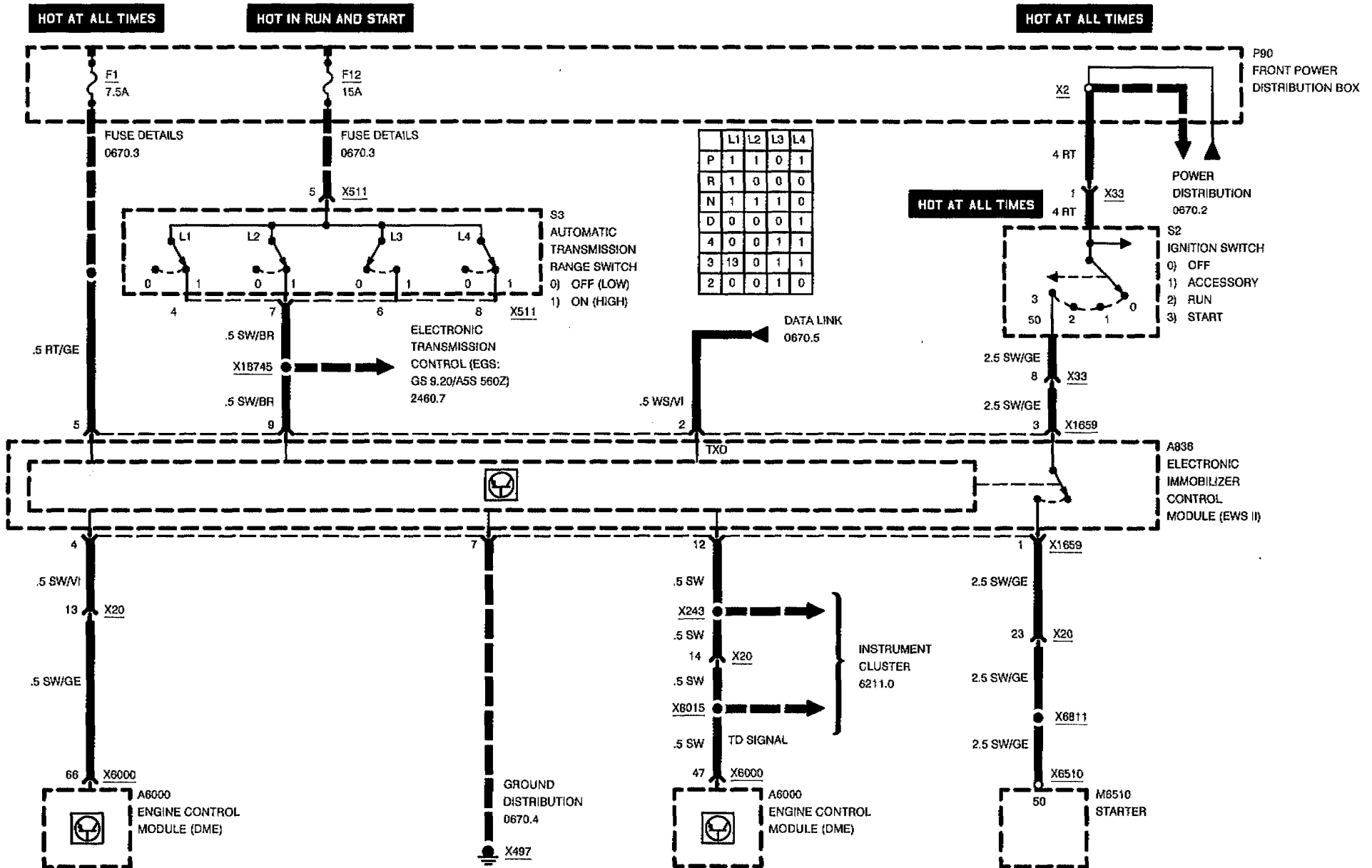
850CSI

02/97

6135.0-00

95/96

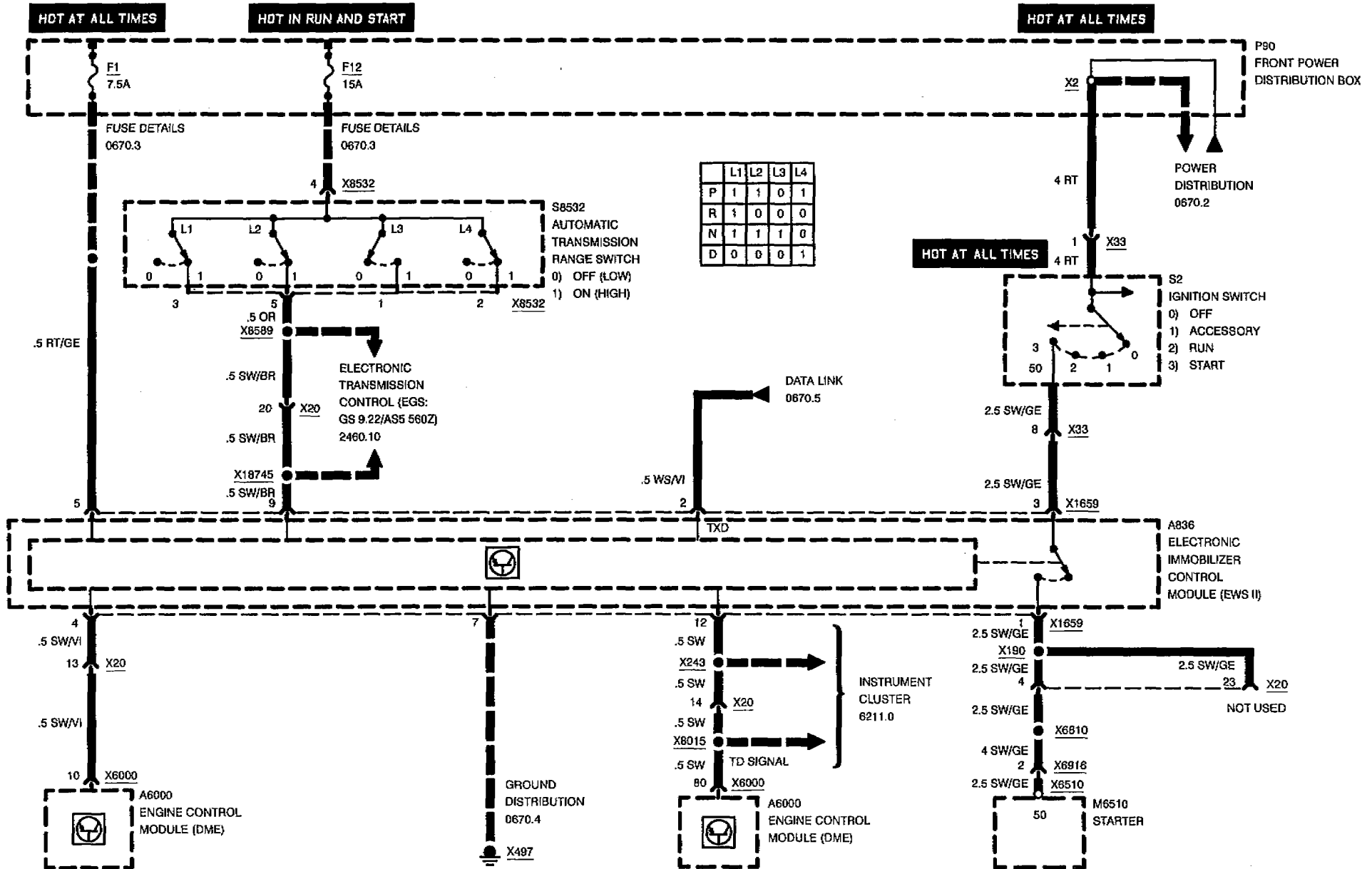






DRIVE-AWAY PROTECTION (EWS II)

840Ci (M62)



02/97

6135.0-02

95/96



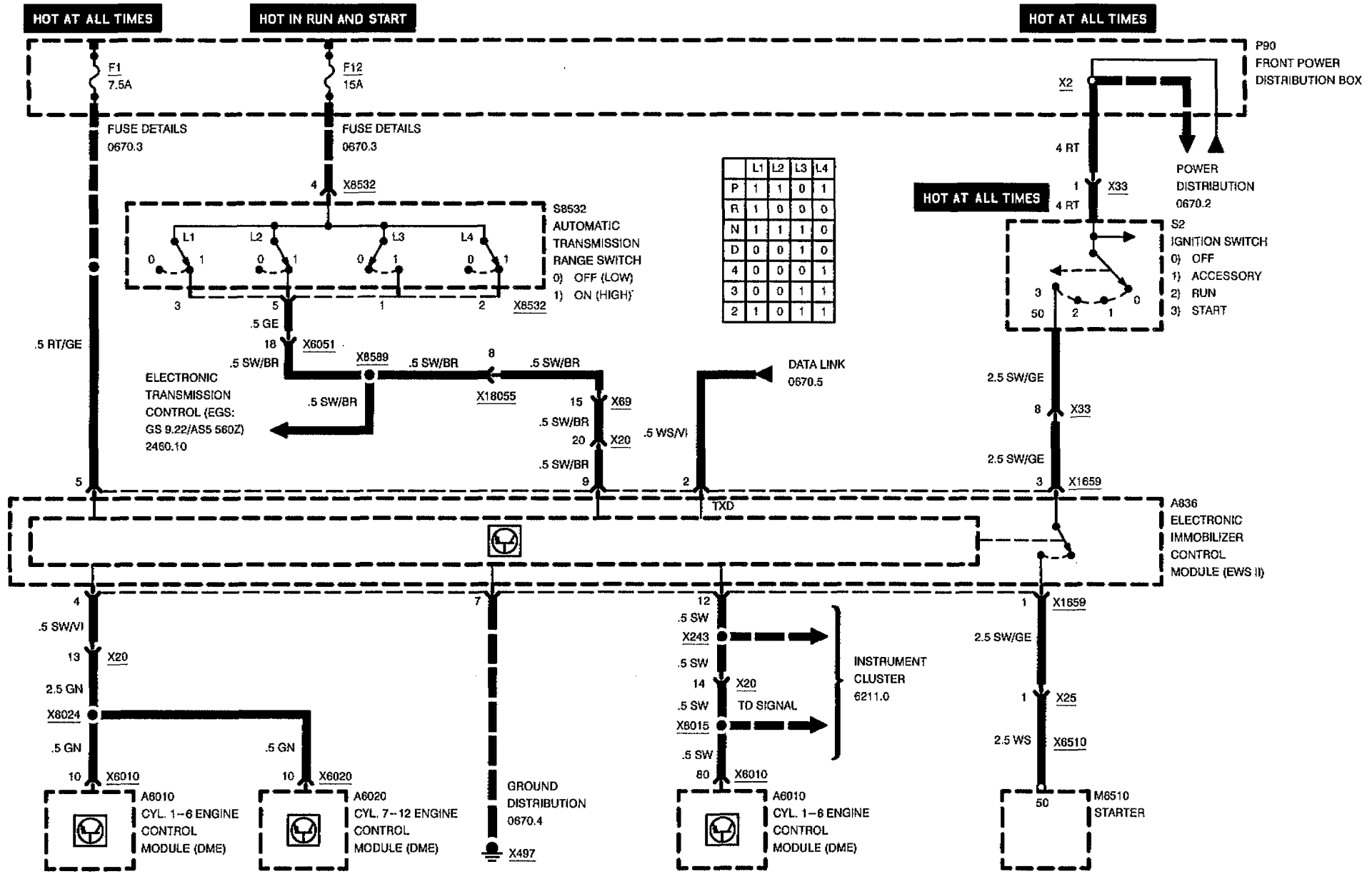
DRIVE-AWAY PROTECTION (EWS II)

850Ci

02/97

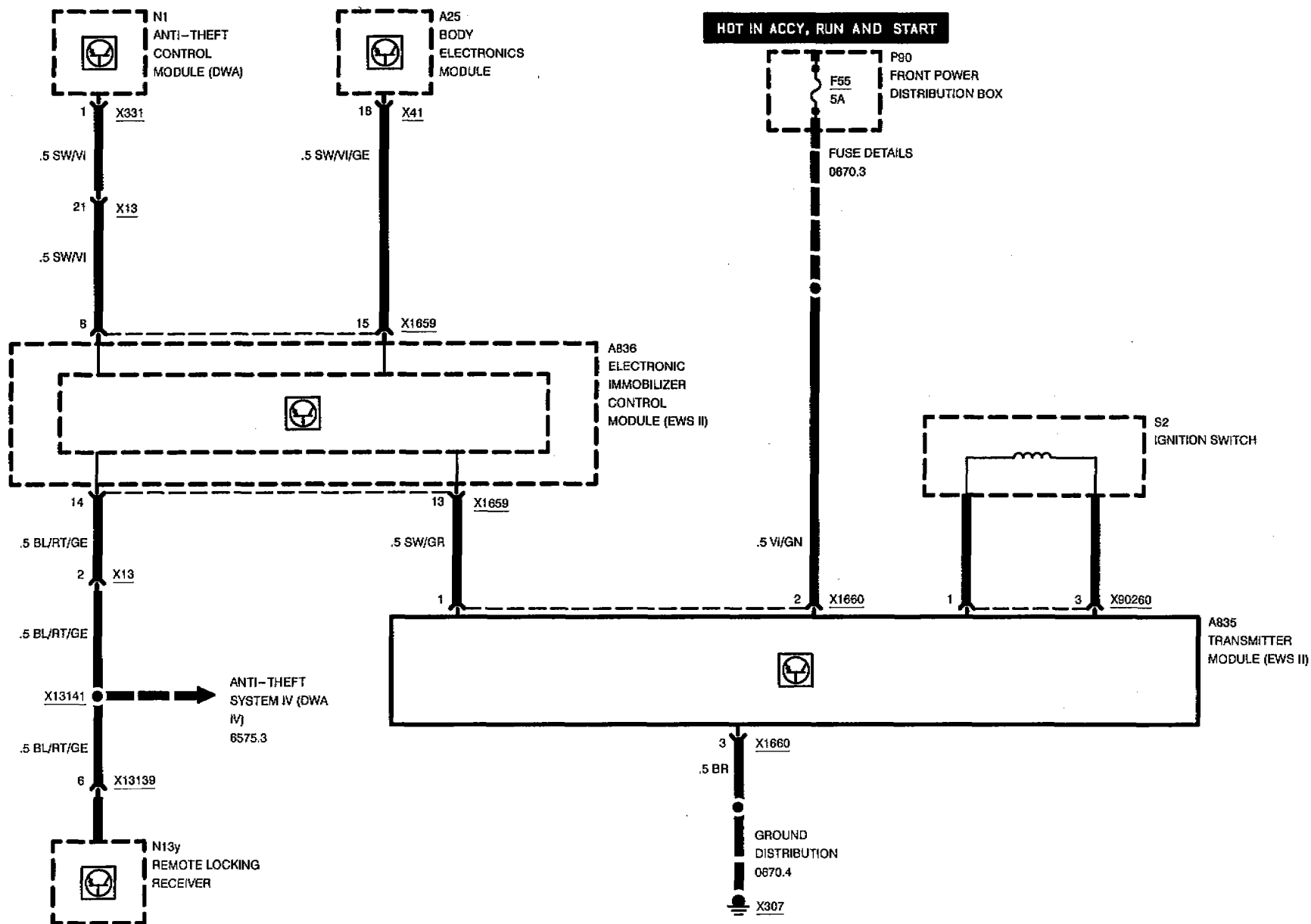
6135.0-03

95/96





DRIVE-AWAY PROTECTION (EWS II)

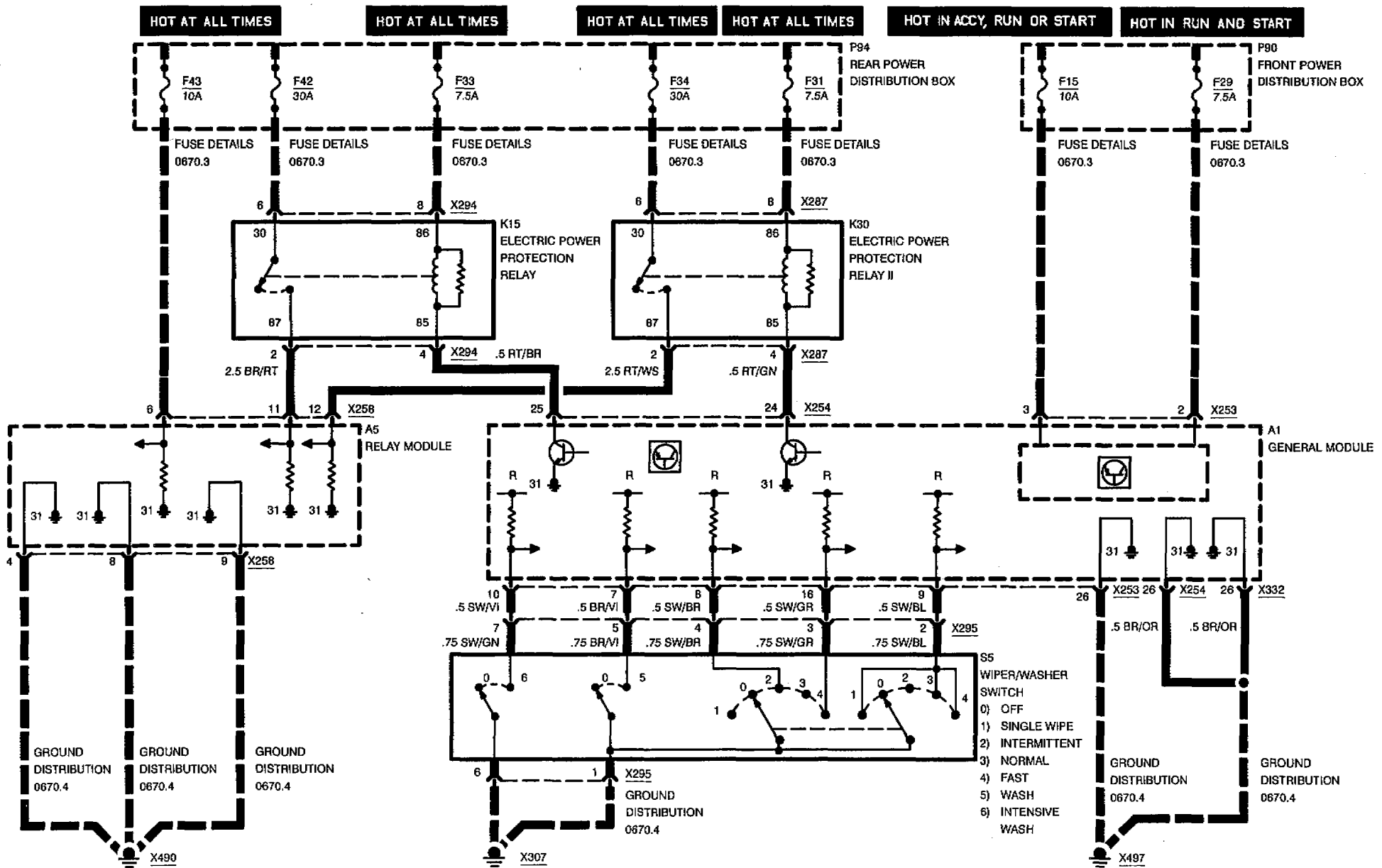


BMW
8

6160.0

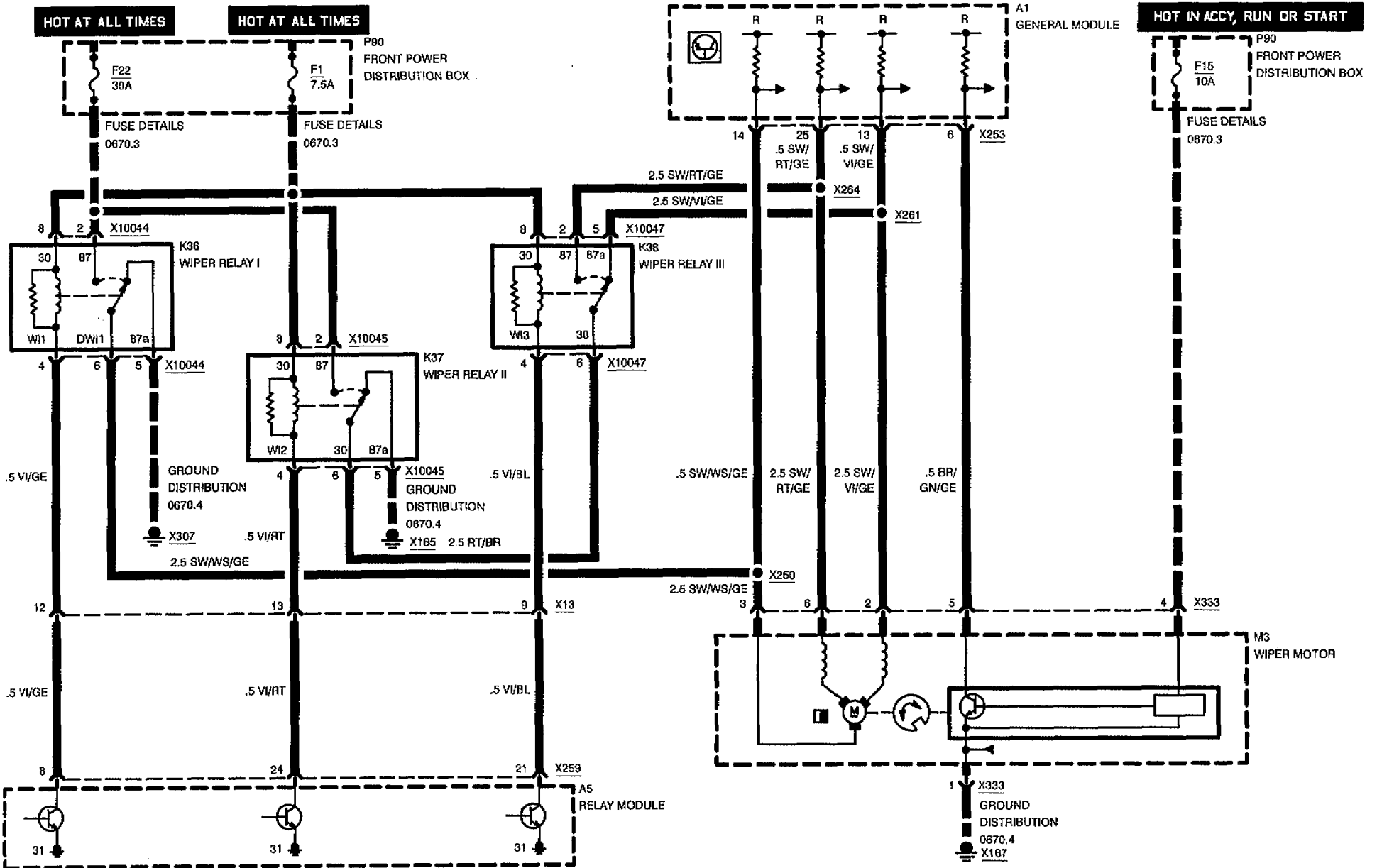


ZKE WIPER/WASHER CONTROL



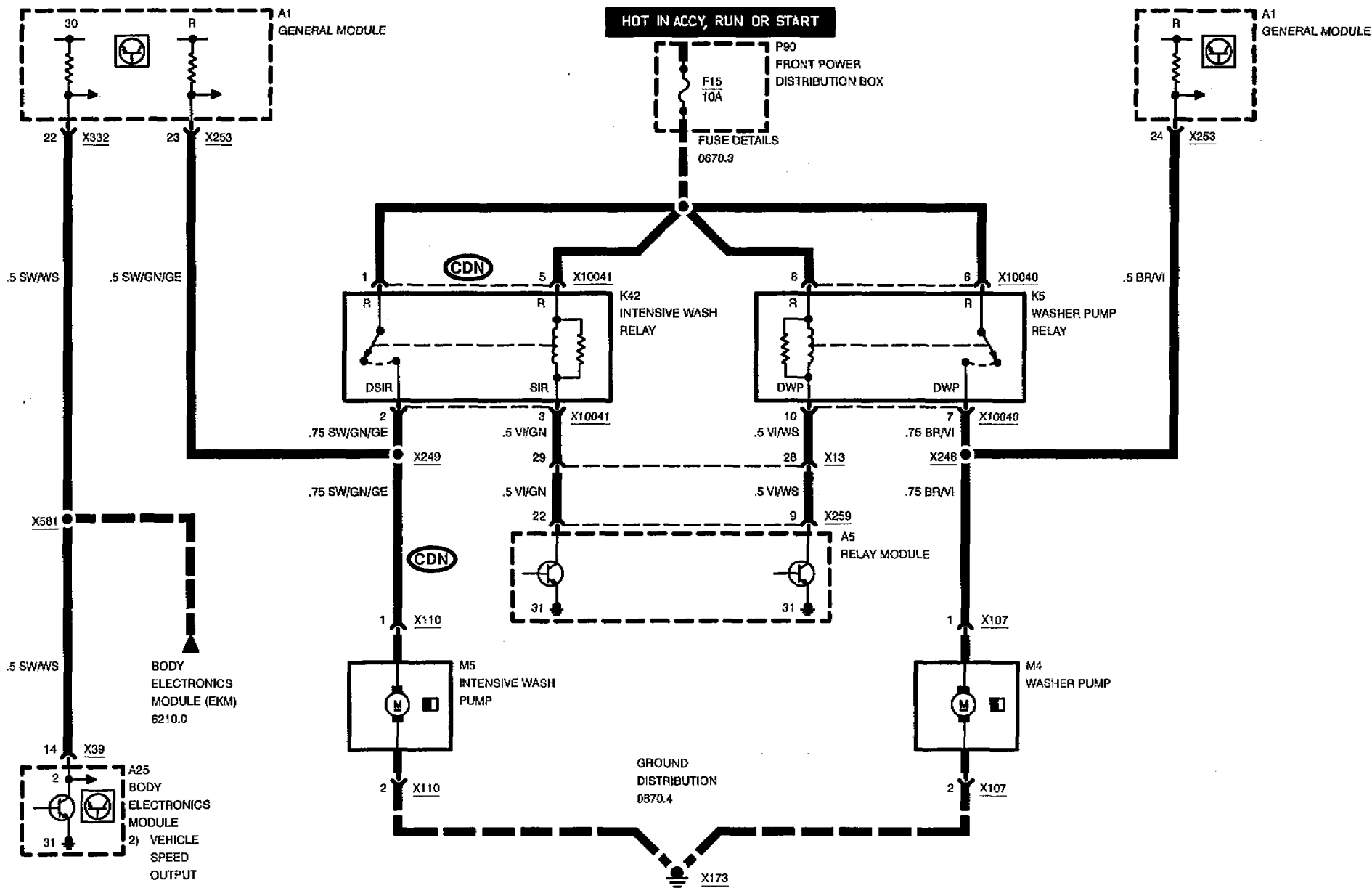


ZKE WIPER/WASHER CONTROL



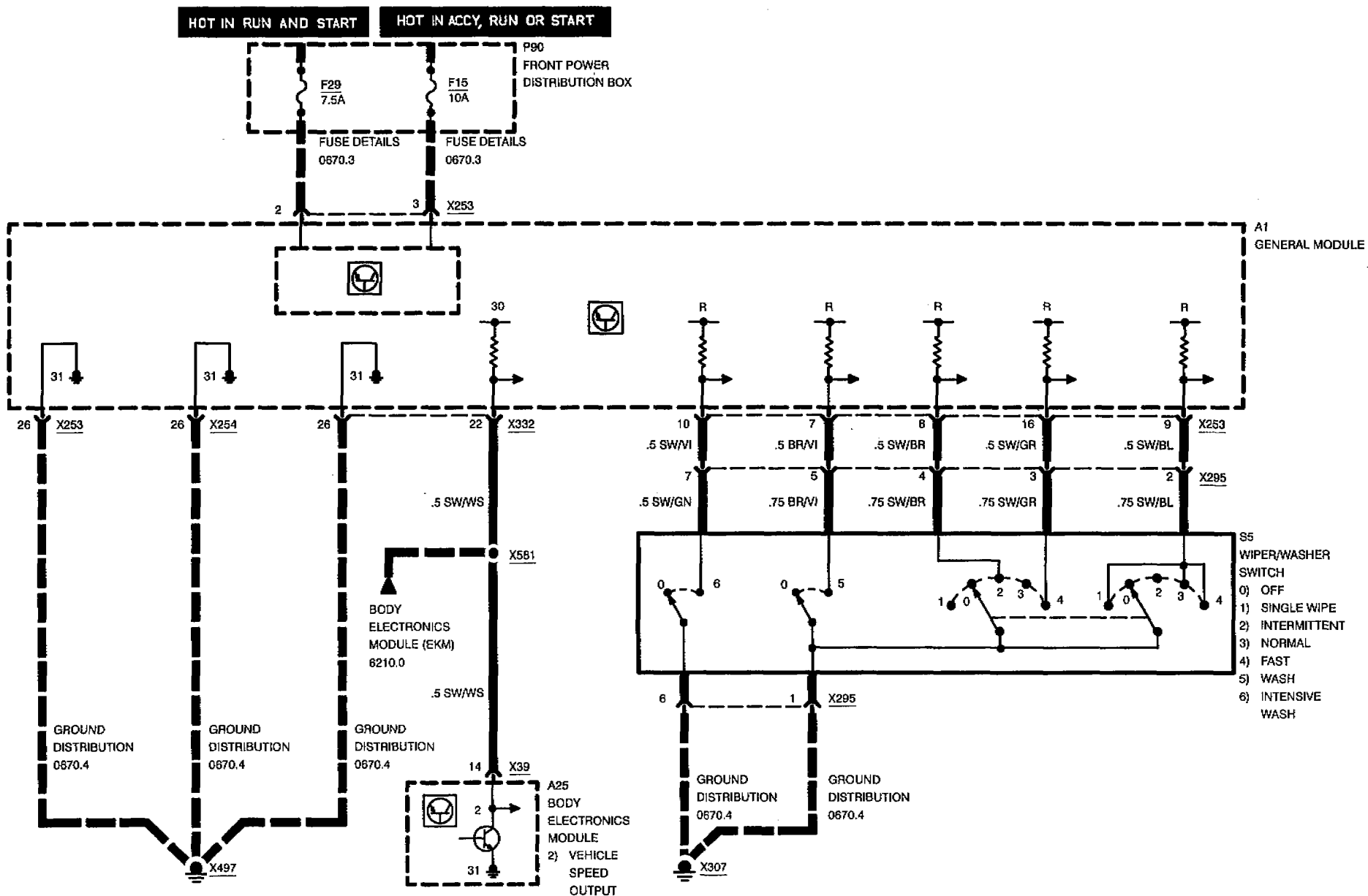


ZKE WIPER/WASHER CONTROL

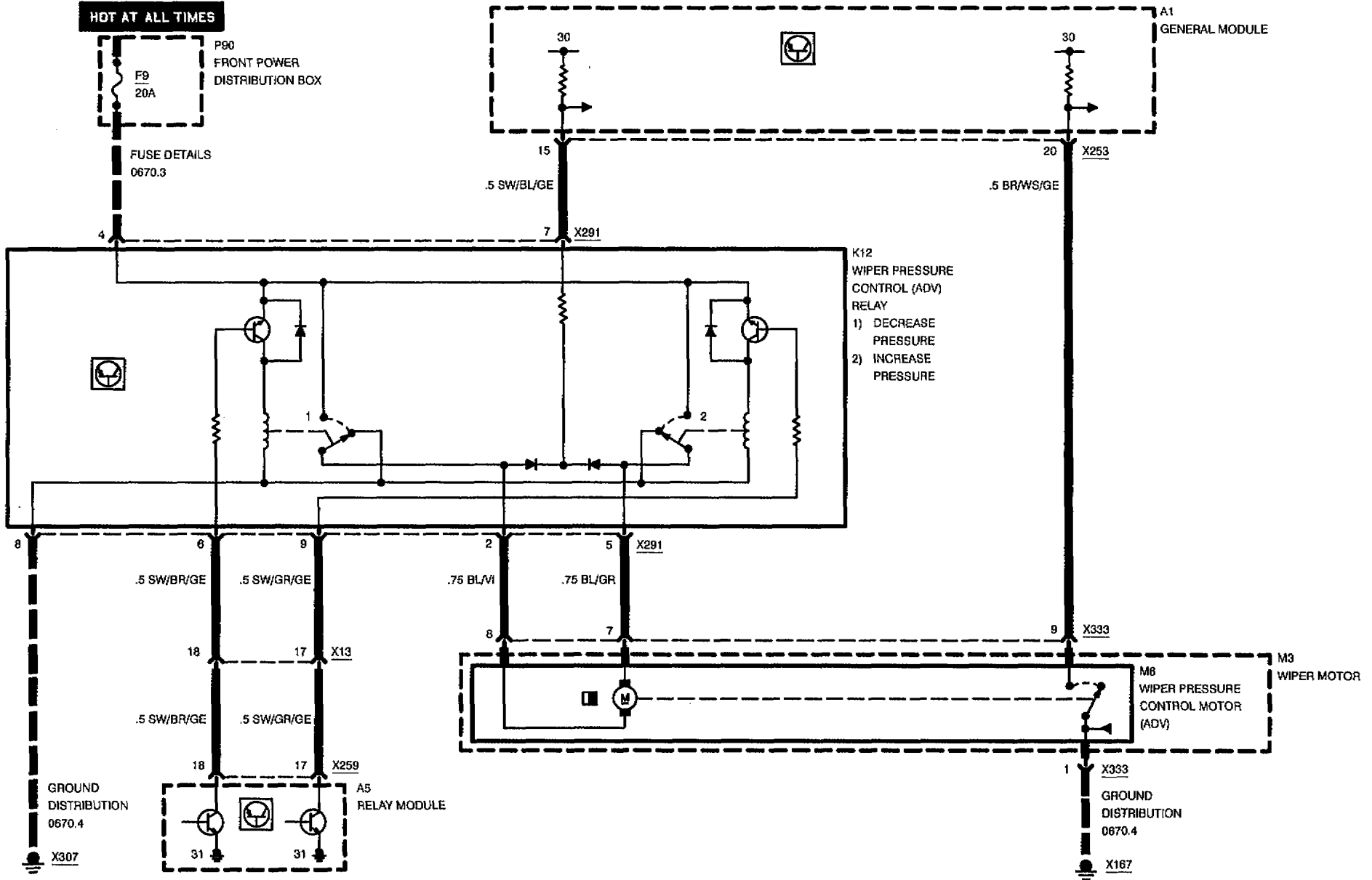




6164.0

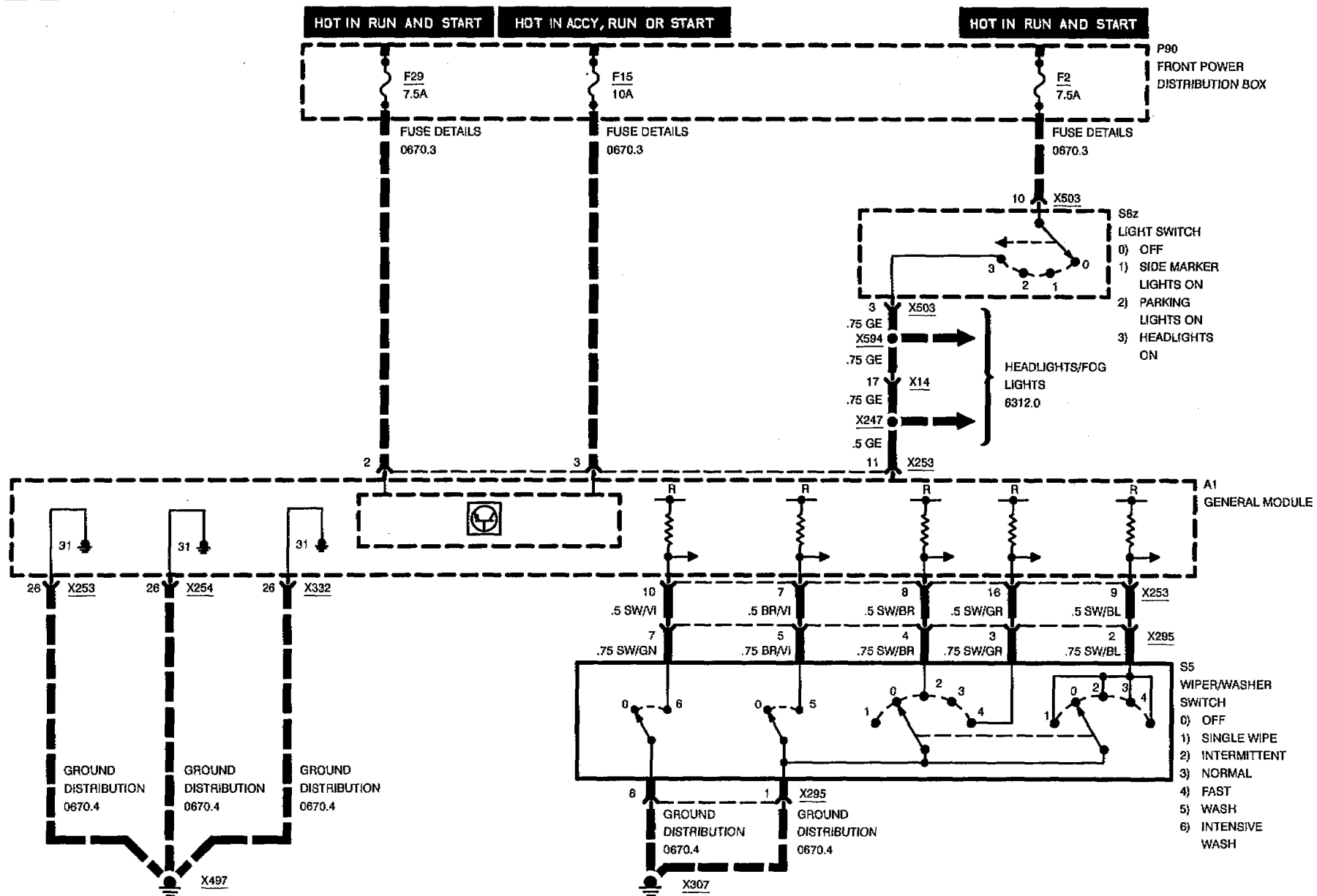


ZKE WINDSHIELD WIPER PRESSURE CONTROL (ADV)



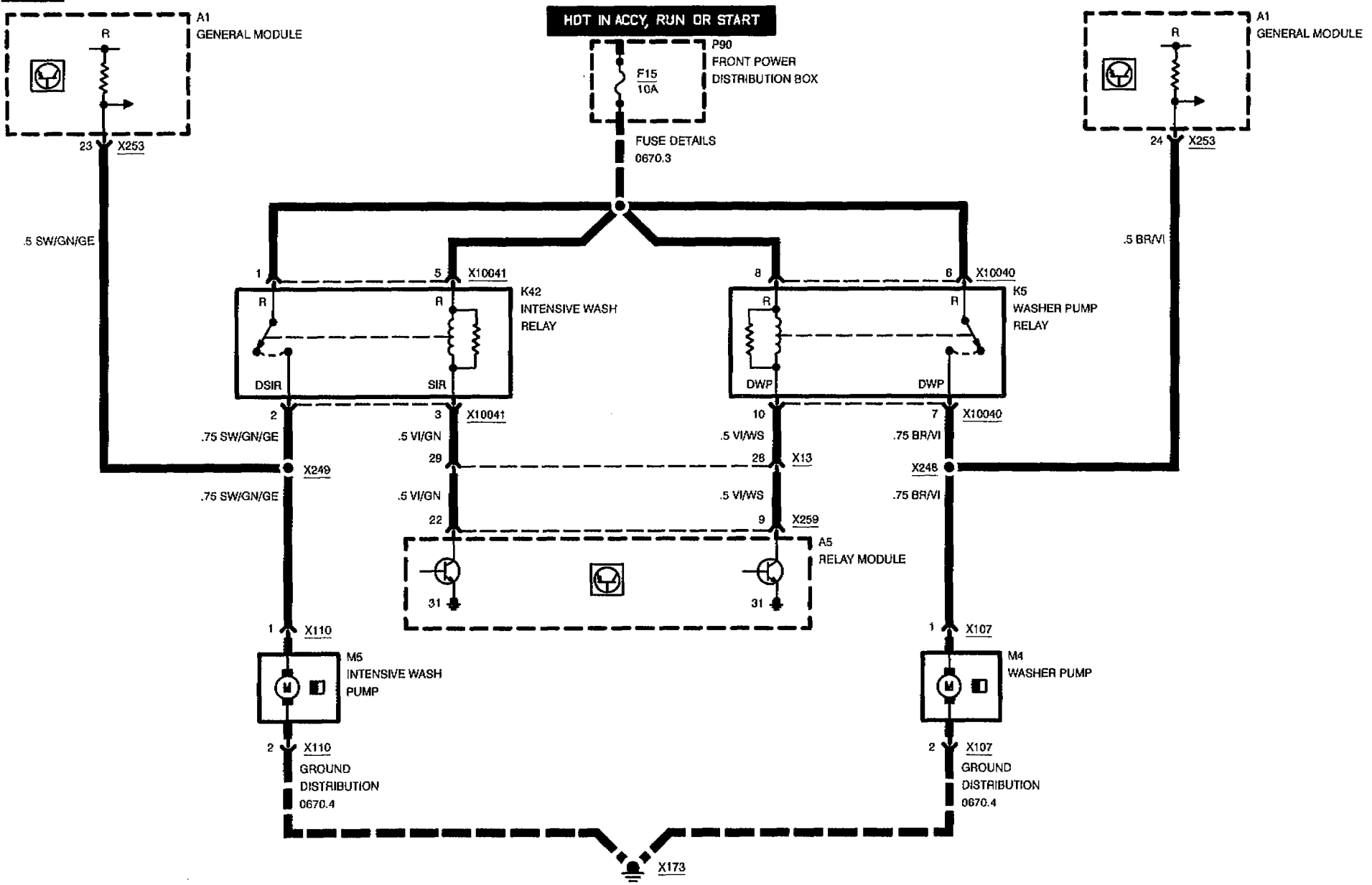


ZKE HEADLIGHT WASHER (SRA)





ZKE HEADLIGHT WASHER (SRA)

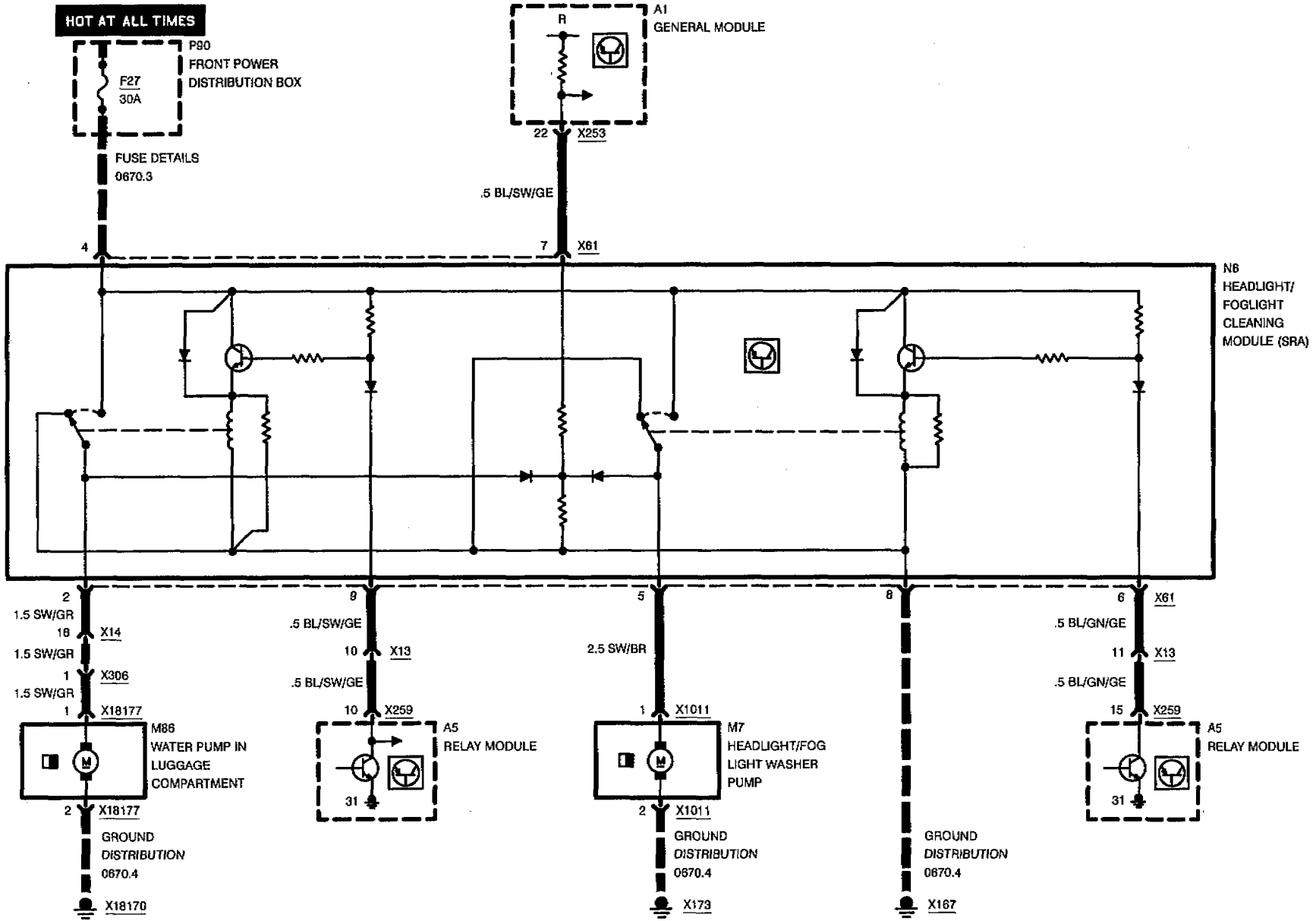




ZKE HEADLIGHT WASHER (SRA)



OUTPUT DETAILS

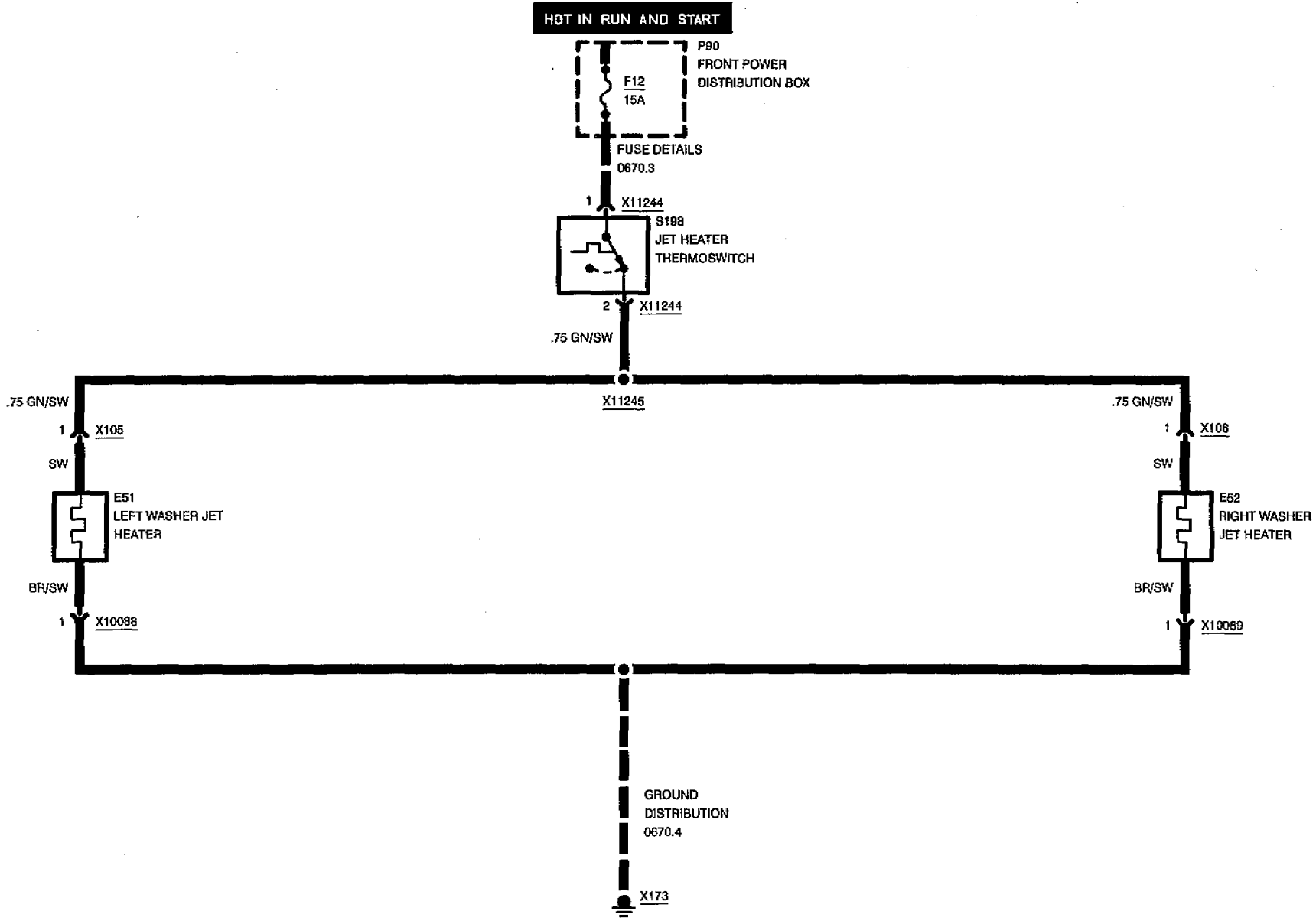


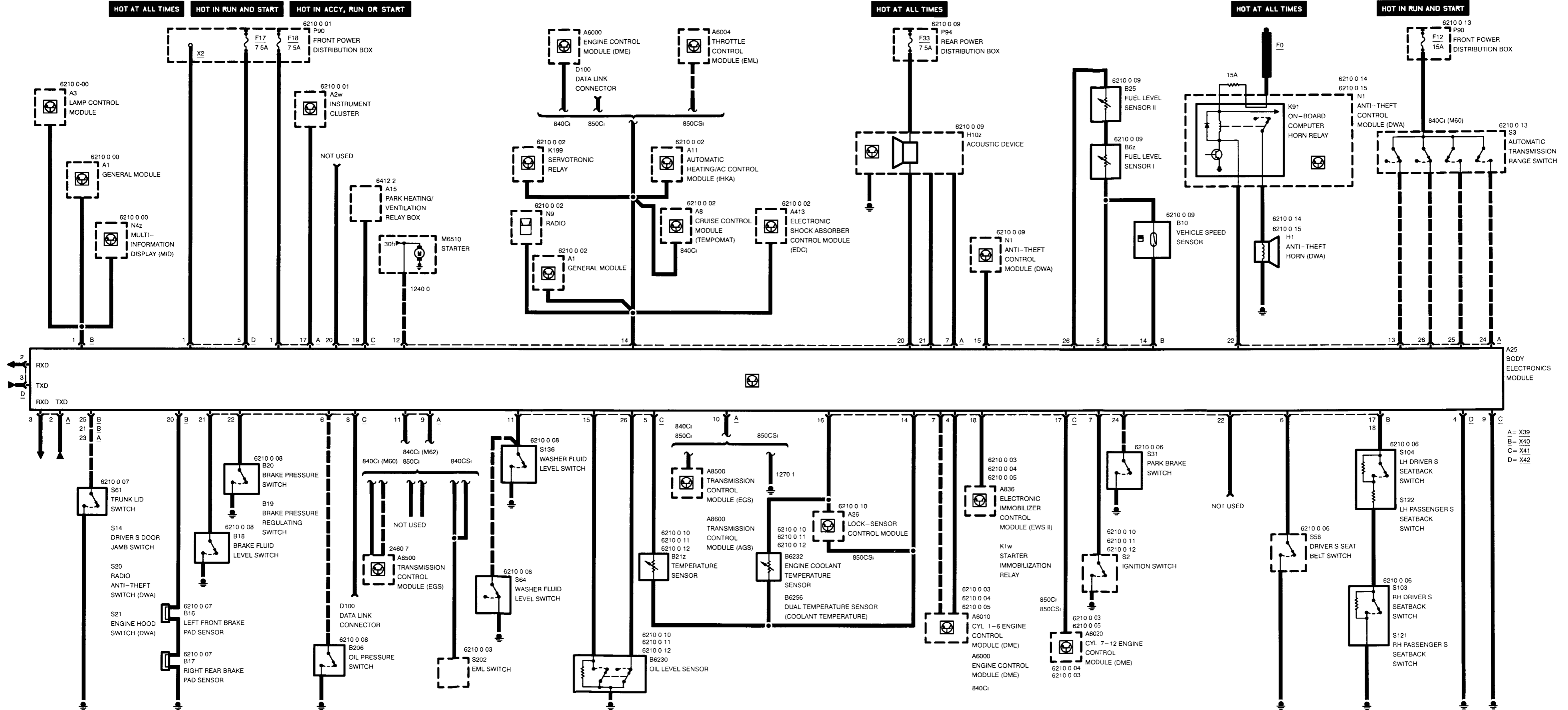
BMW
8

6169.0

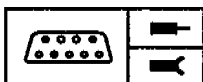


WINDSHIELD WASHER JET HEATERS





A= X39
 B= X40
 C= X41
 D= X42



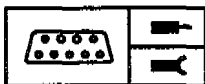
Pin Assignments

A=X39	26 pins, green
B=X40	26 pins, brown
C=X41	26 pins, blue
D=X42	5 pins, black

X39

Pin	Type	Description/Function	Connection
1	E	Voltage (terminal R)	Fuse 17
2	E/A	Diagnostic link (TxD)	TxD connection of various control units
3	E/A	Diagnostic link (RxD)	RxD connection of various control units
4		Not used	
5		Not used	
6		Not used	
7	A	Acoustic output 1 (hour reminder signal)	Acoustic device
8		Not used	
9	E	EML program	EML switch (850CSi)
9	E	Program manual	Program selector (840Ci-M60)
10	M	Ground	Ground point (850CSi)
10	E	Fault display	Transmission control module (850Ci, 840Ci)
11	E	EML program	EML switch (850CSi)
11	E	Program manual	Transmission control module (840Ci-M60)
12	E	Starter signal (30h)	Starter
13	E	Position switch L1	Automatic transmission range switch (840Ci-M60)
14	A	Vehicle speed signal	Various control modules
15		Not used	
16		Not used	
17	E/A	Instrument cluster interface/data transfer to instrument cluster	Instrument cluster
18		Not used	
19		Not used	
20	A	Acoustic output 2 (outside temperature warning)	Acoustic device

E = Input, A = Output, M = Ground



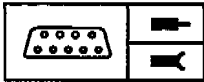
Pin Assignments

Pin	Type	Description/Function	Connection
21	A	Acoustic output 3 (check control message)	Acoustic device
22	A	Trigger alarm at antitheft horn with drive-away protection active	Antitheft module
23		Radio anti-theft system	Radio contact
24	E	Position switch L 4	Automatic transmission range switch (840Ci-M60)
25	E	Position switch L 3	Automatic transmission range switch (840Ci-M60)
26	E	Position switch L 2	Automatic transmission range switch (840Ci-M60)

X40

Pin	Type	Description/Function	Connection
1	E/A	I-bus (instrument bus)	I-bus users
2		Not used	
3		Not used	
4		Not used	
5	A	Sensor ground	Fuel level sensor and vehicle speed sensor
6	E	Seat belt buckle signal	Driver's seat belt switch
7	E	Ignition key status	Ignition switch
8		Not used	
9		Not used	
10		Not used	
11		Not used	
12		Not used	
13		Not used	
14	E	Vehicle speed signal	Vehicle speed sensor
15	A	Speed signal for DWA	DWA - Control module
16		Not used	
17	E	Left backrest locked signal	Driver's seatback switches
18	E	Right backrest locked signal	Passenger's seatback switches

E = Input, A = Output, M = Ground



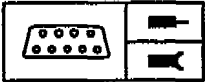
Pin Assignments

Pin	Type	Description/Function	Connection
19		Not used	
20	E	Brake pad wear indicator	Brake pad sensors
21	E	Driver's door status	Driver's door jamb switch
22		Not used	
23		Not used	
24	E	Park brake status	Park brake switch
25	E	Trunk lid status	Trunk lid switch
26	E	Fuel level	Fuel level sensors

X41

Pin	Type	Description/Function	Connection
1		Not used	
2		Not used	
3		Not used	
4	E	Injection signal 1 (ti)	Cyl. 1 - 6 engine control module (DME) (850Ci, 850CSi) Engine control module (DME) (840Ci)
5	E	Outside temperature	Temperature sensor
6	E	Engine oil pressure	Oil pressure switch
7	E	Engine speed (rpm) signal (tD)	Cyl. 1 - 6 engine control module (DME) (850Ci, 850CSi) Engine control module (DME) (840Ci)
8	E	SIA reset	Data link connector Pin 7
9	M	Ground	Ground point
10		Not used	
11	E	Washer fluid level	Washer fluid level switches
12		Not used	
13		Not used	
14	A	Sensor ground	Temperature sensor for coolant and out- side temperature
15	E	Dynamic engine oil level	Oil level sensor
16	E	Coolant temperature	Coolant temperature sensor

E = Input, A = Output, M = Ground



Pin Assignments

Pin	Type	Description/Function	Connection
17	E	Injection signal 2 (ti)	Cyl. 7 - 12 engine control module (DME) (850Ci, 850CSi)
18	A	Drive away protection	Starter immobilization relay (early production) Electronic immobilizer control module (EWS II) (late production)
19	E	Park ventilation	Park heating/ventilation relay box
20		Not used	
21	E	Brake fluid level	Brake fluid level switch
22	E	Brake pressure	Brake pressure switches
23		Not used	
24		Not used	
25		Not used	
26	E	Static engine oil level	Oil level sensor

X42

Pin	Type	Description/Function	Connection
1	E	Voltage supply (terminal 30)	Battery
2	E/A	RxD diagnostic data line	Data link connector
3	E/A	TxD diagnostic data line	Data link connector
4	E	Ground	Ground point
5	E	Voltage (terminal 15)	Fuse 17

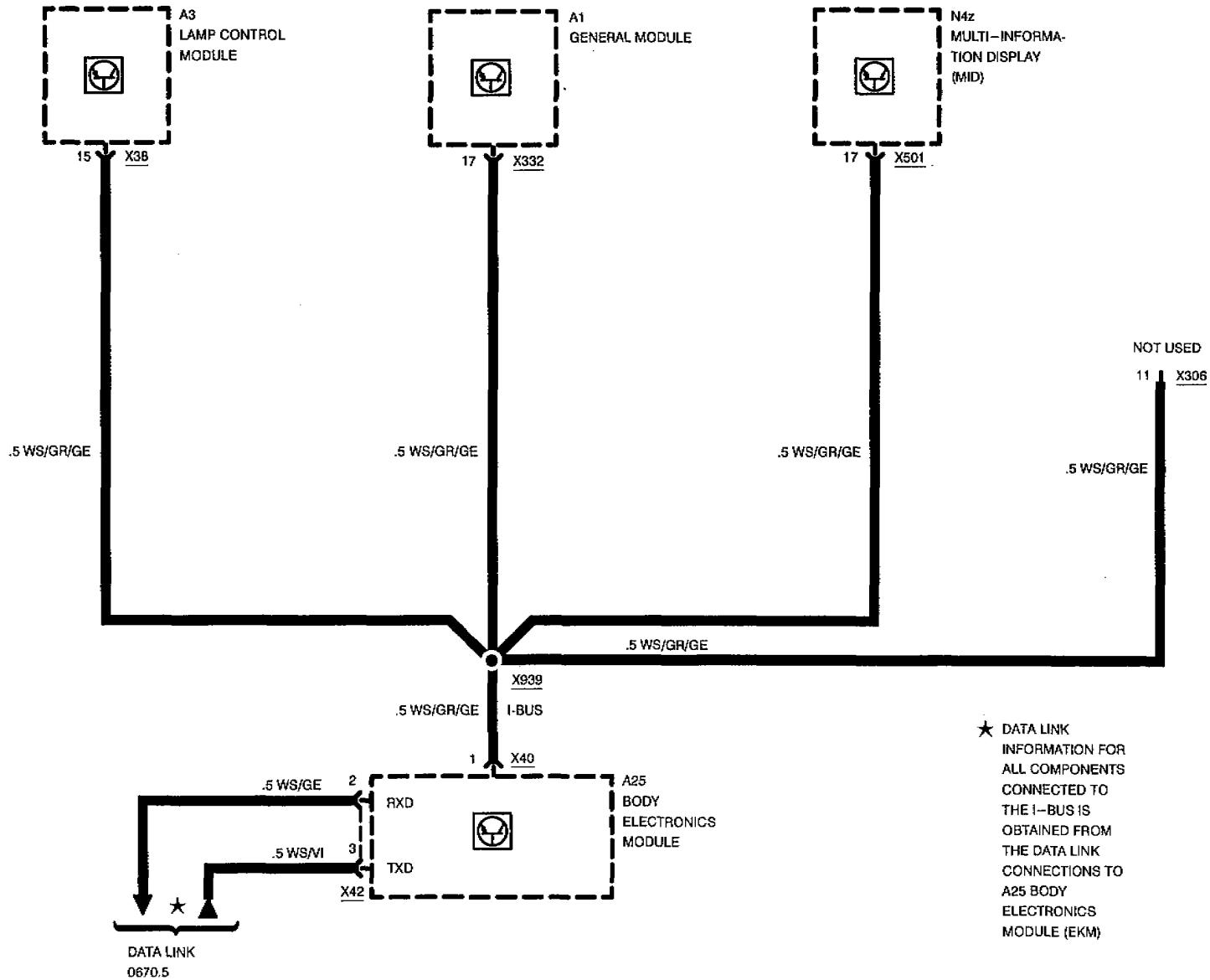
E = Input, A = Output, M = Ground





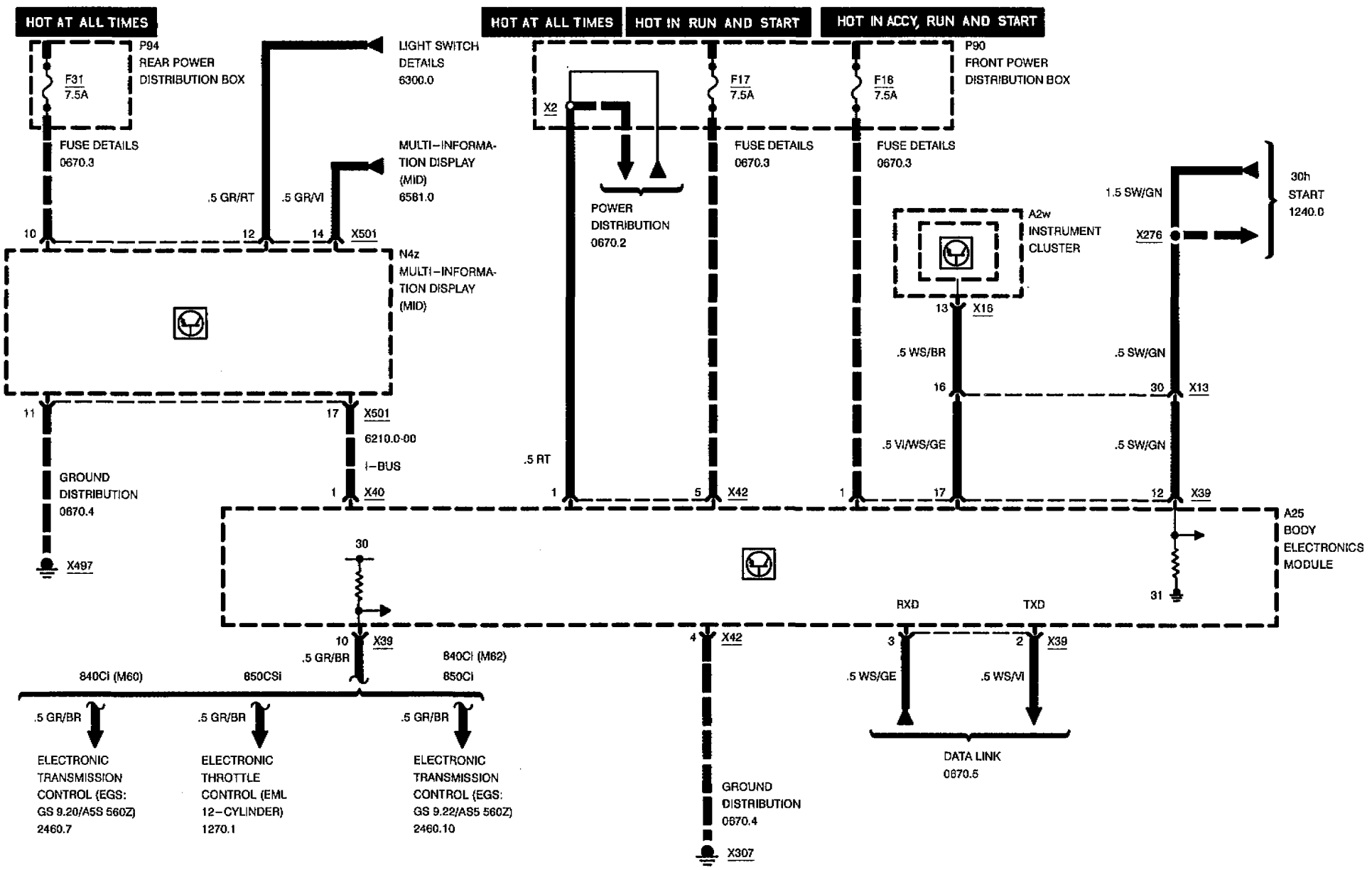
BODY ELECTRONICS MODULE (EKM)

INSTRUMENTATION BUS (I-BUS)





BODY ELECTRONICS MODULE (EKM)



02/97

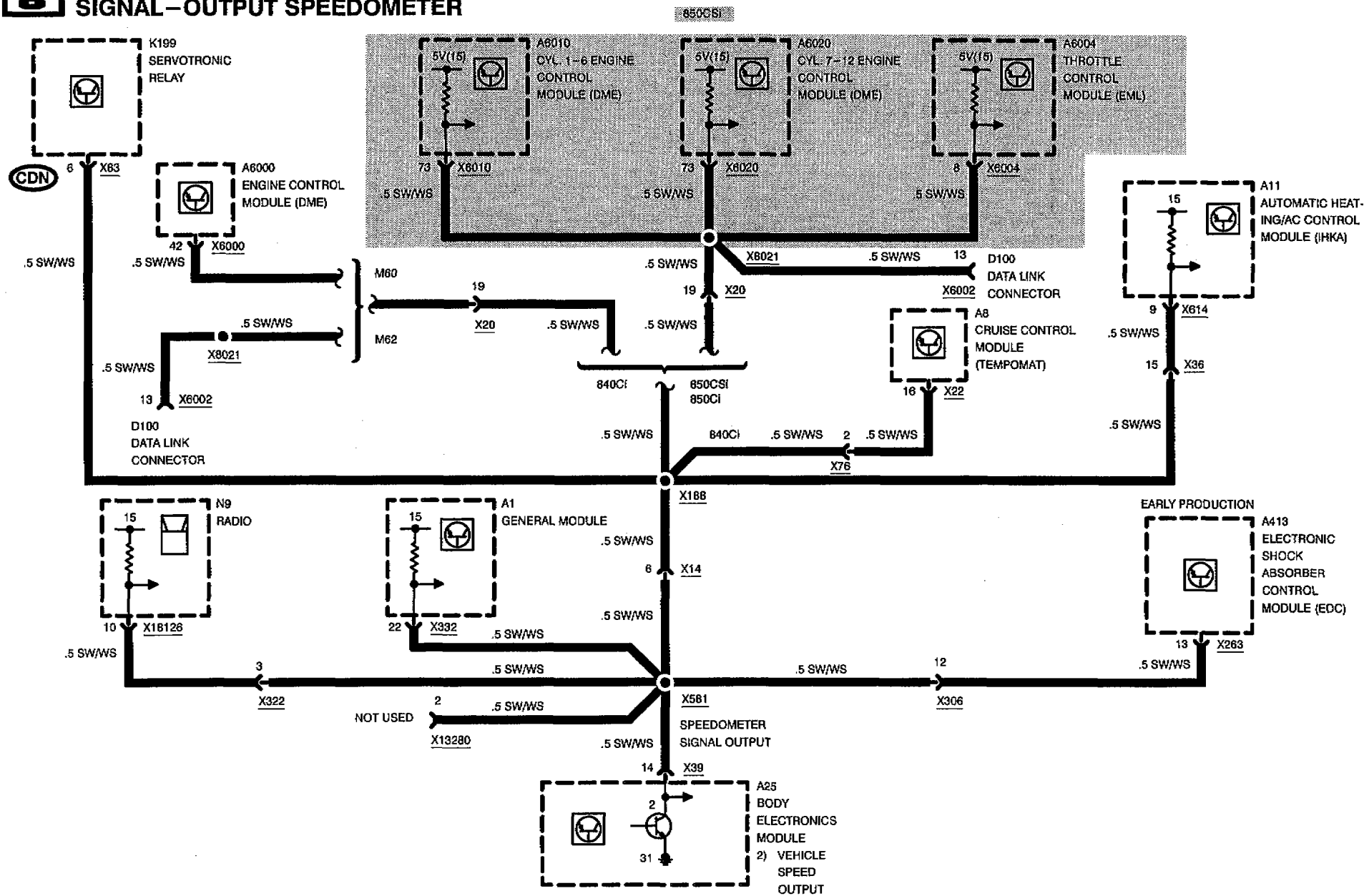
6210.0-01

95/96



BODY ELECTRONICS MODULE (EKM)

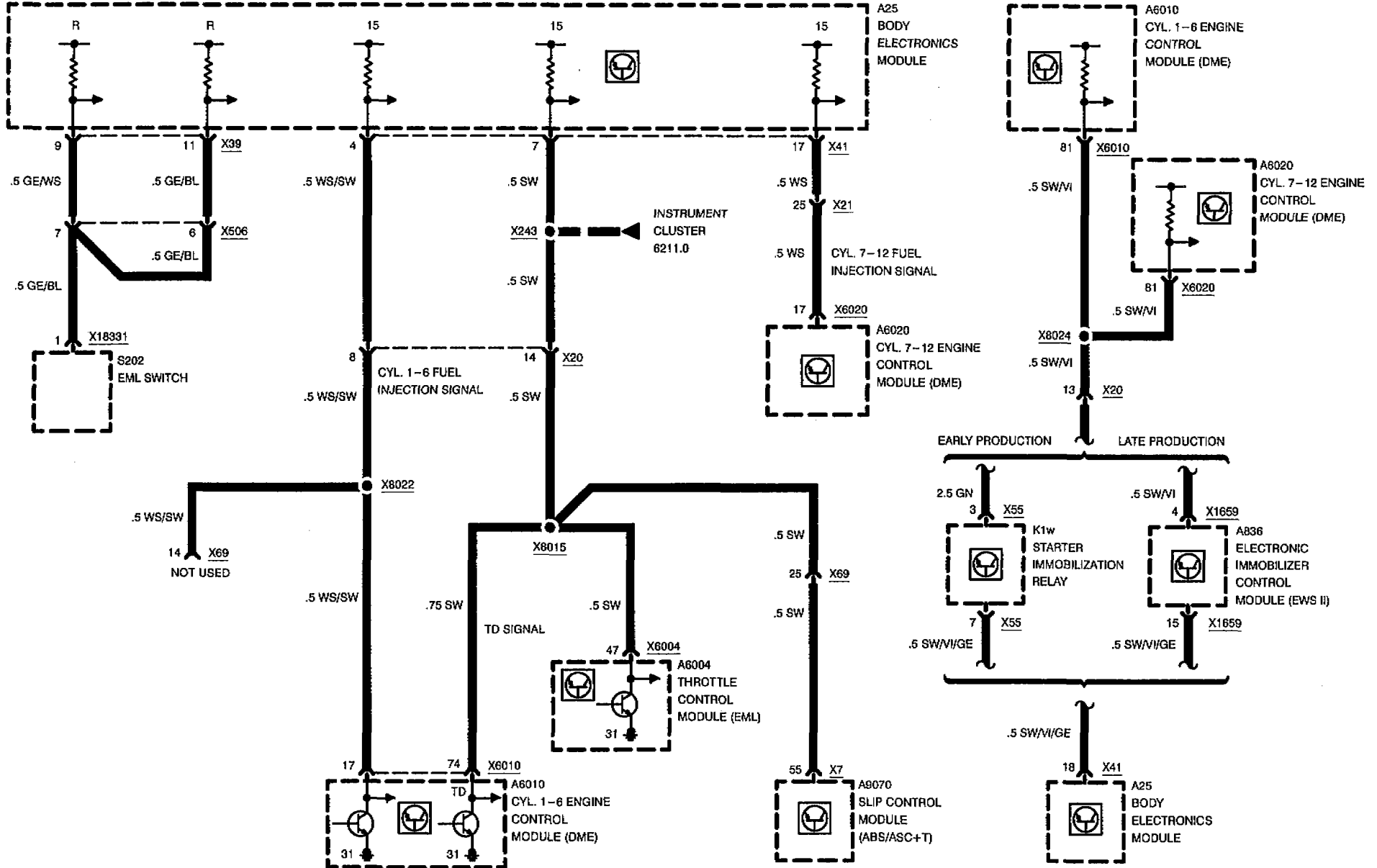
SIGNAL-OUTPUT SPEEDOMETER





BODY ELECTRONICS MODULE (EKM)

850CSI



02/97

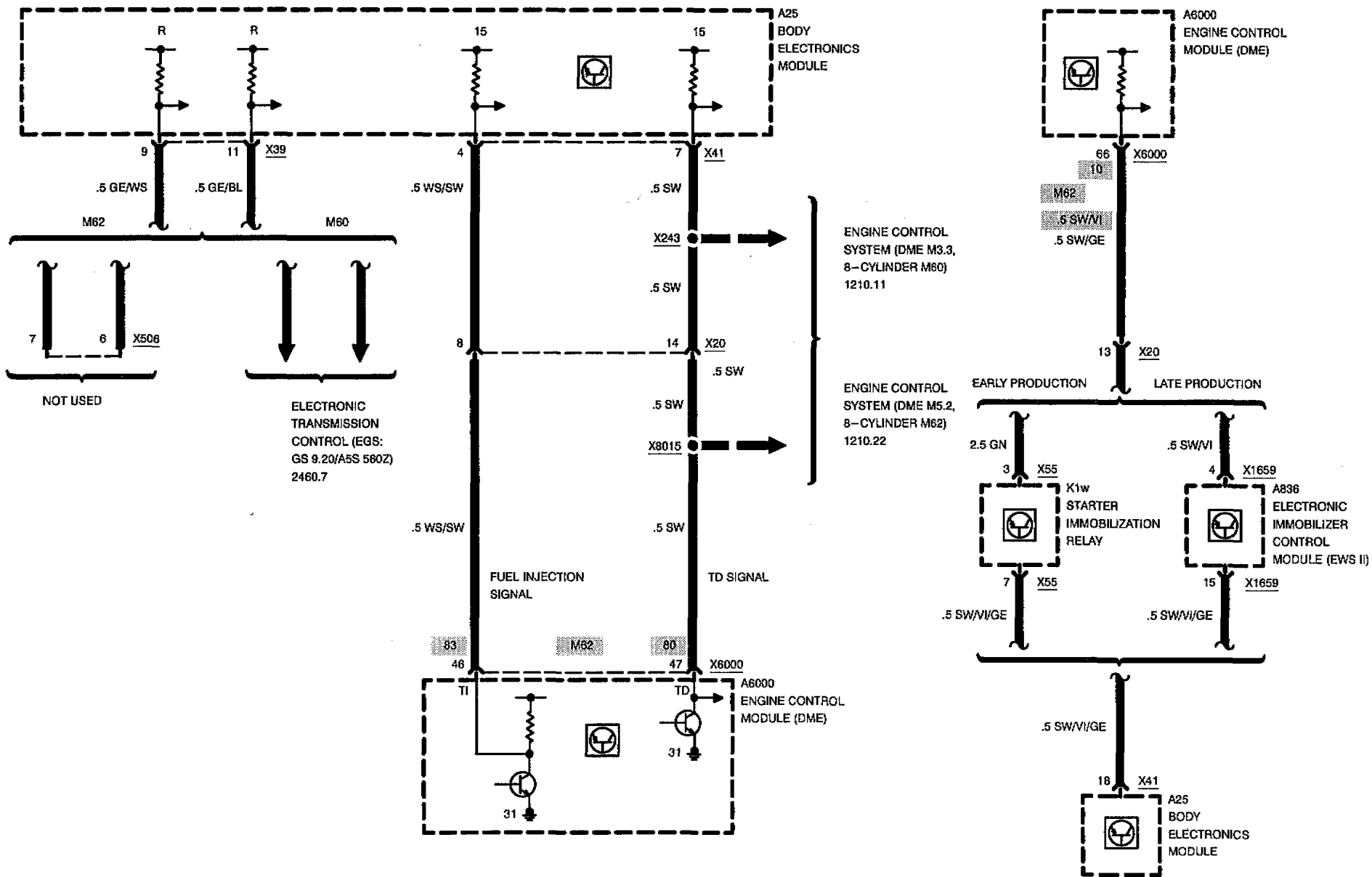
6210.0-03

95/96



BODY ELECTRONICS MODULE (EKM)

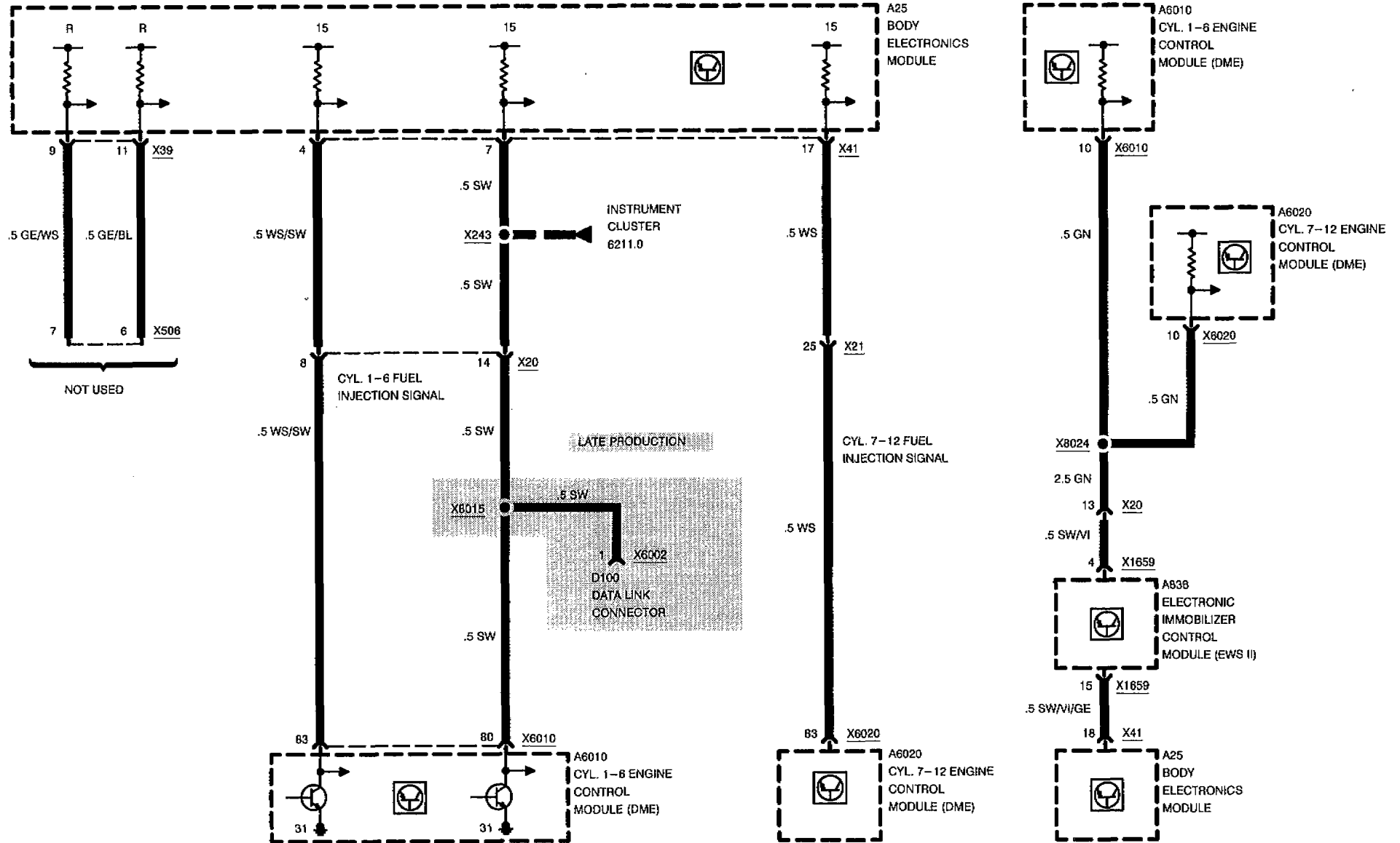
840Ci





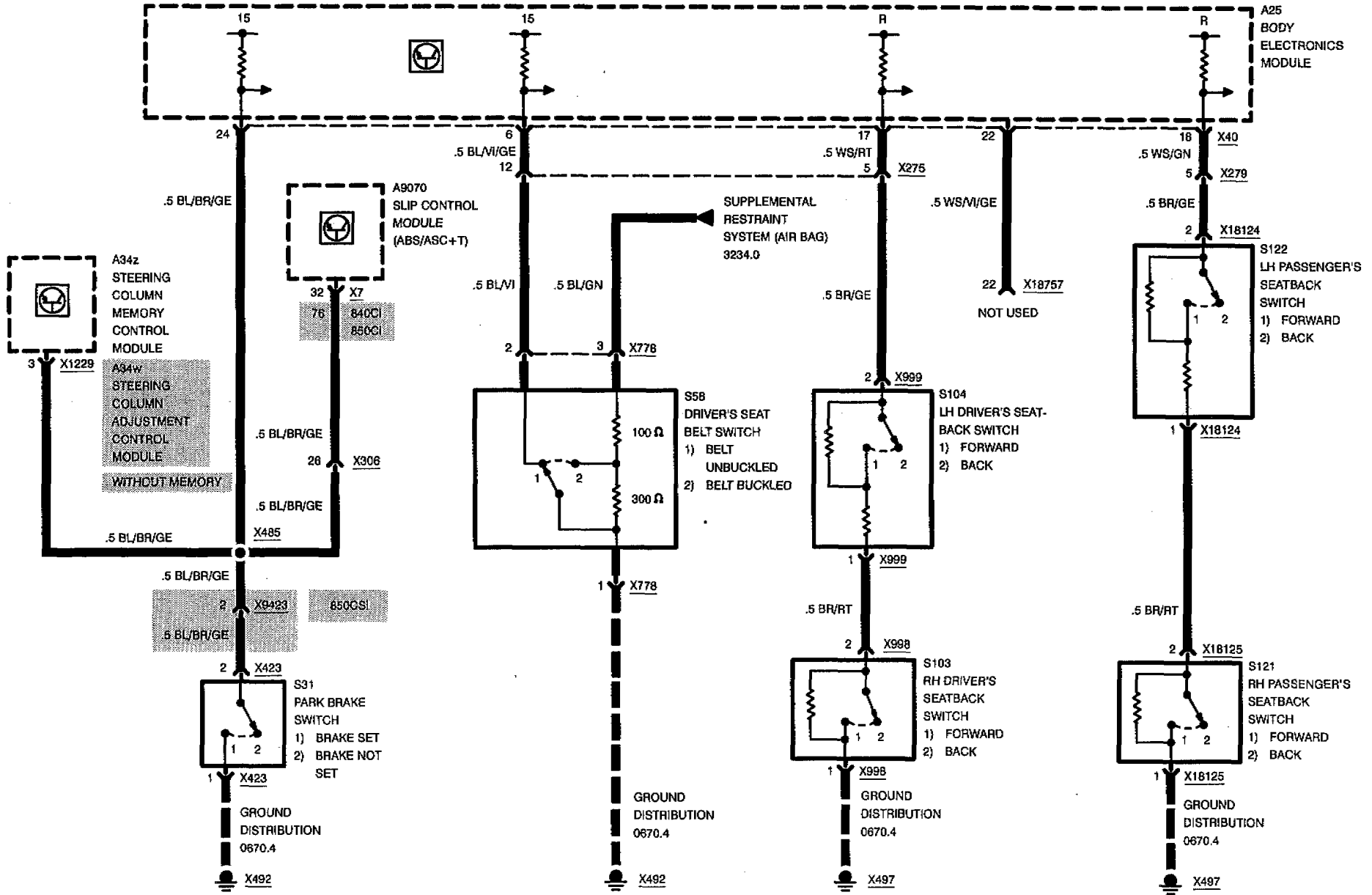
BODY ELECTRONICS MODULE (EKM)

850Ci



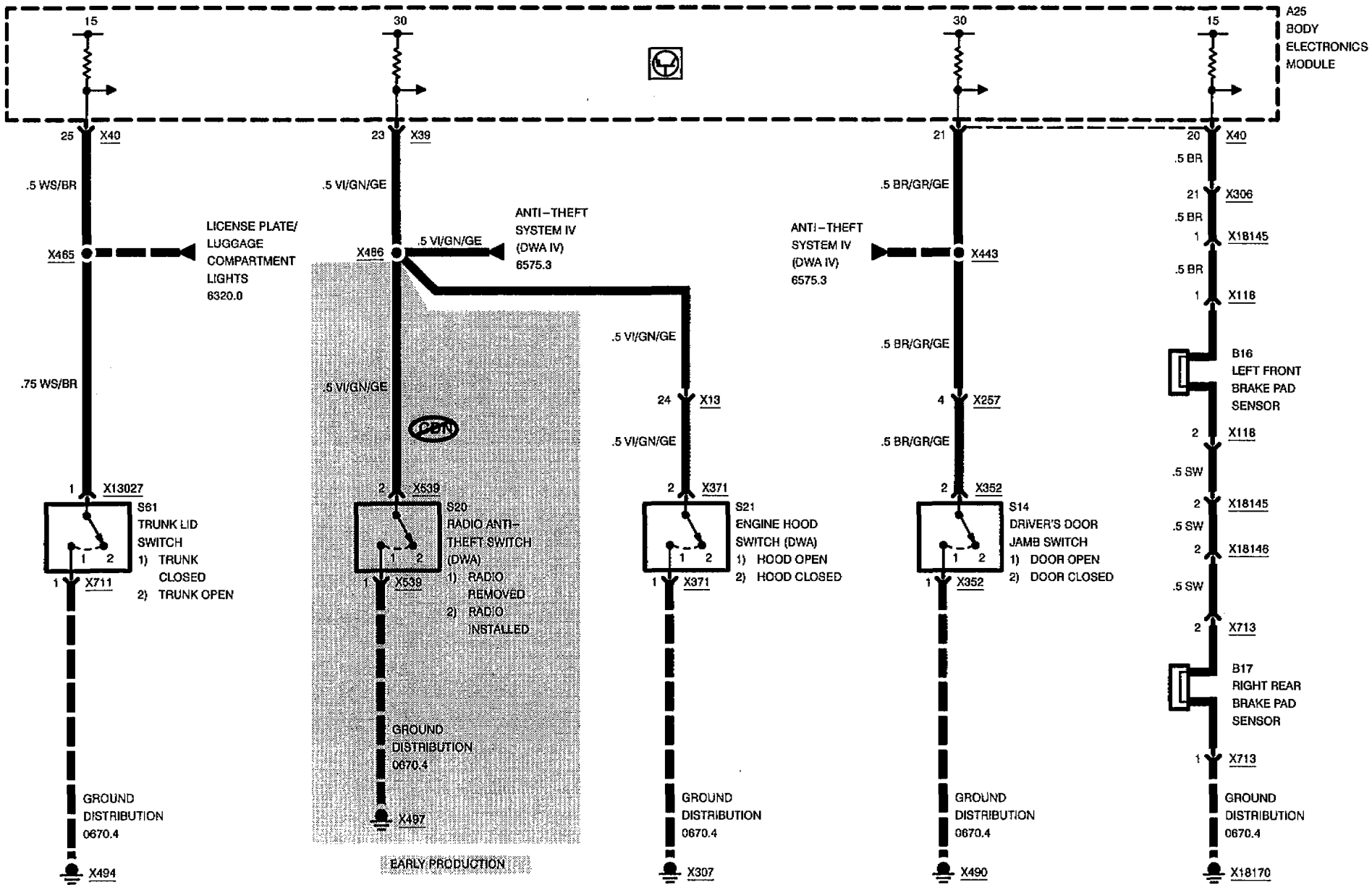


BODY ELECTRONICS MODULE (EKM)

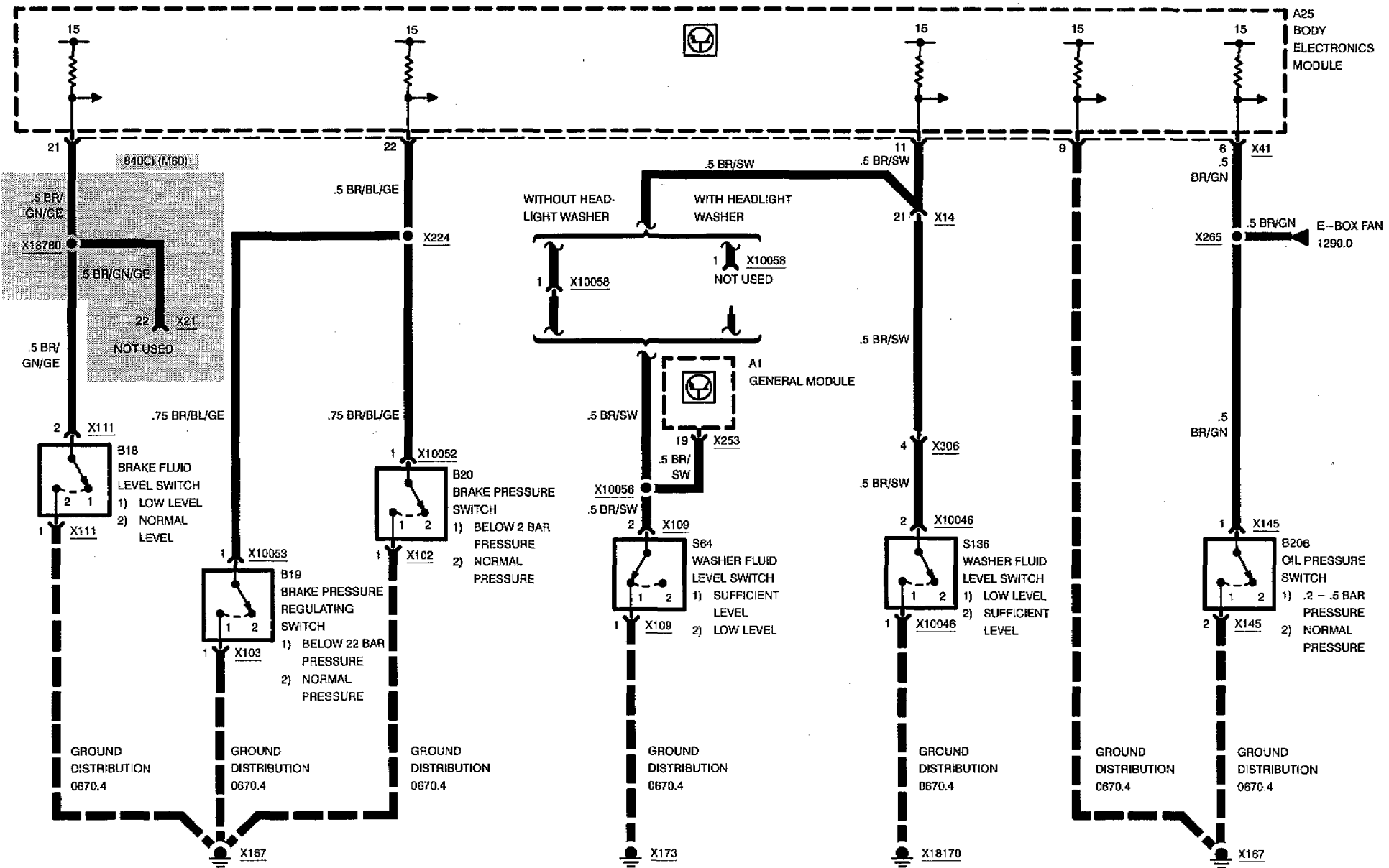




BODY ELECTRONICS MODULE (EKM)

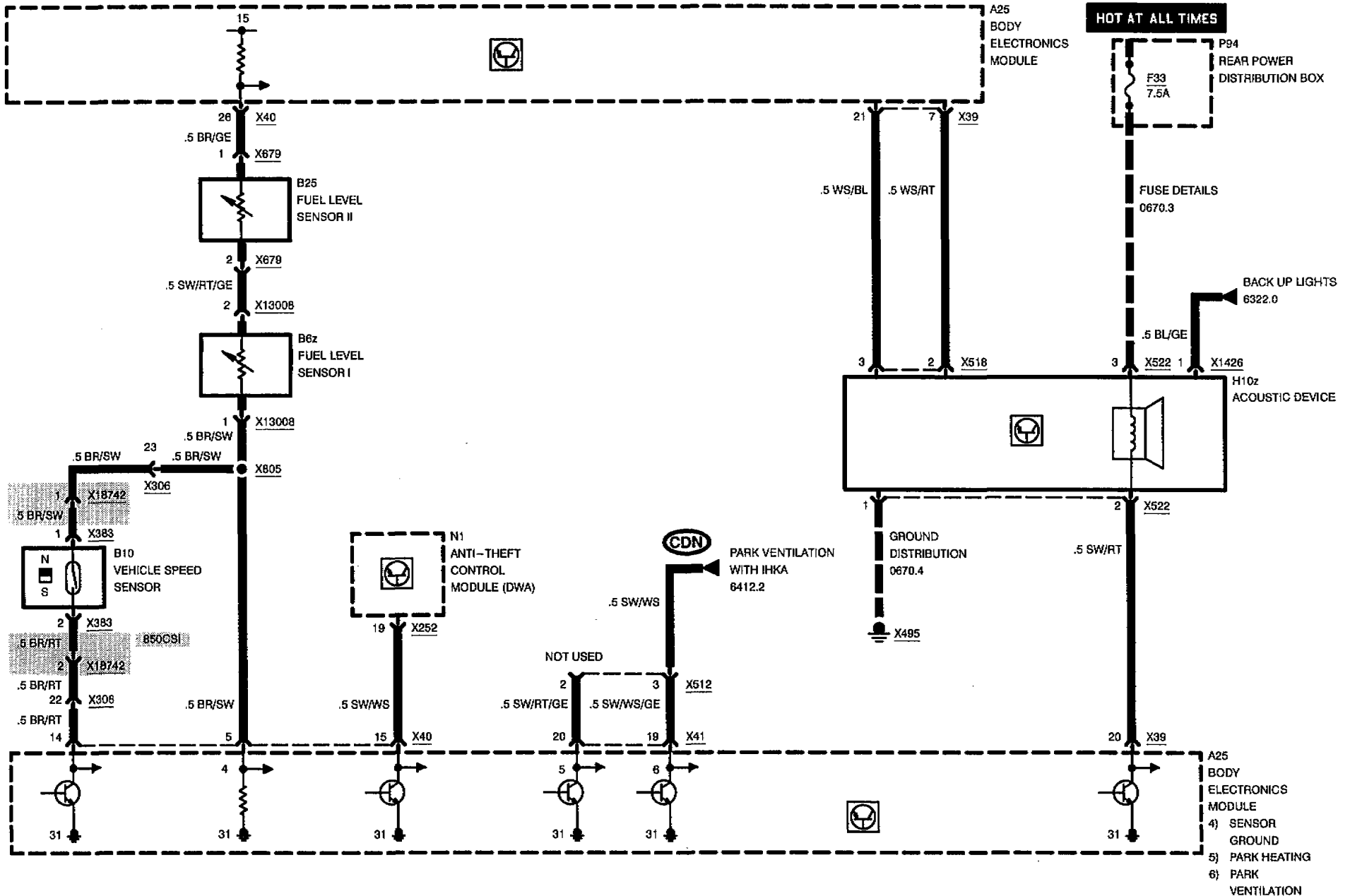


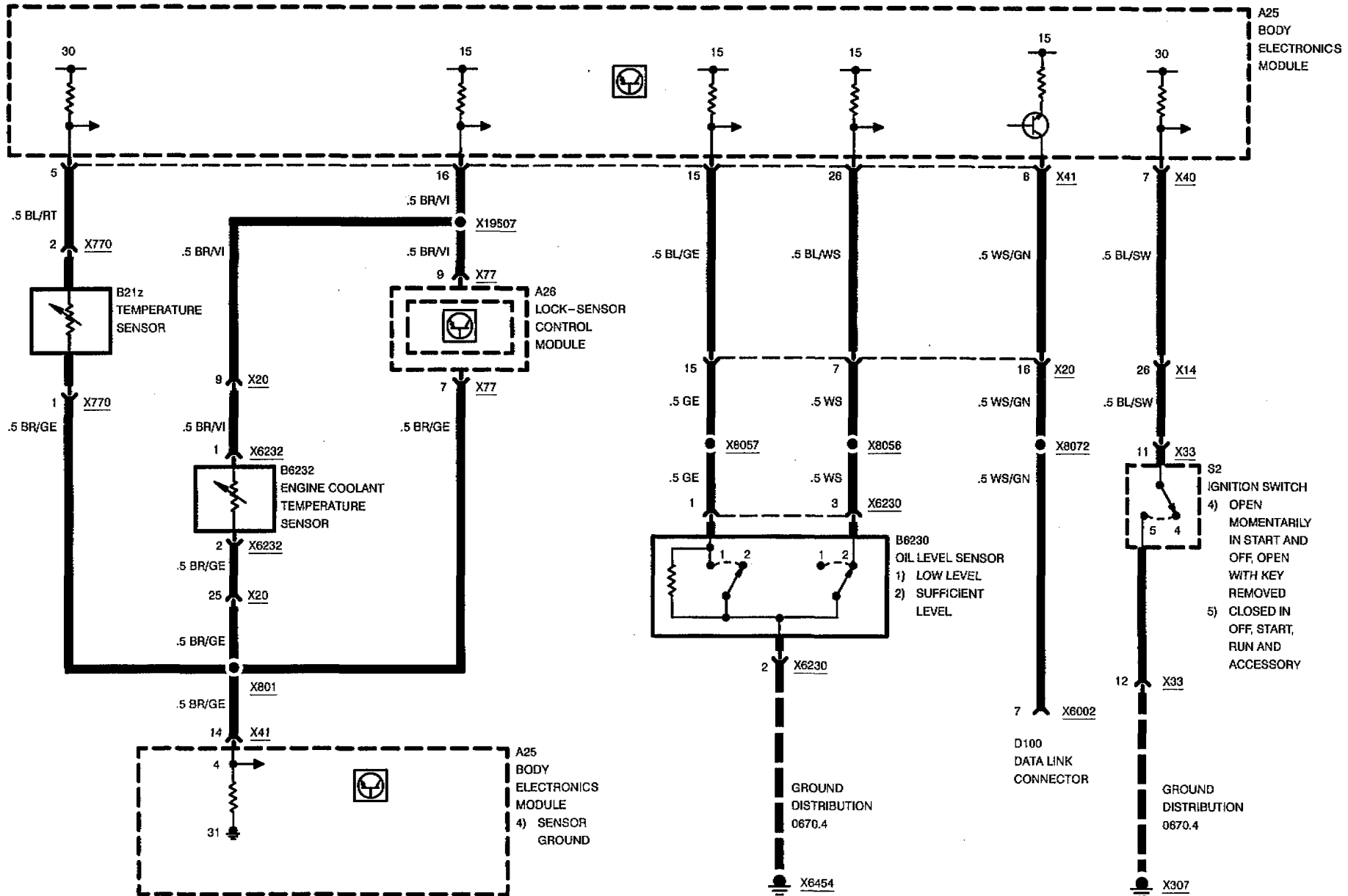
BODY ELECTRONICS MODULE (EKM)





BODY ELECTRONICS MODULE (EKM)

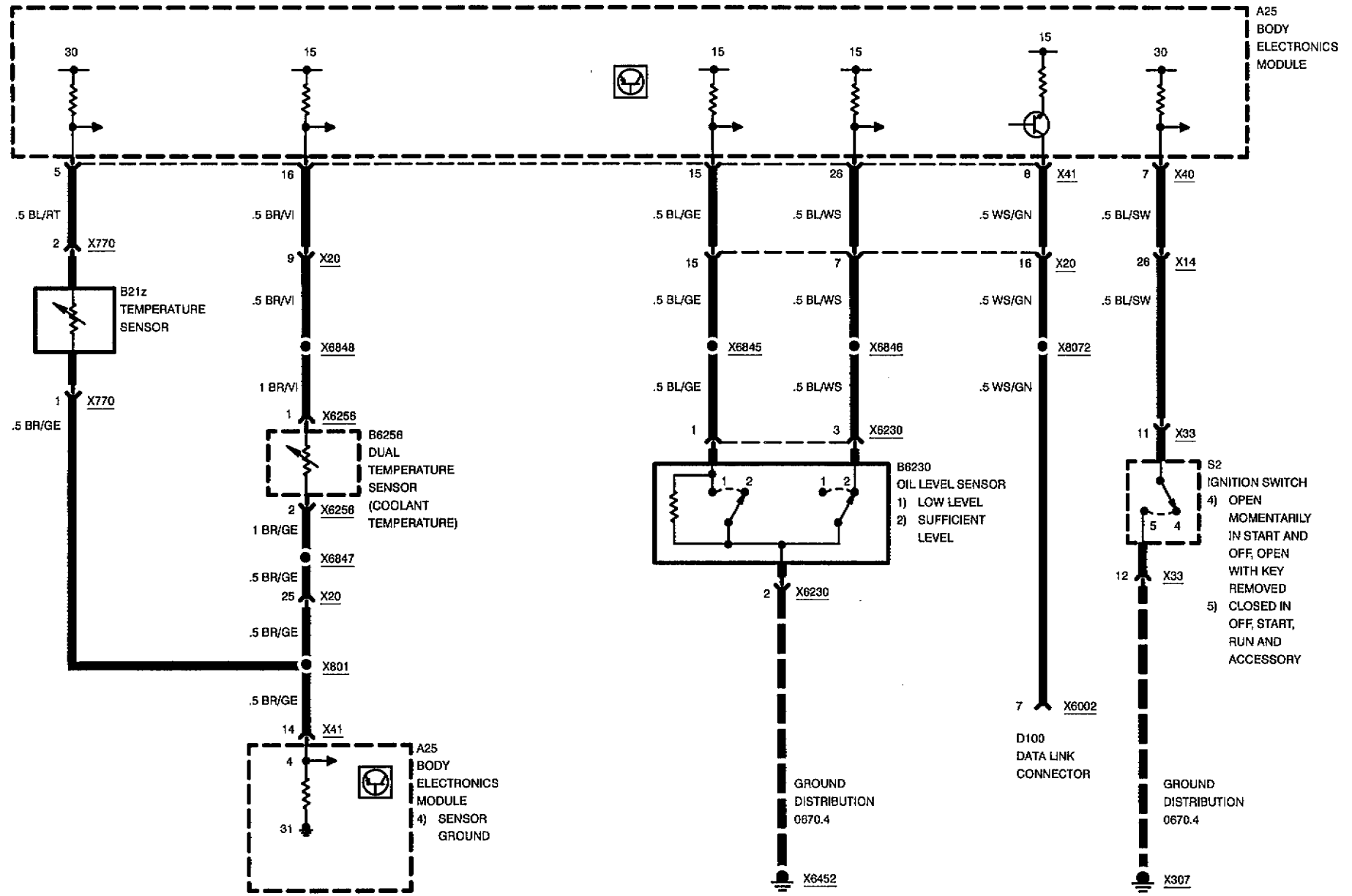






BODY ELECTRONICS MODULE (EKM)

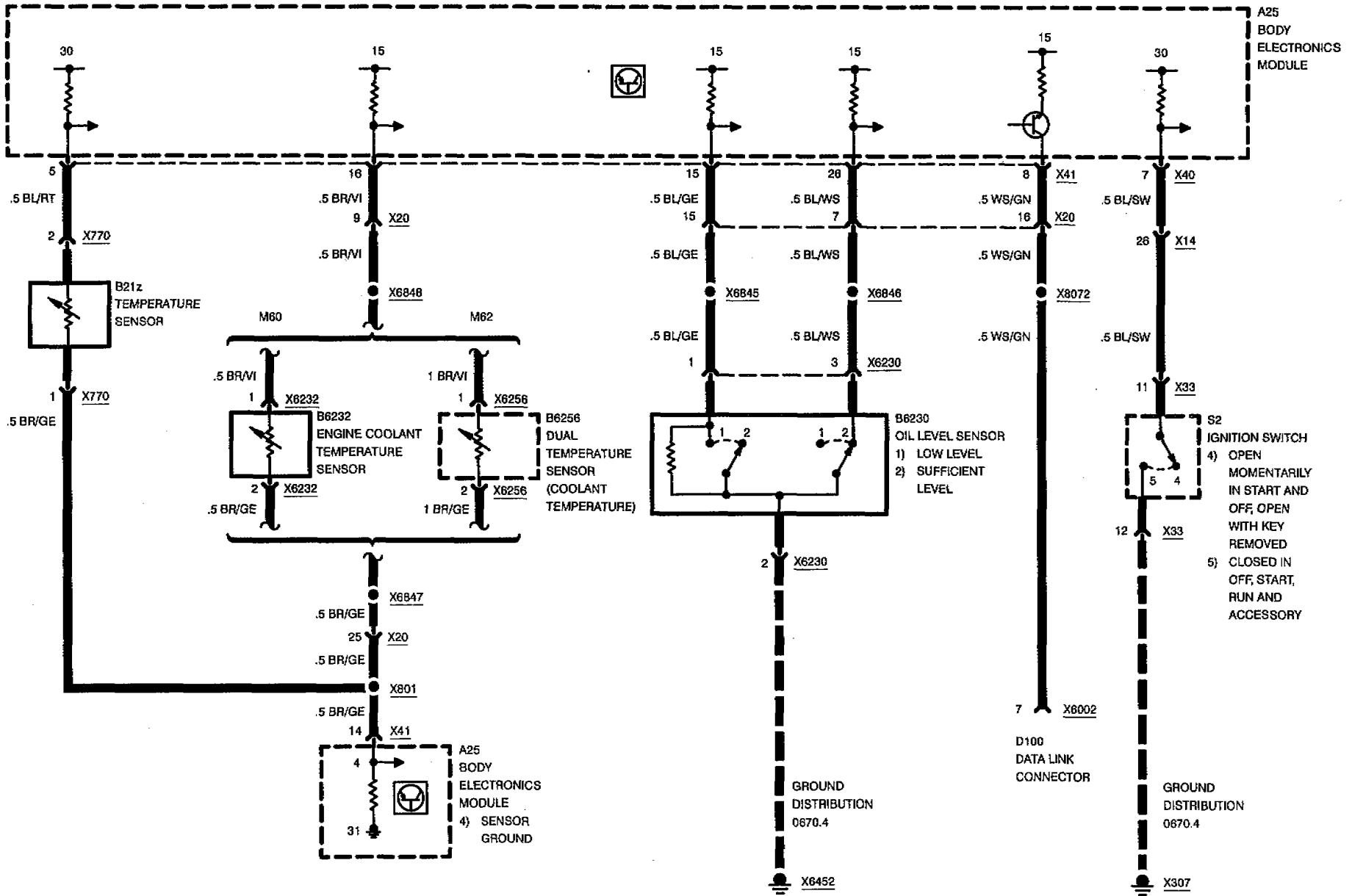
850Ci



02/97

6210.0-11

95/96



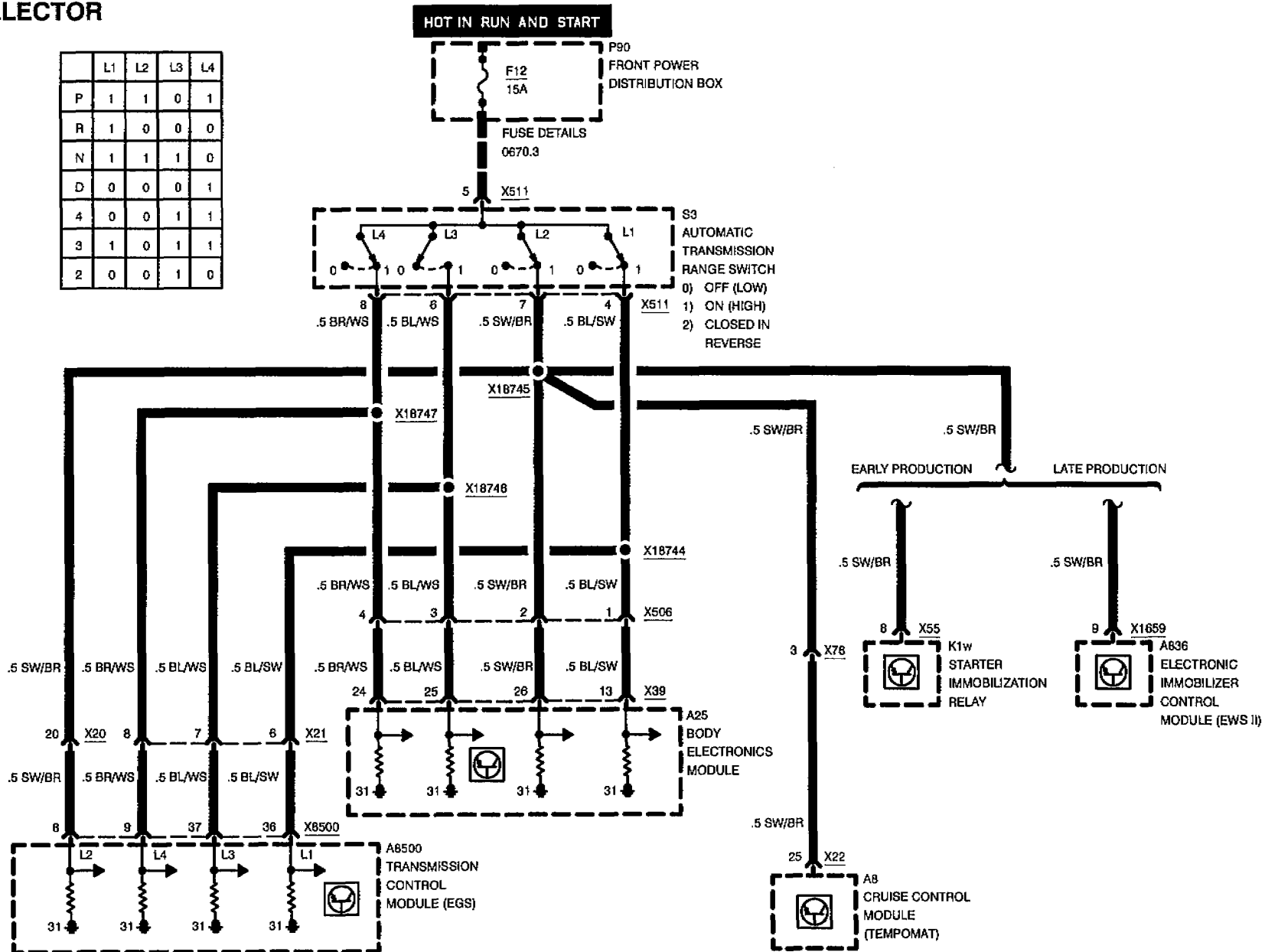


BODY ELECTRONICS MODULE (EKM)

840Ci (M60)

GEAR SELECTOR

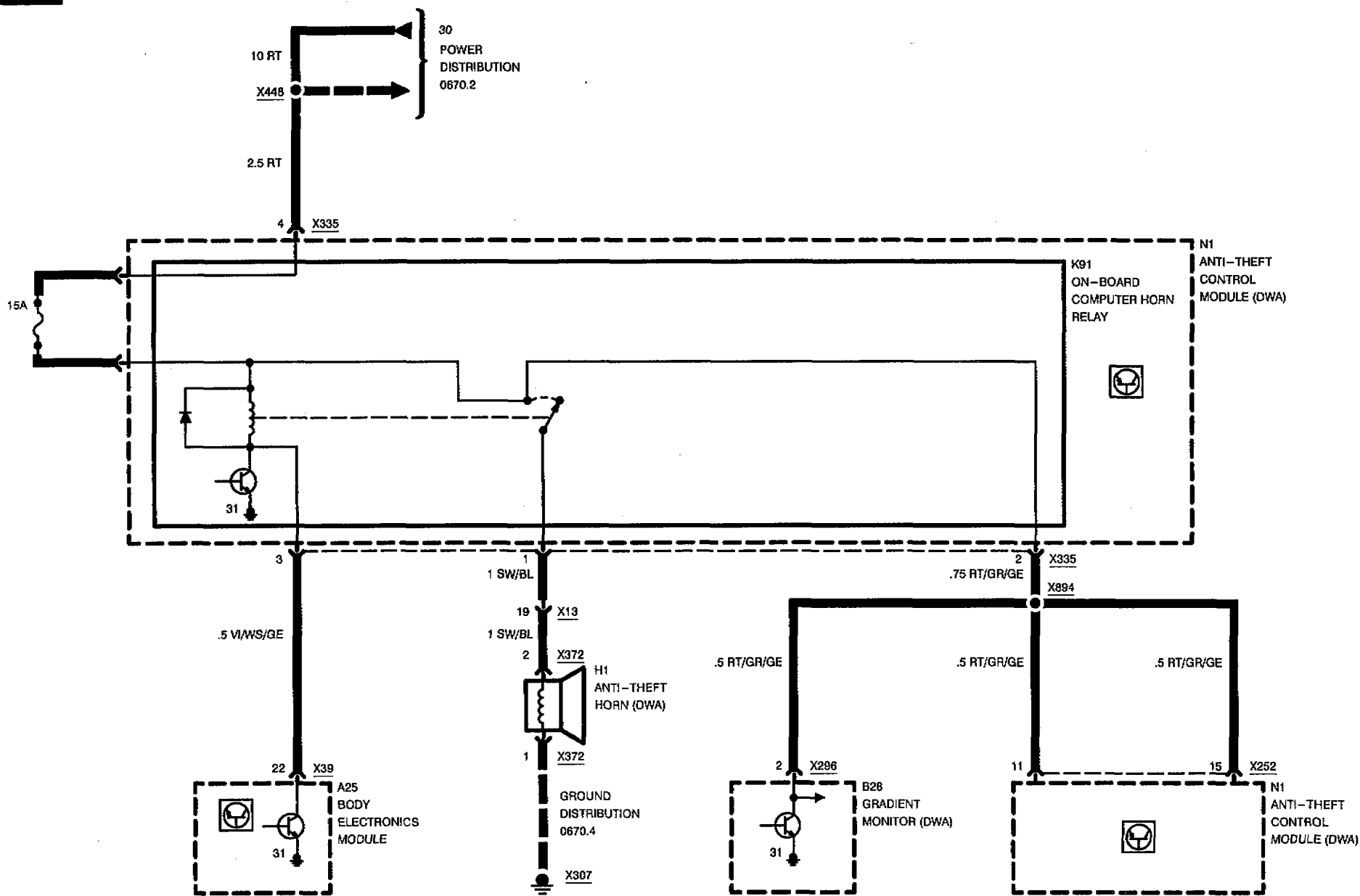
	L1	L2	L3	L4
P	1	1	0	1
R	1	0	0	0
N	1	1	1	0
D	0	0	0	1
4	0	0	1	1
3	1	0	1	1
2	0	0	1	0





BODY ELECTRONICS MODULE (EKM)

EARLY PRODUCTION



02/97

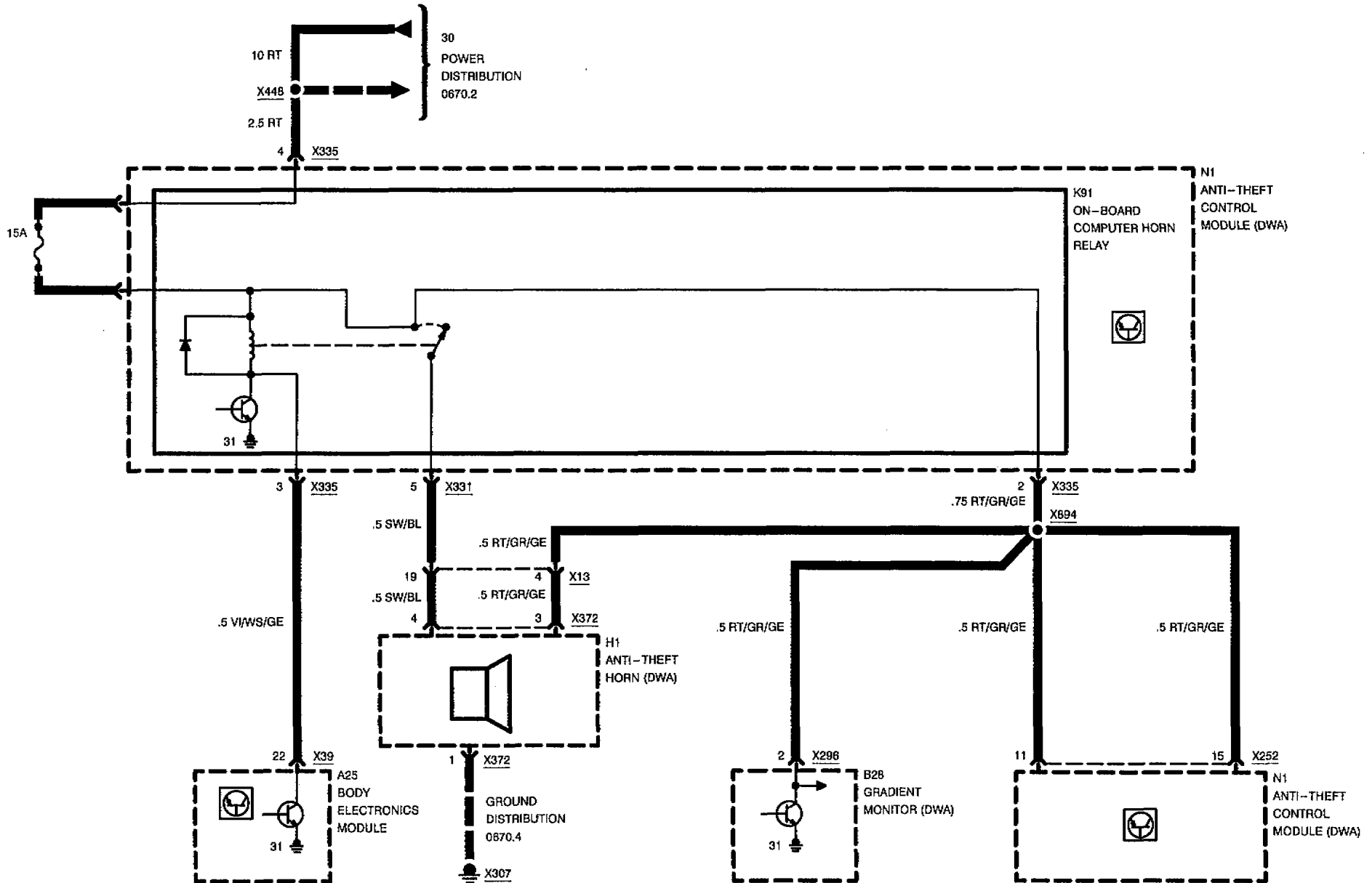
6210.0-14

95/96



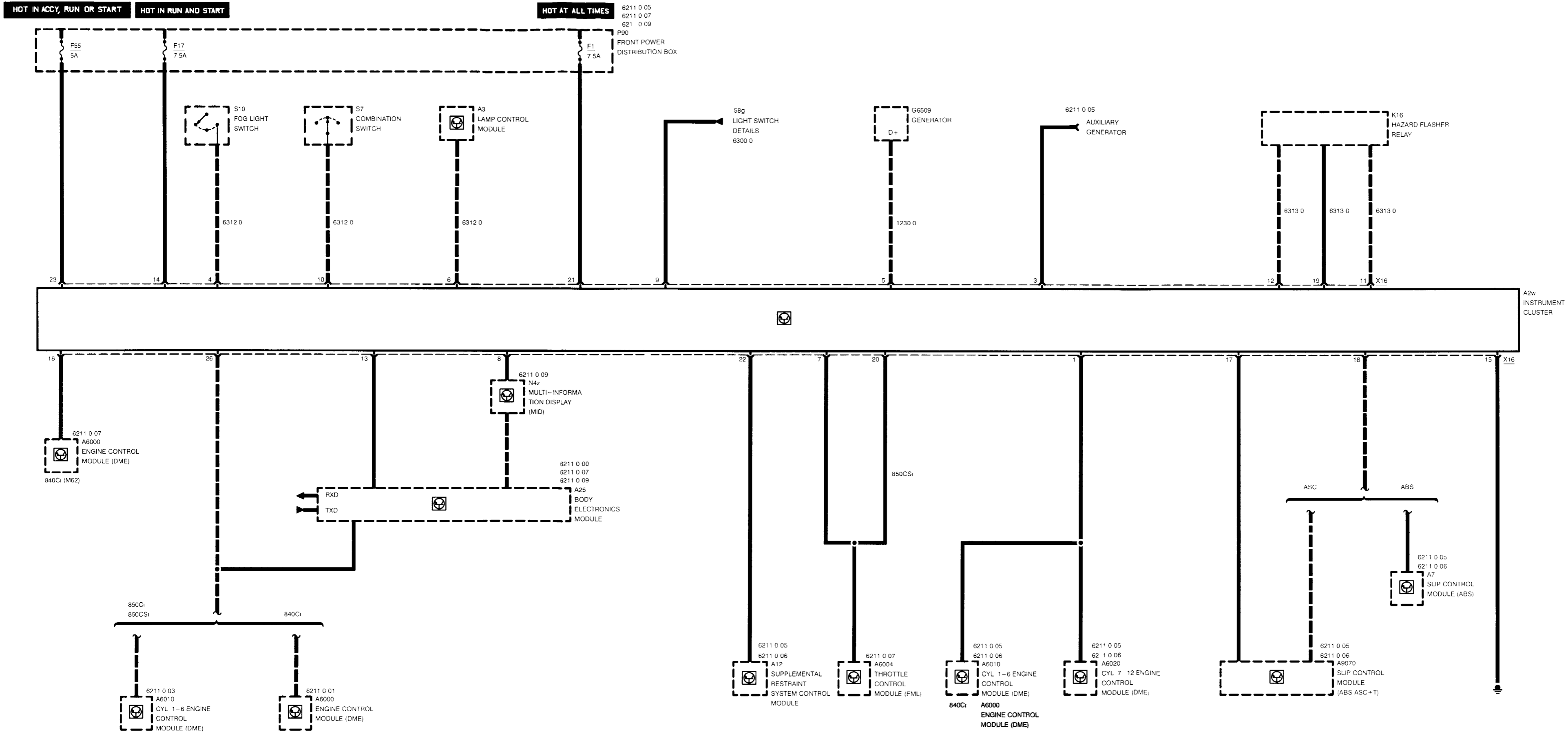
BODY ELECTRONICS MODULE (EKM)

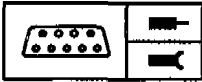
LATE PRODUCTION



BMW
8

6210.0-16





Pin Assignments

X16

Pin	Type	Description/Function	Connection
1	E	Check Engine indicator (US only)	Engine control modules (DME)
2		Not used	
3		Battery charge indicator lamp 2	Auxiliary generator
4	E	Rear fog light indicator lamp	Fog light switch
5		Battery charge indicator lamp 1	Generator
6	E	Fog light indicator light	Lamp control module
7	E	EML warning light	Electronic throttle control module (EML) (850Ci, 850CSi)
8	E	Display lighting electronically dimmed	Multi-information-display (MID)
9	E	Terminal 58g, switch and instrument lighting	Dimmer
10	E	High beam indicator	Combination switch
11	E	Right turn signal indicator	Hazard flasher relay
12	E	Left turn signal indicator	Hazard flasher relay
13	E/A	Serial interface - instrument cluster data link	Body electronics module (EKM)
14	E	Voltage (terminal 15)	Fuse 17
15	M	Ground	Ground point
16	A	Fuel reserve	Engine control module (DME) (840Ci-M62)
17	E	ASC + T indicator lamp	Slip control module (ABS/ASC + T)
18	E	ABS indicator lamp	Slip control module (ABS, ABS/ASC + T)
19	E	Trailer turn signal indicator	Hazard flasher relay
20	E	EML warning lamp	Electronic throttle control module (EML) (850CSi)
21	E	Voltage (terminal 30)	Fuse 1
22	E	Airbag warning lamp	Supplemental restraint system control module
23	E	Voltage (terminal R)	Fuse 55
24		Not used	
25		Not used	
26	E	Engine speed (rpm) signal (tD)	Engine control module (DME)

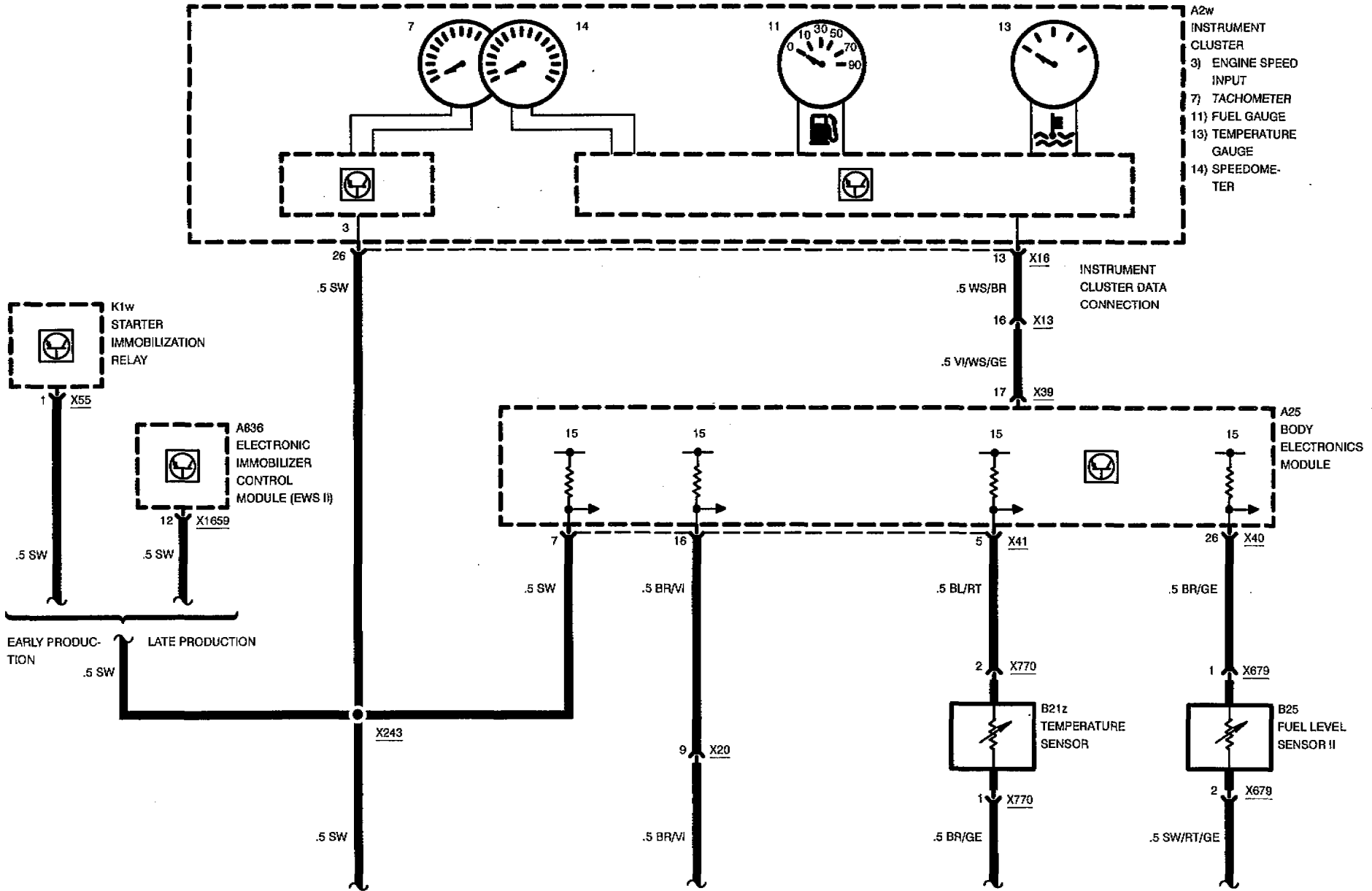
E = Input, A = Output, M = Ground



INSTRUMENT CLUSTER

INDICATORS

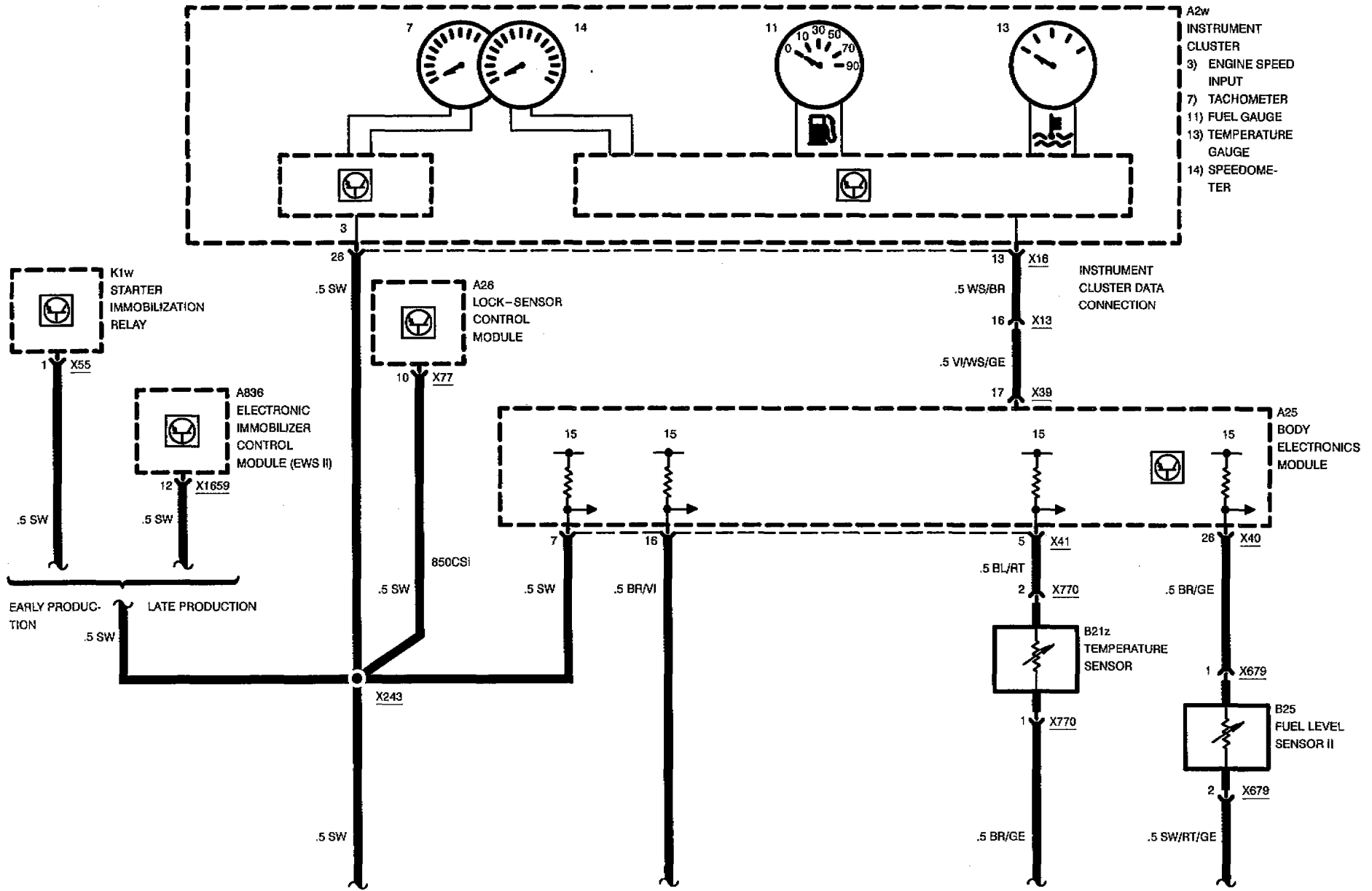
840CI





INSTRUMENT CLUSTER INDICATORS

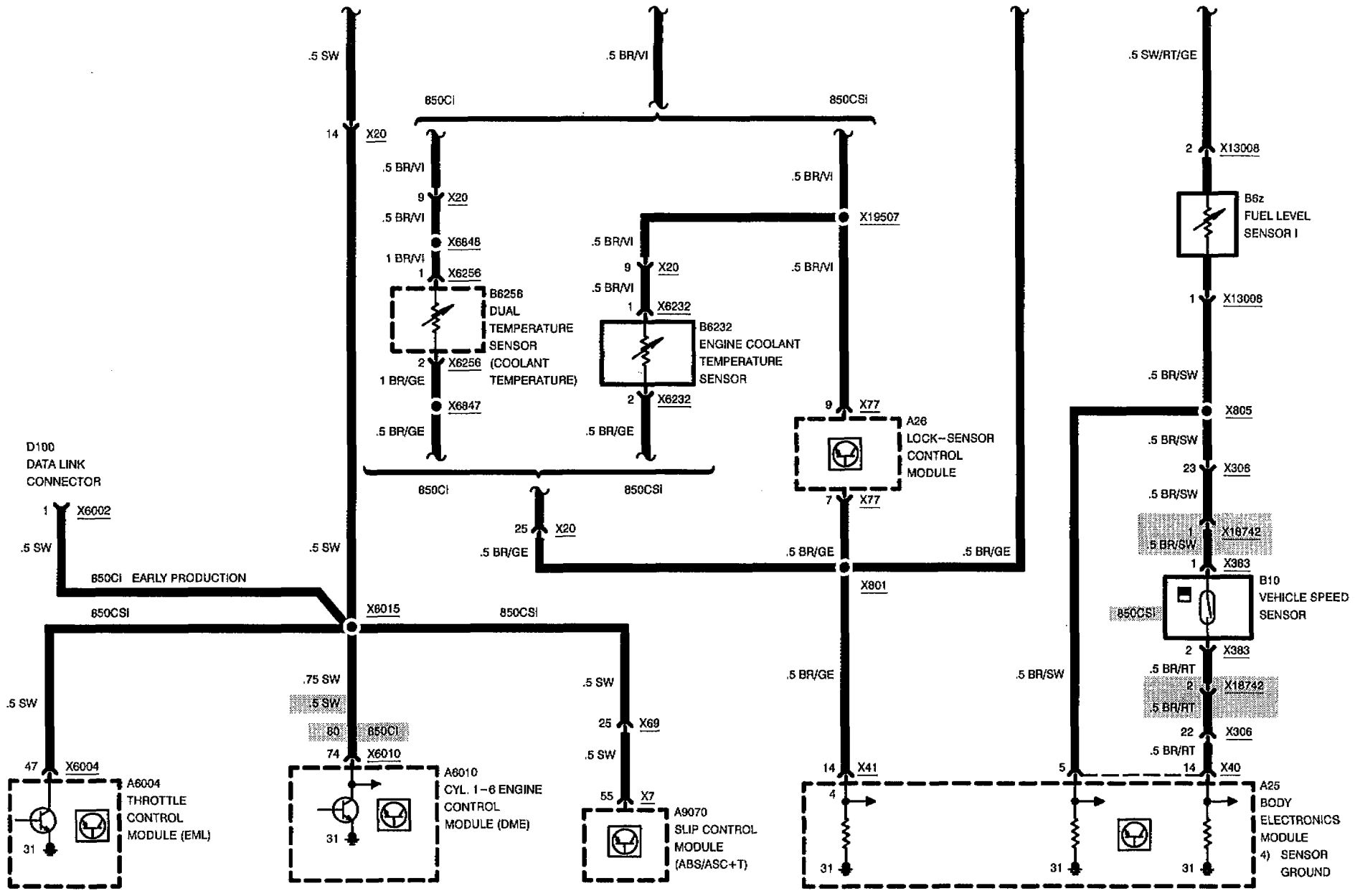
850Ci, 850CSi



- A2W
INSTRUMENT CLUSTER
- 3) ENGINE SPEED INPUT
 - 7) TACHOMETER
 - 11) FUEL GAUGE
 - 13) TEMPERATURE GAUGE
 - 14) SPEEDOMETER

INSTRUMENT CLUSTER DATA CONNECTION

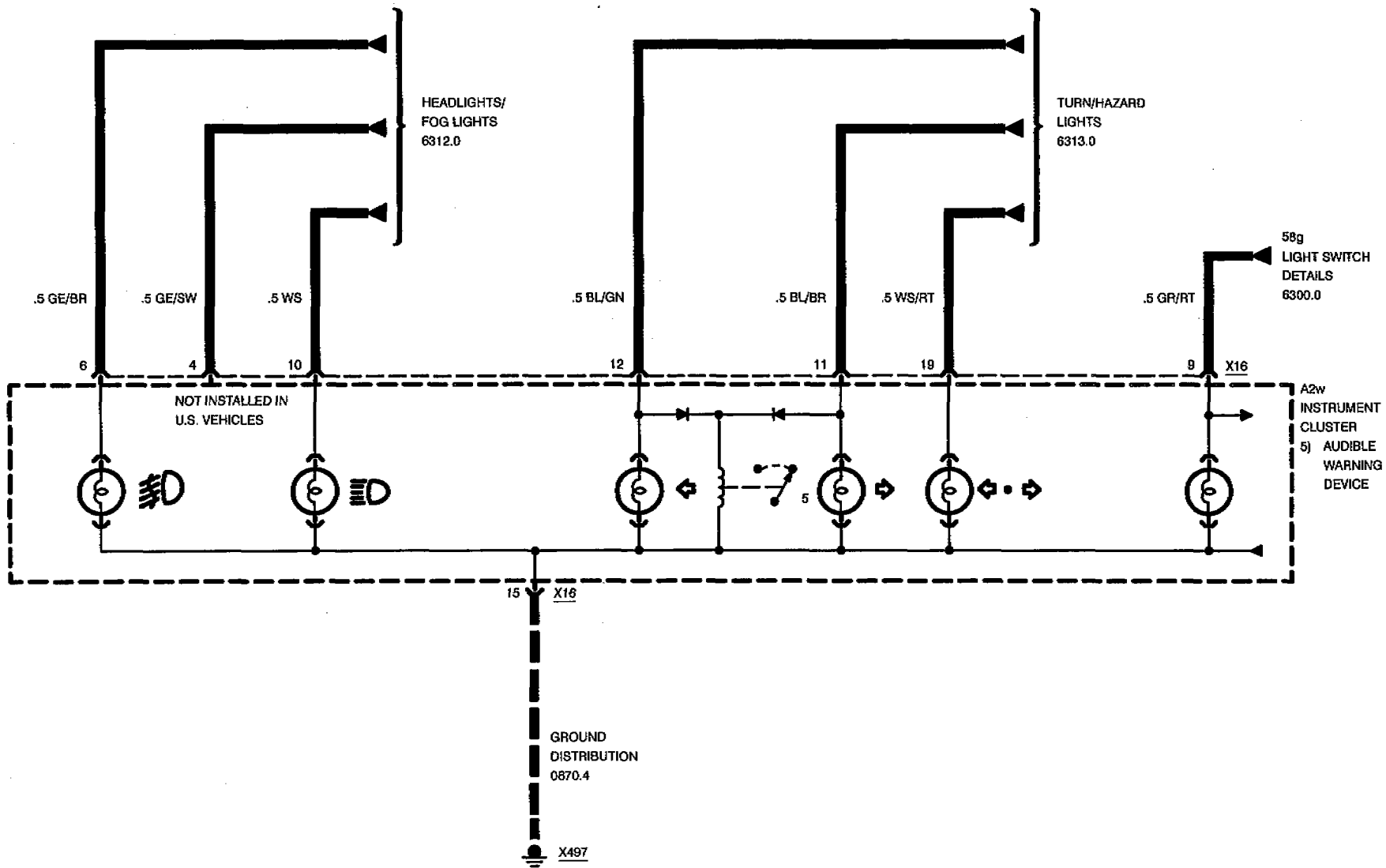
A25
BODY ELECTRONICS MODULE





INSTRUMENT CLUSTER

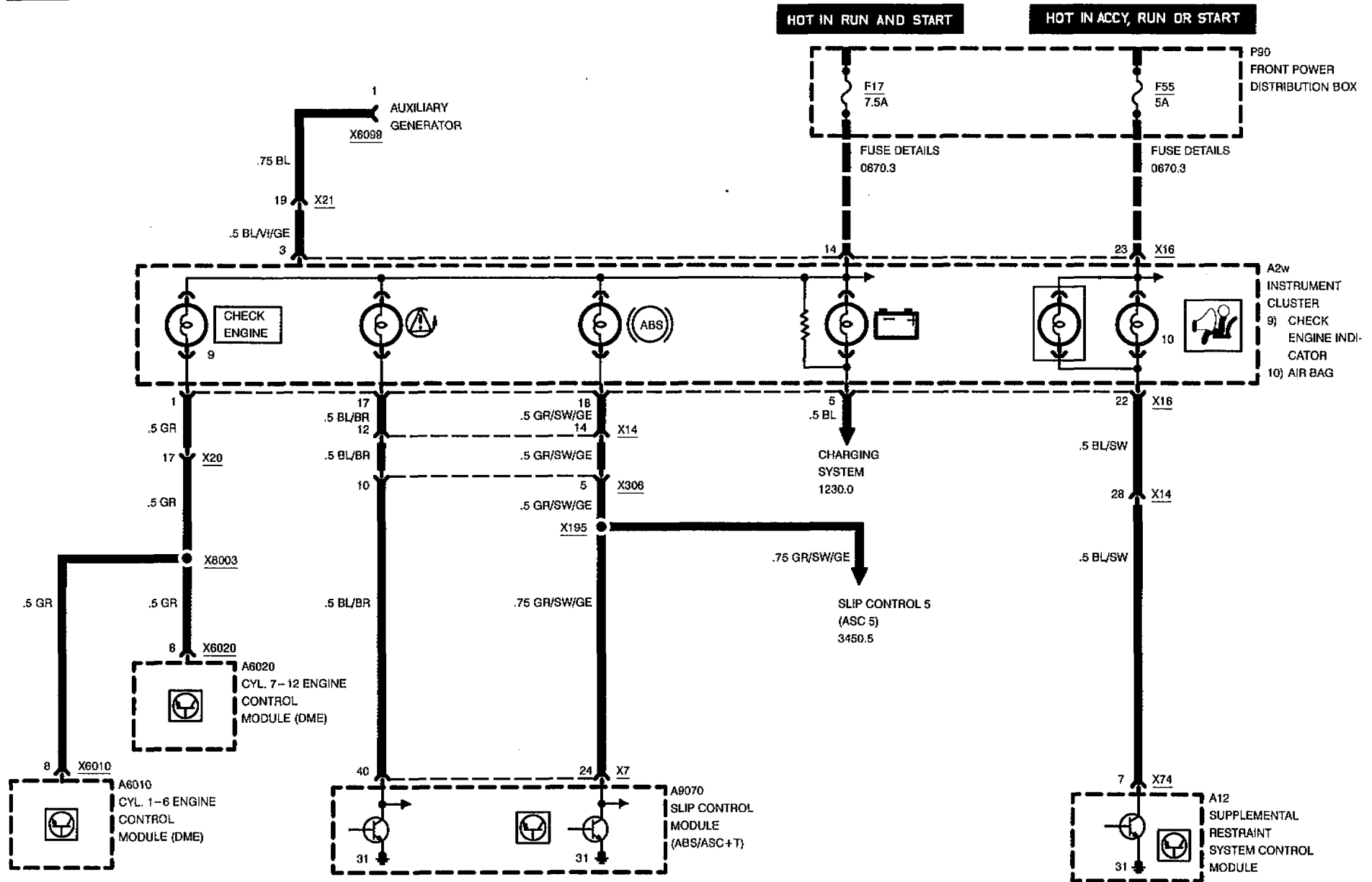
INDICATORS





INSTRUMENT CLUSTER INDICATORS

850CSi



02/97

6211.0-05

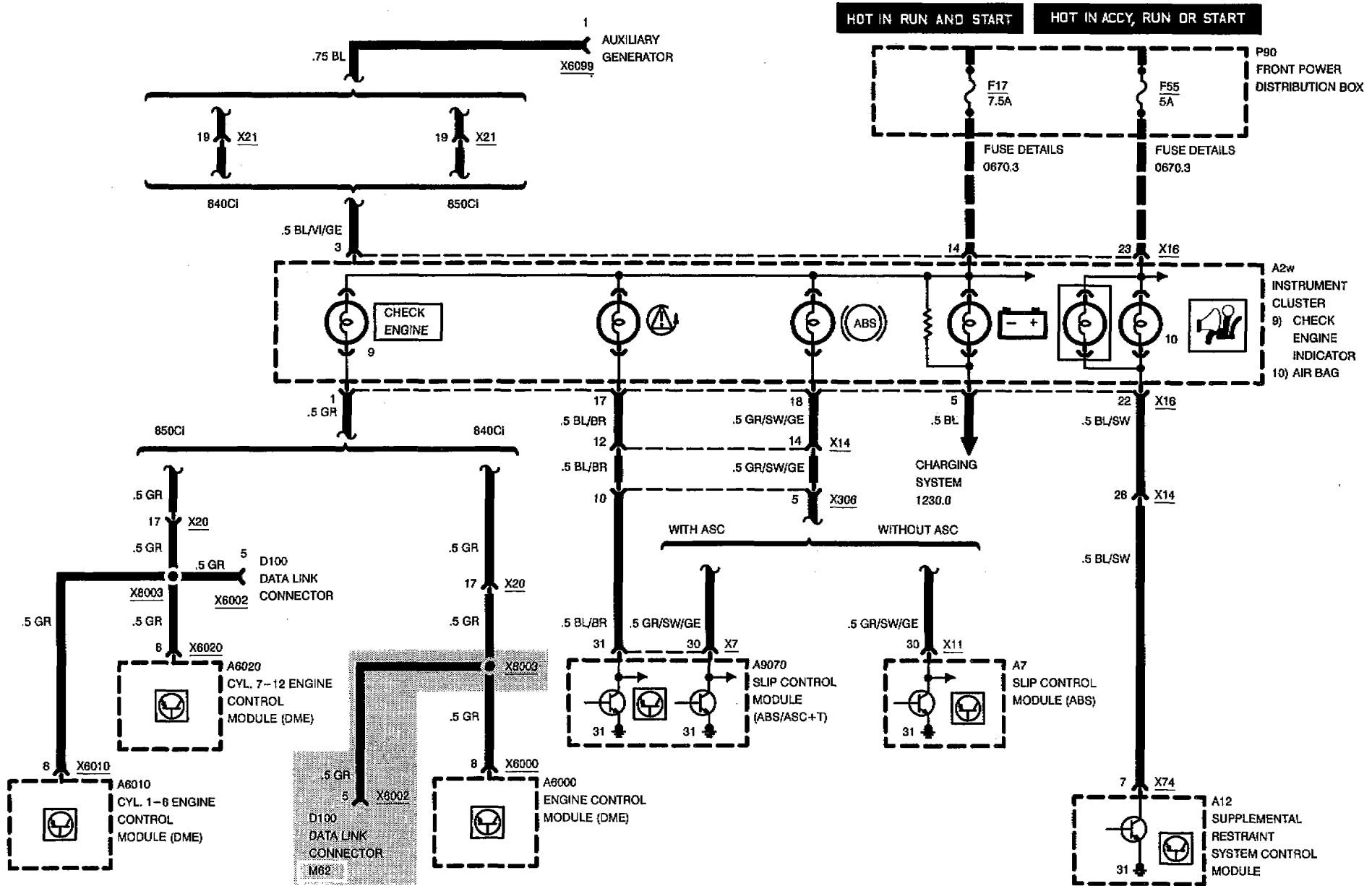
95/96



INSTRUMENT CLUSTER

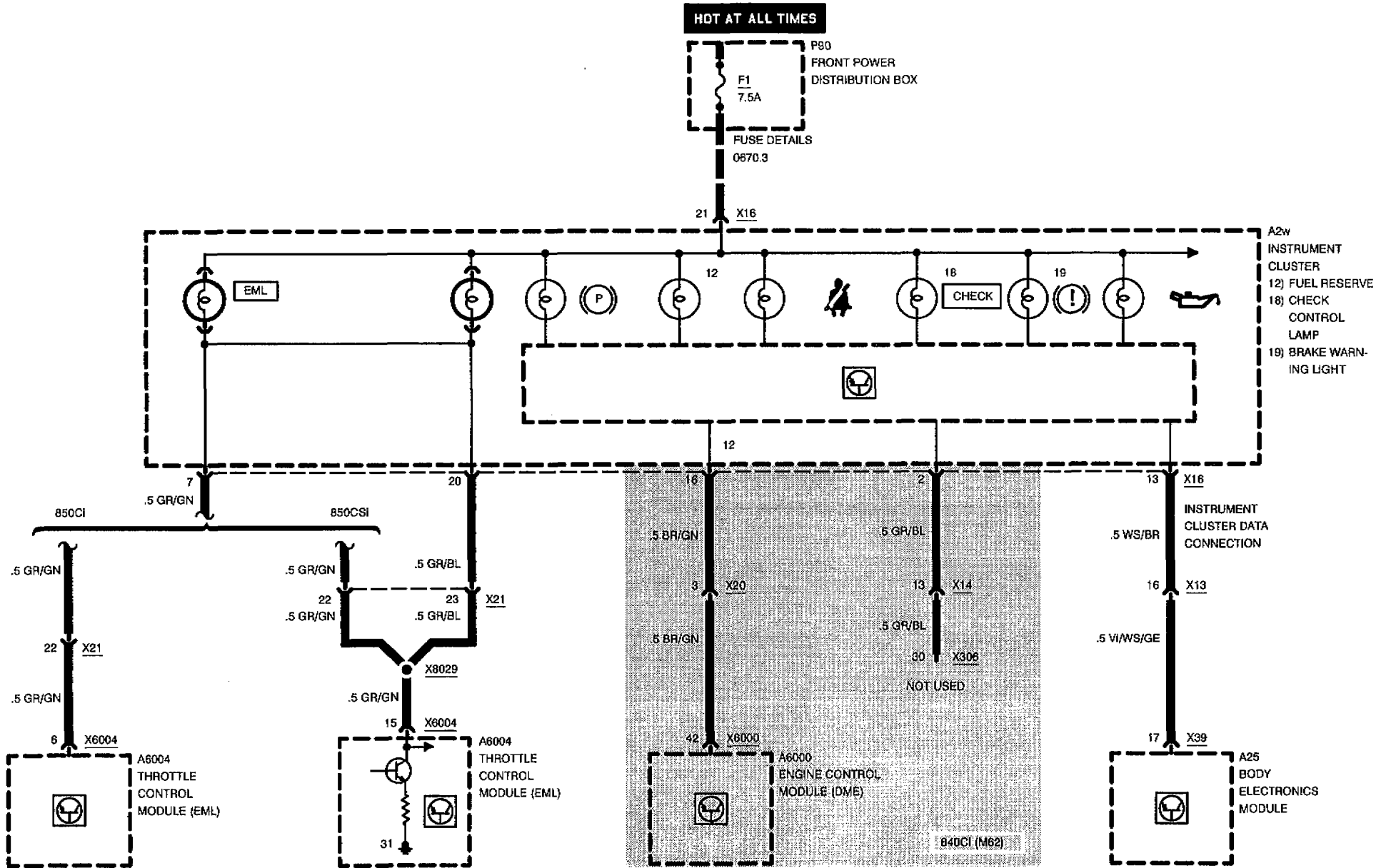
INDICATORS

840Ci, 850Ci





INSTRUMENT CLUSTER INDICATORS



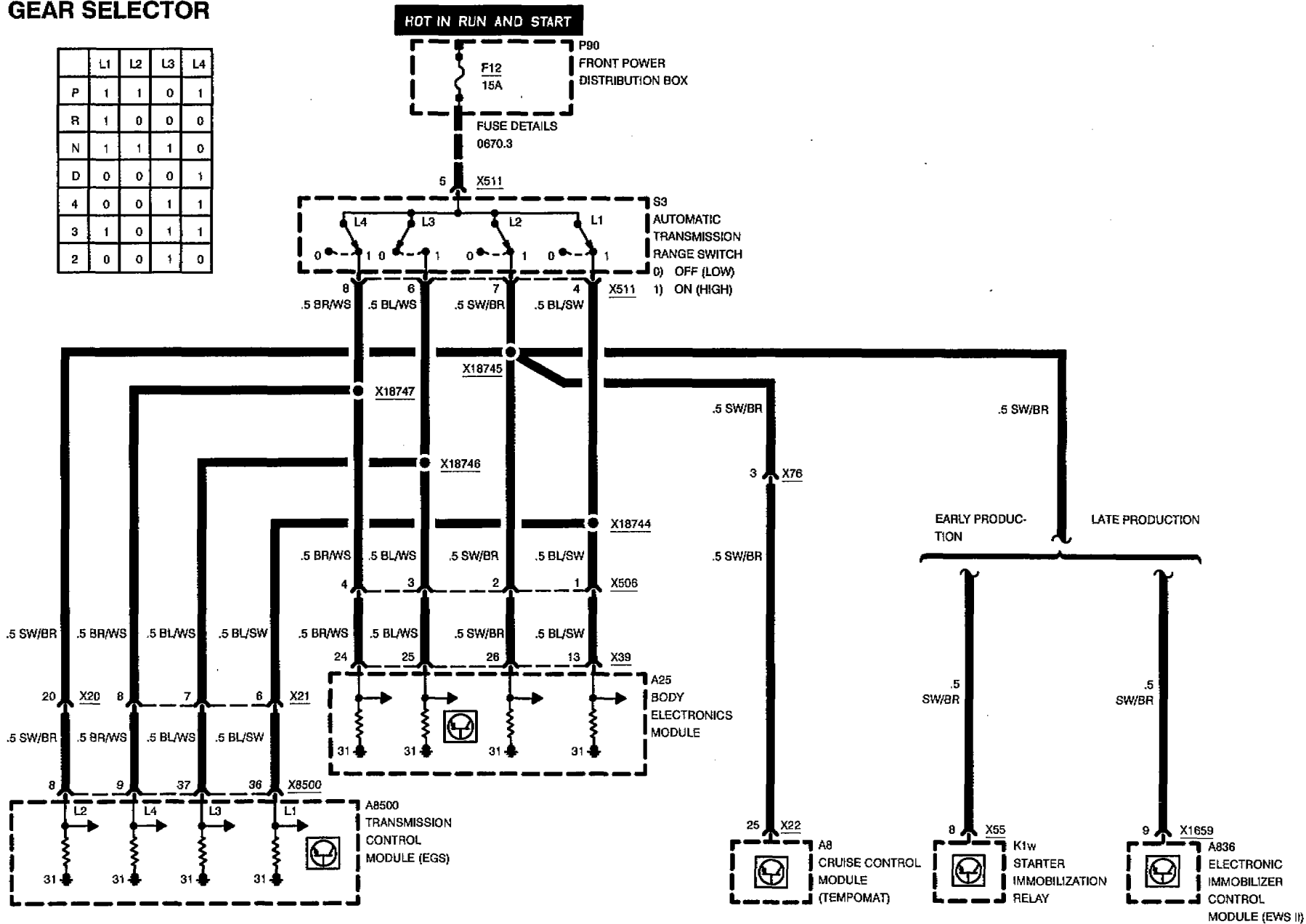


INSTRUMENT CLUSTER

840Ci (M60)

GEAR SELECTOR

	L1	L2	L3	L4
P	1	1	0	1
R	1	0	0	0
N	1	1	1	0
D	0	0	0	1
4	0	0	1	1
3	1	0	1	1
2	0	0	1	0





INSTRUMENT CLUSTER

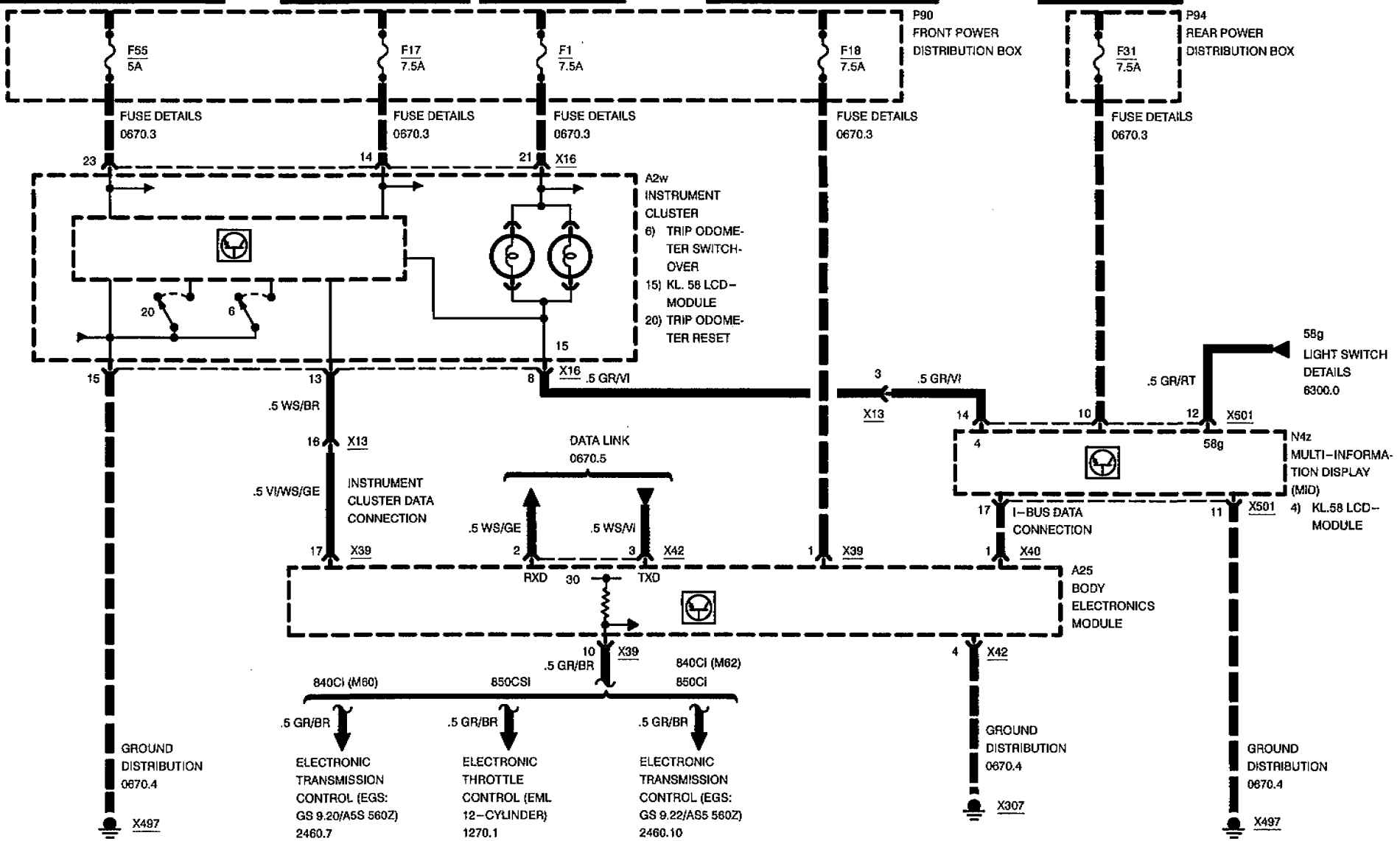
HOT IN ACCY, RUN OR START

HOT IN RUN AND START

HOT AT ALL TIMES

HOT IN ACCY, RUN OR START

HOT AT ALL TIMES

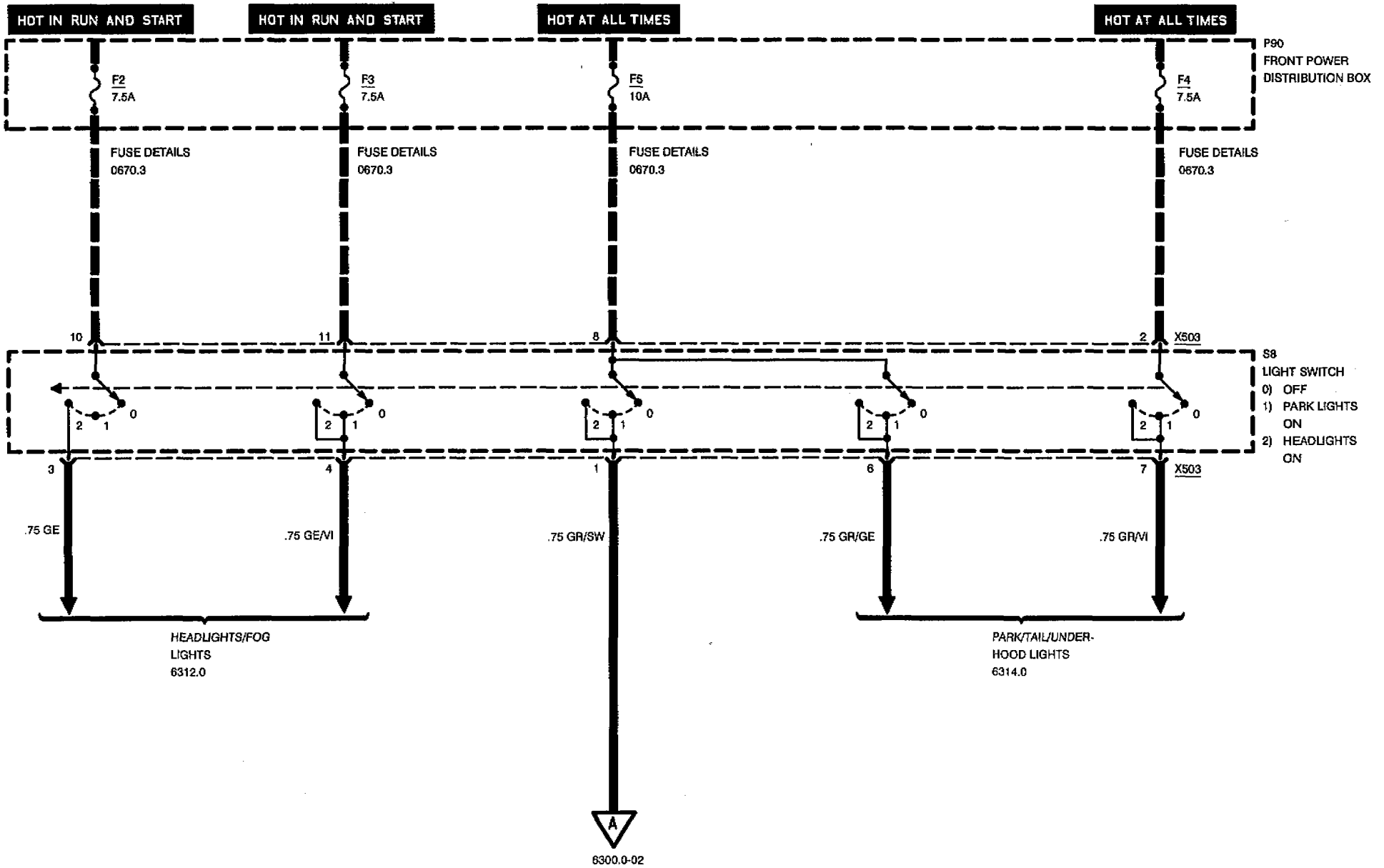


BMW
8

6300.0

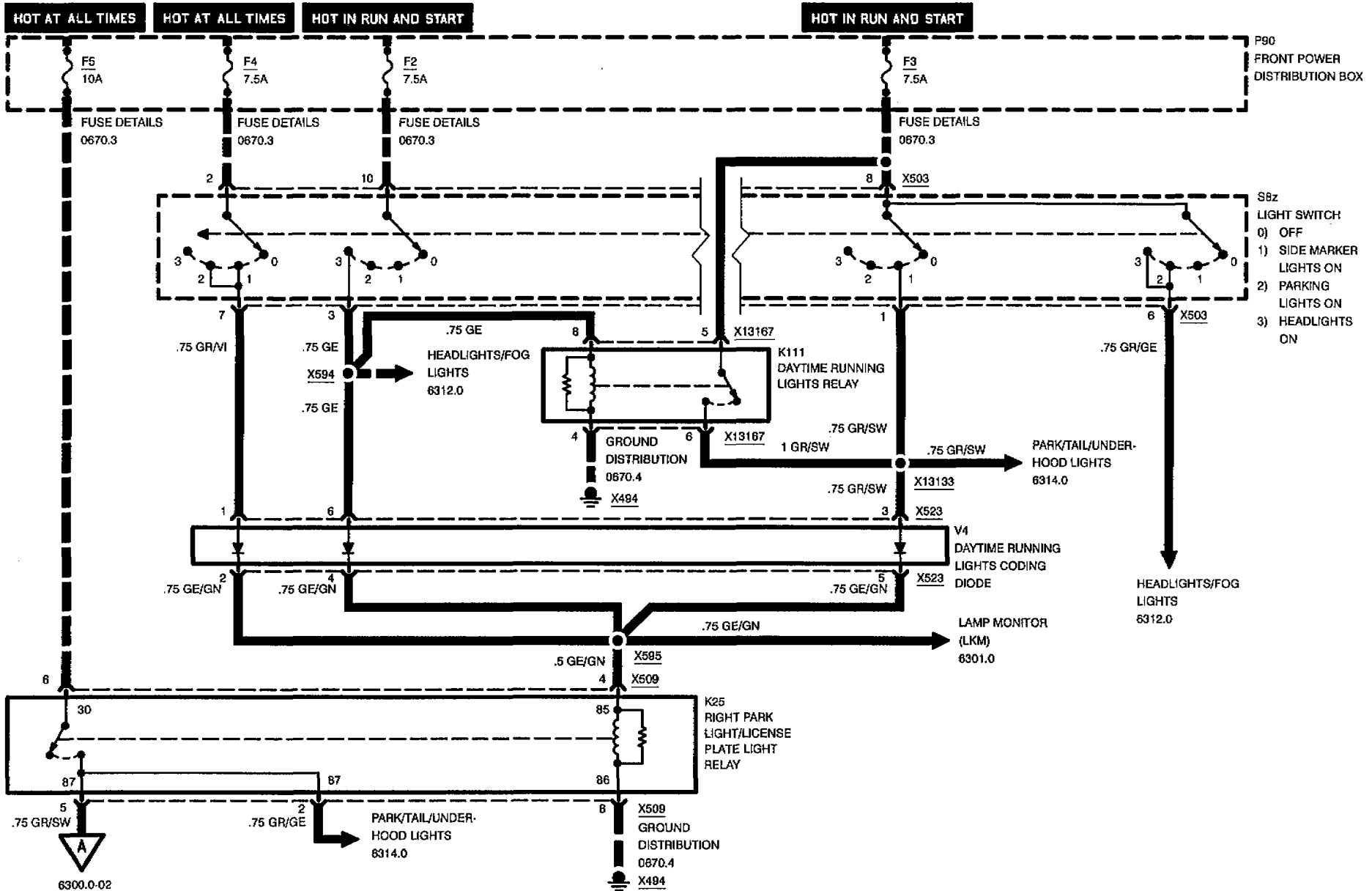


LIGHT SWITCH DETAILS





LIGHT SWITCH DETAILS



6300.0-02

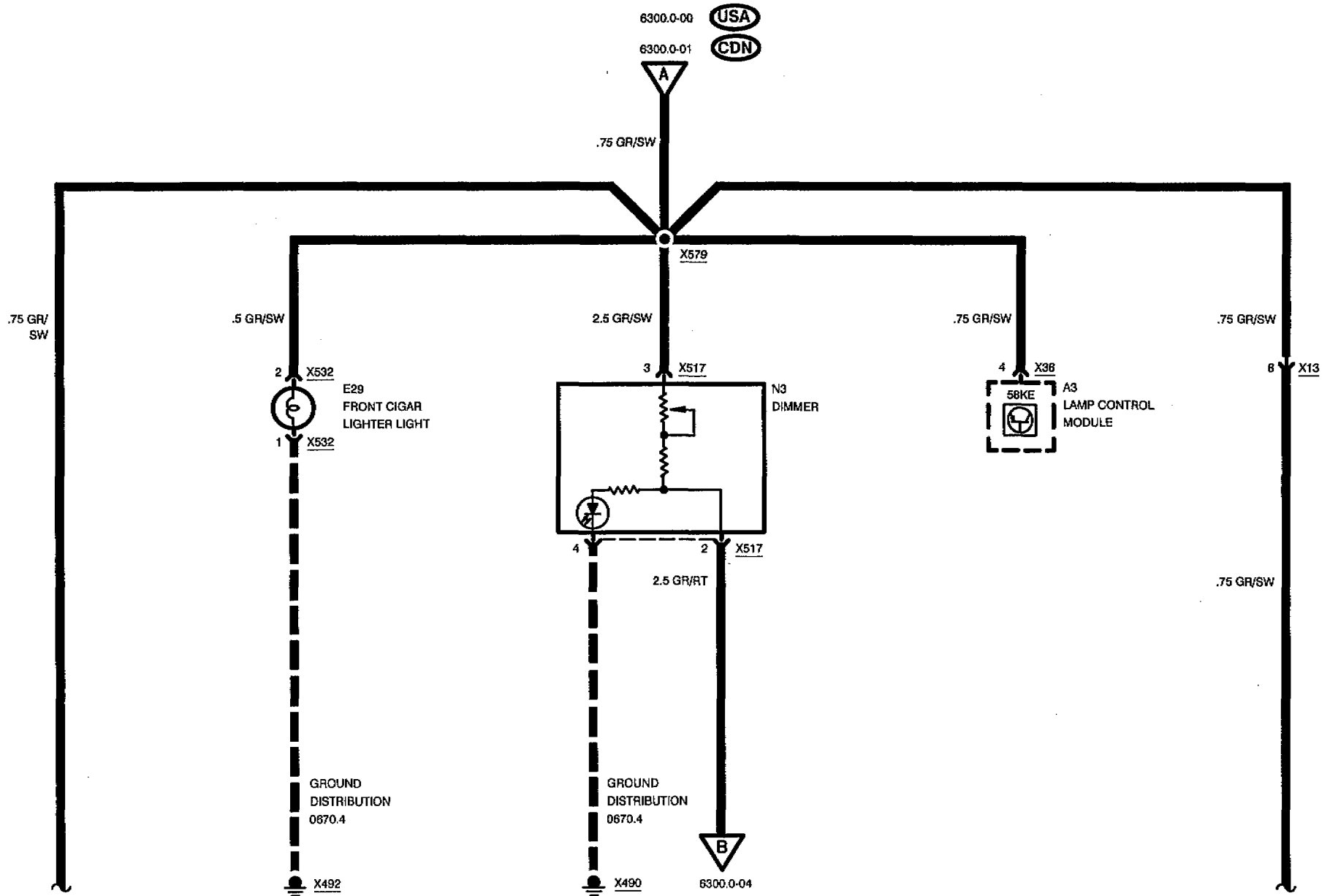
02/97

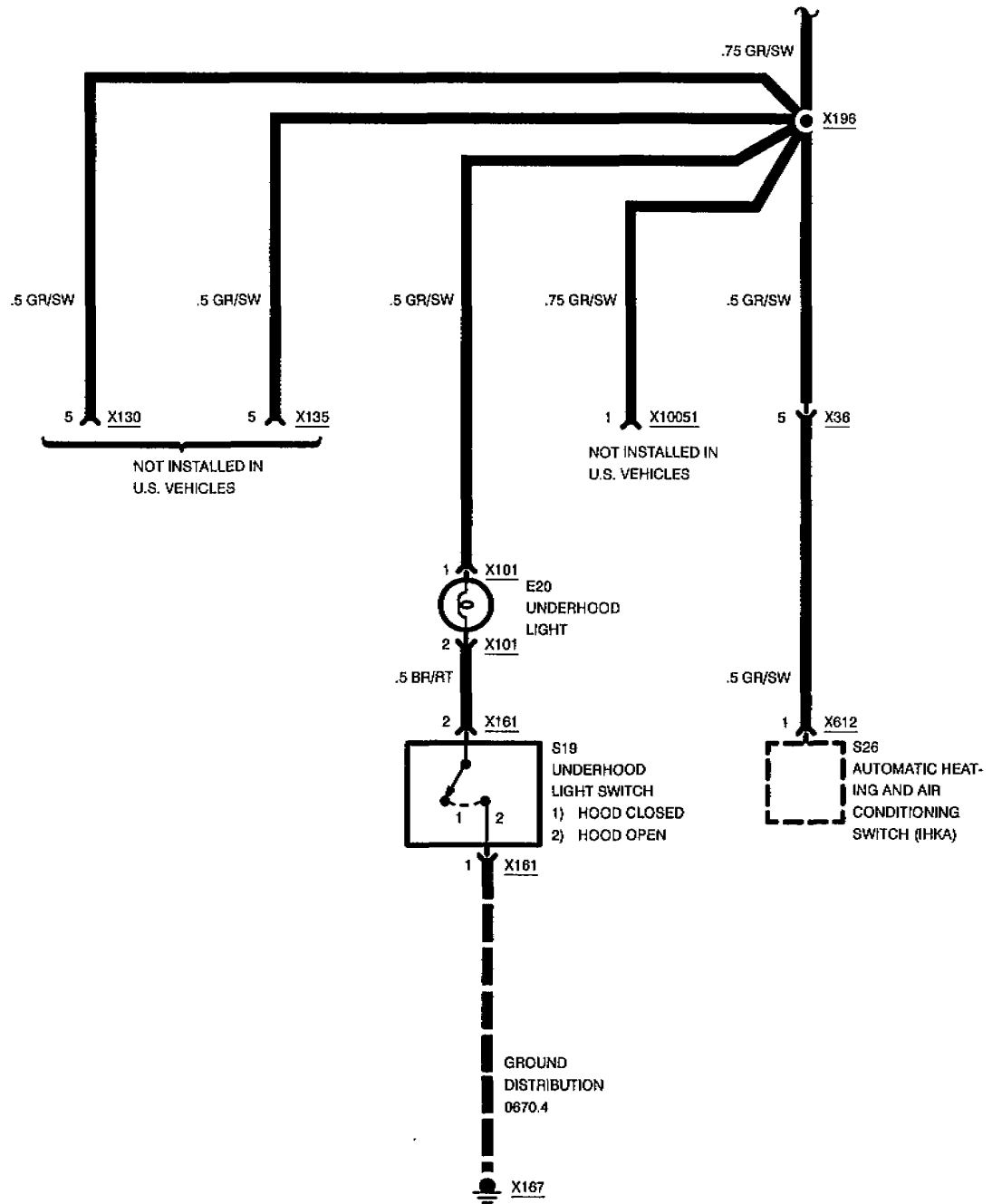
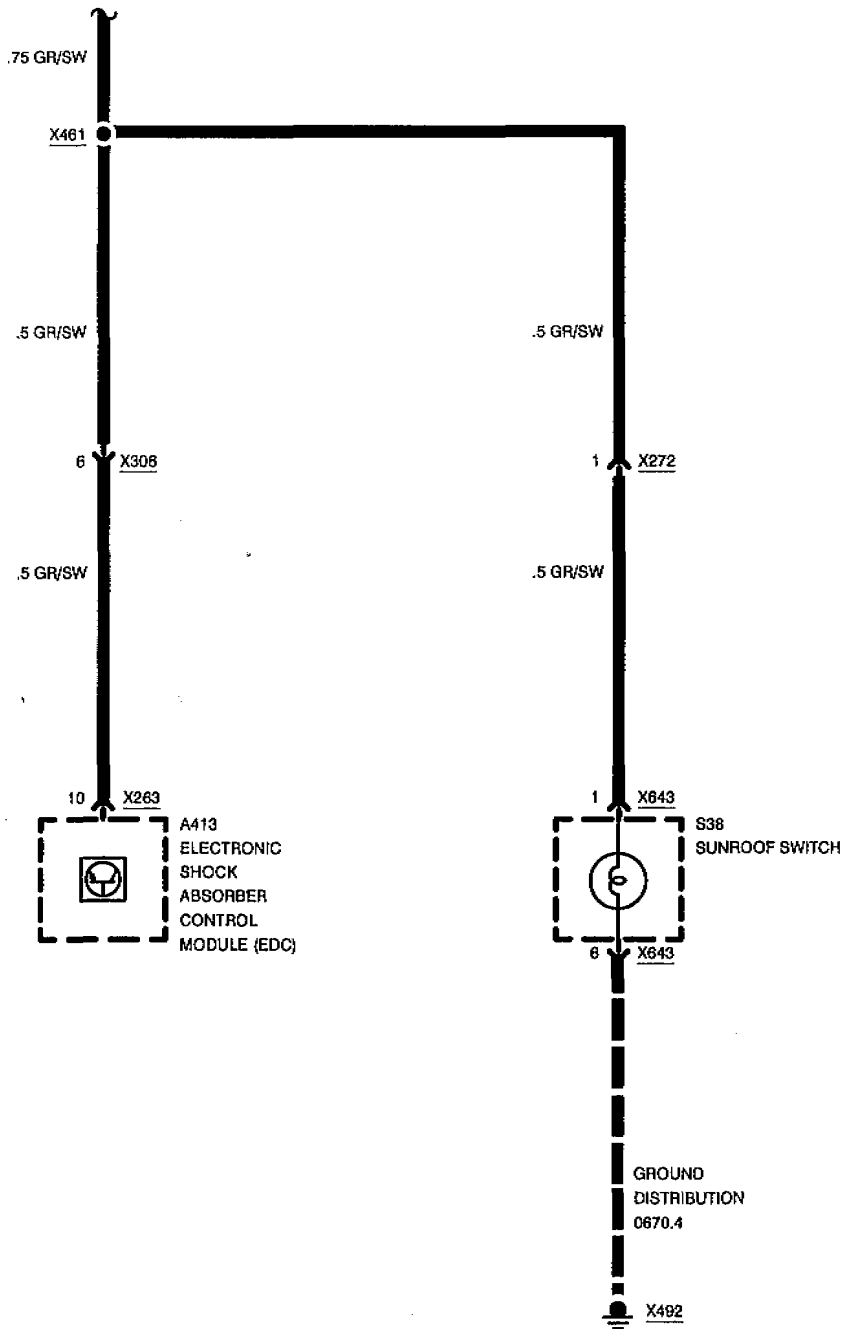
6300.0-01

95/96



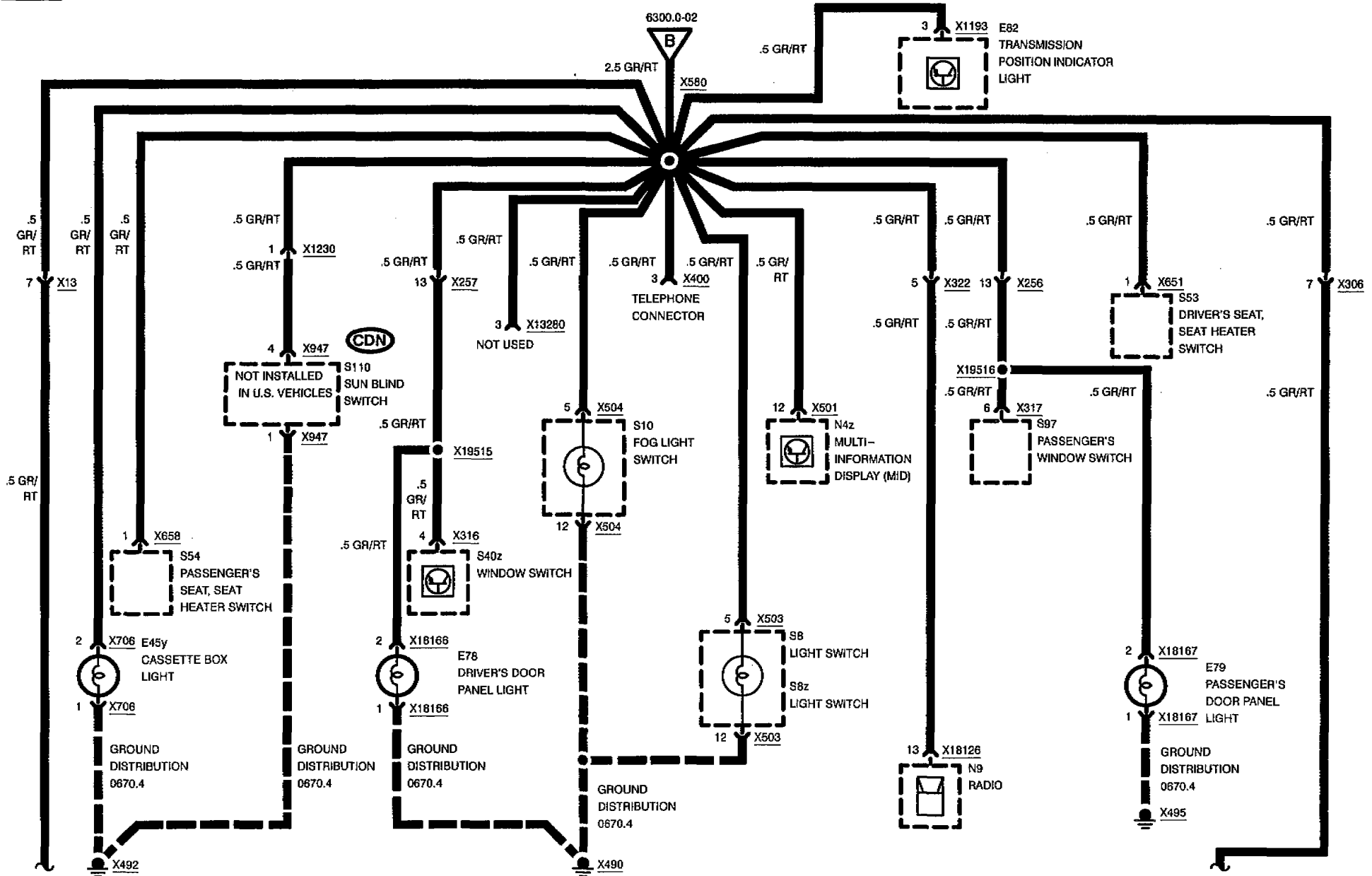
LIGHT SWITCH DETAILS

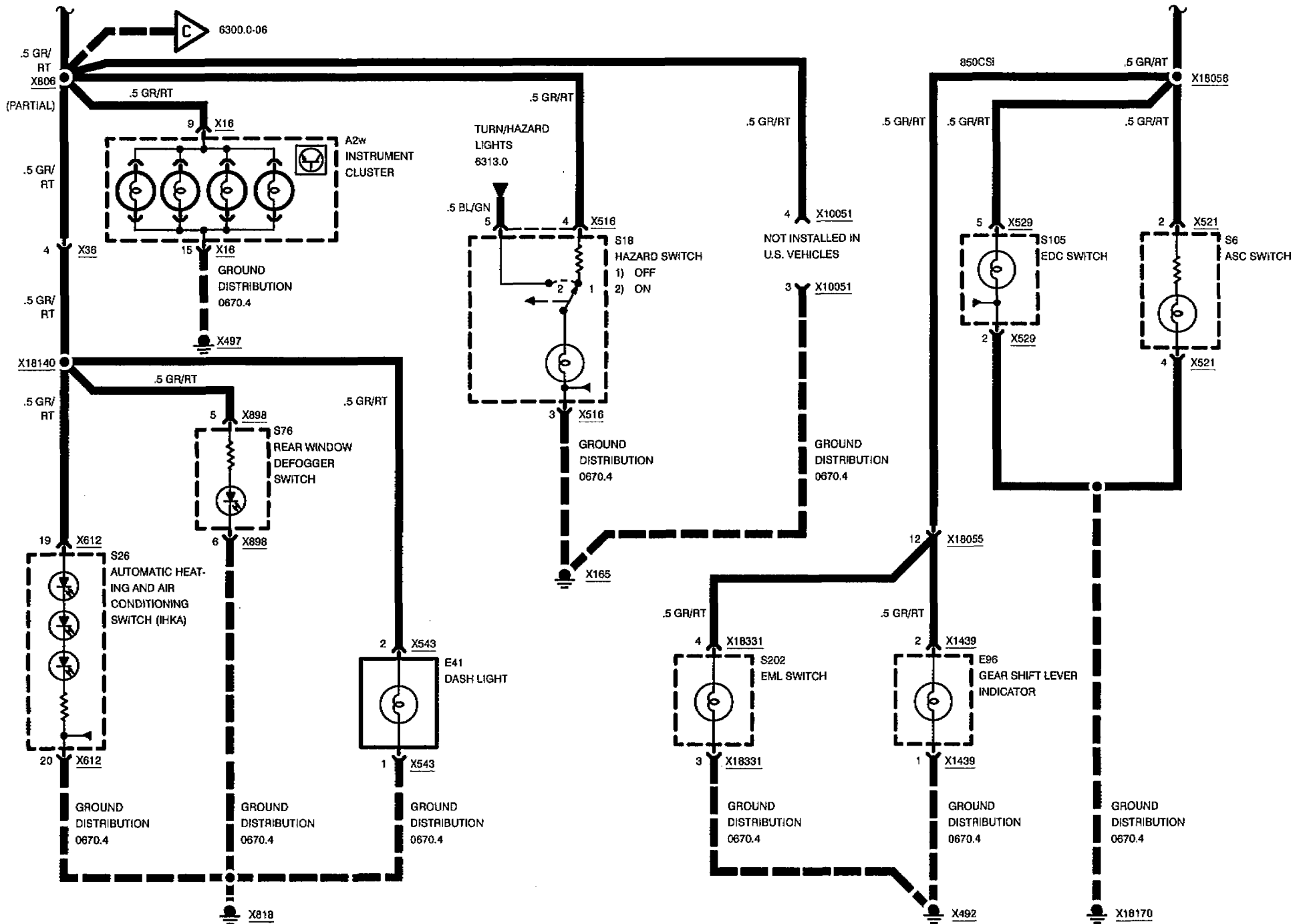






LIGHT SWITCH DETAILS

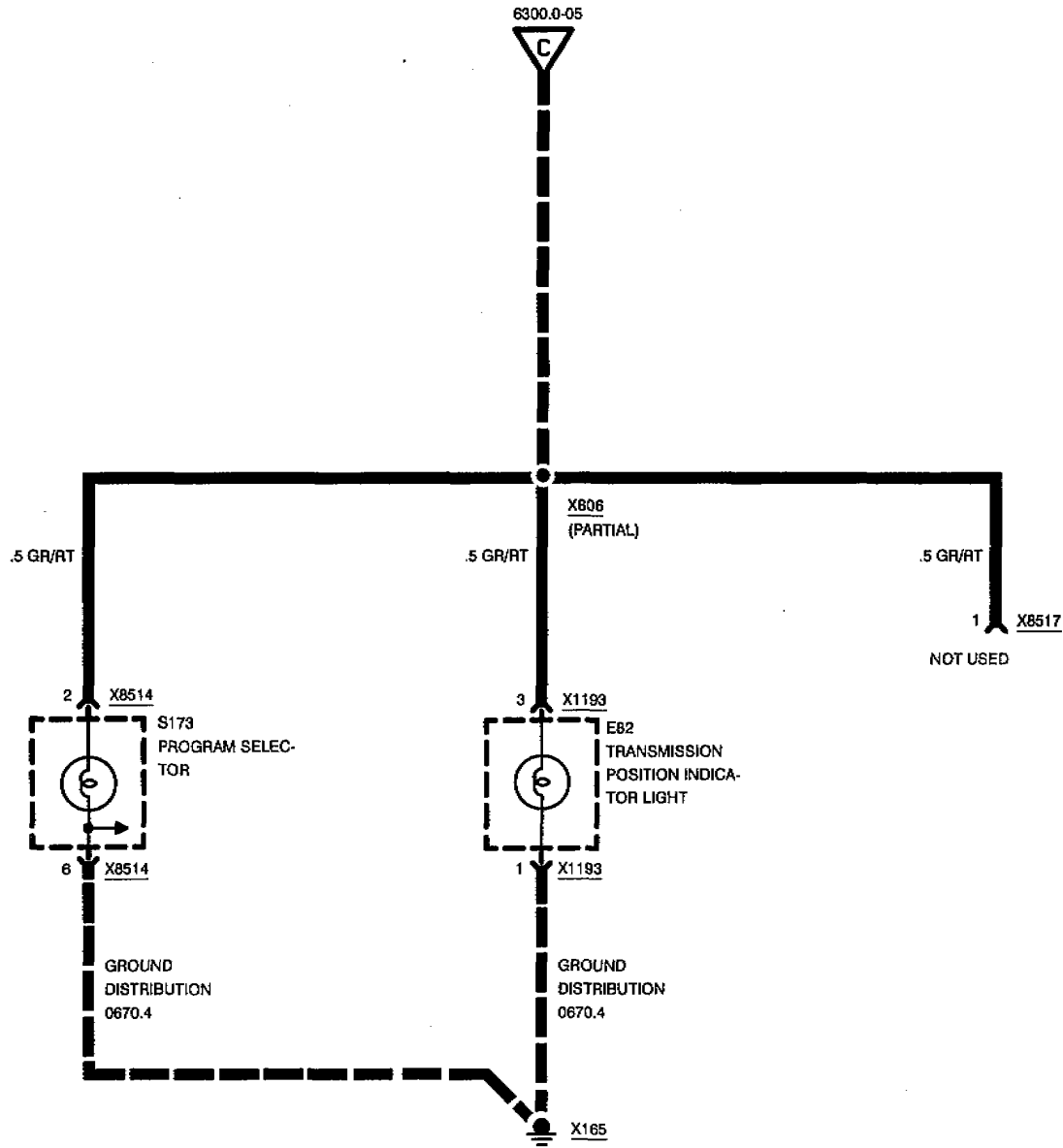


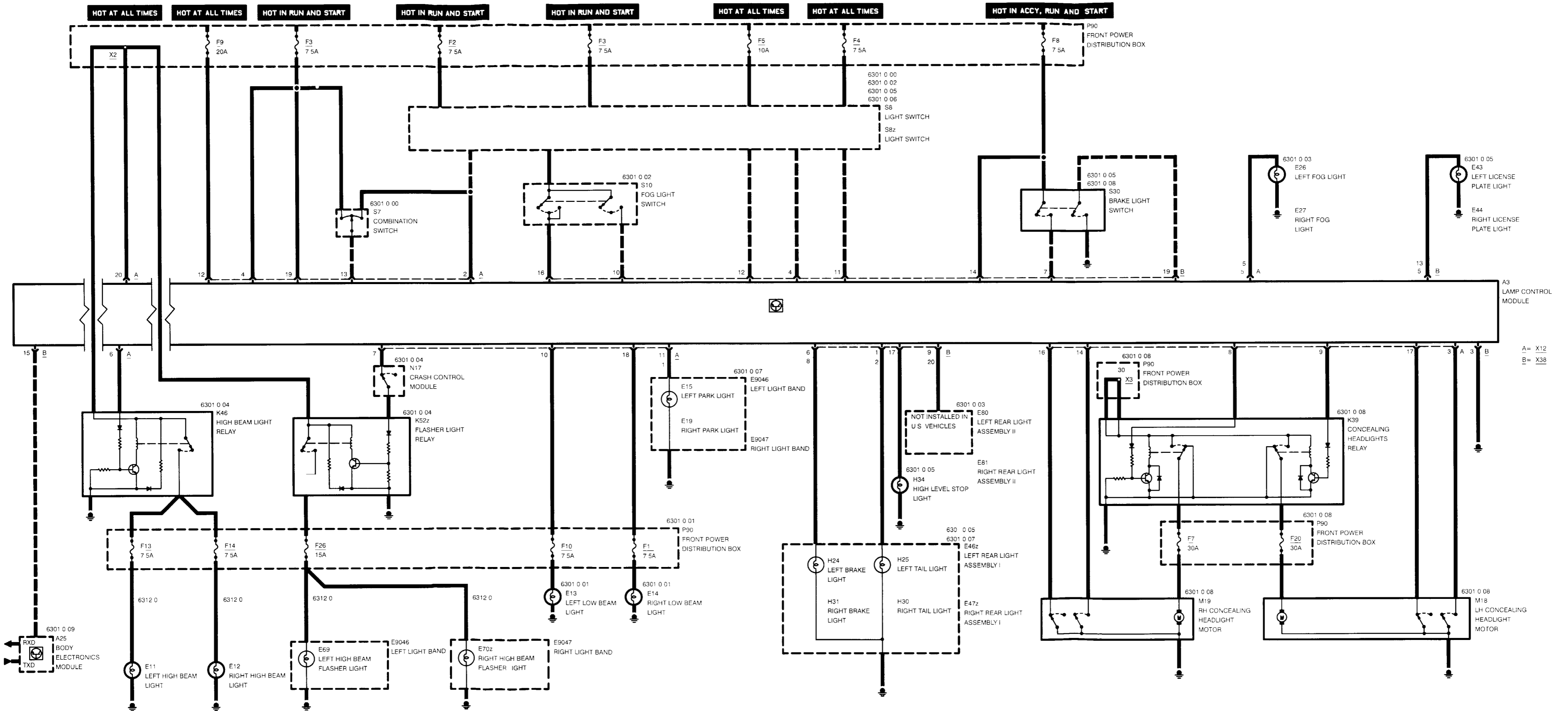


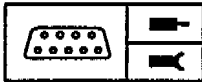


LIGHT SWITCH DETAILS

840Ci (M60)







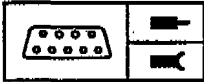
Pin Assignments

A=X12	20 pins, white
B=X38	20 pins, black

X12

Pin	Type	Description/Function	Connection
1	A	Right front parking light	Right light assembly
2	E	Light switch/low beam	Light switch
3	E	Left KSW position signal (KSW position OPEN)	Left concealing headlight motor (KSW)
4	E	Power circuit for rear fog light, control circuit for fog lights, low beam, high beam/headlight flasher	Fuse 3
5	A	Right fog light	Right fog light
6	A	High beam relay (double relay high beam/headlight flasher)	High beam light relay
7	A	Headlight flasher relay (double relay high beam/headlight flasher)	Crash control unit
8	A	Right concealing headlight motor signal	Concealing headlight relay
9	A	Left concealing headlight motor signal	Concealing headlight relay
10	A	Left low beam	Left low beam light
11	A	Left front parking light	Left light assembly
12	E	Power circuit for fog lights	Fuse 9
13	E	High beam	Combination switch
14	E	Right KSW position signal (KSW position OPEN)	Right concealing headlight motor (KSW)
15	A	Left fog light	Left fog light
16	E	Right KSW position signal (KSW position CLOSED)	Right concealing headlight motor (KSW)
17	E	Left KSW position signal (KSW position CLOSED)	Left concealing headlight motor (KSW)
18	A	Right low beam	Right low beam light
19	E	Voltage supply terminal 15/control circuit	Fuse 3
20	E	Voltage supply terminal 30/control circuit	Power distribution box

E = Input, A = Output, M = Ground



Pin Assignments

X38

Pin	Type	Description/Function	Connection
1	A	Left tail light	Left tail light
2	A	Right tail light	Right tail light
3	M	Ground	Ground point
4	E	License plate light signal	Light switch
5	A	Right license plate light	Right license plate light
6	A	Left brake light	Left brake light
7	E	Brake light signal	Brake light switch
8	A	Right brake light	Right brake light
9	A	Left rear fog light	Left rear light assembly
10	E	Rear fog light voltage	Fog light switch
11	E	Left parking light voltage	Light switch/left park light relay
12	E	Right parking light voltage	Light switch/right park light relay
13	A	Left license plate light	Left license plate light
14	E	Brake lights voltage	Fuse 8
15	E/A	I-bus/data link	All control units with I-bus
16	E	Fog light voltage	Fog light switch
17	A	High level stop light	High level stop light
18		Not used	
19	E	Brake pedal status	Brake light test switch
20	A	Right fog light	Right rear light assembly

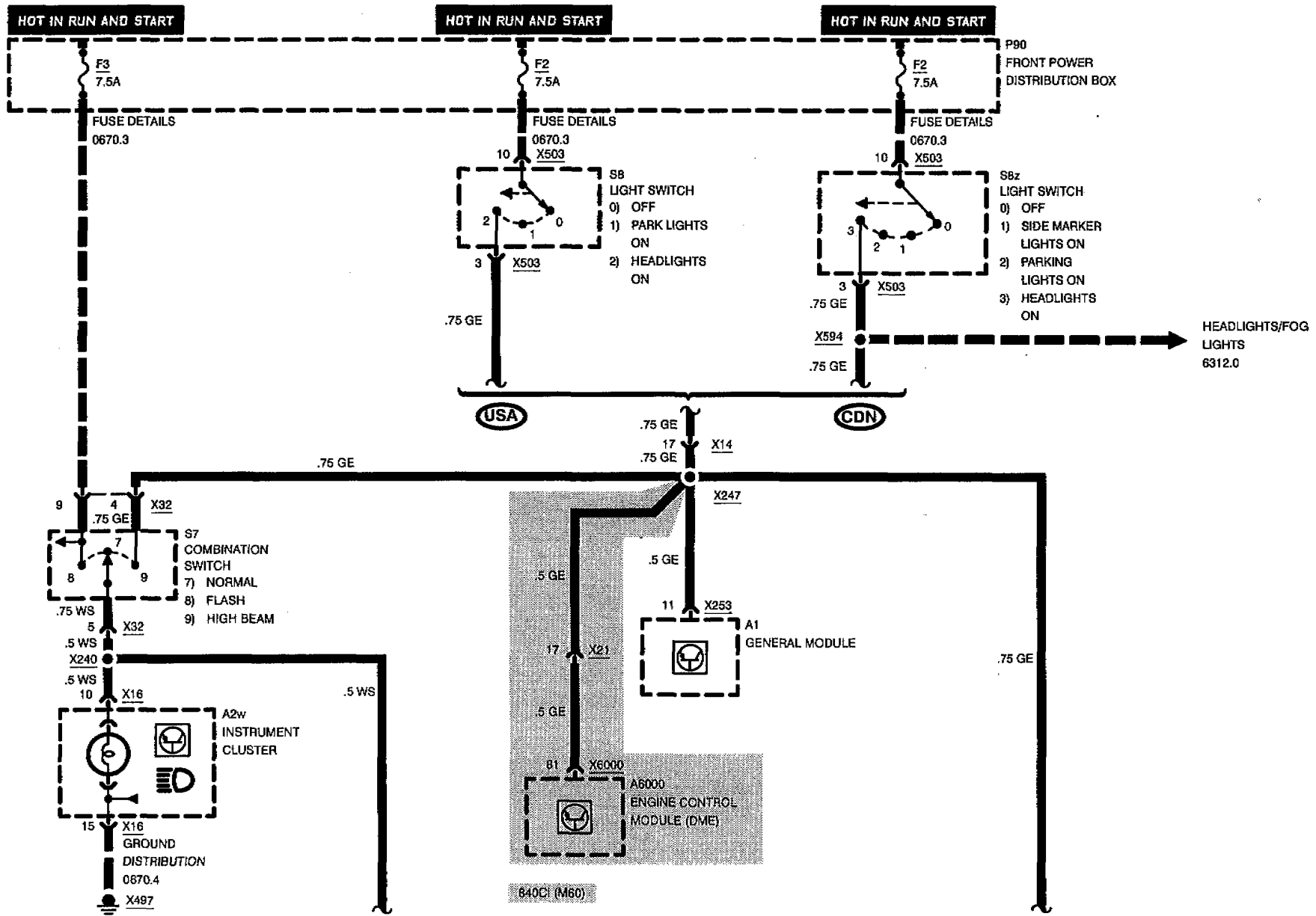
E = Input, A = Output, M = Ground

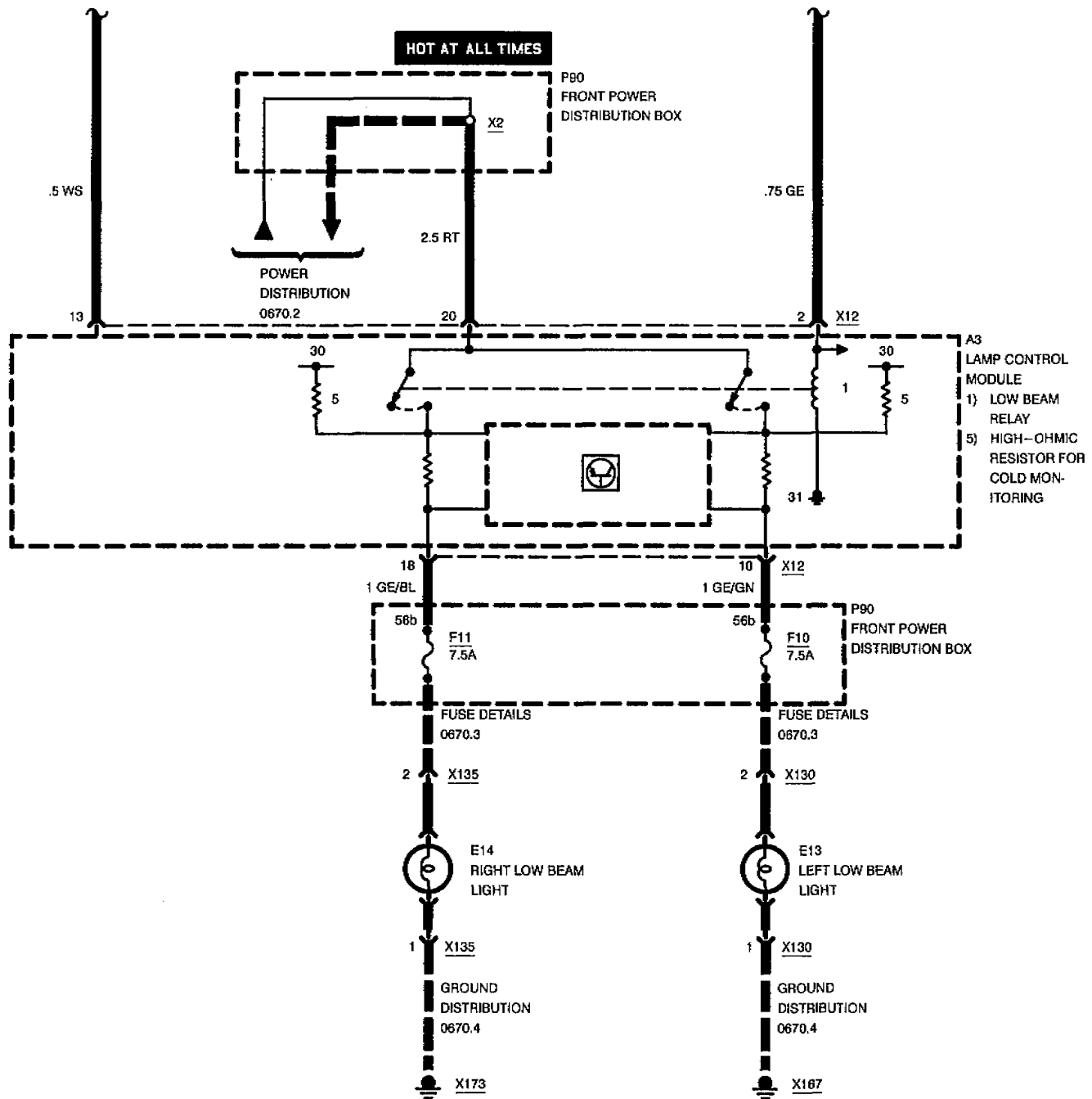




LAMP MONITOR (LKM)

HEADLIGHTS

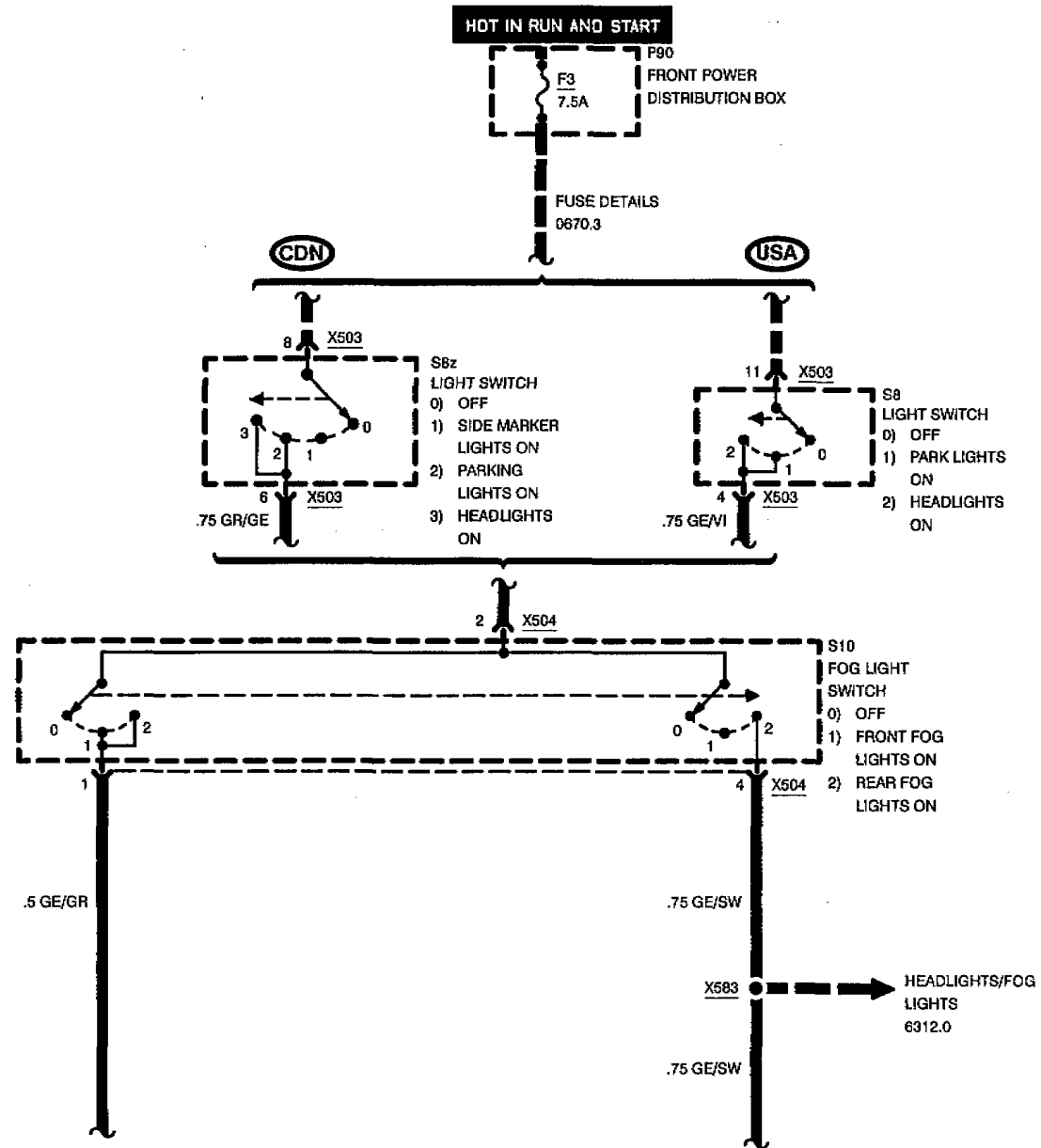


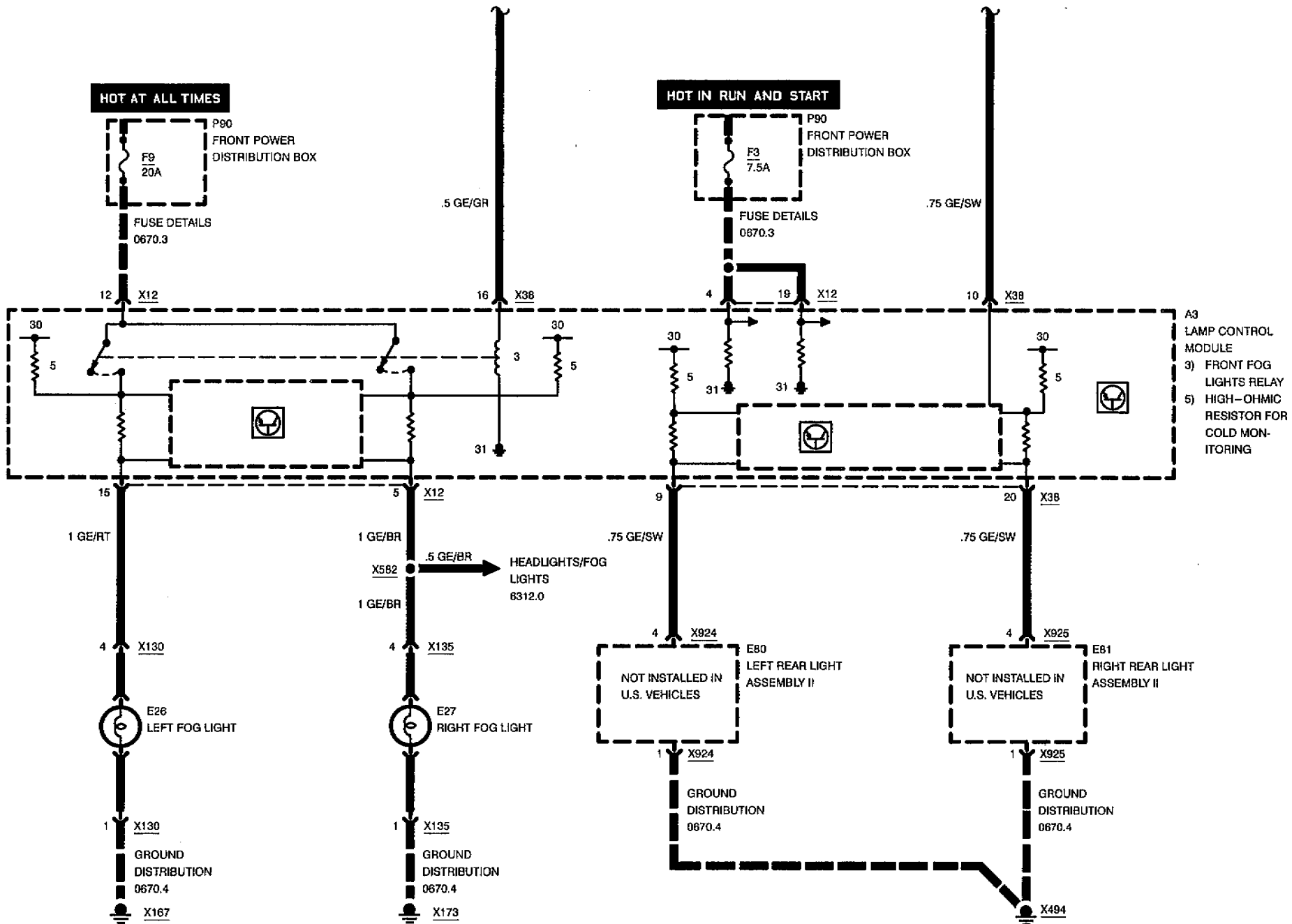




LAMP MONITOR (LKM)

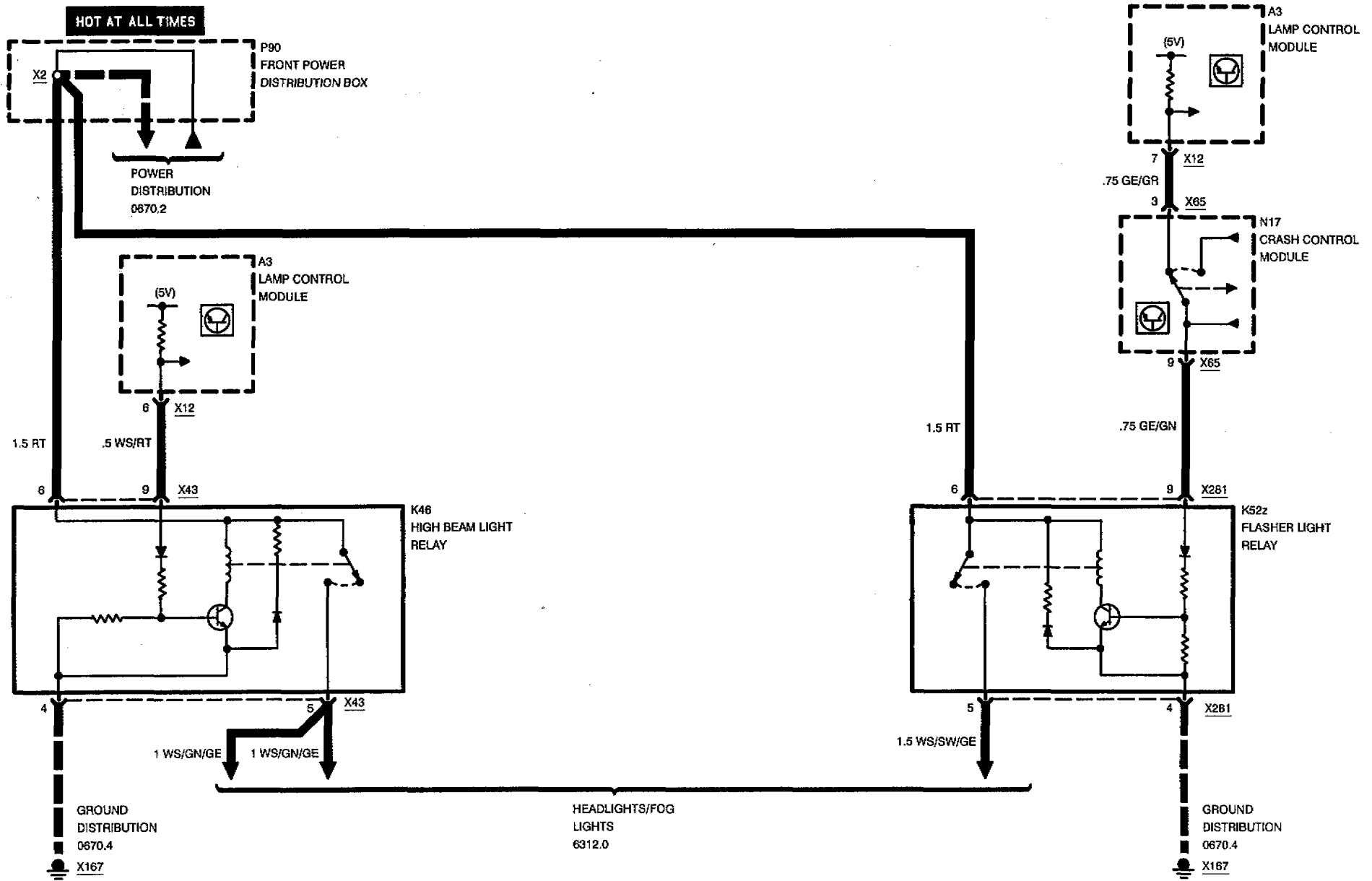
FRONT FOG LIGHTS





02/97
6301.0-03
95/96

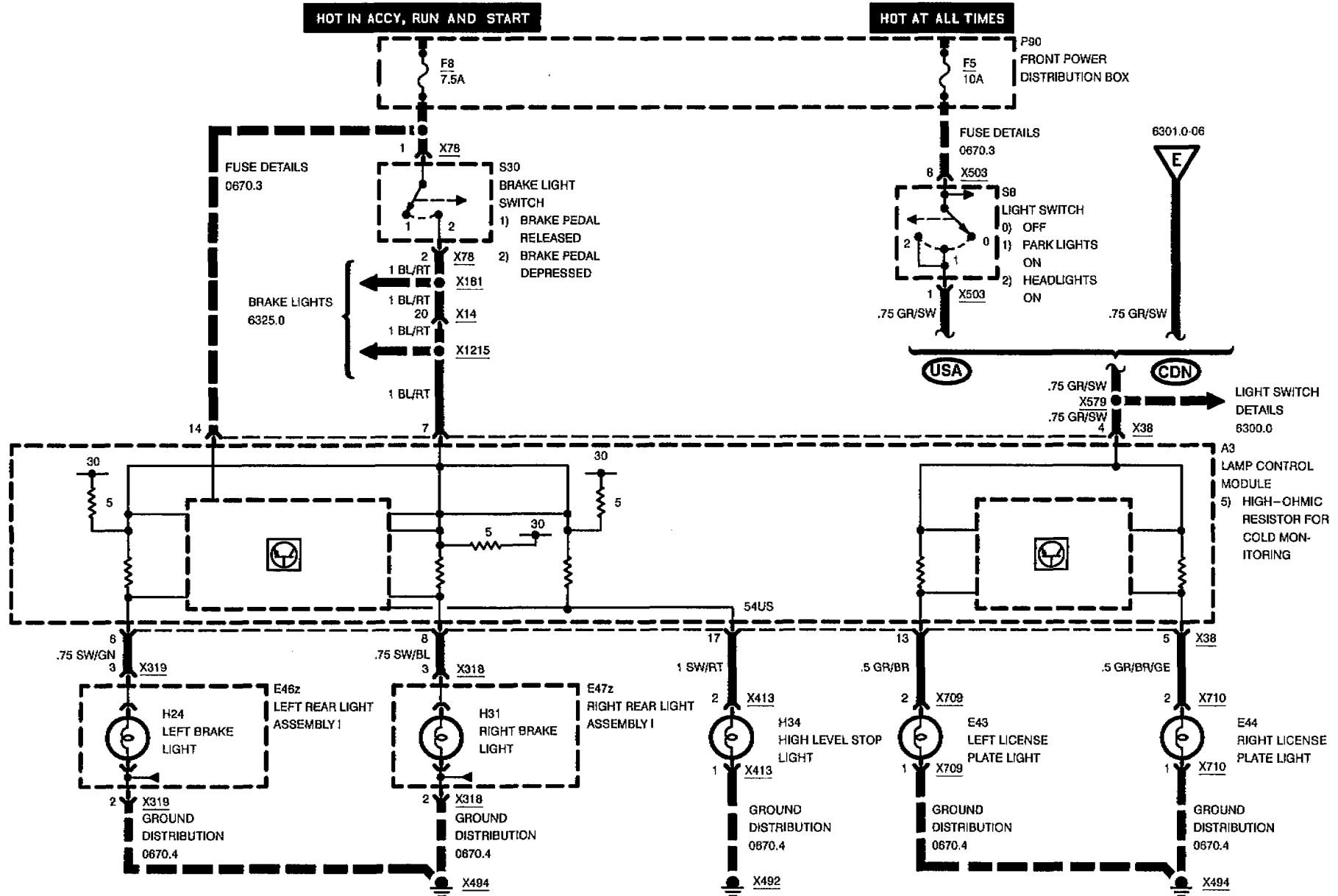
LAMP MONITOR (LKM)





LAMP MONITOR (LKM)

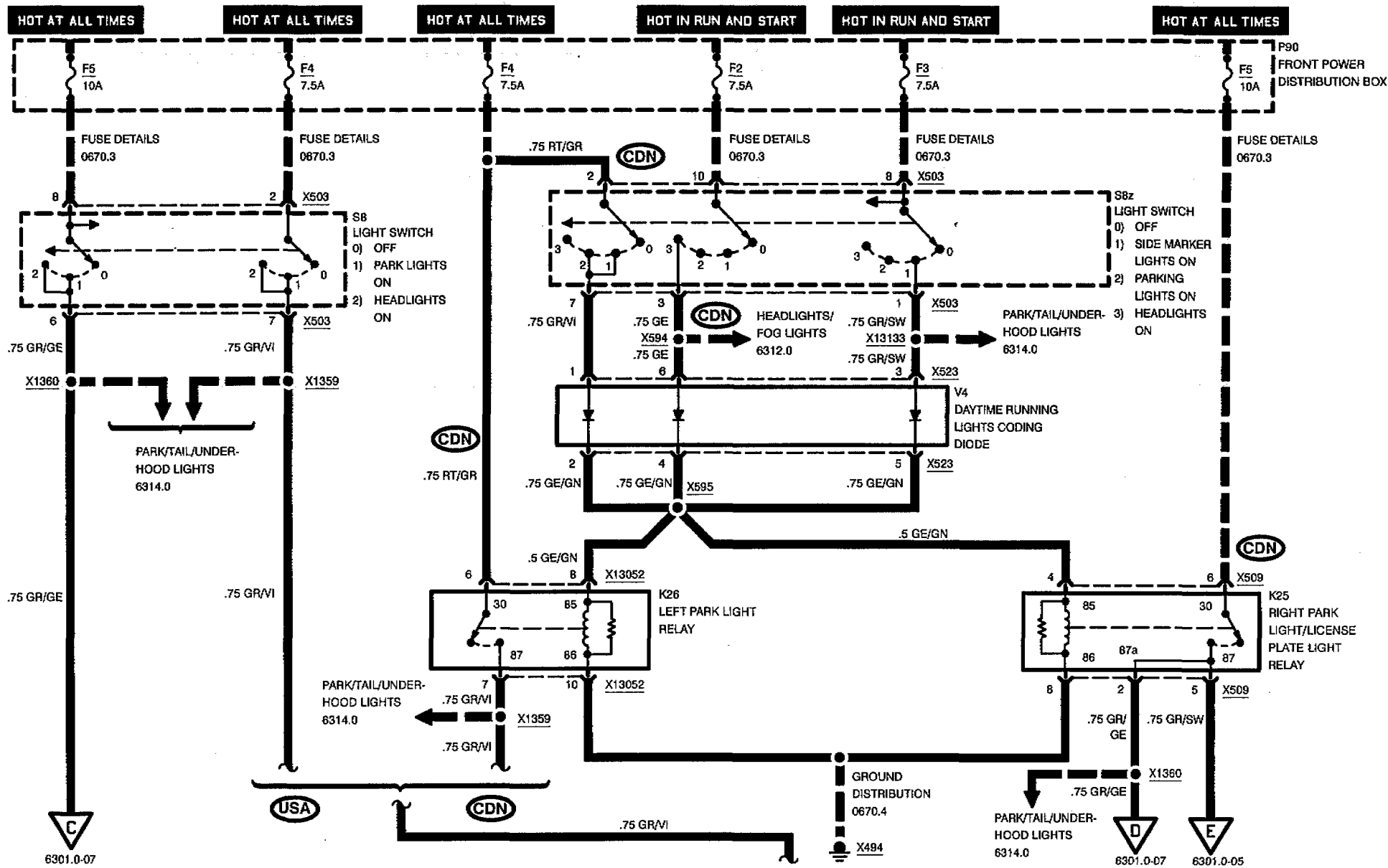
BRAKE LIGHTS, LICENSE PLATE LIGHTS

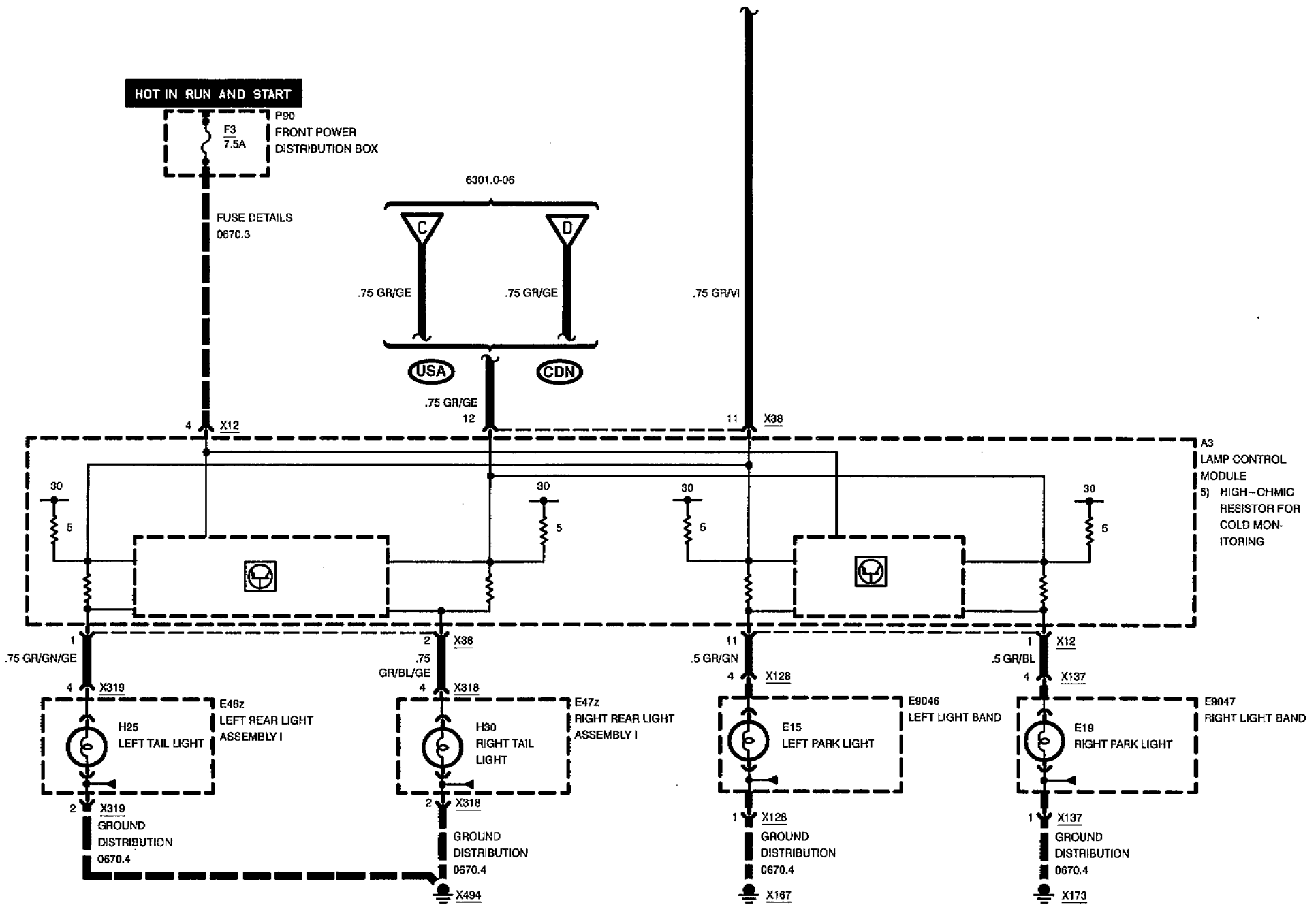




LAMP MONITOR (LKM)

PARKING LIGHTS

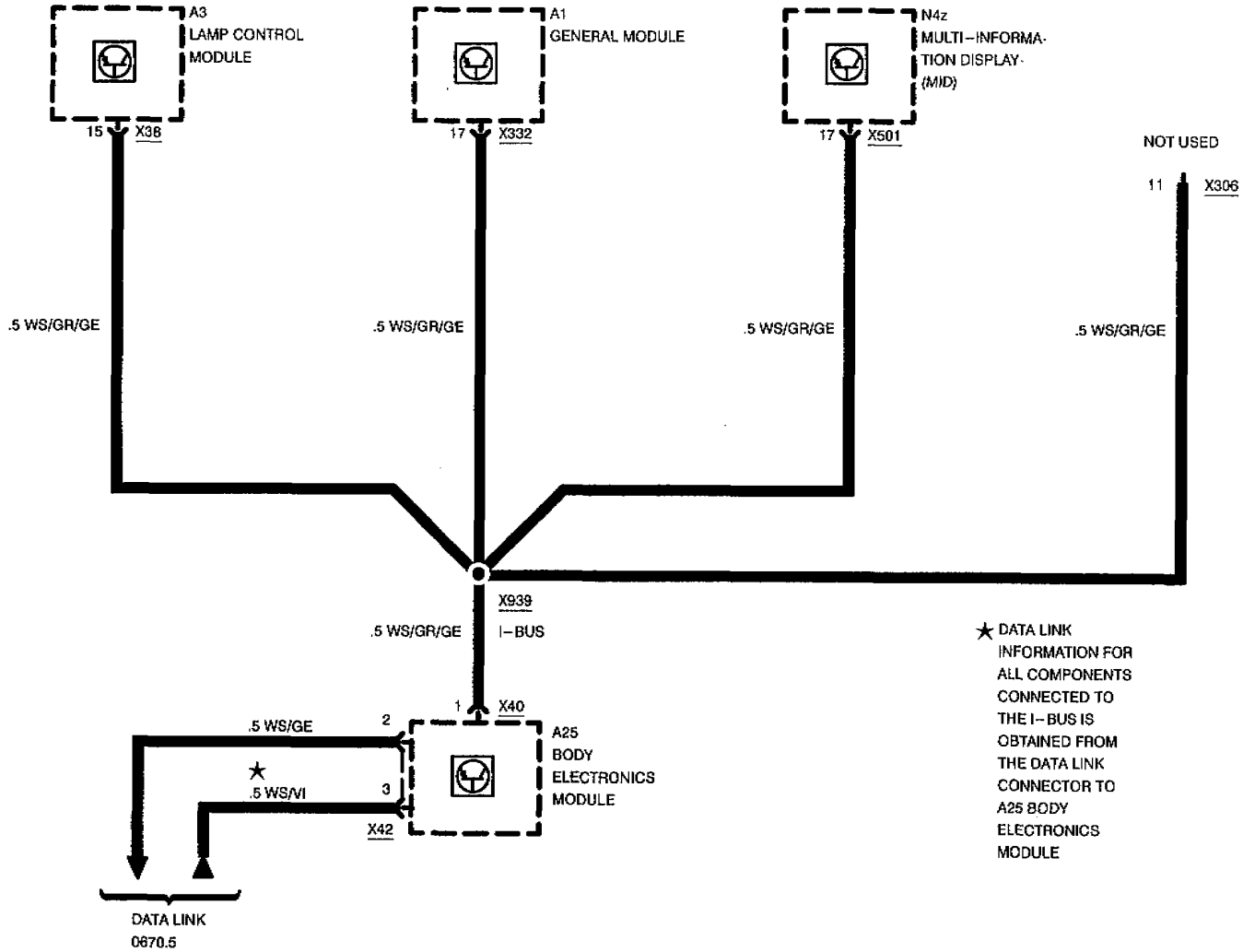


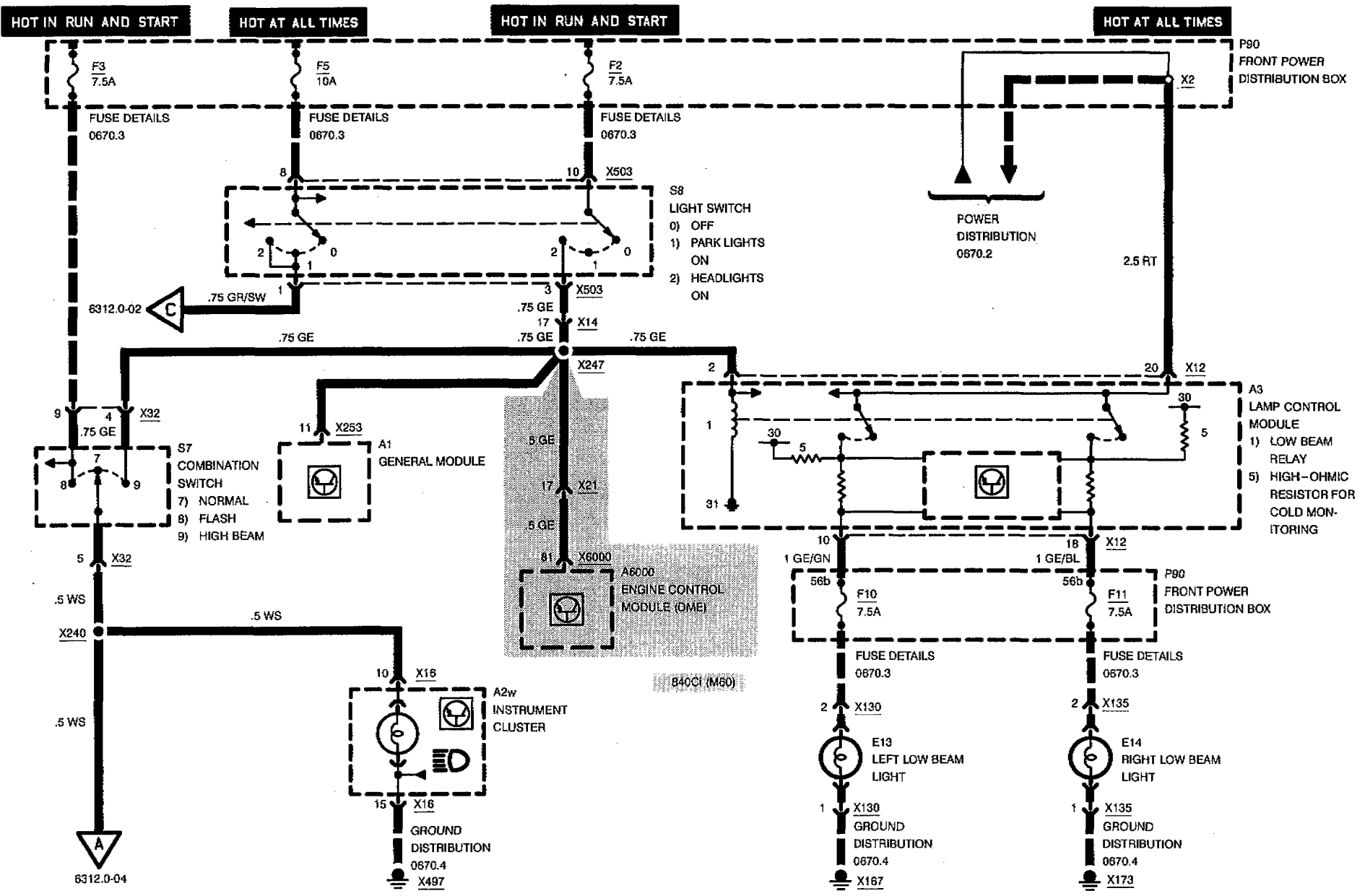




LAMP MONITOR (LKM)

INSTRUMENTATION BUS (I-BUS)

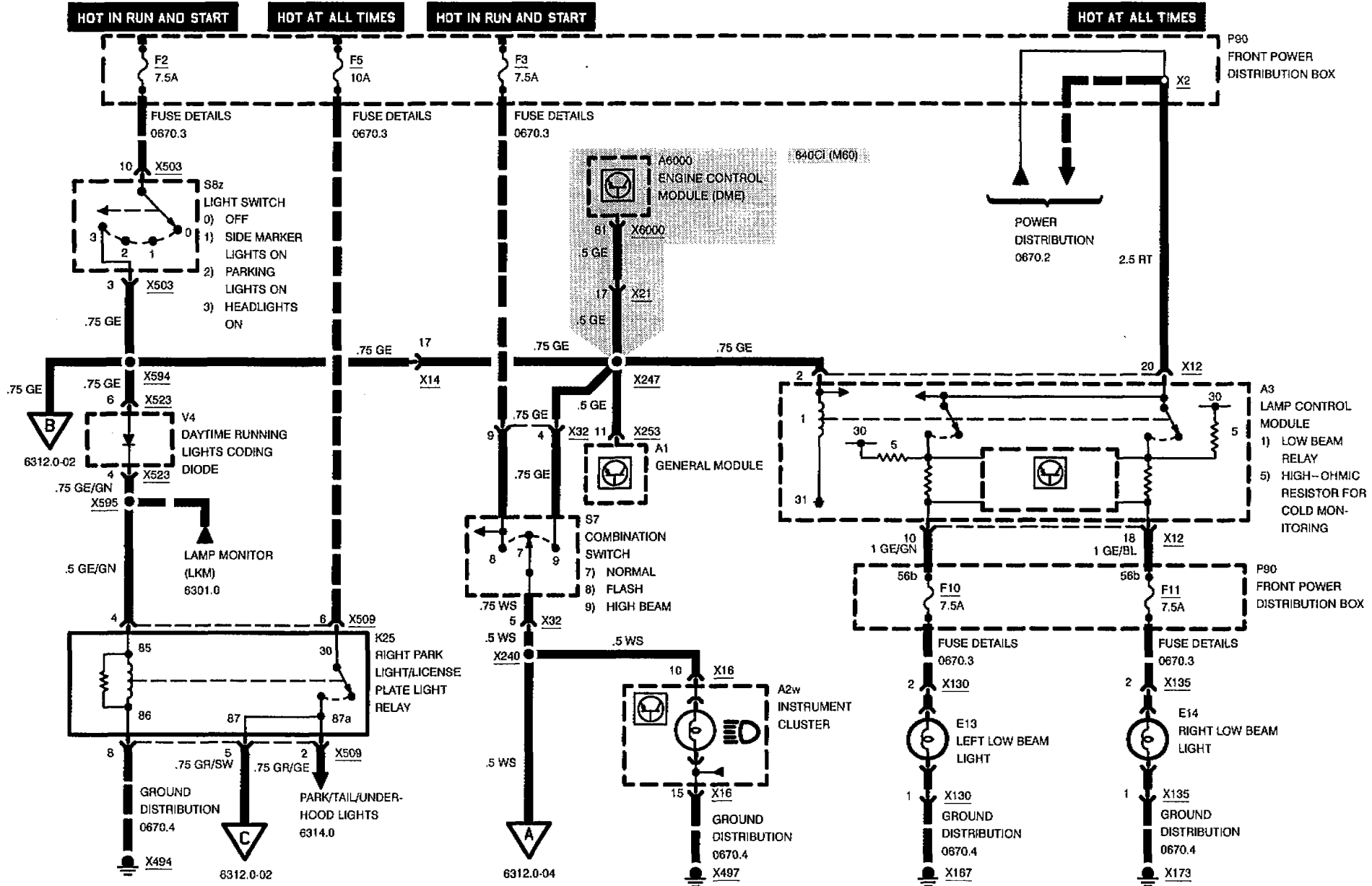






HEADLIGHTS/FOG LIGHTS

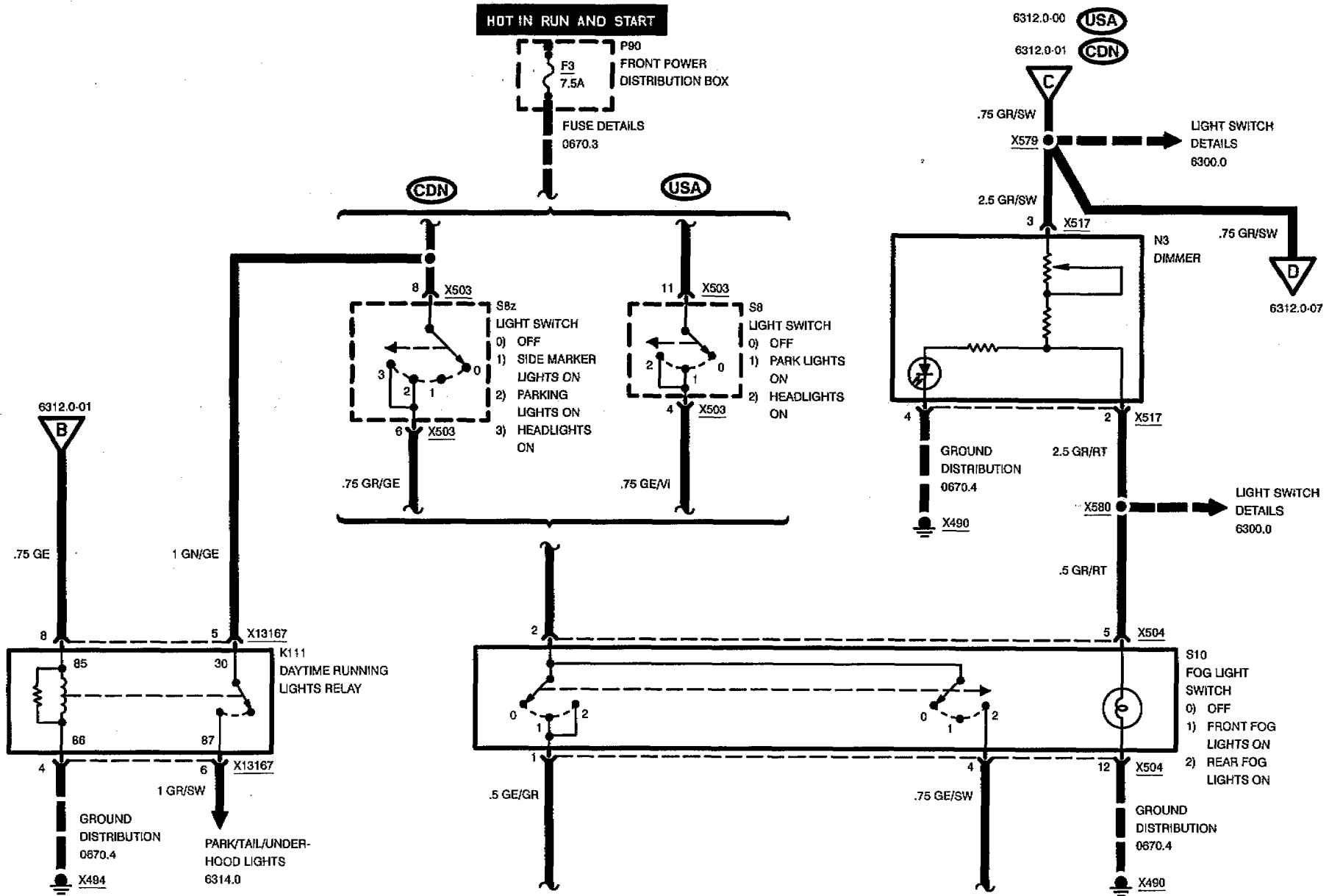
HEADLIGHTS

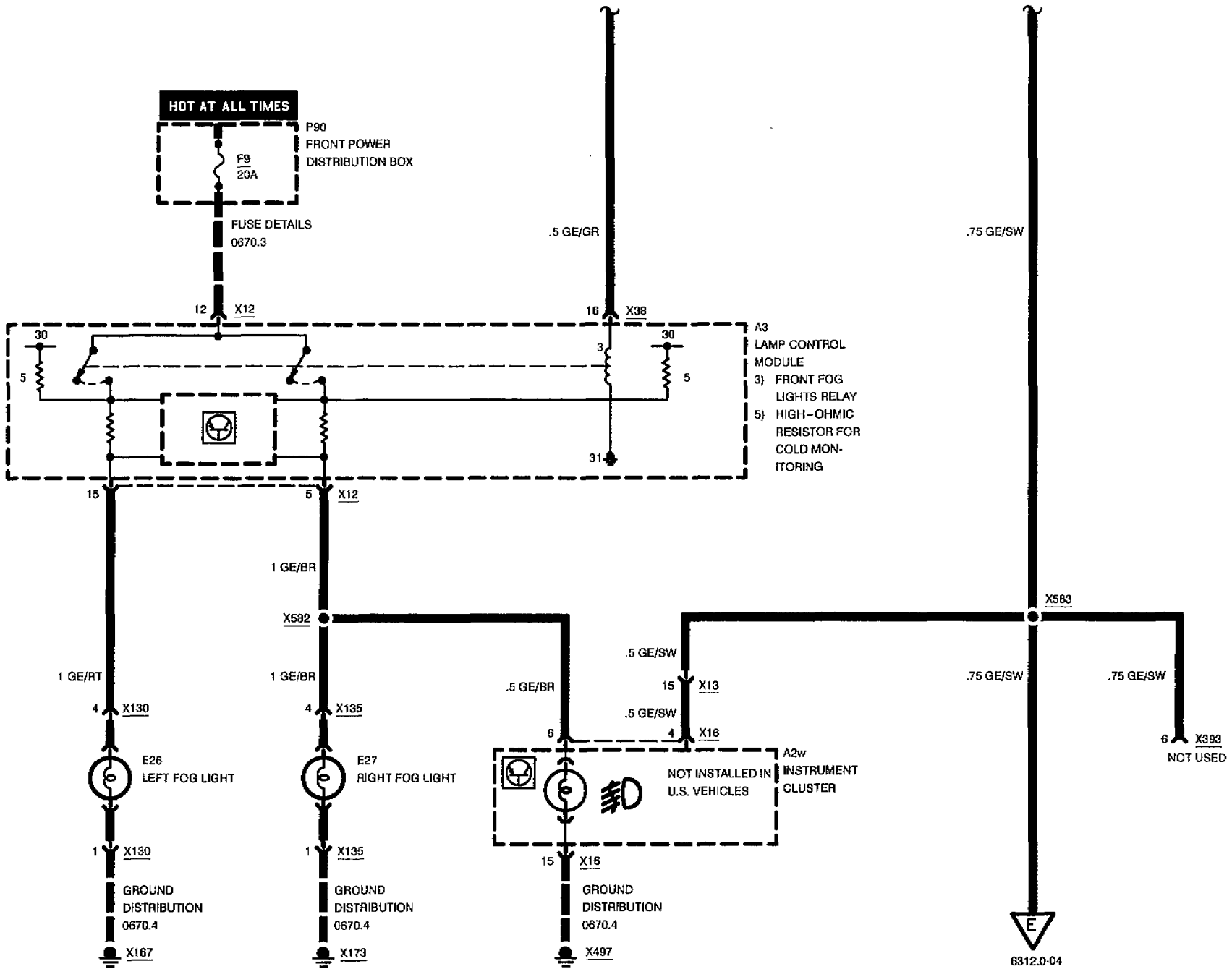




HEADLIGHTS/FOG LIGHTS

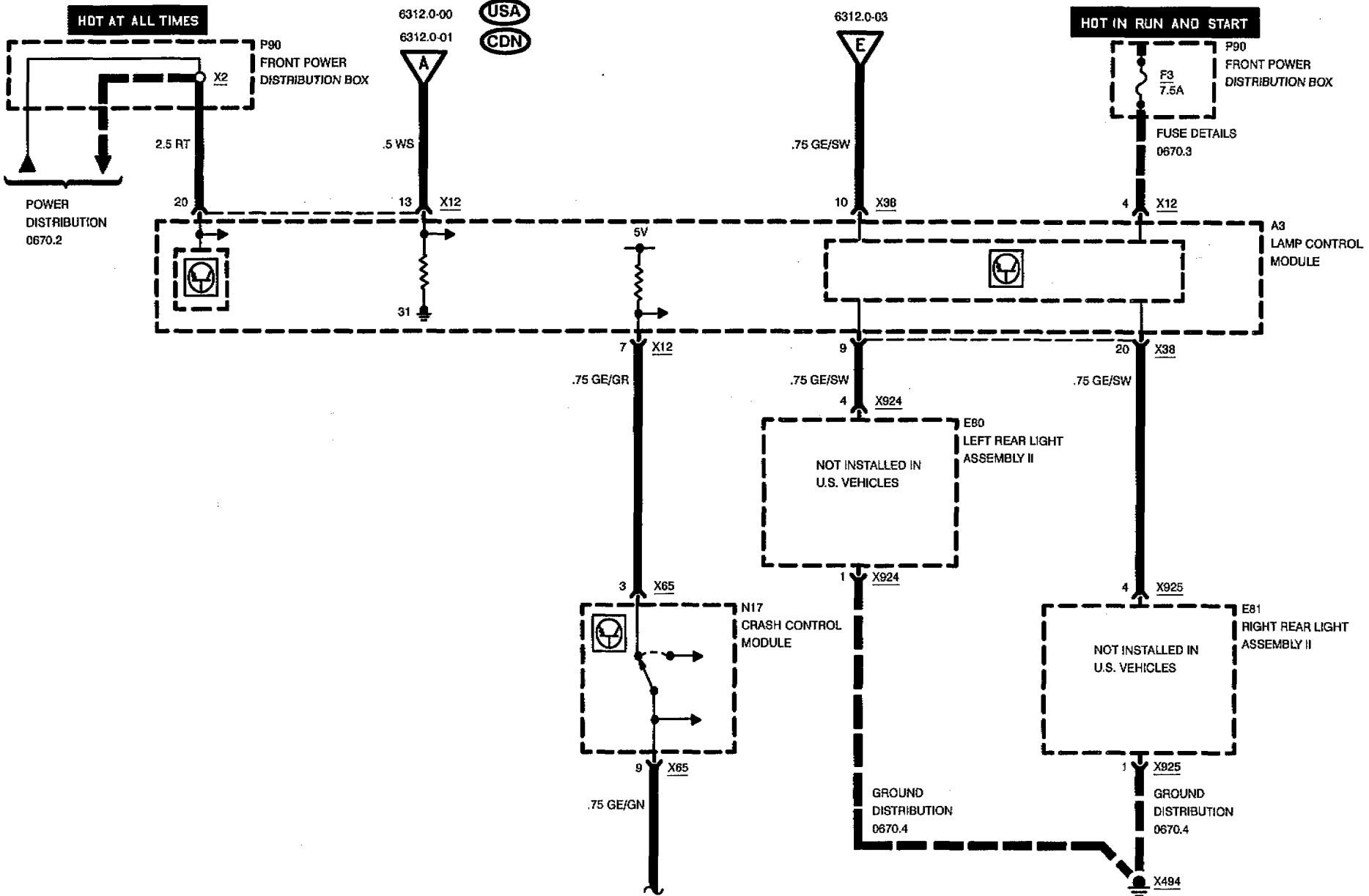
FRONT FOG LIGHTS

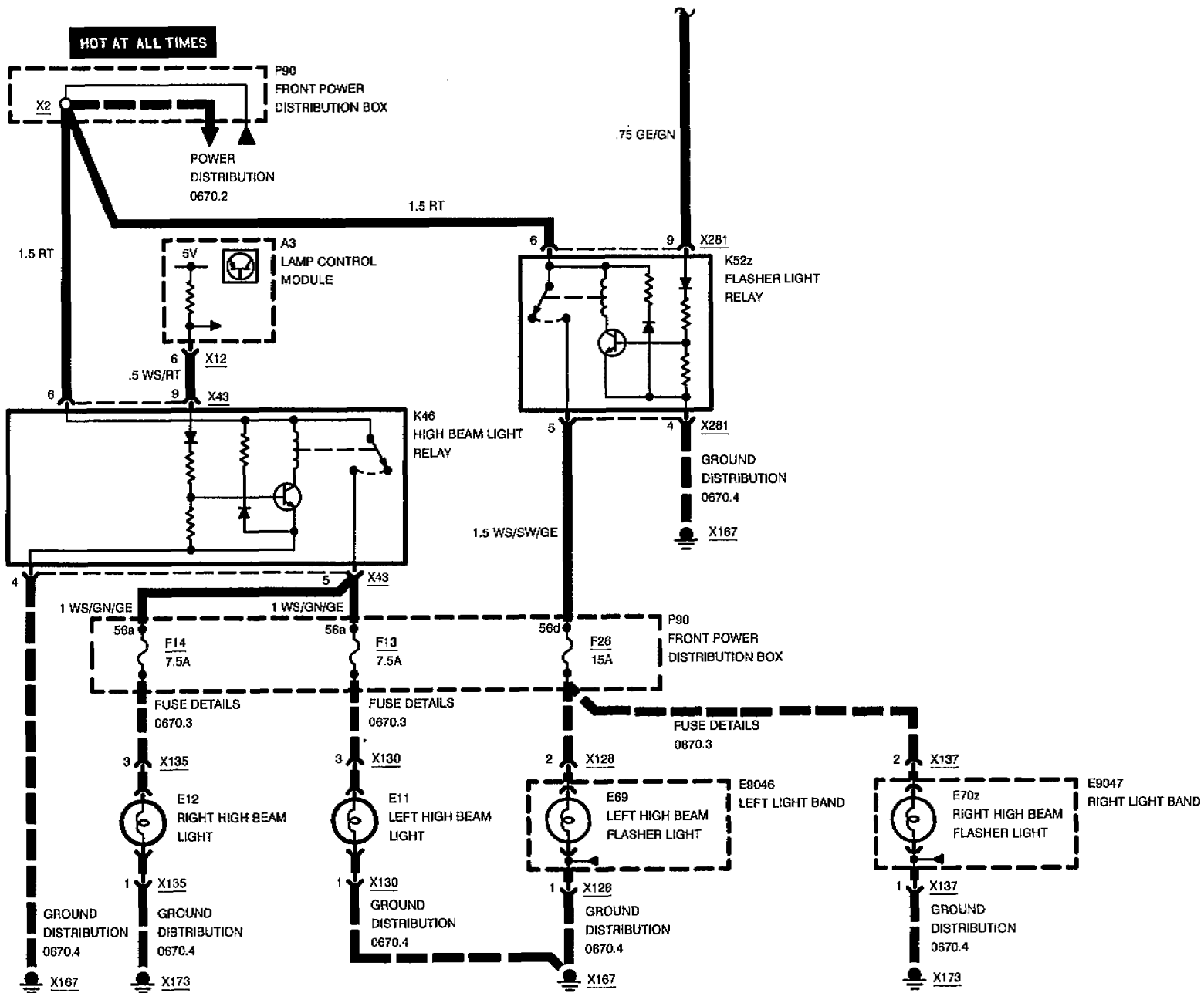






HEADLIGHTS/FOG LIGHTS HIGH BEAM LIGHTS, FLASHER LIGHTS

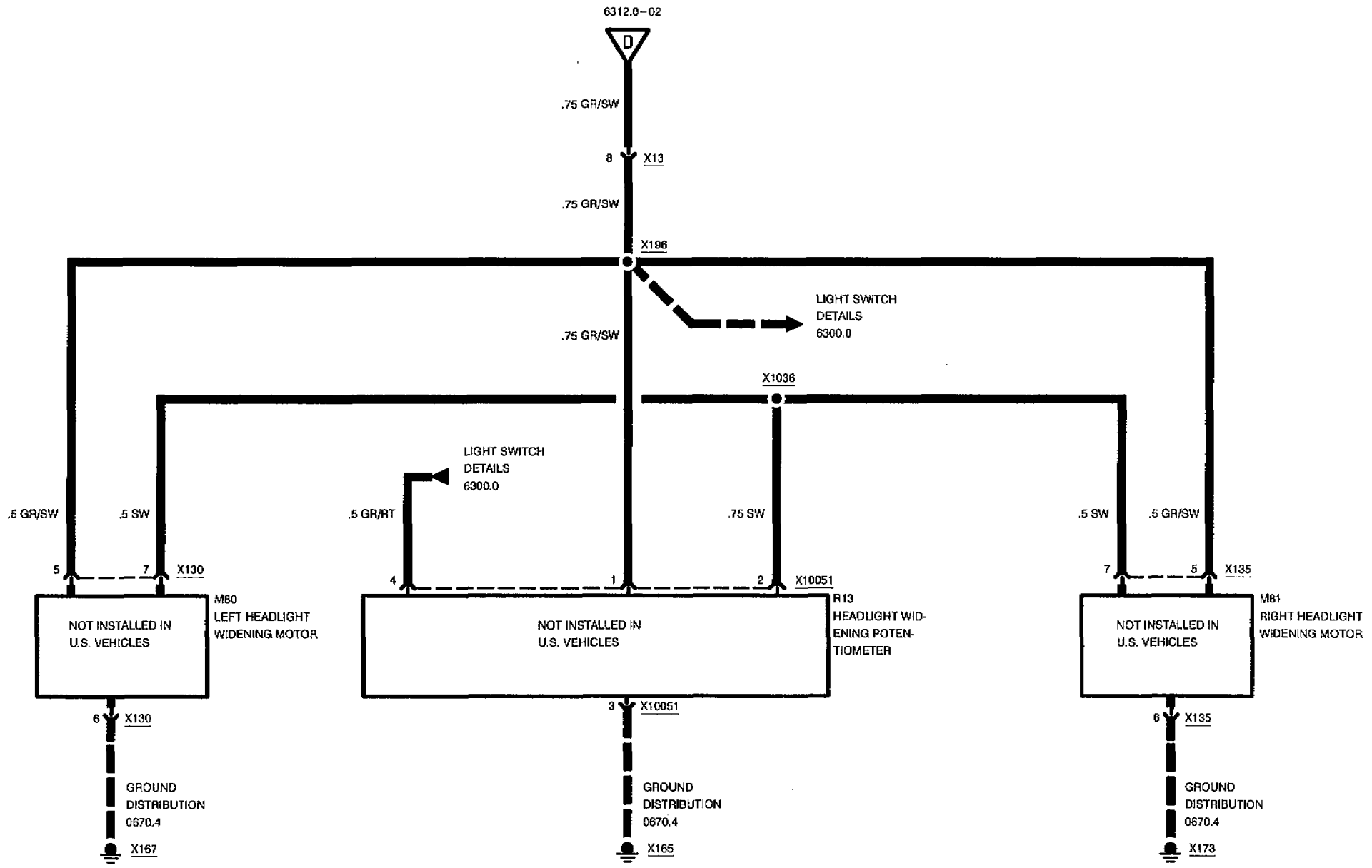






HEADLIGHTS/FOG LIGHTS

HEADLIGHT BEAM ANGLE ADJUST



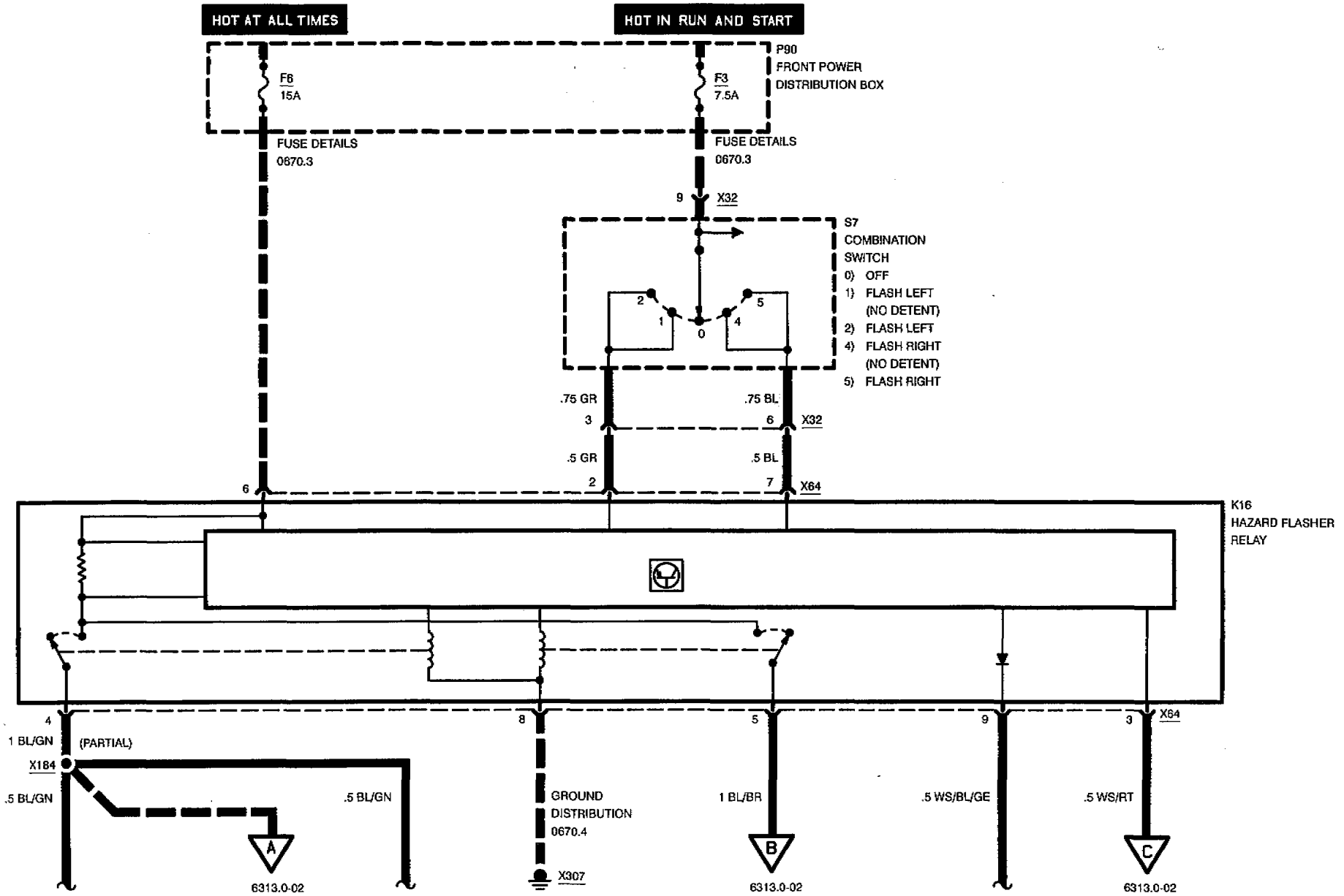
02/97

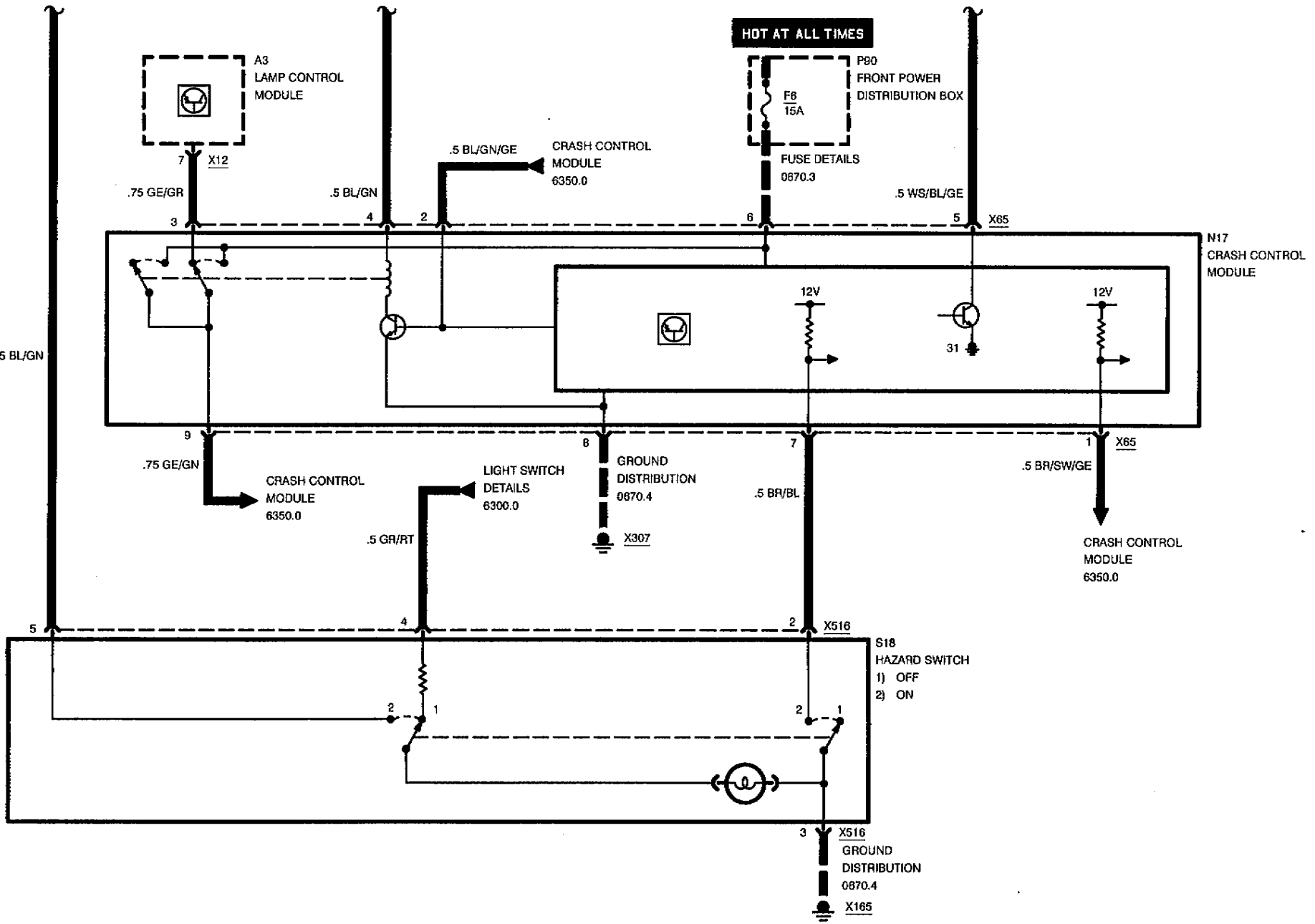
6312.0-07

95/96



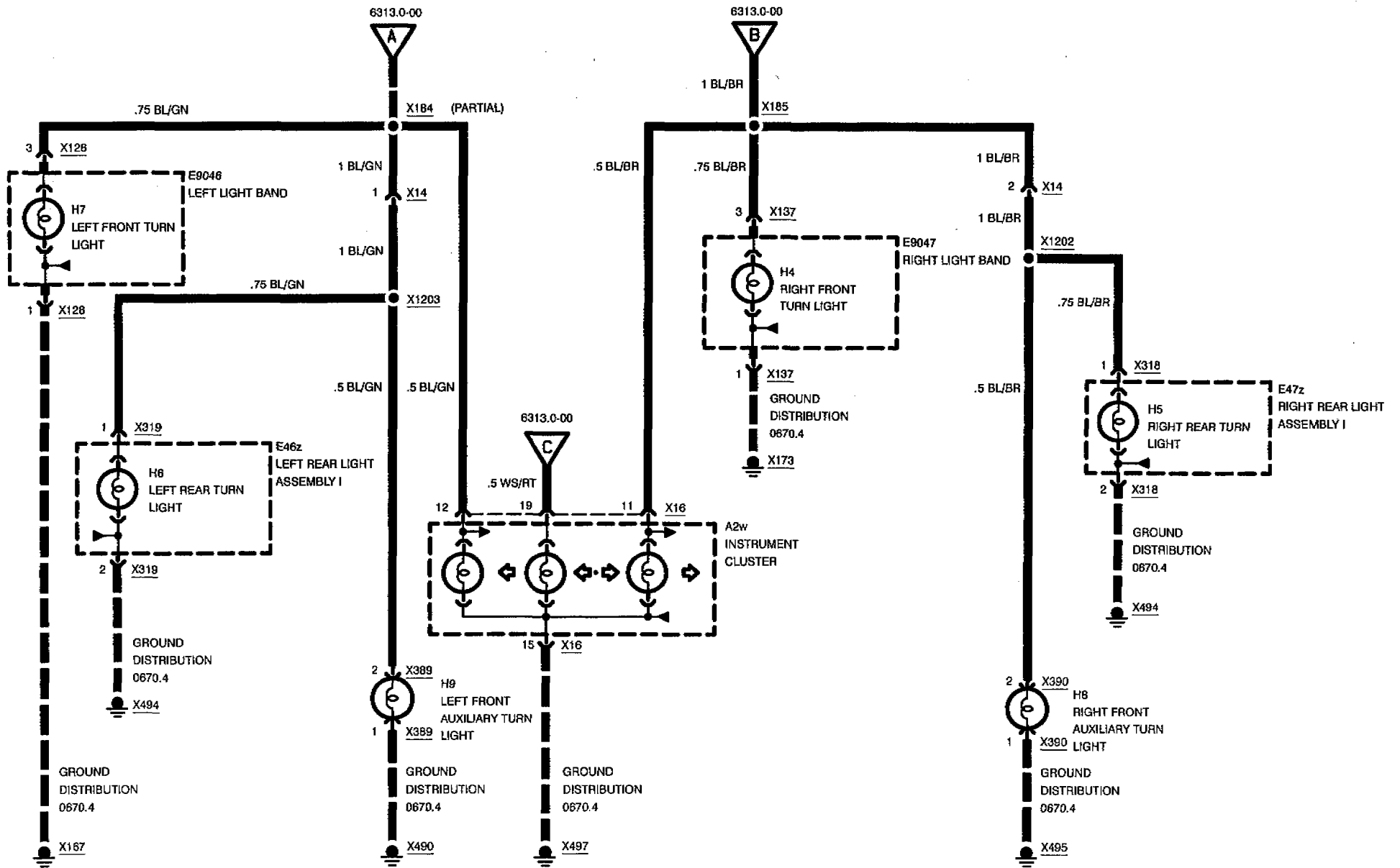
TURN/HAZARD LIGHTS







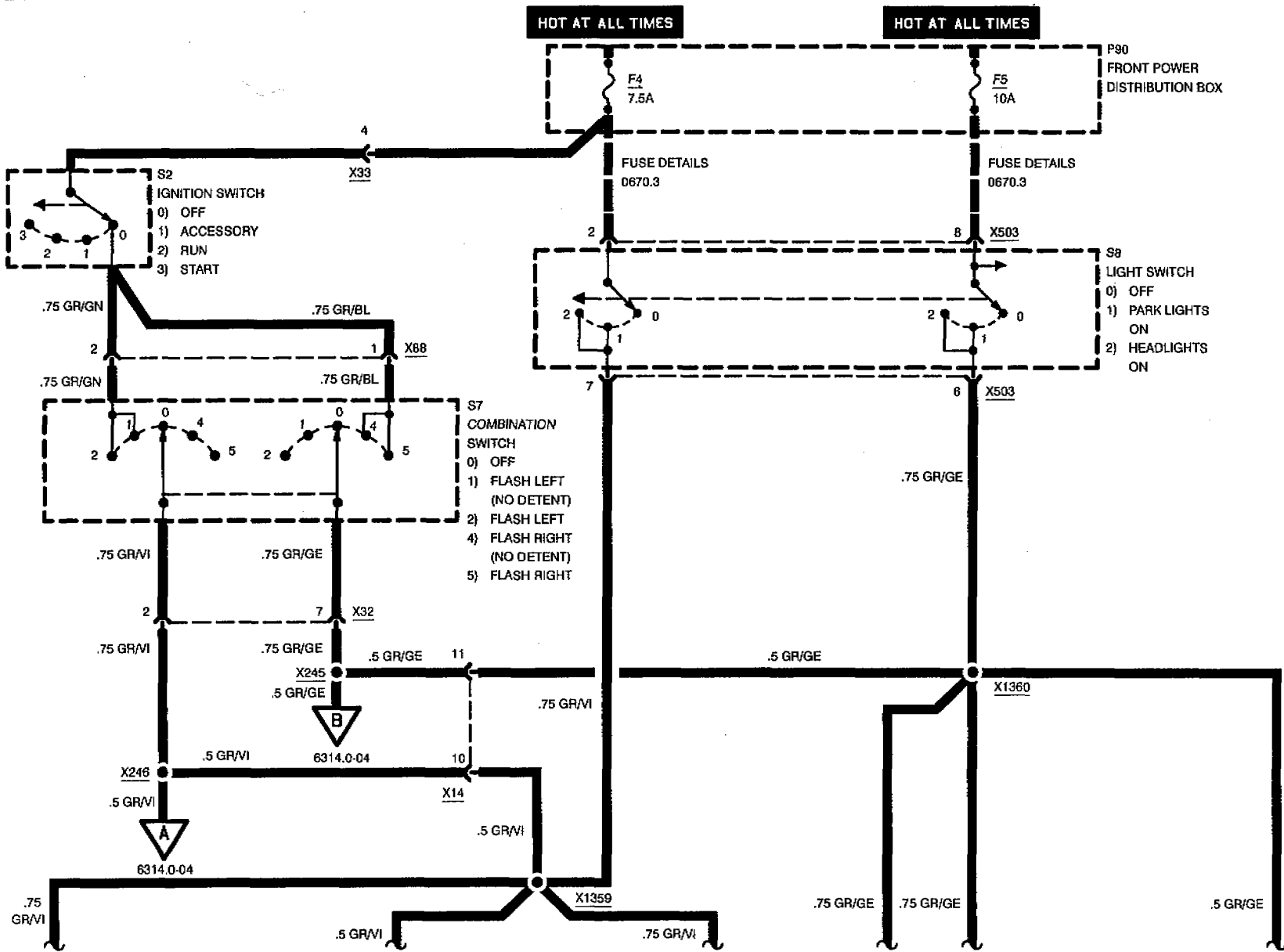
TURN/HAZARD LIGHTS







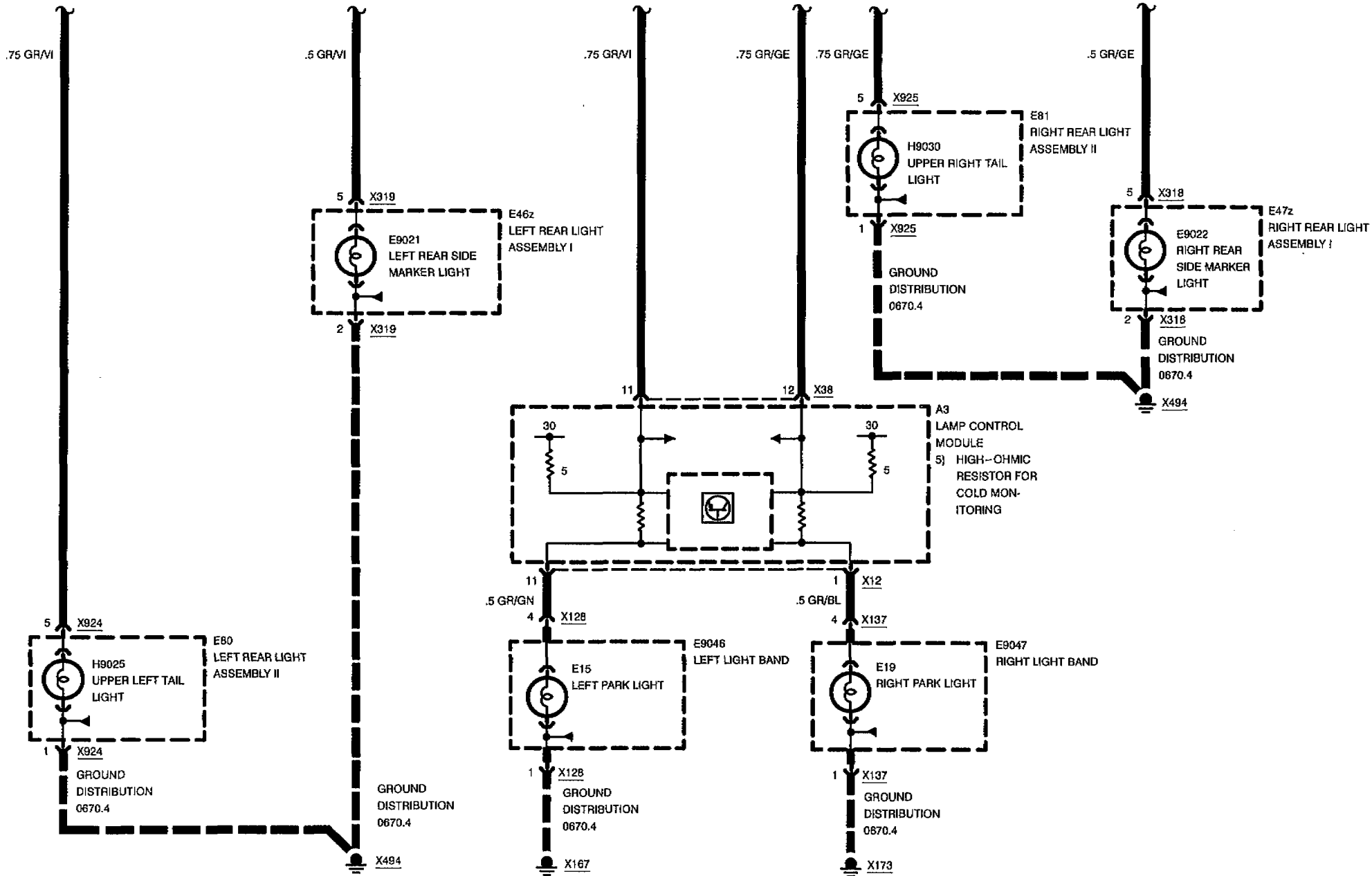
PARK/TAIL/UNDERHOOD LIGHTS



02/97

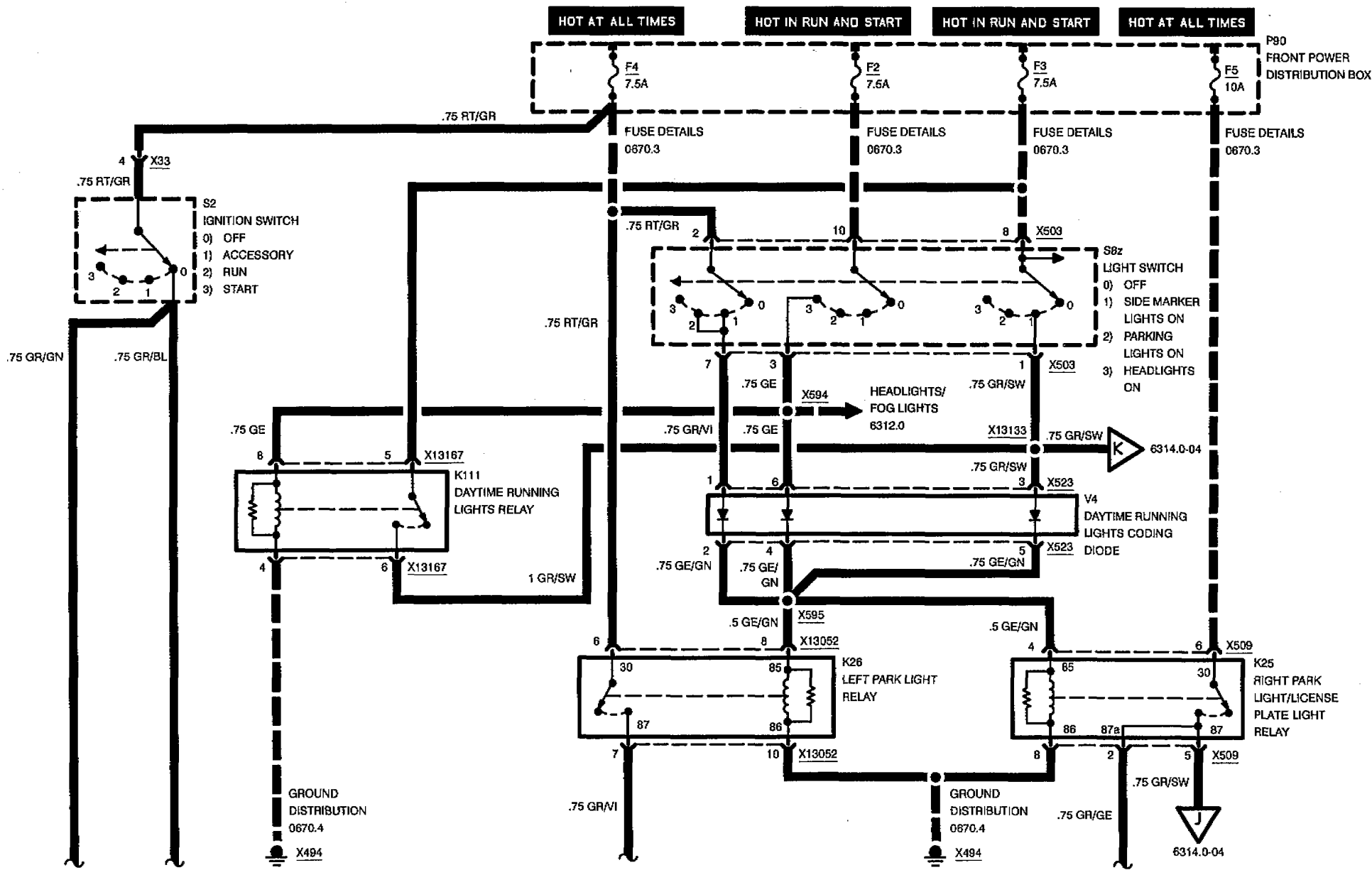
6314.0-00

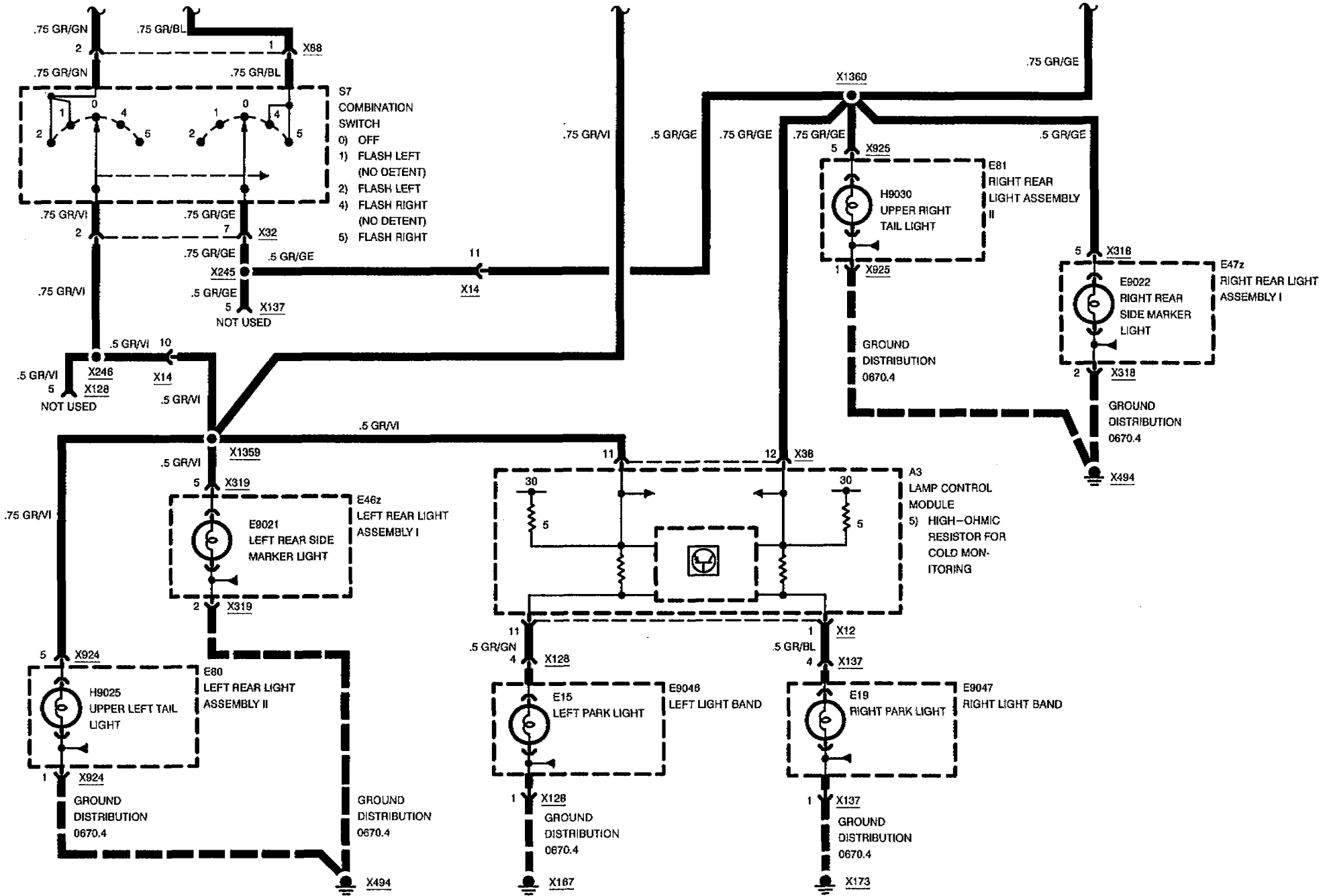
95/96





PARK/TAIL/UNDERHOOD LIGHTS



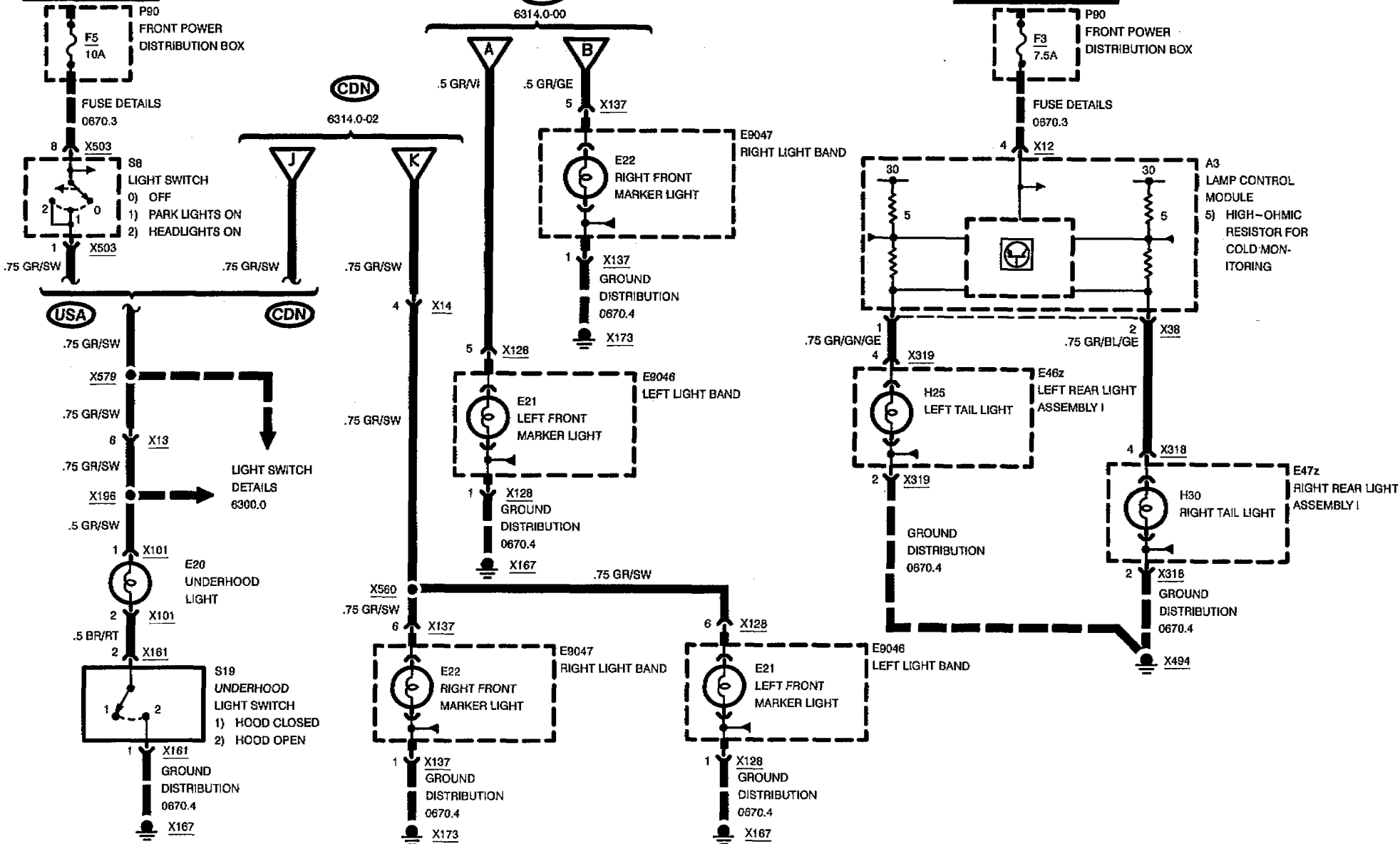


PARK/TAIL/UNDERHOOD LIGHTS

HOT AT ALL TIMES

USA

HOT IN RUN AND START

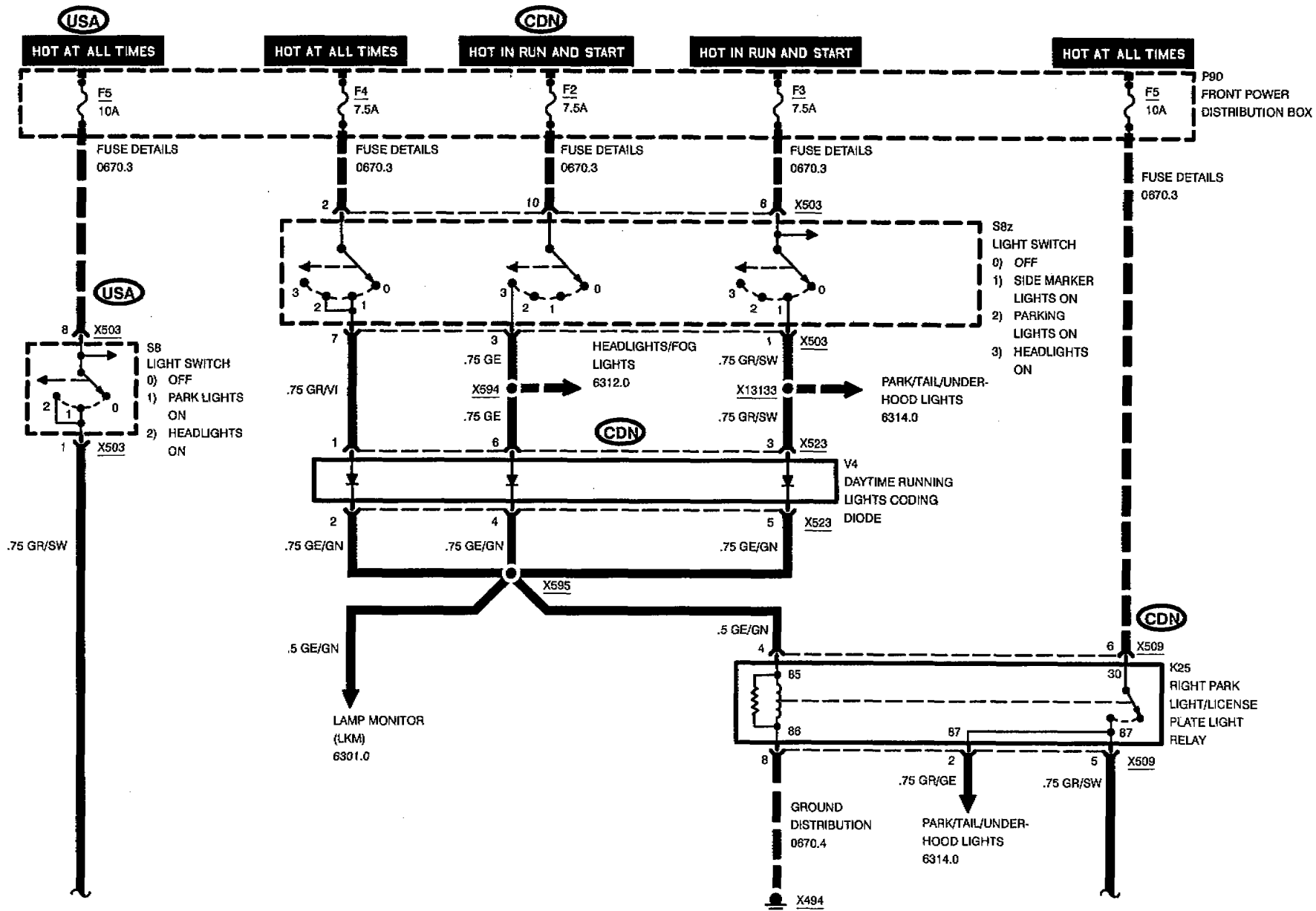


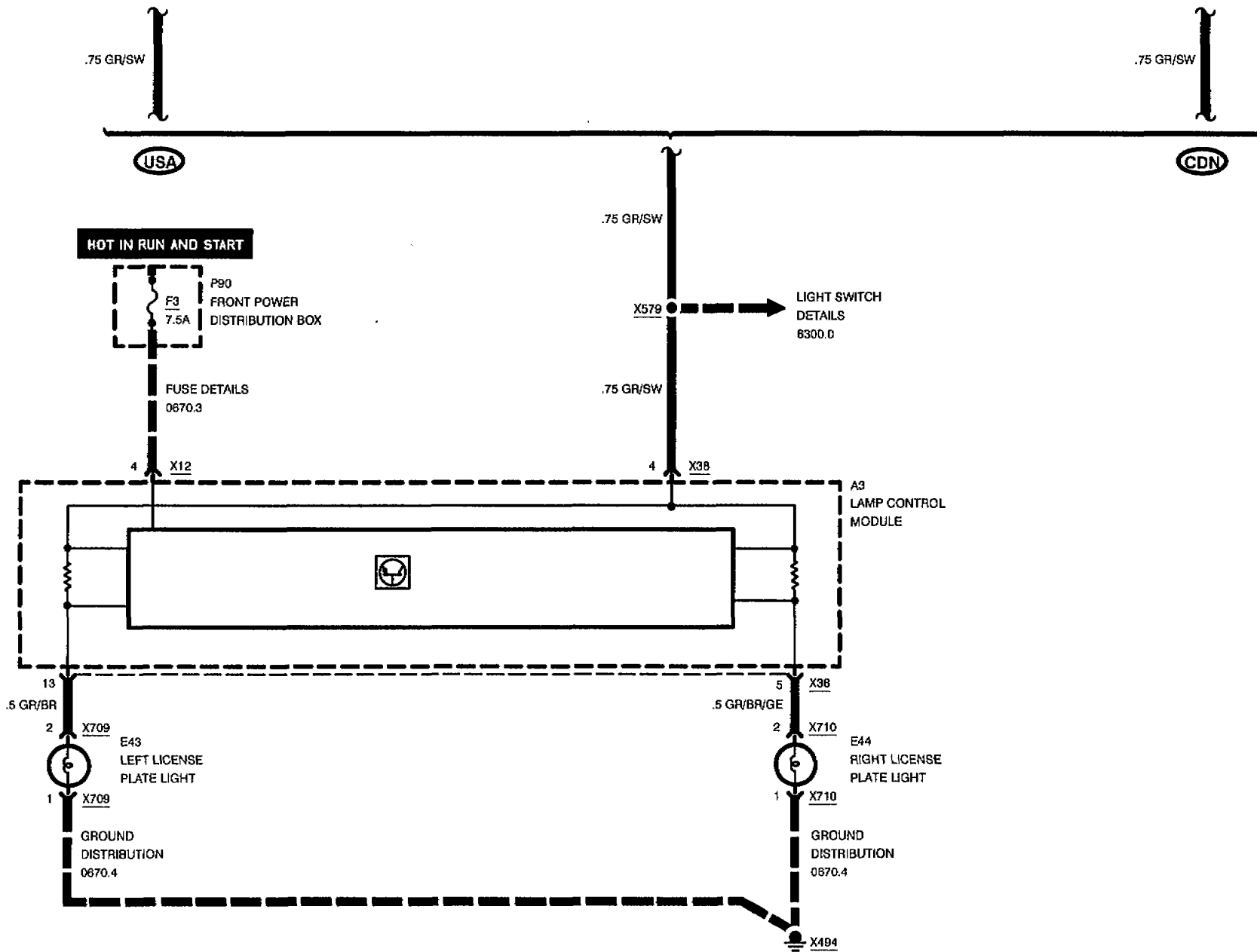




LICENSE PLATE/LUGGAGE COMPARTMENT LIGHTS

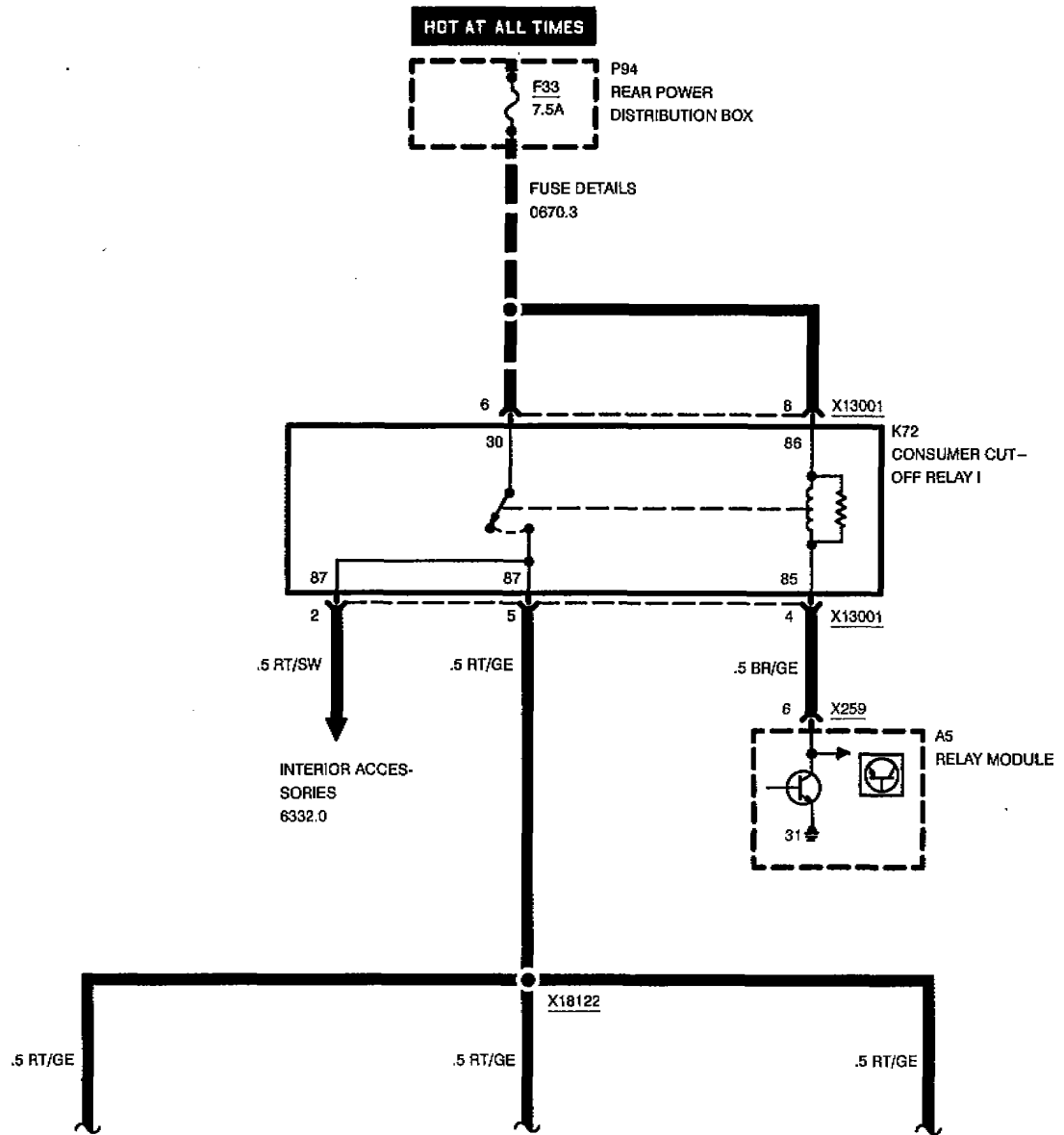
LICENSE PLATE LIGHTS

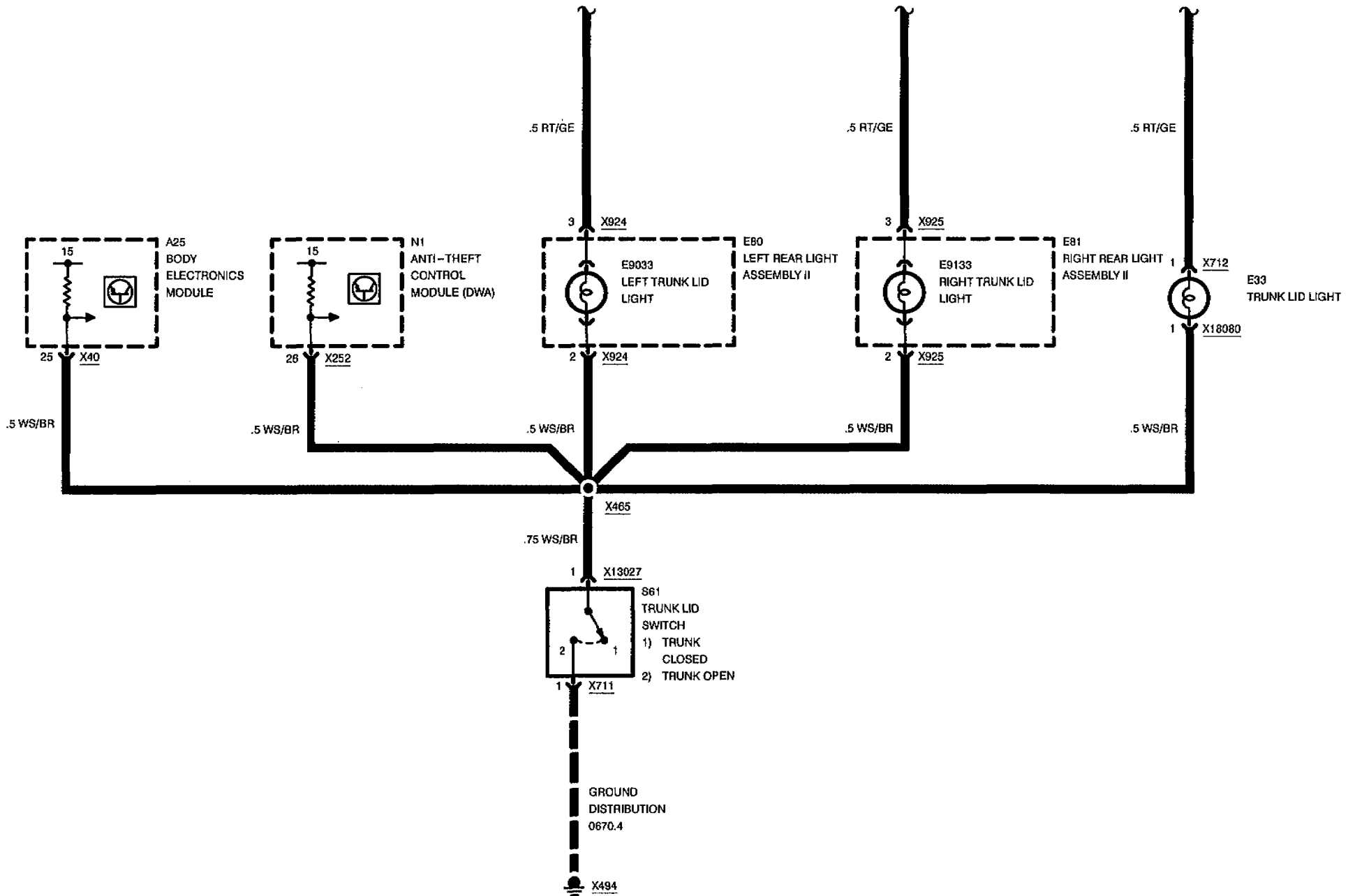






LICENSE PLATE/LUGGAGE COMPARTMENT LIGHTS

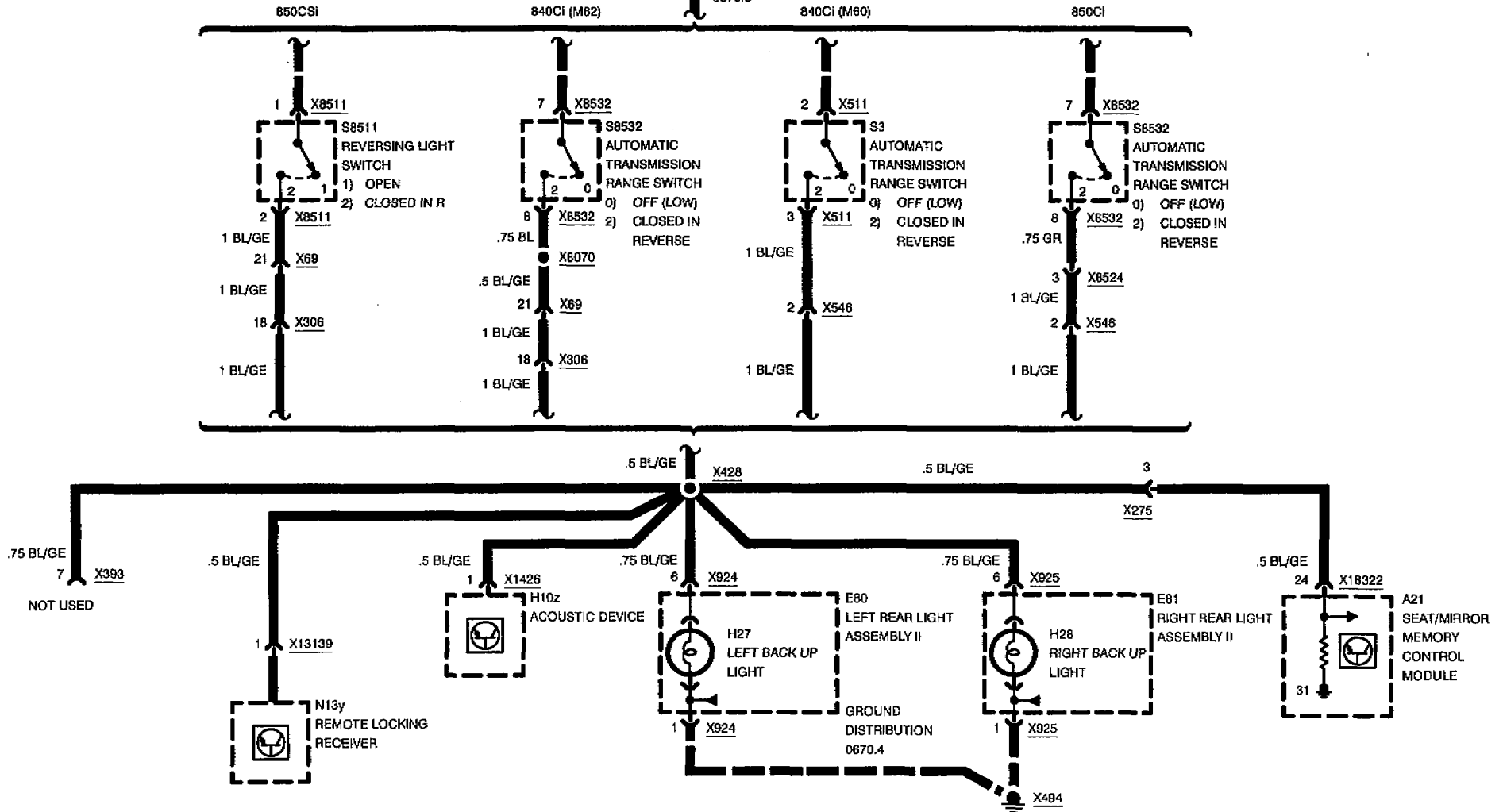
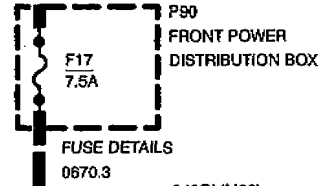






BACK UP LIGHTS

HOT IN RUN AND START

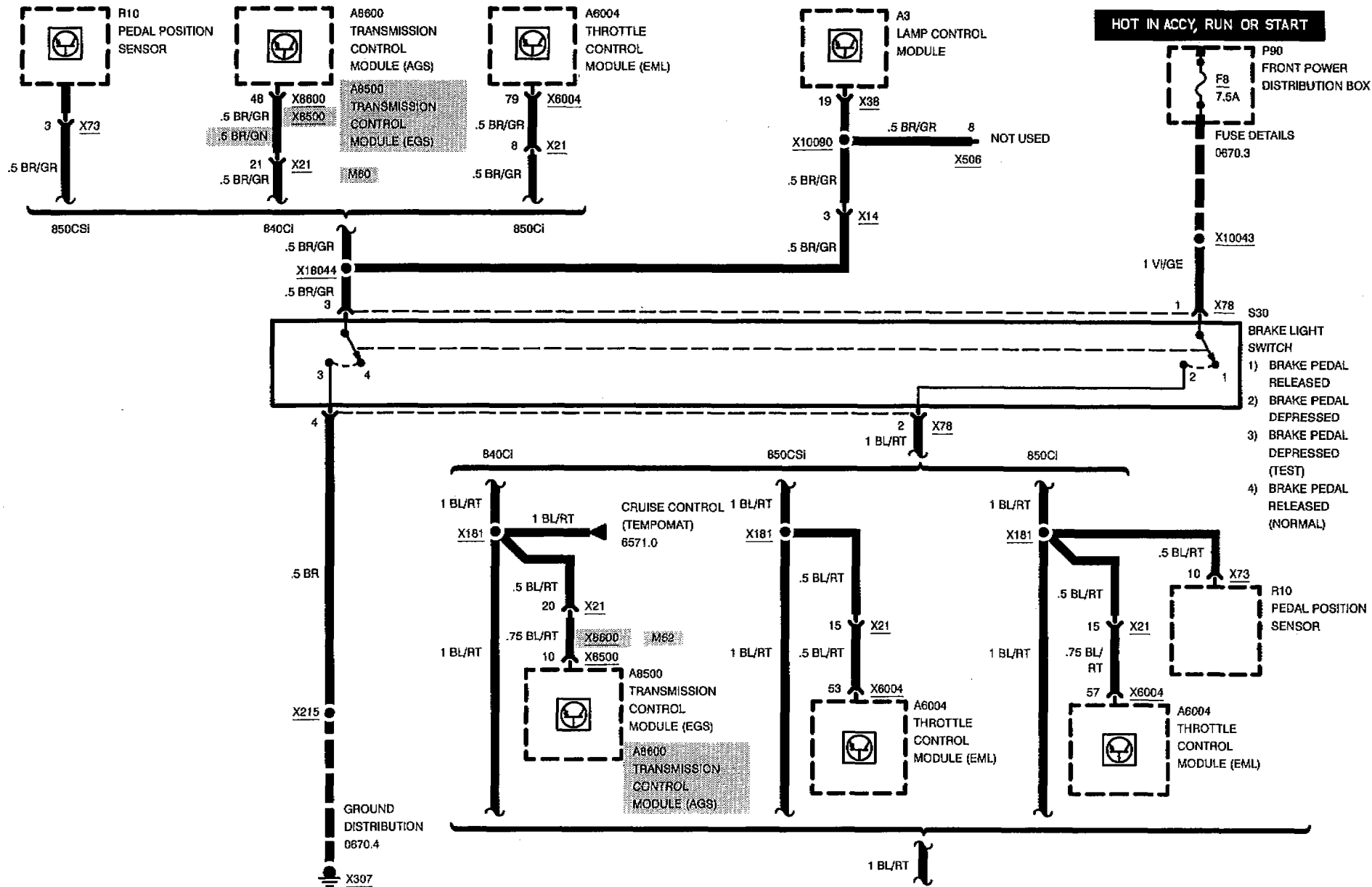


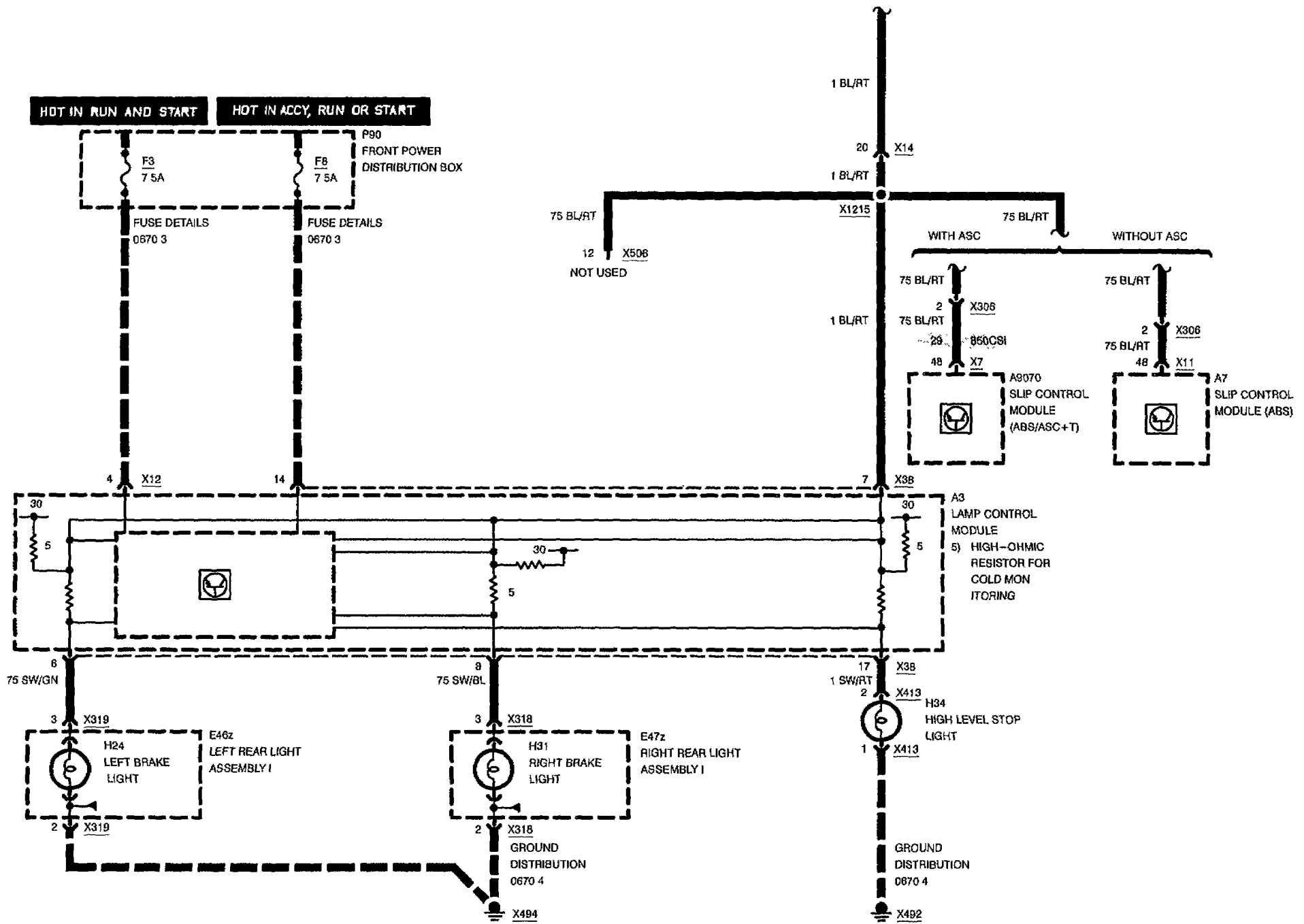
BMW
8

6325.0



BRAKE LIGHTS

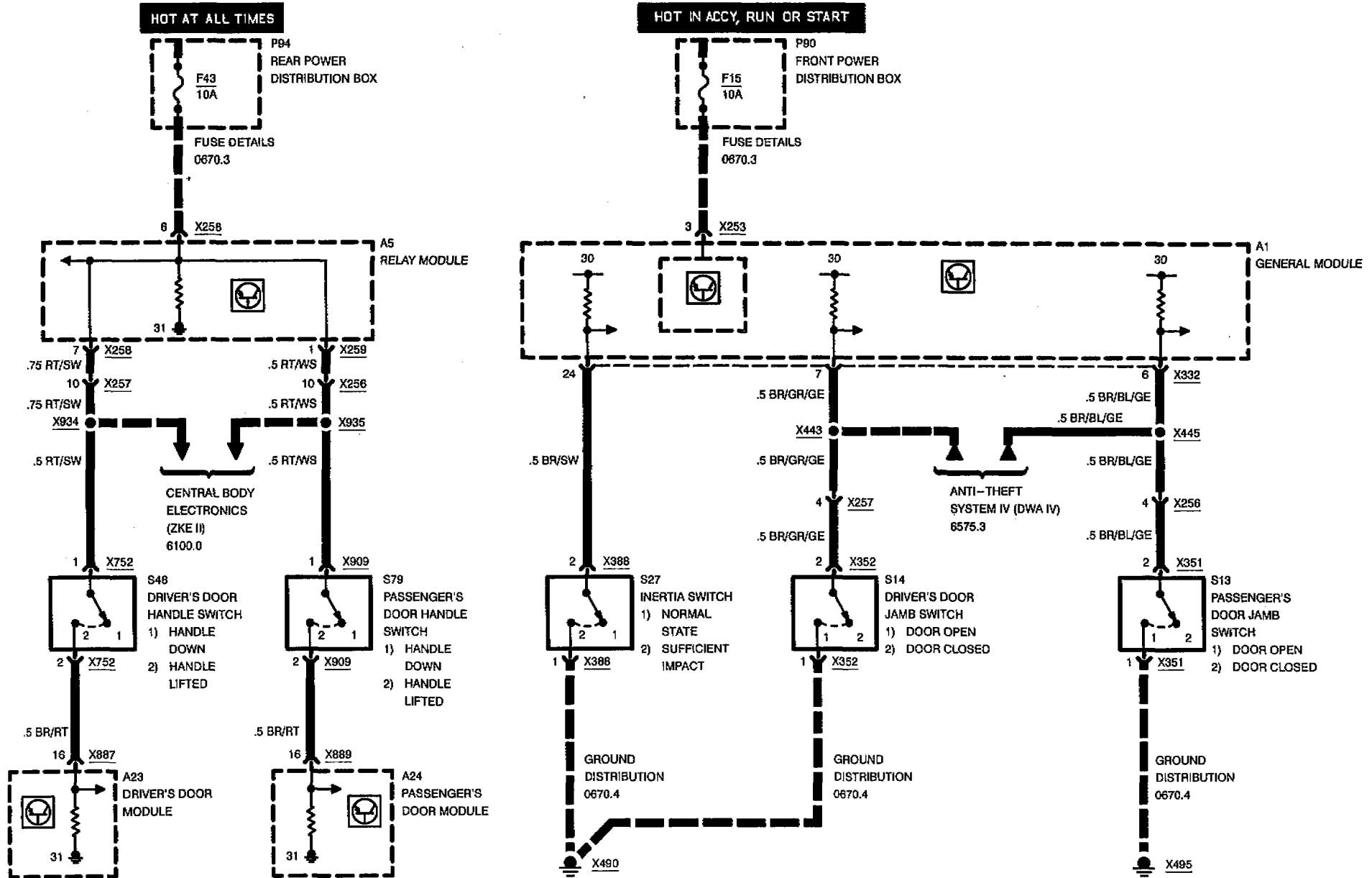




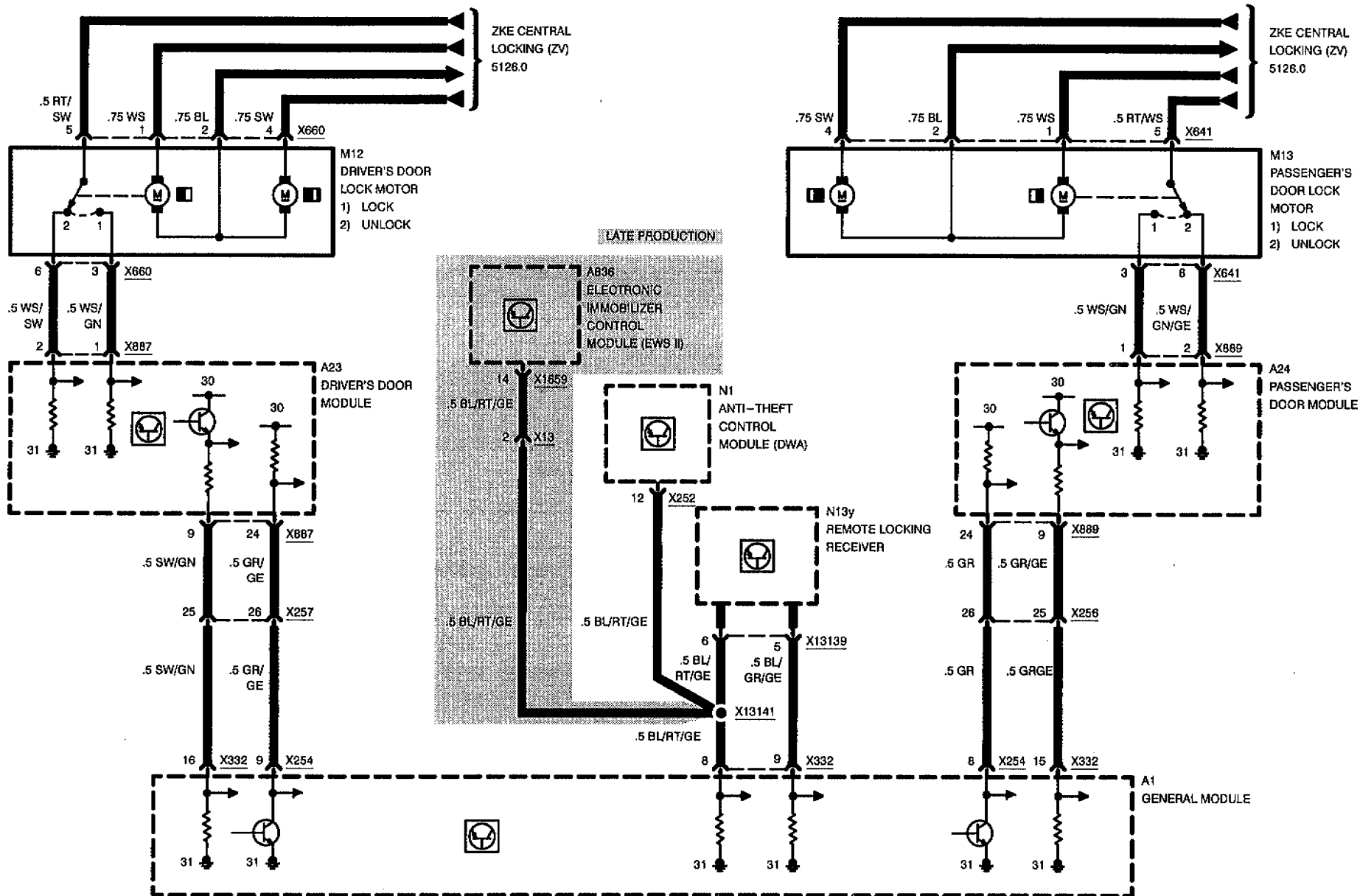


ZKE INTERIOR LIGHTS (IB)

(INPUTS)

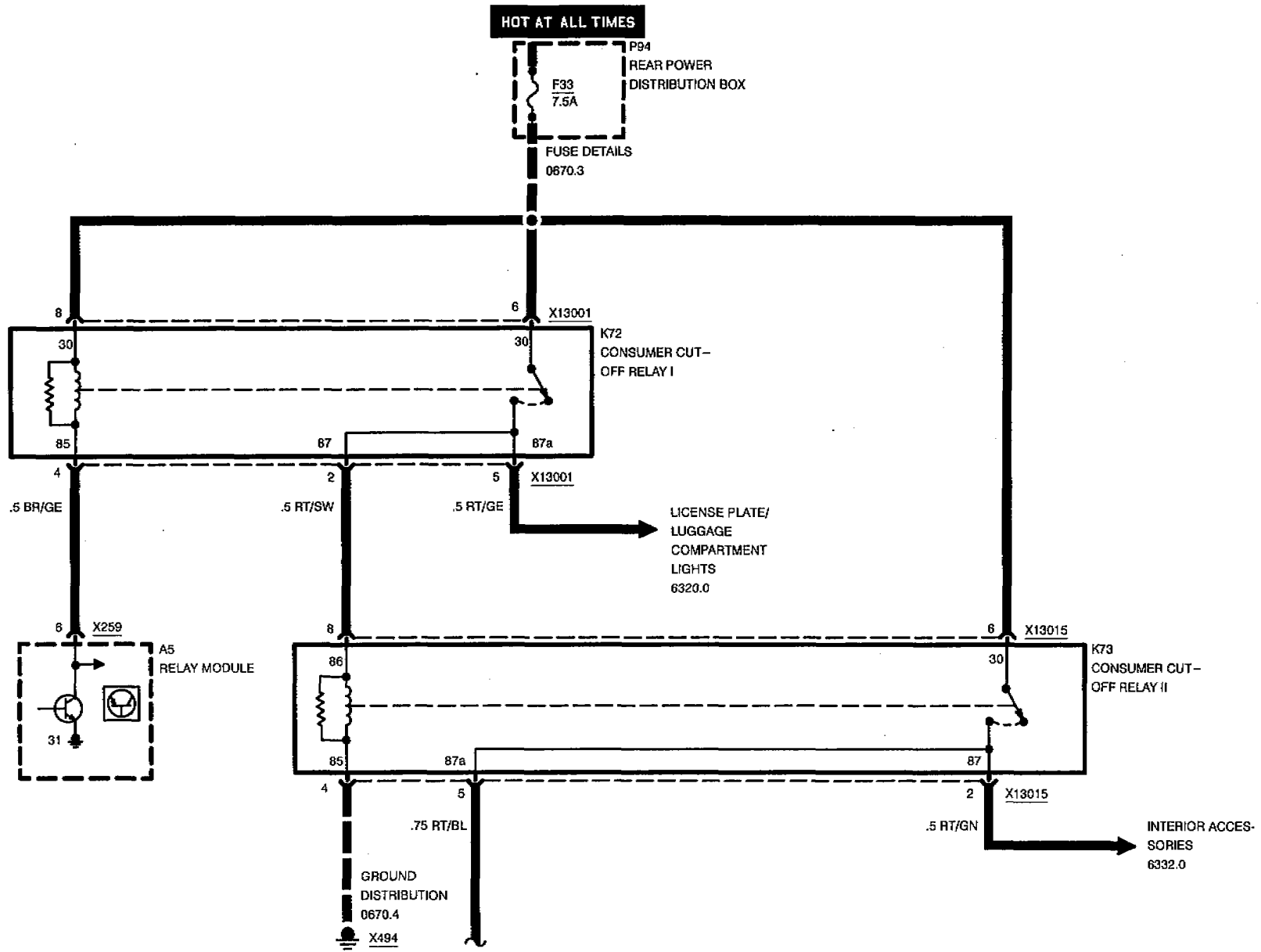


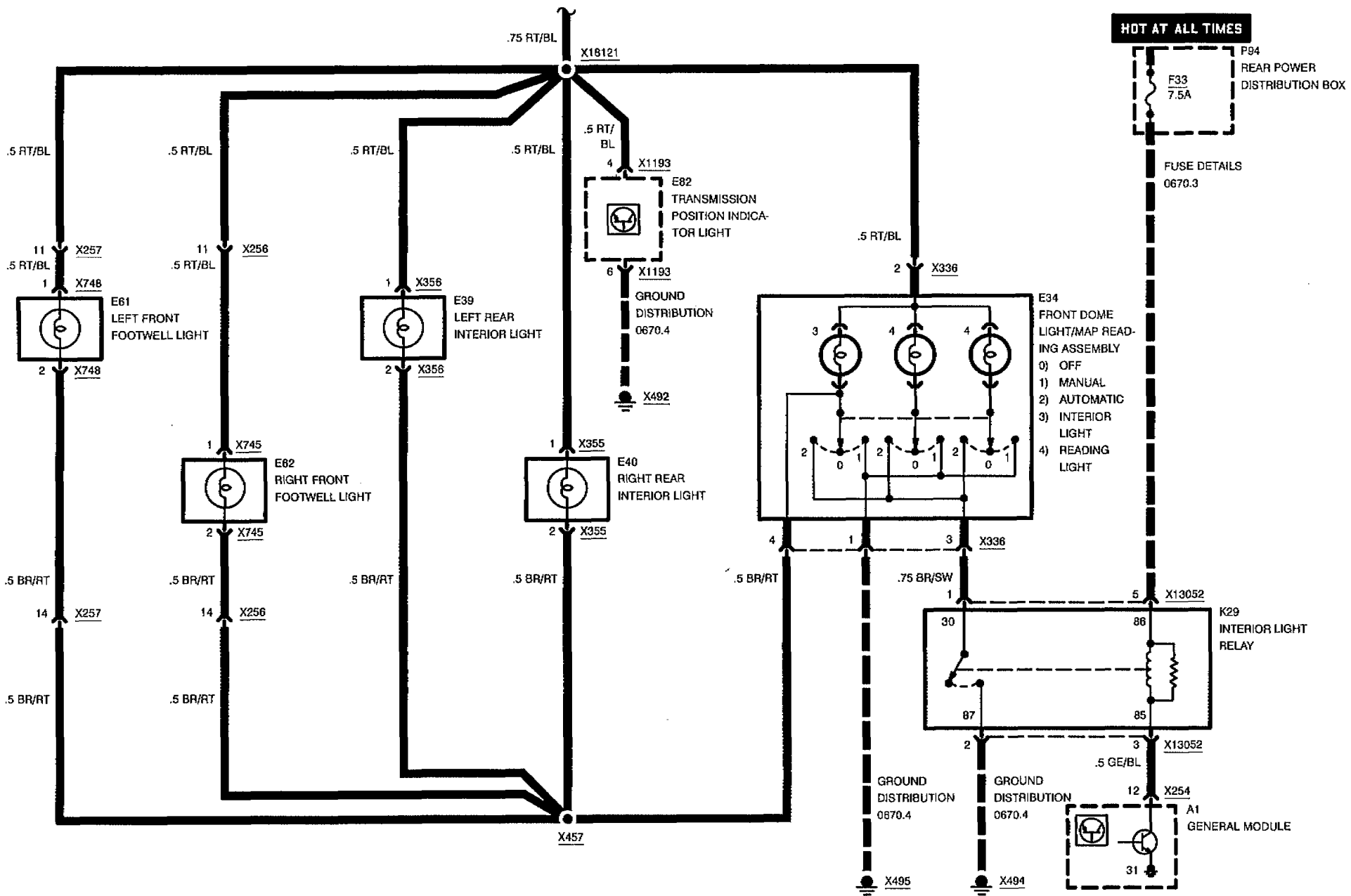
BMW 8 ZKE INTERIOR LIGHTS (IB)
(INPUTS)





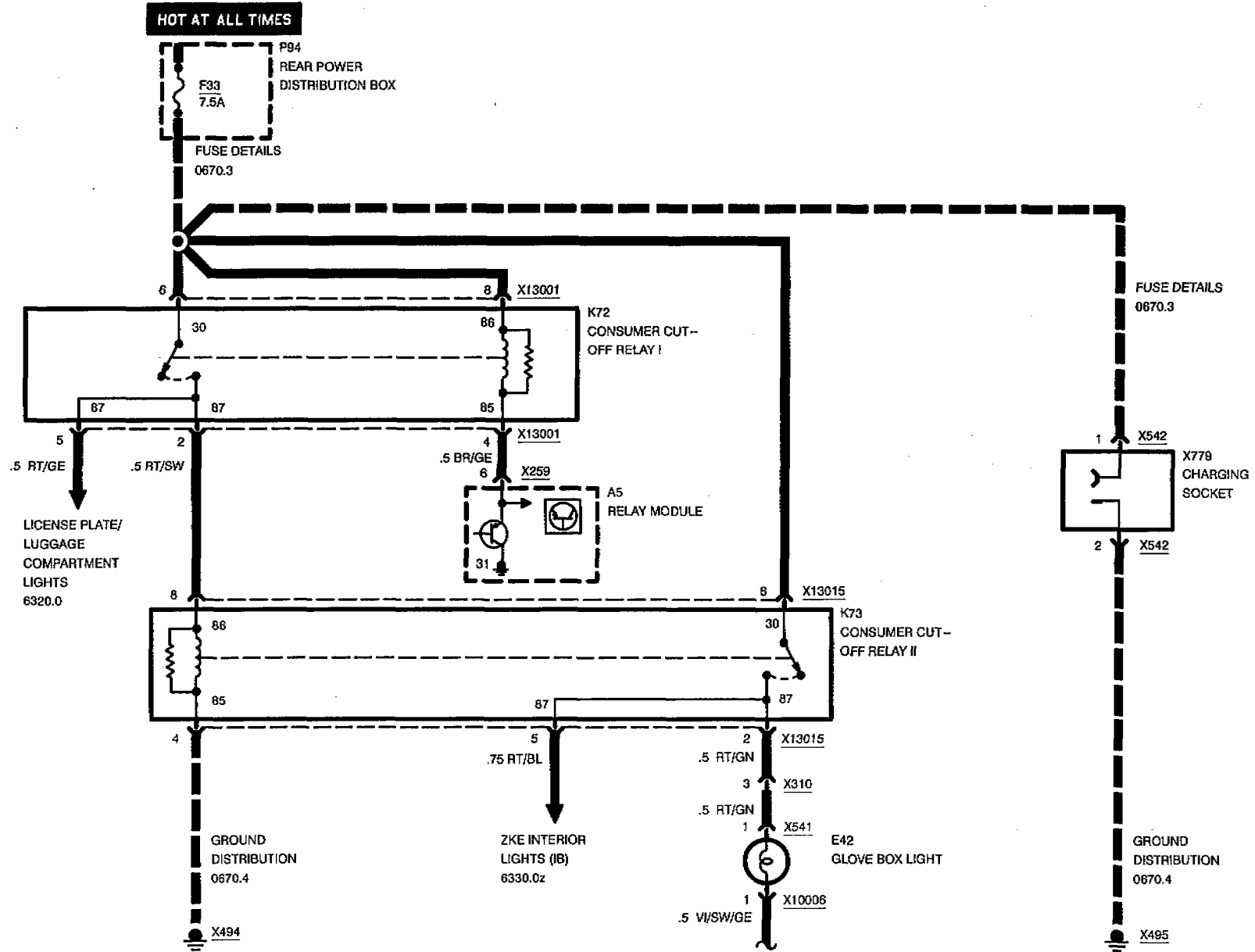
ZKE INTERIOR LIGHTS (IB)

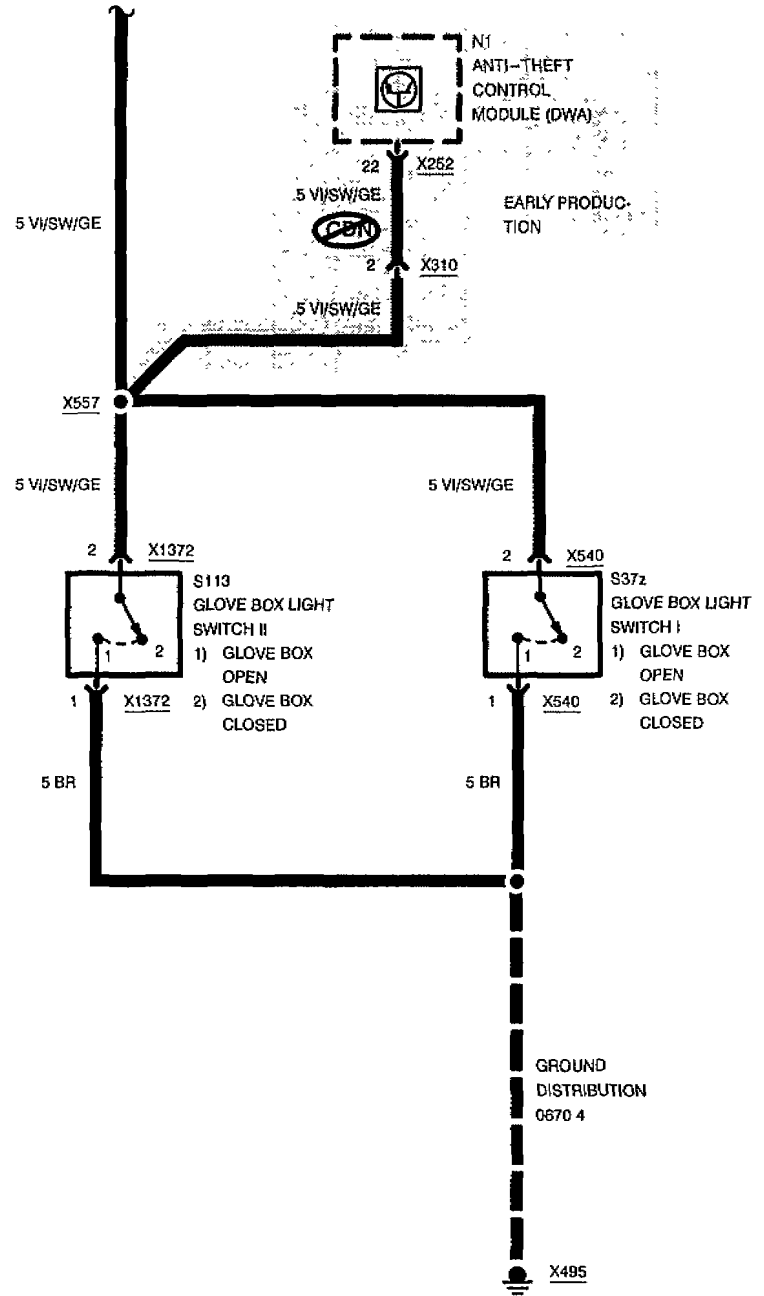
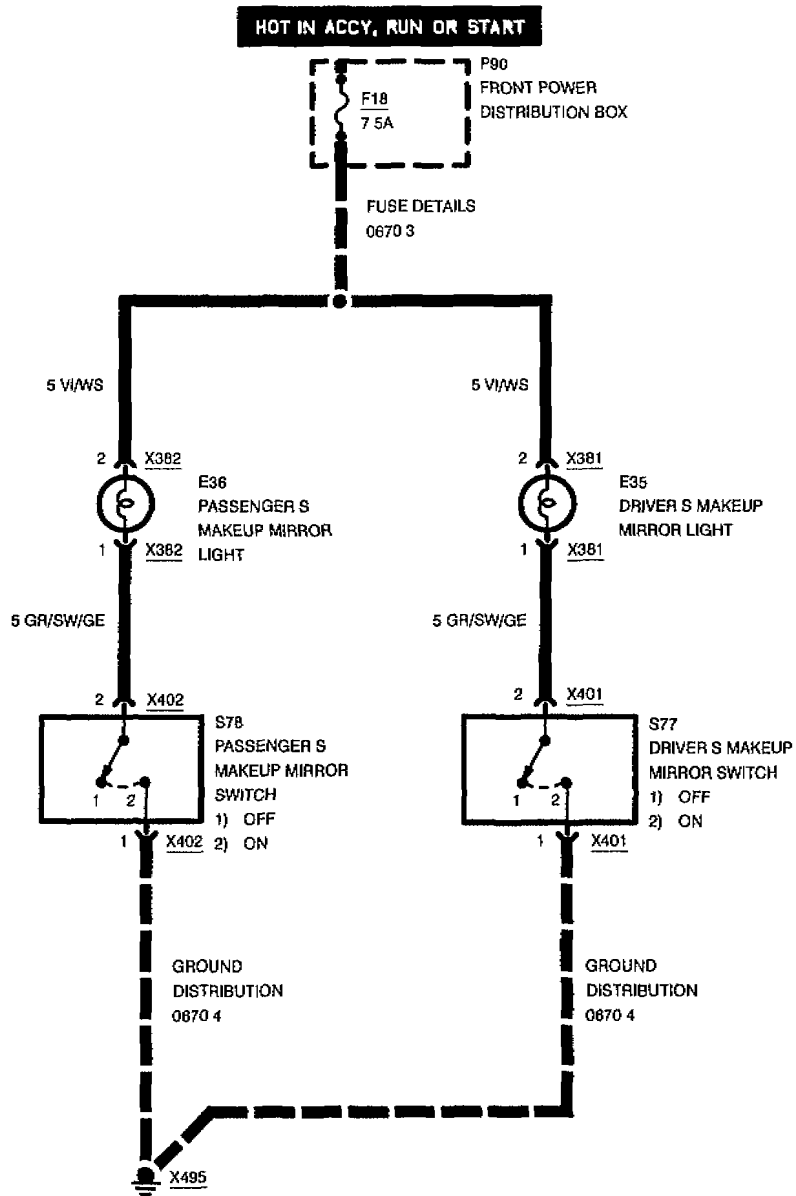


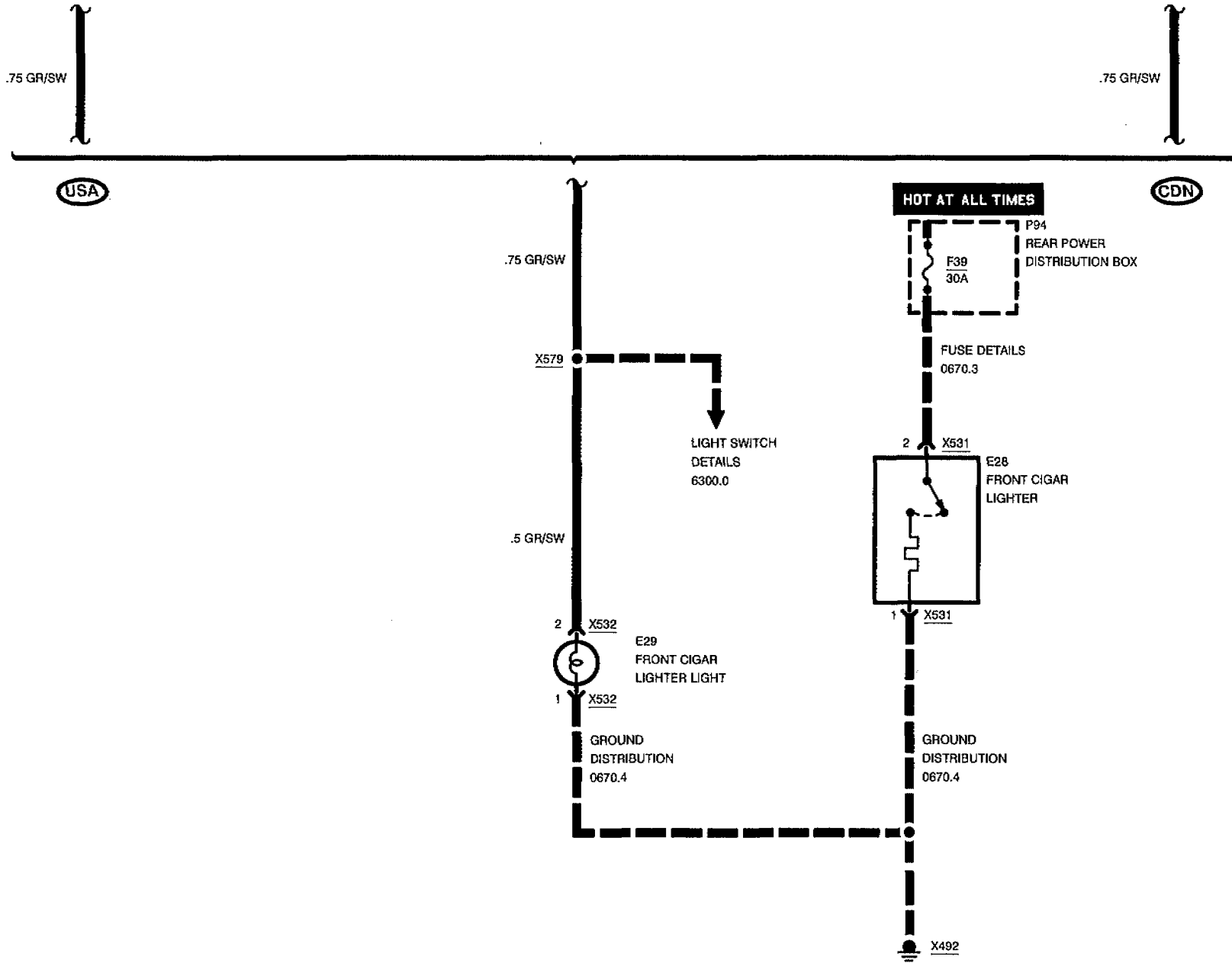




INTERIOR ACCESSORIES

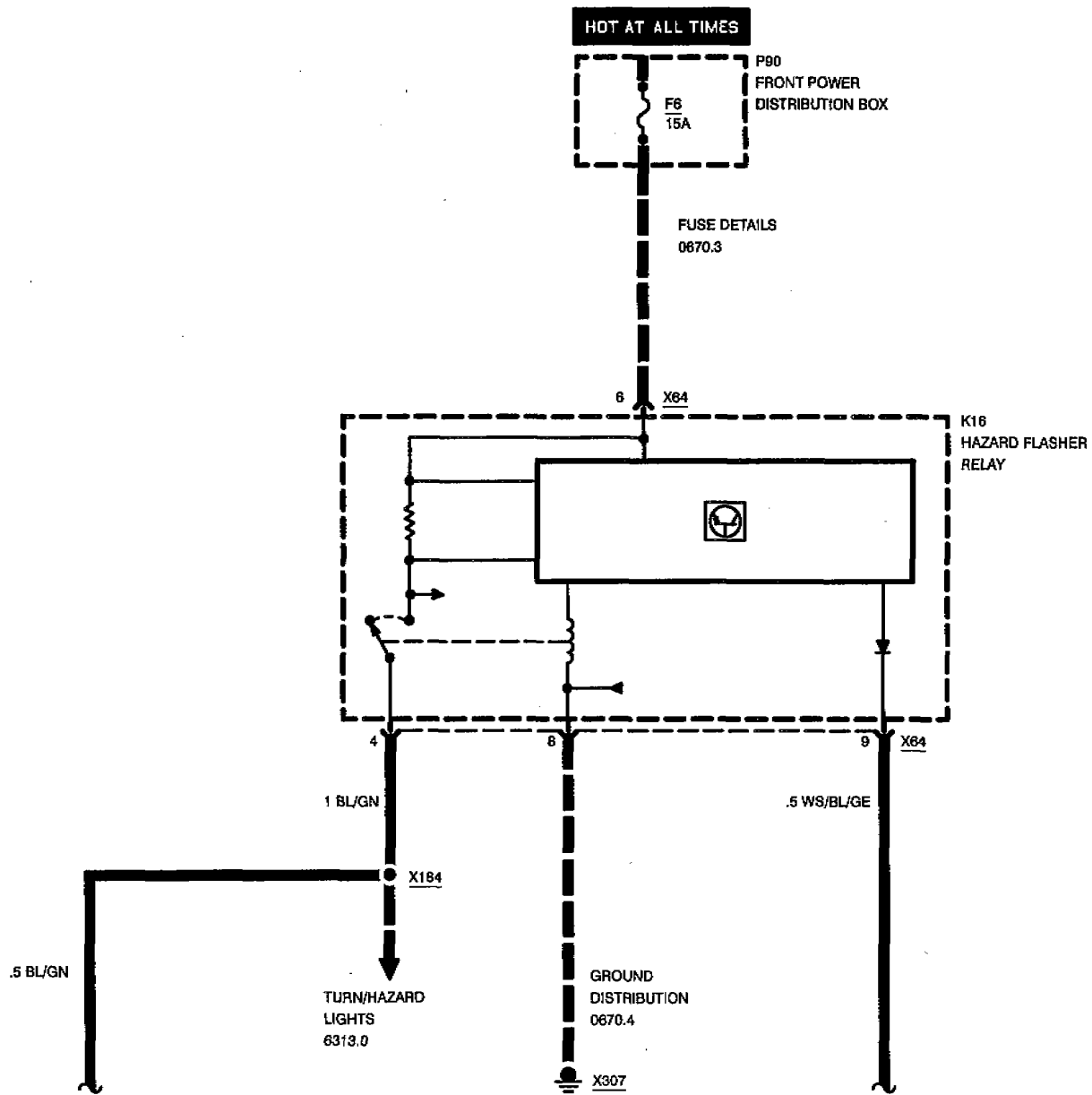


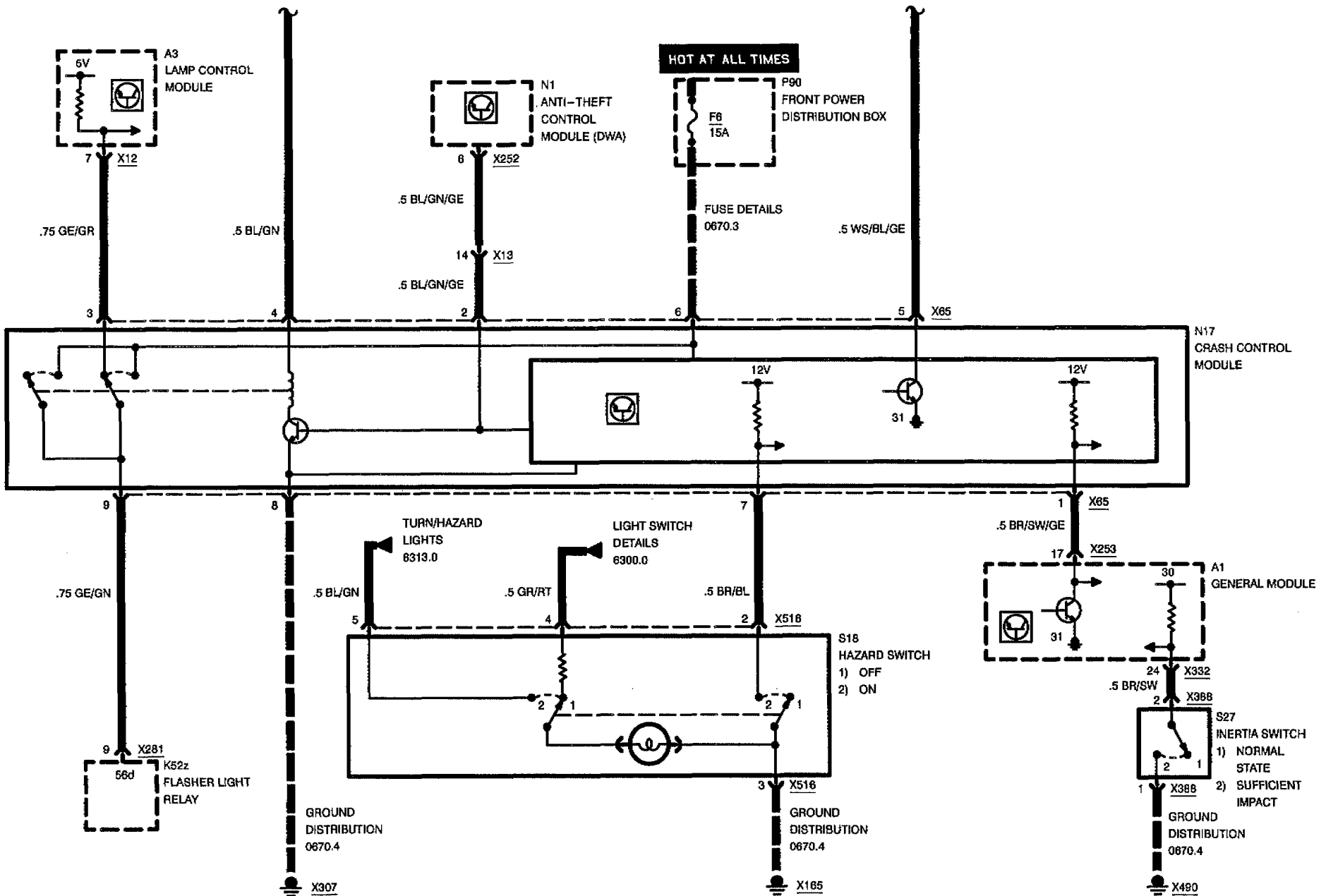






CRASH CONTROL MODULE







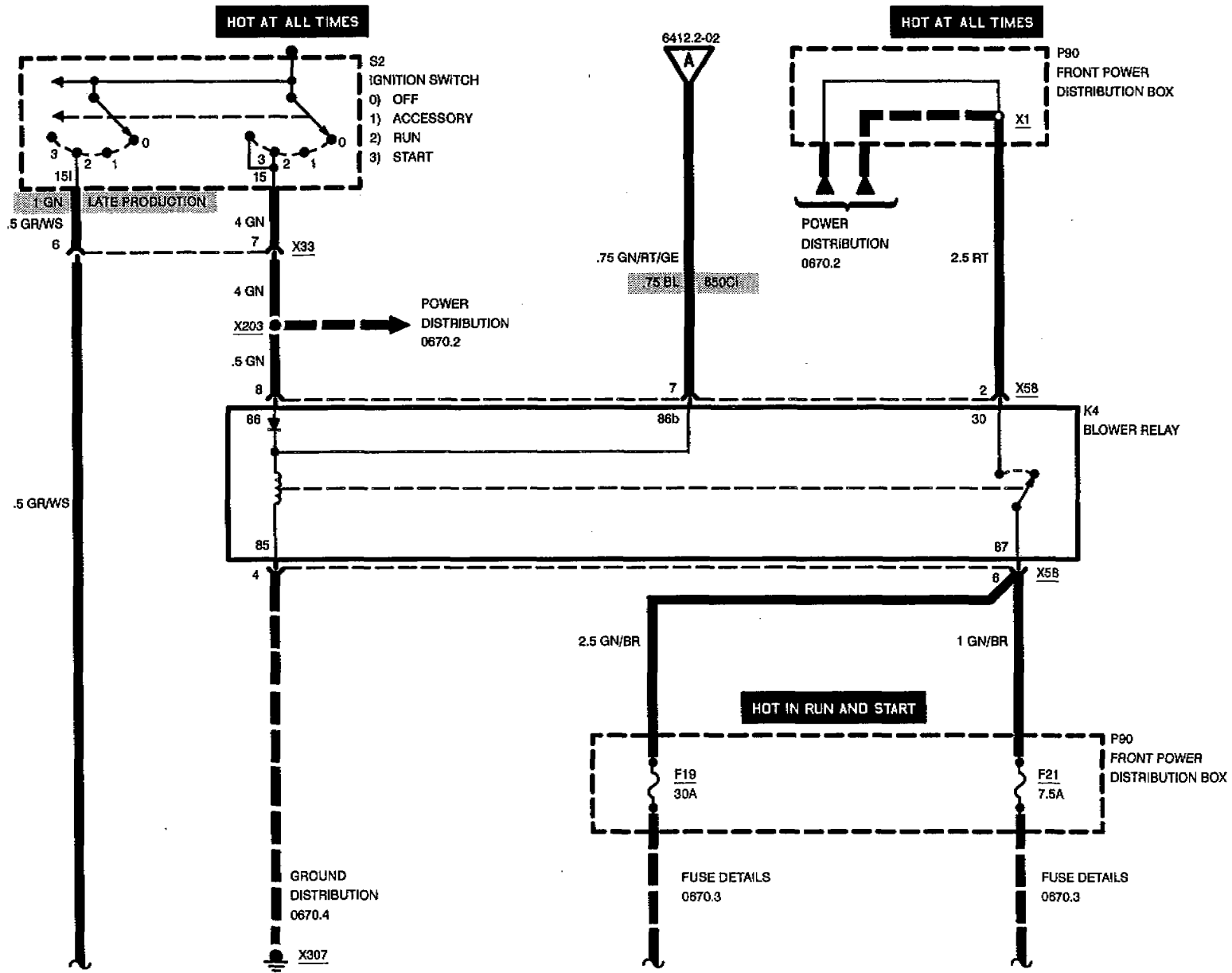
6350.0-02

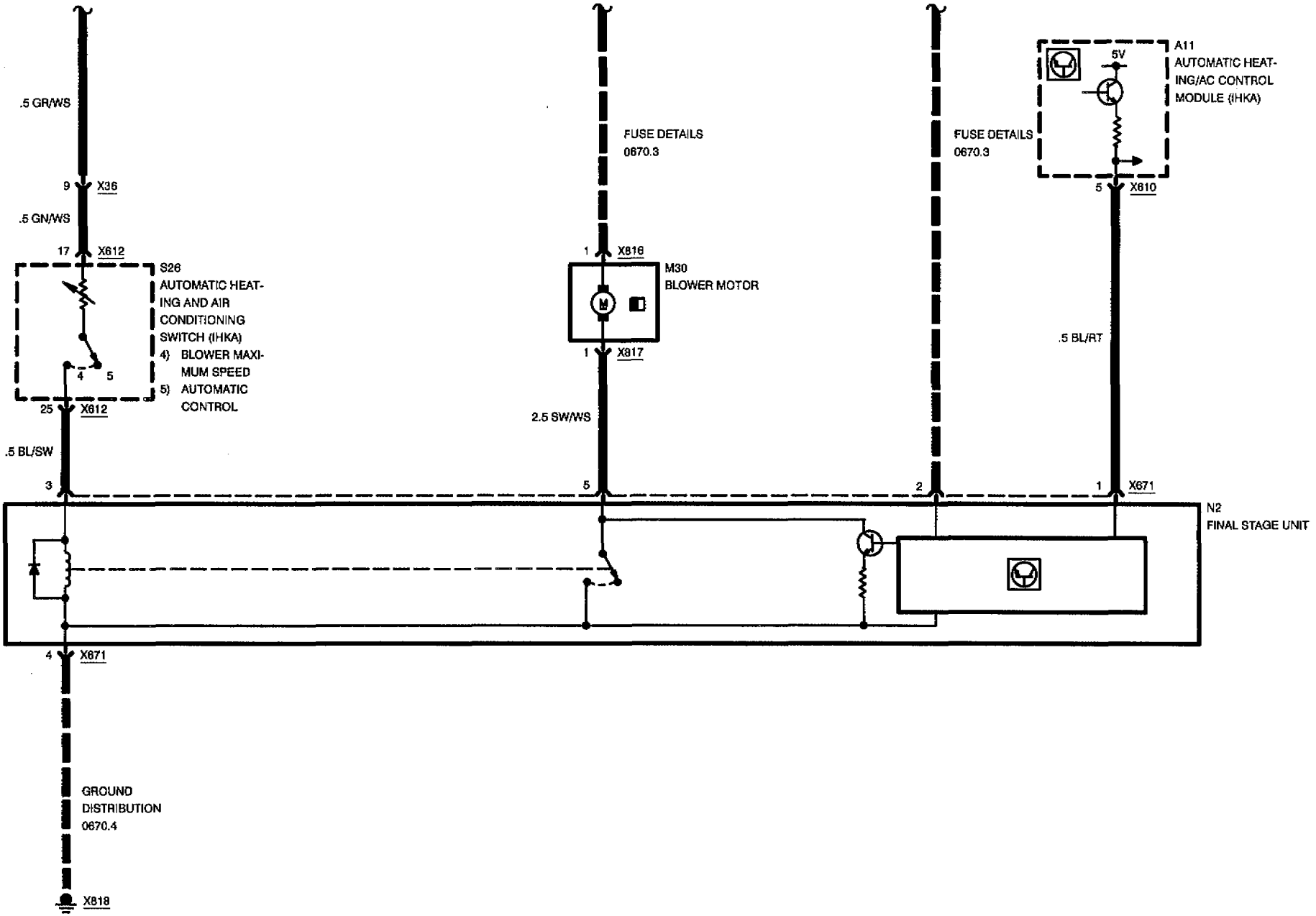


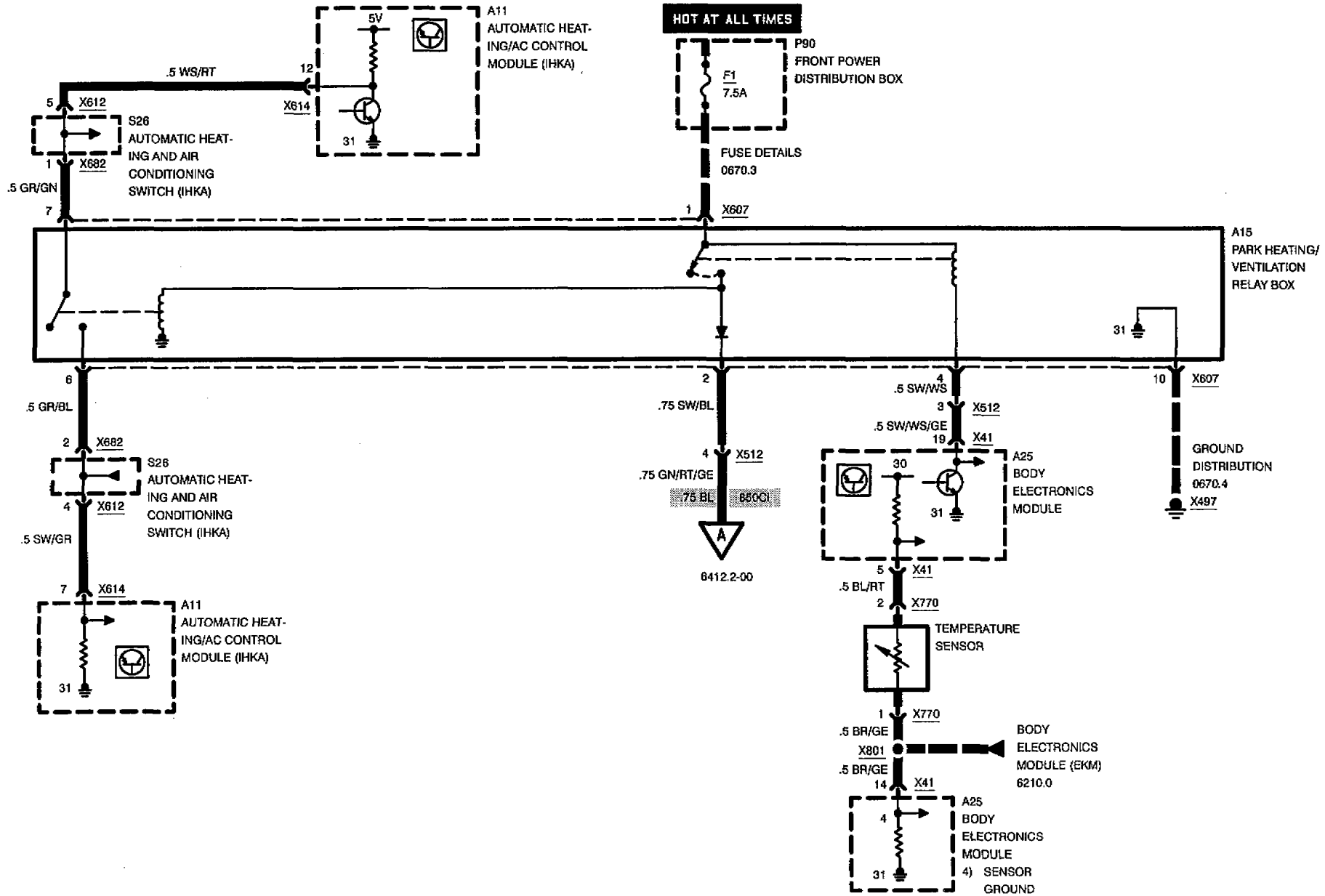
6412.2



PARK VENTILATION WITH IHKA







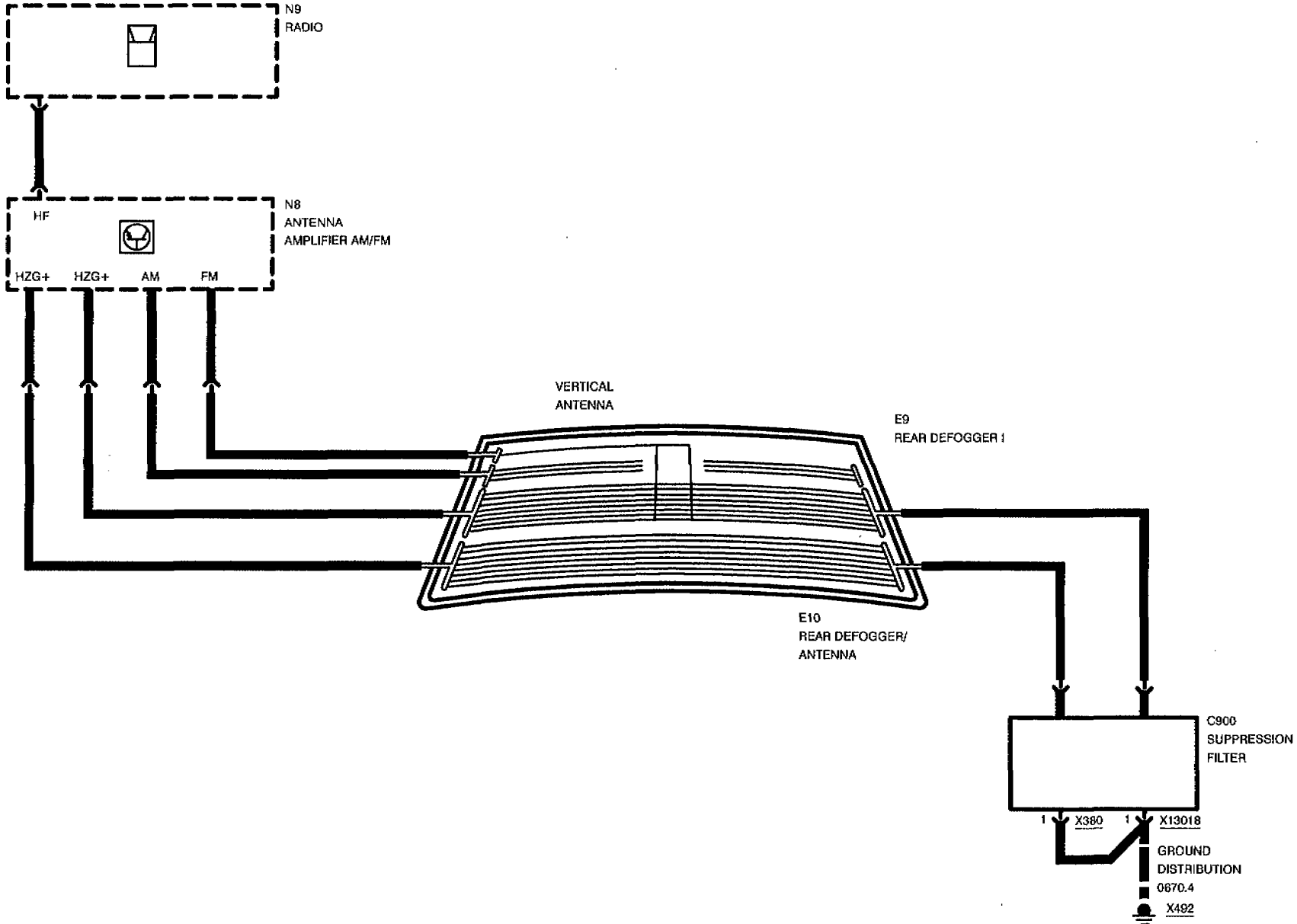
BMW
8

6424.0



REAR WINDOW DEFOGGER/ANTENNA

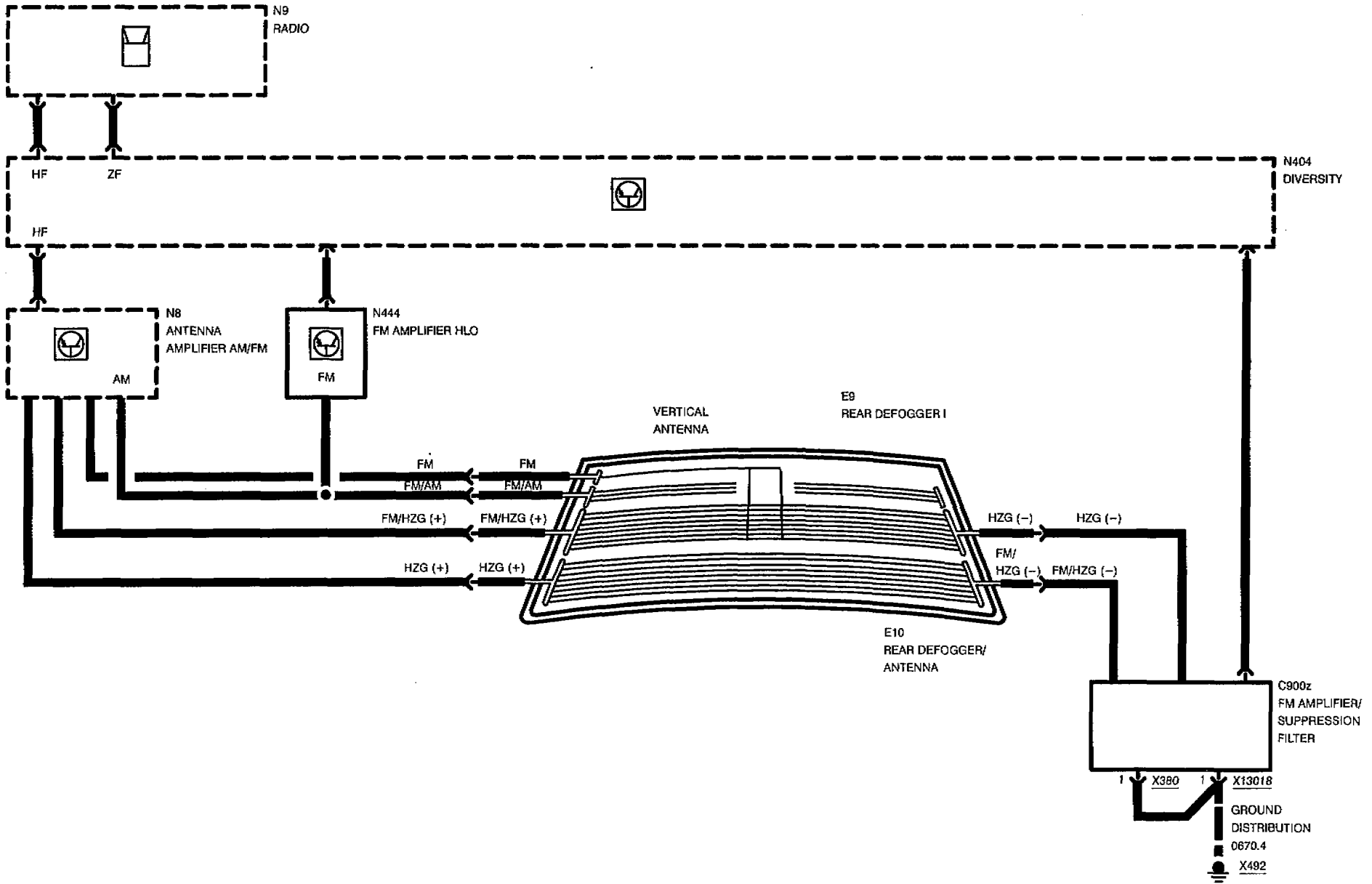
REAR WINDOW ANTENNA

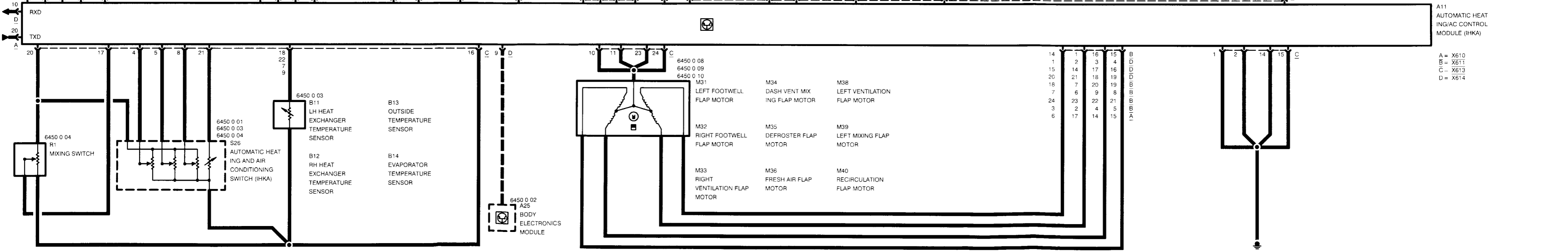
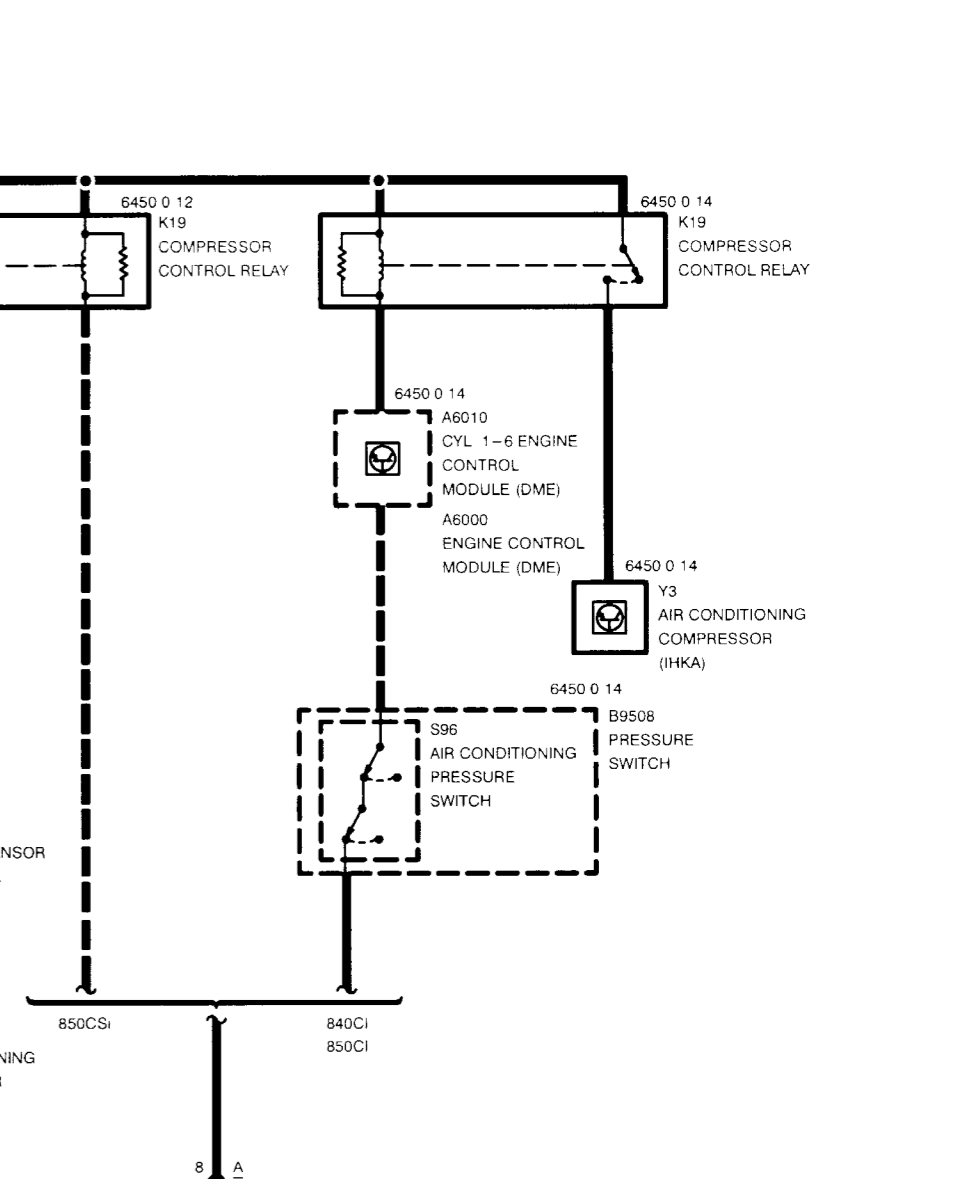
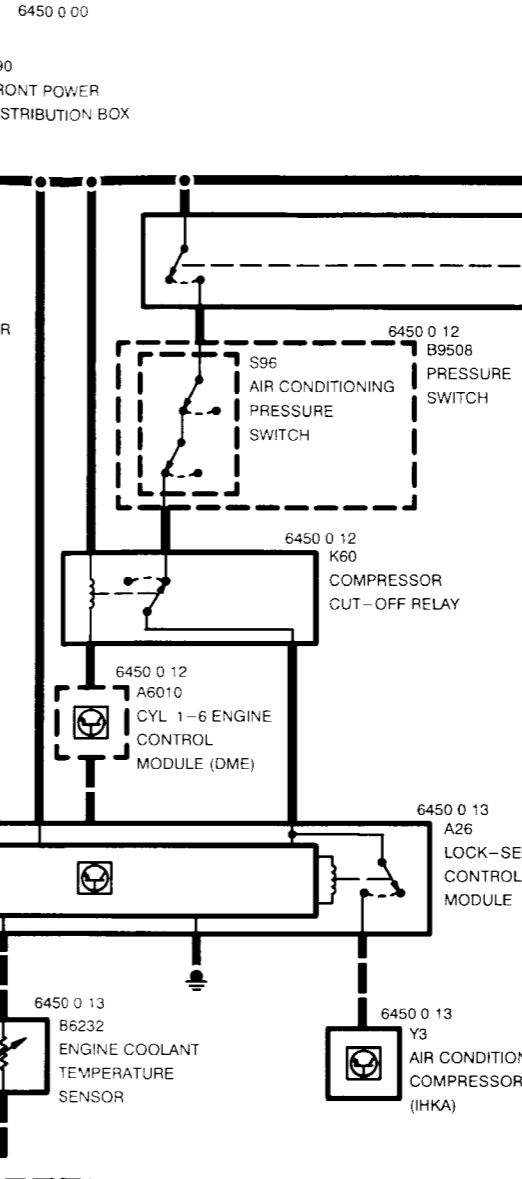
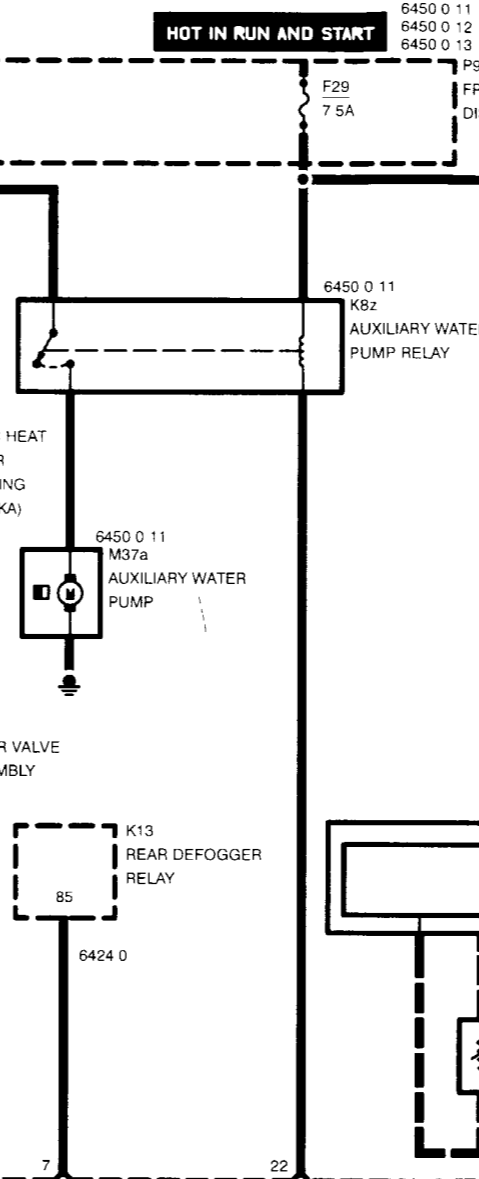
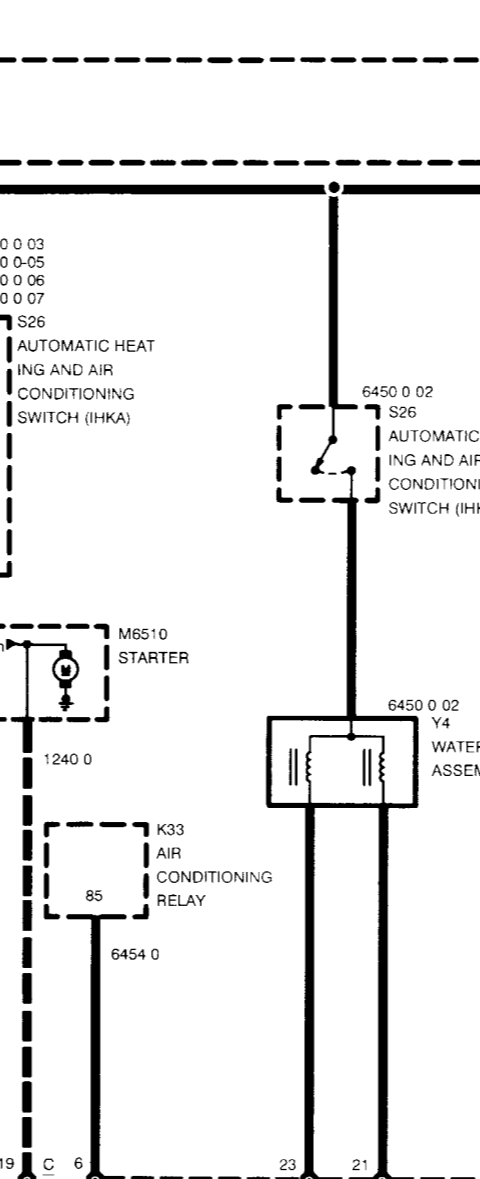
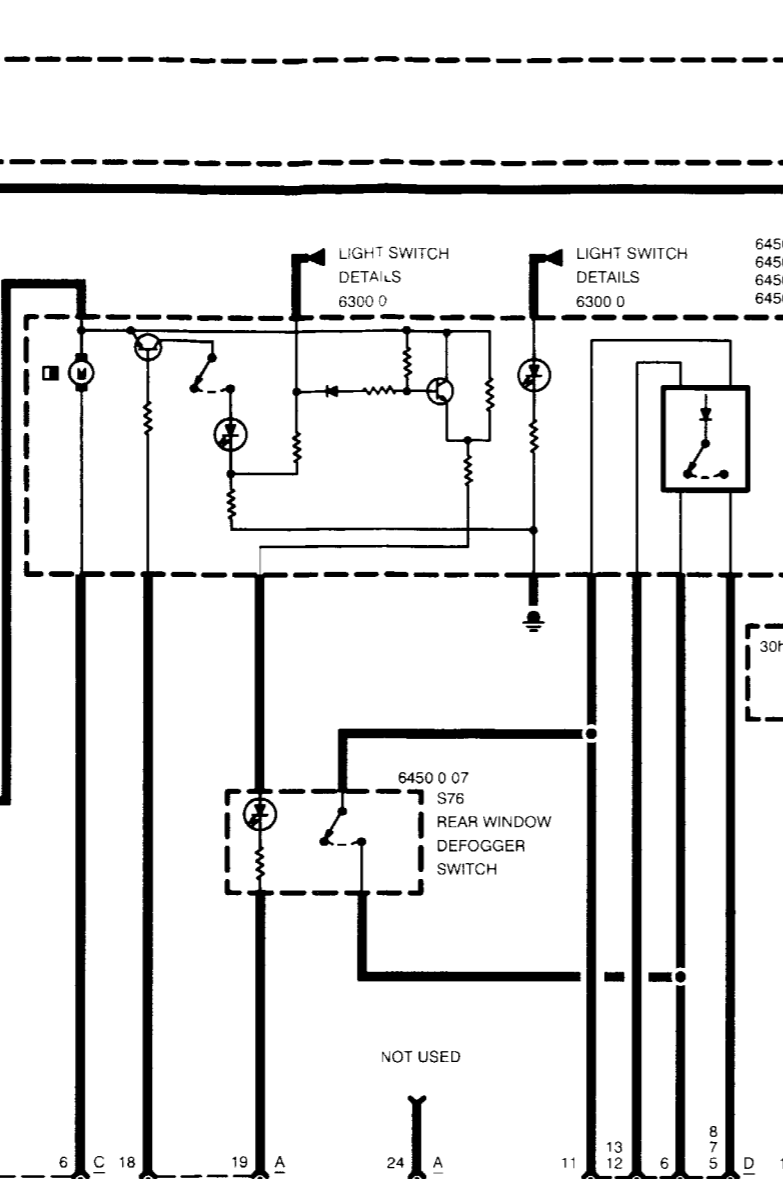
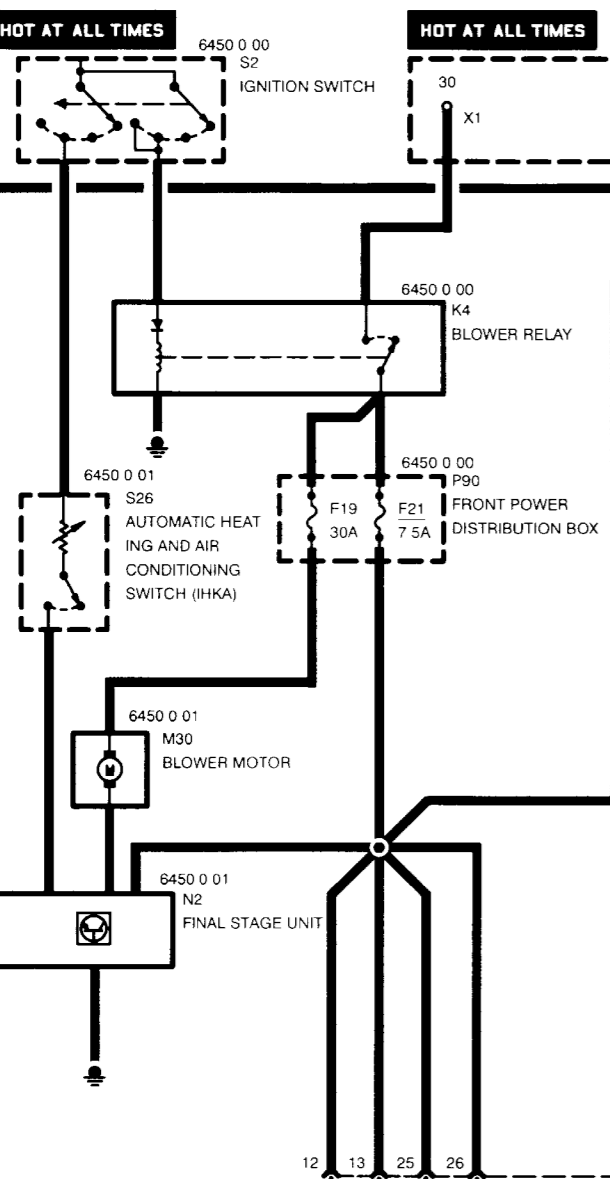
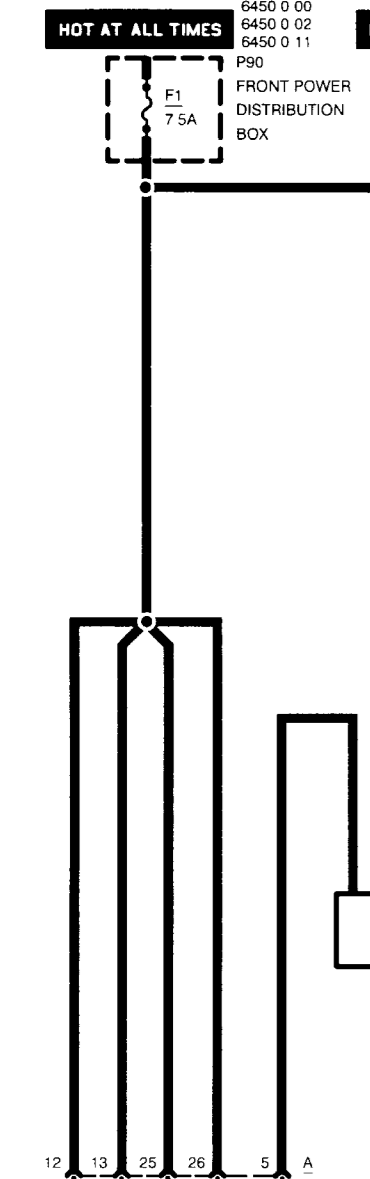
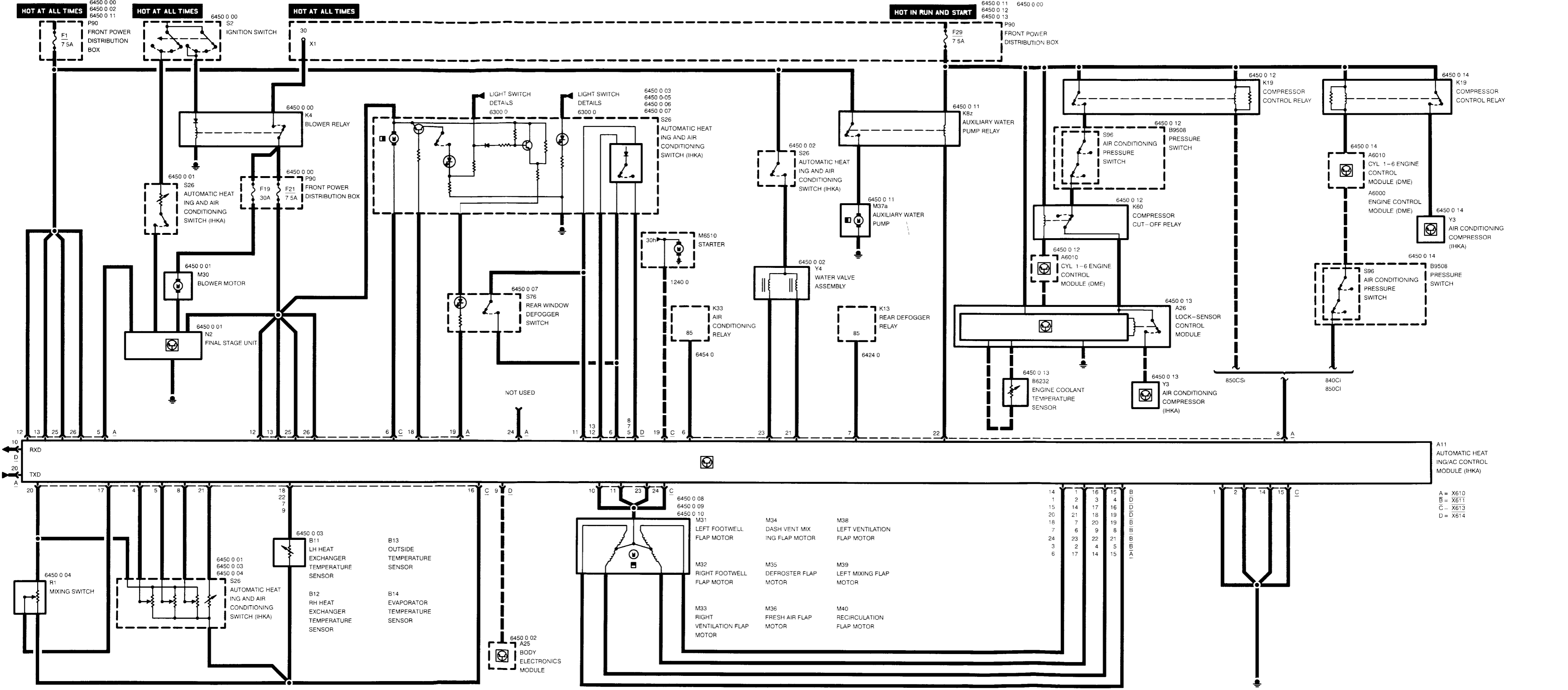


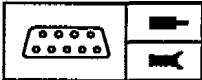


REAR WINDOW DEFOGGER/ANTENNA

3-ANTENNA-DIVERSITY







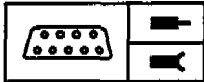
Pin Assignments

A=X610	26 pins, white
B=X611	26 pins, green
C=X613	26 pins, blue
D=X614	26 pins, yellow

X610

Pin	Type	Description/Function	Connection
1		Not used	
2		Not used	
3		Not used	
4		Not used	
5	A	Blower output stage activation	Final stage unit
6	A	Air conditioning	Air conditioning relay
7	A	Rear window defogger relay activation	Rear window defogger relay
8	A	Compressor control relay activation	Compressor control relay (850CSi) Conditioning pressure switch (840Ci, 850Ci)
9		Not used	
10		Not used	
11		Not used	
12	E	Voltage (terminal 30)	Fuse 1
13	E	Voltage (terminal 30)	Fuse 1
14	A	Circulating air flap motor activation	Recirculation flap motor
15	A	Circulating air flap motor activation	Recirculation flap motor
16	A	Circulating air flap motor activation	Recirculation flap motor
17	A	Circulating air flap motor activation	Recirculation flap motor
18	A	Function light activation	IHKA switch
19	A	Rear window defogger switch light activation	Rear window defogger switch
20	A	TxD diagnostic data line	Data link connector
21	A	Left water valve activation	Water valve assembly
22	A	Auxiliary water pump relay activation	Auxiliary water pump relay

E = Input, A = Output, M = Ground



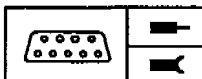
Pin Assignments

Pin	Type	Description/Function	Connection
23	A	Right water valve activation	Water valve assembly
24		Not used	
25	E	Voltage (terminal 30)	Fuse 1
26	E	Voltage (terminal 30)	Fuse 1

X611

Pin	Type	Description/Function	Connection
1	A	Left footwell flap motor activation	Left footwell flap motor
2	A	Left mixing flap motor activation	Left mixing flap motor
3	A	Left mixing flap motor activation	Left mixing flap motor
4	A	Left mixing flap motor activation	Left mixing flap motor
5	A	Left mixing flap motor activation	Left mixing flap motor
6	A	Fresh air flap motor activation	Fresh air flap motor
7	A	Fresh air flap motor activation	Fresh air flap motor
8	A	Fresh air flap motor activation	Fresh air flap motor
9	A	Fresh air flap motor activation	Fresh air flap motor
10		Not used	
11		Not used	
12		Not used	
13		Not used	
14	A	Left footwell flap motor activation	Left footwell flap motor
15	A	Left footwell flap motor activation	Left footwell flap motor
16	A	Left footwell flap motor activation	Left footwell flap motor
17	A	Defroster flap motor activation	Defroster flap motor
18	A	Defroster flap motor activation	Defroster flap motor
19	A	Defroster flap motor activation	Defroster flap motor
20	A	Defroster flap motor activation	Defroster flap motor
21	A	Left ventilation flap motor activation	Left ventilation flap motor
22	A	Left ventilation flap motor activation	Left ventilation flap motor
23	A	Left ventilation flap motor activation	Left ventilation flap motor
24	A	Left ventilation flap motor activation	Left ventilation flap motor

E = Input, A = Output, M = Ground



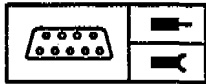
Pin Assignments

Pin	Type	Description/Function	Connection
25		Not used	
26		Not used	

X613

Pin	Type	Description/Function	Connection
1	M	Ground	Ground point
2	M	Ground	Ground point
3		Not used	
4	E	Nominal temperature value, left (potentiometer)	IHKA switch
5	E	Nominal air flow value (potentiometer)	IHKA switch
6	M	Interior sensor blower (ground)	IHKA switch
7	A/E	Outside temperature	Outside temperature sensor
8	E	Nominal temperature value, right (potentiometer)	IHKA switch
9	A/E	Evaporator temperature	Evaporator temp. sensor
10	A	Voltage for flap motors	Plus connector for flap motors
11	A	Voltage for flap motors	Plus connector for flap motors
12	E	Ignition voltage (terminal 15)	Blower relay/fuse 21
13	E	Ignition voltage (terminal 15)	Blower relay/fuse 21
14	M	Ground	Ground point
15	M	Ground	Ground point
16	A	Ground for sensors and control wheels	Sensors and control wheels
17	E	Nominal mixing air value	Temperature distribution potentiometer
18	A/E	Left heater temperature	Left heat exchanger temperature sensor
19	E	Starter signal 30h	Starter
20	A	Voltage for control wheels	Control wheels
21	A/E	Inside air temperature sensor	IHKA switch
22	A/E	Right heater temperature	Right heat exchanger temperature sensor
23	A	Voltage for flap motors	Plus connector for flap motors
24	A	Voltage for flap motors	Plus connector for flap motors

E = Input, A = Output, M = Ground



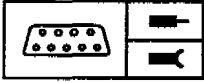
Pin Assignments

Pin	Type	Description/Function	Connection
25	E	Ignition voltage (terminal 15)	Blower relay/fuse 21
26	E	Ignition voltage (terminal 15)	Blower relay/fuse 21

X614

Pin	Type	Description/Function	Connection
1	A	Right footwell flap motor activation	Right footwell flap motor
2	A	Right footwell flap motor activation	Right footwell flap motor
3	A	Right footwell flap motor activation	Right footwell flap motor
4	A	Right footwell flap motor activation	Right footwell flap motor
5	E	Switch for circulating air and air conditioning	IHKA switch
6	E	Switch for rear window, max left, bottom left	IHKA switch/rear window defogger switch
7	E	Switch for defrost, park heating, park ventilation	IHKA switch, relay box park heating/park ventilation
8	E	Switch for max right, bottom right, right-hand drive coding diode	IHKA switch
9	E	Vehicle speed signal	Body electronics module (EKM)
10	E	RxD diagnostic data line	Data link connector
11	A	Switch for rear window, park heating, right-hand drive coding diode	IHKA switch/rear window defogger switch
12	A	Switch for circulating air, max left, max right, park ventilation	IHKA switch
13	A	Switch for air conditioning, bottom left, defrost, bottom right	IHKA switch
14	A	Right ventilation flap motor activation	Right ventilation flap motor
15	A	Right ventilation flap motor activation	Right ventilation flap motor
16	A	Right ventilation flap motor activation	Right ventilation flap motor
17	A	Right ventilation flap motor activation	Right ventilation flap motor
18	A	Dash vent mixing flap motor activation	Dash vent mixing flap motor
19	A	Dash vent mixing flap motor activation	Dash vent mixing flap motor
20	A	Dash vent mixing flap motor activation	Dash vent mixing flap motor

E = Input, A = Output, M = Ground



Pin Assignments

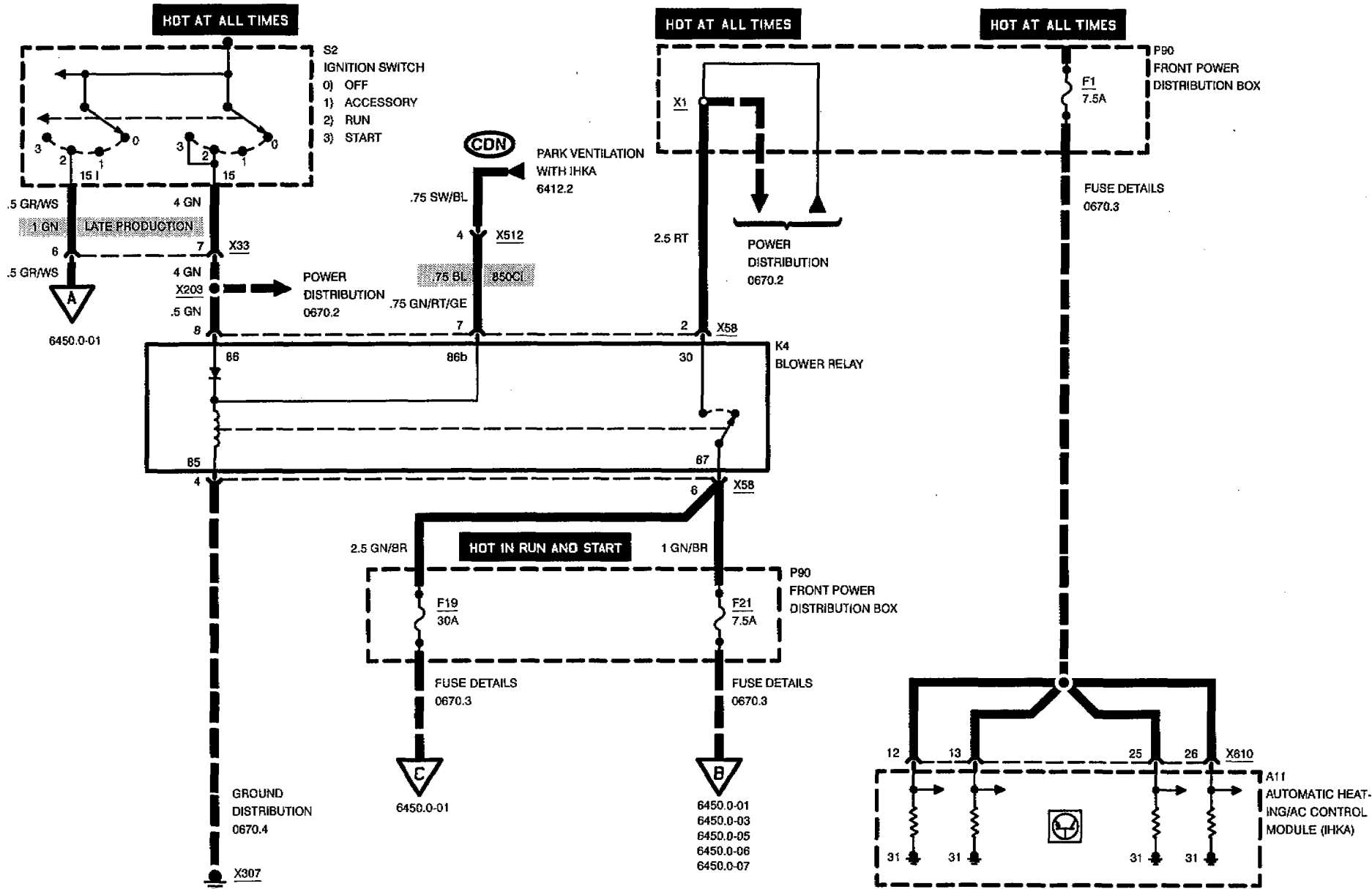
Pin	Type	Description/Function	Connection
21	A	Dash vent mixing flap motor activation	Dash vent mixing flap motor
22		Not used	
23		Not used	
24		Not used	
25		Not used	
26		Not used	

E = Input, A = Output, M = Ground



AUTOMATIC HEATING/AC CONTROL (IHKA)

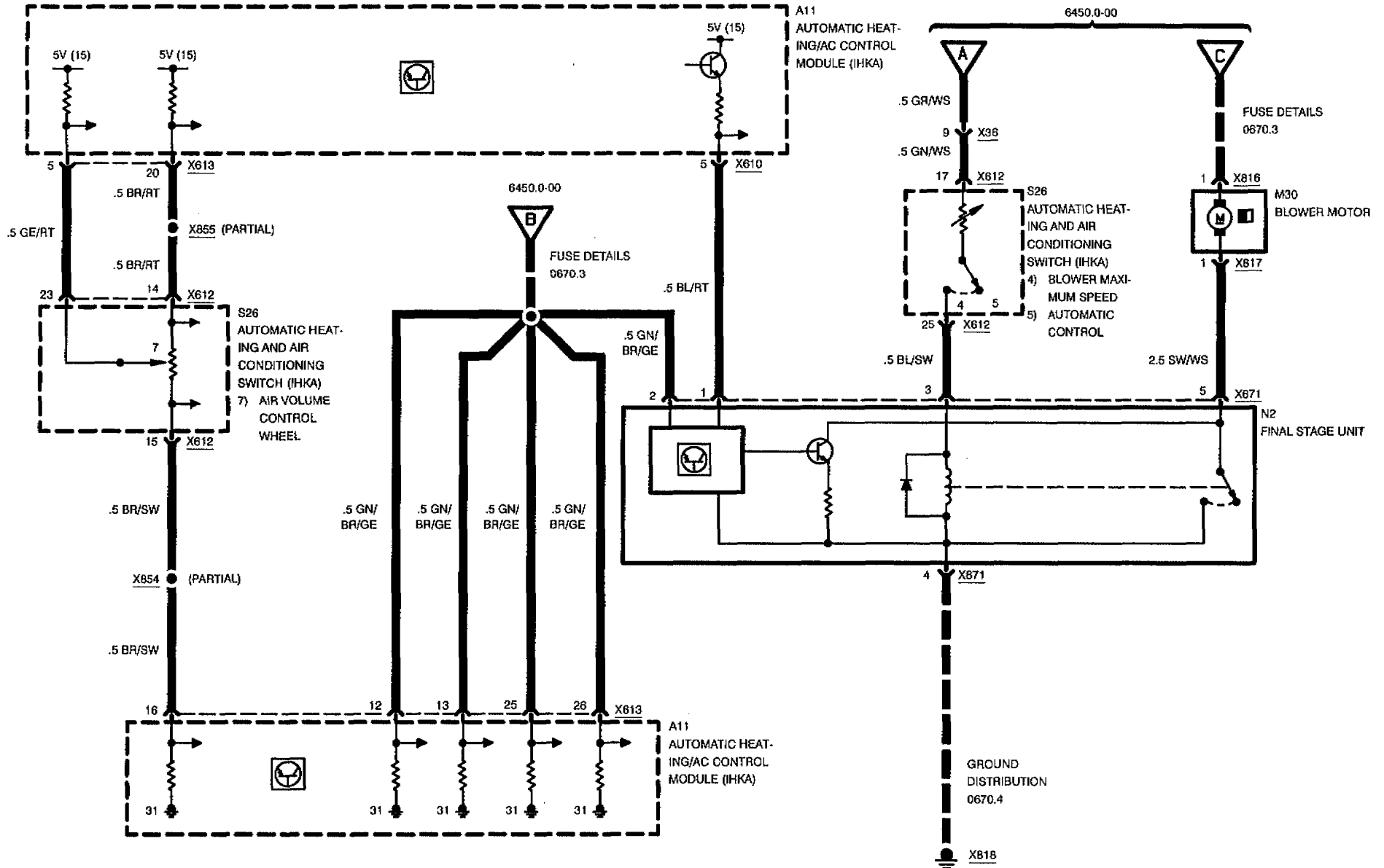
POWER





AUTOMATIC HEATING/AC CONTROL (IHKA)

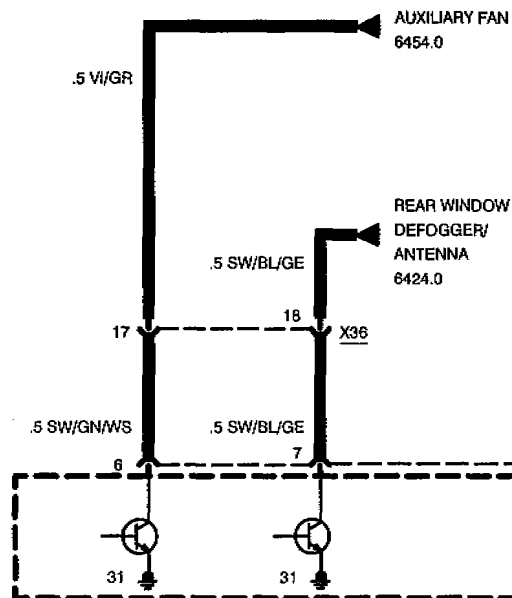
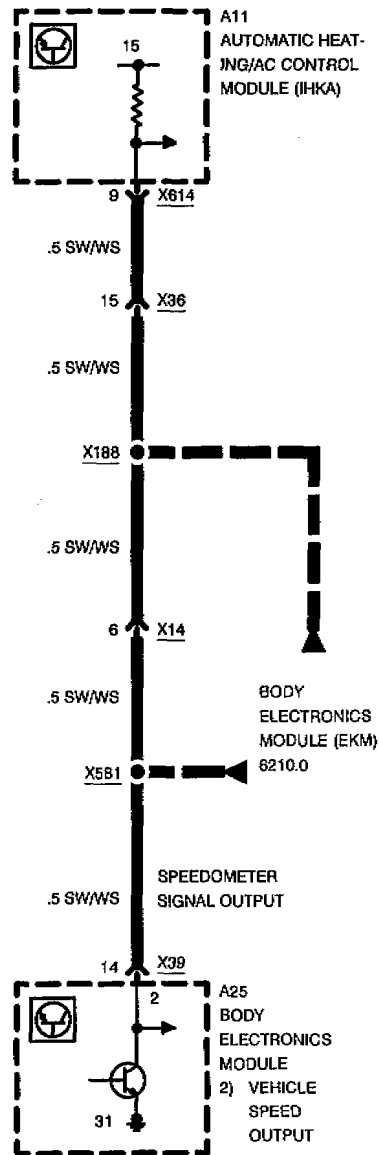
BLOWER CONTROLS



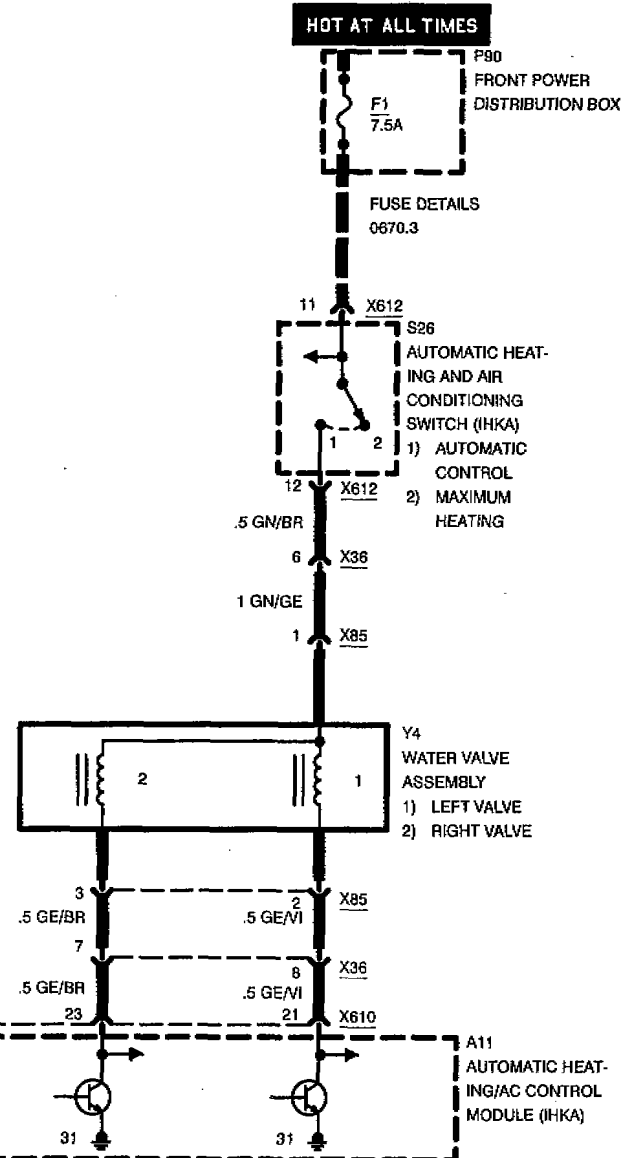


AUTOMATIC HEATING/AC CONTROL (IHKA)

BLOWER CONTROLS



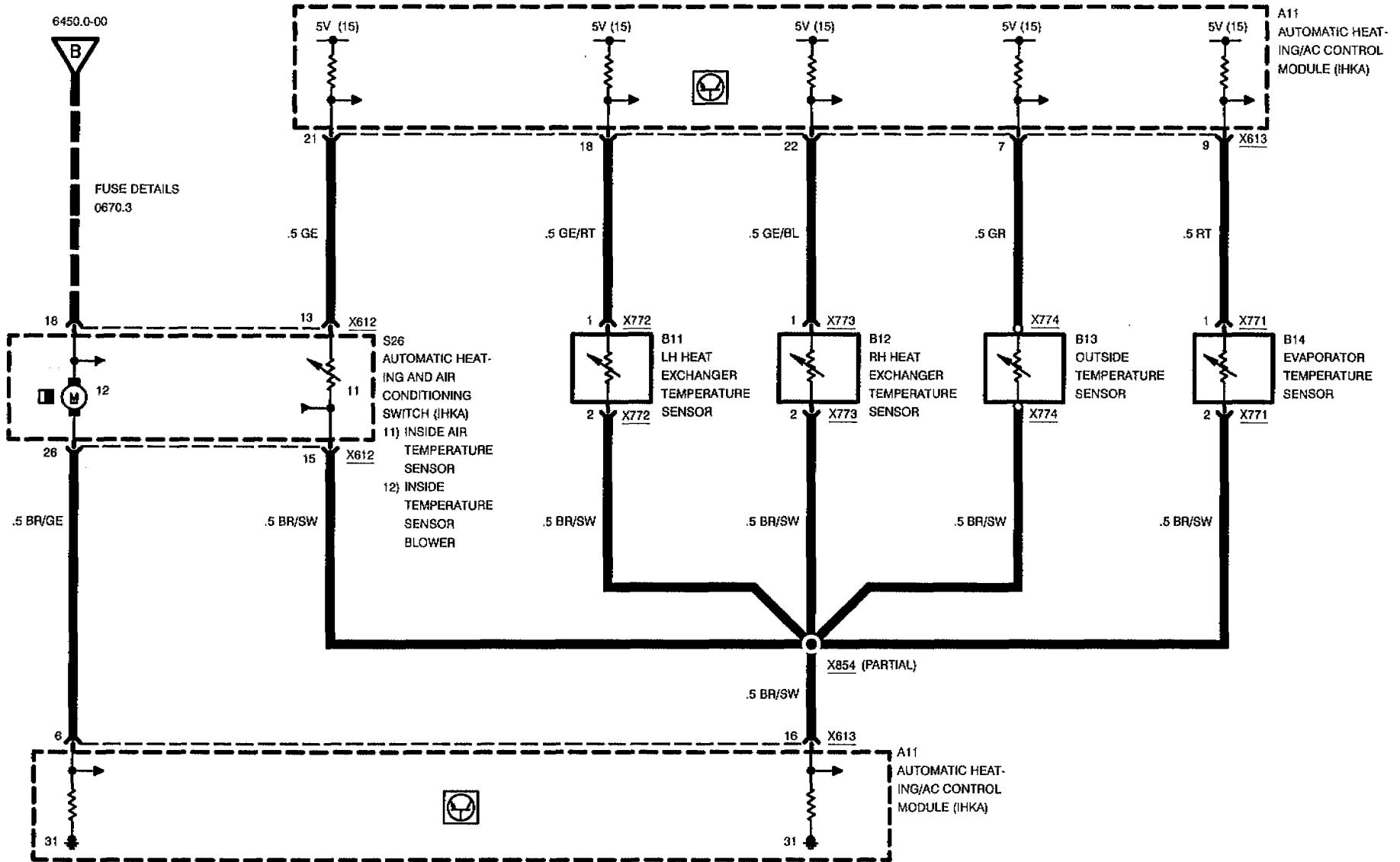
WATER VALVES





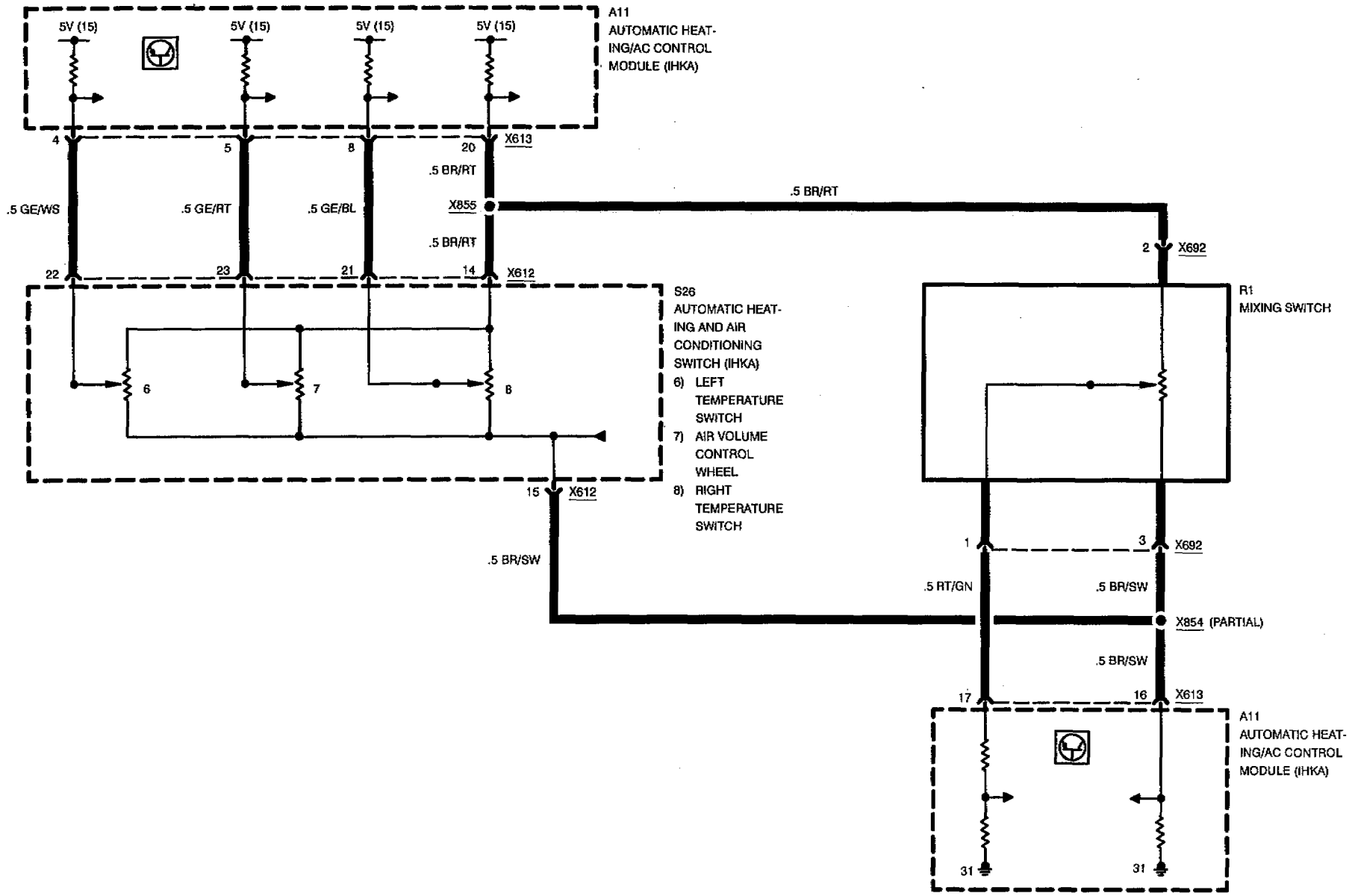
AUTOMATIC HEATING/AC CONTROL (IHKA)

TEMPERATURE CONTROLS





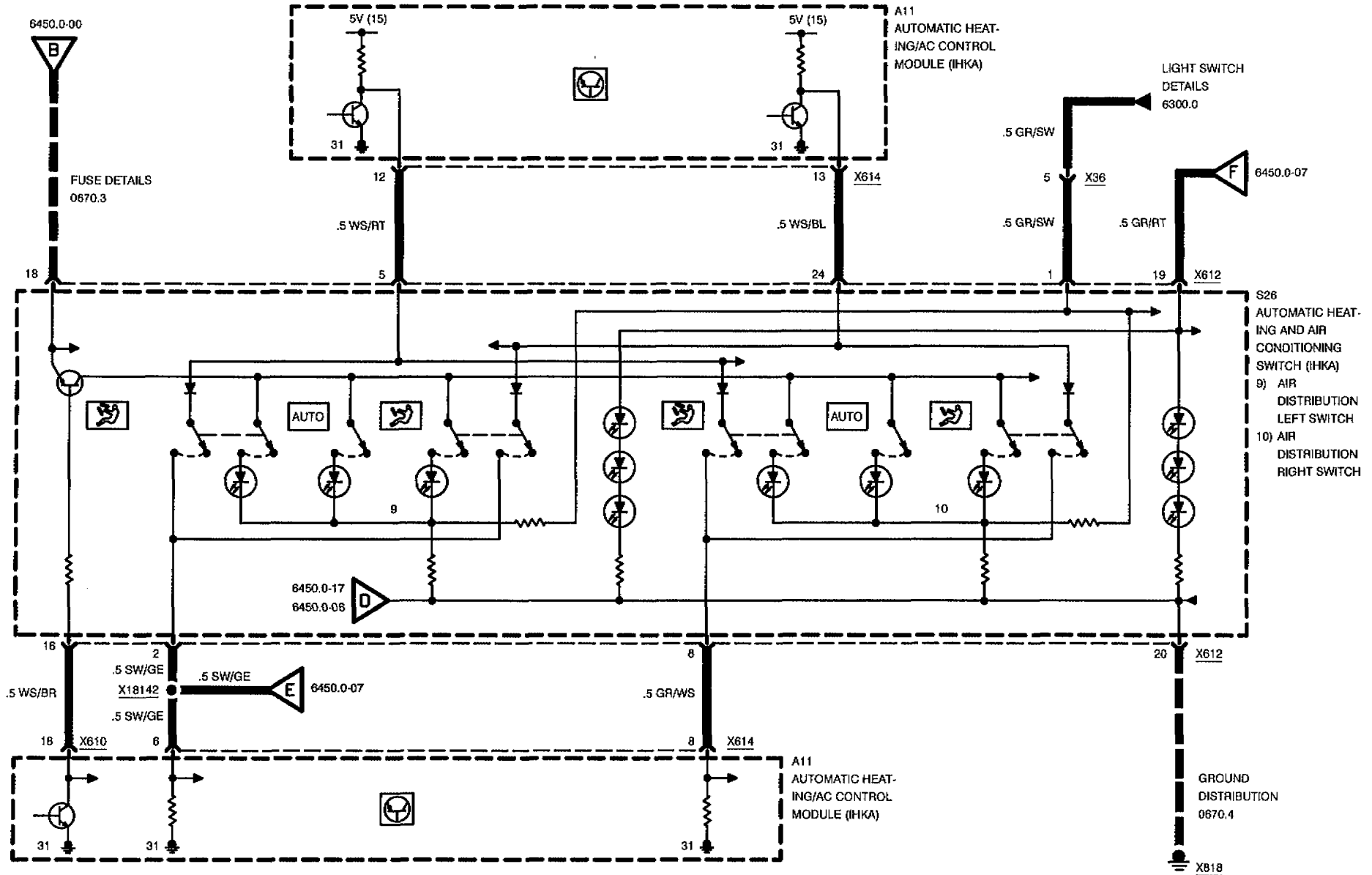
AUTOMATIC HEATING/AC CONTROL (IHKA) TEMPERATURE CONTROLS





AUTOMATIC HEATING/AC CONTROL (IHKA)

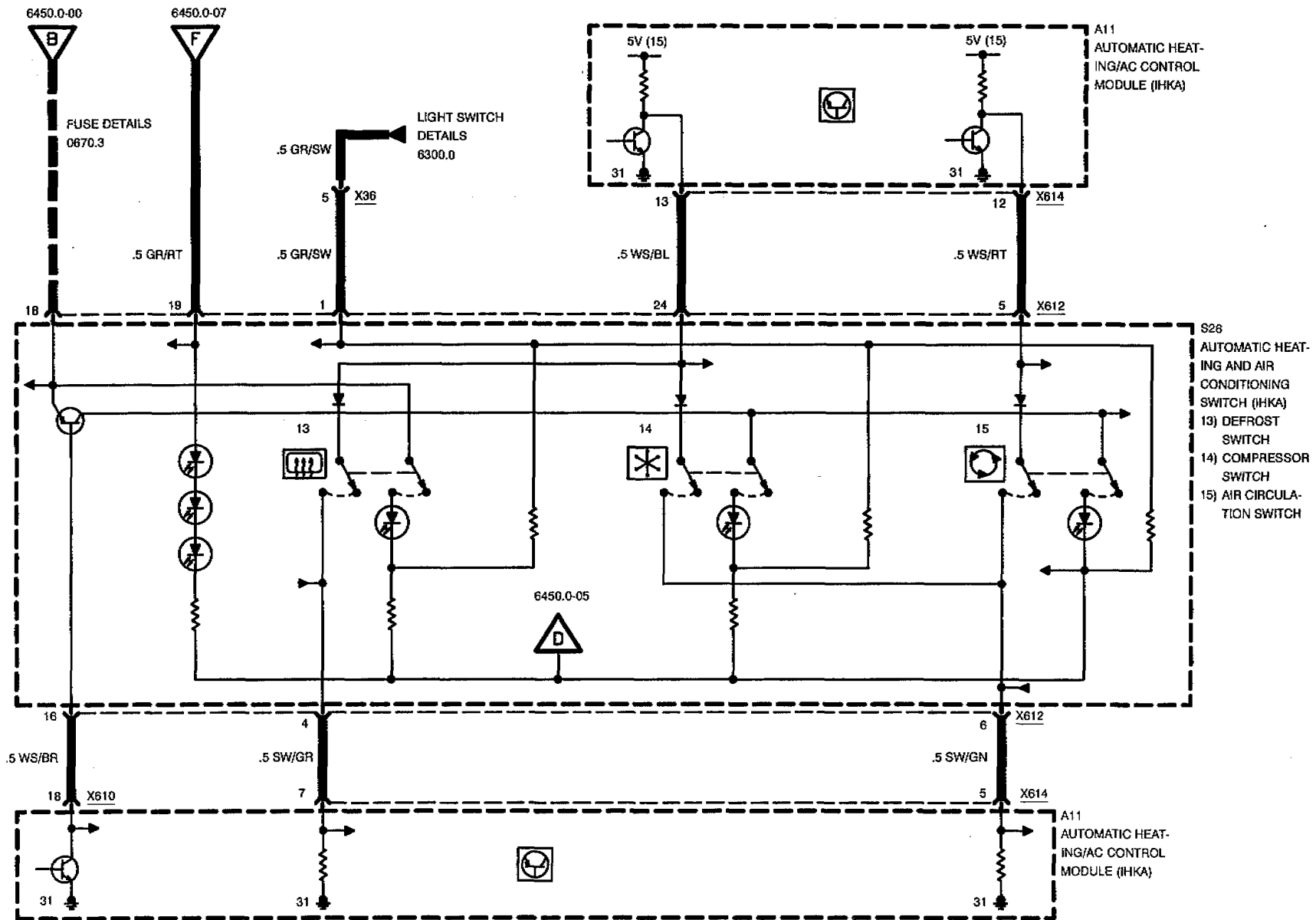
AIR DELIVERY





AUTOMATIC HEATING/AC CONTROL (IHKA)

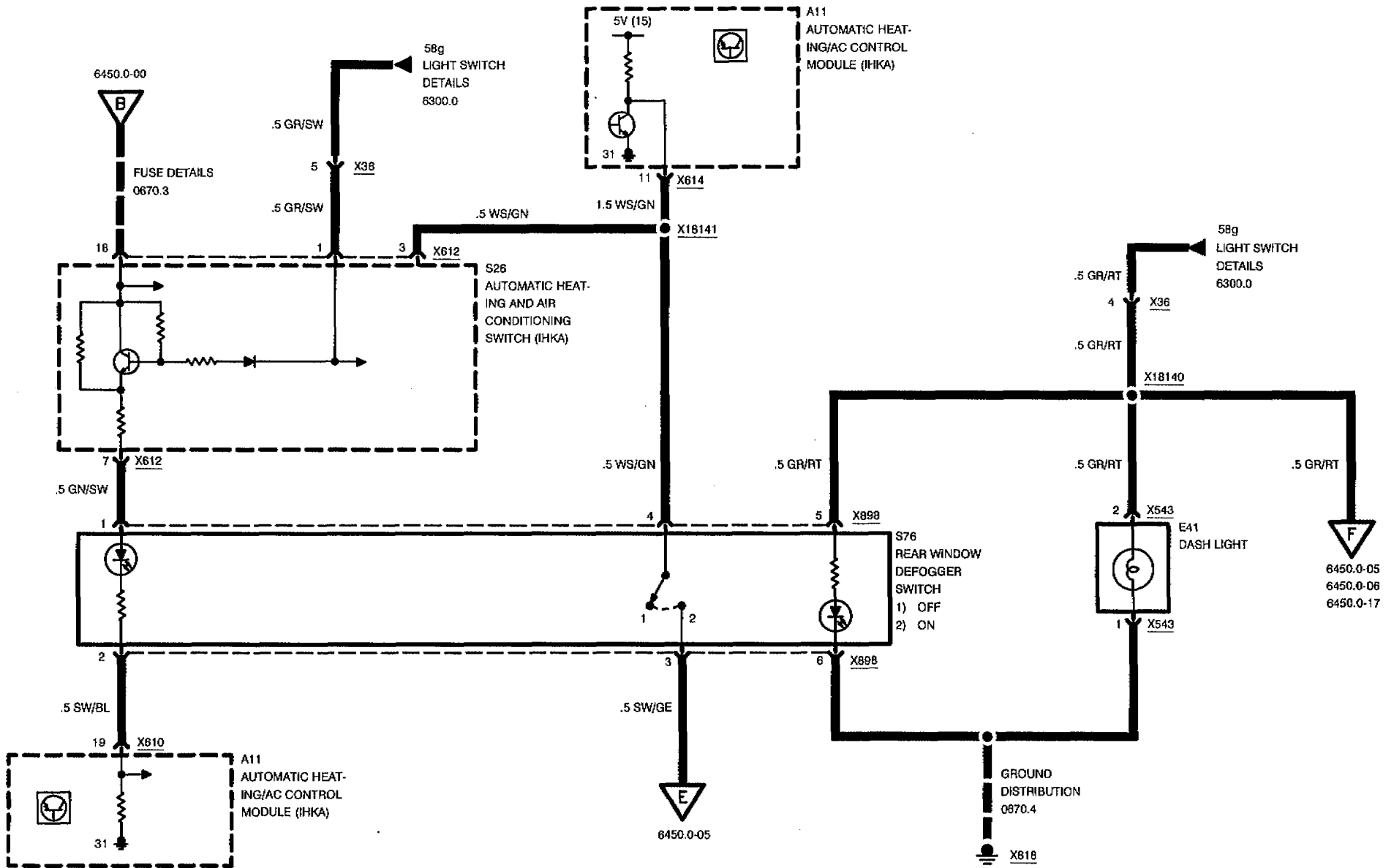
AIR DELIVERY





AUTOMATIC HEATING/AC CONTROL (IHKA)

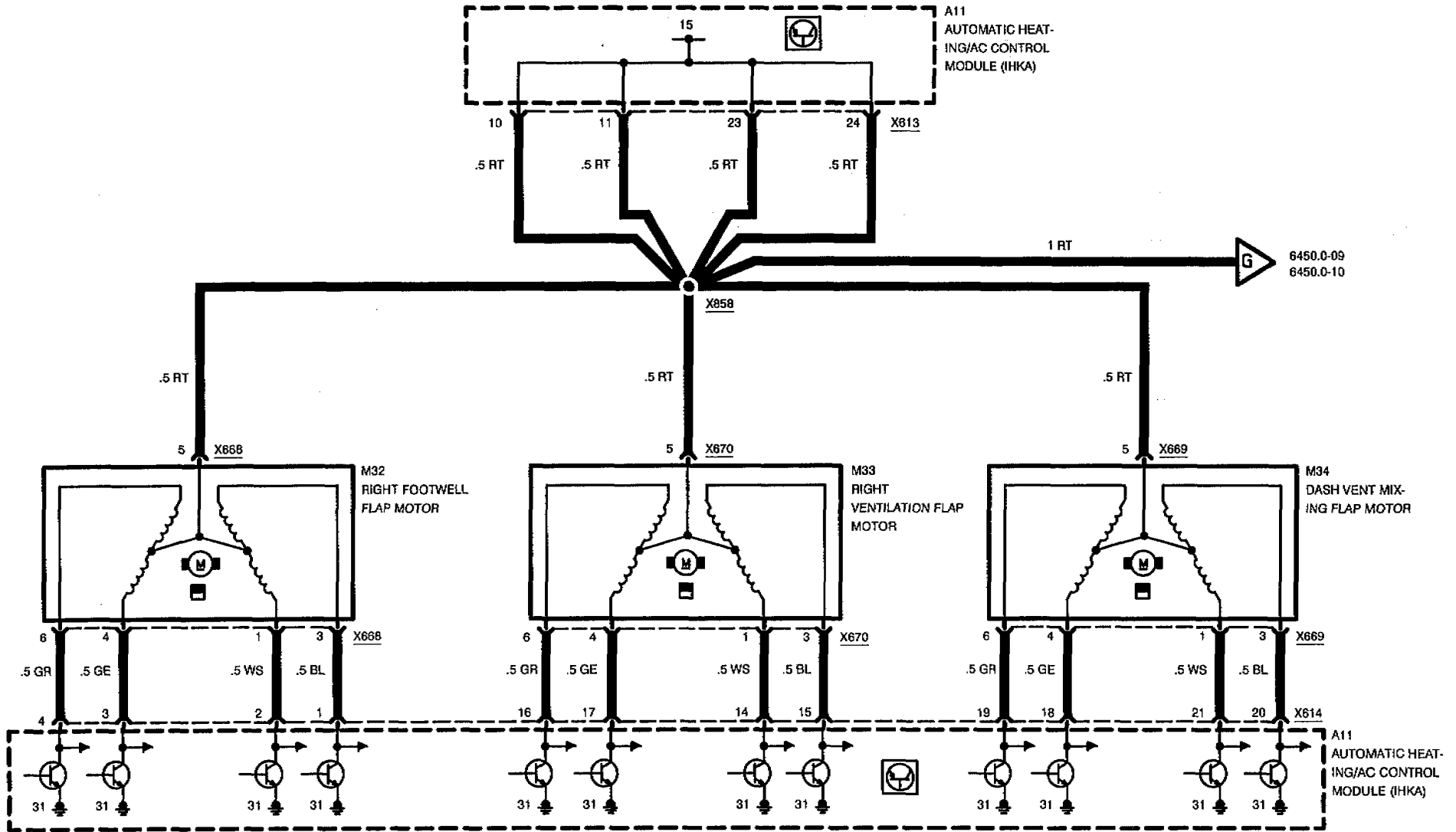
AIR DELIVERY





AUTOMATIC HEATING/AC CONTROL (IHKA)

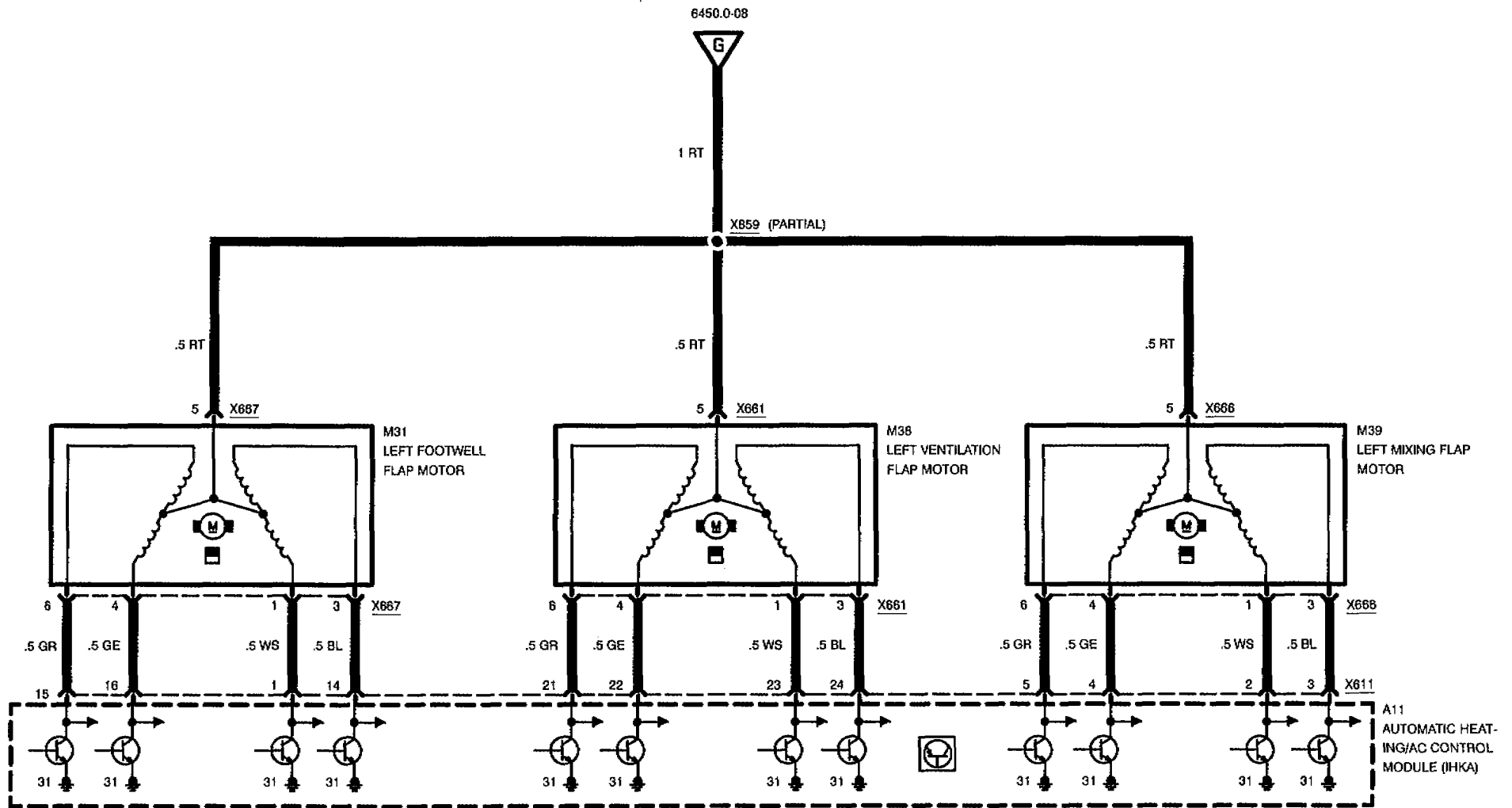
AIR DELIVERY





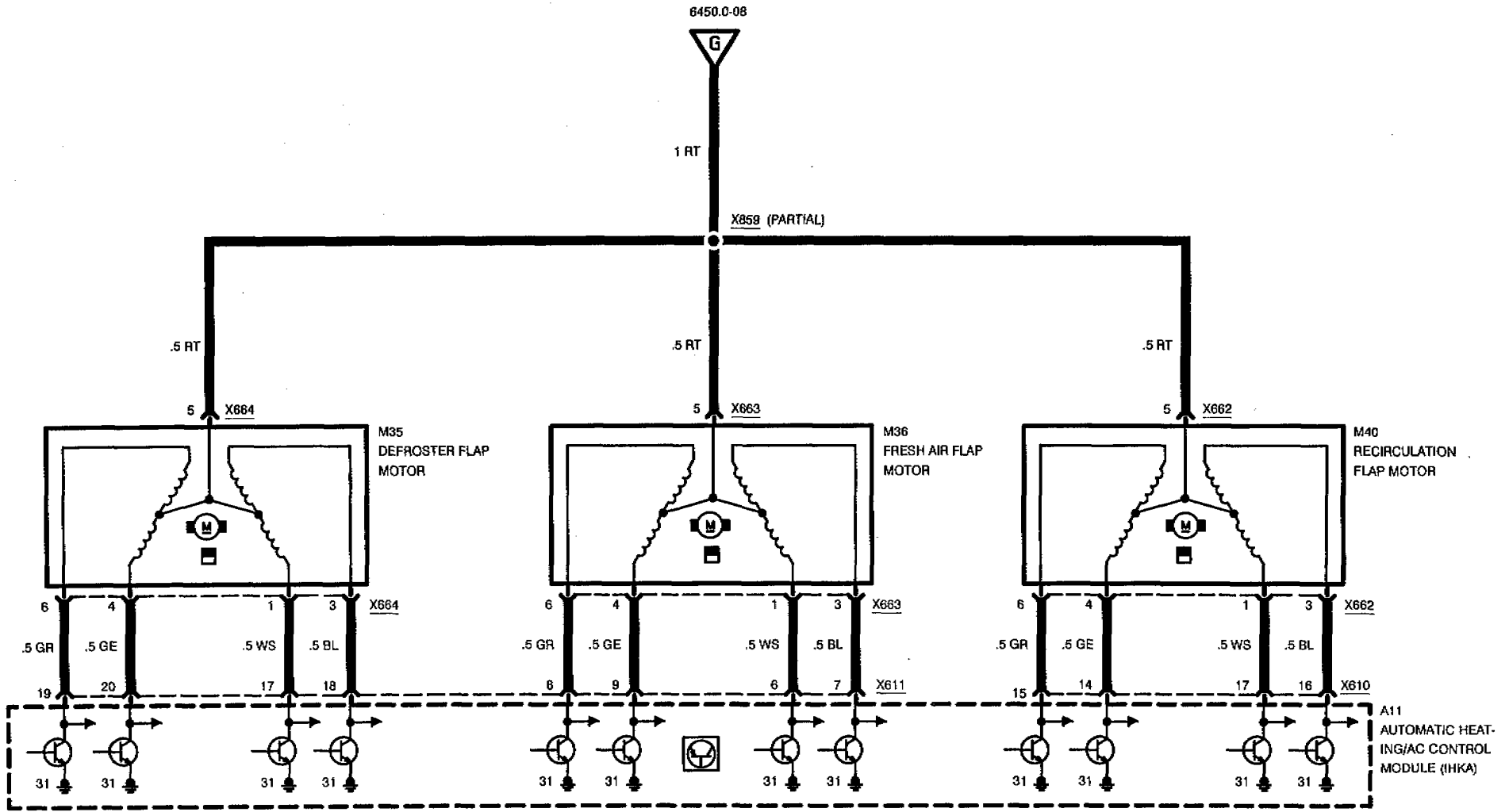
AUTOMATIC HEATING/AC CONTROL (IHKA)

AIR DELIVERY





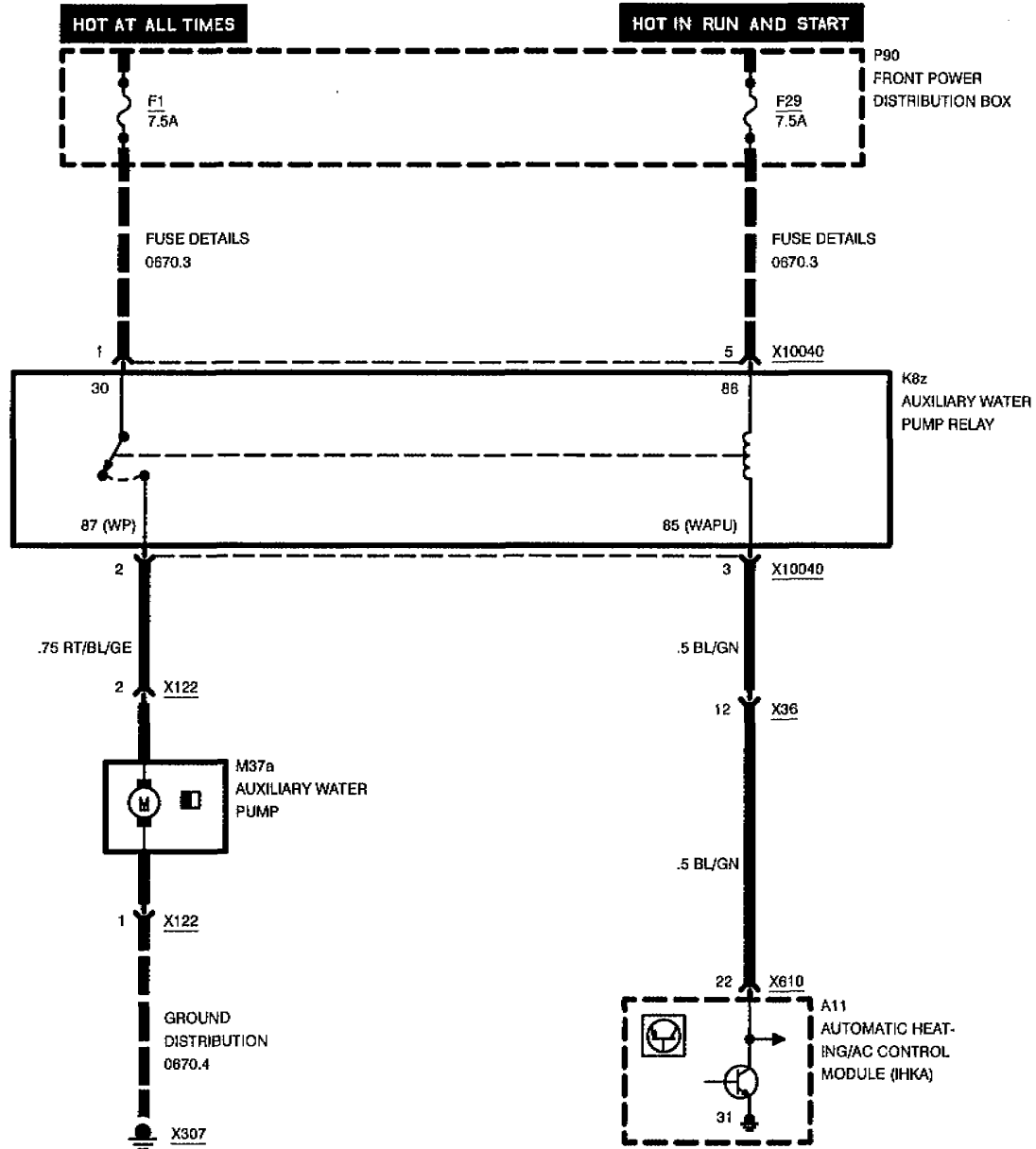
AUTOMATIC HEATING/AC CONTROL (IHKA) AIR DELIVERY





AUTOMATIC HEATING/AC CONTROL (IHKA)

AUXILIARY WATER PUMP

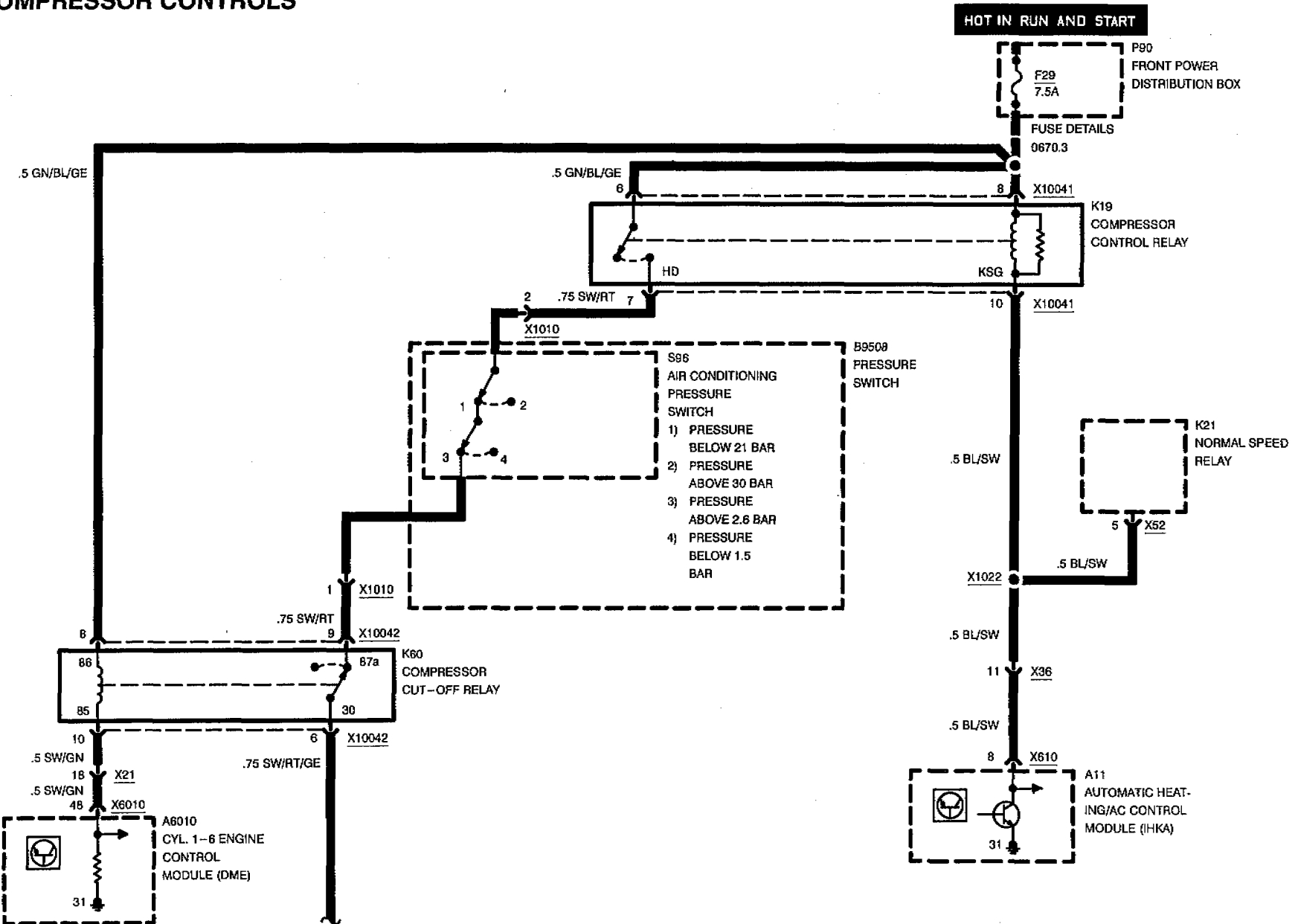


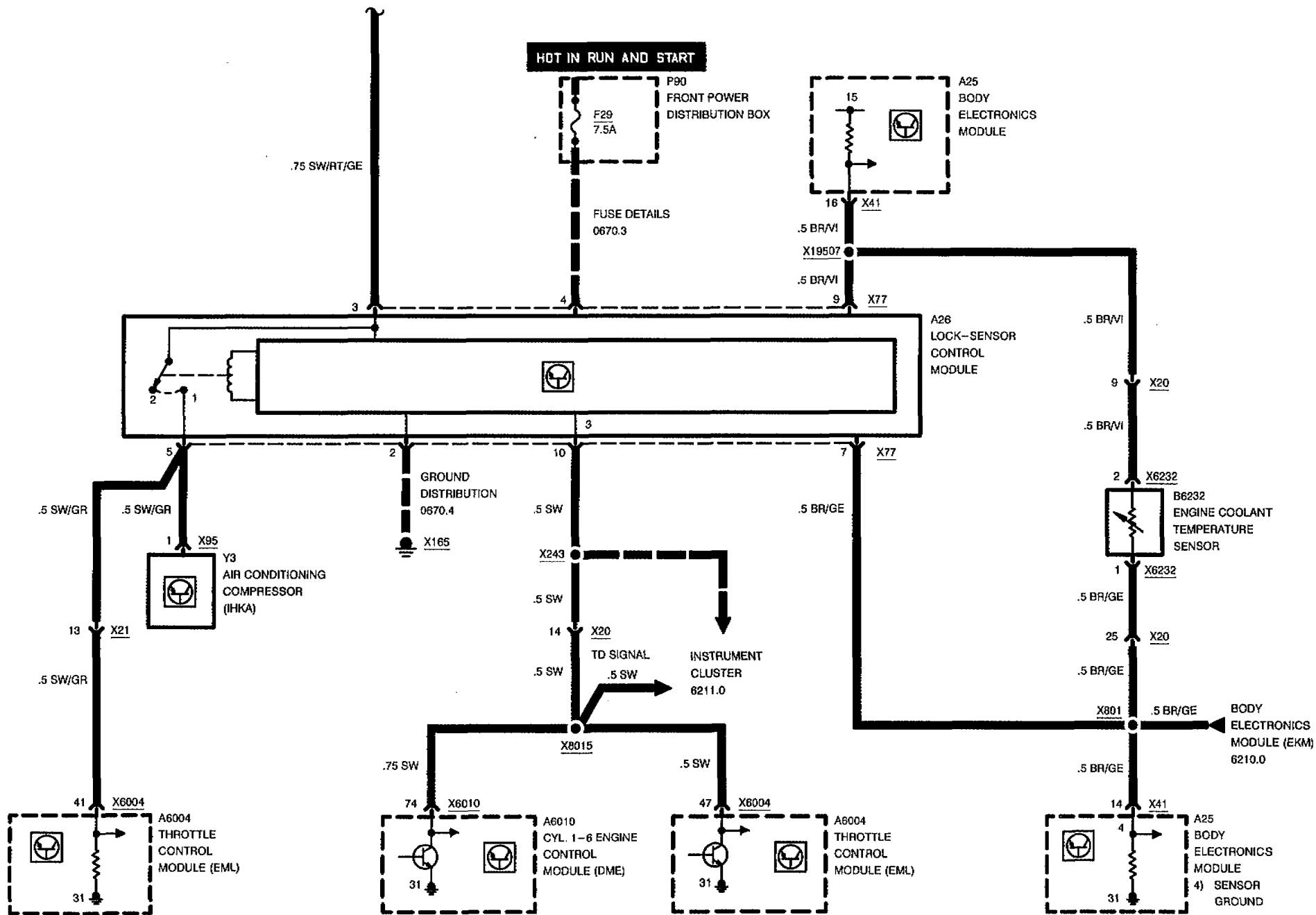


AUTOMATIC HEATING/AC CONTROL (IHKA)

850CSi

COMPRESSOR CONTROLS



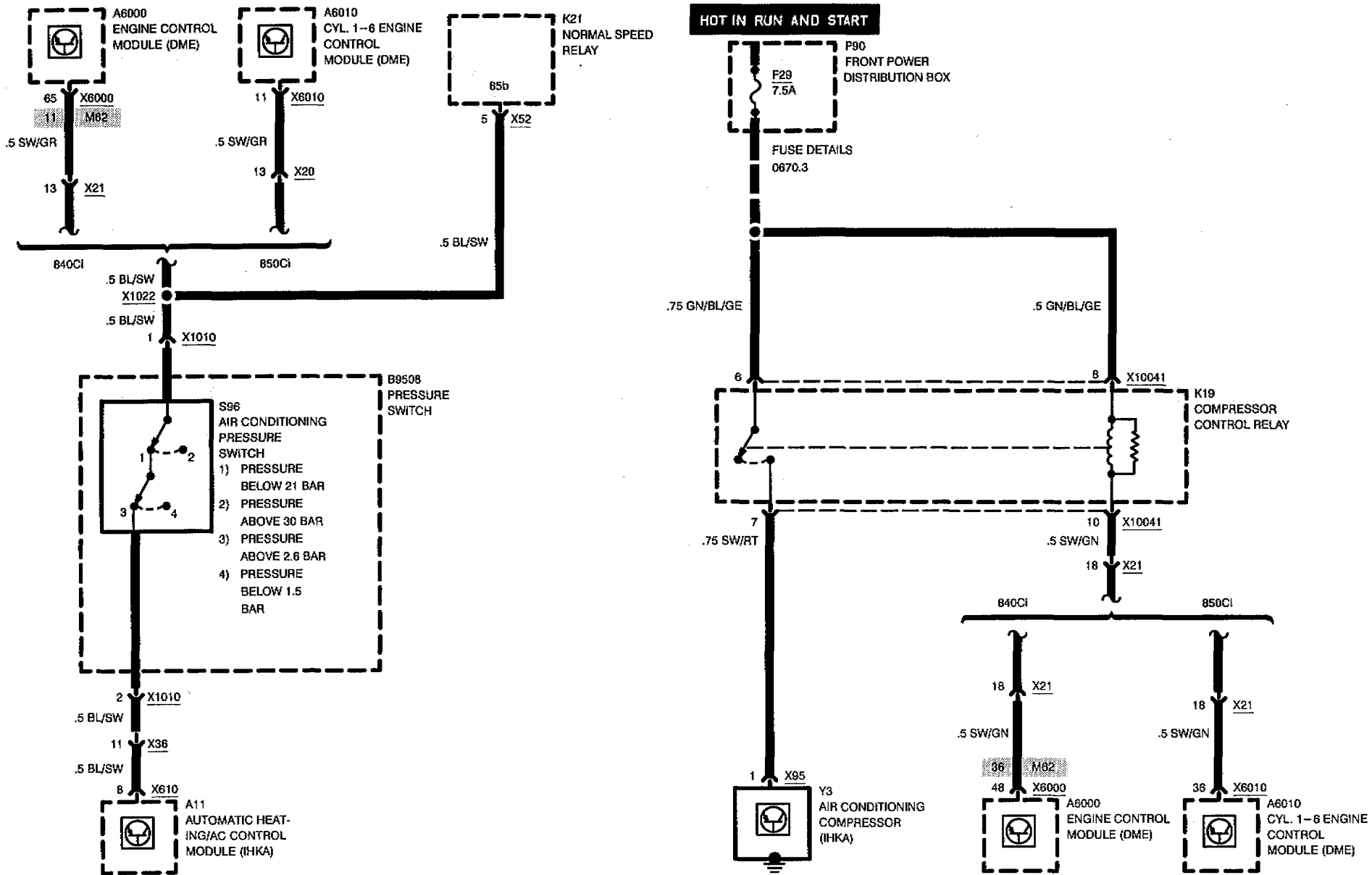




AUTOMATIC HEATING/AC CONTROL (IHKA)

840Ci, 850Ci

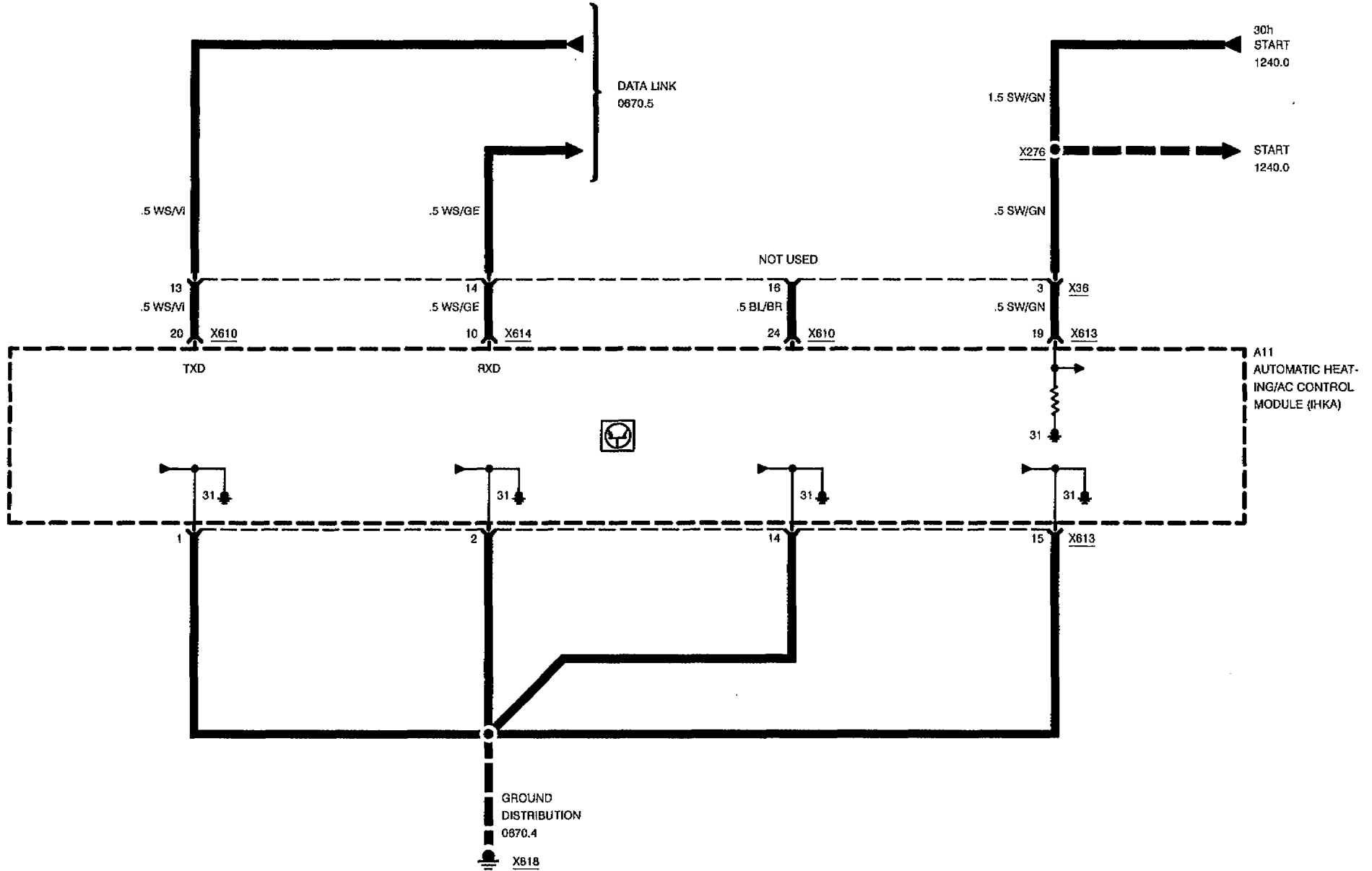
COMPRESSOR CONTROLS





AUTOMATIC HEATING/AC CONTROL (IHKA)

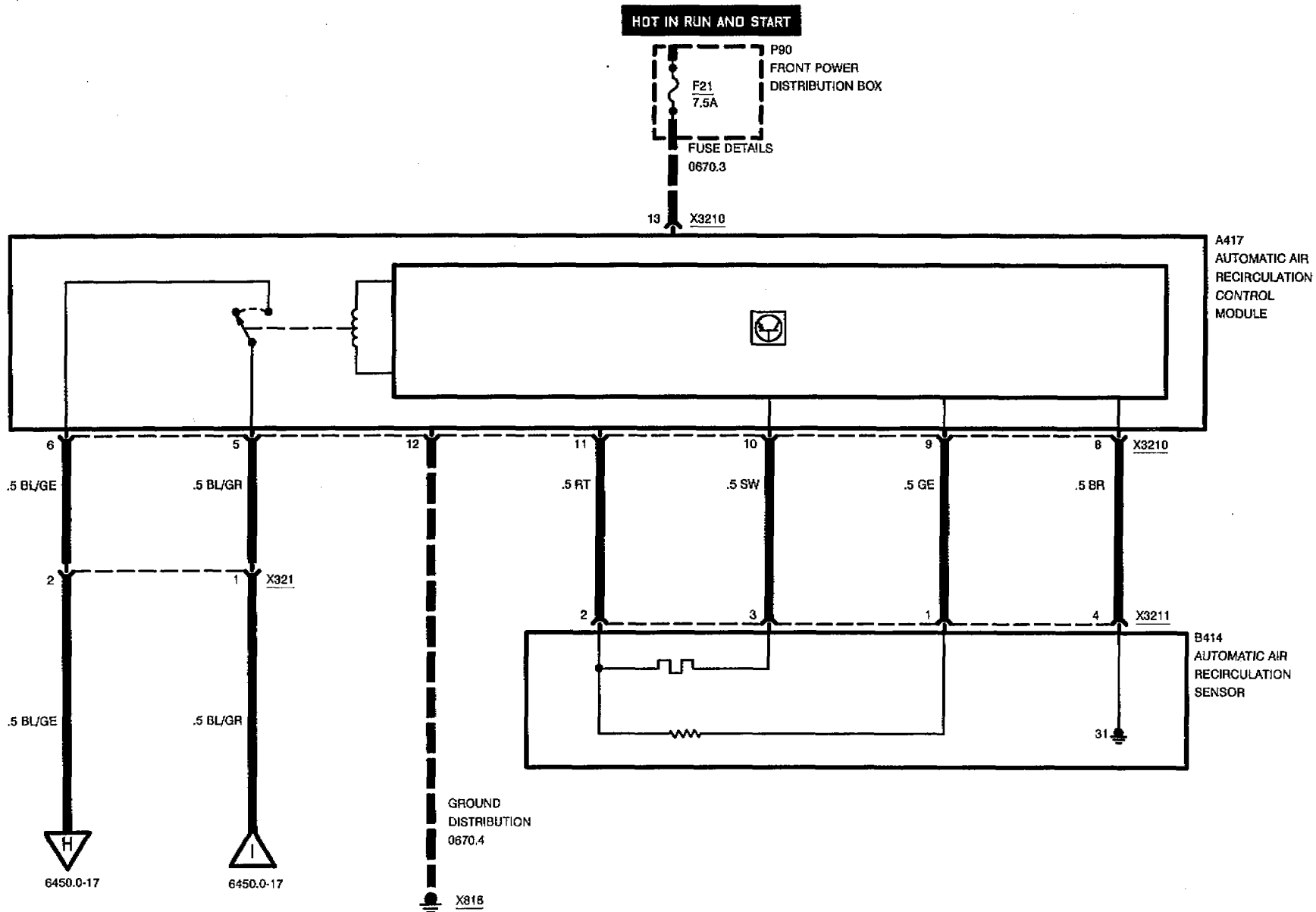
DATA LINK AND STARTER INPUT





AUTOMATIC HEATING/AC CONTROL (IHKA)

AUC

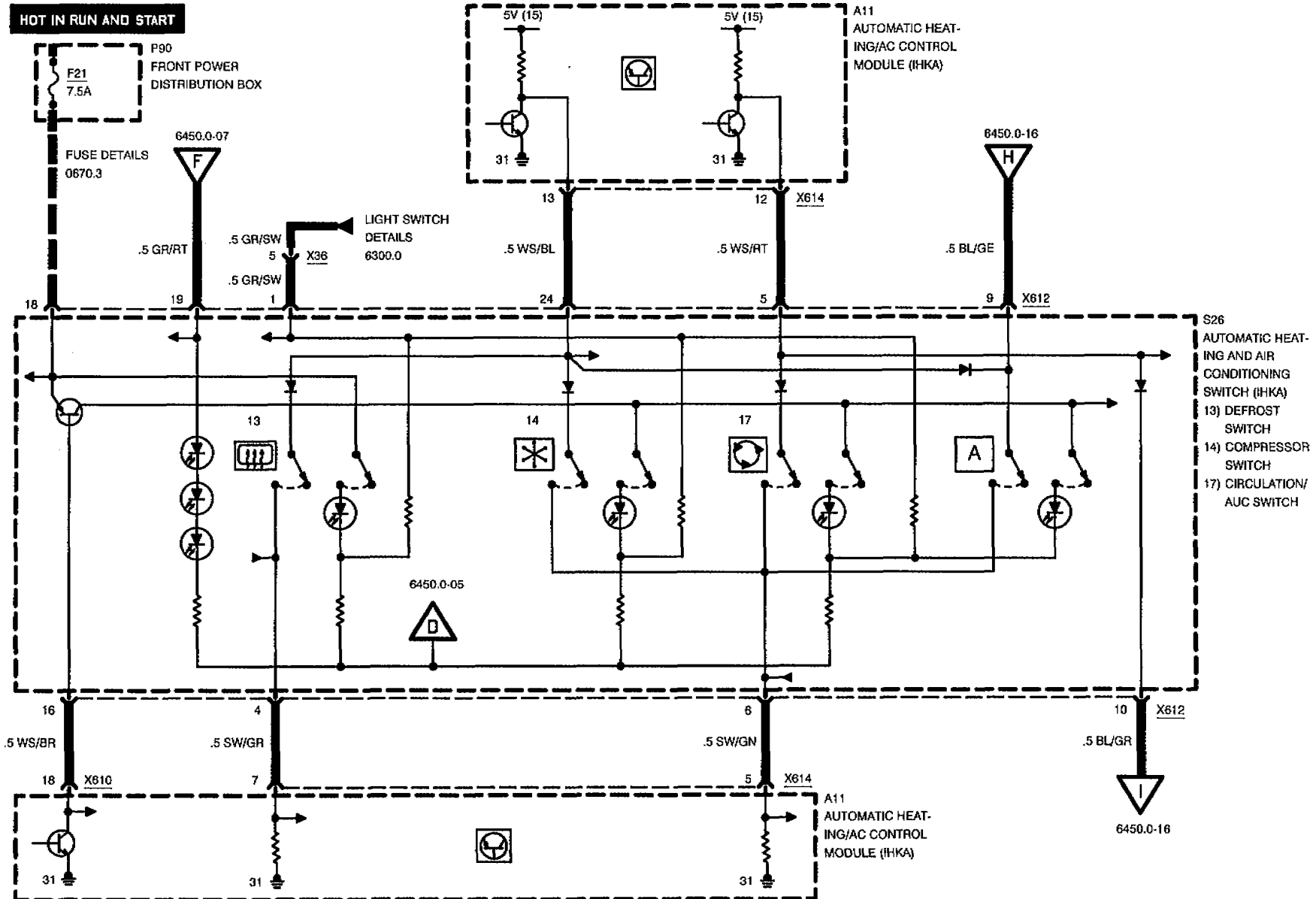


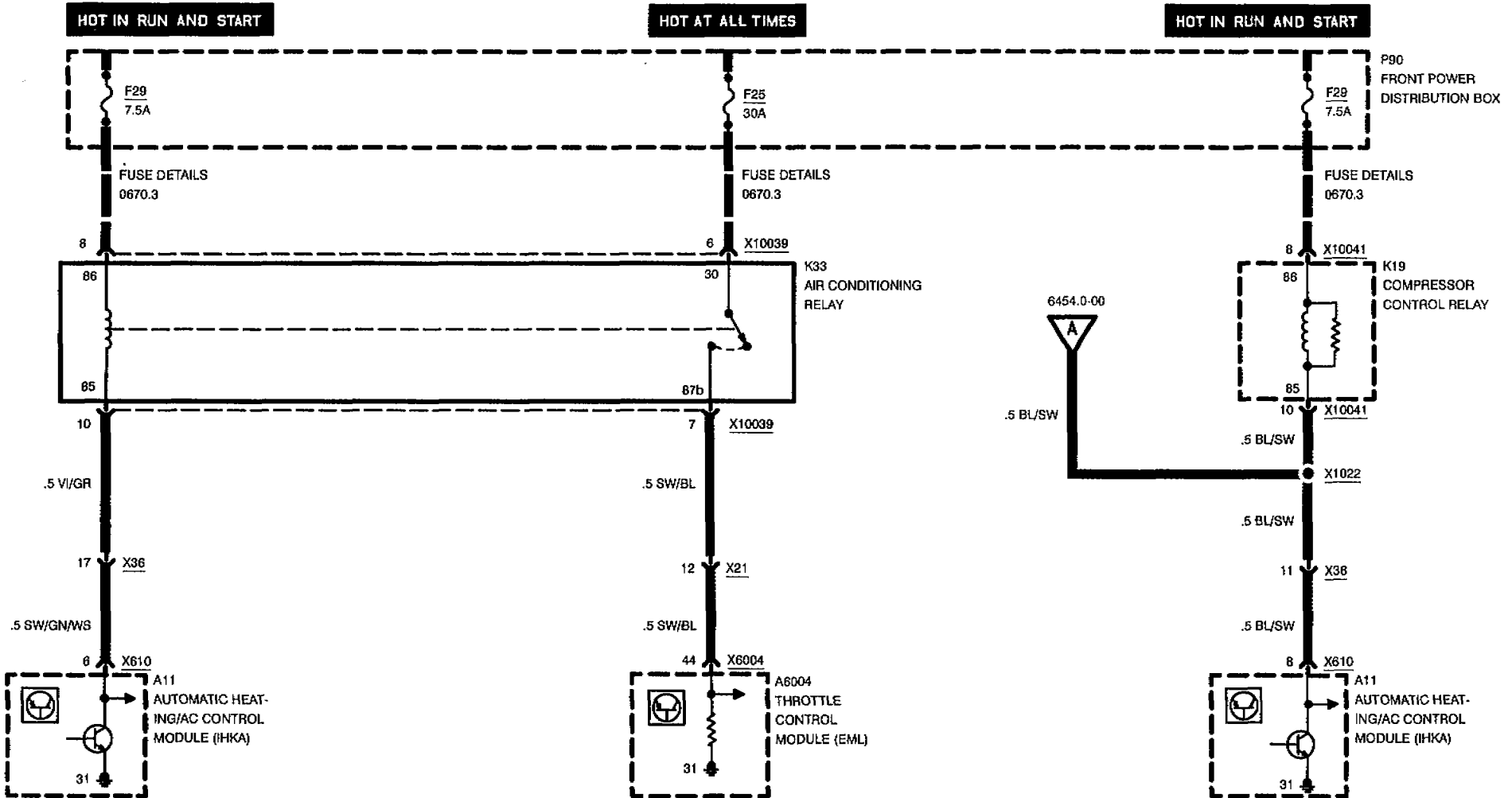


AUTOMATIC HEATING/AC CONTROL (IHKA)



AUC



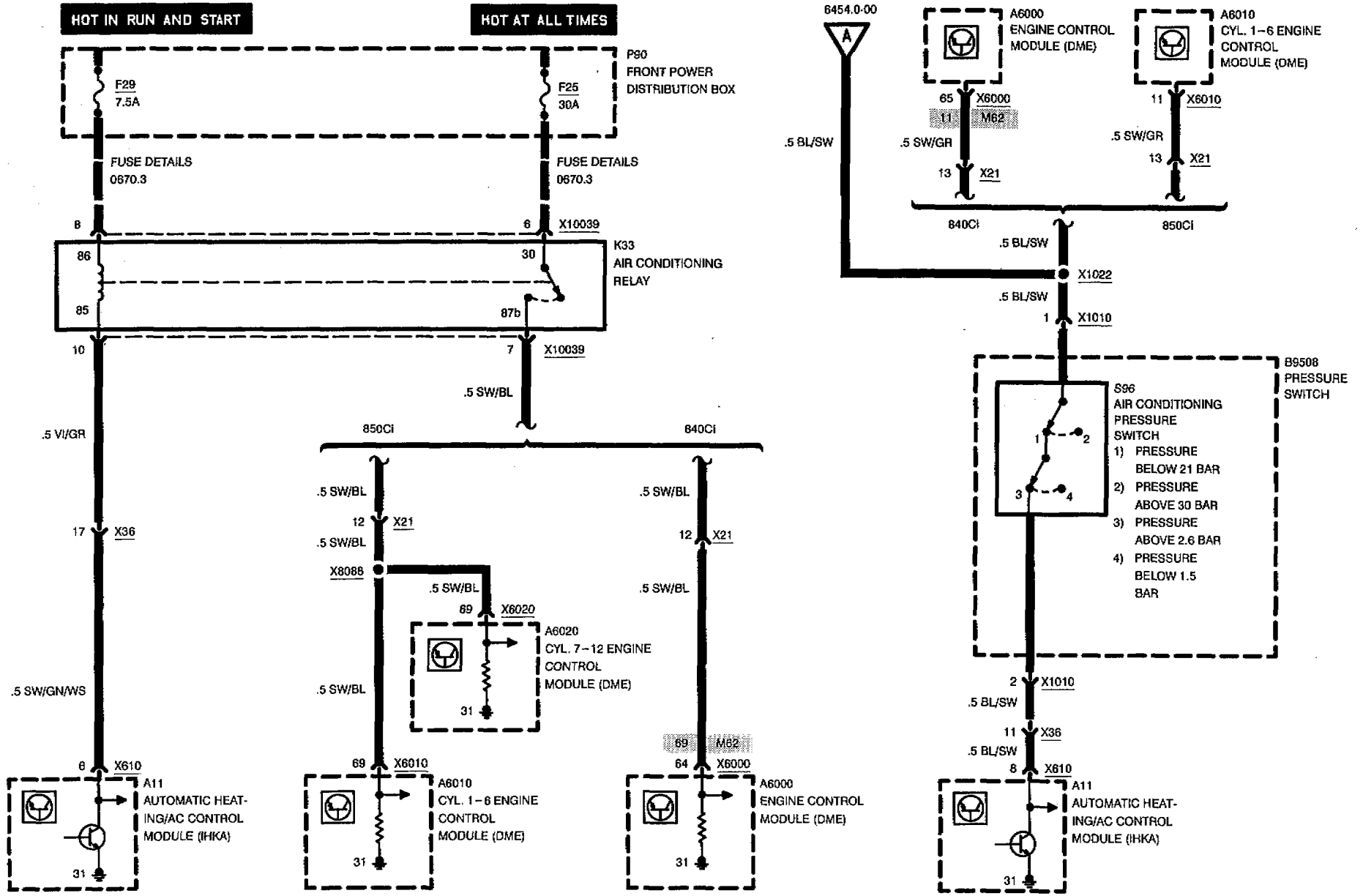




AUXILIARY FAN

840Ci, 850Ci

02/97



6454.0-02

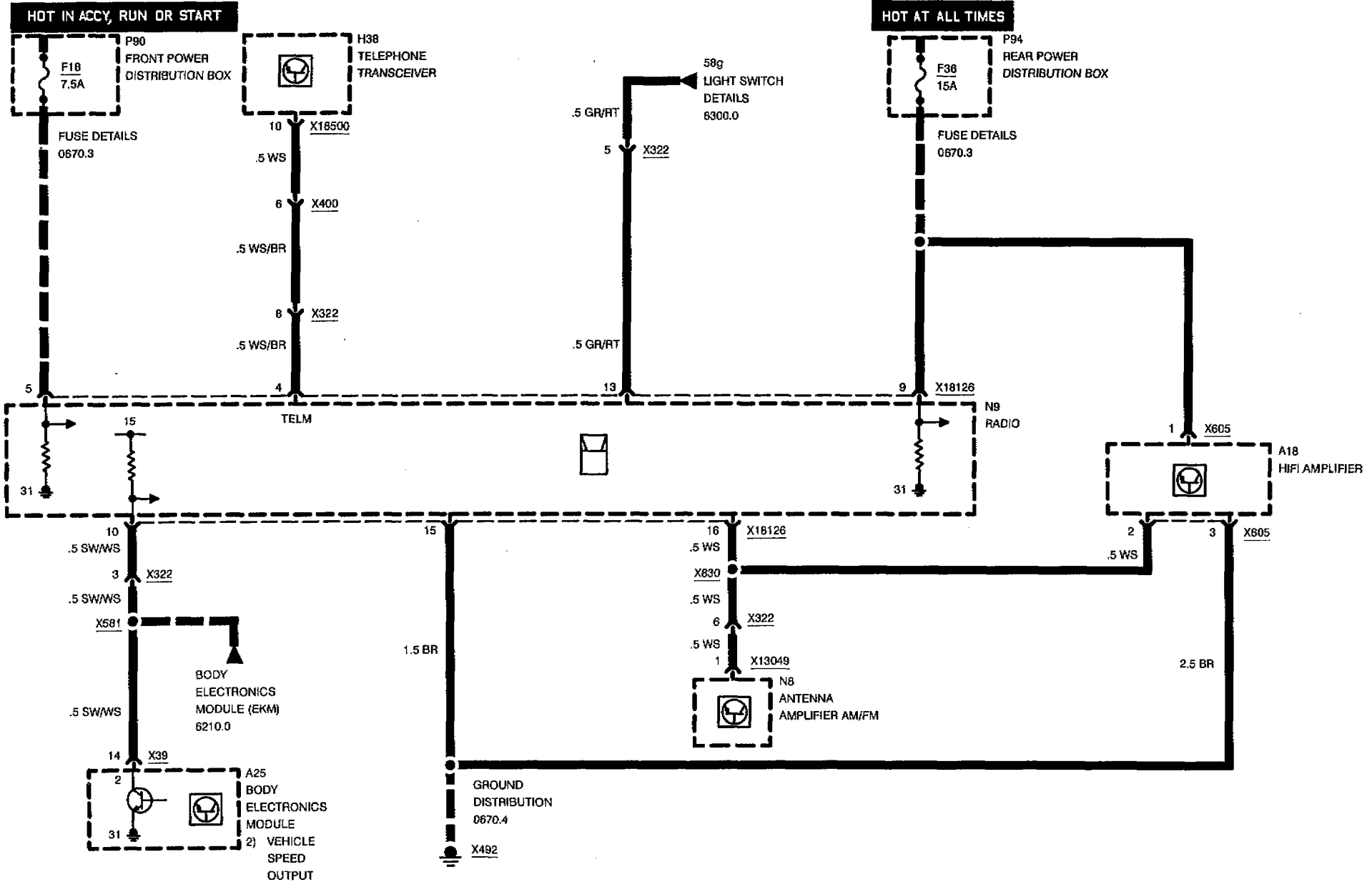
95/96





RADIO/HIFI

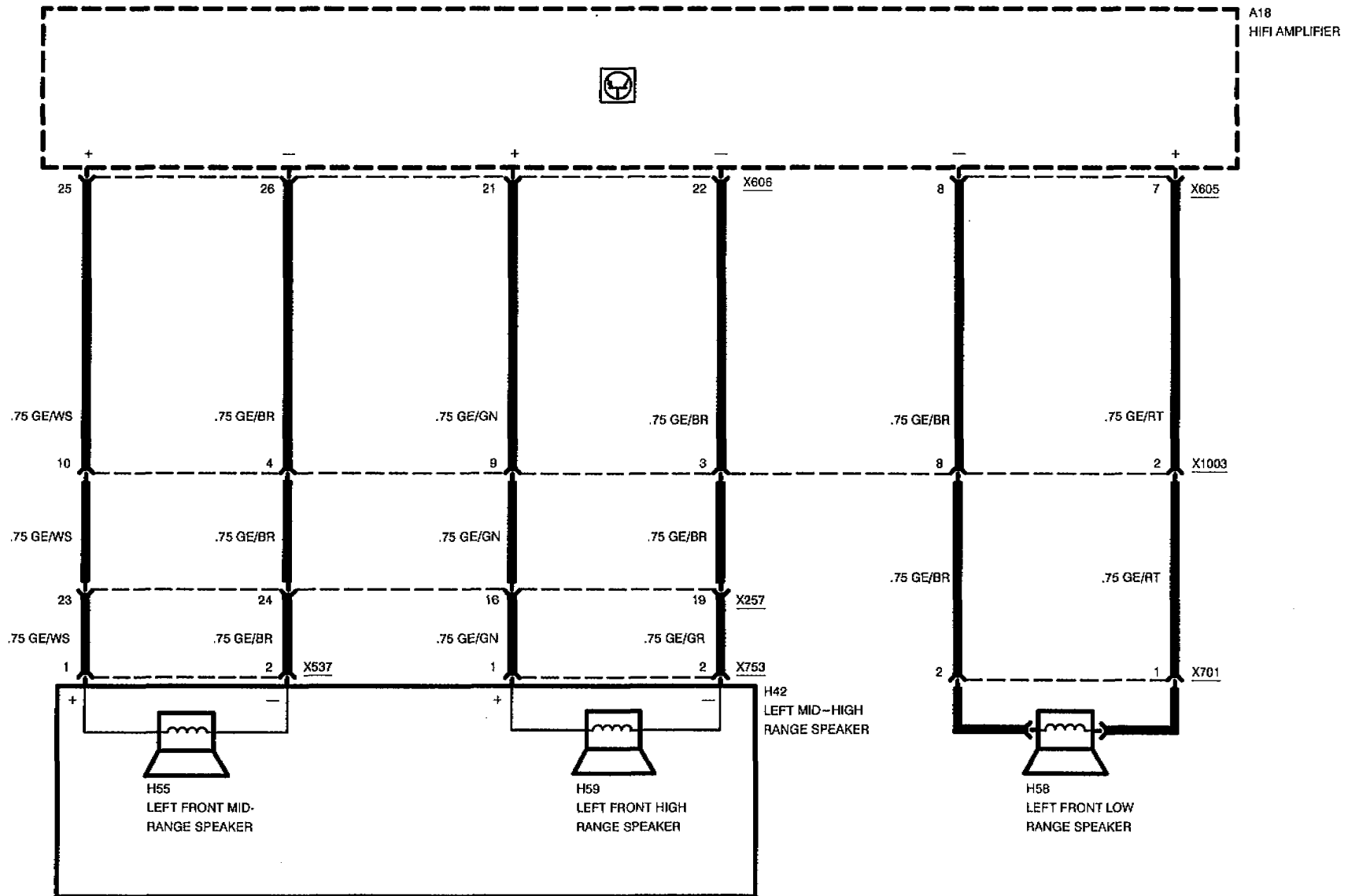
HIFI, 10-SPEAKER SYSTEM





RADIO/HIFI

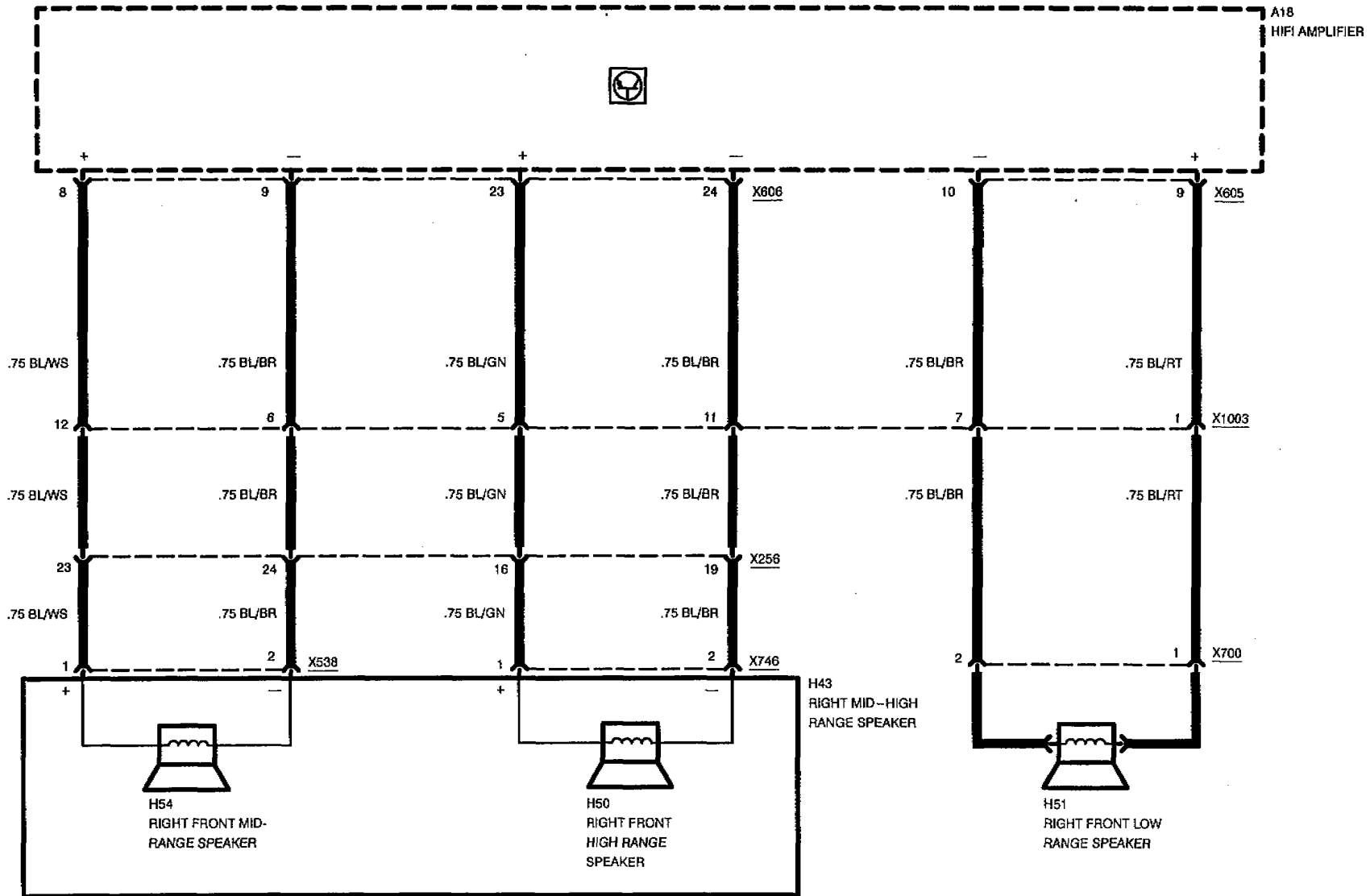
HIFI, 10-SPEAKER SYSTEM





RADIO/HIFI

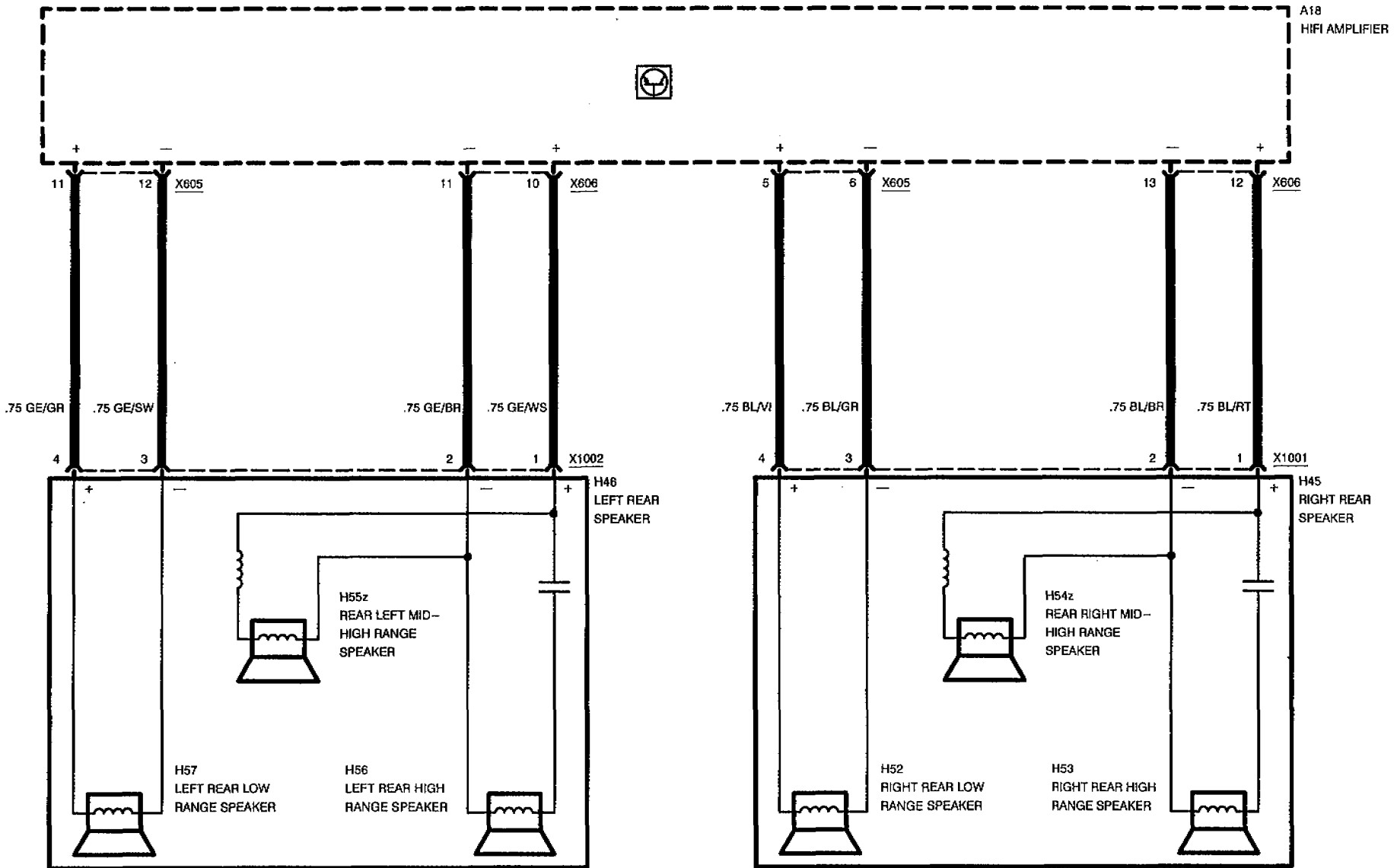
HIFI, 10-SPEAKER SYSTEM





RADIO/HIFI

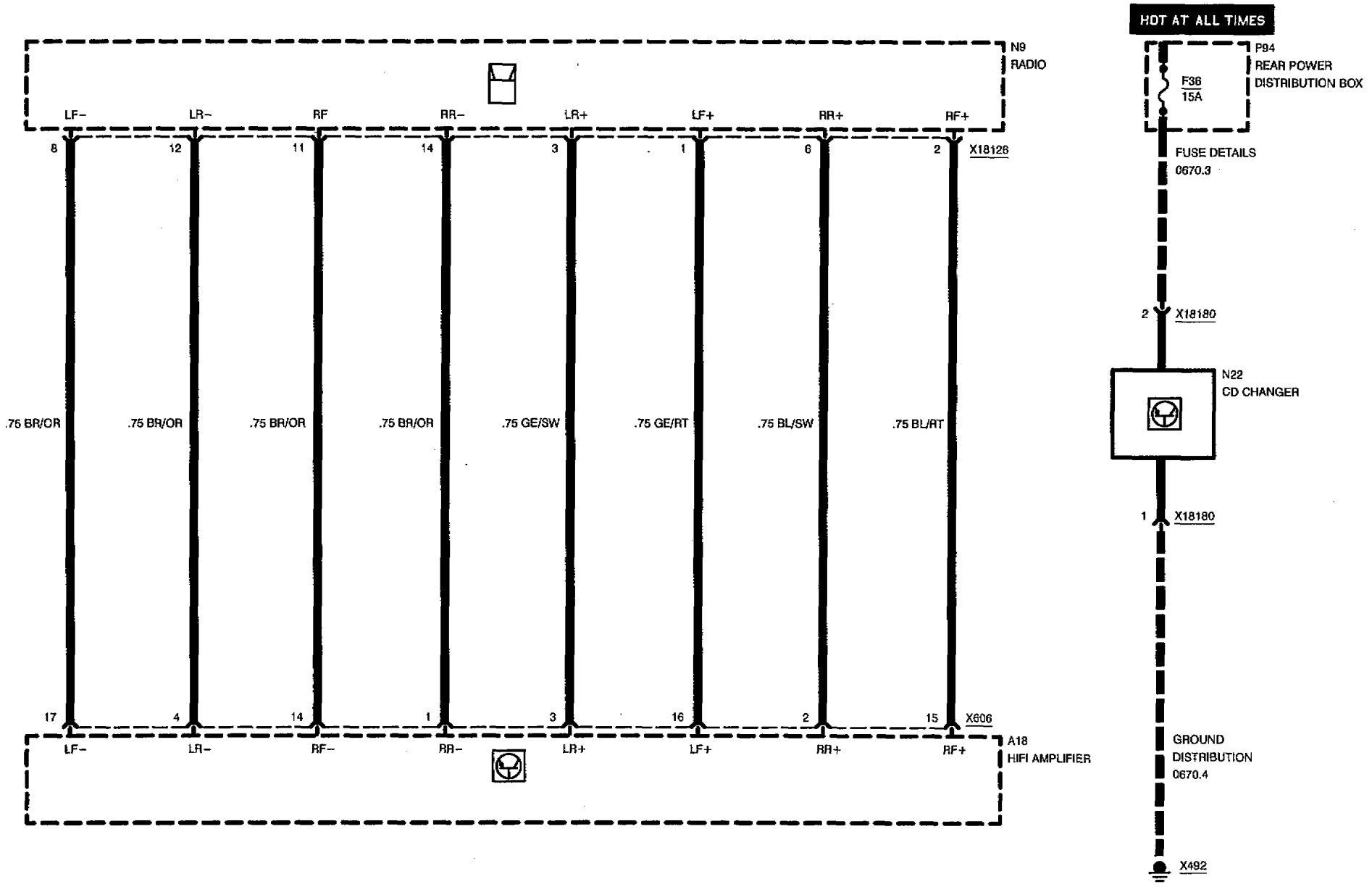
HIFI, 10-SPEAKER SYSTEM





RADIO/HIFI

HIFI, 10-SPEAKER SYSTEM (ONE COMPONENT)

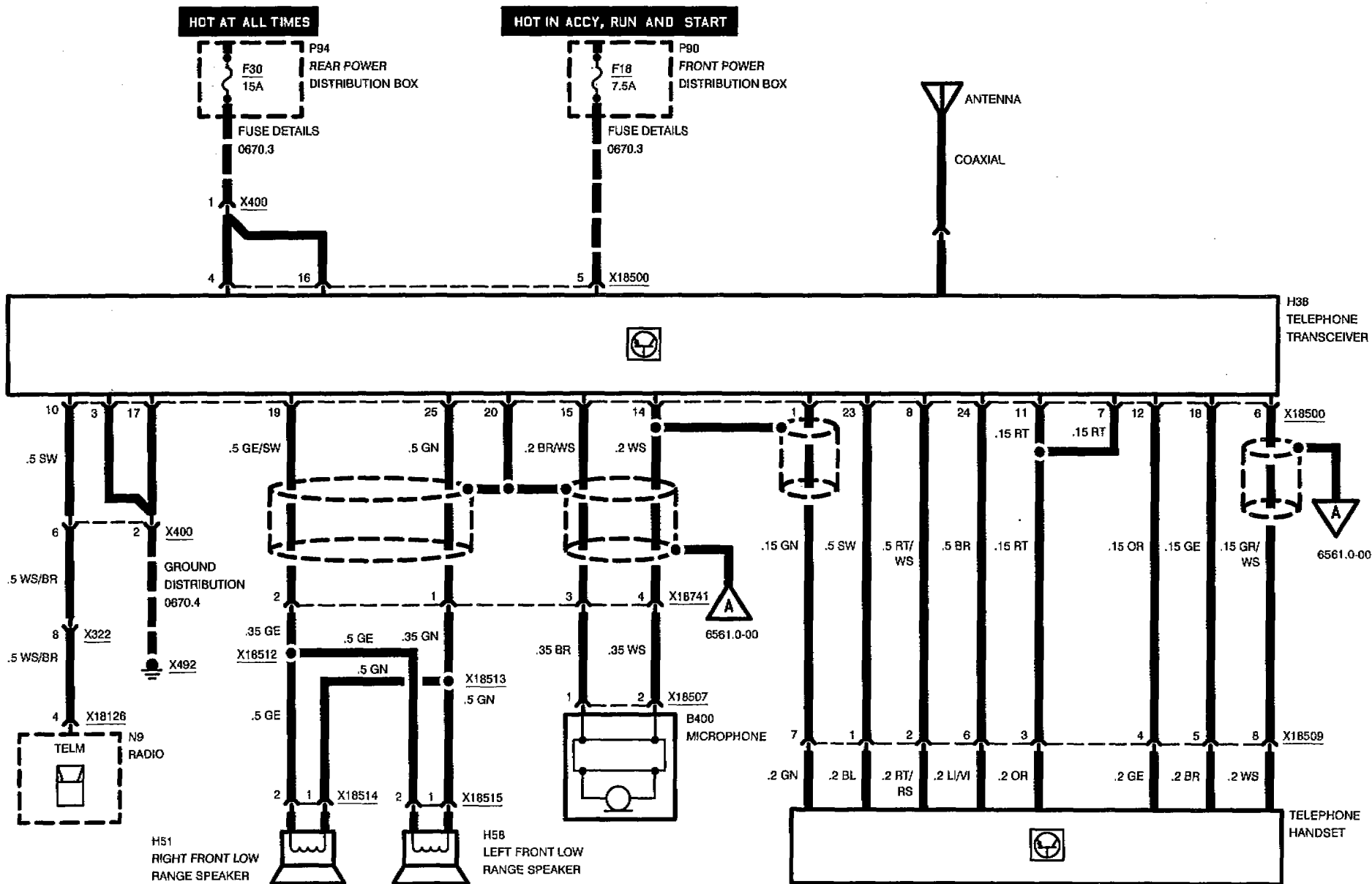






CELLULAR TELEPHONE (PROVISIONS)

AMPS SYSTEM

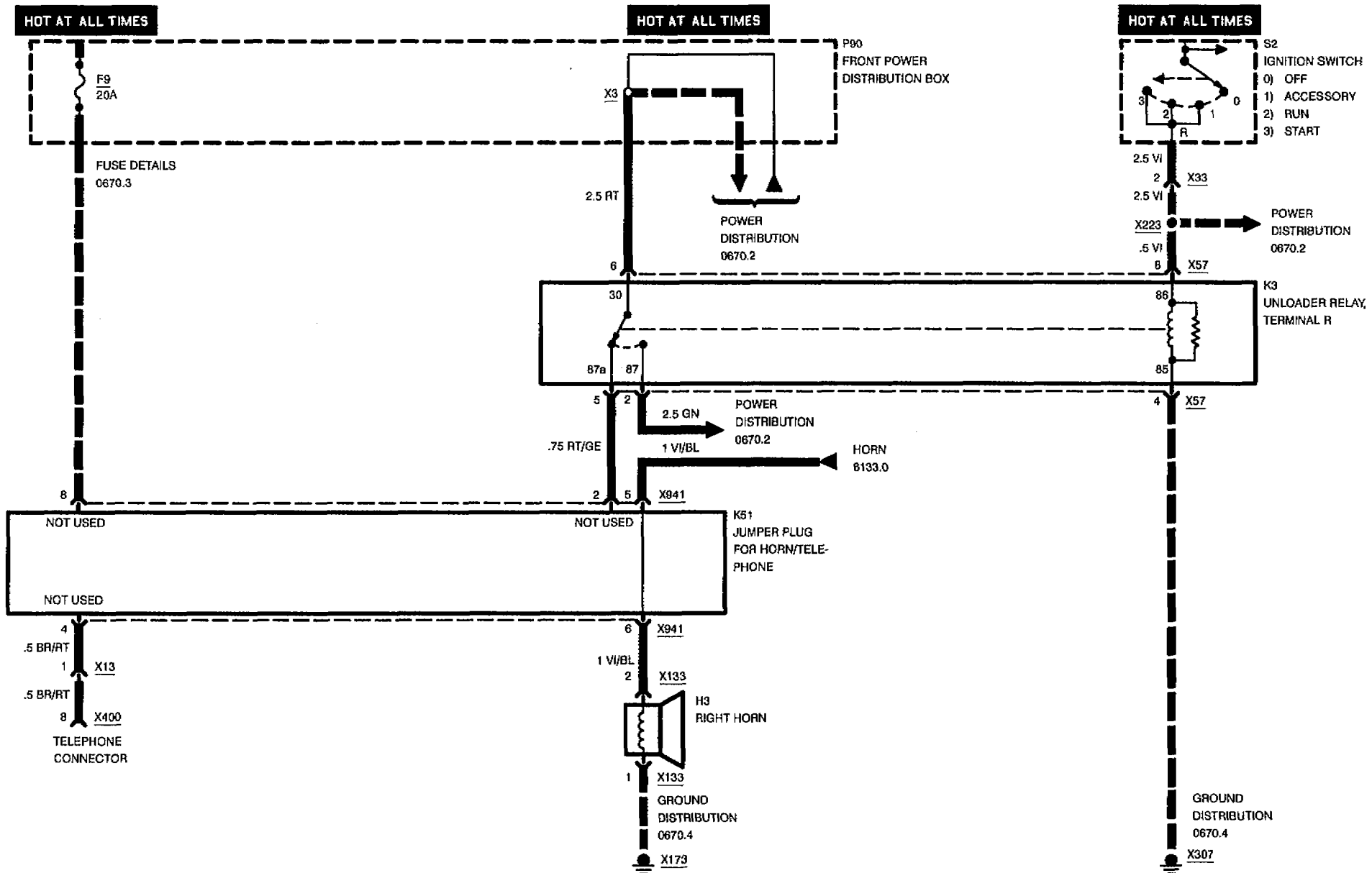


02/97

6561.0-00

95/96

BMW
8 **CELLULAR TELEPHONE (PROVISIONS)**





CRUISE CONTROL (TEMPOMAT)

HOT IN RUN AND START

HOT IN ACCY, RUN OR START



FUSE DETAILS
0670.3

FUSE DETAILS
0670.3

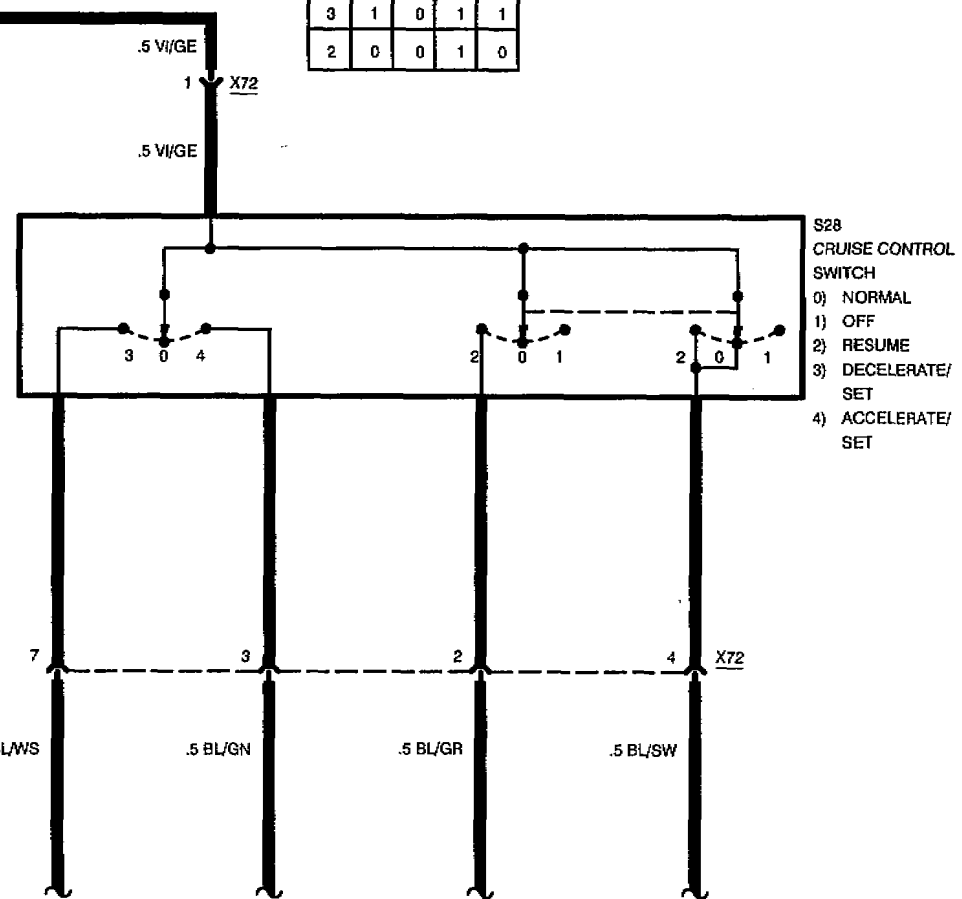
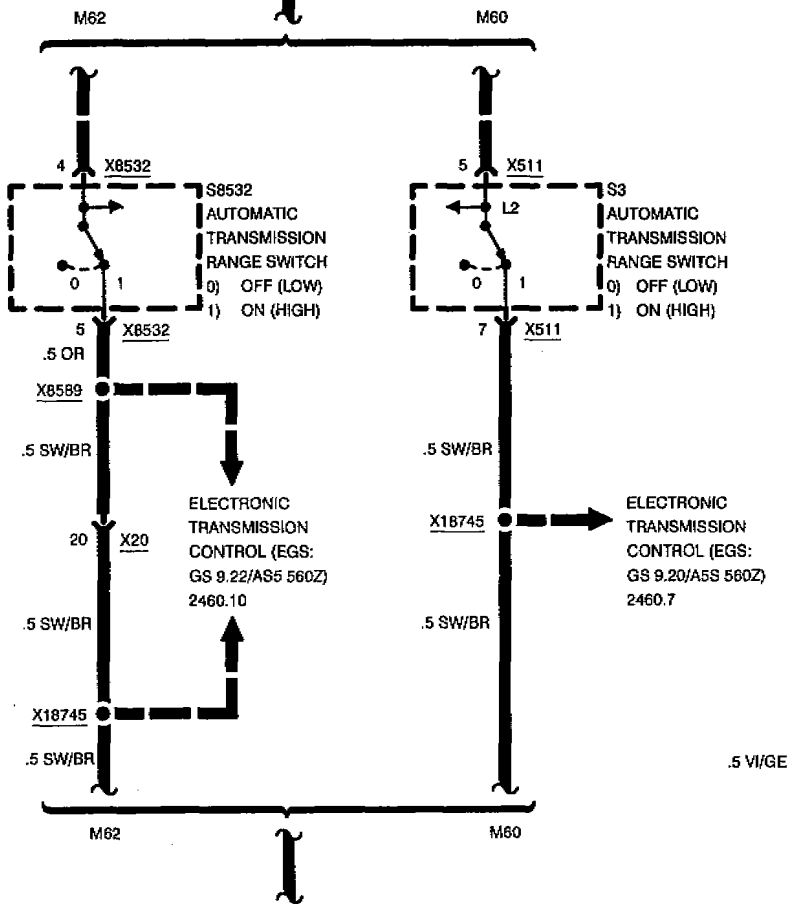
P90
FRONT POWER
DISTRIBUTION BOX

M60

	L1	L2	L3	L4
P	1	1	0	1
R	1	0	0	0
N	1	1	1	0
D	0	0	0	1
4	0	0	1	1
3	1	0	1	1
2	0	0	1	0

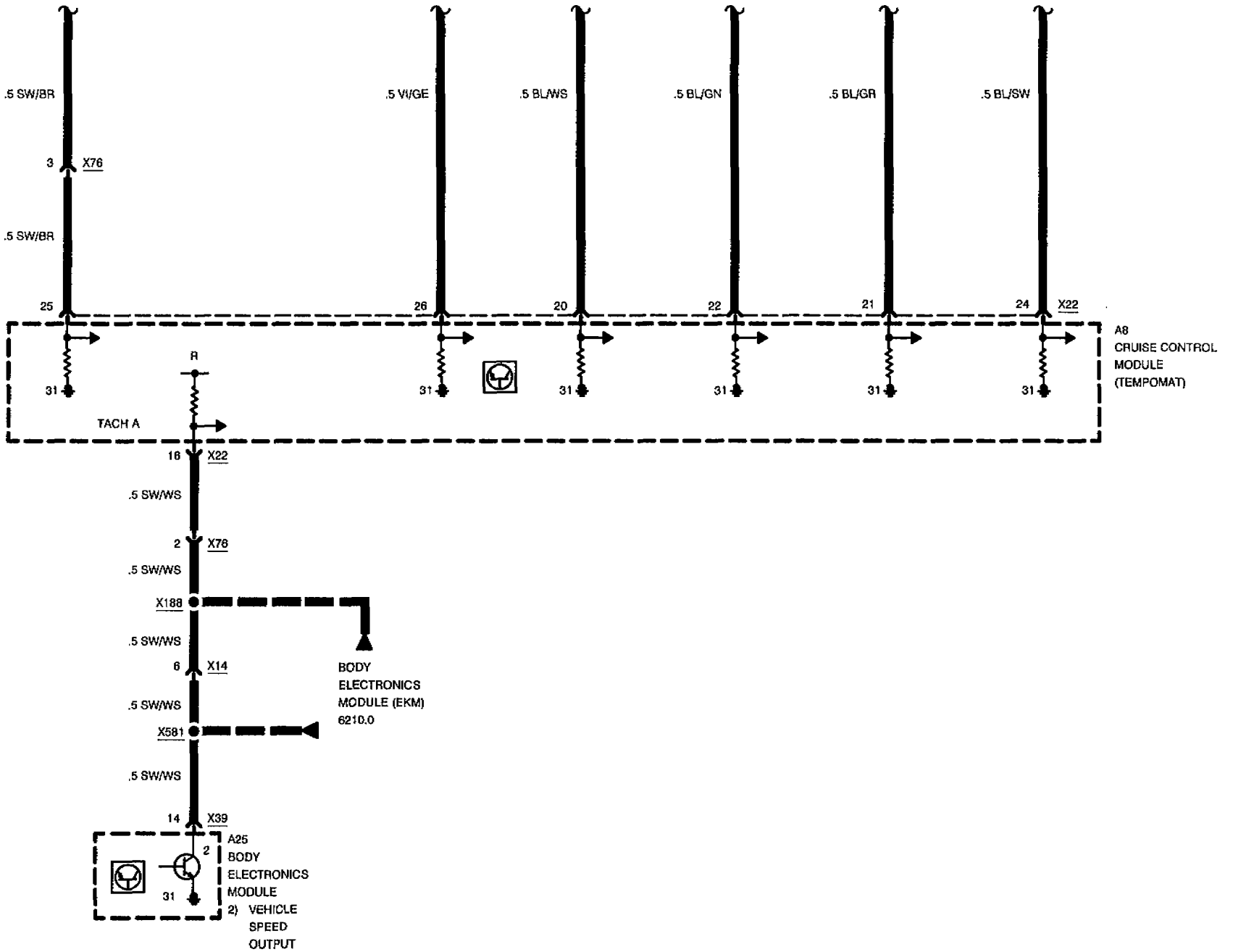
M62

	L1	L2	L3	L4
P	1	1	0	1
R	1	0	0	0
N	1	1	1	0
D	0	0	0	1



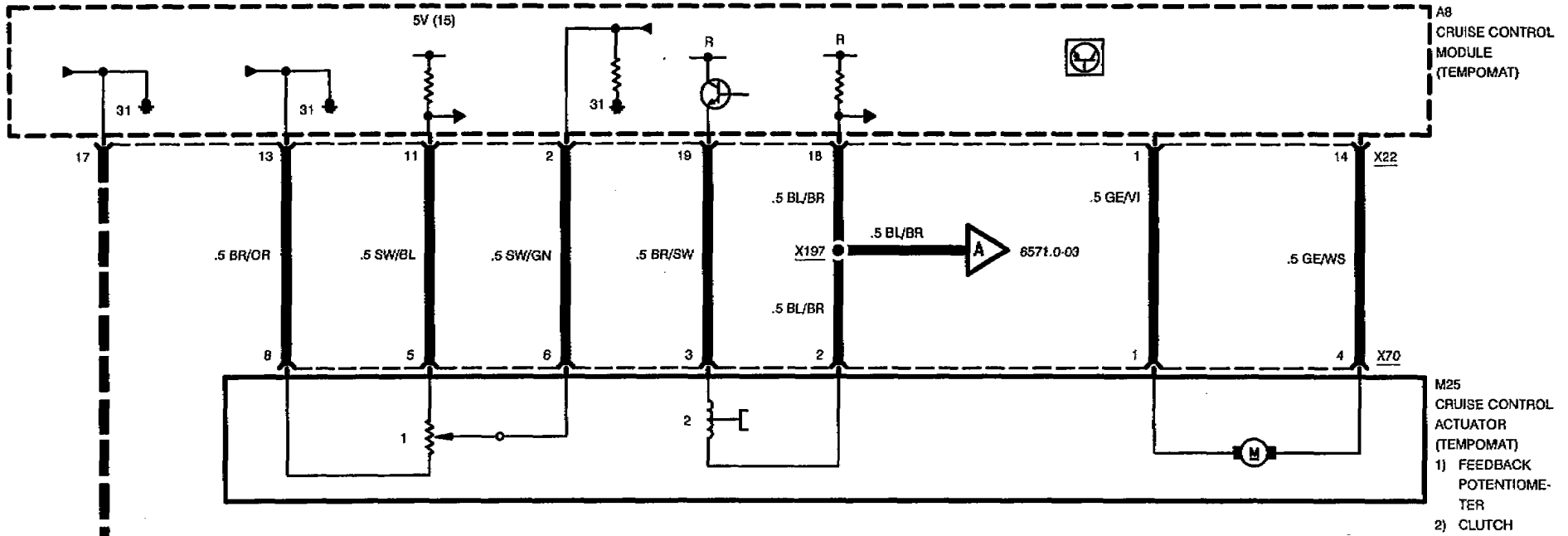
S28
CRUISE CONTROL
SWITCH

- 0) NORMAL
- 1) OFF
- 2) RESUME SET
- 3) DECELERATE/SET
- 4) ACCELERATE/SET





CRUISE CONTROL (TEMPOMAT)

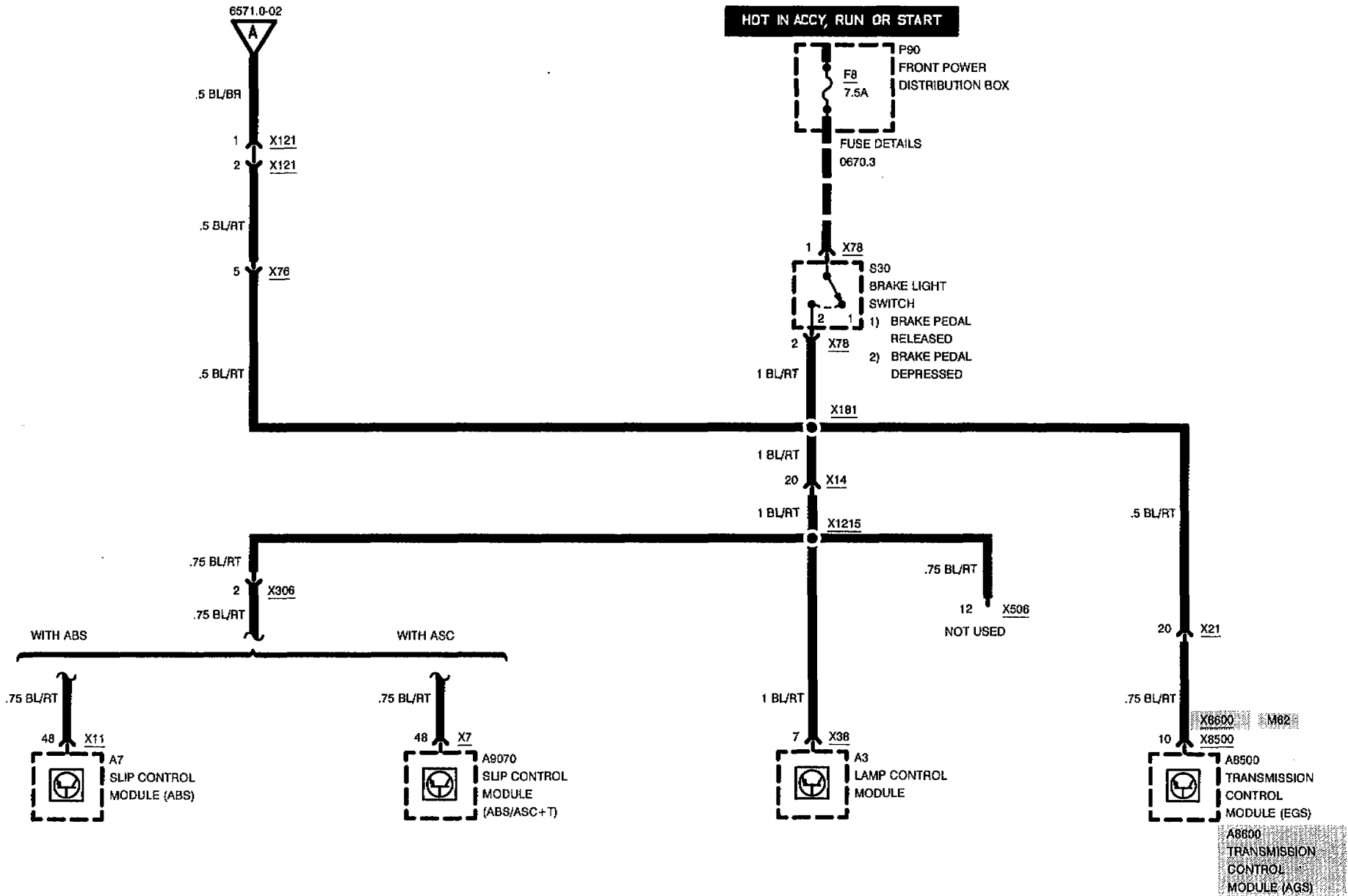


GROUND DISTRIBUTION 0670.4

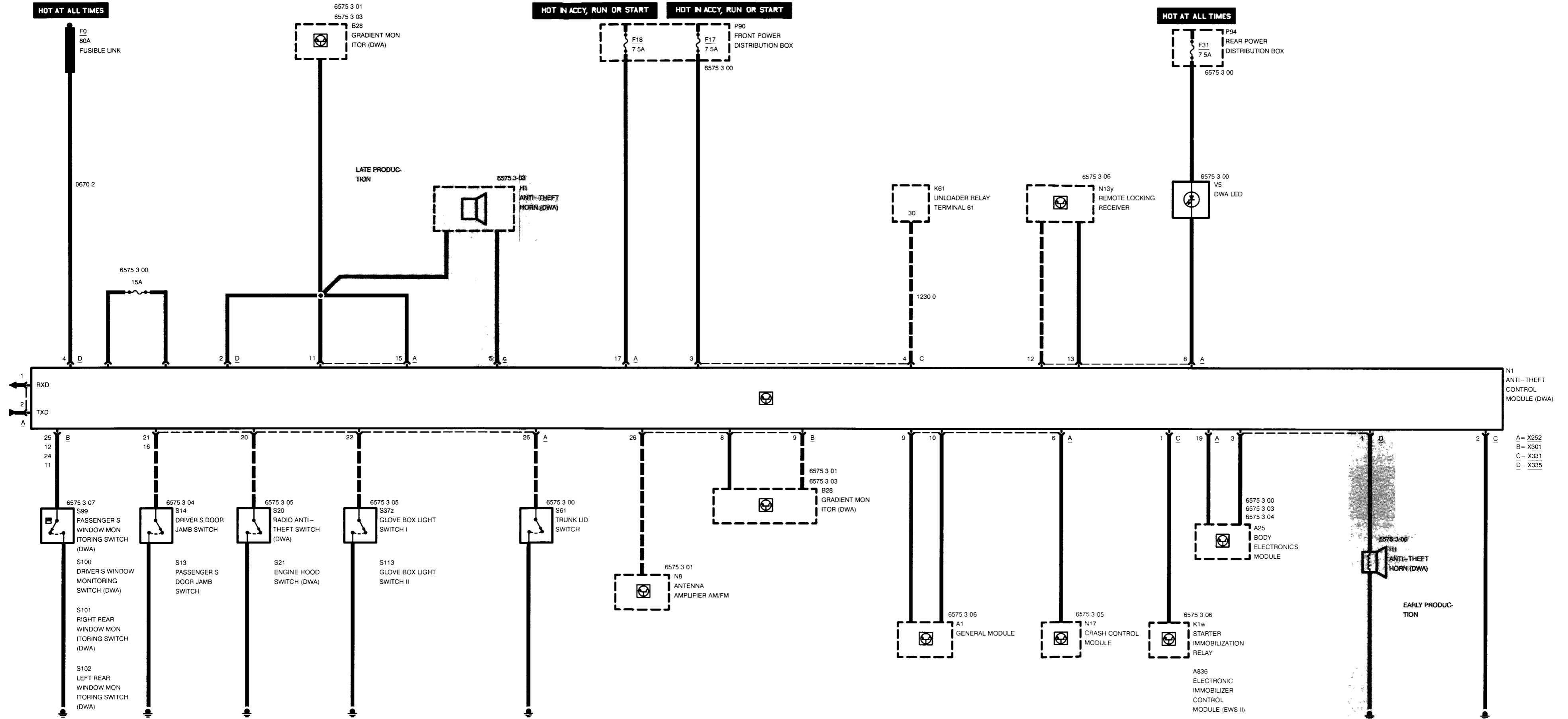
X497



CRUISE CONTROL (TEMPOMAT)

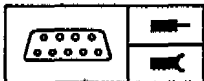






N1
ANTI-THEFT
CONTROL
MODULE (DWA)

A= X252
B= X301
C= X331
D= X335



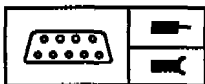
Pin Assignments

A=X252	26 pins, black
B=X301	26 pins, white
C=X331	5 pins, black
D=X335	4 pins, green

X252

Pin	Type	Description/Function	Connection
1	E	Diagnostic link RxD	Diagnostic connector
2	E/A	Diagnostic link TxD	Diagnostic connector
3		Not used	
4		Not used	
5		Not used	
6	A	Flash exterior lamps signal	Crash control unit
7		Not used	
8	A	Status-LED	DWA LED
9	E	Lock signal ZS1N	General module
10	E	Lock signal ZS1	General module
11	E	Lock signal ZS21 simulation	Connector Terminal 30
12	E	Interface RC Locking System	Remote locking receiver
13	E	Lock signal ZS22 simulation	Remote locking receiver
14		Not used	
15	E	Lock signal HKS simulation	Connector terminal 30
16	E	Passenger's door contact input	Passenger's door jamb switch
17	E	Connection terminal R	Fuse 18
18		Not used	
19	E	Position pulse	EKM control unit
20	E	Engine hood/radio status	Engine hood/radio switches
21	E	Driver's door contact input	Driver's door jamb switch
22	E	Glove box door status	Glove box door switches
23		Not used	
24		Not used	

E = Input, A = Output, M = Ground



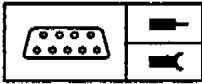
Pin Assignments

Pin	Type	Description/Function	Connection
25		Not used	
26	E	Trunk lid status signal	Trunk lid switch

X301

Pin	Type	Description/Function	Connection
1		Not used	
2		Not used	
3		Not used	
4		Not used	
5		Not used	
6		Not used	
7		Not used	
8	E	Tilt signal	Gradient monitor
9	A	Tilt signal	Gradient monitor
10		Not used	
11	E	Left rear window status	Left rear window switch
12	E	Driver's window status	Driver's window switch
13		Not used	
14		Not used	
15		Not used	
16		Not used	
17		Not used	
18		Not used	
19		Not used	
20		Not used	
21		Not used	
22		Not used	
23		Not used	
24	E	Right rear window status	Right rear window status

E = Input, A = Output, M = Ground



Pin Assignments

Pin	Type	Description/Function	Connection
25	E	Passenger's window status	Passenger's window status
26	E	Rear window status	Antenna amplifier AM/FM

X331

Pin	Type	Description/Function	Connection
1	A	Drive-away protection	Starter immobilization relay (Early Production) Electronic immobilizer control module EWS II (Late Production)
2	E	Ground	Body ground
3	E	Terminal 15	Fuse 17
4	E	Terminal 61E	Unloader relay terminal 61
5	A	Alarm horn connection	Alarm horn (Late Production)

X335

Pin	Type	Description/Function	Connection
1	A	Alarm horn connection	Alarm horn (Early Production)
2	A	Terminal 30 for tilt sensor/auxiliary module	Connector NG/ZM
3	E	Input BC-Horn	Body electronics module
4	E	Terminal 30 voltage	Fusible link

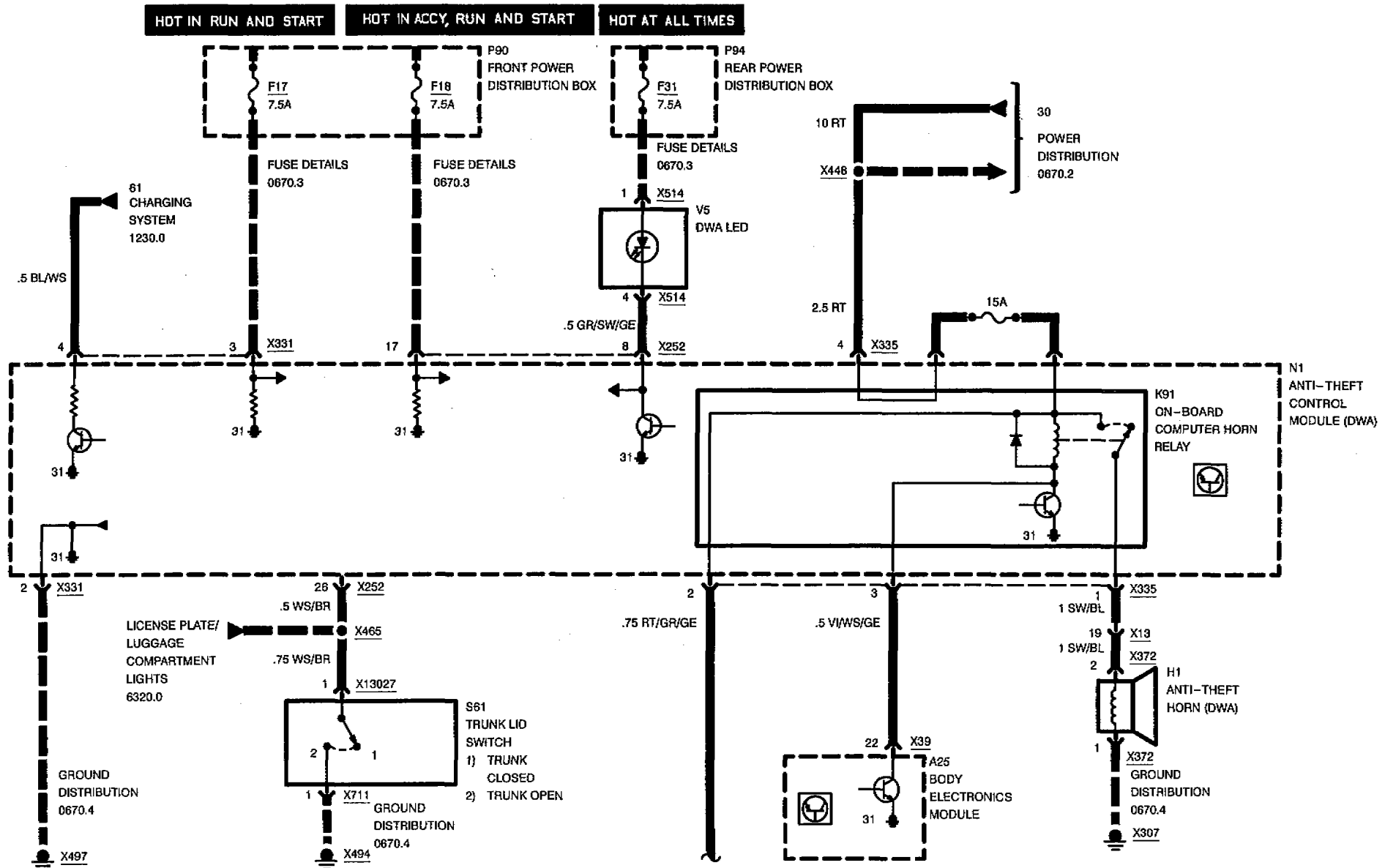
E = Input, A = Output, M = Ground



ANTI-THEFT SYSTEM IV (DWA IV)

EARLY PRODUCTION

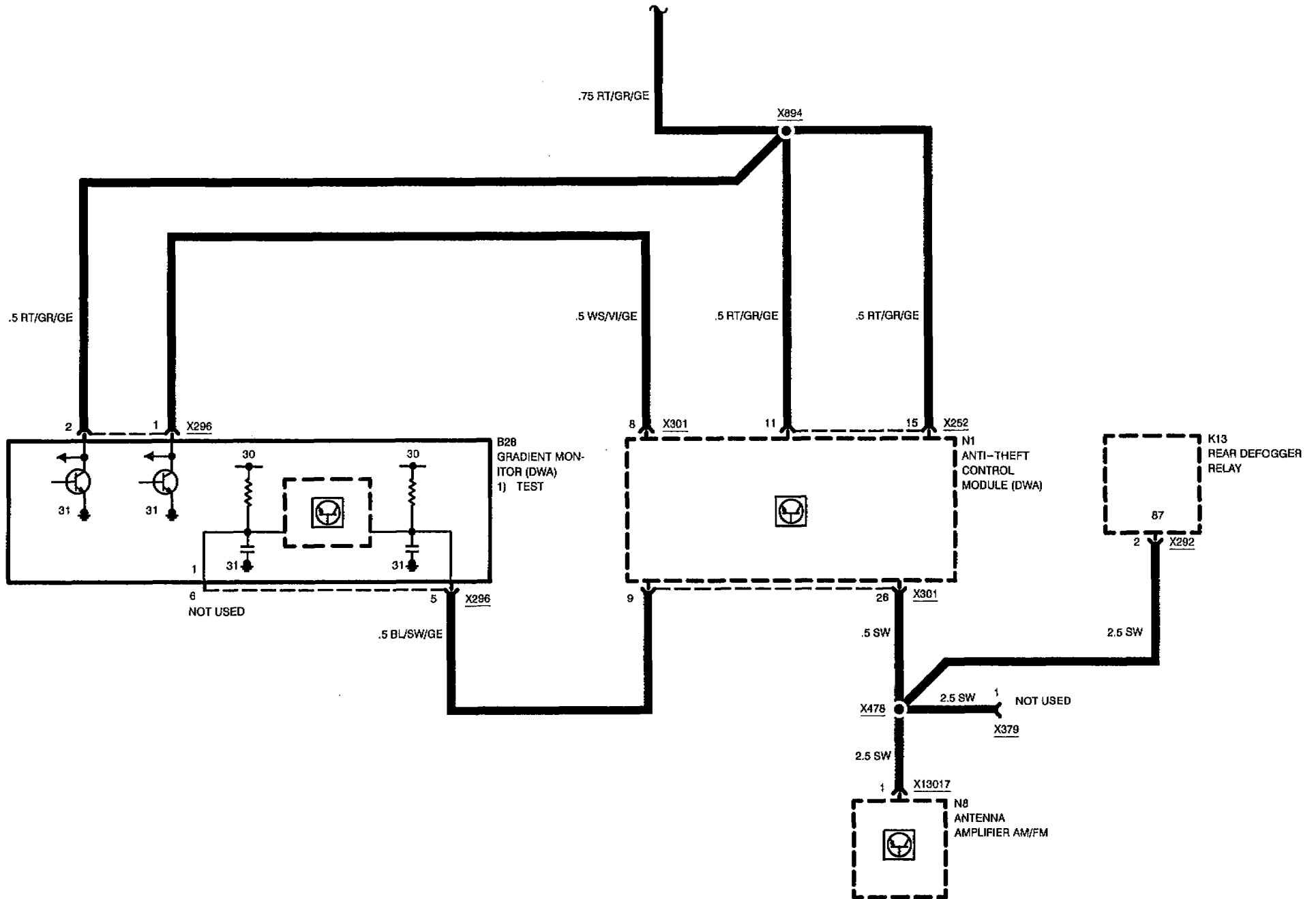
POWER, ENGINE RUNNING/TRUNK INPUT, ANTI-THEFT HORN, GRADIENT MONITOR, REAR WINDOW MONITOR



02/97

6575.3-00

95/96

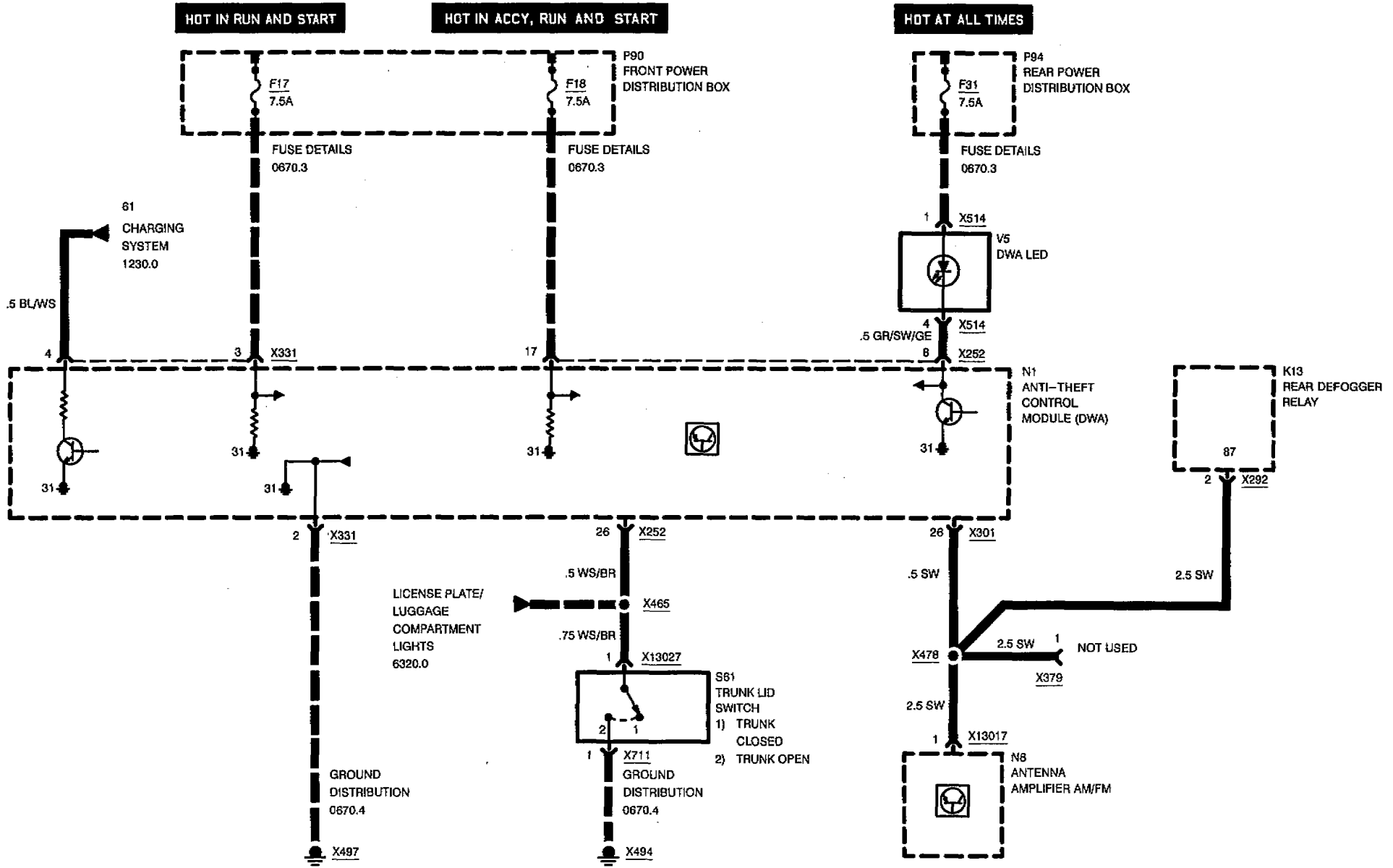




ANTI-THEFT SYSTEM IV (DWA IV)

POWER, ENGINE RUNNING INPUT, REAR WINDOW MONITOR

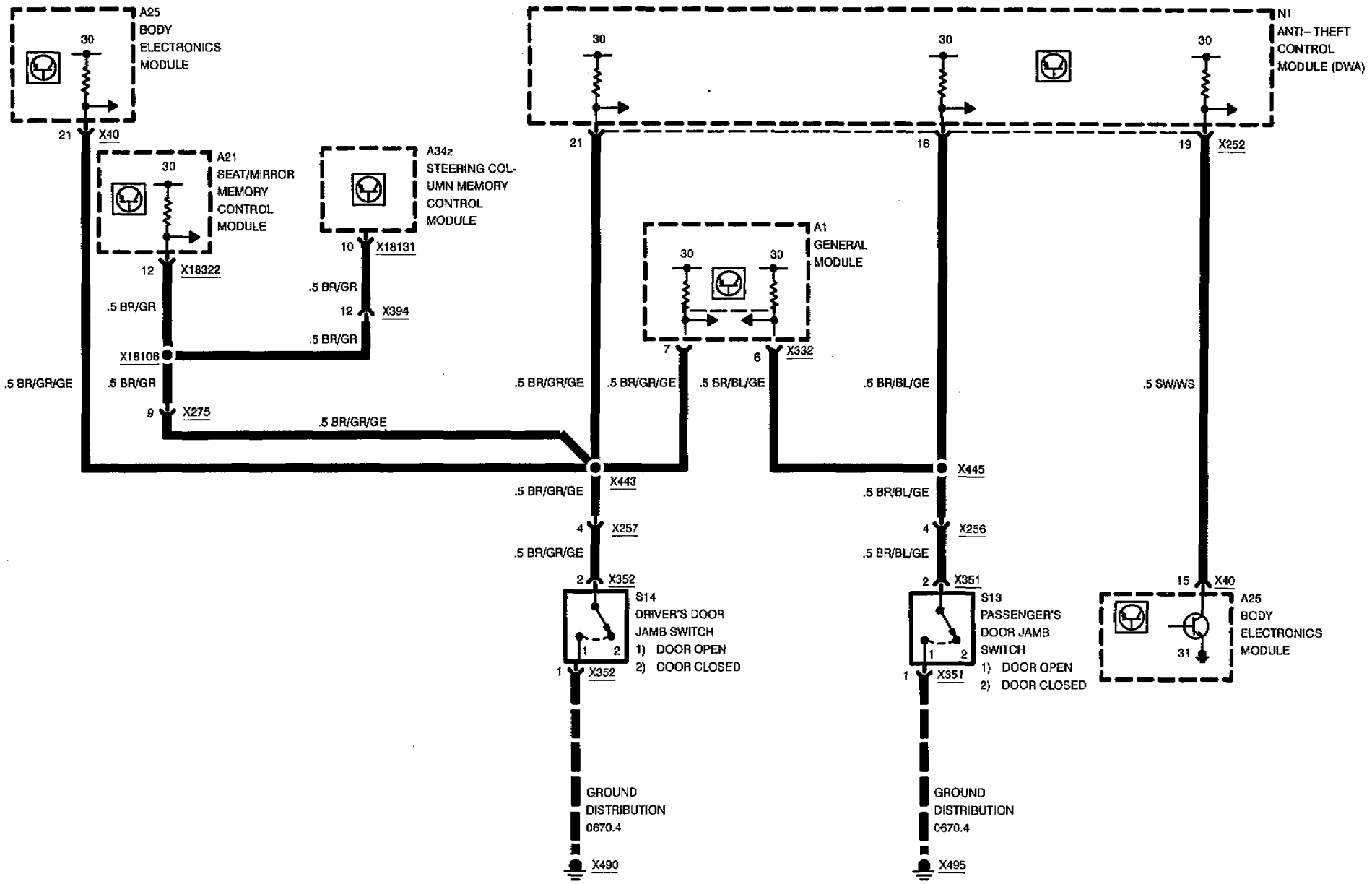
LATE PRODUCTION





ANTI-THEFT SYSTEM IV (DWA IV)

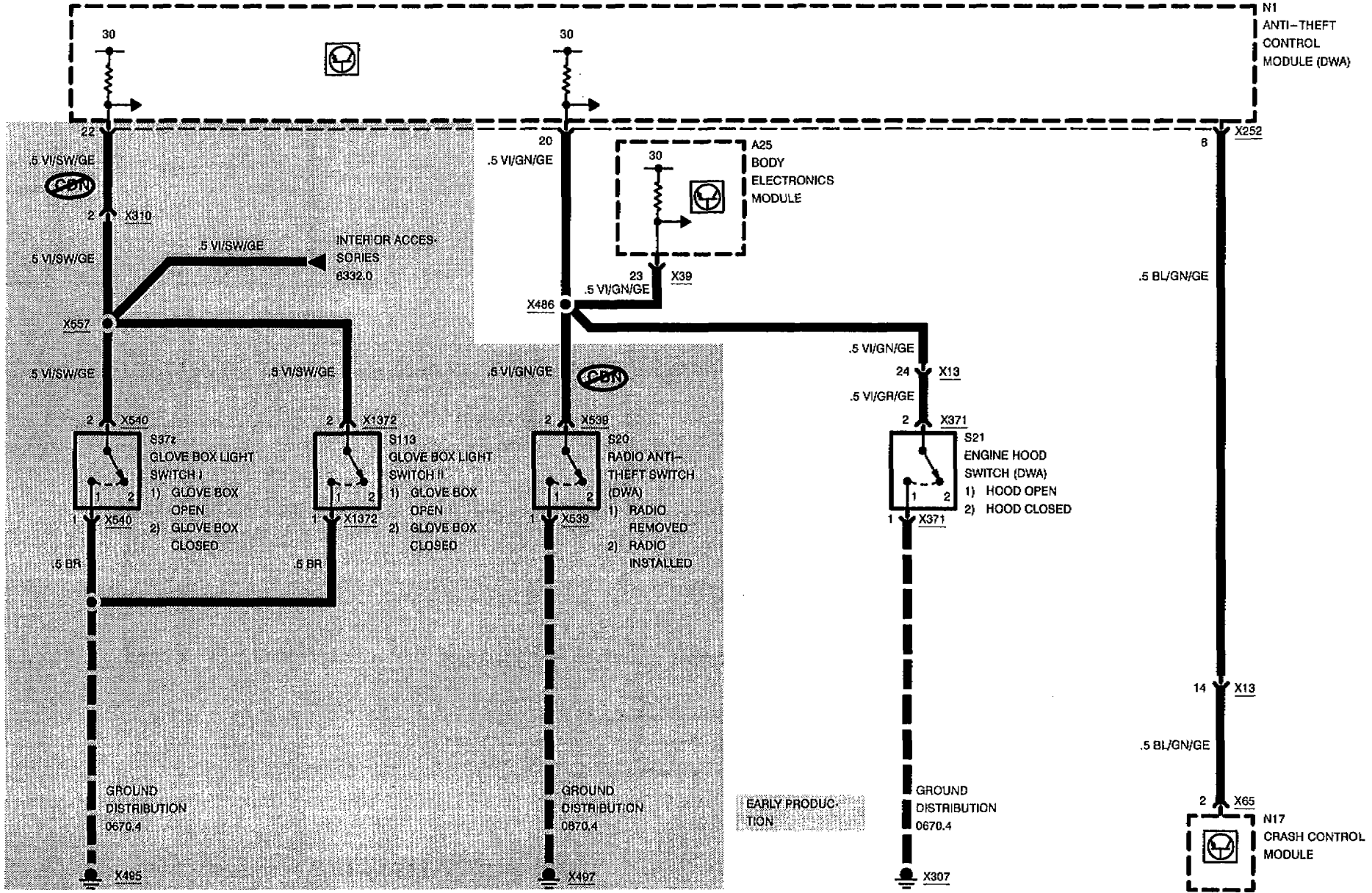
DOOR CONTACTS





ANTI-THEFT SYSTEM IV (DWA IV)

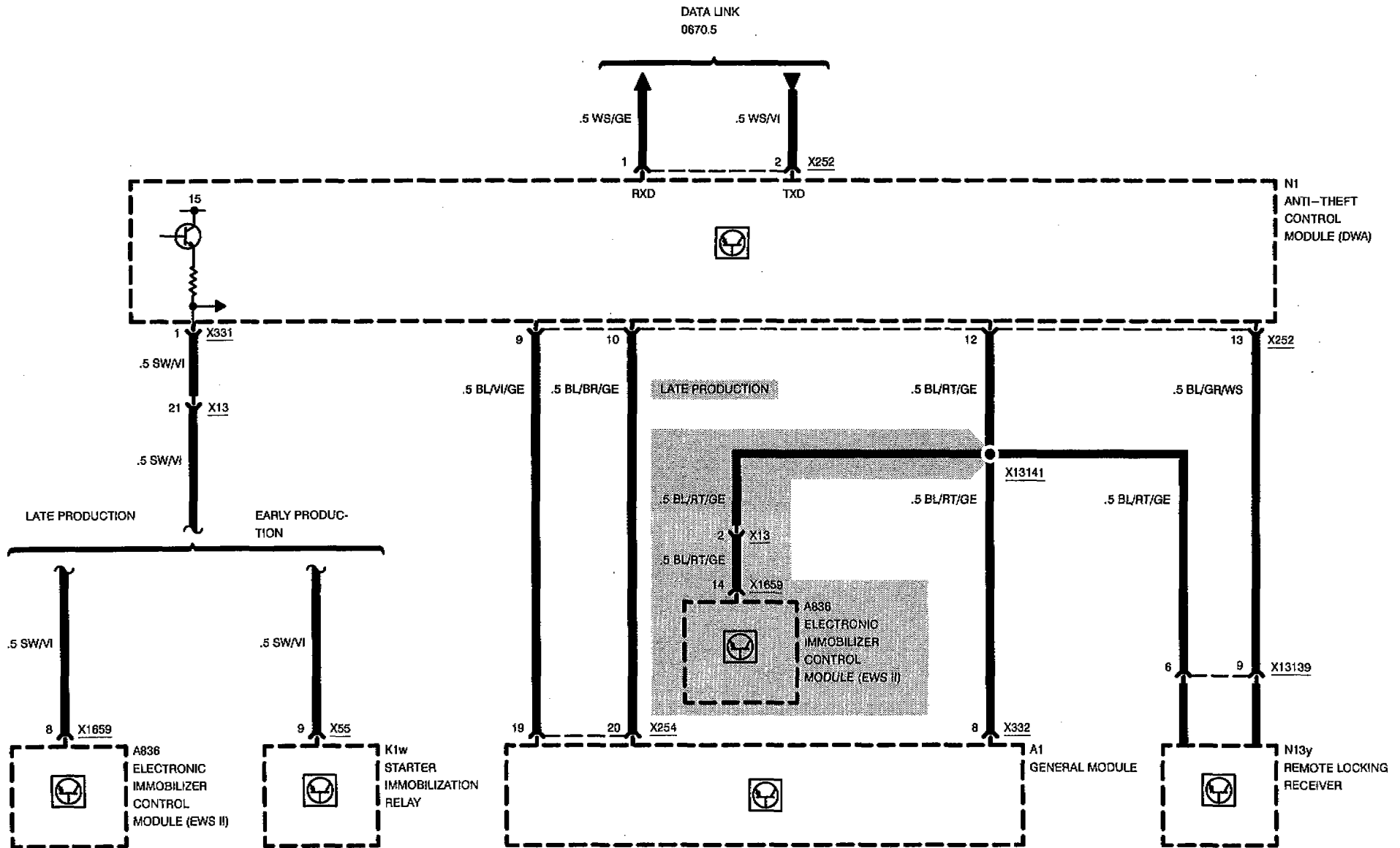
GLOVE BOX, RADIO, ENGINE HOOD INPUTS AND VISUAL ALARM





ANTI-THEFT SYSTEM IV (DWA IV)

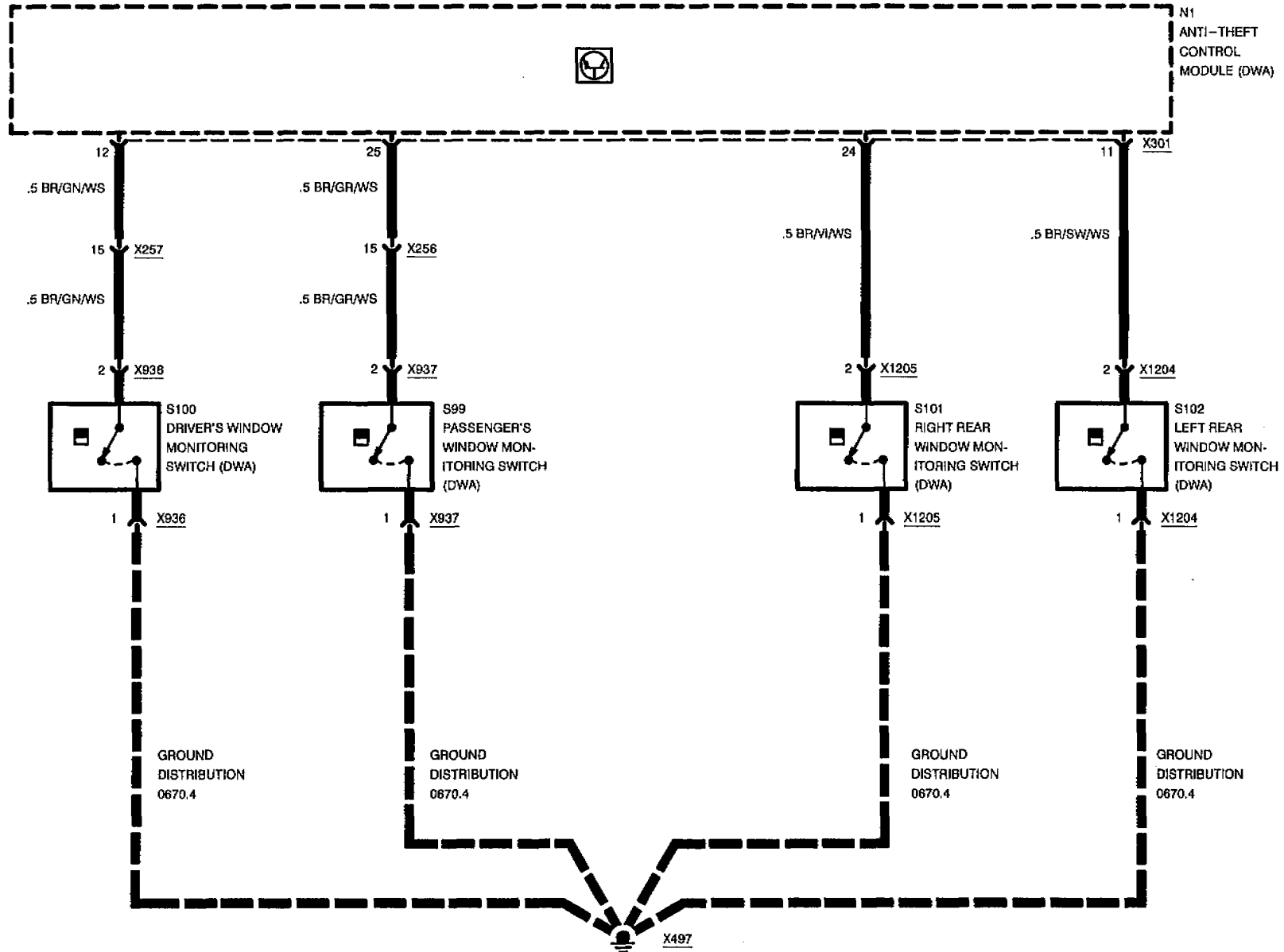
DATA LINK, DRIVE-AWAY PROTECTION, QZV





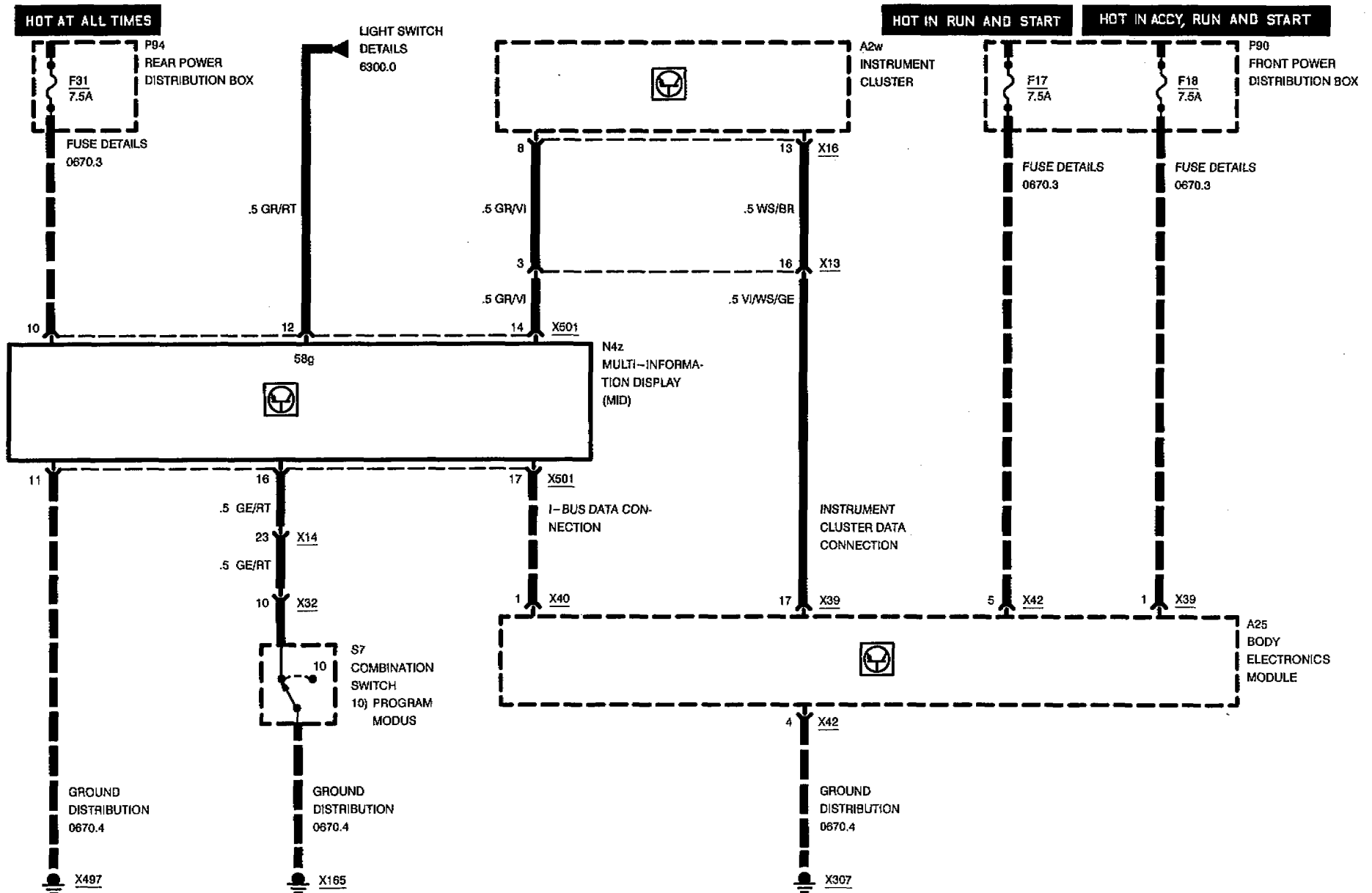
ANTI-THEFT SYSTEM IV (DWA IV)

FRONT AND REAR WINDOW SWITCHES





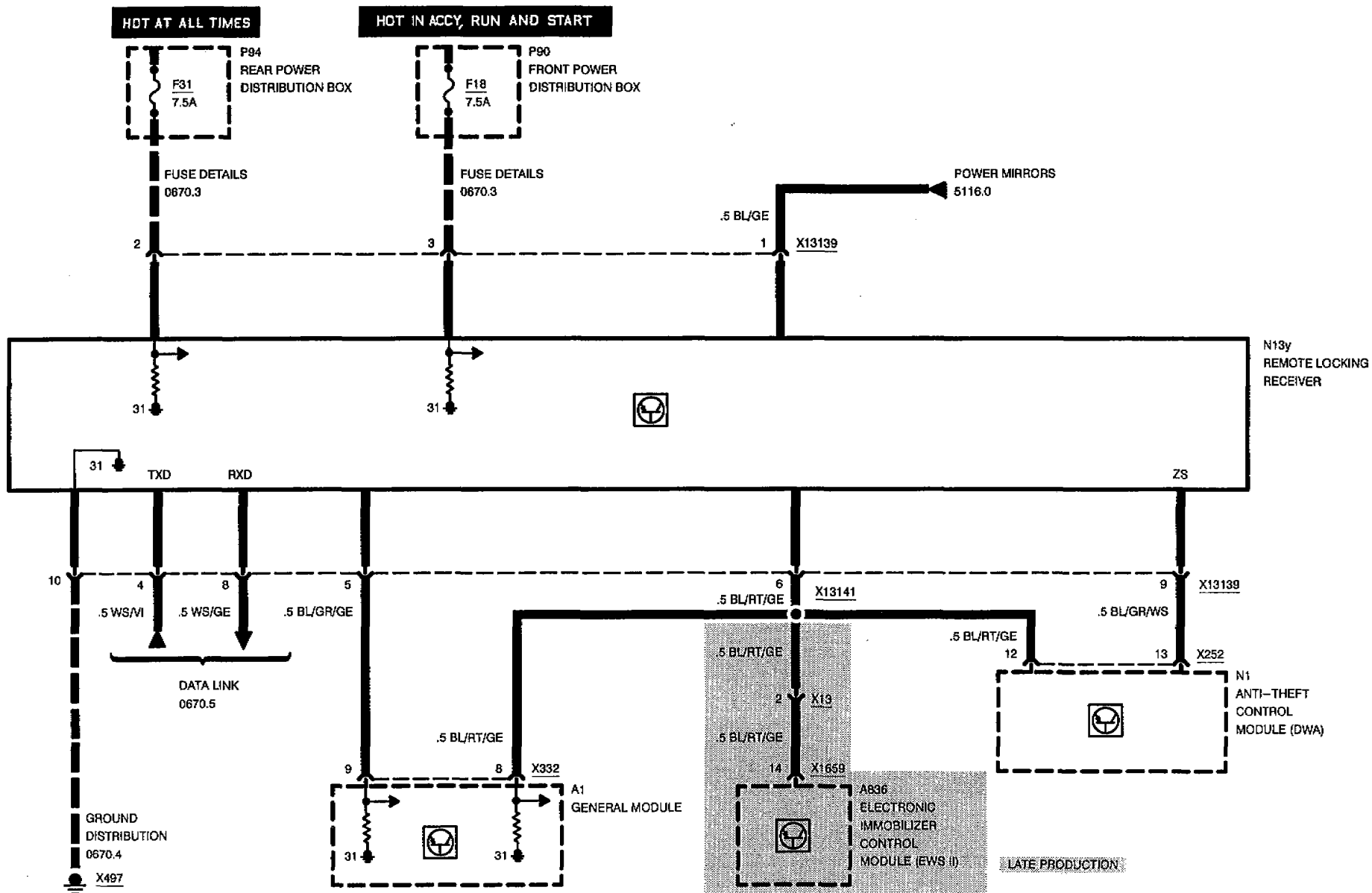
MULTI-INFORMATION DISPLAY (MID)







REMOTE CONTROLLED LOCKING SYSTEM



BMW
8

7000.0



COMPONENT LOCATION CHART

COMP.	DESCRIPTION	LOCATION	7100.0	8500.0
A1	GENERAL MODULE	below LH side of dash	02-1	
A1	GENERAL MODULE	below LH side of dash	26-1	
A2w	INSTRUMENT CLUSTER	LH side of dash		
A3	LAMP CONTROL MODULE	below LH side of dash	02-1	
A3	LAMP CONTROL MODULE	below LH side of dash	26-2	
A5	RELAY MODULE	inside box on interior side of LH door sill	02-3	
A5	RELAY MODULE	inside box on interior side of LH door sill	25-2	
A7	SLIP CONTROL MODULE (ABS)	LH footwell		
A8	CRUISE CONTROL MODULE (TEMPOMAT)	in RH side of luggage compartment	00-3	
A11	AUTOMATIC HEATING/AC CONTROL MODULE (IHKA)	between front footwells		
A12	SUPPLEMENTAL RESTRAINT SYSTEM CONTROL MODULE	below ashtray		
A15	PARK HEATING/VENTILATION RELAY BOX	below RH side of dash	03-3	
A18	HIFI AMPLIFIER	in LH forward side of luggage compartment	01-2	
A18	HIFI AMPLIFIER	in LH forward side of luggage compartment	40-1	
A21	SEAT/MIRROR MEMORY CONTROL MODULE	underside of LH front seat		
A22z	ELECTROCHROMIC REAR VIEW MIRROR	in rear view mirror		
A23	DRIVER'S DOOR MODULE	in lower LH front door	04-2	
A23	DRIVER'S DOOR MODULE	in lower LH front door	35-3	
A24	PASSENGER'S DOOR MODULE	in lower RH front door	04-2	
A24	PASSENGER'S DOOR MODULE	in lower RH front door	35-3	



COMPONENT LOCATION CHART

COMP.	DESCRIPTION	LOCATION	7100.0	8500.0
A25 ...	BODY ELECTRONICS MODULE	below LH side of dash	02-1	
A25 ...	BODY ELECTRONICS MODULE	below LH side of dash	26-1	
A26 ...	LOCK-SENSOR CONTROL MODULE	LH side of LH footwell	03-2	
A26 ...	LOCK-SENSOR CONTROL MODULE	LH side of LH footwell	28-2	
A33 ...	SUNROOF MODULE	center of windshield header	04-3	
A33 ...	SUNROOF MODULE	center of windshield header	31-1	
A34w .	STEERING COLUMN MEMORY CONTROL MODULE	center of dash behind radio		
A34z ..	STEERING COLUMN MEMORY CONTROL MODULE	center of dash behind radio		
A82 ...	SUN BLIND CONTROL MODULE	at back of rear window shelf	00-1	
A82 ...	SUN BLIND CONTROL MODULE	at back of rear window shelf	13-3	
A113 .	SEAT OCCUPANCY DETECTOR	in passenger's seat area		
A413 .	ELECTRONIC SHOCK ABSORBER CONTROL MODULE (EDC)	in RH side of luggage compartment	00-2	
A413 .	ELECTRONIC SHOCK ABSORBER CONTROL MODULE (EDC)	in RH side of luggage compartment	38-3	
A417 .	AUTOMATIC AIR RECIRCULATION CONTROL MODULE	behind RH footwell speaker grille	04-1	
A417 .	AUTOMATIC AIR RECIRCULATION CONTROL MODULE	behind RH footwell speaker grille	29-3	
A835 .	TRANSMITTER MODULE (EWS II)	RH side of steering column		
A836 .	ELECTRONIC IMMOBILIZER CONTROL MODULE (EWS II)	behind glove box		



COMPONENT LOCATION CHART

COMP.	DESCRIPTION	LOCATION	7100.0	8500.0
A6000	ENGINE CONTROL MODULE (DME)	in E-Box (840Ci)		
A6004	THROTTLE CONTROL MODULE (EML)	rear RH side of engine compartment in E-Box (850Ci, 850CSi)	05-2	
A6010	CYL. 1-6 ENGINE CONTROL MODULE (DME)	rear RH side of engine compartment in E-Box (850Ci, 850CSi)	05-2	
A6020	CYL. 7-12 ENGINE CONTROL MODULE (DME)	rear RH side of engine compartment in E-Box (850Ci, 850CSi)	05-2	
A8500	TRANSMISSION CONTROL MODULE (EGS)	rear RH side of engine compartment in E-Box		
A8500	TRANSMISSION CONTROL MODULE (EGS)	in RH rear side of luggage compartment (850Ci, 850CSi)	38-2	
A8600	TRANSMISSION CONTROL MODULE (AGS)	rear RH side of engine compartment in E-Box		
A9070	SLIP CONTROL MODULE (ABS/ASC+T)	LH footwell	02-2	
A9070	SLIP CONTROL MODULE (ABS/ASC+T)	LH footwell	25-1	
B1	RIGHT FRONT SPEED SENSOR - ABS	behind RH front wheel		
B2	LEFT FRONT SPEED SENSOR - ABS	behind LH front wheel		
B3	RIGHT REAR SPEED SENSOR - ABS	behind RH rear wheel	42-3	
B4	LEFT REAR SPEED SENSOR - ABS	behind LH rear wheel	13-2	
B6z	FUEL LEVEL SENSOR I	under RH rear seat	33-2	
B10	VEHICLE SPEED SENSOR	on differential	12-3	
B11	LH HEAT EXCHANGER TEMPERATURE SENSOR	below LH side of dash	26-3	
B12	RH HEAT EXCHANGER TEMPERATURE SENSOR	center console right behind radio		



COMPONENT LOCATION CHART

COMP.	DESCRIPTION	LOCATION	7100.0	8500.0
B13	OUTSIDE TEMPERATURE SENSOR	behind center of cowl		
B14	EVAPORATOR TEMPERATURE SENSOR	RH side of LH footwell		
B15	ELECTRO-HYDRAULIC CONVERTER (SERVOTRONIC)	under LH front of car	12-2	
B16	LEFT FRONT BRAKE PAD SENSOR	behind LH front wheel	13-1	
B17	RIGHT REAR BRAKE PAD SENSOR	behind RH rear wheel		
B18	BRAKE FLUID LEVEL SWITCH	rear LH side of engine compartment	19-2	
B19	BRAKE PRESSURE REGULATING SWITCH	rear LH side of engine compartment	19-2	
B20	BRAKE PRESSURE SWITCH	rear LH side of engine compartment	19-1	
B21z	TEMPERATURE SENSOR	in ventilation duct left	20-3	
B25	FUEL LEVEL SENSOR II	under LH rear seat	33-1	
B28	GRADIENT MONITOR (DWA)	in LH rear side of luggage compartment	37-2	
B40	STEERING ANGLE SENDER	on steering column		
B41z	FRONT ACCELERATION SENSOR	RH front of wheel well above		
B48	RIGHT REAR ACCELERATION SENSOR	in RH rear side of luggage compartment	38-1	
B49	LONGITUDINAL ACCELERATION SENSOR	in LH forward side of luggage compartment	36-3	
B206	OIL PRESSURE SWITCH	LH side of engine compartment	20-1	
B400	MICROPHONE	center console		
B414	AUTOMATIC AIR RECIRCULATION SENSOR	front LH side of engine compartment	05-3	
B414	AUTOMATIC AIR RECIRCULATION SENSOR	front LH side of engine compartment	15-3	
B900	JUMPER PLUG	rear LH side of engine compartment in Front Power Distribution Box		



COMPONENT LOCATION CHART

COMP.	DESCRIPTION	LOCATION	7100.0	8500.0
B6203	CRANKSHAFT POSITION/RPM SENSOR . . .	front of engine		
B6203	CRANKSHAFT POSITION/RPM SENSOR . . .	on RH side of transmission (840Ci)	42-2	
B6204	CAMSHAFT POSITION SENSOR (CYLINDER IDENTIFICATION)	front of engine		
B6205	INTAKE AIR TEMPERATURE SENSOR	front RH side of engine compartment		
B6209	HALL EFFECT CAMSHAFT SENSOR	top center of engine		
B6210	CYL. 1-6 HEATED OXYGEN SENSOR	on catalytic converter	14-3	
B6210w	CYL. 1-4 HEATED OXYGEN SENSOR	on catalytic converter		
B6211	CYL. 1-6 CYLINDER IDENTIFICATION SENSOR	front of engine left		
B6212	CYL. 1-6 CRANKSHAFT POSITION/RPM SENSOR	front of engine compartment		
B6213	CRANKSHAFT SENSOR I	rear RH side of engine compartment below		
B6215	CYL. 1-6 AIR TEMPERATURE SENSOR	rear of engine		
B6215A	INTAKE AIR TEMPERATURE SENSOR	front of engine (840Ci)	44-2	
B6216	CYL. 1-6 AIR FLOW SENSOR	LH side of engine compartment	20-2	
B6217	HOT FILM AIR MASS METER	front of engine		
B6217w	HOT-FILM AIR MASS METER I	front of engine (850Ci)		
B6219	HALL EFFECT CAMSHAFT SENSOR I	top RH side of engine		
B6220	CYL. 7-12 HEATED OXYGEN SENSOR	on catalytic converter	14-3	
B6220w	CYL. 5-8 HEATED OXYGEN SENSOR	on catalytic converter		
B6221	CYL. 7-12 CYLINDER IDENTIFICATION SENSOR	front of engine right		

02/97

7000.0-4

95/96



COMPONENT LOCATION CHART

COMP.	DESCRIPTION	LOCATION	7100.0	8500.0
B6222	CYL. 7-12 CRANKSHAFT POSITION/RPM SENSOR	front of engine compartment		
B6223	CRANKSHAFT SENSOR II	rear LH side of engine compartment below		
B6225	CYL. 7-12 AIR TEMPERATURE SENSOR ...	rear of engine		
B6226	CYL. 7-12 AIR FLOW SENSOR	RH side of engine compartment	21-1	
B6227w	HOT-FILM AIR MASS METER II	RH side of engine compartment		
B6230	OIL LEVEL SENSOR	under LH front of car	14-1	
B6232	ENGINE COOLANT TEMPERATURE SENSOR	on coolant inlet		
B6234	ENGINE COOLANT TEMP. SENSOR (EML) .	on coolant inlet		
B6235	TEMPERATURE SWITCH	rear RH side of engine compartment in E-Box	24-3	
B6236	ENGINE COOLANT TEMPERATURE SENSOR	on coolant inlet		
B6241	CYL. 1-2 KNOCK SENSOR	RH cylinder head (840Ci)		
B6241w	CYL. 1-3 KNOCK SENSOR	RH cylinder head (850Ci)		
B6242	CYL. 3-4 KNOCK SENSOR	RH cylinder head (840Ci)		
B6242w	CYL. 4-6 KNOCK SENSOR	RH cylinder head (850Ci)		
B6243	CYL. 5-6 KNOCK SENSOR	LH cylinder head (840Ci)		
B6243w	CYL. 7-9 KNOCK SENSOR	LH cylinder head (850Ci)		
B6244	CYL. 7-8 KNOCK SENSOR	LH cylinder head (840Ci)		
B6244w	CYL. 10-12 KNOCK SENSOR	LH cylinder head (850Ci)		
B6256	DUAL TEMPERATURE SENSOR (COOLANT TEMPERATURE)	front of engine	44-1	



COMPONENT LOCATION CHART

COMP.	DESCRIPTION	LOCATION	7100.0	8500.0
B9508	PRESSURE SWITCH	RH side of engine compartment under concealing headlight		
B62101	OXYGEN SENSOR I (IN FRONT OF CATALYTIC CONVERTER)	on catalytic converter		
B62101	OXYGEN SENSOR I (IN FRONT OF CATALYTIC CONVERTER)	under center of car (840Ci)	43-2	
B62102	OXYGEN SENSOR I (BEHIND CATALYTIC CONVERTER)	under center of car		
B62102	OXYGEN SENSOR I (BEHIND CATALYTIC CONVERTER)	under center of car (840Ci)	42-1	
B62201	OXYGEN SENSOR II (IN FRONT OF CATALYTIC CONVERTER)	under center of car	43-2	
B62202	OXYGEN SENSOR II (BEHIND CATALYTIC CONVERTER)	under center of car	42-1	
C101	CONTACT RING	on steering wheel		
C900	SUPPRESSION FILTER	in upper RH C-pillar	32-3	
C900z	FM AMPLIFIER/SUPPRESSION FILTER	in upper RH C-pillar		
D100	DATA LINK CONNECTOR	front RH side of engine compartment	21-2	
D110	OBD II CONNECTOR	center console		
E9	REAR DEFOGGER I	in rear window		
E10	REAR DEFOGGER/ANTENNA	in rear window		
E11	LEFT HIGH BEAM LIGHT	front of car		
E12	RIGHT HIGH BEAM LIGHT	front of car		
E13	LEFT LOW BEAM LIGHT	front of car		
E14	RIGHT LOW BEAM LIGHT	front of car		



COMPONENT LOCATION CHART

COMP.	DESCRIPTION	LOCATION	7100.0	8500.0
E15 ...	LEFT PARK LIGHT	front of car		
E19 ...	RIGHT PARK LIGHT	front of car		
E20 ...	UNDERHOOD LIGHT	on underside of engine hood		15-2
E21 ...	LEFT FRONT MARKER LIGHT	near LH headlight assembly		
E22 ...	RIGHT FRONT MARKER LIGHT	near RH headlight assembly		
E26 ...	LEFT FOG LIGHT	front of car		
E27 ...	RIGHT FOG LIGHT	front of car		
E28 ...	FRONT CIGAR LIGHTER	center of dash below front of console		
E29 ...	FRONT CIGAR LIGHTER LIGHT	center of dash below front of console		
E33 ...	TRUNK LID LIGHT	underside of trunk lid		
E34 ...	FRONT DOME LIGHT/MAP READING ASSEMBLY	underside of trunk lid		
E35 ...	DRIVER'S MAKEUP MIRROR LIGHT	in roof panel		
E36 ...	PASSENGER'S MAKEUP MIRROR LIGHT ..	in roof panel		
E39 ...	LEFT REAR INTERIOR LIGHT	behind LH footwell trim		
E40 ...	RIGHT REAR INTERIOR LIGHT	behind RH footwell trim		
E41 ...	DASH LIGHT	center of dash		
E42 ...	GLOVE BOX LIGHT	RH side of glove box above		
E43 ...	LEFT LICENSE PLATE LIGHT	underside of trunk lid, near license plate		
E44 ...	RIGHT LICENSE PLATE LIGHT	underside of trunk lid, near license plate		
E45y ..	CASSETTE BOX LIGHT	center console		
E46z ..	LEFT REAR LIGHT ASSEMBLY I	in LH rear side of luggage compartment		



COMPONENT LOCATION CHART

COMP.	DESCRIPTION	LOCATION	7100.0	8500.0
E47z	RIGHT REAR LIGHT ASSEMBLY I	in RH rear side of luggage compartment		
E48	DOOR LOCK HEATER	in upper LH front door		
E51	LEFT WASHER JET HEATER	on underside of engine hood	15-2	
E52	RIGHT WASHER JET HEATER	on underside of engine hood		
E56	DRIVER'S SEATBACK HEATER	in lower LH front seatback		
E57	DRIVER'S SEAT HEATER	underside of LH front seat		
E58	PASSENGER'S SEAT HEATER	underside of RH front seat		
E59	PASSENGER'S SEATBACK HEATER	in lower RH front seatback		
E61	LEFT FRONT FOOTWELL LIGHT	LH front door behind door panel	32-1	
E62	RIGHT FRONT FOOTWELL LIGHT	RH front door behind door panel		
E69	LEFT HIGH BEAM FLASHER LIGHT	front of car		
E70z	RIGHT HIGH BEAM FLASHER LIGHT	front of car		
E78	DRIVER'S DOOR PANEL LIGHT	in upper LH front door		
E79	PASSENGER'S DOOR PANEL LIGHT	in upper RH front door		
E80	LEFT REAR LIGHT ASSEMBLY II	underside of trunk lid left	40-3	
E81	RIGHT REAR LIGHT ASSEMBLY II	underside of trunk lid right	40-3	
E82	TRANSMISSION POSITION INDICATOR LIGHT	center console		
E96	GEAR SHIFT LEVER INDICATOR	center console		
E9021	LEFT REAR SIDE MARKER LIGHT	in LH rear side of luggage compartment		
E9022	RIGHT REAR SIDE MARKER LIGHT	in RH rear side of luggage compartment		
E9033	LEFT TRUNK LID LIGHT	in LH side of luggage compartment		



COMPONENT LOCATION CHART

COMP.	DESCRIPTION	LOCATION	7100.0	8500.0
E9046	LEFT LIGHT BAND	front of car		
E9047	RIGHT LIGHT BAND	front of car		
E9133	RIGHT TRUNK LID LIGHT	in RH side of luggage compartment		
F0 ...	FUSIBLE LINK	in RH side of luggage compartment	07-1	
F0 ...	FUSIBLE LINK	in RH side of luggage compartment	38-2	
G1z ..	RIGHT BATTERY I	in RH side of luggage compartment	07-1	
G1z ..	RIGHT BATTERY I	in RH side of luggage compartment	38-2	
G4 ...	LEFT BATTERY II	in LH rear side of luggage compartment	07-3	
G4 ...	LEFT BATTERY II	in LH rear side of luggage compartment	37-1	
G5 ...	DRIVER'S AIR BAG GAS GENERATOR	on steering wheel		
G6 ...	PASSENGER'S AIR BAG GAS GENERATOR	below RH side of dash		
G6509	GENERATOR	LH side of engine compartment		
G6430	B+ JUMP START JUNCTION POINT	rear RH side of engine compartment		
H1 ...	ANTI-THEFT HORN (DWA)	behind RH fresh air cowl		
H2 ...	LEFT HORN	front of car under radiator		
H3 ...	RIGHT HORN	front of car under radiator		
H4 ...	RIGHT FRONT TURN LIGHT	front of car		
H5 ...	RIGHT REAR TURN LIGHT	RH side of body rear end		
H6 ...	LEFT REAR TURN LIGHT	LH side of body rear end		
H7 ...	LEFT FRONT TURN LIGHT	front of car		
H8 ...	RIGHT FRONT AUXILIARY TURN LIGHT ...	in RH front bumper		
H9 ...	LEFT FRONT AUXILIARY TURN LIGHT	in LH front bumper		



COMPONENT LOCATION CHART

COMP.	DESCRIPTION	LOCATION	7100.0	8500.0
H10z	ACOUSTIC DEVICE	below RH side of dash	29-1	
H24	LEFT BRAKE LIGHT	LH side of body rear end		
H25	LEFT TAIL LIGHT	LH side of body rear end		
H27	LEFT BACK UP LIGHT	LH side of body rear end		
H28	RIGHT BACK UP LIGHT	RH side of body rear end		
H30	RIGHT TAIL LIGHT	RH side of body rear end		
H31	RIGHT BRAKE LIGHT	RH side of body rear end		
H34	HIGH LEVEL STOP LIGHT	at back of rear window shelf		
H38	TELEPHONE TRANSCEIVER	in LH forward side of luggage compartment		
H42	LEFT MID-HIGH RANGE SPEAKER	driver's door		
H43	RIGHT MID-HIGH RANGE SPEAKER	passenger's door		
H45	RIGHT REAR SPEAKER	at back of rear window shelf		
H46	LEFT REAR SPEAKER	at back of rear window shelf		
H50	RIGHT FRONT HIGH RANGE SPEAKER ...	in upper RH front door		
H51	RIGHT FRONT LOW RANGE SPEAKER	behind RH footwell kickpanel		
H52	RIGHT REAR LOW RANGE SPEAKER	at back of rear window shelf		
H53	RIGHT REAR HIGH RANGE SPEAKER	at back of rear window shelf		
H54	RIGHT FRONT MIDRANGE SPEAKER	in upper RH front door		
H54z	REAR RIGHT MID-HIGH RANGE SPEAKER .	at back of rear window shelf		
H55	LEFT FRONT MIDRANGE SPEAKER	driver's door		
H55z	REAR LEFT MID-HIGH RANGE SPEAKER ..	at back of rear window shelf		
H56	LEFT REAR HIGH RANGE SPEAKER	at back of rear window shelf		



COMPONENT LOCATION CHART

COMP.	DESCRIPTION	LOCATION	7100.0	8500.0
H57 ..	LEFT REAR LOW RANGE SPEAKER	at back of rear window shelf		
H58 ..	LEFT FRONT LOW RANGE SPEAKER	footwell, driver's side		
H59 ..	LEFT FRONT HIGH RANGE SPEAKER	driver's door		
H9025	UPPER LEFT TAIL LIGHT	LH side of body rear end		
H9030	UPPER RIGHT TAIL LIGHT	RH side of body rear end		
I1000 .	CAN BUS	in E-Box		
K1w ..	STARTER IMMOBILIZATION RELAY	rear LH side of engine compartment in Front Power Distribution Box	17-1	
K2	HORN RELAY	rear LH side of engine compartment in Front Power Distribution Box	16-2	
K3	UNLOADER RELAY, TERMINAL R	rear LH side of engine compartment in Front Power Distribution Box	17-1	
K4	BLOWER RELAY	rear LH side of engine compartment in Front Power Distribution Box	17-1	
K5	WASHER PUMP RELAY	rear LH side of engine compartment in Front Power Distribution Box	16-2	
K8z ...	AUXILIARY WATER PUMP RELAY	rear LH side of engine compartment in Front Power Distribution Box	16-2	
K9	UNLOADER RELAY, TERMINAL 15	rear LH side of engine compartment in Front Power Distribution Box	16-1	
K12 ...	WIPER PRESSURE CONTROL (ADV) RELAY	rear LH side of engine compartment in Front Power Distribution Box	16-1	
K13 ...	REAR DEFOGGER RELAY	rear Power Distribution Box in LH side of luggage compartment	36-1	
K15 ...	ELECTRIC POWER PROTECTION RELAY ..	rear Power Distribution Box in LH side of luggage compartment	36-1	
K16 ...	HAZARD FLASHER RELAY	rear LH side of engine compartment in Front Power Distribution Box	16-3	
K19 ...	COMPRESSOR CONTROL RELAY	rear LH side of engine compartment in Front Power Distribution Box	17-2	
K21 ...	NORMAL SPEED RELAY	rear LH side of engine compartment in Front Power Distribution Box	16-3	
K22 ...	HIGH SPEED RELAY	rear LH side of engine compartment in Front Power Distribution Box	16-1	



COMPONENT LOCATION CHART

COMP.	DESCRIPTION	LOCATION	7100.0	8500.0
K25 ...	RIGHT PARK LIGHT/LICENSE PLATE LIGHT RELAY	below LH side of dash near hood release lever		
K26 ...	LEFT PARK LIGHT RELAY	below LH side of dash near hood release lever		
K29 ...	INTERIOR LIGHT RELAY	LH side of LH footwell	28-2	
K30 ...	ELECTRIC POWER PROTECTION RELAY II	rear Power Distribution Box in LH side of luggage compartment	36-1	
K33 ...	AIR CONDITIONING RELAY	rear LH side of engine compartment in Front Power Distribution Box	16-2	
K36 ...	WIPER RELAY I	rear LH side of engine compartment in Front Power Distribution Box	17-1	
K37 ...	WIPER RELAY II	rear LH side of engine compartment in Front Power Distribution Box	17-1	
K38 ...	WIPER RELAY III	rear LH side of engine compartment in Front Power Distribution Box	17-1	
K39 ...	CONCEALING HEADLIGHTS RELAY	rear LH side of engine compartment in Front Power Distribution Box	16-3	
K42 ...	INTENSIVE WASH RELAY	rear LH side of engine compartment in Front Power Distribution Box	16-2	
K46 ...	HIGH BEAM LIGHT RELAY	rear LH side of engine compartment in Front Power Distribution Box	16-1	
K51 ...	JUMPER PLUG FOR HORN/TELEPHONE ..	rear LH side of engine compartment in Front Power Distribution Box	17-2	
K52z ..	FLASHER LIGHT RELAY	rear LH side of engine compartment in Front Power Distribution Box	16-3	
K60 ...	COMPRESSOR CUT-OFF RELAY	rear LH side of engine compartment in Front Power Distribution Box	17-2	
K61 ...	UNLOADER RELAY, TERMINAL 61	rear LH side of engine compartment in Front Power Distribution Box	16-2	
K67 ...	EDC RELAY	in RH side of luggage compartment	38-3	
K70 ...	CENTRAL LOCKING TRUNK LID MOTOR RELAY (ZV)	rear Power Distribution Box in LH side of luggage compartment	36-2	
K72 ...	CONSUMER CUT-OFF RELAY I	rear Power Distribution Box in LH side of luggage compartment	36-2	
K73 ...	CONSUMER CUT-OFF RELAY II	rear Power Distribution Box in LH side of luggage compartment	36-1	
K91 ...	ON-BOARD COMPUTER HORN RELAY	inside box on interior side of RH door sill		



COMPONENT LOCATION CHART

COMP.	DESCRIPTION	LOCATION	7100.0	8500.0
K94 ...	ENGINE CONTROL RELAY (ABS/ASC)	LH side of engine compartment	24-1	
K95 ...	VALVE RELAY (ABS/ASC)	LH side of engine compartment	24-1	
K109 .	SECONDARY AIR PUMP RELAY	in auxiliary relay box LH front of engine compartment	44-3	
K111 .	DAYTIME RUNNING LIGHTS RELAY	rear Power Distribution Box in LH side of luggage compartment	36-2	
K199 .	SERVOTRONIC RELAY	rear LH side of engine compartment in Front Power Distribution Box	17-2	
K6300	ENGINE CONTROL MODULE RELAY	in E-Box		
K6301w	FUEL PUMP RELAY	in E-Box		
K6303	OXYGEN SENSOR RELAY	in E-Box		
K6304	SECONDARY AIR PUMP RELAY	in auxiliary relay box LH front of engine compartment	44-3	
K6310	CYL. 1-6 ENGINE CONTROL MODULE RELAY	rear RH side of engine compartment in E-Box	24-2	
K6311	CYL. 1-6 FUEL PUMP RELAY	rear RH side of engine compartment in E-Box	24-2	
K6320	CYL. 7-12 ENGINE CONTROL MODULE RELAY	rear RH side of engine compartment in E-Box	24-2	
K6321	CYL. 7-12 FUEL PUMP RELAY	rear RH side of engine compartment in E-Box	24-2	
M2 ...	FUEL PUMP	in RH side of luggage compartment		
M2z ..	CYL. 1-6 FUEL PUMP	in RH side of luggage compartment		
M3 ...	WIPER MOTOR	behind LH fresh air cowl		
M4 ...	WASHER PUMP	RH side of engine compartment on washer fluid reservoir	23-1	
M5 ...	INTENSIVE WASH PUMP	front RH side of engine compartment near windshield washer reservoir		
M6 ...	WIPER PRESSURE CONTROL MOTOR (ADV)	behind LH fresh air cowl		
M7 ...	HEADLIGHT/FOG LIGHT WASHER PUMP ..	front RH side of engine compartment near windshield washer reservoir	23-2	



COMPONENT LOCATION CHART

COMP.	DESCRIPTION	LOCATION	7100.0	8500.0
M9	AUXILIARY FAN MOTOR	behind front grille	15-3	
M11	CYL. 7-12 FUEL PUMP	in RH side of luggage compartment		
M12	DRIVER'S DOOR LOCK MOTOR	in lower LH front door	34-1	
M13	PASSENGER'S DOOR LOCK MOTOR	in lower RH front door	34-1	
M16	GAS FILLER LOCK MOTOR	in RH rear side of luggage compartment	39-3	
M17	TRUNK LOCK MOTOR	rear of car rear side of luggage compartment		
M18	LH CONCEALING HEADLIGHT MOTOR	front LH side of engine compartment		
M19	RH CONCEALING HEADLIGHT MOTOR	front RH side of engine compartment		
M20	LEFT REAR WINDOW MOTOR	left from LH rear seat behind trim panel		
M21z	DRIVER'S POWER WINDOW MOTOR/ INCREMENT SENSOR	in lower LH front door	35-2	
M22	RIGHT REAR WINDOW MOTOR	RH side of RH rear seat behind trim panel		
M23z	PASSENGER'S POWER WINDOW MOTOR/ INCREMENT SENSOR	in lower RH front door		
M24	SUNROOF MOTOR	center of windshield header	31-2	
M25	CRUISE CONTROL ACTUATOR (TEMPOMAT)	LH side of engine compartment		
M30	BLOWER MOTOR	behind center of cowl		
M31	LEFT FOOTWELL FLAP MOTOR	below LH side of dash		
M32	RIGHT FOOTWELL FLAP MOTOR	LH side of RH footwell		
M33	RIGHT VENTILATION FLAP MOTOR	LH side of RH footwell		
M34	DASH VENT MIXING FLAP MOTOR	RH side of dash behind glove box RH side of IHKA Plenum		
M35	DEFROSTER FLAP MOTOR	LH side of IHKA Plenum		



COMPONENT LOCATION CHART

COMP.	DESCRIPTION	LOCATION	7100.0	8500.0
M36	FRESH AIR FLAP MOTOR	LH side of IHKA Plenum		
M37a	AUXILIARY WATER PUMP	rear LH side of engine compartment		
M38	LEFT VENTILATION FLAP MOTOR	behind LH fresh air cowl		
M39	LEFT MIXING FLAP MOTOR	center of dash left of radio		
M40	RECIRCULATION FLAP MOTOR	below LH side of dash		
M50	DRIVER'S SEAT CUSHION TILT MOTOR	under LH front seat		
M51	DRIVER'S SEAT MOVEMENT MOTOR	under LH front seat		
M52	DRIVER'S SEAT HEIGHT MOTOR	under LH front seat		
M53	DRIVER'S SEATBACK RECLINER MOTOR	in lower LH front seatback		
M55z	DRIVER'S SEAT LUMBAR SUPPORT MOTOR/VALVE	in upper LH front seatback		
M56z	PASSENGER'S SEAT LUMBAR SUPPORT MOTOR/VALVE	in upper RH front seatback		
M58	PASSENGER'S SEATBACK RECLINER MOTOR	in lower RH front seatback		
M59	PASSENGER'S SEAT HEIGHT MOTOR	under RH front seat		
M60	PASSENGER'S SEAT MOVEMENT MOTOR	under RH front seat		
M61	PASSENGER'S SEAT CUSHION TILT MOTOR	under RH front seat		
M63	SECONDARY AIR PUMP	front RH side of engine compartment		
M65	DRIVER'S THIGH SUPPORT MOTOR	under LH front seat		
M66	PASSENGER'S THIGH SUPPORT MOTOR	under RH front seat		
M74	SUN BLIND MOTOR	at back of rear window shelf		13-3



COMPONENT LOCATION CHART

COMP.	DESCRIPTION	LOCATION	7100.0	8500.0
M80 ..	LEFT HEADLIGHT WIDENING MOTOR	front LH side of engine compartment		
M81 ..	RIGHT HEADLIGHT WIDENING MOTOR	front RH side of engine compartment		
M82 ..	STEERING COLUMN LENGTH ADJUST MOTOR	bottom of steering column		
M83 ..	STEERING COLUMN ANGLE ADJUST MOTOR	bottom of steering column		
M86 ..	WATER PUMP IN LUGGAGE COMPARTMENT	in luggage compartment in spare tire compartment	41-2	
M93 ..	AUXILIARY THROTTLE POSITION MOTOR (ADS)	LH side of engine compartment		
M6360	EML ACTUATOR MOTOR I	front LH side of engine compartment	22-3	
M6370	EML ACTUATOR MOTOR II	front RH side of engine compartment	22-3	
M6506	E-BOX FAN	rear RH side of engine compartment in E-Box	24-3	
M6510	STARTER	in the engine compartment		
N1 ...	ANTI-THEFT CONTROL MODULE (DWA)	inside box on interior side of RH door sill	03-1	
N1 ...	ANTI-THEFT CONTROL MODULE (DWA)	inside box on interior side of RH door sill	28-1	
N2 ...	FINAL STAGE UNIT	LH side of RH footwell		
N3 ...	DIMMER	LH side of dash		
N4z ..	MULTI-INFORMATION DISPLAY (MID)	center console		
N6 ...	HEADLIGHT/FOGLIGHT CLEANING MODULE (SRA)	rear LH side of engine compartment in Front Power Distribution Box	05-1	
N6 ...	HEADLIGHT/FOGLIGHT CLEANING MODULE (SRA)	rear LH side of engine compartment in Front Power Distribution Box	16-1	
N8 ...	ANTENNA AMPLIFIER AM/FM	in upper LH C-pillar	01-1	



COMPONENT LOCATION CHART

COMP.	DESCRIPTION	LOCATION	7100.0	8500.0
N8 ...	ANTENNA AMPLIFIER AM/FM	in upper LH C-pillar	32-2	
N9 ...	RADIO	center console		
N13y .	REMOTE LOCKING RECEIVER	in rear view mirror		
N17 ..	CRASH CONTROL MODULE	rear LH side of engine compartment in Front Power Distribution Box	05-1	
N17 ..	CRASH CONTROL MODULE	rear LH side of engine compartment in Front Power Distribution Box	16-3	
N22 ..	CD CHANGER	in luggage compartment		
N444 .	FM AMPLIFIER HLO	in upper LH C-pillar		
P1	AUXILIARY RELAY BOX - ENGINE COMPARTMENT	LH side of engine compartment	17-3	
P90 ...	FRONT POWER DISTRIBUTION BOX	rear LH side of engine compartment	06-1	
P90 ...	FRONT POWER DISTRIBUTION BOX	rear LH side of engine compartment	19-2	
P93 ...	E-BOX	rear RH side of engine compartment	06-2	
P93 ...	E-BOX	rear RH side of engine compartment	23-3	
P94 ...	REAR POWER DISTRIBUTION BOX	in LH side of luggage compartment	07-2	
P94 ...	REAR POWER DISTRIBUTION BOX	in LH side of luggage compartment	36-3	
P95 ...	AUXILIARY FUSE BOX	rear RH side of engine compartment in E-Box		
P97 ...	AUXILIARY FUSE BOX	rear RH side of engine compartment in E-Box		
P98 ...	FUSE HOLDER IN E-BOX	rear RH side of engine compartment in E-Box		
R1	MIXING SWITCH	center of dash		
R6	SEAT HEIGHT POTENTIOMETER	LH front seat		
R7	SEATBACK POTENTIOMETER	in lower LH front seatback		



COMPONENT LOCATION CHART

COMP.	DESCRIPTION	LOCATION	7100.0	8500.0
R8	SEAT CUSHION REAR HEIGHT POTENTIOMETER	LH front seat		
R9	SEAT CUSHION MOVEMENT POTENTIOMETER	under LH front seat		
R10 ..	PEDAL POSITION SENSOR	below LH side of dash	27-3	
R13 ..	HEADLIGHT WIDENING POTENTIOMETER	LH side of dash		
R14 ..	SERIES RESISTOR (FOR SECONDARY AIR PUMP)	LH side of engine compartment		
R15 ..	THIGH SUPPORT POTENTIOMETER	under LH front seat		
R18z ..	STEERING COLUMN LENGTH ADJUST POTENTIOMETER	bottom of steering column		
R19z ..	STEERING COLUMN ANGLE ADJUST POTENTIOMETER	bottom of steering column		
R26 ..	DSC STEERING WHEEL ANGLE SENSOR .	on steering column		
R6240	RESISTOR	RH front of engine		
R6252	THROTTLE POSITION SENSOR	front of engine		
R6253	AUXILIARY THROTTLE POSITION SENSOR	front of engine	44-1	
S2	IGNITION SWITCH	on steering column above right		
S3	AUTOMATIC TRANSMISSION RANGE SWITCH	center console		
S4	HORN SWITCH	on steering wheel behind DRIVER'S AIR BAG GAS GENERATOR		
S5	WIPER/WASHER SWITCH	on steering column		
S6	ASC SWITCH	center console	30-1	
S7	COMBINATION SWITCH	on steering column above left		



COMPONENT LOCATION CHART

COMP.	DESCRIPTION	LOCATION	7100.0	8500.0
S8	LIGHT SWITCH	LH side of dash		
S10	FOG LIGHT SWITCH	LH side of dash		
S11	CRUISE CONTROL SWITCH (EML)	on steering column		
S12	MEMORY MIRRORS CONTROL SWITCH	in upper LH front door		
S13	PASSENGER'S DOOR JAMB SWITCH	in upper RH front door		
S14	DRIVER'S DOOR JAMB SWITCH	in upper LH front door		
S17	MIRROR CONTROL SWITCH	in upper LH front door		
S18	HAZARD SWITCH	center console		
S19	UNDERHOOD LIGHT SWITCH	near LH headlight assembly		
S20	RADIO ANTI-THEFT SWITCH (DWA)	behind radio		
S21	ENGINE HOOD SWITCH (DWA)	near RH headlight assembly		
S26	AUTOMATIC HEATING AND AIR CONDITIONING SWITCH (IHKA)	center of dash		
S27	INERTIA SWITCH	behind LH footwell speaker grille	28-3	
S28	CRUISE CONTROL SWITCH	top of steering column		
S30	BRAKE LIGHT SWITCH	below LH side of dash	27-2	
S31	PARK BRAKE SWITCH	below front of console		
S32	CLUTCH SWITCH	behind LH footwell trim on clutch pedal support bracket		
S36z	TEMPERATURE SWITCH	front RH side of engine compartment		
S36	TEMPERATURE SWITCH	front RH side of engine compartment	19-3	
S38	SUNROOF SWITCH	center of windshield header		
S45	LEFT REAR WINDOW LIMIT SWITCH	left from LH rear seat		



COMPONENT LOCATION CHART

COMP.	DESCRIPTION	LOCATION	7100.0	8500.0
S46 ...	RIGHT REAR WINDOW LIMIT SWITCH	RH side of RH rear seat		
S47 ...	DRIVER'S DOOR LOCK SWITCH	LH front door behind door panel		
S48 ...	DRIVER'S DOOR HANDLE SWITCH	LH front door behind door panel		
S49 ...	PASSENGER'S DOOR LOCK SWITCH	RH front door		
S50 ...	DRIVER'S MEMORY SEAT ADJUSTMENT SWITCH	LH front seat		
S51 ...	DRIVER'S SEAT, SEAT CONTROL SWITCH .	LH front seat		
S52 ...	DRIVER'S SEAT LUMBAR SWITCH	LH front seat		
S53 ...	DRIVER'S SEAT, SEAT HEATER SWITCH ...	LH front seat		
S54 ...	PASSENGER'S SEAT, SEAT HEATER SWITCH	RH front seat		
S55 ...	PASSENGER'S SEAT LUMBAR SUPPORT SWITCH	RH front seat		
S56 ...	PASSENGER'S SEAT, SEAT CONTROL SWITCH	RH front seat		
S57 ...	MEMORY SEAT MIRRORS SWITCH	LH front seat		
S58 ...	DRIVER'S SEAT BELT SWITCH	LH front seat		
S59 ...	PASSENGER'S SEAT BELT SWITCH	RH front seat		
S61 ...	TRUNK LID SWITCH	underside of trunk lid		
S64 ...	WASHER FLUID LEVEL SWITCH	RH side of engine compartment on washer fluid reservoir		23-2
S76 ...	REAR WINDOW DEFOGGER SWITCH	LH side of dash		
S77 ...	DRIVER'S MAKEUP MIRROR SWITCH	above LH sun visor		
S78 ...	PASSENGER'S MAKEUP MIRROR SWITCH	above RH sun visor		



COMPONENT LOCATION CHART

COMP.	DESCRIPTION	LOCATION	7100.0	8500.0
S79 ...	PASSENGER'S DOOR HANDLE SWITCH ..	RH front door		
S89 ...	DRIVER'S INSIDE DOOR HANDLE SWITCH	in lower LH front door		
S8z ...	LIGHT SWITCH	LH side of dash		
S90 ...	PASSENGER'S INSIDE DOOR HANDLE SWITCH	in upper RH front door		
S93 ...	DRIVER'S THIGH SUPPORT SWITCH	LH front seat		
S94 ...	PASSENGER'S THIGH SUPPORT SWITCH .	RH front seat		
S96 ...	AIR CONDITIONING PRESSURE SWITCH ..	RH side of engine compartment under concealing headlight		
S97 ...	PASSENGER'S WINDOW SWITCH	RH front door		
S99 ...	PASSENGER'S WINDOW MONITORING SWITCH (DWA)	in upper RH front door		
S100 .	DRIVER'S WINDOW MONITORING SWITCH (DWA)	in upper LH front door		
S101 .	RIGHT REAR WINDOW MONITORING SWITCH (DWA)	RH side of RH rear seat behind trim panel		
S102 .	LEFT REAR WINDOW MONITORING SWITCH (DWA)	left from LH rear seat behind trim panel		
S103 .	RH DRIVER'S SEATBACK SWITCH	LH front seat		
S104 .	LH DRIVER'S SEATBACK SWITCH	LH front seat		
S105 .	EDC SWITCH	center console		
S110 .	SUN BLIND SWITCH	center console		
S113 .	GLOVE BOX LIGHT SWITCH II	LH side of glove box		
S117 .	TRUNK LID LOCKING SWITCH	underside of trunk lid		40-2
S118 .	GLOVE BOX CENTRAL LOCKING SWITCH .	LH side of glove box		



COMPONENT LOCATION CHART

COMP.	DESCRIPTION	LOCATION	7100.0	8500.0
S121	RH PASSENGER'S SEATBACK SWITCH . . .	RH front seat		
S122	LH PASSENGER'S SEATBACK SWITCH . . .	RH front seat		
S136	WASHER FLUID LEVEL SWITCH	in spare-wheel well	41-2	
S173	PROGRAM SELECTOR	center console		
S198	JET HEATER THERMOSWITCH	in ventilation duct right		
S202	EML SWITCH	center console		
S224	GEAR STEP TRANSMISSION SWITCH	near gearshift lever	29-2	
S227	SELECTOR LEVER POSITION SWITCH	near gearshift lever	29-2	
S37z	GLOVE BOX LIGHT SWITCH I	LH side of glove box		
S40z	WINDOW SWITCH	LH front door		
S119z	STEERING COLUMN POSITION SWITCH . .	on steering column above left		
S8507	KICK-DOWN SWITCH	RH side of LH footwell		
S8511	REVERSING LIGHT SWITCH	on RH side of transmission		
S8522	SHIFT LOCK	center console near gearshift lever		
S8532	AUTOMATIC TRANSMISSION RANGE SWITCH	center console		
T6151	CYL. 1 IGNITION COIL	RH cylinder head		
T6152	CYL. 2 IGNITION COIL	RH cylinder head		
T6153	CYL. 3 IGNITION COIL	RH cylinder head		
T6154	CYL. 4 IGNITION COIL	RH cylinder head		
T6155	CYL. 5 IGNITION COIL	LH cylinder head		
T6156	CYL. 6 IGNITION COIL	LH cylinder head		



COMPONENT LOCATION CHART

COMP.	DESCRIPTION	LOCATION	7100.0	8500.0
T6157	CYL. 7 IGNITION COIL	LH cylinder head		
T6158	CYL. 8 IGNITION COIL	LH cylinder head		
T6151z	CYL. 1-6 IGNITION COIL	RH side of engine compartment	21-1	
T6152z	CYL. 7-12 IGNITION COIL	LH side of engine compartment	17-3	
V4	DAYTIME RUNNING LIGHTS CODING DIODE	inside box on interior side of LH door sill		
V5	DWA LED	center console		
X0	(1 PIN, ---)	LH footwell	06-3	
X0	(1 PIN, ---)	LH footwell	25-3	
X2	BATTERY B+ START POINT	in Front Power Distribution Box		
X3	B+ JUNCTION POINT	in Front Power Distribution Box		
X7	(55 PINS, NATURAL)	inside box on interior side of LH door sill	25-1	00-2
X7	(88 PINS, NATURAL)	inside box on interior side of LH door sill	25-1	00-1
X8	CABLE SOCKET	in auxiliary relay box LH front of engine compartment	24-1	
X11	(55 PINS, NATURAL)	inside box on interior side of LH door sill		00-2
X12	(20 PINS, WHITE)	below LH side of dash	26-2	02-1
X13	(30 PINS, BLACK)	LH footwell	25-1	01-1
X14	(30 PINS, WHITE)	LH footwell	25-1	01-1
X16	(26 PINS, BLACK)	LH side of dash		01-2
X20	(25 PINS, GRAY)	rear RH side of engine compartment	23-3	01-5
X20	(25 PINS, GRAY)	rear RH side of engine compartment (840Ci)	43-3	01-5
X21	(25 PINS, BLUE)	rear RH side of engine compartment	23-3	01-5



COMPONENT LOCATION CHART

COMP.	DESCRIPTION	LOCATION	7100.0	8500.0
X21 ...	(25 PINS, BLUE)	LH cylinder head (840Ci)	18-3	01-5
X22 ...	(26 PINS, BLUE)	in RH side of luggage compartment	00-3	
X25 ...	(4 PINS, BLACK)	RH side of engine compartment on washer fluid reservoir	23-1	10-1
X27 ...	CABLE SOCKET	in auxiliary relay box LH front of engine compartment	24-1	
X31 ...	(15 PINS, BLACK)	LH side of engine compartment under concealing headlight		03-4
X31 ...	(12 PINS, BLACK)	LH side of engine compartment under concealing headlight (850CSi)		14-2
X32 ...	(12 PINS, WHITE)	below LH side of dash	27-1	04-3
X33 ...	(12 PINS, BLACK)	below LH side of dash	27-1	04-3
X36 ...	(21 PINS, BLACK)	below center console	30-3	01-6
X38 ...	(20 PINS, BLACK)	below LH side of dash	26-2	02-1
X39 ...	(26 PINS, GREEN)	below LH side of dash	26-1	01-2
X40 ...	(26 PINS, BROWN)	below LH side of dash	26-1	01-2
X41 ...	(26 PINS, BLUE)	below LH side of dash	26-1	01-2
X42 ...	(5 PINS, BLACK)	below LH side of dash	26-1	08-4
X43 ...	(9 PINS, BLACK)	rear LH side of engine compartment in Front Power Distribution Box		05-4
X46 ...	GROUND	below ashtray		
X52 ...	(9 PINS, BLACK)	rear LH side of engine compartment in Front Power Distribution Box		05-4
X53 ...	(9 PINS, BLACK)	rear LH side of engine compartment in Front Power Distribution Box		05-4
X54 ...	(9 PINS, BLACK)	rear LH side of engine compartment in Front Power Distribution Box		05-4
X55 ...	(9 PINS, BLACK)	rear LH side of engine compartment in Front Power Distribution Box		05-4
X57 ...	(9 PINS, BLACK)	rear LH side of engine compartment in Front Power Distribution Box		05-4
X58 ...	(9 PINS, BLACK)	rear LH side of engine compartment in Front Power Distribution Box		05-4



COMPONENT LOCATION CHART

COMP.	DESCRIPTION	LOCATION	7100.0	8500.0
X61 ...	(9 PINS, BLACK)	rear LH side of engine compartment in Front Power Distribution Box		05-4
X63 ...	(9 PINS, BLACK)	rear LH side of engine compartment in Front Power Distribution Box		05-4
X64 ...	(9 PINS, BLACK)	rear LH side of engine compartment in Front Power Distribution Box		05-4
X65 ...	(9 PINS, BROWN)	rear LH side of engine compartment in Front Power Distribution Box		05-4
X69 ...	(25 PINS, BLACK)	rear RH side of engine compartment	23-3	01-5
X70 ...	(8 PINS, BLACK)	LH side of engine compartment		
X72 ...	(8 PINS, WHITE)	below LH side of dash	27-1	06-3
X73 ...	(8 PINS, WHITE)	below LH side of dash (850CSi)	27-3	06-4
X73 ...	(18 PINS, BLACK)	below LH side of dash		02-3
X74 ...	(30 PINS, ORANGE)	below ashtray		12-5
X76 ...	(8 PINS, BLACK)	below LH side of dash		
X77 ...	(10 PINS, BLACK)	LH side of LH footwell	28-2	04-6
X78 ...	(4 PINS, BLACK)	below LH side of dash	27-2	09-2
X82 ...	(3 PINS, BLACK)	front of engine compartment on auxiliary fan	15-3	11-4
X83 ...	(9 PINS, BLACK)	in Front Power Distribution Box		05-4
X85 ...	(3 PINS, BLACK)	rear LH side of engine compartment	18-2	11-4
X87 ...	(3 PINS, BLACK)	front RH side of engine compartment	19-3	11-4
X88 ...	(2 PINS, BLACK)	LH side of dash		
X95 ...	(3 PINS, BLACK)	front RH side of engine compartment under air filter		11-4
X101	(2 PINS, BLACK)	on underside of engine hood left		
X102	(1 PIN, --)	rear LH side of engine compartment	19-1	
X103	(1 PIN, --)	rear LH side of engine compartment	19-2	



COMPONENT LOCATION CHART

COMP.	DESCRIPTION	LOCATION	7100.0	8500.0
X105	(2 PINS, GRAY)	on underside of engine hood left	15-2	
X106	(2 PINS, GRAY)	on underside of engine hood		
X107	(2 PINS, GRAY)	RH side of engine compartment on washer fluid reservoir	23-1	
X109	(2 PINS, BLACK)	RH side of engine compartment on washer fluid reservoir	23-2	
X110	(2 PINS, GRAY)	RH side of engine compartment on washer fluid reservoir		
X111	(2 PINS, BLACK)	rear LH side of engine compartment		
X113	(3 PINS, WHITE)	RH front of wheel well		13-1
X114	(3 PINS, GRAY)	behind LH front wheel		13-1
X118	(2 PINS, BLACK)	behind LH front wheel	13-1	
X119	(2 PINS, BLACK)	rear LH side of engine compartment near brake fluid reservoir	19-1	
X120	(2 PINS, BLACK)	under LH front of car	12-2	
X121	(2 PINS, WHITE)	below LH side of dash	27-2	
X122	(2 PINS, BLACK)	rear LH side of engine compartment	18-2	
X126	(2 PINS, WHITE)	RH side of engine compartment under concealing headlight		
X128	(7 PINS, BLACK)	near LH headlight assembly front of vehicle	11-3	06-6
X130	(7 PINS, BLACK)	LH side of engine compartment	18-1	06-6
X132	(2 PINS, BLACK)	front of car		
X133	(2 PINS, BLACK)	front of car		
X135	(7 PINS, BLACK)	front RH side of engine compartment	23-2	06-6
X137	(7 PINS, BLACK)	near RH headlight assembly front of vehicle	12-1	06-6
X142	(3 PINS, GRAY)	behind LH rear wheel		13-1
X143	(3 PINS, GRAY)	under RH rear of car	12-3	13-1



COMPONENT LOCATION CHART

COMP.	DESCRIPTION	LOCATION	7100.0	8500.0
X145	(2 PINS, BLACK)	LH side of engine compartment	20-1	
X161	(2 PINS, BLACK)	near LH headlight assembly	11-1	
X165	GROUND	LH side of LH footwell		
X167	GROUND	LH side of engine compartment	08-2	
X167	GROUND	LH side of engine compartment	18-1	
X168	(1 PIN, BLACK)	on steering column		
X170	(1 PIN, --)	front LH side of engine compartment under concealing headlight		
X173	GROUND	front RH side of engine compartment (headlights removed)	08-3	
X252	(26 PINS, BLACK)	inside box on interior side of RH door sill	28-1	01-2
X253	(26 PINS, BLACK)	below LH side of dash	26-2	01-2
X254	(26 PINS, YELLOW)	below LH side of dash	26-2	01-2
X256	(26 PINS, BLACK)	ahead of RH front door		01-3
X257	(26 PINS, BLACK)	ahead of LH front door		01-3
X258	(20 PINS, BLACK)	inside box on interior side of LH door sill on RELAY MODULE	25-2	02-1
X259	(26 PINS, BLACK)	inside box on interior side of LH door sill on RELAY MODULE	25-2	01-2
X263	(26 PINS, WHITE)	in RH side of luggage compartment	38-3	01-2
X272	(6 PINS, BLACK)	left from LH rear seat behind trim panel		07-6
X275	(12 PINS, WHITE)	underside of LH front seat	41-1	04-1
X279	(12 PINS, WHITE)	under RH front seat		04-1
X280	(9 PINS, BLACK)	rear LH side of engine compartment in Front Power Distribution Box		05-4
X281	(9 PINS, BLACK)	rear LH side of engine compartment in Front Power Distribution Box		05-4
X283	(4 PINS, BLACK)	LH side of engine compartment	18-1	09-4



COMPONENT LOCATION CHART

COMP.	DESCRIPTION	LOCATION	7100.0	8500.0
X284	(4 PINS, BLACK)	front RH side of engine compartment	23-2	09-4
X287	(9 PINS, BLACK)	in LH side of luggage compartment		05-4
X291	(9 PINS, BLACK)	rear LH side of engine compartment in Front Power Distribution Box		05-4
X292	(9 PINS, BLACK)	in LH side of luggage compartment Power Distribution Box		05-4
X294	(9 PINS, BLACK)	rear Power Distribution Box in LH side of luggage compartment		05-4
X295	(8 PINS, BLACK)	below LH side of dash	27-1	06-3
X296	(6 PINS, NATURAL)	in LH rear side of luggage compartment	37-2	07-6
X301	(26 PINS, WHITE)	inside box on interior side of RH door sill	28-1	01-2
X306	(30 PINS, BLUE)	LH footwell	25-1	01-1
X307	GROUND	behind LH footwell speaker grille	10-1	
X307	GROUND	behind LH footwell speaker grille	28-3	
X310	(6 PINS, BLACK)	behind glove box right		07-6
X311	(2 PINS, BLACK)	rear of car		
X312	(6 PINS, BLACK)	in RH rear side of luggage compartment	39-3	08-2
X316	(6 PINS, WHITE)	LH front door behind door panel	35-1	07-2
X317	(6 PINS, BLACK)	RH front door		07-2
X318	(6 PINS, BLACK)	in RH rear side of luggage compartment	39-2	07-6
X319	(6 PINS, BLACK)	in LH rear side of luggage compartment	37-2	07-6
X321	(4 PINS, BLACK)	below center console	30-3	09-6
X322	(8 PINS, BLACK)	below center console	30-3	06-3
X331	(5 PINS, BLACK)	inside box on interior side of RH door sill	28-1	08-4
X332	(26 PINS, WHITE)	below LH side of dash	26-2	01-2



COMPONENT LOCATION CHART

COMP.	DESCRIPTION	LOCATION	7100.0	8500.0
X333	(12 PINS, BLACK)	rear LH side of engine compartment	19-1	03-3
X335	(4 PINS, BLACK)	inside box on interior side of RH door sill	28-1	10-3
X336	(4 PINS, WHITE)	center of windshield header	31-2	09-3
X351	(2 PINS, BLACK)	in lower RH side of front door	34-1	
X352	(2 PINS, BLACK)	in lower LH front door	34-1	
X355	(2 PINS, BLACK)	behind RH footwell trim		
X356	(2 PINS, BLACK)	in upper LH C-pillar	32-2	
X371	(2 PINS, BLACK)	near RH headlight assembly	11-2	
X372	(2 PINS, WHITE)	behind RH fresh air cowl (EARLY PRODUCTION)		
X372	(4 PINS, WHITE)	behind RH fresh air cowl (LATE PRODUCTION)		14-3
X379	(1 PIN, BLACK)	in upper LH C-pillar	32-2	
X380	(1 PIN, BLACK)	in upper RH C-pillar	32-3	
X381	(2 PINS, BLACK)	in roof panel DRIVER'S MAKEUP MIRROR LIGHT		
X382	(2 PINS, BLACK)	in roof panel PASSENGER'S MAKEUP MIRROR LIGHT		
X383	(2 PINS, BLACK)	on differential	12-3	
X388	(2 PINS, BLACK)	behind LH footwell speaker grille	28-3	
X389	(2 PINS, BLACK)	in LH front bumper LEFT FRONT AUXILIARY TURN LIGHT		
X390	(2 PINS, BLACK)	in RH front bumper RIGHT FRONT AUXILIARY TURN LIGHT		
X393	(8 PINS, BLACK)	in LH rear side of luggage compartment behind trim panel	37-1	06-4
X394	(12 PINS, BLACK)	underside of LH front seat	41-1	04-3
X400	(8 PINS, BLACK)	in LH rear side of luggage compartment	37-3	06-3
X401	(2 PINS, BLACK)	above LH sun visor		



COMPONENT LOCATION CHART

COMP.	DESCRIPTION	LOCATION	7100.0	8500.0
X402	(2 PINS, BLACK)	above RH sun visor		
X405	(3 PINS, BLUE)	behind LH front wheel		11-1
X406	(3 PINS, BLUE)	RH front of wheel well		11-1
X407	(3 PINS, BLUE)	behind LH rear wheel		11-1
X408	(3 PINS, BLUE)	under RH rear of car	12-3	11-1
X413	(2 PINS, BLACK)	at back of rear window shelf		
X423	(2 PINS, BLACK)	below front of console		
X490	GROUND	inside box on interior side of LH door sill	10-2	
X490	GROUND	inside box on interior side of LH door sill	25-2	
X492	GROUND	behind LH footwell speaker grille	10-1	
X492	GROUND	behind LH footwell speaker grille	28-3	
X494	GROUND	in RH side of luggage compartment	09-3	
X494	GROUND	in RH side of luggage compartment	39-2	
X495	GROUND	underside of RH rear seat		
X497	GROUND	in LH rear side of luggage compartment	09-2	
X497	GROUND	in LH rear side of luggage compartment	37-2	
X500	(1 PIN, --)	in RH side of luggage compartment FUSIBLE LINK		
X501	(18 PINS, BLACK)	center console		02-3
X503	(12 PINS, BLACK)	LH side of dash		04-2
X504	(12 PINS, BLACK)	LH side of dash FOG LIGHT SWITCH		04-2
X506	(12 PINS, WHITE)	below center console	30-2	04-3
X509	(9 PINS, WHITE)	below LH side of dash RIGHT PARK LIGHT/LICENSE PLATE LIGHT RELAY		05-4



COMPONENT LOCATION CHART

COMP.	DESCRIPTION	LOCATION	7100.0	8500.0
X511	(8 PINS, BLACK)	near gearshift lever		06-3
X512	(12 PINS, BLACK)	inside box on interior side of RH door sill	28-1	04-1
X514	(4 PINS, BLACK)	center of dash		09-2
X516	(5 PINS, BLACK)	center console		08-5
X517	(4 PINS, BLACK)	LH side of dash DIMMER		09-2
X518	(4 PINS, BLACK)	below RH side of dash under glove box	29-1	09-2
X521	(6 PINS, BLUE)	center console	30-1	07-2
X522	(3 PINS, WHITE)	below RH side of dash under glove box	29-1	10-6
X523	(6 PINS, BLACK)	inside box on interior side of LH door sill		08-3
X529	(6 PINS, BLACK)	center console		07-2
X531	(2 PINS, WHITE)	center of dash FRONT CIGAR LIGHTER		
X532	(2 PINS, BLACK)	center of dash FRONT CIGAR LIGHTER LIGHT		
X537	(2 PINS, BLACK)	LH front door behind door panel LEFT FRONT MIDRANGE SPEAKER	32-1	
X538	(2 PINS, BLACK)	at back of rear window shelf RIGHT FRONT MIDRANGE SPEAKER		
X539	(2 PINS, WHITE)	below center console	30-2	
X540	(2 PINS, BLACK)	RH side of dash behind glove box RH side of IHKA Plenum		
X541	(1 PIN, BLACK)	RH side of glove box		
X542	(2 PINS, BLACK)	RH side of dash behind glove box RH side of IHKA Plenum		
X543	(3 PINS, BLACK)	center of dash DASH LIGHT		10-5
X546	(2 PINS, WHITE)	below center console	30-2	
X601	(26 PINS, YELLOW)	underside of LH front seat	41-1	01-4
X603	(12 PINS, BLACK)	LH front seat DRIVER'S MEMORY SEAT ADJUSTMENT SWITCH		04-4



COMPONENT LOCATION CHART

COMP.	DESCRIPTION	LOCATION	7100.0	8500.0
X604	(12 PINS, BLACK)	RH front seat PASSENGER'S SEAT, SEAT CONTROL SWITCH		04-4
X605	(12 PINS, BLACK)	in LH forward side of luggage compartment	40-1	04-1
X606	(26 PINS, WHITE)	in LH forward side of luggage compartment	40-1	01-2
X607	(12 PINS, WHITE)	behind dashboard behind glove box	03-3	03-6
X610	(26 PINS, WHITE)	between front footwells		01-2
X611	(26 PINS, BLACK)	between front footwells		01-2
X612	(26 PINS, BLUE)	center of dash		01-2
X613	(26 PINS, BLUE)	between front footwells		01-2
X614	(26 PINS, YELLOW)	between front footwells		01-2
X621	(10 PINS, BLACK)	ahead of RH front door		05-3
X622	(10 PINS, BLACK)	ahead of LH front door		05-2
X623	(10 PINS, BLACK)	in upper LH front door	34-2	05-1
X624	(10 PINS, BLACK)	in upper RH front door	34-2	05-1
X625	(6 PINS, WHITE)	LH front door behind door panel	35-1	08-2
X627	(2 PINS, BLACK)	center of windshield header		
X638	(3 PINS, BLACK)	under RH rear seat	33-2	11-4
X641	(6 PINS, BLACK)	in lower RH side of front door		07-5
X643	(6 PINS, BLUE)	center of windshield header SUNROOF SWITCH	31-2	08-2
X650	(6 PINS, BLACK)	LH front seat MEMORY SEAT MIRRORS SWITCH		07-2
X651	(6 PINS, YELLOW)	LH front seat DRIVER'S SEAT, SEAT HEATER SWITCH	30-1	07-2
X652	(4 PINS, BLACK)	LH front seat DRIVER'S SEAT LUMBAR SWITCH		09-2
X658	(6 PINS, YELLOW)	RH front seat PASSENGER'S SEAT, SEAT HEATER SWITCH	30-1	07-2



COMPONENT LOCATION CHART

COMP. DESCRIPTION	LOCATION	7100.0	8500.0
X659 . (4 PINS, BLACK)	RH front seat PASSENGER'S SEAT, SEAT HEATER SWITCH		09-2
X660 . (6 PINS, BLACK)	in lower LH front door		07-5
X661 . (6 PINS, GRAY)	behind center of dashboard left		08-1
X662 . (6 PINS, GRAY)	below LH side of dash		08-1
X663 . (6 PINS, GRAY)	LH side of IHKA Plenum		08-1
X664 . (6 PINS, GRAY)	LH side of IHKA Plenum		08-1
X666 . (6 PINS, GRAY)	center of dash left of radio		08-1
X667 . (6 PINS, GRAY)	below LH side of dash		08-1
X668 . (6 PINS, GRAY)	LH side of RH footwell		08-1
X669 . (6 PINS, GRAY)	RH side of dash behind glove box		08-1
X670 . (6 PINS, GRAY)	behind center of dashboard right		08-1
X671 . (5 PINS, BLACK)	LH side of RH footwell		08-4
X672 . (4 PINS, BLACK)	in luggage compartment		09-5
X675 . (4 PINS, WHITE)	in luggage compartment		08-6
X676 . (4 PINS, BLACK)	in luggage compartment		08-6
X678 . (12 PINS, WHITE)	underside of LH front seat	41-1	04-3
X679 . (2 PINS, WHITE)	under LH rear seat	33-1	
X682 . (3 PINS, BLACK)	center of dash		10-5
X684 . (3 PINS, BLACK)	RH front door right		11-4
X685 . (3 PINS, BLACK)	in upper LH front door left	34-3	11-4
X686 . (3 PINS, BLUE)	underside of LH front seat	41-1	10-4
X687 . (3 PINS, BLUE)	LH front seat		10-4



COMPONENT LOCATION CHART

COMP.	DESCRIPTION	LOCATION	7100.0	8500.0
X688	(3 PINS, BLUE)	LH front seat		10-4
X690	(3 PINS, BLUE)	underside of LH front seat	41-1	10-4
X692	(3 PINS, BLACK)	center of dash		12-2
X700	(2 PINS, BLACK)	behind RH footwell kickpanel		
X701	(2 PINS, BLACK)	behind LH footwell speaker grille	28-3	
X706	(2 PINS, BLACK)	center console CASSETTE TAPE PLAYER LIGHT		
X709	(2 PINS, BLACK)	underside of trunk lid LEFT LICENSE PLATE LIGHT		
X710	(2 PINS, BLACK)	underside of trunk lid RIGHT LICENSE PLATE LIGHT		
X711	(1 PIN, BLACK)	underside of trunk lid TRUNK LID SWITCH		
X712	(1 PIN, BLACK)	underside of trunk lid TRUNK LID LIGHT		
X713	(2 PINS, BLACK)	behind RH rear wheel	42-3	
X714	(4 PINS, BLACK)	RH side of RH rear seat behind trim panel	33-3	09-2
X715	(2 PINS, BLACK)	left from LH rear seat behind trim panel	33-3	
X720	(4 PINS, BLACK)	left from LH rear seat behind trim panel		09-2
X721	(2 PINS, BLACK)	RH side of RH rear seat behind trim panel		
X726	(2 PINS, BLACK)	under LH front seat		
X727	(2 PINS, WHITE)	under LH front seat		
X728	(2 PINS, WHITE)	under LH front seat		
X729	(2 PINS, BLACK)	in lower LH front seatback		
X734	(2 PINS, BLACK)	under RH front seat		
X735	(2 PINS, WHITE)	under RH front seat		
X736	(2 PINS, BLACK)	in lower RH front seatback		



COMPONENT LOCATION CHART

COMP.	DESCRIPTION	LOCATION	7100.0	8500.0
X737	(2 PINS, WHITE)	under RH front seat		
X742	(2 PINS, YELLOW)	RH front door		
X744	(6 PINS, BLACK)	in lower RH side of front door		07-5
X745	(2 PINS, BLACK)	in upper RH C-pillar	32-3	
X746	(2 PINS, BLACK)	in upper RH front door		
X747	(2 PINS, YELLOW)	in upper LH front door left	34-3	
X748	(2 PINS, WHITE)	in lower LH front door behind door panel	32-1	
X749	(6 PINS, BLACK)	in lower LH front door	35-2	07-5
X751	(2 PINS, WHITE)	in upper LH front door left	34-3	
X752	(2 PINS, GRAY)	in upper LH front door left	34-3	
X753	(2 PINS, BLACK)	in lower LH front door behind door panel	32-1	
X770	(2 PINS, YELLOW)	in ventilation duct left	20-3	
X771	(2 PINS, BLACK)	RH side of LH footwell		
X772	(2 PINS, WHITE)	center console left behind radio		
X773	(2 PINS, WHITE)	center console right behind radio		
X774	(2 PINS, GRAY)	behind center of cowl under RH side of windshield		
X778	(3 PINS, BLACK)	underside of LH front seat		10-5
X779	CHARGING SOCKET	LH side of glove box		
X782	(3 PINS, ORANGE)	below RH side of dash		11-6
X816	(1 PIN, BLACK)	behind center of cowl		
X817	(1 PIN, BLACK)	behind center of cowl		
X818	GROUND	below LH side of dash	10-3	



COMPONENT LOCATION CHART

COMP.	DESCRIPTION	LOCATION	7100.0	8500.0
X818	GROUND	below LH side of dash	27-3	
X848	(4 PINS, GREEN)	at back of rear window shelf	13-3	10-3
X881	(6 PINS, WHITE)	RH front seat PASSENGER'S THIGH SUPPORT SWITCH		08-2
X882	(2 PINS, BLACK)	under LH front seat		
X883	(2 PINS, BLACK)	under RH front seat		
X884	(3 PINS, BLUE)	under LH front seat		10-4
X886	(6 PINS, WHITE)	LH front seat DRIVER'S THIGH SUPPORT SWITCH		08-2
X887	(26 PINS, BLACK)	in lower LH front door	35-3	01-2
X889	(26 PINS, WHITE)	in upper RH front door	35-3	01-2
X898	(6 PINS, BLACK)	center of dash REAR WINDOW DEFOGGER SWITCH		07-2
X909	(2 PINS, GRAY)	RH front door right		
X916	(5 PINS, BLACK)	center of windshield header	31-1	08-4
X917	(6 PINS, BLACK)	center of windshield header	31-1	07-2
X924	(6 PINS, BLACK)	underside of trunk lid left	40-3	07-6
X925	(6 PINS, BLACK)	underside of trunk lid right	40-3	07-6
X932	(2 PINS, GRAY)	in lower LH front door	34-1	
X933	(2 PINS, GRAY)	in lower RH side of front door	34-1	
X936	(2 PINS, WHITE)	in lower LH front door	35-3	
X937	(2 PINS, WHITE)	RH front door	35-3	
X941	(9 PINS, BLACK)	rear LH side of engine compartment in Front Power Distribution Box		05-4
X945	(10 PINS, WHITE)	in RH side of luggage compartment	38-3	04-6
X947	(6 PINS, BLACK)	center console	31-3	07-2



COMPONENT LOCATION CHART

COMP.	DESCRIPTION	LOCATION	7100.0	8500.0
X949	(5 PINS, BLACK)	at back of rear window shelf	13-3	08-4
X998	(2 PINS, NATURAL)	LH front seat RH DRIVER'S SEATBACK SWITCH		
X999	(2 PINS, WHITE)	RH front seat LH DRIVER'S SEATBACK SWITCH		
X1001	(4 PINS, NATURAL)	in RH rear side of luggage compartment	39-1	09-2
X1002	(4 PINS, NATURAL)	in LH rear side of luggage compartment	37-3	09-2
X1003	(12 PINS, BLACK)	below center console	30-3	04-3
X1010	(2 PINS, BLACK)	RH side of engine compartment under concealing headlight		
X1011	(2 PINS, GRAY)	RH side of engine compartment on washer fluid reservoir	23-2	
X1021	(9 PINS, BLACK)	rear LH side of engine compartment in Front Power Distribution Box		05-4
X1124	(2 PINS, YELLOW)	front RH side of engine compartment		
X1165	GROUND	front LH side of engine compartment		
X1178	(2 PINS, BLACK)	near gearshift lever		
X1178	(3 PINS, BLACK)	near gearshift lever (840Ci)	43-1	
X1193	(3 PINS, BLACK)	below center console		10-5
X1193	(12 PINS, BLACK)	near gearshift lever (LATE PRODUCTION)	43-1	03-5
X1204	(2 PINS, WHITE)	left from LH rear seat behind trim panel	33-3	
X1205	(2 PINS, WHITE)	RH side of RH rear seat behind trim panel		
X1229	(4 PINS, BLACK)	center of dash behind radio		10-3
X1230	(4 PINS, WHITE)	left from LH rear seat behind trim panel	33-3	09-3
X1282	(3 PINS, BLACK)	in E-Box		13-1
X1372	(2 PINS, BLACK)	LH side of glove box		
X1375	(2 PINS, BLACK)	LH side of glove box left		



COMPONENT LOCATION CHART

COMP.	DESCRIPTION	LOCATION	7100.0	8500.0
X1376	(9 PINS, BLACK)	rear Power Distribution Box		05-4
X1377	(2 PINS, BLACK)	underside of trunk lid	40-2	
X1426	(1 PIN, BROWN)	below RH side of dash		
X1439	(2 PINS, BLACK)	center console		
X1544	(9 PINS, BLACK)	in auxiliary relay box LH front of engine compartment	44-3	05-4
X1599	(6 PINS, BLACK)	center console	29-2	14-4
X1659	(15 PINS, YELLOW)	behind glove box		03-4
X1660	(3 PINS, WHITE)	RH side of steering column		10-5
X3210	(26 PINS, BLUE)	behind RH footwell speaker grille	29-3	01-4
X3211	(4 PINS, BLACK)	front LH side of engine compartment	15-3	14-3
X6000	(88 PINS, BLACK)	in E-Box		00-1
X6002	(20 PINS, BLACK)	RH side of engine compartment	21-2	02-2
X6004	(55 PINS, BLACK)	rear RH side of engine compartment in E-Box (850CSI)		00-2
X6004	(88 PINS, BLACK)	rear RH side of engine compartment in E-Box (850Ci)		00-1
X6010	(88 PINS, BLACK)	rear RH side of engine compartment in E-Box		00-1
X6020	(88 PINS, BLACK)	rear RH side of engine compartment in E-Box		00-1
X6051	(26 PINS, BLACK)	rear RH side of engine compartment in E-Box (850Ci)		01-2
X6099	(1 PIN, BLACK)	front of engine left		
X6101	(2 PINS, BLACK)	RH cylinder head (840Ci)		
X6101	(2 PINS, BLACK)	RH side of engine		
X6102	(2 PINS, BLACK)	RH cylinder head		00-1
X6102	(2 PINS, BLACK)	RH side of engine		



COMPONENT LOCATION CHART

COMP.	DESCRIPTION	LOCATION	7100.0	8500.0
X6103	(2 PINS, BLACK)	RH cylinder head		00-1
X6103	(2 PINS, BLACK)	RH side of engine		
X6104	(2 PINS, BLACK)	RH cylinder head		00-1
X6104	(2 PINS, BLACK)	RH side of engine		
X6105	(2 PINS, BLACK)	LH cylinder head		00-1
X6105	(2 PINS, BLACK)	RH side of engine		
X6106	(2 PINS, BLACK)	LH cylinder head		00-1
X6106	(2 PINS, BLACK)	RH side of engine		
X6107	(2 PINS, BLACK)	LH cylinder head		00-1
X6107	(2 PINS, BLACK)	LH side of engine		
X6108	(2 PINS, BLACK)	LH cylinder head		00-1
X6108	(2 PINS, BLACK)	LH side of engine		
X6109	(2 PINS, BLACK)	LH side of engine		
X6110	(2 PINS, BLACK)	LH side of engine		
X6111	(2 PINS, BLACK)	LH side of engine		
X6112	(2 PINS, BLACK)	LH side of engine		
X6120	(2 PINS, BLACK)	front of engine		
X6121	(2 PINS, BLACK)	RH side of engine compartment under air filter	21-2	
X6122	(2 PINS, WHITE)	RH side of engine compartment under air filter	21-2	
X6130	(3 PINS, GRAY)	front of engine	44-1	06-2
X6151	(3 PINS, BLACK)	RH side of engine compartment (850Ci, 850CSi)		03-2
X6151	(3 PINS, BLACK)	RH cylinder head (840Ci)		03-2



COMPONENT LOCATION CHART

COMP.	DESCRIPTION	LOCATION	7100.0	8500.0
X6152	(3 PINS, BLACK)	RH cylinder head (840Ci)		03-2
X6152	(3 PINS, BLACK)	LH side of engine compartment (850Ci, 850CSi)		03-2
X6153	(3 PINS, BLACK)	RH cylinder head (840Ci)		03-2
X6154	(3 PINS, BLACK)	RH cylinder head (840Ci)		03-2
X6155	(3 PINS, BLACK)	LH cylinder head (840Ci)		03-2
X6156	(3 PINS, BLACK)	LH cylinder head (840Ci)		03-2
X6157	(3 PINS, BLACK)	LH cylinder head (840Ci)		03-2
X6158	(3 PINS, BLACK)	LH cylinder head (840Ci)		03-2
X6164	(2 PINS, BLACK)	LH side of engine		
X6203	(2 PINS, BLACK)	front of engine		
X6203	(2 PINS, BLACK)	on RH side of transmission (840Ci)	42-2	
X6204	(3 PINS, BLACK)	front of engine		
X6205	(2 PINS, BLACK)	front RH side of engine compartment		
X6209	(3 PINS, BLACK)	top center of engine		07-4
X6210	(4 PINS, BLACK)	on catalytic converter under center of car	14-3	10-1
X6211	(3 PINS, GRAY)	front of engine left	21-3	12-1
X6212	(3 PINS, BLACK)	front of engine compartment	21-3	12-1
X6213	(2 PINS, BLACK)	rear RH side of engine compartment below		
X6215	(2 PINS, BLACK)	front of engine	44-2	
X6216	(7 PINS, BLACK)	LH side of engine compartment	20-2	06-5
X6217	(4 PINS, GRAY)	front of engine		07-1
X6219	(3 PINS, BLACK)	RH cylinder head (840Ci)	43-3	02-5



COMPONENT LOCATION CHART

COMP.	DESCRIPTION	LOCATION	7100.0	8500.0
X6220	(4 PINS, BLACK)	on catalytic converter under center of car	14-3	10-1
X6221	(3 PINS, BLACK)	front of engine	21-3	12-1
X6222	(3 PINS, GRAY)	front of engine	21-3	12-1
X6223	(2 PINS, BLACK)	rear LH side of engine compartment below		
X6225	(2 PINS, BLACK)	rear of engine		
X6226	(7 PINS, BLACK)	RH side of engine compartment		06-5
X6227	(4 PINS, GRAY)	RH side of engine compartment		07-1
X6230	(3 PINS, BLACK)	under LH front of car	14-1	12-1
X6232	(2 PINS, BLACK)	on coolant inlet		
X6234	(2 PINS, WHITE)	on coolant inlet		
X6235	(2 PINS, BLACK)	rear RH side of engine compartment in E-Box	24-3	
X6236	(3 PINS, BLACK)	on coolant inlet		06-2
X6241	(2 PINS, BLACK)	RH cylinder head		
X6241	(2 PINS, BLACK)	RH cylinder head (840Ci)	43-3	
X6242	(2 PINS, BLACK)	RH cylinder head		
X6242	(2 PINS, BLACK)	RH cylinder head (840Ci)	43-3	
X6243	(2 PINS, BLACK)	LH cylinder head		
X6243	(2 PINS, BLACK)	LH cylinder head (840Ci)	18-3	
X6244	(2 PINS, BLACK)	LH cylinder head		
X6244	(2 PINS, BLACK)	LH cylinder head (840Ci)	18-3	
X6252	(3 PINS, BLACK)	front of engine	44-2	06-2
X6253	(3 PINS, BLACK)	front of engine	44-1	12-3



COMPONENT LOCATION CHART

COMP.	DESCRIPTION	LOCATION	7100.0	8500.0
X6256	(4 PINS, BLACK)	front of engine	44-1	07-1
X6300	(9 PINS, BLACK)	rear RH side of engine compartment in E-Box		05-4
X6301	(9 PINS, BLACK)	rear RH side of engine compartment in E-Box		05-4
X6303	(9 PINS, BLACK)	rear RH side of engine compartment in E-Box		05-4
X6310	(9 PINS, WHITE)	rear RH side of engine compartment in E-Box		05-4
X6311	(9 PINS, YELLOW)	rear RH side of engine compartment in E-Box		05-4
X6320	(9 PINS, WHITE)	rear RH side of engine compartment in E-Box		05-4
X6321	(9 PINS, YELLOW)	rear RH side of engine compartment in E-Box		05-4
X6360	(8 PINS, BLACK)	front of engine left	22-3	05-5
X6370	(8 PINS, BLACK)	front RH side of engine compartment	22-3	05-5
X6400	B+ JUNCTION POINT	rear RH side of engine compartment in E-Box	06-2	
X6400	B+ JUNCTION POINT	rear RH side of engine compartment in E-Box	24-2	
X6401	B+ JUNCTION POINT	behind rear panel in the luggage compartment on top of battery		
X6402	GROUND	in LH rear side of luggage compartment behind trim panel	37-1	
X6403	(1 PIN, --)	in RH side of luggage compartment		
X6405	GROUND	in RH side of luggage compartment	09-1	
X6405	GROUND	in RH side of luggage compartment	38-2	
X6406	B+	in RH side of luggage compartment	07-1	
X6406	B+	in RH side of luggage compartment	38-2	
X6452	GROUND	rear RH side of engine compartment near shock tower	08-1	
X6452	GROUND	rear RH side of engine compartment near shock tower	23-3	
X6453	GROUND	rear RH side of engine compartment near shock tower	08-1	



COMPONENT LOCATION CHART

COMP. DESCRIPTION	LOCATION	7100.0	8500.0
X6453 GROUND	rear RH side of engine compartment near shock tower	23-3	
X6506 (4 PINS, BLACK)	rear RH side of engine compartment in E-Box	24-3	09-2
X6510 (1 PIN, ---)	at starter		
X6511 (1 PIN, ---)	at starter		
X6512 (1 PIN, ---)	at starter		
X6519 (1 PIN, ---)	at generator		
X6524 (3 PINS, BLACK)	at generator		06-2
X6916 (2 PINS, BLACK)	under RH front of car (840Ci)		
X6916 (4 PINS, BLACK)	under RH front of car		07-4
X7151 (1 PIN, ---)	RH side of engine compartment	21-1	
X7152 (1 PIN, ---)	LH side of engine compartment	17-3	
X7512 B+ JUNCTION POINT	rear LH side of engine compartment	06-1	
X7512 B+ JUNCTION POINT	rear LH side of engine compartment	18-2	
X7519 (1 PIN, BLACK)	LH side of engine compartment below intake manifold		
X8063 (3 PINS, BLACK)	in E-Box		11-3
X8064 (3 PINS, BLACK)	in E-Box		11-3
X8065 (3 PINS, BLACK)	in E-Box		11-3
X8069 (3 PINS, BLACK)	in E-Box		11-3
X8151 (1 PIN, ---)	RH side of engine compartment	21-1	
X8152 (1 PIN, ---)	LH side of engine compartment	17-3	
X8500 (35 PINS, NATURAL)	in RH rear side of luggage compartment		00-3
X8505 (8 PINS, BLACK)	under center of car (840Ci)		06-1



COMPONENT LOCATION CHART

COMP.	DESCRIPTION	LOCATION	7100.0	8500.0
X8505	(16 PINS, BLACK)	under center of car	43-2	13-5
X8507	(1 PIN, BLACK)	RH side of LH footwell		
X8509	(8 PINS, BLACK)	center console near gearshift lever	30-1	06-4
X8511	(2 PINS, BLACK)	on RH side of transmission	14-3	
X8517	(10 PINS, WHITE)	center console near gearshift lever	30-2	05-3
X8518	(3 PINS, BLACK)	center console near gearshift lever		10-5
X8522	(2 PINS, BLACK)	center console		
X8532	(10 PINS, BLACK)	center console		03-1
X8532	(10 PINS, BLACK)	center console (840Ci)	43-2	
X8586	(4 PINS, YELLOW)	near gearshift lever	43-1	09-1
X8586	(6 PINS, BLACK)	center console		
X8600	(88 PINS, BLACK)	rear RH side of engine compartment in E-Box		
X9423	(2 PINS, BLACK)	below front of console		
X10006	(1 PIN, BLACK)	RH side of glove box above		
X10039	(10 PINS, BLACK)	rear LH side of engine compartment in Front Power Distribution Box		04-5
X10040	(10 PINS, BLACK)	rear LH side of engine compartment in Front Power Distribution Box		04-5
X10041	(10 PINS, BLACK)	rear LH side of engine compartment in Front Power Distribution Box		04-5
X10042	(10 PINS, BLACK)	rear LH side of engine compartment in Front Power Distribution Box		04-5
X10044	(9 PINS, BLACK)	rear LH side of engine compartment in Front Power Distribution Box		05-4
X10045	(9 PINS, BLACK)	rear LH side of engine compartment in Front Power Distribution Box		05-4
X10046	(2 PINS, BLACK)	in spare-wheel well	41-2	
X10047	(9 PINS, BLACK)	rear LH side of engine compartment in Front Power Distribution Box		05-4

02/97

7000.0-44

95/96



COMPONENT LOCATION CHART

COMP. DESCRIPTION	LOCATION	7100.0	8500.0
X10051 (4 PINS, BLACK)	LH side of dash		09-6
X10052 (1 PIN, BLACK)	rear LH side of engine compartment	19-1	
X10053 (1 PIN, BLACK)	rear LH side of engine compartment	19-2	
X10058 (1 PIN, YELLOW)	LH footwell	25-3	
X10088 (1 PIN, BLACK)	on underside of engine hood		
X10089 (1 PIN, BLACK)	on underside of engine hood		
X10094 (2 PINS, BLACK)	LH side of engine compartment		
X10195 (3 PINS, BLACK)	on steering wheel		11-5
X10218 (3 PINS, NATURAL)	in passenger's seat area		10-5
X11200 (2 PINS, BLACK)	LH side of engine compartment		
X11244 (2 PINS, BLACK)	in ventilation duct right		
X11255 (9 PINS, BLACK)	in auxillary relay box LH front of engine compartment	44-3	05-4
X13001 (9 PINS, BLACK)	rear Power Distribution Box CONSUMER CUT-OFF RELAY I		05-4
X13008 (2 PINS, WHITE)	under RH rear seat	33-2	
X13015 (9 PINS, BLACK)	in LH side of luggage compartment CONSUMER CUT-OFF RELAY II		05-4
X13017 (1 PIN, BLACK)	in upper LH C-pillar	32-2	
X13018 (1 PIN, BLACK)	in upper RH C-pillar	32-3	
X13027 (1 PIN, BLACK)	underside of trunk lid TRUNK LID SWITCH		
X13049 (1 PIN, BROWN)	in upper LH C-pillar	32-2	
X13052 (10 PINS, BLACK)	LH side of LH footwell	28-2	04-5
X13109 (6 PINS, BLACK)	under LH front seat		07-3
X13110 (6 PINS, BLACK)	under RH front seat		07-3



COMPONENT LOCATION CHART

COMP. DESCRIPTION	LOCATION	7100.0	8500.0
X13139 (10 PINS, BLACK)	in rear view mirror		05-1
X13167 (9 PINS, BLACK)	below LH side of dash		05-4
X13280 (3 PINS, BLACK)	center console		10-5
X18024 (6 PINS, BLACK)	LH side of engine compartment		07-5
X18025 (4 PINS, BLACK)	LH side of engine compartment		10-2
X18029 (4 PINS, BLACK)	LH footwell		09-1
X18031 (3 PINS, BLACK)	RH front of wheel well above	15-1	10-6
X18055 (12 PINS, BLACK)	below center console	30-2	04-3
X18066 (3 PINS, WHITE)	in RH rear side of luggage compartment	38-1	11-5
X18067 (3 PINS, WHITE)	in LH forward side of luggage compartment behind trim panel	36-3	11-2
X18068 (9 PINS, BLACK)	in RH side of luggage compartment		05-4
X18080 (1 PIN, BLACK)	underside of trunk lid TRUNK LID LIGHT		
X18093 (6 PINS, BLACK)	LH side of dash	27-1	07-3
X18094 (3 PINS, BLUE)	bottom of steering column		10-4
X18095 (3 PINS, BLUE)	bottom of steering column		10-4
X18096 (2 PINS, BLACK)	bottom of steering column		
X18097 (2 PINS, BLACK)	bottom of steering column		
X18098 (5 PINS, BLACK)	behind dashboard behind radio		08-4
X18099 (12 PINS, BLACK)	behind dashboard behind radio		13-2
X18124 (2 PINS, WHITE)	under RH front seat		
X18125 (2 PINS, WHITE)	under RH front seat		
X18126 (17 PINS, BLACK)	center console		02-4



COMPONENT LOCATION CHART

COMP.	DESCRIPTION	LOCATION	7100.0	8500.0
X18131	(12 PINS, WHITE)	center of dash behind radio		03-5
X18135	(4 PINS, WHITE)	in upper LH front seatback		09-3
X18138	(4 PINS, WHITE)	in upper RH front seatback		09-3
X18145	(2 PINS, BLACK)	under rear of car	12-3	
X18146	(2 PINS, BLACK)	under RH rear of car	12-3	
X18165	(3 PINS, BLACK)	underside of RH front seat		10-5
X18166	(2 PINS, BLACK)	in upper LH front door DRIVER'S DOOR PANEL LIGHT		
X18167	(2 PINS, BLACK)	in upper RH front door PASSENGER'S DOOR PANEL LIGHT		
X18170	GROUND	inside box on interior side of LH door sill	10-2	
X18170	GROUND	inside box on interior side of LH door sill	25-2	
X18171	(10 PINS, BLACK)	in upper LH front door DRIVER'S SIDE MEMORY MIRROR	34-2	05-1
X18172	(10 PINS, BLACK)	in upper RH front door	34-2	05-1
X18173	(6 PINS, BLACK)	in upper LH front door		07-2
X18177	(2 PINS, GRAY)	in spare-wheel well	41-2	
X18178	(4 PINS, BLACK)	underside of LH front seat		09-6
X18179	(4 PINS, BLACK)	under RH front seat		09-6
X18180	(3 PINS, WHITE)	in luggage compartment	00-3	12-2
X18246	(3 PINS, YELLOW)	center of windshield header		12-4
X18304	(4 PINS, YELLOW)	on steering column		09-1
X18319	(18 PINS, BLACK)	under LH front seat		02-3
X18320	(26 PINS, WHITE)	under LH front seat		01-2
X18321	(10 PINS, BLACK)	under LH front seat		05-2



COMPONENT LOCATION CHART

COMP. DESCRIPTION	LOCATION	7100.0	8500.0
X18322 (26 PINS, BLACK)	under LH front seat		01-2
X18323 (4 PINS, BLACK)	under LH front seat		10-3
X18324 (6 PINS, BLUE)	under LH front seat		08-3
X18331 (6 PINS, GREEN)	center console	31-3	07-2
X18500 (25 PINS, BLACK)	in LH forward side of luggage compartment	40-1	13-4
X18507 (4 PINS, BLACK)	center console		09-2
X18509 (8 PINS, BLACK)	center console		13-3
X18514 (2 PINS, NATURAL)	footwell, driver's side		
X18515 (2 PINS, NATURAL)	behind LH footwell speaker grille	28-3	
X18736 (1 PIN, BLUE)	inside box on interior side of LH door sill		
X18741 (4 PINS, BLACK)	center of dash		09-1
X18742 (2 PINS, BLACK)	under rear of car		
X18757 (3 PINS, WHITE)	left from LH rear seat behind trim panel	33-3	10-6
X18766 (9 PINS, BLACK)	in auxiliary relay box LH front of engine compartment		05-4
X18767 (9 PINS, BLACK)	in auxiliary relay box LH front of engine compartment		05-4
X18978 (4 PINS, BLACK)	under center of car	42-1	13-6
X18979 (4 PINS, BLACK)	under center of car	42-1	13-6
X19527 (16 PINS, BLACK)	LH footwell		14-1
X19529 (6 PINS, BLACK)	in lower RH front door		07-3
X62101 (4 PINS, BLACK)	on catalytic converter		13-6
X62101 (4 PINS, BLACK)	under center of car (840Ci)	43-2	
X62201 (4 PINS, BLACK)	on catalytic converter		13-6



COMPONENT LOCATION CHART

COMP.	DESCRIPTION	LOCATION	7100.0	8500.0
X62202	(4 PINS, BLACK)	under center of car		13-6
X90260	(3 PINS, BLACK)	RH side of steering column		10-5
Y1	ABS HYDRAULIC UNIT	front LH side of engine compartment under concealing headlight	20-3	
Y3	AIR CONDITIONING COMPRESSOR (IHKA)	front RH side of engine compartment under air filter		
Y4	WATER VALVE ASSEMBLY	rear LH side of engine compartment	18-2	
Y5	DRIVER'S SIDE MIRROR	in upper LH front door		
Y6	PASSENGER'S SIDE MIRROR	in upper RH front door		
Y9	DRIVER'S SIDE MEMORY MIRROR	in upper LH front door		
Y10	PASSENGER'S SIDE MEMORY MIRROR	in upper RH front door		
Y16	PRESSURE SENSOR/PLUNGER	LH side of engine compartment		
Y19	SHIFT-LOCK	near gearshift lever	29-2	
Y1w	ABS HYDRAULIC UNIT	front LH side of engine compartment under concealing headlight		
Y401z	LEFT FRONT EDC VALVES	behind LH front wheel		
Y402z	RIGHT FRONT EDC VALVES	behind RH front wheel	14-2	
Y403z	LEFT REAR EDC VALVES	behind LH rear wheel	13-2	
Y404z	RIGHT REAR EDC VALVES	behind RH rear wheel		
Y6101	CYL. 1 FUEL INJECTION VALVE	RH cylinder head	22-2	
Y6101	CYL. 1 FUEL INJECTION VALVE	RH cylinder head (840Ci)	44-2	
Y6102	CYL. 2 FUEL INJECTION VALVE	RH cylinder head	22-2	
Y6102	CYL. 2 FUEL INJECTION VALVE	RH cylinder head (840Ci)		
Y6103	CYL. 3 FUEL INJECTION VALVE	RH cylinder head	22-2	
Y6103	CYL. 3 FUEL INJECTION VALVE	RH cylinder head (840Ci)		



COMPONENT LOCATION CHART

COMP.	DESCRIPTION	LOCATION	7100.0	8500.0
Y6104	CYL. 4 FUEL INJECTION VALVE	RH cylinder head	22-2	
Y6104	CYL. 4 FUEL INJECTION VALVE	RH cylinder head (840Ci)		
Y6105	CYL. 5 FUEL INJECTION VALVE	RH cylinder head	22-2	
Y6105	CYL. 5 FUEL INJECTION VALVE	LH cylinder head (840Ci)		
Y6106	CYL. 6 FUEL INJECTION VALVE	RH cylinder head	22-2	
Y6106	CYL. 6 FUEL INJECTION VALVE	LH cylinder head (840Ci)		
Y6107	CYL. 7 FUEL INJECTION VALVE	LH cylinder head	22-1	
Y6107	CYL. 7 FUEL INJECTION VALVE	LH cylinder head (840Ci)		
Y6108	CYL. 8 FUEL INJECTION VALVE	LH cylinder head	22-1	
Y6108	CYL. 8 FUEL INJECTION VALVE	LH cylinder head (840Ci)		
Y6109	CYL. 9 FUEL INJECTION VALVE	LH cylinder head	22-1	
Y6110	CYL. 10 FUEL INJECTION VALVE	LH cylinder head	22-1	
Y6111	CYL. 11 FUEL INJECTION VALVE	LH cylinder head	22-1	
Y6112	CYL. 12 FUEL INJECTION VALVE	LH cylinder head	22-1	
Y6120	EVAPORATIVE EMISSION VALVE	front of engine		
Y6121	CYL. 1-6 EVAPORATIVE EMISSION VALVE	front RH side of engine compartment	21-2	
Y6122	CYL. 7-12 EVAPORATIVE EMISSION VALVE	front RH side of engine compartment	21-2	
Y6130	IDLE SPEED CONTROL VALVE	front of engine	44-1	
Y6164	SECONDARY AIR PUMP VALVE	LH side of engine		
Y8505w	TRANSMISSION VALVE UNIT	under center of car		

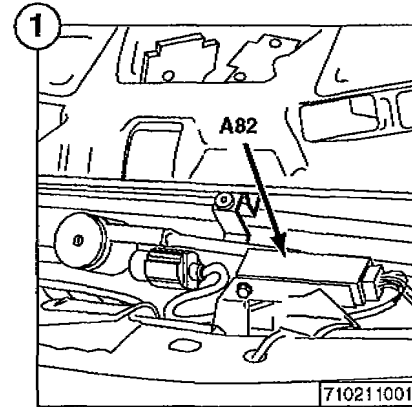
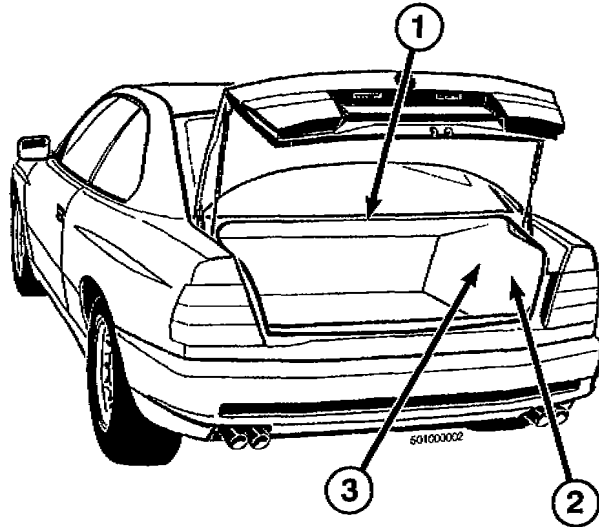


7100.0



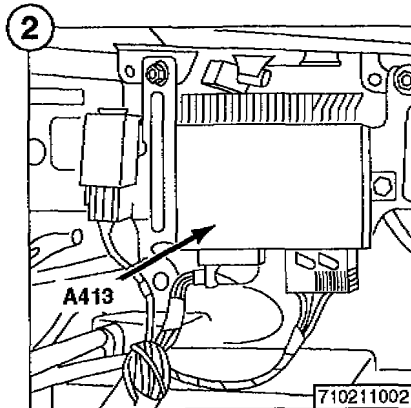
COMPONENT LOCATION VIEWS

ELECTRICAL CONTROL MODULE LOCATIONS



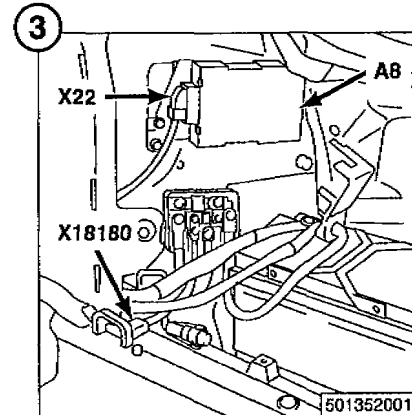
A82
SUN BLIND
CONTROL
MODULE

710211001



A413
ELECTRONIC
SHOCK
ABSORBER
CONTROL
MODULE (EDC)

710211002



A8
CRUISE CONTROL
MODULE
(TEMPOMAT)

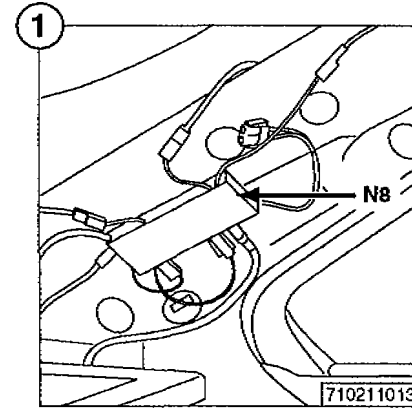
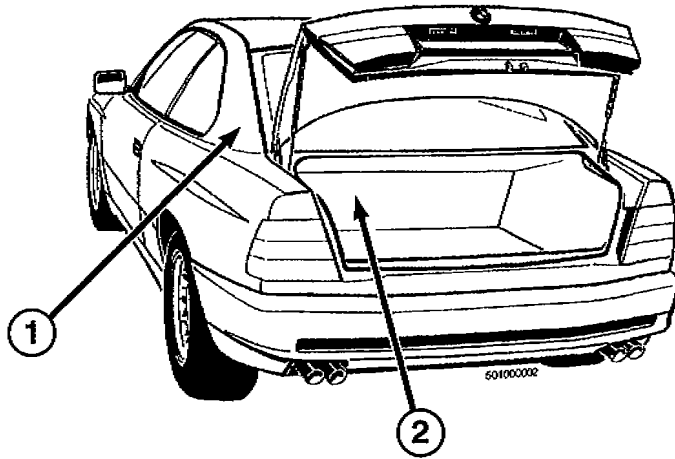
X22
X18180

501352001

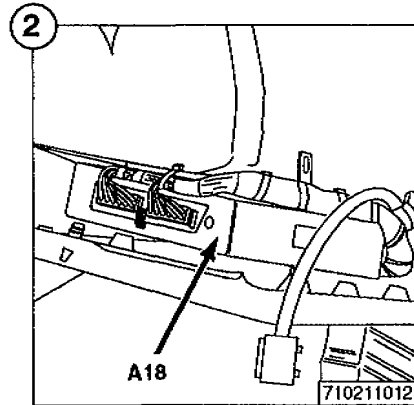


COMPONENT LOCATION VIEWS

ELECTRICAL CONTROL MODULE LOCATIONS



N8
ANTENNA
AMPLIFIER AM/FM

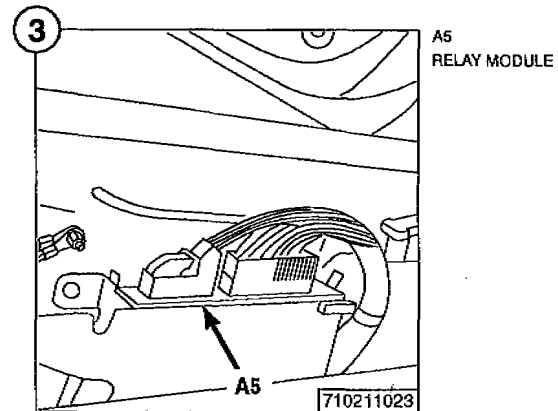
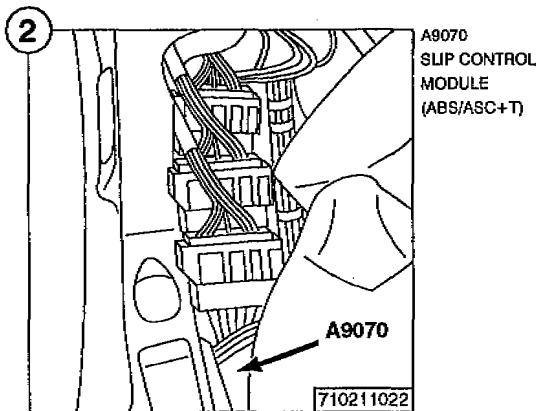
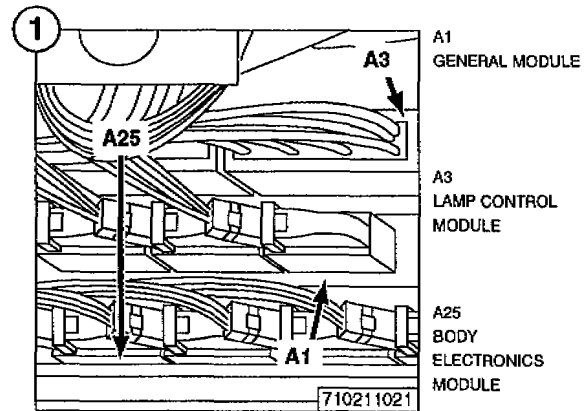
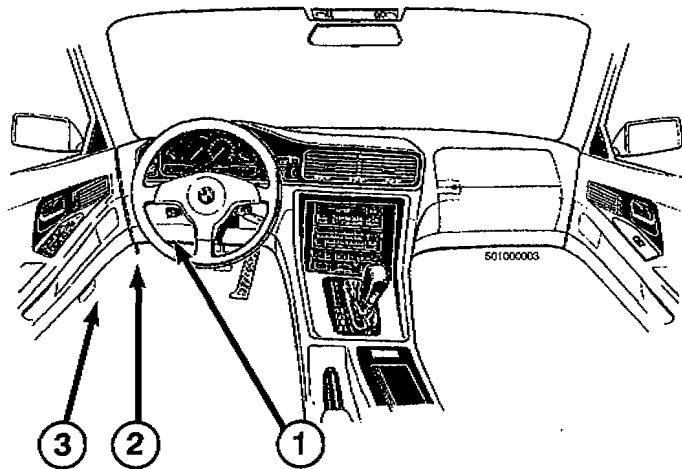


A18
HIFI AMPLIFIER



COMPONENT LOCATION VIEWS

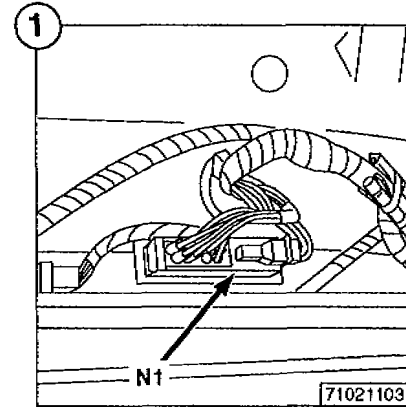
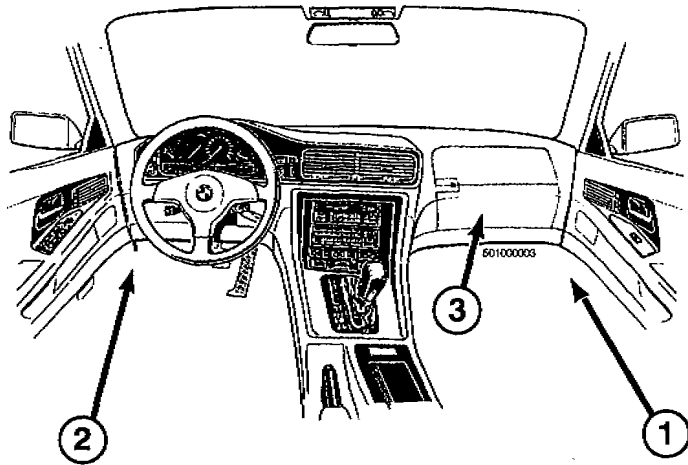
ELECTRICAL CONTROL MODULE LOCATIONS



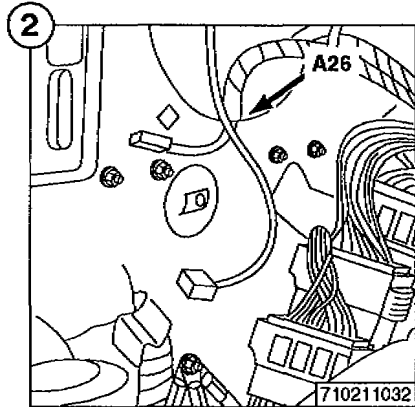


COMPONENT LOCATION VIEWS

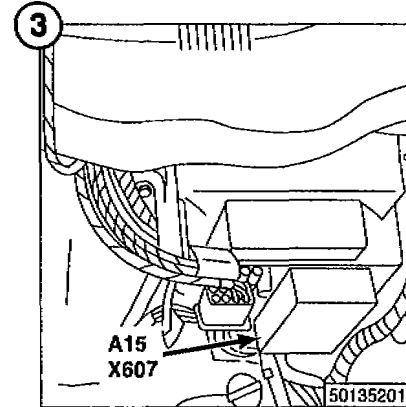
ELECTRICAL CONTROL MODULE LOCATIONS



N1
ANTI-THEFT
CONTROL
MODULE (DWA)



A26
LOCK-SENSOR
CONTROL
MODULE



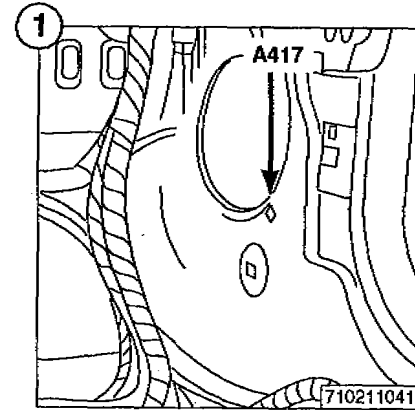
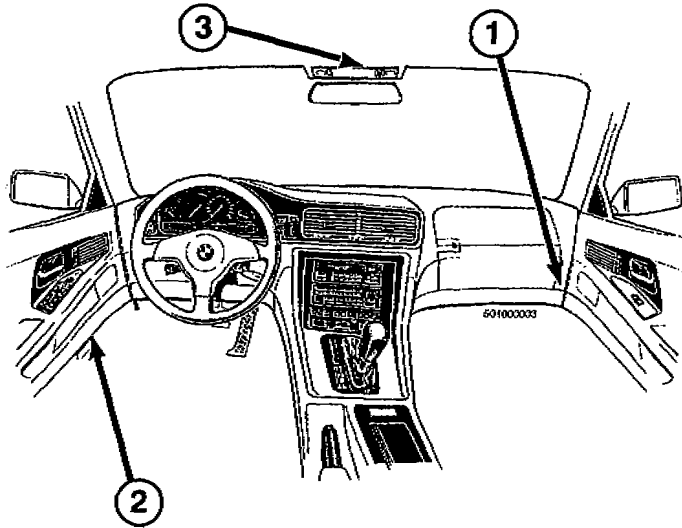
A15
PARK HEATING/
VENTILATION
RELAY BOX

X607

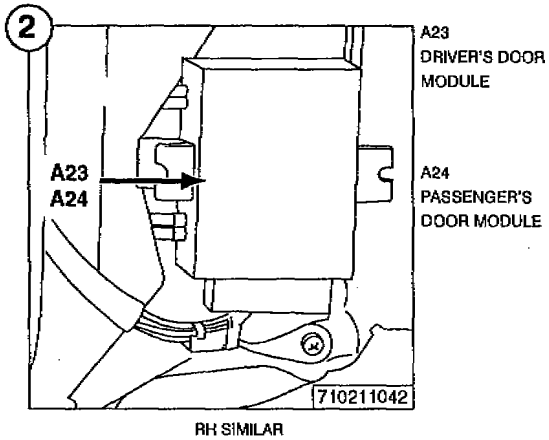


COMPONENT LOCATION VIEWS

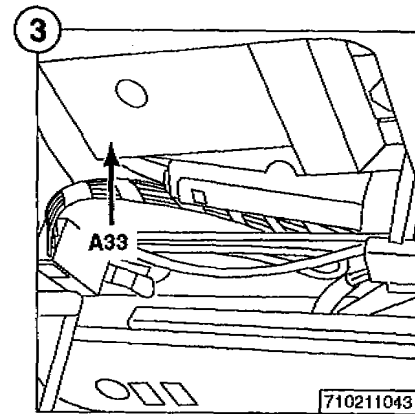
ELECTRICAL CONTROL MODULE LOCATIONS



A417
AUTOMATIC AIR
RECIRCULATION
CONTROL
MODULE



RH SIMILAR

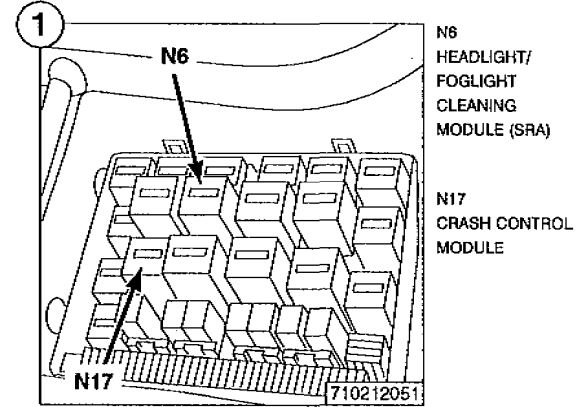
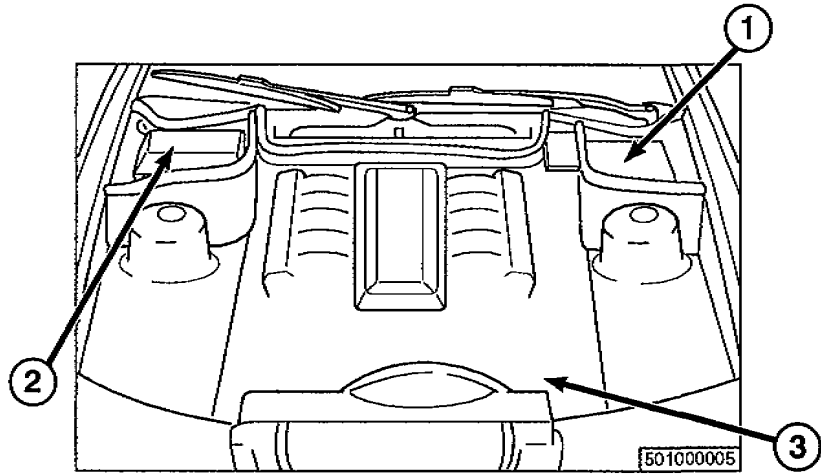


A33
SUNROOF
MODULE



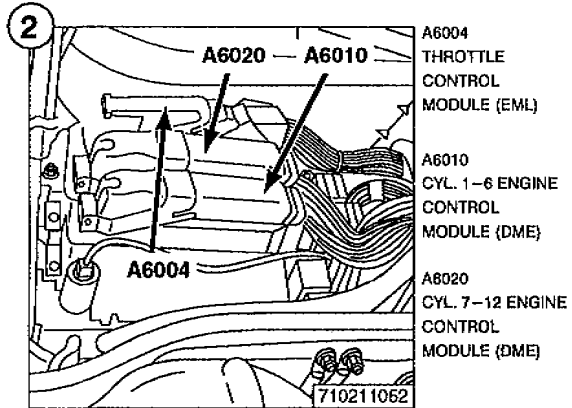
COMPONENT LOCATION VIEWS

ELECTRICAL CONTROL MODULE LOCATIONS



N6
HEADLIGHT/
FOGLIGHT
CLEANING
MODULE (SRA)

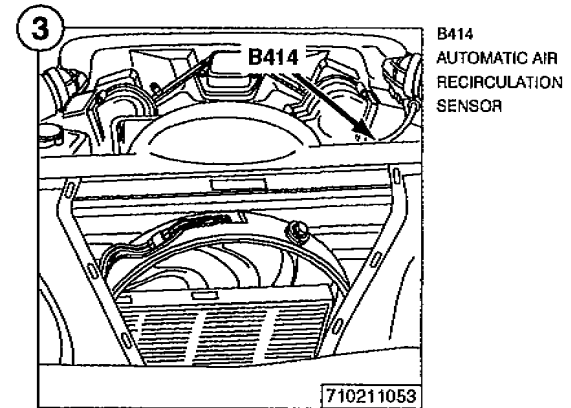
N17
CRASH CONTROL
MODULE



A6004
THROTTLE
CONTROL
MODULE (EML)

A6010
CYL. 1-6 ENGINE
CONTROL
MODULE (DME)

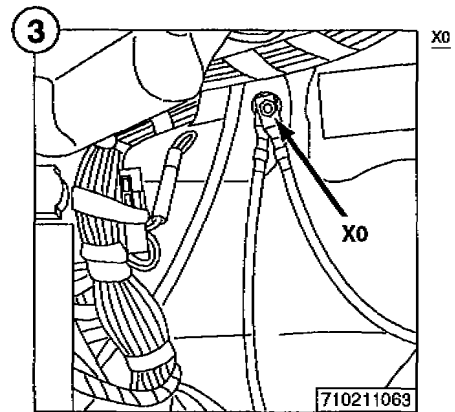
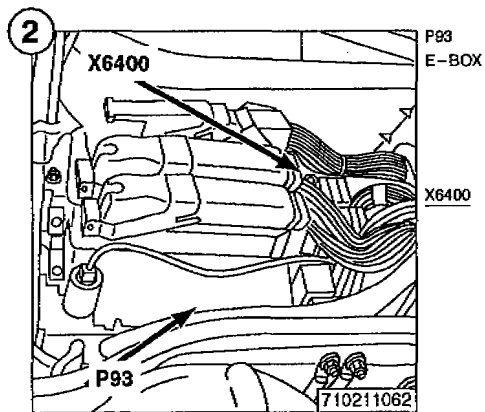
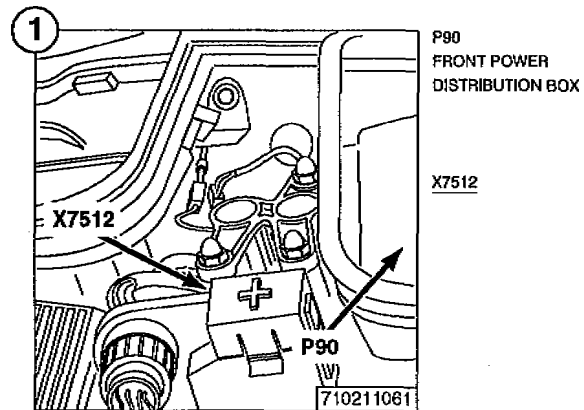
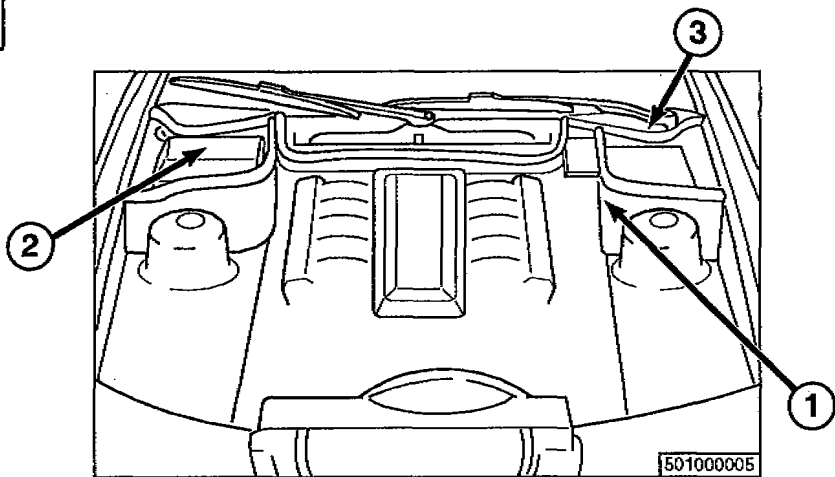
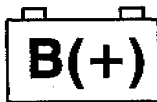
A8020
CYL. 7-12 ENGINE
CONTROL
MODULE (DME)



B414
AUTOMATIC AIR
RECIRCULATION
SENSOR

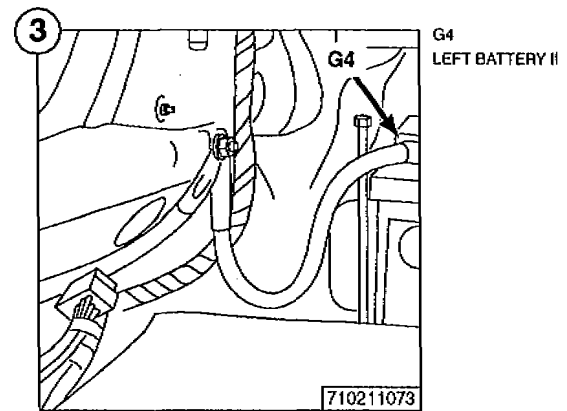
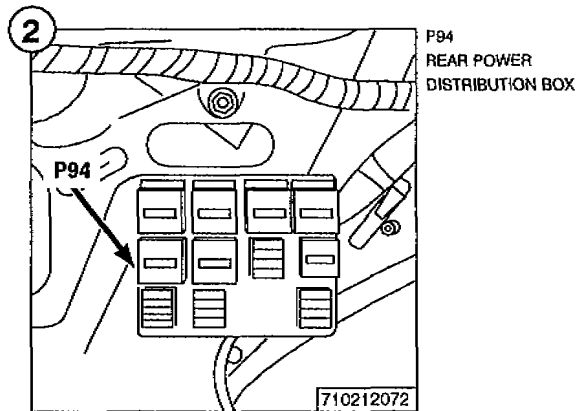
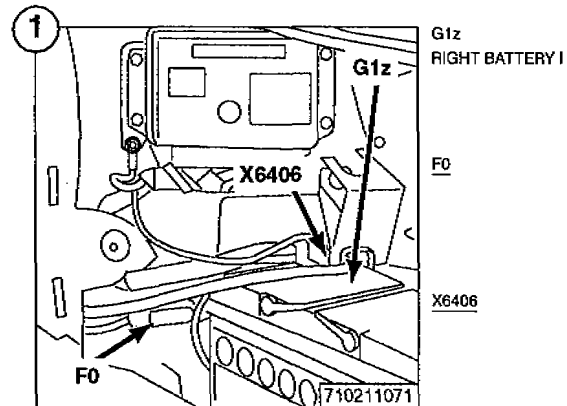
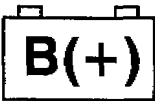


COMPONENT LOCATION VIEWS





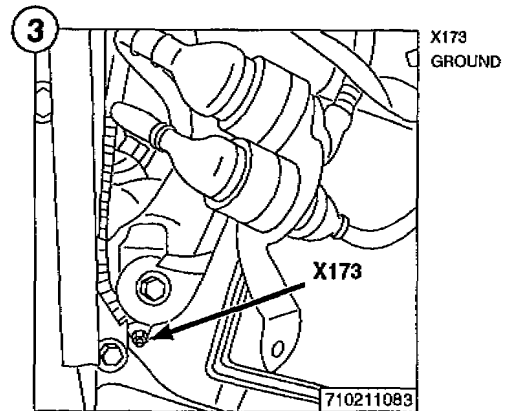
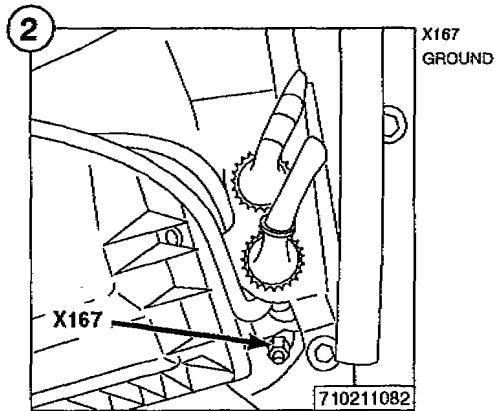
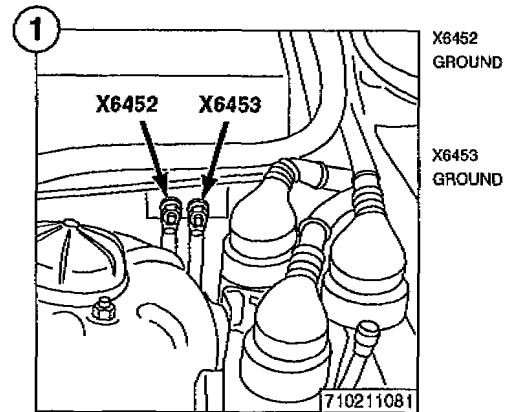
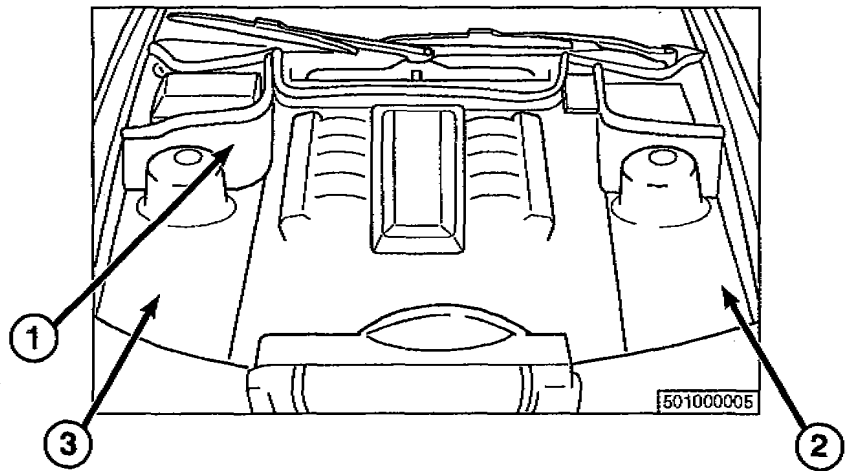
COMPONENT LOCATION VIEWS





COMPONENT LOCATION VIEWS

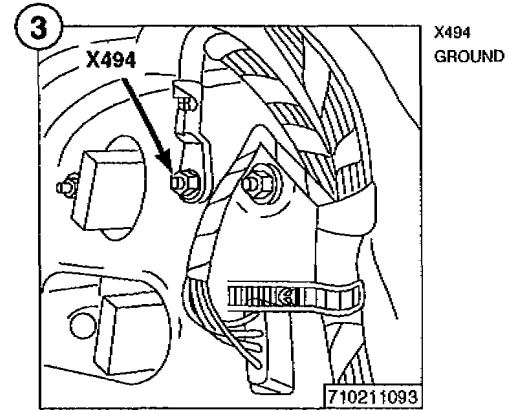
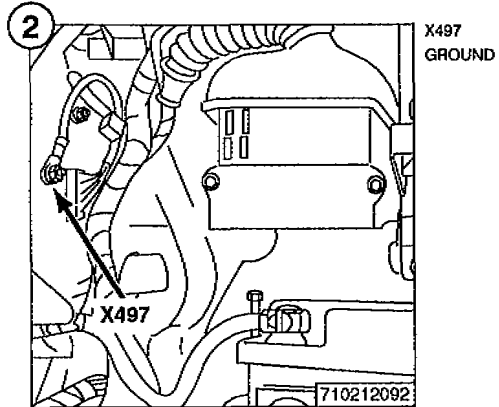
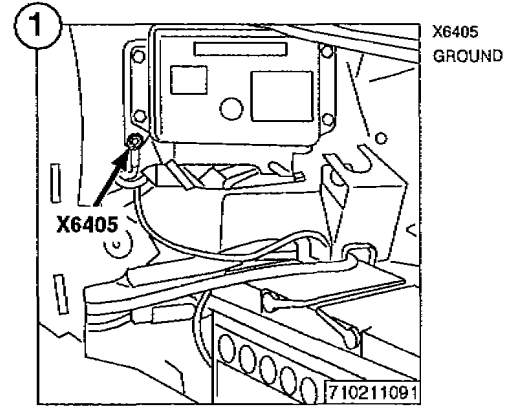
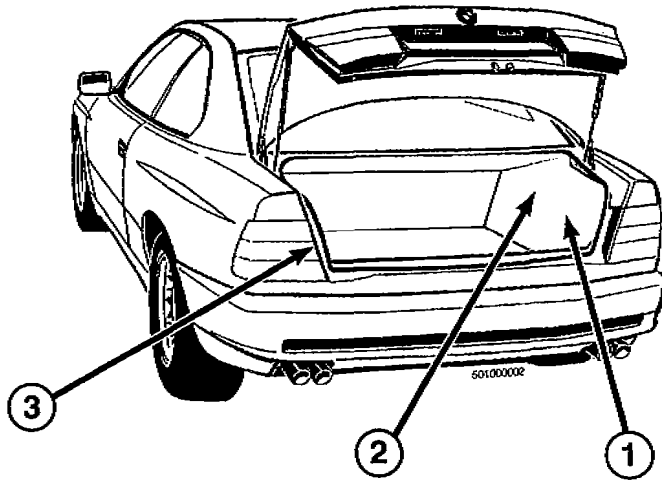
B(-)





COMPONENT LOCATION VIEWS

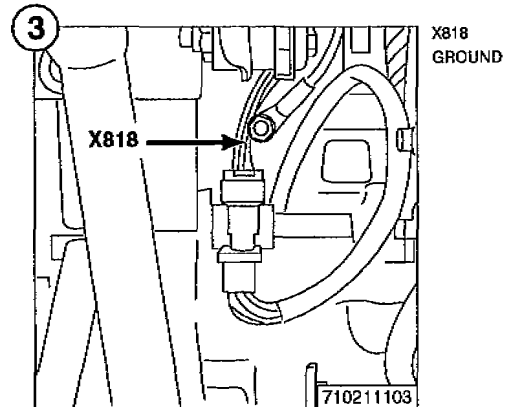
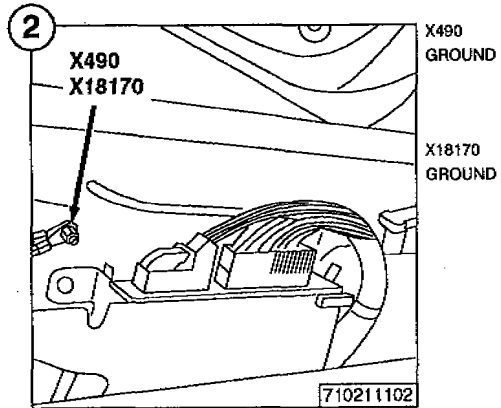
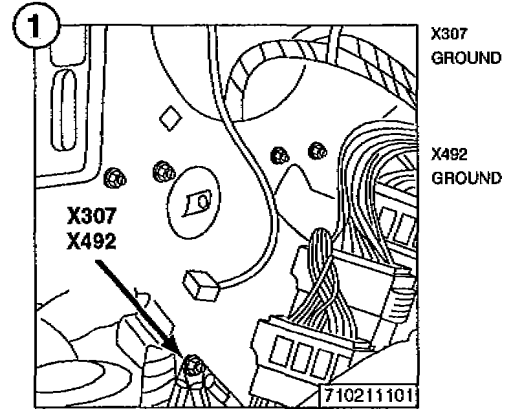
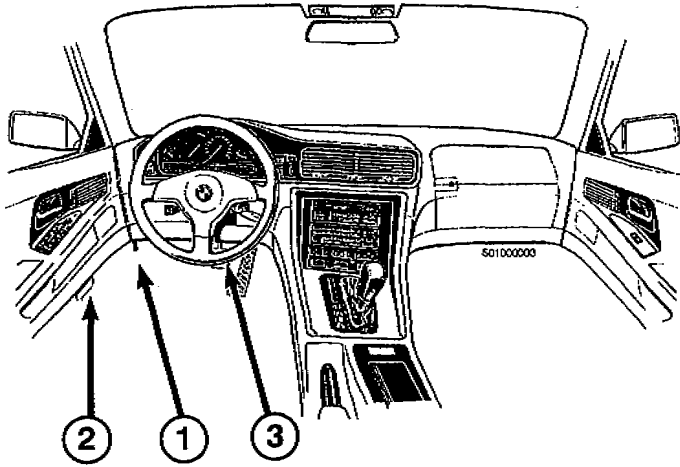
B(-)





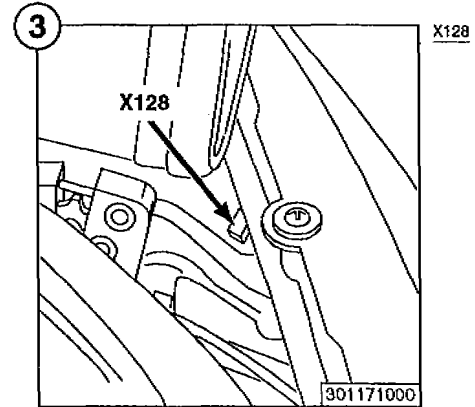
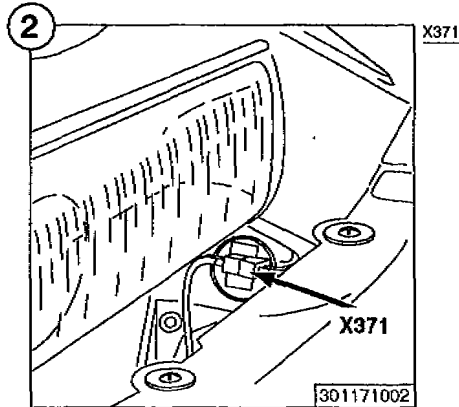
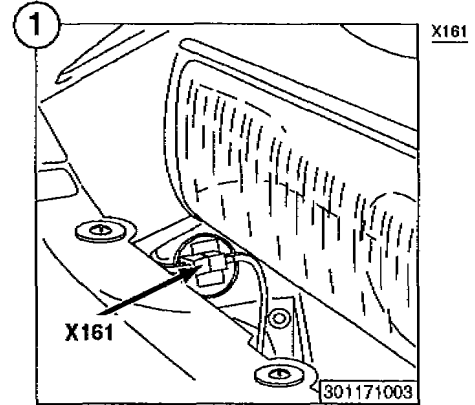
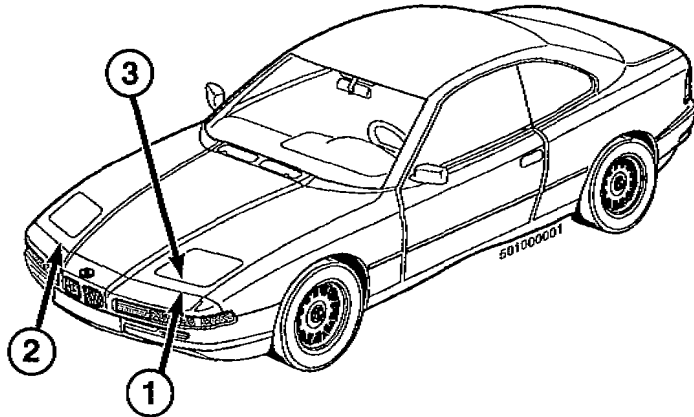
COMPONENT LOCATION VIEWS

B(-)



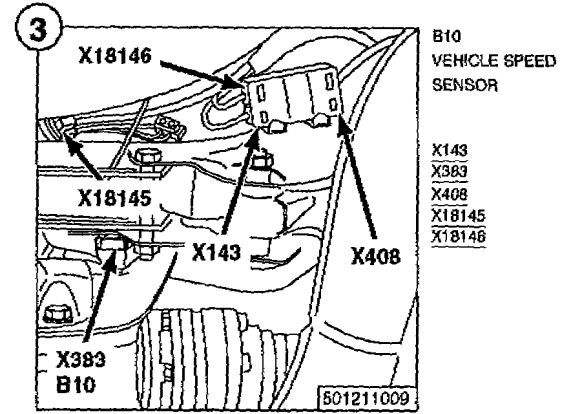
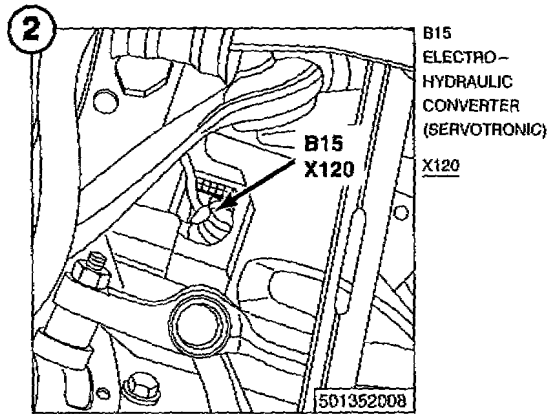
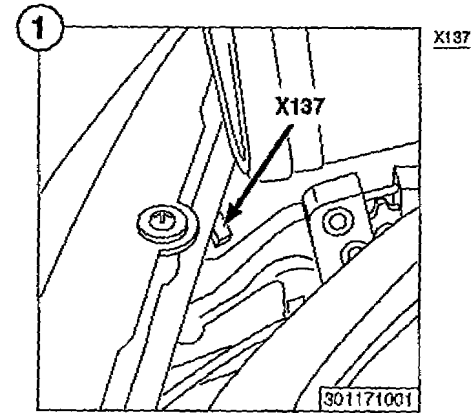
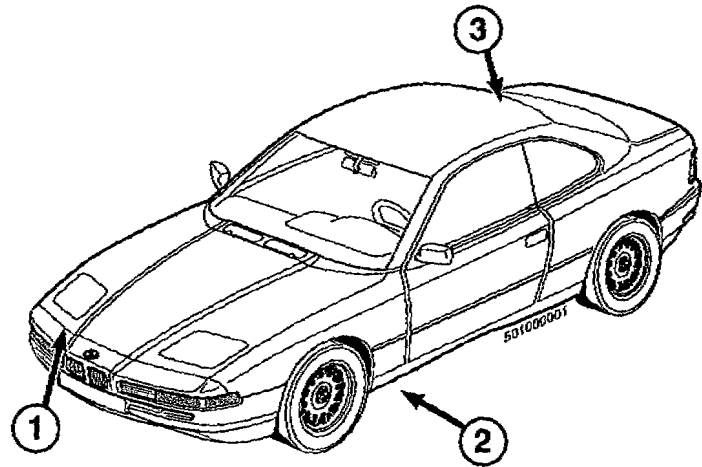


COMPONENT LOCATION VIEWS



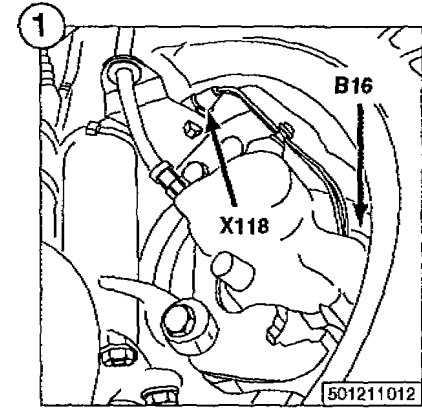
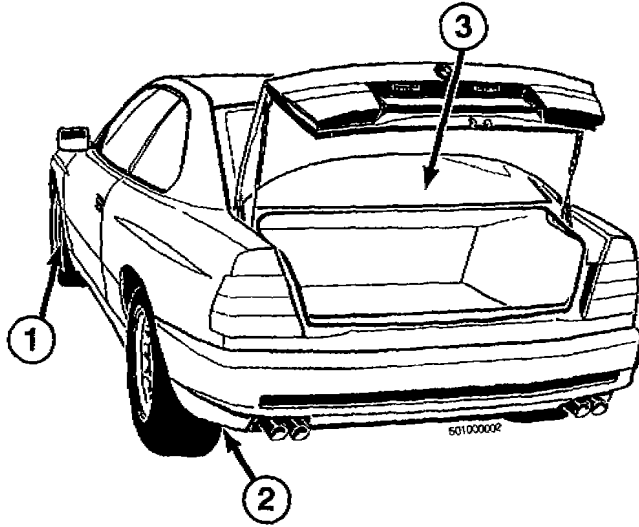


COMPONENT LOCATION VIEWS





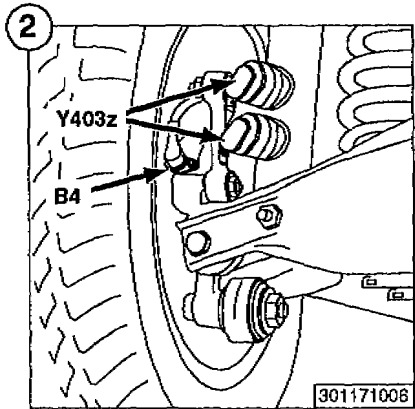
COMPONENT LOCATION VIEWS



B16
LEFT FRONT
BRAKE PAD
SENSOR

X118

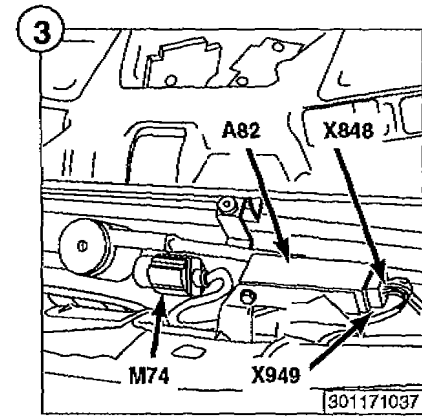
501211012



B4
LEFT REAR SPEED
SENSOR - ABS

Y403z
LEFT REAR EDC
VALVES

301171006



A82
SUN BLIND
CONTROL
MODULE

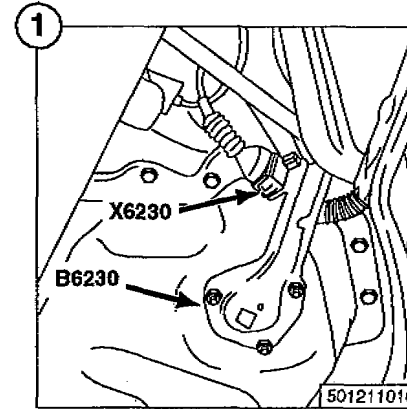
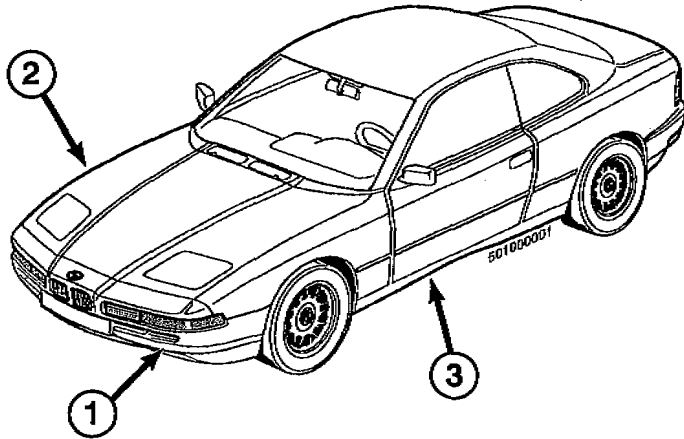
M74
SUN BLIND MOTOR

X848
X949

301171037

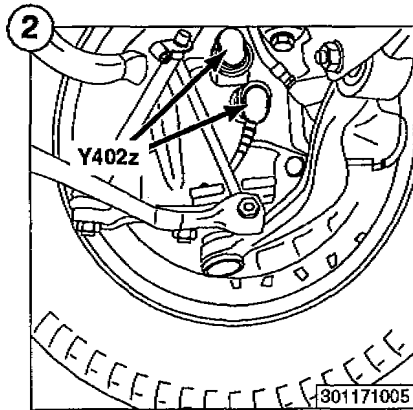


COMPONENT LOCATION VIEWS

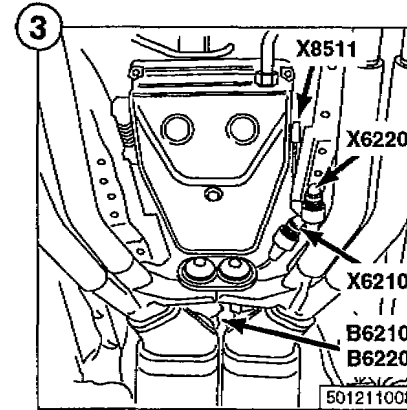


B6230
OIL LEVEL SENSOR

X6230



Y402z
RIGHT FRONT EDC
VALVES



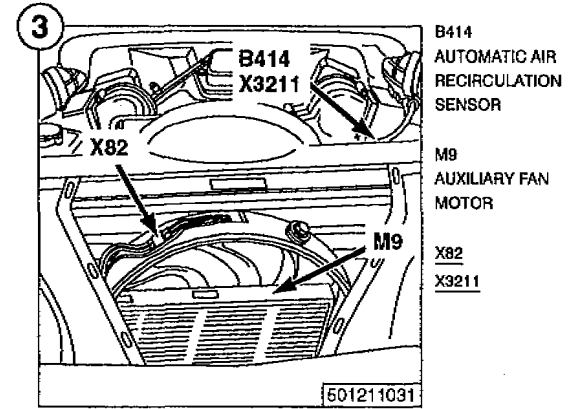
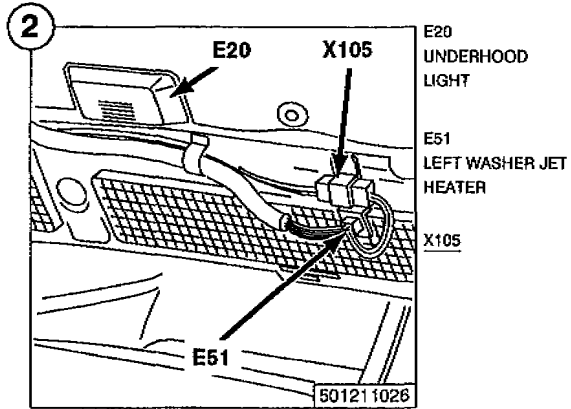
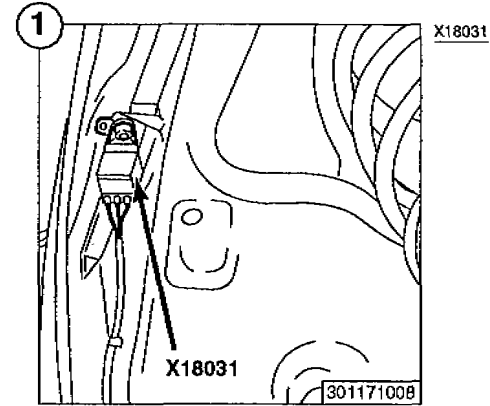
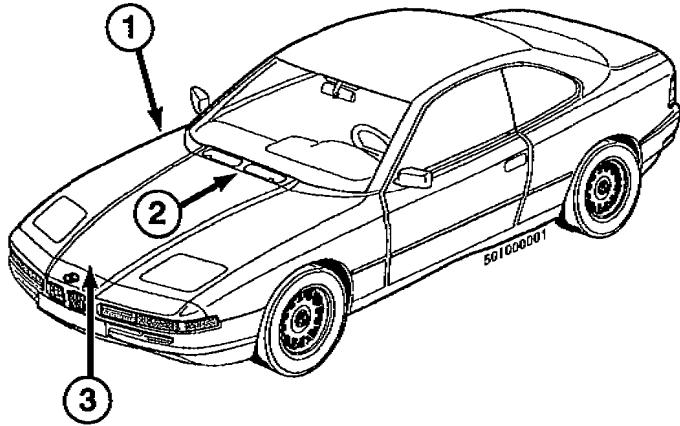
B6210
CYL. 1-6 HEATED
OXYGEN SENSOR

B6220
CYL. 7-12 HEATED
OXYGEN SENSOR

X6210
X6220
X8511

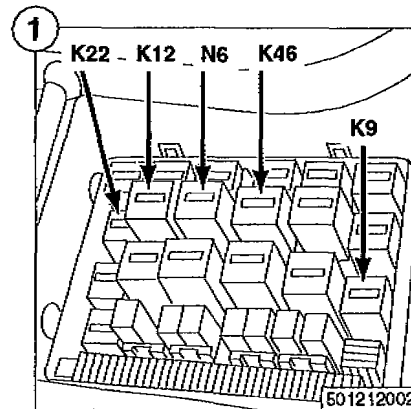
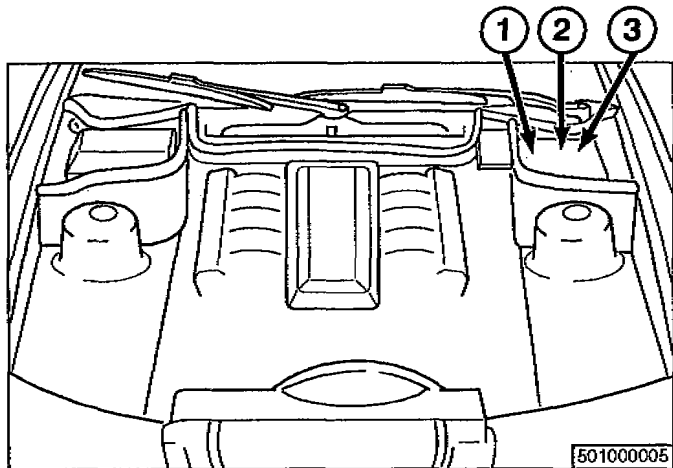


COMPONENT LOCATION VIEWS

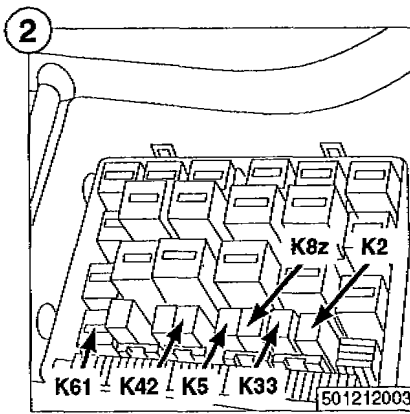




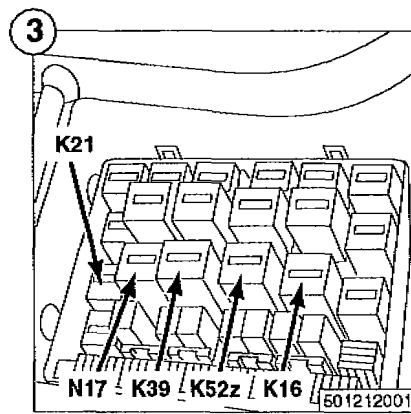
COMPONENT LOCATION VIEWS



- K9 UNLOADER RELAY, TERMINAL 15
- N6 HEADLIGHT/FOGLIGHT CLEANING MODULE (SRA)
- K12 WIPER PRESSURE CONTROL (ADV) RELAY
- K22 HIGH SPEED RELAY
- K46 HIGH BEAM LIGHT RELAY



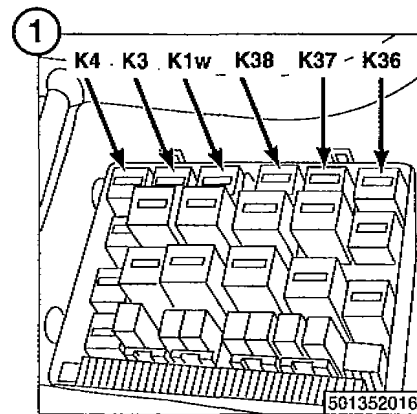
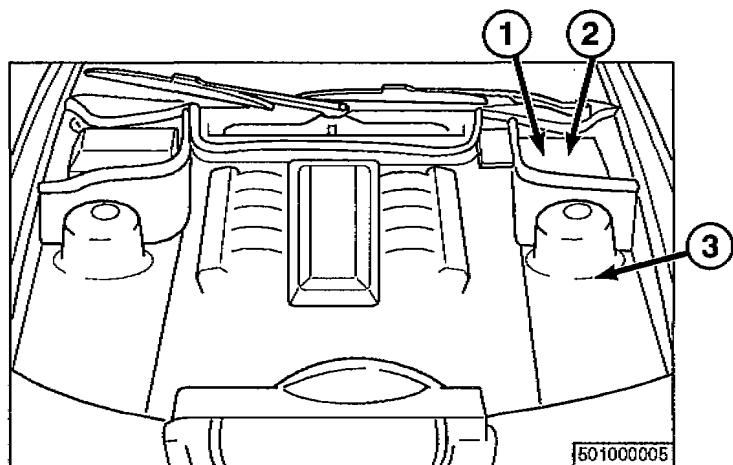
- K2 HORN RELAY
- K5 WASHER PUMP RELAY
- K8z AUXILIARY WATER PUMP RELAY
- K61 AIR CONDITIONING RELAY
- K42 INTENSIVE WASH RELAY
- K61 UNLOADER RELAY, TERMINAL 61



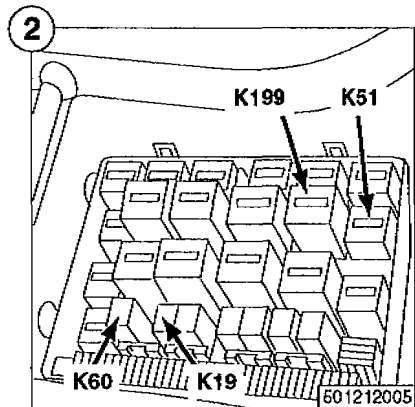
- K16 HAZARD FLASHER RELAY
- N17 CRASH CONTROL MODULE
- K21 NORMAL SPEED RELAY
- K39 CONCEALING HEADLIGHTS RELAY
- K52z FLASHER LIGHT RELAY



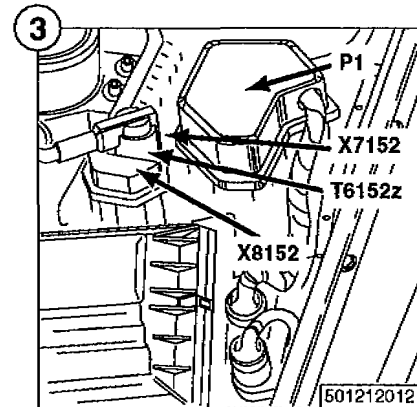
COMPONENT LOCATION VIEWS



- K1w STARTER IMMOBILIZATION RELAY
- K37 WIPER RELAY II
- K3 UNLOADER RELAY, TERMINAL R
- K38 WIPER RELAY III
- K4 BLOWER RELAY
- K36 WIPER RELAY I



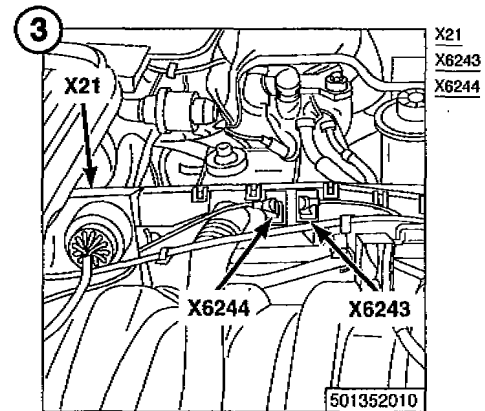
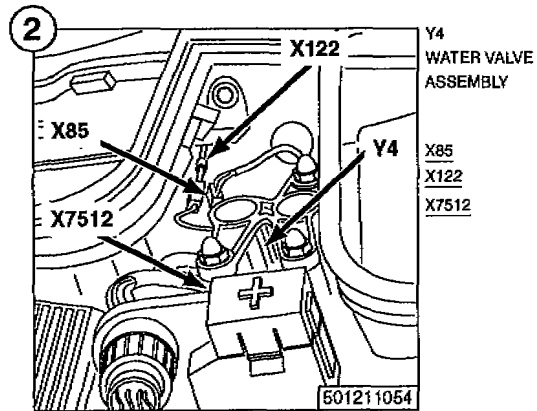
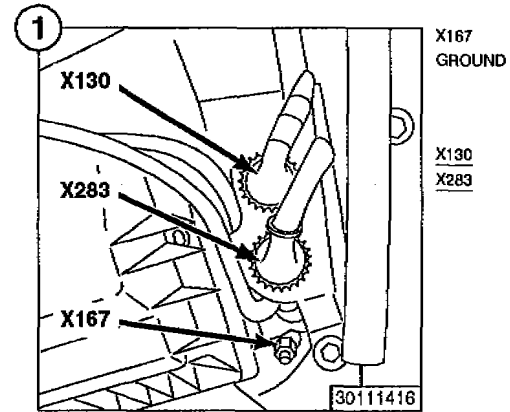
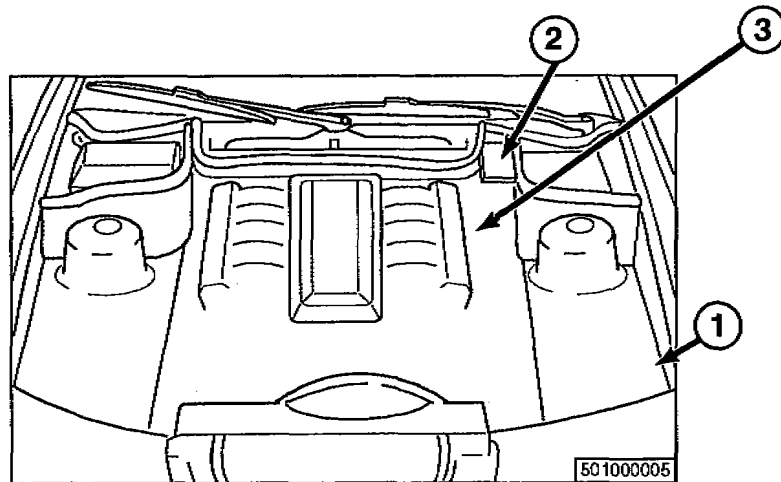
- K19 COMPRESSOR CONTROL RELAY
- K51 JUMPER PLUG FOR HORN/TELEPHONE
- K60 COMPRESSOR CUT-OFF RELAY
- K199 SERVOTRONIC RELAY



- P1 AUXILIARY RELAY BOX - ENGINE COMPARTMENT
- T6152z CYL. 7-12 IGNITION COIL
- X7152
- X8152

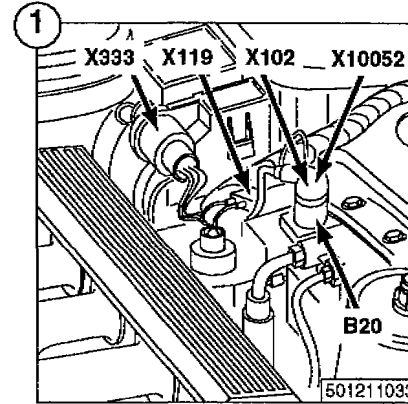
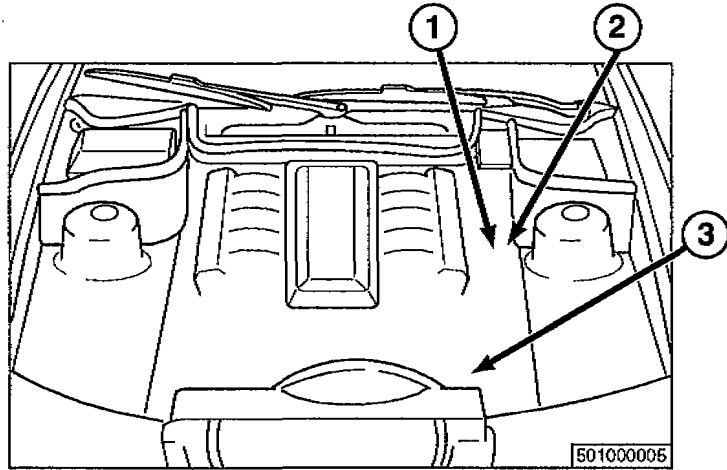


COMPONENT LOCATION VIEWS



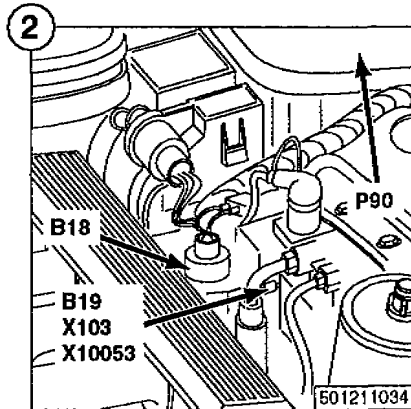


COMPONENT LOCATION VIEWS



B20
BRAKE PRESSURE
SWITCH

X102
X119
X333
X10052

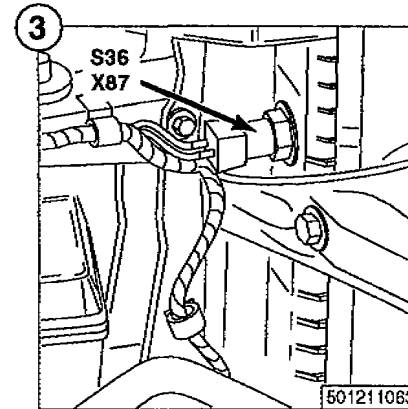


B18
BRAKE FLUID
LEVEL SWITCH

B19
BRAKE PRESSURE
REGULATING
SWITCH

P90
FRONT POWER
DISTRIBUTION BOX

X103
X10053

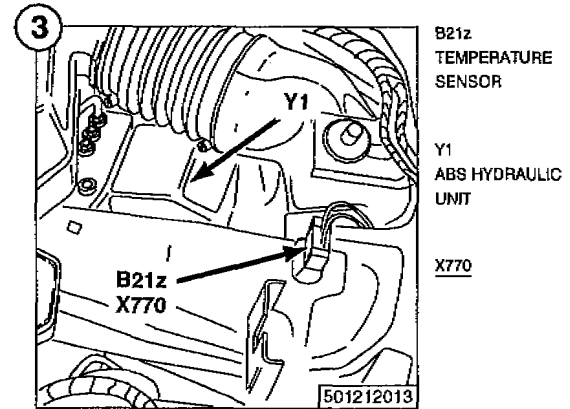
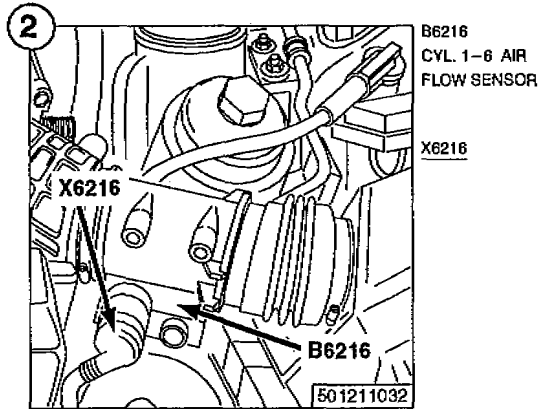
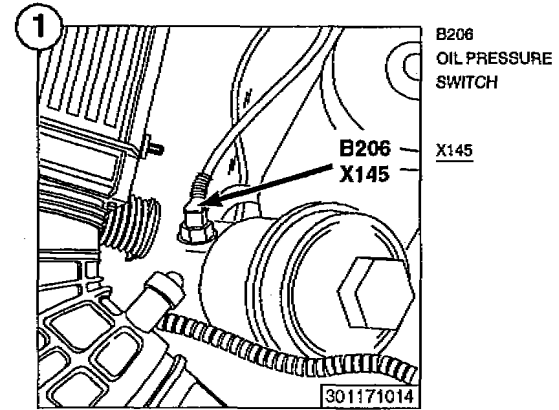
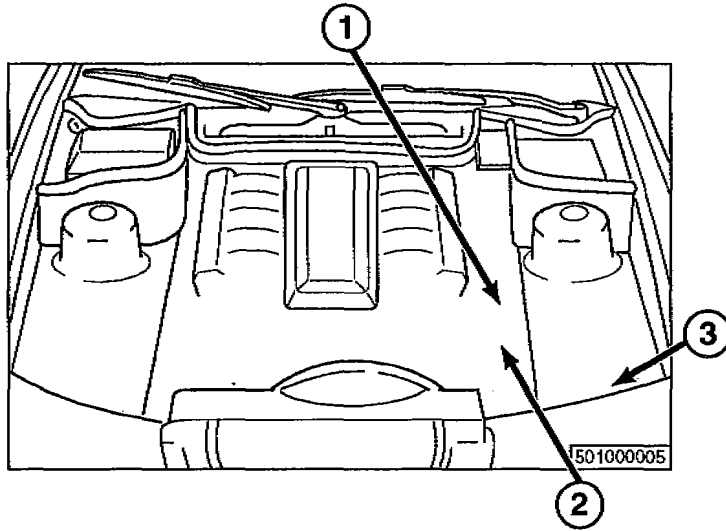


S36
TEMPERATURE
SWITCH

X87

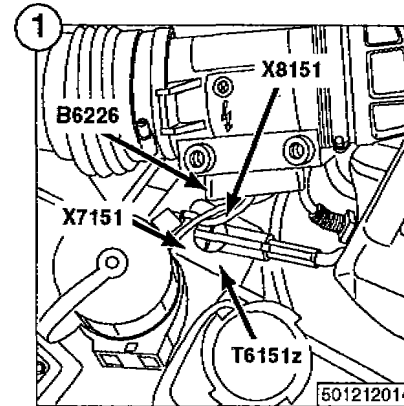
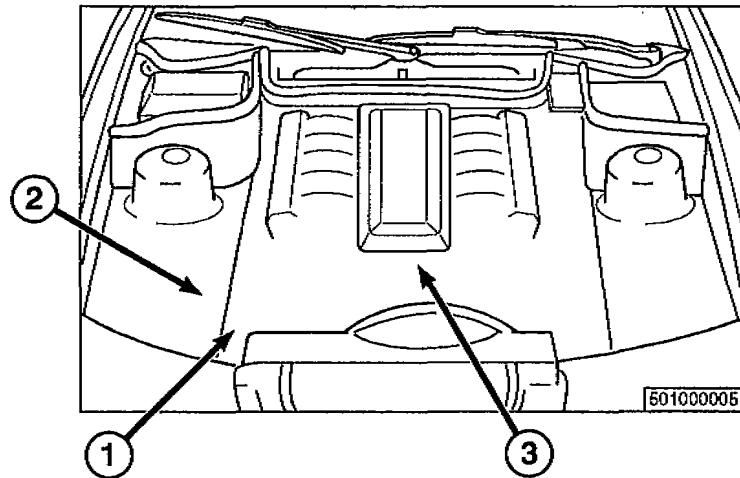


COMPONENT LOCATION VIEWS





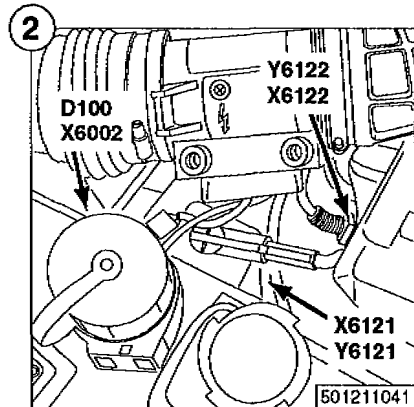
COMPONENT LOCATION VIEWS



B6226
CYL. 7-12 AIR
FLOW SENSOR

T6151z
CYL. 1-6 IGNITION
COIL

X7151
X8151

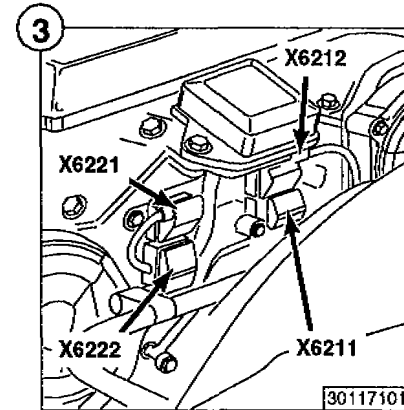


D100
DATA LINK
CONNECTOR

Y6121
CYL. 1-6 EVAP-
ORATIVE EMISSION
VALVE

Y6122
CYL. 7-12 EVAP-
ORATIVE EMISSION
VALVE

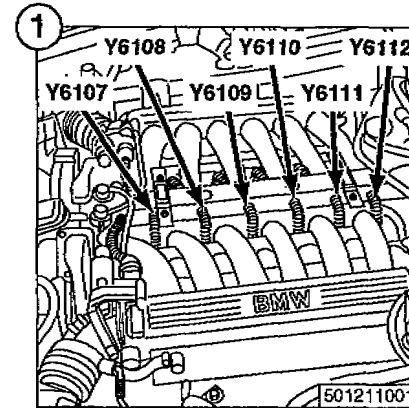
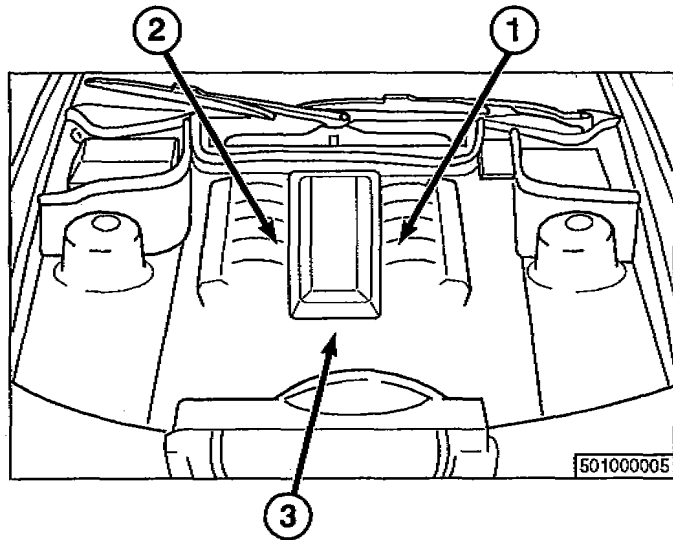
X6002
X8121
X8122



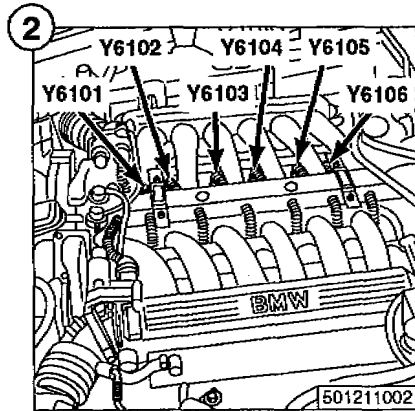
X6211
X6212
X6221
X6222



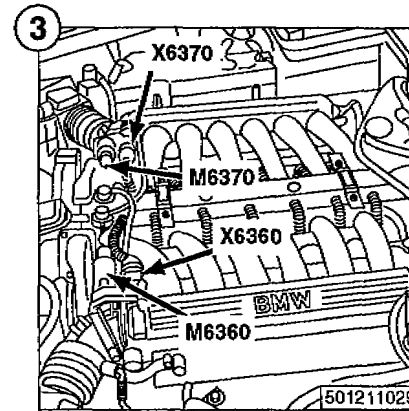
COMPONENT LOCATION VIEWS



- | | |
|---|--|
| Y6107
CYL. 7 FUEL
INJECTION VALVE | Y6110
CYL. 10 FUEL
INJECTION VALVE |
| Y6108
CYL. 8 FUEL
INJECTION VALVE | Y6111
CYL. 11 FUEL
INJECTION VALVE |
| Y6109
CYL. 9 FUEL
INJECTION VALVE | Y6112
CYL. 12 FUEL
INJECTION VALVE |



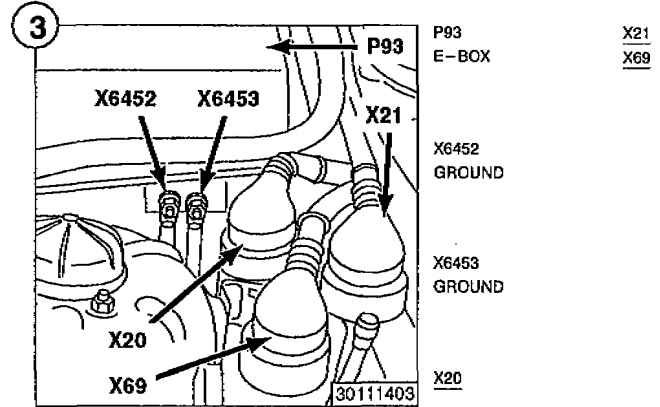
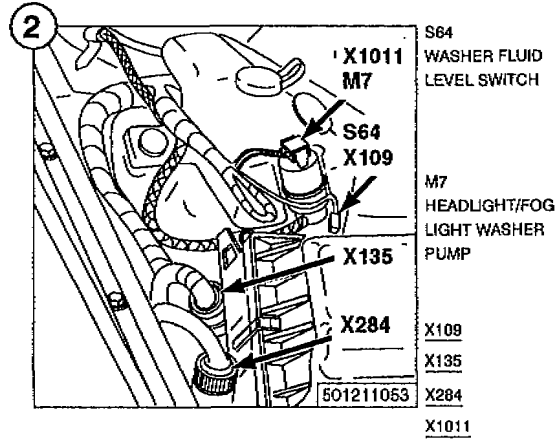
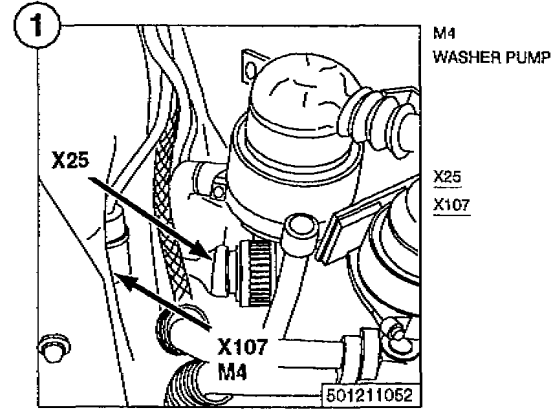
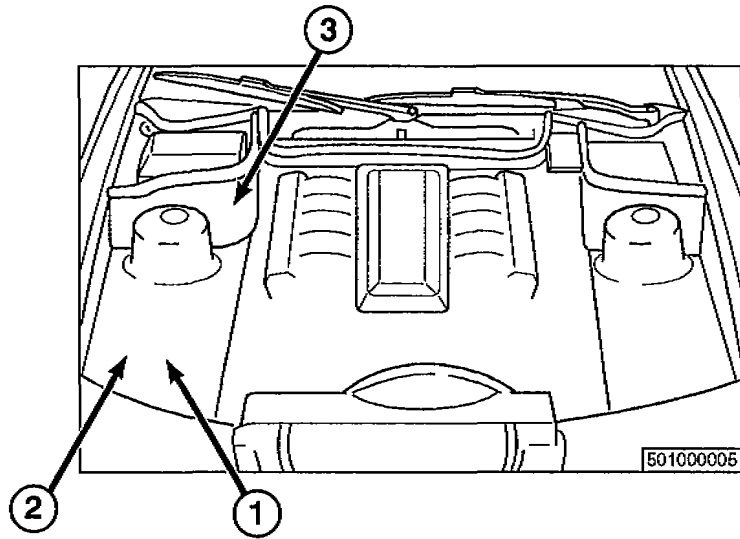
- | | |
|---|---|
| Y6101
CYL. 1 FUEL
INJECTION VALVE | Y6104
CYL. 4 FUEL
INJECTION VALVE |
| Y6102
CYL. 2 FUEL
INJECTION VALVE | Y6105
CYL. 5 FUEL
INJECTION VALVE |
| Y6103
CYL. 3 FUEL
INJECTION VALVE | Y6106
CYL. 6 FUEL
INJECTION VALVE |



- | |
|-----------------------------------|
| M6360
EML ACTUATOR
MOTOR I |
| M6370
EML ACTUATOR
MOTOR II |
| X6360 |
| X6370 |

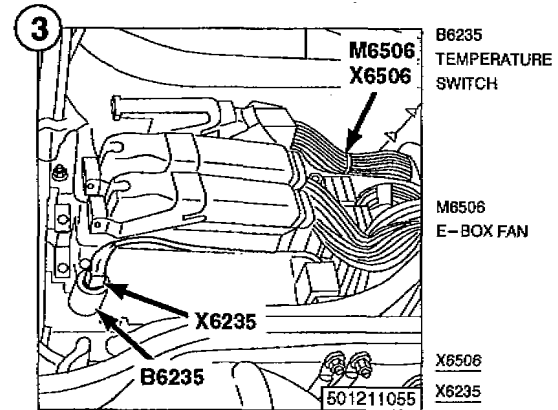
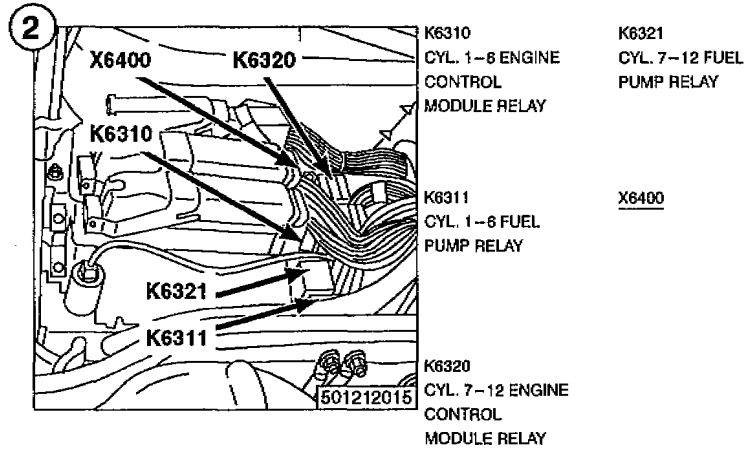
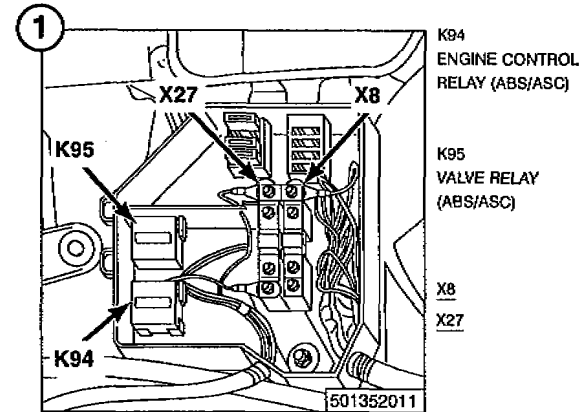
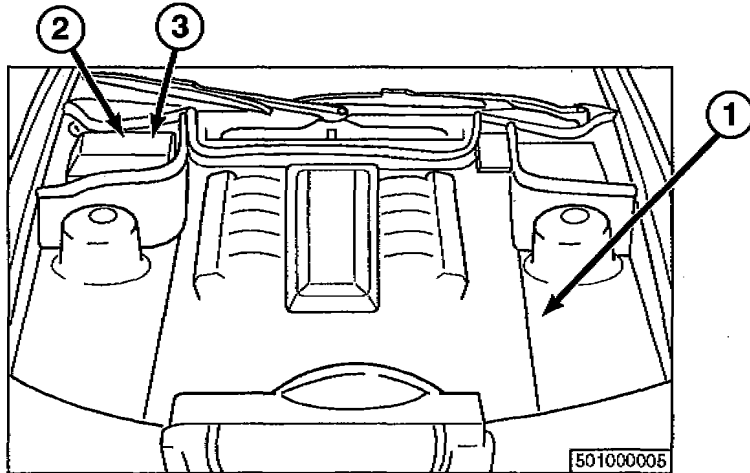


COMPONENT LOCATION VIEWS



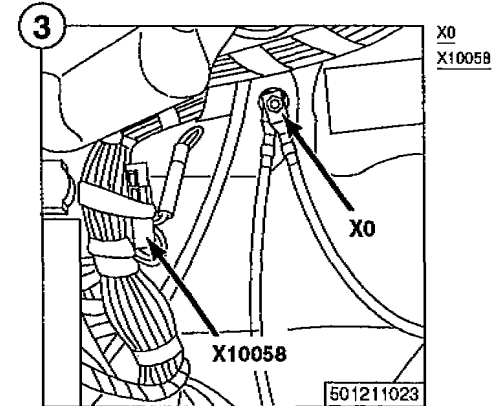
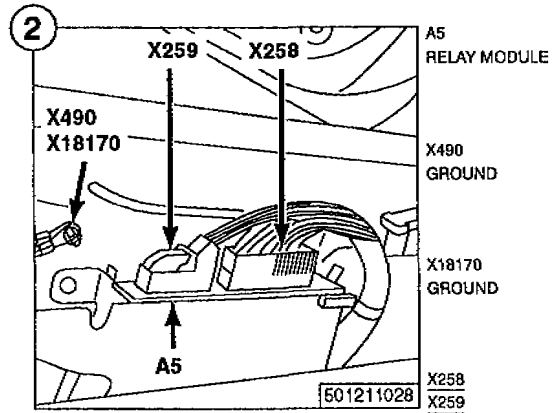
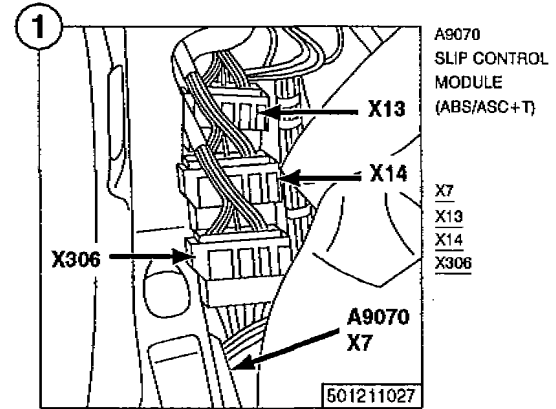
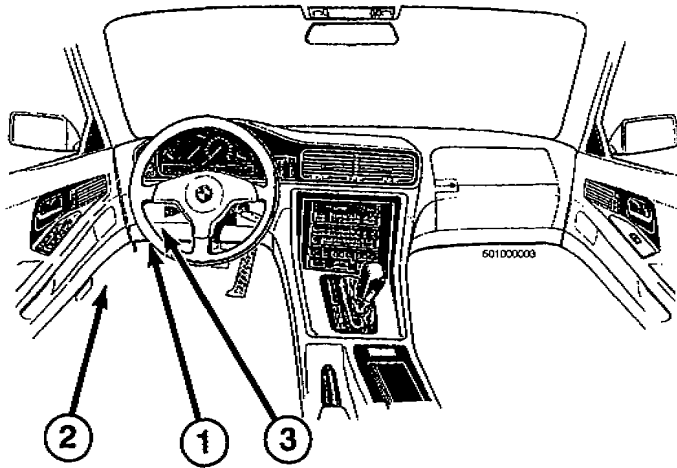


COMPONENT LOCATION VIEWS



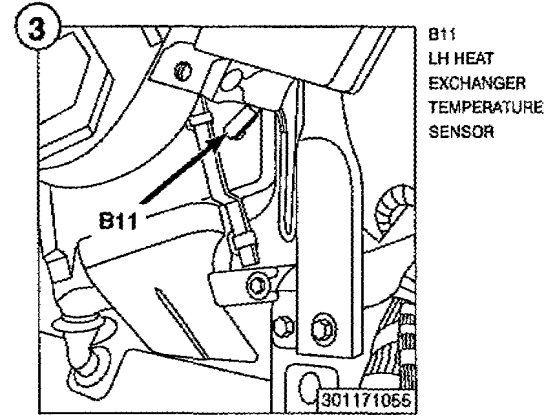
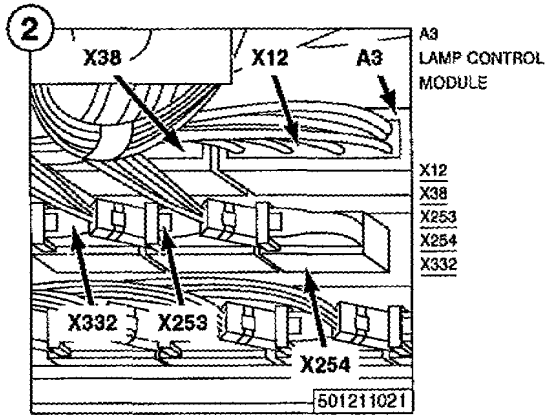
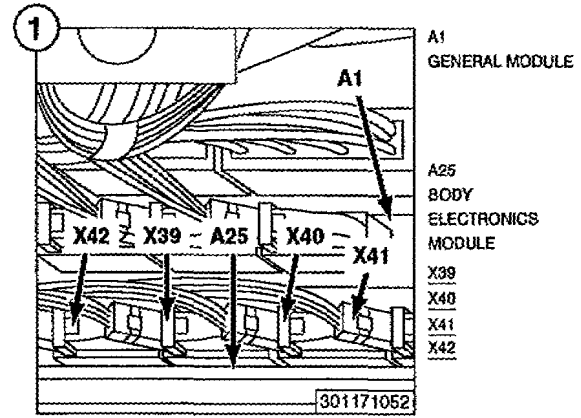
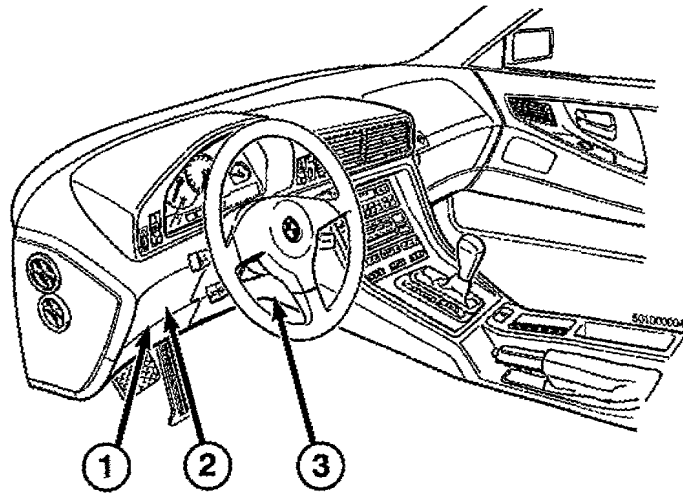


COMPONENT LOCATION VIEWS



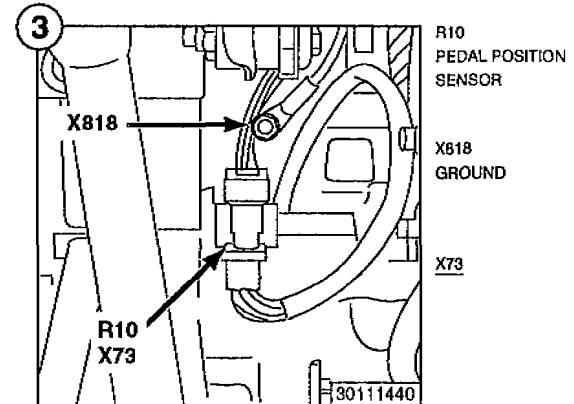
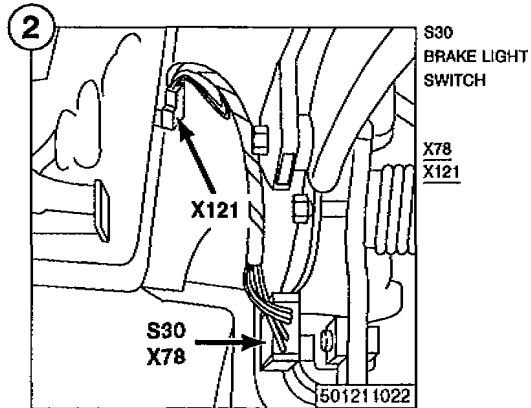
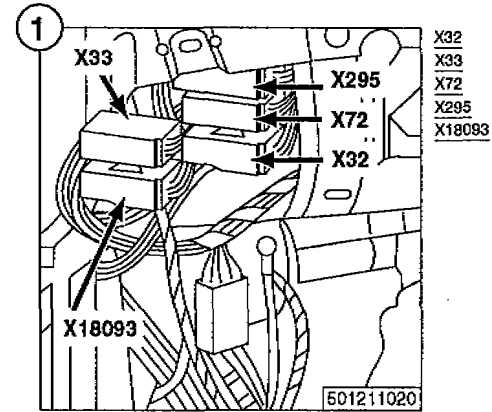
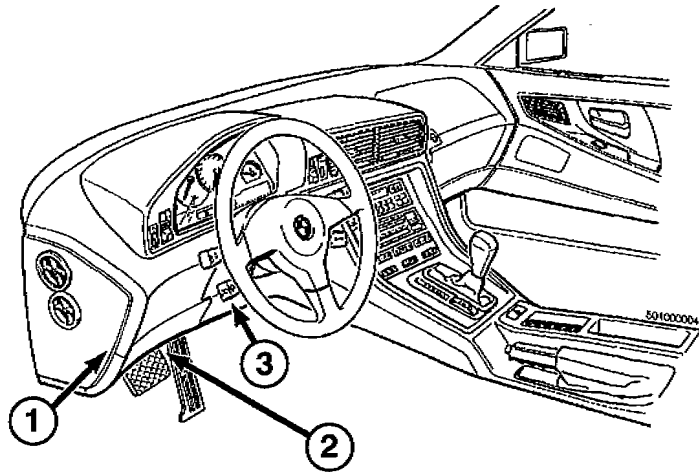


COMPONENT LOCATION VIEWS



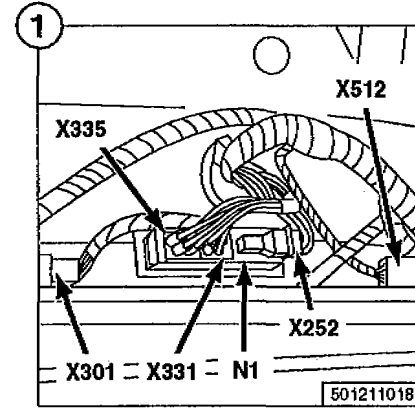
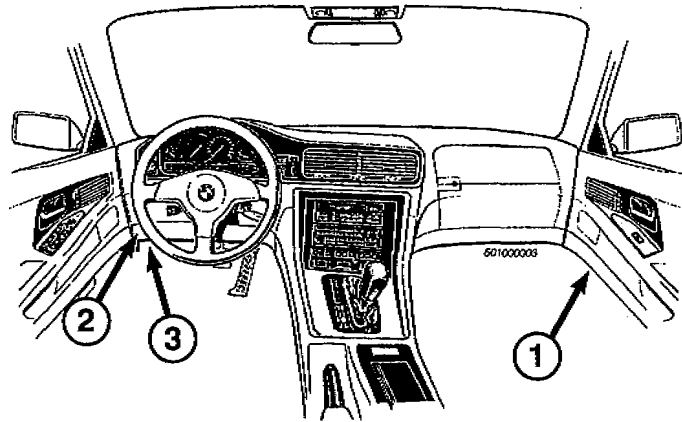


COMPONENT LOCATION VIEWS



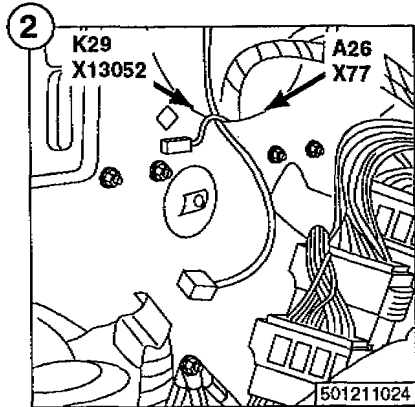


COMPONENT LOCATION VIEWS



N1
ANTI-THEFT
CONTROL
MODULE (DWA)

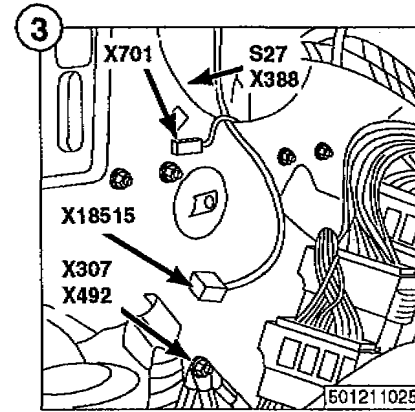
X252
X301
X331
X335
X512



A26
LOCK-SENSOR
CONTROL
MODULE

K29
INTERIOR LIGHT
RELAY

X77
X13052



S27
INERTIA SWITCH

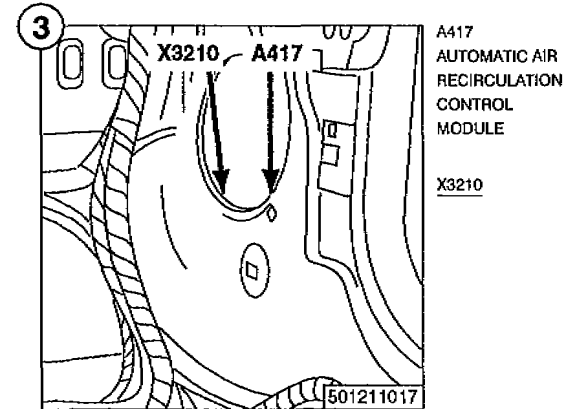
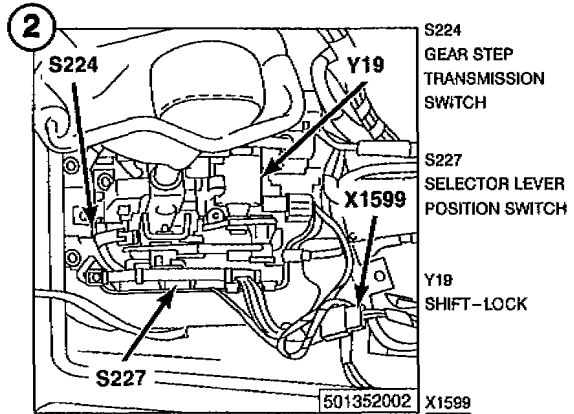
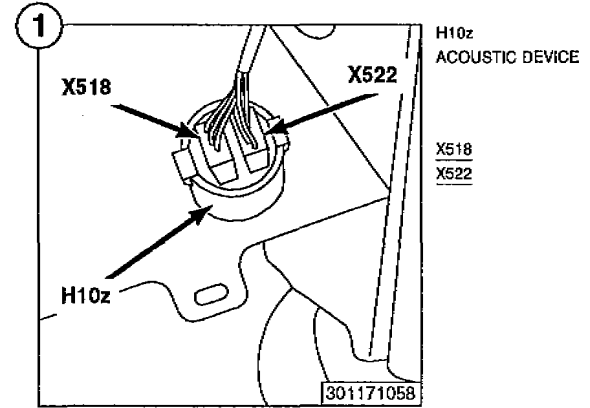
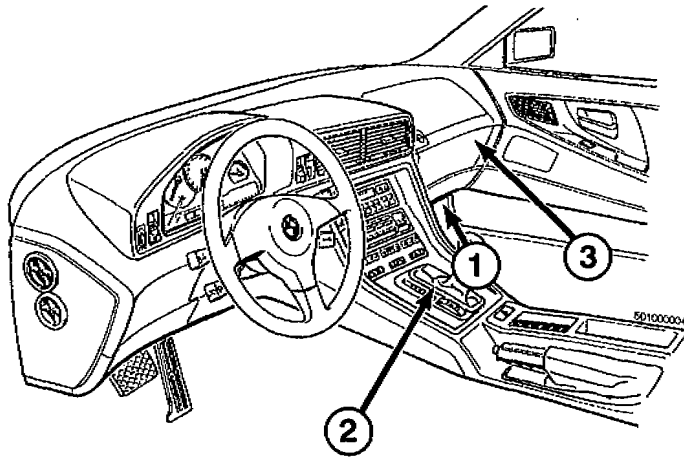
X307
GROUND

X492
GROUND

X388
X701
X18515

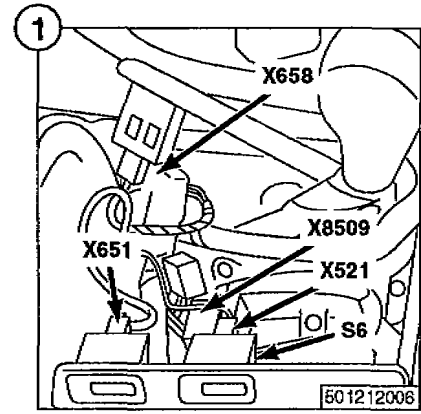
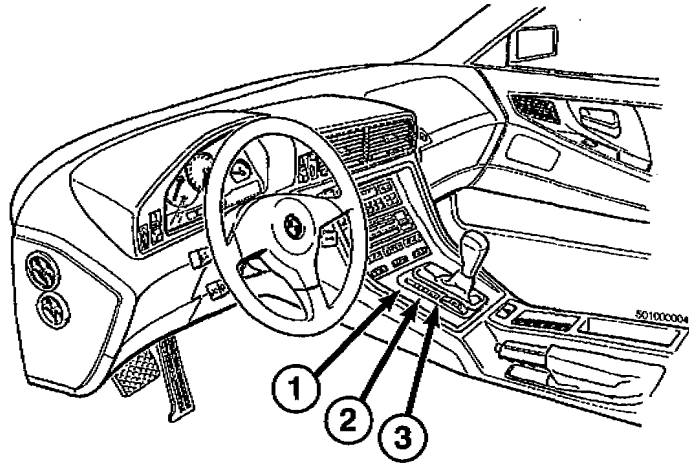


COMPONENT LOCATION VIEWS

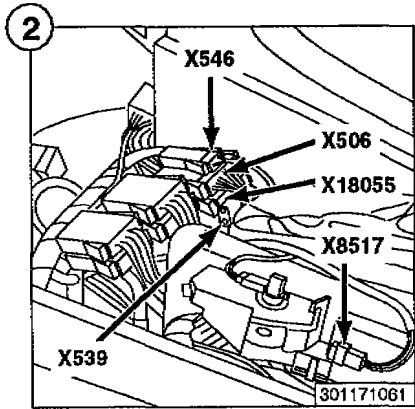




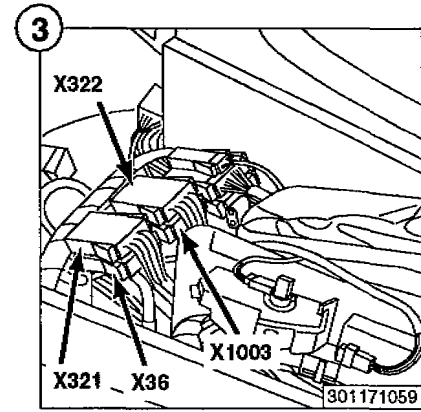
COMPONENT LOCATION VIEWS



- S6
ASC SWITCH
- X521
- X651
- X658
- X8509



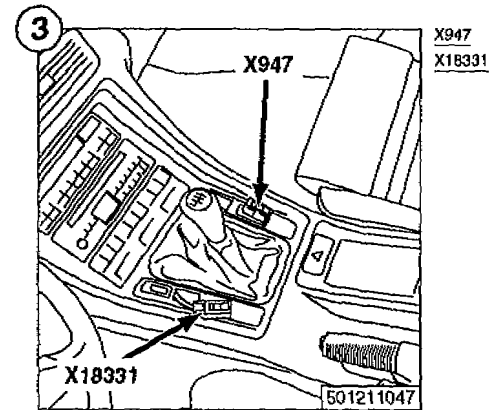
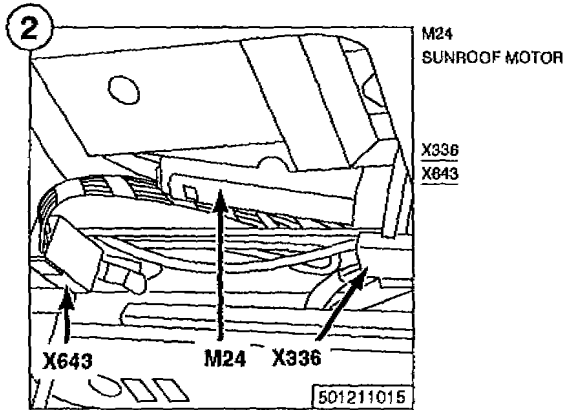
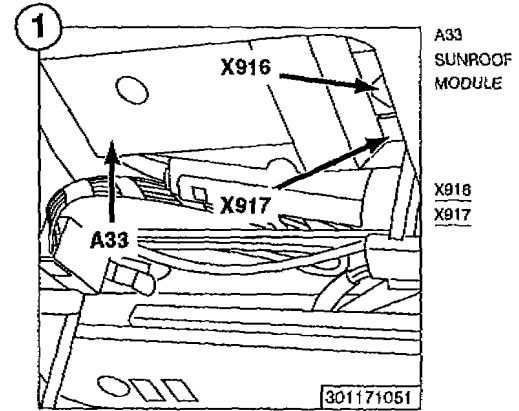
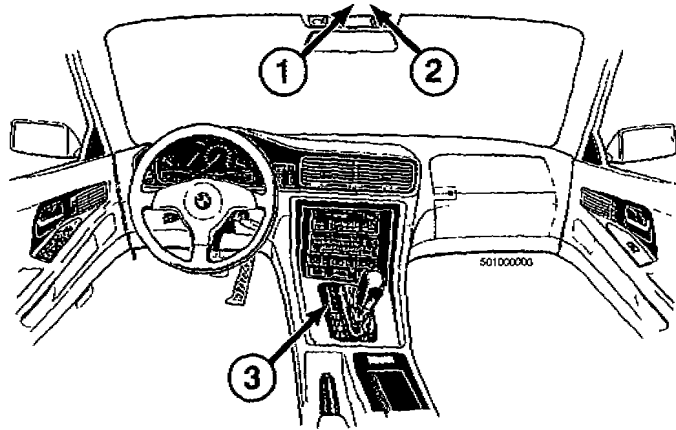
- X506
- X539
- X546
- X8517
- X18055



- X36
- X321
- X322
- X1003

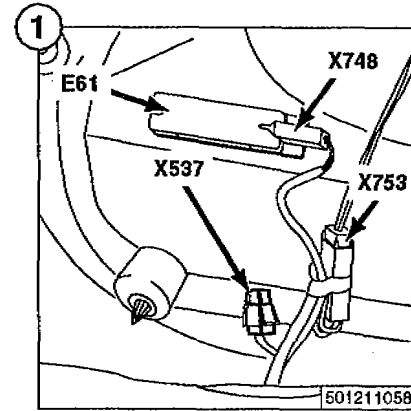
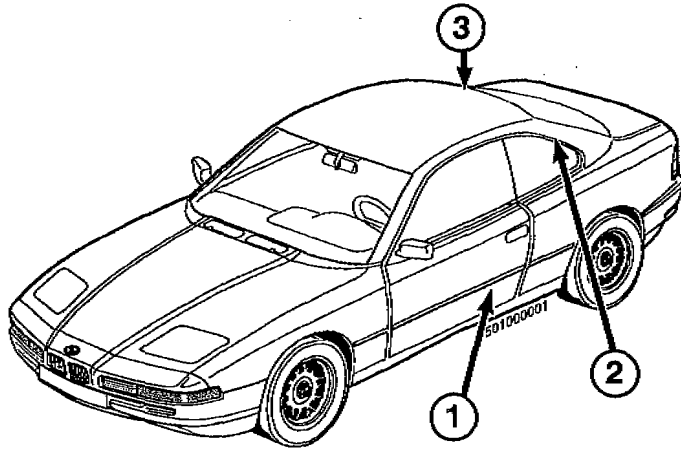


COMPONENT LOCATION VIEWS



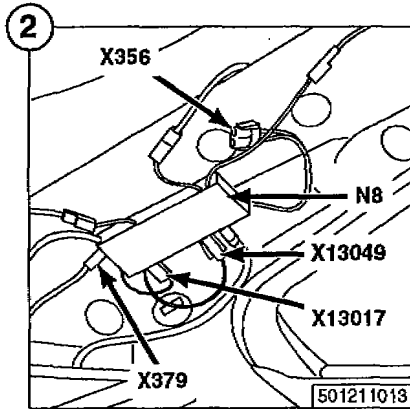


COMPONENT LOCATION VIEWS



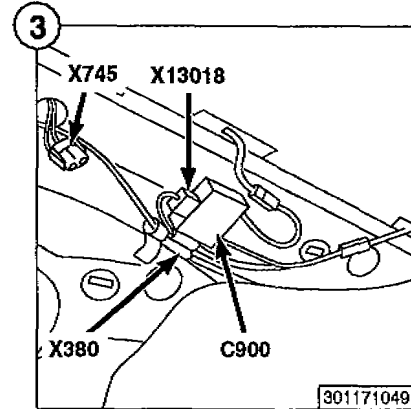
E61
LEFT FRONT
FOOTWELL LIGHT

X537
X748
X753



N8
ANTENNA
AMPLIFIER AM/FM

X356
X379
X13017
X13049

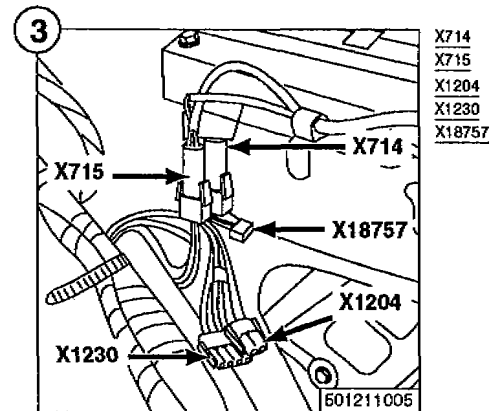
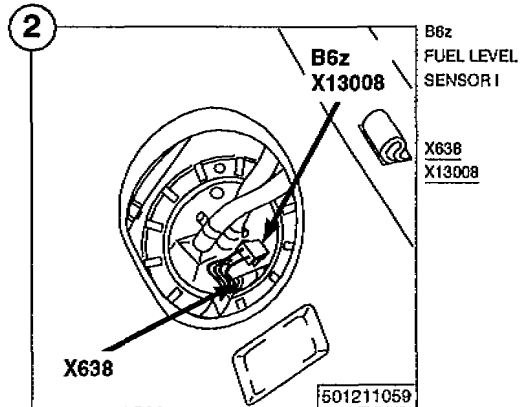
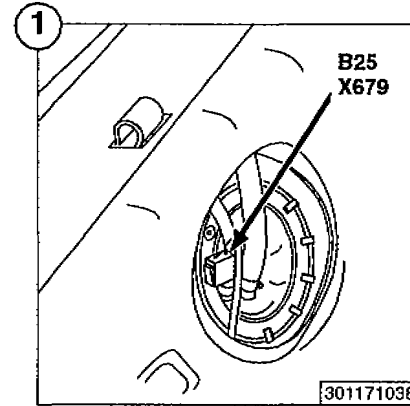
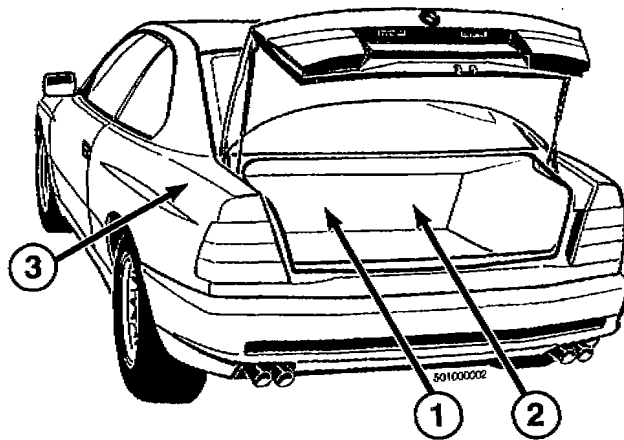


C900
SUPPRESSION
FILTER

X380
X745
X13018

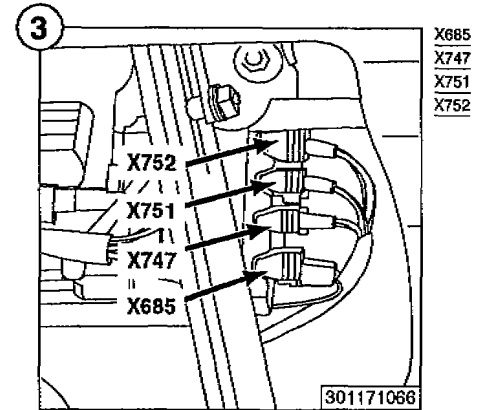
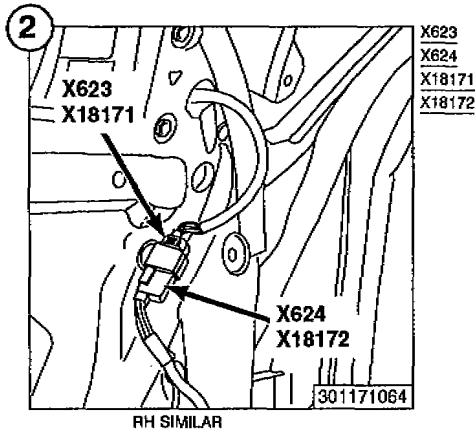
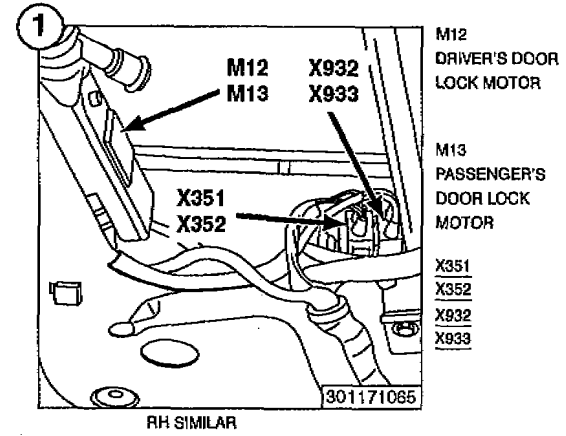
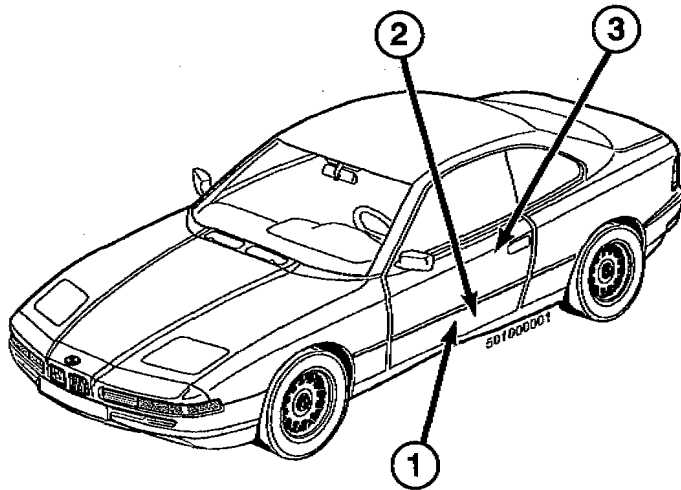


COMPONENT LOCATION VIEWS



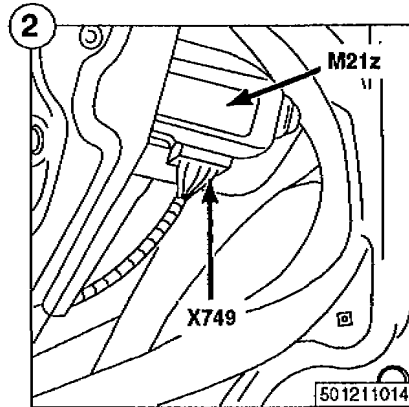
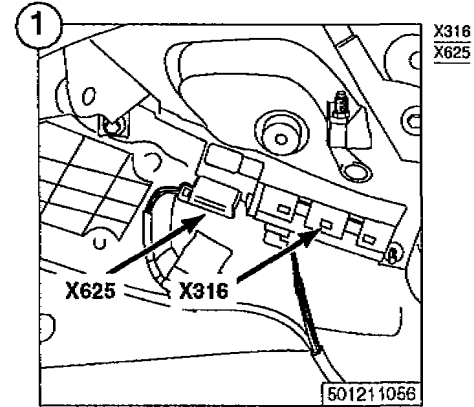
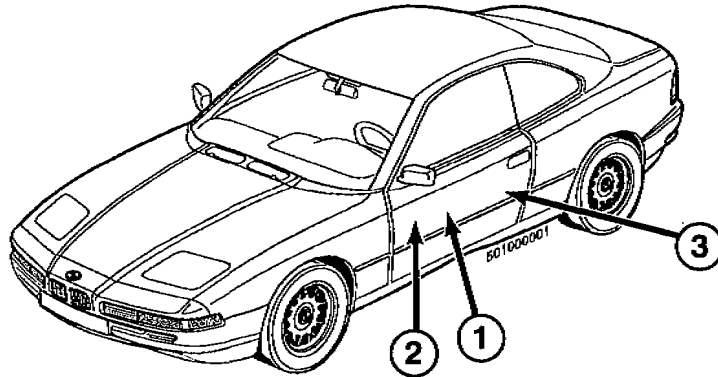


COMPONENT LOCATION VIEWS



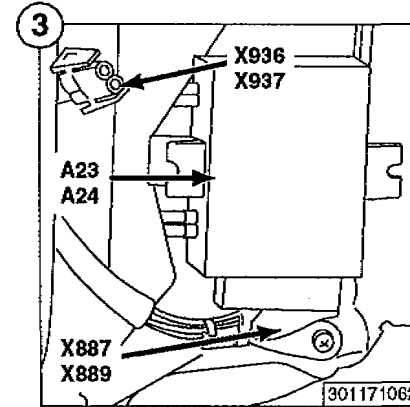


COMPONENT LOCATION VIEWS



M21z
DRIVER'S POWER
WINDOW MOTOR/
INCREMENT
SENSOR

X749

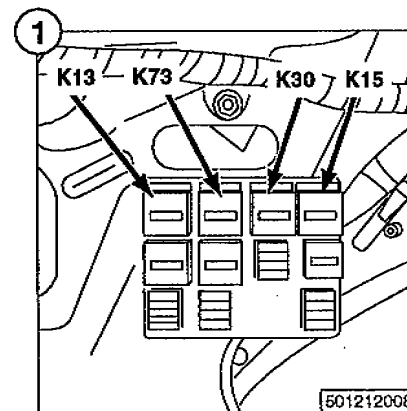
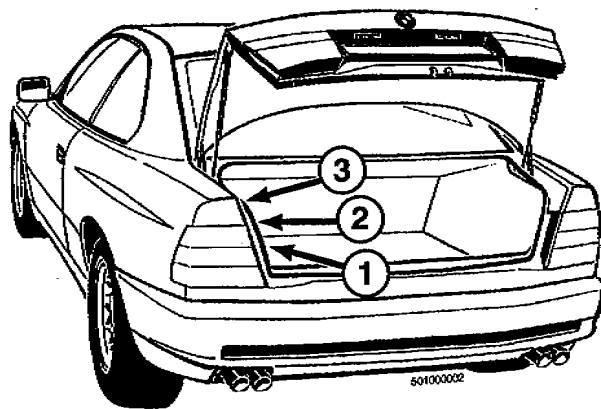


A23
DRIVER'S DOOR
MODULE

A24
PASSENGER'S
DOOR MODULE

X887
X889
X936
X937

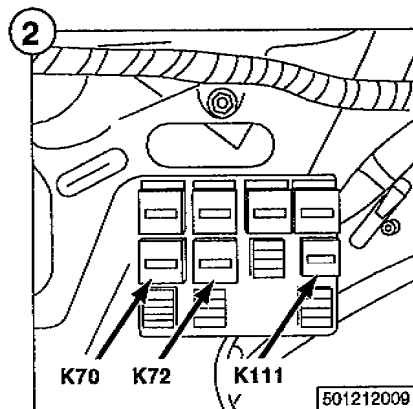
RH SIMILAR



K13 REAR DEFOGGER RELAY
K73 CONSUMER CUT-OFF RELAY I

K15 ELECTRIC POWER PROTECTION RELAY

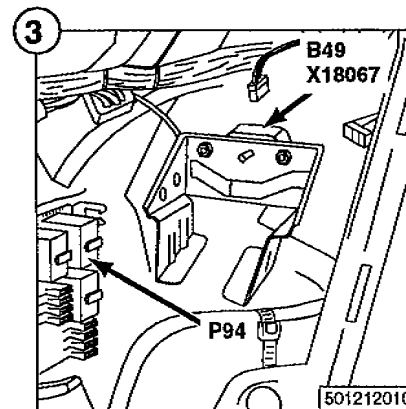
K30 ELECTRIC POWER PROTECTION RELAY II



K70 CENTRAL LOCKING TRUNK LID MOTOR RELAY (ZV)

K72 CONSUMER CUT-OFF RELAY I

K111 DAYTIME RUNNING LIGHTS RELAY



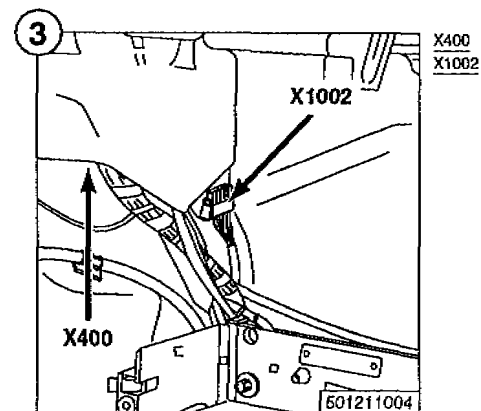
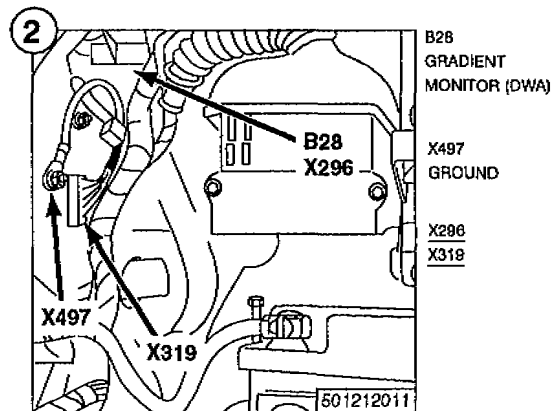
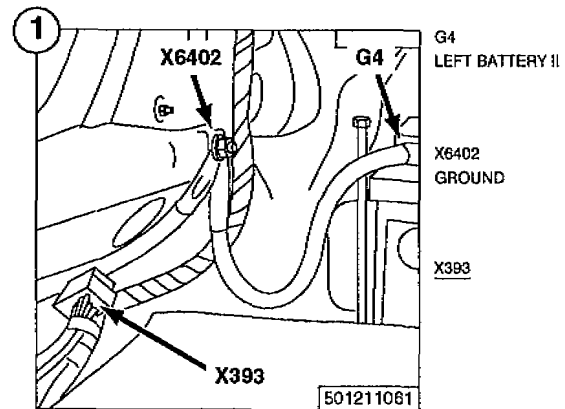
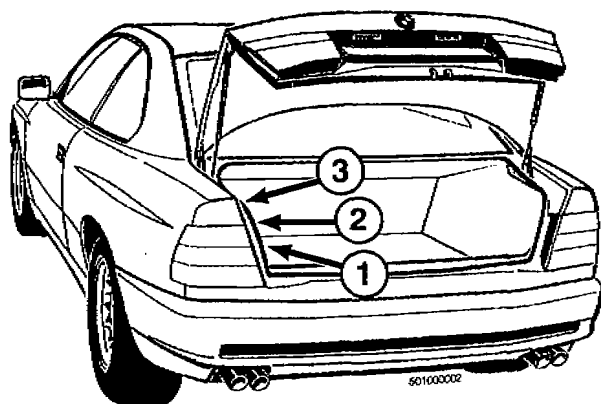
B49 LONGITUDINAL ACCELERATION SENSOR

P94 REAR POWER DISTRIBUTION BOX

X18067

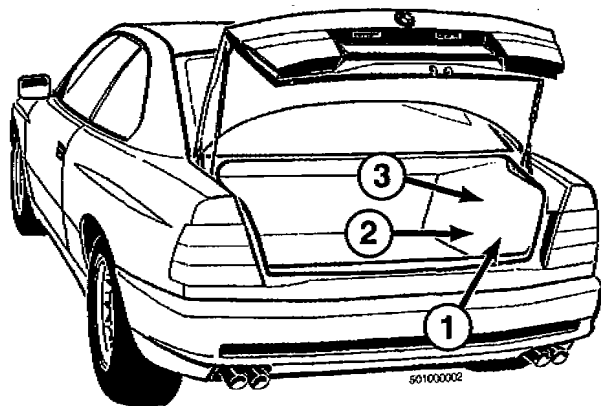


COMPONENT LOCATION VIEWS

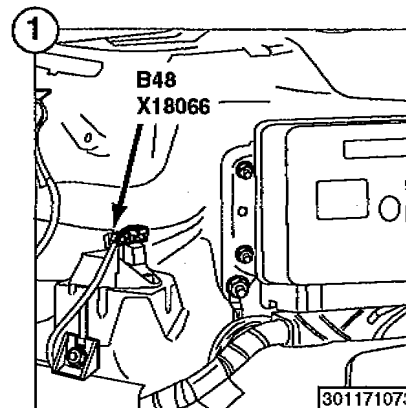




COMPONENT LOCATION VIEWS



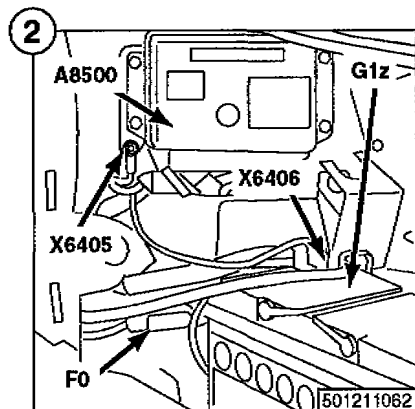
50100002



B48
RIGHT REAR
ACCELERATION
SENSOR

X18066

301171073



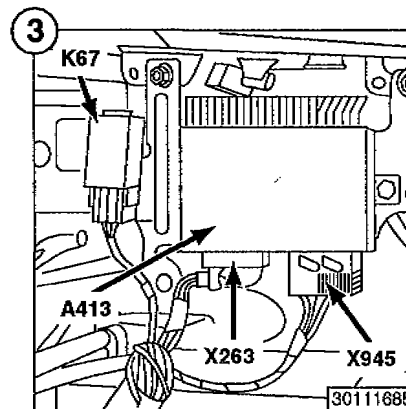
A8500
TRANSMISSION
CONTROL
MODULE (EGS)

G1z
RIGHT BATTERY I

F0
X6405
GROUND

X6406

501211062



A413
ELECTRONIC
SHOCK
ABSORBER
CONTROL
MODULE (EDC)

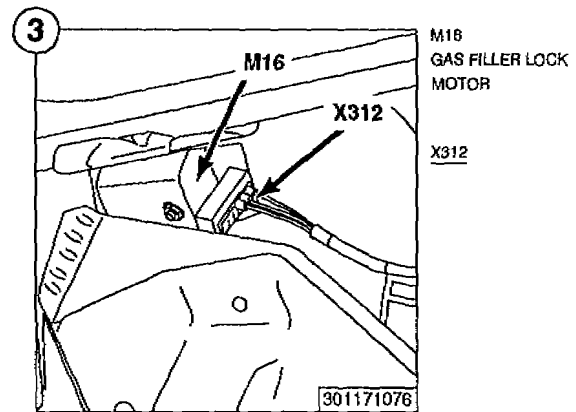
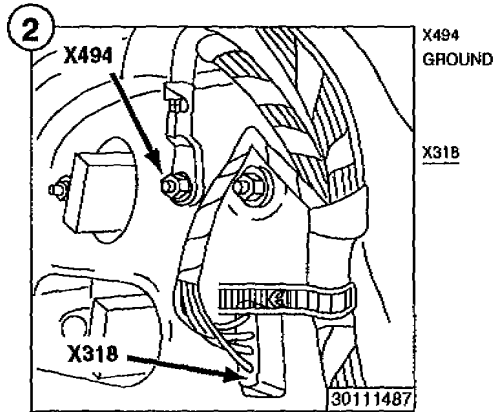
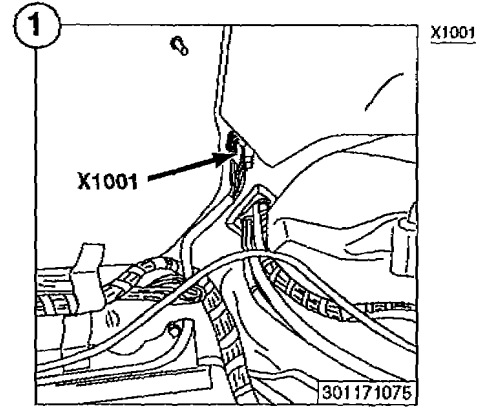
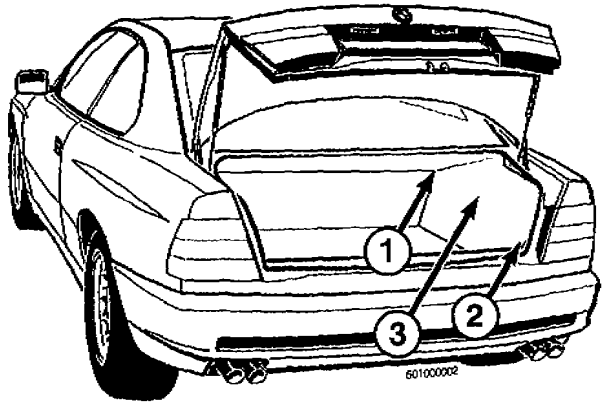
K67
EDC RELAY

X263
X945

30111685

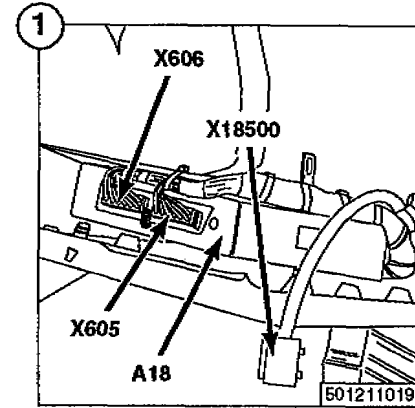
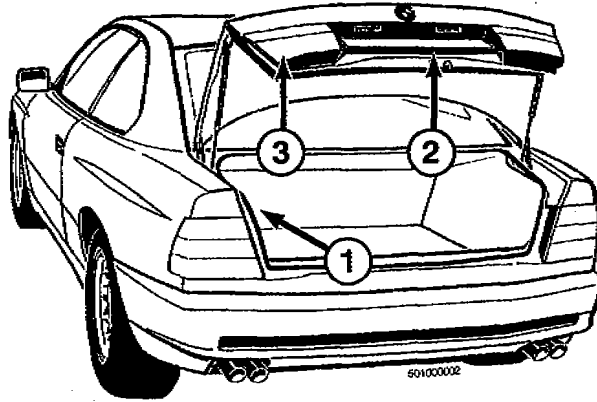


COMPONENT LOCATION VIEWS



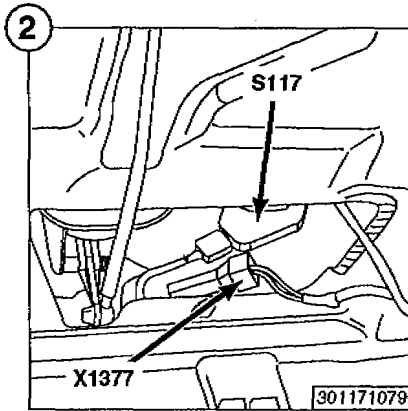


COMPONENT LOCATION VIEWS



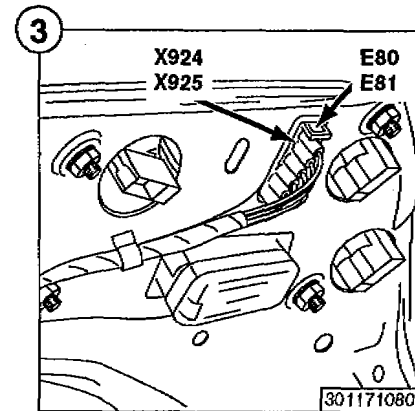
A18
HIFI AMPLIFIER

X605
X606
X18500



S117
TRUNK LID LOCK-
ING SWITCH

X1377



E80
LEFT REAR LIGHT
ASSEMBLY II

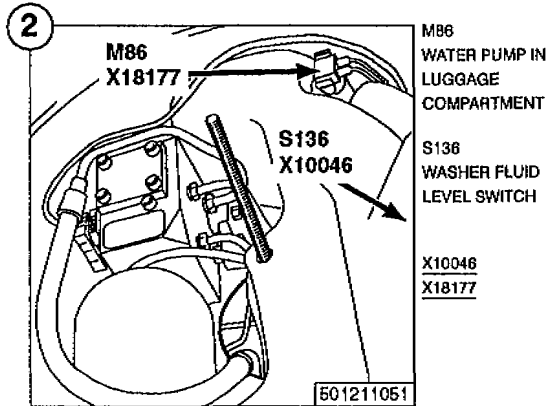
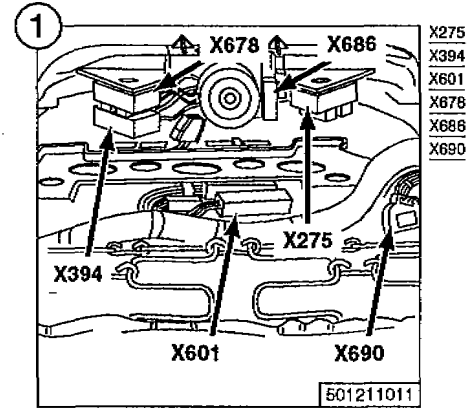
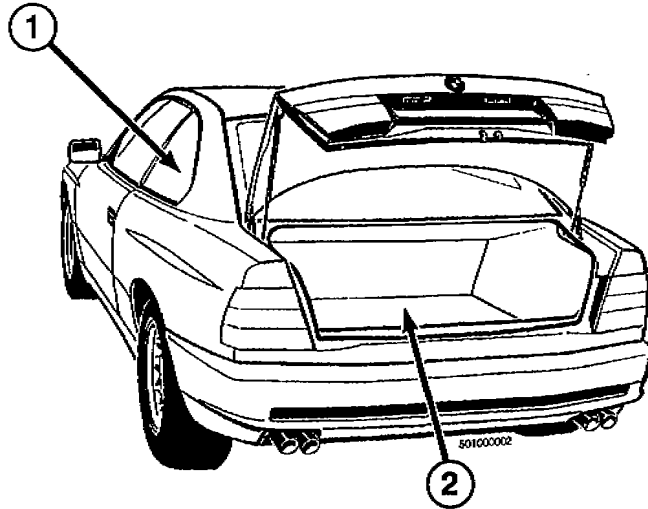
E81
RIGHT REAR LIGHT
ASSEMBLY II

X924
X925

RH SIMILAR

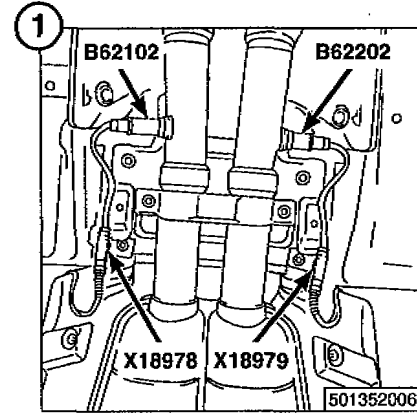
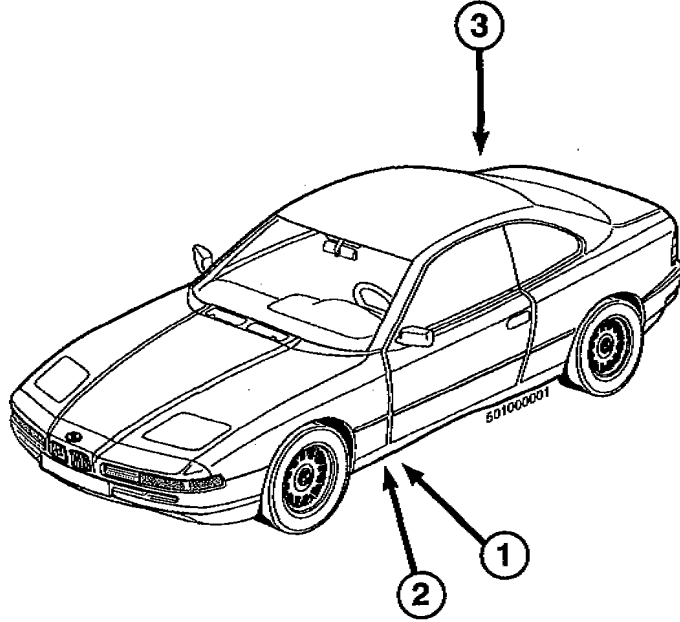


COMPONENT LOCATION VIEWS





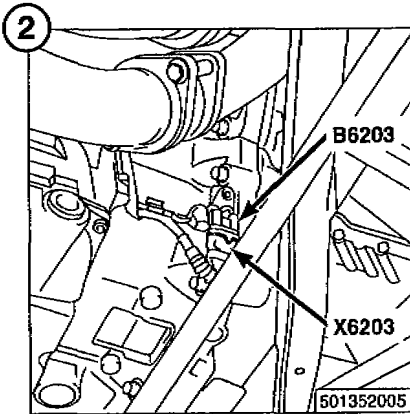
COMPONENT LOCATION VIEWS



B62102
OXYGEN SENSOR I
(BEHIND
CATALYTIC
CONVERTER)

B62202
OXYGEN SENSOR
II (BEHIND
CATALYTIC
CONVERTER)

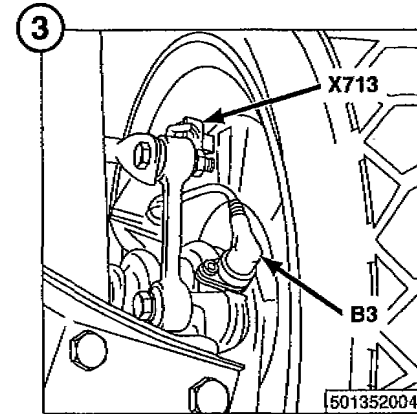
X18978
X18979



B6203
CRANKSHAFT
POSITION/RPM
SENSOR

X6203

501352005



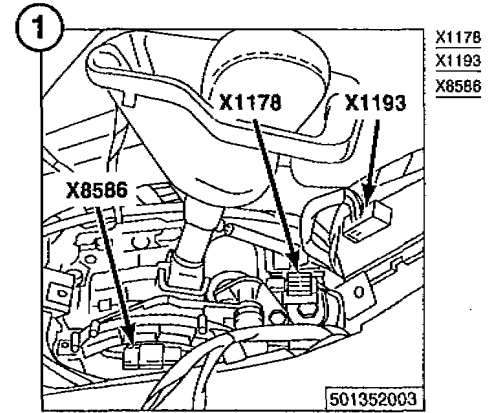
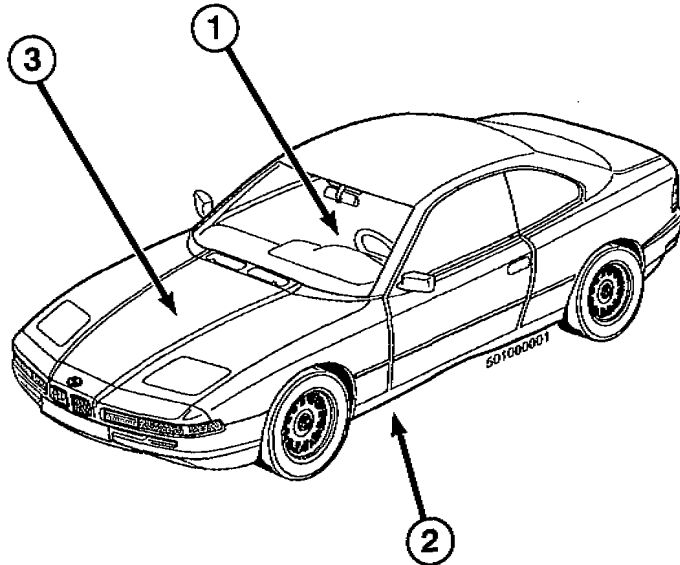
B3
RIGHT REAR
SPEED SENSOR -
ABS

X713

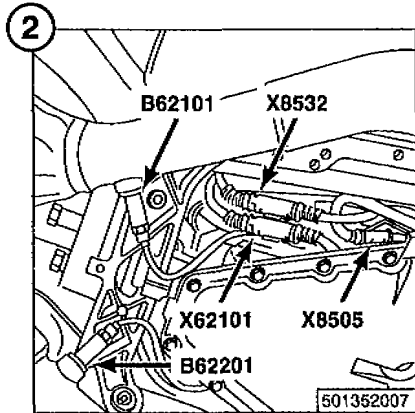
501352004



COMPONENT LOCATION VIEWS



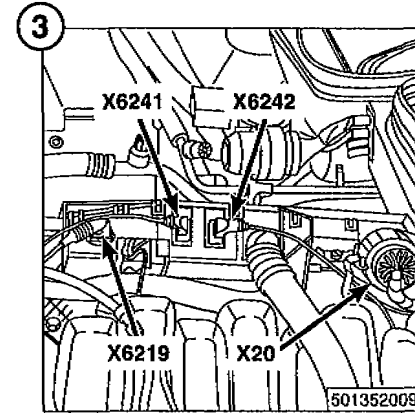
X1178
X1193
X8586



B62101
OXYGEN SENSOR I
(IN FRONT OF
CATALYTIC
CONVERTER)

B62201
OXYGEN SENSOR
II (IN FRONT OF
CATALYTIC
CONVERTER)

X8505
X8532
X62101

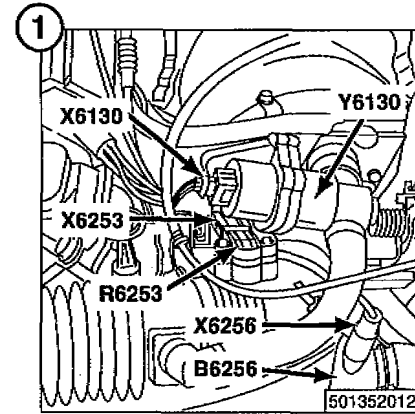
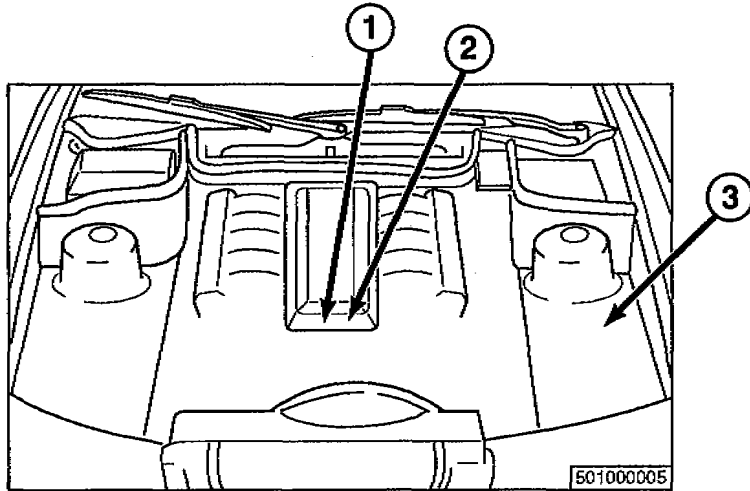


X20
X6219
X6241
X6242



COMPONENT LOCATION VIEWS

ELECTRICAL CONTROL MODULE LOCATIONS

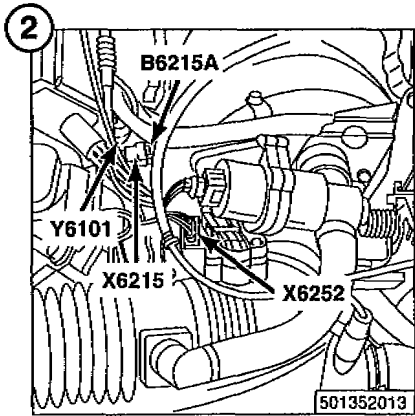


B6256
DUAL
TEMPERATURE
SENSOR (COOLANT
TEMPERATURE)

R6253
AUXILIARY
THROTTLE
POSITION SENSOR

Y6130
IDLE SPEED
CONTROL VALVE

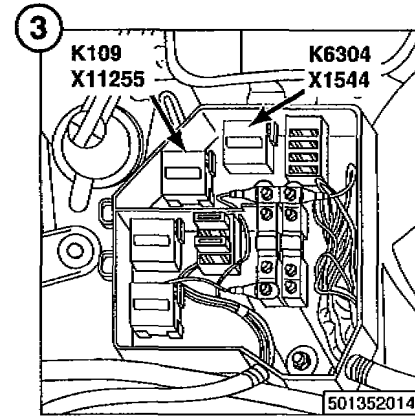
X6130
X6253
X6256



B6215A
INTAKE AIR
TEMPERATURE
SENSOR

Y6101
CYL. 1 FUEL
INJECTION VALVE

X6215
X6252



K109
SECONDARY AIR
PUMP RELAY

K6304
SECONDARY AIR
PUMP RELAY

X1544
X11255



8000.0



SPLICE LOCATION VIEWS

SPLICE	HARNESS	PAGE NUMBER	SPLICE	HARNESS	PAGE NUMBER
X181-X190	FRONT	8000.0-02	X934	DRIVER'S DOOR	NOT SHOWN
X195	CHASSIS	8000.0-03	X935	PASSENGER'S DOOR	NOT SHOWN
X196-X208	FRONT	8000.0-02	X939	REAR	8000.0-04
X212-X265	FRONT	8000.0-02	X943	SUNSHADE	NOT SHOWN
X267	REAR	8000.0-04	X960-X980	BATTERY	NOT SHOWN
X276	FRONT	8000.0-02	X1006	REAR	8000.0-04
X427-X486	REAR	8000.0-04	X1017-X1018	CHASSIS	8000.0-03
X557	GLOVE BOX LIGHTS	NOT SHOWN	X1022-X1036	FRONT	8000.0-02
X558-X559	REAR	8000.0-04	X1180	CHASSIS	8000.0-03
X560	FRONT	8000.0-02	X1183	FRONT	8000.0-02
X566-X567	CHASSIS	8000.0-03	X1200	FRONT	8000.0-02
X582-X704	FRONT	8000.0-02	X1202-X1215	REAR	8000.0-04
X801	FRONT	8000.0-02	X1351-X1356	CHASSIS	8000.0-03
X805	REAR	8000.0-04	X1359-X1378	REAR	8000.0-04
X806	FRONT	8000.0-02	X1411-X1414	CHASSIS	8000.0-03
X824	RADIO	NOT SHOWN	X1449	FRONT	8000.0-02
X830	RADIO	NOT SHOWN	X1472	REAR	8000.0-04
X833	REAR	8000.0-04	X1735	REAR	8000.0-04
X840	DRIVER'S SEAT	NOT SHOWN	X6245	M60 ENGINE	8000.0-05
X844	PASSENGER'S SEAT	NOT SHOWN	X6410-X6491	M73 ENGINE	8000.0-07
X848-X851	DRIVER'S DOOR	NOT SHOWN	X6411-X6491	M70 ENGINE	8000.0-08
X852-X859	IHKA	NOT SHOWN	X6412-X6491	M60 ENGINE	8000.0-05
X878	RADIO	NOT SHOWN	X6412-X6492	M62 ENGINE	8000.0-06
X891-X892	PASSENGER'S DOOR	NOT SHOWN	X6801-X6866	M70 ENGINE	8000.0-08
X894	REAR	8000.0-04	X6810-X6868	M62 ENGINE	8000.0-06
X914	FRONT	8000.0-02	X6810-X6866	M60 ENGINE	8000.0-05
X926-X927	DRIVER'S DOOR	NOT SHOWN	X6821-X6868	M73 ENGINE	8000.0-07
X928-X929	PASSENGER'S DOOR	NOT SHOWN	X6900-6908	M60 ENGINE	8000.0-05



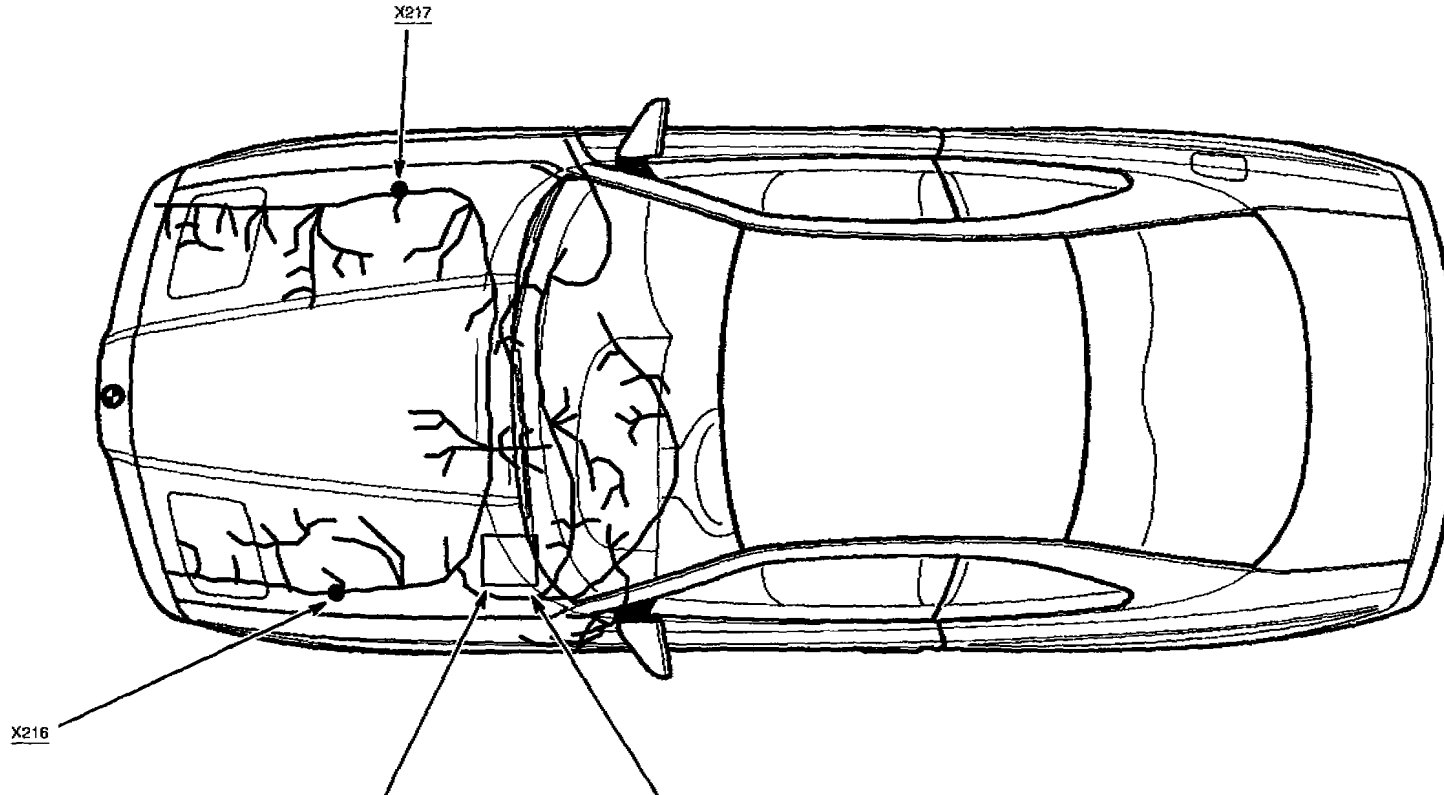
SPLICE LOCATION VIEWS

SPLICE	HARNESS	PAGE NUMBER	SPLICE	HARNESS	PAGE NUMBER
X6901-X6908	M62 ENGINE	8000.0-06	X18104-X18106	DRIVER'S SEAT	NOT SHOWN
X6932-X6949	M73 ENGINE	8000.0-07	X18108	PARK HEATING/VENTILATION	NOT SHOWN
X8002-X8072	M70 ENGINE	8000.0-08	X18121-X18122	REAR	8000.0-04
X8003-X8072	M62 ENGINE	8000.0-06	X18123	DRIVER'S DOOR	NOT SHOWN
X8003-X8088	M73 ENGINE	8000.0-07	X18140-X18142	IHKA	NOT SHOWN
X8004-X8072	M60 ENGINE	8000.0-05	X18174	RADIO	NOT SHOWN
X8561-X8576	M60 ENGINE	8000.0-05	X18175	DRIVER'S SEAT	NOT SHOWN
X8561-X8596	M62 ENGINE	8000.0-06	X18182	RADIO	NOT SHOWN
X8564-X8565	FRONT	8000.0-02	X18217	DRIVER'S DOOR	NOT SHOWN
X8589-X8594	M73 ENGINE	8000.0-07	X18226-X18241	CHASSIS	8000.0-03
X10014-X10056	FRONT	8000.0-02	X18247	DRIVER'S SEAT	NOT SHOWN
X10064	CHASSIS	8000.0-03	X18299-X18335	CHASSIS	8000.0-03
X10090	REAR	8000.0-04	X18737	DRIVER'S SEAT	NOT SHOWN
X11245	FRONT	8000.0-02	X18738	PASSENGER'S SEAT	NOT SHOWN
X11267	FRONT	8000.0-02	X18740	GLOVE BOX LIGHTS	NOT SHOWN
X13000	REAR	8000.0-04	X18744-X18747	FRONT	8000.0-02
X13047	REAR	8000.0-04	X18749	CHASSIS	8000.0-03
X13115	REAR	8000.0-04	X18751	CHASSIS	8000.0-03
X13133	REAR	8000.0-04	X18768	CHASSIS	8000.0-03
X13141	REAR	8000.0-04	X18769	CHASSIS	8000.0-03
X13315	REAR	8000.0-04	X18780	FRONT	8000.0-02
X18026-X18046	CHASSIS	8000.0-03	X19507	FRONT	8000.0-02
X18044	FRONT	8000.0-02	X19515	DRIVER'S DOOR	NOT SHOWN
X18048	REAR	8000.0-04	X19516	PASSENGER'S DOOR	NOT SHOWN
X18056-X18087	CHASSIS	8000.0-03	X19525-X19526	CHASSIS	8000.0-03
X18091	DRIVER'S SEAT	NOT SHOWN	X80251-X80255	M62 ENGINE	8000.0-06
X18092	PASSENGER'S SEAT	NOT SHOWN	X80253-X80254	M73 ENGINE	8000.0-07
X18100-X18102	DRIVER'S SEAT	NOT SHOWN			



SPLICE LOCATION VIEWS

FRONT HARNESS



X216

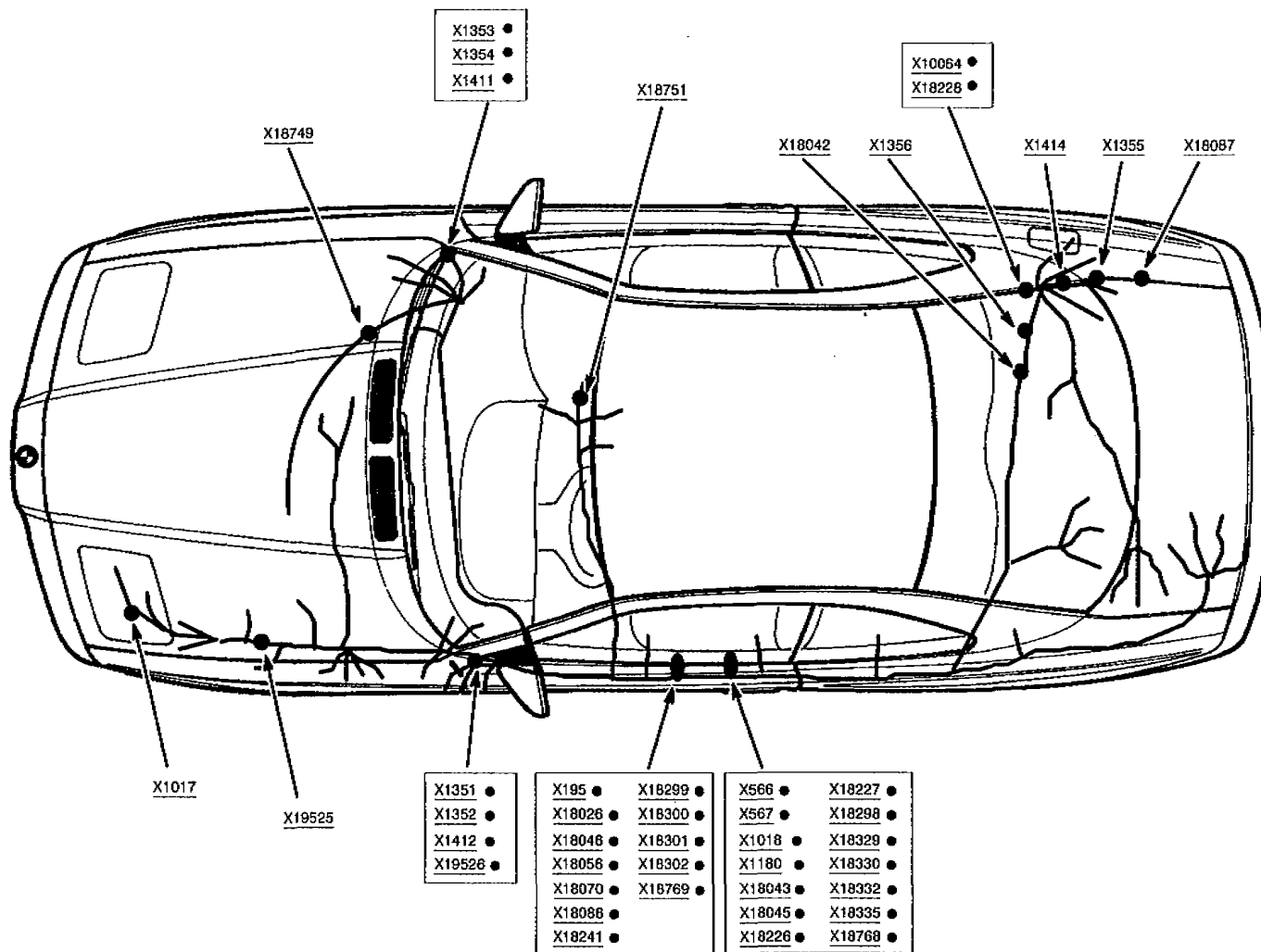
X184	•	X245	•	X914	•
X185	•	X246	•	X1022	•
X188	•	X247	•	X1200	•
X201	•	X248	•	X8564	•
X203	•	X249	•	X8565	•
X205	•	X250	•	X10014	•
X208	•	X261	•	X11245	•
X212	•	X264	•	X18744	•
X215	•	X265	•	X18745	•
X224	•	X582	•	X18746	•
X240	•	X801	•		

X181	•	X223	•	X10043	•
X182	•	X226	•	X10056	•
X183	•	X241	•	X11267	•
X190	•	X243	•	X18044	•
X196	•	X276	•	X18747	•
X198	•	X560	•	X18780	•
X199	•	X806	•	X19507	•
X200	•	X1023	•		
X204	•	X1036	•		
X213	•	X1183	•		
X222	•	X1449	•		



SPLICE LOCATION VIEWS

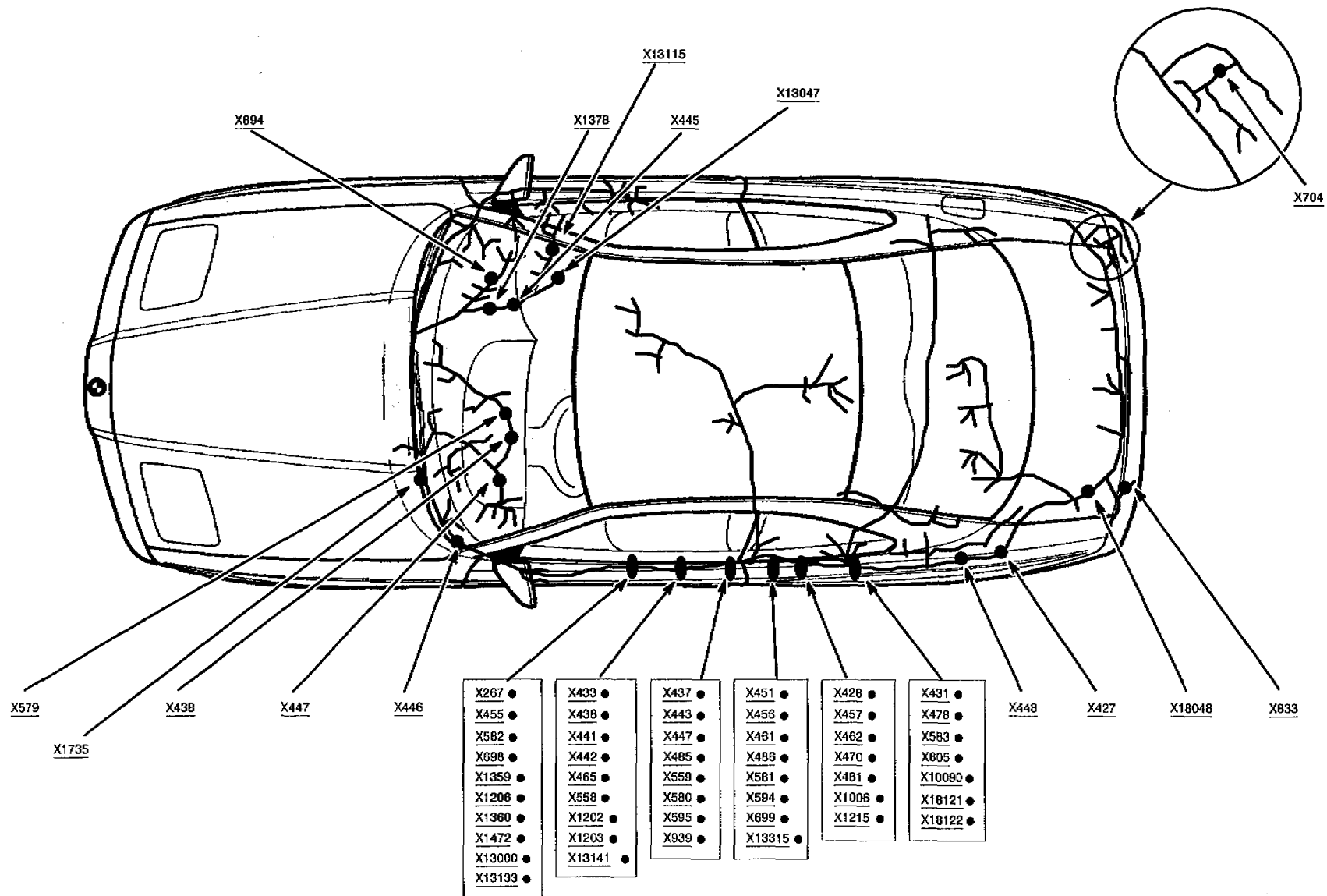
CHASSIS HARNESS





SPLICE LOCATION VIEWS

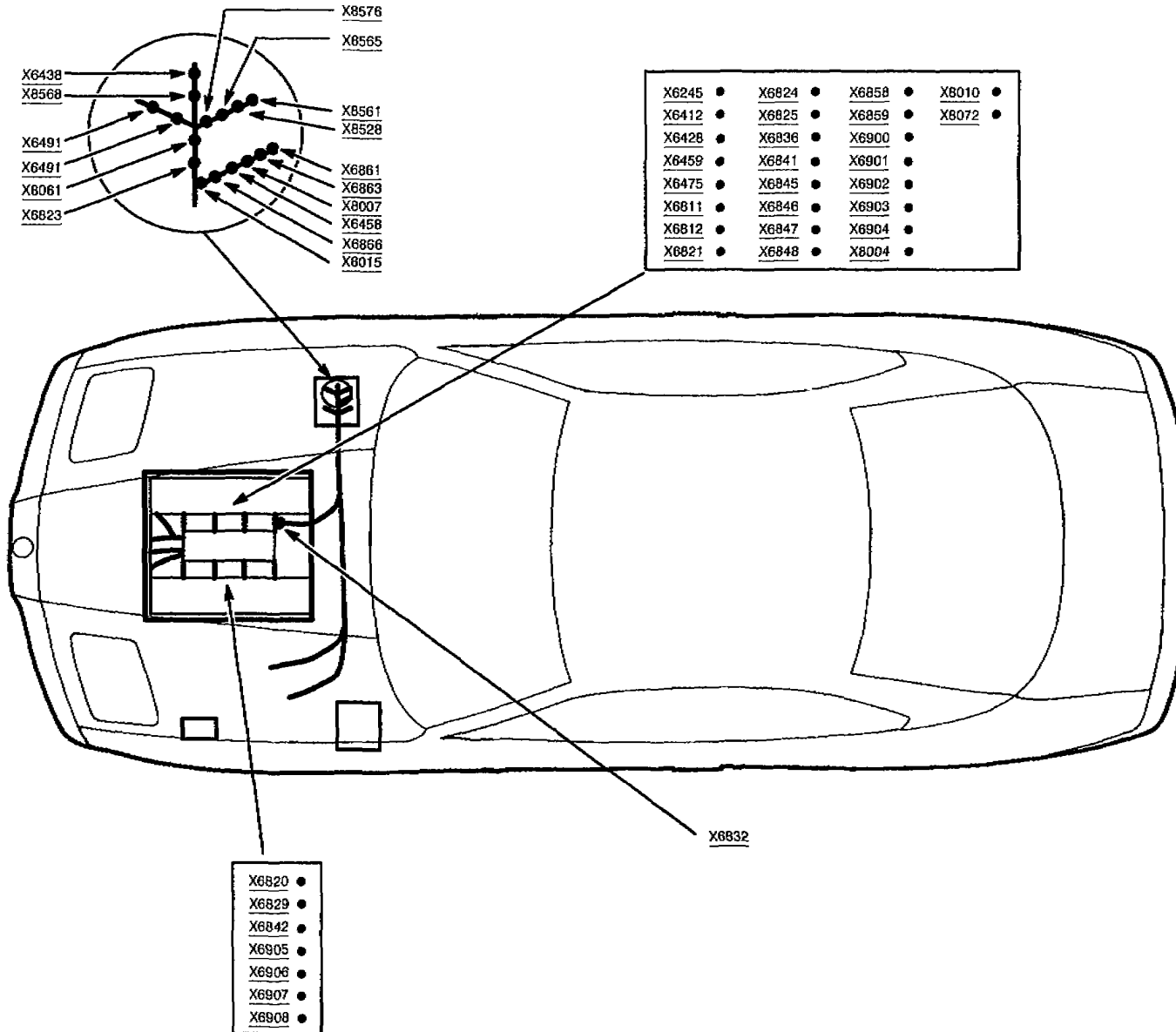
REAR HARNESS





SPLICE LOCATION VIEWS

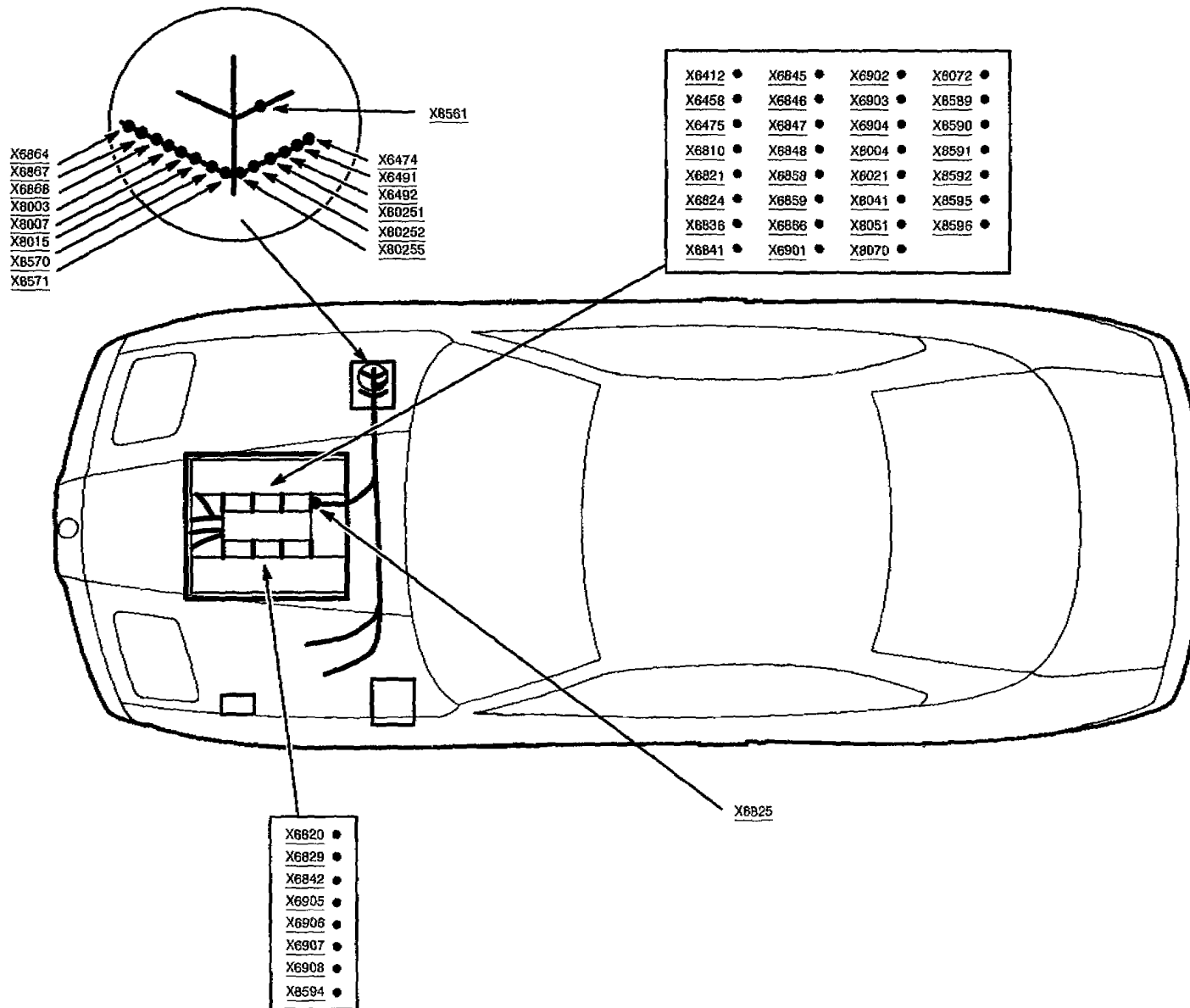
M60 HARNESS





SPLICE LOCATION VIEWS

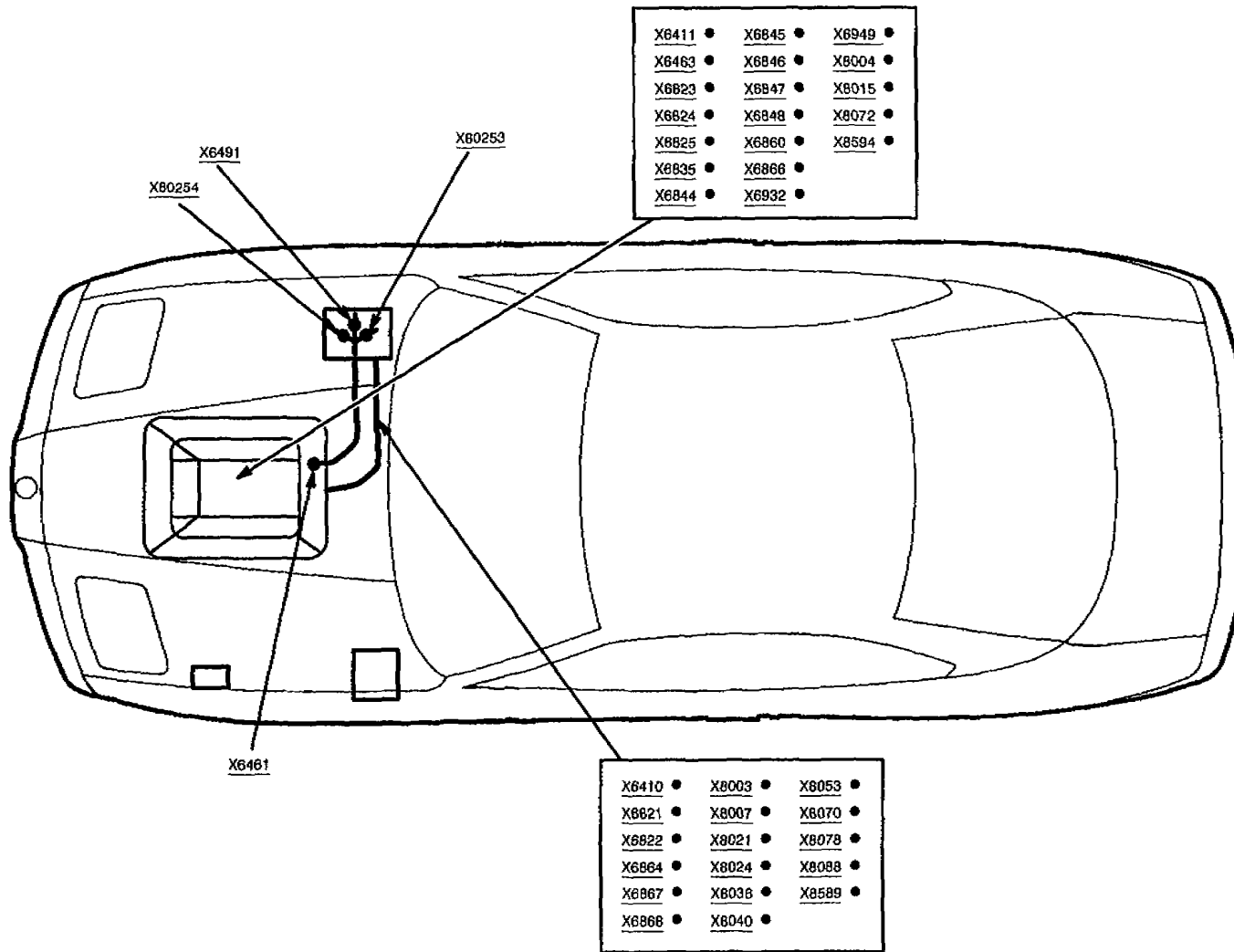
M62 HARNESS





SPLICE LOCATION VIEWS

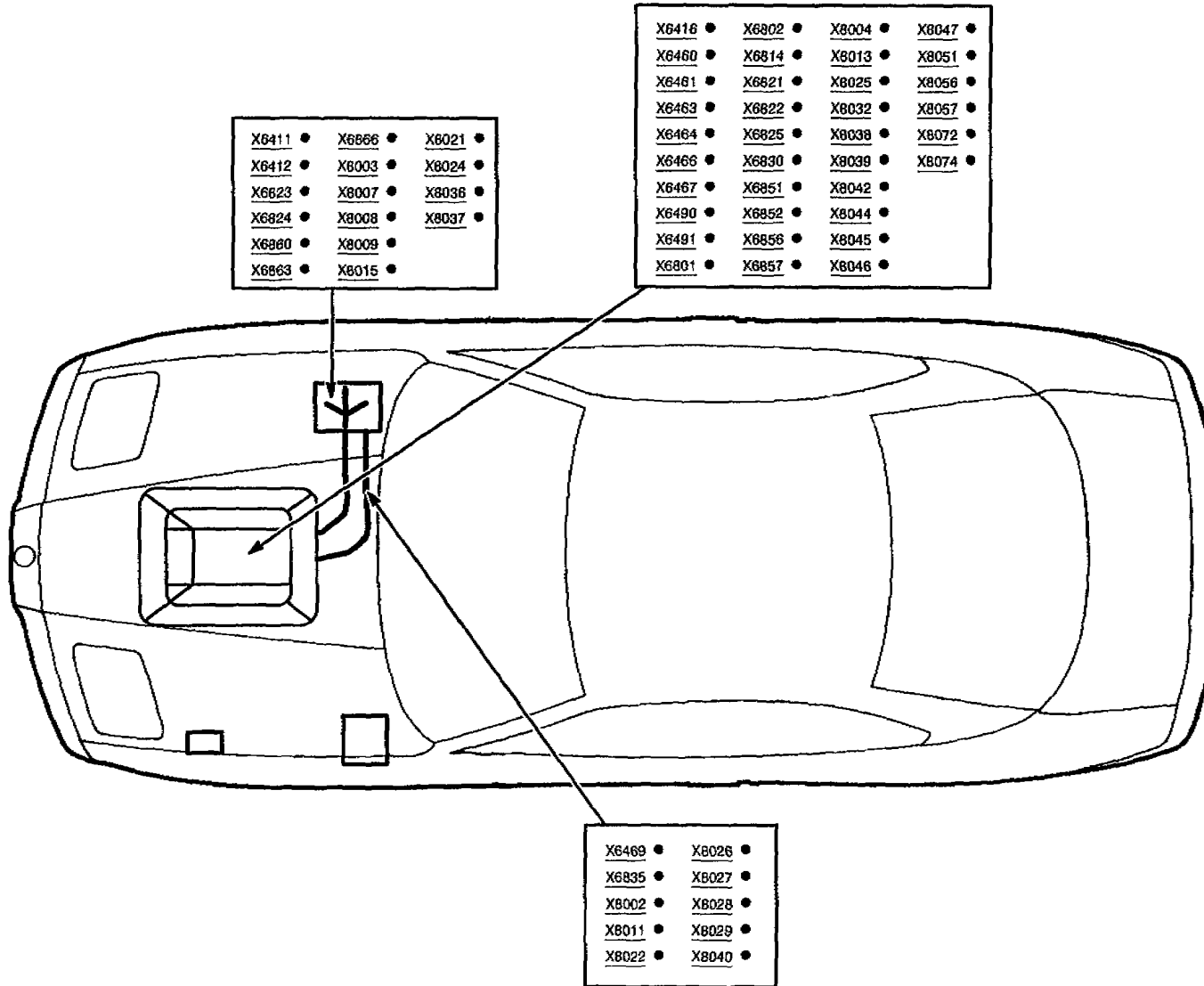
M73 HARNESS





SPLICE LOCATION VIEWS

M70 HARNESS



BMW
8

8500.0



CONNECTOR VIEWS

FIG 1

B880001 00

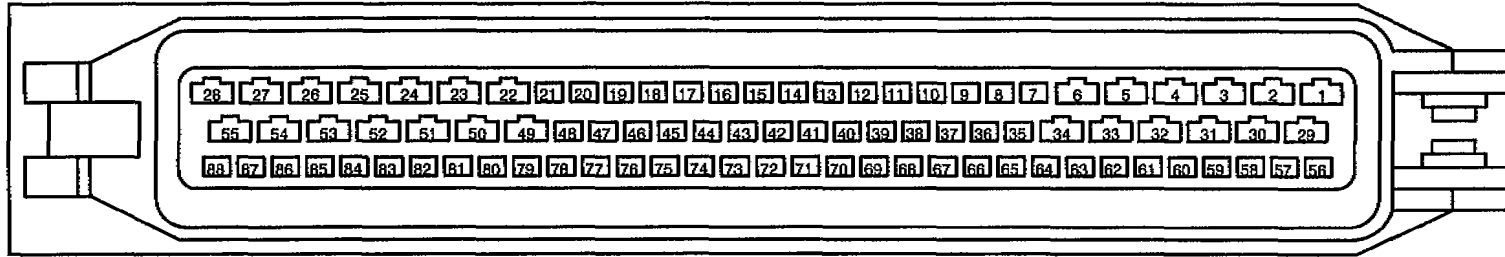


FIG 2

B550001 00

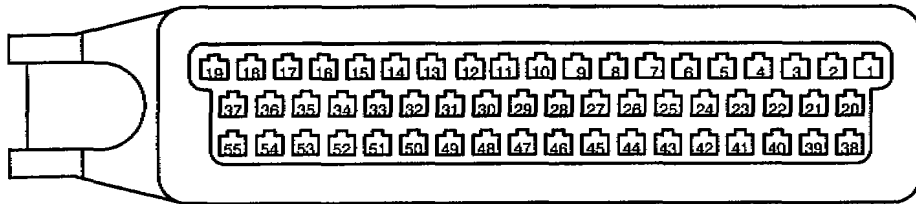
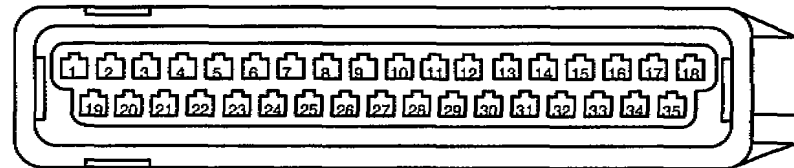


FIG 3

B350002 05





CONNECTOR VIEWS

FIG. 1

B300001.01

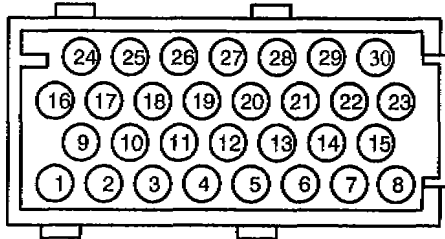


FIG. 2

B260005.01

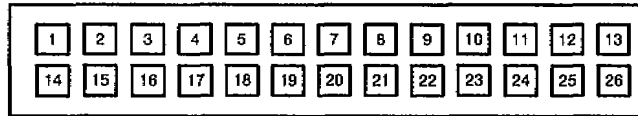


FIG. 3

B260002.00

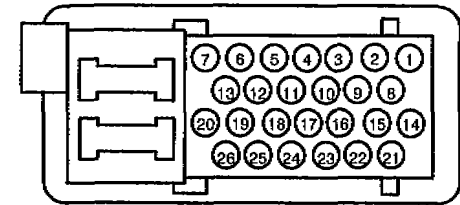


FIG. 4

B260002.00

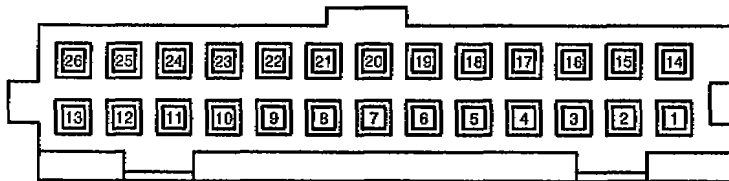


FIG. 5

B250001.02

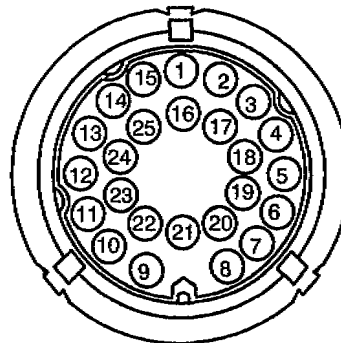
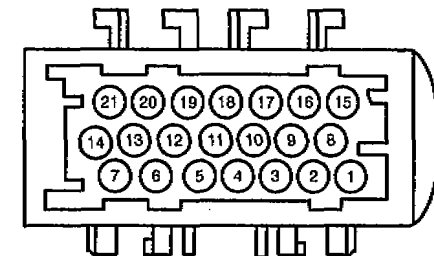


FIG. 6

B210001.00





CONNECTOR VIEWS

FIG. 1

B200007.00

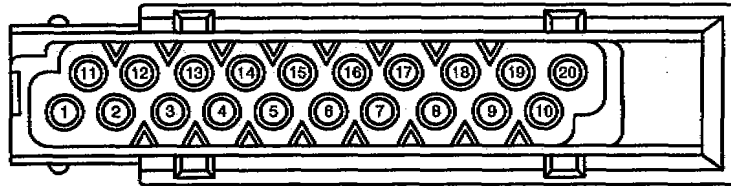


FIG. 2

B200003.00

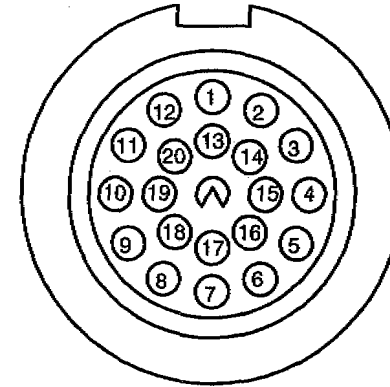


FIG. 3

B180000.01

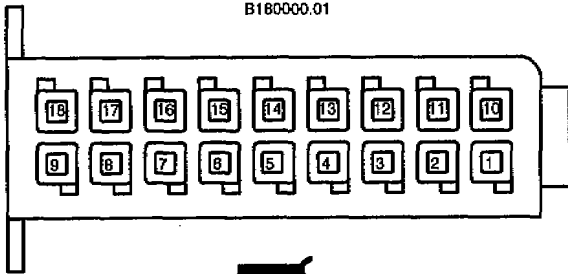


FIG. 4

B170001.00

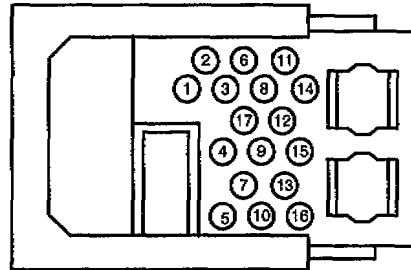
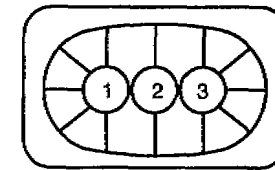


FIG. 5

B030023.00





CONNECTOR VIEWS

FIG. 1

8100011.02

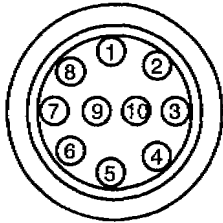


FIG. 2

B030015.08

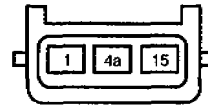


FIG. 3

B120015.02

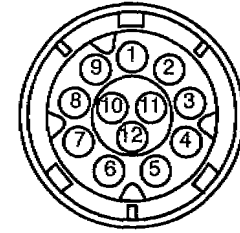


FIG. 4

8150002.00

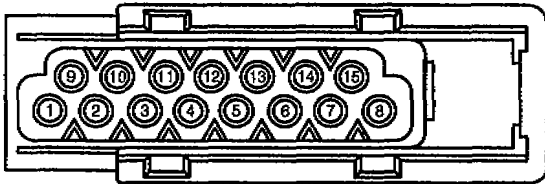


FIG. 5

B120011.01

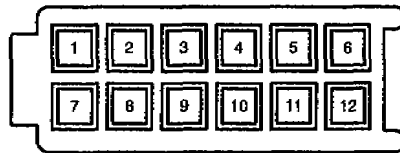


FIG. 6

B120005.00

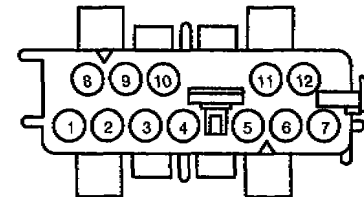


FIG. 1

B120002.02

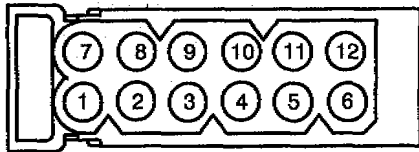


FIG. 2

B120006.00

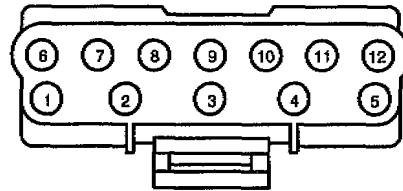


FIG. 3

B120004.05

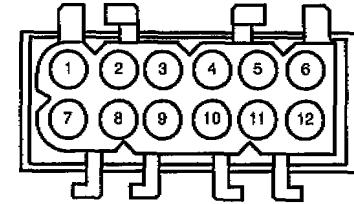


FIG. 4

B120008.00

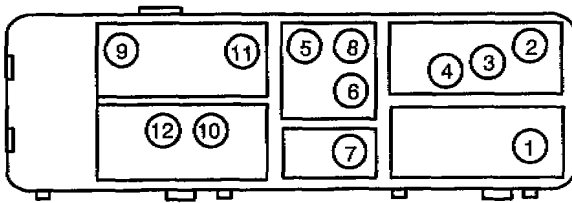


FIG. 5

B100004.01

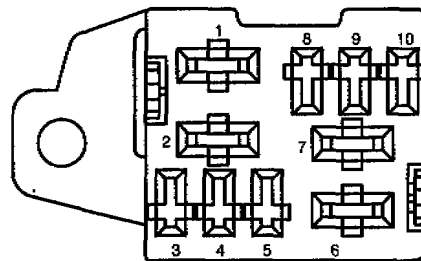
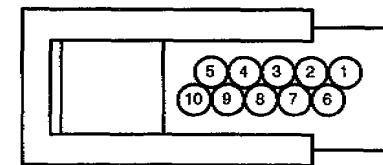


FIG. 6

B100007.00





CONNECTOR VIEWS

FIG. 1

B100009.00

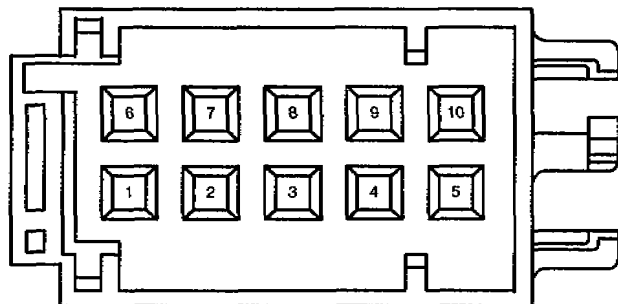


FIG. 2

B100010.00

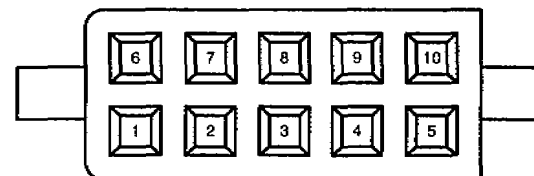


FIG. 3

B100008.00

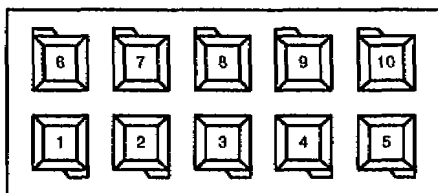


FIG. 4

B090001.00

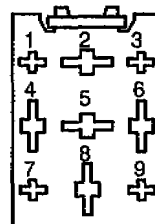


FIG. 5

B060003.01

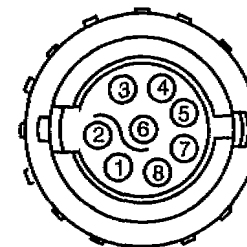


FIG. 1

B080005.00

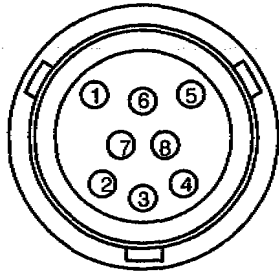


FIG. 2

B030018.02

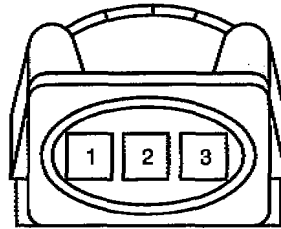


FIG. 3

B080001.01

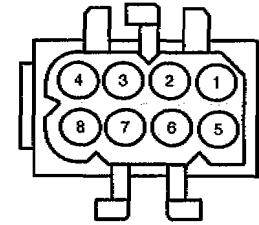


FIG. 4

B080002.00

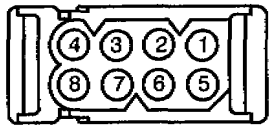


FIG. 5

B070005.01

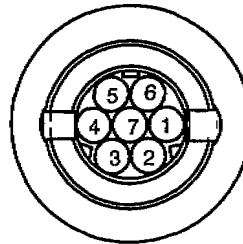
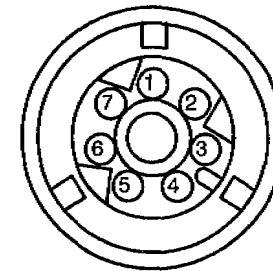


FIG. 6

B070007.02





CONNECTOR VIEWS

FIG. 1

B040023.01

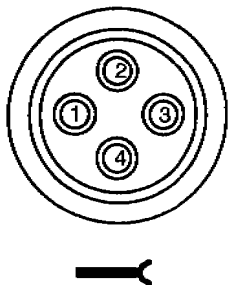


FIG. 2

B060035.03

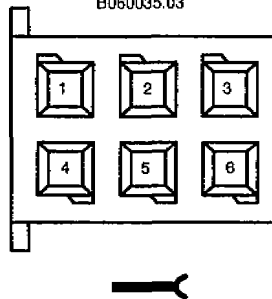


FIG. 3

B060038.00

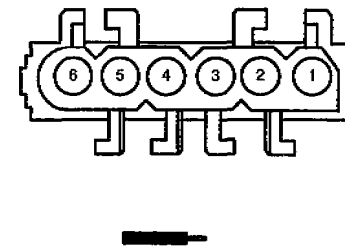


FIG. 4

B040018.01

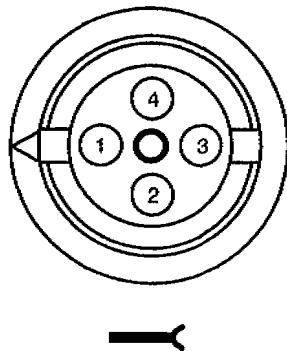


FIG. 5

B060009.00

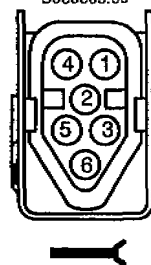
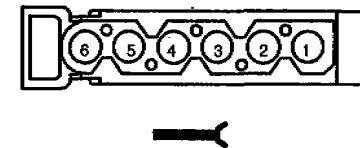


FIG. 6

B060017.00





CONNECTOR VIEWS

FIG. 1

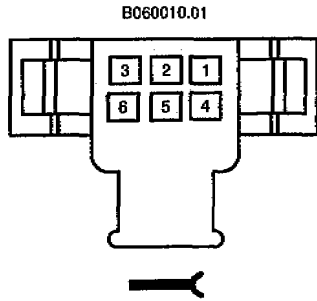


FIG. 2

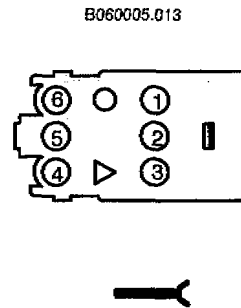


FIG. 3

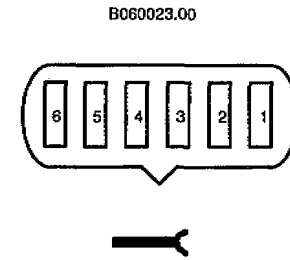


FIG. 4

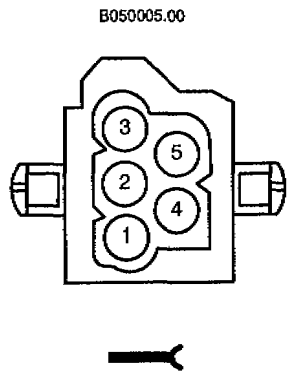


FIG. 5

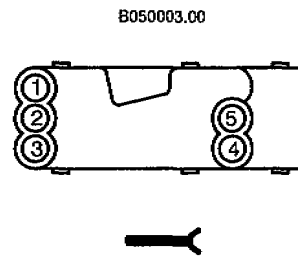
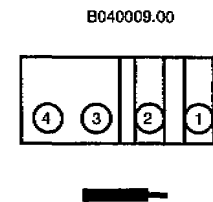


FIG. 6





CONNECTOR VIEWS

FIG. 1

B040021

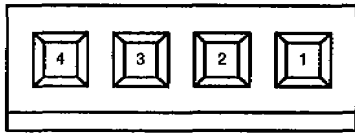


FIG. 2

B040004.00



FIG. 3

B040002.00

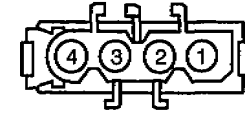


FIG. 4

B040017.01

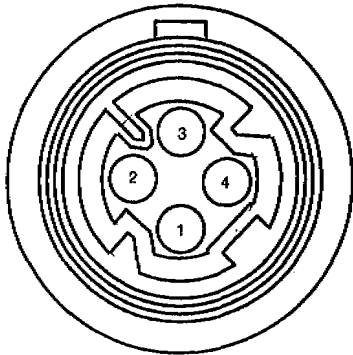


FIG. 5

B040013

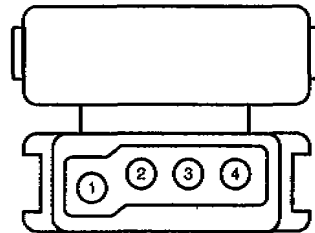
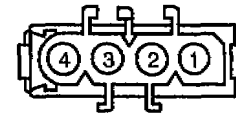


FIG. 6

B040002.04





CONNECTOR VIEWS

FIG. 1

B040018.04

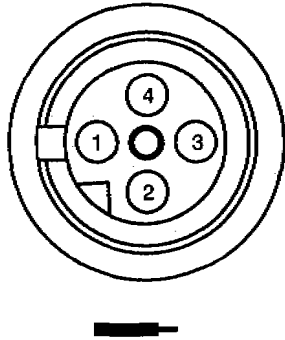


FIG. 2

B040015.00

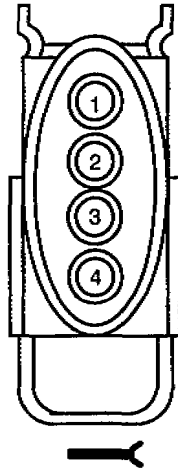


FIG. 3

B040003.00

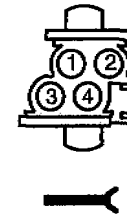


FIG. 4

B030041.00

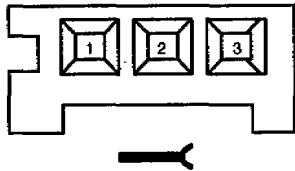


FIG. 5

B030024

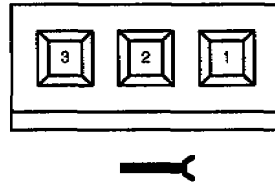
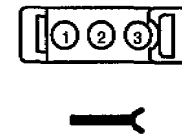


FIG. 6

B030003.04





CONNECTOR VIEWS

FIG. 1

B030026.00

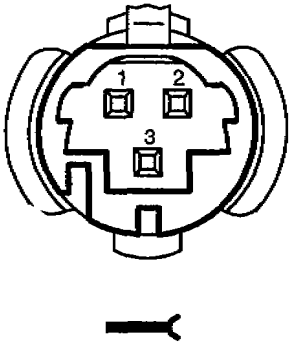


FIG. 2

B030009.00

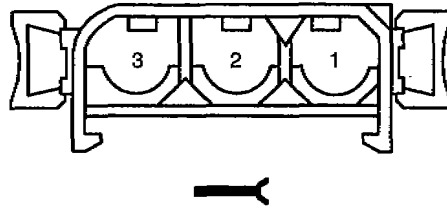


FIG. 3

B0300045.00

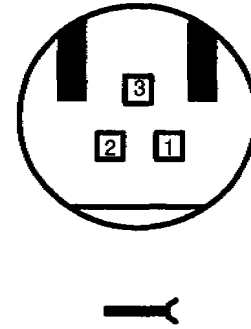


FIG. 4

B030004.00

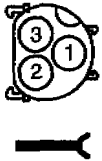


FIG. 5

B030012.00

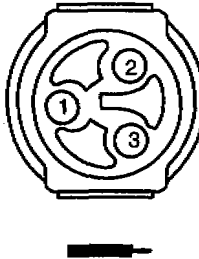
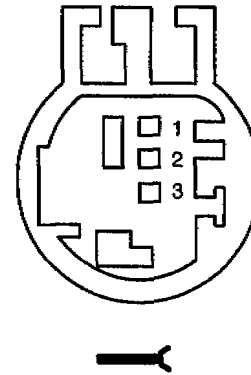


FIG. 6

B030042.00





CONNECTOR VIEWS

FIG. 1

B030015.00

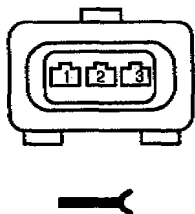


FIG. 2

B030001.00

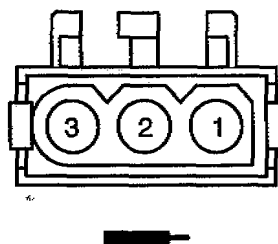


FIG. 3

B030021.00

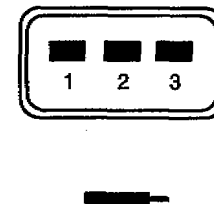


FIG. 4

B030022.00

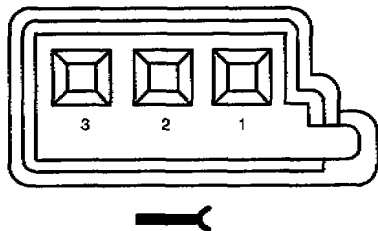
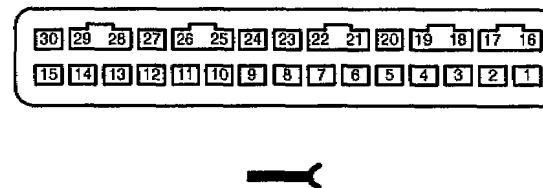


FIG. 5

B300003.00





CONNECTOR VIEWS

FIG. 1

B030037.00

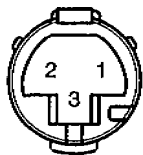


FIG. 2

B120016.00

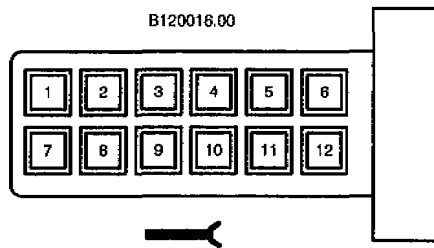


FIG. 3

B080019.00

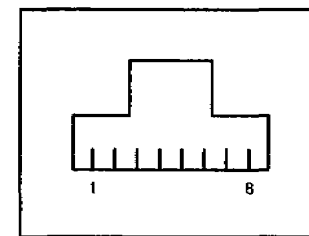


FIG. 4

B250003.00

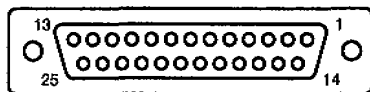


FIG. 5

B160001.00

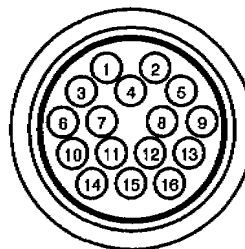
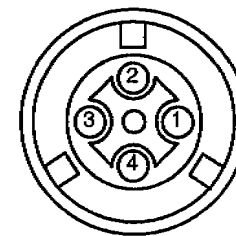


FIG. 6

B040016.01





CONNECTOR VIEWS

FIG. 1

B160002.00

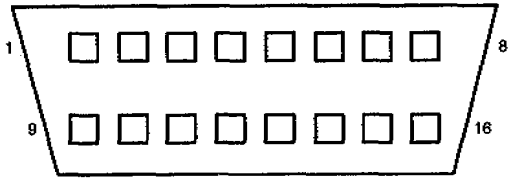


FIG. 2

B120013.00

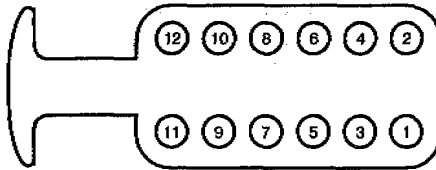


FIG. 3

B040027.00

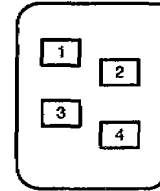


FIG. 4

B060042

