

1994

**BMW
840Ci, 850Ci,
850CSi (E31)**

**Electrical
Troubleshooting
Manual**

Vehicles Produced 9/93 to 5/94



ELECTRICAL TROUBLESHOOTING MANUAL

8 SERIES – E31 (840Ci, 850Ci, 850CSi)

SCHEMATICS

MODEL YEAR 1994

0100.0	INDEX	3240.0	POWER ASSIST STEERING (SERVOTRONIC)
0110.0	INTRODUCTION	3334.0	ACTIVE REAR AXLE KINEMATICS (AHK)
0140.0	SYMBOLS	3450.0	SLIP CONTROL (ABS)
0670.0	POWER DISTRIBUTION CHART	3450.2	SLIP CONTROL (ABS/ASC + T)
0670.1	FUSE CHART	3450.5	SLIP CONTROL 5 (ASC 5)
0670.2	POWER DISTRIBUTION	3715.2	ELECTRONIC SHOCK ABSORBER CONTROL (EDC III +)
0670.3	FUSE DETAILS	5116.0	POWER MIRRORS
0670.4	GROUND DISTRIBUTION	5120.0	ZKE DOOR LOCK HEATING (TSH)
0670.5	DATA LINK	5126.0	ZKE CENTRAL LOCKING (ZV)
1210.6	ENGINE CONTROL SYSTEM (DME M1.7, 12-CYLINDER M70)	5133.0	ZKE POWER WINDOWS (FH)
1210.11	ENGINE CONTROL SYSTEM (DME M3.3, 8-CYLINDER M60)	5146.0	POWER SUN SHADES
1230.0	CHARGING SYSTEM	5200.0	POWER SEATS
1240.0	START	5200.1	SEAT/MIRROR MEMORY SYSTEM (SM/SPM)
1270.1	ELECTRONIC THROTTLE CONTROL (EML 12-CYLINDER)	5203.0	HEATED SEATS
1290.0	E-BOX FAN	5212.0	LUMBAR SUPPORT
2460.0	ELECTRONIC TRANSMISSION CONTROL (EGS 4HP-24)	5410.0	ZKE SUNROOF (SHD)
2460.7	ELECTRONIC TRANSMISSION CONTROL (EGS: GS 9.20/A5S 560Z)	6100.0	CENTRAL BODY ELECTRONICS (ZKE II)
3231.0	ELECTRIC STEERING COLUMN ADJUSTMENT	6133.0	HORN
3231.1	STEERING COLUMN MEMORY (LSM)	6160.0	ZKE WIPER/WASHER CONTROL
3234.0	SUPPLEMENTAL RESTRAINT SYSTEM (AIRBAG)	6164.0	ZKE WINDSHIELD WIPER PRESSURE CONTROL (ADV)
		6167.0	ZKE HEADLIGHT WASHER (SRA)
		6169.0	WINDSHIELD WASHER JET HEATERS
		6210.0	BODY ELECTRONICS MODULE (EKM)
		6211.0	INSTRUMENT CLUSTER

SCHEMATICS

6300.0	LIGHT SWITCH DETAILS	(IHKA)	
6301.0	LAMP MONITOR (LKM)	6454.0	AUXILIARY FAN
6312.0	HEADLIGHTS/FOG LIGHTS	6510.1	RADIO/HIFI
6313.0	TURN/HAZARD LIGHTS	6561.0	CELLULAR TELEPHONE (PROVISIONS)
6314.0	PARK/TAIL/UNDERHOOD LIGHTS	6571.0	CRUISE CONTROL (TEMPOMAT)
6320.0	LICENSE PLATE/LUGGAGE COMPARTMENT LIGHTS	6575.3	ANTI-THEFT SYSTEM IV (DWA IV)
6322.0	BACK UP LIGHTS	6581.1	MULTI-INFORMATION DISPLAY (MID)
6325.0	BRAKE LIGHTS	6610.1	REMOTE CONTROLLED LOCKING SYSTEM
6330.0	ZKE INTERIOR LIGHTS CONTROL (IB)	7000.0	COMPONENT LOCATION CHART
6332.0	INTERIOR ACCESSORIES	7100.0	COMPONENT LOCATION VIEWS
6350.0	CRASH CONTROL MODULE	8000.0	SPLICE LOCATION VIEWS
6412.2	PARK VENTILATION WITH IHKA	8500.0	CONNECTOR VIEWS
6424.0	REAR WINDOW DEFOGGER		
6450.0	AUTOMATIC HEATING/AC CONTROL		

BMW
8

0100.0



INDEX

ABS HYDRAULIC UNIT, Y1	3450.0
ABS HYDRAULIC UNIT, Y1	3450.2
ABS HYDRAULIC UNIT, Y1w	3450.5
ABS PUMP MOTOR RELAY, K94	3450.5-08
ACCELERATION SENSOR, RIGHT REAR, B48	3715.2-01
ACCUMULATOR CHARGING UNIT, B52	3334.0-01
ACOUSTIC DEVICE, H10z	6210.0-08
ACTIVE REAR AXLE KINEMATICS (AHK)	3334.0
AHK ACTUATOR, B53	3334.0-02
AHK CONTROL MODULE, A57	3334.0
AHK RELAY, K82	3334.0-00
AIR BAG GAS GENERATOR, DRIVER'S, G5	3234.0-01
AIR BAG GAS GENERATOR I, PASSENGER'S, G6	3234.0-01
AIR CONDITIONING COMPRESSOR (IHKA), Y3	6450.0-13
AIR CONDITIONING PRESSURE SWITCH, S96	6450.0-12
AIR CONDITIONING RELAY, K33	6454.0-01
ANTENNA AMPLIFIER AM/FM, N8	6424.0-00
ANTI-THEFT CONTROL MODULE (DWA), N1	6575.3
ANTI-THEFT HORN (DWA), H1	6575.3-00
ANTI-THEFT SYSTEM IV (DWA IV)	6575.3
ASC SWITCH, S6	3450.2
ASC SWITCH, S6	3450.5-00
AUTOMATIC AIR RECIRCULATION CONTROL MODULE, A417	6450.0-15
AUTOMATIC AIR RECIRCULATION SENSOR, B414	6450.0-15
AUTOMATIC HEATING/AC CONTROL (IHKA)	6450.0
AUTOMATIC HEATING/AC CONTROL MODULE (IHKA), A11	6450.0-00
AUTOMATIC HEATING AND AIR CONDITIONING SWITCH (IHKA), S26	6450.0-01
AUTOMATIC TRANSMISSION RANGE SWITCH, S3	2460.7-04
AUTOMATIC TRANSMISSION RANGE SWITCH, S8515	2460.0-04
AUXILIARY FAN	6454.0
AUXILIARY FAN MOTOR, M9	6454.0-00
AUXILIARY RELAY BOX - ENGINE COMPARTMENT, P1	0670.2
AUXILIARY THROTTLE POSITION MOTOR (ADS), M93	3450.5-09
AUXILIARY THROTTLE POSITION SENSOR, R6253	3450.5-09
AUXILIARY TURN LIGHT, RIGHT FRONT, H8	6313.0-02
AUXILIARY WATER PUMP, M37a	6450.0-11

AUXILIARY WATER PUMP RELAY, K8z	6450.0-11
BACK UP LIGHT, LEFT, H27	6322.0-00
BACK UP LIGHT, RIGHT, H28	6322.0-00
BACK UP LIGHTS	6322.0
BATTERY I, RIGHT, G1z	0670.2-00
BATTERY II, LEFT, G4	0670.2-00
BLOWER MOTOR, M30	6450.0-01
BLOWER RELAY, K4	6450.0-00
BODY ELECTRONICS MODULE, A25	6210.0-00
BODY ELECTRONICS MODULE (EKM)	6210.0
BRAKE FLUID LEVEL SWITCH, B18	6210.0-06
BRAKE LIGHT, LEFT, H24	6325.0-00
BRAKE LIGHT, RIGHT, H31	6314.0-04
BRAKE LIGHT SWITCH, S30	6325.0-00
BRAKE LIGHTS	6325.0
BRAKE PAD SENSOR, RIGHT REAR, B17	6210.0-05
BRAKE PRESSURE REGULATING SWITCH, B19	6210.0-06
BRAKE PRESSURE SWITCH, B20	6210.0-06
CAMSHAFT POSITION SENSOR (CYLINDER IDENTIFICATION), B6204	1210.11-09
CASSETTE BOX LIGHT, E45y	6300.0-04
CD CHANGER, N22	6510.1-04
CELLULAR TELEPHONE (PROVISIONS)	6561.0
CENTRAL BODY ELECTRONICS (ZKE II)	6100.0
CENTRAL LOCKING TRUNK LID MOTOR RELAY (ZV), K70	5126.0-02
CHARGING SYSTEM	1230.0
CLUTCH SWITCH, S32	1270.1-09
COMBINATION SWITCH, S7	6301.0-00
COMPONENT LOCATION CHART	7000.0
COMPONENT LOCATION VIEWS	7100.0
COMPRESSOR CONTROL RELAY, K19	6450.0-12
COMPRESSOR CUT-OFF RELAY, K60	6450.0-12
CONCEALING HEADLIGHT MOTOR, LH, M18	6312.0-06
CONCEALING HEADLIGHT MOTOR, RH, M19	6312.0-06
CONCEALING HEADLIGHTS RELAY, K39	6312.0-06
CONNECTOR VIEWS	8500.0
CONSUMER CUT-OFF RELAY I, K72	6330.0-02



INDEX

CONSUMER CUT-OFF RELAY II, K73	6330.0-02
CONTACT RING, C101	3234.0-01
CRANKSHAFT POSITION/RPM SENSOR, B6203	1210.11-09
CRASH CONTROL MODULE	6350.0
CRASH CONTROL MODULE, N17	6350.0-01
CRUISE CONTROL (TEMPOMAT)	6571.0
CRUISE CONTROL MODULE (TEMPOMAT), A8	6571.0
CRUISE CONTROL SWITCH (EML), S11	1270.1-02
CYL. 1 FUEL INJECTION VALVE, Y6101	1210.6-02
CYL. 1 FUEL INJECTION VALVE, Y6101	1210.11-01
CYL. 1 IGNITION COIL, T6151	1210.11-03
CYL. 1-2 KNOCK SENSOR, B6241	1210.11-08
CYL. 1-4 HEATED OXYGEN SENSOR, B6210w	1210.11-06
CYL. 1-6 AIR TEMPERATURE SENSOR, B6215	1210.6-08
CYL. 1-6 CRANKSHAFT POSITION/RPM SENSOR, B6212	1210.6-05
CYL. 1-6 CYLINDER IDENTIFICATION SENSOR, B6211	1210.6-05
CYL. 1-6 ENGINE CONTROL MODULE (DME), A6010	1210.6
CYL. 1-6 ENGINE CONTROL MODULE RELAY, K6310	1210.6-01
CYL. 1-6 EVAPORATIVE EMISSION VALVE, Y6121	1210.6-03
CYL. 1-6 FUEL PUMP, M2z	1210.6-04
CYL. 1-6 FUEL PUMP RELAY, K6311	1210.6-04
CYL. 1-6 HEATED OXYGEN SENSOR, B6210	1210.6-05
CYL. 1-6 IGNITION COIL, T6151z	1210.6-00
CYL. 1-6 MASS AIR FLOW SENSOR, B6216	1210.6-03
CYL. 2 FUEL INJECTION VALVE, Y6102	1210.11-01
CYL. 2 FUEL INJECTION VALVE, Y6102	1210.6-02
CYL. 2 IGNITION COIL, T6152	1210.11-03
CYL. 3 FUEL INJECTION VALVE, Y6103	1210.6-02
CYL. 3 FUEL INJECTION VALVE, Y6103	1210.11-01
CYL. 3 IGNITION COIL, T6153	1210.11-03
CYL. 3-4 KNOCK SENSOR, B6242	1210.11-08
CYL. 4 FUEL INJECTION VALVE, Y6104	1210.11-01
CYL. 4 FUEL INJECTION VALVE, Y6104	1210.6-02
CYL. 4 IGNITION COIL, T6154	1210.11-03
CYL. 5 FUEL INJECTION VALVE, Y6105	1210.6-02
CYL. 5 FUEL INJECTION VALVE, Y6105	1210.11-02
CYL. 5 IGNITION COIL, T6155	1210.11-04

CYL. 5-6 KNOCK SENSOR, B6243	1210.11-08
CYL. 5-8 HEATED OXYGEN SENSOR, B6220w	1210.11-06
CYL. 6 FUEL INJECTION VALVE, Y6106	1210.11-02
CYL. 6 FUEL INJECTION VALVE, Y6106	1210.6-02
CYL. 6 IGNITION COIL, T6156	1210.11-04
CYL. 7 FUEL INJECTION VALVE, Y6107	1210.6-12
CYL. 7 FUEL INJECTION VALVE, Y6107	1210.11-02
CYL. 7 IGNITION COIL, T6157	1210.11-04
CYL. 7-8 KNOCK SENSOR, B6244	1210.11-08
CYL. 7-12 AIR TEMPERATURE SENSOR, B6225	1210.6-16
CYL. 7-12 CRANKSHAFT POSITION/RPM SENSOR, B6222	1210.6-15
CYL. 7-12 CYLINDER IDENTIFICATION SENSOR, B6221	1210.6-15
CYL. 7-12 ENGINE CONTROL MODULE (DME), A6020	1210.6
CYL. 7-12 ENGINE CONTROL MODULE RELAY, K6320	1210.6-11
CYL. 7-12 EVAPORATIVE EMISSION VALVE, Y6122	1210.6-13
CYL. 7-12 FUEL PUMP, M11	1210.6-14
CYL. 7-12 FUEL PUMP RELAY, K6321	1210.6-14
CYL. 7-12 HEATED OXYGEN SENSOR, B6220	1210.6-15
CYL. 7-12 IGNITION COIL, T6152z	1210.6-10
CYL. 7-12 MASS AIR FLOW SENSOR, B6226	1210.6-13
CYL. 8 FUEL INJECTION VALVE, Y6108	1210.11-02
CYL. 8 FUEL INJECTION VALVE, Y6108	1210.6-12
CYL. 8 IGNITION COIL, T6158	1210.11-04
CYL. 9 FUEL INJECTION VALVE, Y6109	1210.6-12
CYL. 10 FUEL INJECTION VALVE, Y6110	1210.6-12
CYL. 11 FUEL INJECTION VALVE, Y6111	1210.6-12
CYL. 12 FUEL INJECTION VALVE, Y6112	1210.6-12
DASH LIGHT, E41	6450.0-05
DASH VENT MIXING FLAP MOTOR, M34	6450.0-08
DATA LINK	0670.5
DATA LINK CONNECTOR, D100	0670.5-02
DAYTIME RUNNING LIGHTS CODING DIODE, V4	6314.0-02
DAYTIME RUNNING LIGHTS RELAY, K111	6314.0-02
DEFROSTER FLAP MOTOR, M35	6450.0-10
DIMMER, N3	6300.0-02
DIVERSITY, N404	6424.0-02
DOOR HANDLE SWITCH, DRIVER'S, S48	5120.0-00



INDEX

DOOR HANDLE SWITCH, PASSENGER'S, S79	6100.0-03
DOOR JAMB SWITCH, DRIVER'S, S14	6575.3-01
DOOR JAMB SWITCH, PASSENGER'S, S13	6575.3-01
DOOR LOCK HEATER, E48	5120.0-00
DOOR LOCK MOTOR, DRIVER'S, M12	5126.0-03
DOOR LOCK MOTOR, PASSENGER'S, M13	5126.0-03
DOOR LOCK SWITCH, DRIVER'S, S47	5126.0-00
DOOR LOCK SWITCH, PASSENGER'S, S49	5126.0-00
DOOR MODULE, DRIVER'S, A23	6100.0-00
DOOR MODULE, PASSENGER'S, A24	6100.0-00
DOOR PANEL LIGHT, DRIVER'S, E78	6300.0-04
DOOR PANEL LIGHT, PASSENGER'S, E79	6300.0-04
DRIVER'S SEATBACK SWITCH, LH, S104	6210.0-04
DRIVER'S SEATBACK SWITCH, RH, S103	6210.0-04
DWA LED, V5	6575.3-00
E-BOX, P93	0670.2
E-BOX FAN	1290.0
E-BOX FAN, M6506	1290.0-00
EDC RELAY, K67	3715.2-00
EDC SWITCH, S105	3715.2-00
EDC VALVES, LEFT REAR, Y403z	3715.2-02
EDC VALVES, RIGHT FRONT, Y402z	3715.2-02
EDC VALVES, RIGHT REAR, Y404z	3715.2-02
ELECTRIC POWER PROTECTION RELAY, K15	5126.0-02
ELECTRIC POWER PROTECTION RELAY II, K30	5126.0-02
ELECTRIC STEERING COLUMN ADJUSTMENT	3231.0
ELECTRO-HYDRAULIC CONVERTER (SERVOTRONIC), B15	3240.0-00
ELECTROCHROMIC REAR VIEW MIRROR, A22z	5116.0-02
ELECTRONIC SHOCK ABSORBER CONTROL (EDC III+)	3715.2
ELECTRONIC SHOCK ABSORBER CONTROL MODULE (EDC), A413	3715.2
ELECTRONIC THROTTLE CONTROL (EML 12-CYLINDER)	1270.1
ELECTRONIC TRANSMISSION CONTROL (EGS 4HP-22)	2460.0
ELECTRONIC TRANSMISSION CONTROL (EGS: GS 9.20/A5S 560Z)	2460.7
EML ACTUATOR MOTOR I, M6360	1270.1-05
EML ACTUATOR MOTOR II, M6370	1270.1-06

EML SWITCH, S202	1270.1-04
ENGINE CONTROL MODULE (DME), A6000	1210.11
ENGINE CONTROL MODULE RELAY, K6300	1210.11-00
ENGINE CONTROL SYSTEM (DME M1.7, 12-CYLINDER M70)	1210.6
ENGINE CONTROL SYSTEM (DME M3.3, 8-CYLINDER M60)	1210.11
ENGINE COOLANT TEMP. SENSOR (EML), B6234	1270.1-03
ENGINE COOLANT TEMPERATURE SENSOR, B6232	6210.0-07
ENGINE COOLANT TEMPERATURE SENSOR, B6236	1210.6-08
ENGINE COOLANT TEMPERATURE SENSOR, B6236	1210.11-07
ENGINE HOOD SWITCH (DWA), S21	6575.3-02
EVAPORATIVE EMISSION VALVE, Y6120	1210.11-01
EVAPORATOR TEMPERATURE SENSOR, B14	6450.0-03
FINAL STAGE UNIT, N2	6450.0-01
FLASHER LIGHT RELAY, K52z	6312.0-05
FM AMPLIFIER HLO, N444	6424.0-02
FM AMPLIFIER/SUPPRESSION FILTER, C900z	6424.0-02
FOG LIGHT, LEFT, E26	6312.0-03
FOG LIGHT, RIGHT, E27	6312.0-03
FOG LIGHT SWITCH, S10	6312.0-02
FOOTWELL LIGHT, RIGHT FRONT, E62	6330.0-03
FOOTWELL FLAP MOTOR, LEFT, M31	6450.0-09
FOOTWELL FLAP MOTOR, RIGHT, M32	6450.0-08
FRESH AIR FLAP MOTOR, M36	6450.0-10
FRONT ACCELERATION SENSOR, B41z	3715.2-01
FRONT AUXILIARY TURN LIGHT, LEFT, H9	6313.0-02
FRONT BRAKE PAD SENSOR, LEFT, B16	6210.0-05
FRONT CIGAR LIGHTER, E28	6332.0-03
FRONT CIGAR LIGHTER LIGHT, E29	6332.0-02
FRONT DOME LIGHT/MAP READING ASSEMBLY, E34	6330.0-03
FRONT EDC VALVES, LEFT, Y401z	3715.2-02
FRONT FOOTWELL LIGHT, LEFT, E61	6330.0-03
FRONT HIGH RANGE SPEAKER, LEFT, H59	6510.1-01
FRONT LOW RANGE SPEAKER, LEFT, H58	6510.1-01
FRONT MARKER LIGHT, LEFT, E21	6314.0-04
FRONT MIDRANGE SPEAKER, LEFT, H55	6510.1-01
FRONT POWER DISTRIBUTION BOX, P90	0670.2
FRONT SPEED SENSOR - ABS, LEFT, B2	3450.0-03



INDEX

FRONT SPEED SENSOR - ABS, LEFT, B2	3450.2
FRONT SPEED SENSOR - ABS, LEFT, B2	3450.5
FRONT TURN LIGHT, LEFT, H7	6313.0-02
FUEL LEVEL SENSOR I, B6z	6210.0-08
FUEL LEVEL SENSOR II, B25	6210.0-08
FUEL PUMP, M2	1210.11-05
FUEL PUMP RELAY, K6301w	1210.11-05
FUSE CHART	0670.1
FUSE DETAILS	0670.3
FUSIBLE LINK, F0	0670.2-00
GAS FILLER LOCK MOTOR, M16	5126.0-03
GEAR SHIFT LEVER INDICATOR, E96	6300.0-05
GENERAL MODULE, A1	6100.0-00
GENERATOR, G6509	1230.0-00
GLOVE BOX CENTRAL LOCKING SWITCH, S118	5126.0-01
GLOVE BOX LIGHT, E42	6332.0-00
GLOVE BOX LIGHT SWITCH I, S37z	6332.0-01
GLOVE BOX LIGHT SWITCH II, S113	6332.0-01
GRADIENT MONITOR (DWA), B28	6575.3-04
GROUND DISTRIBUTION	0670.4
HAZARD FLASHER RELAY, K16	6313.0-00
HAZARD SWITCH, S18	6313.0-01
HEADLIGHT/FOG LIGHT WASHER PUMP, M7	6167.0-02
HEADLIGHT/FOGLIGHT CLEANING MODULE (SRA), N6	6167.0-02
HEADLIGHT WIDENING MOTOR, LEFT, M80	6312.0-07
HEADLIGHT WIDENING MOTOR, RIGHT, M81	6312.0-07
HEADLIGHT WIDENING POTENTIOMETER, R13	6312.0-07
HEADLIGHTS/FOG LIGHTS	6312.0
HEATED SEATS	5203.0
HEAT EXCHANGER TEMPERATURE SENSOR, LH, B11	6450.0-03
HEAT EXCHANGER TEMPERATURE SENSOR, RH, B12	6450.0-03
HIFI AMPLIFIER, A18	6510.1-00
HIGH BEAM FLASHER LIGHT, LEFT, E69	6312.0-05
HIGH BEAM FLASHER LIGHT, RIGHT, E70z	6312.0-05
HIGH BEAM LIGHT, RIGHT, E12	6312.0-05
HIGH BEAM LIGHT, LEFT, E11	6312.0-05
HIGH BEAM LIGHT RELAY, K46	6312.0-05

HIGH LEVEL STOP LIGHT, H34	6325.0-00
HIGH RANGE SPEAKER, LEFT REAR, H56	6510.1-03
HIGH RANGE SPEAKER, RIGHT FRONT, H50	6510.1-02
HIGH RANGE SPEAKER, RIGHT REAR, H53	6510.1-03
HIGH SPEED RELAY, K22	6454.0-00
HORN	6133.0
HORN, LEFT, H2	6133.0-00
HORN, RIGHT, H3	6133.0-00
HORN RELAY, K2	6133.0-00
HORN SWITCH, S4	6133.0-00
HOT FILM AIR MASS METER, B6217	1210.11-07
IDLE SPEED CONTROL VALVE, Y6130	1210.11-00
IGNITION SWITCH, S2	0670.2
INDEX	0100.0
INERTIA SWITCH, S27	6350.0-01
INSIDE DOOR HANDLE SWITCH, DRIVER'S, S89	5120.0-01
INSIDE DOOR HANDLE SWITCH, PASSENGER'S, S90	6100.0-03
INSTRUMENT CLUSTER	6211.0
INSTRUMENT CLUSTER, A2w	6211.0
INTAKE AIR TEMPERATURE SENSOR, B6215A	1210.11-07
INTENSIVE WASH PUMP, M5	6160.0-02
INTENSIVE WASH RELAY, K42	6160.0-02
INTERIOR ACCESSORIES	6332.0
INTERIOR LIGHT, LEFT REAR, E39	6330.0-03
INTERIOR LIGHT, RIGHT REAR, E40	6330.0-03
INTERIOR LIGHT RELAY, K29	6330.0-03
INTRODUCTION	0110.0
JET HEATER THERMOSWITCH, S198	6169.0-00
JUMPER PLUG, B900	1240.0-01
JUMPER PLUG FOR HORN/TELEPHONE, K51	6561.0-01
KICK-DOWN SWITCH, S8507	2460.7-03
LAMP CONTROL MODULE, A3	6301.0
LAMP MONITOR (LKM)	6301.0
LICENSE PLATE LIGHT, LEFT, E43	6320.0-01
LICENSE PLATE LIGHT, RIGHT, E44	6320.0-01
LICENSE PLATE/LUGGAGE COMPARTMENT LIGHTS	6320.0
LIGHT ASSEMBLY I, LEFT REAR, E46z	0670.4-12

LIGHT ASSEMBLY I, RIGHT REAR, E47z	0670.4-12
LIGHT ASSEMBLY II, LEFT REAR, E80	6301.0-03
LIGHT ASSEMBLY II, RIGHT REAR, E81	6301.0-03
LIGHT BAND, LEFT, E9046	0670.4-01
LIGHT BAND, RIGHT, E9047	0670.4-02
LIGHT SWITCH, S8	6300.0
LIGHT SWITCH, S8z	6300.0
LIGHT SWITCH DETAILS	6300.0
LOCK-SENSOR CONTROL MODULE, A26	6450.0-13
LONGITUDINAL ACCELERATION SENSOR, B49	3715.2-01
LOW BEAM LIGHT, LEFT, E13	6312.0-00
LOW BEAM LIGHT, RIGHT, E14	6312.0-00
LOW RANGE SPEAKER, LEFT REAR, H57	6510.1-03
LOW RANGE SPEAKER, RIGHT FRONT, H51	6510.1-02
LOW RANGE SPEAKER, RIGHT REAR, H52	6510.1-03
LUMBAR SUPPORT	5212.0
MAKEUP MIRROR LIGHT, DRIVER'S, E35	6332.0-01
MAKEUP MIRROR LIGHT, PASSENGER'S, E36	6332.0-01
MAKEUP MIRROR SWITCH, DRIVER'S, S77	6332.0-01
MAKEUP MIRROR SWITCH, PASSENGER'S, S78	6332.0-01
MARKER LIGHT, RIGHT FRONT, E22	6314.0-04
MEMORY MIRRORS CONTROL SWITCH, S12	5200.1-06
MEMORY SEAT ADJUSTMENT SWITCH, DRIVER'S, S50	5200.1-00
MEMORY SEAT MIRRORS SWITCH, S57	5200.1-01
MIDRANGE SPEAKER, RIGHT FRONT, H54	6510.1-02
MID-HIGH RANGE SPEAKER, LEFT, H42	6510.1-01
MID-HIGH RANGE SPEAKER, RIGHT, H43	6510.1-02
MIRROR CONTROL SWITCH, S17	5116.0-00
MIXING FLAP MOTOR, LEFT, M39	6450.0-09
MIXING SWITCH, R1	6450.0-04
MULTI-INFORMATION DISPLAY (MID)	6581.1
MULTI-INFORMATION DISPLAY (MID), N4z	6581.1-00
NORMAL SPEED RELAY, K21	6454.0-00
OIL LEVEL SENSOR, B6230	6210.0-07
OIL PRESSURE SWITCH, B206	6210.0-06
ON-BOARD COMPUTER HORN RELAY, K91	6575.3-00
OUTSIDE TEMPERATURE SENSOR, B13	6450.0-03

OXYGEN SENSOR RELAY, K6303	1210.11-06
PARK BRAKE SWITCH, S31	6210.0-04
PARK HEATING/VENTILATION RELAY BOX, A15	6412.2-02
PARK LIGHT, LEFT, E15	6314.0-03
PARK LIGHT, RIGHT, E19	6314.0-03
PARK LIGHT RELAY, LEFT, K26	6314.0-02
PARK LIGHT/LICENSE PLATE LIGHT RELAY, RIGHT, K25	6314.0-02
PARK/TAIL/UNDERHOOD LIGHTS	6314.0
PARK VENTILATION WITH IHKA	6412.2
PASSENGER'S SEATBACK SWITCH, LH, S122	6210.0-04
PEDAL POSITION SENSOR, R10	1270.1-03
POWER ASSIST STEERING (SERVOTRONIC)	3240.0
POWER DISTRIBUTION	0670.2
POWER DISTRIBUTION CHART	0670.0
POWER MIRRORS	5116.0
POWER SEATS	5200.0
POWER SUN SHADES	5146.0
POWER WINDOW MOTOR/INCREMENT SENSOR, DRIVER'S, M21z	5133.0-03
POWER WINDOW MOTOR/INCREMENT SENSOR, PASSENGER'S, M23z	5133.0-01
PRESSURE SENSOR/PLUNGER, Y16	3450.2
PRESSURE SENSOR/PLUNGER, Y16	3450.5-06
PRESSURE SWITCH, B9508	6450.0-12
PROGRAM SELECTOR, S173	2460.7-02
PROGRAM SWITCH, S8517	2460.0-02
RADIO, N9	6510.1-00
RADIO ANTI-THEFT SWITCH (DWA), S20	6575.3-02
RADIO/HIFI	6510.1
REAR DEFOGGER/ANTENNA, E10	6424.0-01
REAR DEFOGGER I, E9	6424.0-01
REAR DEFOGGER RELAY, K13	6424.0-00
REAR LEFT MID-HIGH RANGE SPEAKER, H55z	6510.1-03
REAR POWER DISTRIBUTION BOX, P94	0670.2-07
REAR RIGHT MID-HIGH RANGE SPEAKER, H54z	6510.1-03
REAR WINDOW DEFOGGER	6424.0
REAR WINDOW DEFOGGER SWITCH, S76	6450.0-07



INDEX

RECIRCULATION FLAP MOTOR, M40	6450.0-10
RELAY MODULE, A5	6100.0
REMOTE CONTROLLED LOCKING SYSTEM	6610.1
REMOTE LOCKING RECEIVER, N13y	6610.1-00
REVERSING LIGHT SWITCH, S8511	6322.0-00
SEATBACK HEATER, DRIVER'S, E56	5203.0-00
SEATBACK HEATER, PASSENGER'S, E59	5203.0-00
SEATBACK POTENTIOMETER, R7	5200.1-03
SEATBACK RECLINER MOTOR, DRIVER'S, M53	5200.0-00
SEATBACK RECLINER MOTOR, PASSENGER'S, M58	5200.0-01
SEATBACK SWITCH, RH, PASSENGER'S, S121	6210.0-04
SEAT BELT SWITCH, DRIVER'S, S58	3234.0-00
SEAT CUSHION MOVEMENT POTENTIOMETER, R9	5200.1-02
SEAT CUSHION REAR HEIGHT POTENTIOMETER, R8	5200.1-02
SEAT CUSHION TILT MOTOR, DRIVER'S, M50	5200.0-00
SEAT CUSHION TILT MOTOR, PASSENGER'S, M61	5200.0-01
SEAT HEATER, DRIVER'S, E57	5203.0-00
SEAT HEATER, PASSENGER'S, E58	5203.0-00
SEAT HEIGHT MOTOR, DRIVER'S, M52	5200.0-00
SEAT HEIGHT MOTOR, PASSENGER'S, M59	5200.0-01
SEAT HEIGHT POTENTIOMETER, R6	5200.1-03
SEAT LUMBAR SUPPORT MOTOR/VALVE, DRIVER'S, M55z	5212.0-00
SEAT LUMBAR SUPPORT MOTOR/VALVE, PASSENGER'S, M56z	5212.0-00
SEAT LUMBAR SUPPORT SWITCH, PASSENGER'S, S55	5212.0-00
SEAT LUMBAR SWITCH, DRIVER'S, S52	5212.0-00
SEAT/MIRROR MEMORY CONTROL MODULE, A21	5200.1-00
SEAT/MIRROR MEMORY SYSTEM (SM/SPM)	5200.1
SEAT MOVEMENT MOTOR, DRIVER'S, M51	5200.0-00
SEAT MOVEMENT MOTOR, PASSENGER'S, M60	5200.0-01
SEAT OCCUPANCY DETECTOR, A113	3234.0-00
SEAT, SEAT CONTROL SWITCH, DRIVER'S, S51	5200.0-00
SEAT, SEAT CONTROL SWITCH, PASSENGER'S, S56	5200.0-01
SEAT, SEAT HEATER SWITCH, DRIVER'S, S53	5203.0-00
SEAT, SEAT HEATER SWITCH, PASSENGER'S, S54	5203.0-00
SERVOTRONIC RELAY, K199	3240.0-00
SHIFT-LOCK, Y19	2460.7-03
SHIFT LOCK, S8522	2460.0-00

SIDE MARKER LIGHT, LEFT REAR, E9021	6314.0-01
SIDE MARKER LIGHT, RIGHT REAR, E9022	6314.0-01
SIDE MEMORY MIRROR, DRIVER'S, Y9	5200.1-07
SIDE MEMORY MIRROR, PASSENGER'S, Y10	5200.1-08
SIDE MIRROR, DRIVER'S, Y5	5116.0-01
SIDE MIRROR, PASSENGER'S, Y6	5116.0-01
SLIP CONTROL (ABS/ASC+T)	3450.2
SLIP CONTROL (ABS)	3450.0
SLIP CONTROL 5 (ASC 5)	3450.5
SLIP CONTROL MODULE (ABS/ASC+T), A9070	3450.2
SLIP CONTROL MODULE (ABS/ASC+T), A9070	3450.5
SLIP CONTROL MODULE (ABS), A7	3450.0
SPEAKER, LEFT REAR, H46	6510.0-03
SPEAKER, RIGHT REAR, H45	6510.0-03
SPEED SENSOR - ABS, LEFT REAR, B4	3450.0-03
SPEED SENSOR - ABS, LEFT REAR, B4	3450.2
SPEED SENSOR - ABS, LEFT REAR, B4	3450.5
SPEED SENSOR - ABS, RIGHT FRONT, B1	3450.0-03
SPEED SENSOR - ABS, RIGHT FRONT, B1	3450.2
SPEED SENSOR - ABS, RIGHT FRONT, B1	3450.5
SPEED SENSOR - ABS, RIGHT REAR, B3	3450.0-03
SPEED SENSOR - ABS, RIGHT REAR, B3	3450.2
SPEED SENSOR - ABS, RIGHT REAR, B3	3450.5
SPLICE LOCATION VIEWS	8000.0
START	1240.0
STARTER, M6510	1240.0-01
STARTER IMMOBILIZATION RELAY, K1w	1240.0-01
STARTER RELAY, K1	1240.0
STEERING ANGLE SENDER, B40	3715.2-01
STEERING COLUMN ADJUSTMENT CONTROL MODULE, A34w	3231.0-00
STEERING COLUMN ANGLE ADJUST MOTOR, M83	3231.0-00
STEERING COLUMN ANGLE ADJUST POTENTIOMETER, R19z	3231.1-00
STEERING COLUMN LENGTH ADJUST MOTOR, M82	3231.0-00
STEERING COLUMN LENGTH ADJUST POTENTIOMETER, R18z	3231.1-00
STEERING COLUMN MEMORY (LSM)	3231.1
STEERING COLUMN MEMORY CONTROL MODULE, A34z	3231.1-00
STEERING COLUMN POSITION SWITCH, S119z	3231.0-00



INDEX

STEERING WHEEL ANGLE SENSOR, R24	3334.0-01
SUN BLIND CONTROL MODULE, A82	5146.0-00
SUN BLIND MOTOR, M74	5146.0-00
SUN BLIND SWITCH, S110	5146.0-00
SUNROOF MODULE, A33	5410.0-01
SUNROOF MOTOR, M24	5410.0-01
SUNROOF SWITCH, S38	5410.0-01
SUPPLEMENTAL RESTRAINT SYSTEM (AIR BAG)	3234.0
SUPPLEMENTAL RESTRAINT SYSTEM CONTROL MODULE, A12	3234.0-00
SUPPRESSION FILTER, C900	6424.0-01
SYMBOLS	0140.0
TAIL LIGHT, LEFT, H25	6314.0-04
TAIL LIGHT, RIGHT, H30	6314.0-04
TELEPHONE TRANSCEIVER, H38	6510.1-00
TEMPERATURE SENSOR, B21z	6210.0-07
TEMPERATURE SWITCH, B6235	1290.0-00
TEMPERATURE SWITCH, S36	6454.0-00
THIGH SUPPORT MOTOR, DRIVER'S, M65	5200.0-02
THIGH SUPPORT MOTOR, PASSENGER'S, M66	5200.0-02
THIGH SUPPORT SWITCH, DRIVER'S, S93	5200.0-02
THIGH SUPPORT SWITCH, PASSENGER'S, S94	5200.0-02
THIGH SUPPORT POTENTIOMETER, R15	5200.1-04
THROTTLE CONTROL MODULE (EML), A6004	1270.1
THROTTLE POSITION SENSOR, R6252	1210.11-07
TRANSMISSION CONTROL MODULE (EGS), A8500	2460.0
TRANSMISSION CONTROL MODULE (EGS), A8500	2460.7
TRANSMISSION POSITION INDICATOR LIGHT, E82	2460.7-02
TRANSMISSION RANGE SELECTOR LEVER LIGHT, S8518	2460.0-02
TRANSMISSION VALVE UNIT, Y8505	2460.0-01
TRANSMISSION VALVE UNIT, Y8505w	2460.7-01
TRUNK LID LIGHT, E33	6320.0-03
TRUNK LID LIGHT, LEFT, E9033	6320.0-03
TRUNK LID LIGHT, RIGHT, E9133	6320.0-03
TRUNK LID LOCKING SWITCH, S117	5126.0-01
TRUNK LID SWITCH, S61	6320.0-03
TRUNK LOCK MOTOR, M17	5126.0-02
TURN/HAZARD LIGHTS	6312.0

TURN LIGHT, LEFT REAR, H6	6313.0-02
TURN LIGHT, RIGHT FRONT, H4	6313.0-02
TURN LIGHT, RIGHT REAR, H5	6313.0-02
UNDERHOOD LIGHT, E20	6314.0-04
UNDERHOOD LIGHT SWITCH, S19	6314.0-04
UNLOADER RELAY, TERMINAL 15, K9	0670.2-04
UNLOADER RELAY, TERMINAL 61, K61	1230.0-00
UNLOADER RELAY, TERMINAL R, K3	0670.2-04
UPPER LEFT TAIL LIGHT, H9025	6314.0-01
UPPER RIGHT TAIL LIGHT, H9030	6314.0-01
VALVE RELAY (ABS/ASC), K95	3450.5-08
VEHICLE SPEED SENSOR, B10	6210.0-08
VENTILATION FLAP MOTOR, LEFT, M38	6450.0-09
VENTILATION FLAP MOTOR, RIGHT, M33	6450.0-08
WARNING LIGHT RELAY, K81	3334.0-00
WASHER FLUID LEVEL SWITCH, S64	6210.0-06
WASHER FLUID LEVEL SWITCH, S136	6210.0-06
WASHER JET HEATER, LEFT, E51	6169.0-00
WASHER JET HEATER, RIGHT, E52	6169.0-00
WASHER PUMP, M4	6160.0-02
WASHER PUMP RELAY, K5	6160.0-02
WATER PUMP IN LUGGAGE COMPARTMENT, M86	6167.0-02
WATER VALVE ASSEMBLY, Y4	6450.0-02
WINDOW LIMIT SWITCH, LEFT REAR, S45	5133.0-04
WINDOW LIMIT SWITCH, RIGHT REAR, S46	5133.0-04
WINDOW MONITORING SWITCH (DWA), DRIVER'S, S100	6575.3-05
WINDOW MONITORING SWITCH (DWA), PASSENGER'S, S99 ..	6575.3-05
WINDOW MONITORING SWITCH (DWA), LEFT REAR, S102 ..	6575.3-05
WINDOW MONITORING SWITCH (DWA), RIGHT REAR, S101 ..	6575.3-05
WINDOW MOTOR, LEFT REAR, M20	5133.0-04
WINDOW MOTOR, RIGHT REAR, M22	5133.0-04
WINDOW SWITCH, S40z	5133.0-00
WINDOW SWITCH, PASSENGER'S, S97	5133.0-02
WINDSHIELD WASHER JET HEATERS	6169.0
WIPER MOTOR, M3	6160.0-01
WIPER PRESSURE CONTROL (ADV) RELAY, K12	6164.0-01
WIPER PRESSURE CONTROL MOTOR (ADV), M6	6164.0-01



INDEX

WIPER RELAY II, K37	6160.0-01
WIPER RELAY I, K36	6160.0-01
WIPER RELAY III, K38	6160.0-01
WIPER/WASHER SWITCH, S5	6160.0-00
ZKE CENTRAL LOCKING (ZV)	5126.0
ZKE DOOR LOCK HEATING (TSH)	5120.0
ZKE HEADLIGHT WASHER (SRA)	6167.0
ZKE INTERIOR LIGHTS CONTROL (IB)	6330.0
ZKE POWER WINDOWS (FH)	5133.0
ZKE SUNROOF (SHD)	5410.0
ZKE WINDSHIELD WIPER PRESSURE CONTROL (ADV)	6164.0
ZKE WIPER/WASHER CONTROL	6160.0

Schematics

The schematics divide the entire vehicle electrical system into individual circuits. Interacting electrical components are shown on one common schematic.

Switches and other components are represented in such a way that their general layout and function are self-explicit. They are arranged on the sheet such that the current path can be followed from positive (top) to negative (bottom).

Important: The components and wires are not drawn to scale. For instance, a lead with a length of over 1m can be shown as a lead that is only a few cm long. To ensure clear arrangement, all connectors, line branches and connected components from the fuses to the component and from the component to ground connection are not shown within the individual cells. If required, reference can be made to cells **0670.3 Fuse Details** and **0670.4 Ground Distribution** where all lines are illustrated with all plug connections, line branches and connected components.

All circuit symbols used are listed and explained in cell **0140.0 Symbols**.

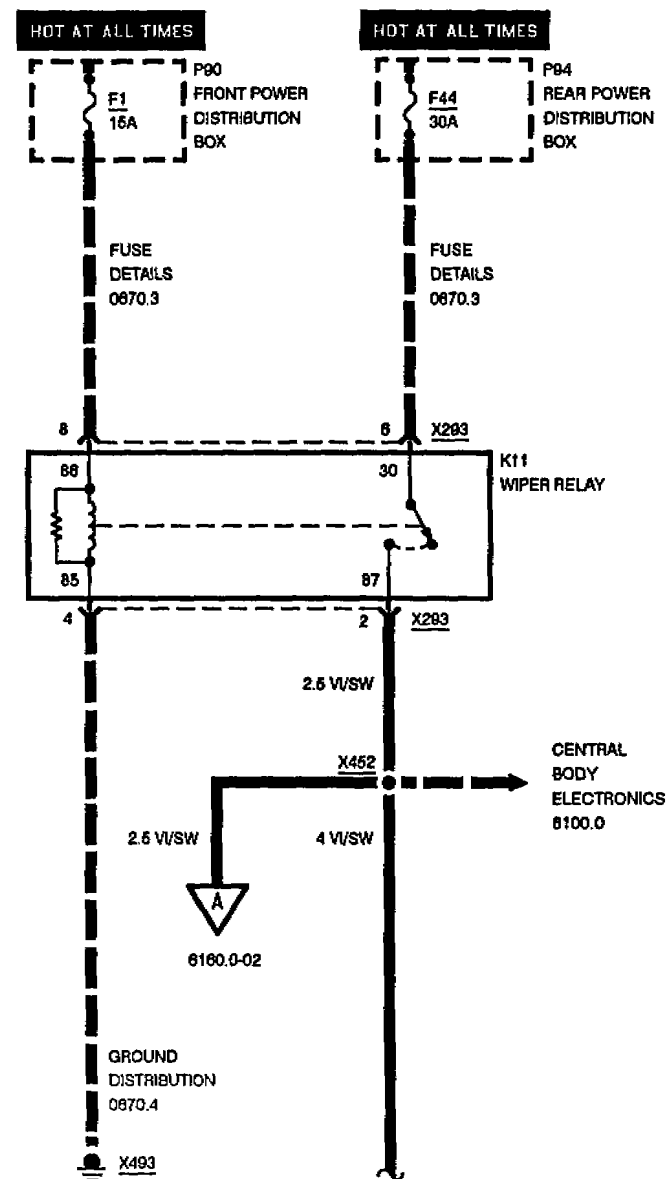
In cell **7000.0 Component Location Chart** all important connectors, ground points and components are listed in tabular form. It provides a precise description of the component locations in the vehicle.

In cell **7100.0 Component Location Views** the location of connectors and components which are difficult to locate are shown in line arts or illustrations. In cell **8500.0 Connector Views** diagrams of connectors with more than 2 pins are illustrated.

Included in this ETM are foldout block diagrams. These are overviews of the entire system (EGS, ABS, AC etc.) which helps understand the relationships between various components and control module of the system being diagnosed.

Example

General conventions can be explained based on the following schematic example.

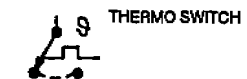
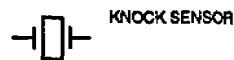
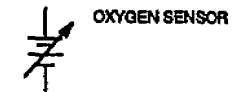
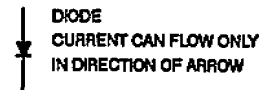
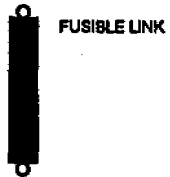
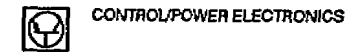
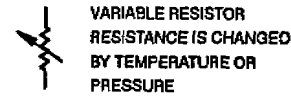
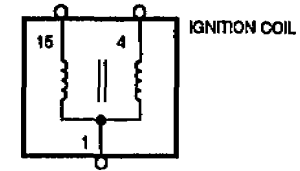
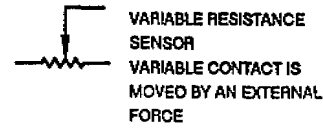
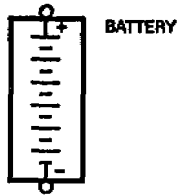




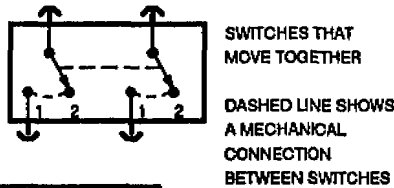
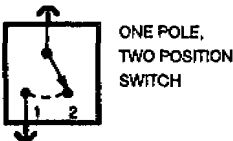
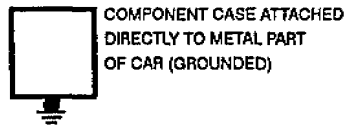
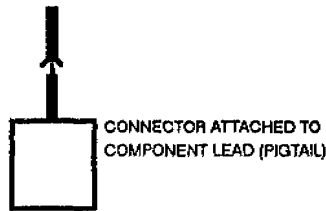
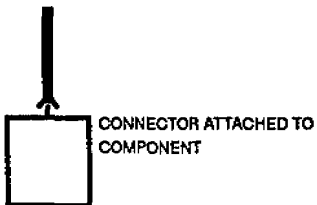
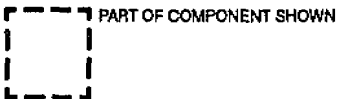
General Conventions

1. Switches and relays are always shown in rest position (e.g. K11).
2. A component shown in a dashed frame signifies that the component is illustrated only in part (e.g. P90 and P91).
3. A component shown in a completely drawn frame signifies that the component is illustrated in full (e.g. K11).
4. The dashed line between pin 8 and pin 6 of connector X293 indicates that both pins belong to connector X293.
5. The dashed line from fuse F1 to pin 8 of connector X293 shows the positive supply of relay K11. If required, refer to cell **0670.3 Fuse Details** at fuse F1 for the complete line progressing with plug connections, line branches, wire colors and cross sections.
6. The dashed line with an arrow at splice X452 indicates that several wires lead to splice X452. All lines leading to the connection are illustrated in cell **6100.0 Central Body Electronics (ZKE)**. An interrupted line with an arrow indicates that only this one wire leads to another circuit.
7. The dashed line from pin 4 of connector X293 to ground X493 shows the ground supply for relay K11. If required, refer to cell **0670.4 Ground Distribution** at ground X493 for the complete line progression with all plug connections, line branches, wire colors and cross sections.
8. The interrupted line from splice X452 with an A in the open arrow is continued on page 6160.0-02. Termination of wire 4 VI/SW from splice X452 with a wavy line indicates that the wire is continued on the opposite page.

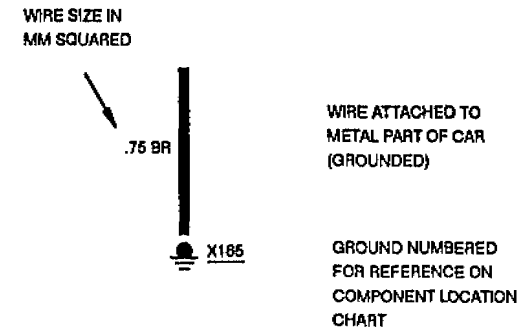
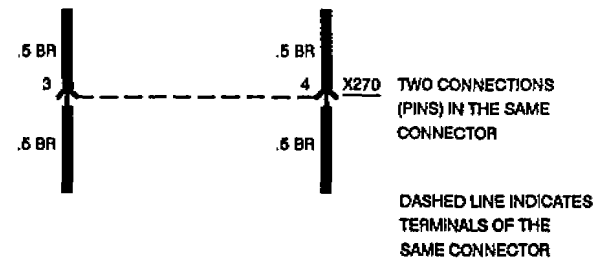
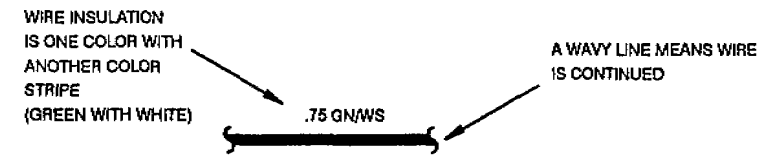
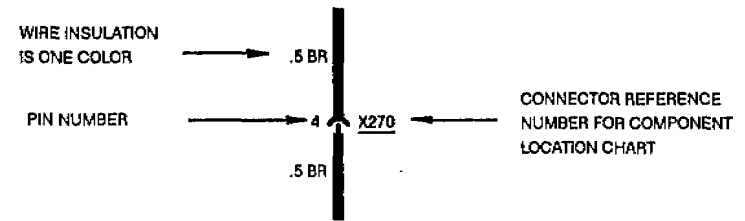
SYMBOLS



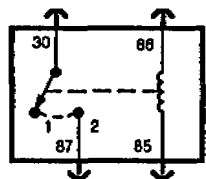
SYMBOLS



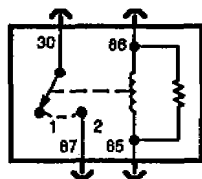
WIRE COLOR	
BL	BLUE
BR	BROWN
GE	YELLOW
GN	GREEN
GR	GRAY
OR	ORANGE
RS	PINK
RT	RED
SW	BLACK
VI	VIOLET
WS	WHITE
TR	TRANSPARENT



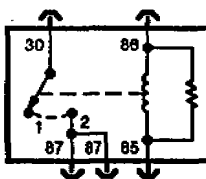
BMW
8 **SYMBOLS**



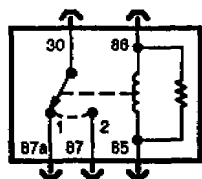
CONTACT RELAY



RELAY WITH RESISTOR ACROSS WINDING

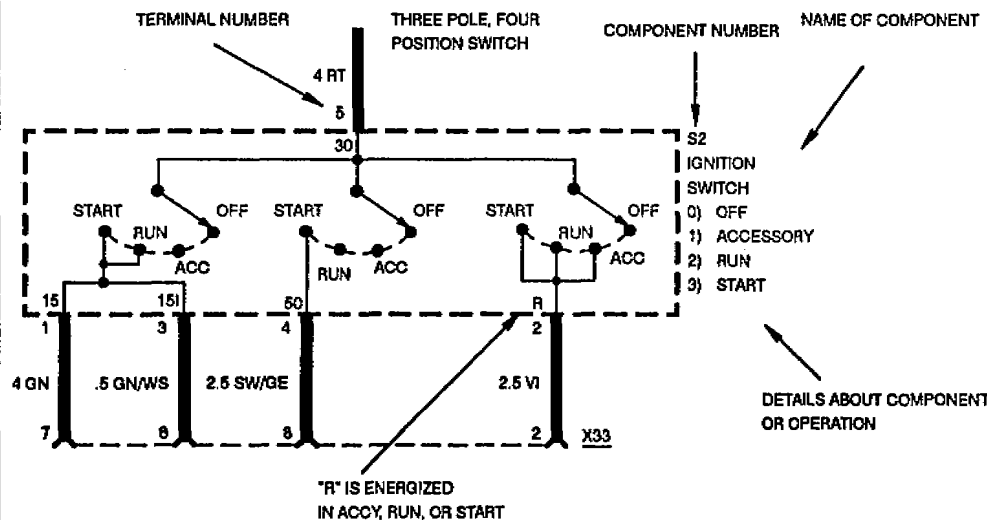


CONTACT RELAY WITH TWO OUTPUTS



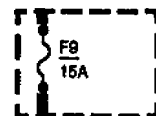
CHANGEOVER RELAY WITH TWO OUTPUTS

TERMINAL NUMBER	DESCRIPTION
30	RELAY INPUT
85	RELAY OUTPUT (WINDING)
86	RELAY INPUT (WINDING)
87	RELAY OUTPUT (ENERGIZED)
87a	RELAY OUTPUT (AT REST)



TERMINAL NUMBER	DESCRIPTION	TERMINAL NUMBER	DESCRIPTION
50	VOLTAGE: IGNITION SWITCH IN START	15i	VOLTAGE: IGNITION SWITCH IN RUN
30	VOLTAGE: SUPPLIED AT ALL TIMES	R	VOLTAGE: IGNITION SWITCH IN ACCESSORY, RUN OR START
15	VOLTAGE: IGNITION SWITCH IN RUN OR START	31	GROUND

HOT AT ALL TIMES



INDICATES THAT FUSE 9 IS SUPPLIED WITH POWER AT ALL TIMES

POWER STATUS

HOT AT ALL TIMES

HOT IN RUN AND START

HOT IN ACCY, RUN AND START

DESCRIPTION

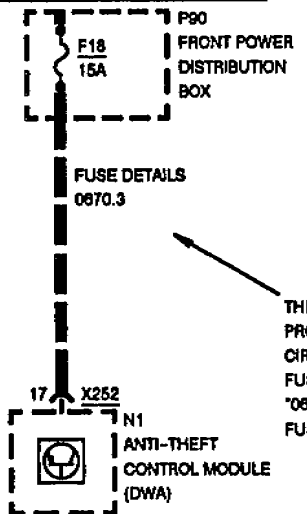
VOLTAGE: SUPPLIED AT ALL TIMES

VOLTAGE: IGNITION SWITCH IN RUN OR START

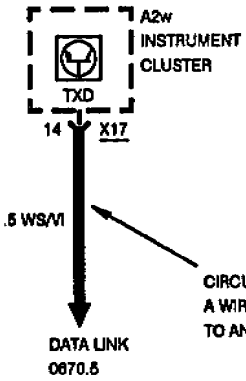
VOLTAGE: IGNITION SWITCH IN ACCESSORY, RUN OR START

SYMBOLS

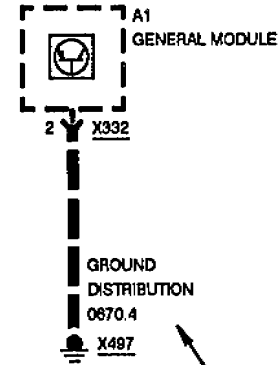
HOT IN ACCY, RUN AND START



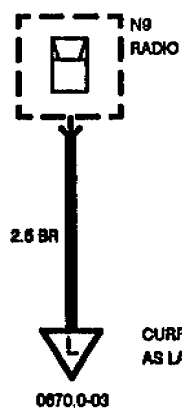
THE COMPLETE WIRE PROGRESSION AND FURTHER CIRCUITS CONNECTED TO FUSE 18 ARE SHOWN IN CELL '0670.3 FUSE DETAILS' AT FUSE 18



CIRCUIT REFERENCE- A WIRE WHICH CONNECTS TO ANOTHER CIRCUIT



THE COMPLETE WIRE PROGRESSION AND FURTHER CIRCUITS CONNECTED TO GROUND X497 ARE SHOWN IN CELL '0670.4 GROUND DISTRIBUTION' AT GROUND X497



CURRENT PATH IS CONTINUED AS LABELED

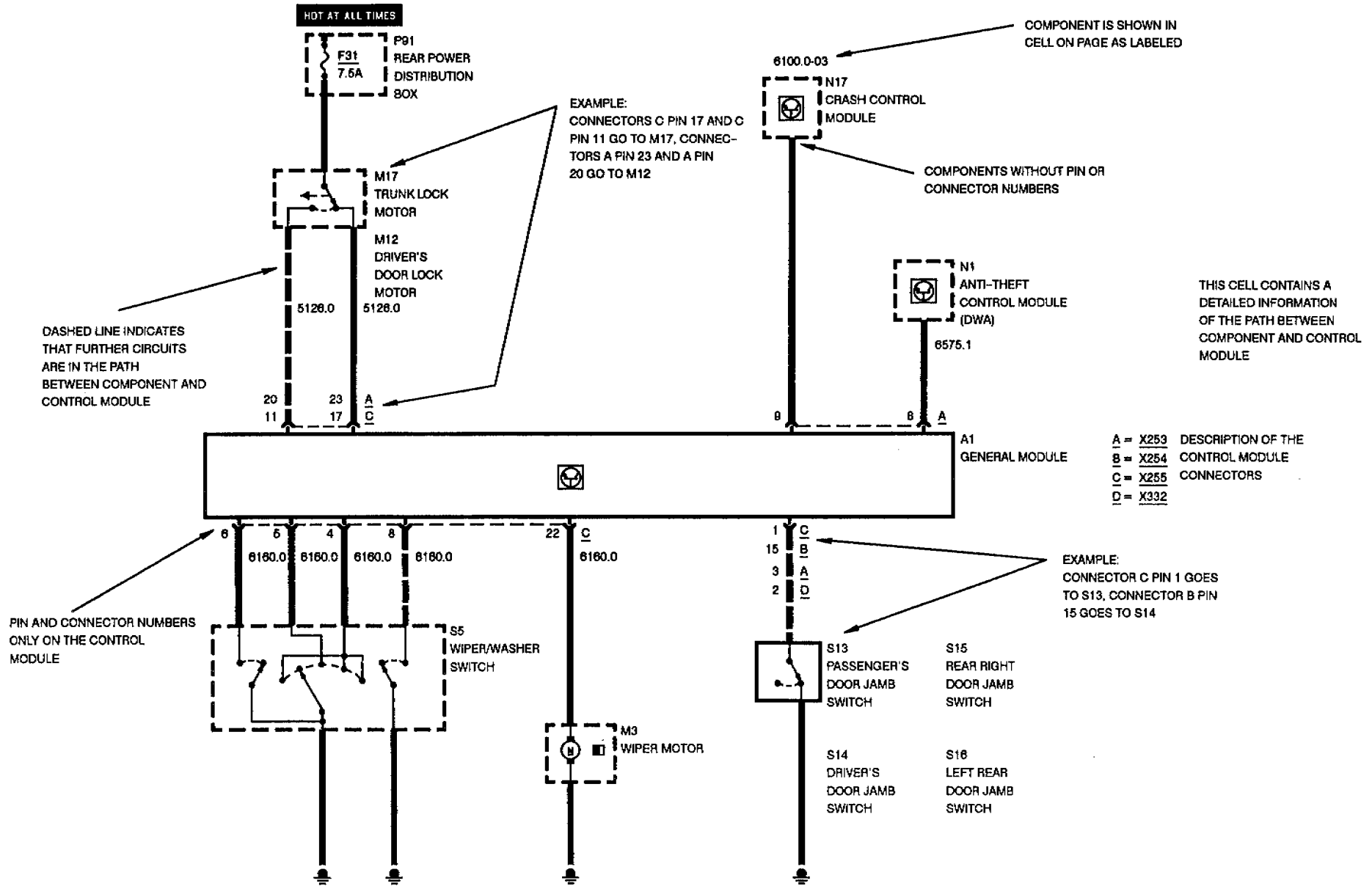


ARROW SHOWS DIRECTION OF CURRENT FLOW AND IS REPEATED WHERE CURRENT PATH CONTINUES



SYMBOLS

BLOCK DIAGRAM



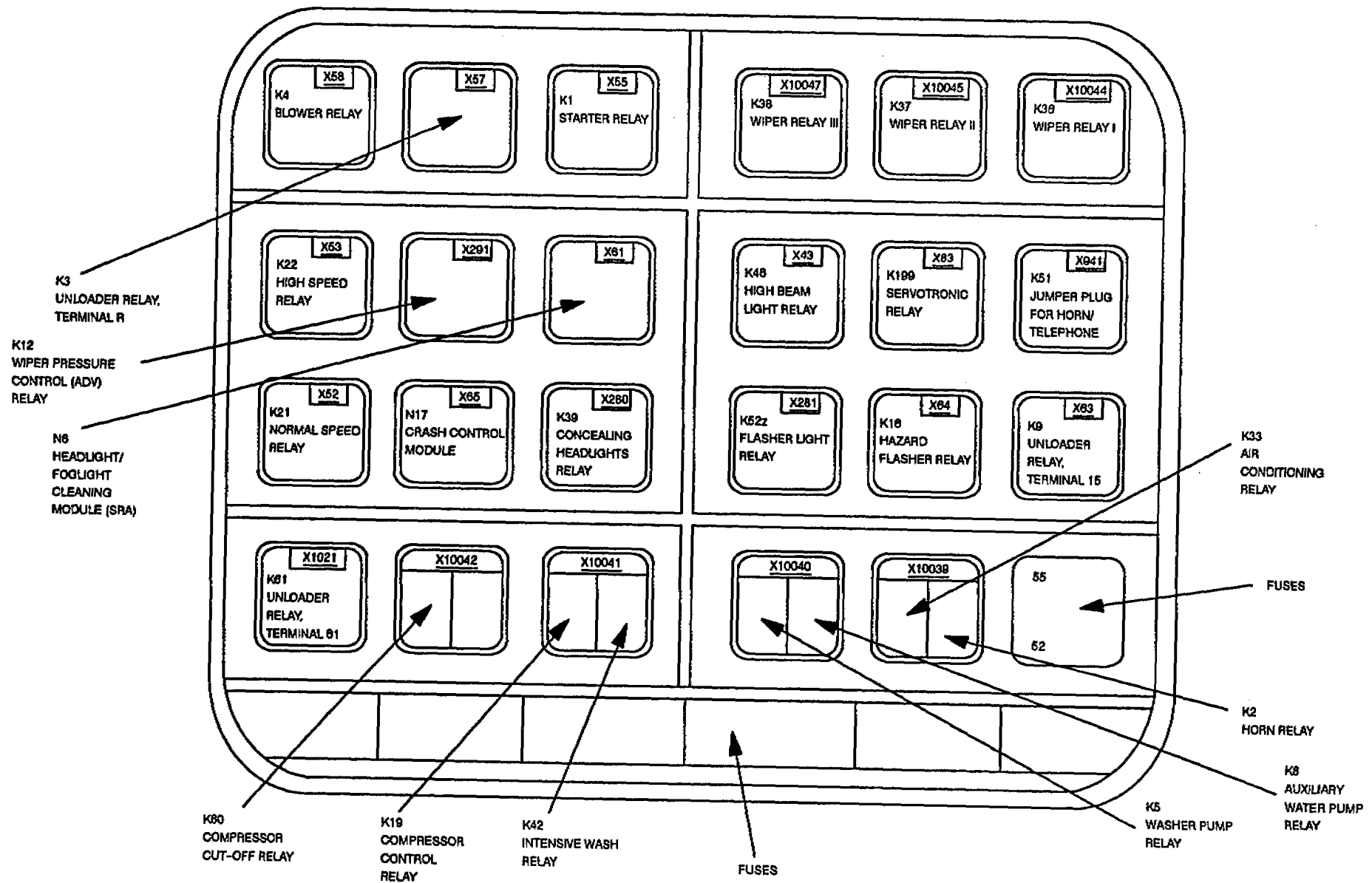
BMW
8

0670.0



POWER DISTRIBUTION CHART

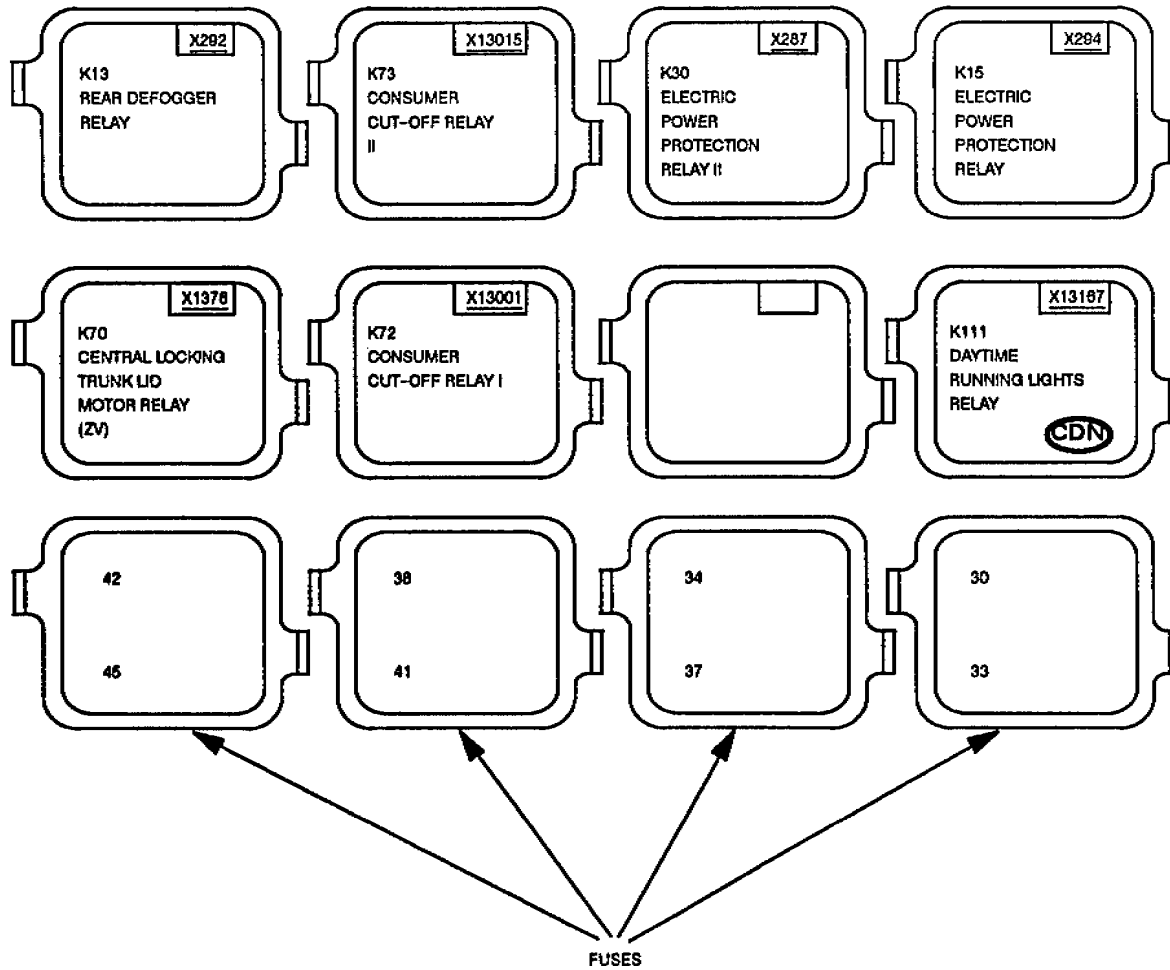
FRONT POWER DISTRIBUTION BOX





POWER DISTRIBUTION CHART

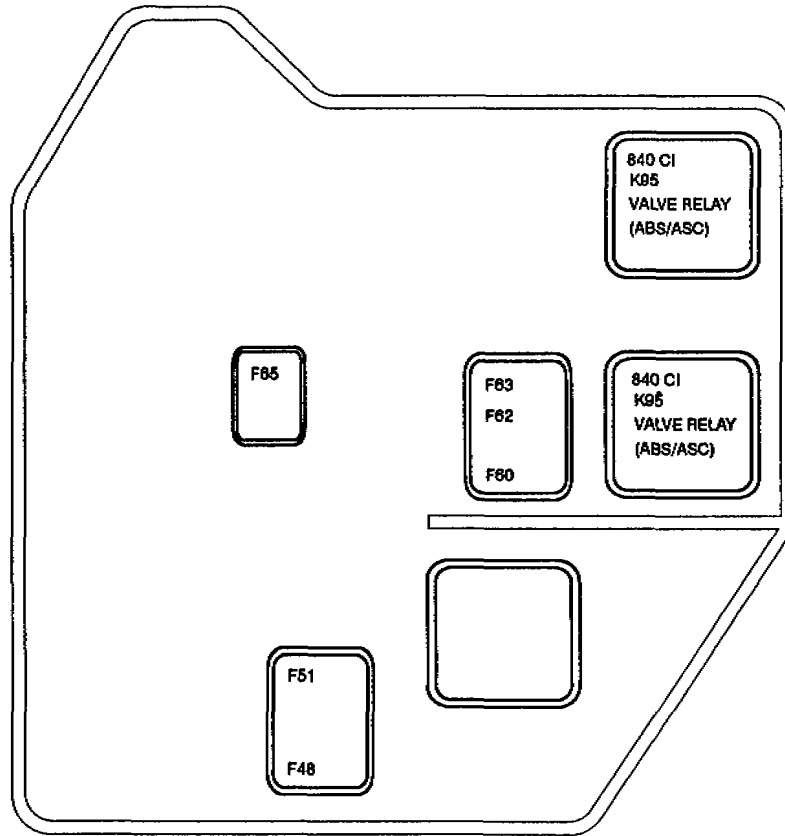
REAR POWER DISTRIBUTION BOX





POWER DISTRIBUTION CHART

AUXILIARY RELAY BOX - ENGINE COMPARTMENT



BMW
8

0670.1



FUSE CHART

CELLS OVERVIEW

0670.5	DATA LINK
	F28
1210.6	ENGINE CONTROL SYSTEM (DME M1.7, 12-CYLINDER M70)
	F12, F23, F24, F28
1210.11	ENGINE CONTROL SYSTEM (DME M3.3, 8-CYLINDER M60)
	F60, F23, F25
1230.0	CHARGING SYSTEM
	F17
1240.0	START
	F12, F17
1270.1	ELECTRONIC THROTTLE CONTROL (EML 12-CYLINDER)
	F1, F8, F12
1290.0	E-BOX FAN
2460.0	ELECTRONIC TRANSMISSION CONTROL (EGS 4HP-24)
	F8, F12
2460.7	ELECTRONIC TRANSMISSION CONTROL (EGS: GS 9.20/ A5S 560Z)
	F8, F12, F17
3231.0	ELECTRIC STEERING COLUMN ADJUSTMENT
	F40

FUSES OVERVIEW

F1	1270.1, 6160.0, 6211.0, 6412.2, 6450.0
7.5A	
F2	6167.0, 6300.0, 6301.0, 6312.0, 6314.0, 6320.0, 6332.0
7.5A	
F3	6300.0, 6301.0, 6312.0, 6313.0, 6314.0, 6320.0, 6325.0, 6332.0
7.5A	
F4	6300.0, 6301.0, 6314.0, 6320.0, 6332.0
7.5A	
F5	6300.0, 6301.0, 6312.0, 6314.0, 6320.0, 6332.0
10A	
F6	6313.0, 6350.0
15A	
F7	6301.0, 6312.0
30A	
F8	1270.1, 2460.0, 3450.2, 6301.0, 6325.0
7.5A	2460.7, 3450.0, 6571.0
F9	6133.0, 6164.0, 6301.0, 6312.0, 6561.0
20A	
F10	6301.0, 6312.0
7.5A	
F11	6301.0, 6312.0
7.5A	
F12	1210.6, 1240.0, 1270.1, 2460.0, 5116.0, 5200.1, 6169.0, 6210.0, 6211.0
15A	2460.7, 6571.0
F13	6312.0
7.5A	
F14	6312.0
7.5A	
F15	5410.0, 6100.0, 6160.0, 6164.0, 6167.0, 6330.0
10A	



FUSE CHART

CELLS OVERVIEW

3231.1	STEERING COLUMN MEMORY (LSM)
	F16, F18, F40
3234.0	SUPPLEMENTAL RESTRAINT SYSTEM (AIR BAG)
	F53, F54
3240.0	POWER ASSIST STEERING (SERVOTRONIC)
	F28
3334.0	ACTIVE REAR AXLE KINEMATICS (AHK)
	F17, F29, F31
3450.0	SLIP CONTROL (ABS)
	F8, F17, F60
3450.2	SLIP CONTROL (ABS/ASC+T)
	F8, F17, F60, F62, F65
3450.5	SLIP CONTROL 5 (ASC 5)
	F8, F17, F60, F62, F63, F65
3715.2	ELECTRONIC SHOCK ABSORBER CONTROL (EDC III+)
	F29, F32
5116.0	POWER MIRRORS
	F12, F17, F18
5120.0	ZKE DOOR LOCK HEATING (TSH)
	F43

FUSES OVERVIEW

F16	3231.1, 5200.1, 5203.0
20A	
F17	1230.0, 3334.0, 3450.2, 5116.0, 5200.1, 6210.0, 6211.0, 6322.0, 6581.0, 6575.3
7.5A	1240.0, 2460.7, 3450.0, 3450.5
F18	3231.1, 5116.0, 5146.0, 5200.1, 6332.0, 6510.1, 6561.0, 6581.0, 6210.0, 6211.0,
7.5A	6575.3, 6610.1
F19	6412.2, 6450.0
30A	
F20	6301.0, 6312.0
30A	
F21	6412.2, 6424.0, 6450.0
7.5A	
F22	6160.0
30A	
F23	1210.6, 1210.11
15A	
F24	1210.6
15A	
F25	1210.11, 6454.0
30A	
F26	6312.0
15A	
F27	6167.0
30A	
F28	1210.6, 3240.0, 0670.5
15A	
F29	3715.2, 5133.0, 5410.0, 6100.0, 6160.0, 6164.0, 6167.0, 6450.0, 6454.0, 3334.0
7.5A	
F30	6561.0
15A	



FUSE CHART

CELLS OVERVIEW

5126.0	ZKE CENTRAL LOCKING (ZV)
	F31, F33, F34, F42, F43
5133.0	ZKE POWER WINDOWS (FH)
	F29, F31, F33, F34, F42, F43
5146.0	POWER SUN SHADES
	F18, F32
5200.0	POWER SEATS
	F37, F38
5200.1	SEAT/MIRROR MEMORY SYSTEM (SM/SPM)
	F12, F16, F17, F18, F37
5203.0	HEATED SEATS
	F16
5212.0	LUMBAR SUPPORT
	F37, F38
5410.0	ZKE SUNROOF (SHD)
	F15, F29, F31, F33, F34, F42, F43
6100.0	CENTRAL BODY ELECTRONICS (ZKE II)
	F15, F29, F31, F33, F34, F42, F43
6133.0	HORN
	F9

FUSES OVERVIEW

F31	5126.0, 5133.0, 5410.0, 6100.0, 6160.0, 6210.0, 6211.0, 6575.3, 6581.0, 6610.1
7.5A	
F32	3715.2, 5146.0
20A	
F33	5126.0, 5133.0, 5410.0, 6100.0, 6160.0, 6210.0, 6320.0, 6330.0, 6332.0
7.5A	
F34	5126.0, 5133.0, 5410.0, 6100.0, 6160.0
30A	
F35	3334.0
15A	
F36	6510.1
15A	
F37	5200.0, 5200.1, 5212.0
30A	
F38	5200.0, 5212.0
30A	
F39	6332.0
30A	
F40	3231.0, 3231.1
15A	
F41	6424.0
30A	
F42	5126.0, 5133.0, 5410.0, 6100.0, 6160.0
30A	
F43	5120.0, 5126.0, 5133.0, 5410.0, 6100.0, 6160.0, 6330.0
10A	



FUSE CHART

CELLS OVERVIEW

6160.0	ZKE WIPER/WASHER CONTROL
	F1, F15, F22, F29, F31, F33, F34, F42, F43
6164.0	ZKE WINDSHIELD WIPER PRESSURE CONTROL (ADV)
	F9, F15, F29
6167.0	ZKE HEADLIGHT WASHER (SRA)
	F2, F15, F27, F29
6169.0	WINDSHIELD WASHER JET HEATERS
	F12
6210.0	BODY ELECTRONICS MODULE (EKM)
	F12, F17, F18, F31, F33
6211.0	INSTRUMENT CLUSTER
	F1, F12, F17, F18, F31, F55
6300.0	LIGHT SWITCH DETAILS
	F2, F3, F4, F5
6301.0	LAMP MONITOR (LKM)
	F2, F3, F4, F6, F7, F8, F9, F10, F11
6312.0	HEADLIGHTS/ FOG LIGHTS
	F2, F3, F5, F7, F9, F10, F11, F13, F14, F20, F26
6313.0	TURN/HAZARD LIGHTS
	F3, F8

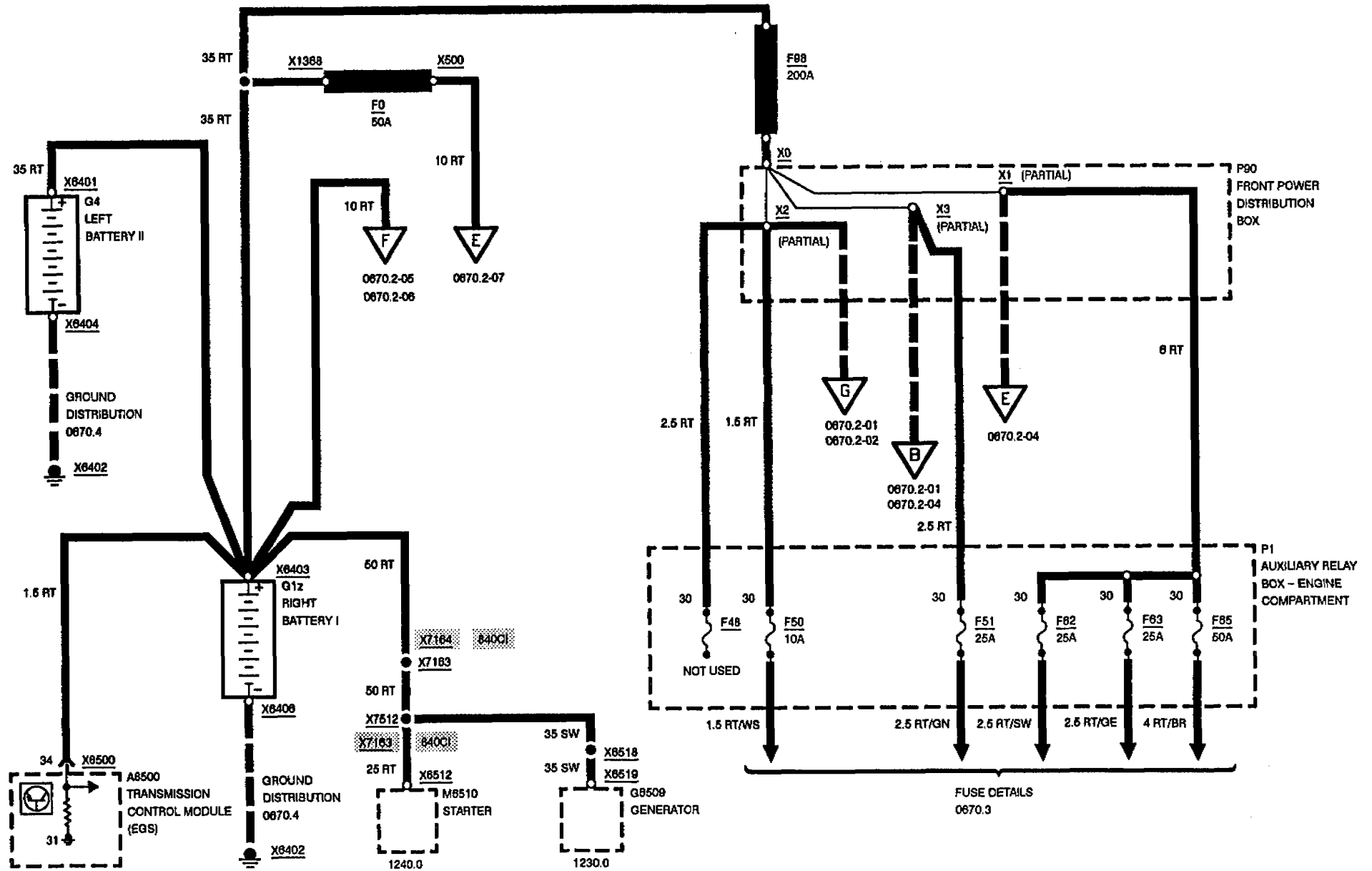
FUSES OVERVIEW

F54	3234.0
5A	
F55	3234.0, 6211.0
5A	
F60	1210.11, 2460.0, 3450.0, 3450.2, 3450.5
10A	



POWER DISTRIBUTION

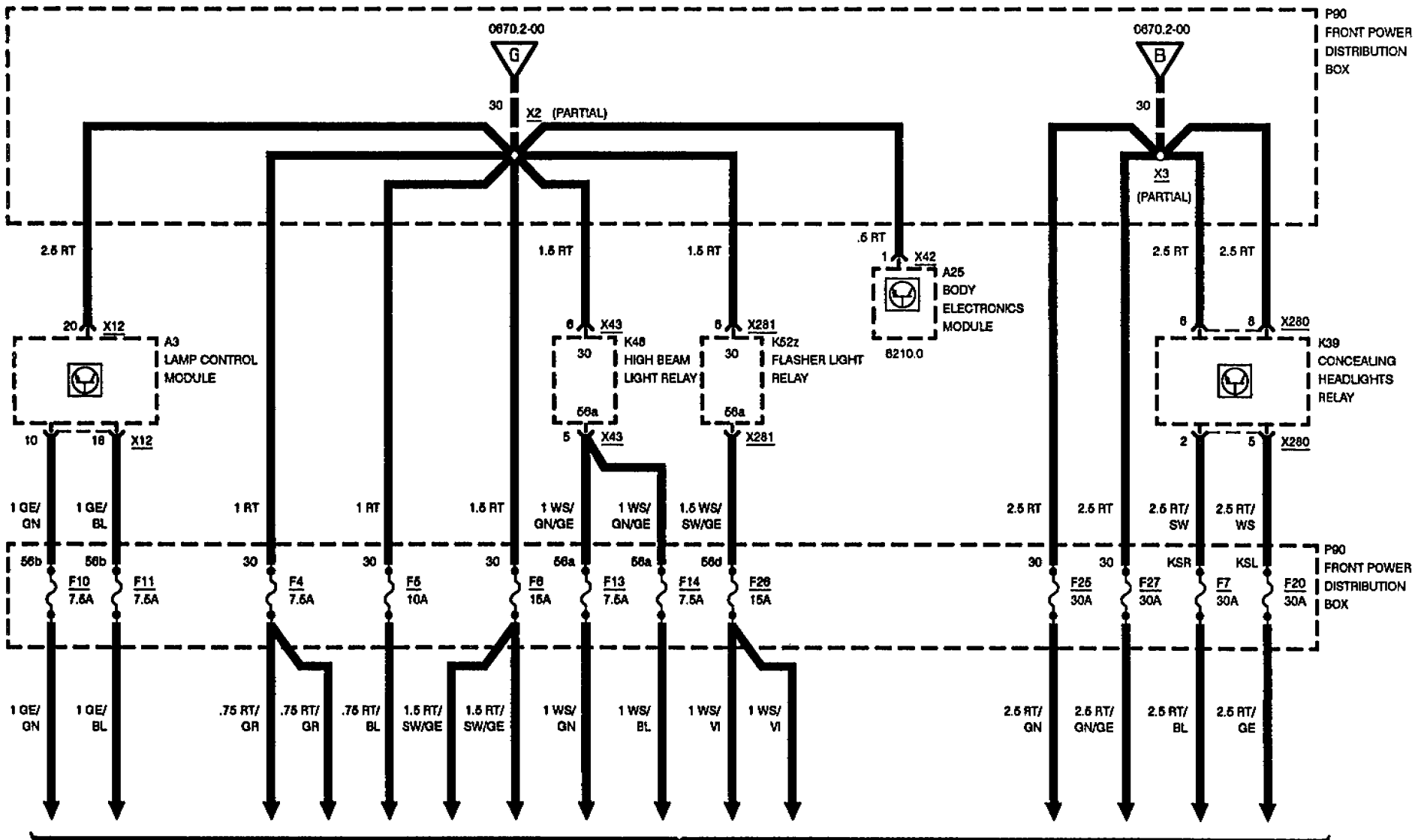
FRONT POWER DISTRIBUTION BOX





POWER DISTRIBUTION

FRONT POWER DISTRIBUTION BOX



FUSE DETAILS
0670.3

09/93

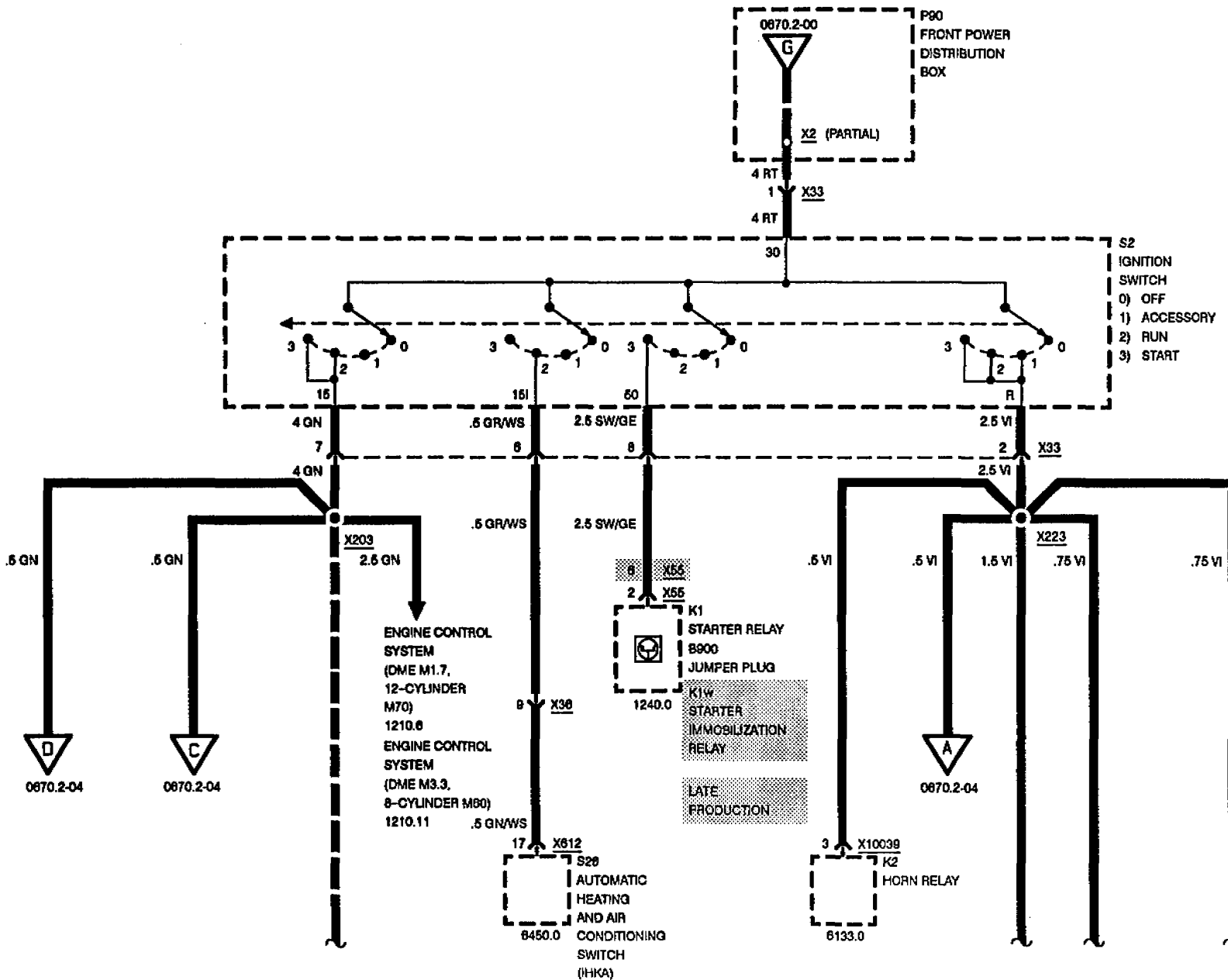
0670.2-01

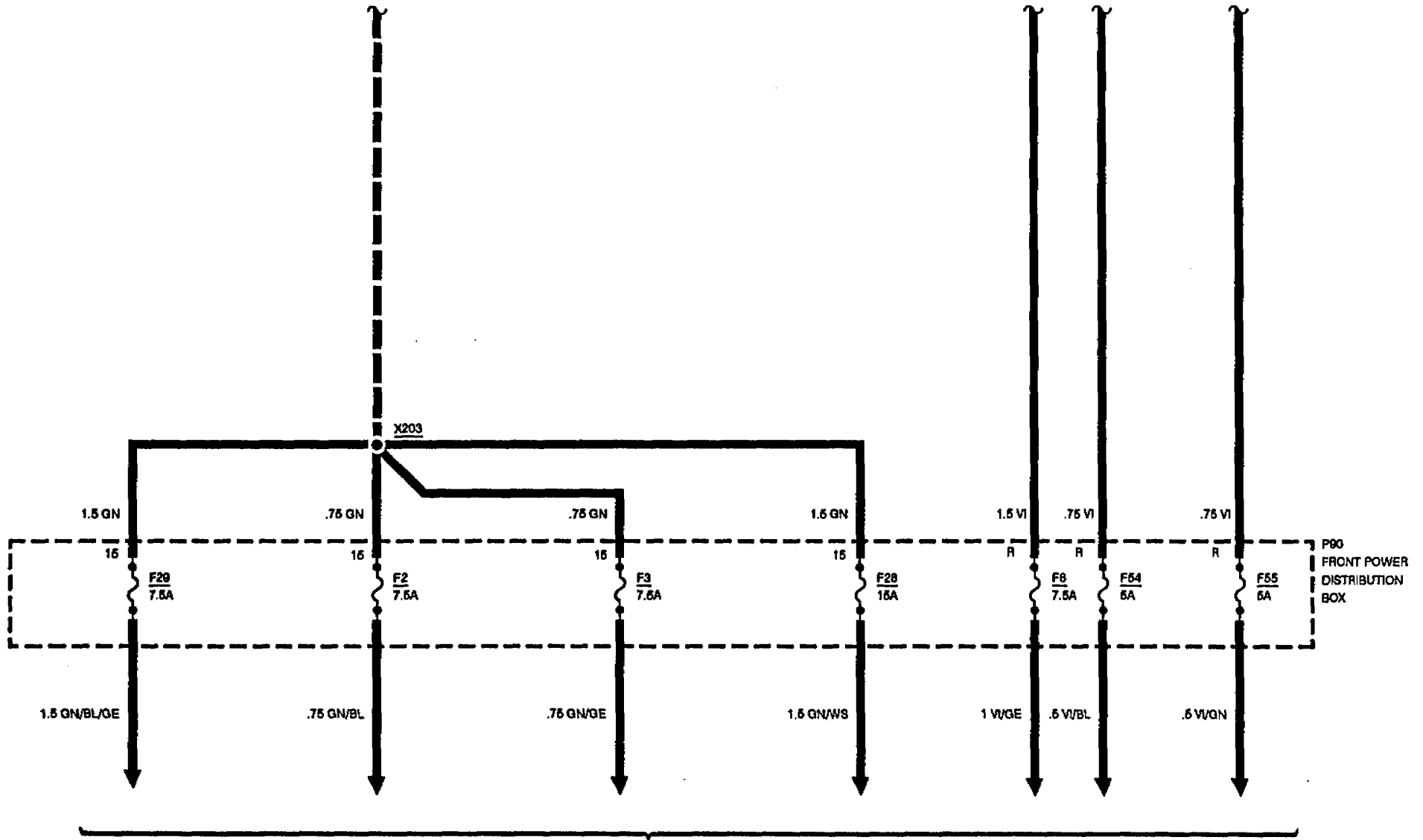
1994



POWER DISTRIBUTION

FRONT POWER DISTRIBUTION BOX



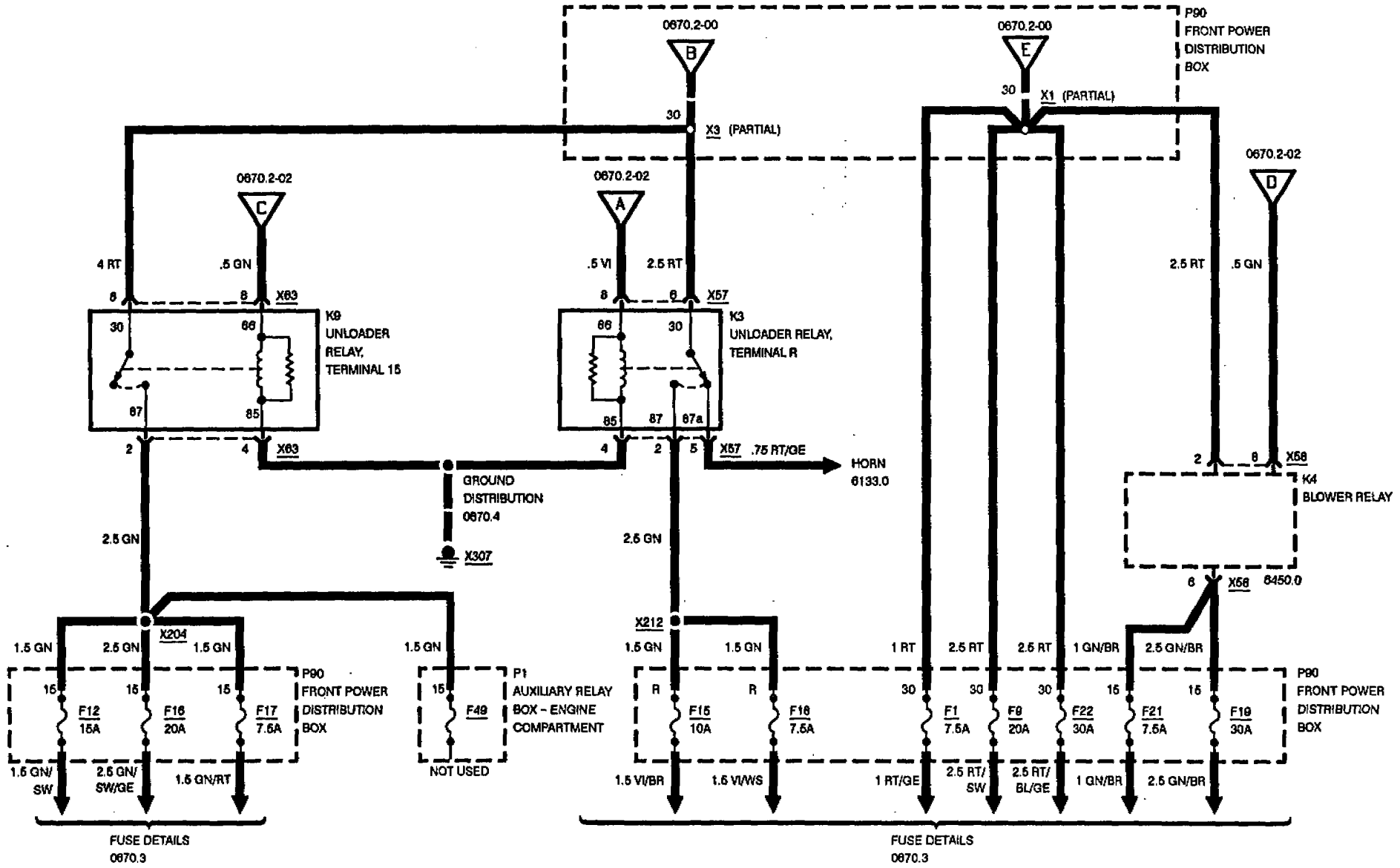


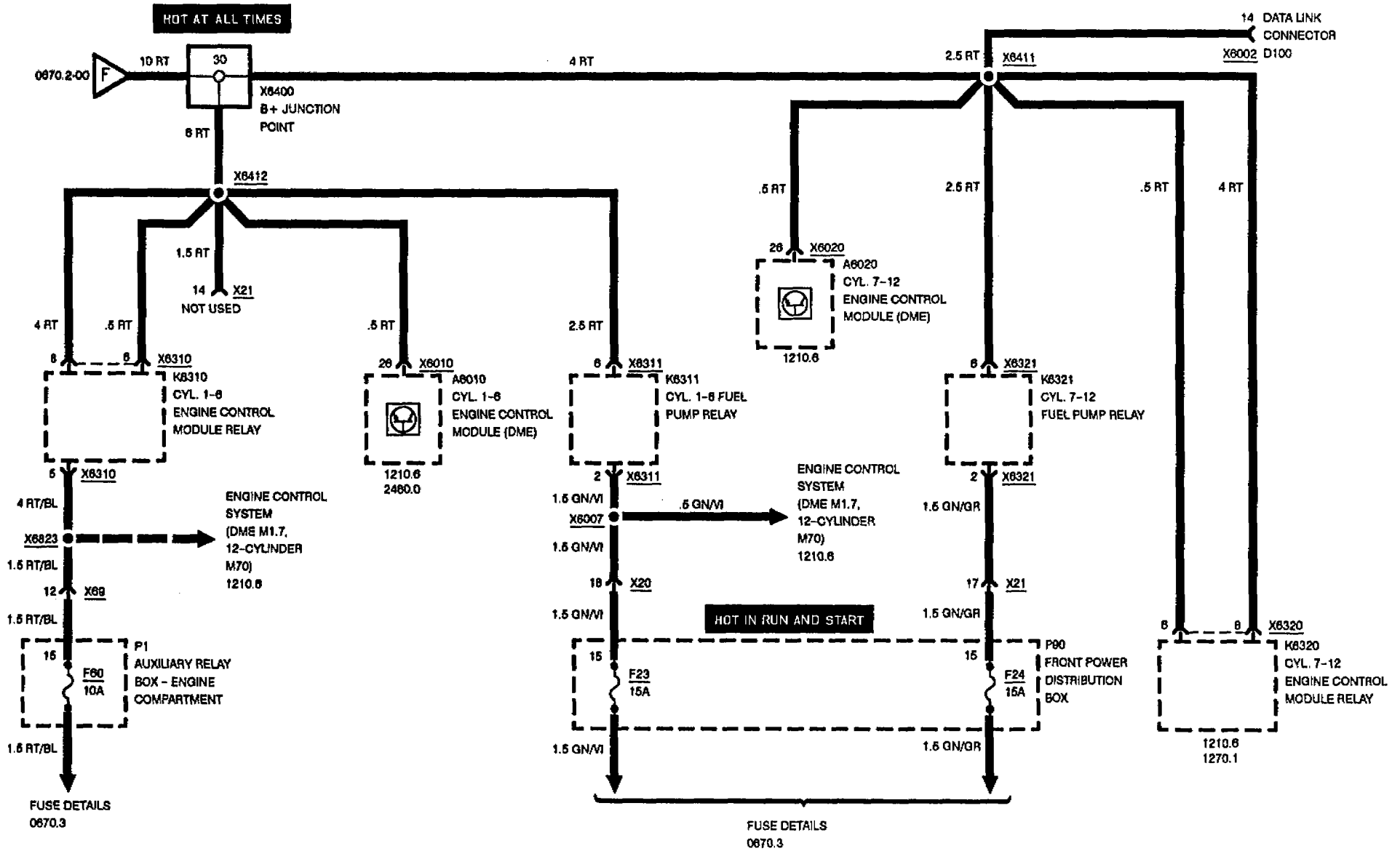
FUSE DETAILS
0670.3



POWER DISTRIBUTION

FRONT POWER DISTRIBUTION BOX

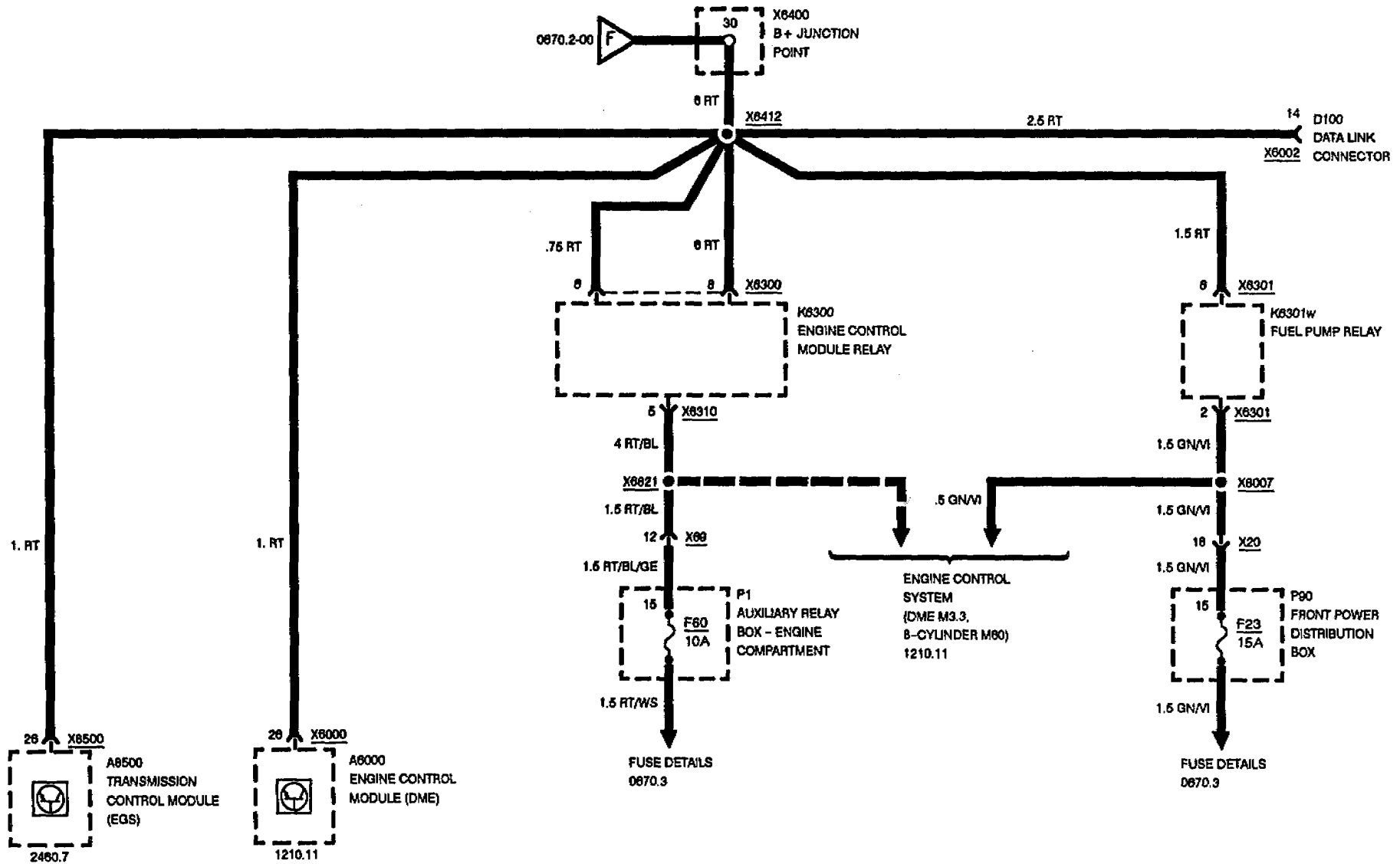






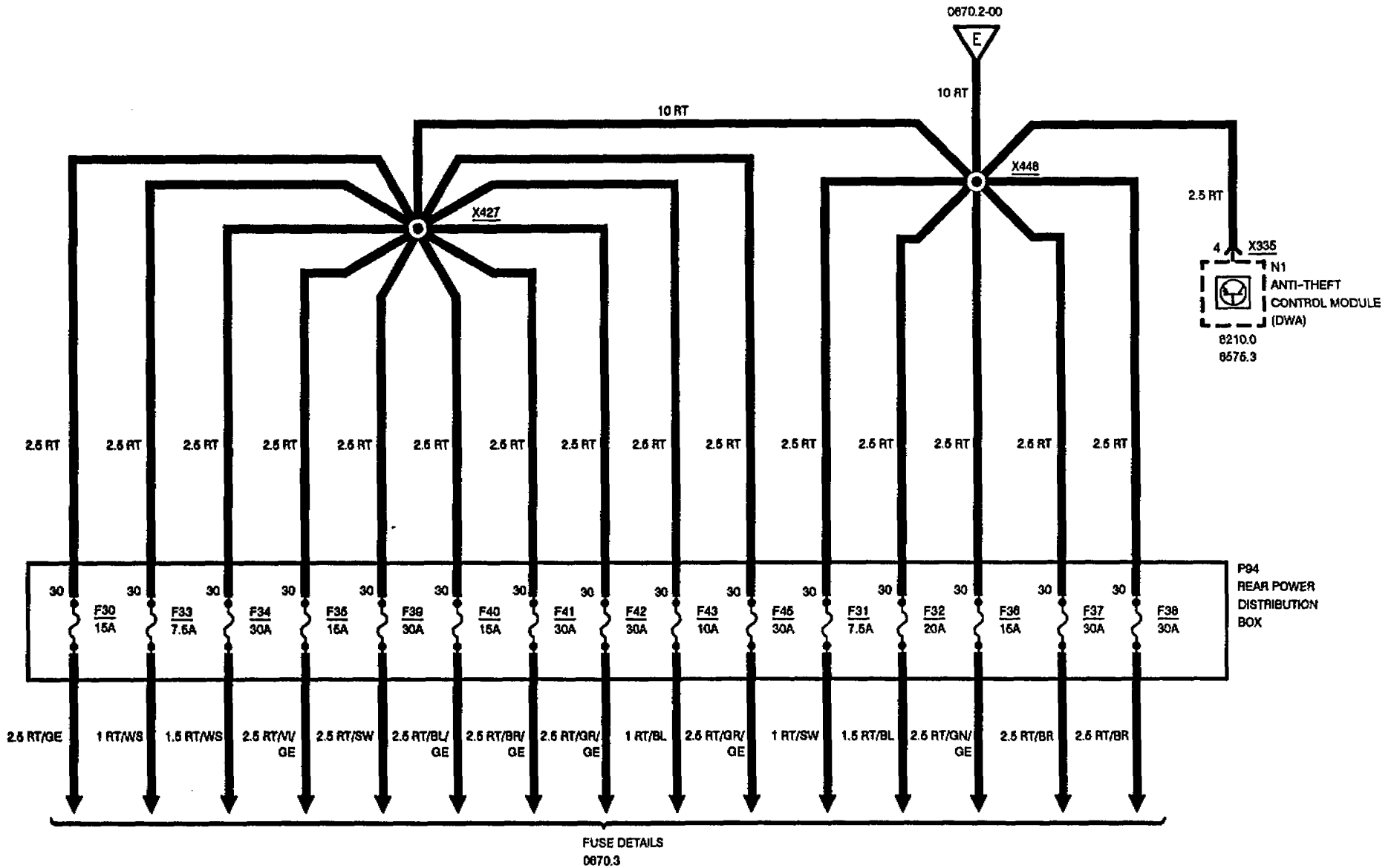
POWER DISTRIBUTION

840Ci





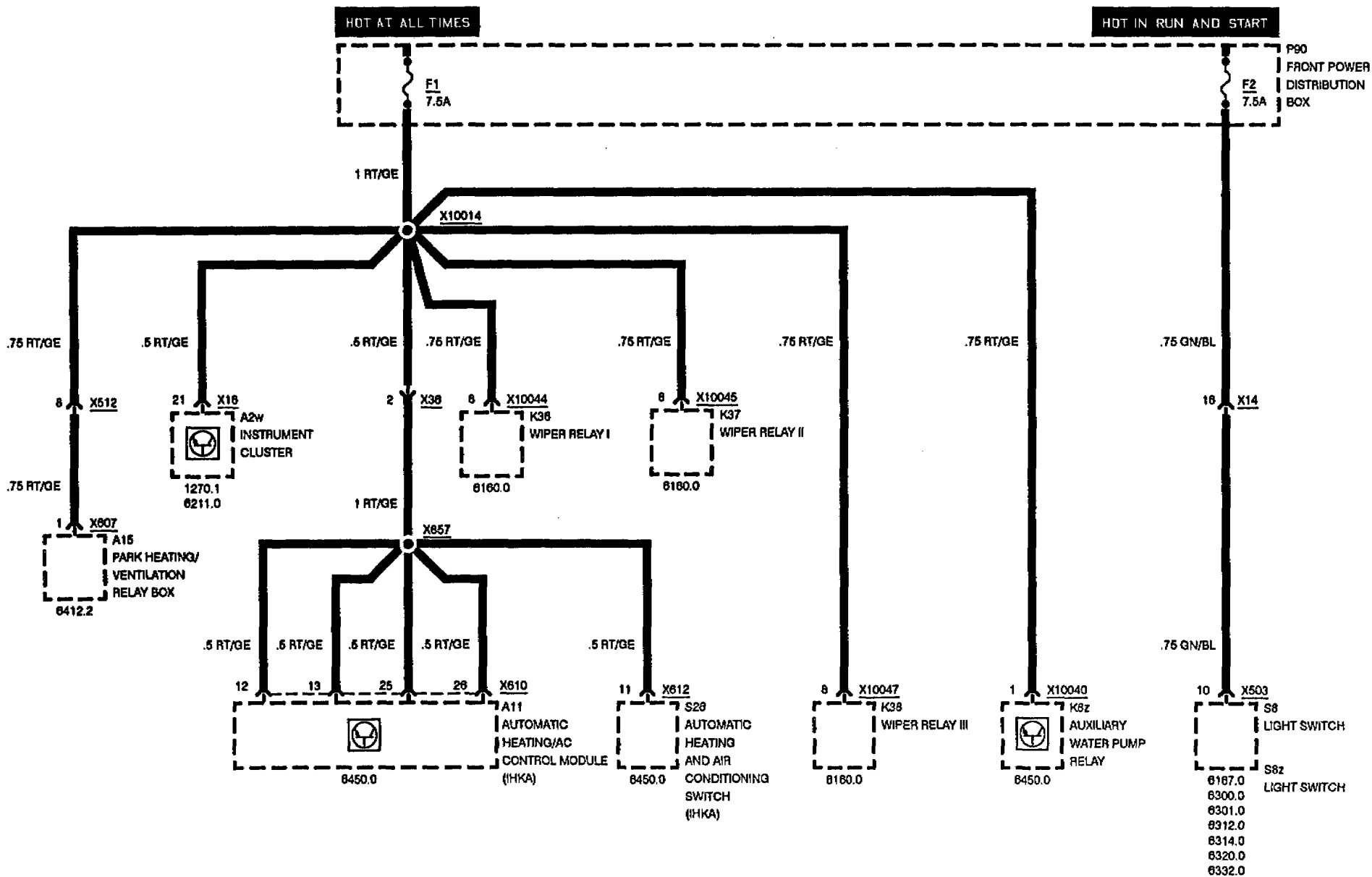
POWER DISTRIBUTION





FUSE DETAILS

FUSES 1 AND 2



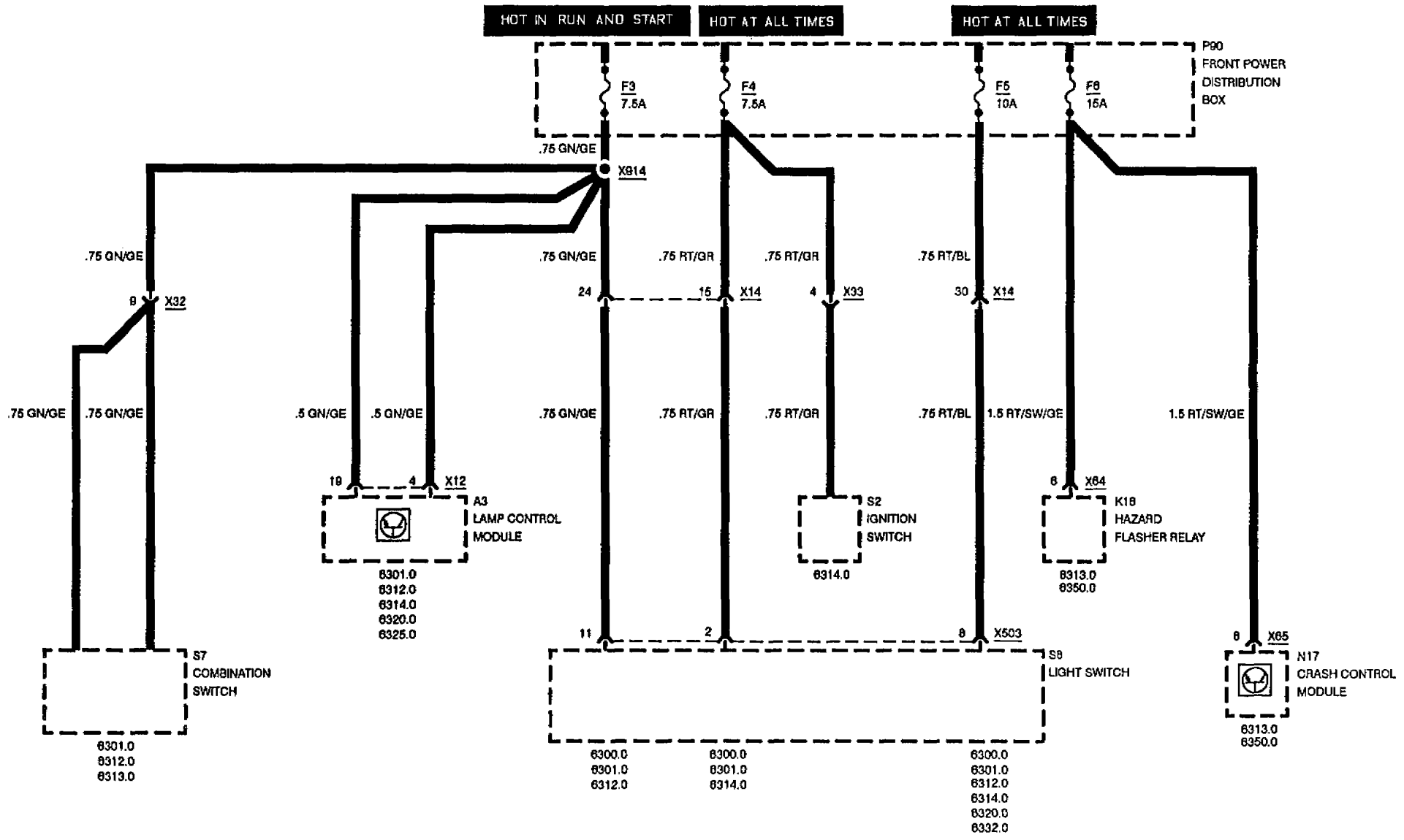
09/93

0670.3-00

1994

BMW
8 **FUSE DETAILS**
FUSES 3, 4, 5, AND 6

USA



09/93

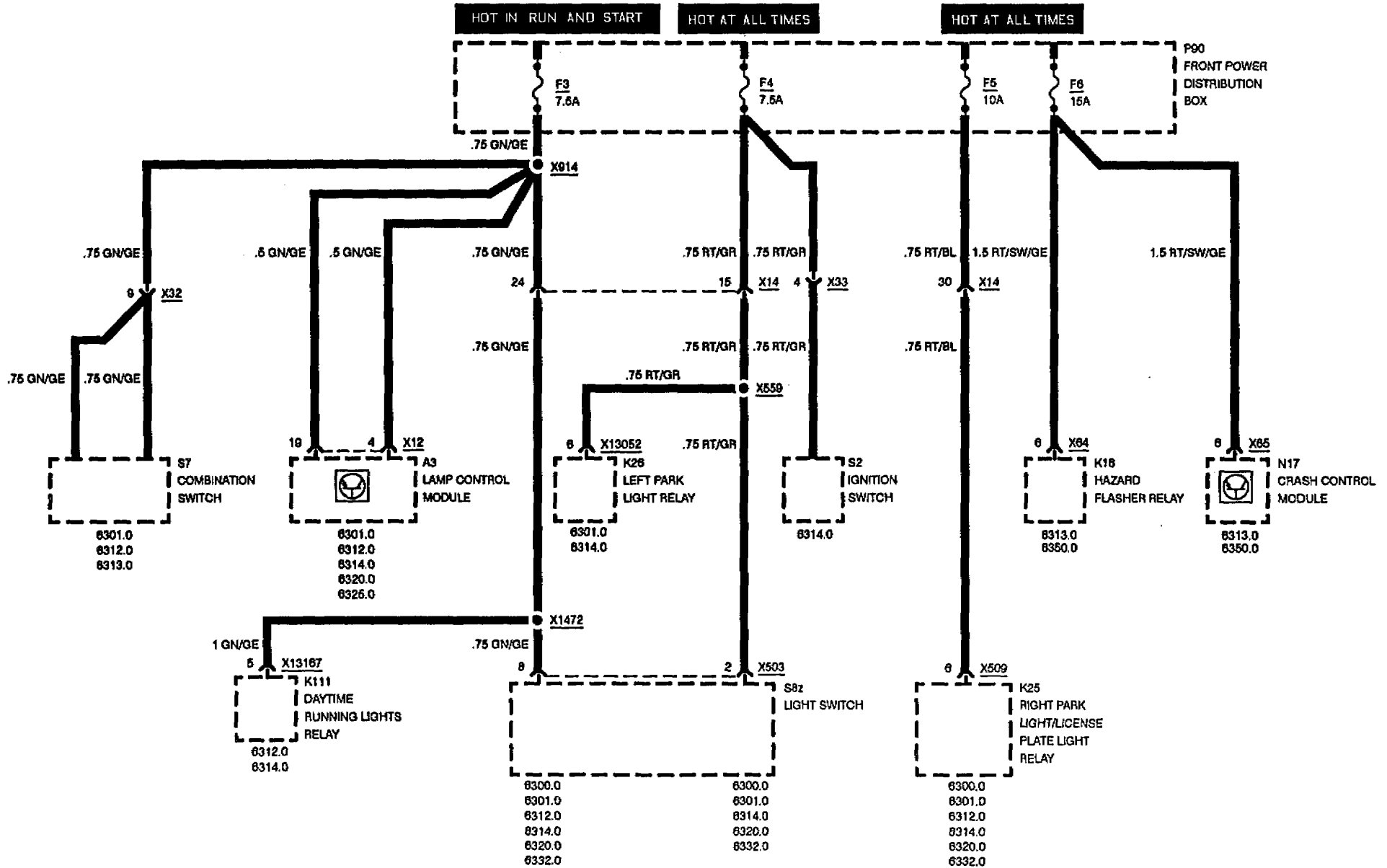
0670.3-01

1994



FUSE DETAILS

FUSES 3, 4, 5, AND 6



09/93

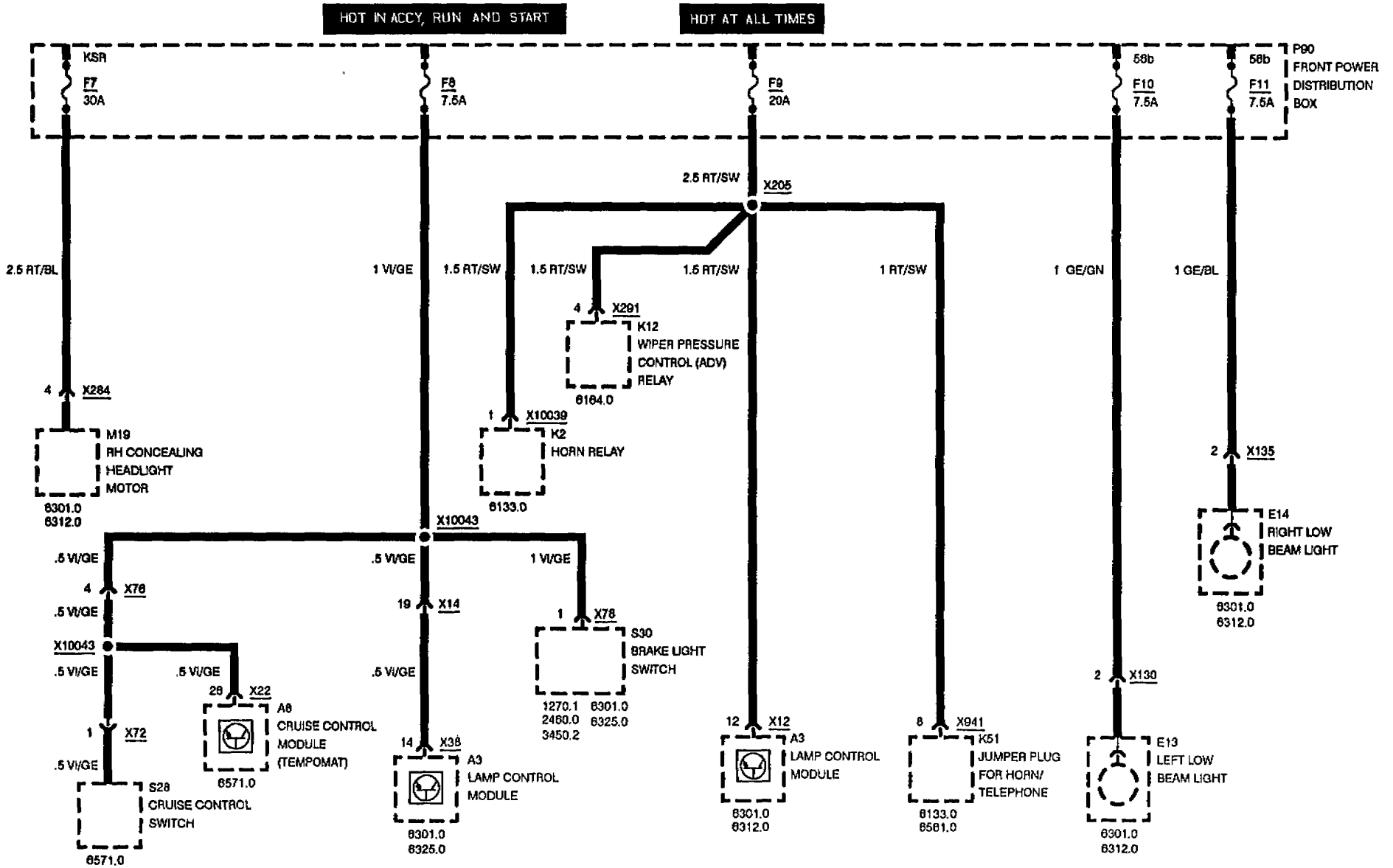
0670.3-02

1994



FUSE DETAILS

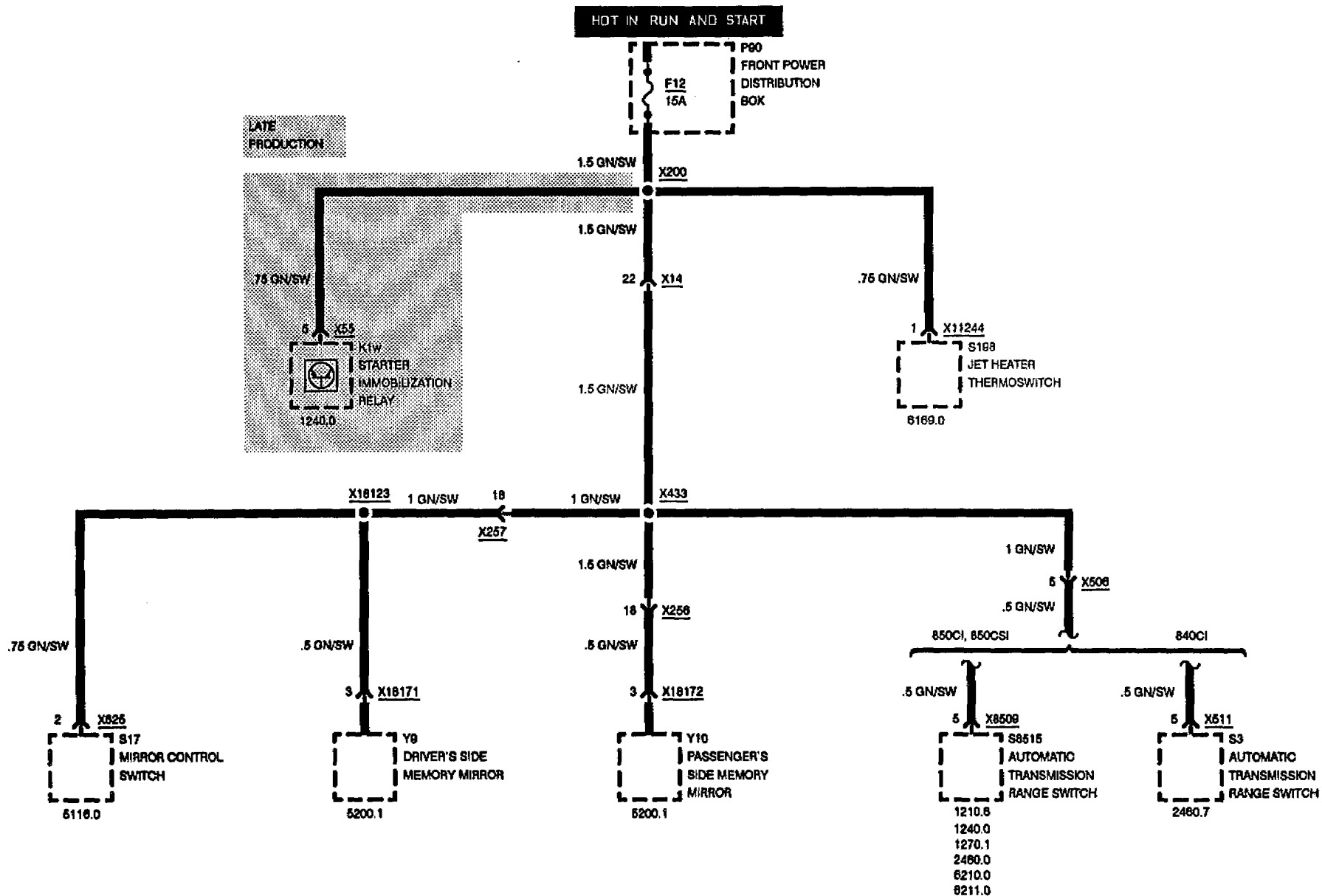
FUSES 7, 8, 9, 10, AND 11





FUSE DETAILS

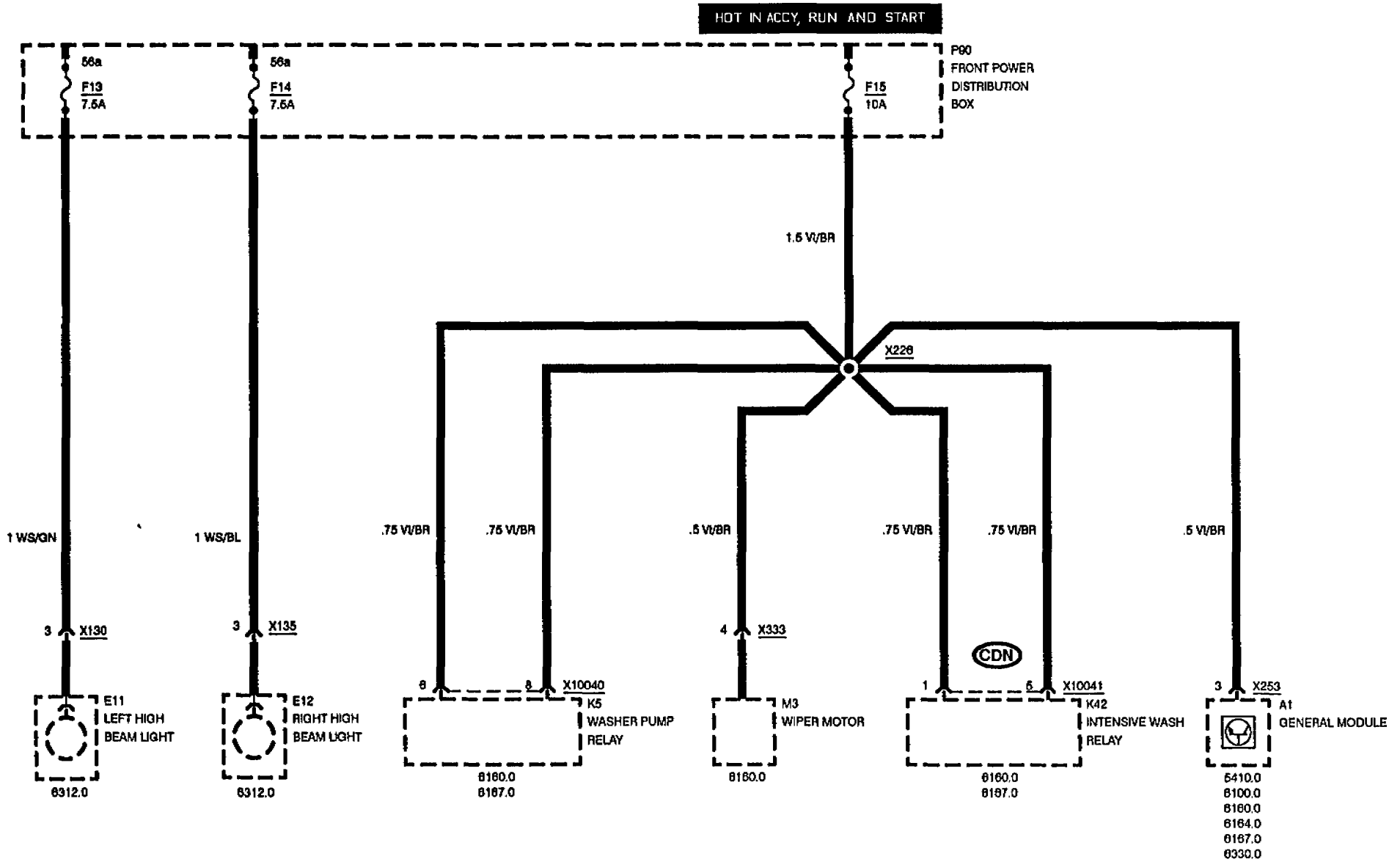
FUSE 12





FUSE DETAILS

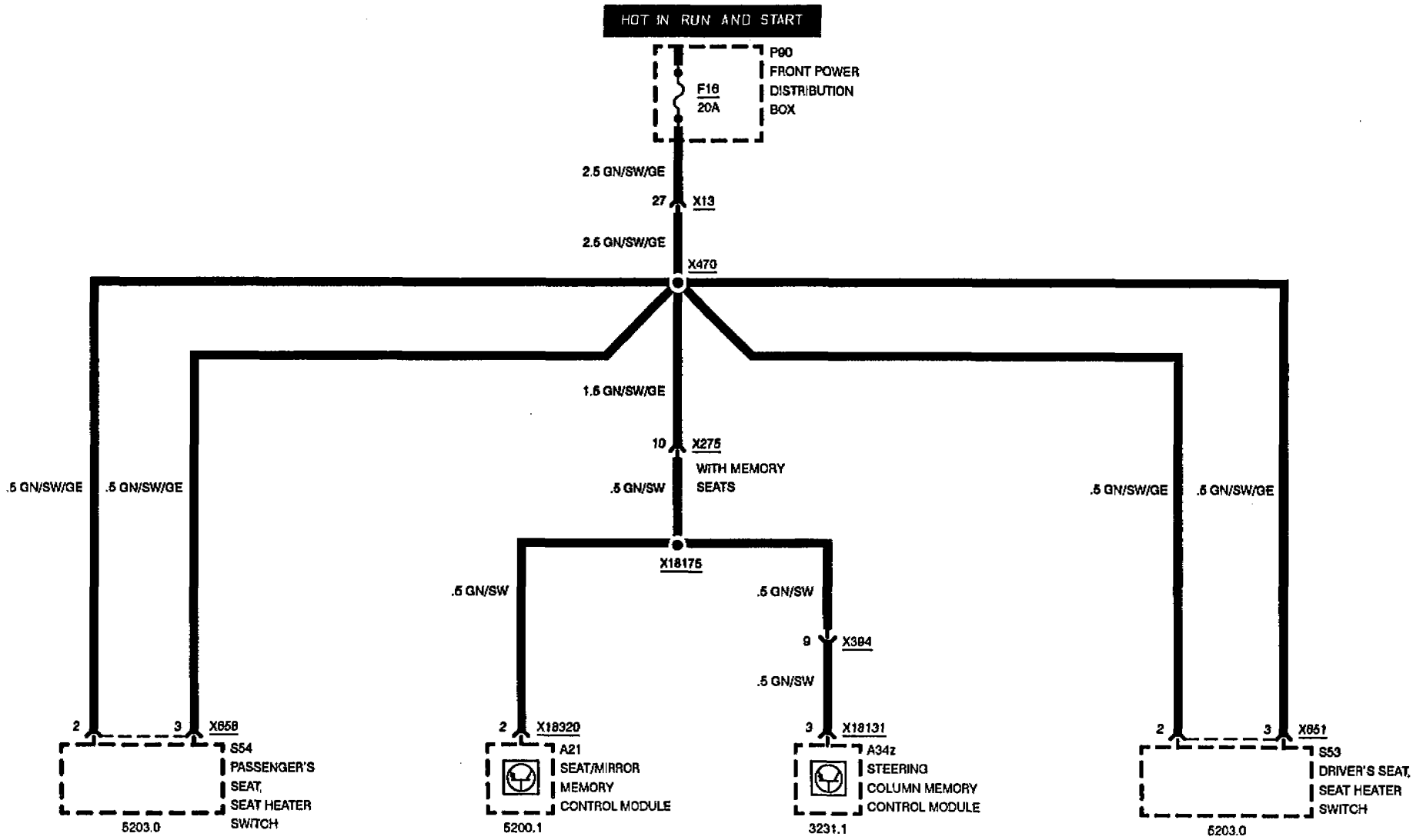
FUSES 13, 14, AND 15





FUSE DETAILS

FUSE 16



09/93

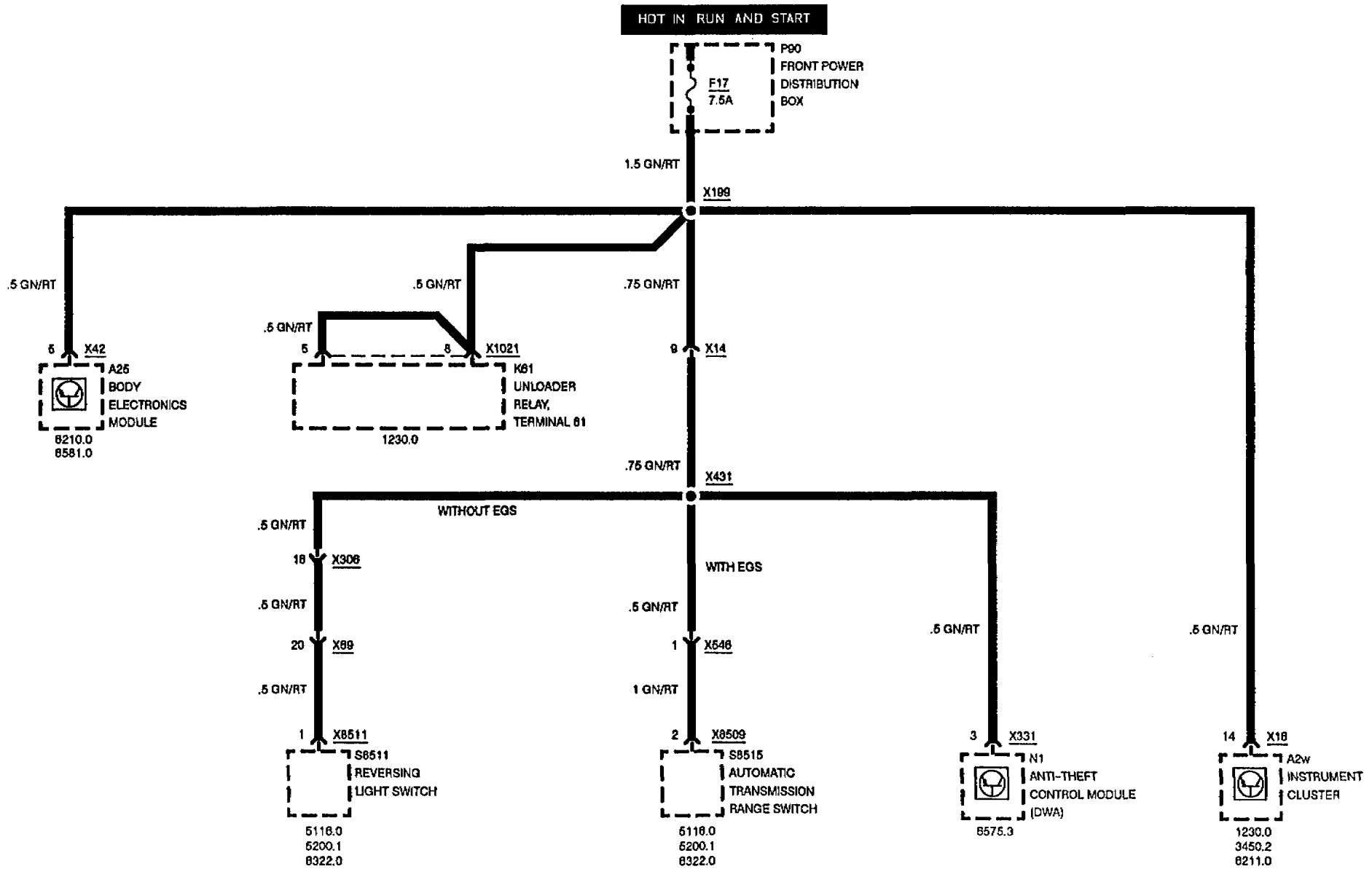
0670.3-06

1994



FUSE DETAILS

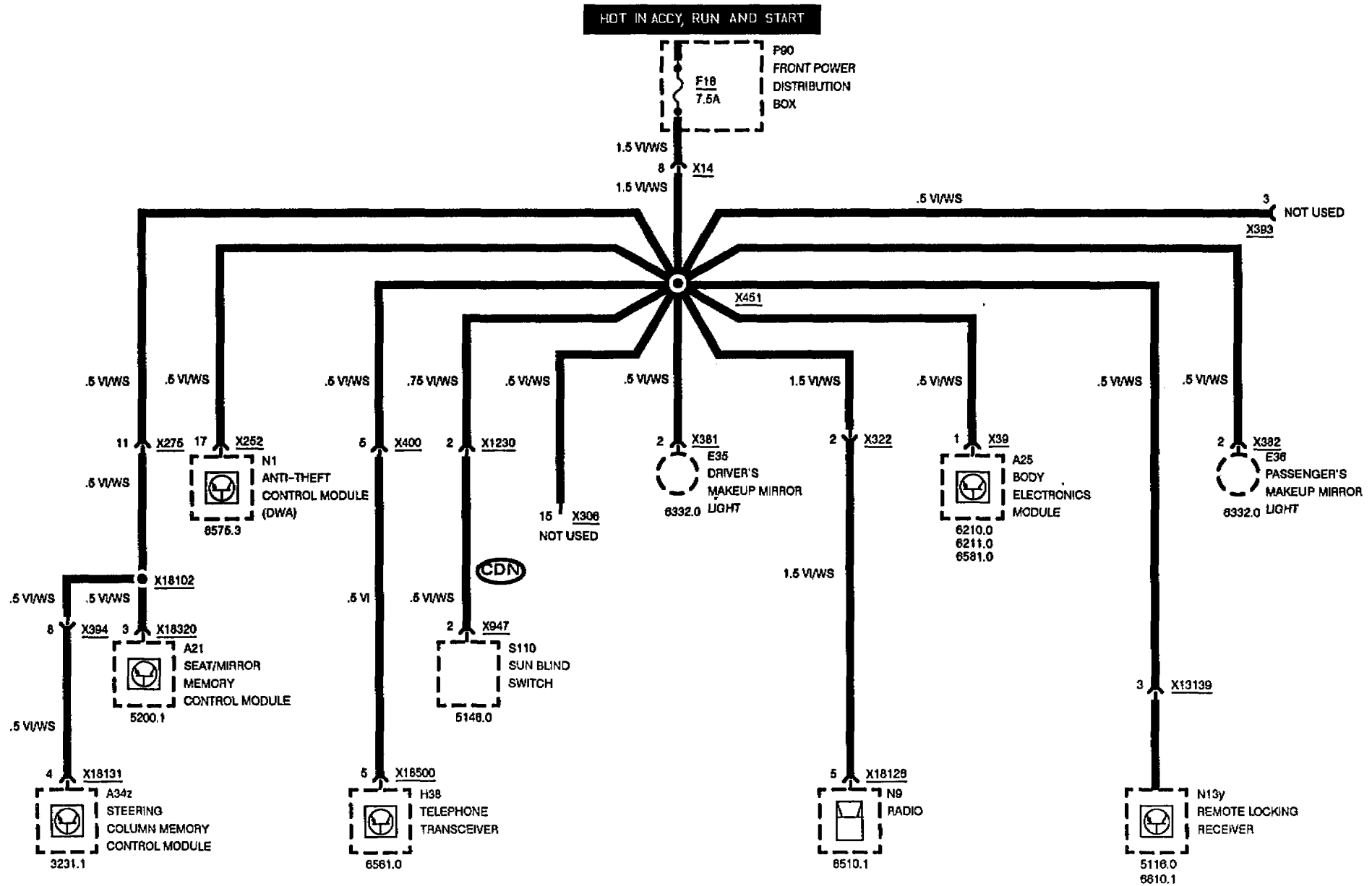
FUSE 17





FUSE DETAILS

FUSE 18



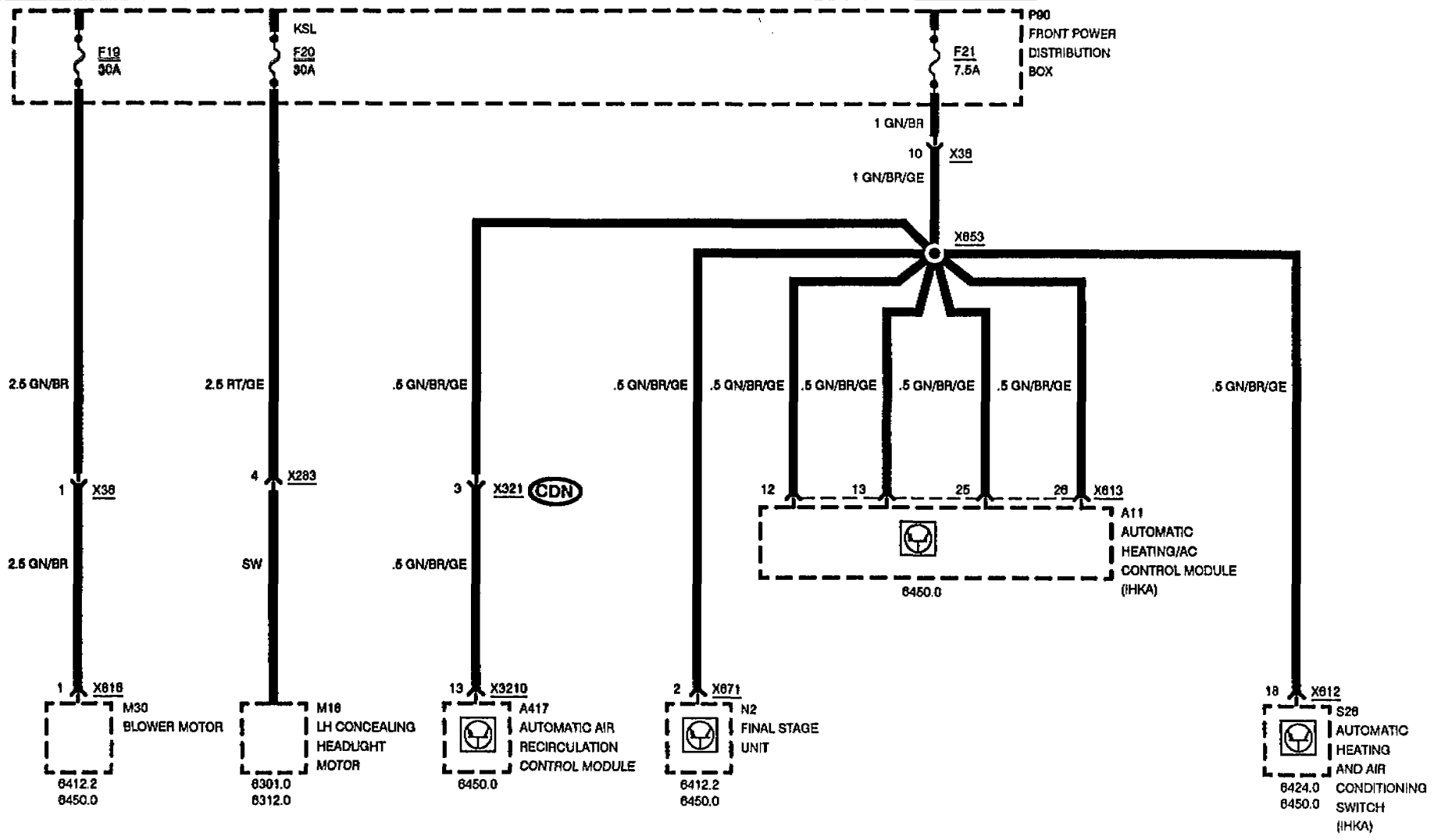


FUSE DETAILS

FUSES 19, 20, AND 21

HOT IN RUN AND START

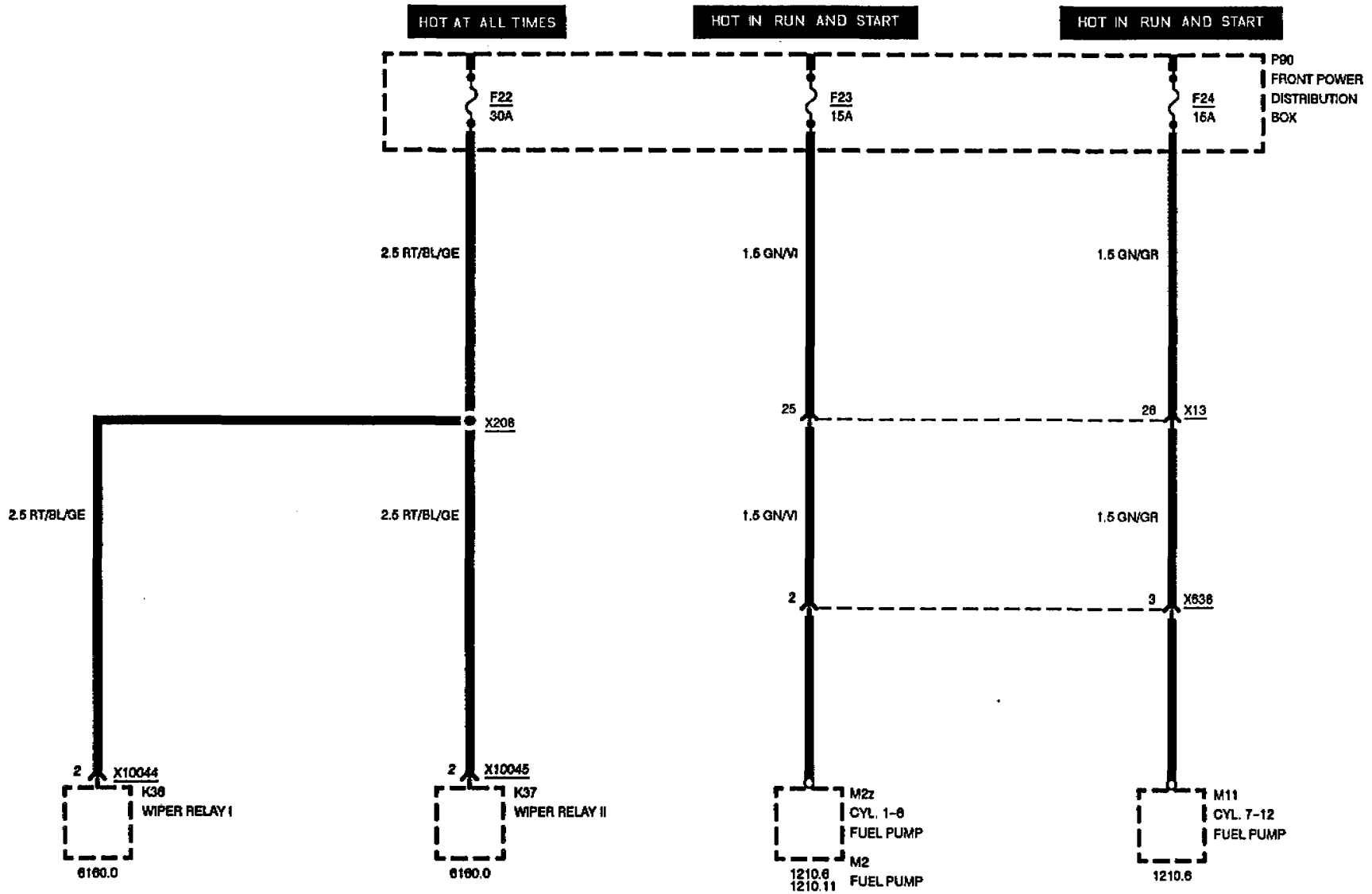
HOT IN RUN AND START





FUSE DETAILS

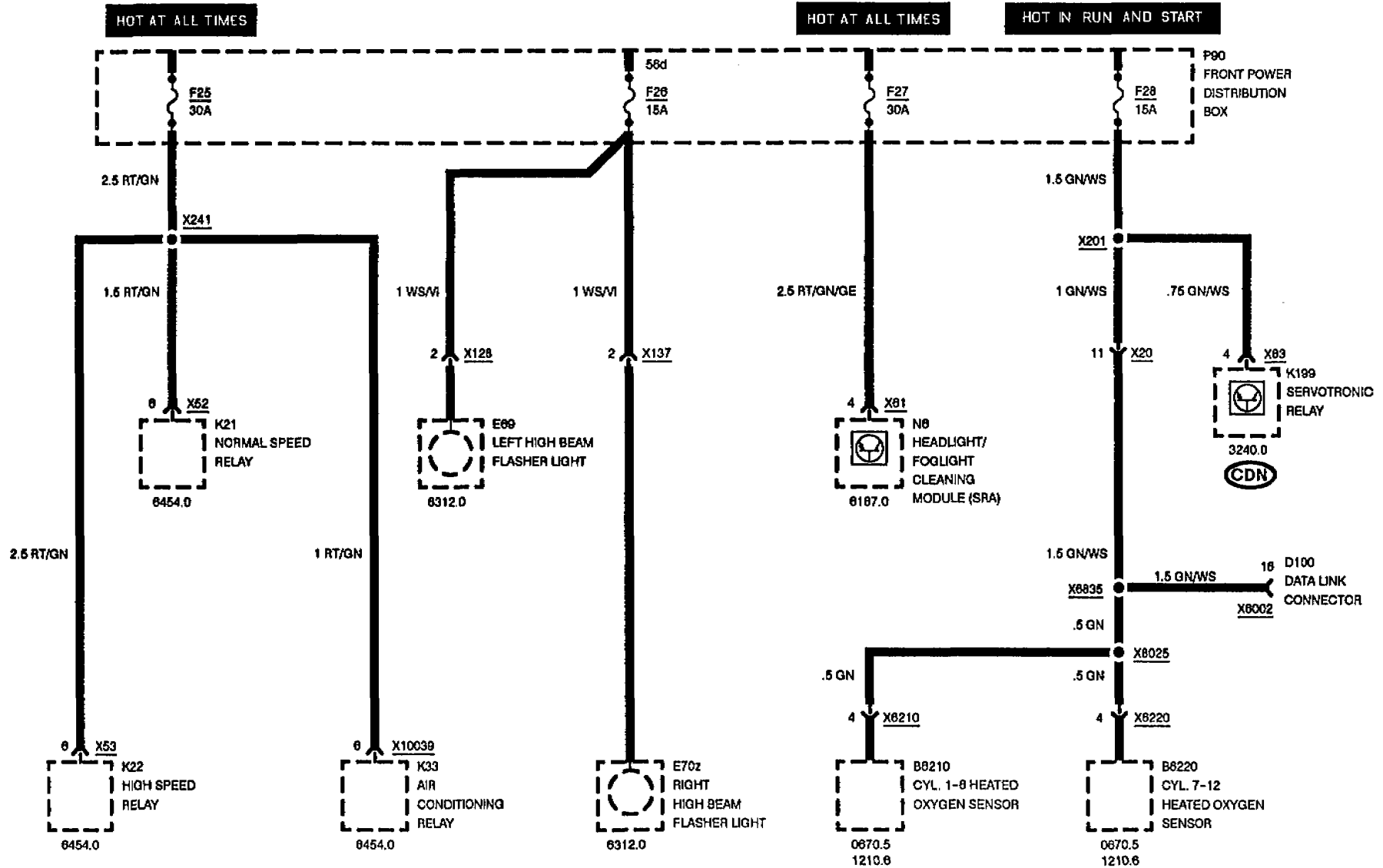
FUSES 22, 23, AND 24





FUSE DETAILS

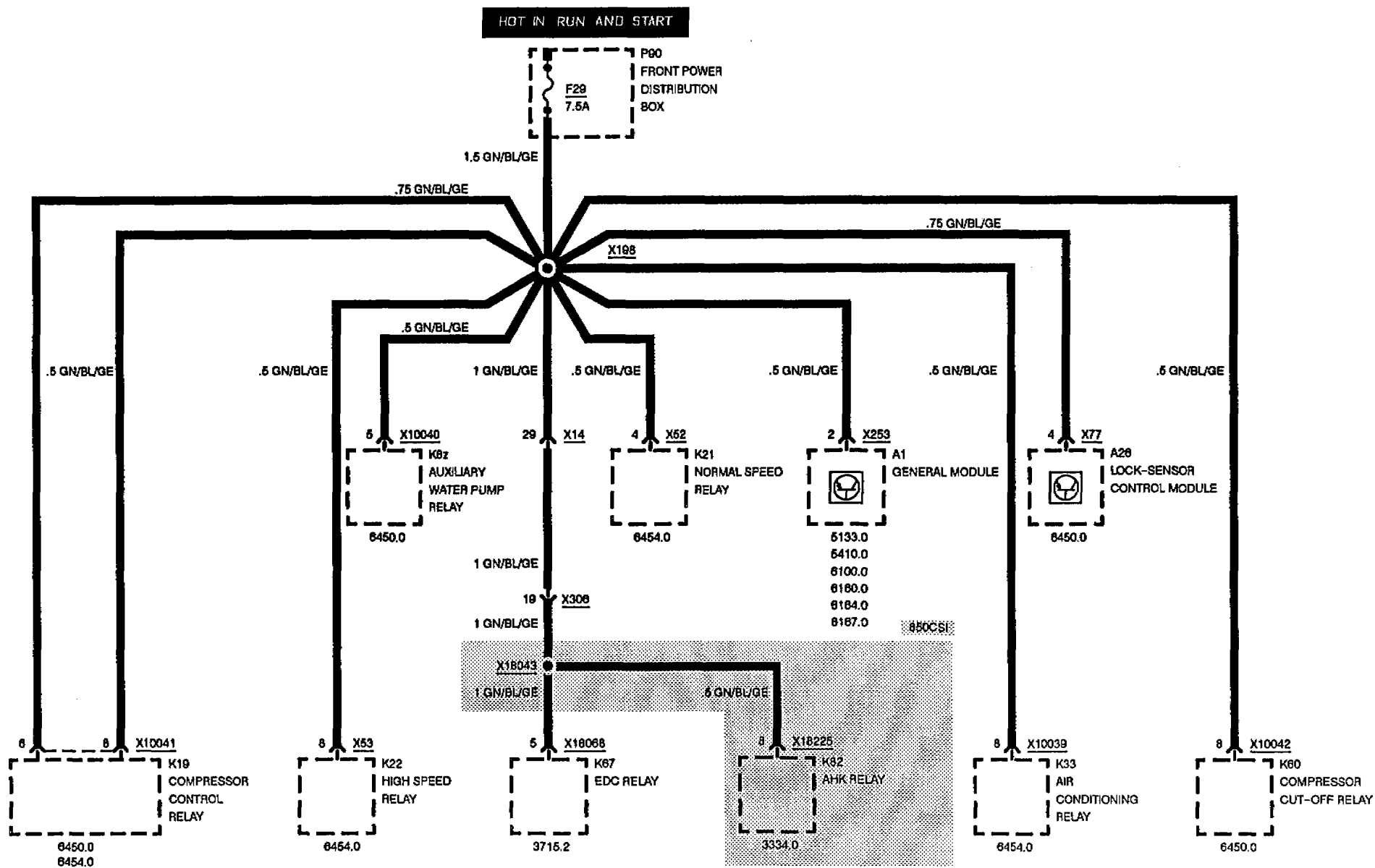
FUSES 25, 26, 27, AND 28





FUSE DETAILS

FUSE 29

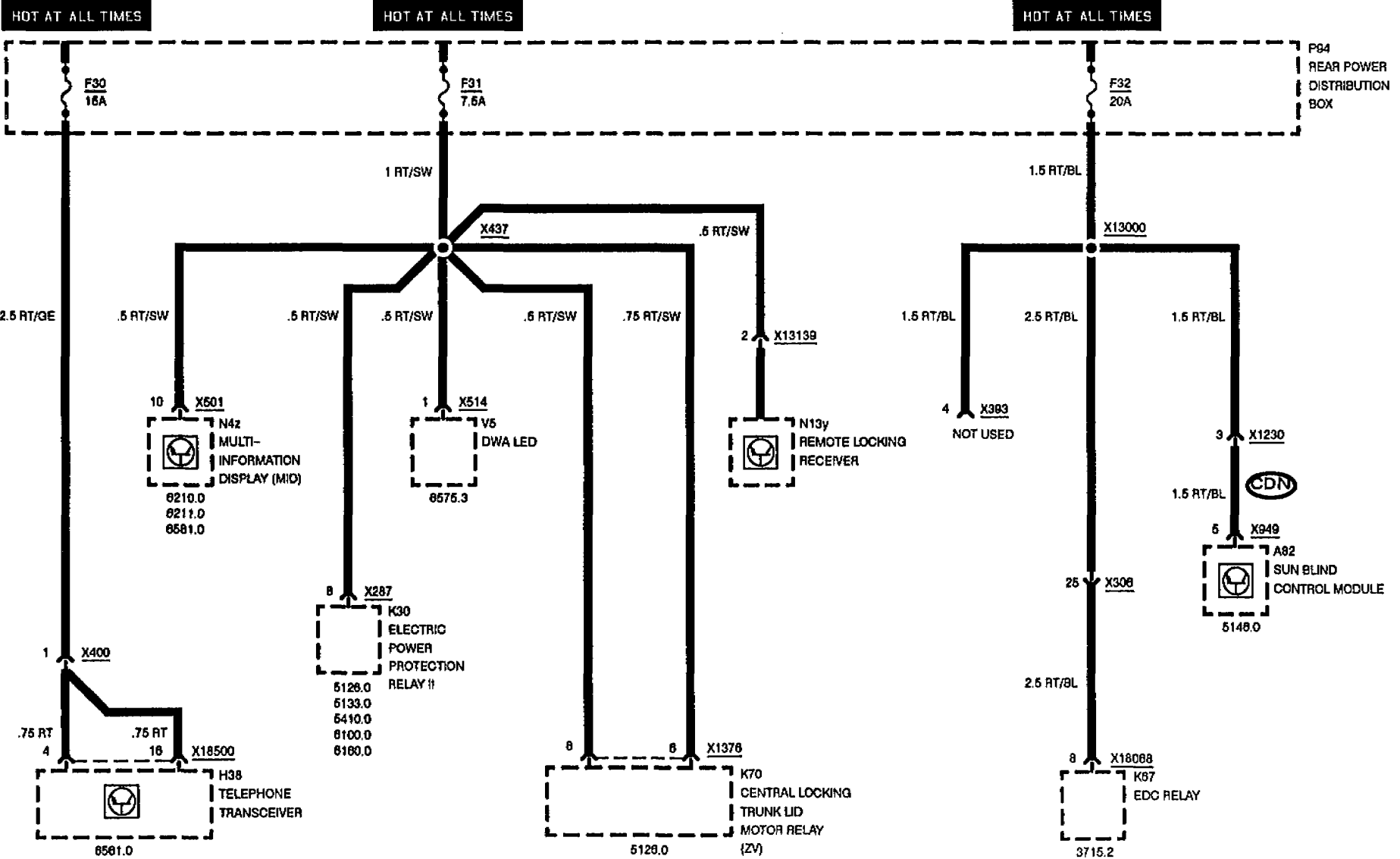


09/93 ————— 0670.3-12 ————— 1994



FUSE DETAILS

FUSES 30, 31, AND 32

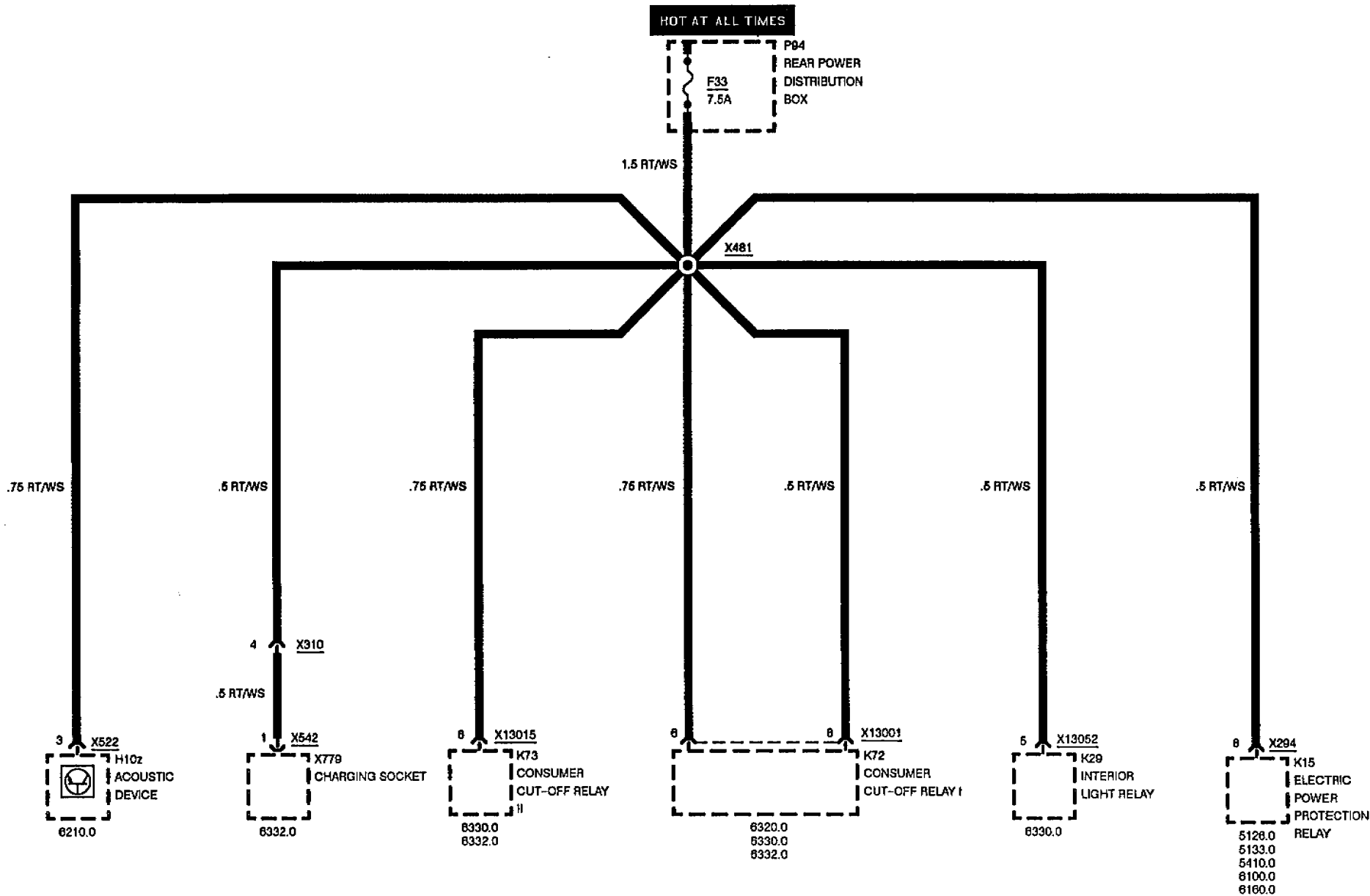


09/93

0670.3-13

1994

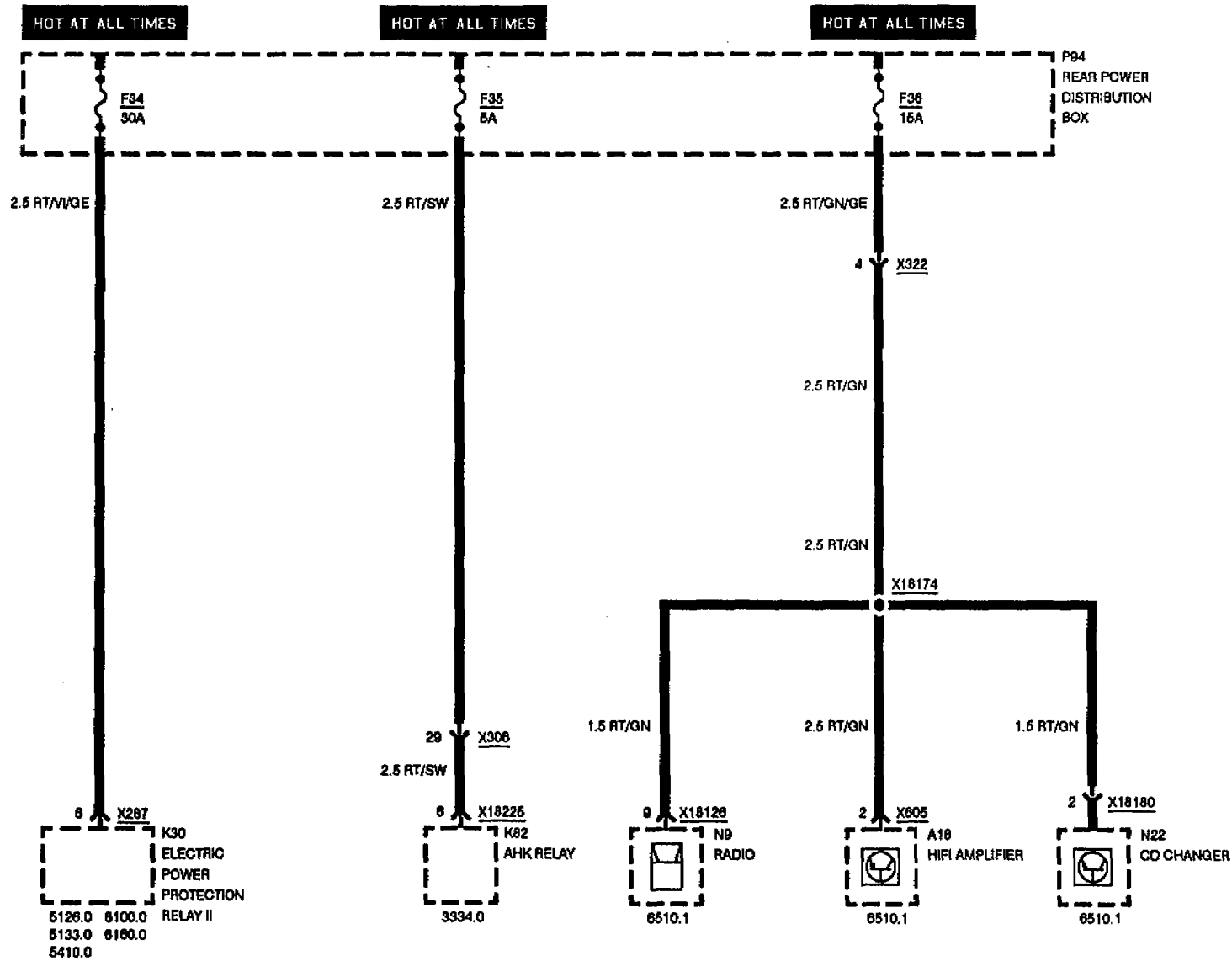
BMW
8 FUSE DETAILS
FUSE 33





FUSE DETAILS

FUSES 34, 35, AND 36

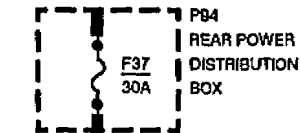




FUSE DETAILS

FUSE 37

HOT AT ALL TIMES



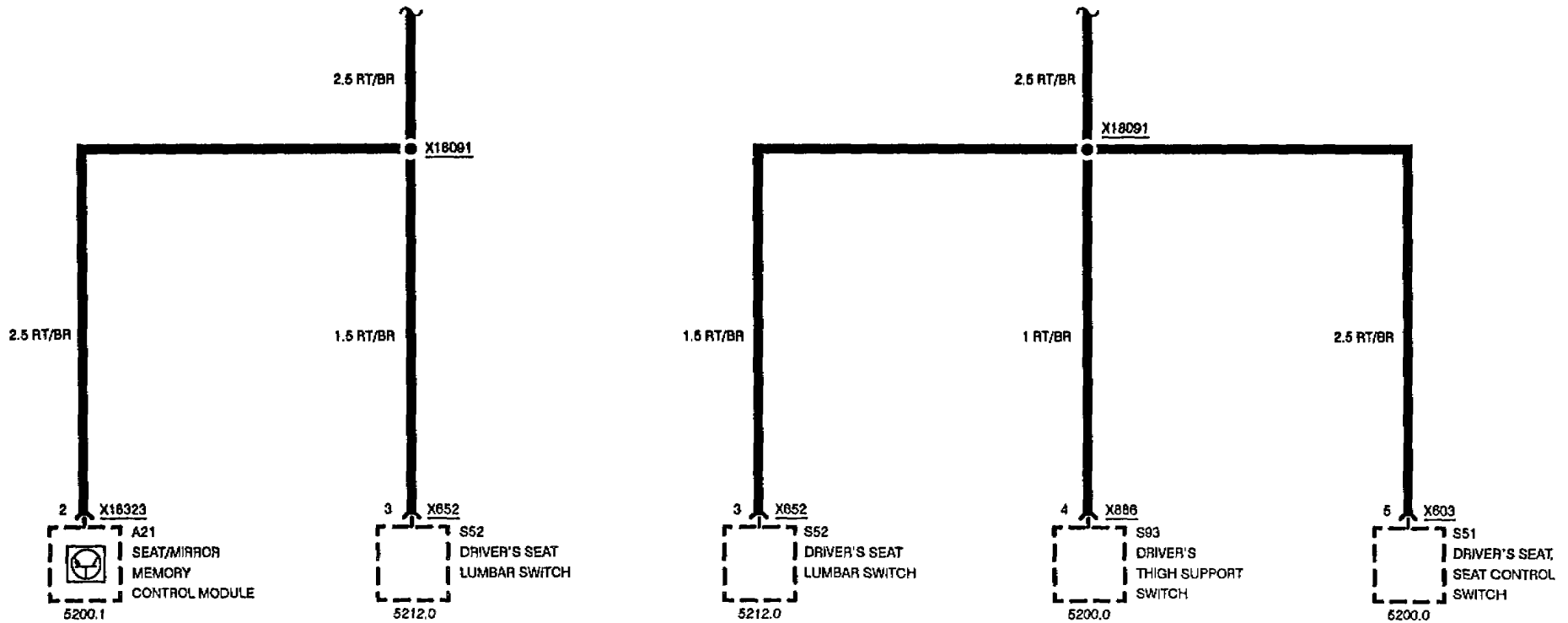
2.5 RT/BR

2

2.5 RT/BR

WITH MEMORY

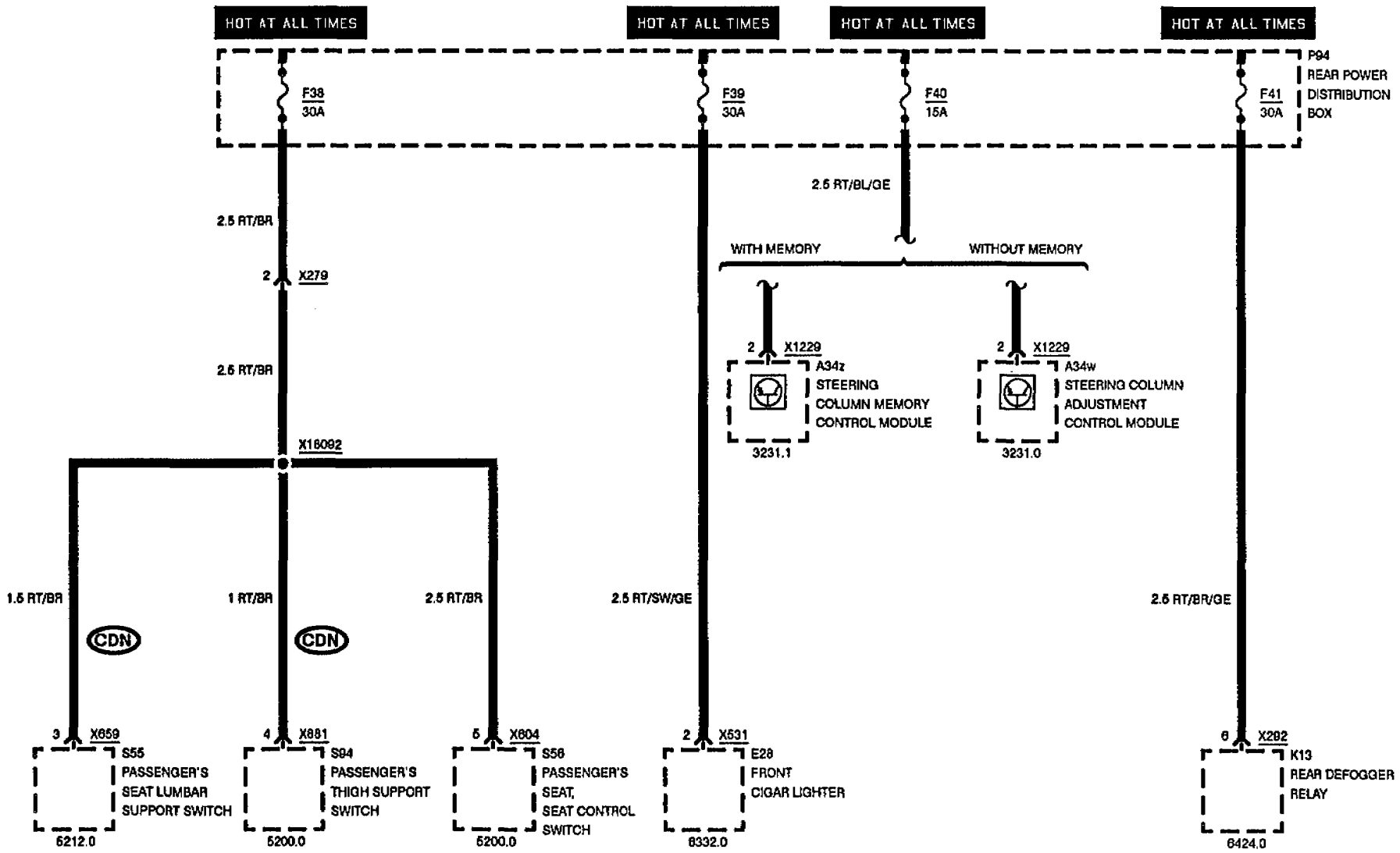
WITHOUT MEMORY





FUSE DETAILS

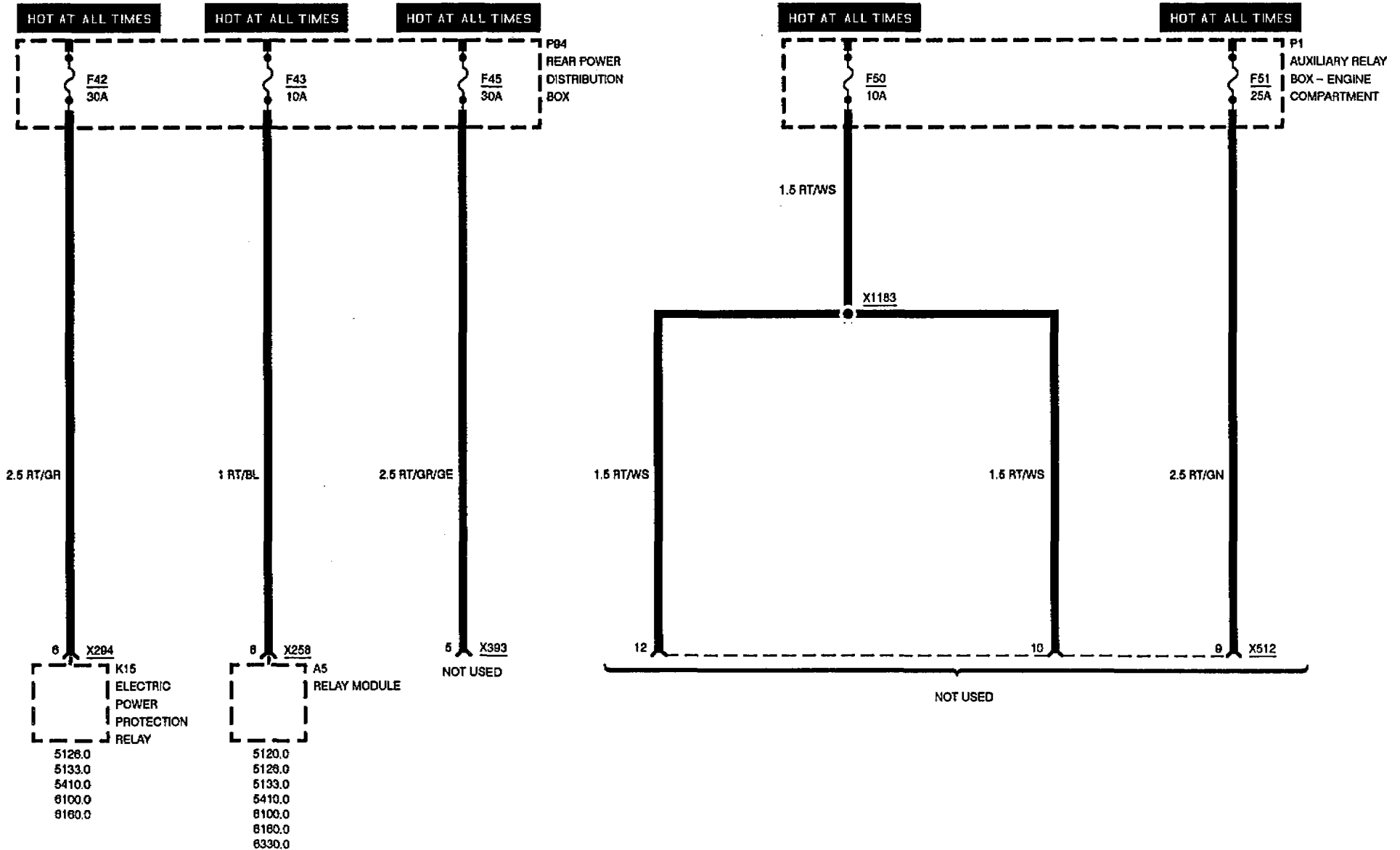
FUSES 38, 39, 40, AND 41





FUSE DETAILS

FUSES 42, 43, 45, 50, AND 51





FUSE DETAILS

FUSES 54, 55, 60, 62, AND 65

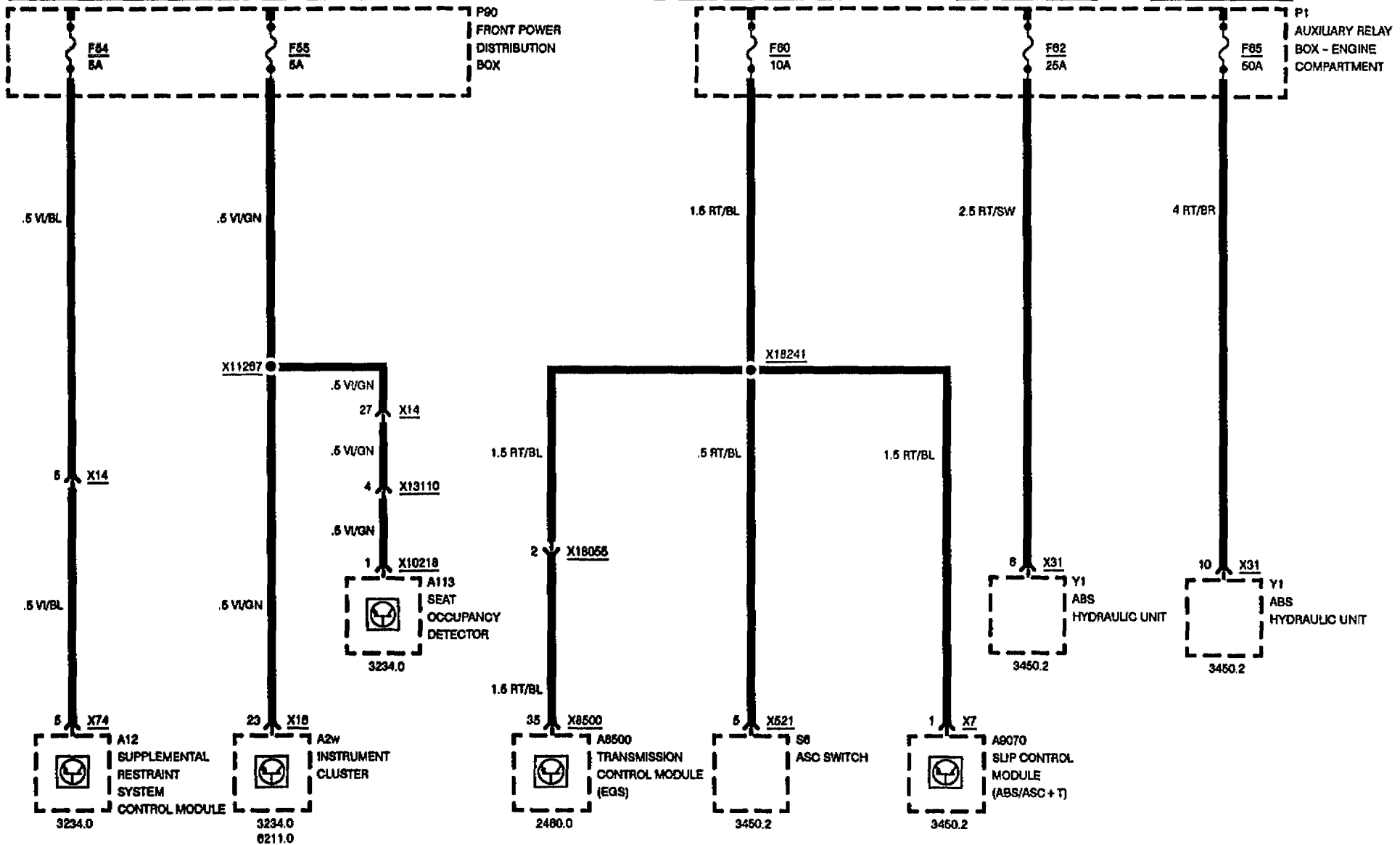
HOT IN ACCY, RUN AND START

HOT IN ACCY, RUN AND START

HOT IN RUN AND START

HOT AT ALL TIMES

HOT AT ALL TIMES

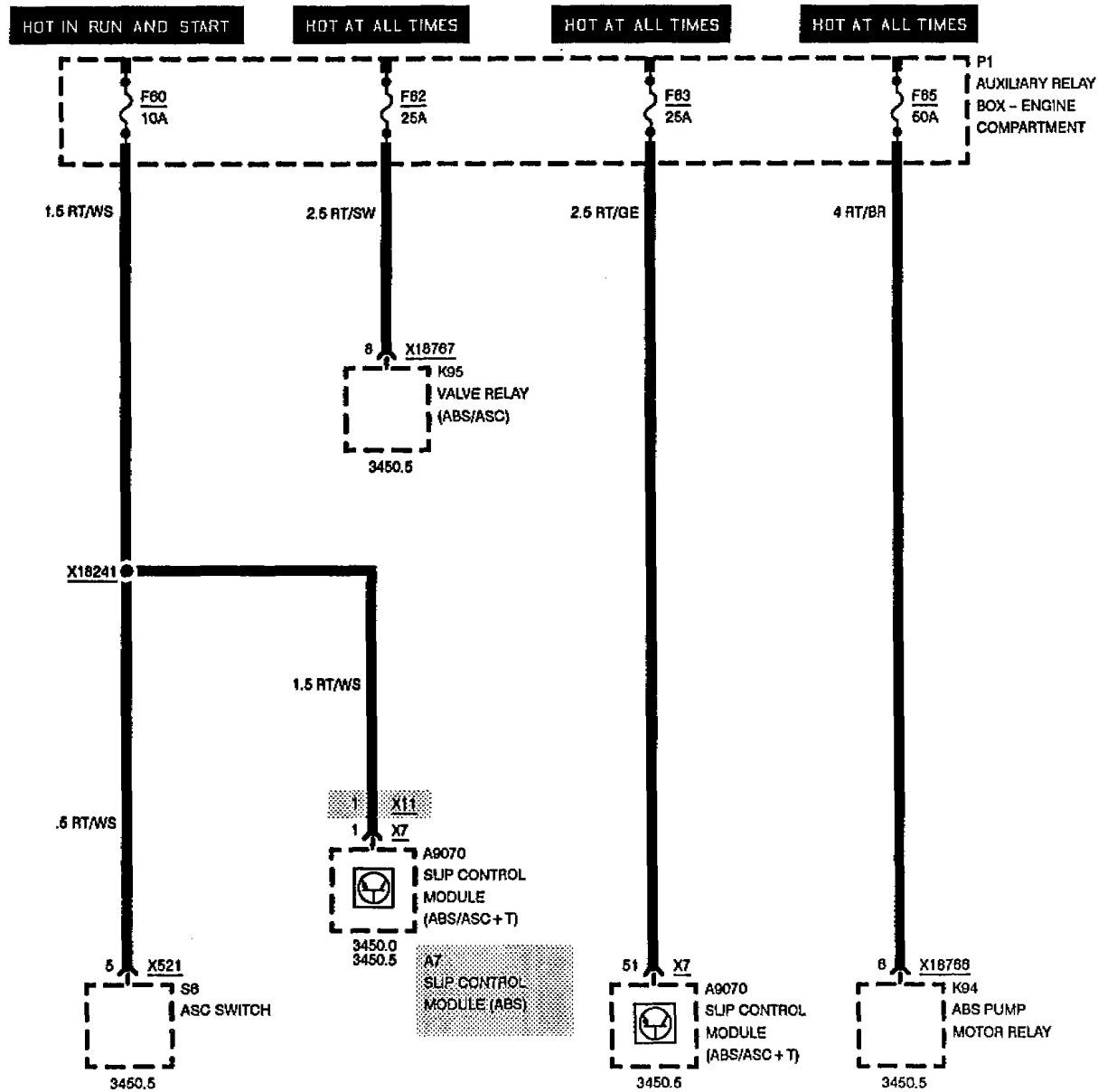




FUSE DETAILS

840Ci

FUSES 60, 62, 63, AND 65



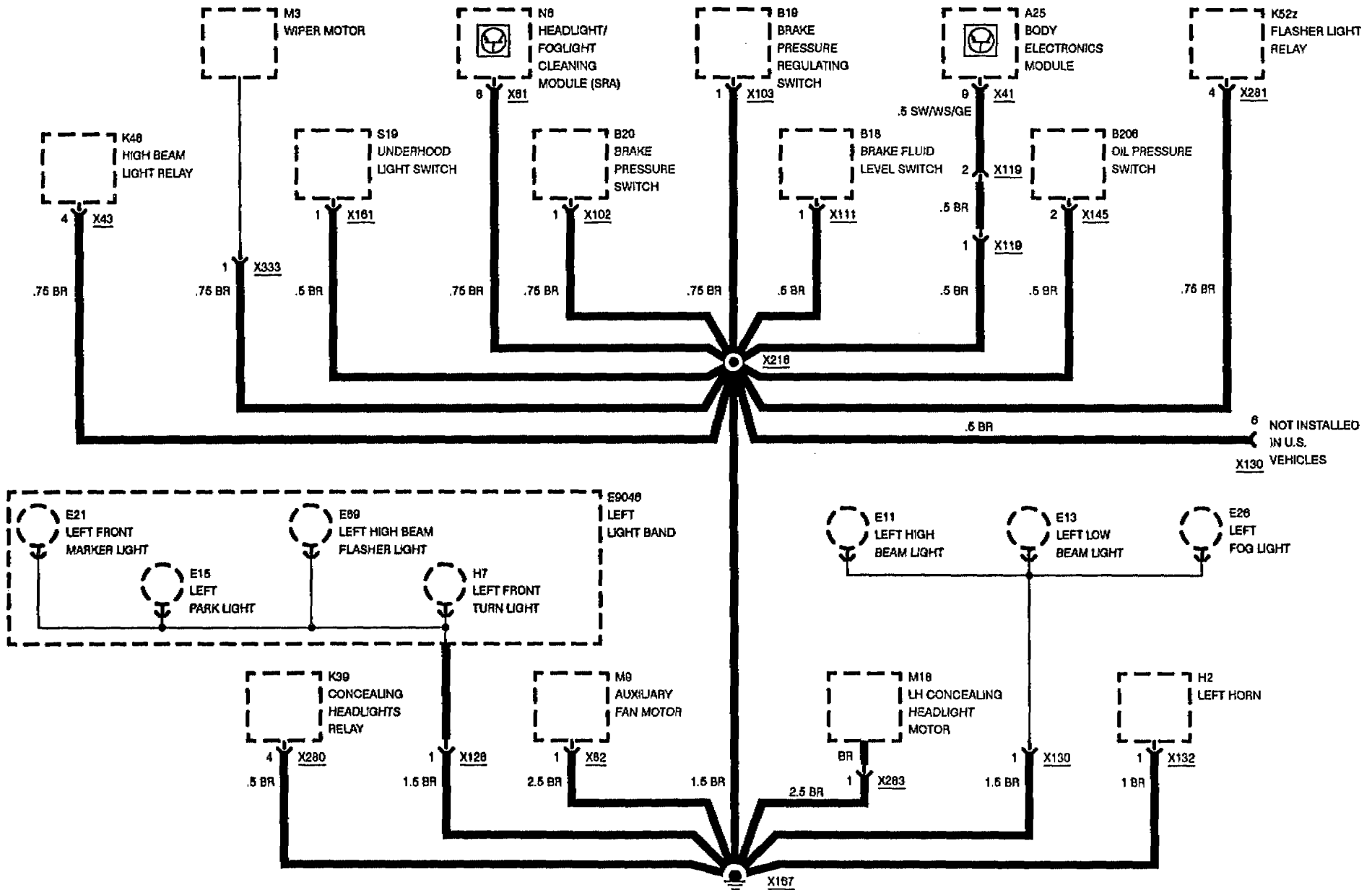
BMW
8

0670.4



GROUND DISTRIBUTION

GROUND X167

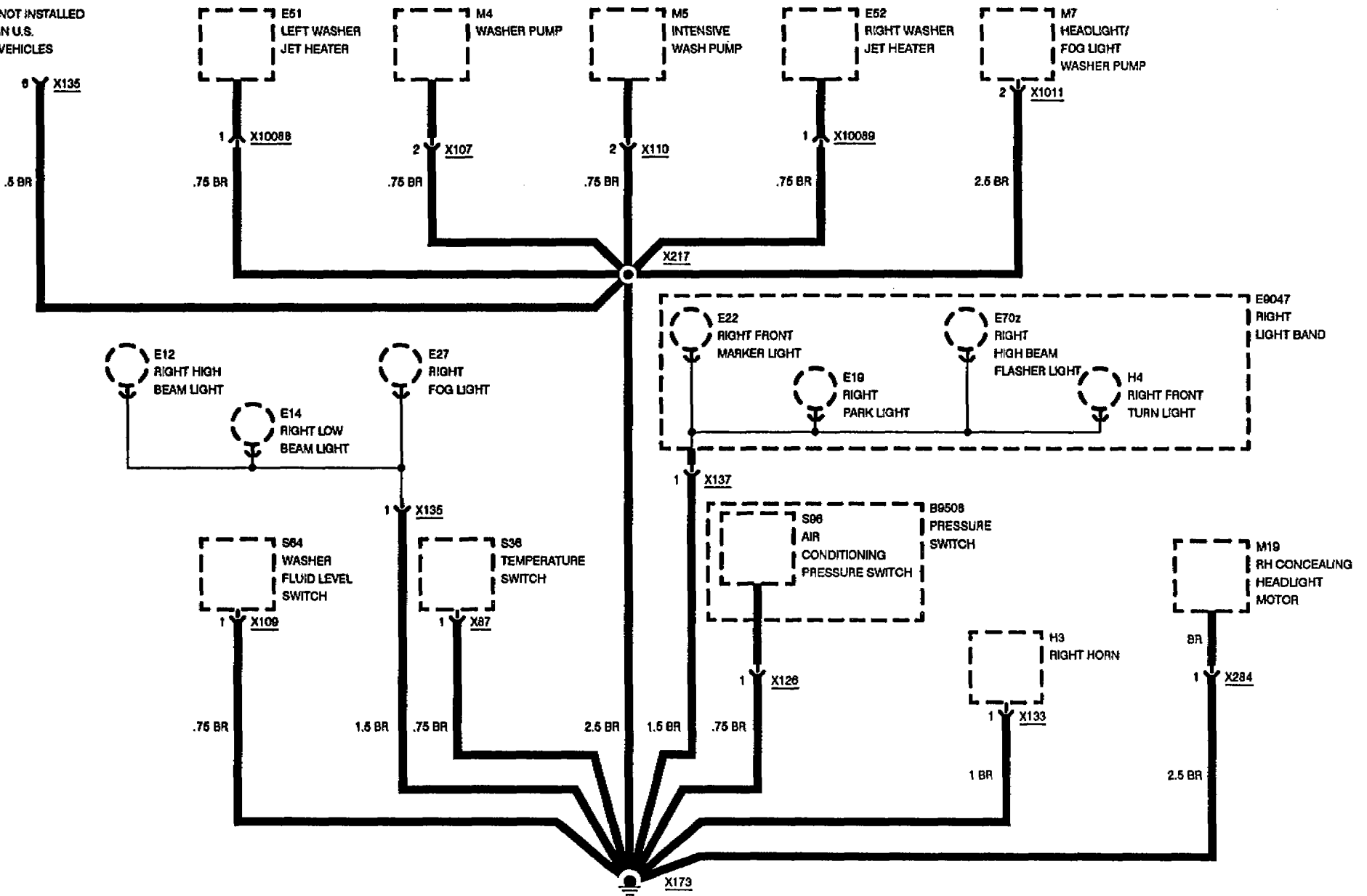




GROUND DISTRIBUTION

GROUND X173

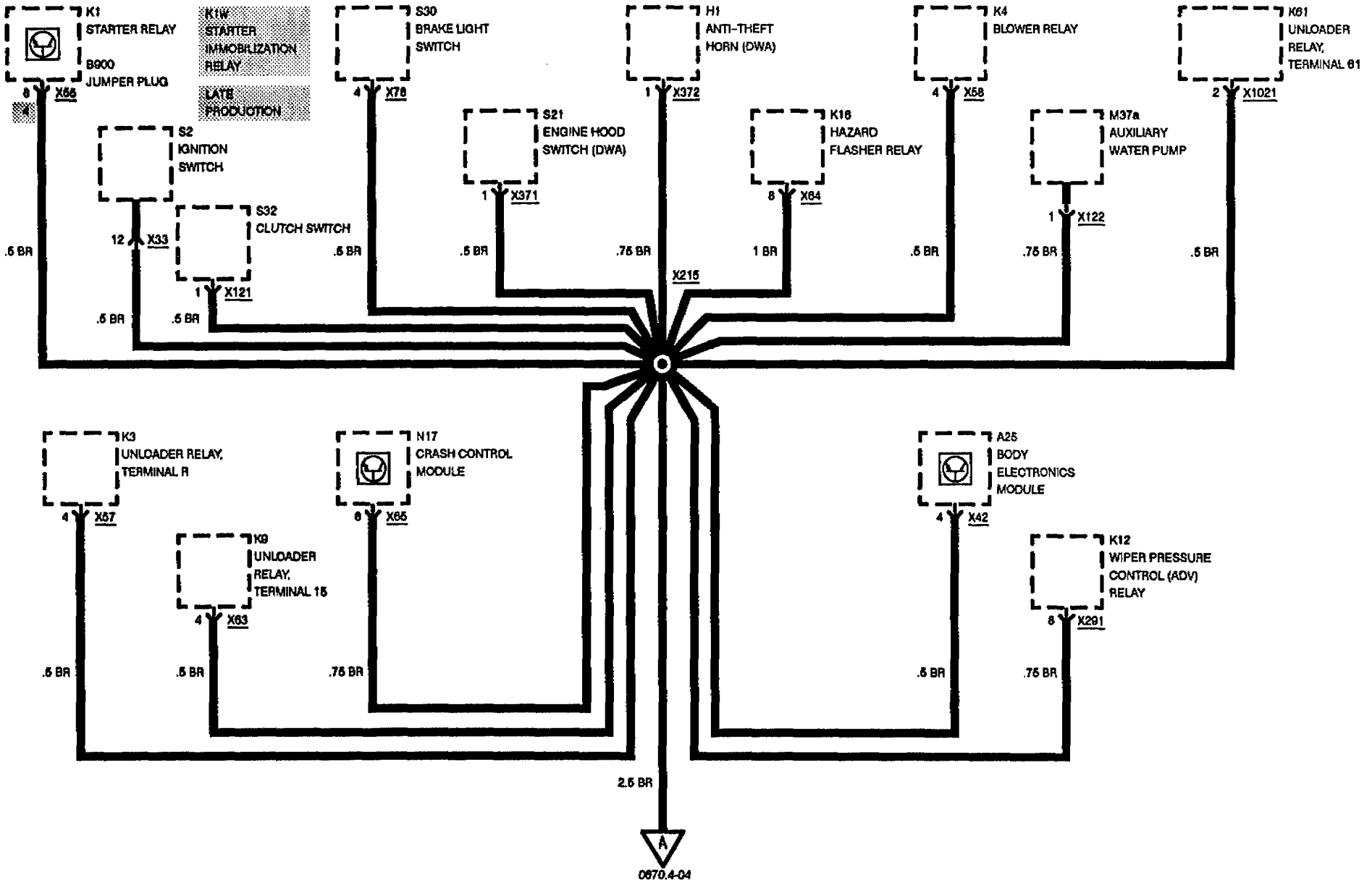
NOT INSTALLED
IN U.S.
VEHICLES





GROUND DISTRIBUTION

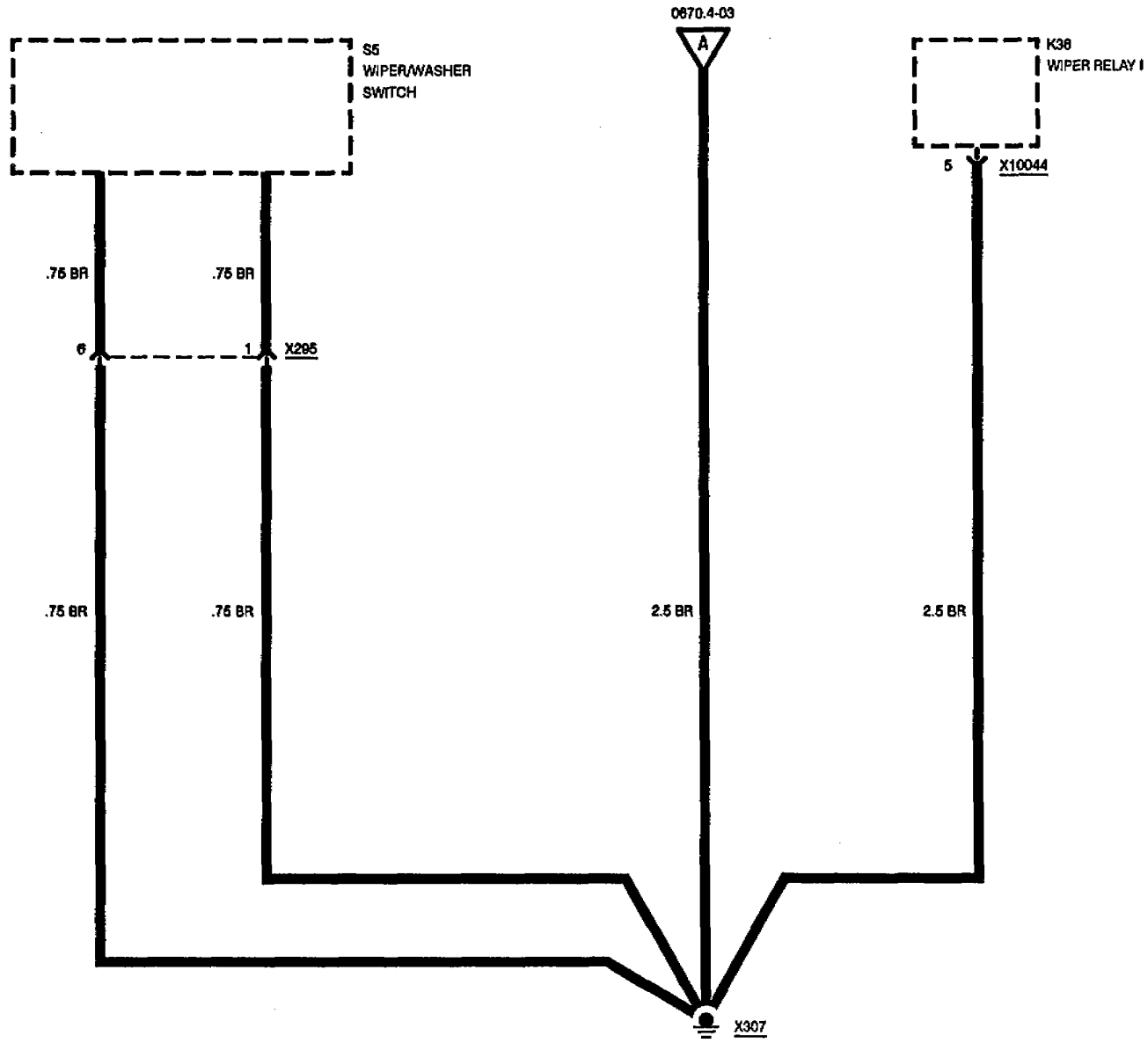
GROUND X307





GROUND DISTRIBUTION

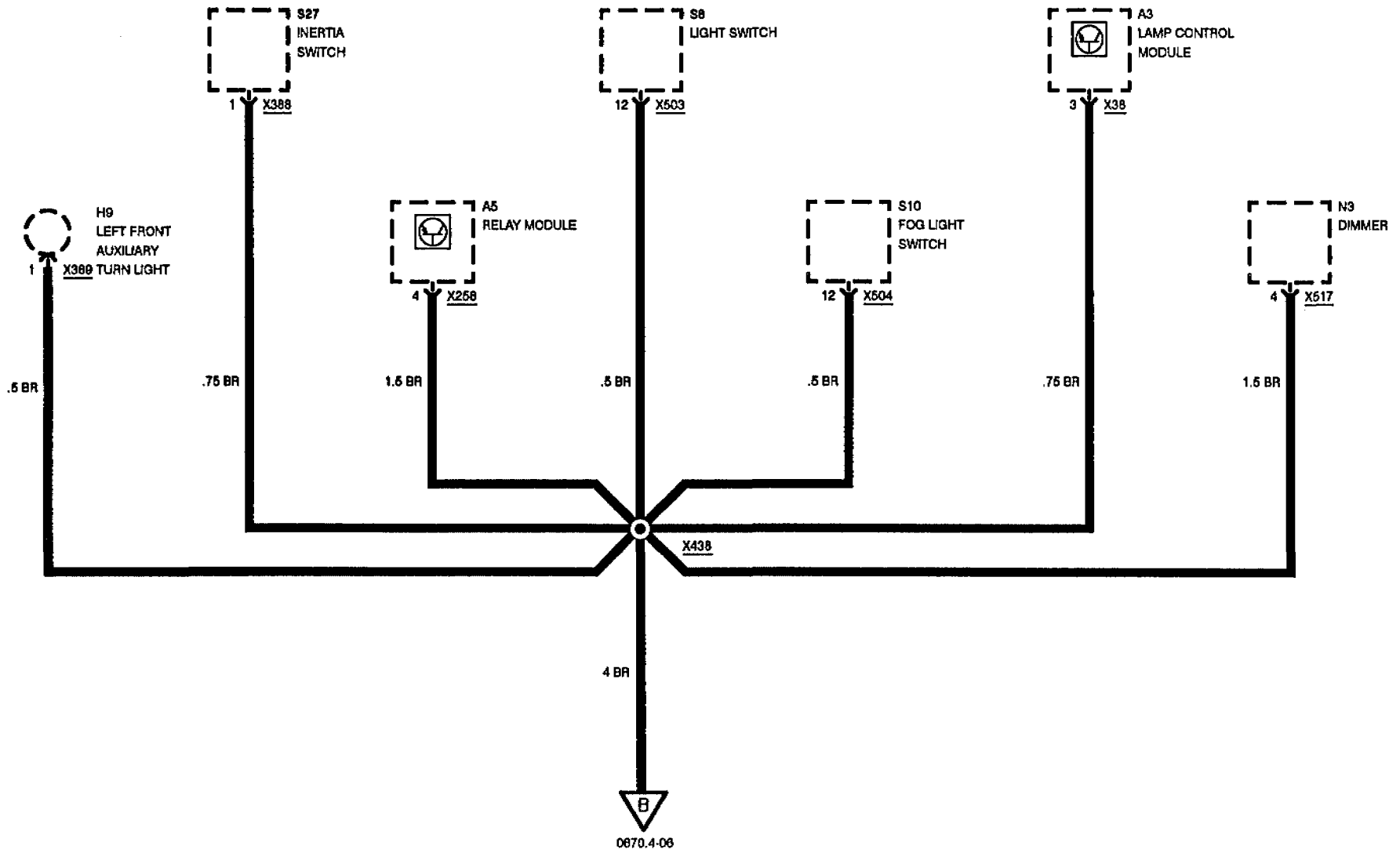
GROUND X307





GROUND DISTRIBUTION

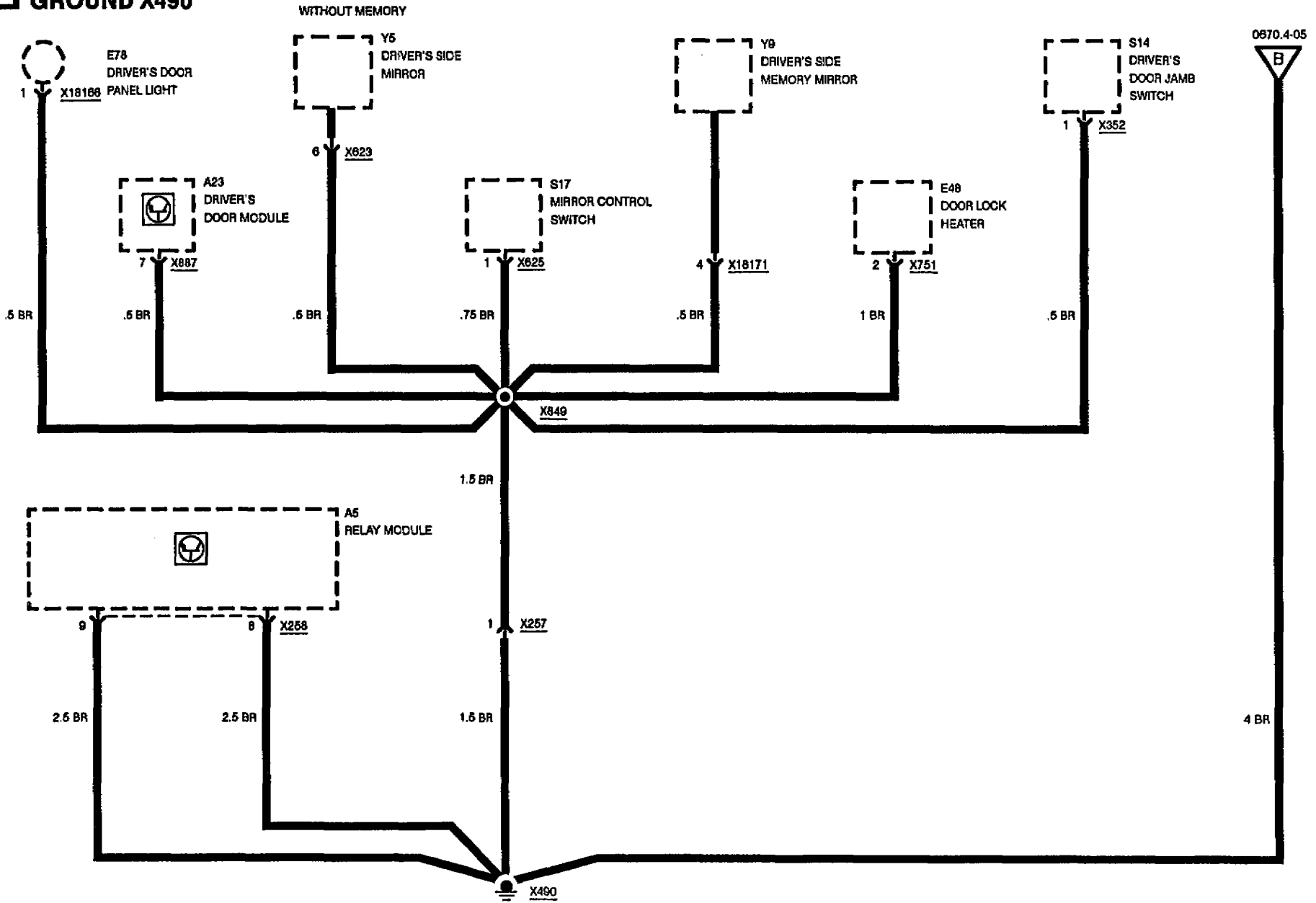
GROUND X490





GROUND DISTRIBUTION

GROUND X490



09/93

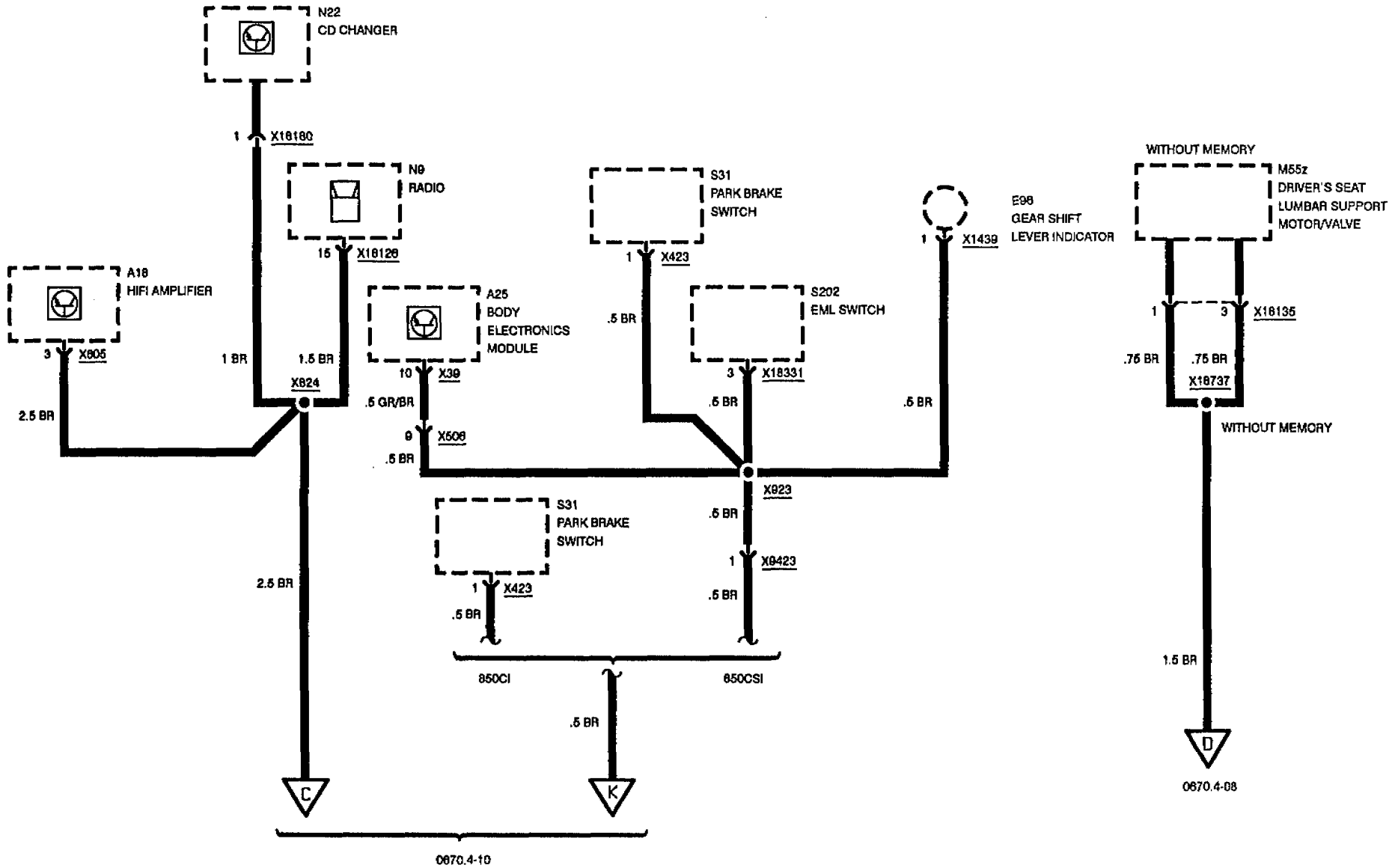
0670.4-06

1994



GROUND DISTRIBUTION

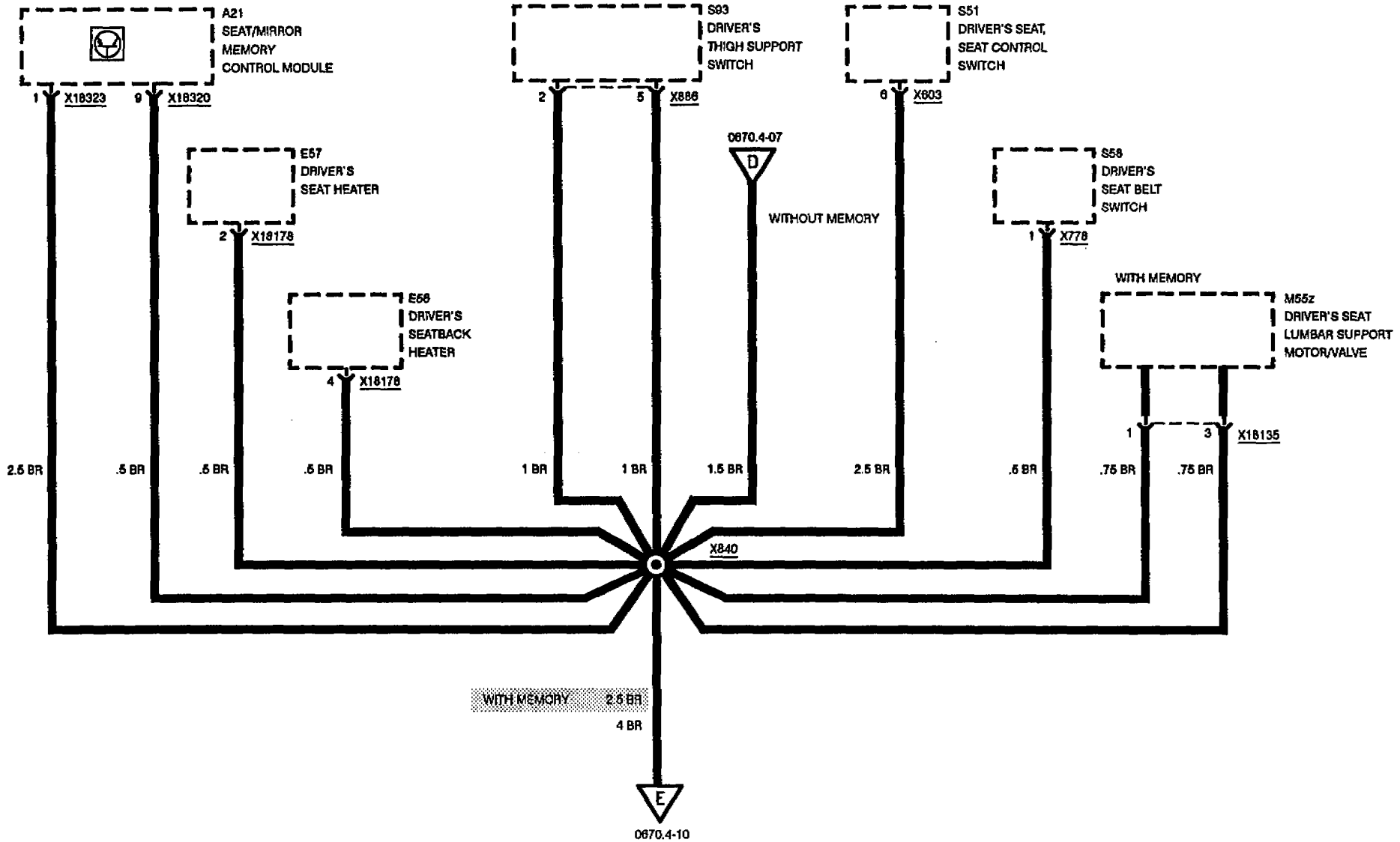
GROUND X492





GROUND DISTRIBUTION

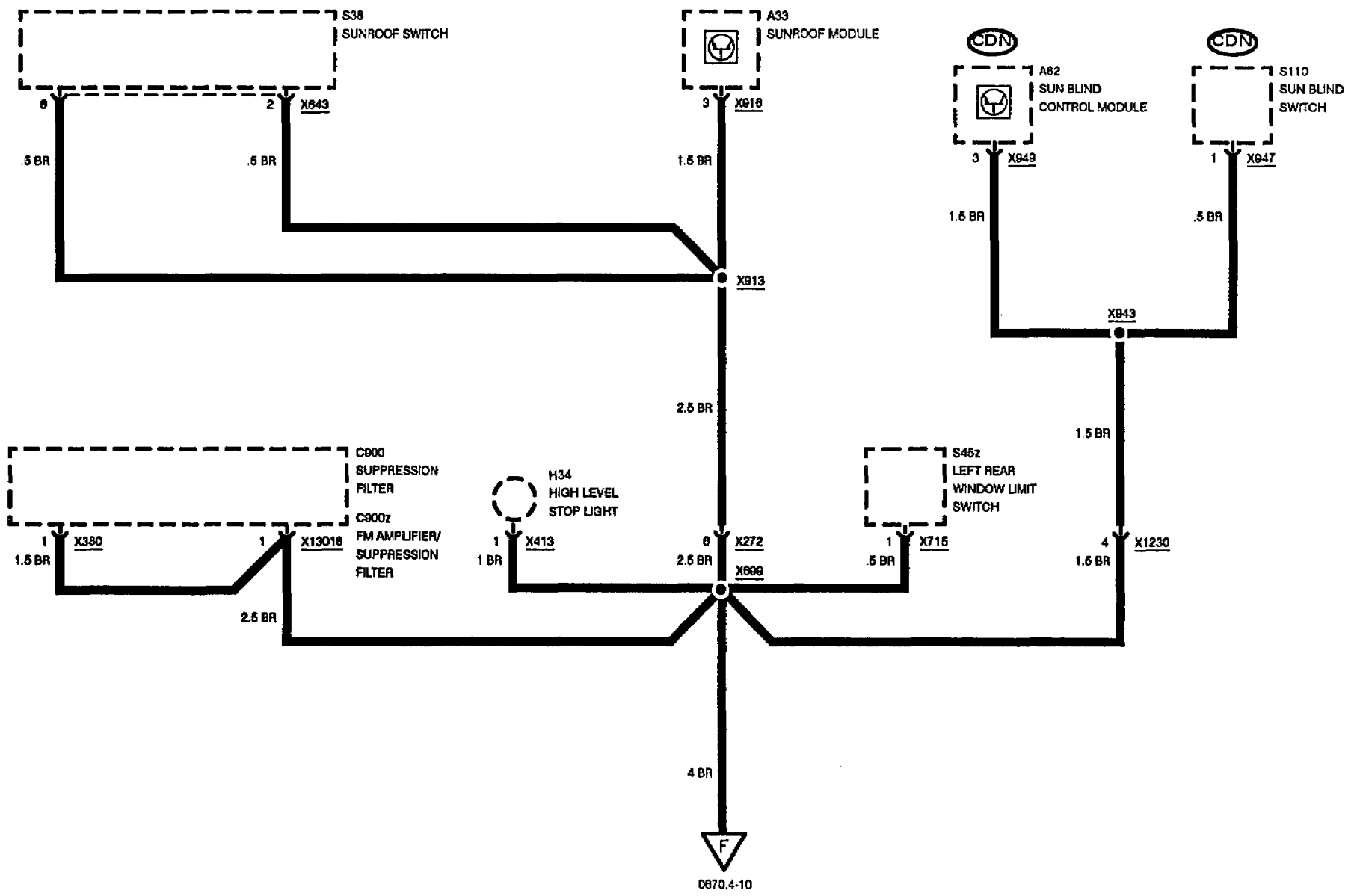
GROUND X492





GROUND DISTRIBUTION

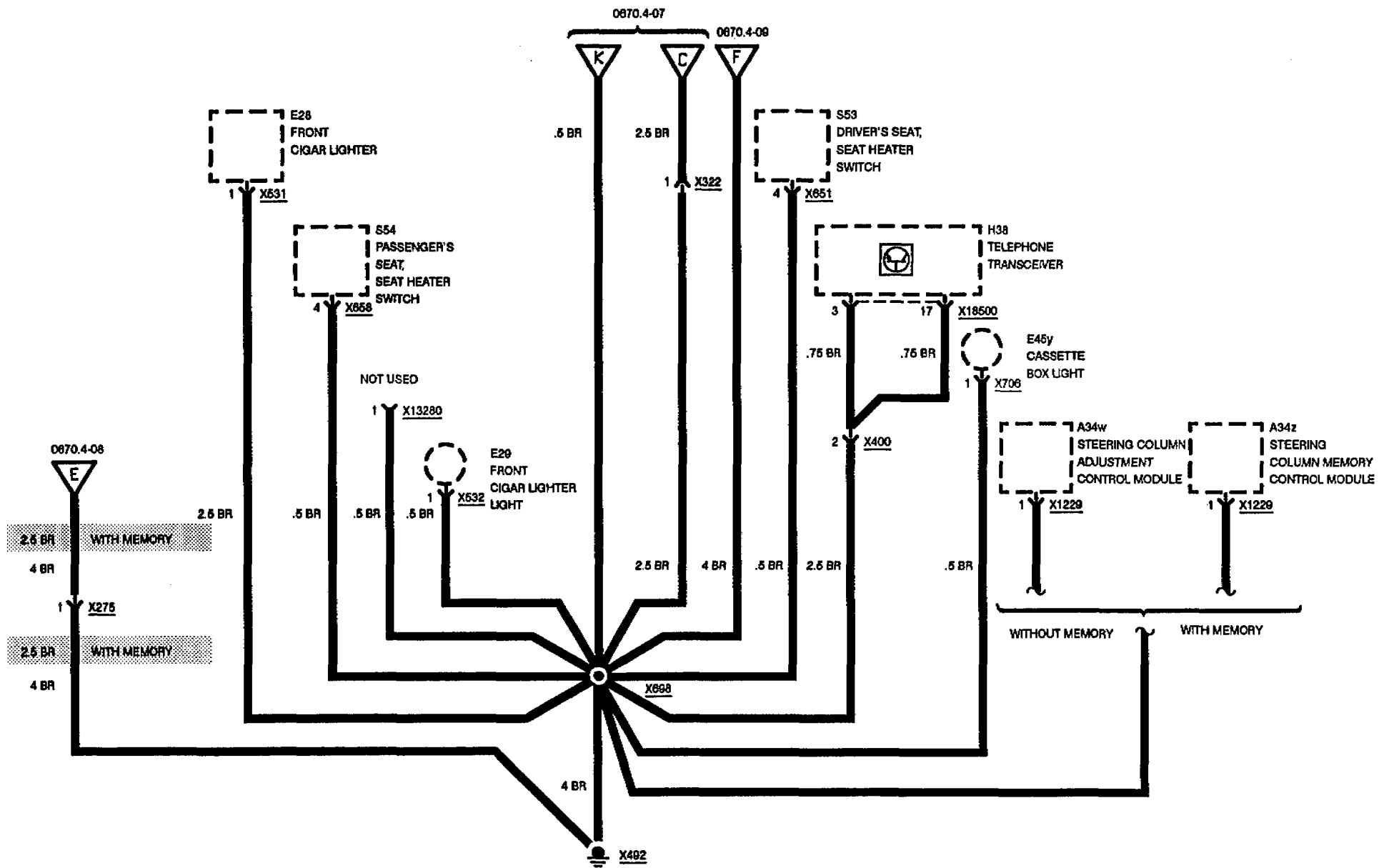
GROUND X492





GROUND DISTRIBUTION

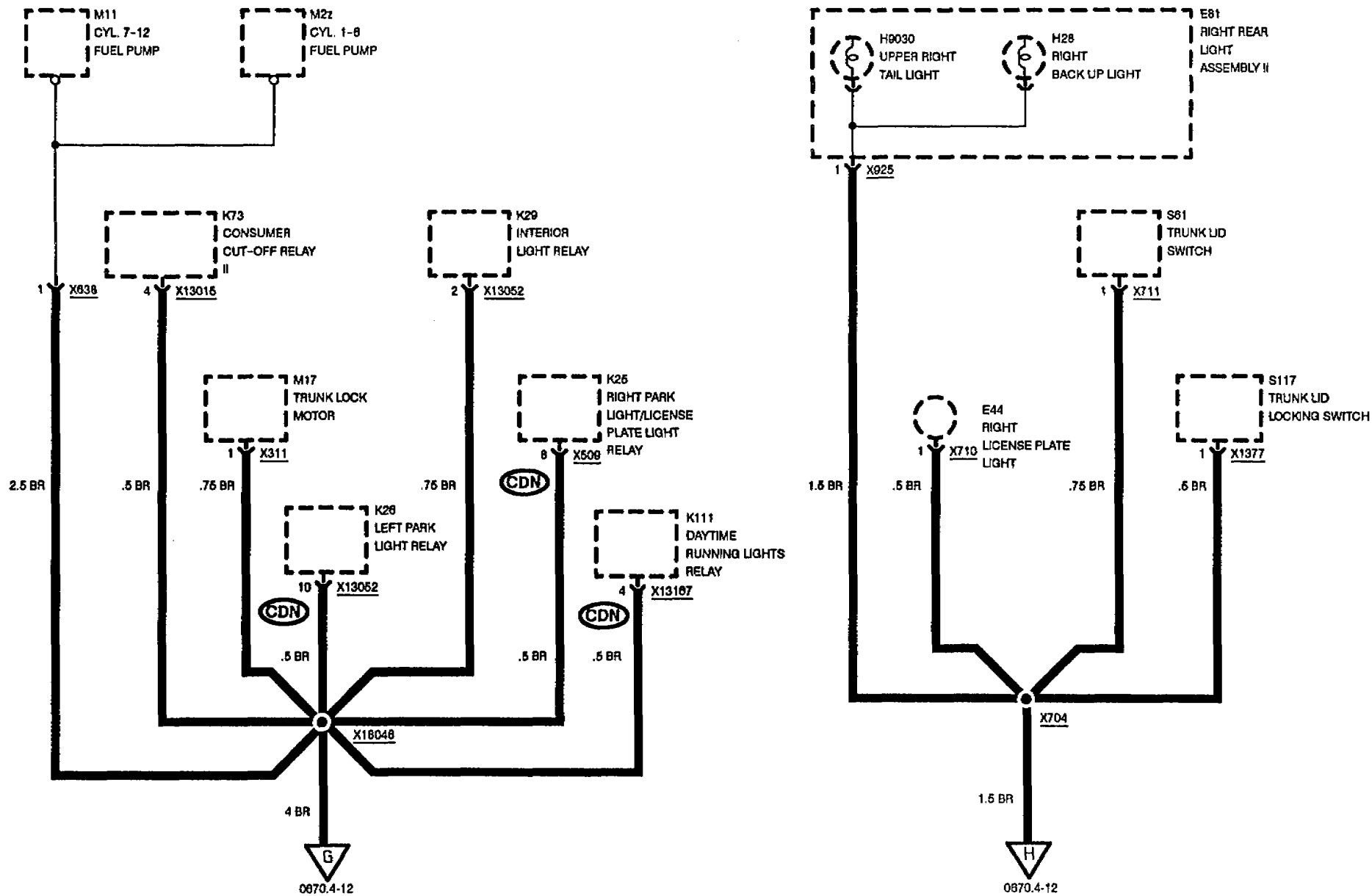
GROUND X492





GROUND DISTRIBUTION

GROUND X494



09/93

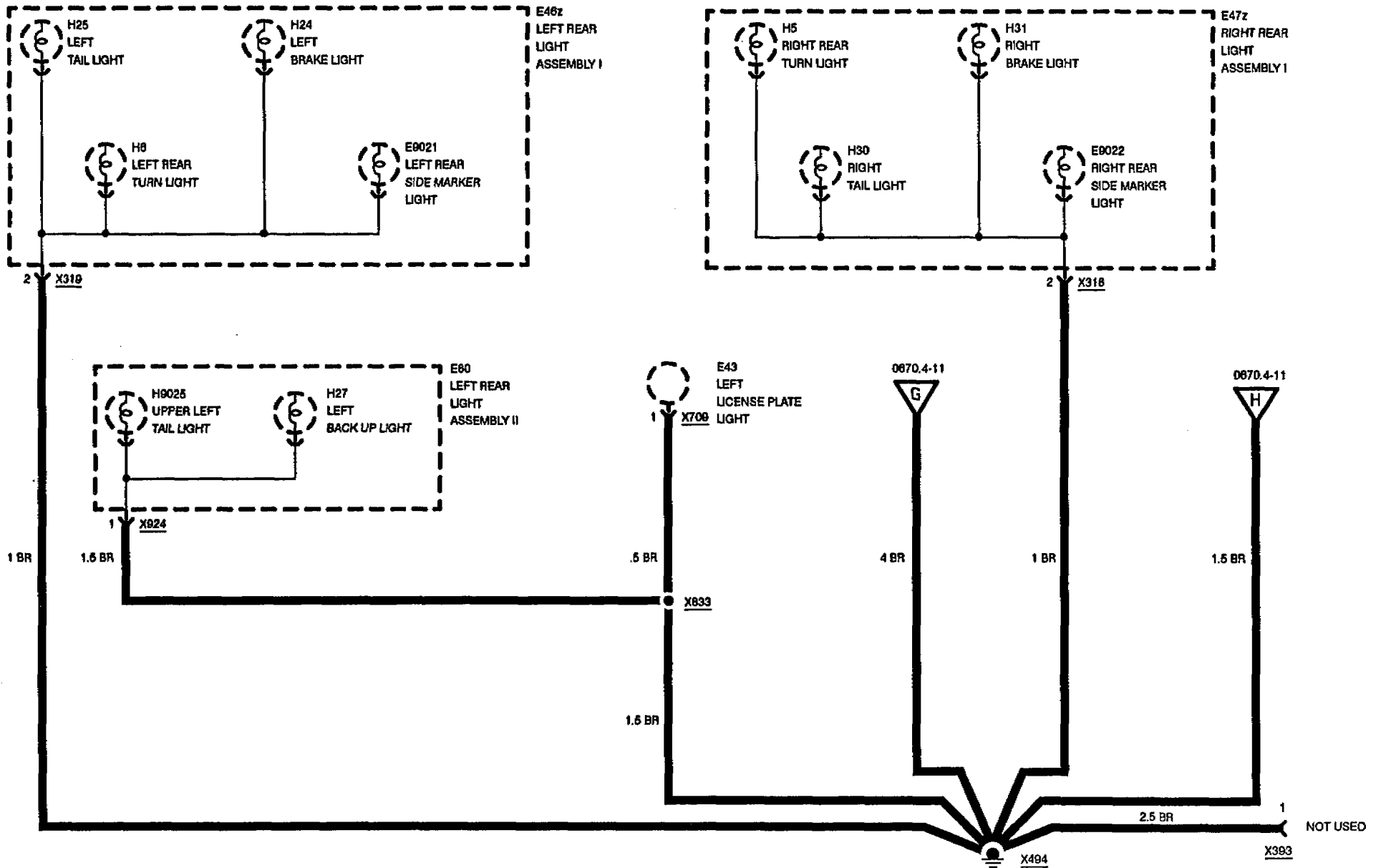
0670.4-11

1994



GROUND DISTRIBUTION

GROUND X494



09/93

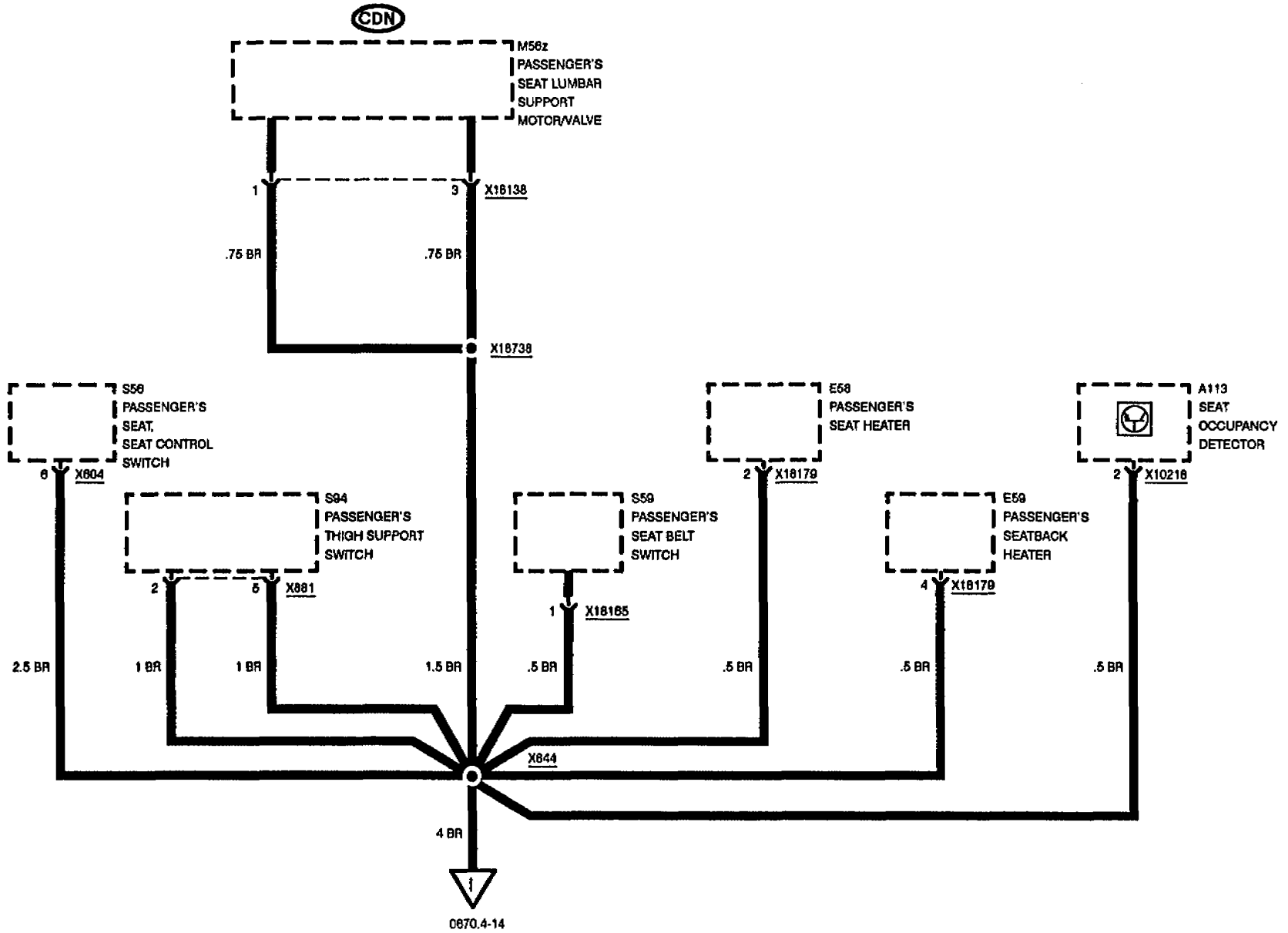
0670.4-12

1994



GROUND DISTRIBUTION

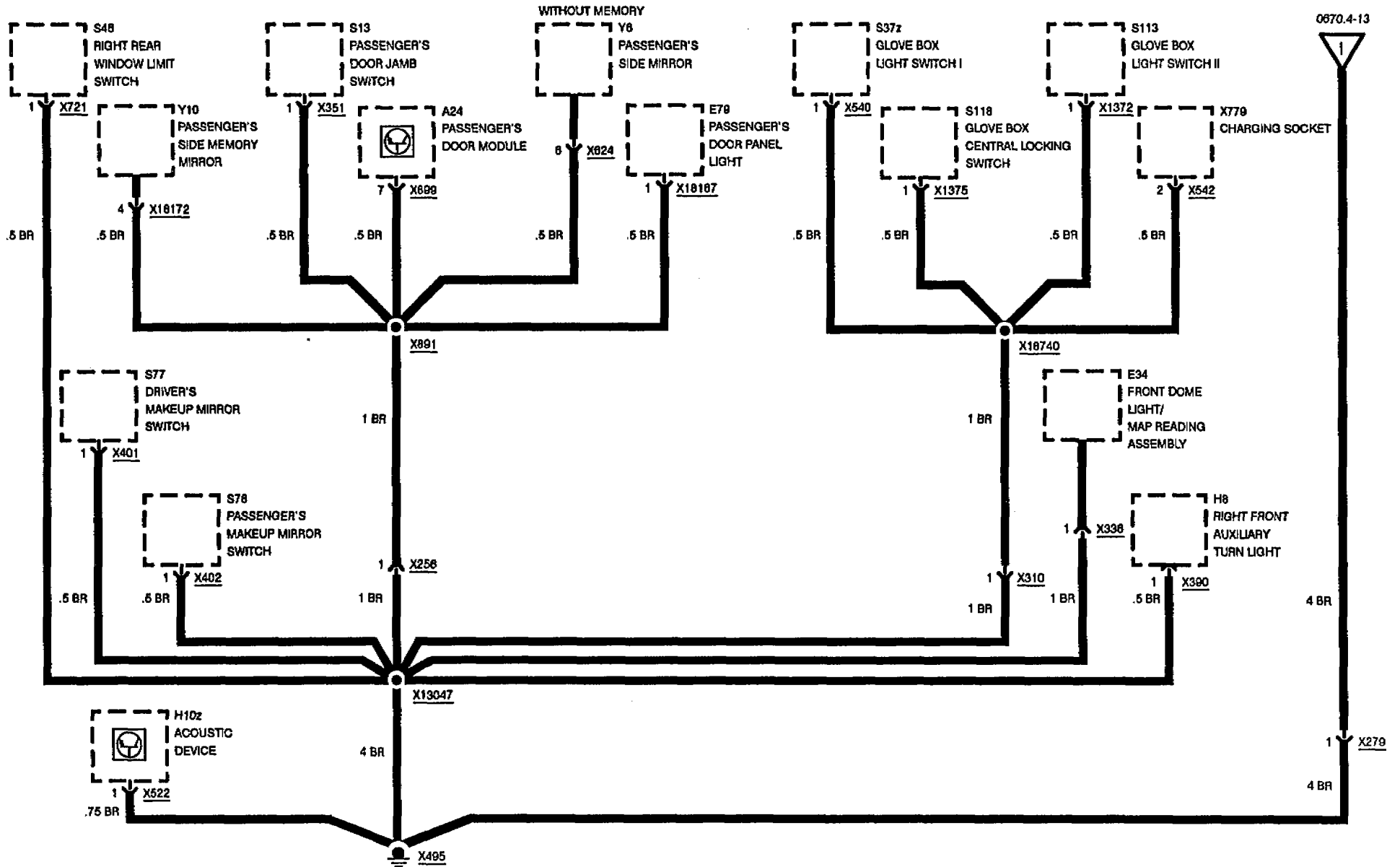
GROUND X495





GROUND DISTRIBUTION

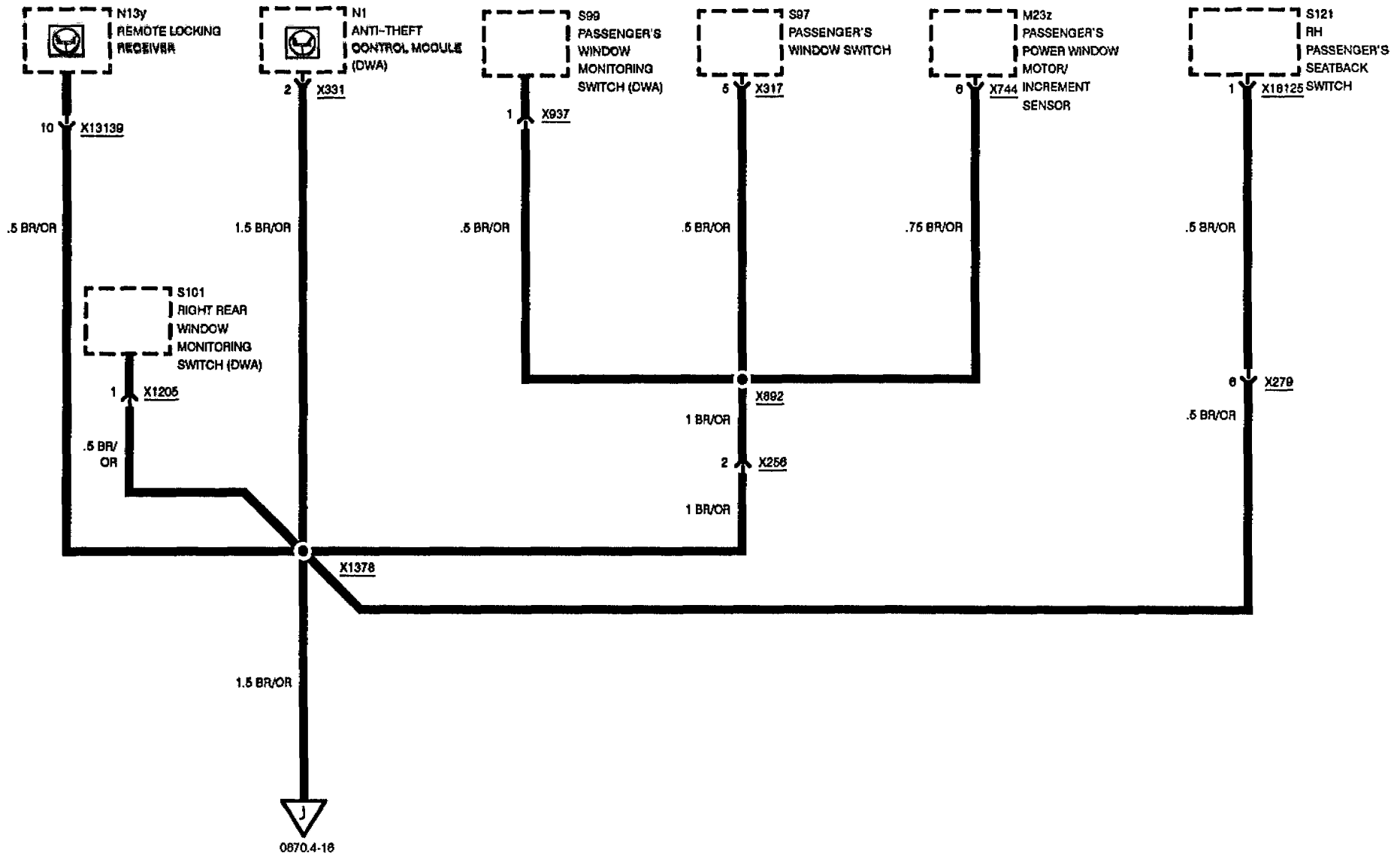
GROUND X495





GROUND DISTRIBUTION

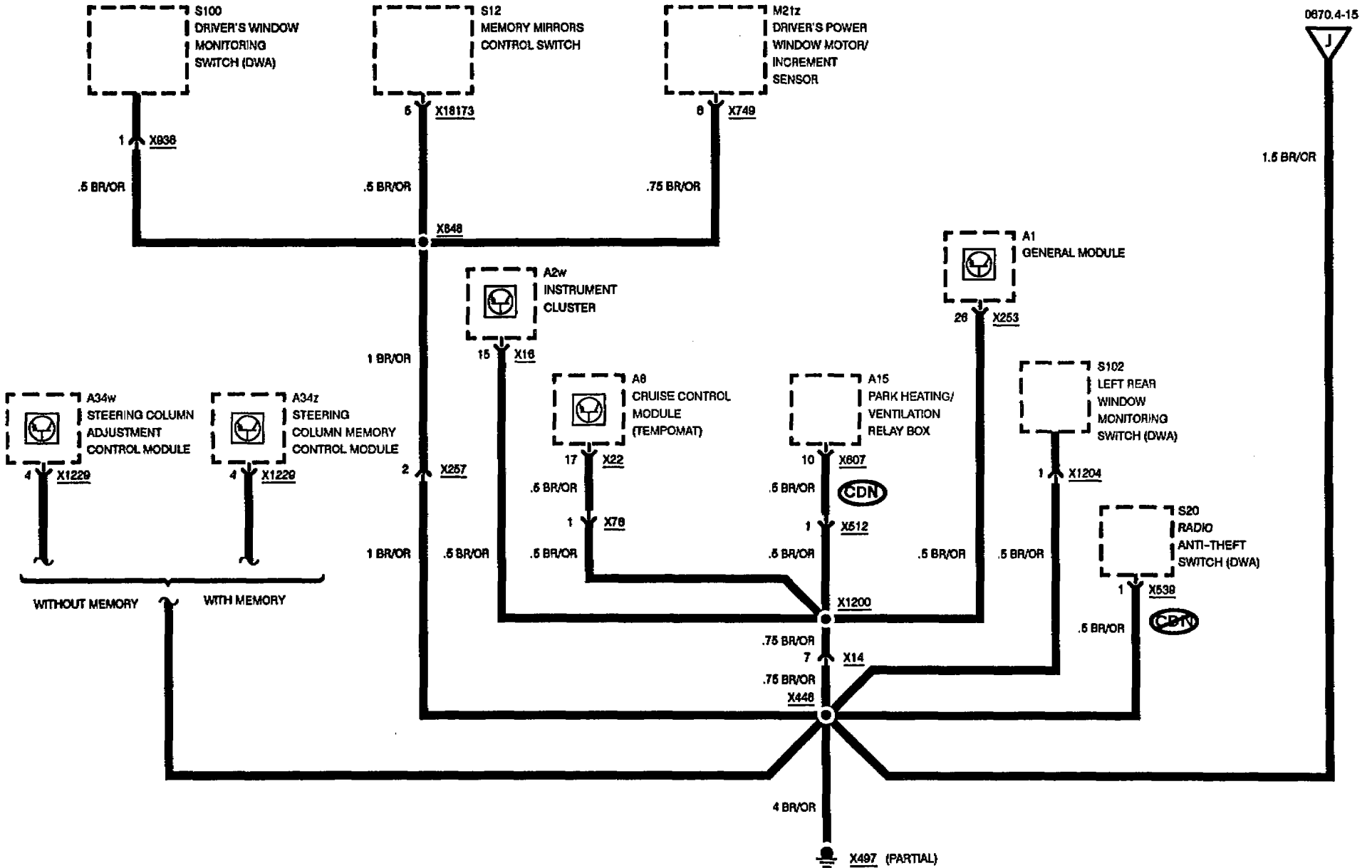
GROUND X497





GROUND DISTRIBUTION

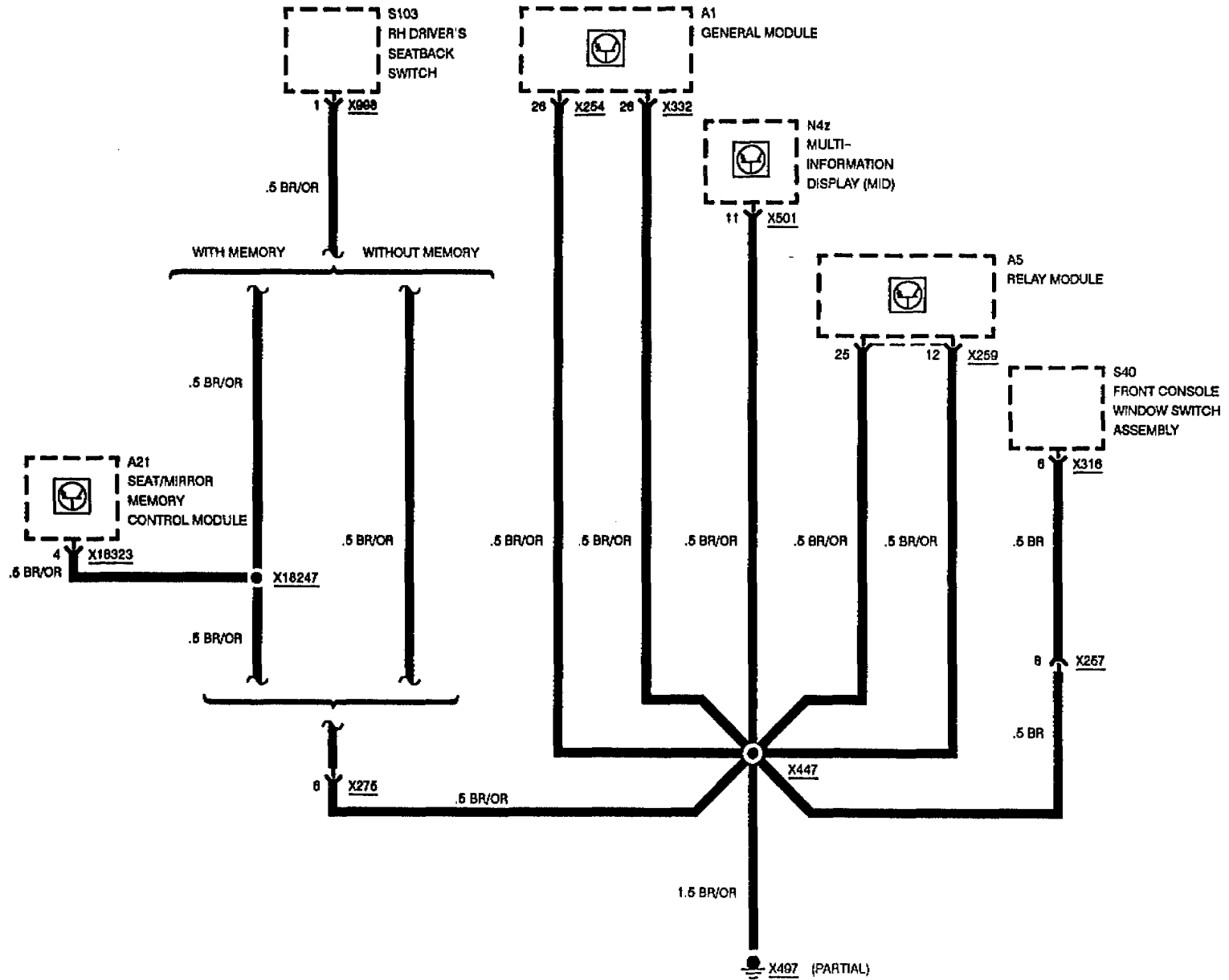
GROUND X497





GROUND DISTRIBUTION

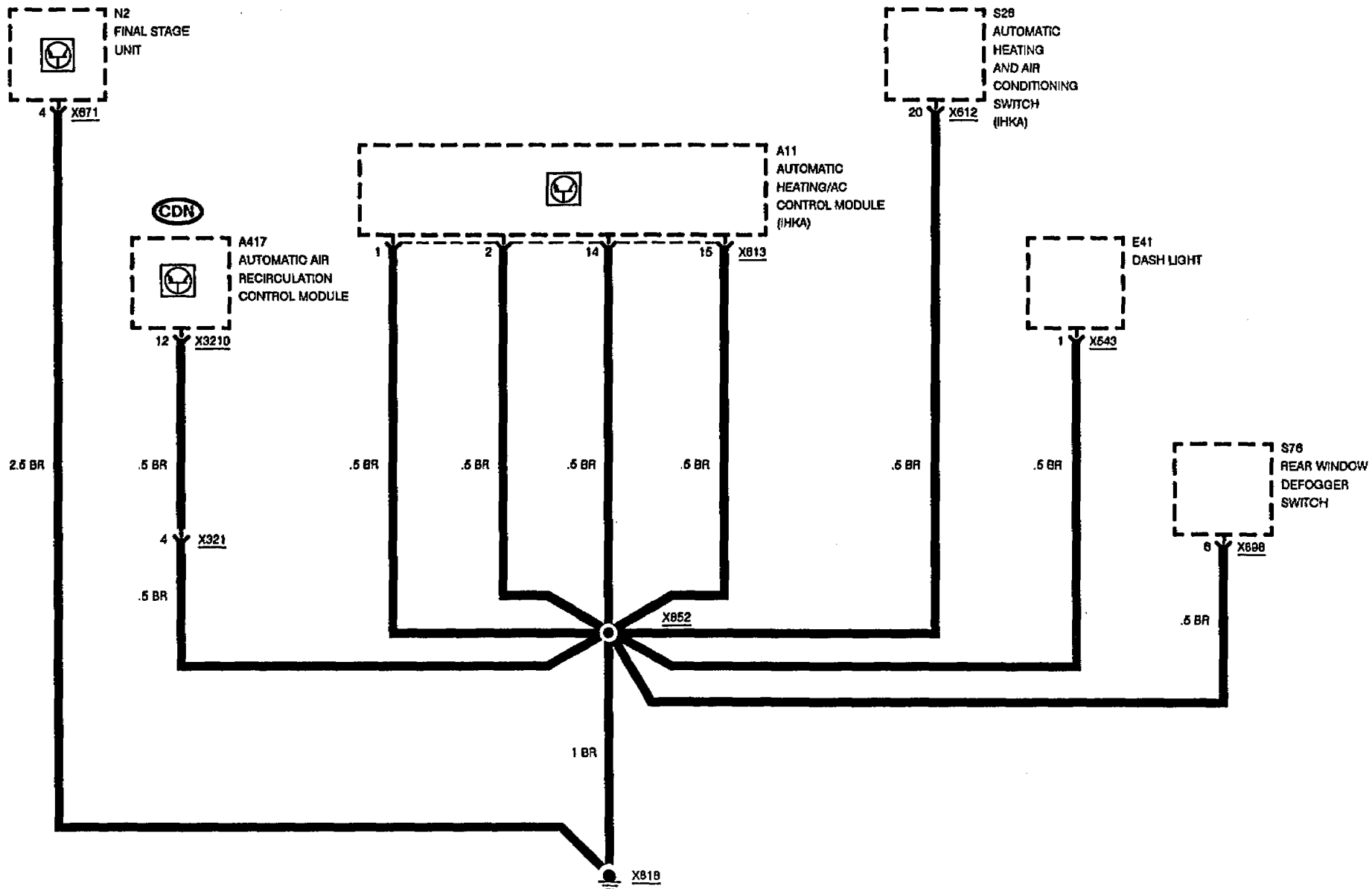
GROUND X497





GROUND DISTRIBUTION

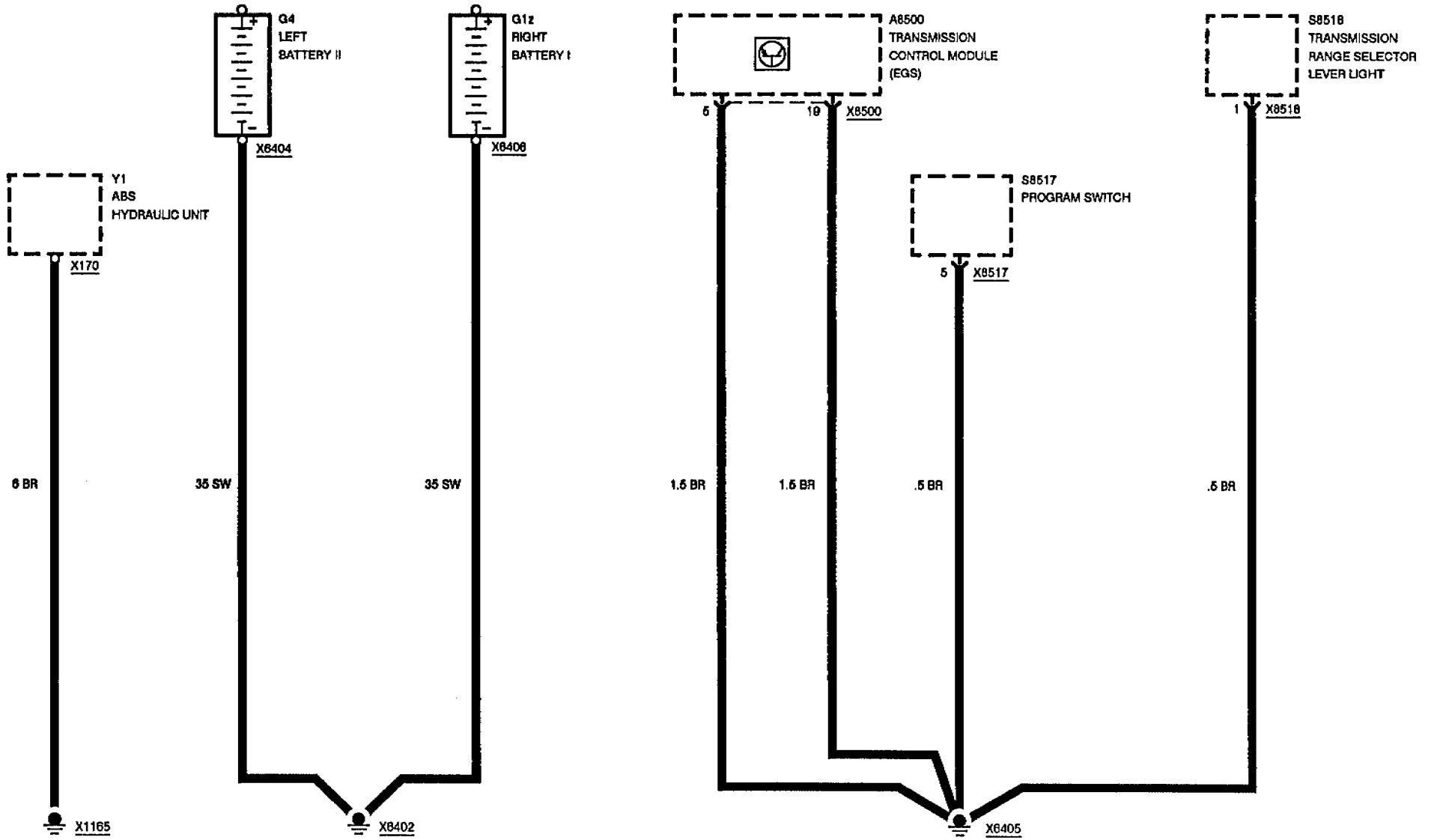
GROUND X818





GROUND DISTRIBUTION

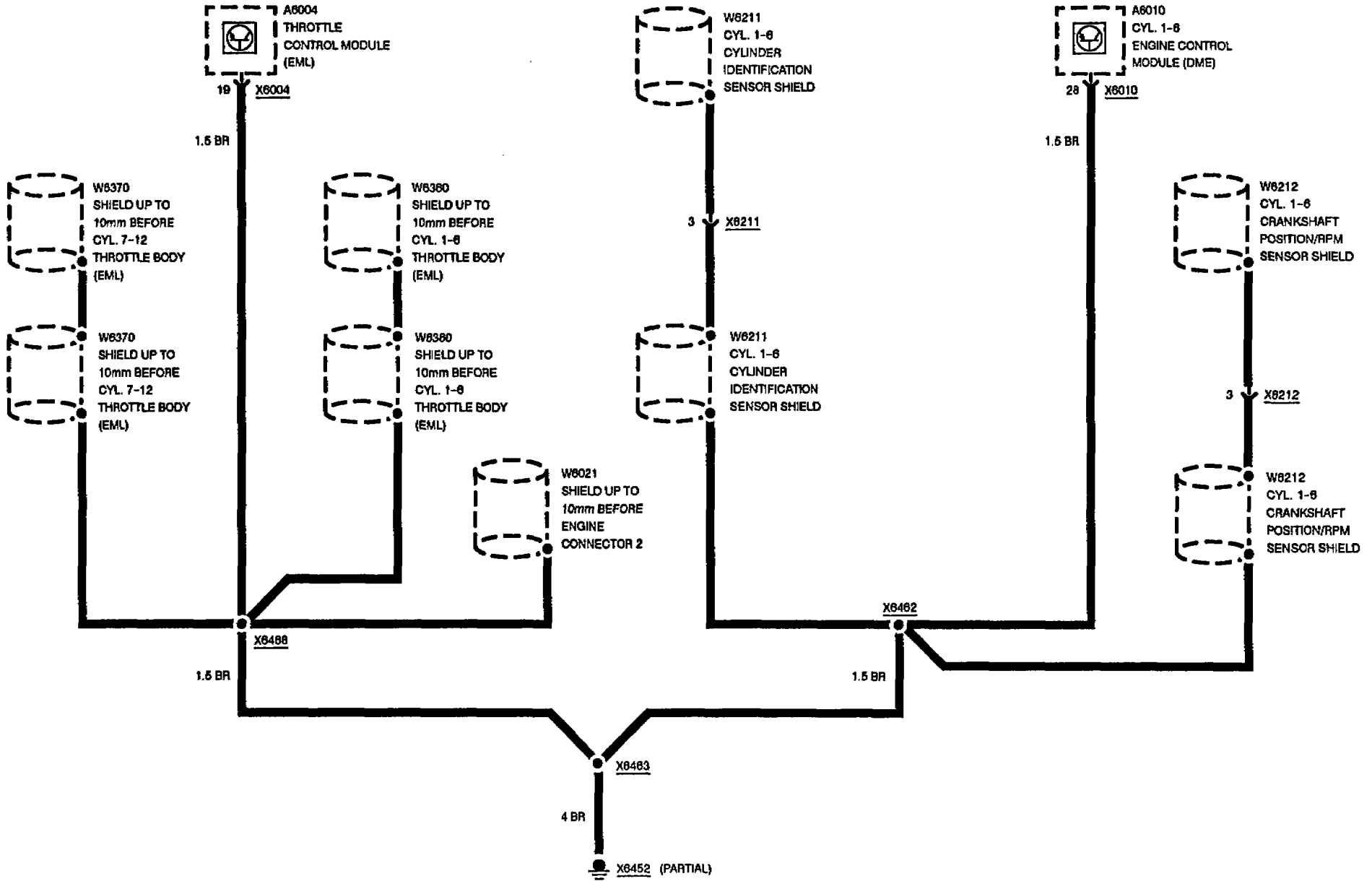
GROUNDS X1165, X6402, AND X6405





GROUND DISTRIBUTION

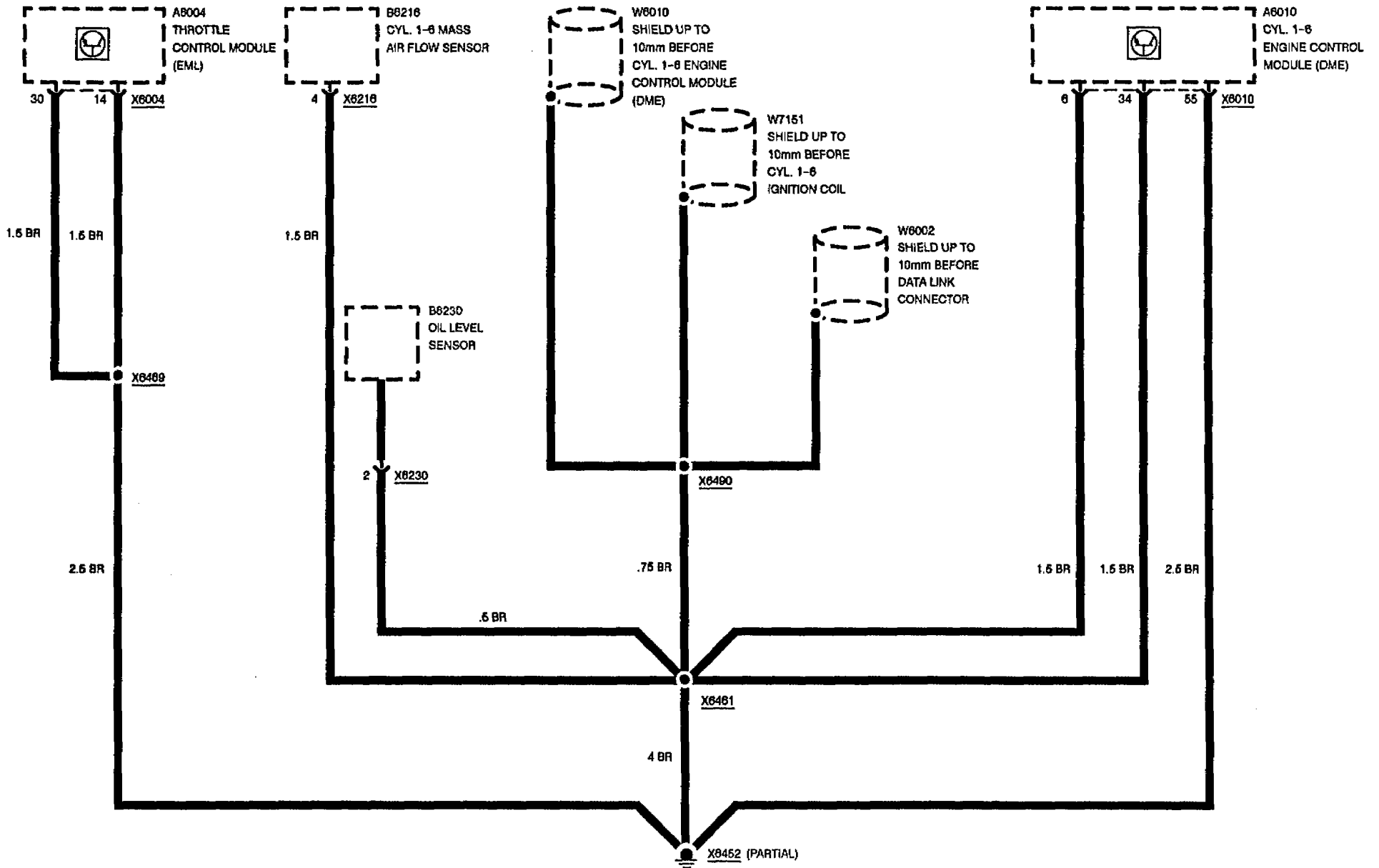
GROUND X6452





GROUND DISTRIBUTION

GROUND X6452

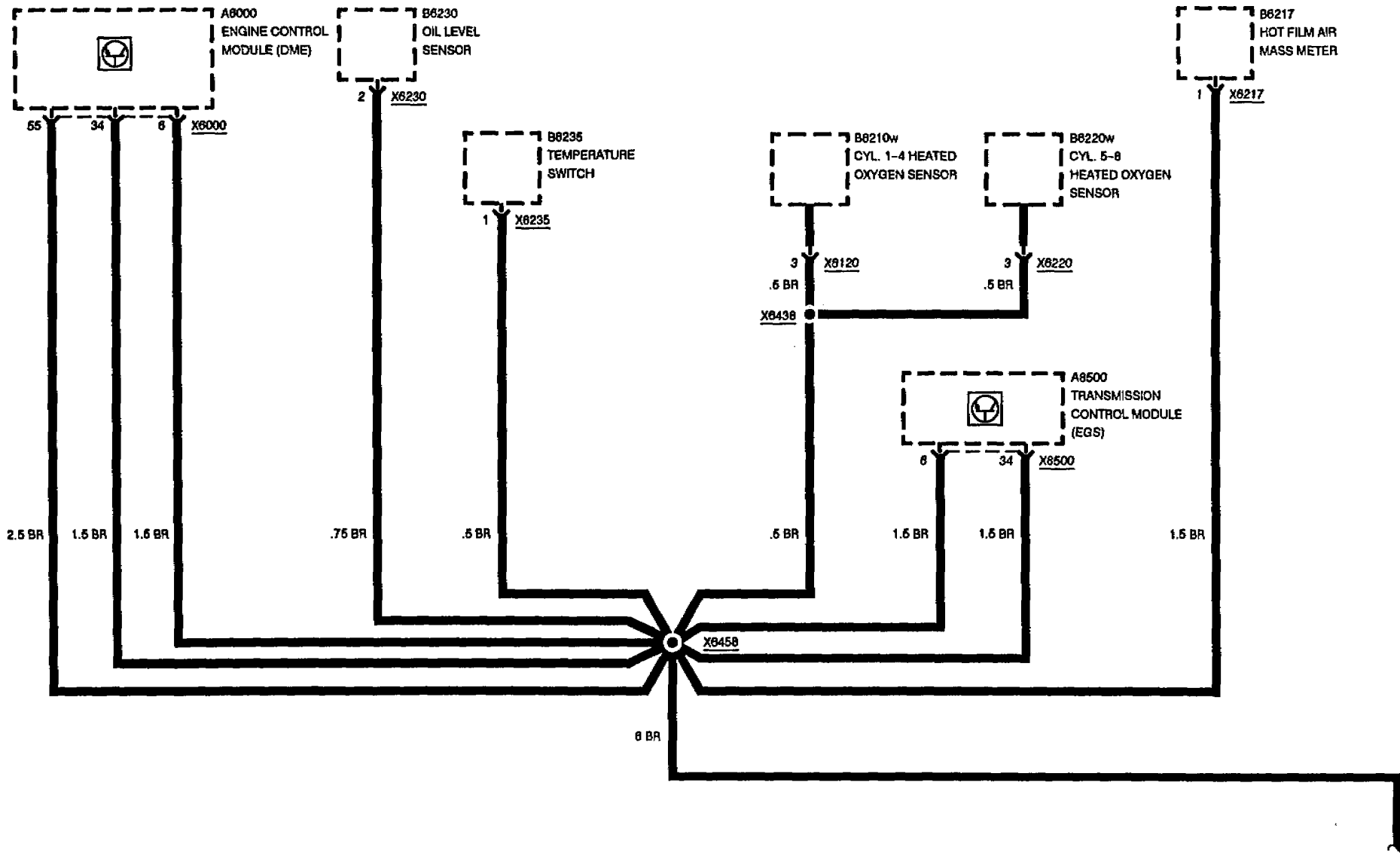


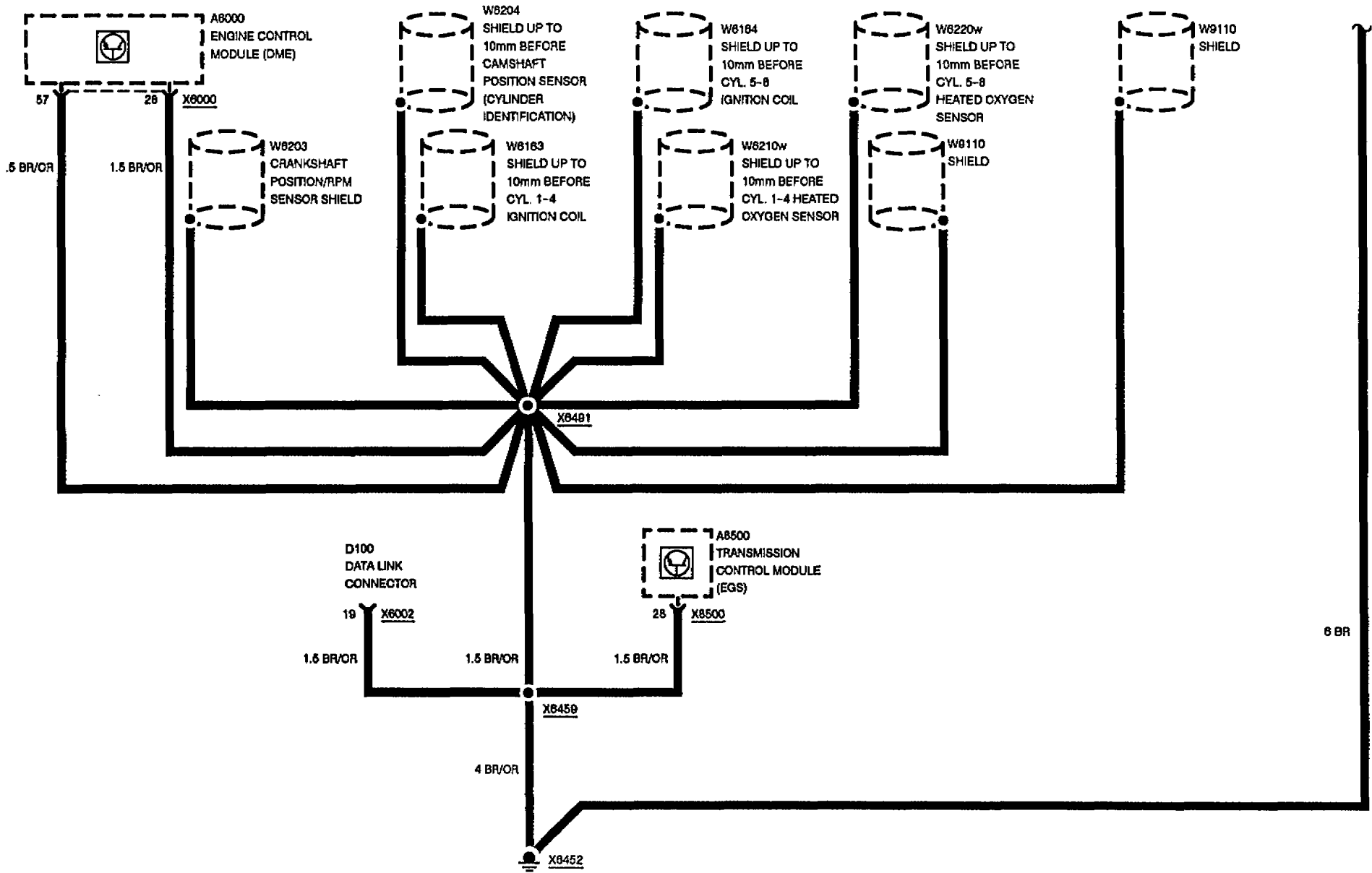


GROUND DISTRIBUTION

840Ci

GROUND X6452

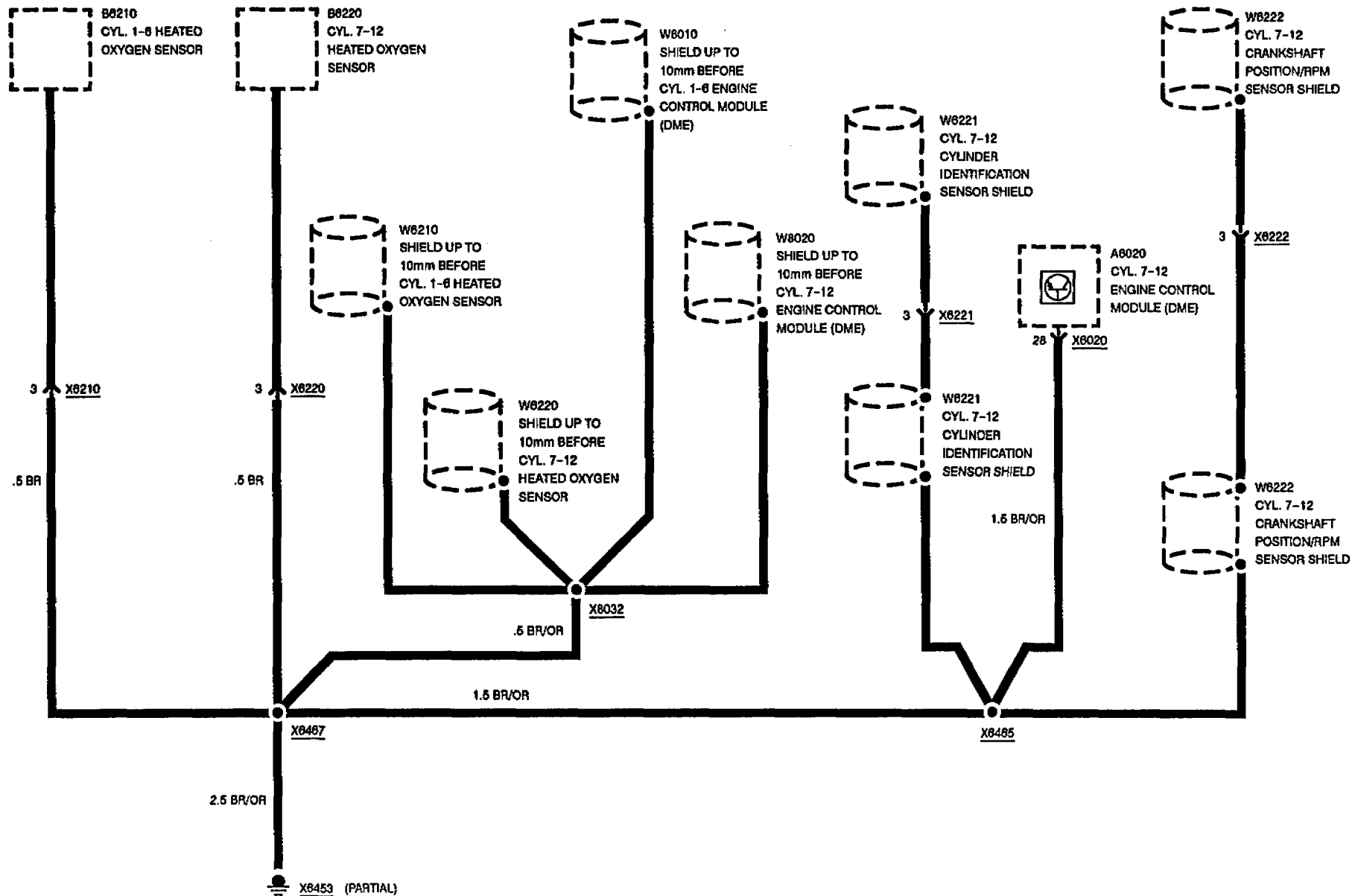






GROUND DISTRIBUTION

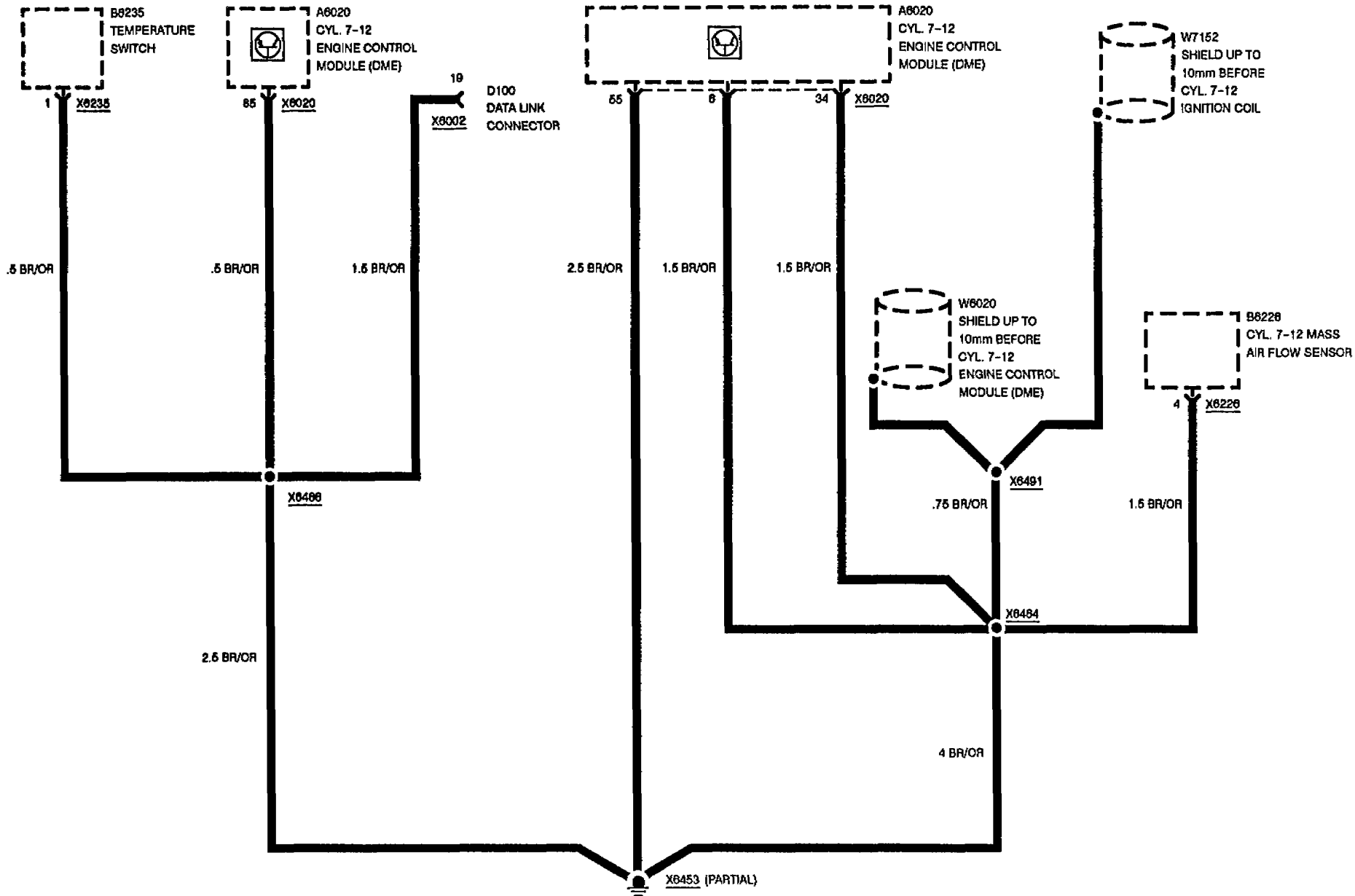
GROUND X6453





GROUND DISTRIBUTION

GROUND X6453

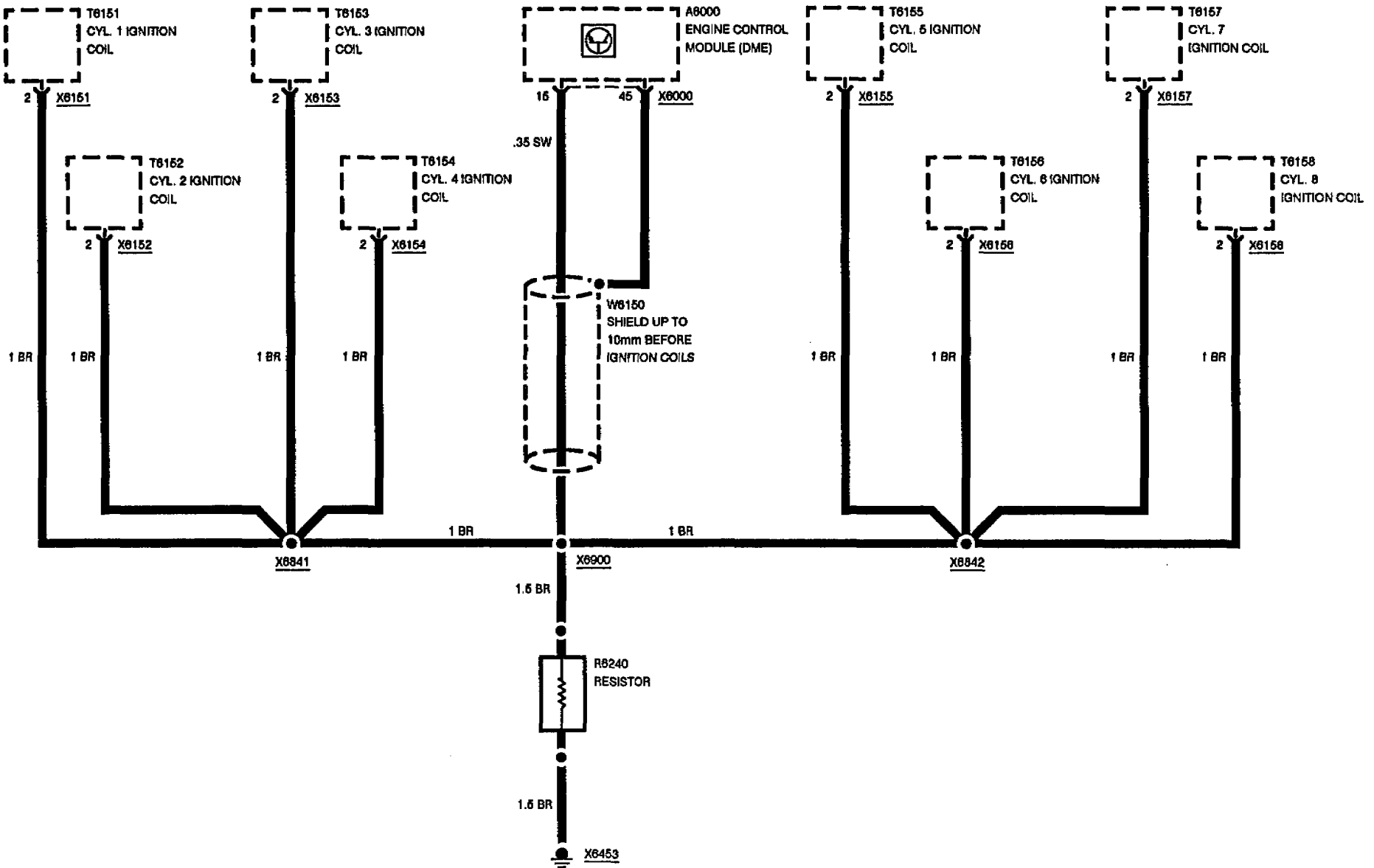




GROUND DISTRIBUTION

840Ci

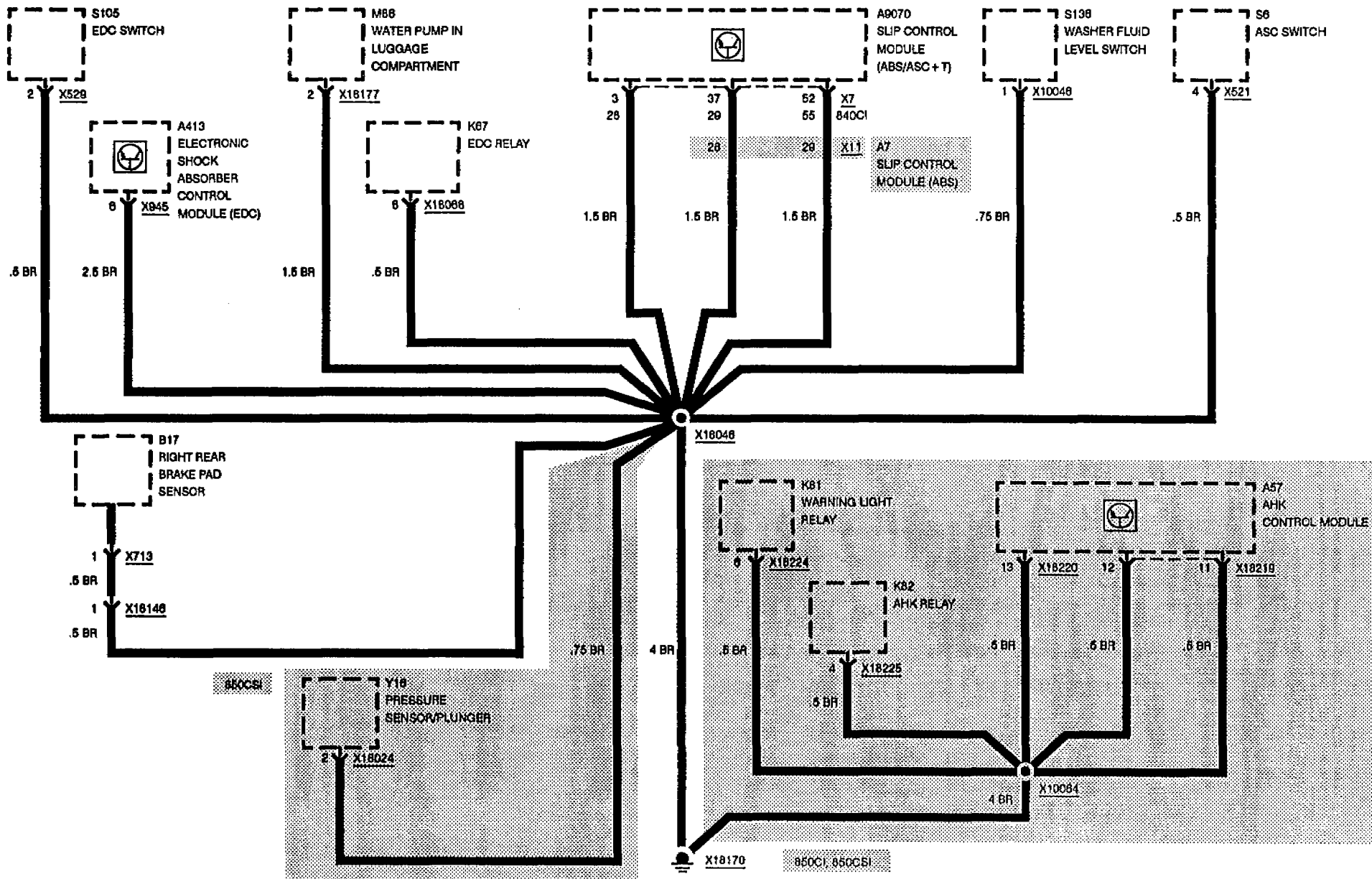
GROUND X6453



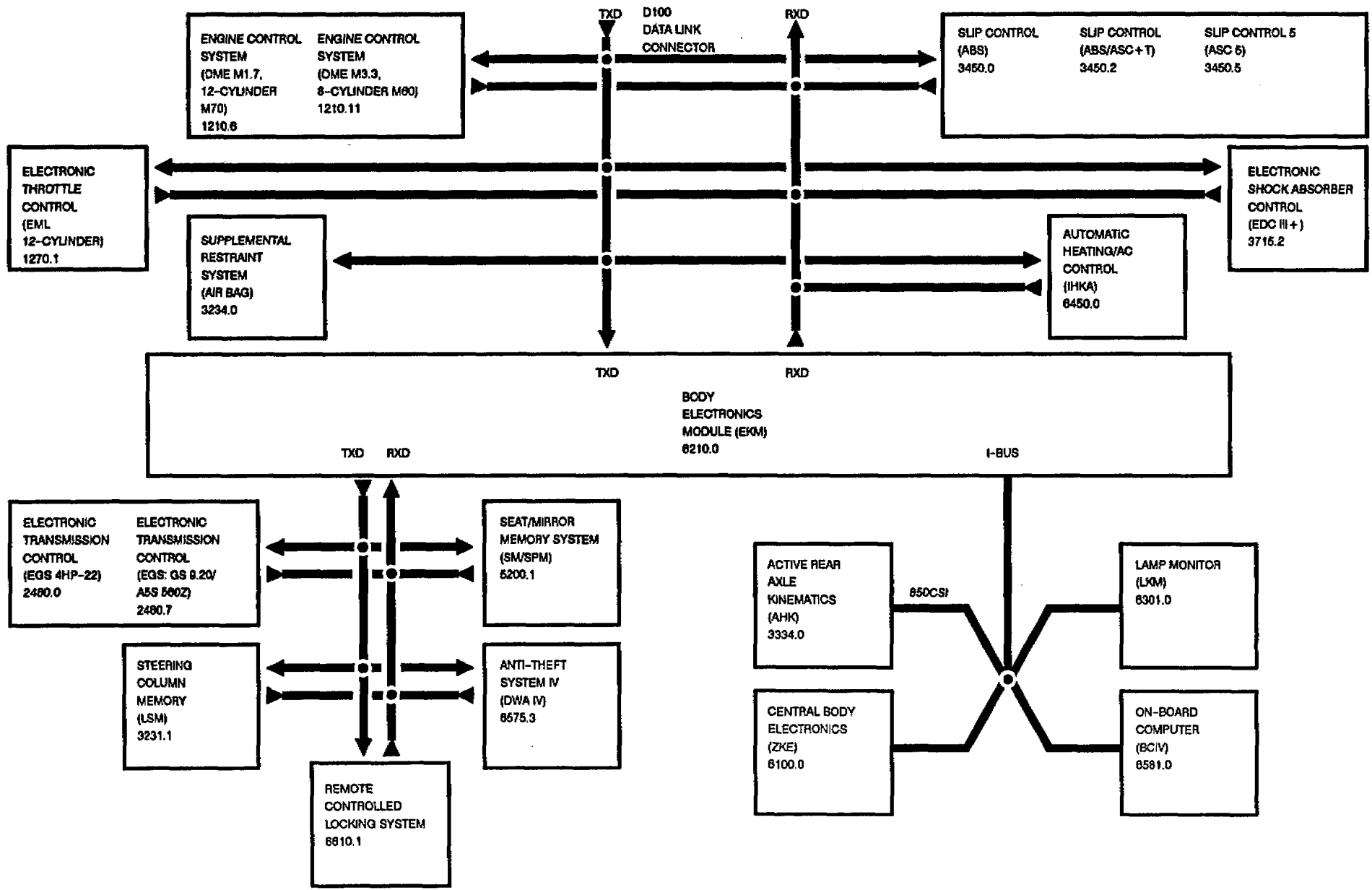


GROUND DISTRIBUTION

GROUND X18170



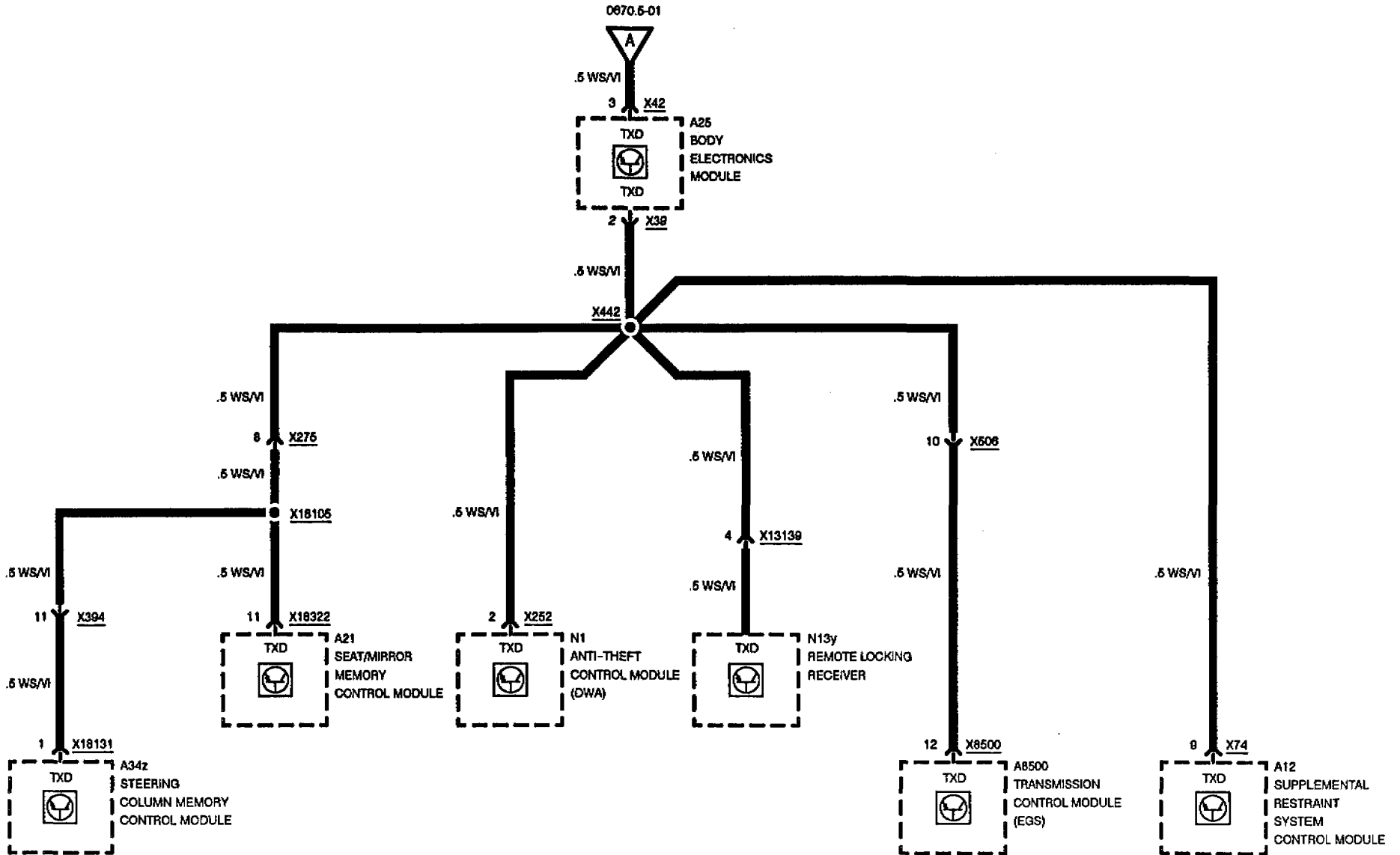
BMW
8 DATA LINK
BLOCK DIAGRAM





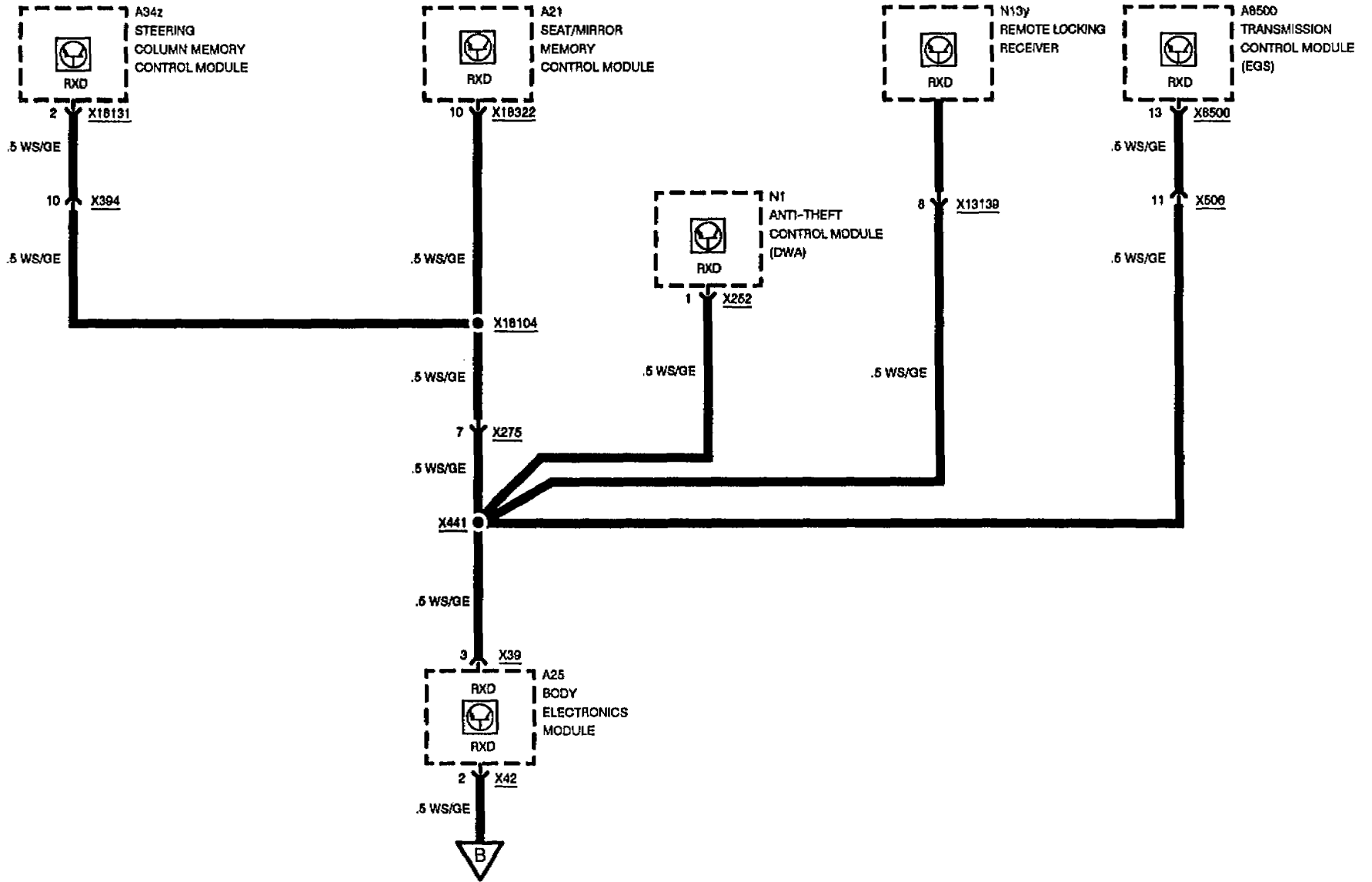
DATA LINK

TXD





DATA LINK RXD

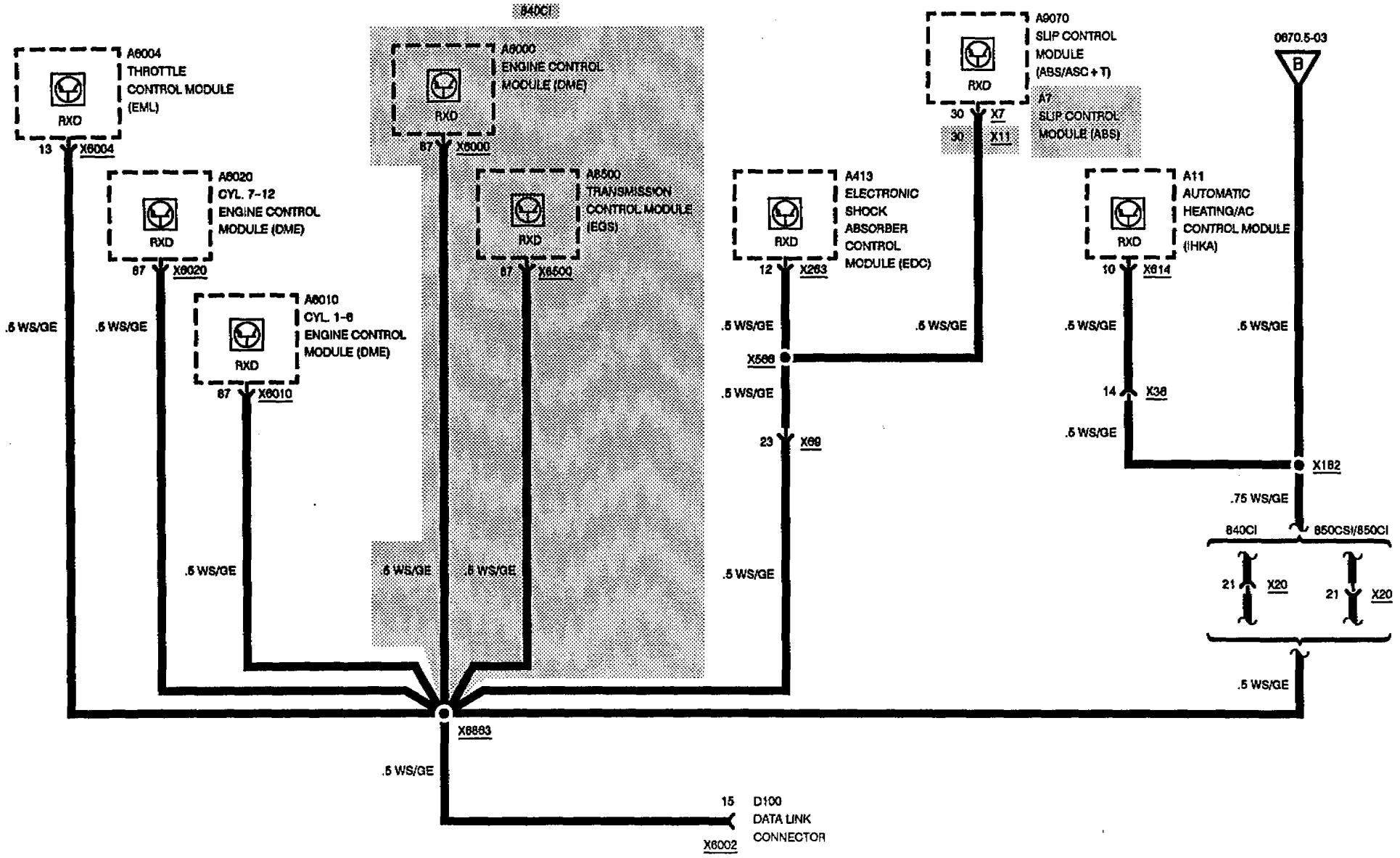


0670.5-04



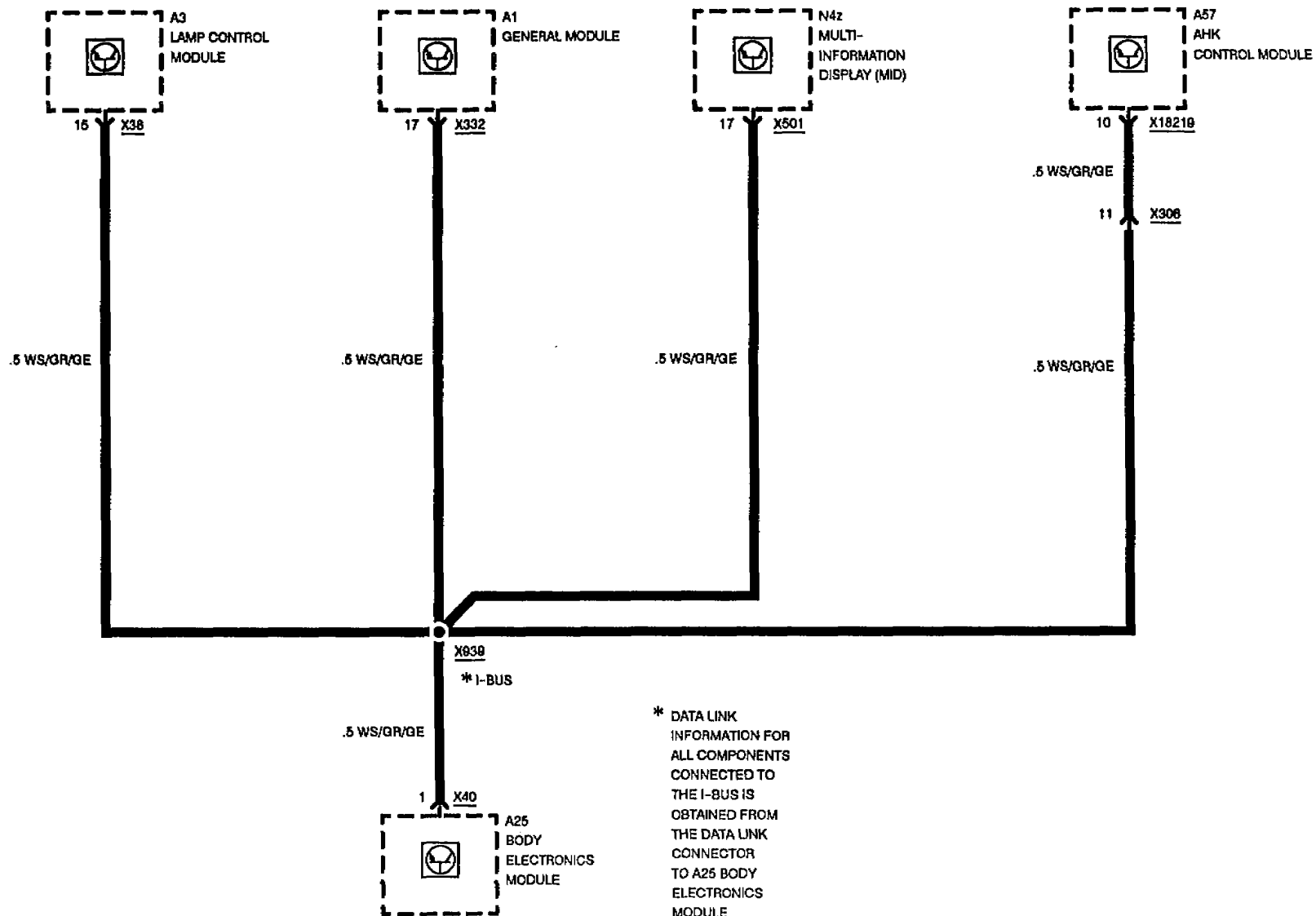
DATA LINK

RXD, PIN 15





DATA LINK INSTRUMENTATION BUS (I-BUS)

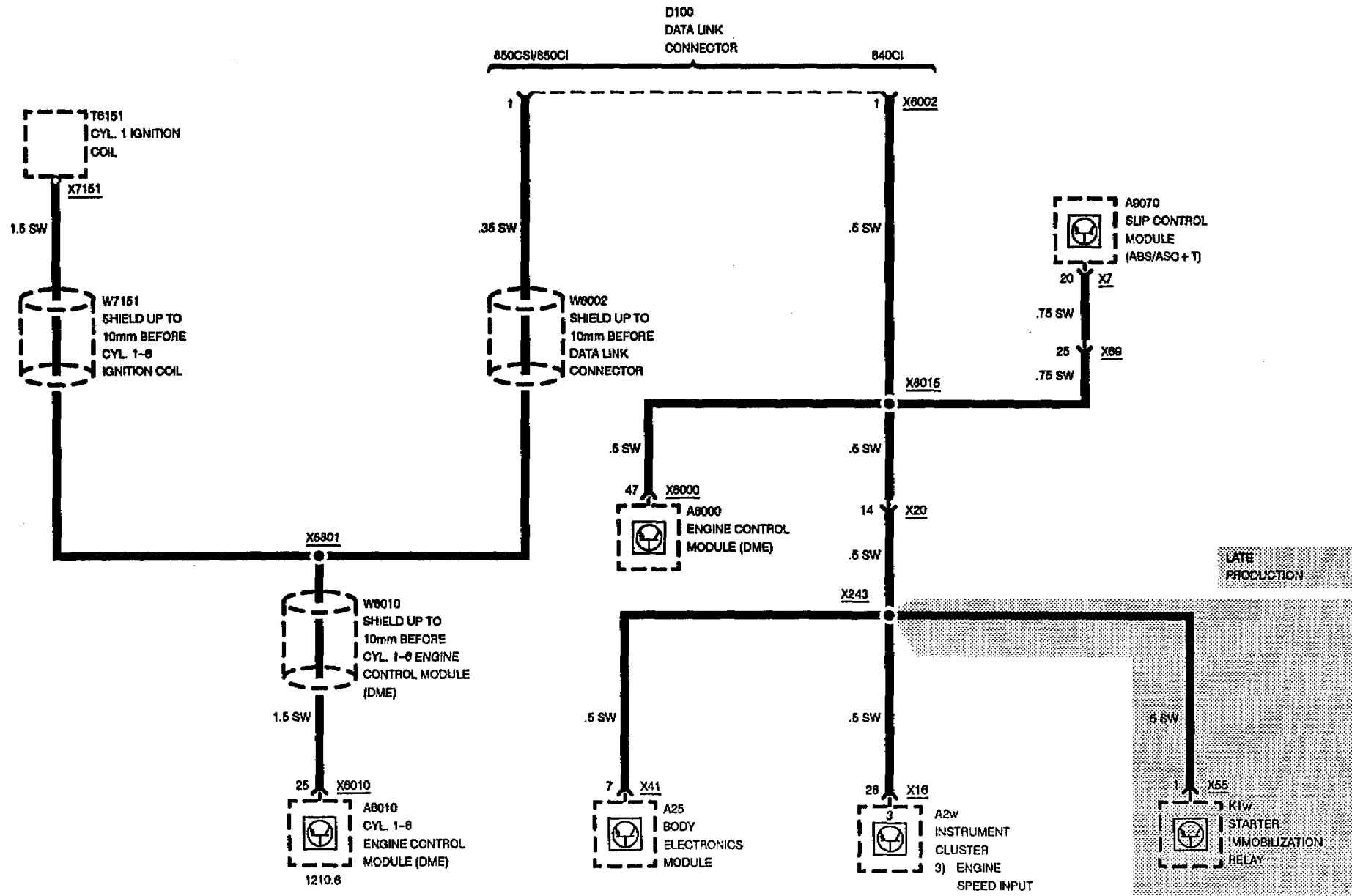


* DATA LINK
INFORMATION FOR
ALL COMPONENTS
CONNECTED TO
THE I-BUS IS
OBTAINED FROM
THE DATA LINK
CONNECTOR
TO A25 BODY
ELECTRONICS
MODULE



DATA LINK

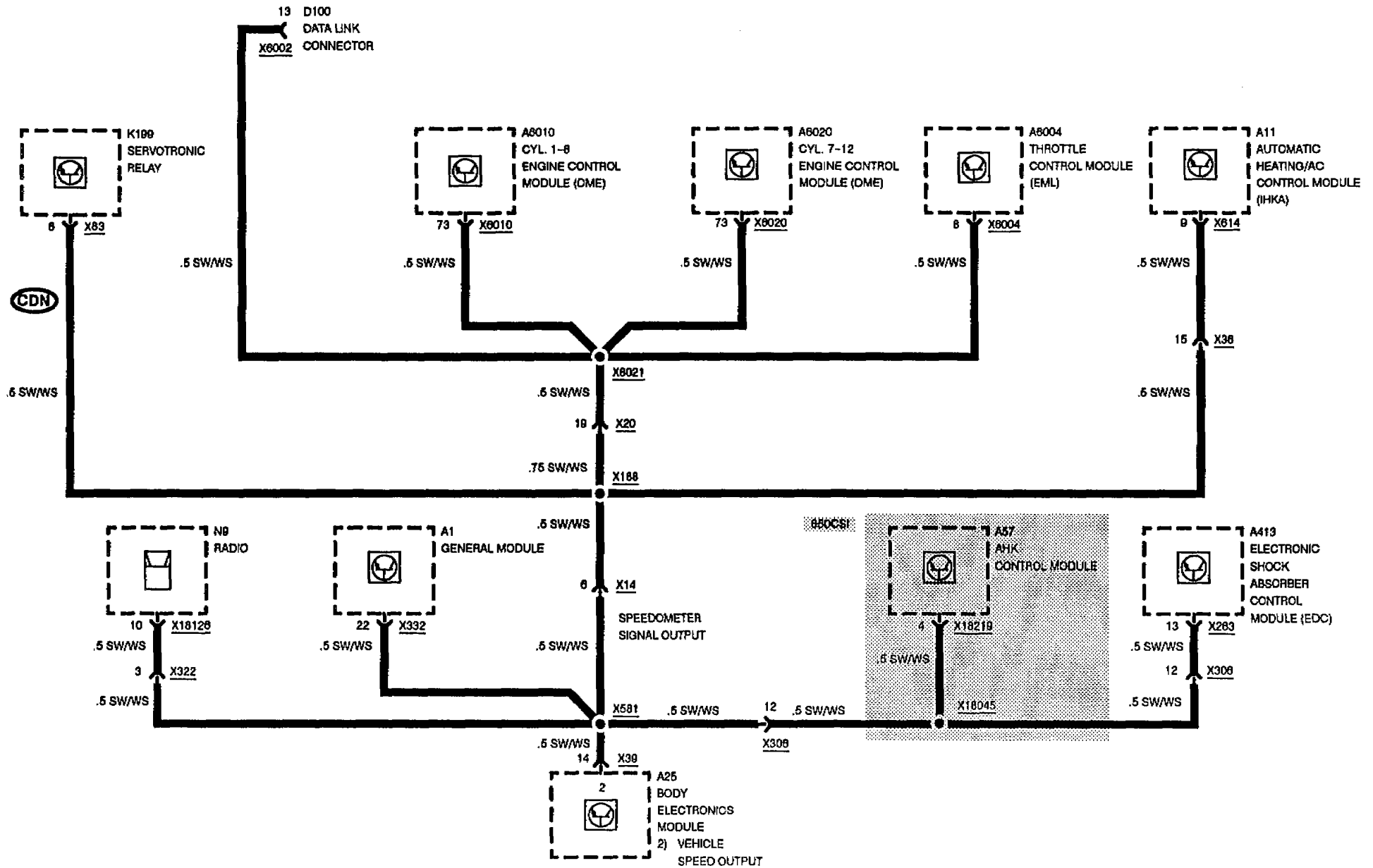
DATA LINK CONNECTOR PIN 1





DATA LINK

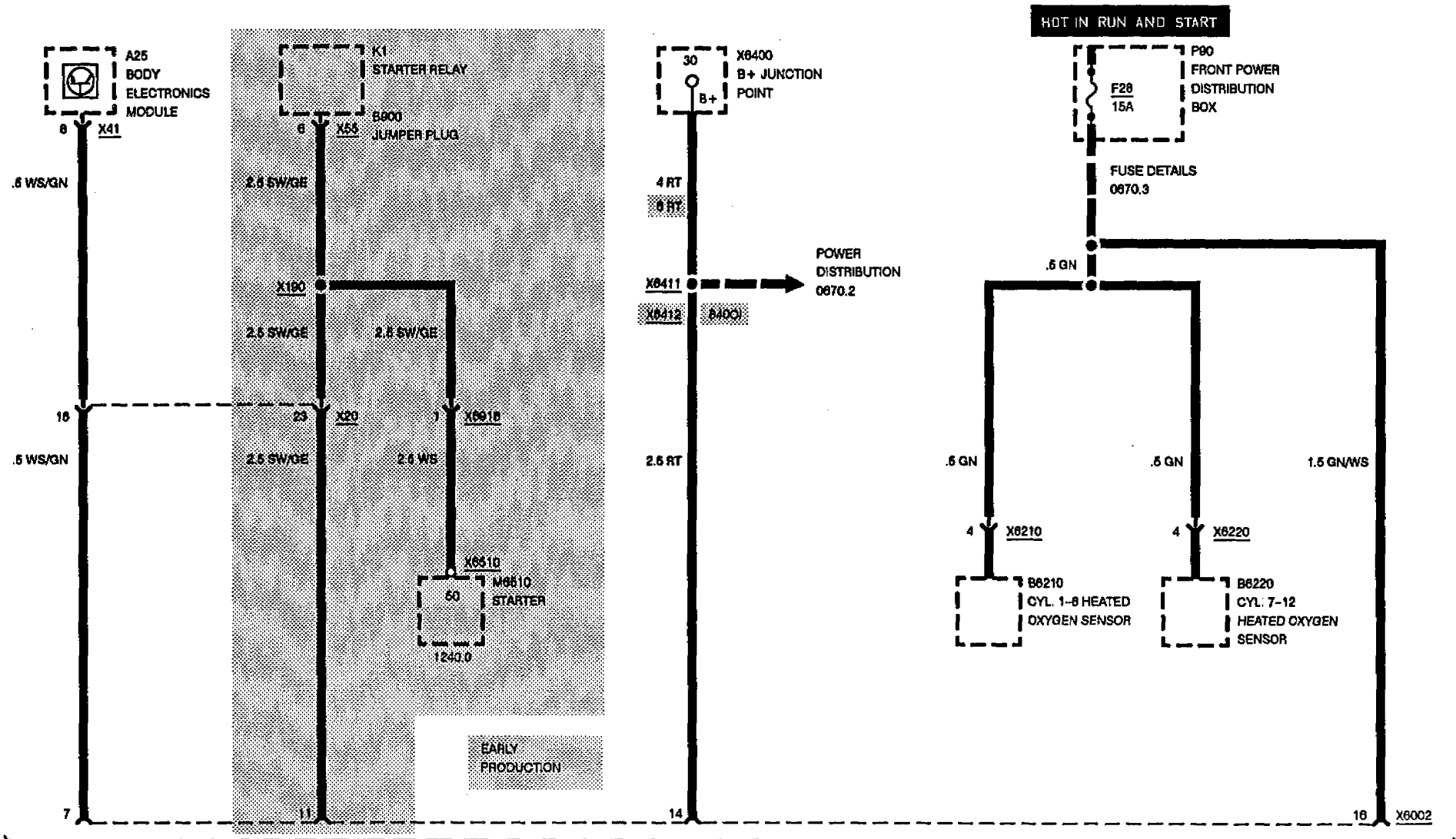
DATA LINK CONNECTOR PIN 13





DATA LINK

DATA LINK CONNECTOR PINS 7, 11, 14, AND 16



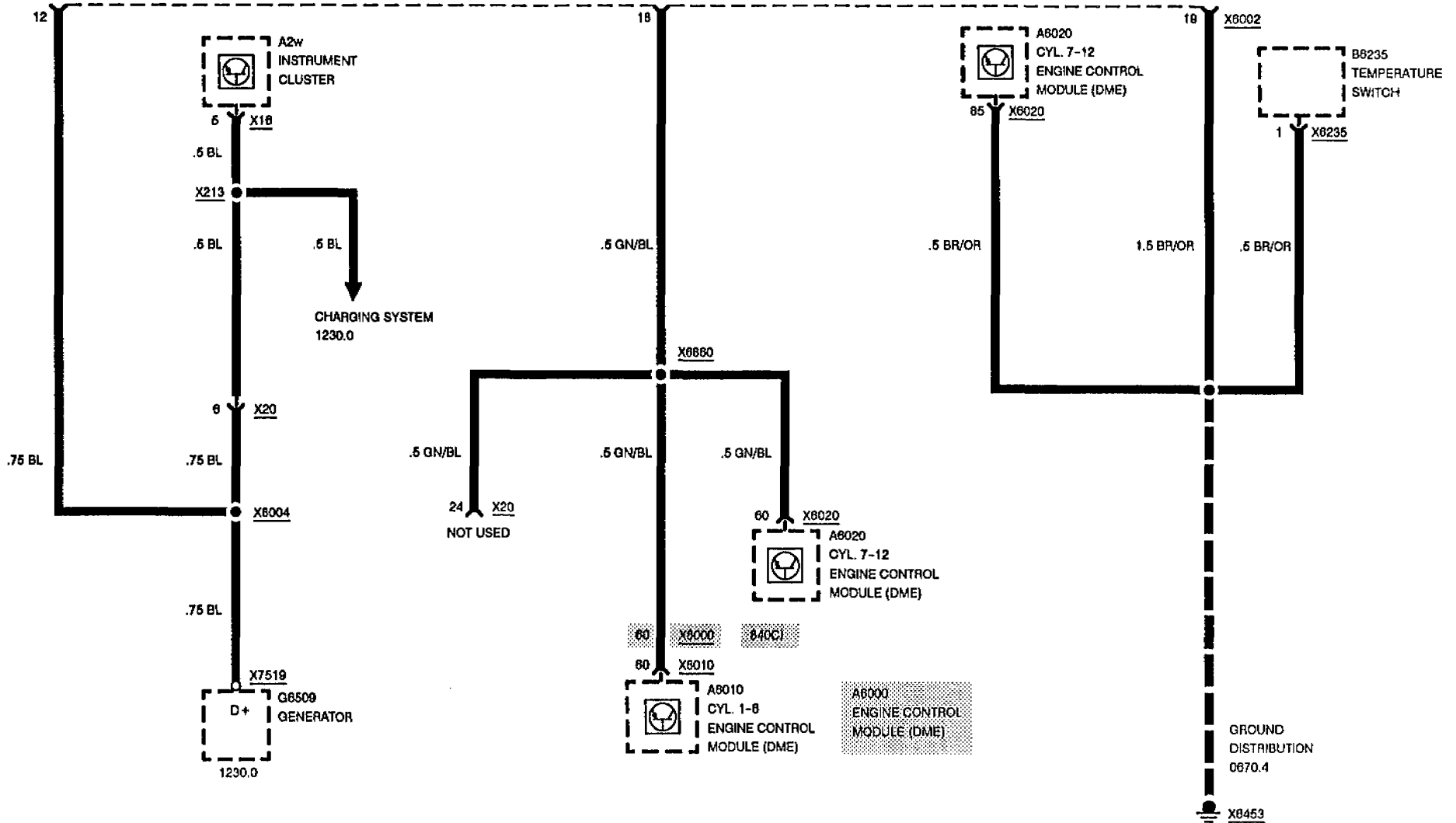
D100
DATA LINK
CONNECTOR



DATA LINK

DATA LINK CONNECTOR PINS 12, 18, AND 19

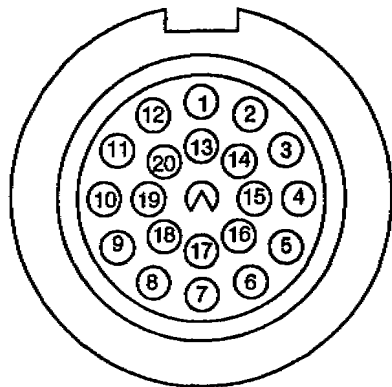
D100
DATA LINK
CONNECTOR





DATA LINK

DATA LINK CONNECTOR (X6002)

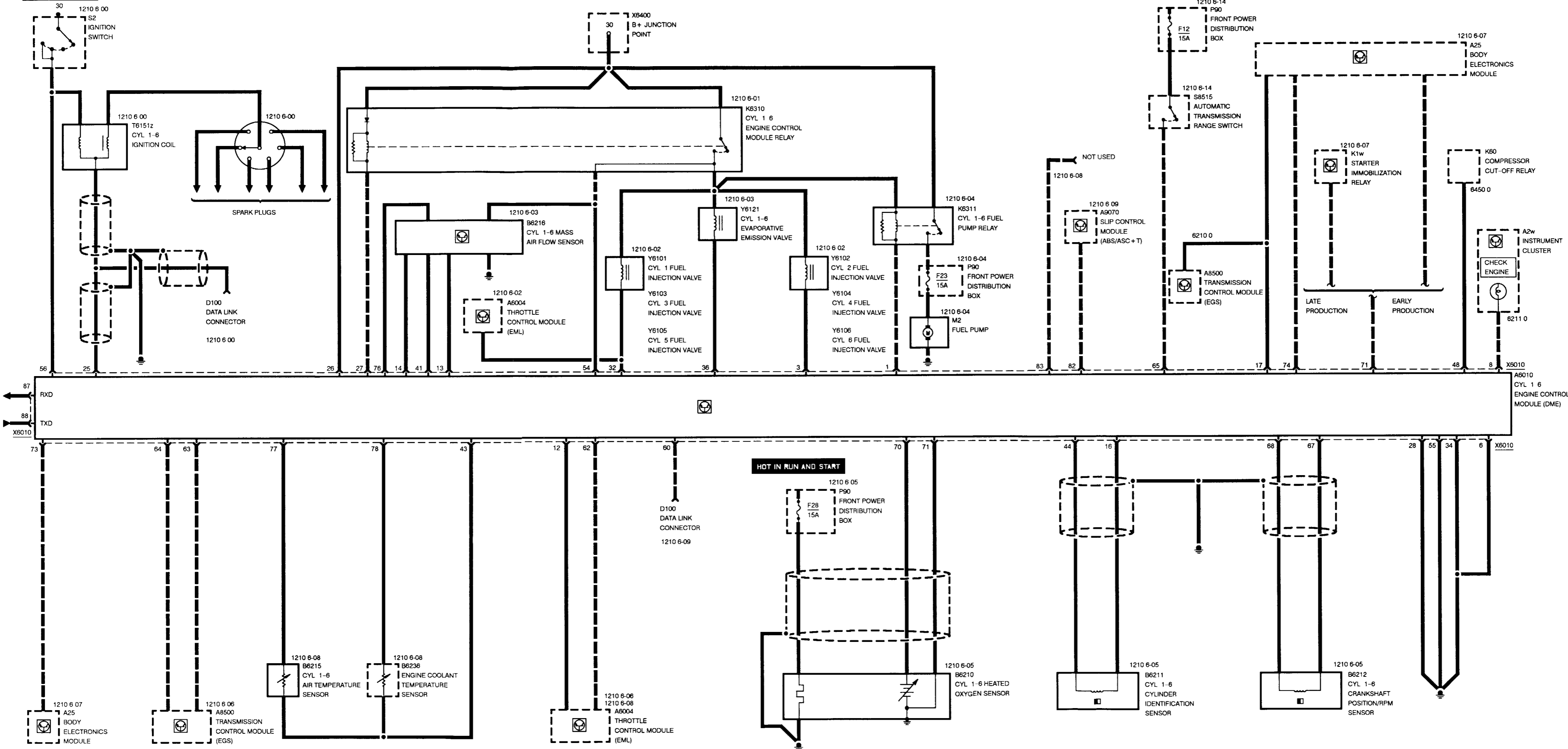


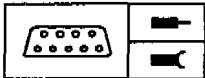
PIN NUMBER	TERMINAL NUMBER	TERMINAL DESCRIPTION	WIRE COLOR
1 (850CSI, 850CI)	1	IGNITION COIL	SW
1 (840CI)	RPM	SIGNAL ENGINE SPEED	SW
3	-	NOT OCCUPIED	
4	-	NOT OCCUPIED	
5	-	NOT OCCUPIED	
6	-	NOT OCCUPIED	
7	SI	SERVICE INDICATOR REMINDER	WS/GN
8	-	NOT OCCUPIED	
9	-	NOT OCCUPIED	
10	-	NOT OCCUPIED	
11 EARLY PROD.	50	VOLTAGE: IGNITION SWITCH IN START	SW/GE
11 LATE PROD.	-	NOT OCCUPIED	
12	61(D+)	GENERATOR CHARGE INDICATOR	BL
13	TACH	SPEEDOMETER SIGNAL OUTPUT	SW/WS
14	30	VOLTAGE: HOT AT ALL TIMES	RT
15	RXD	DIAGNOSTIC DATA LINK	WS/GE
16	15S	VOLTAGE: IGNITION SWITCH IN RUN AND START	GN/WS
17	-	NOT OCCUPIED	
18	PGS	PROGRAM SELECT FOR ENGINE CONTROL MODULE (DME)	GN/BL
19	31	GROUND	BR
20	TXD	DIAGNOSTIC DATA LINK	WS/VI

HOT AT ALL TIMES

HOT AT ALL TIMES

HOT IN RUN AND START



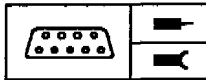


Pin Assignments

X6010

Pin	Type	Description/Function	Connection
1	A	Fuel pump relay and crankshaft reference signal (TR)	Fuel pump relay and transmission control module (EGS) torque converter clutch
2		Not used	
3	A	Fuel injector valves cyl. 2 - 4 - 6	Fuel injector valves
4		Not used	
5		Not used	
6	M	Ground, fuel injector valve output stages	Ground point
7		Not used	
8	A	Service reminder indicator (US only)	Instrument cluster
9		Not used	
10		Not used	
11		Not used	
12	E	Wide open throttle signal (VL)	Electronic throttle control module (EML)
13	A	Free combustion	Mass air flow sensor
14	M	Ground, mass air flow sensor	Mass air flow sensor
15		Not used	
16	E	Cylinder identification sensor (ignition)	Cylinder identification sensor (connection B)
17	A	Injection measuring signal (ti) (KVA signal)	Body electronics module (EKM)
18		Not used	
19		Not used	
20		Not used	
21		Not used	
22		Not used	
23		Not used	
24		Not used	
25	A	Ignition, terminal 1	Cyl. 1 - 6 ignition coil
26	E	Battery voltage	B+ junction point
27	A	Engine control module relay	Engine control module relay terminal 85 (additionally, jumper to second engine control module relay)

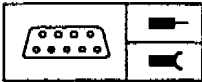
E = Input, A = Output, M = Ground



Pin Assignments

Pin	Type	Description/Function	Connection
28	M	Ground for electronics and shielding the sensors	Ground point
29		Not used	
30		Not used	
31		Not used	
32	A	Fuel injector valves cyl. 1 - 3 - 5	Fuel injector valves and electronic throttle control module (EML)
33		Not used	
34	M	Ground, remaining output stages (except for ignition and fuel injector valves)	Ground point
35		Not used	
36	A	Fuel evaporation purge valve	Fuel evaporation purge valve
37		Not used	
38		Not used	
39		Not used	
40		Not used	
41	E	Mass air flow sensor signal	Mass air flow sensor
42		Not used	
43	M	Ground for sensors	Temperature sensors
44	E	Cylinder identification sensor (ignition)	Cylinder identification sensor (connection A)
45		Not used	
46		Not used	
47		Not used	
48	A	Compressor cut-off signal	Compressor cut-off relay
49		Not used	
50		Not used	
51		Not used	
52		Not used	
53		Not used	
54	E	Battery voltage from engine control module relay	Engine control module relay
55	M	Ground, ignition	Ground point
56	E	Ignition, terminal 15	Ignition switch

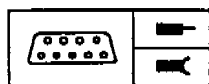
E = Input, A = Output, M = Ground



Pin Assignments

Pin	Type	Description/Function	Connection
57		Not used	
58		Not used	
59		Not used	
60	E	Programming voltage	Data link connector
61		Not used	
62	E	Idle signal (LL)	Electronic throttle control module (EML)
63	E	Torque converter clutch (WK)	Transmission control module (EGS)
64	E	Ignition timing intervention	Transmission control module (EGS)
65	E	Park/Neutral sensing	Automatic transmission range switch
66		Not used	
67	E	Inductive pulse generator (connection B)	Pulse generator, crankshaft rpm sensor
68	E	Inductive pulse generator (connection A)	Pulse generator, crankshaft rpm sensor
69		Not used	
70	E	Oxygen sensor signal	Heated oxygen sensor
71	M	Ground, oxygen sensor	Heated oxygen sensor
72		Not used	
73	E	Speedometer signal	Body electronics module (EKM)
74	A	Engine speed signal (TD)	Body electronics module (EKM)
75		Not used	
76	E	Idle CO-potentiometer	Mass air flow sensor
77	E	Intake air temperature	Engine intake air temperature sensor
78	E	Engine coolant temperature	Engine coolant temperature sensor
79		Not used	
80		Not used	
81	E	Antiheft signal (Early Production)	Body electronics module (EKM)
81	E	Antiheft signal (Late Production)	Starter immobilization relay
82	E	ASC ignition angle control (MSR)	ASC + T control unit
83		Not used	
84		Not used	
85		Not used	
86		Not used	

E = Input, A = Output, M = Ground



Pin Assignments

Pin	Type	Description/Function	Connection
87	E	RxD diagnostic data line	Data link connector
88	E/A	TxD diagnostic data line	Data link connector

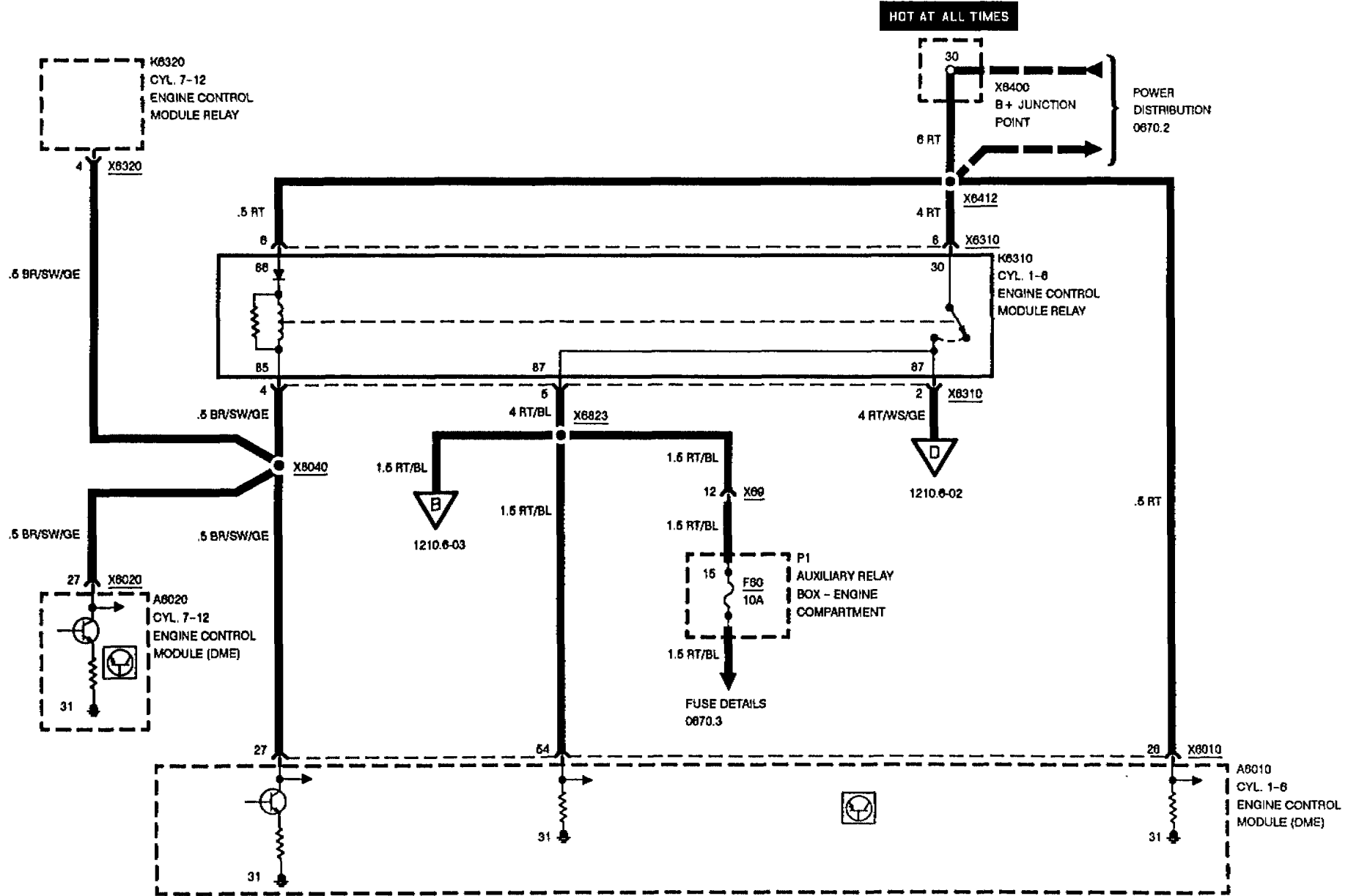
E = Input, A = Output, M = Ground

BMW
8

1210.6



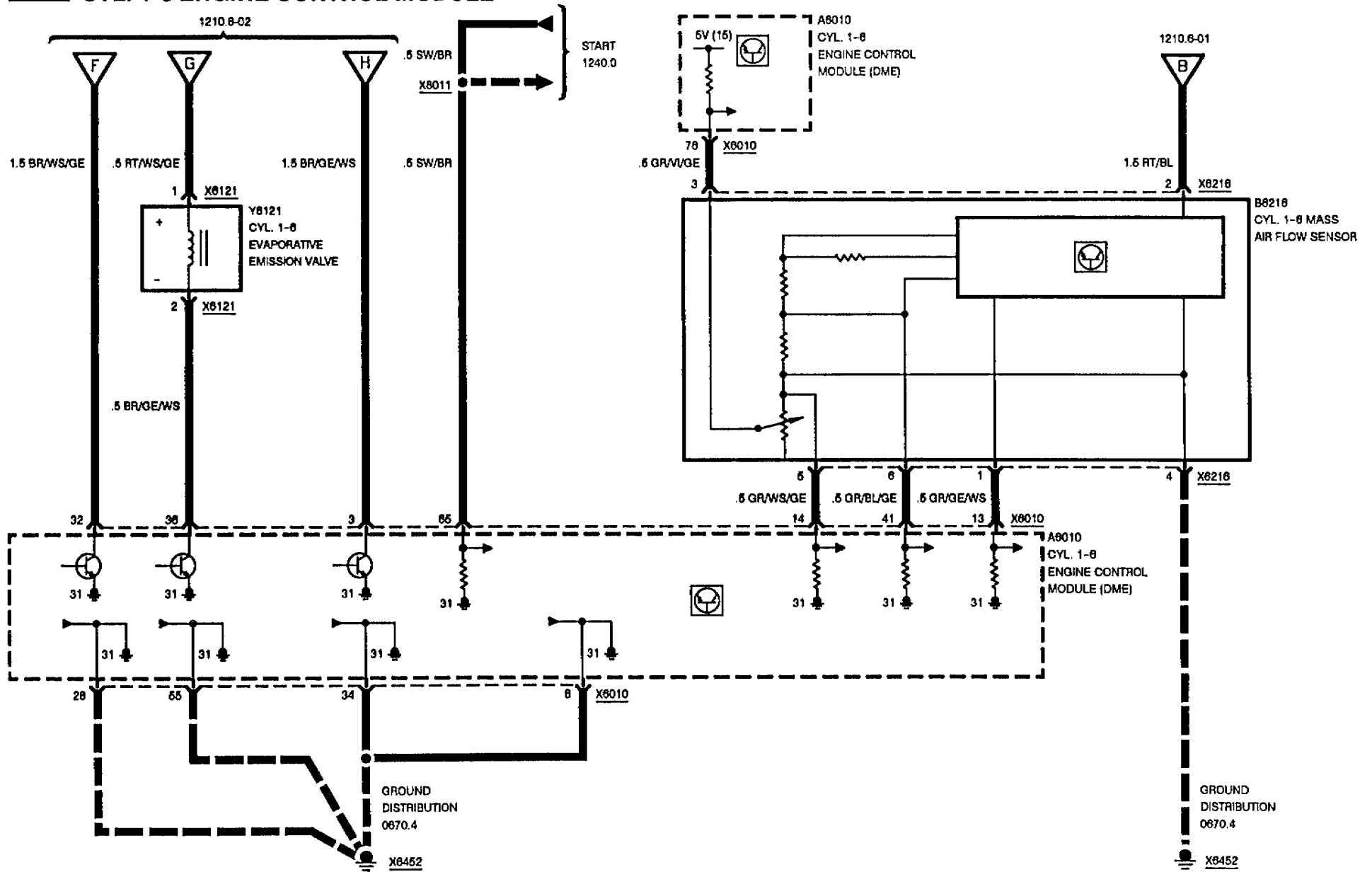
ENGINE CONTROL SYSTEM (DME M1.7, 12-CYLINDER M70) CYL. 1-6 ENGINE CONTROL MODULE





ENGINE CONTROL SYSTEM (DME M1.7, 12-CYLINDER M70)

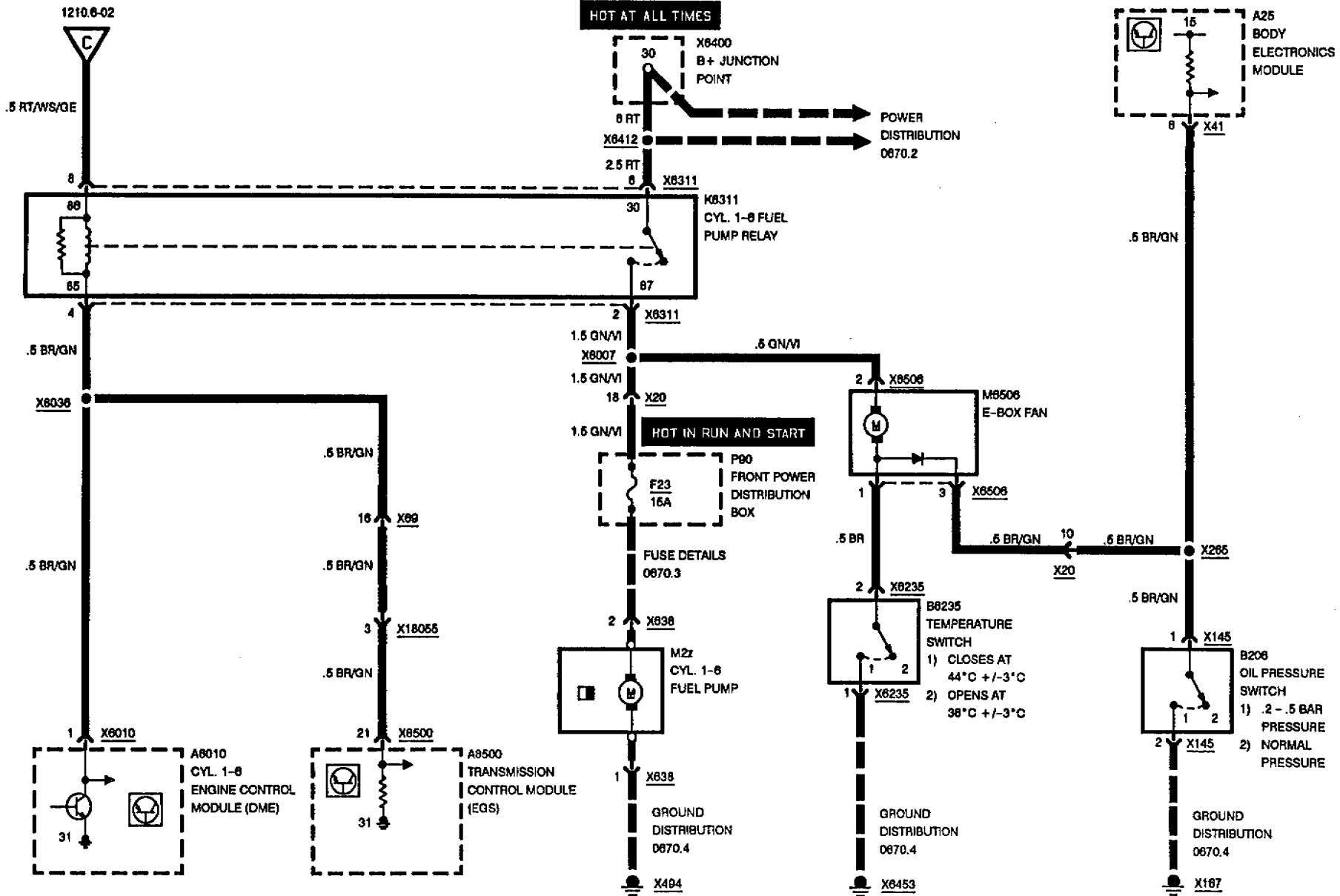
CYL. 1-6 ENGINE CONTROL MODULE





ENGINE CONTROL SYSTEM (DME M1.7, 12-CYLINDER M70)

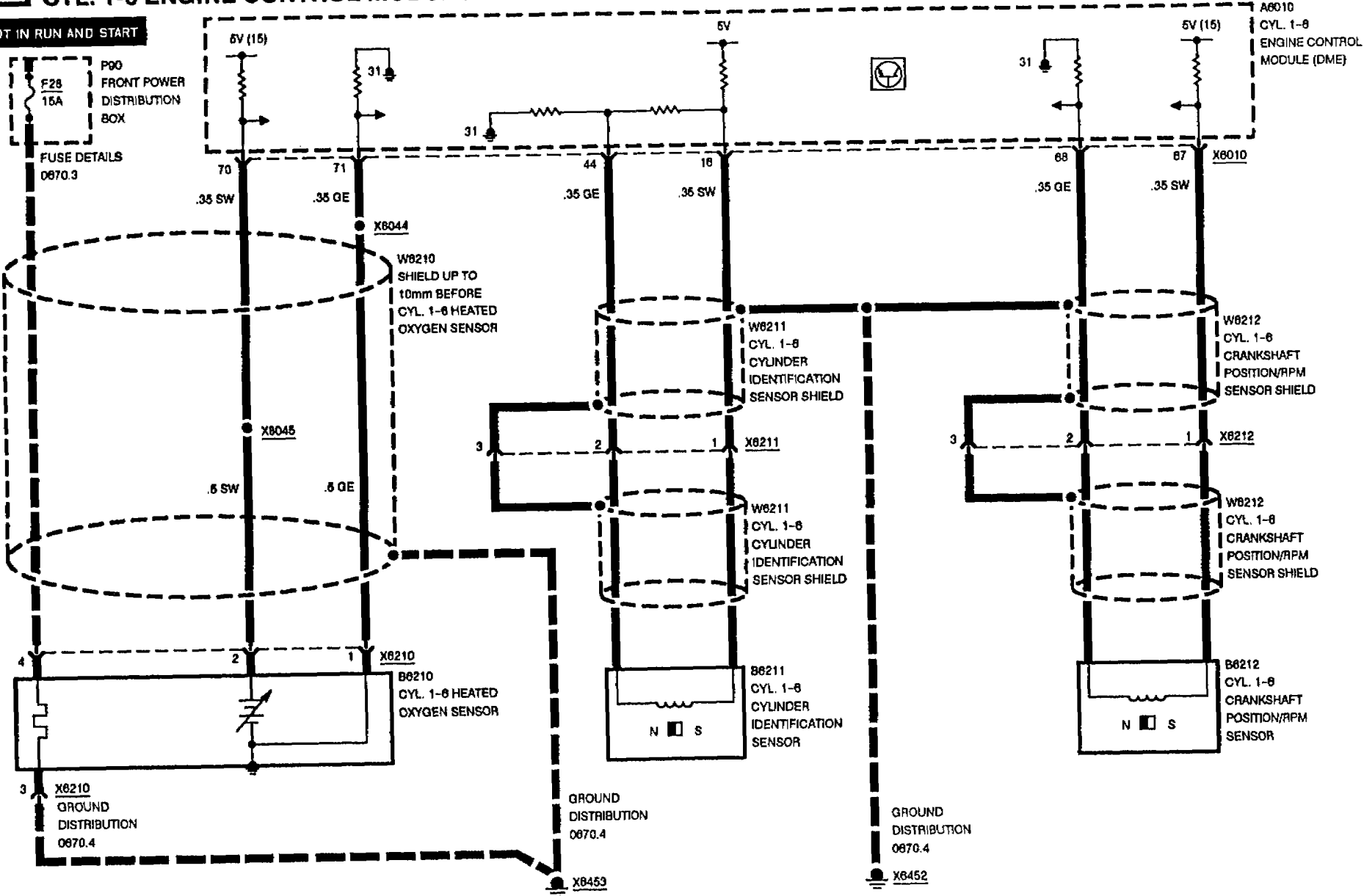
CYL. 1-6 ENGINE CONTROL MODULE



ENGINE CONTROL SYSTEM (DME M1.7, 12-CYLINDER M70)

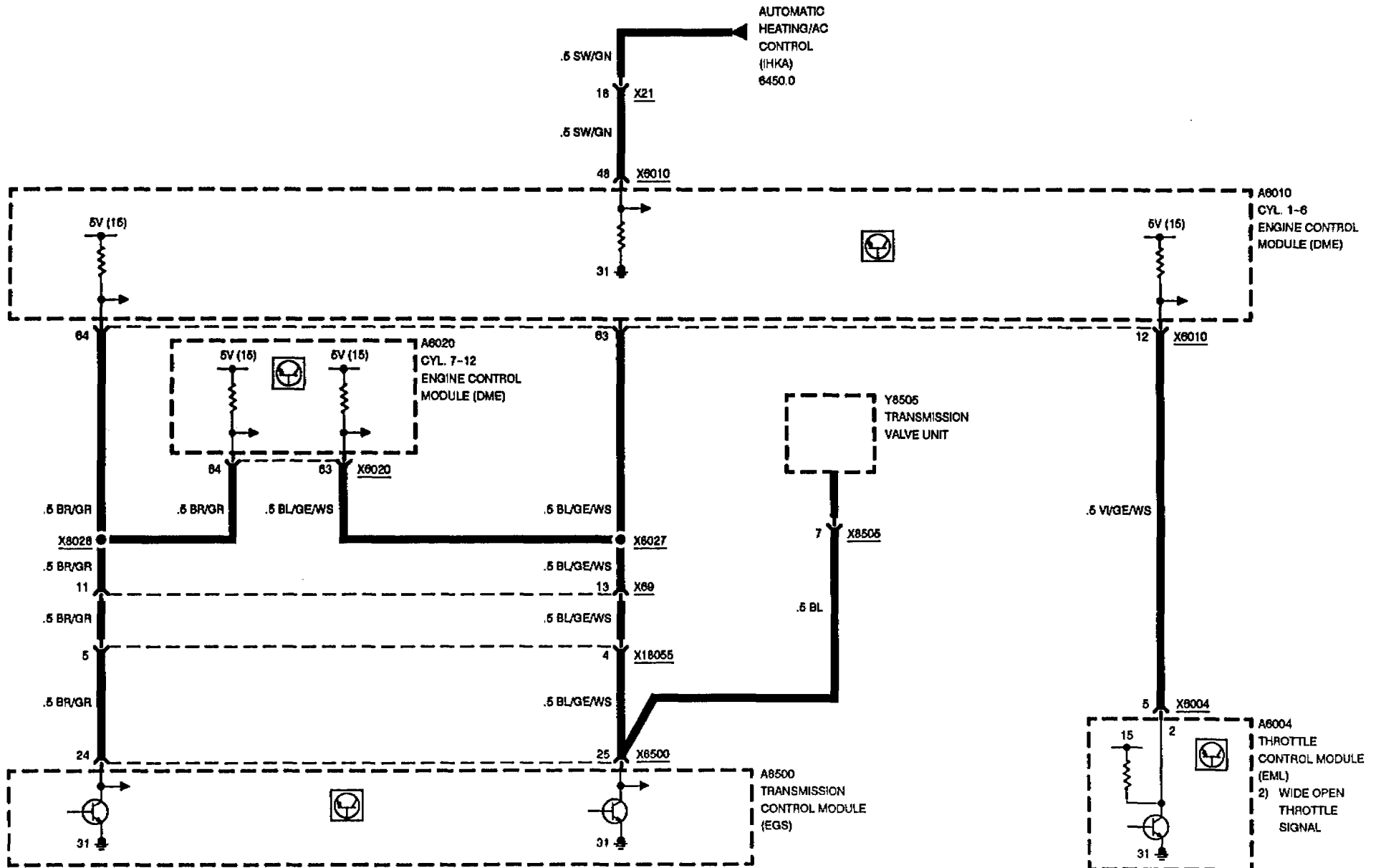
CYL. 1-6 ENGINE CONTROL MODULE

HOT IN RUN AND START





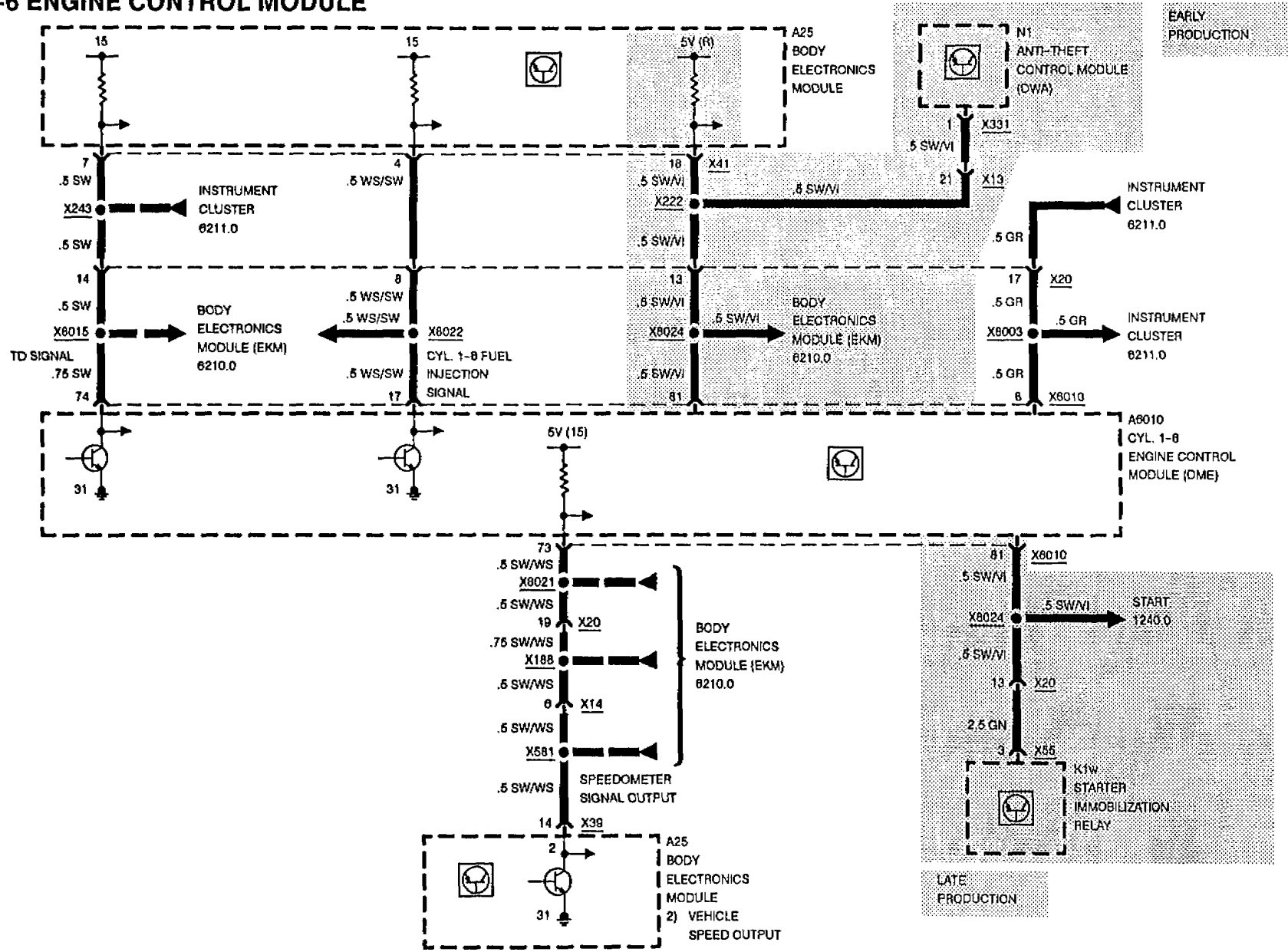
ENGINE CONTROL SYSTEM (DME M1.7, 12-CYLINDER M70) CYL. 1-6 ENGINE CONTROL MODULE





ENGINE CONTROL SYSTEM (DME M1.7, 12-CYLINDER M70)

CYL. 1-6 ENGINE CONTROL MODULE



12/94

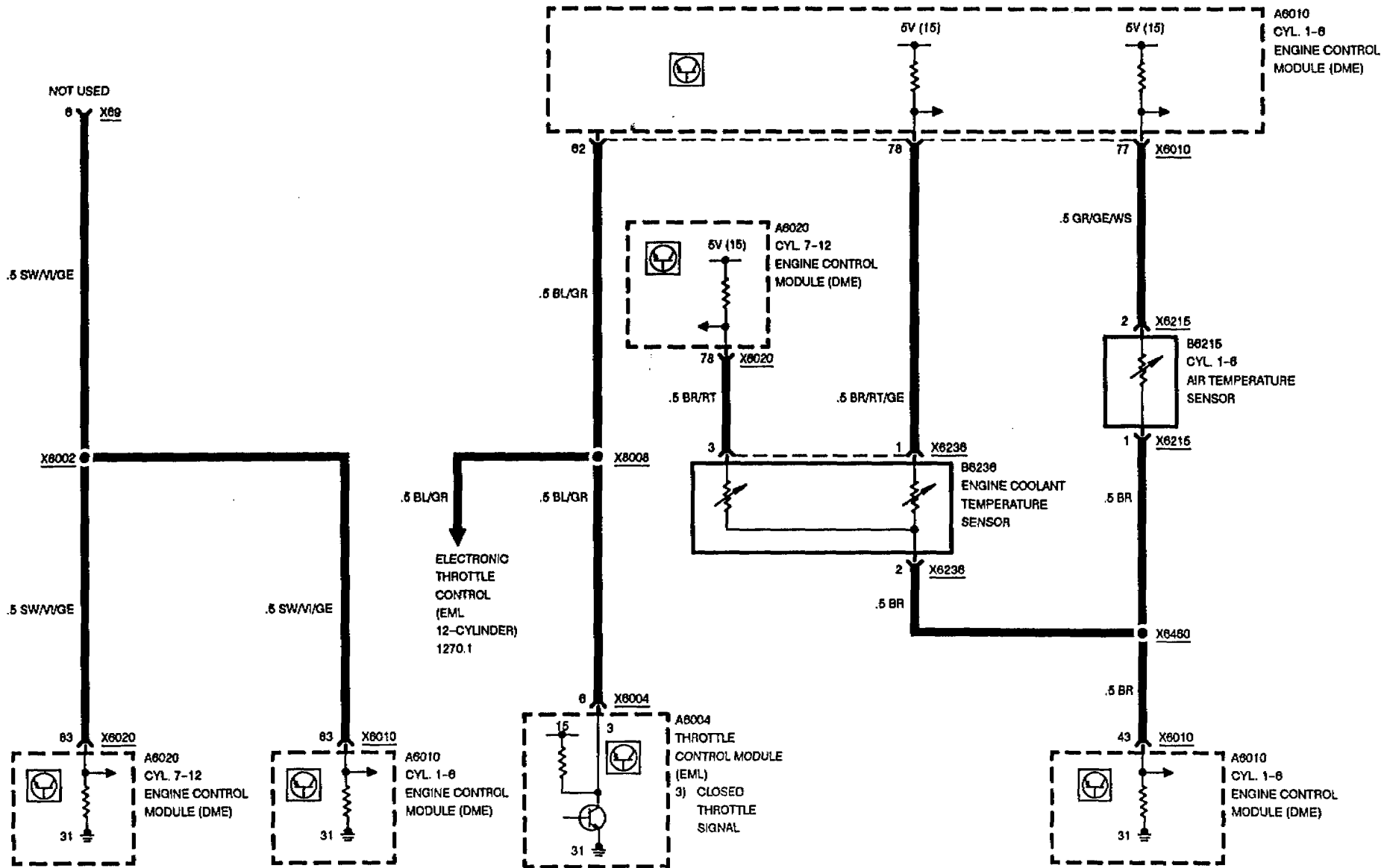
1210.6-07

1994



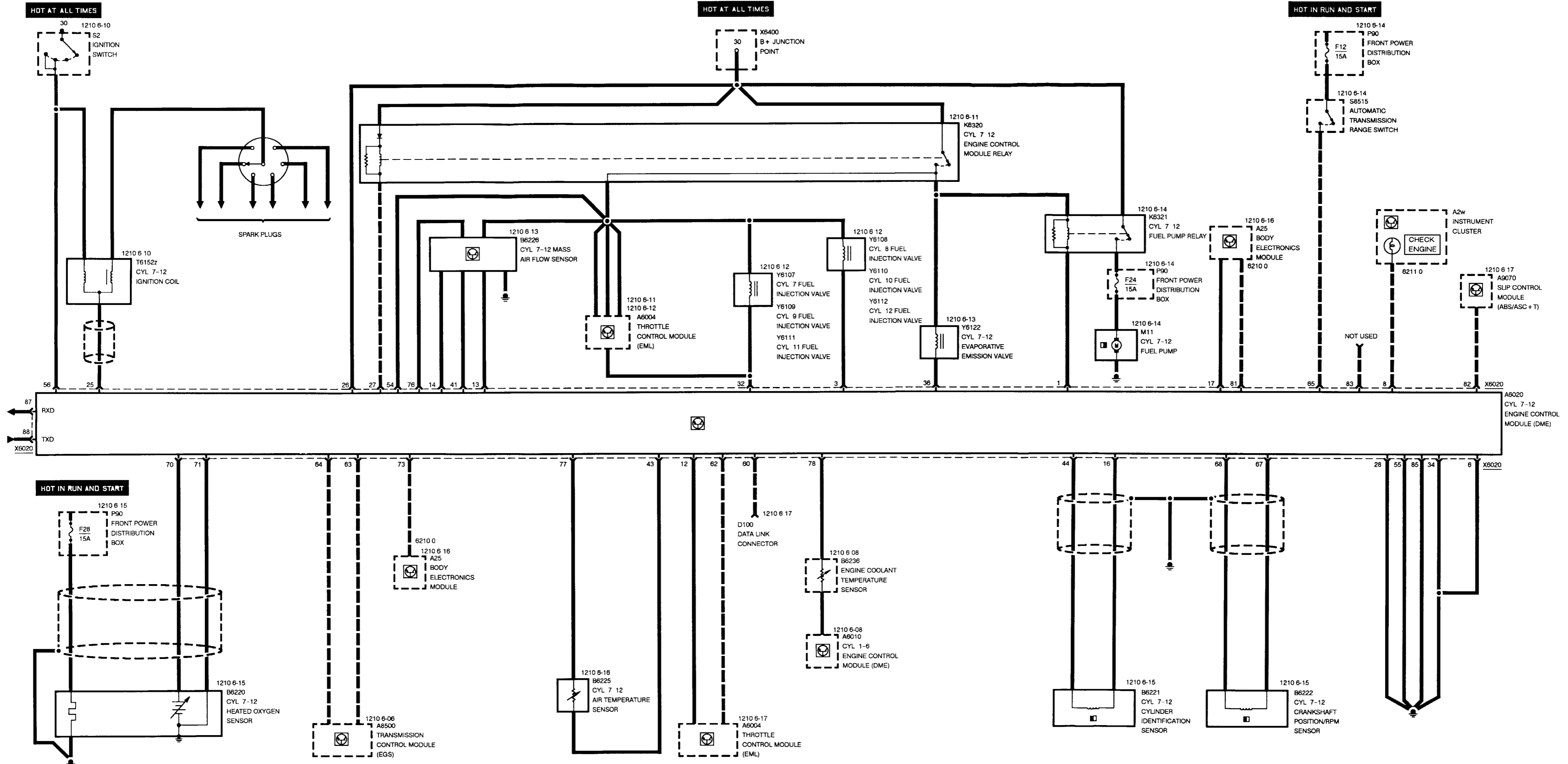
ENGINE CONTROL SYSTEM (DME M1.7, 12-CYLINDER M70)

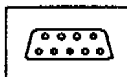
CYL. 1-6 ENGINE CONTROL MODULE



BMW
8

1210.6



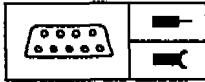


Pin Assignments

X6020

Pin	Type	Description/Function	Connection
1	A	Fuel pump relay and crankshaft reference signal (TR)	Fuel pump relay and transmission control module (EGS) torque converter clutch
2		Not used	
3	A	Fuel injector valves cyl. 8 - 10 - 12	Fuel injector valves
4		Not used	
5		Not used	
6	M	Ground, fuel injector valve output stages	Ground point
7		Not used	
8	A	Service reminder indicator (US only)	Instrument cluster
9		Not used	
10		Not used	
11		Not used	
12	E	Wide open throttle signal (VL)	Electronic throttle control module (EML)
13	A	Free combustion	Mass air flow sensor
14	M	Ground, mass air flow sensor	Mass air flow sensor
15		Not used	
16	E	Cylinder identification sensor (ignition)	Cylinder identification sensor (connection B)
17	A	Injection measuring signal (ti) (KVA signal)	Body electronics module (EKM)
18		Not used	
19		Not used	
20		Not used	
21		Not used	
22		Not used	
23		Not used	
24		Not used	
25	A	Ignition, terminal 1	Cyl. 7 - 12 ignition coil
26	E	Battery voltage	B+ junction point
27	A	Engine control module relay	Engine control module relay terminal 85 (additionally, jumper to second engine control module relay)

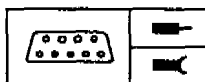
E = Input, A = Output, M = Ground



Pin Assignments

Pin	Type	Description/Function	Connection
28	M	Ground for electronics and shielding the sensors	Ground point
29		Not used	
30		Not used	
31		Not used	
32	A	Fuel injector valves cyl. 7 - 9 - 11	Fuel injector valves and electronic throttle control module (EML)
33		Not used	
34	M	Ground, remaining output stages (except for ignition and fuel injector valves)	Ground point
35		Not used	
36	A	Fuel evaporation purge valve	Fuel evaporation purge valve
37		Not used	
38		Not used	
39		Not used	
40		Not used	
41	E	Mass air flow sensor signal	Mass air flow sensor
42		Not used	
43	M	Ground for sensors	Temperature sensors
44	E	Cylinder identification sensor (ignition)	Cylinder identification sensor (connection A)
45		Not used	
46		Not used	
47		Not used	
48		Not used	
49		Not used	
50		Not used	
51		Not used	
52		Not used	
53		Not used	
54	E	Battery voltage from engine control module relay	Engine control module relay, terminal 87
55	M	Ground, ignition	Ground point
56	E	Ignition, terminal 15	Ignition switch

E = Input, A = Output, M = Ground



Pin Assignments

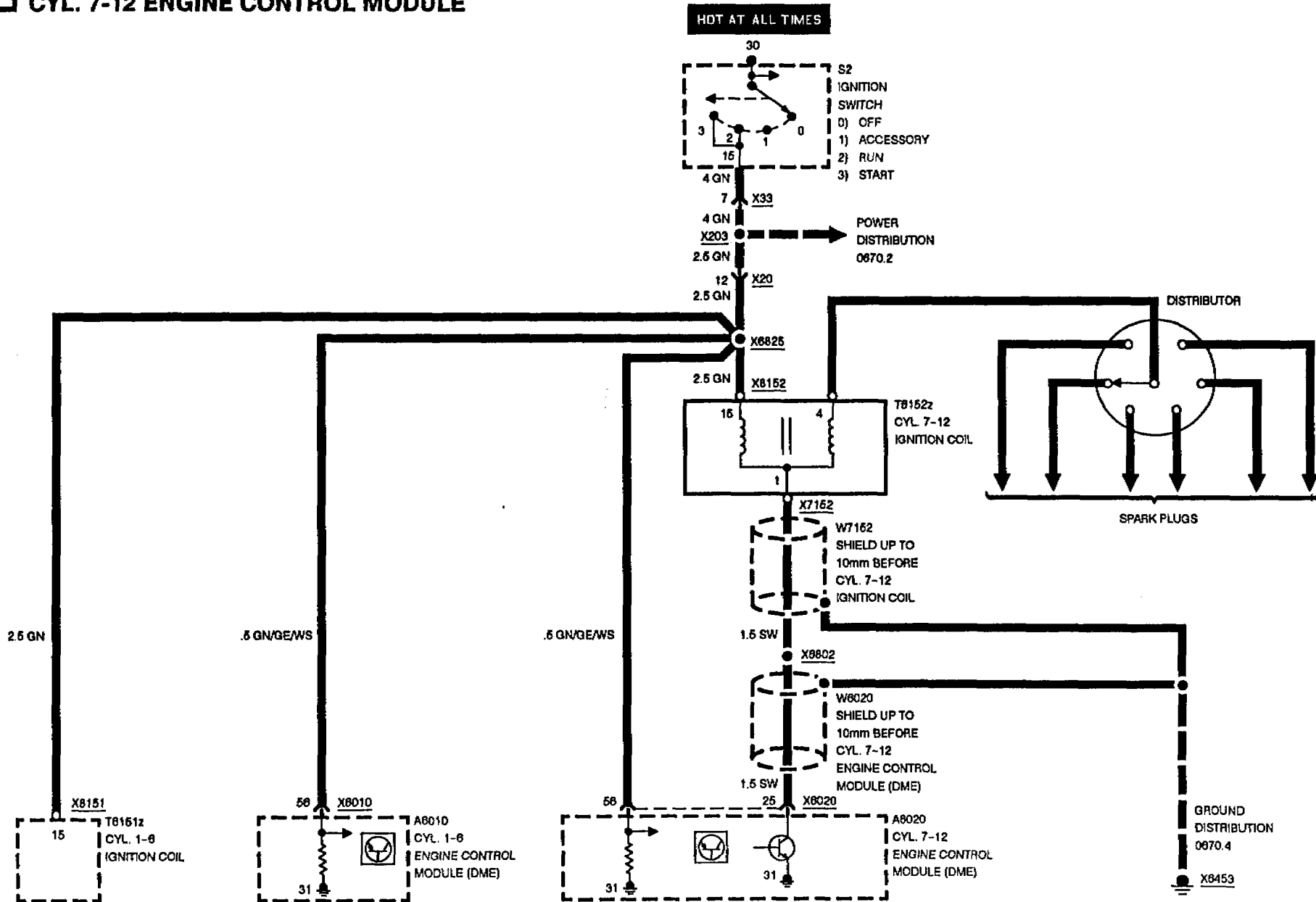
Pin	Type	Description/Function	Connection
57		Not used	
58		Not used	
59		Not used	
60	E	Programming voltage	Data link connector
61		Not used	
62	E	Idle signal (LL)	Electronic throttle control module (EML)
63	E	Torque converter clutch (WK)	Transmission control module (EGS)
64	E	Ignition timing intervention	Transmission control module (EGS)
65	E	Park/Neutral sensing	Automatic transmission range switch
66		Not used	
67	E	Inductive pulse generator (connection B)	Pulse generator, crankshaft rpm sensor
68	E	Inductive pulse generator (connection A)	Pulse generator, crankshaft rpm sensor
69		Not used	
70	E	Oxygen sensor signal	Heated oxygen sensor
71	M	Ground, oxygen sensor	Heated oxygen sensor
72		Not used	
73	E	Speedometer signal	Body electronics module (EKM)
74		Not used	
75		Not used	
76	E	Idle CO-potentiometer	Mass air flow sensor
77	E	Intake air temperature	Engine intake air temperature sensor
78	E	Engine coolant temperature	Engine coolant temperature sensor
79		Not used	
80		Not used	
81	E	Antitheft signal	Body electronics module (EKM)
82	E	ASC ignition angle control	ASC + T control unit
83		Not used	
84		Not used	
85	E	Identifier, Cyl. 7 - 12 engine control module	Ground point
86		Not used	
87	E	RxD diagnostic data line	Data link connector
88	E/A	TxD diagnostic data line	Data link connector

E = Input, A = Output, M = Ground



ENGINE CONTROL SYSTEM (DME M1.7, 12-CYLINDER M70)

CYL. 7-12 ENGINE CONTROL MODULE



09/93

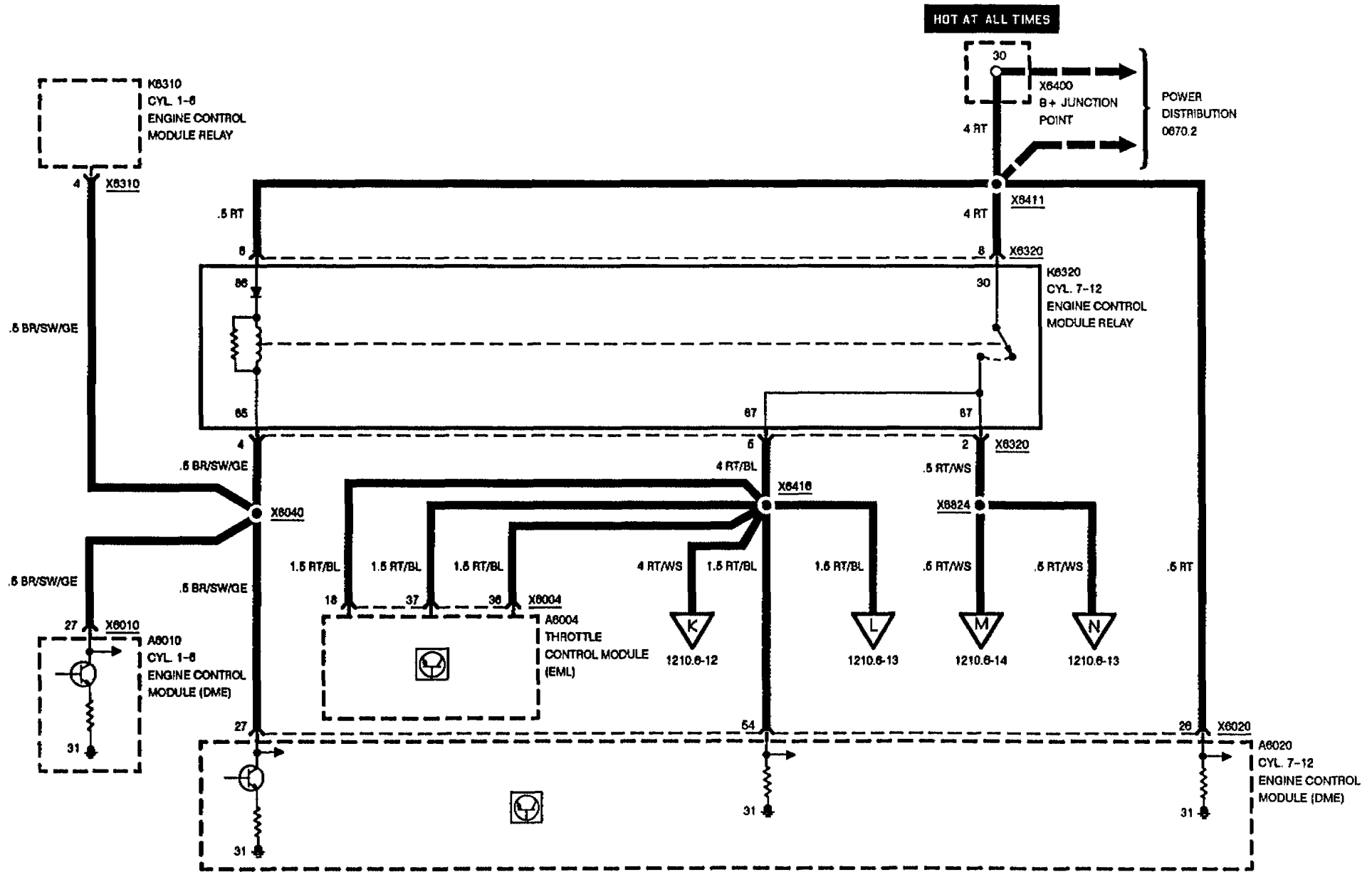
1210.6-10

1994



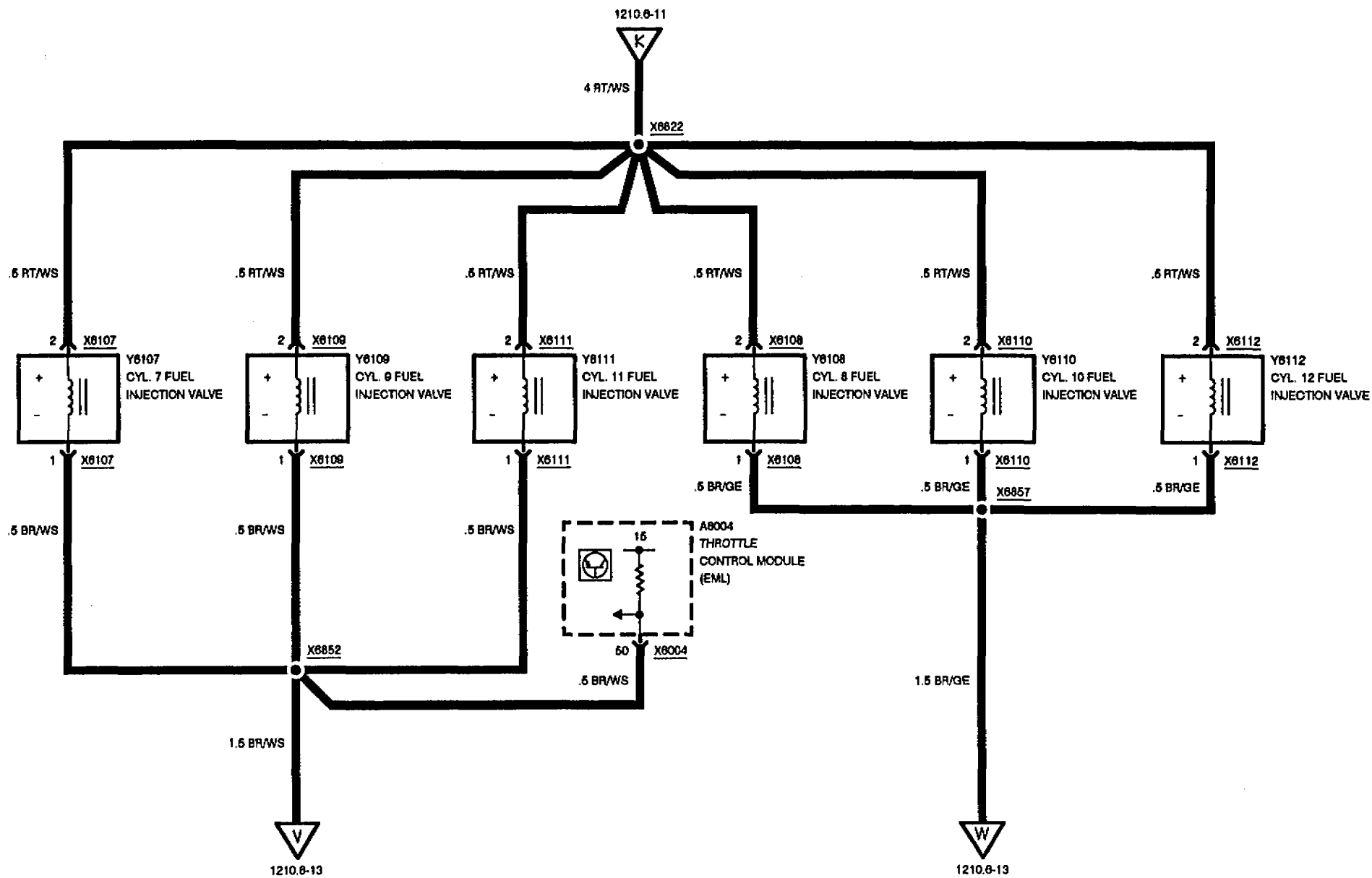
ENGINE CONTROL SYSTEM (DME M1.7, 12-CYLINDER M70)

CYL. 7-12 ENGINE CONTROL MODULE





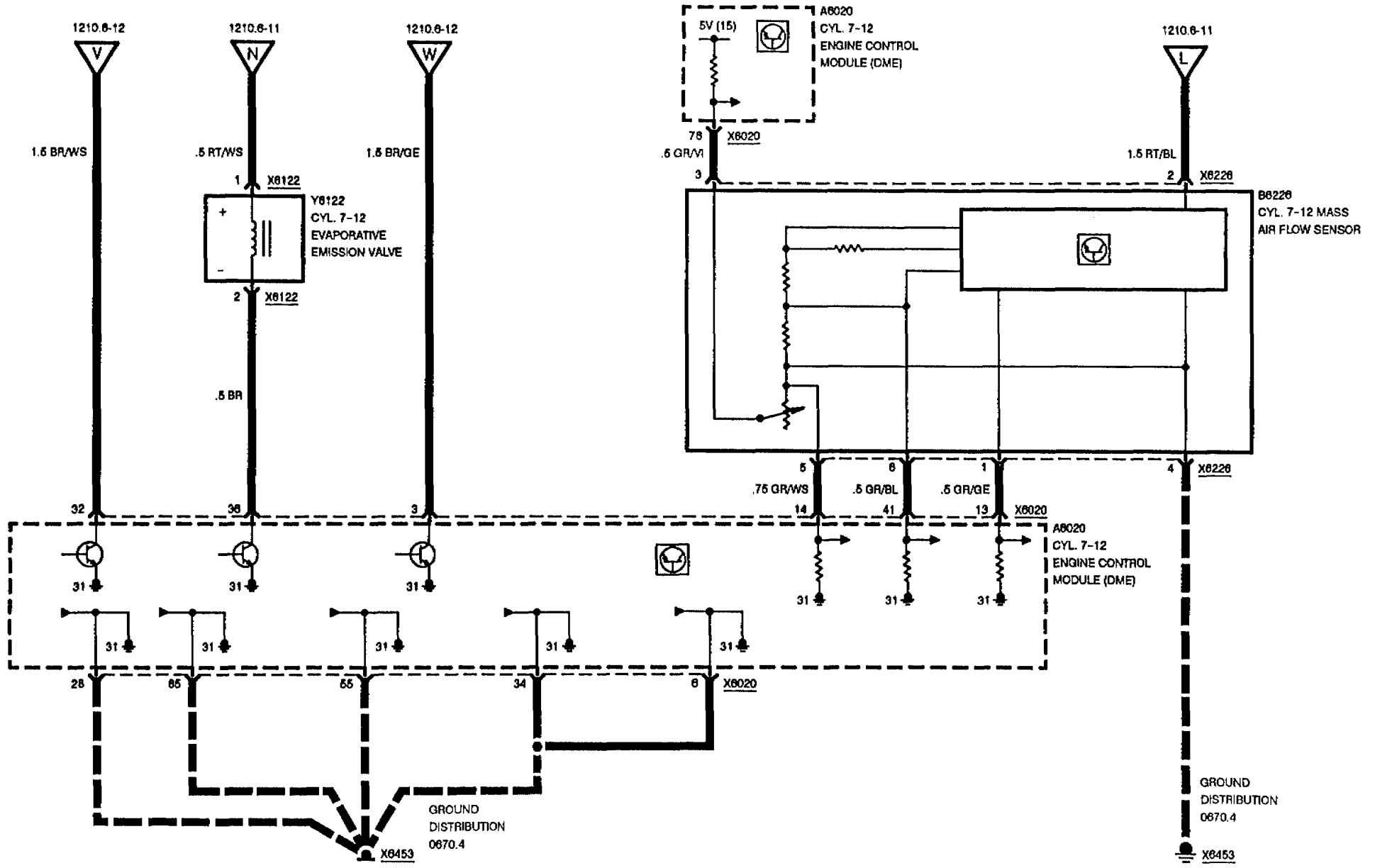
ENGINE CONTROL SYSTEM (DME M1.7, 12-CYLINDER M70) FUEL INJECTION VALVES





ENGINE CONTROL SYSTEM (DME M1.7, 12-CYLINDER M70)

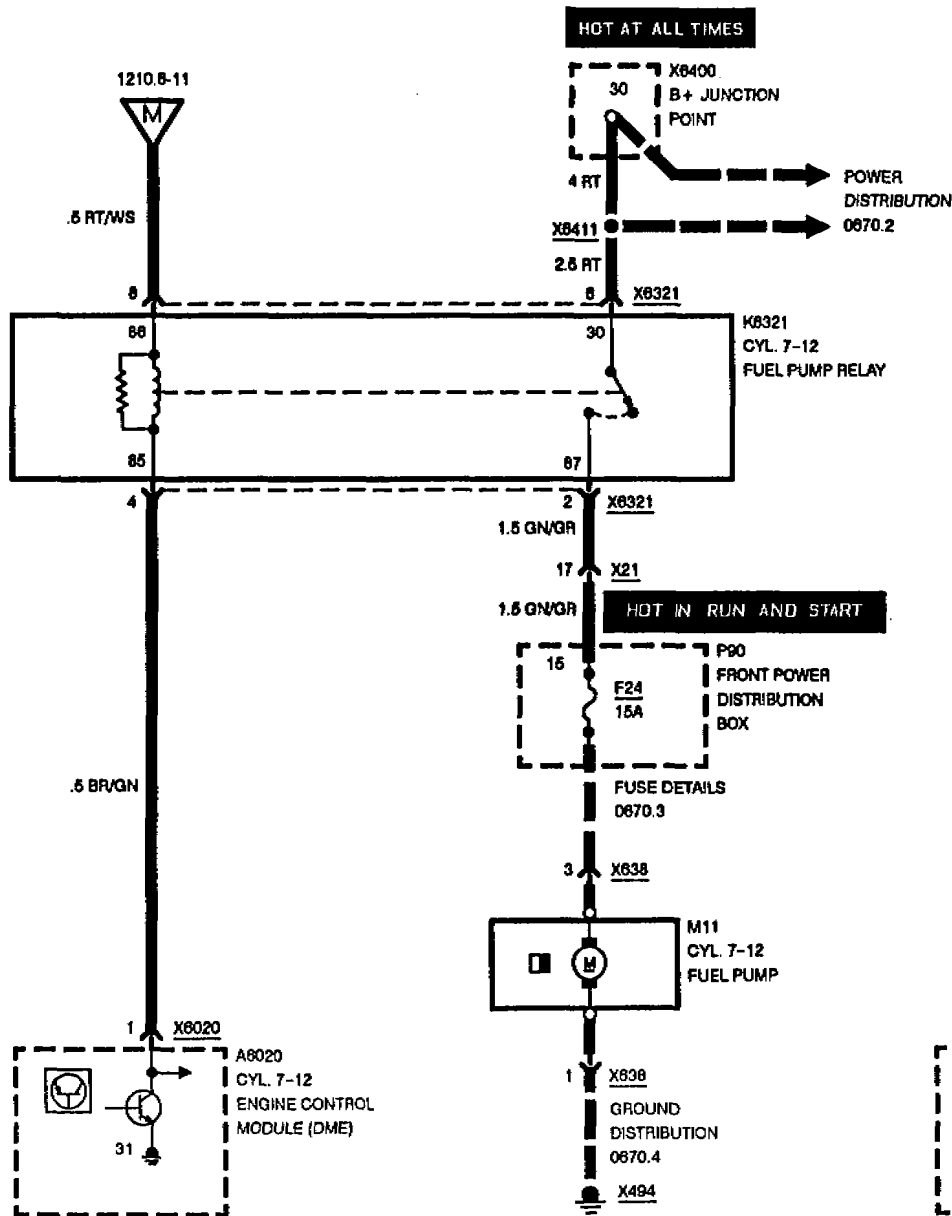
CYL. 7-12 ENGINE CONTROL MODULE



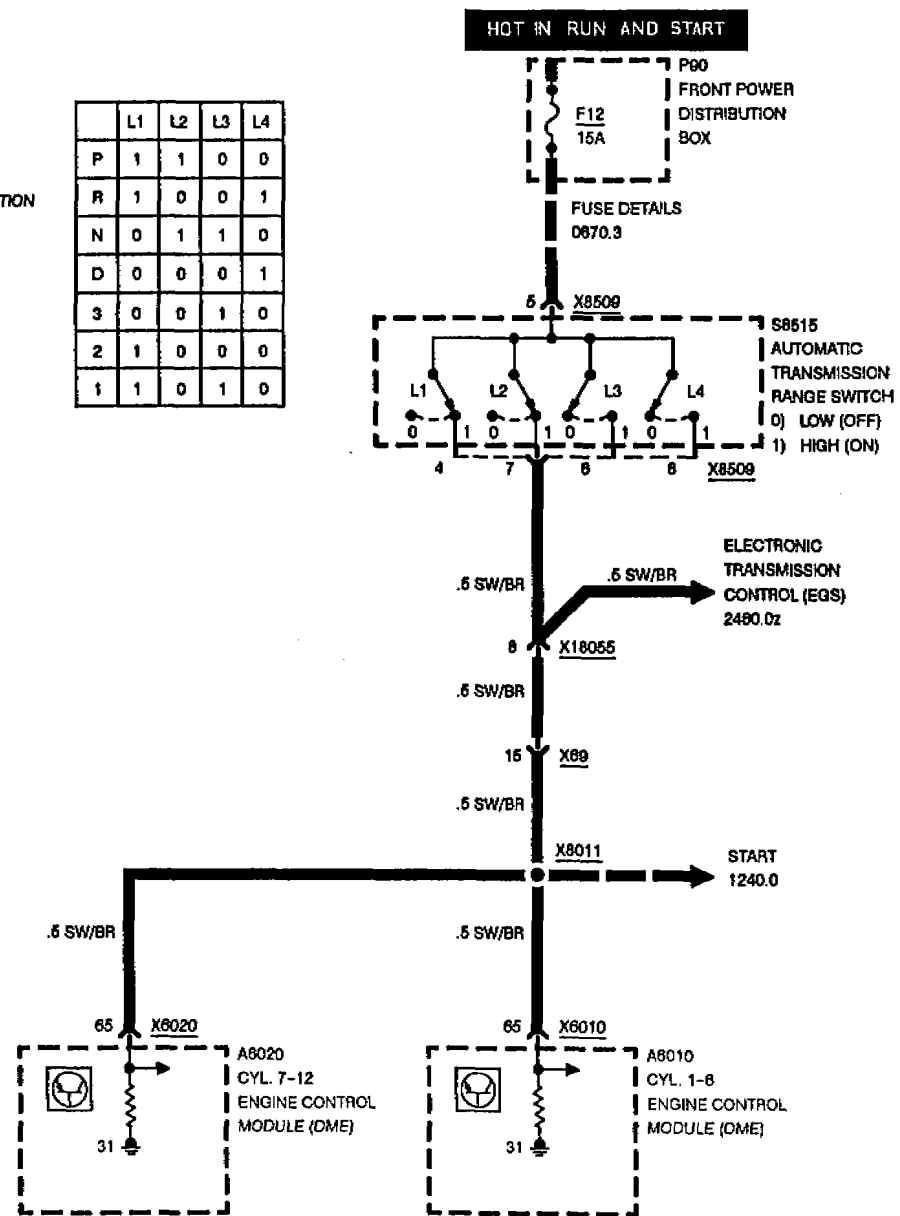


ENGINE CONTROL SYSTEM (DME M1.7, 12-CYLINDER M70)

CYL. 7-12 ENGINE CONTROL MODULE



	L1	L2	L3	L4
P	1	1	0	0
R	1	0	0	1
N	0	1	1	0
D	0	0	0	1
3	0	0	1	0
2	1	0	0	0
1	1	0	1	0

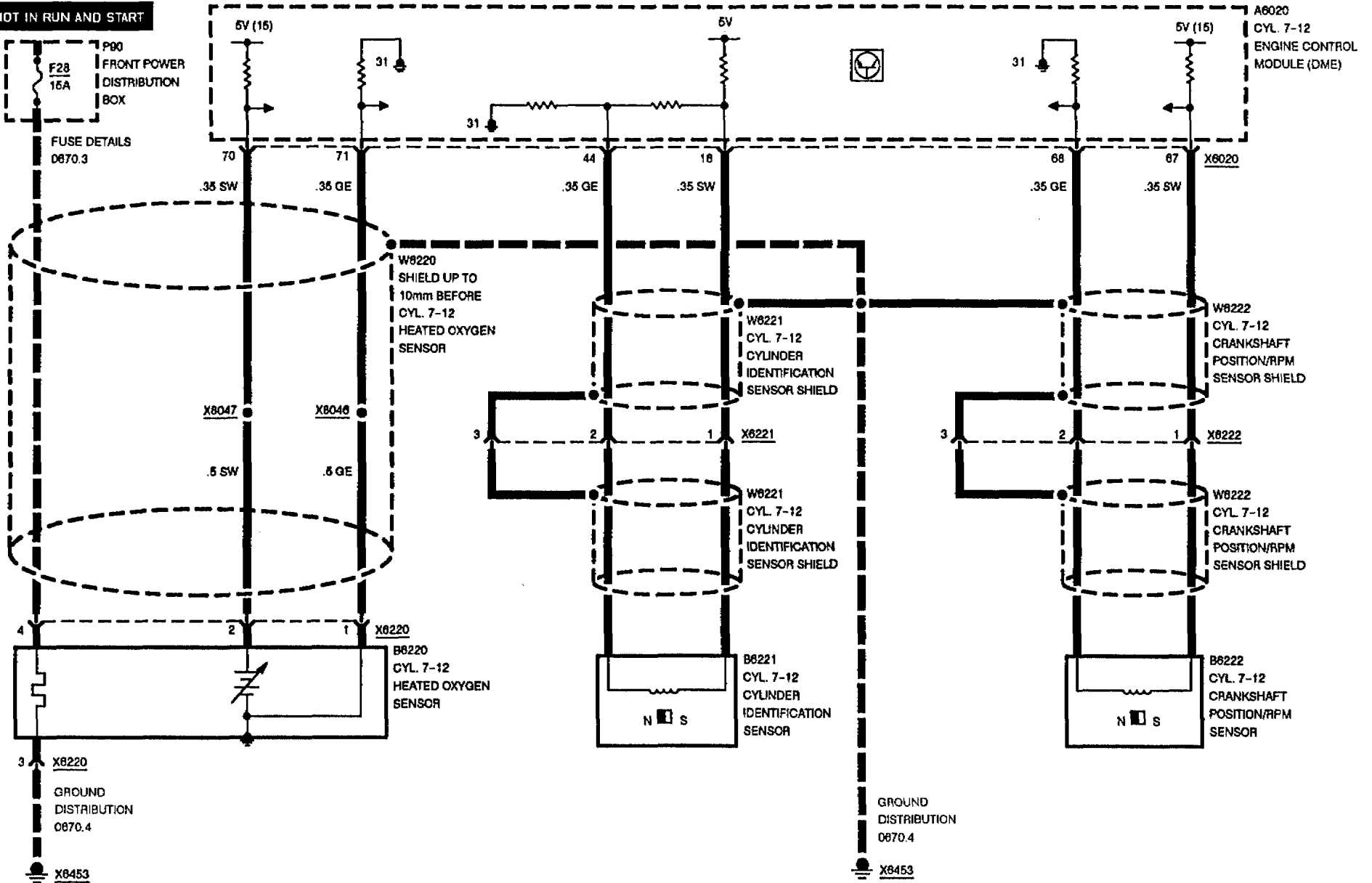




ENGINE CONTROL SYSTEM (DME M1.7, 12-CYLINDER M70)

CYL. 7-12 ENGINE CONTROL MODULE

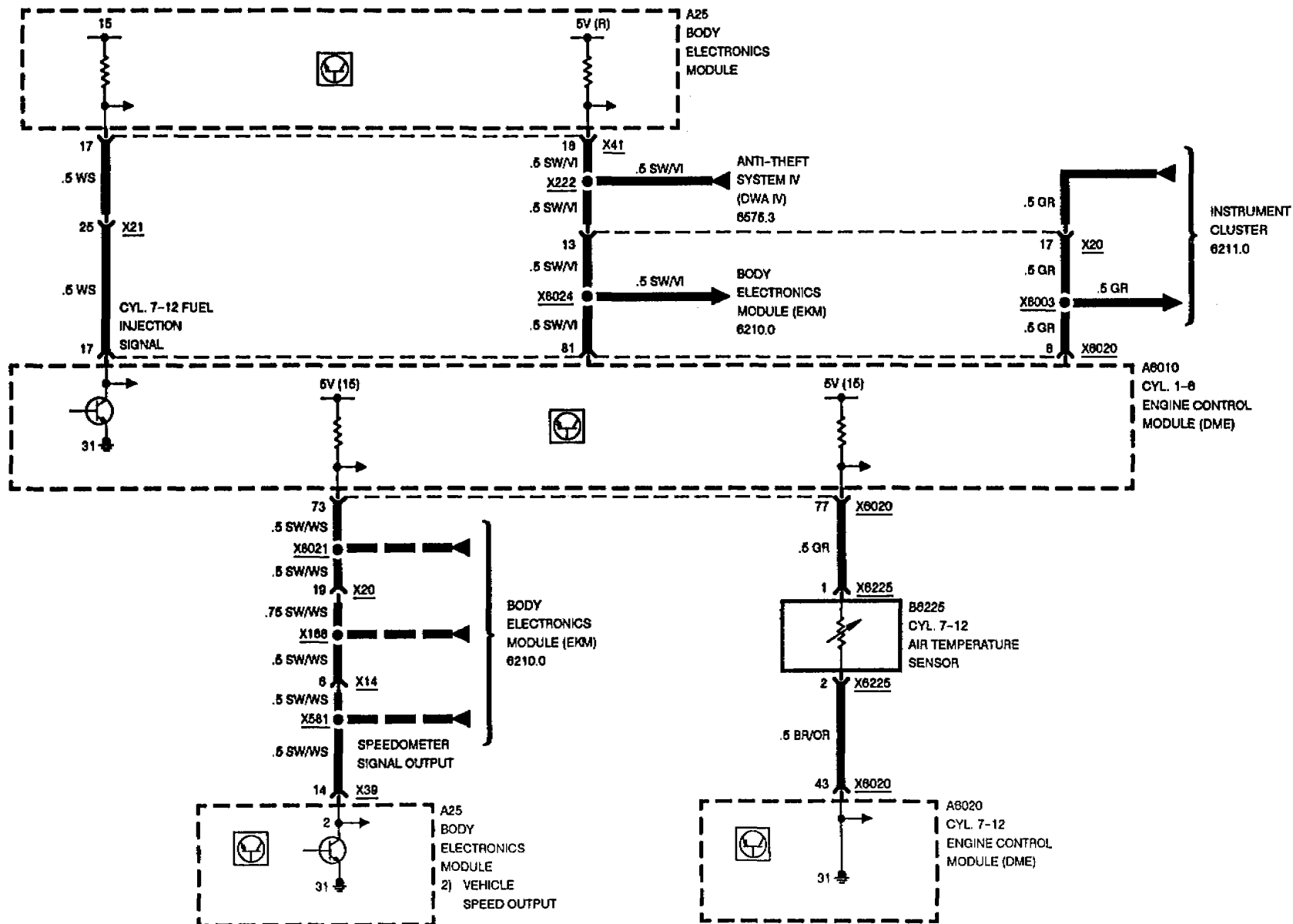
HOT IN RUN AND START





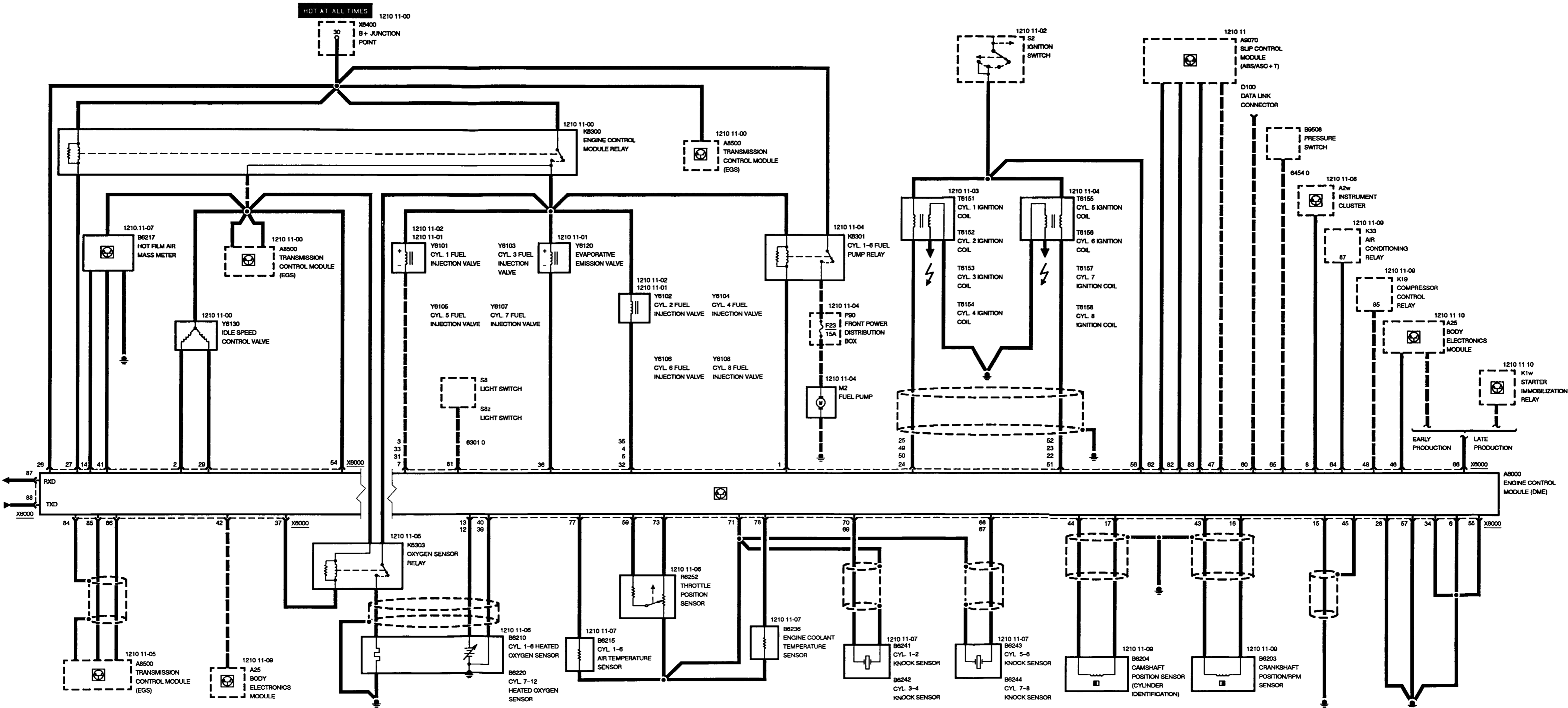
ENGINE CONTROL SYSTEM (DME M1.7, 12-CYLINDER M70)

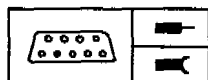
CYL. 7-12 ENGINE CONTROL MODULE



BMW
8

1210.6-18



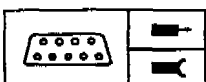


Pin Assignments

X6000

Pin	Type	Description/Function	Connection
1	A	Fuel pump relay	Cyl. 1 - 8 fuel pump relay, K6301
2	A	Air control valve closed	Idle speed control valve, Y6130
3	A	Cyl. 1 fuel injection valve	Cyl. 1 fuel injection valve, Y6101
4	A	Cyl. 4 fuel injection valve	Cyl. 4 fuel injection valve, Y6104
5	A	Cyl. 6 fuel injection valve	Cyl. 6 fuel injection valve, Y6106
6	M	Ground	Ground point, X6452
7	A	Cyl. 7 fuel injection valve	Cyl. 7 fuel injection valve, Y6107
8	A	"CHECK ENGINE"-lamp	Instrument cluster, A2
9		Not used	
10		Not used	
11		Not used	
12	E	Signal Cyl. 5 - 8 heated oxygen sensor	Cyl. 5 - 8 heated oxygen sensor, B6220
13	E	Signal Cyl. 1 - 4 heated oxygen sensor	Cyl. 1 - 4 heated oxygen sensor, B6210
14	M	Ground from mass air flow sensor	Mass air flow sensor, B6206
15	M	Injection signal	Resistor, R6240
16	E	Signal crankshaft/RPM	Crankshaft position/RPM sensor, B6203
17	E	Signal camshaft position	Camshaft position sensor, B6201
18		Not used	
19		Not used	
20		Not used	
21		Not used	
22	A	Cyl. 7 ignition signal	Cyl. 7 ignition coil, T6157
23	A	Cyl. 6 ignition signal	Cyl. 6 ignition coil, T6156
24	A	Cyl. 4 ignition signal	Cyl. 4 ignition coil, T6154
25	A	Cyl. 1 ignition signal	Cyl. 1 ignition coil, T6151
26	E	Continuous plus supply terminal 30	Front power distribution box
27	A	Signal to engine control module relay	Engine control module relay, K6300
28	M	Ground	Ground point, X6452
29	A	Air control valve open	Idle speed control valve, Y6130
30		Not used	

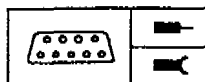
E = Input, A = Output, M = Ground



Pin Assignments

Pin	Type	Description/Function	Connection
31	A	Cyl. 5 fuel injection valve	Cyl. 5 fuel injection valve, Y6105
32	A	Cyl. 8 fuel injection valve	Cyl. 8 fuel injection valve, Y6108
33	A	Cyl. 3 fuel injection valve	Cyl. 3 fuel injection valve, Y6103
34	M	Ground	Ground point, X6452
35	A	Cyl. 2 fuel injection valve	Cyl. 2 fuel injection valve, Y6102
36	A	Signal evaporative emission	Evaporative emission valve, Y6120
37	A	Signal oxygen sensor heating	Oxygen sensor relay, K6303
38		Not used	
39	M	Ground Cyl. 5 - 8 oxygen sensor	Cyl. 5 - 8 heated oxygen sensor, B6220
40	M	Ground Cyl. 1 - 4 oxygen sensor	Cyl. 1 - 4 heated oxygen sensor, B6210
41	E	Signal air flow	Mass air flow sensor, B6206
42	E	Speed A-Signal	Instrument cluster, A2
43	M	Ground, camshaft RPM sensor	Crankshaft position/RPM sensor, B6203
44	M	Ground, crankshaft position sensor	Camshaft position sensor, B6201
45	M	Ground, ignition signal shield	Shield, ignition signal, R6240
46	A	Signal fuel consumption	Instrument cluster, A2
47	A	Signal engine speed (RPM)	Instrument cluster, A2
48	A	Signal climate compressor	Compressor control relay, K19
49	A	Cyl. 2 ignition signal	Cyl. 2 ignition coil, T6152
50	A	Cyl. 3 ignition signal	Cyl. 3 ignition coil, T6153
51	A	Cyl. 8 ignition signal	Cyl. 8 ignition coil, T6158
52	A	Cyl. 5 ignition signal	Cyl. 5 ignition coil, T6155
53		Not used	
54	E	Signal engine control module relay	Engine control module relay, K6300
55	M	Ground	Ground point, X6452
56	E	Plus supply terminal 15	Ignition switch, S2
57	M	Ground for sensors and shields	Ground point
58		Not used	
59	A	Plus supply (+5V)	Throttle position sensor, R6252
60	E	Programming voltage	Data link connector, D100
61		Not used	
62	E	Signal electronic throttle control	Slip control module (ABS/ASC + T), A9070

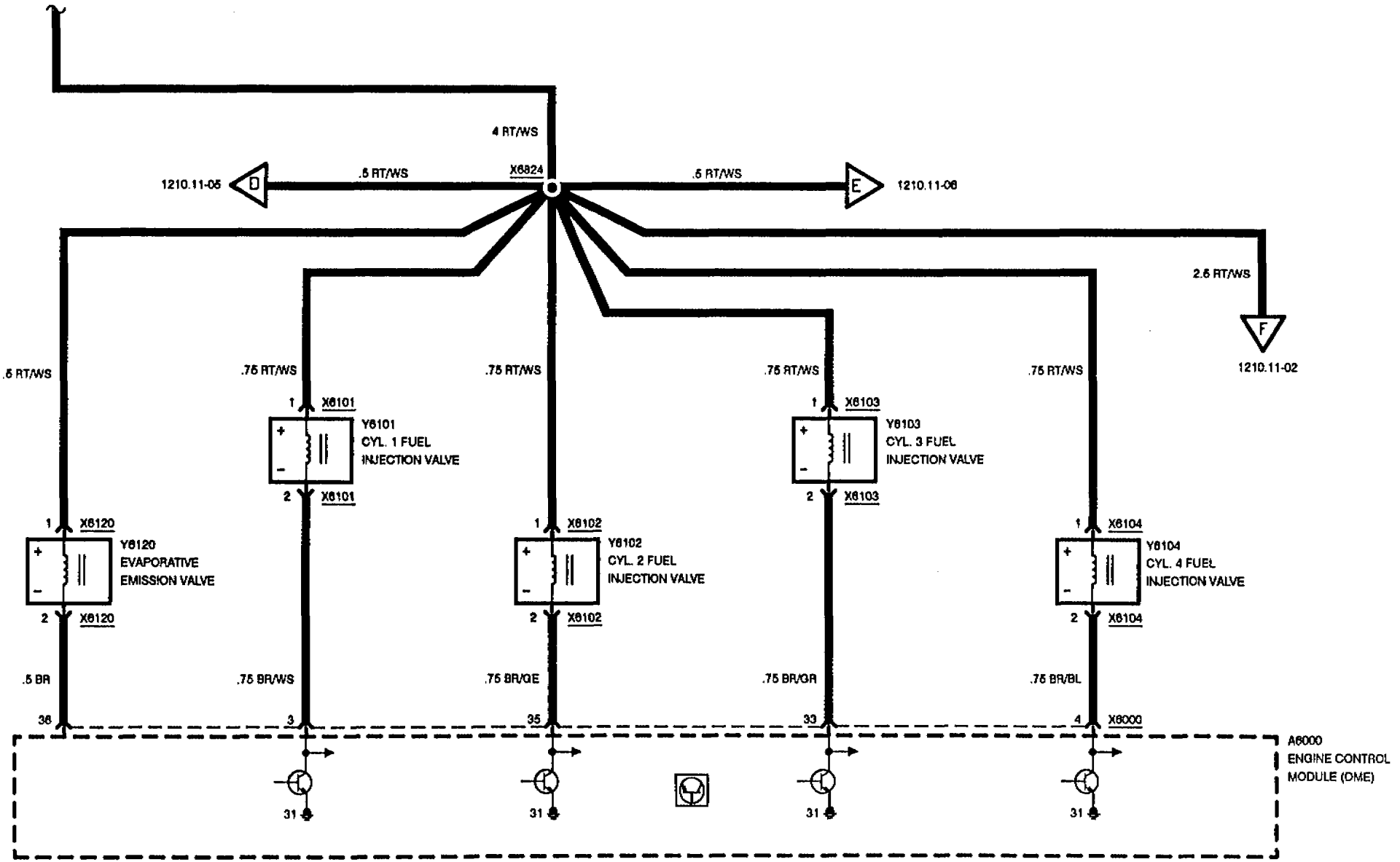
E = Input, A = Output, M = Ground



Pin Assignments

Pin	Type	Description/Function	Connection
63		Not used	
64	E	Signal AC ready	Air conditioning relay for engine control module, K33
65	E	Signal AC-compressor	Pressure switch, B8y
66	E	Antiheft signal (Early Production)	Body electronics module (EKM)
66	E	Antiheft signal (Late Production)	Starter Immobilization relay
67	E	Signal, Cyl. 7 - 8 knock sensor	Cyl. 7 - 8 knock sensor, B6244
68	E	Signal, Cyl. 5 - 6 knock sensor	Cyl. 5 - 6 knock sensor, B6243
69	E	Signal, Cyl. 3 - 4 knock sensor	Cyl. 3 - 4 knock sensor, B6242
70	E	Signal, Cyl. 1 - 2 knock sensor	Cyl. 1 - 2 knock sensor, B6241
71	M	Ground, knock sensors	Knock sensors
72		Not used	
73	E	Signal throttle position sensor	Throttle position sensor, R6252
74		Not used	
75		Not used	
76		Not used	
77	E	Signal intake air temperature	Engine intake air temperature sensor, B6215
78	E	Signal engine coolant temperature	Engine coolant temperature sensor, B6238
79		Not used	
80		Not used	
81	E	Signal headlights on	Light switch, S8
82	E	Engine coasting signal	Slip control module (ABS/ASC + T), A9070
83	E	Traction control regulation signal	Slip control module (ABS/ASC + T), A9070
84	A	CAN - Shield	Transmission control module A8500
85	E/A	CAN - L	Transmission control module, A8500
86	E/A	CAN - H	Transmission control module, A8500
87	A	Diagnosis	Data link connector, RxD
88	E/A	Diagnosis	Data link connector, TxD

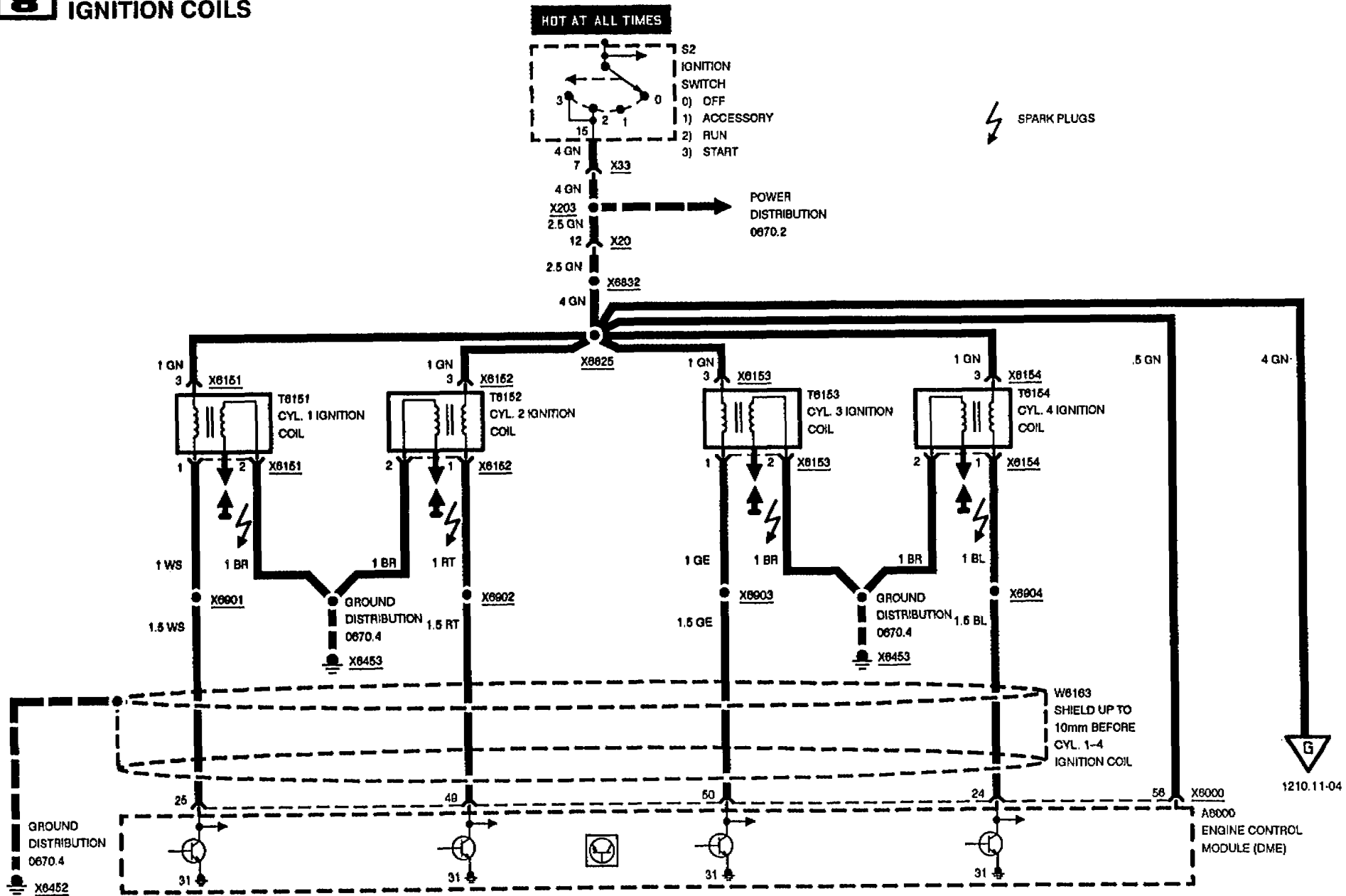
E = Input, A = Output, M = Ground





ENGINE CONTROL SYSTEM (DME M3.3, 8-CYLINDER M60)

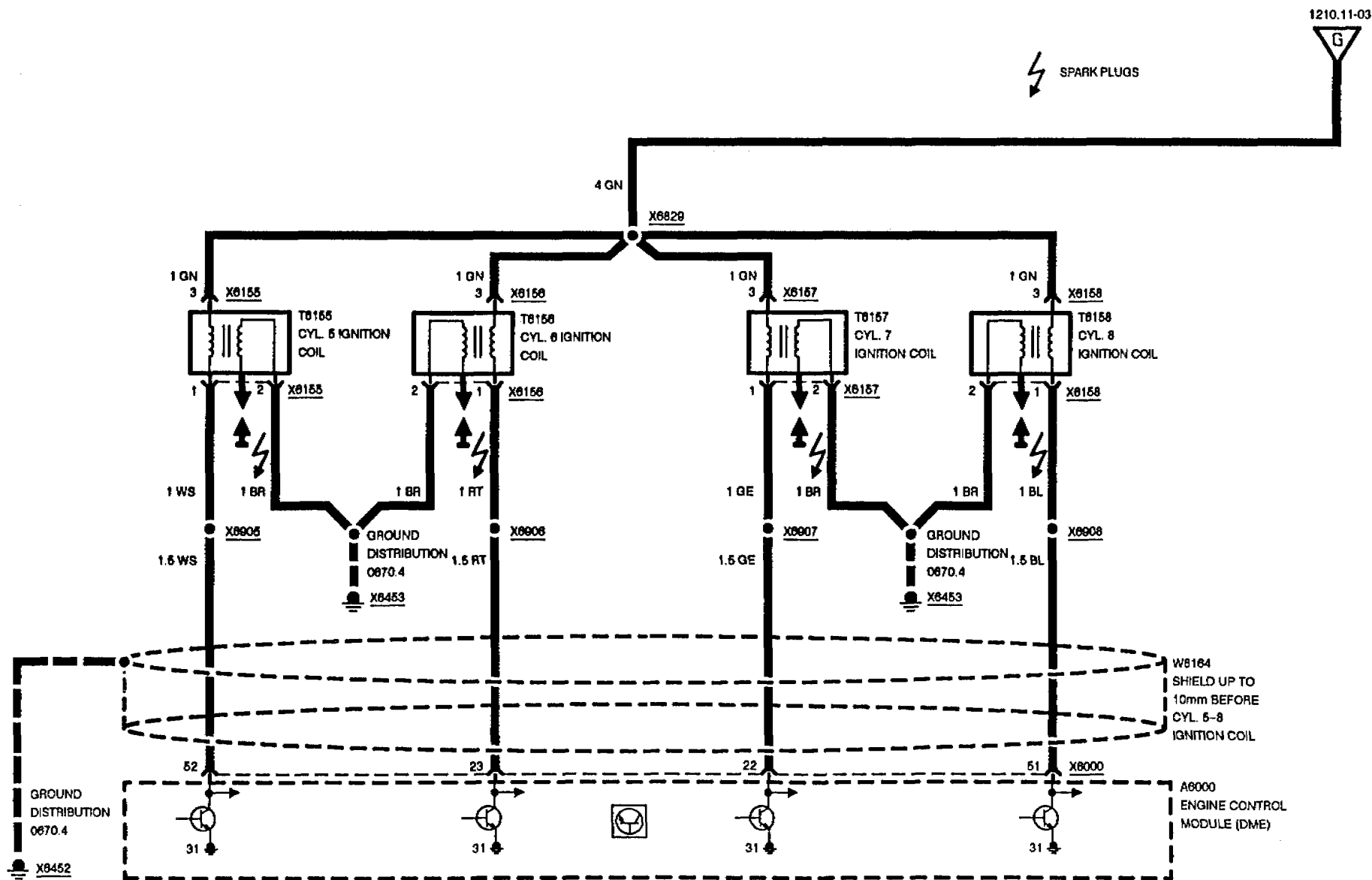
IGNITION COILS





ENGINE CONTROL SYSTEM (DME M3.3, 8-CYLINDER M60)

IGNITION COILS



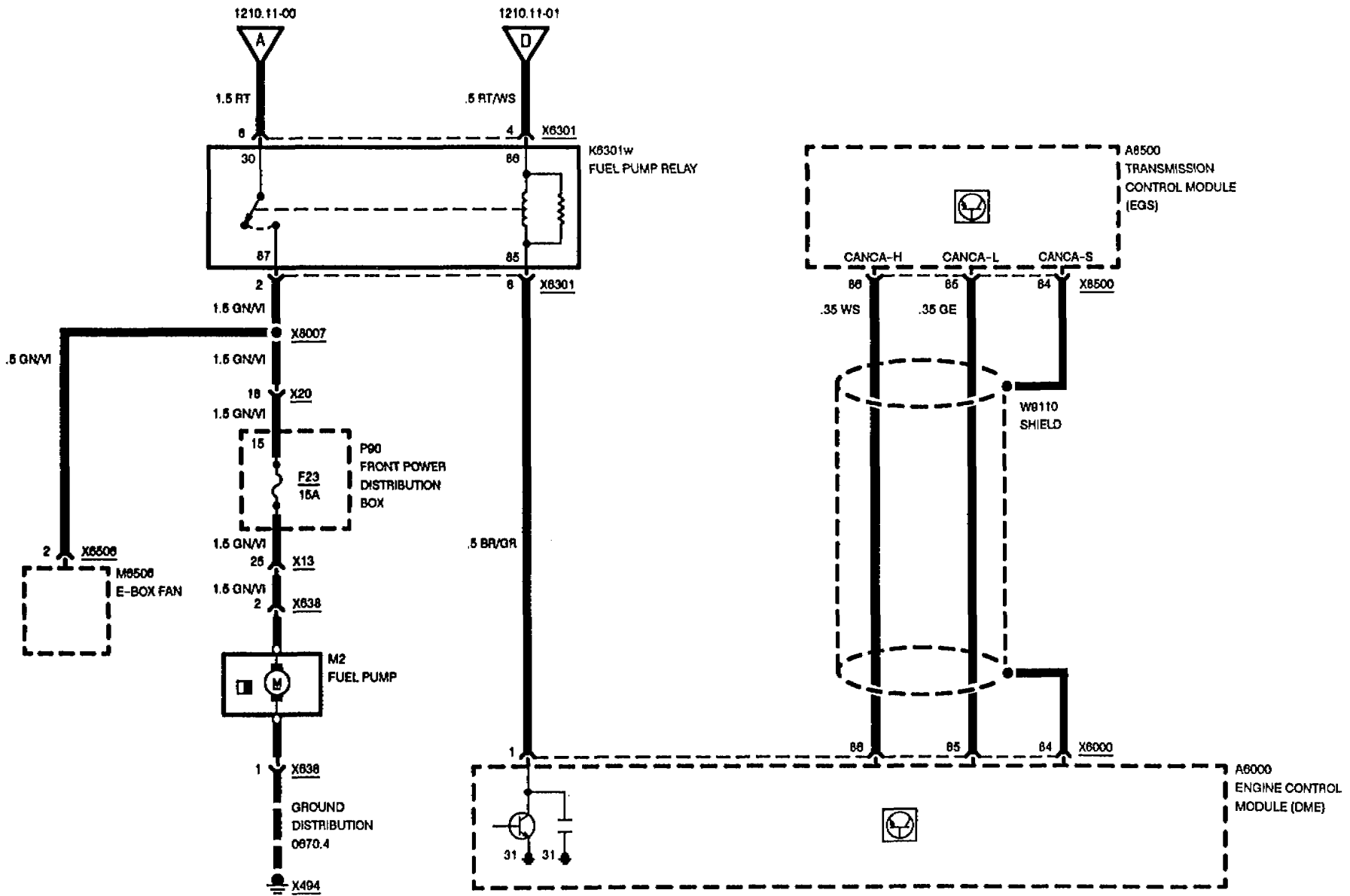
12/94

1210.11-04

1994

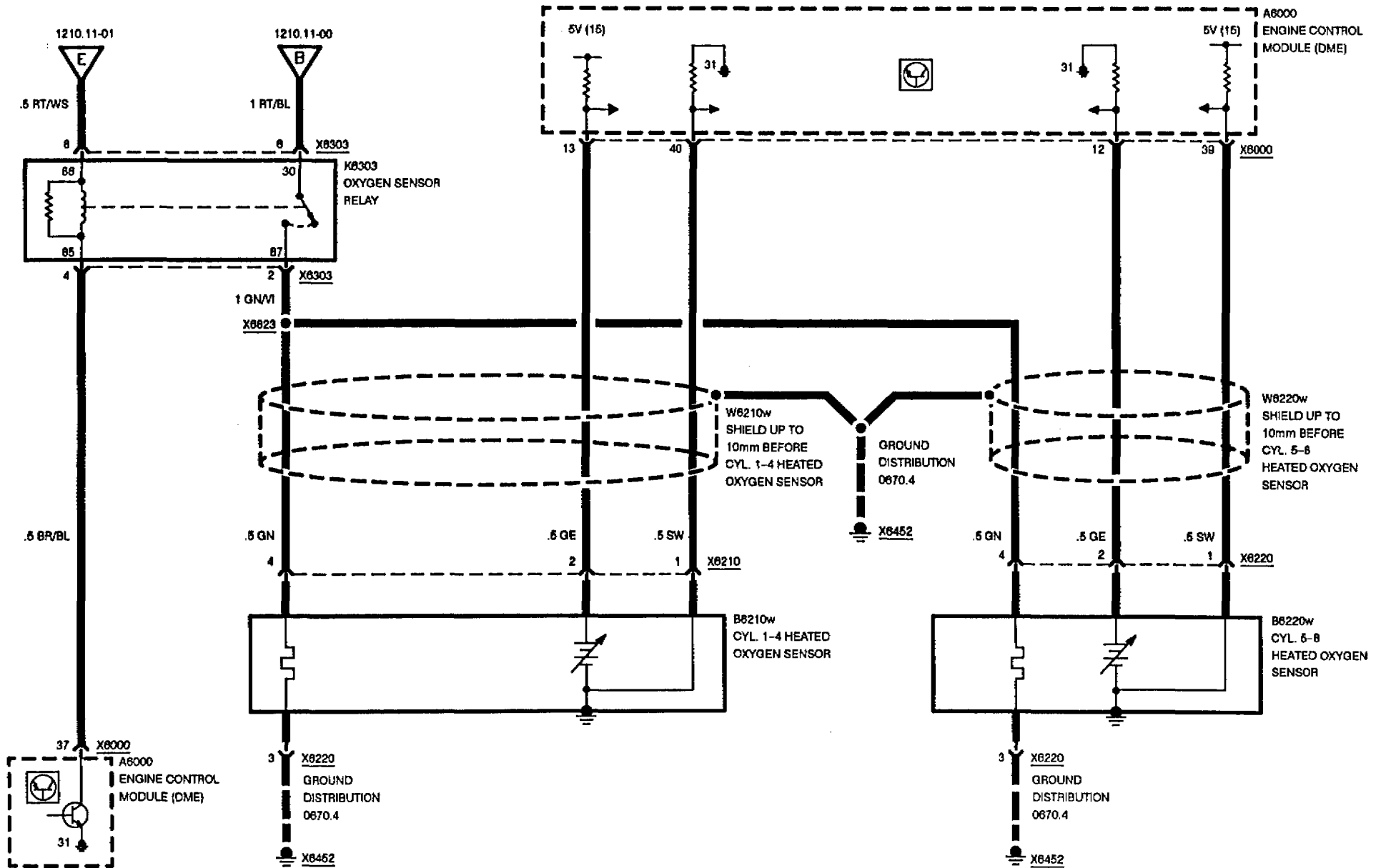


ENGINE CONTROL SYSTEM (DME M3.3, 8-CYLINDER M60)

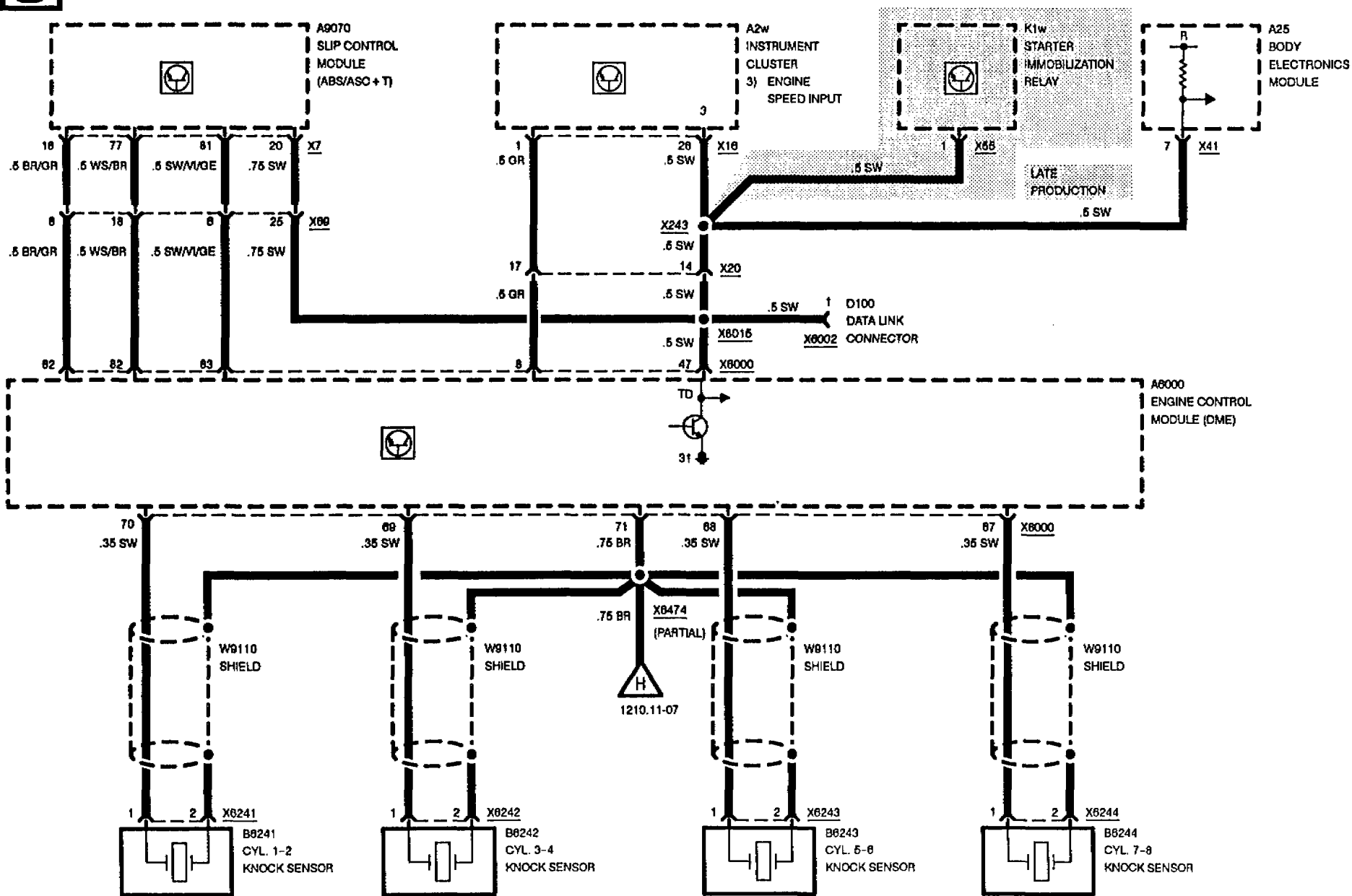




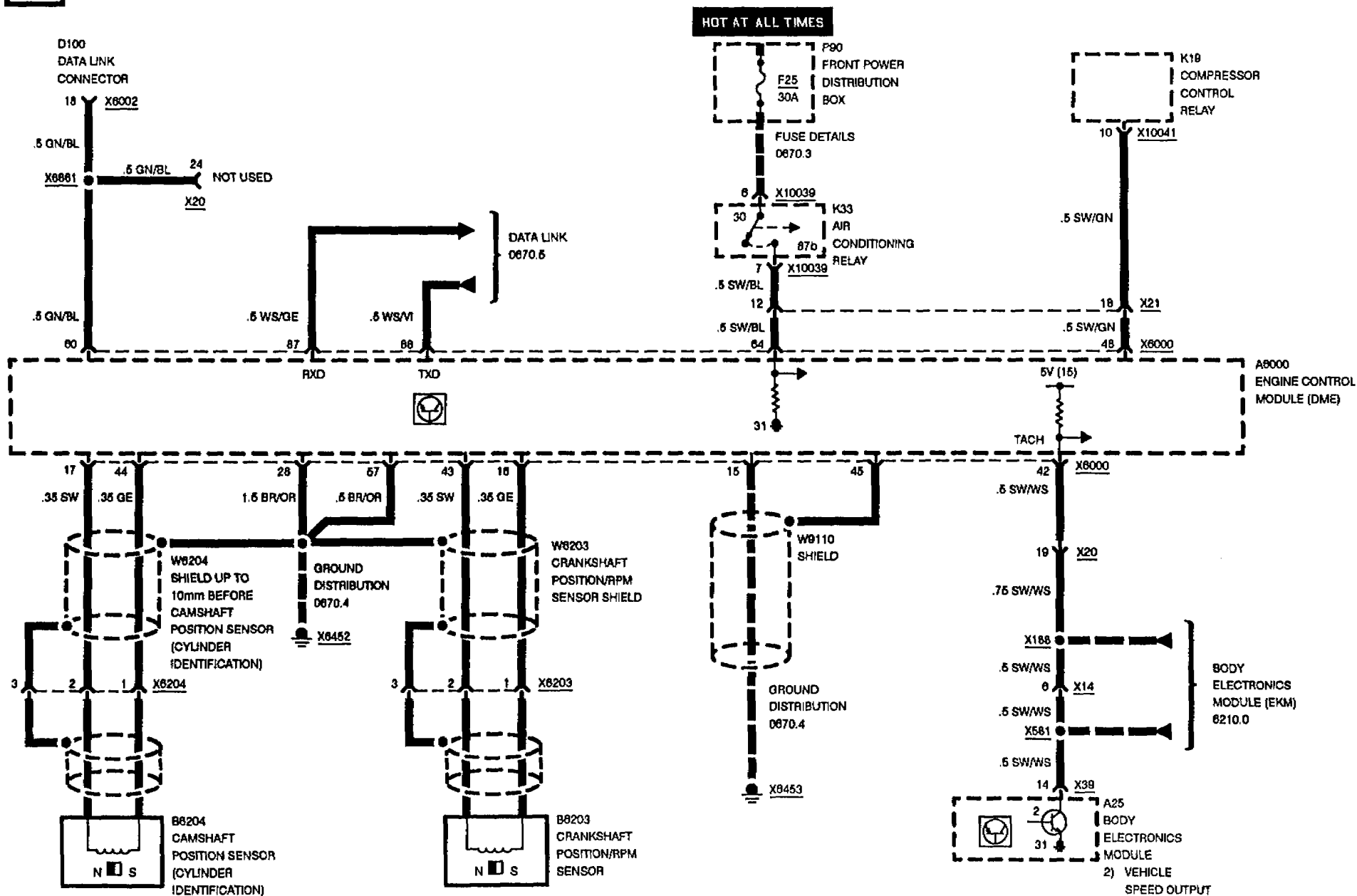
ENGINE CONTROL SYSTEM (DME M3.3, 8-CYLINDER M60) OXYGEN SENSORS



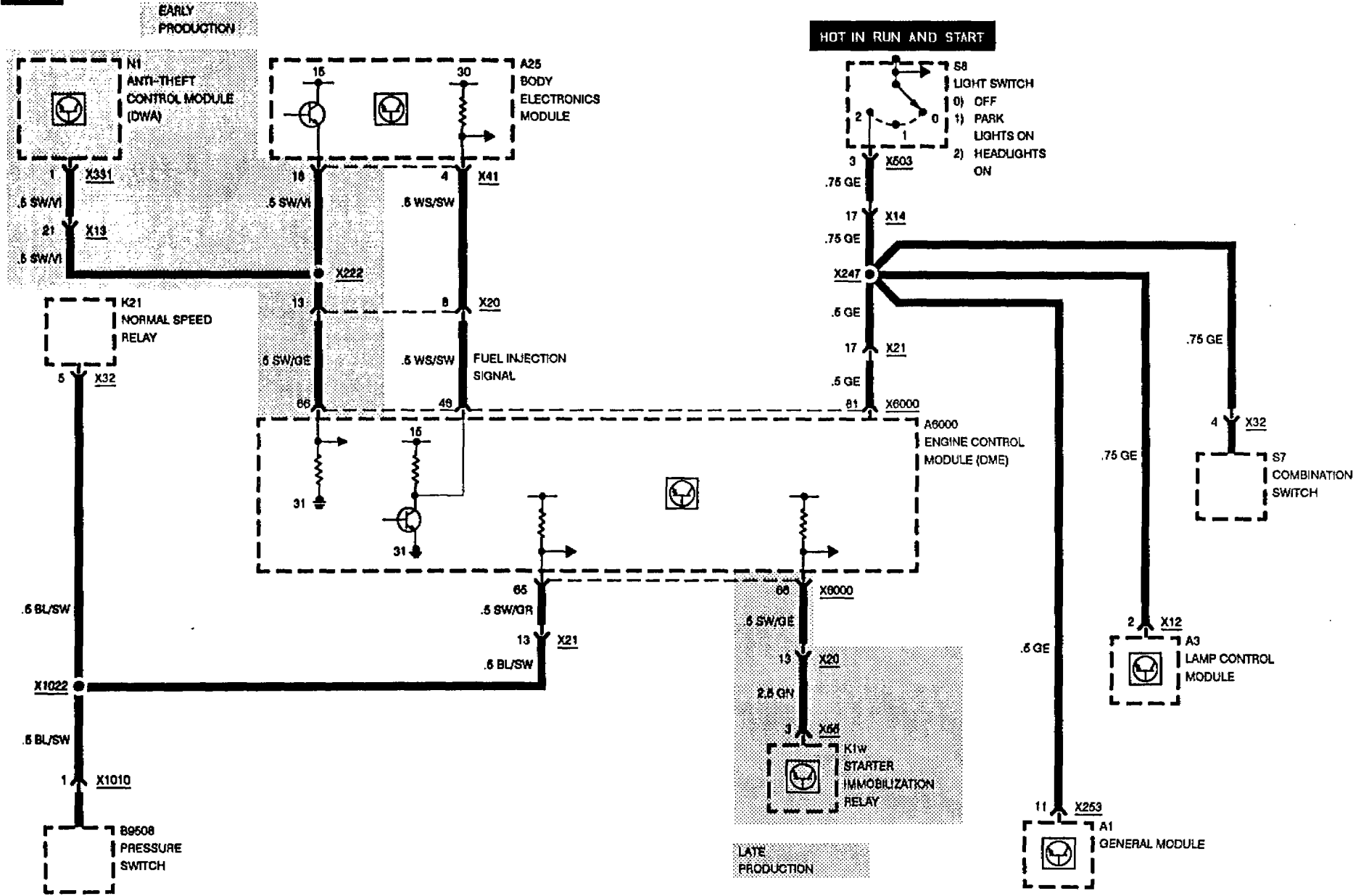
ENGINE CONTROL SYSTEM (DME M3.3, 8-CYLINDER M60)



ENGINE CONTROL SYSTEM (DME M3.3, 8-CYLINDER M60)



ENGINE CONTROL SYSTEM (DME M3.3, 8-CYLINDER M60)

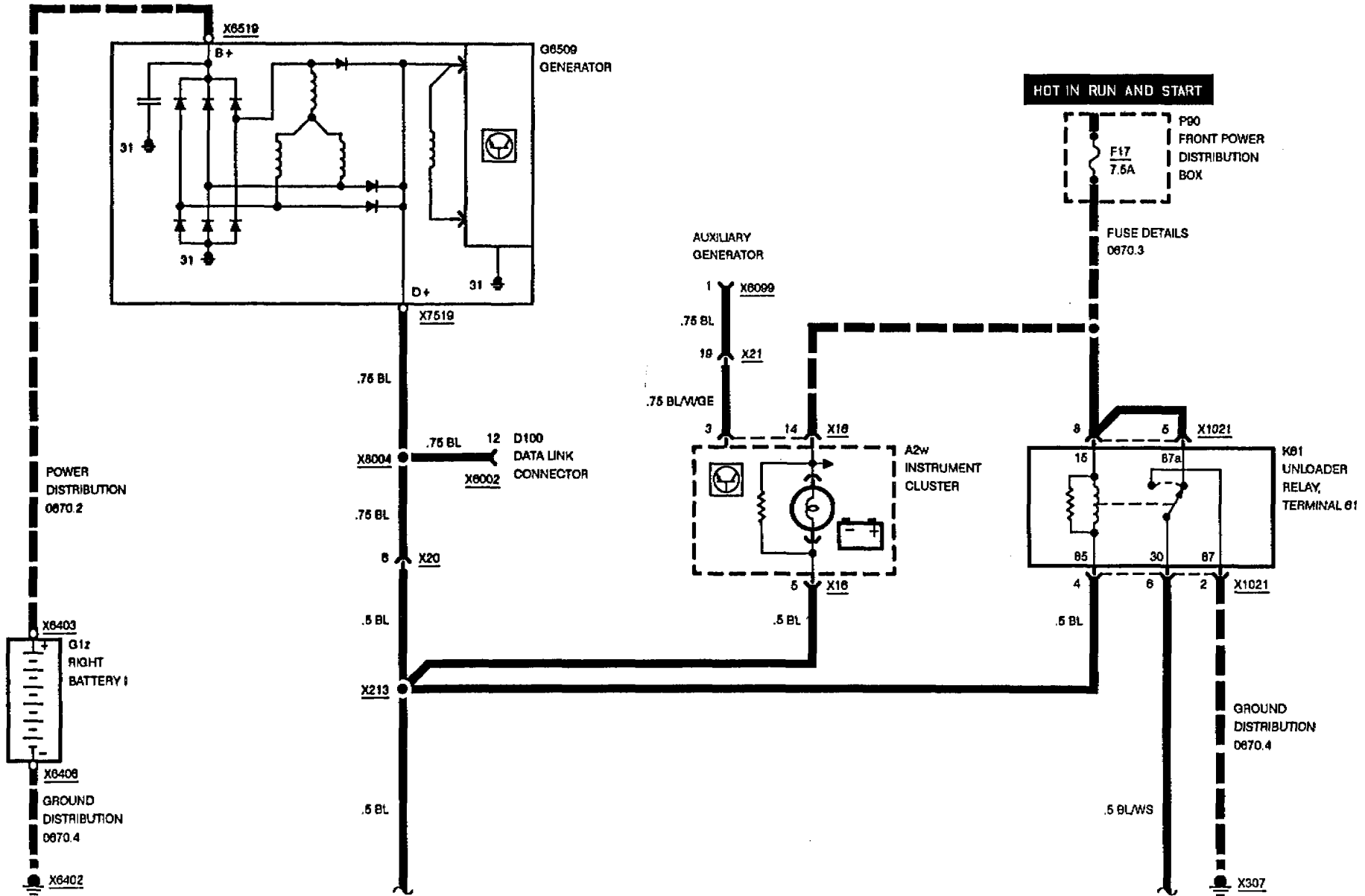


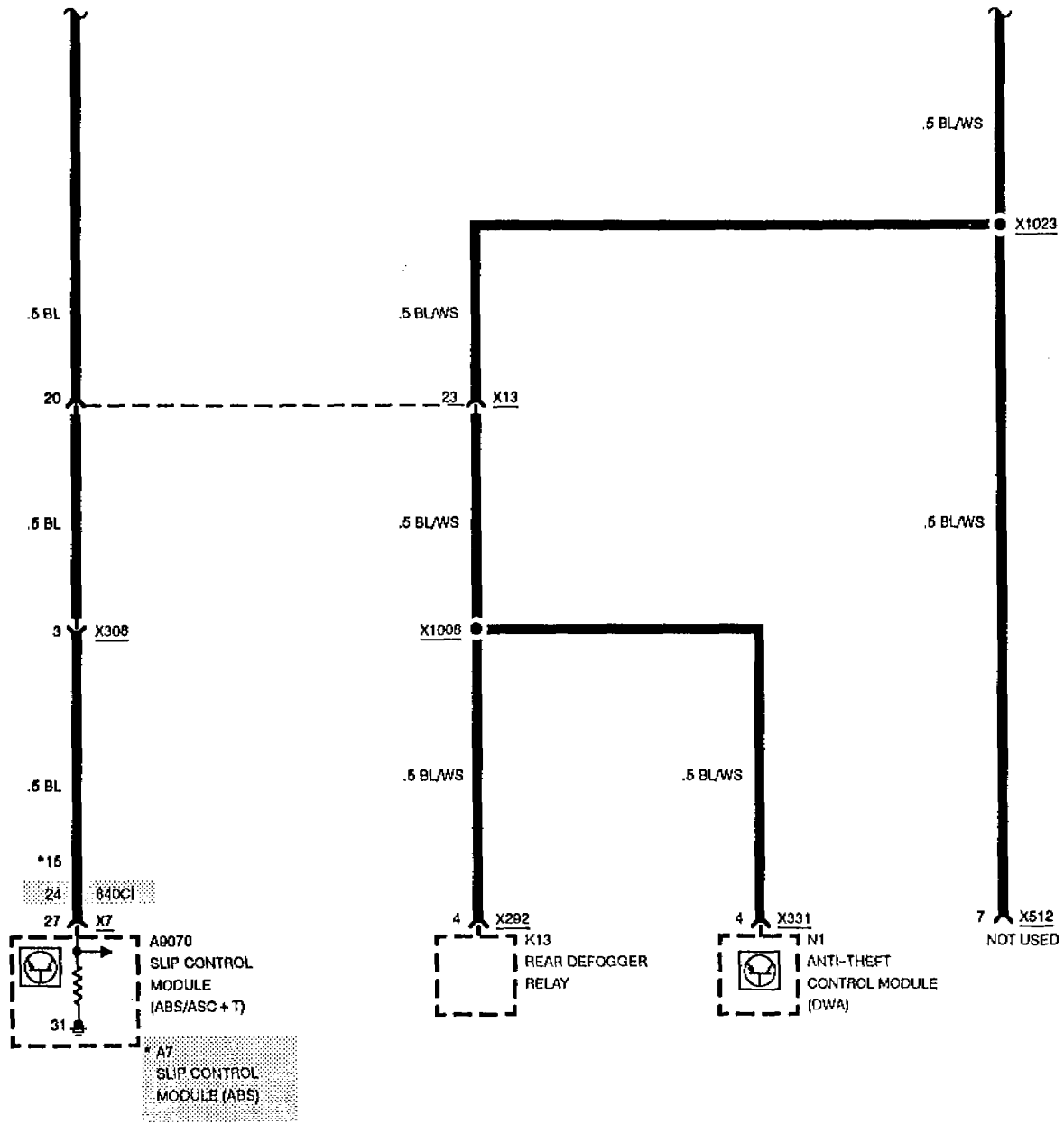
BMW
8

1230.0



CHARGING SYSTEM



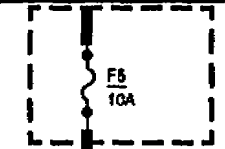




START

EARLY PRODUCTION

HOT IN RUN AND START



FUSE DETAILS
0670.3

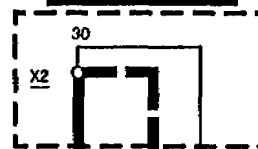
850CI

	L1	L2	L3	L4
P	1	1	0	0
R	1	0	0	1
N	0	1	1	0
D	0	0	0	1
3	0	0	1	0
2	1	0	0	0
1	1	0	1	0

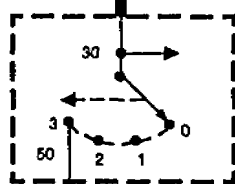
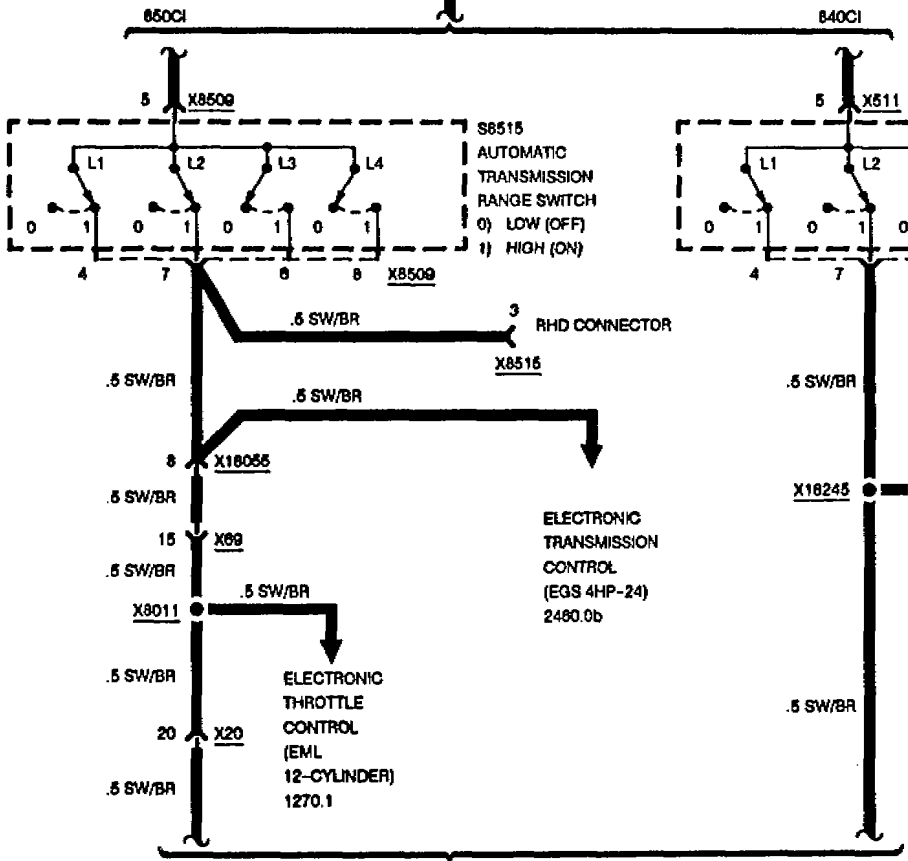
840CI

	L1	L2	L3	L4
P	1	1	0	1
R	1	0	0	0
N	1	1	1	0
D	0	0	0	1
4	0	0	1	1
3	1	0	1	1
2	0	0	1	0

HOT AT ALL TIMES



POWER DISTRIBUTION
0670.2



S2
IGNITION
SWITCH
0) OFF
1) ACCESSORY
2) RUN
3) START

ELECTRONIC
TRANSMISSION
CONTROL
(EGS: GS 9.20/
A5S 580Z)
2480.7



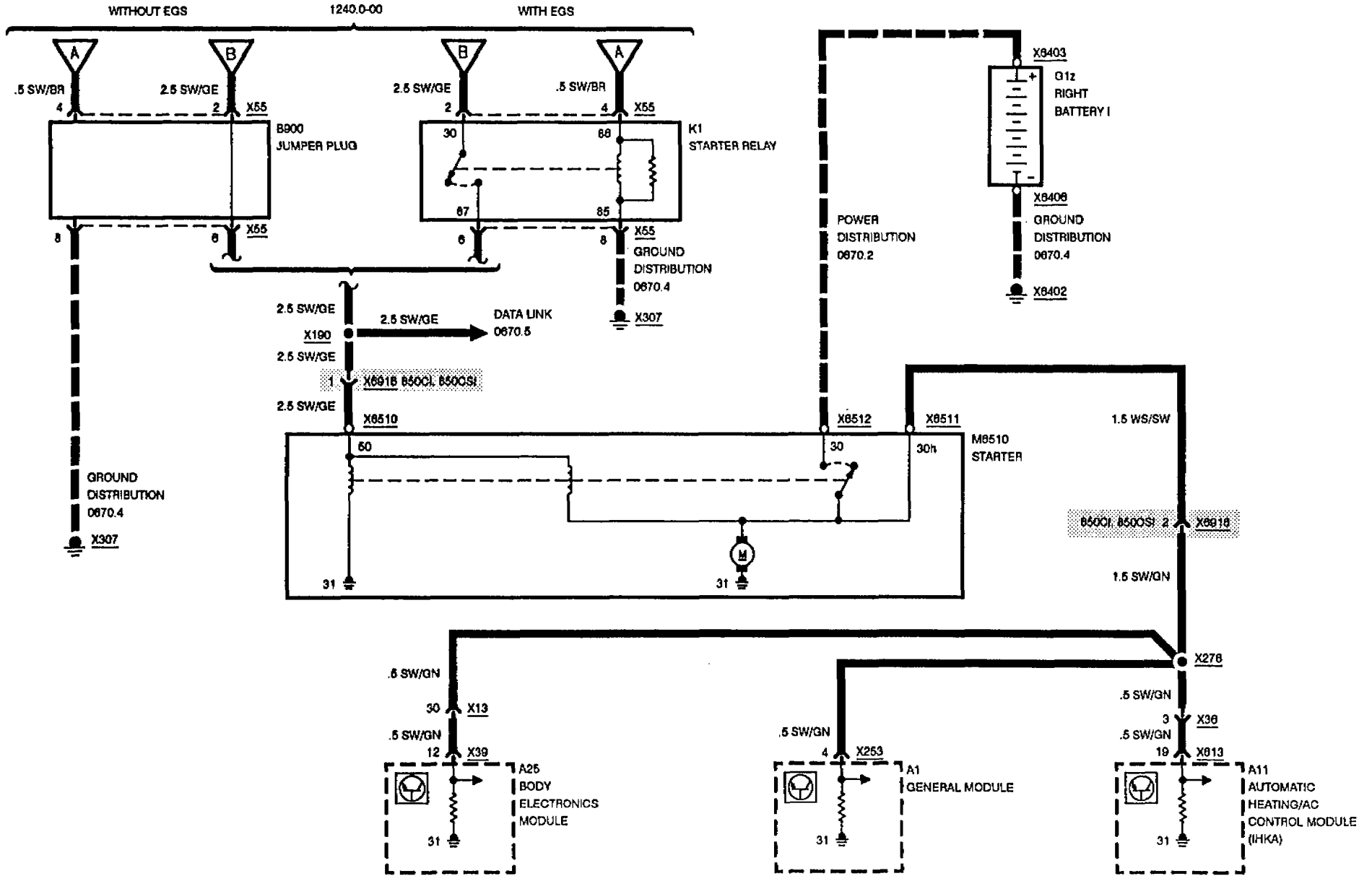
1240.0-01



1240.0-01

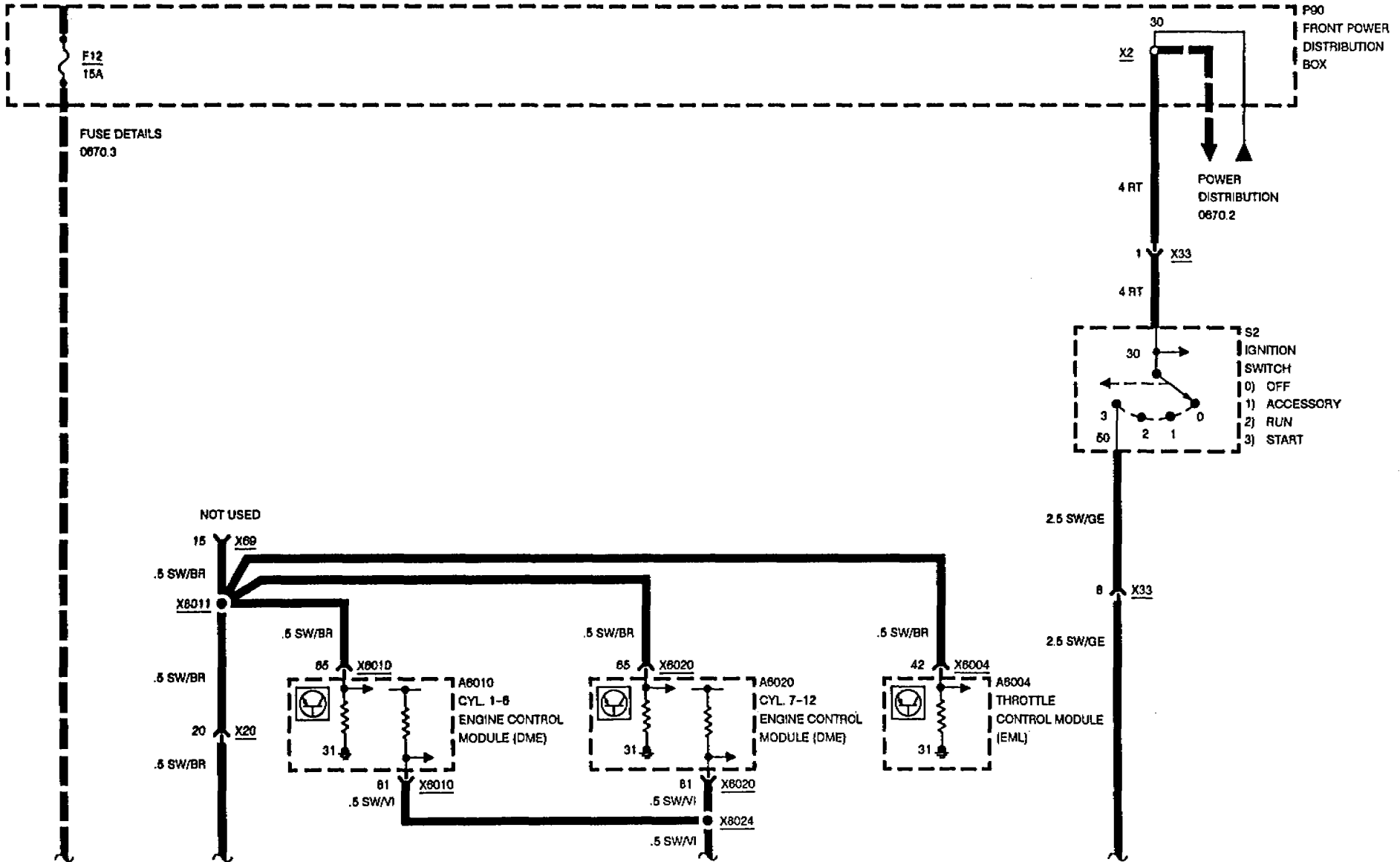


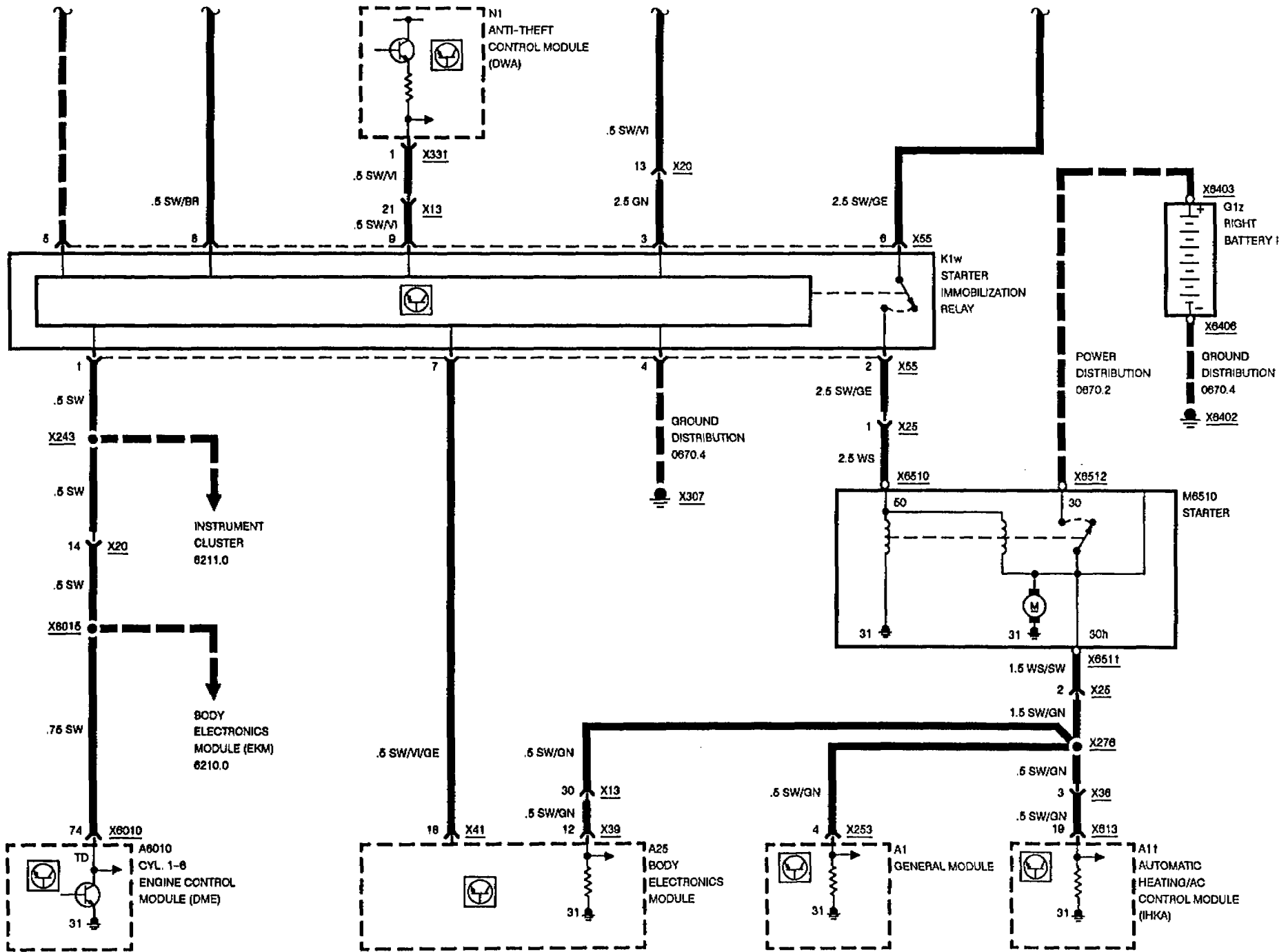
START



HOT IN RUN AND START

HOT AT ALL TIMES







START

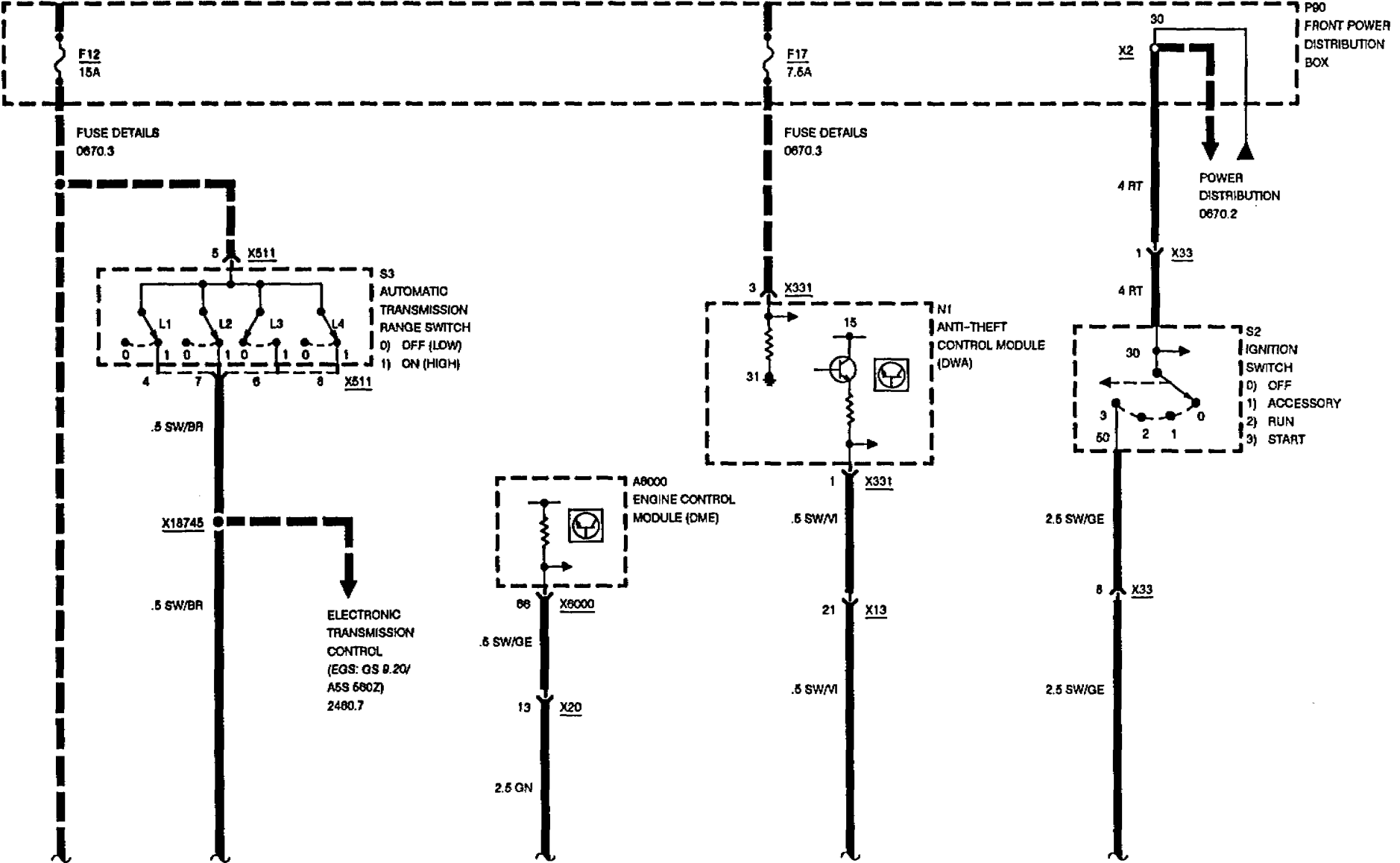
840CI

LATE PRODUCTION

HOT IN RUN AND START

HOT IN RUN AND START

HOT AT ALL TIMES



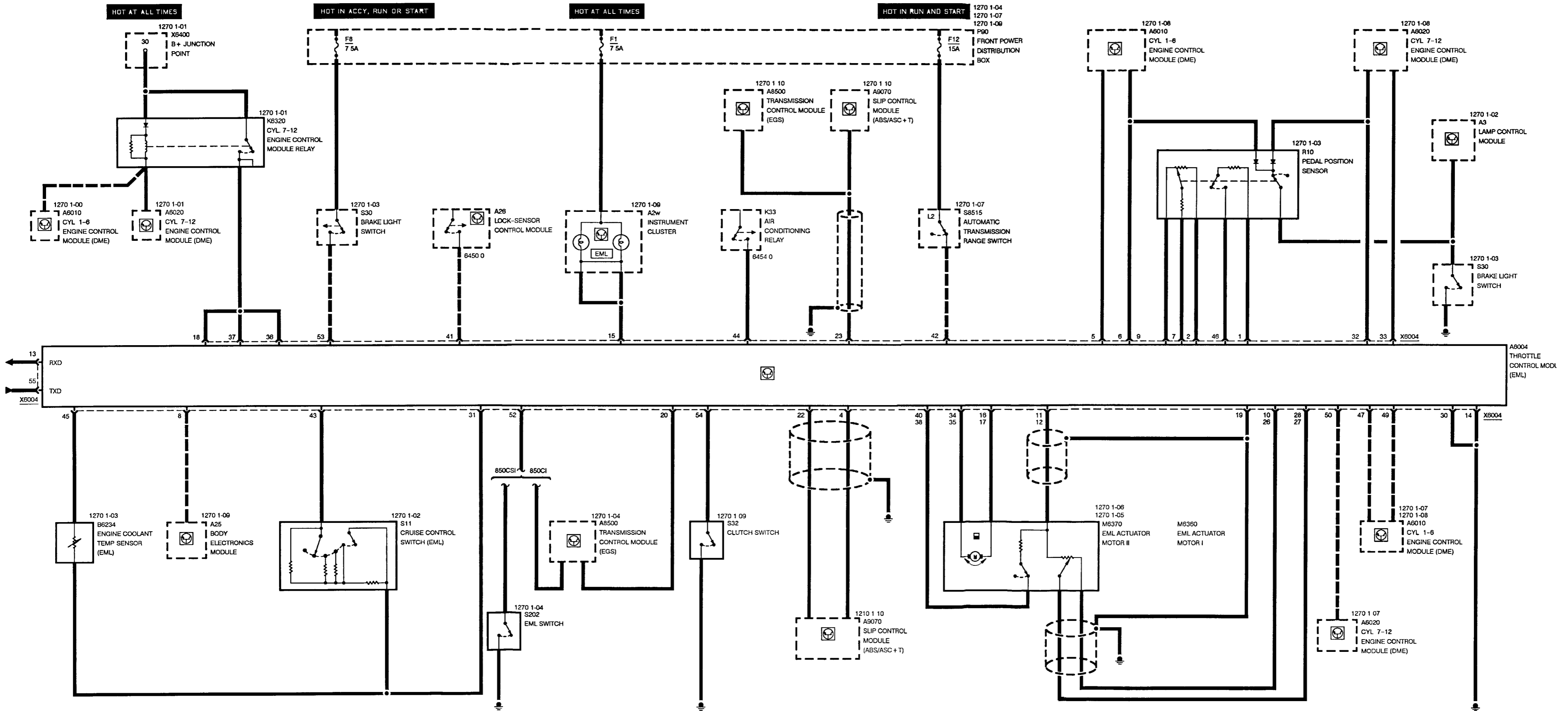
12/94

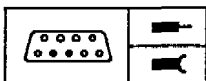
1240.0-04

1994

BMW
8

1240.0-06



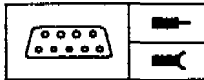


Pin Assignments

X6004

Pin	Type	Description/Function	Connection
1	A	5 V (not short-circuit-proof)	Pedal position sensor
2	M	Ground (electronic ground)	Pedal position sensor ground
3		Not used	
4	E	Throttle valve angle reduction (DKR)	Slip control module (ASC + T)
5	A	Wide open throttle signal	Cyl. 1-6 engine control module (DME)
6	A	Idle signal	Cyl. 1-6 engine control module (DME)
7	E	Pedal position	Pedal position sensor
8	E	Speedometer signal	Body electronics module (EKM)
9	A	5 V (not short-circuit-proof)	Pedal position sensor
10	M	Ground (electronic ground)	Component ground Cyl. 7-12 throttle body
11	A	5 V (not short-circuit-proof)	Cyl. 7-12 throttle body
12	A	5 V (not short-circuit-proof)	Cyl. 1-6 throttle body
13	E	RxD diagnostic data line	Data link connector
14	M	Ground (Output ground)	Output ground Cyl. 1-6 throttle body
15	A E	EML warning lamp Voltage supply for defect code memory	Instrument cluster
16	A	Throttle actuator (DK)	Cyl. 7-12 throttle body
17	A	Throttle actuator (DK)	Cyl. 1-6 throttle body
18	E	Voltage supply (+)	Cyl. 7-12 engine control module relay
19	M	Ground	Ground point
20	A	Kick-down signal	Transmission control module (EGS)
21		Not used	
22	E	Throttle valve angle increase (DKE)	Slip control module (ASC + T)
23	A	Throttle valve angle signal (DKV)	Slip control module (ASC + T)
24		Not used	
25		Not used	
26	M	Ground (electronic ground)	Component ground Cyl. 1-6 throttle body
27	E	Throttle position	Cyl. 1-6 throttle body potentiometer
28	E	Throttle position	Cyl. 7-12 throttle body potentiometer

E = Input, A = Output, M = Ground



Pin Assignments

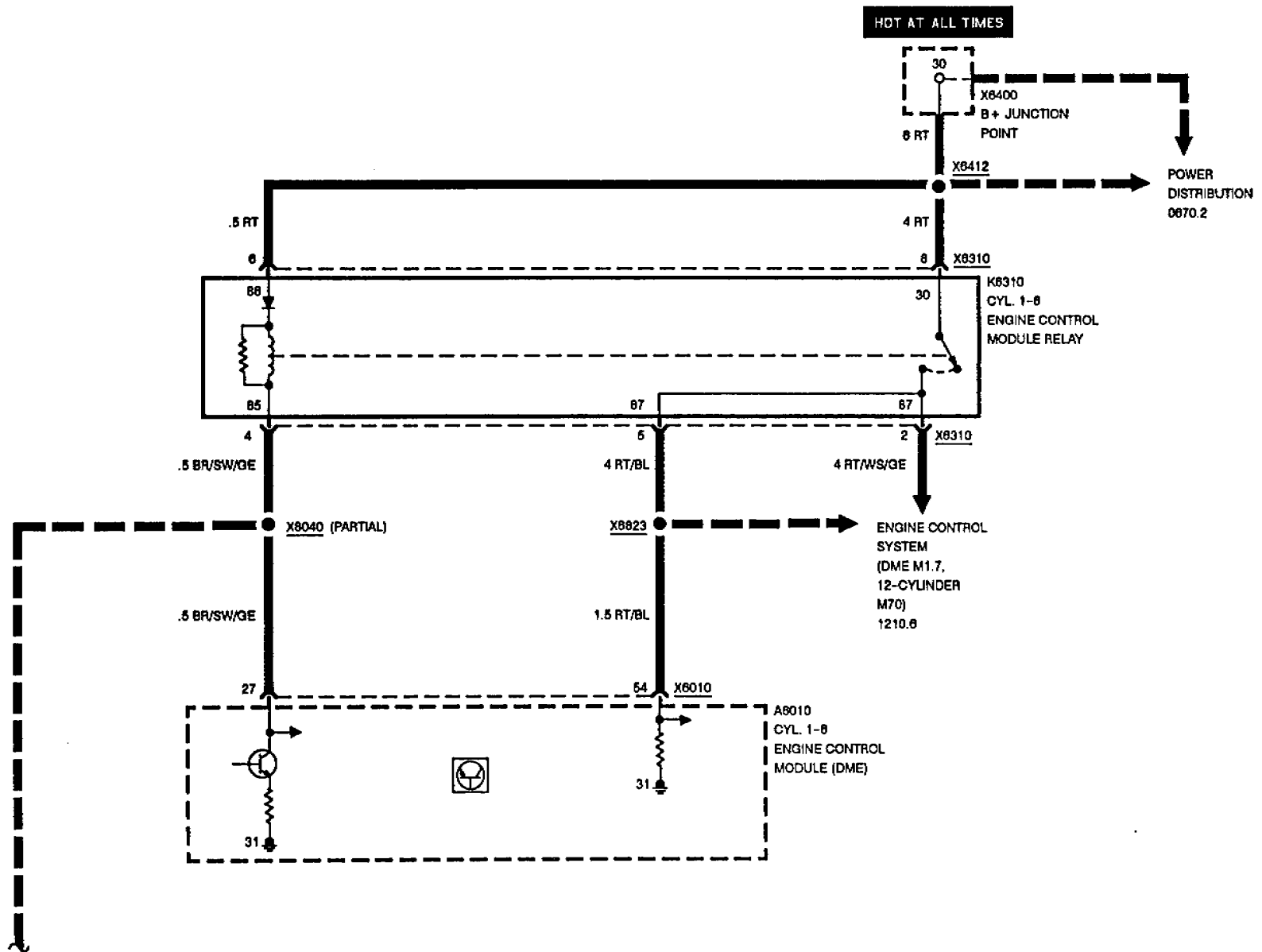
Pin	Type	Description/Function	Connection
29		Not used	
30	M	Ground (output ground)	Output ground Cyl. 7-12 throttle body
31	M	Ground (electronic ground)	Engine coolant temperature sensor (EML)
32	A	Idle signal	Cyl. 7-12 engine control module (DME)
33	A	Wide open throttle	Cyl. 7-12 engine control module (DME)
34	A	Throttle actuator (DK)	Cyl. 7-12 throttle body
35	A	Throttle actuator (DK)	Cyl. 1-6 throttle body
36	E	Voltage supply (+)	Cyl. 7-12 engine control module relay
37	E	Voltage supply (+)	Cyl. 7-12 engine control module relay
38	E	Throttle angle 17° switch	Cyl. 1-6 throttle body
39		Not Used	
40	E	Throttle angle 17° switch	Cyl. 7-12 throttle body
41	E	A/C compressor ON	Lock sensor control module
42	E	Park/Neutral sensing	Automatic transmission range switch
43	E/A	Cruise control	Cruise control switch
44	E	A/C status signal	Air conditioning relay
45	E/A	Engine coolant temperature	Engine coolant temperature sensor (EML)
46	E	Pedal position sensor 9° switch	Pedal position sensor
47	E	Engine speed signal (TD)	Cyl. 1-6 engine control module (DME)
48		Not Used	
49	E	Injection signal (ti)	Cyl. 1-6 engine control module (DME)
50	E	Injection signal (ti)	Cyl. 1-6 engine control module (DME)
51		Not Used	
52	E	S-program identifier	850Ci Transmission control module 850CSi EML - Switch
53	E	Brake pedal position	Brake light switch
54	E	Clutch pedal position	Clutch switch
55	E/A	TxD diagnostic data line	Data link connector

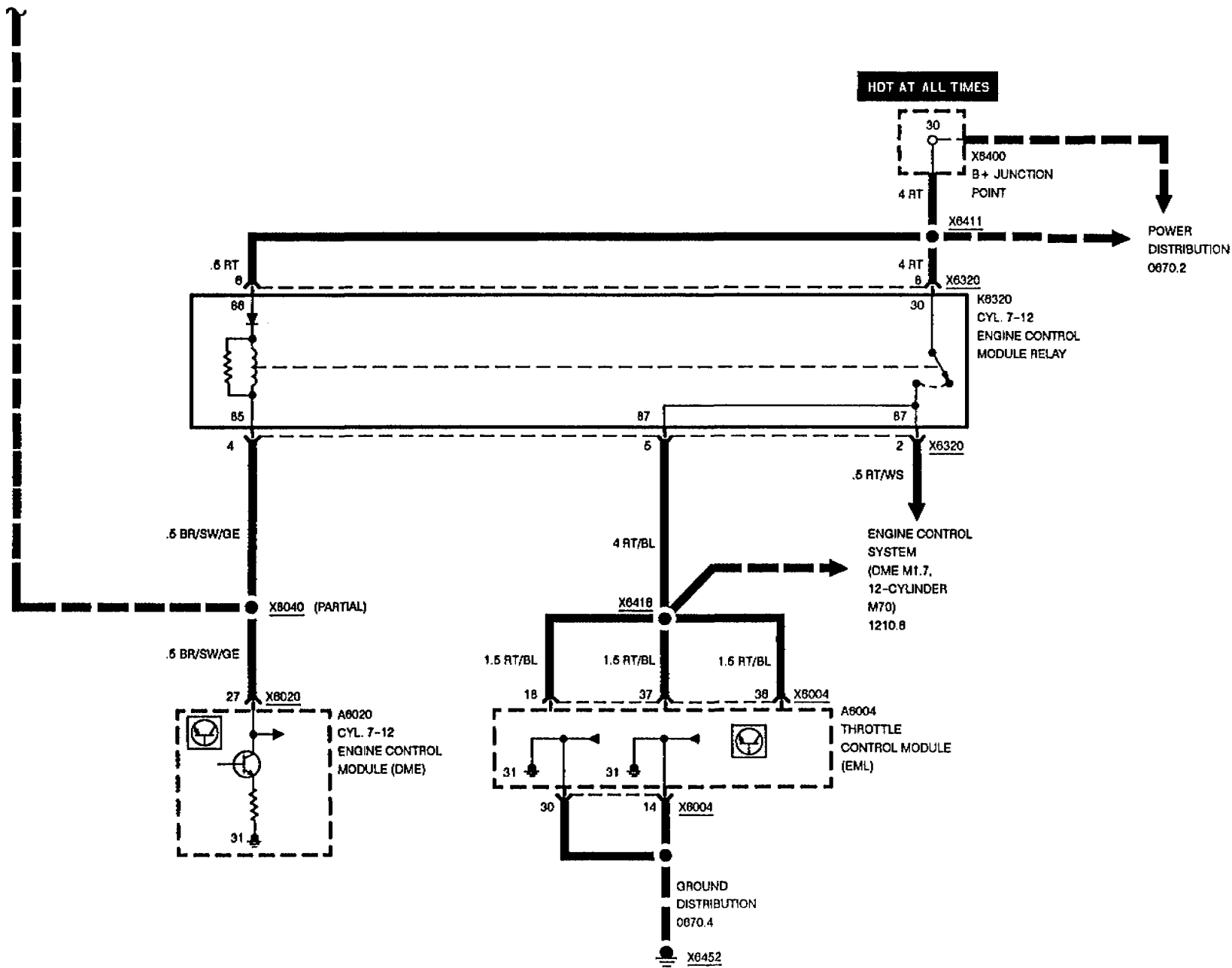
E = Input, A = Output, M = Ground





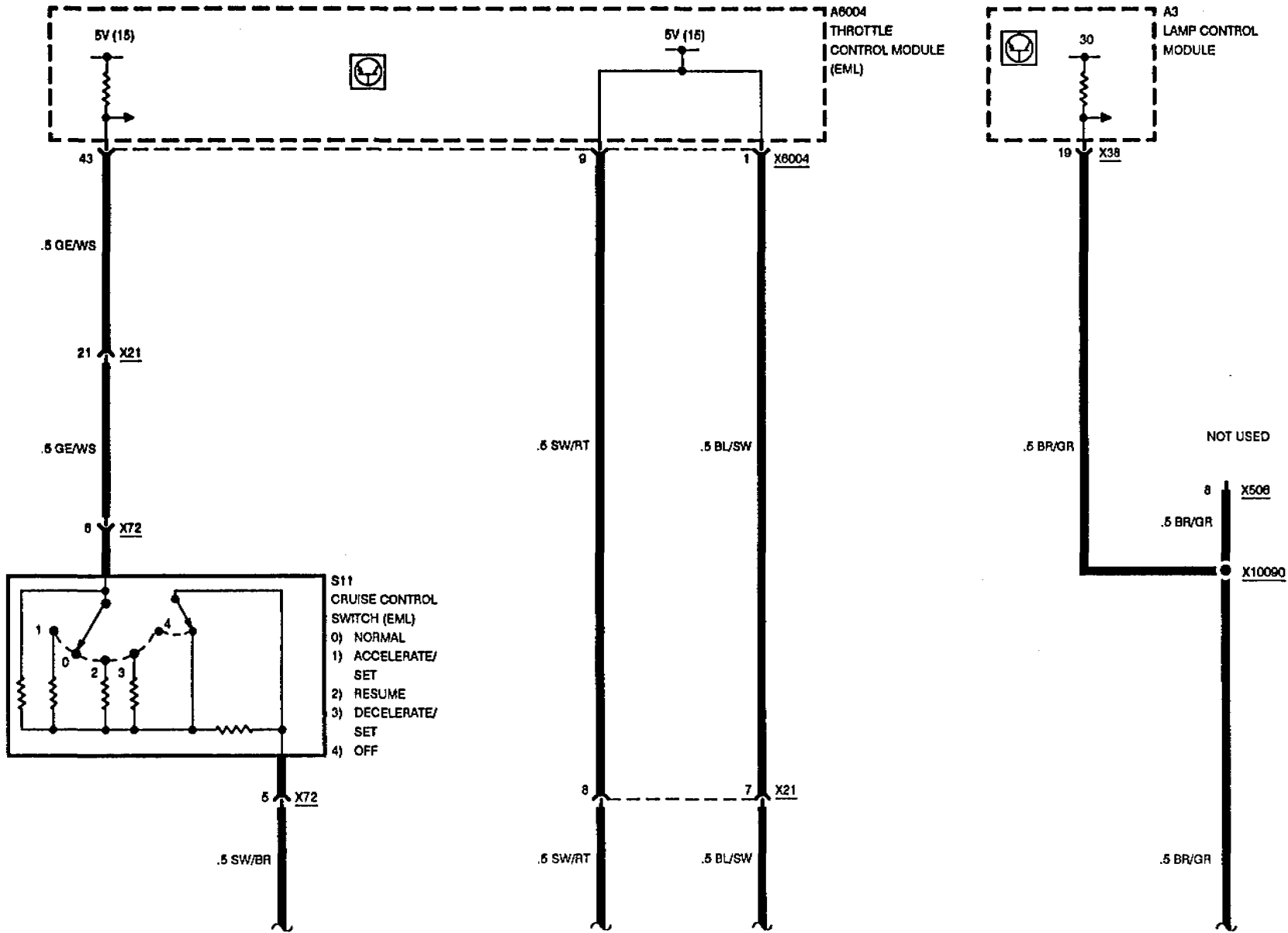
ELECTRONIC THROTTLE CONTROL (EML 12-CYLINDER)





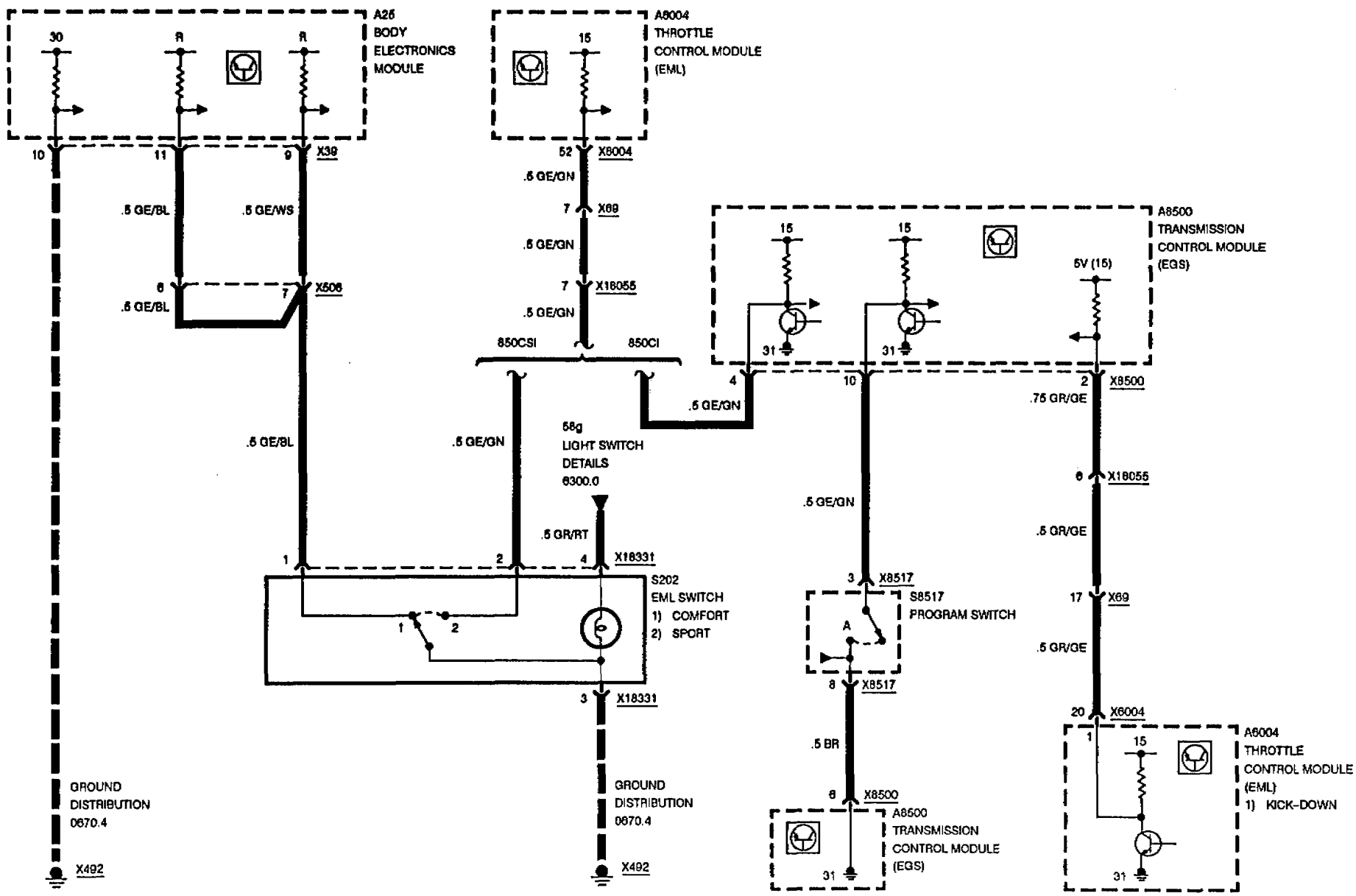


ELECTRONIC THROTTLE CONTROL (EML 12-CYLINDER)



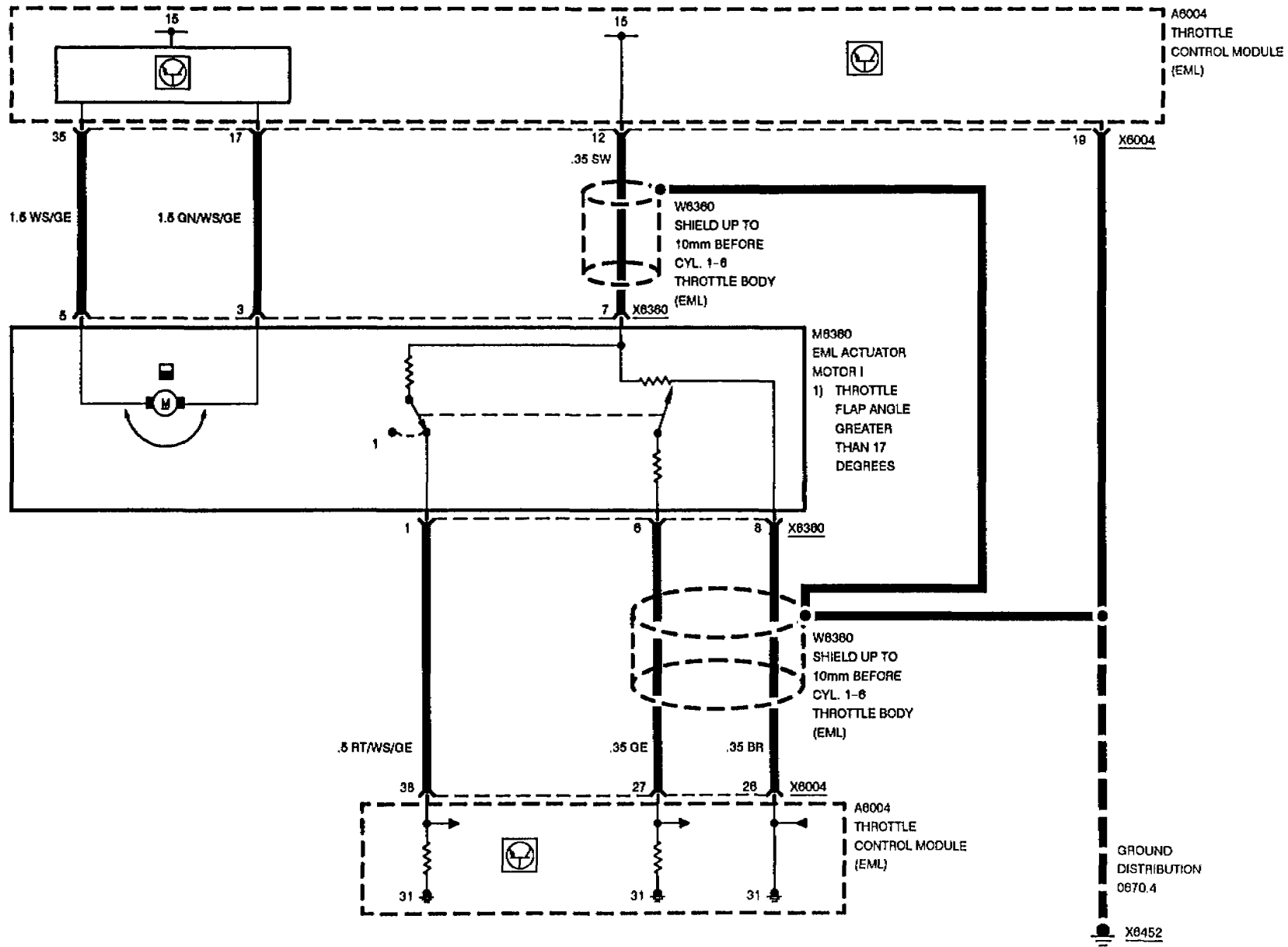


ELECTRONIC THROTTLE CONTROL (EML 12-CYLINDER)



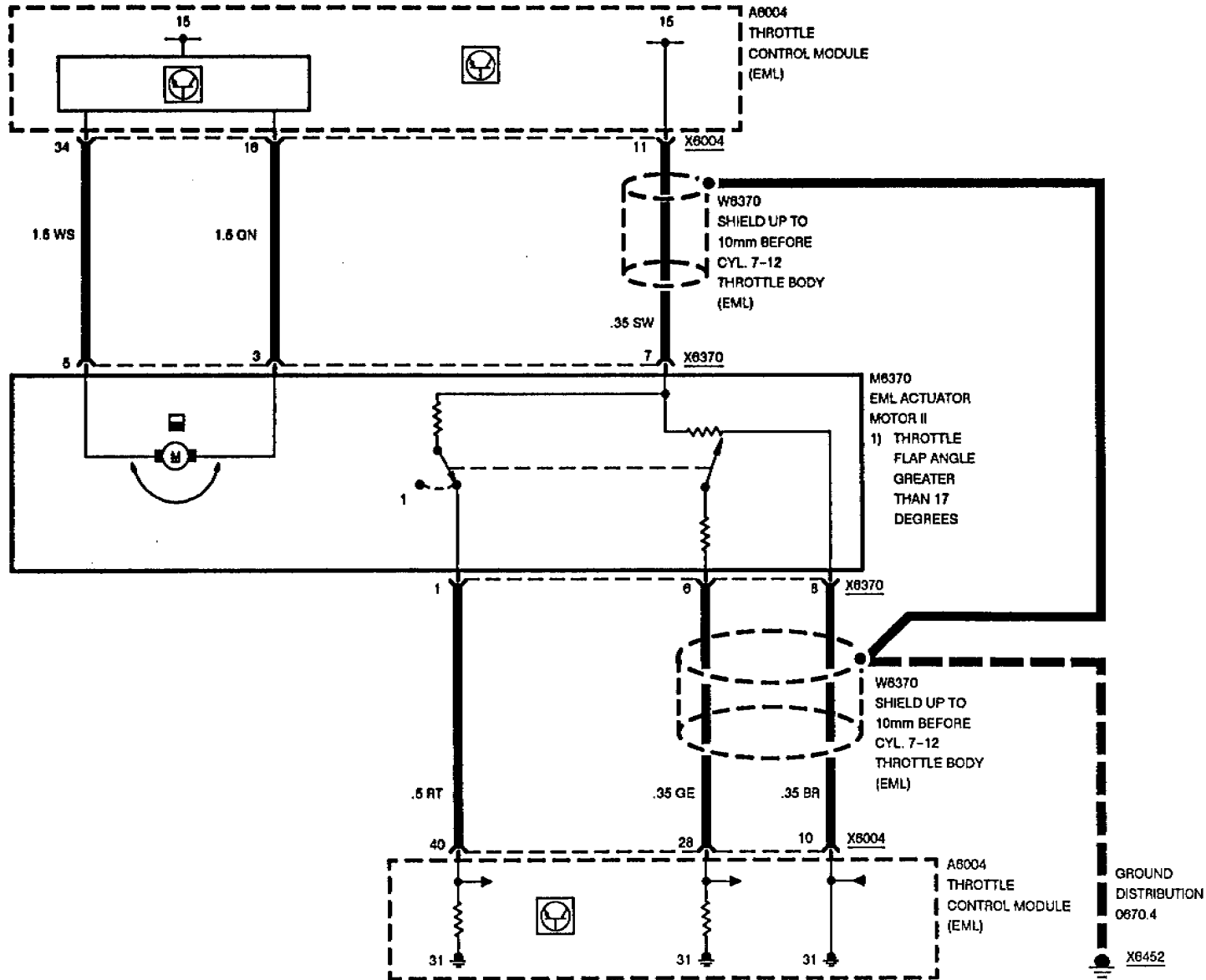


ELECTRONIC THROTTLE CONTROL (EML 12-CYLINDER)

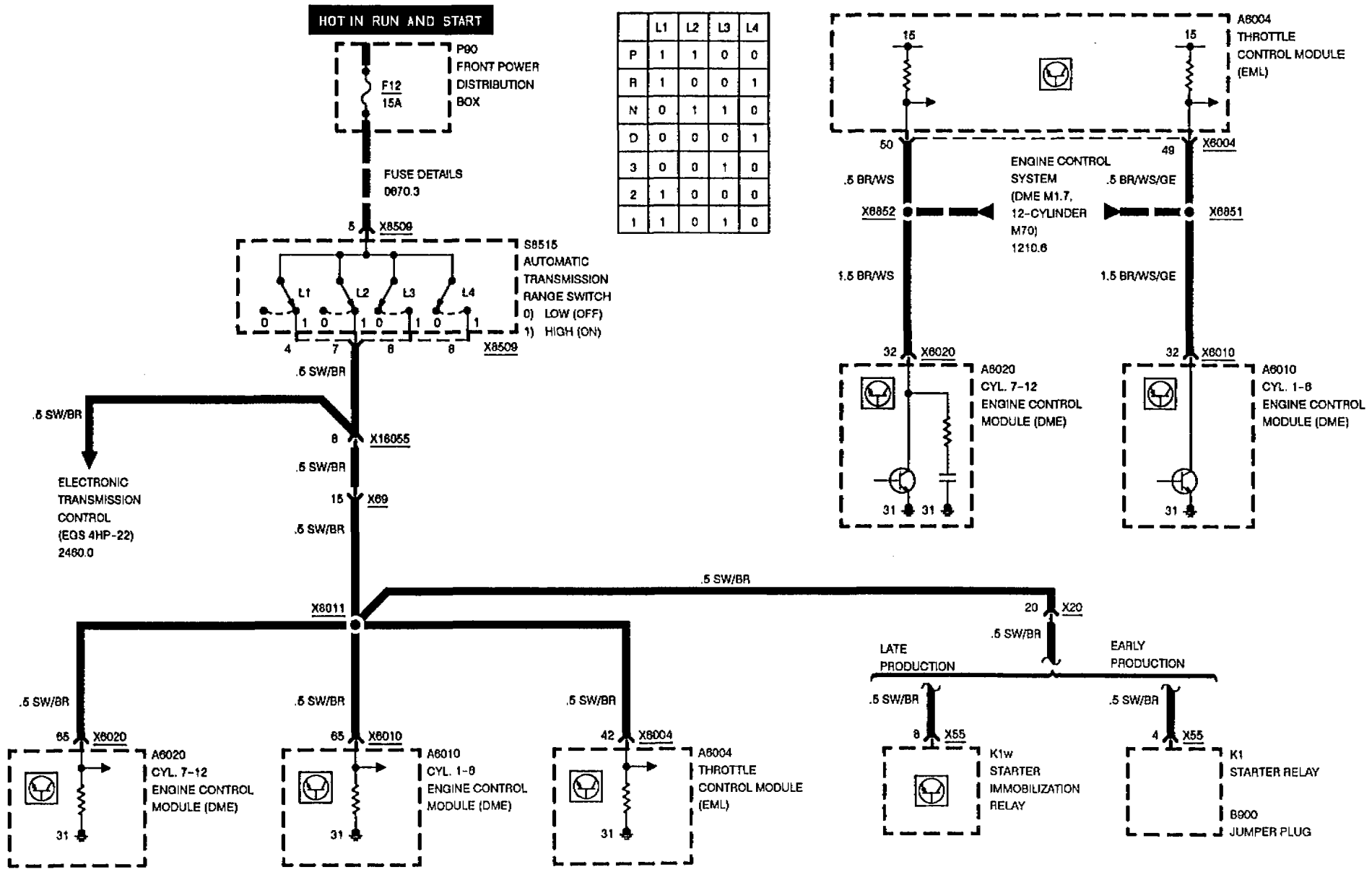




ELECTRONIC THROTTLE CONTROL (EML 12-CYLINDER)

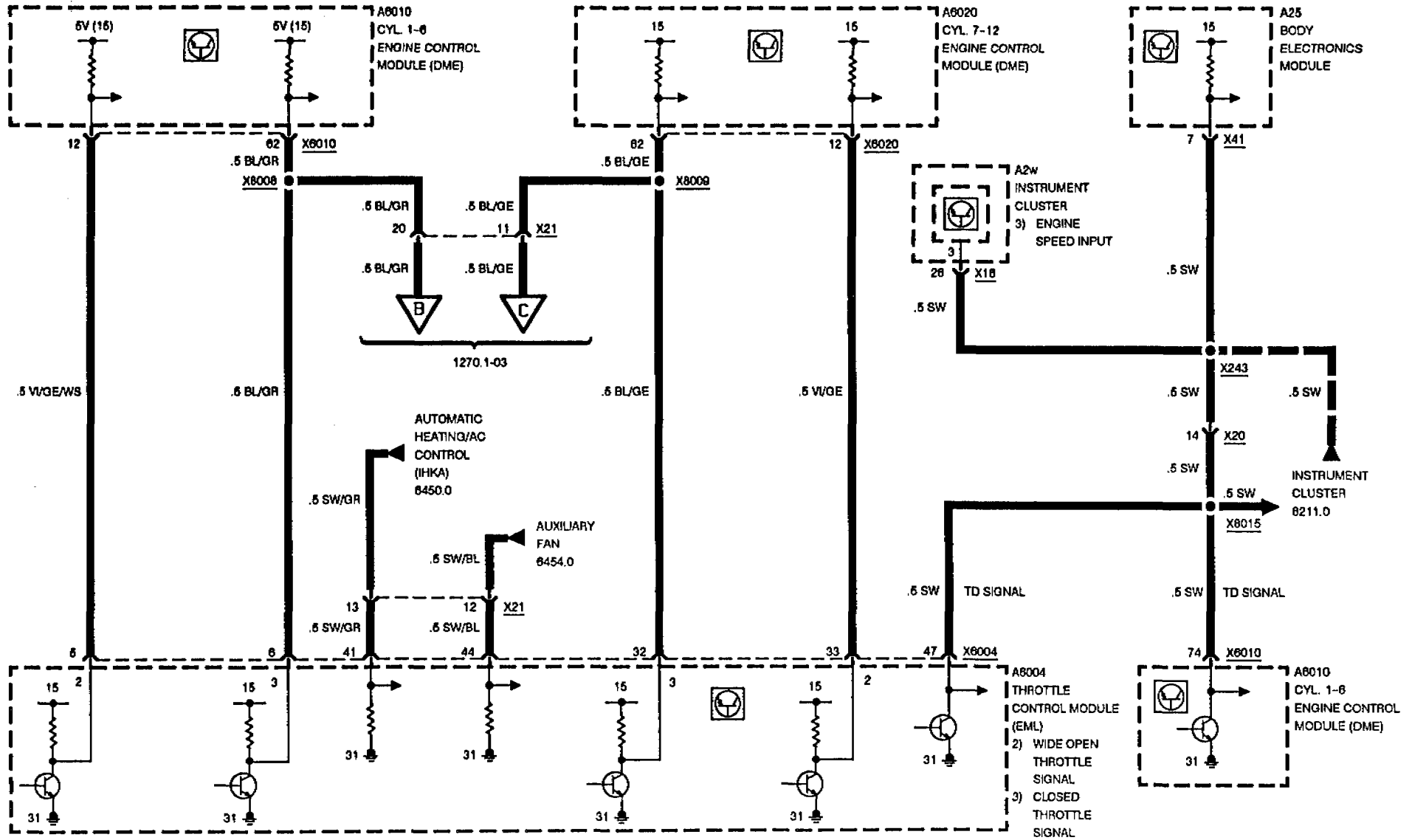


ELECTRONIC THROTTLE CONTROL (EML 12-CYLINDER)

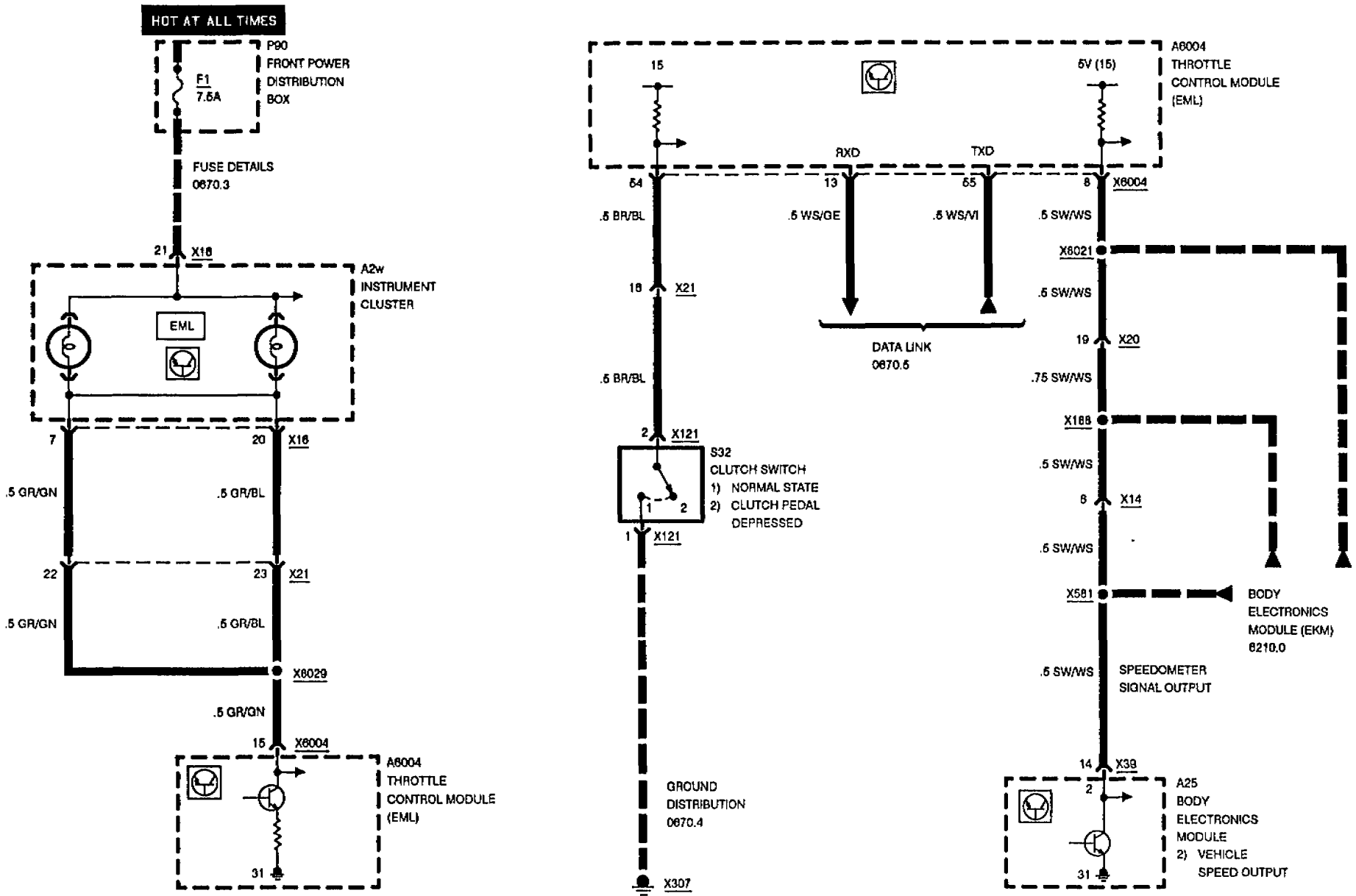




ELECTRONIC THROTTLE CONTROL (EML 12-CYLINDER)



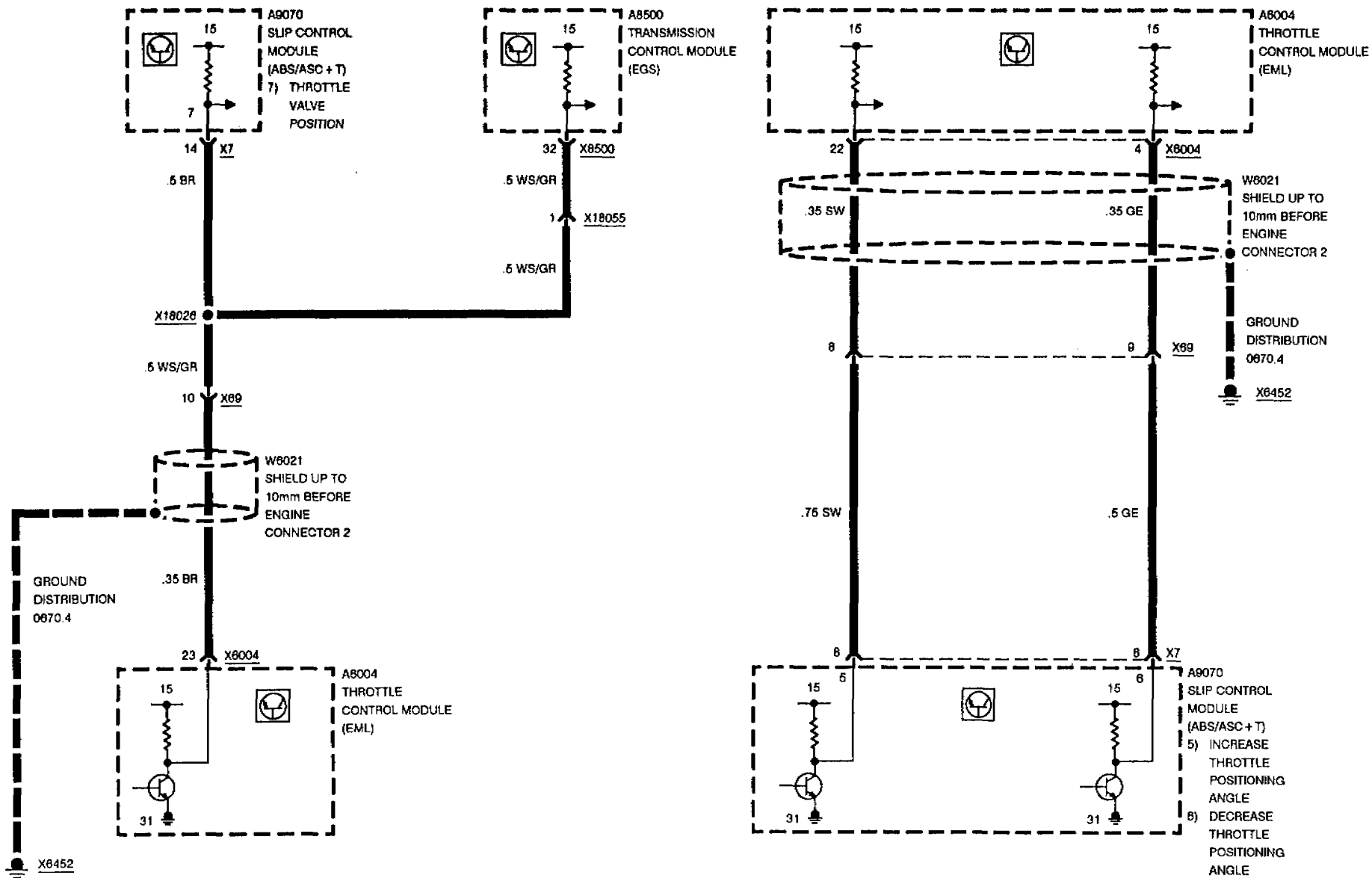
ELECTRONIC THROTTLE CONTROL (EML 12-CYLINDER)





ELECTRONIC THROTTLE CONTROL (EML 12-CYLINDER)

ASC + T INTERFACE

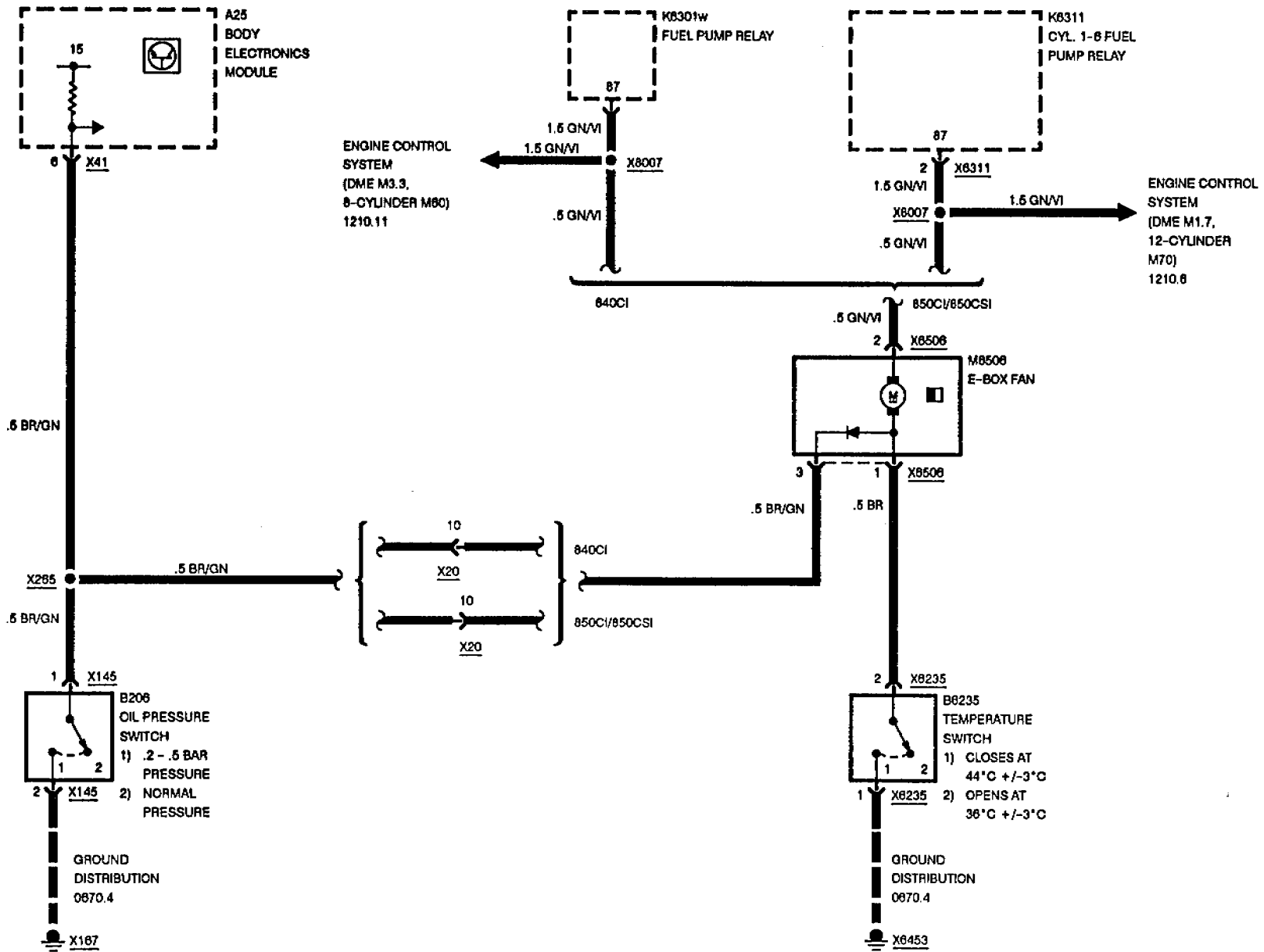


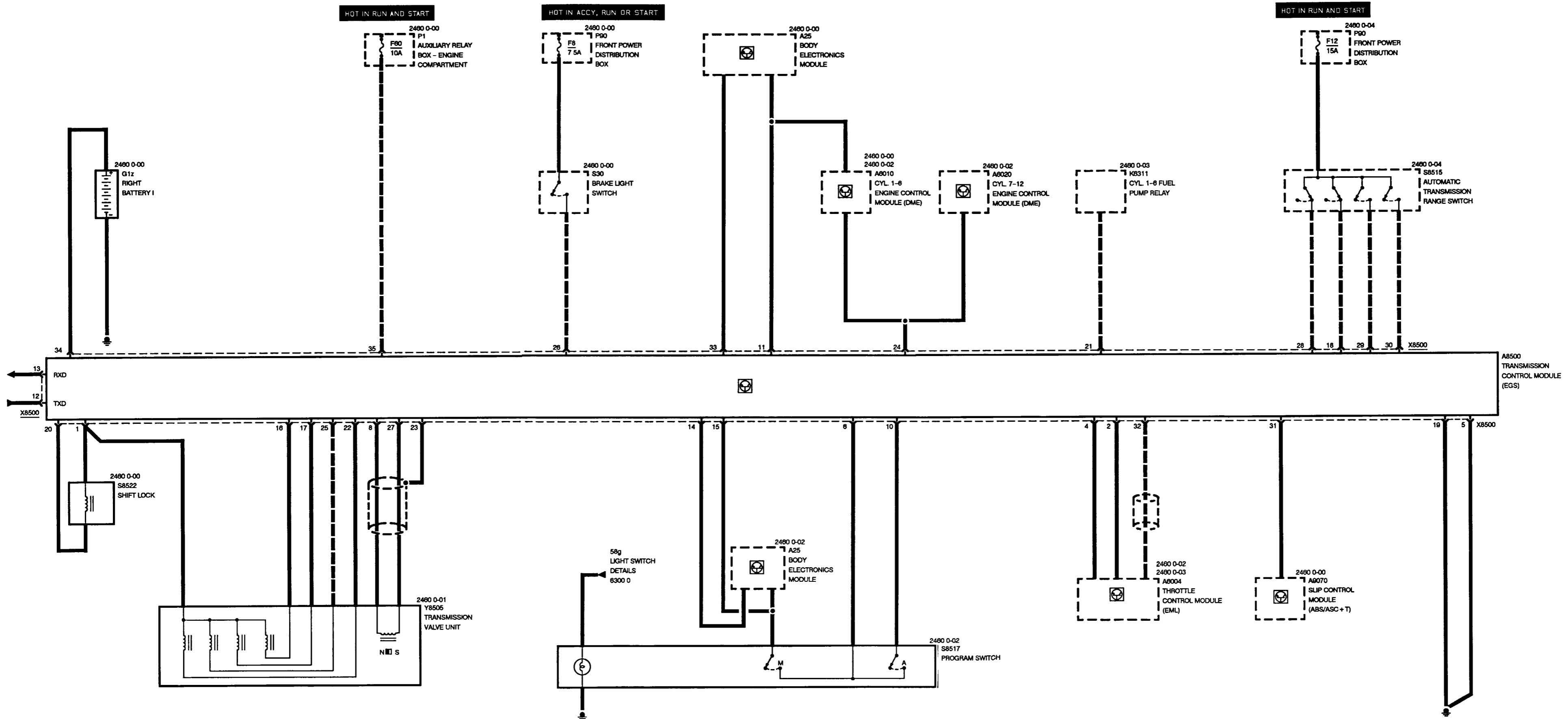
BMW
8

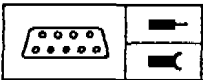
1290.0



E-BOX FAN





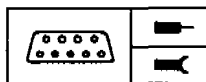


Pin Assignments

X8500

Pin	Type	Description/Function	Connection
1	A	Voltage supply, solenoid valves and pressure regulator	Transmission gearshift, shiftlock
2	E	Kick-Down	Electronic throttle control module (EML)
3		Not used	
4	E/A	S-Program identifier	Electronic throttle control module (EML)
5	M	Ground	Ground point
6	M	Ground, program switch	Program switch
7		Not used	
8	E	Output speed (+)	Transmission gearshift
9		Not used	
10	E	A-program	Program switch
11	E	Injection signal (ti)	Body electronics module (EKM)
12	E/A	TxD diagnostic data link	Data link connector
13	E	RxD diagnostic data link	Data link connector
14	E/A		Body electronics module (EKM)
15	E/A	M-program	Program switch, Body electronics module (EKM)
16	A	Solenoid valve 1	Transmission gearshift
17	A	Solenoid valve 2	Transmission gearshift
18	E	Position switch L1	Automatic transmission range switch
19	M	Ground, pressure regulator and solenoid valves	Ground point
20	A	Unlock shift lever	Shift lock
21	E	Engine speed (TR signal)	Cyl. 1-6 fuel pump relay
22	A	Pressure regulator solenoid valve	Transmission gearshift
23	M	Speed sensor shield ground	Speed sensor shield
24	A	Engine intervention	Engine control modules (DME)
25	A	Torque converter clutch solenoid valve	Transmission gearshift
26	E	Brake pedal position	Brake light switch
27	E	Output speed (-)	Transmission gearshift
28	E	Position switch L2	Automatic transmission range switch

E = Input, A = Output, M = Ground



Pin Assignments

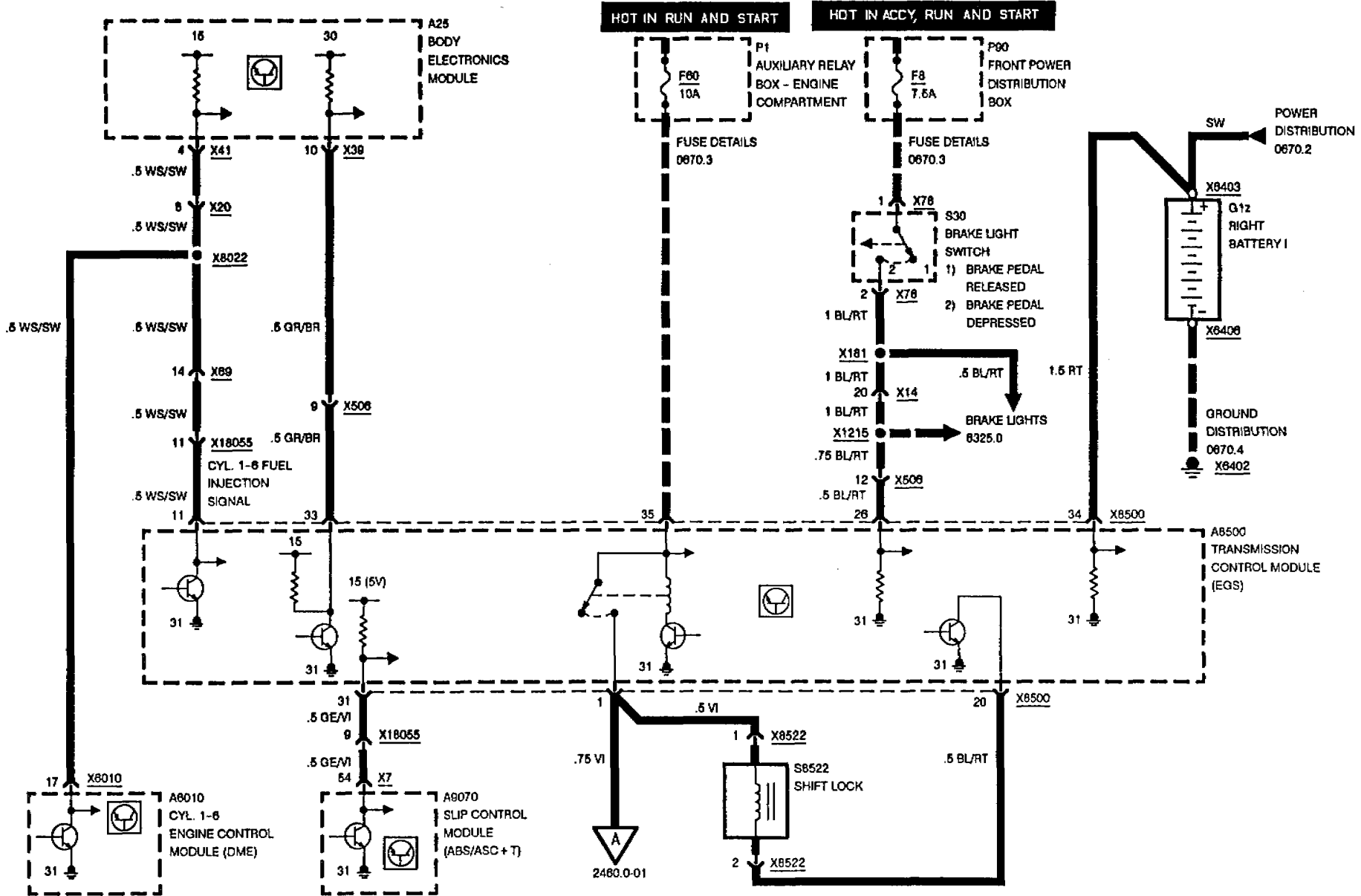
Pin	Type	Description/Function	Connection
29	E	Position switch L3	Automatic transmission range switch
30	E	Position switch L4	Automatic transmission range switch
31	E	ASC active	Slip control module (ASC + T)
32	E	Throttle position	Electronic throttle control module (EML)
33	A	Fault display	Body electronics module (EKM)
34	E	Battery voltage	Battery (+)
35	E	Voltage supply	Fuse F60

E = Input, A = Output, M = Ground

BMW
8

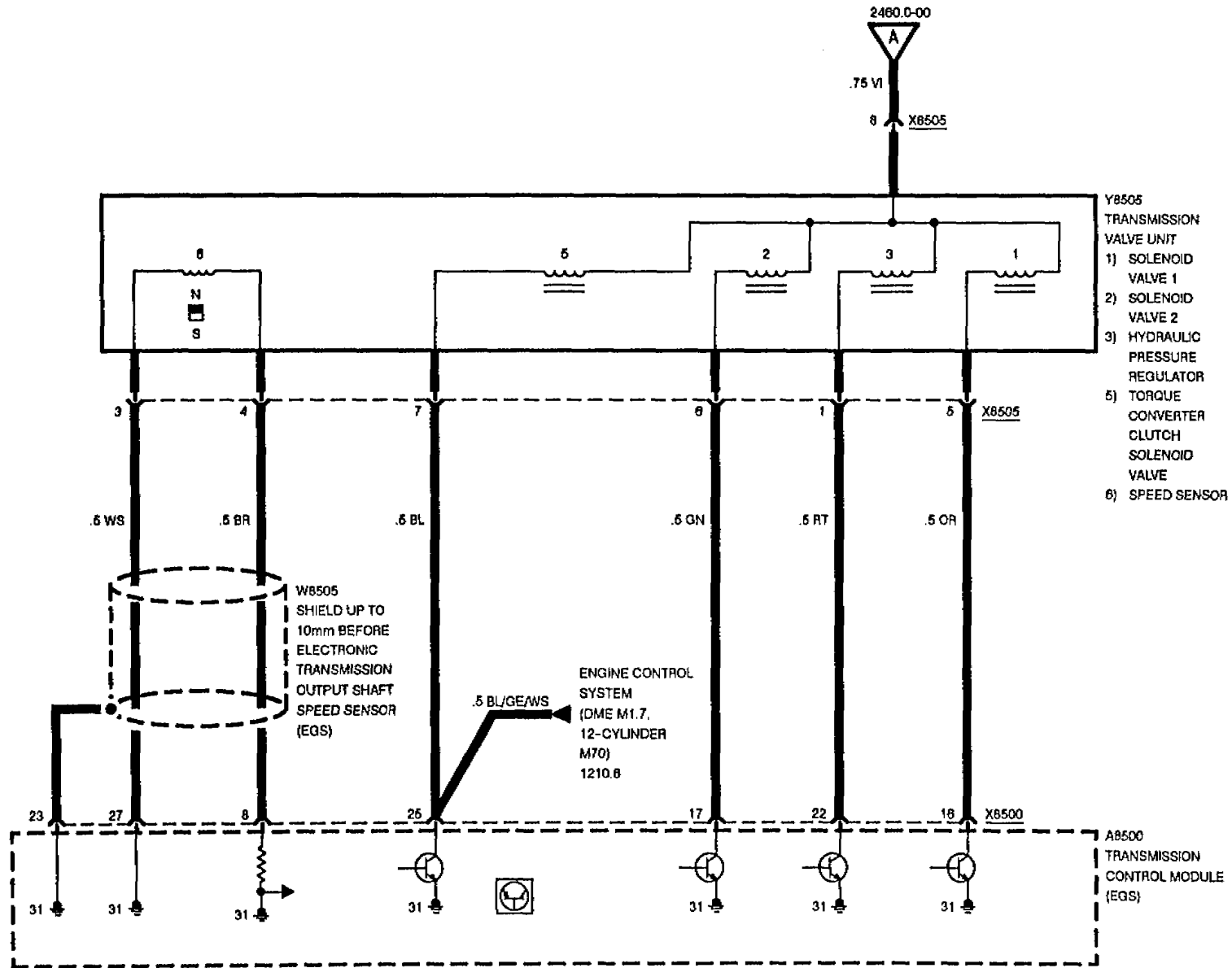
2460.0

ELECTRONIC TRANSMISSION CONTROL (EGS 4HP-24)



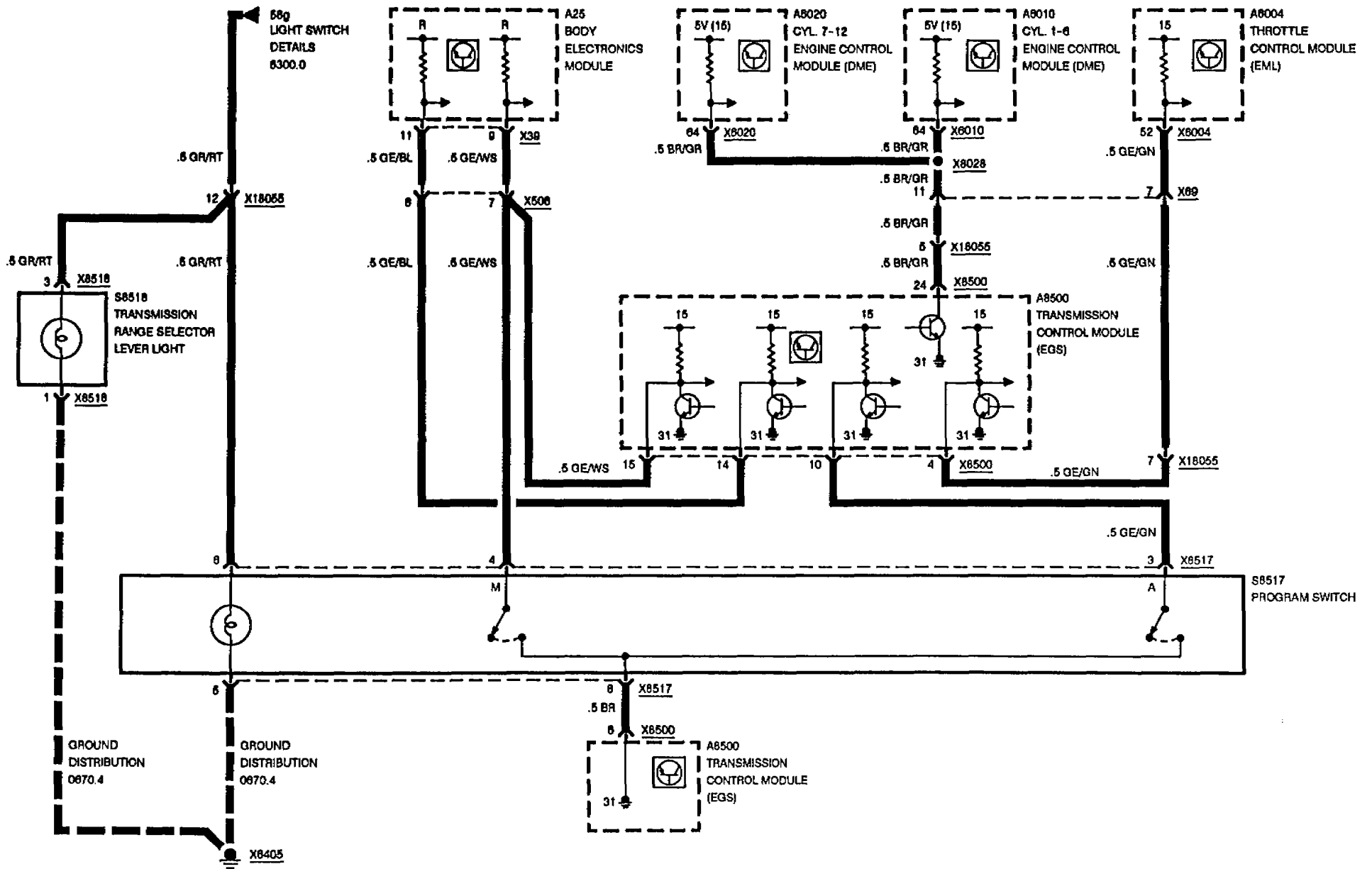


ELECTRONIC TRANSMISSION CONTROL (EGS 4HP-24)



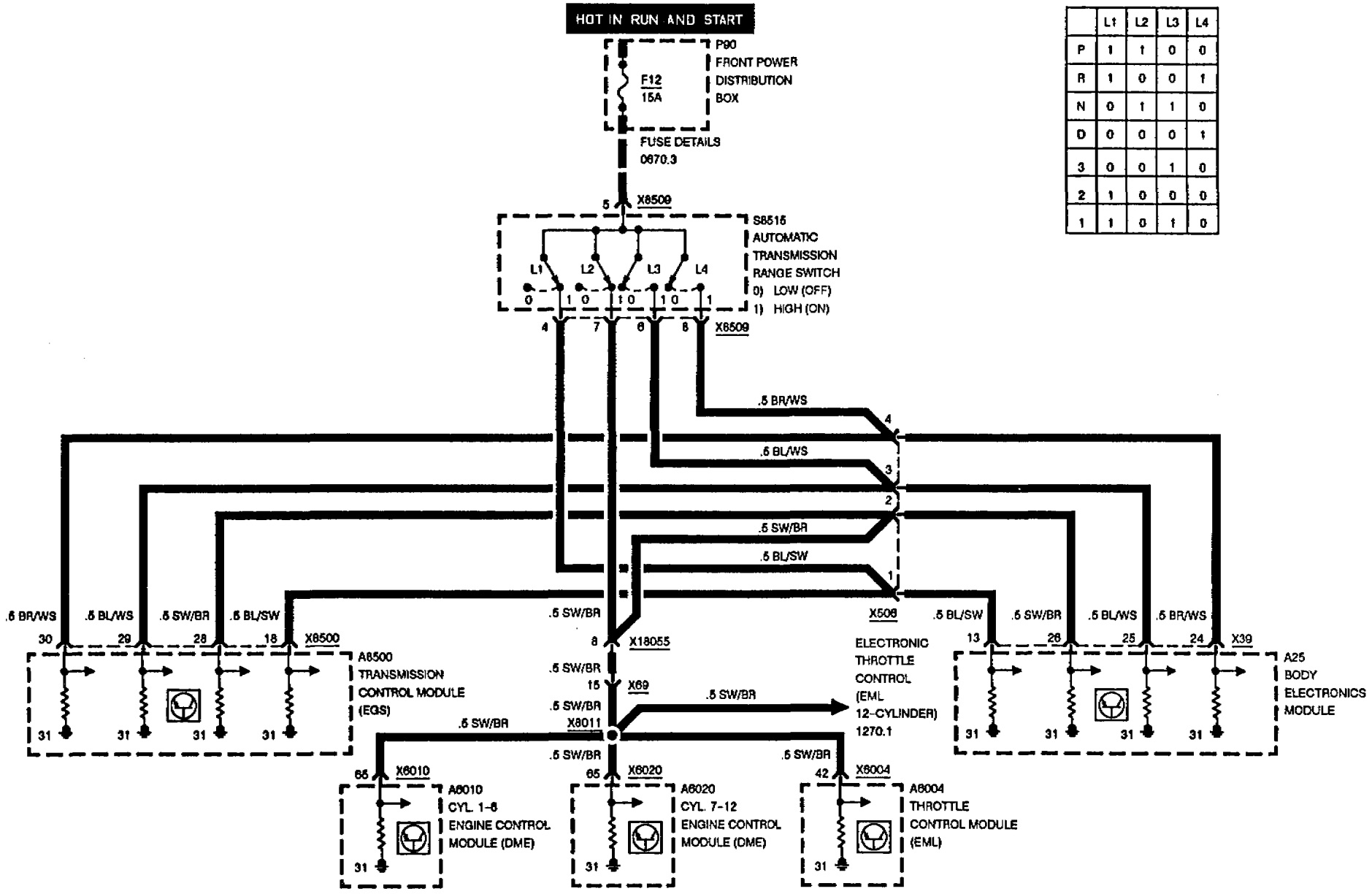


ELECTRONIC TRANSMISSION CONTROL (EGS 4HP-24)

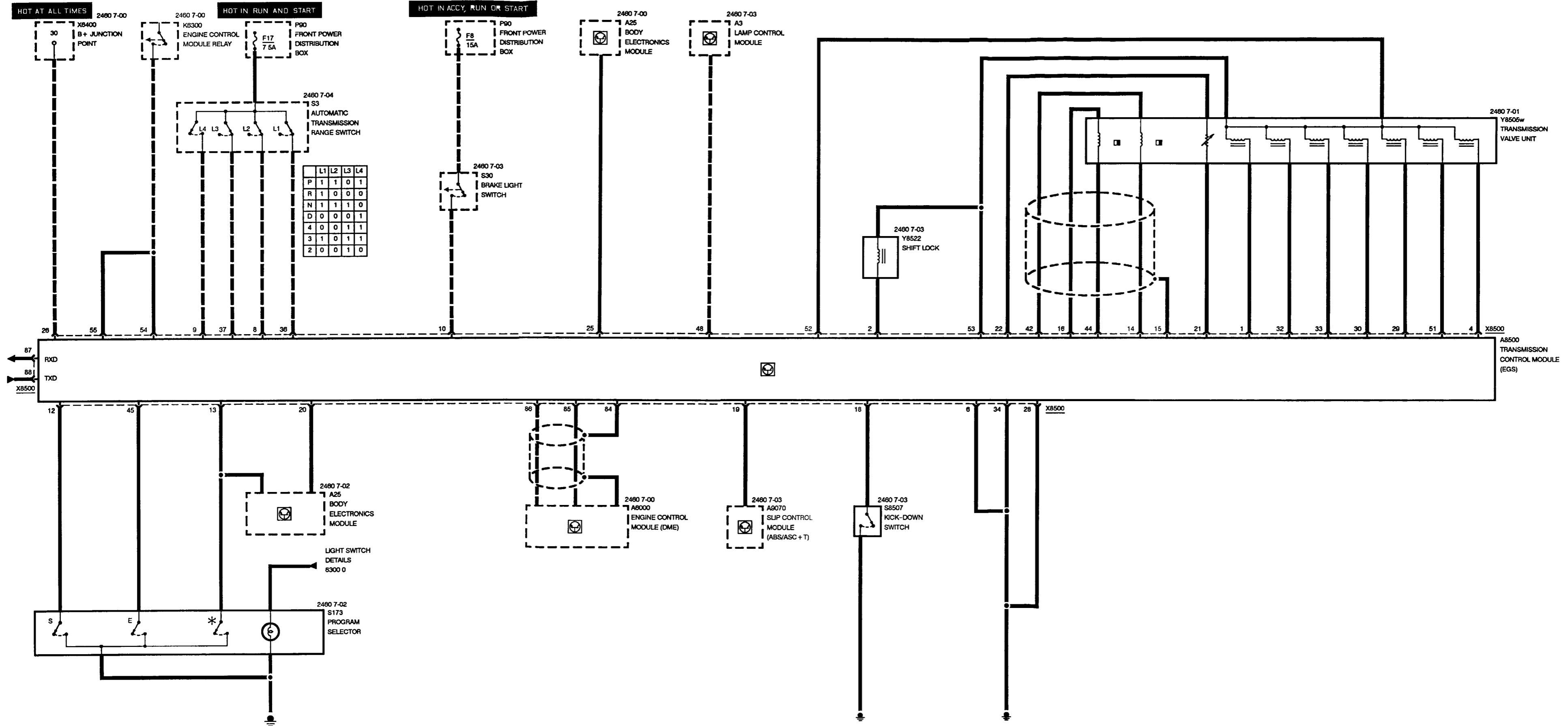


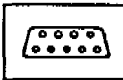


ELECTRONIC TRANSMISSION CONTROL (EGS 4HP-24)



	L1	L2	L3	L4
P	1	1	0	0
R	1	0	0	1
N	0	1	1	0
D	0	0	0	1
3	0	0	1	0
2	1	0	0	0
1	1	0	1	0



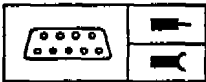


Pin Assignments

X8500

Pin	Type	Description/Function	Connection
1	A	Pressure regulator 2	Transmission gear shift unit, Y8505w
2	A	Shift lock solenoid	Shift lock solenoid, Y19
3		Not used	
4	A	Pressure regulator 4	Transmission gear shift unit, Y8505w
5	A	Pressure regulator 1	Transmission gear shift unit, Y8505w
6	M	Ground	Ground point
7		Not used	
8	E	Position switch L2	Automatic transmission range switch, S3
9	E	Position switch L4	Automatic transmission range switch, S3
10	E	Brake light	Brake light switch, S30
11		Not used	
12	E	Program S	Program switch, S173
13	E/A	Program W	Program switch, S173
14	E	Maximum speed sensor n-ab (-)	Transmission gear shift unit, Y8505w
15	M	Shield	Shield to transmission gear shift unit
16	E	Speed sensor turbine n-T (+)	Transmission gear shift unit, Y8505w
17		Not used	
18	E	Kick down	Kick down switch, S8507
19	E	ASC-Signal	Slip control module (ABS/ASC + T), A9070
20	A	Program E	Body electronics module, A25
21	M	Ground, oil temperature sensor (-)	Transmission gear shift unit, Y8505w
22	E	Oil temperature sensor (+)	Transmission gear shift unit, Y8505w
23	M	Shield Speed Sensor	Ground point
24		Not used	
25	A	Fault display	Body electronics module, A25
26	E	Plus supply (terminal 30)	B+ junction point, X6400
27		Not used	
28	M	Ground (electronic)	Ground point
29	A	Pressure regulator 3	Transmission gear shift unit, Y8505w
30	A	Solenoid valve 1	Transmission gear shift unit, Y8505w

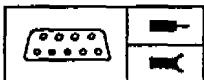
E = Input, A = Output, M = Ground



Pin Assignments

Pin	Type	Description/Function	Connection
31		Not used	
32	A	Solenoid valve 3	Transmission gear shift unit, Y8505w
33	A	Solenoid valve 2	Transmission gear shift unit, Y8505w
34	M	Ground	Ground point
35		Not used	
36	E	Position switch L1	Transmission range switch, S3
37	E	Position switch L3	Transmission range switch, S3
38		Not used	
39		Not used	
40		Not used	
41		Not used	
42	E	Output speed n-ab (+)	Transmission valve unit, Y8505w
43		Not used	
44	E	Speed sensor turbine n-T (-)	Transmission gear shift unit, Y8505w
45	E	Program E	Program switch, S173
46		Not used	
47		Not used	
48	E	Brake test	Brake test switch, S30
49		Not used	
50		Not used	
51	A	Pressure regulator 5	Transmission gear shift unit, Y8505w
52	A	Plus supply pressure regulator 3/4/5	Transmission gear shift unit, Y8505w
53	A	Plus supply DR 1/2-MV 1/2/3	Transmission gear shift unit, Y8505w
54	A	Plus supply (terminal 15)	Engine control module relay
55	A	Plus supply (terminal 15)	Engine control module relay
56		Not used	
57		Not used	
58		Not used	
59		Not used	
60		Not used	
61		Not used	
62		Not used	

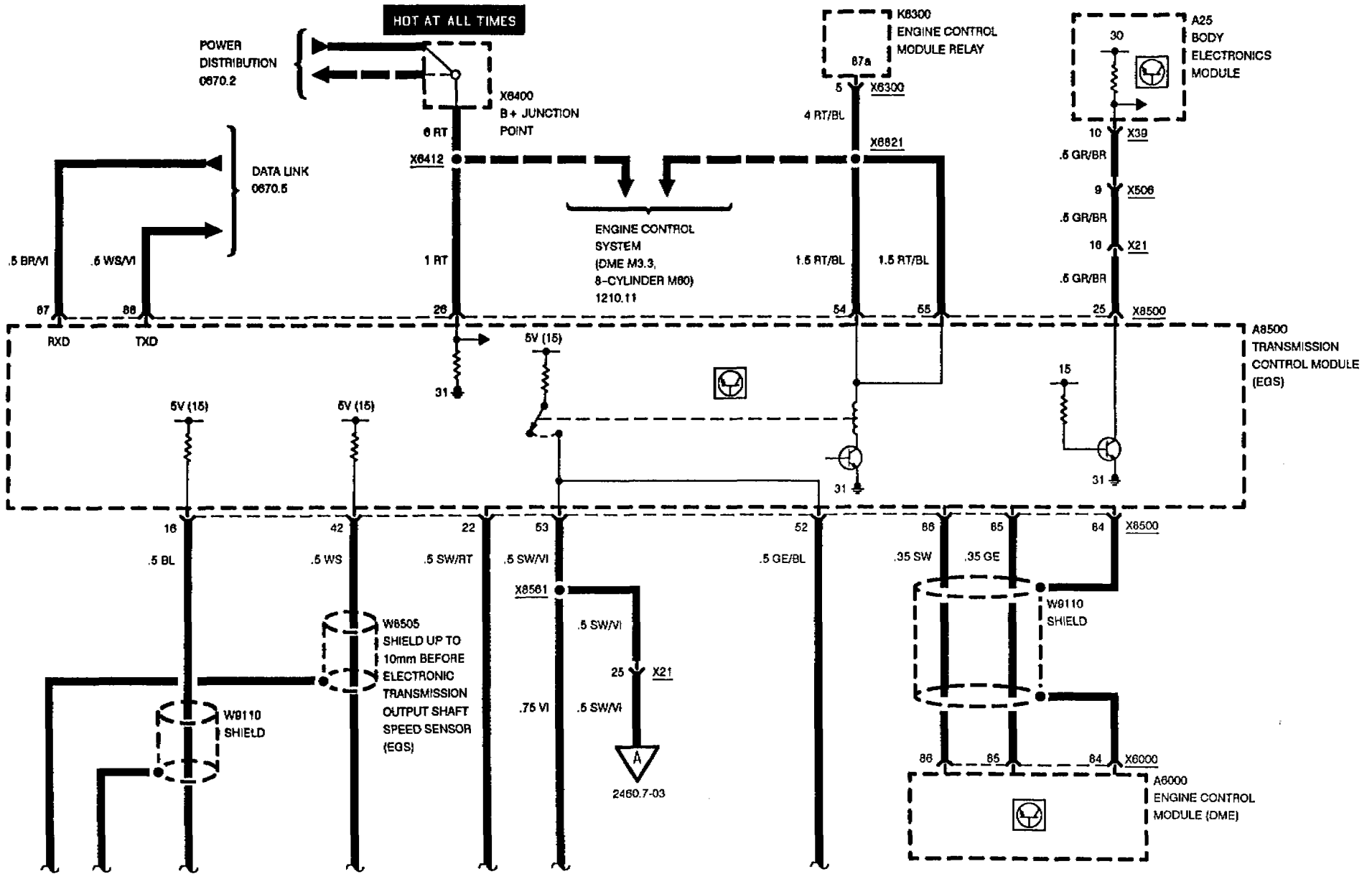
E = Input, A = Output, M = Ground



Pin Assignments

Pin	Type	Description/Function	Connection
63		Not used	
64		Not used	
65		Not used	
66		Not used	
67		Not used	
68		Not used	
69		Not used	
70		Not used	
71		Not used	
72		Not used	
73		Not used	
74		Not used	
75		Not used	
76		Not used	
77		Not used	
78		Not used	
79		Not used	
80		Not used	
81		Not used	
82		Not used	
83		Not used	
84	M	Ground shield	Engine control module, A6000
85	E/A	CAN-L	Engine control module, A6000
86	E/A	CAN-H	Engine control module, A6000
87	E	RxD	Data link connector, RxD
88	E/A	TxD	Data link connector, TxD

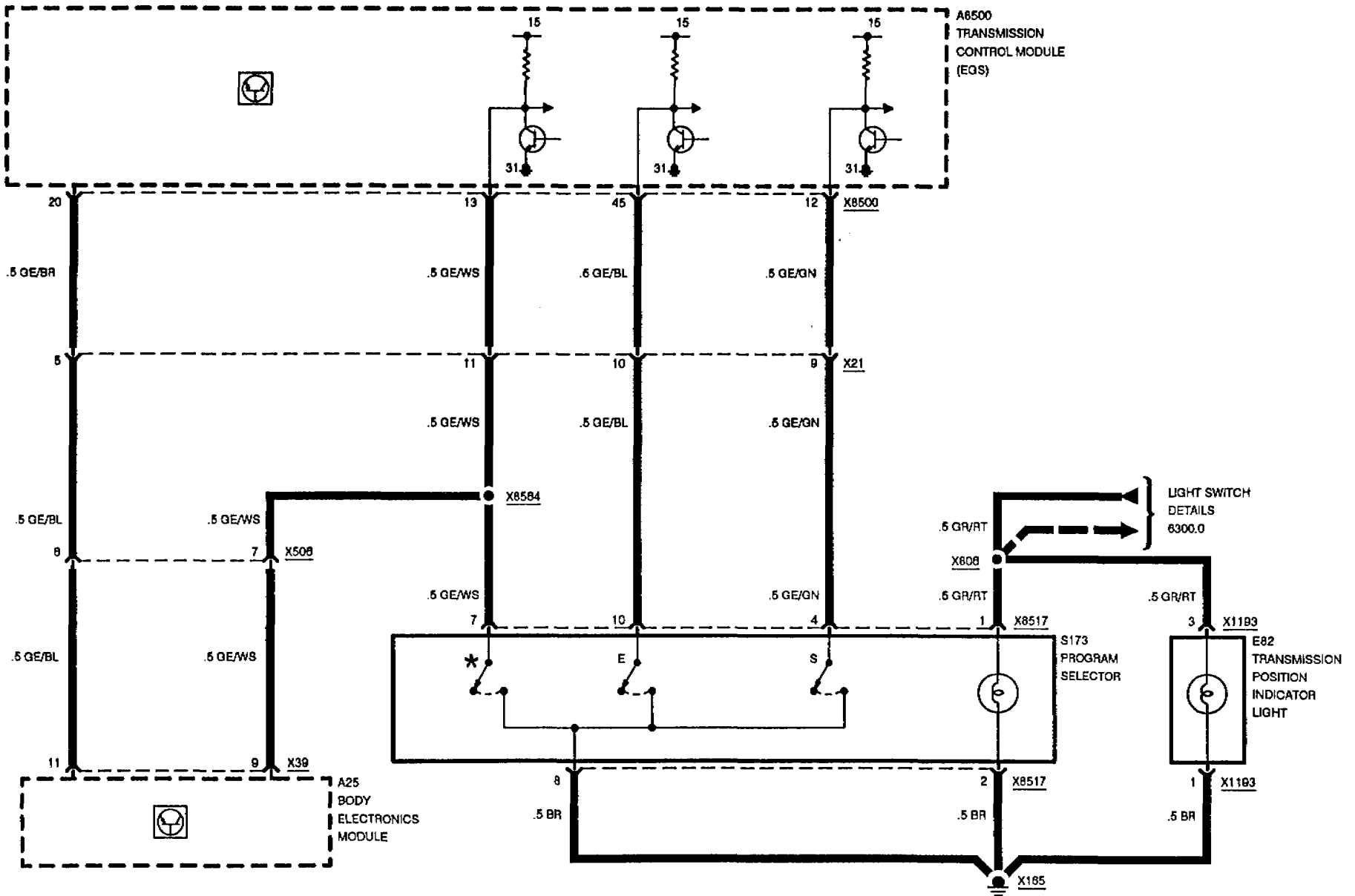
E = Input, A = Output, M = Ground





ELECTRONIC TRANSMISSION CONTROL (EGS: GS 9.20/ A5S 560Z)

840CI

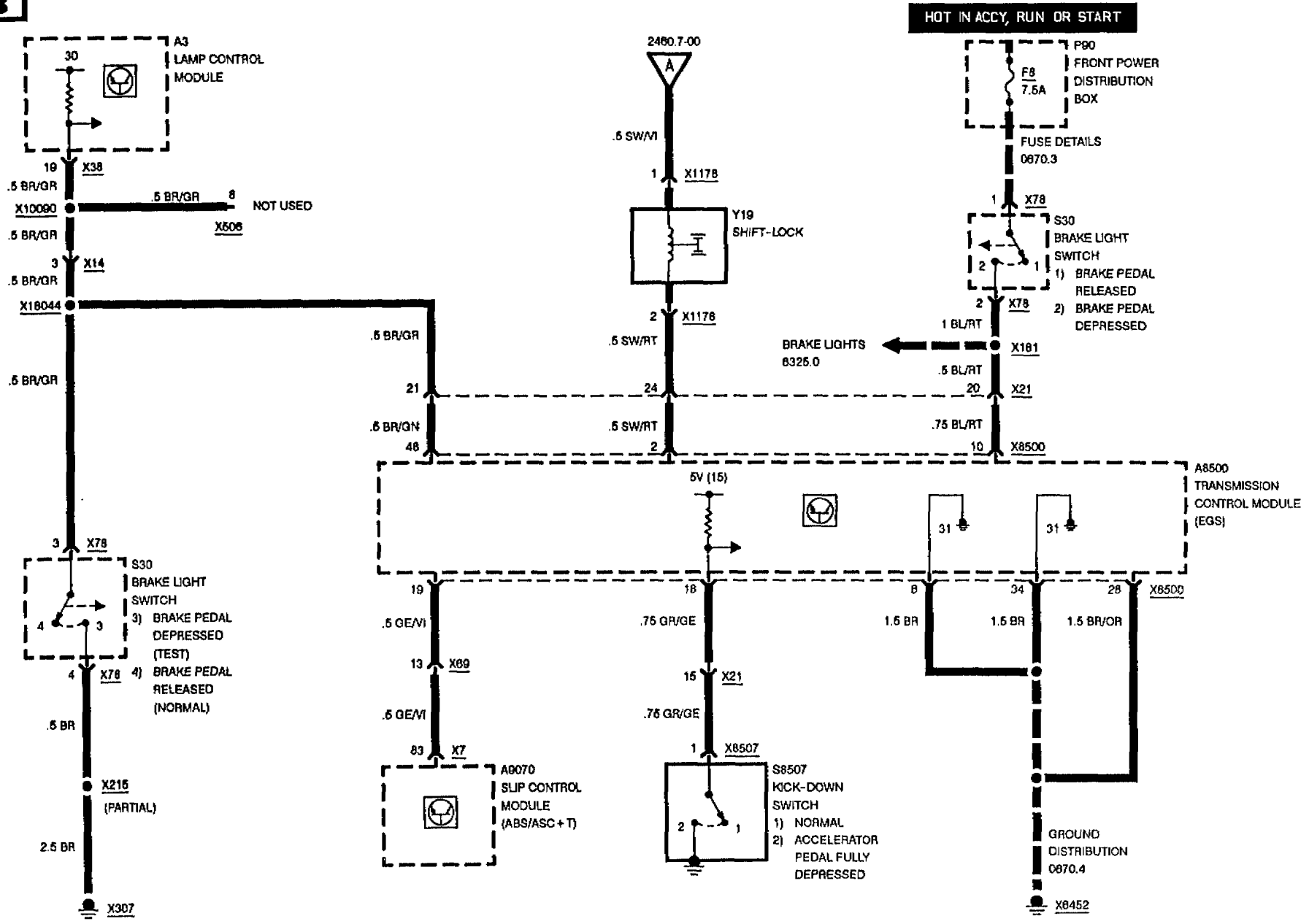


05/94 ————— 2460.7-02 ————— 1995



ELECTRONIC TRANSMISSION CONTROL (EGS: GS 9.20/ A5S 560Z)

840Ci



12/94

2460.7-03

1994

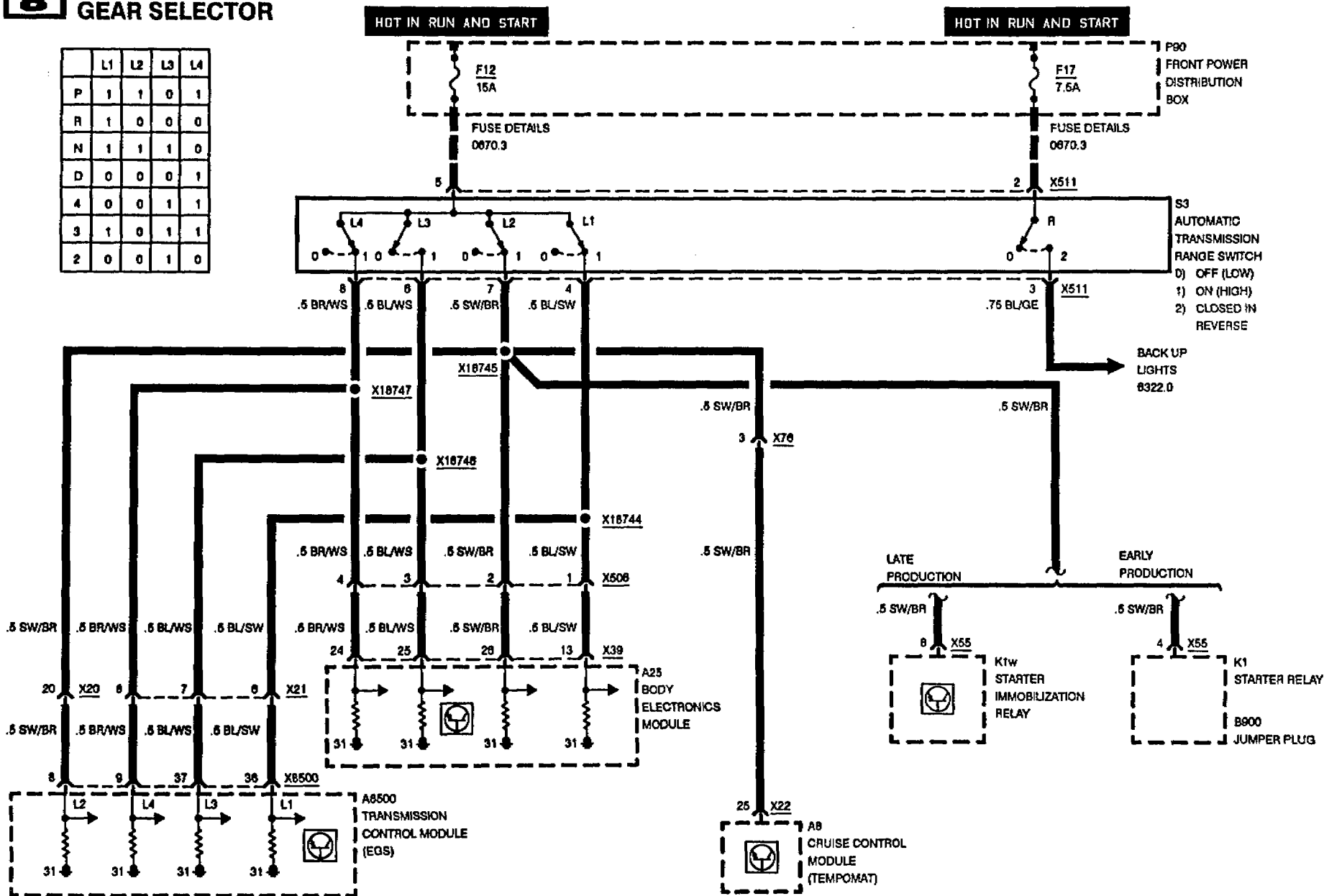


ELECTRONIC TRANSMISSION CONTROL (EGS: GS 9.20/ A5S 560Z)

840CI

GEAR SELECTOR

	L1	L2	L3	L4
P	1	1	0	1
R	1	0	0	0
N	1	1	1	0
D	0	0	0	1
4	0	0	1	1
3	1	0	1	1
2	0	0	1	0



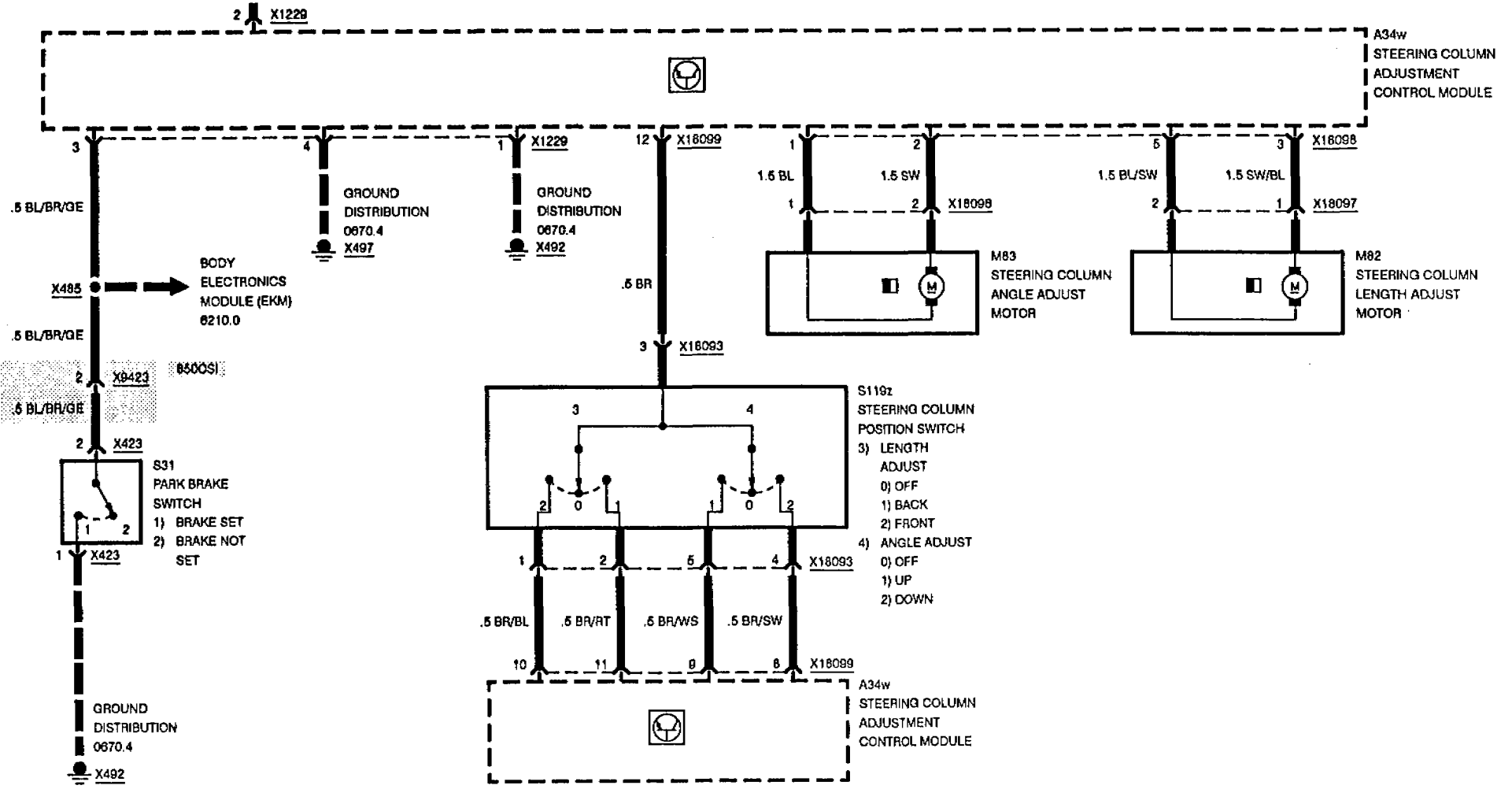
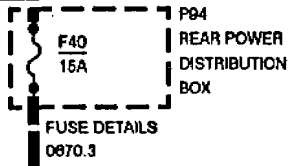
BMW
8

3231.0



ELECTRIC STEERING COLUMN ADJUSTMENT

HOT AT ALL TIMES

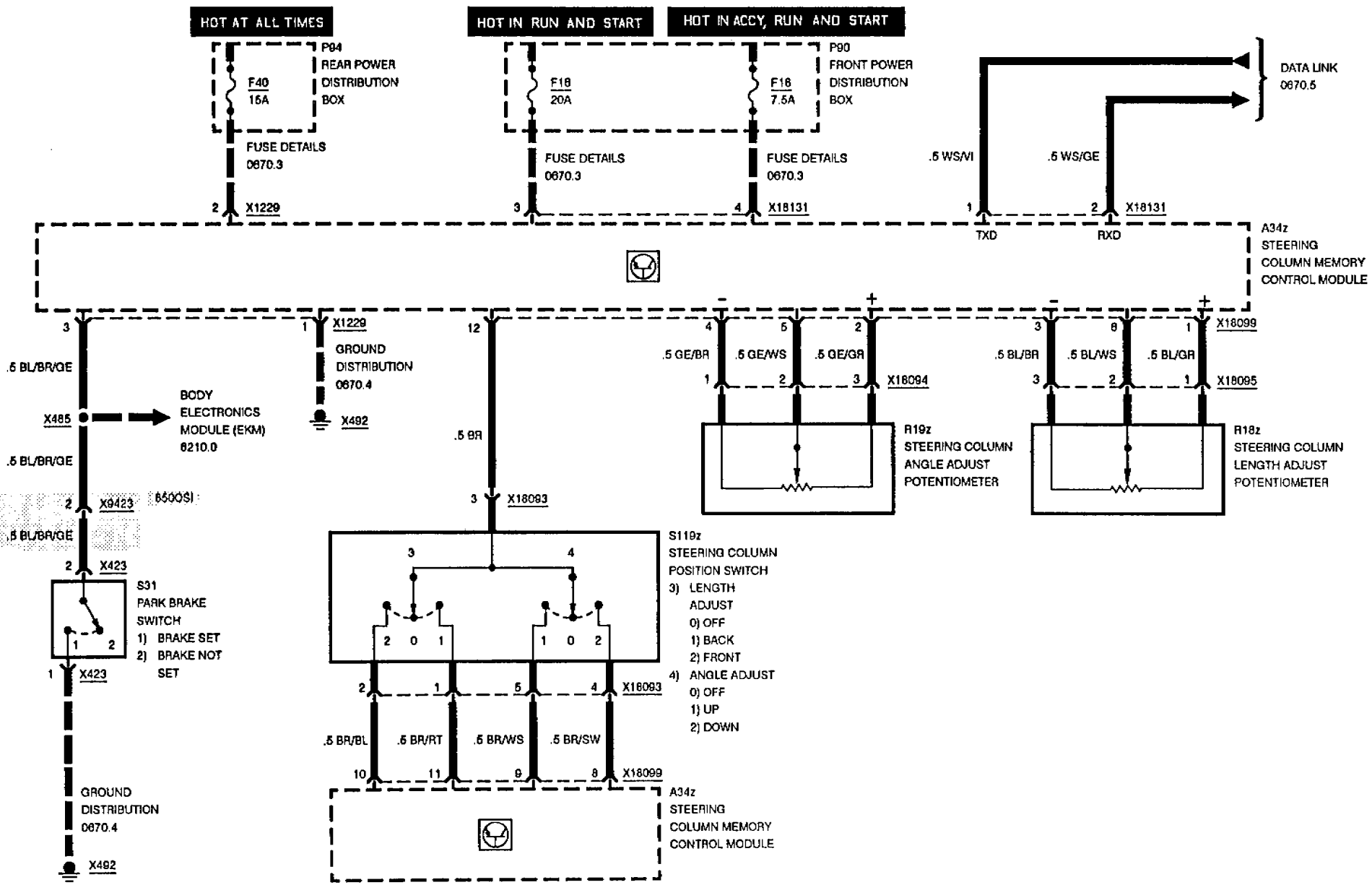




3231.1



STEERING COLUMN MEMORY (LSM)

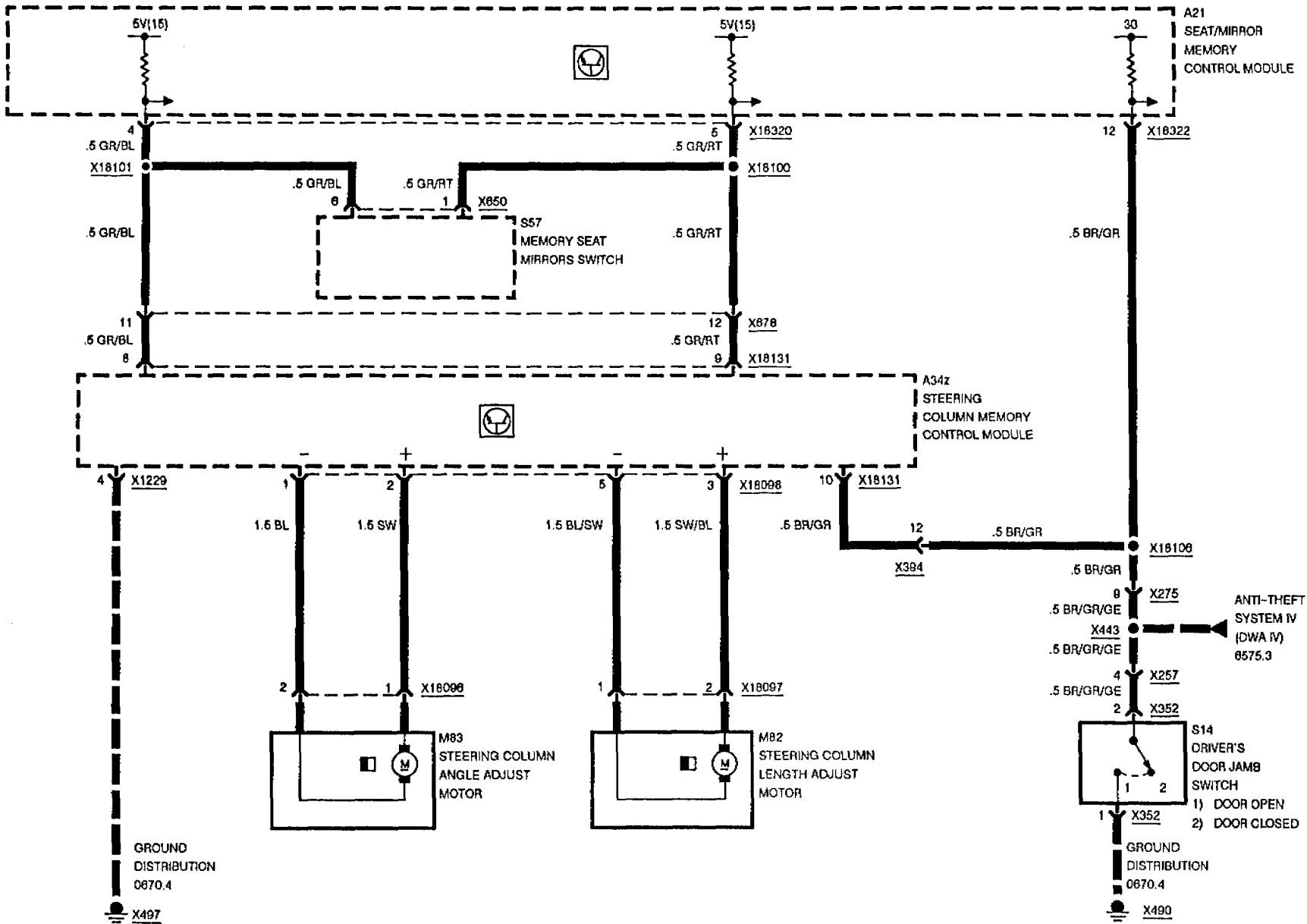


09/93

3231.1-00

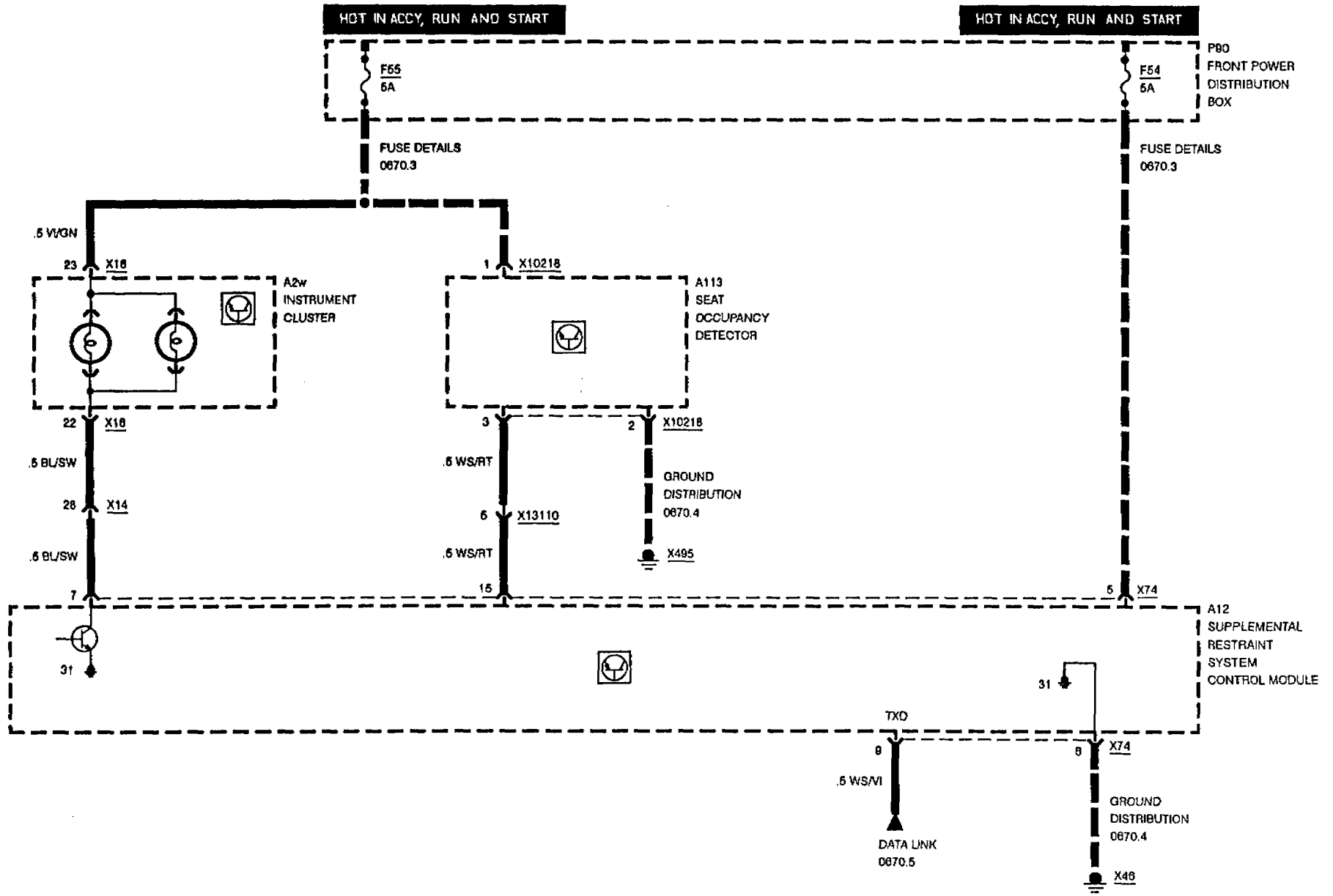
1994

STEERING COLUMN MEMORY (LSM)

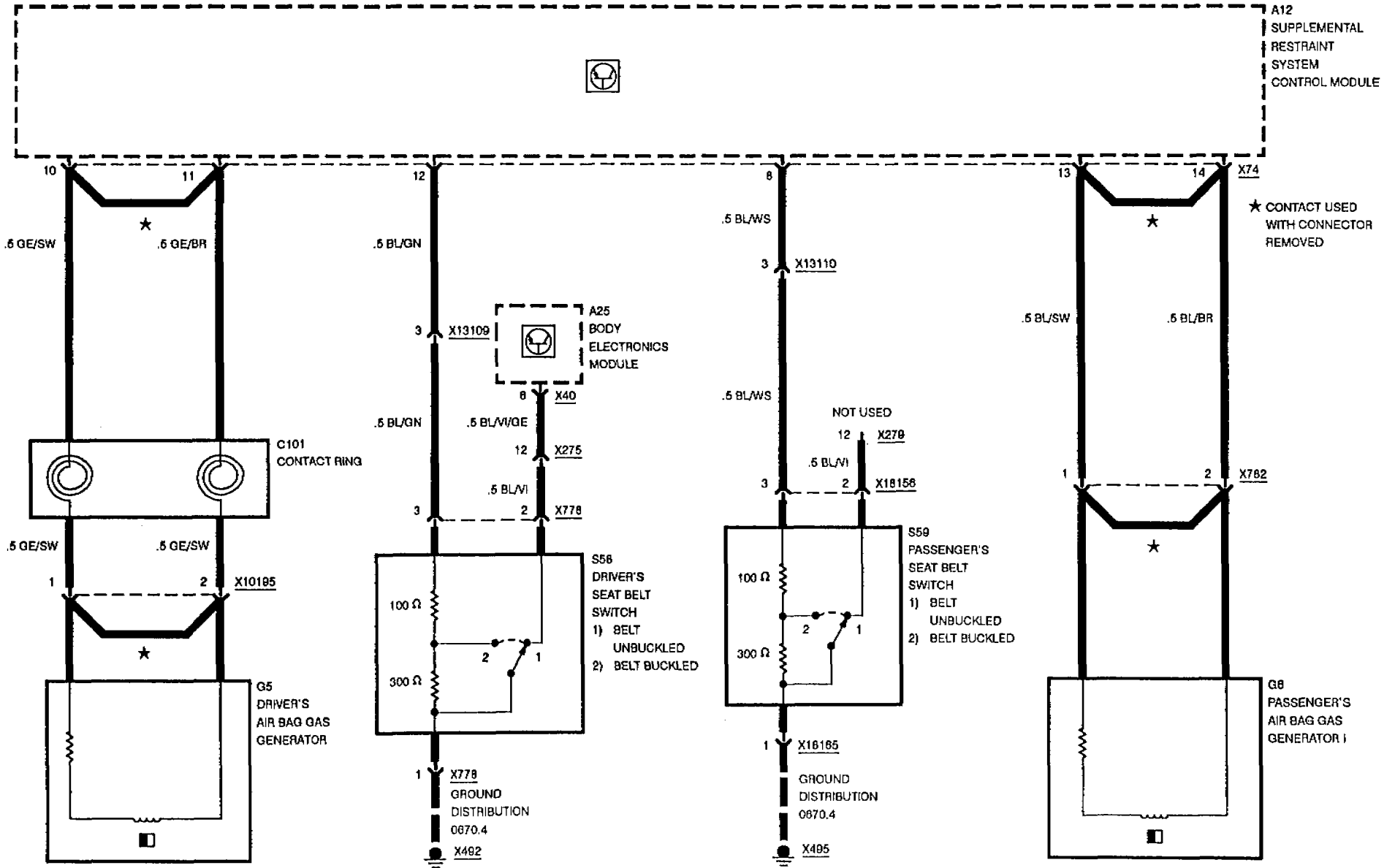


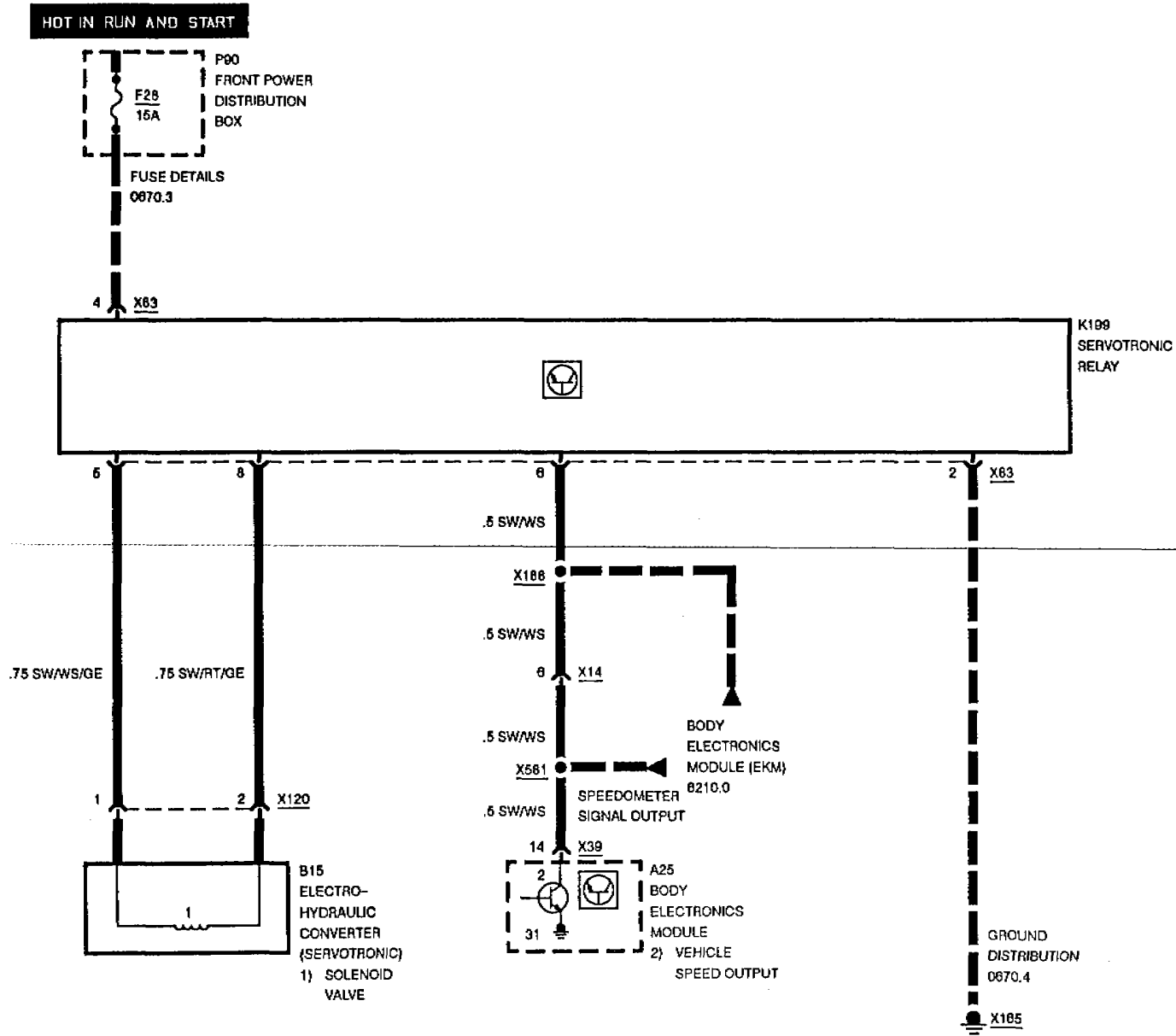


SUPPLEMENTAL RESTRAINT SYSTEM (AIR BAG)



SUPPLEMENTAL RESTRAINT SYSTEM (AIR BAG)



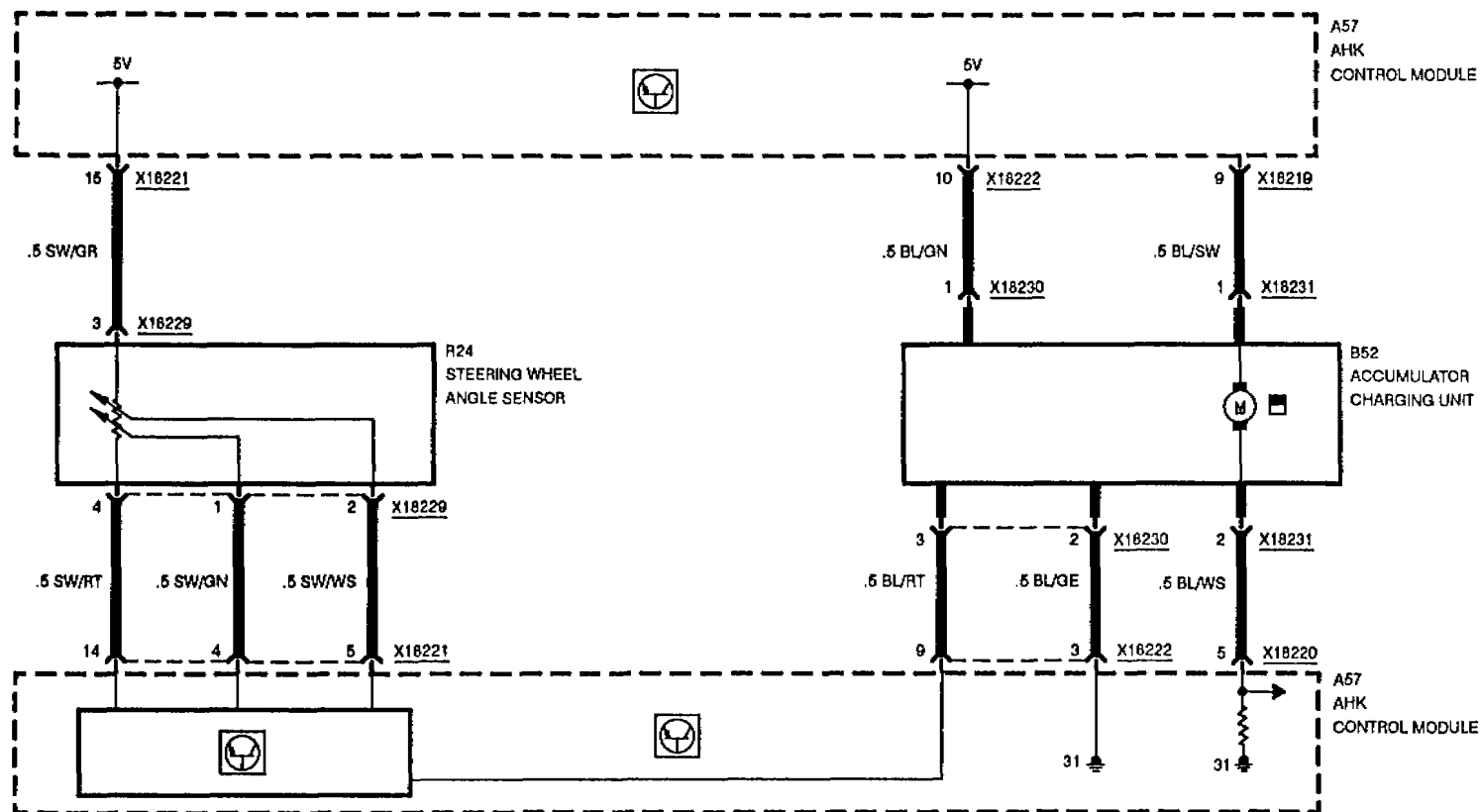


BMW
8

3334.0

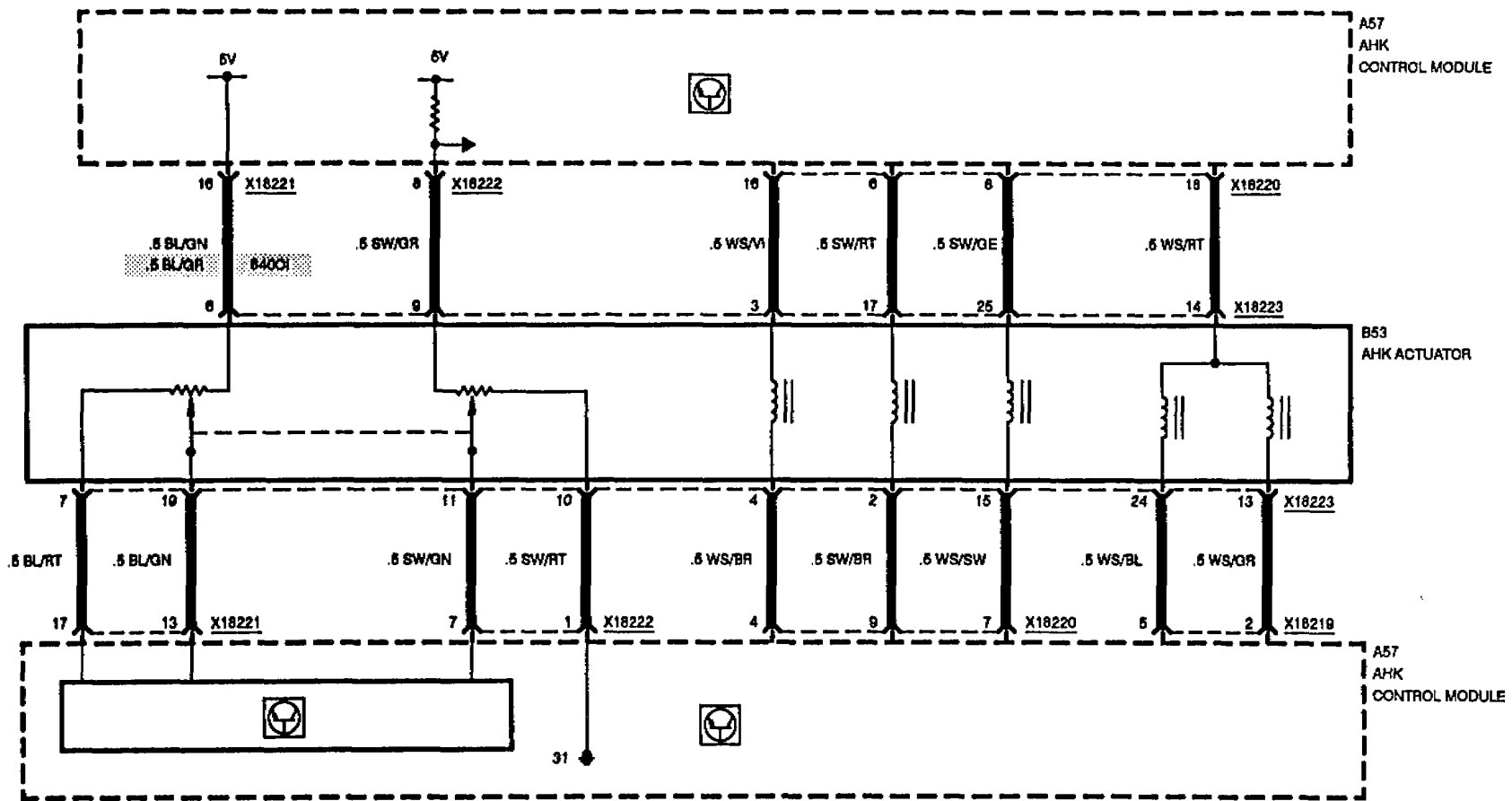


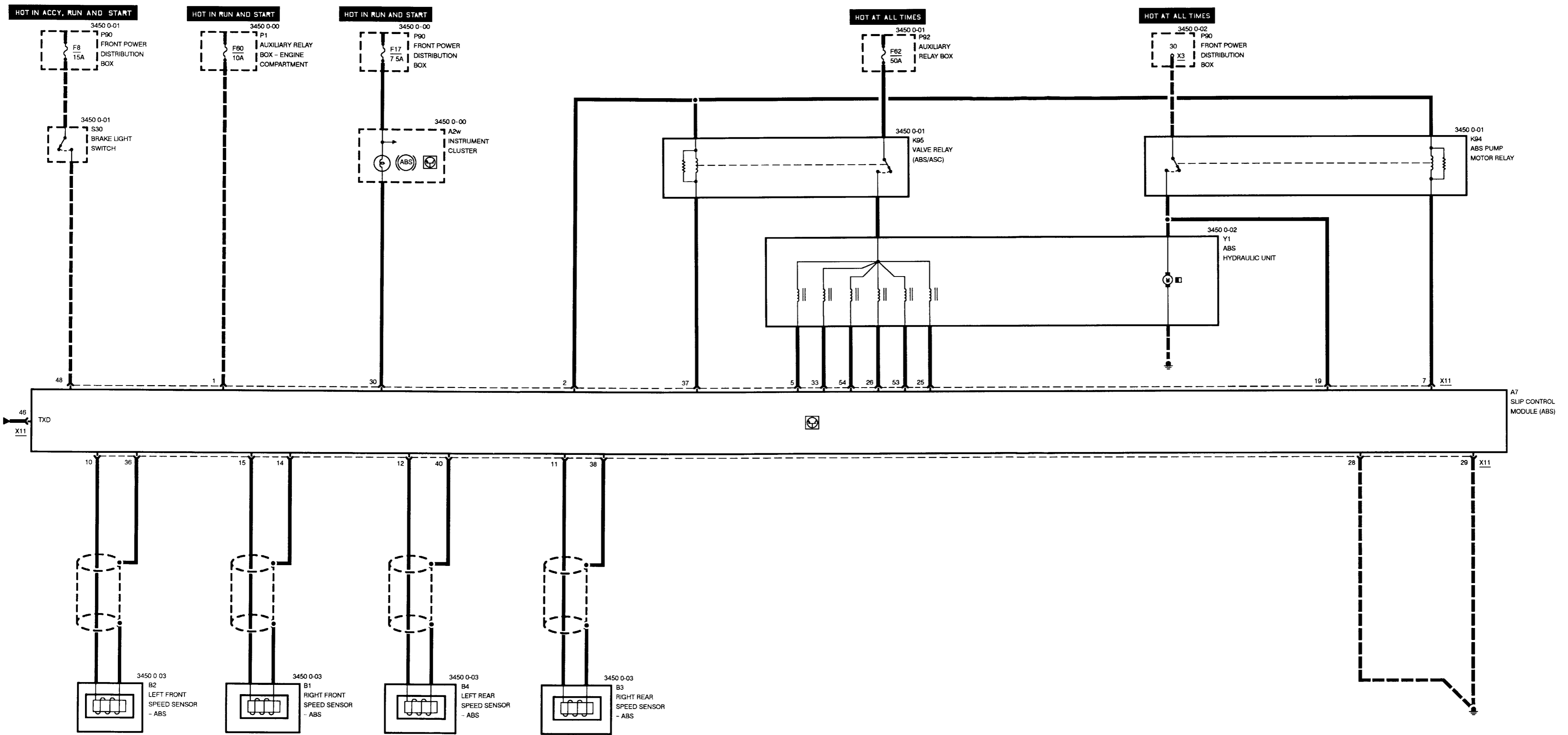
ACTIVE REAR AXLE KINEMATICS (AHK)

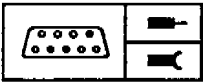




ACTIVE REAR AXLE KINEMATICS (AHK)





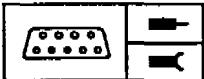


Pin Assignments

X11

Pin	Type	Description/Function	Connection
1	E	Battery voltage	Engine control module relay
2	A	ABS valve relay, ABS engine control relay	ABS valve relay, ABS engine control relay
3		Not used	
4		Not used	
5	A	Left front inlet relay	ABS hydraulic unit
6		Not used	
7	A	Voltage signal ABS engine control relay	Engine control relay (ABS)
8		Not used	
9		Not used	
10	A	Left front speed sensor ground	Left front speed sensor
11	E	Right rear speed sensor voltage signal	Right rear speed sensor (ABS)
12	A	Left rear speed sensor ground	Left rear speed sensor
13		Not used	
14	A	Right front speed sensor ground	Right front speed sensor
15	E	Right front speed sensor voltage	Right front speed sensor (ABS)
16		Not used	
17		Not used	
18		Not used	
19	E	Plug signal	ABS engine control relay
20		Not used	
21		Not used	
22		Not used	
23		Not used	
24		Not used	
25	A	Rear axle outlet valve	ABS hydraulic unit
26	A	Right front outlet valve	ABS hydraulic unit
27		Not used	ABS hydraulic unit
28	M	Ground	Ground point

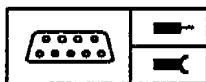
E = Input, A = Output, M = Ground



Pin Assignments

Pin	Type	Description/Function	Connection
29	M	Ground	Ground point
30	A	Voltage signal, ABS warning lamp	Instrument cluster
31		Not used	
32		Not used	
33	A	Left front outlet valve	ABS hydraulic unit
34		Not used	
35		Not used	
36	E	Left front speed sensor voltage signal	Left front speed sensor (ABS)
37	A	Voltage signal, ABS valve relay	ABS valve relay
38	A	Right rear speed sensor ground	Right rear speed sensor
39		Not used	
40	E	Left rear speed sensor voltage signal	Left rear speed sensor (ABS)
41		Not used	
42		Not used	
43		Not used	
44		Not used	
45		Not used	
46	E/A	TxD diagnostic data line	Data link connector
47		Not used	
48	E	Brake light signal	Brake light switch
49		Not used	
50		Not used	
51		Not used	
52		Not used	
53	A	Rear axle inlet valve	ABS hydraulic unit
54	A	Right front inlet valve	ABS hydraulic unit
55		Not used	
56		Not used	
57		Not used	
58		Not used	
59		Not used	
60		Not used	

E = Input, A = Output, M = Ground



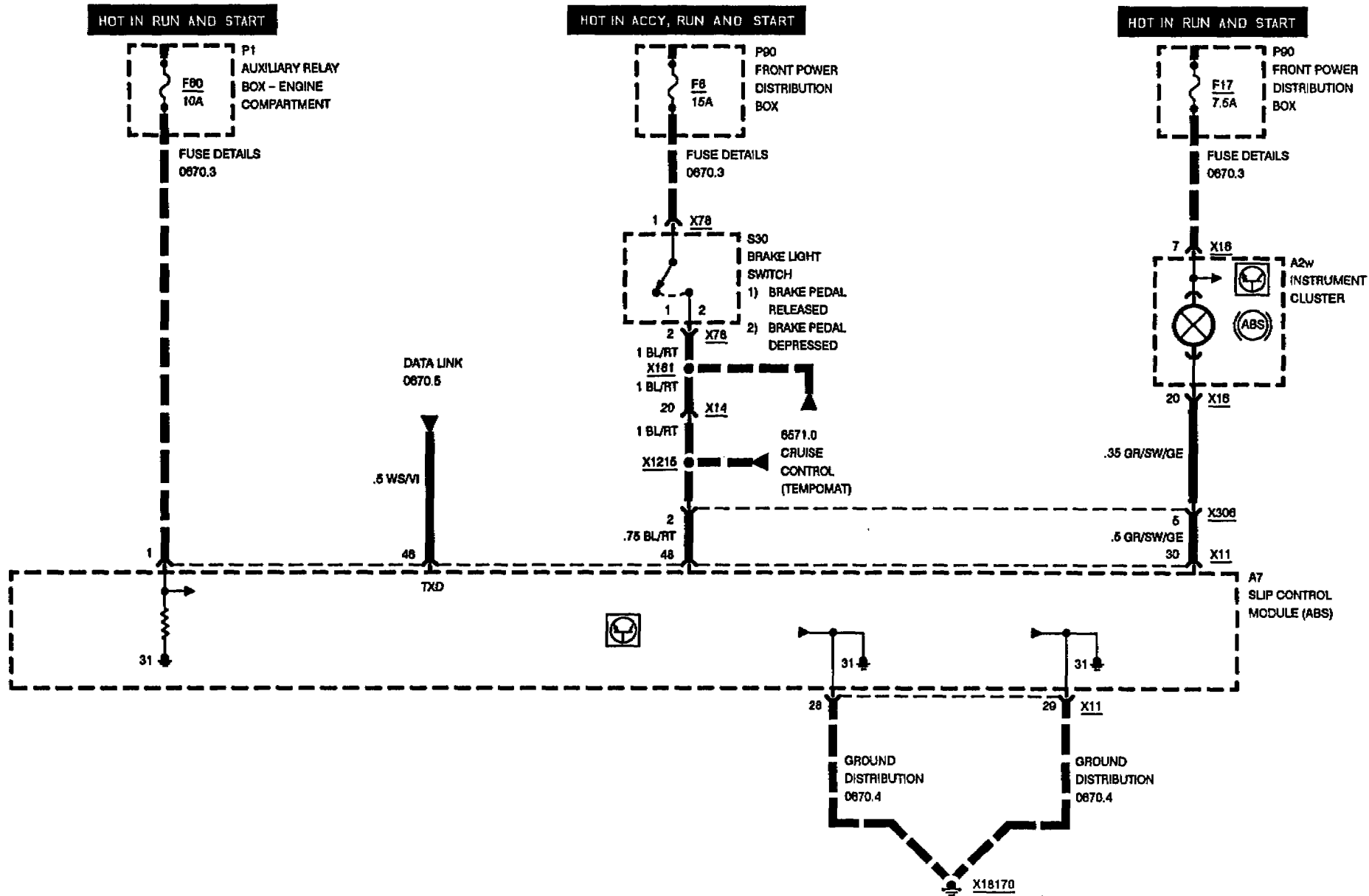
Pin Assignments

Pin	Type	Description/Function	Connection
61		Not used	
62		Not used	
63		Not used	
64		Not used	
65		Not used	
66		Not used	
67		Not used	
68		Not used	
69		Not used	
70		Not used	
71		Not used	
72		Not used	
73		Not used	
74		Not used	
75		Not used	
76		Not used	
77		Not used	
78		Not used	
79		Not used	
80		Not used	
81		Not used	
82		Not used	
83		Not used	
84		Not used	
85		Not used	
86		Not used	
87		Not used	
88		Not used	

E = Input, A = Output, M = Ground

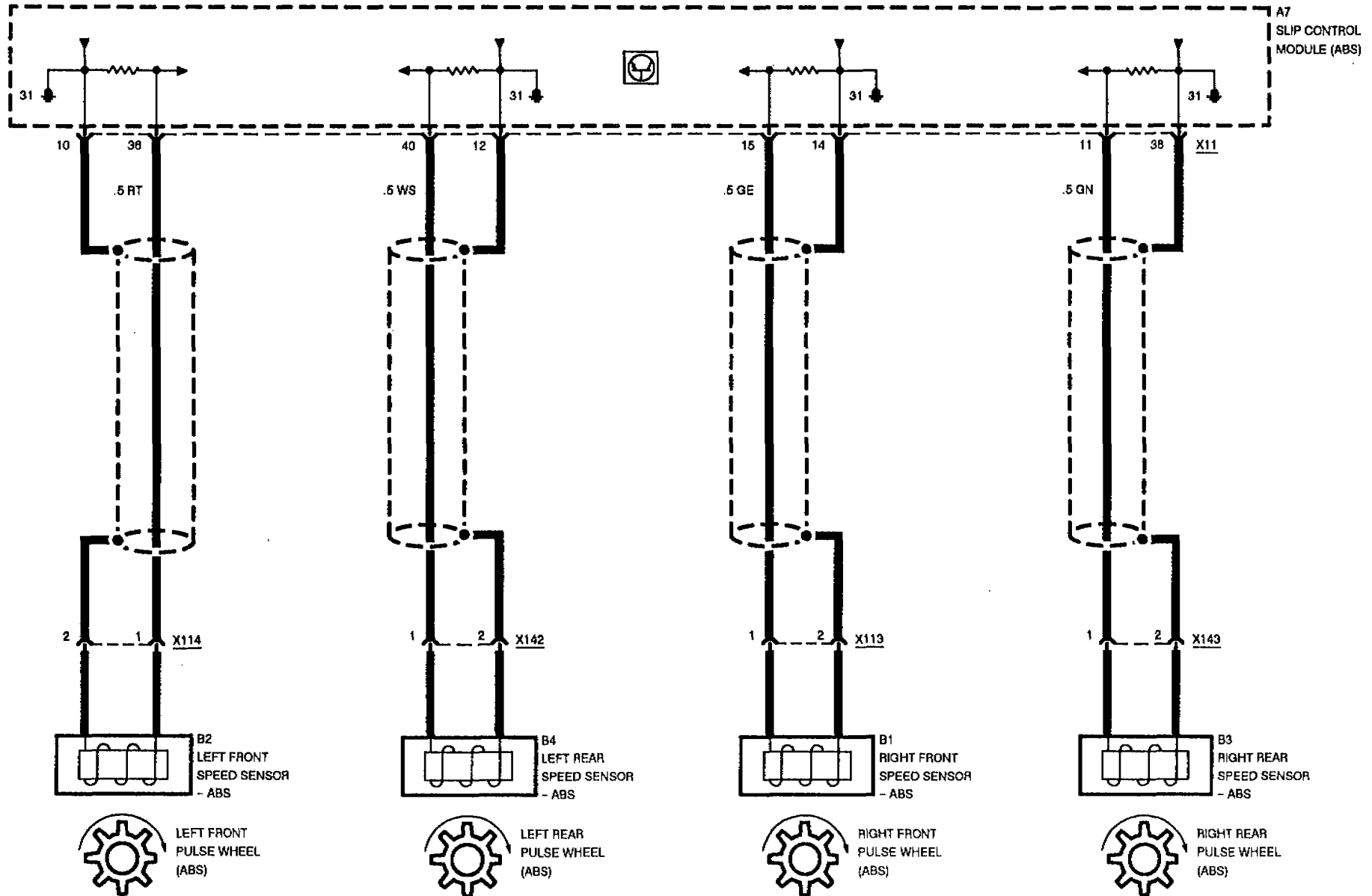


SLIP CONTROL (ABS)



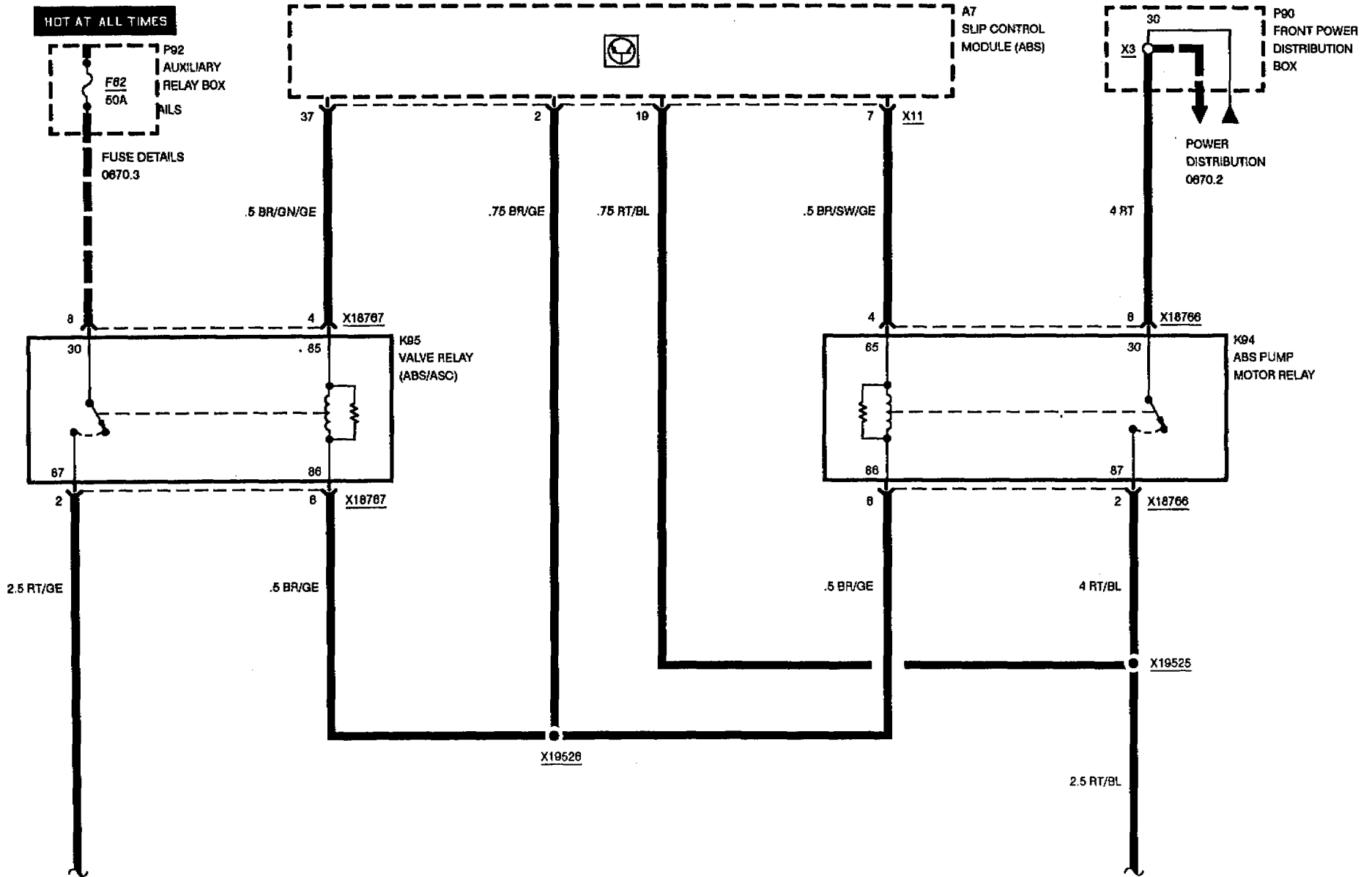


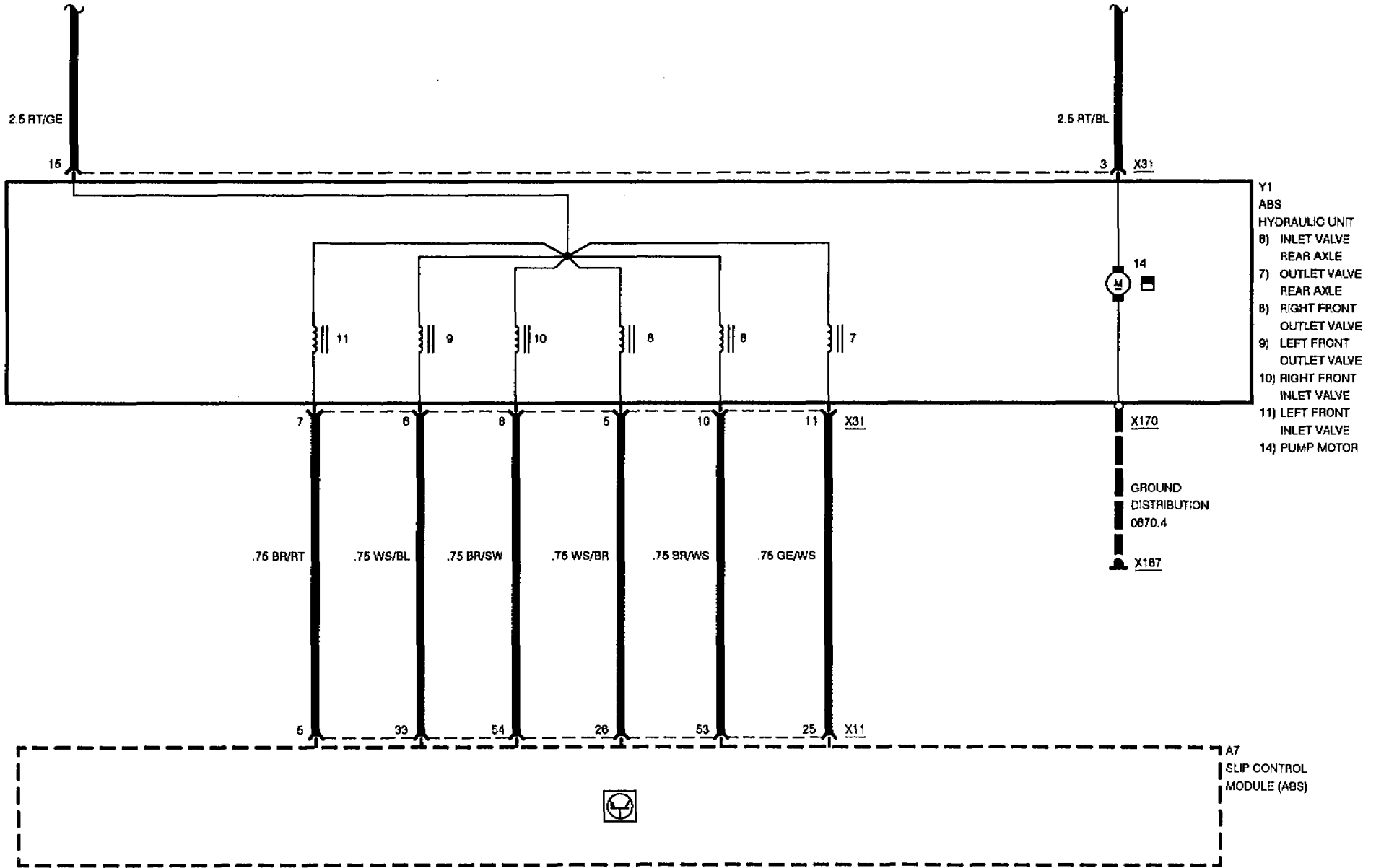
SLIP CONTROL (ABS)





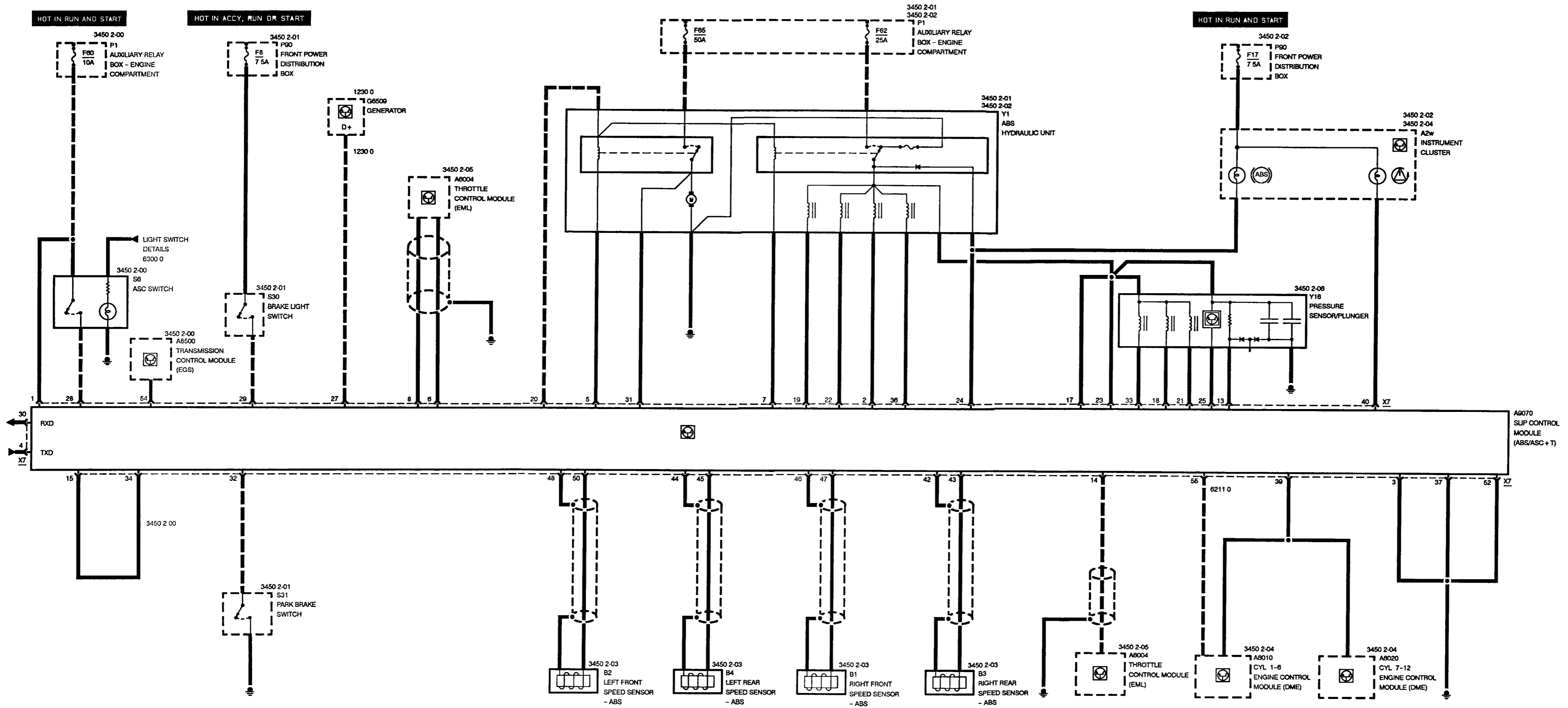
SLIP CONTROL (ABS)

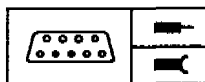






3450.0-04



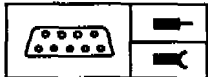


Pin Assignments

X7

Pin	Type	Description/Function	Connection
1	E	Terminal 15	Fuse
2	A	Rear left solenoid valve activation	ABS hydraulic unit
3	M	Ground	Ground point
4	E/A	TxD diagnostic data line	Data link connector
5	A	Pump relay activation	ABS hydraulic unit
6	A	Throttle valve angle reduction (DKR)	Electronic throttle control module (EML)
7	A	Valve relay activation	ABS hydraulic unit
8	A	Throttle valve angle increase (DKE)	Electronic throttle control module (EML)
9		Not used	
10		Not used	
11		Not used	
12		Not used	
13	E	Operating pressure signal	Pressure sensor/plunger
14	E	Throttle valve position	Electronic throttle control module (EML)
15	A	Coding plug for manual transmission	Pin 34 (stabilized voltage)
16	E	Signal line AHK	Control module AHK (850CSi)
17	E	Voltage signal, valve relay	ABS hydraulic unit
18	A	Rear right plunger valve activation	Pressure sensor/plunger
19	A	Front left solenoid valve activation	ABS hydraulic unit
20	A	Voltage signal pump relay	ABS hydraulic unit
21	A	Rear left plunger valve activation	Pressure sensor/plunger
22	A	Front right solenoid valve activation	ABS hydraulic unit
23	E	Voltage signal, valve relay	ABS hydraulic unit
24	E	Voltage signal ABS warning lamp	Instrument cluster
25	E	Accumulator warning pressure threshold	Pressure sensor/plunger
26		Not used	
27	E	Terminal 61 D+	Generator
28	E	ASC switch signal	ASC switch
29	E	Brake light signal	Brake light switch
30	E	RxD diagnostic data line	Data link connector

E = Input, A = Output, M = Ground



Pin Assignments

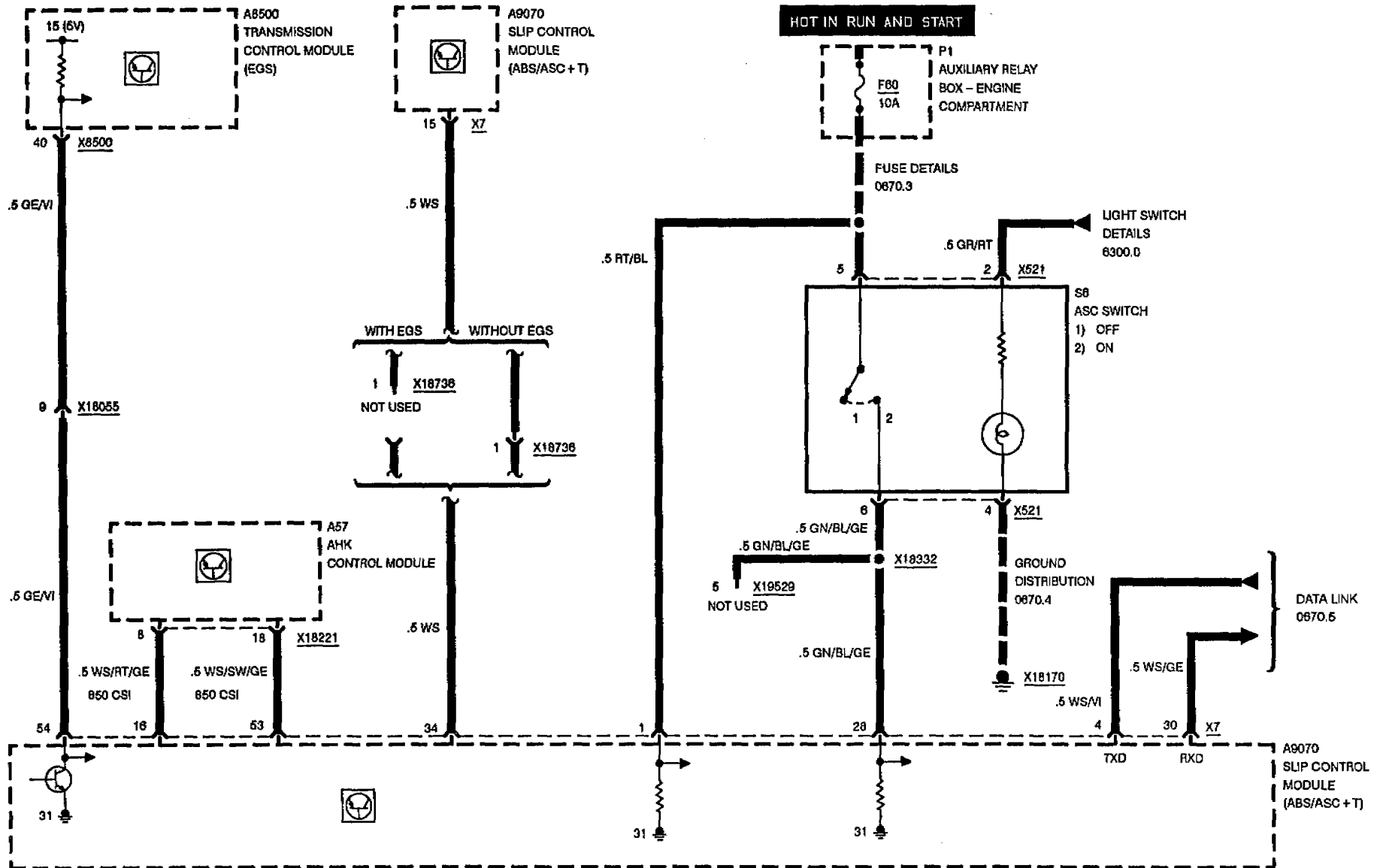
Pin	Type	Description/Function	Connection
31	E	Pump relay signal	ABS hydraulic unit
32	E	Park brake switch signal	Park brake switch
33	A	Recharging valve activation	Pressure sensor/plunger
34	E	Coding plug for manual transmission	Pin 15
35		Not used	
36	A	Rear right solenoid valve activation	ABS hydraulic unit
37	M	Ground	Ground point
38		Not used	
39	A	Ignition angle adjustment	Engine control modules (DME)
40	A	ASC multi-function lamp	Instrument cluster
41		Not used	
42	A	Right rear wheel speed sensor ground	Speed sensor
43	E	Right rear wheel speed signal	Speed sensor
44	A	Left rear wheel speed sensor ground	Speed sensor
45	E	Left rear wheel speed signal	Speed sensor
46	A	Right front wheel speed sensor ground	Speed sensor
47	E	Right front wheel speed signal	Speed sensor
48	A	Left front wheel speed sensor ground	Speed sensor
49		Not used	
50	E	Left front wheel speed signal	Speed sensor
51		Not used	
52	M	Ground	Ground point
53	E	Signal line AHK	Control module AHK (850CSi)
54	A	Signal, transmission intervention	Transmission control module (EGS)
55	E	RPM signal	Engine control module (DME)

E = Input, A = Output, M = Ground

BMW
8

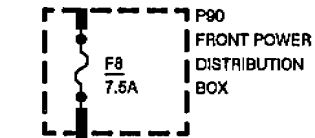
3450.2

SLIP CONTROL (ABS/ASC+T)

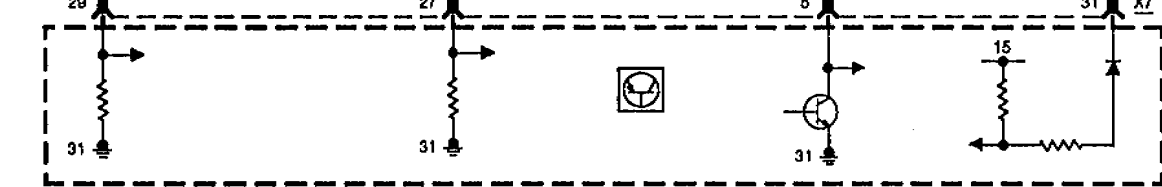
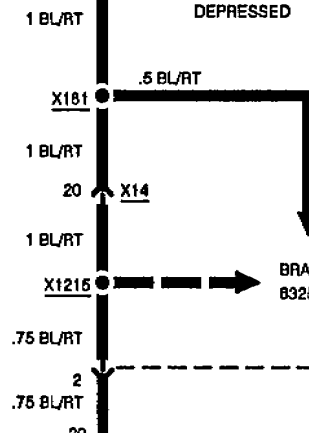
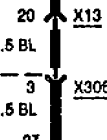
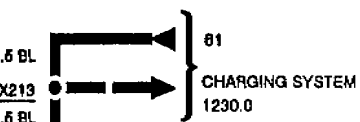
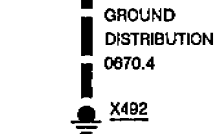
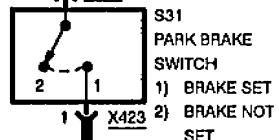
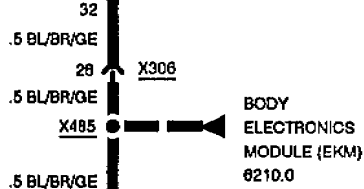
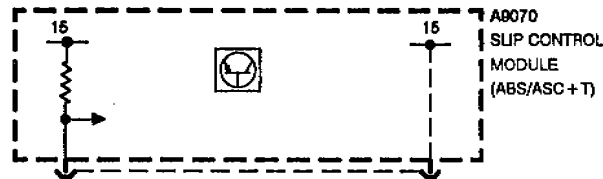
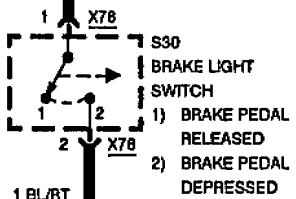


SLIP CONTROL (ABS/ASC+T)

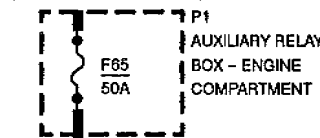
HOT IN ACCY, RUN OR START



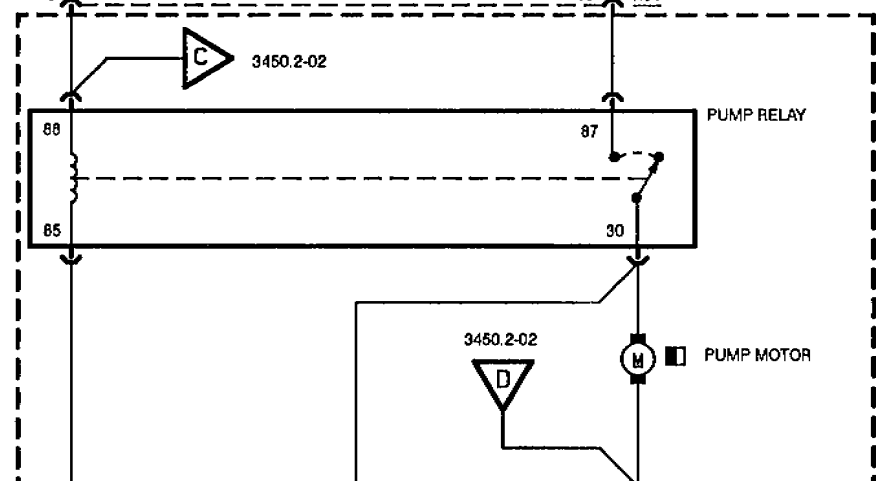
FUSE DETAILS
0670.3



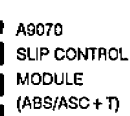
HOT AT ALL TIMES



POWER
DISTRIBUTION
0670.2

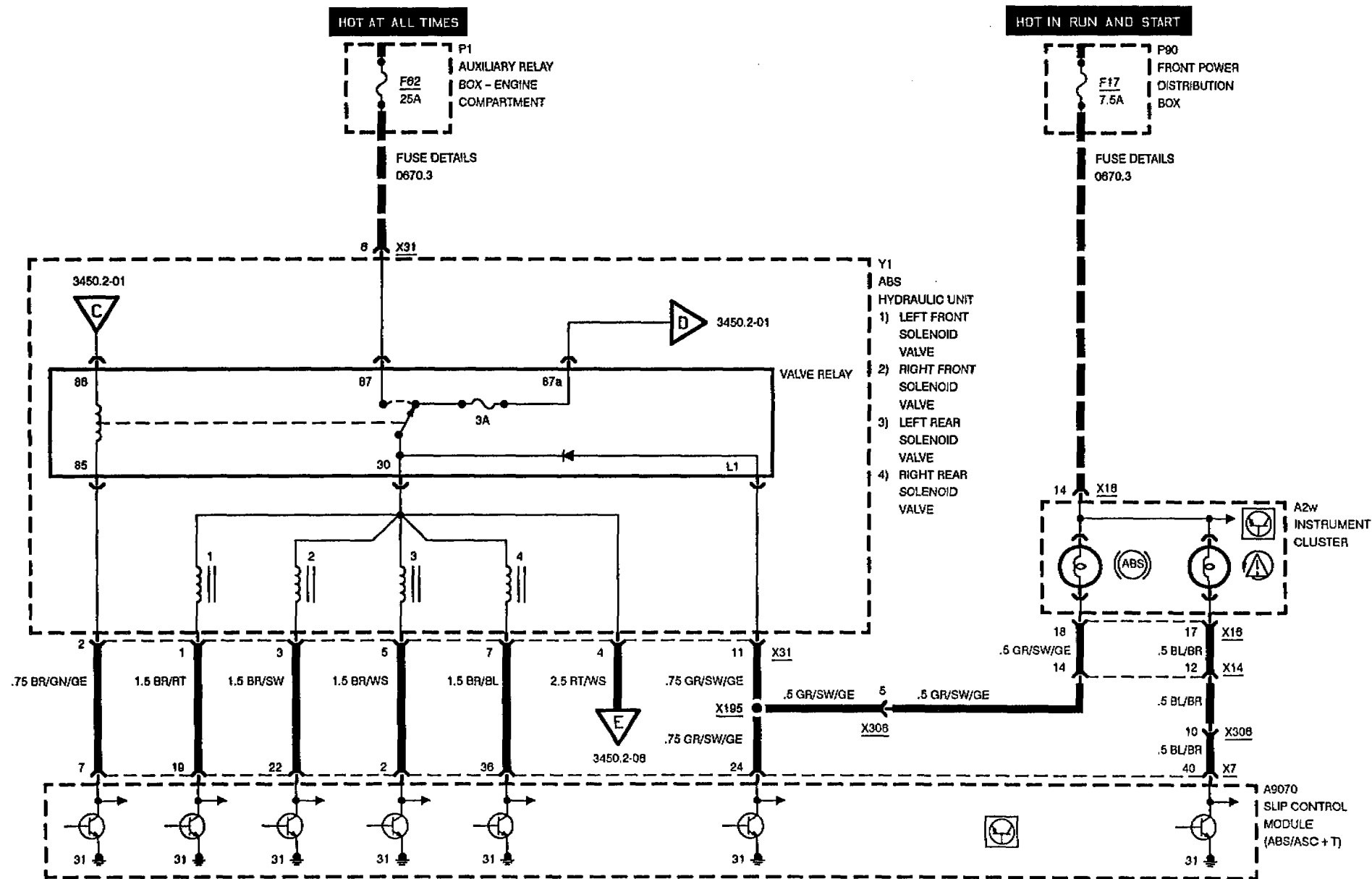


Y1
ABS
HYDRAULIC UNIT

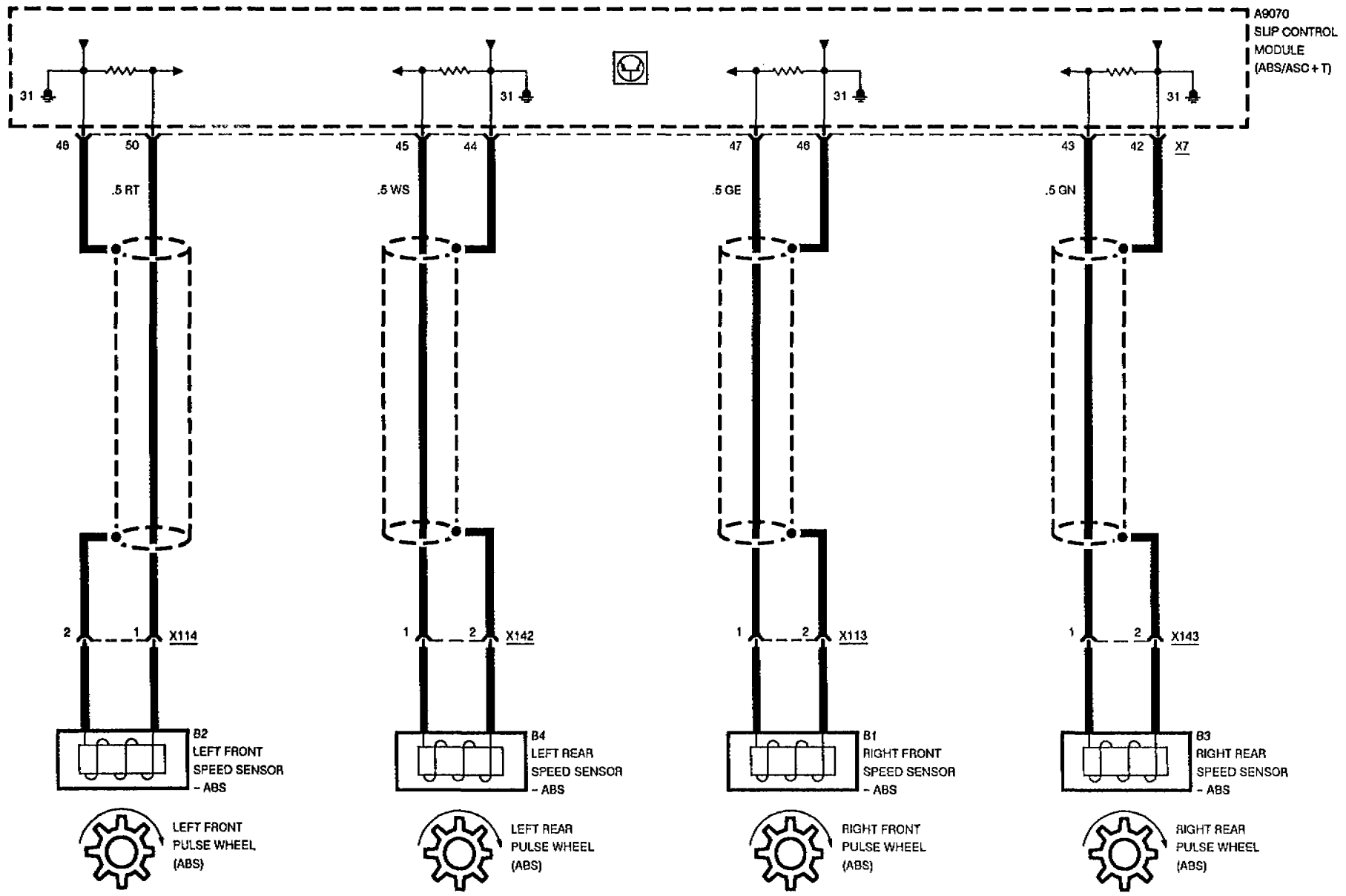




SLIP CONTROL (ABS/ASC + T)

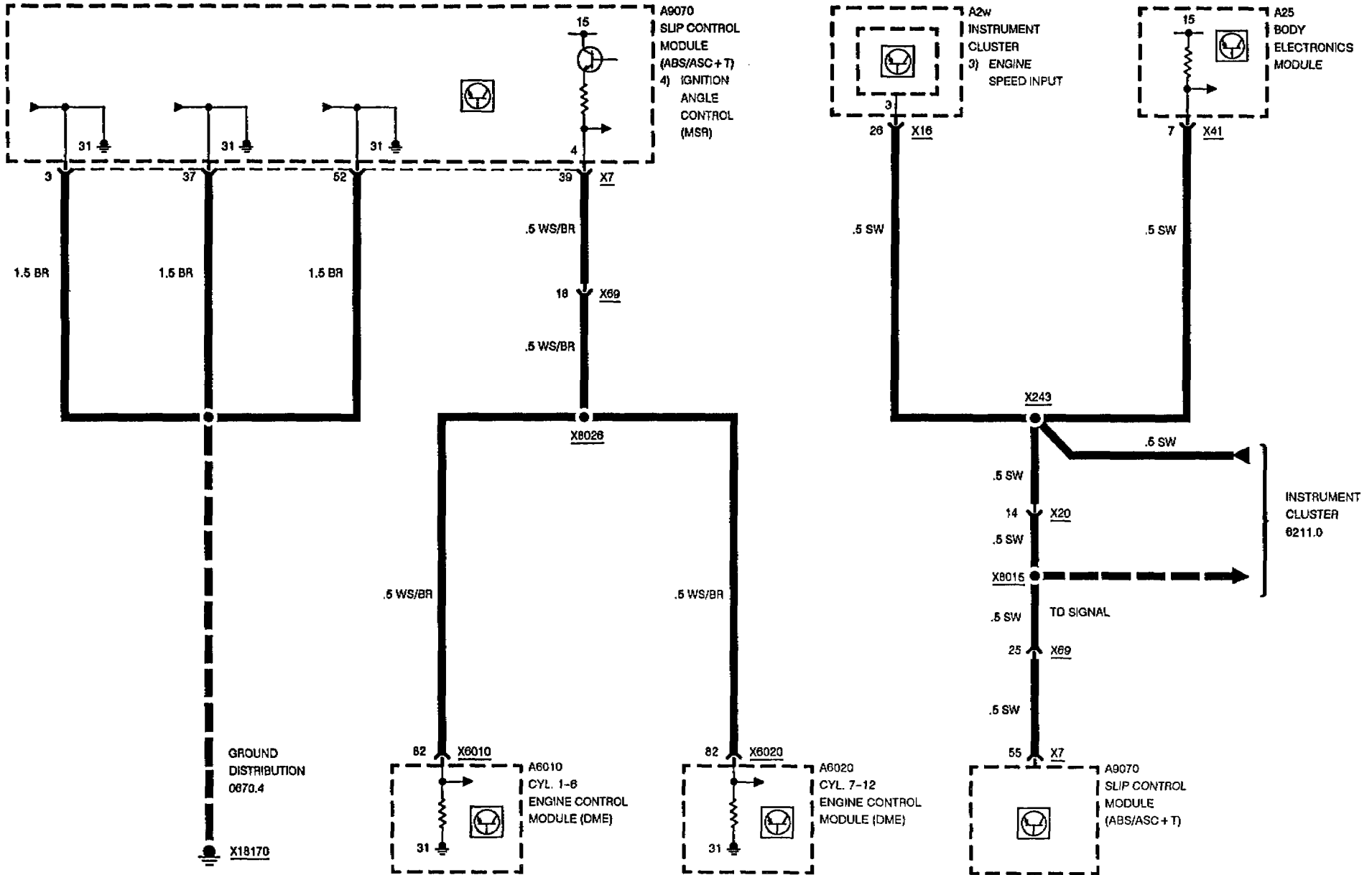


SLIP CONTROL (ABS/ASC+T)



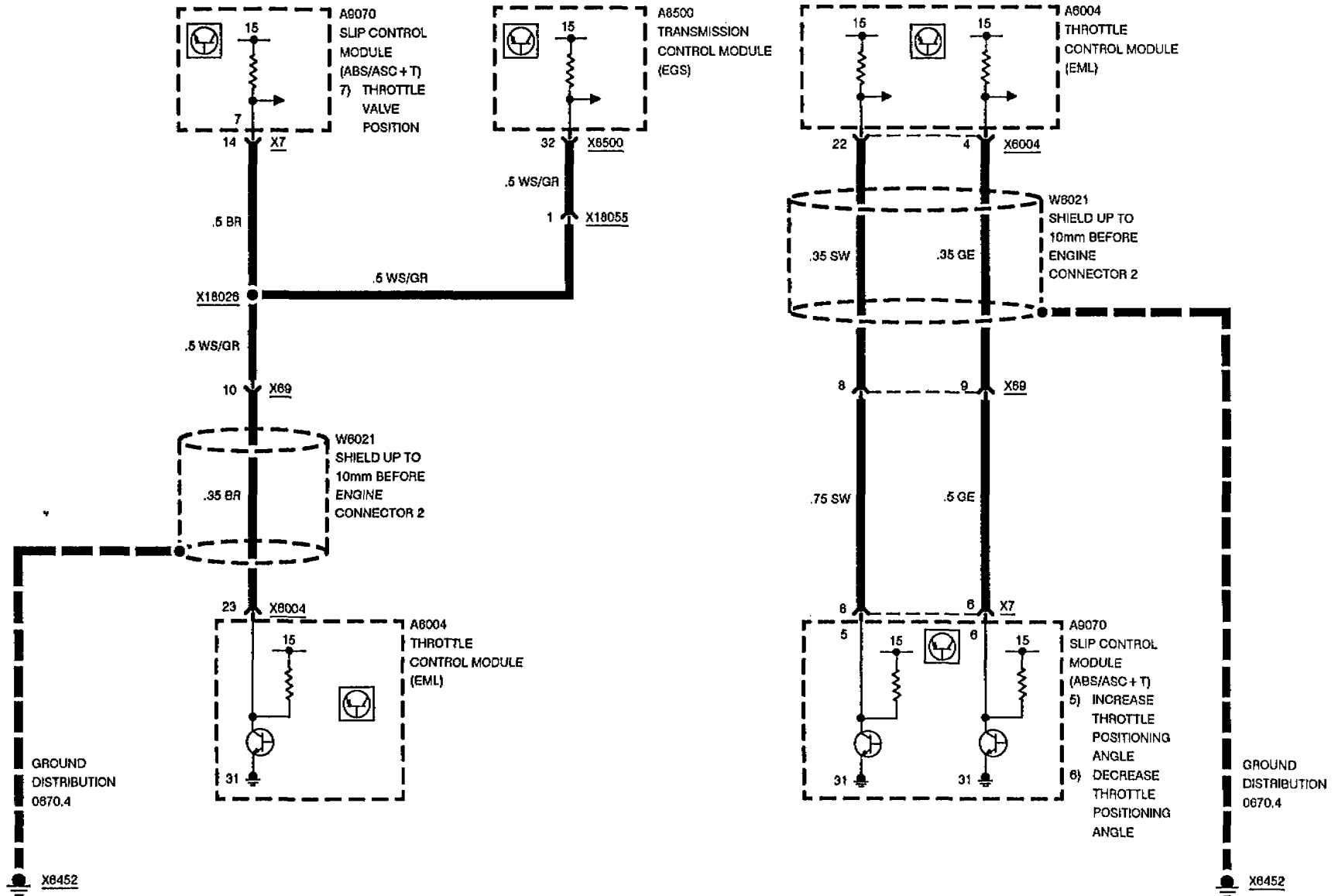


SLIP CONTROL (ABS/ASC+T) ENGINE CONTROL (DME) INTERFACE



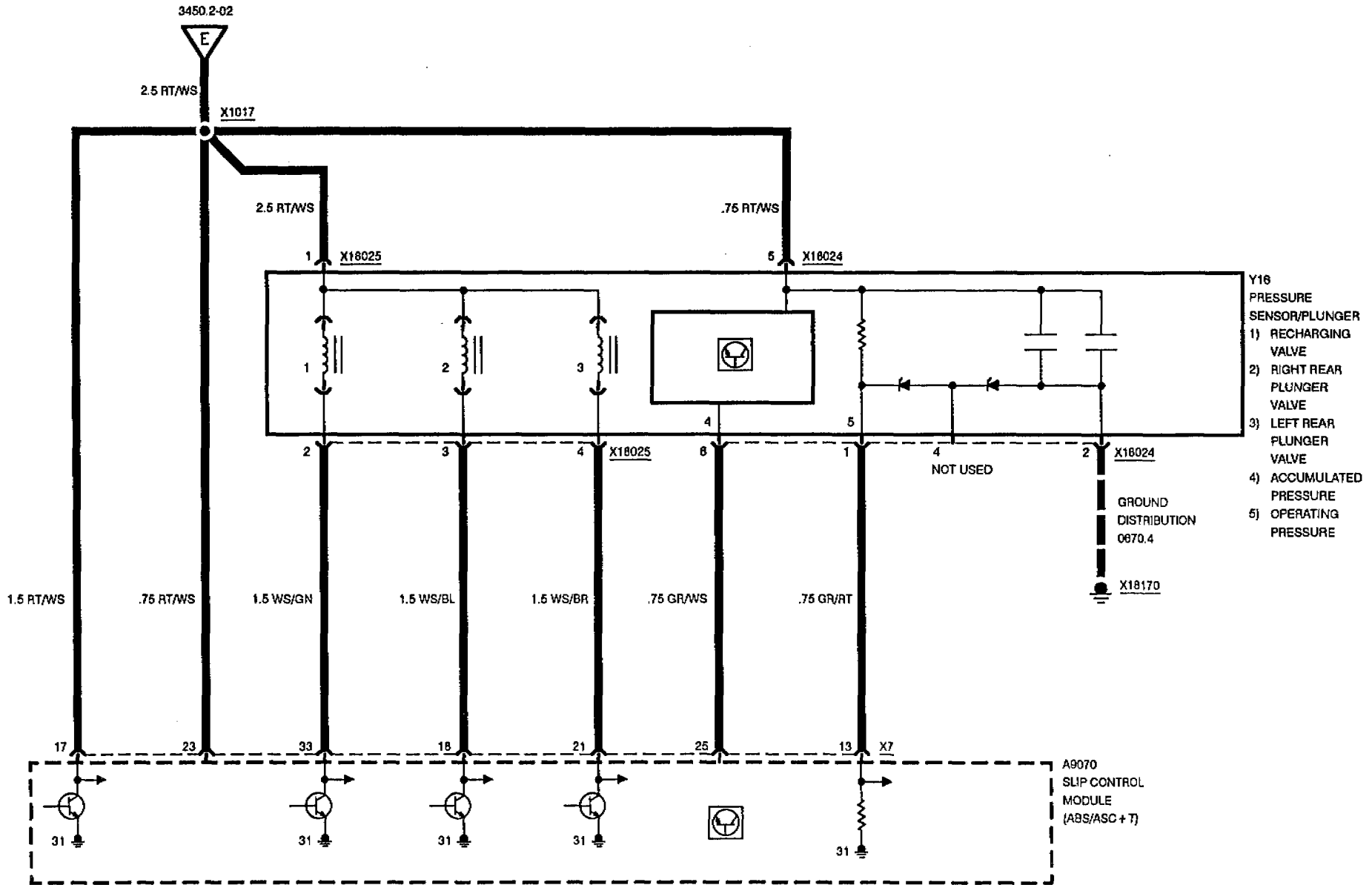


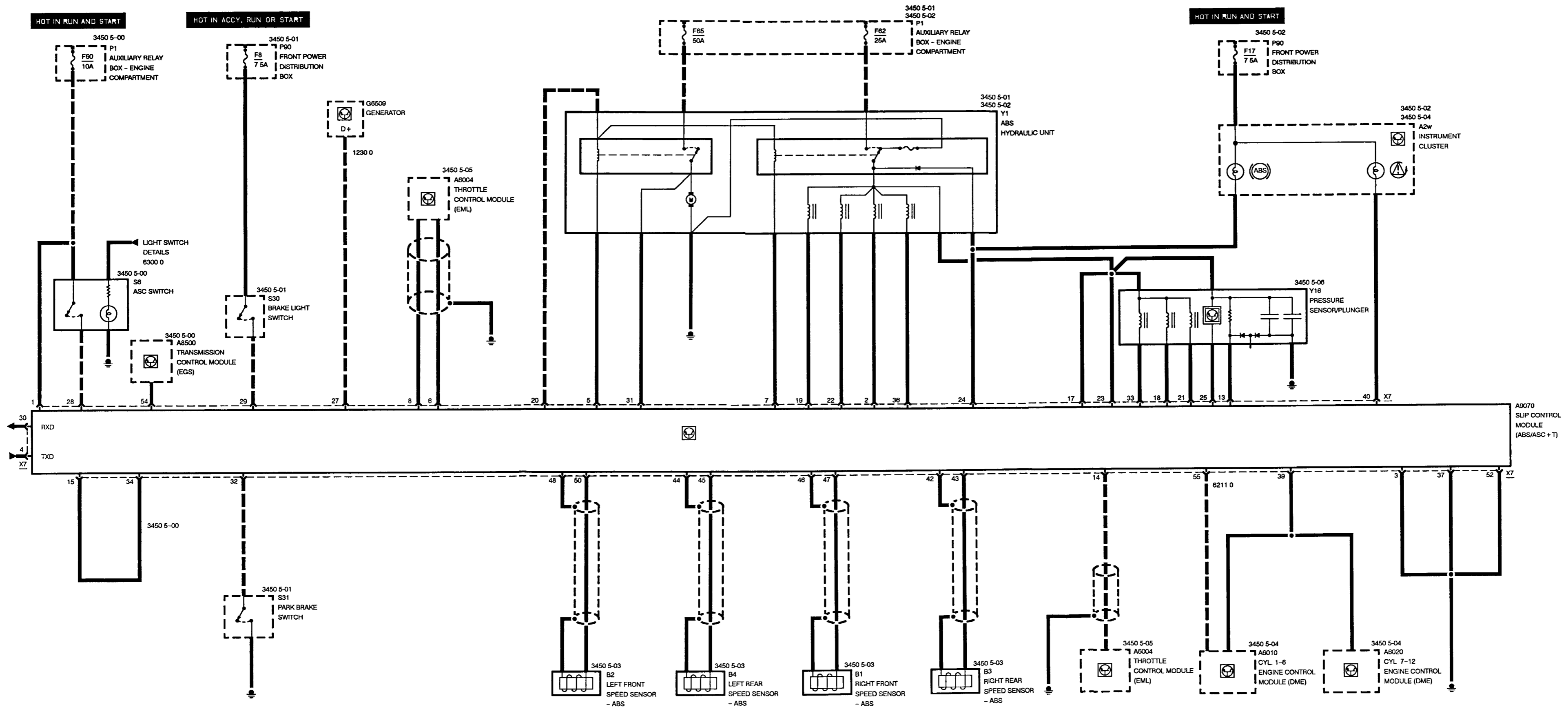
SLIP CONTROL (ABS/ASC + T) EML INTERFACE

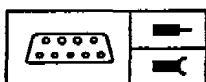




SLIP CONTROL (ABS/ASC + T)





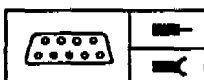


Pin Assignments

X7

Pin	Type	Description/Function	Connection
1	E	terminal 15	Fuse
2	A	Rear left solenoid valve activation	ABS hydraulic unit
3	M	Ground	Ground point
4	E/A	TxD diagnostic data line	Data link connector
5	A	Pump relay activation	ABS hydraulic unit
6	A	Throttle valve angle reduction (DKR)	Electronic throttle control module (EML)
7	A	Valve relay activation	ABS hydraulic unit
8	A	Throttle valve angle increase (DKE)	Electronic throttle control module (EML)
9		Not used	
10		Not used	
11		Not used	
12		Not used	
13	E	Operating pressure signal	Pressure sensor/plunger
14	E	Throttle valve position	Electronic throttle control module (EML)
15	A	Coding plug for manual transmission	Pin 34 (stabilized voltage)
16	E	Signal line AHK	Control module AHK (850CSi)
17	E	Voltage signal, valve relay	ABS hydraulic unit
18	A	Rear right plunger valve activation	Pressure sensor/plunger
19	A	Front left solenoid valve activation	ABS hydraulic unit
20	A	Voltage signal pump relay	ABS hydraulic unit
21	A	Rear left plunger valve activation	Pressure sensor/plunger
22	A	Front right solenoid valve activation	ABS hydraulic unit
23	E	Voltage signal, valve relay	ABS hydraulic unit
24	E	Voltage signal ABS warning lamp	Instrument cluster
25	E	Accumulator warning pressure threshold	Pressure sensor/plunger
26		Not used	
27	E	Terminal 61 D+	Generator
28	E	ASC switch signal	ASC switch
29	E	Brake light signal	Brake light switch
30	E	RxD diagnostic data line	Data link connector

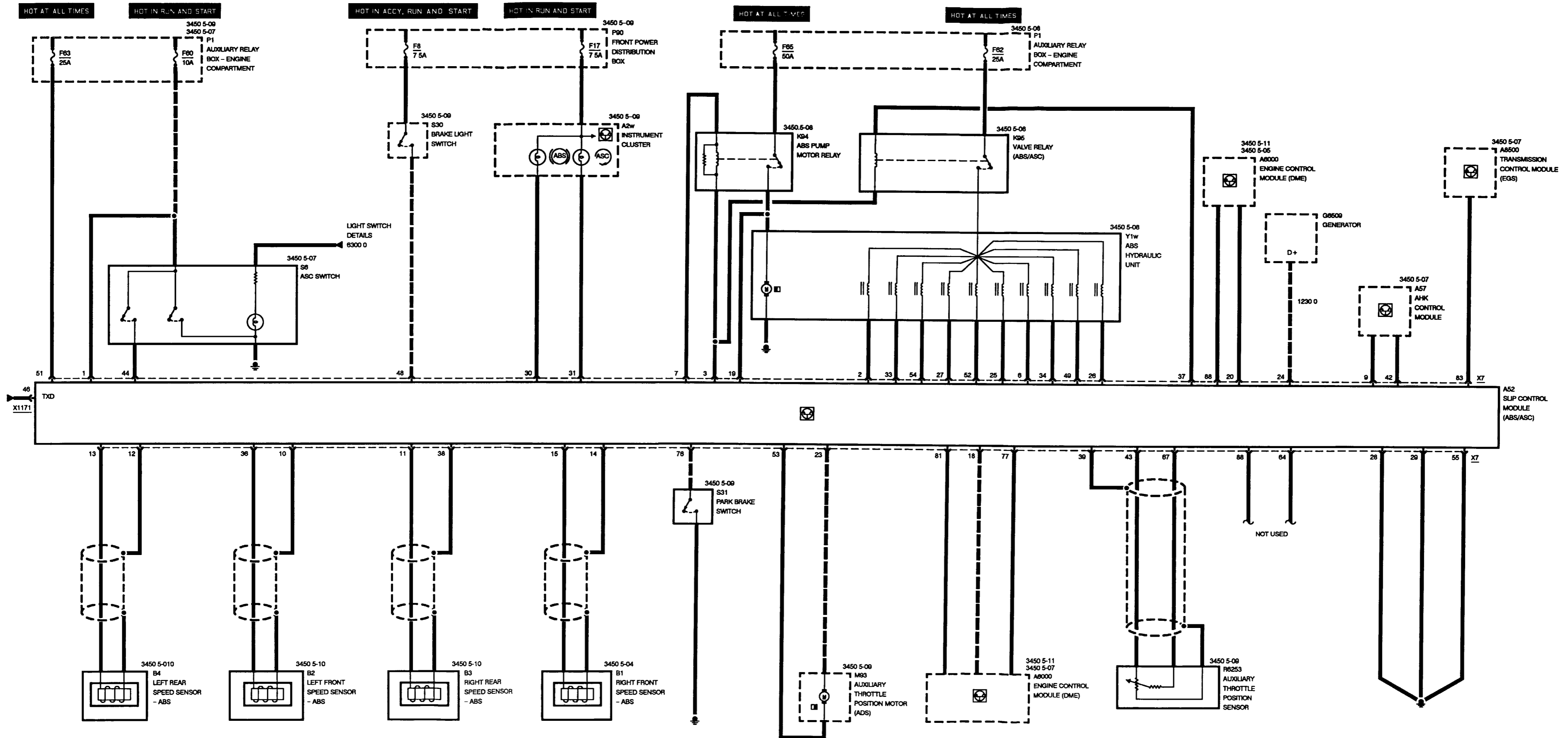
E = input, A = Output, M = Ground

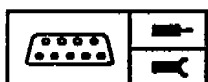


Pin Assignments

Pin	Type	Description/Function	Connection
31	E	Pump relay signal	ABS hydraulic unit
32	E	Park brake switch signal	Park brake switch
33	A	Recharging valve activation	Pressure sensor/plunger
34	E	Coding plug for manual transmission	Pin 15
35		Not used	
36	A	Rear right solenoid valve activation	ABS hydraulic unit
37	M	Ground	Ground point
38		Not used	
39	A	Ignition angle adjustment	Engine control modules (DME)
40	A	ASC multi-function lamp	Instrument cluster
41		Not used	
42	A	Right rear wheel speed sensor ground	Speed sensor
43	E	Right rear wheel speed signal	Speed sensor
44	A	Left rear wheel speed sensor ground	Speed sensor
45	E	Left rear wheel speed signal	Speed sensor
46	A	Right front wheel speed sensor ground	Speed sensor
47	E	Right front wheel speed signal	Speed sensor
48	A	Left front wheel speed sensor ground	Speed sensor
49		Not used	
50	E	Left front wheel speed signal	Speed sensor
51		Not used	
52	M	Ground	Ground point
53	E	Signal line AHK	Control module AHK (850CSi)
54	A	Signal, transmission intervention	Transmission control module (EGS)
55	E	RPM signal	Engine control module (DME)

E = Input, A = Output, M = Ground



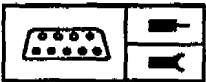


Pin Assignments

X7

Pin	Type	Description/Function	Connection
1	E	Battery voltage	Fuse F60, Auxillary Relay Box
2	A	Left front inlet valve	ABS hydraulic unit
3	A	ABS/ASC valve relay, ABS/ASC engine control relay	ABS/ASC valve relay, ABS/ASC engine control relay
4		Not used	
5		Not used	
6	A	Right rear inlet valve	ABS hydraulic unit
7	A	Voltage signal ABS/ASC engine control relay	Engine control relay (ABS/ASC + T)
8		Not used	
9	A	Left front wheel speed sensor signal	AHK control module
10	A	Left front speed sensor ground	Left front speed sensor
11	E	Right rear speed sensor voltage signal	Right rear speed sensor (ABS)
12	A	Left rear speed sensor ground	Left rear speed sensor
13	A	Left rear speed voltage signal	Left rear speed sensor (ABS)
14	A	Right front speed sensor ground	Right front speed sensor
15	E	Right front speed sensor voltage signal	Right front speed sensor (ABS)
16		Not used	
17		Not used	
18	E	EML-signal	Engine control module (DME)
19	E	ABS/ASC engine control relay, voltage signal	ABS/ASC engine control relay
20	E	Engine speed signal	Engine control module
21		Not used	
22		Not used	
23	A	Auxiliary throttle control motor, voltage	ADS throttle control motor
24	E	Terminal 61 D+	Generator
25	A	Left rear outlet valve	ABS hydraulic unit
26	A	Pressure intake valve	ABS hydraulic unit
27	A	Right front outlet valve	ABS hydraulic unit
28	M	Ground	Ground point

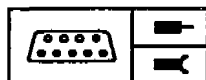
E = Input, A = Output, M = Ground



Pin Assignments

Pin	Type	Description/Function	Connection
29	M	Ground	Ground point
30	A	Voltage signal, ABS warning lamp	Instrument cluster
31	A	ASC multi-function lamp	Instrument cluster
32		Not used	
33	A	Left front outlet valve	ABS hydraulic unit
34	A	Right rear outlet valve	ABS hydraulic unit
35		Not used	
36	E	Left front speed sensor, voltage signal	Left front speed sensor (ABS)
37	A	Voltage signal, ABS/ASC valve relay	ABS valve relay
38	A	Right rear speed sensor ground	Right rear speed sensor
39	A	Throttle control potentiometer ground	Throttle control potentiometer
40	A	Left rear wheel speed signal	Transmission control unit (AGS)
41		Not used	
42	A	Right front wheel speed signal	AHK control module
43	A	Throttle control potentiometer, voltage	Throttle flap potentiometer (ASC)
44	E	ASC passive button voltage signal	ASC switch
45		Not used	
46	E/A	TxD diagnostic data line	Data link connector
47		Not used	
48	E	Brake light signal	Brake light switch
49	A	Plunger valve	ABS hydraulic unit
50		Not used	
51	E	Voltage supply	Fuse F63, Auxiliary Relay Box
52	A	Left rear outlet valve	ABS hydraulic unit
53	E	Auxiliary throttle control motor, ground	ADS throttle control motor
54	A	Left front inlet valve	ABS hydraulic unit
55	M	Ground	Ground point
56		Not used	
57		Not used	
58		Not used	
59		Not used	
60		Not used	

E = Input, A = Output, M = Ground



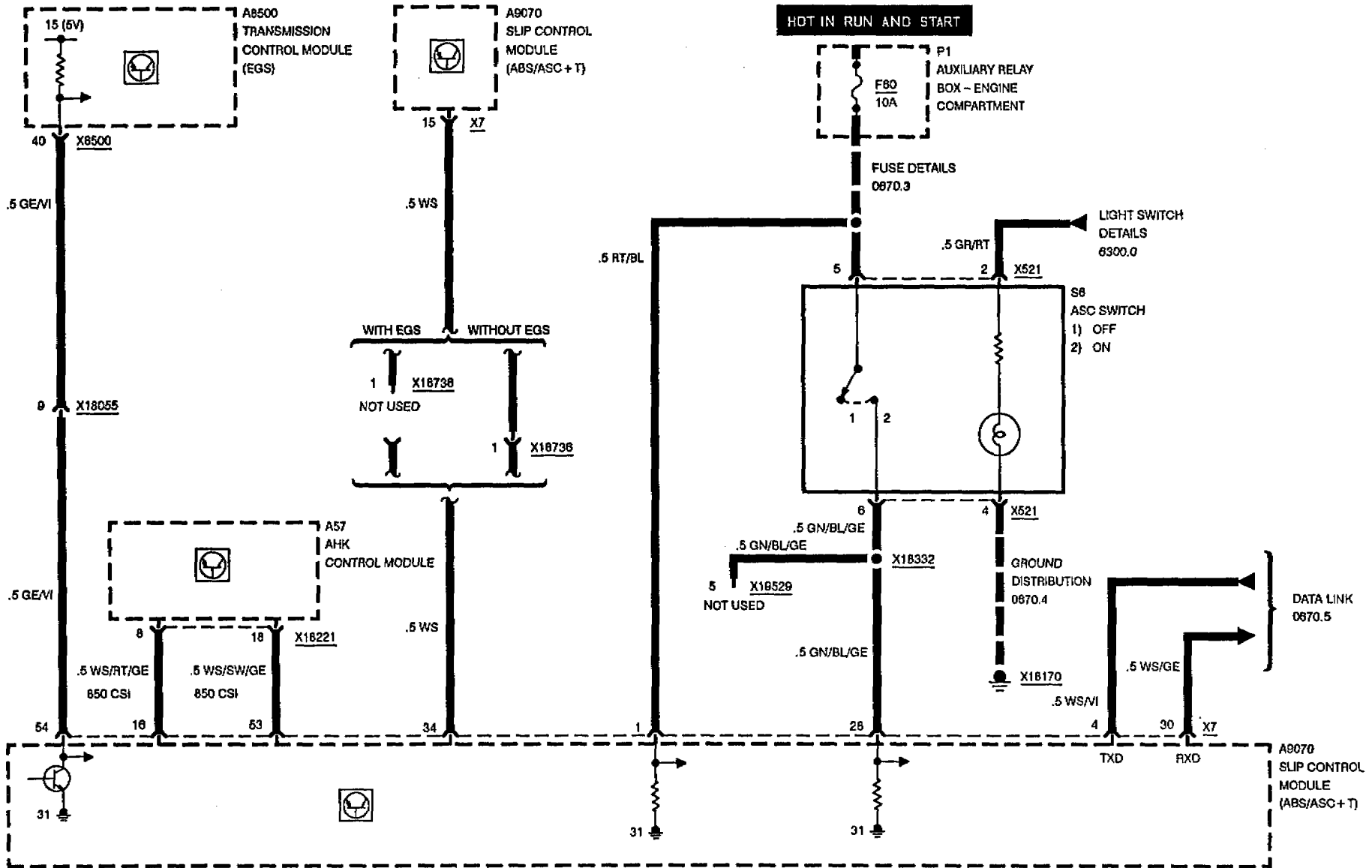
Pin Assignments

Pin	Type	Description/Function	Connection
61		Not used	
62		Not used	
63		Not used	
64		Not Used	
65		Not used	
66		Not used	
67	E	Throttle control potentiometer, signal	Throttle flap potentiometer (ASC)
68		Not used	
69		Not used	
70		Not used	
71		Not used	
72		Not used	
73		Not used	
74		Not used	
75		Not used	
76	E	Park brake signal	Park brake switch
77	A	Ignition timing set	Engine control module (DME)
78		Not used	
79		Not used	
80		Not used	
81	E	Signal line	Engine control module (DME)
82		Not used	
83	A	Transmission intervention	Transmission control unit (EGS)
84		Not used	
85		Not used	
86		Not used	
87		Not used	
88		Not used	

E = Input, A = Output, M = Ground



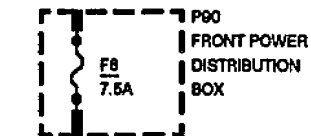
SLIP CONTROL 5 (ASC 5)



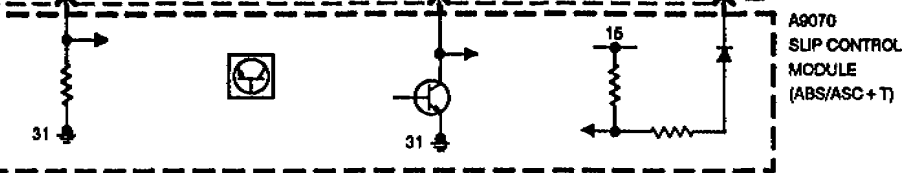
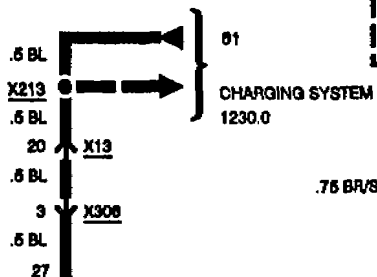
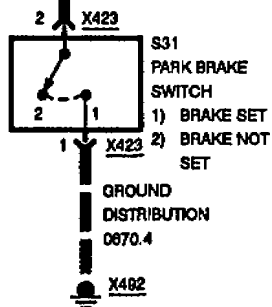
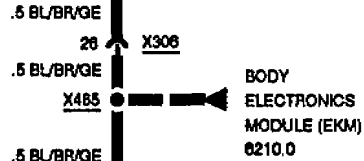
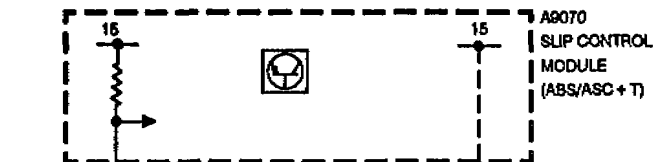
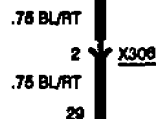
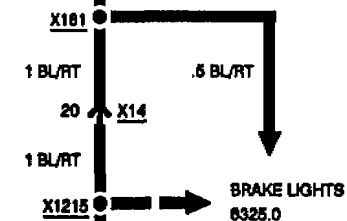
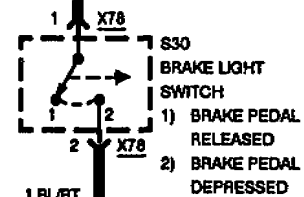


SLIP CONTROL 5 (ASC 5)

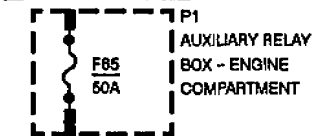
HOT IN ACCY, RUN OR START



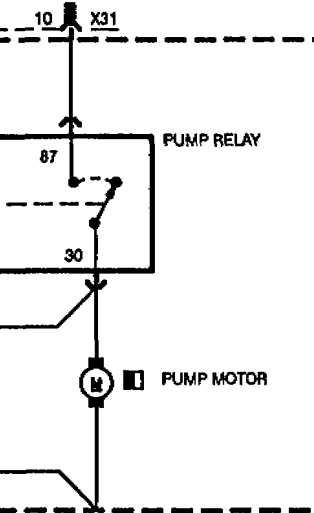
FUSE DETAILS 0670.3



HOT AT ALL TIMES



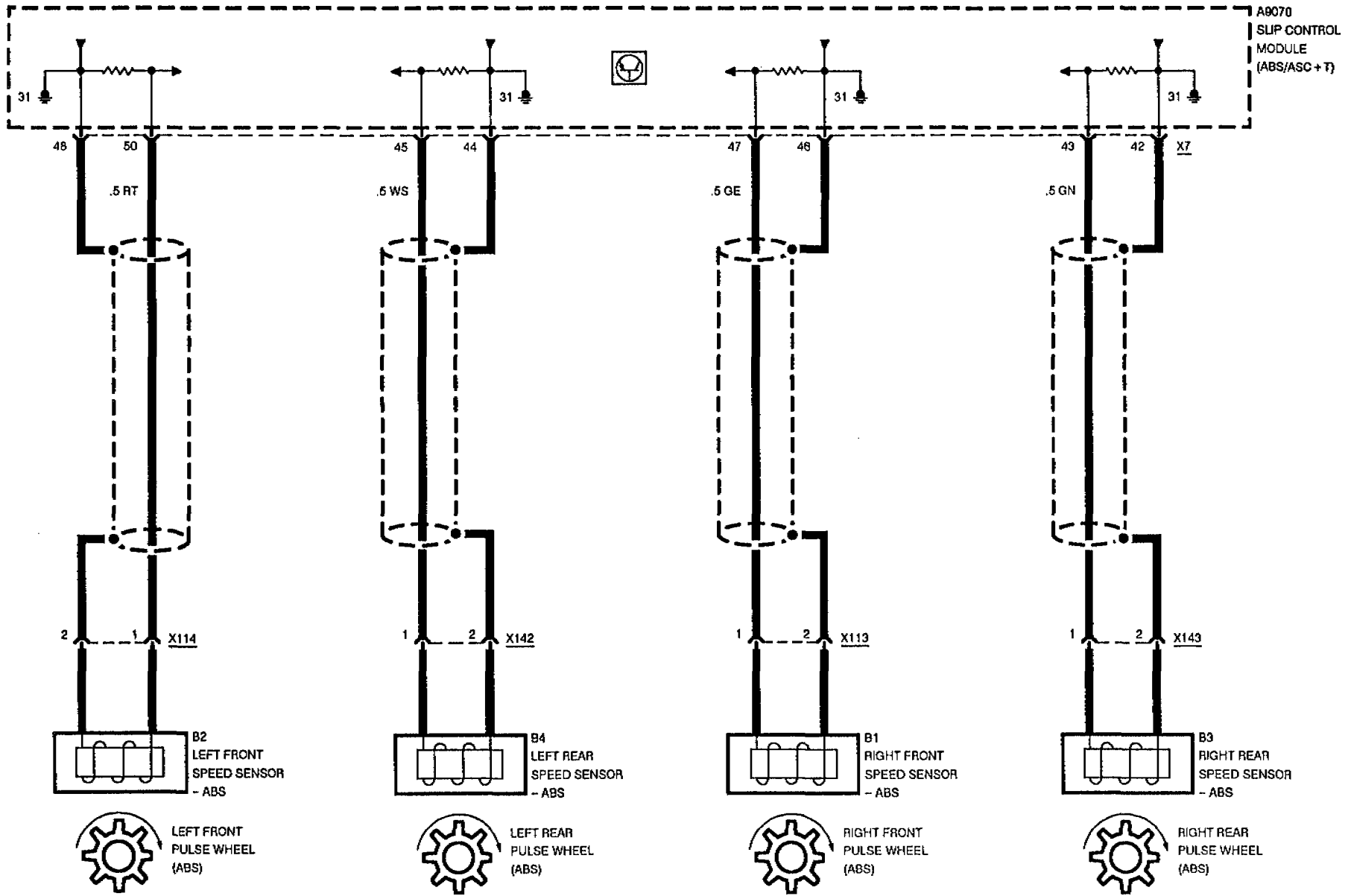
POWER DISTRIBUTION 0670.2



GROUND DISTRIBUTION 0670.4

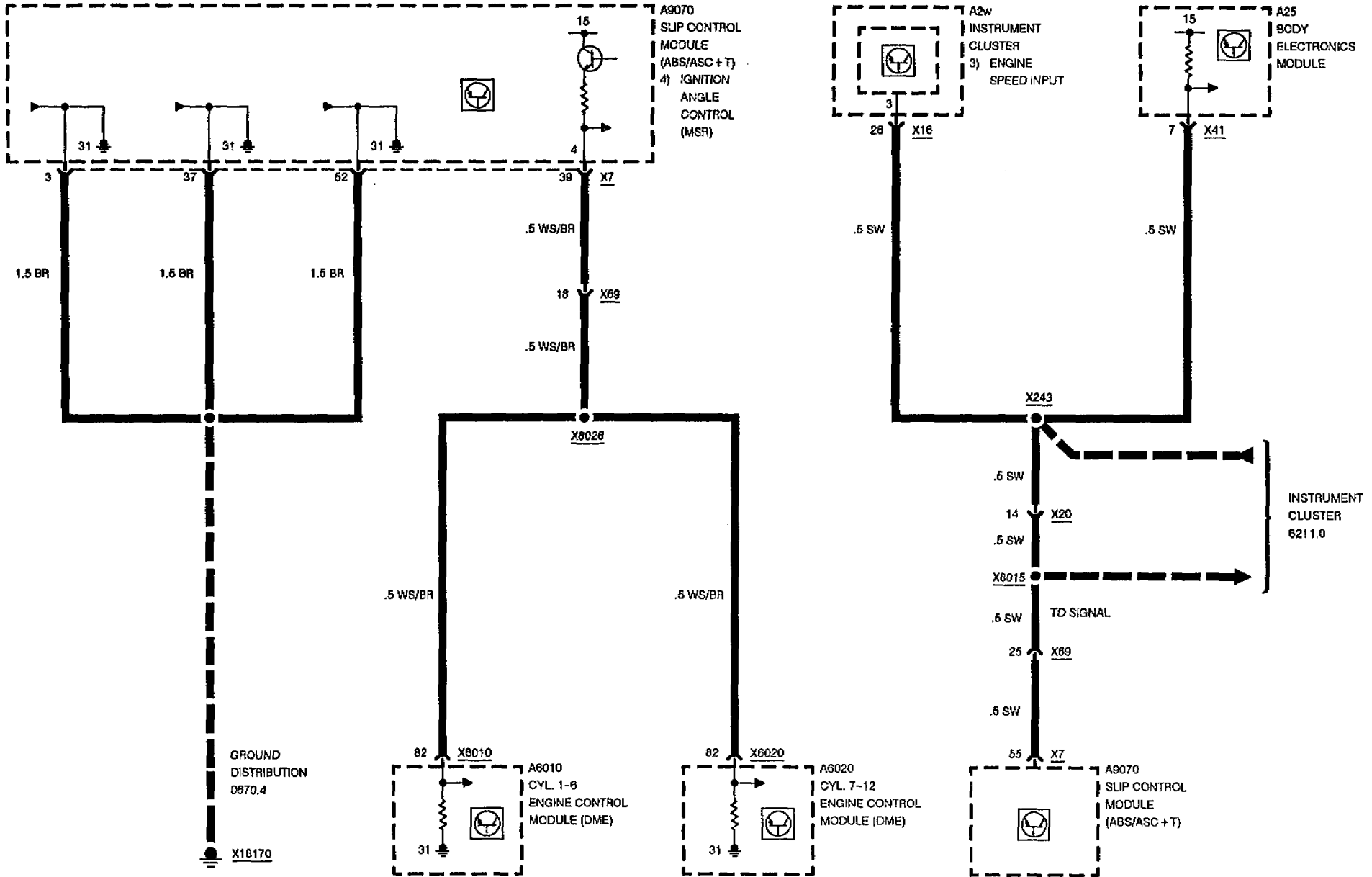
X1185

SLIP CONTROL 5 (ASC 5)



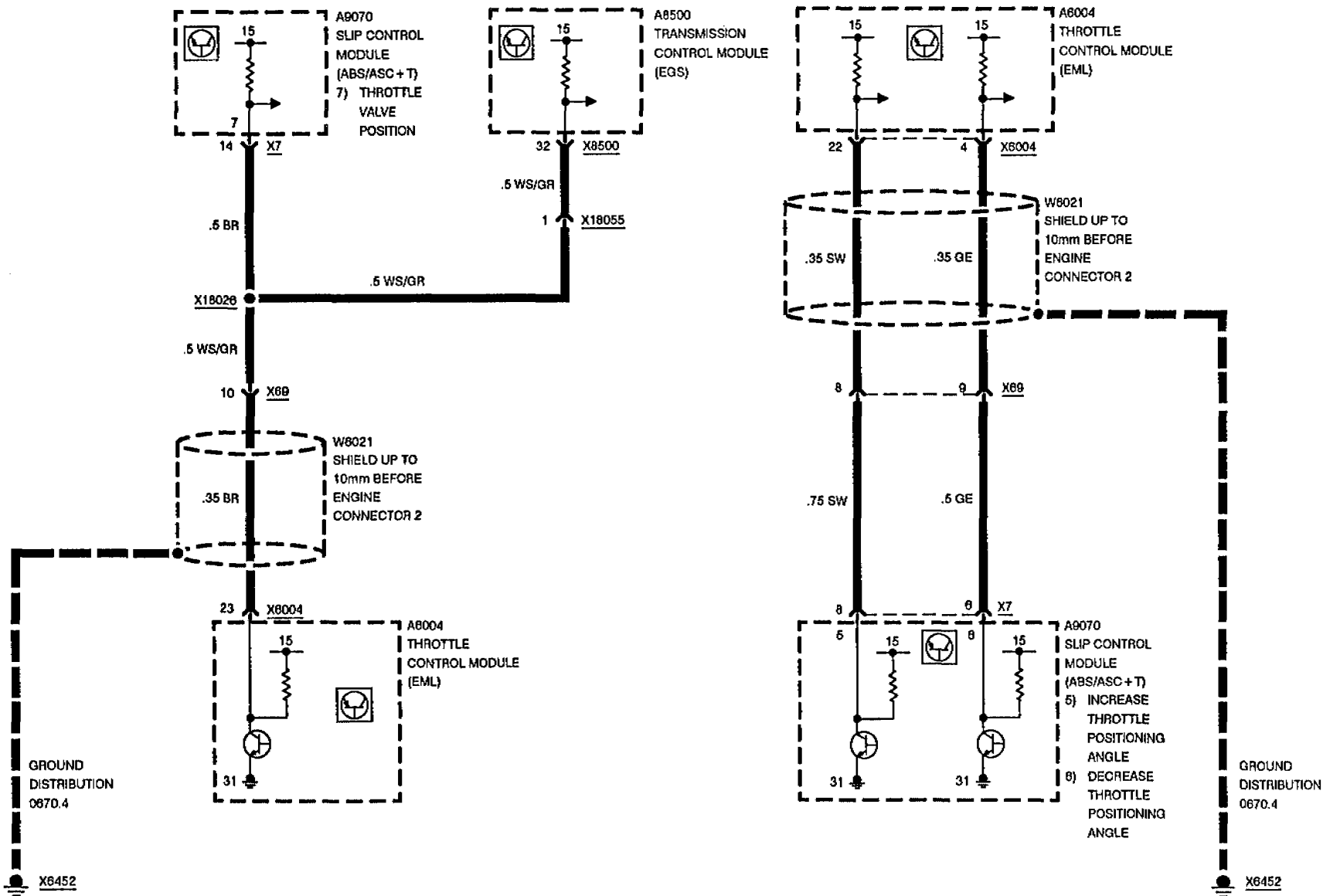


SLIP CONTROL 5 (ASC 5) ENGINE CONTROL (DME) INTERFACE



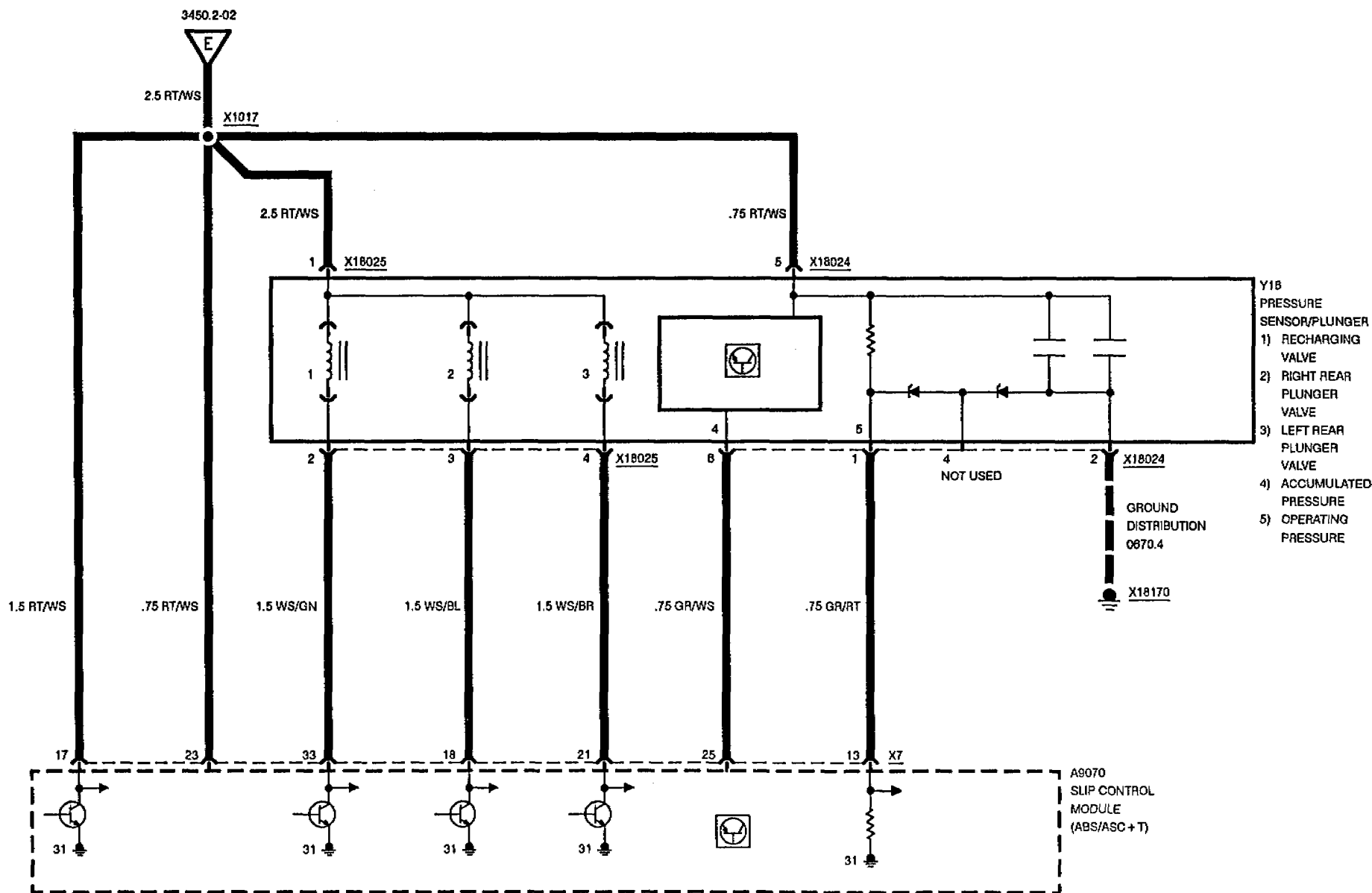


SLIP CONTROL 5 (ASC 5) EML INTERFACE





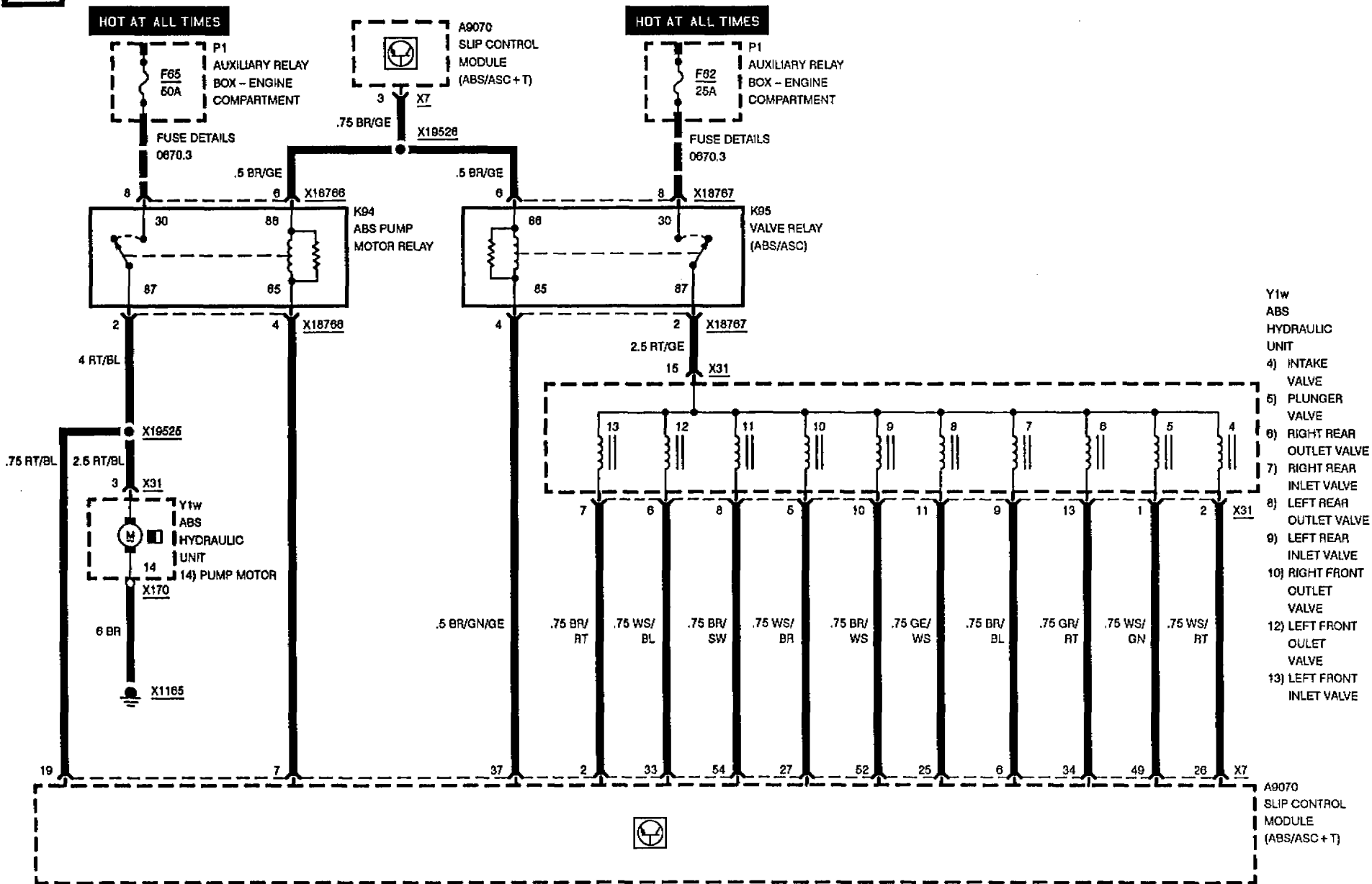
SLIP CONTROL 5 (ASC 5)





SLIP CONTROL 5 (ASC 5)

840Ci



05/94

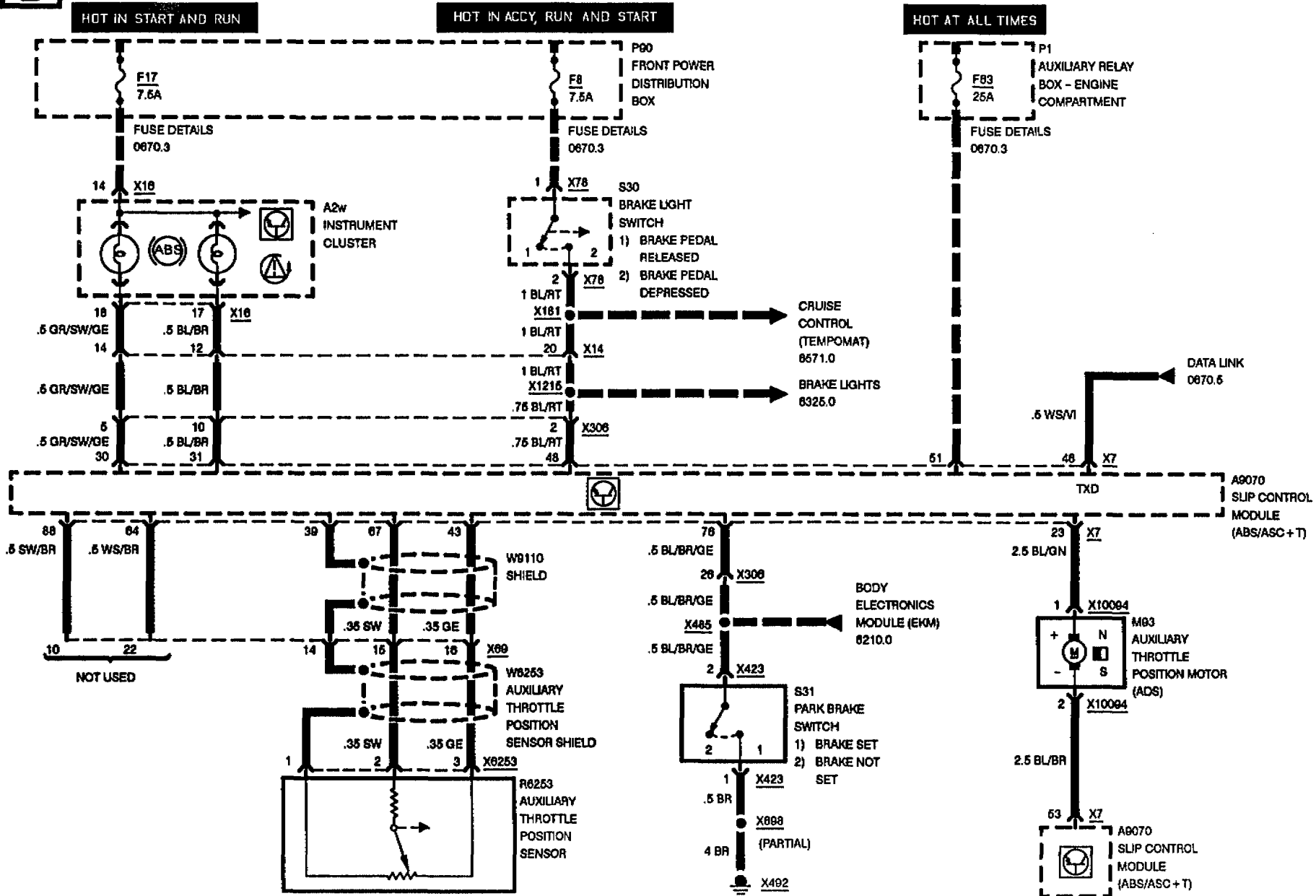
3450.5-08

1995



SLIP CONTROL 5 (ASC 5)

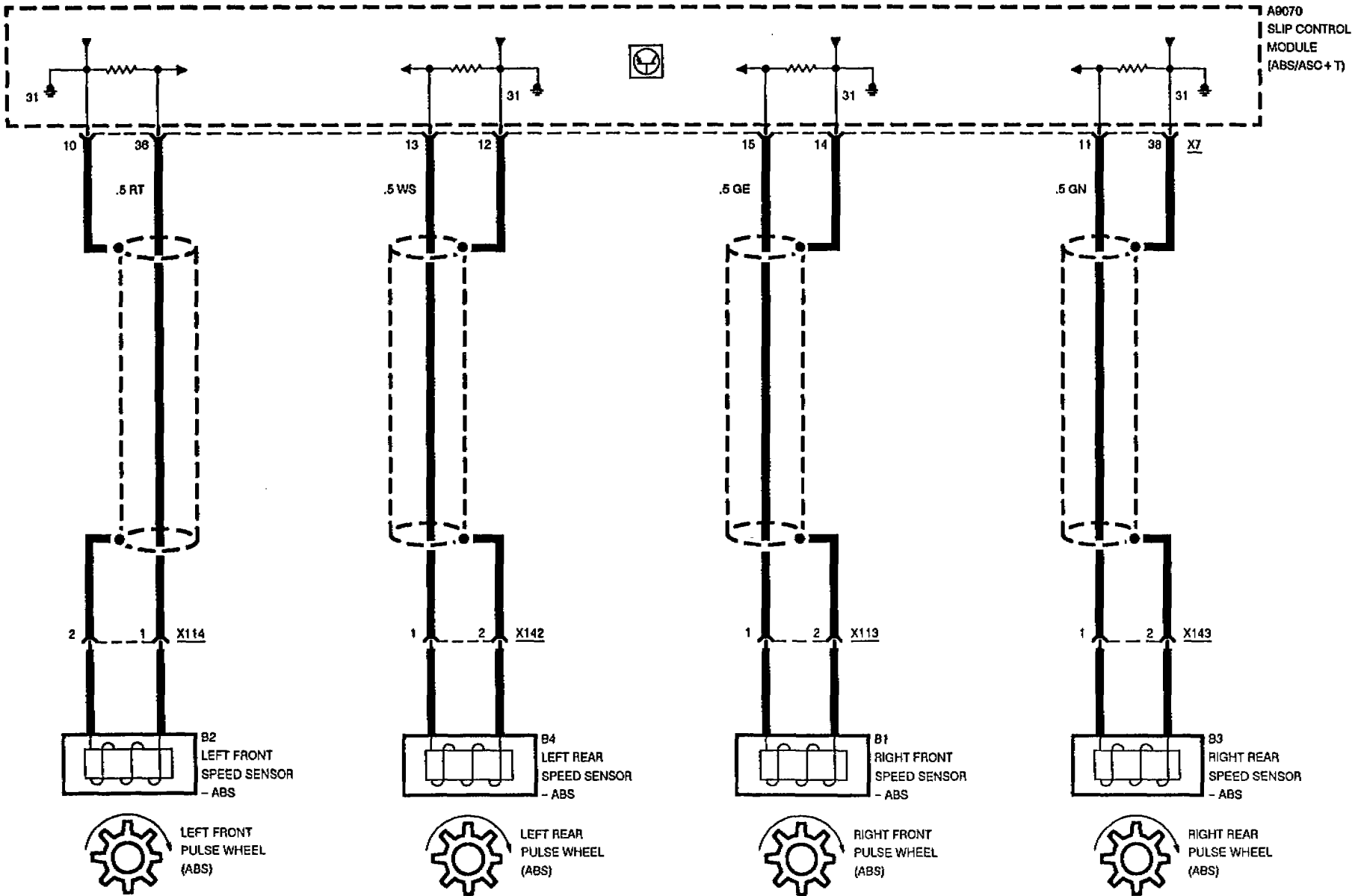
840Ci



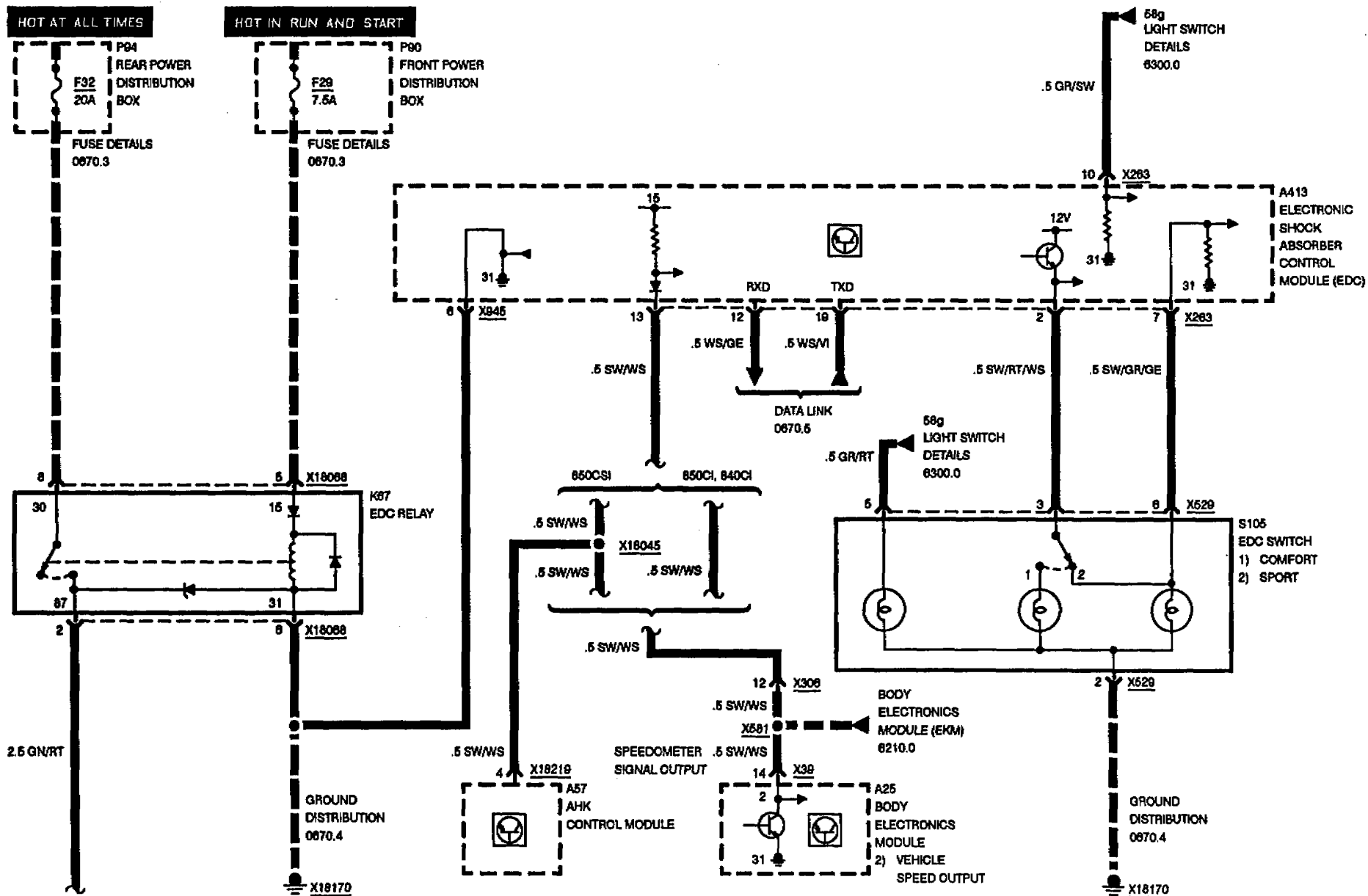


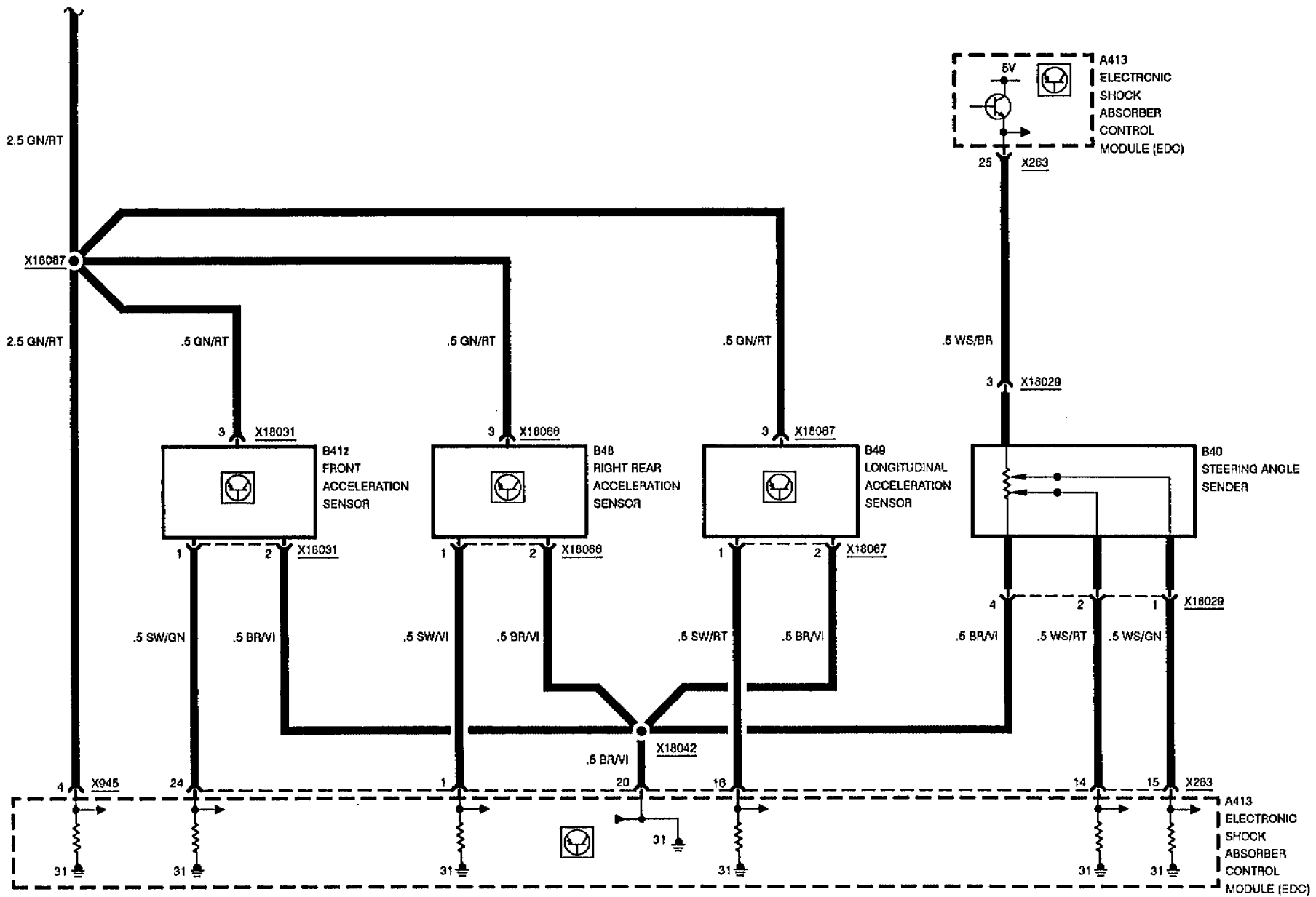
SLIP CONTROL 5 (ASC 5)

840Ci



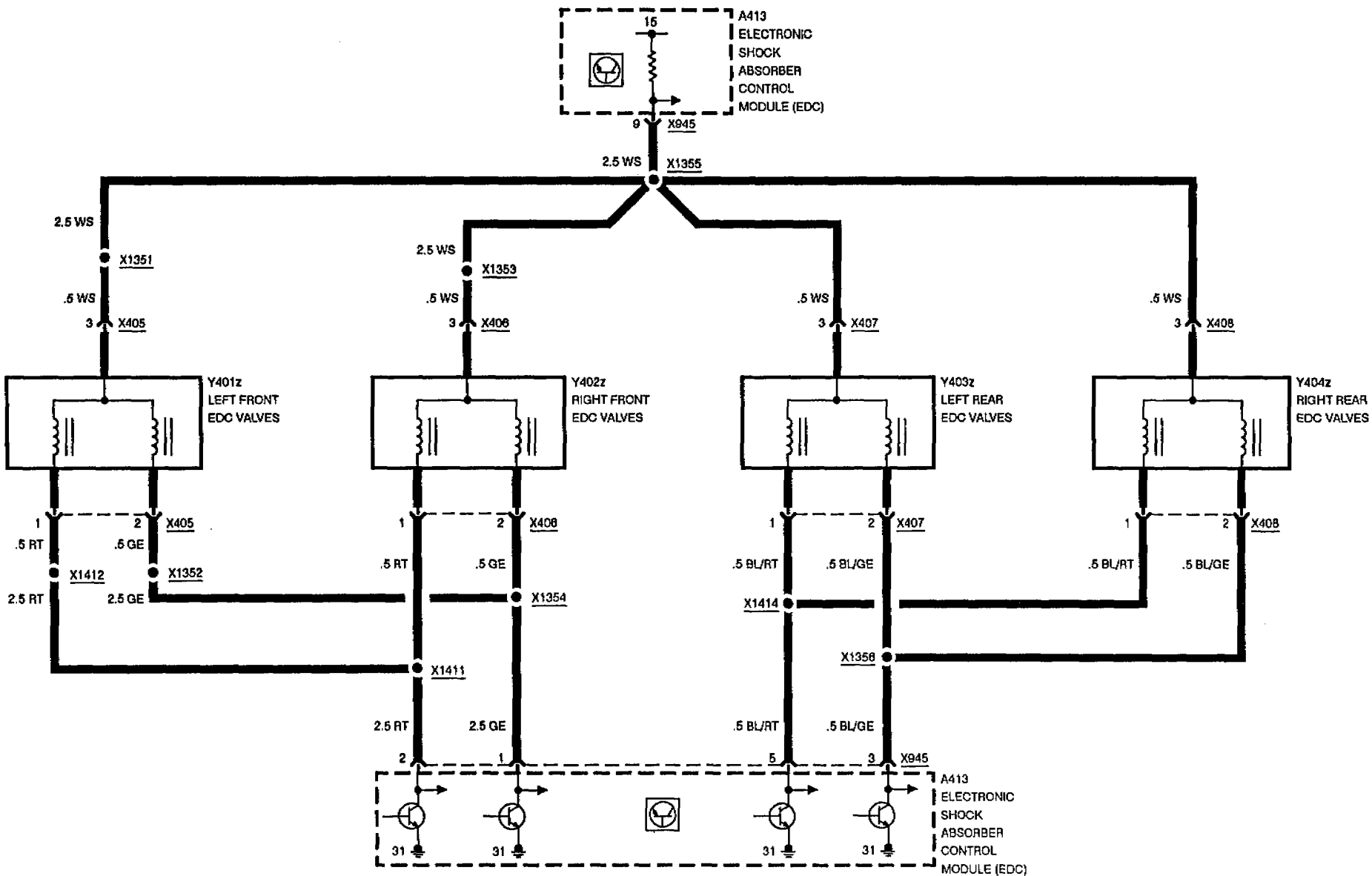
ELECTRONIC SHOCK ABSORBER CONTROL (EDC III+)







ELECTRONIC SHOCK ABSORBER CONTROL (EDC III +)

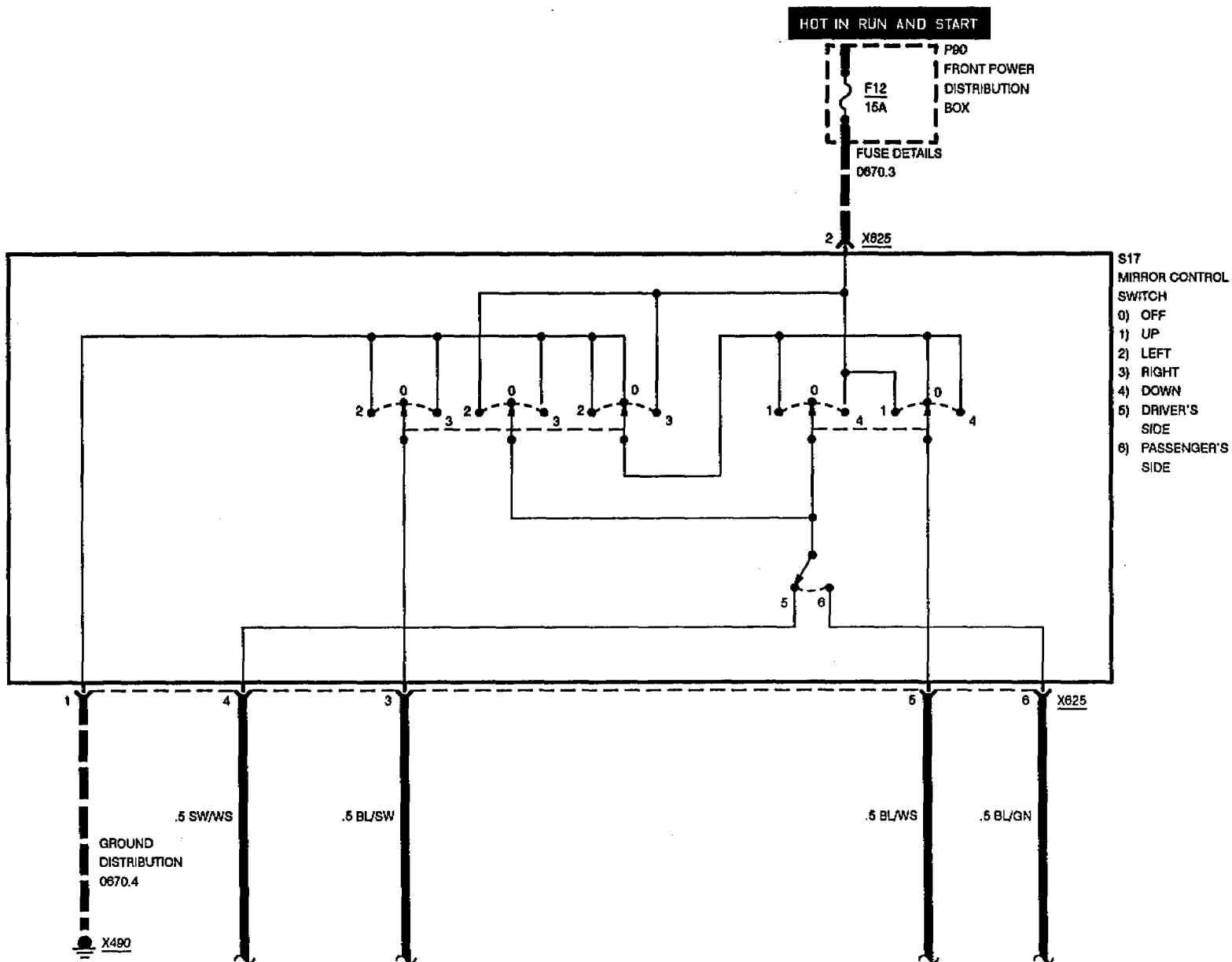


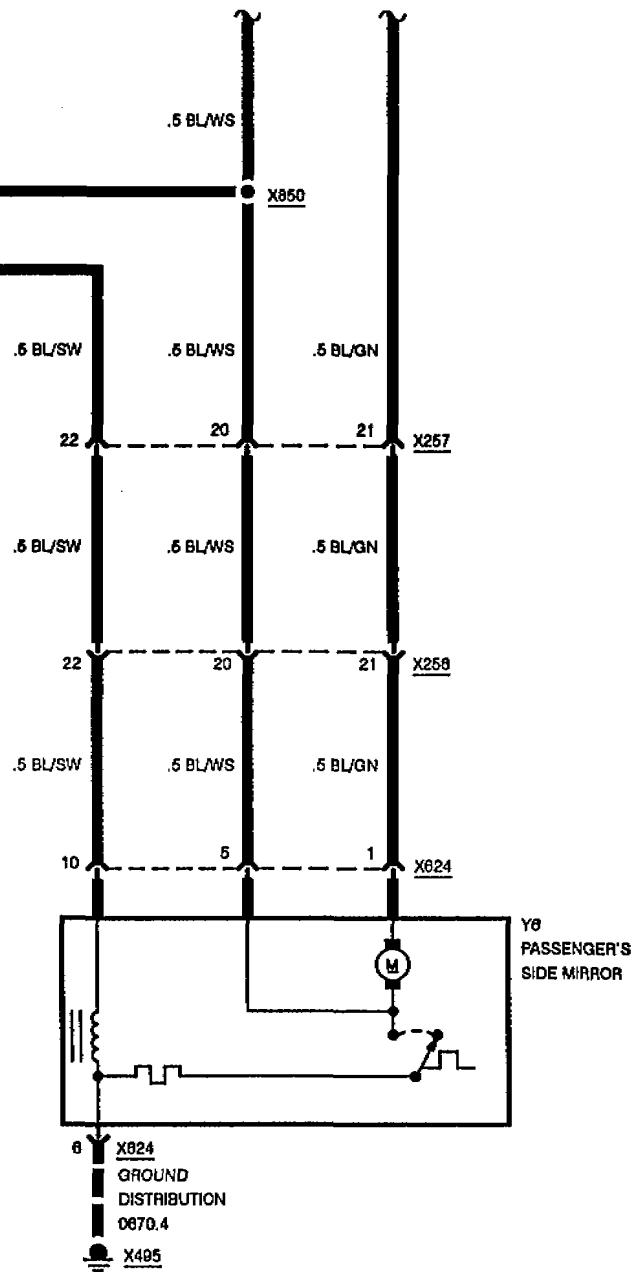
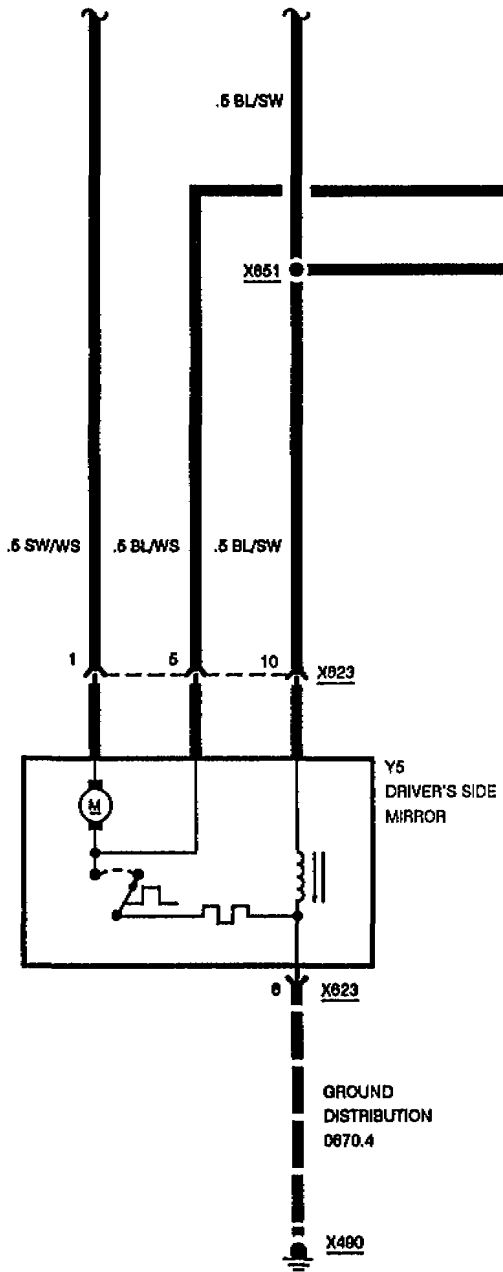
BMW
8

5116.0



POWER MIRRORS OUTSIDE MIRRORS

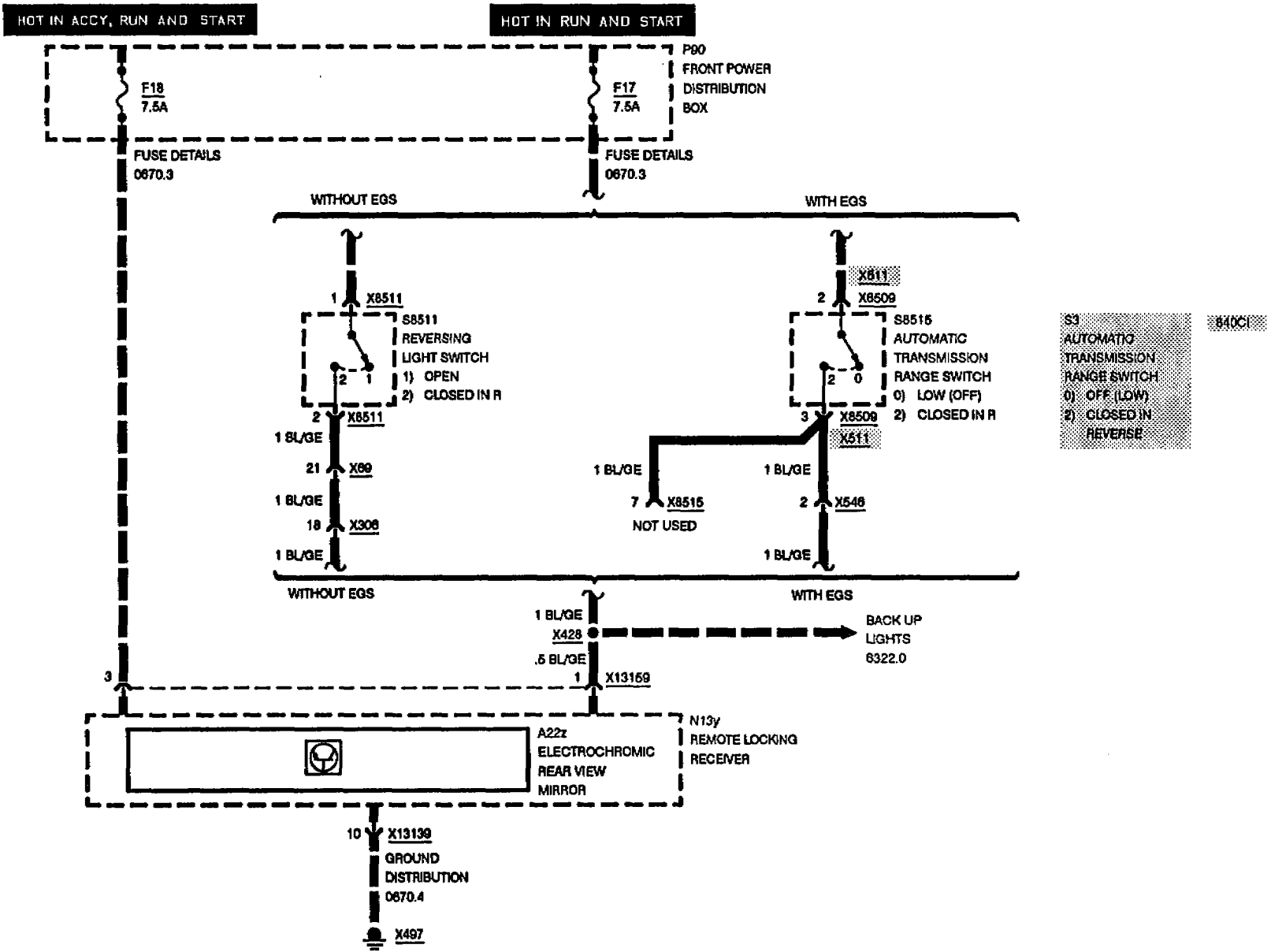






POWER MIRRORS

INSIDE MIRROR

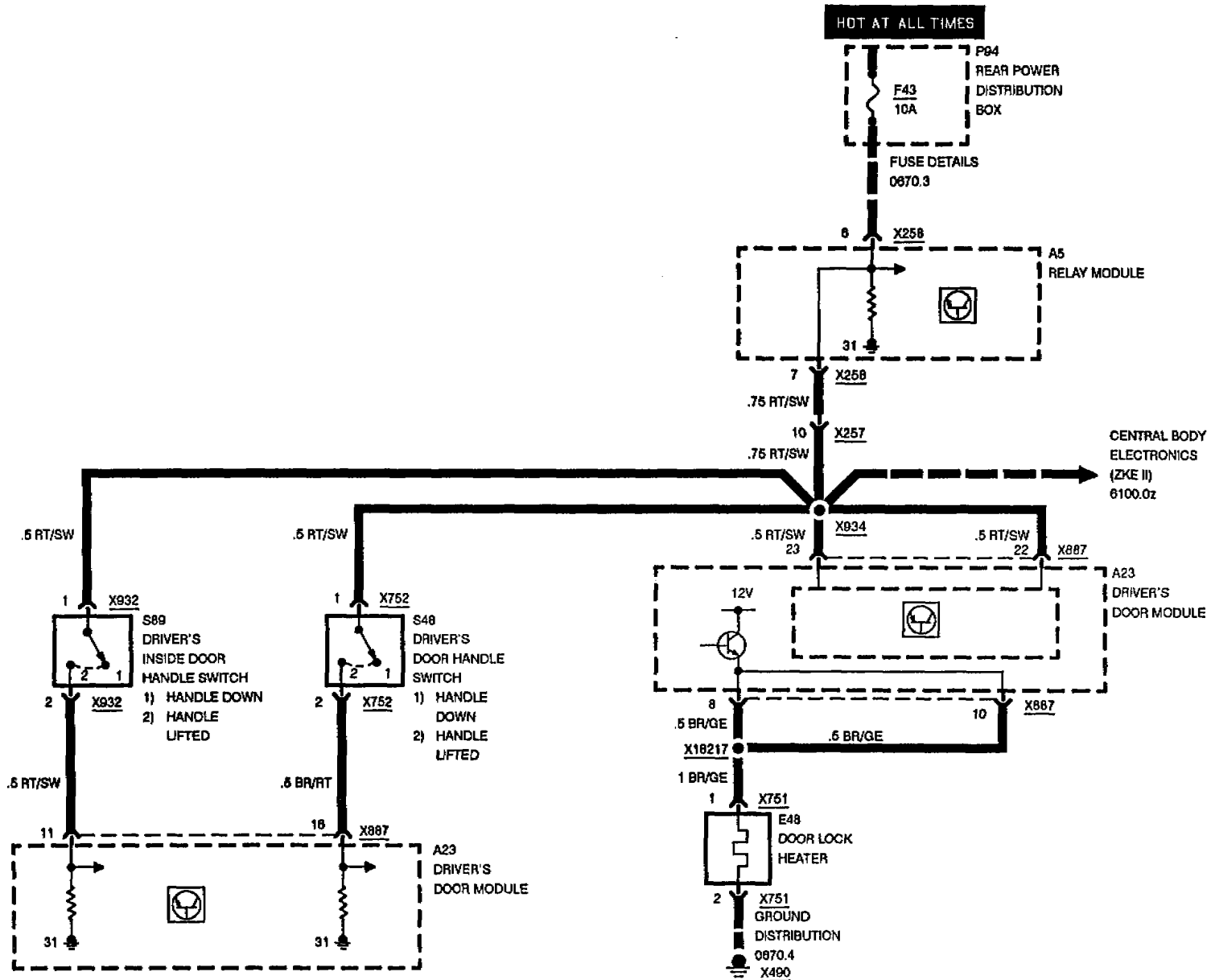


BMW
8

5120.0



ZKE DOOR LOCK HEATING (TSH)



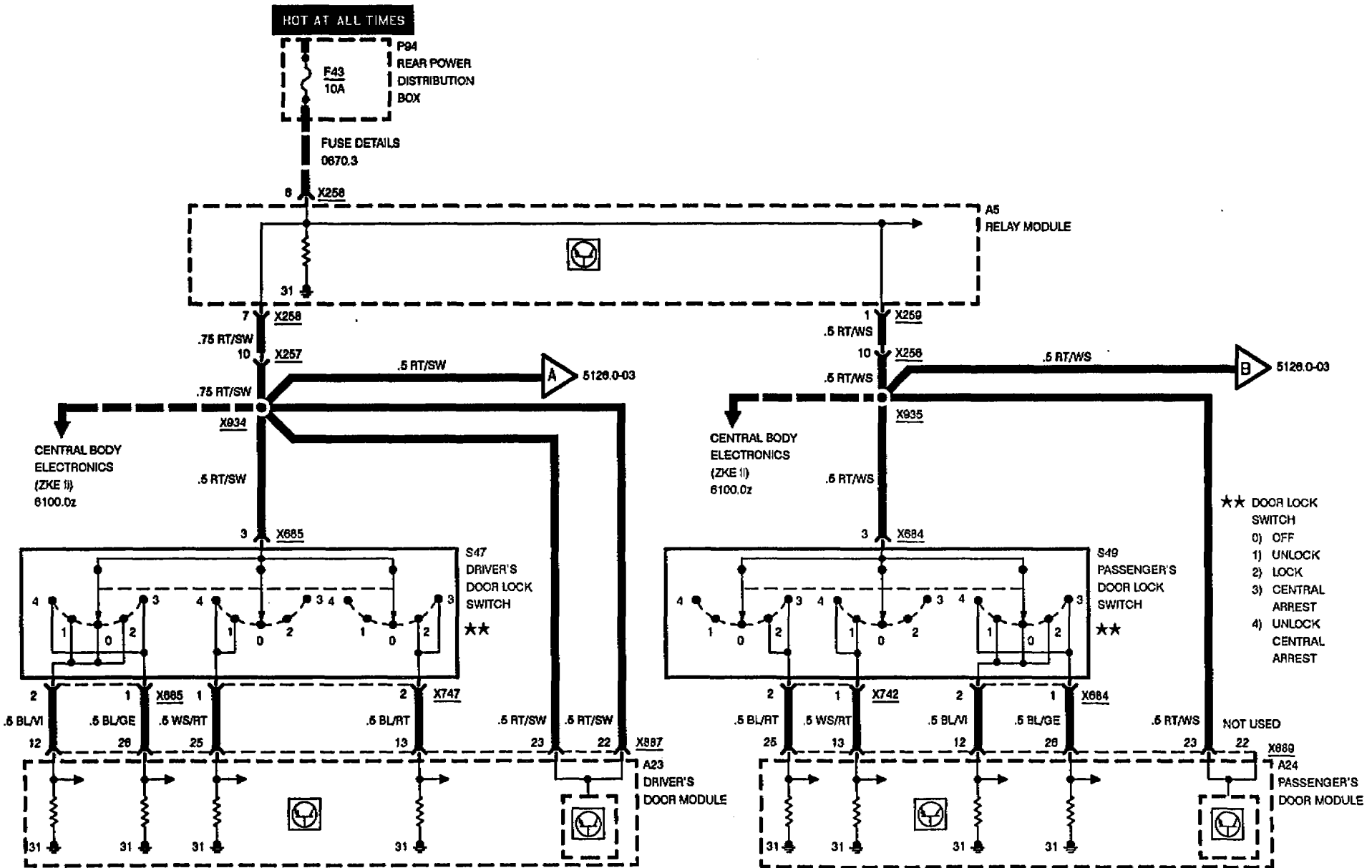
BMW
8

5126.0



ZKE CENTRAL LOCKING (ZV)

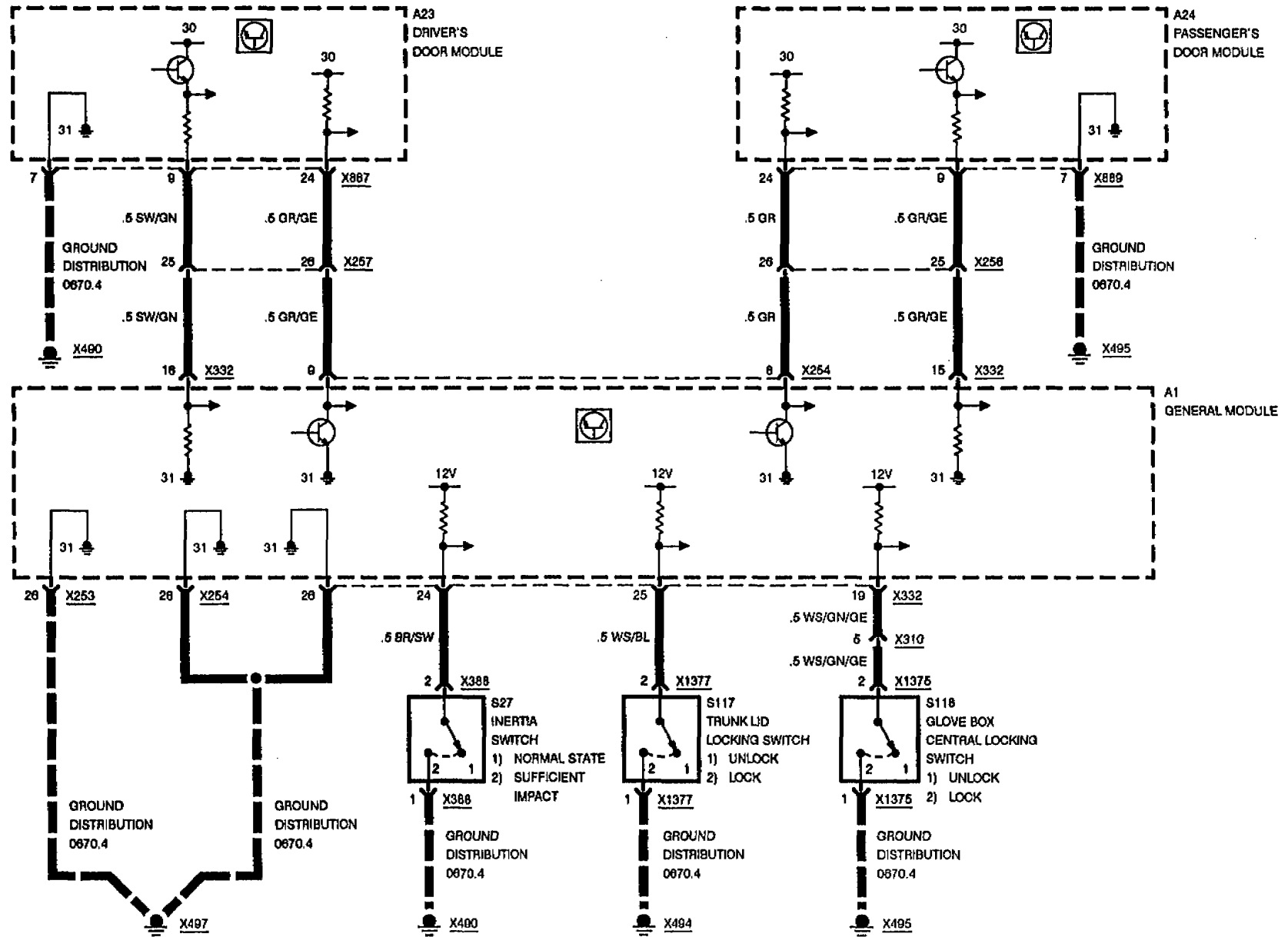
(INPUTS)





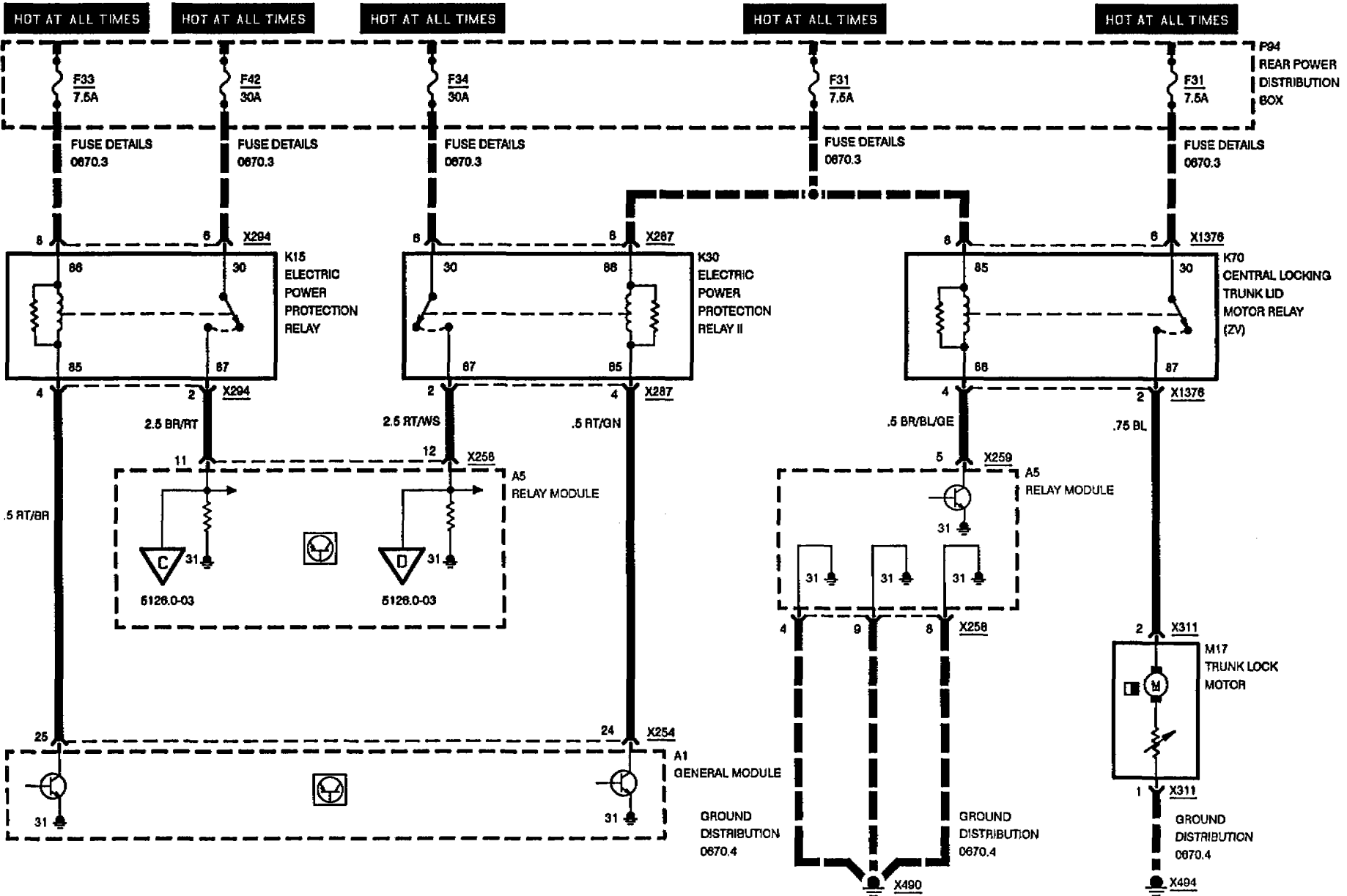
ZKE CENTRAL LOCKING (ZV)

(INPUTS)



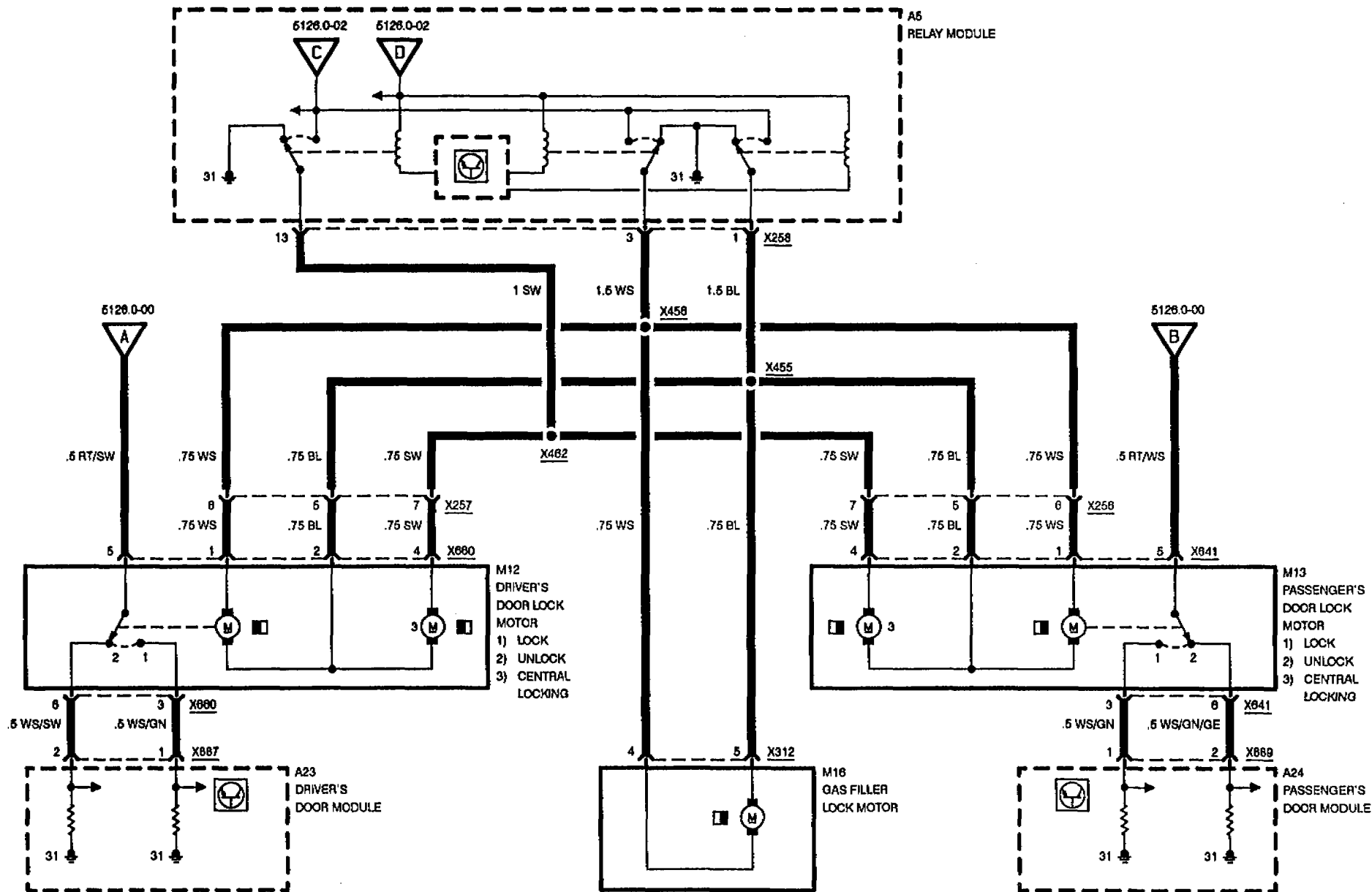


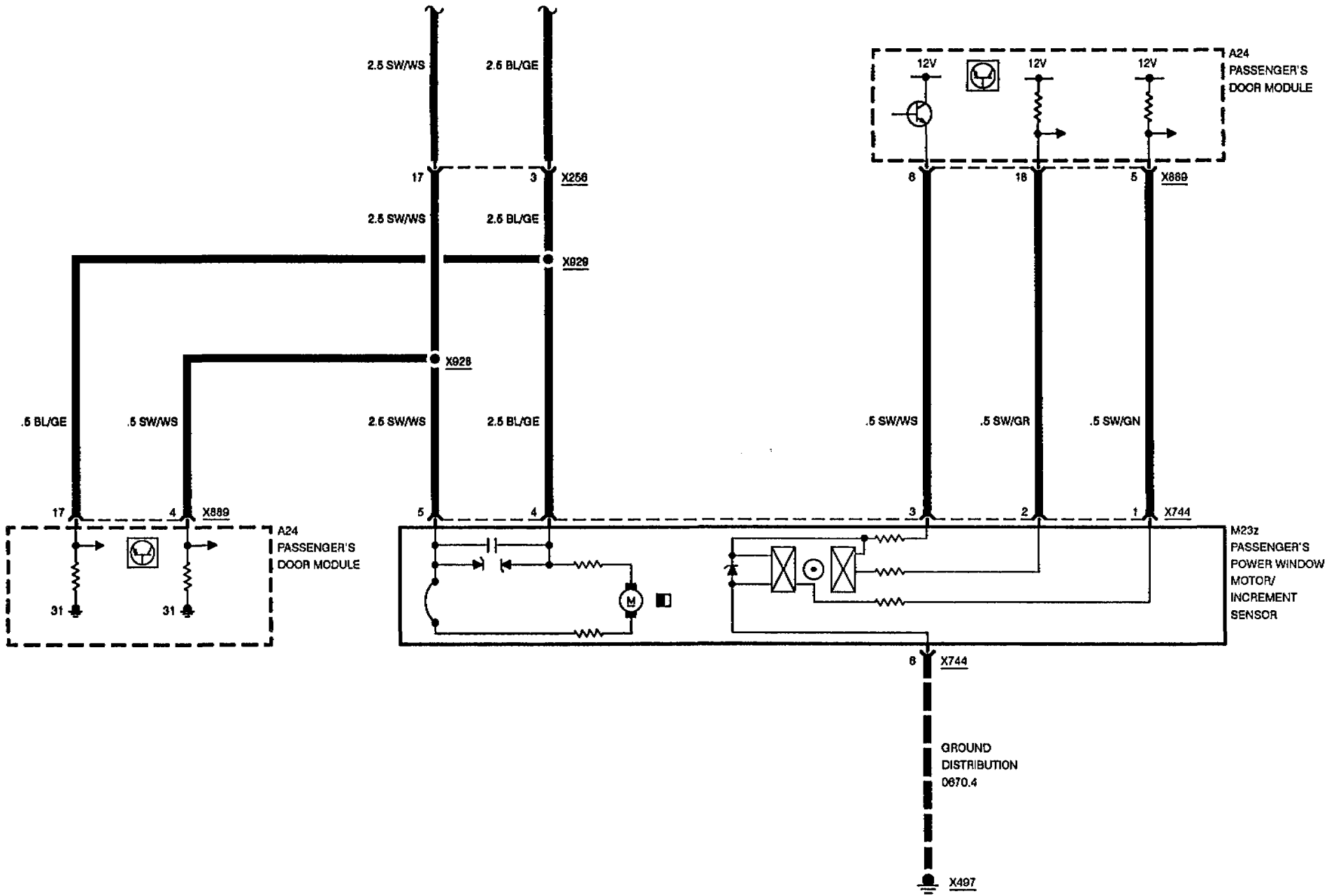
ZKE CENTRAL LOCKING (ZV)





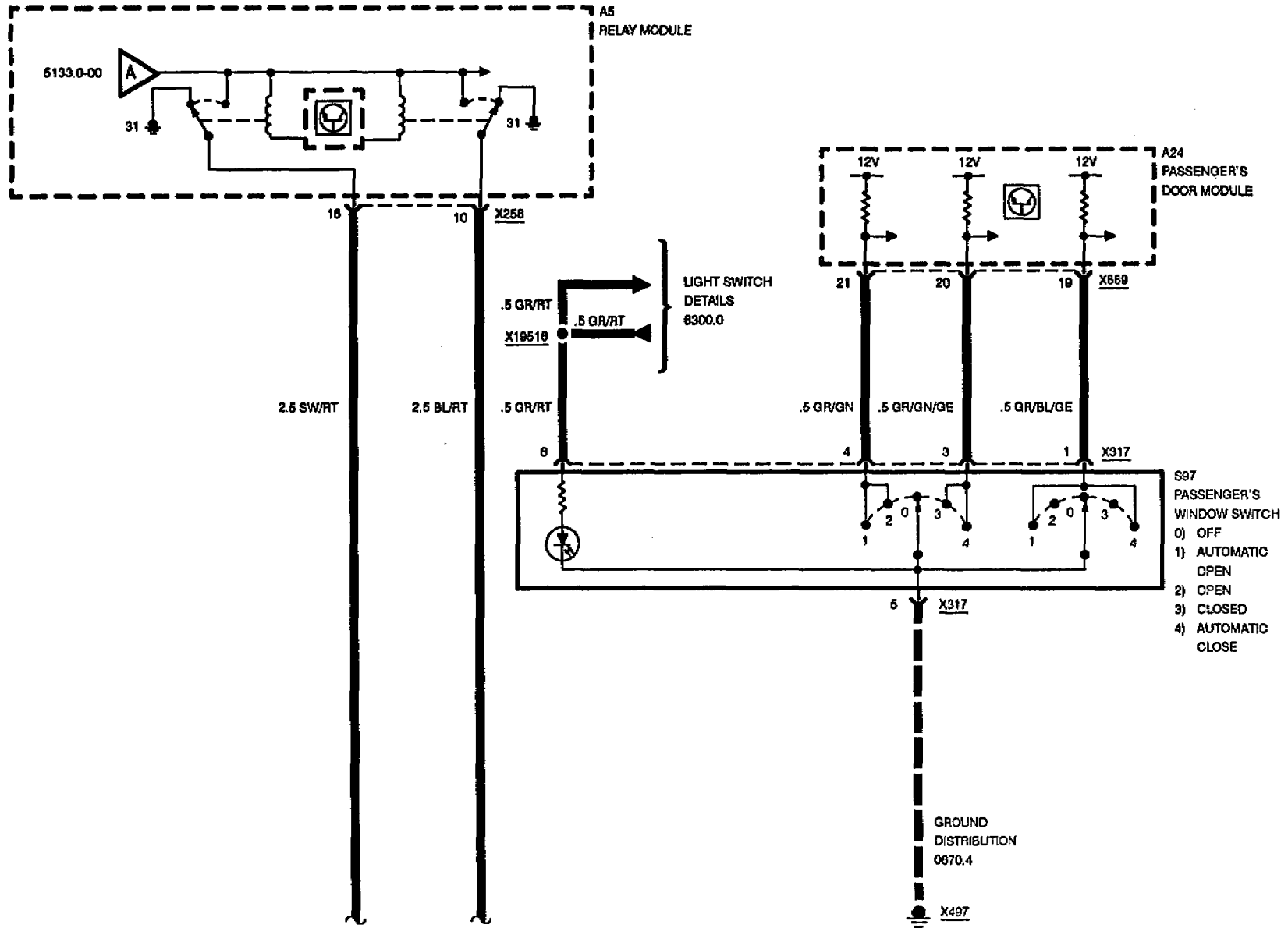
ZKE CENTRAL LOCKING (ZV) (OUTPUTS)

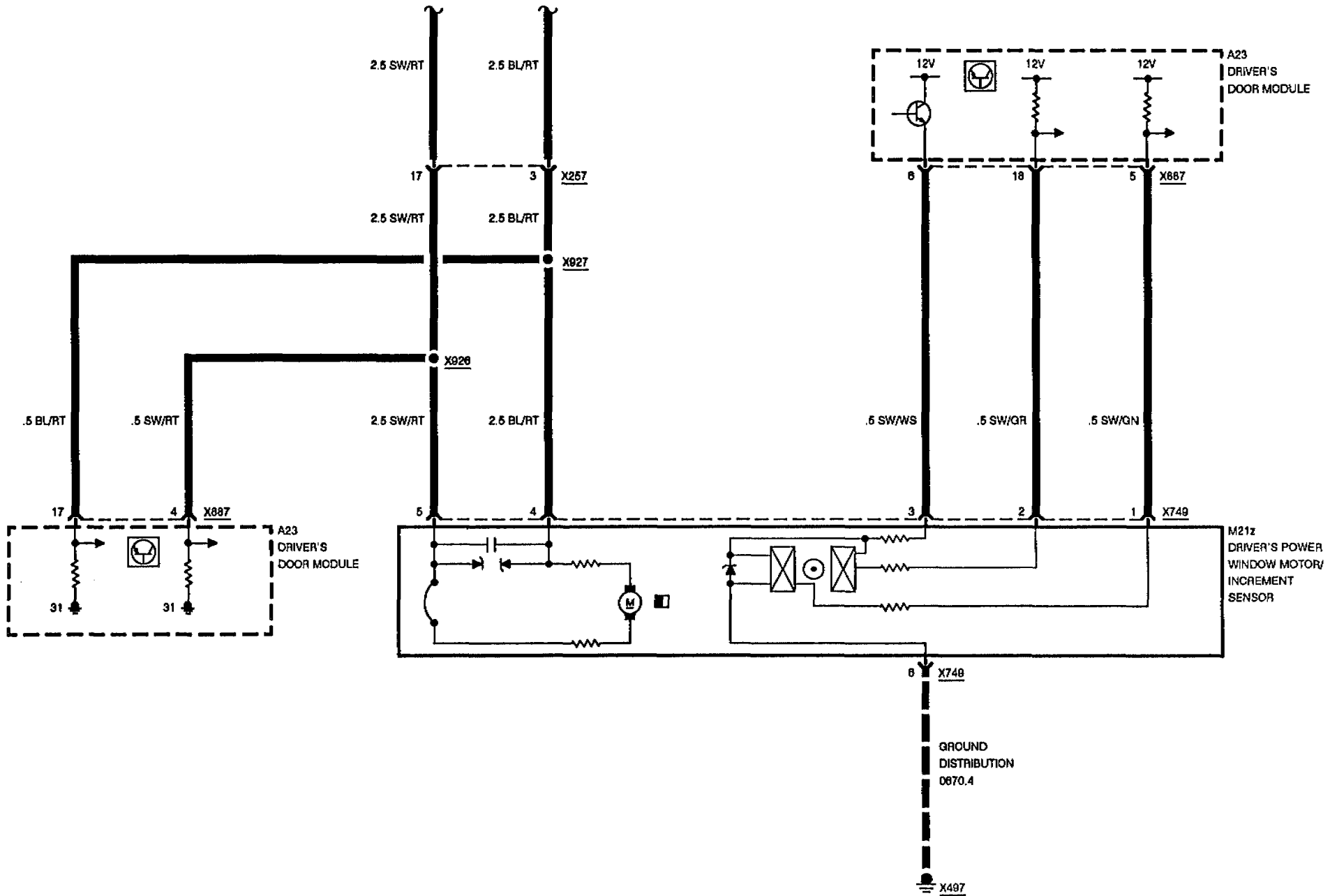






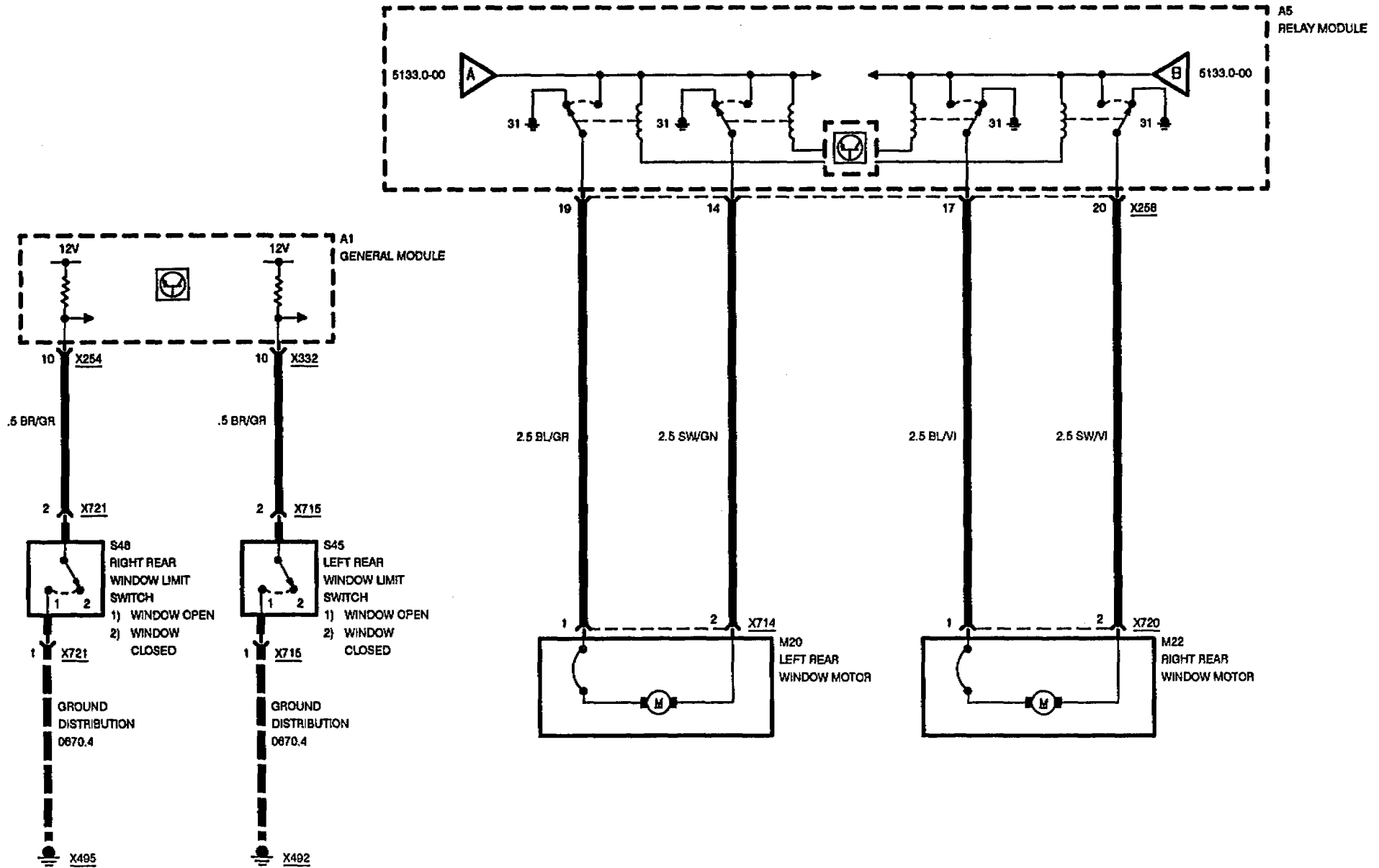
ZKE POWER WINDOWS (FH)







ZKE POWER WINDOWS (FH)



09/93

5133.0-04

1994

BMW
8

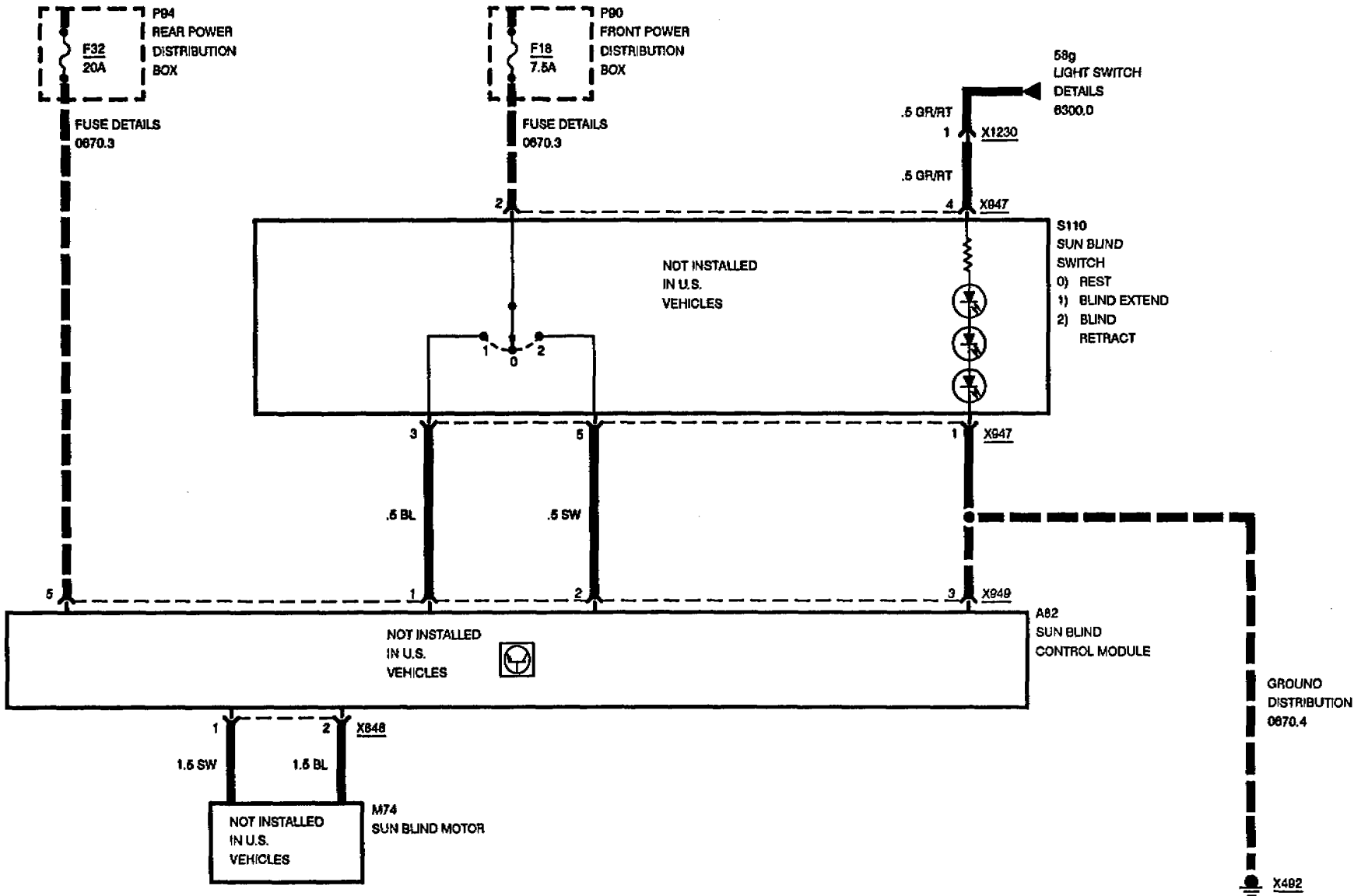
5146.0



POWER SUN SHADES

HOT AT ALL TIMES

HOT IN ACCY, RUN OR START



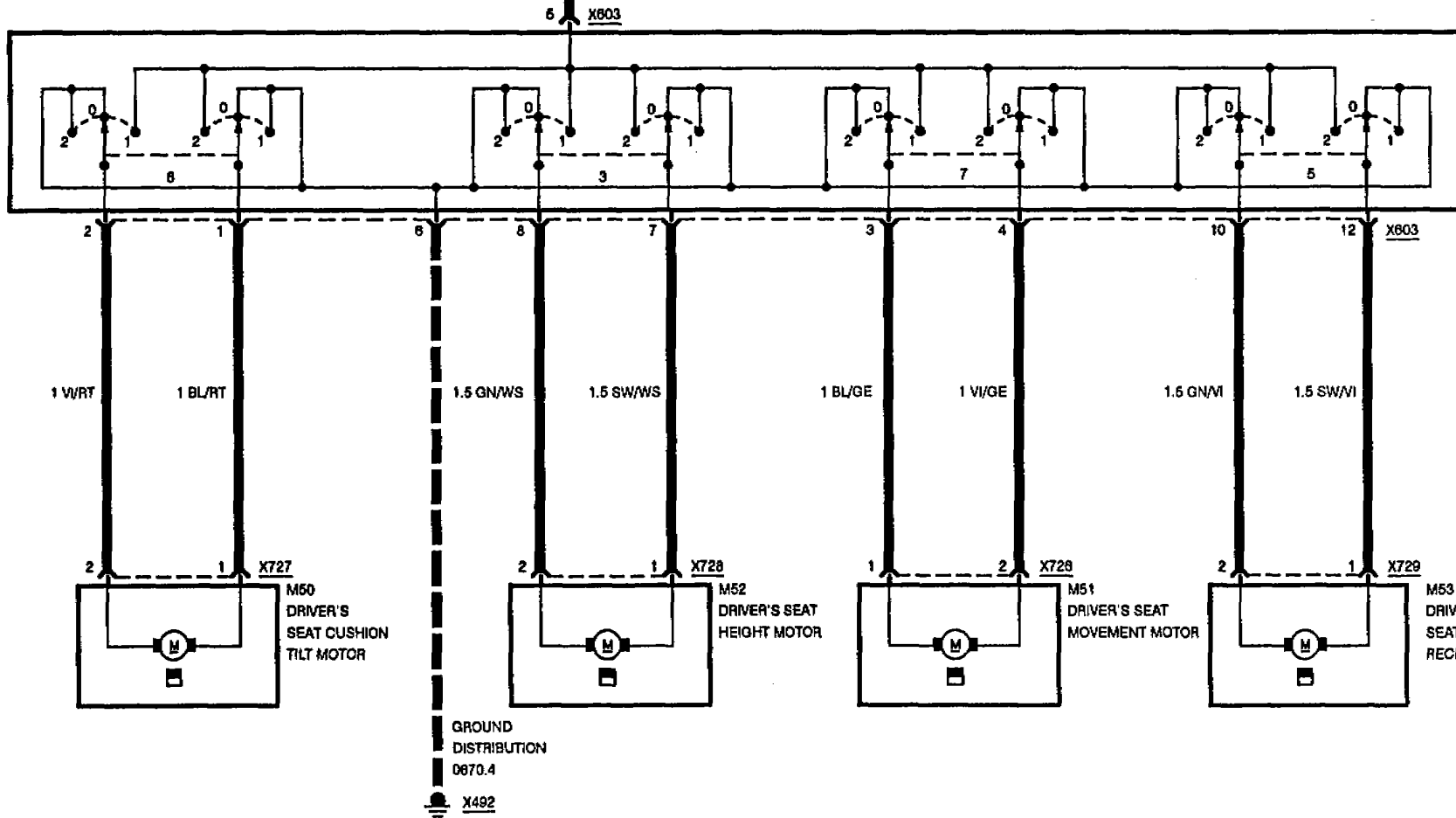
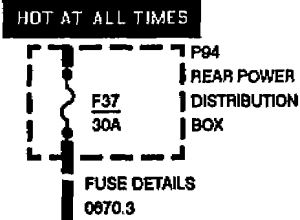
BMW
8

5200.0



POWER SEATS

DRIVER'S SEAT



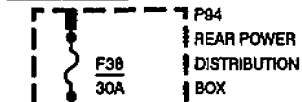
- S51 DRIVER'S SEAT, SEAT CONTROL SWITCH
- 3) SEAT HEIGHT SWITCH
 - 0) OFF
 - 1) UP
 - 2) DOWN
 - 5) SEATBACK SWITCH
 - 0) OFF
 - 1) FRONT
 - 2) BACK
 - 6) SEAT CUSHION TILT SWITCH
 - 0) OFF
 - 1) UP
 - 2) DOWN
 - 7) SEAT POSITION SWITCH
 - 0) OFF
 - 1) FRONT
 - 2) BACK



POWER SEATS

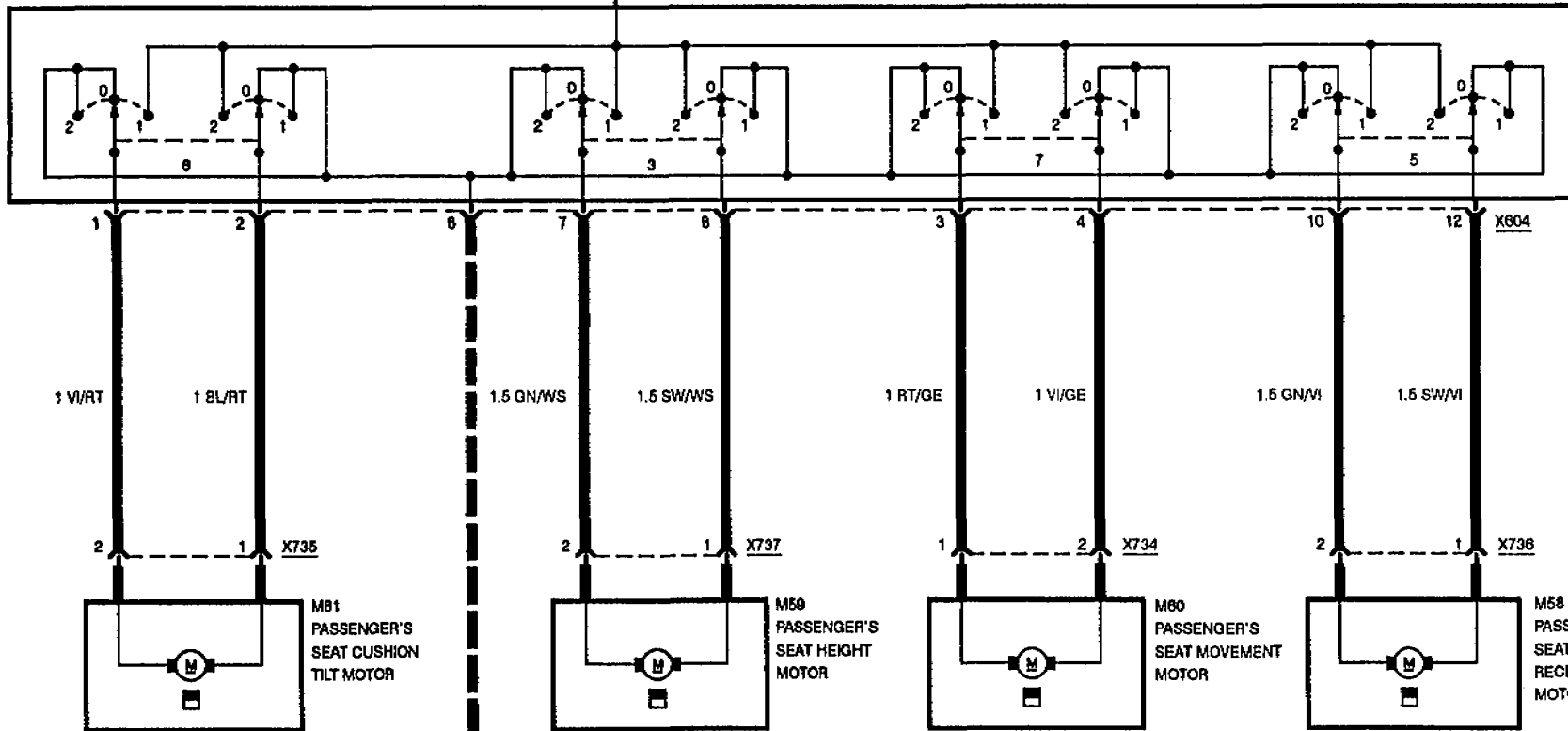
PASSENGER'S SEAT

HOT AT ALL TIMES



FUSE DETAILS
0870.3

5 X604



S58
PASSENGER'S
SEAT,
SEAT CONTROL
SWITCH

- 3) SEAT HEIGHT SWITCH
- 0) OFF
- 1) UP
- 2) DOWN
- 5) SEATBACK SWITCH
- 0) OFF
- 1) FRONT
- 2) BACK
- 6) SEAT CUSHION TILT SWITCH
- 0) OFF
- 1) UP
- 2) DOWN
- 7) SEAT POSITION SWITCH
- 0) OFF
- 1) FRONT
- 2) BACK

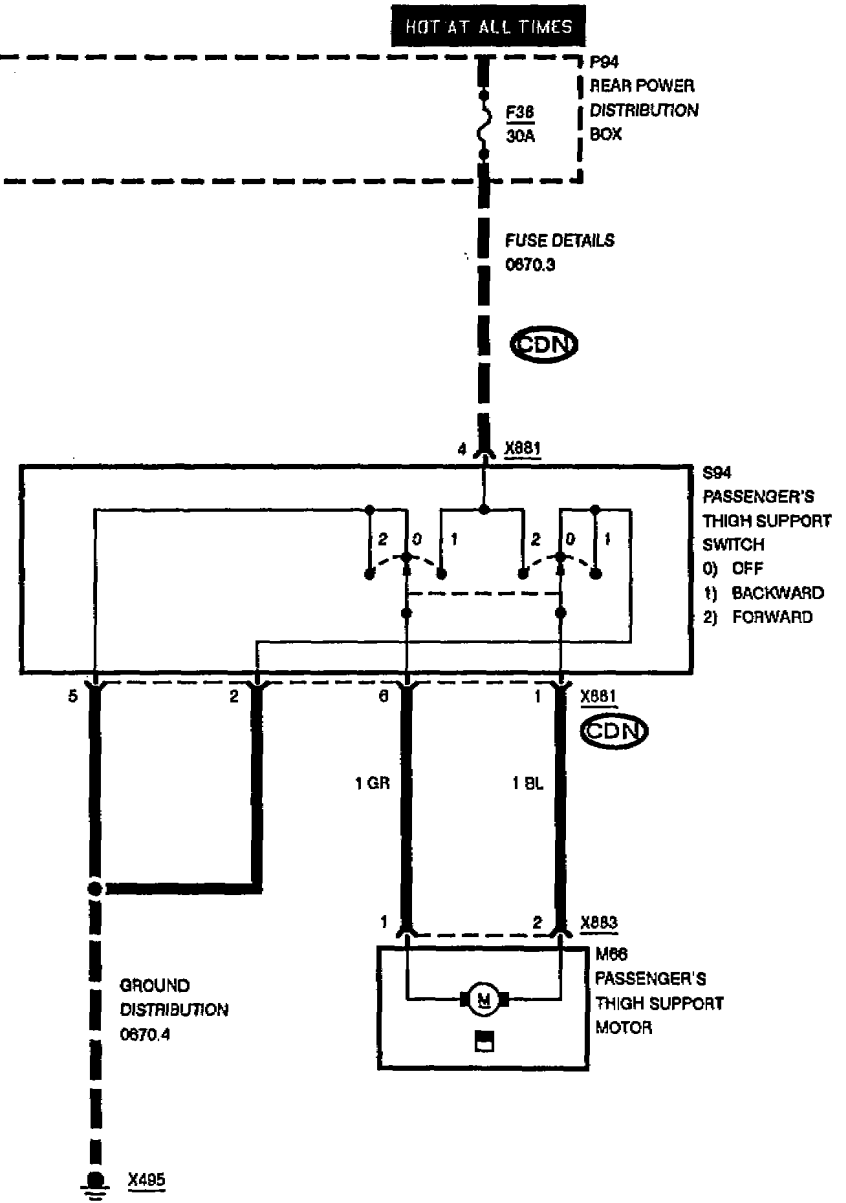
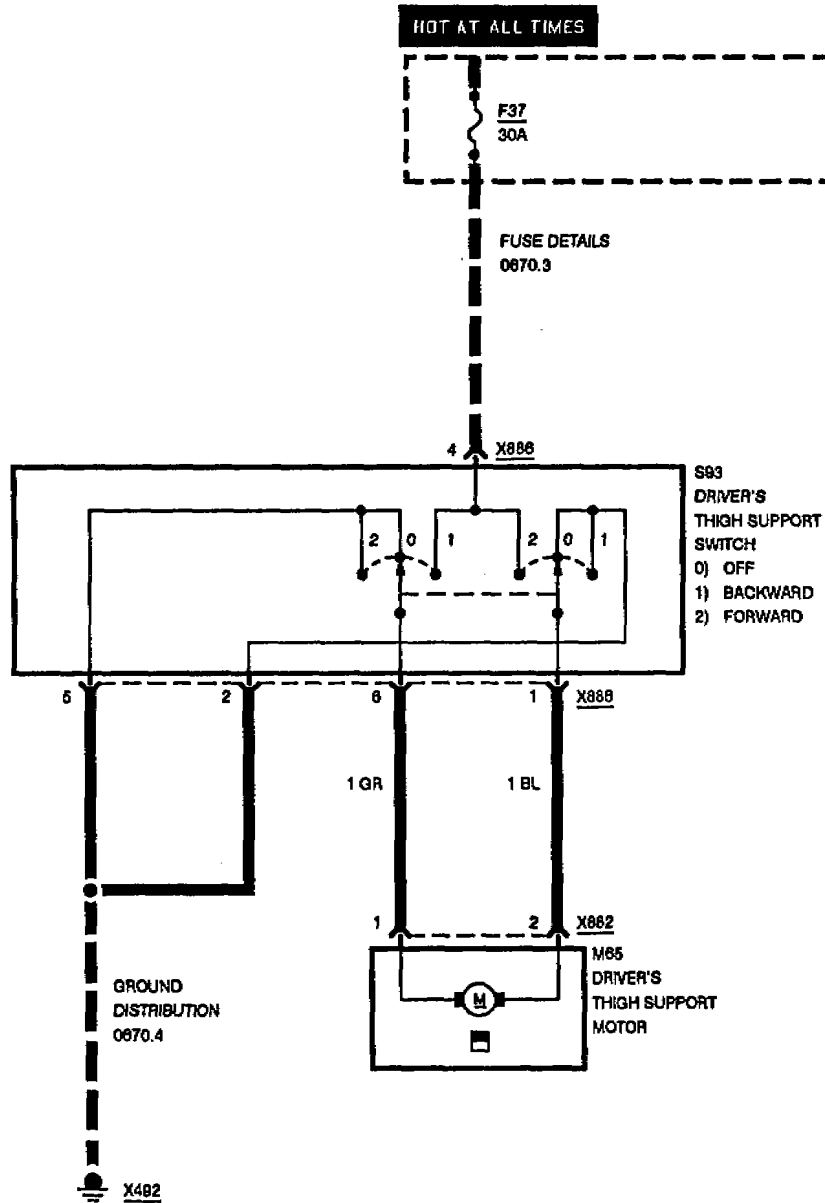
GROUND
DISTRIBUTION
0870.4

X485



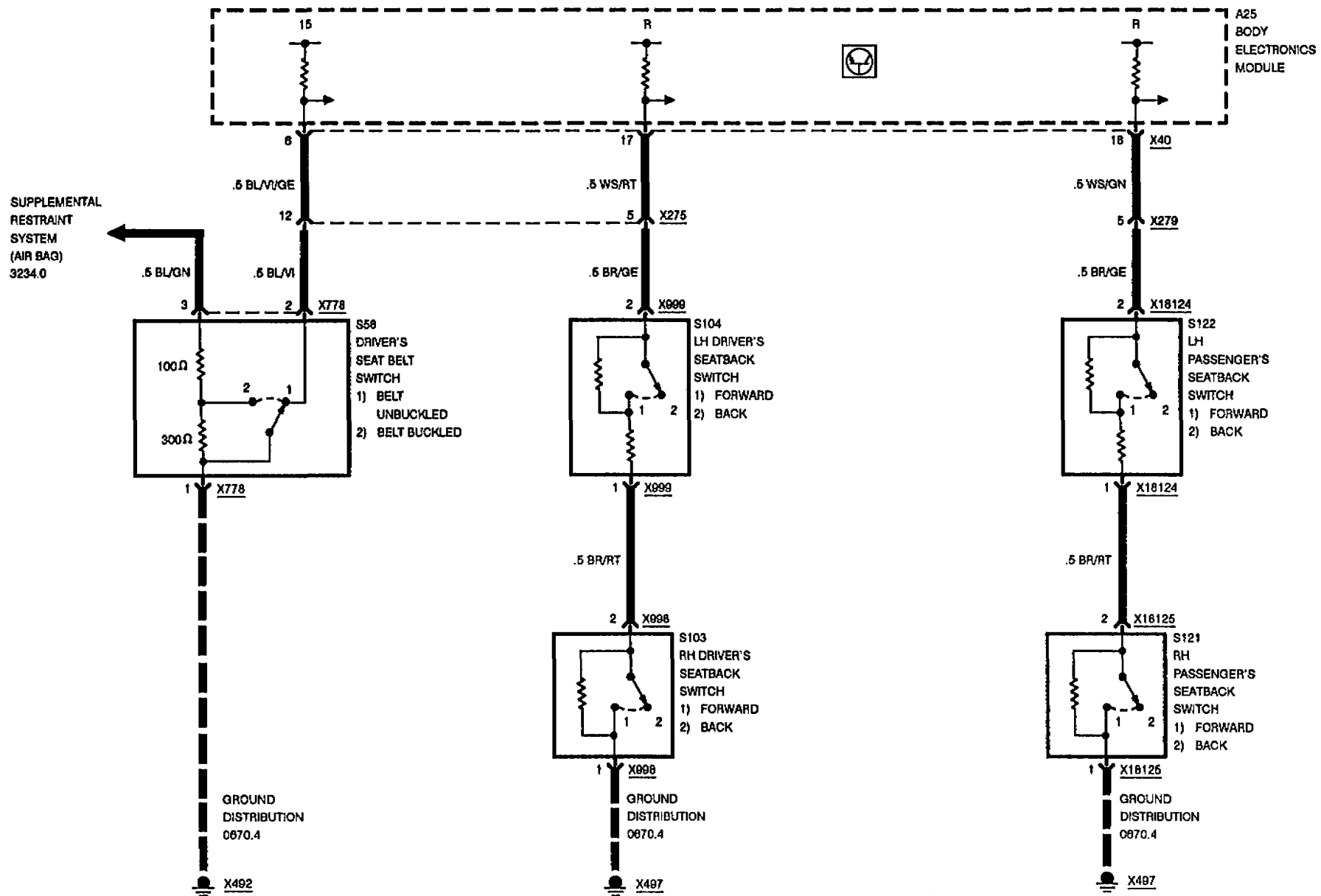
POWER SEATS

THIGH SUPPORT



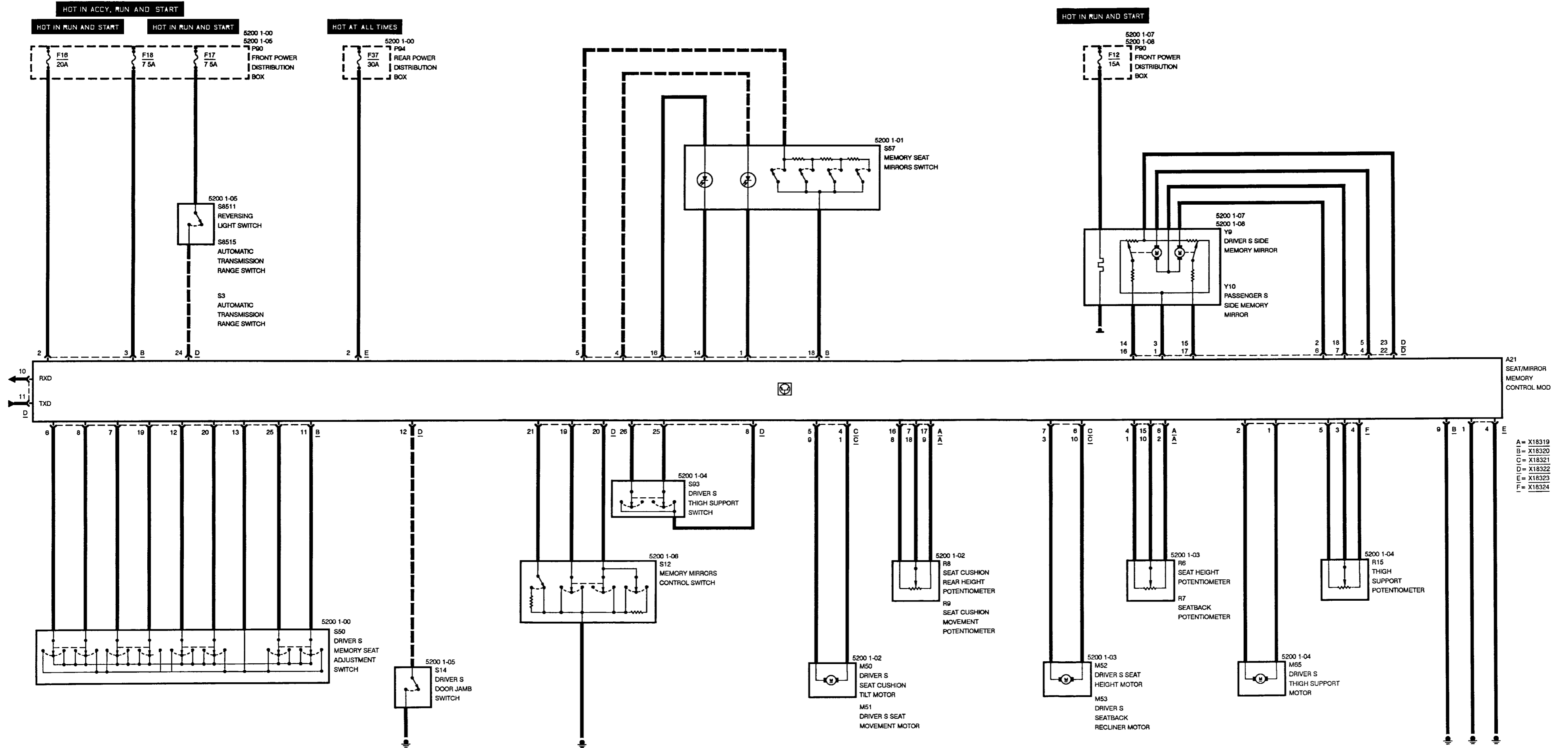


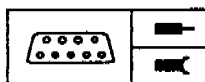
POWER SEATS





5200.0-04





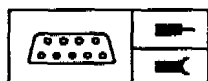
Pin Assignments

A=X18319	18 pins, black
B=X18320	26 pins, white
C=X18321	10 pins, black
D=X18322	26 pins, black
E=X18323	4 pins, black
F=X18324	5 pins, black

X18319

Pin	Type	Description/Function	Connection
1	A	Potentiometer voltage	Driver's seat back potentiometer
2	M	Ground	Driver's seat back potentiometer
3		Not used	
4	A	Potentiometer voltage	Driver's seat height potentiometer
5		Not used	
6	M	Ground	Driver's seat height potentiometer
7	E	Seat rear height signal	Driver's seat rear height potentiometer
8	A	Potentiometer voltage	Driver's seat movement potentiometer
9	M	Ground	Driver's seat movement potentiometer
10	E	Seat back position signal	Driver's seat back potentiometer
11		Not used	
12		Not used	
13		Not used	
14		Not used	
15	E	Seat height position signal	Driver's seat height potentiometer
16	A	Potentiometer voltage	Driver's seat rear height potentiometer
17	M	Ground	Driver's seat rear height potentiometer
18	E	Seat cushion position signal	Driver's seat movement potentiometer

E = Input, A = Output, M = Ground

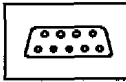


Pin Assignments

X18320

Pin	Type	Description/Function	Connection
1	E	Memory switch connection	Memory switch
2	E	Terminal 15 voltage	Fuse
3	E	Terminal R voltage	Fuse
4	E	Memory switch connection	Memory switch
5	E	Memory switch pin 1	Memory switch
6	E	Seat movement forward	Seat adjustment switch
7	E	Tilt up	Seat adjustment switch
8	E	Seat movement back	Seat adjustment switch
9	M	Ground	Ground point
10		Not used	
11	E	Backrest back	Seat adjustment switch
12	E	Height up	Seat adjustment switch
13	M	Ground	Seat adjustment switch
14	A	Illumination	Memory switch
15		Not used	
16	A	Illumination	Memory switch
17		Not used	
18	E	Memory switch connection	Memory switch
19	E	Tilt down	Seat adjustment switch
20	E	Height down	Seat adjustment switch
21		Not used	
22		Not used	
23		Not used	
24		Not used	
25	E	Backrest forward	Seat adjustment switch
26		Not used	

E = Input, A = Output, M = Ground



Pin Assignments

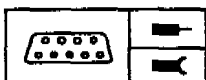
X18321

Pin	Type	Description/Function	Connection
1	E/A	Motor voltage/ground	Driver's seat movement motor
2		Not used	
3	E/A	Motor voltage/ground	Driver's seat back recliner motor
4	E/A	Motor voltage/ground	Driver's seat cushion tilt motor
5	E/A	Motor voltage/ground	Driver's seat cushion tilt motor
6	E/A	Motor voltage/ground	Driver's seat height motor
7	E/A	Motor voltage/ground	Driver's seat height motor
8		Not used	
9	E/A	Motor voltage/ground	Driver's seat movement motor
10	E/A	Motor voltage/ground	Driver's seat back recliner motor

X18322

Pin	Type	Description/Function	Connection
1	E	Potentiometer connection	Passenger's mirror
2	A	Connection, driver's mirror adjustment motor	Driver's mirror
3	M	Ground	Driver's mirror
4	A	Connection, passenger's mirror adjustment motor	Passenger's mirror
5	A	Connection, driver's mirror adjustment motor	Driver's mirror
6	A	Connection, passenger's mirror adjustment motor	Passenger's mirror
7	A	Connection, passenger's mirror adjustment motor	Passenger's mirror
8	M	Ground	Thigh support switch
9		Not used	
10	A	Diagnosis (RxD)	Data link connector
11	E	Diagnosis (TxD)	Data link connector
12	E	Driver's door status	Driver's door jamb switch

E = Input, A = Output, M = Ground



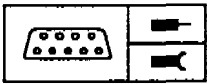
Pin Assignments

Pin	Type	Description/Function	Connection
13		Not used	
14	E	Potentiometer connection	Driver's mirror
15	E	Potentiometer connection	Driver's mirror
16	E	Potentiometer connection	Passenger's mirror
17	E	Potentiometer connection	Passenger's mirror
18	A	Connection, driver's mirror adjustment motor	Driver's mirror
19	E	Mirror adjustment	Mirror control switch
20	E	Mirror adjustment	Mirror control switch
21	E	Mirror adjustment	Mirror control switch
22	E	Potentiometer connection	Passenger's mirror
23	E	Potentiometer connection	Driver's mirror
24	E	Reverse gear signal	Back-up switch
25	E	Thigh support forward	Thigh support switch
26	E	Thigh support backward	Thigh support switch

X18323

Pin	Type	Description/Function	Connection
1	M	Ground	Ground point
2	E	Terminal 30 voltage	Fuse
3		Not used	
4	M	Ground	Ground point

E = Input, A = Output, M = Ground



Pin Assignments

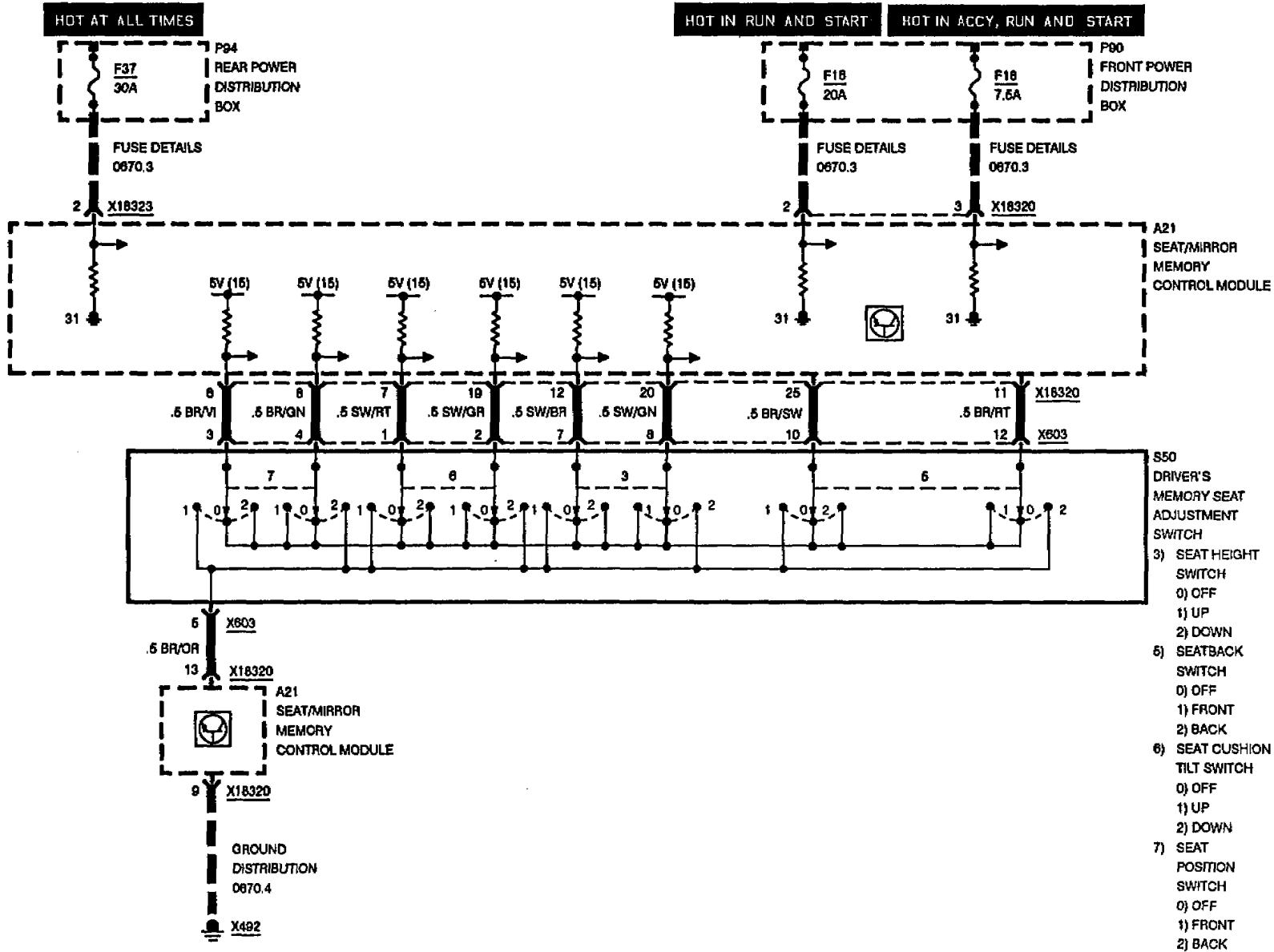
X18324

1	E/A	Motor voltage/ground	Driver's seat thigh support motor
2	E/A	Motor voltage/ground	Driver's seat thigh support motor
3	E	Thigh support position signal	Driver's seat thigh support potentiometer
4	M	Ground	Driver's seat thigh support potentiometer
5	A	Potentiometer voltage	Driver's seat thigh support potentiometer
6		Not used	

E = Input, A = Output, M = Ground

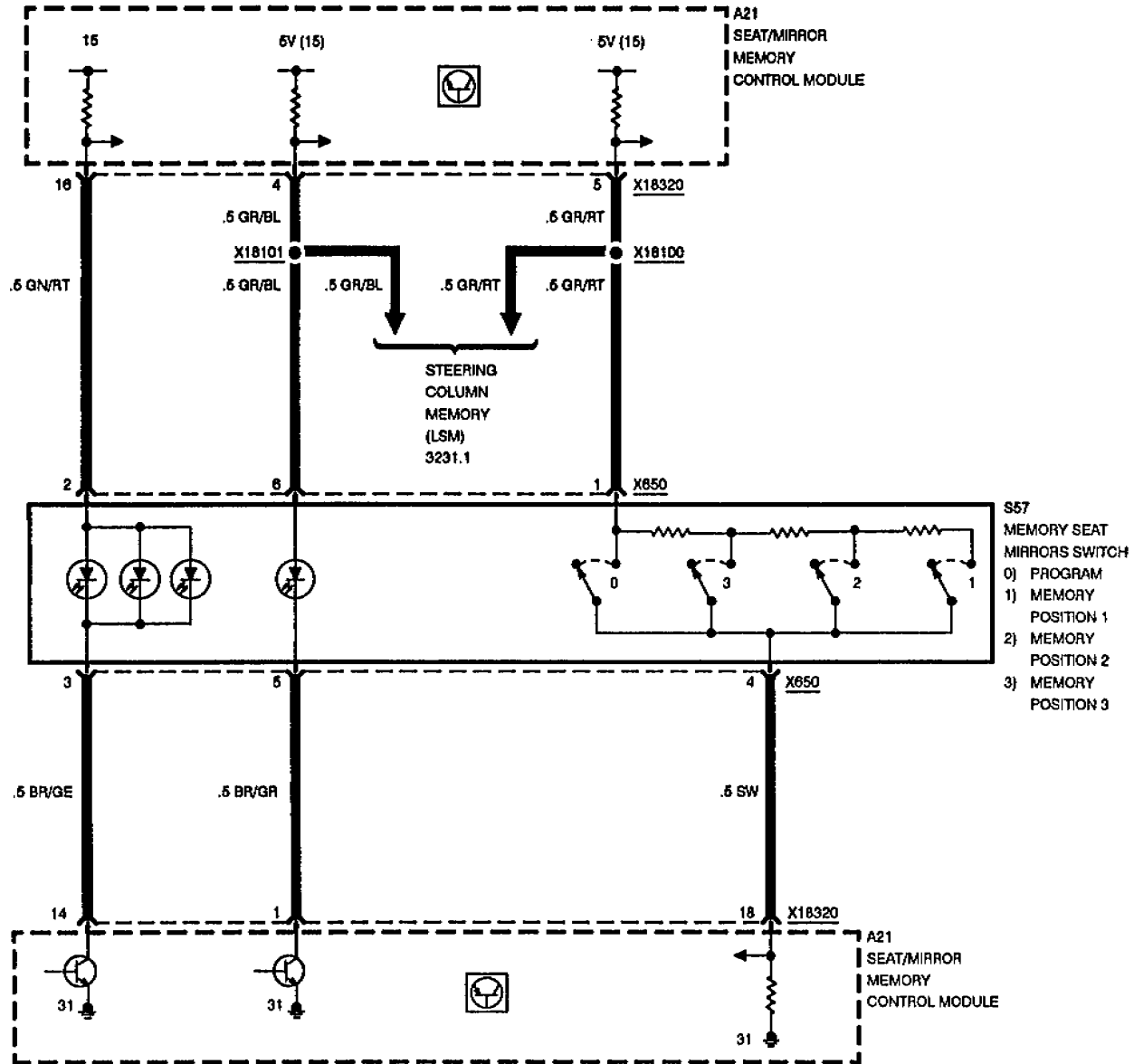


SEAT/MIRROR MEMORY SYSTEM (SM/SPM)





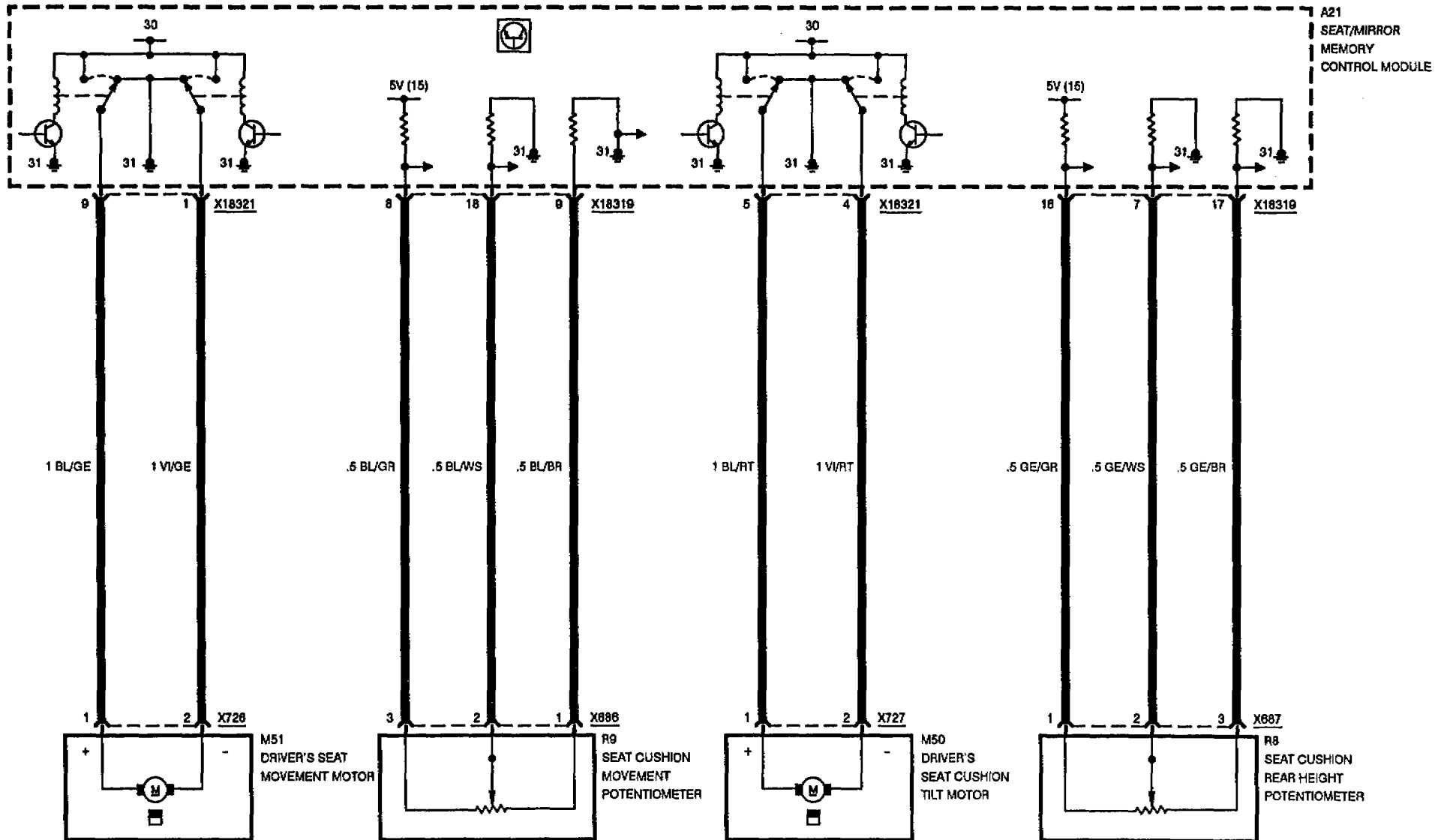
SEAT/MIRROR MEMORY SYSTEM (SM/SPM)





SEAT/MIRROR MEMORY SYSTEM (SM/SPM)

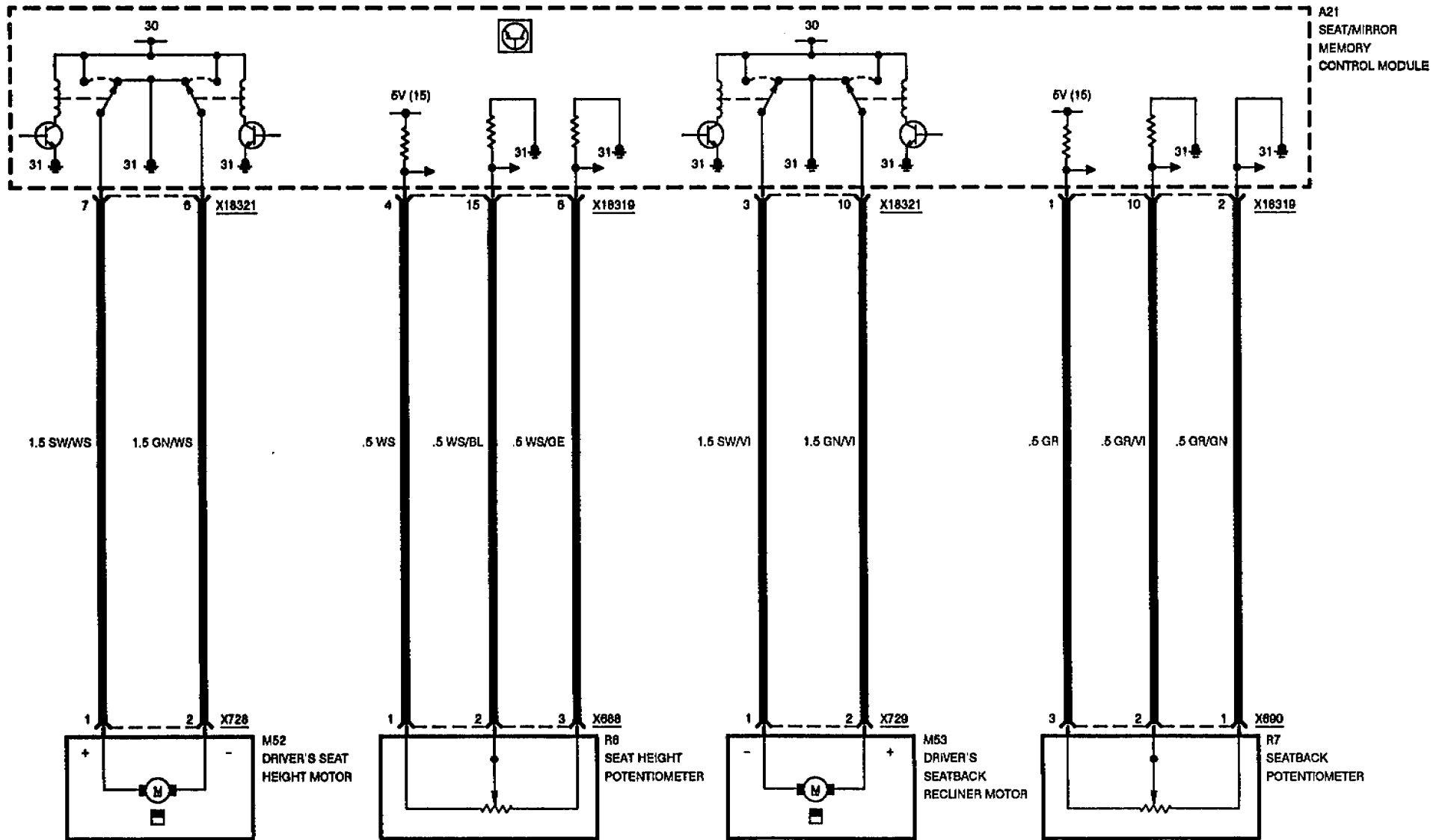
SEAT





SEAT/MIRROR MEMORY SYSTEM (SM/SPM)

SEAT

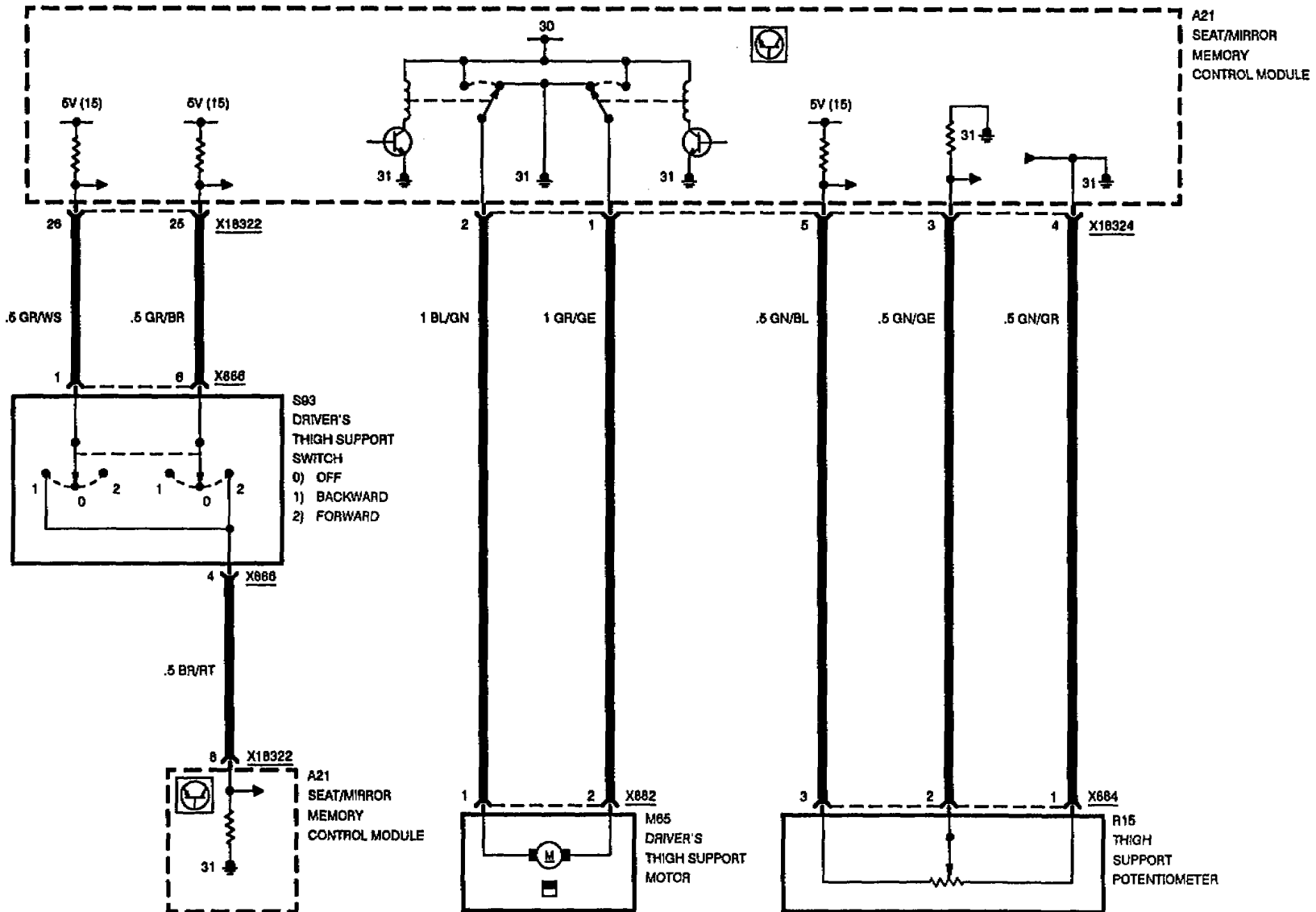




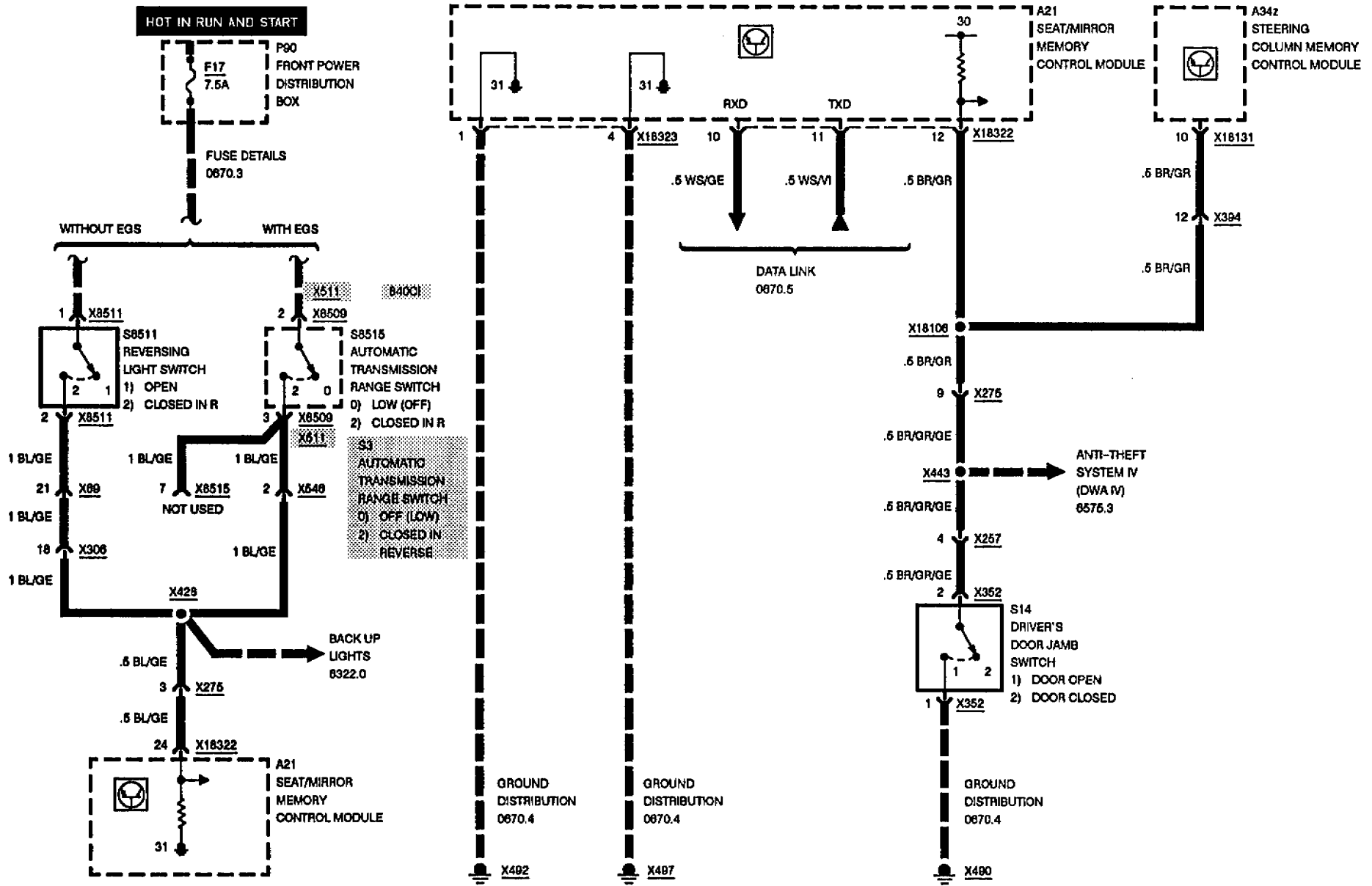
SEAT/MIRROR MEMORY SYSTEM (SM/SPM)

WITH SPORT SEAT

CDN



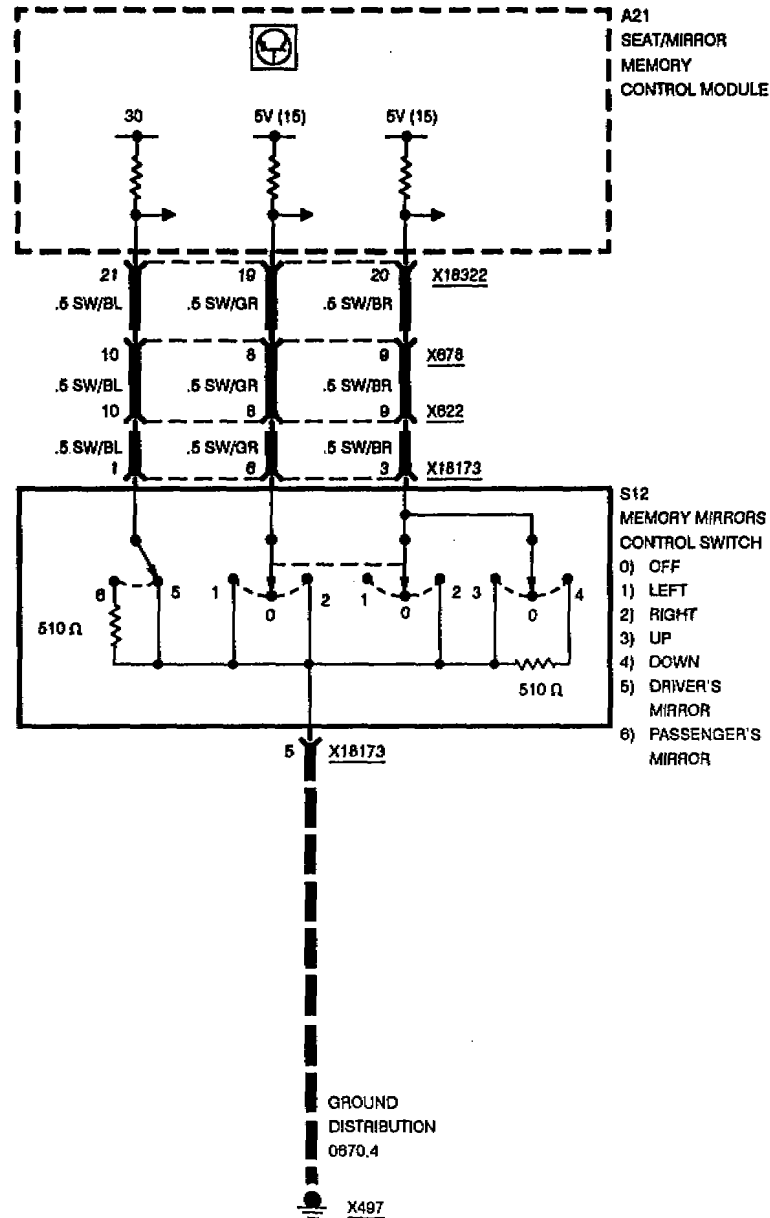
SEAT/MIRROR MEMORY SYSTEM (SM/SPM)





SEAT/MIRROR MEMORY SYSTEM (SM/SPM)

MIRROR

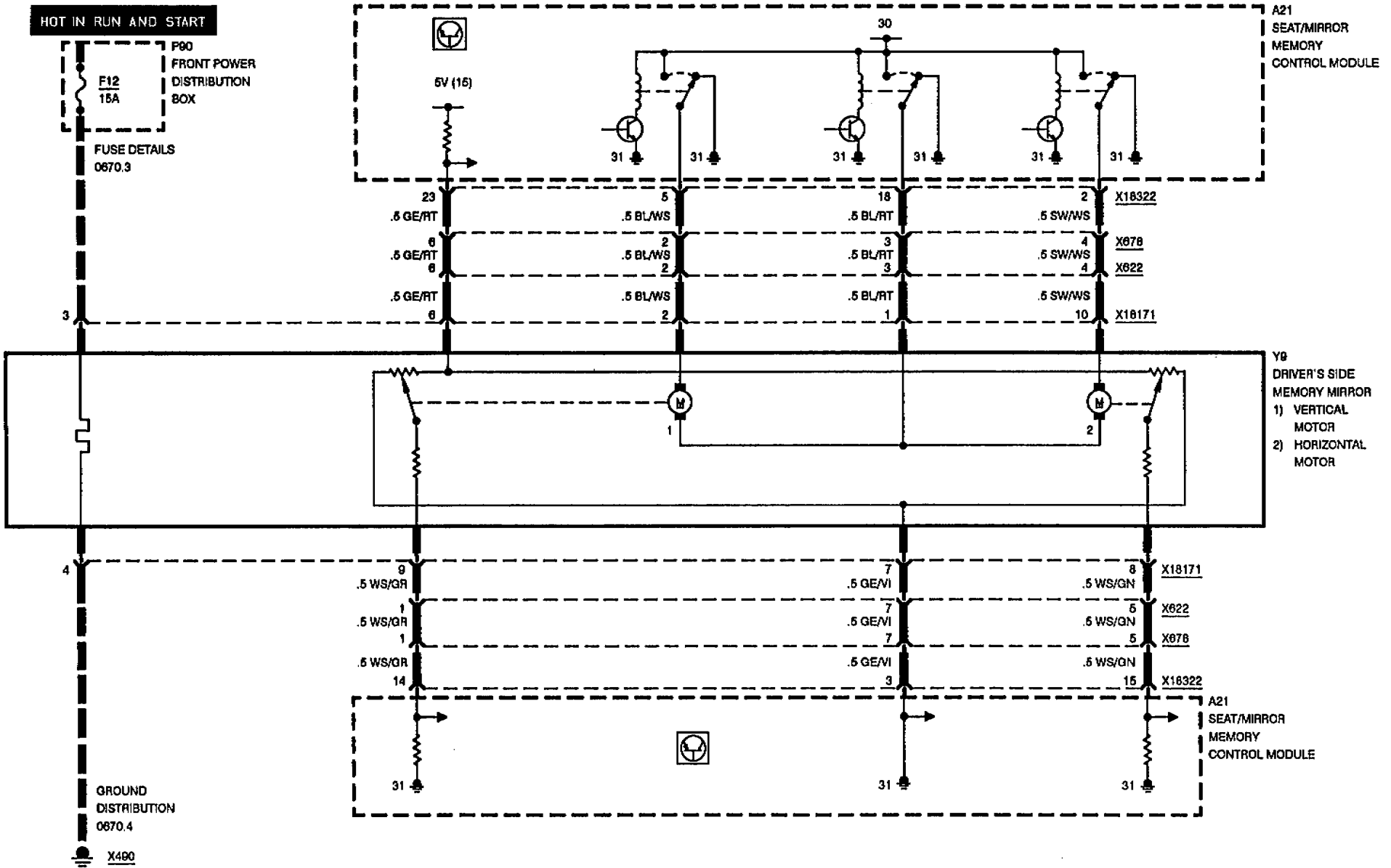




SEAT/MIRROR MEMORY SYSTEM (SM/SPM)

MIRROR

HOT IN RUN AND START

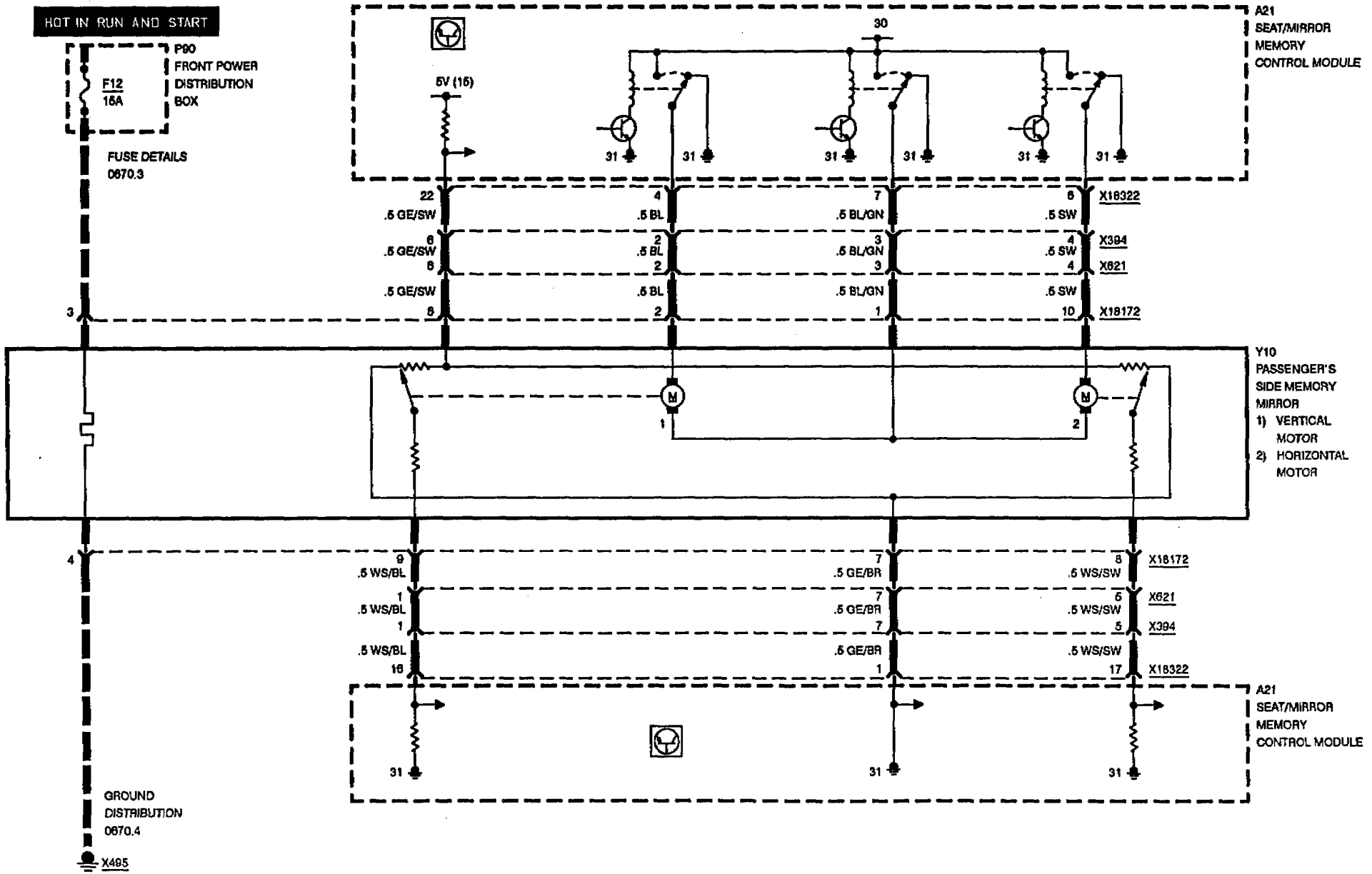




SEAT/MIRROR MEMORY SYSTEM (SM/SPM)

MIRROR

HOT IN RUN AND START

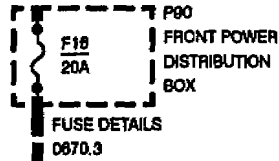






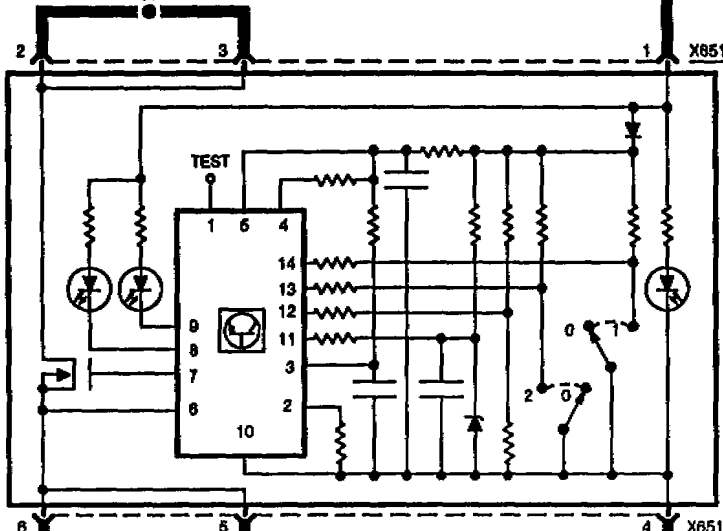
HEATED SEATS

HOT IN RUN AND START



58g LIGHT SWITCH DETAILS 6300.0

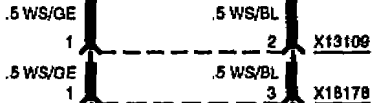
.5 GR/RT



S53 DRIVER'S SEAT SEAT HEATER SWITCH
0) OFF
1) MINIMUM
2) MAXIMUM

X851

X851

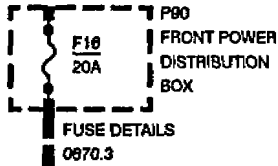


E57 DRIVER'S SEAT HEATER

E58 DRIVER'S SEATBACK HEATER

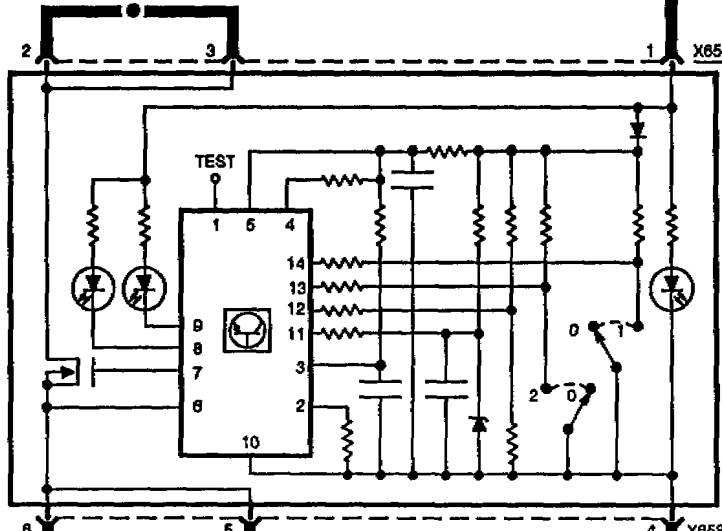


HOT IN RUN AND START



58g LIGHT SWITCH DETAILS 6300.0

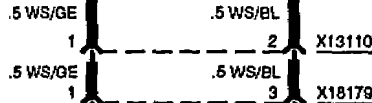
.5 GR/RT



S54 PASSENGER'S SEAT SEAT HEATER SWITCH
0) OFF
1) MINIMUM
2) MAXIMUM

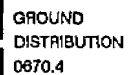
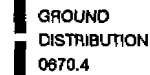
X858

X858



E58 PASSENGER'S SEAT HEATER

E59 PASSENGER'S SEATBACK HEATER

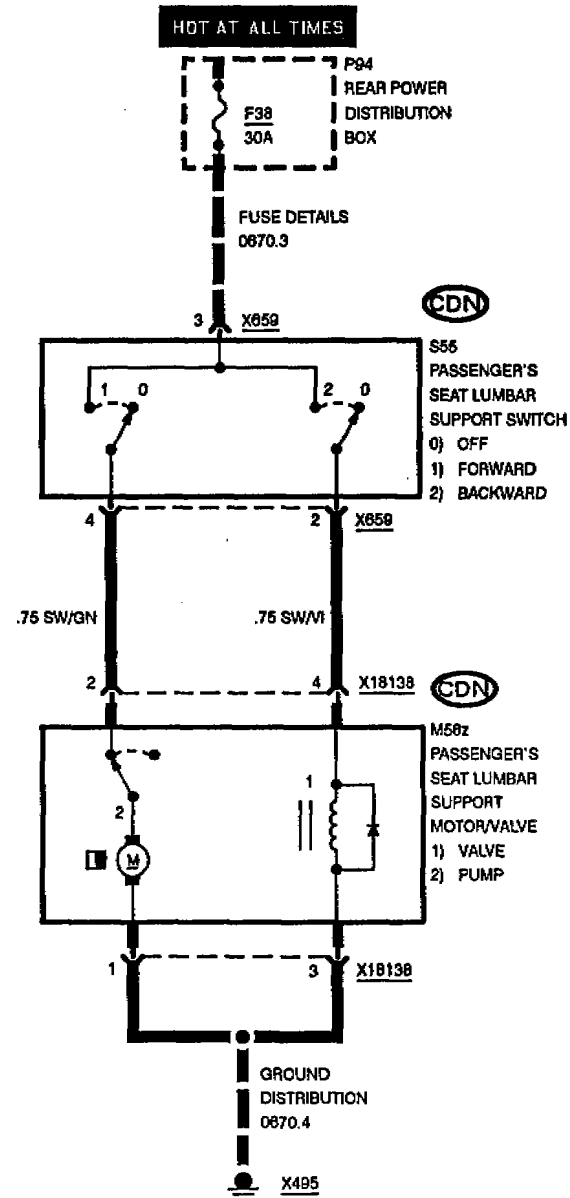
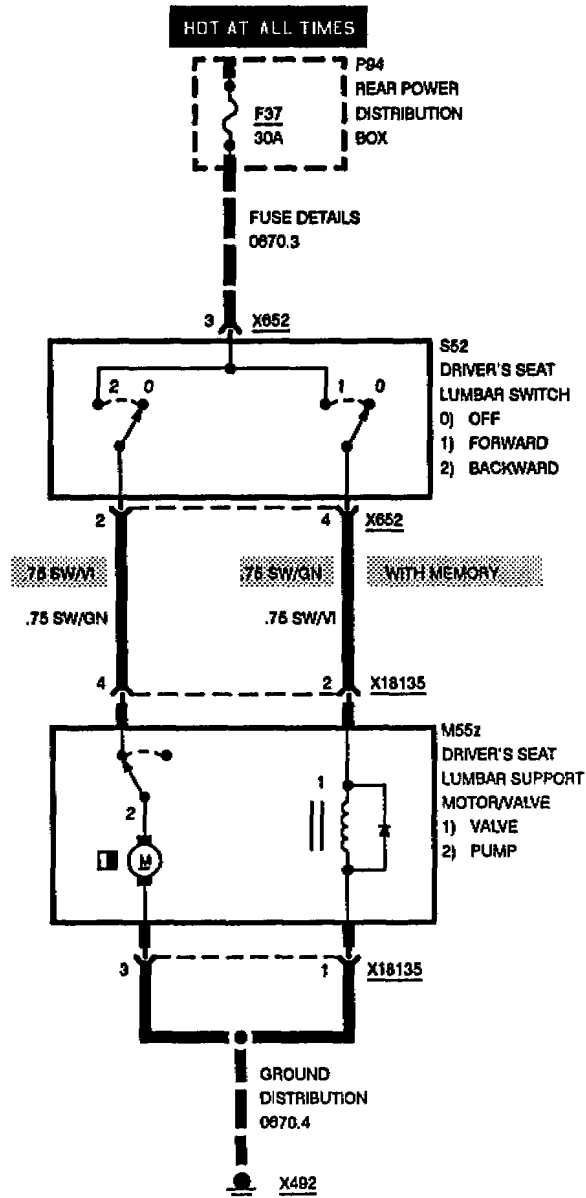


BMW
8

5212.0



LUMBAR SUPPORT

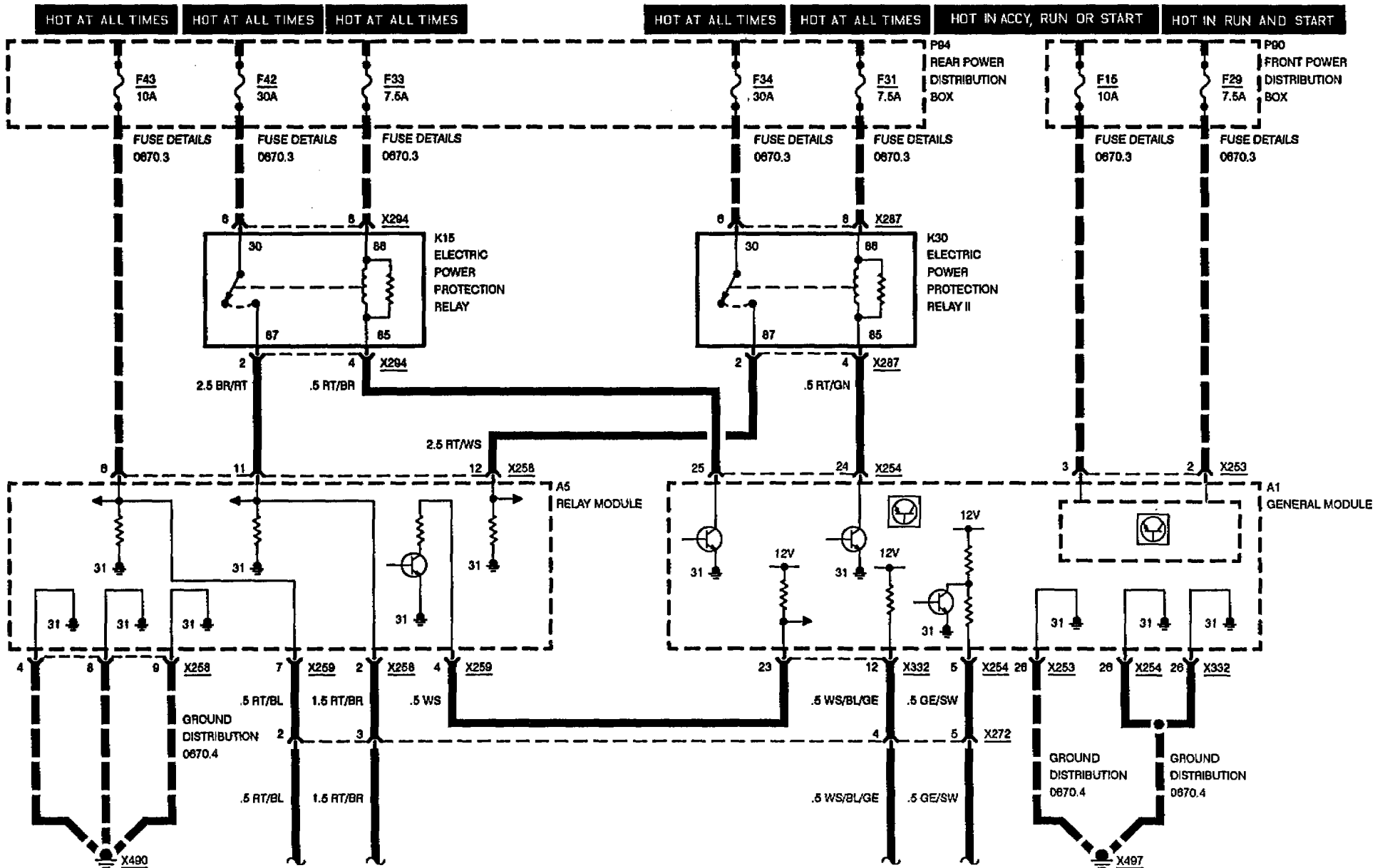


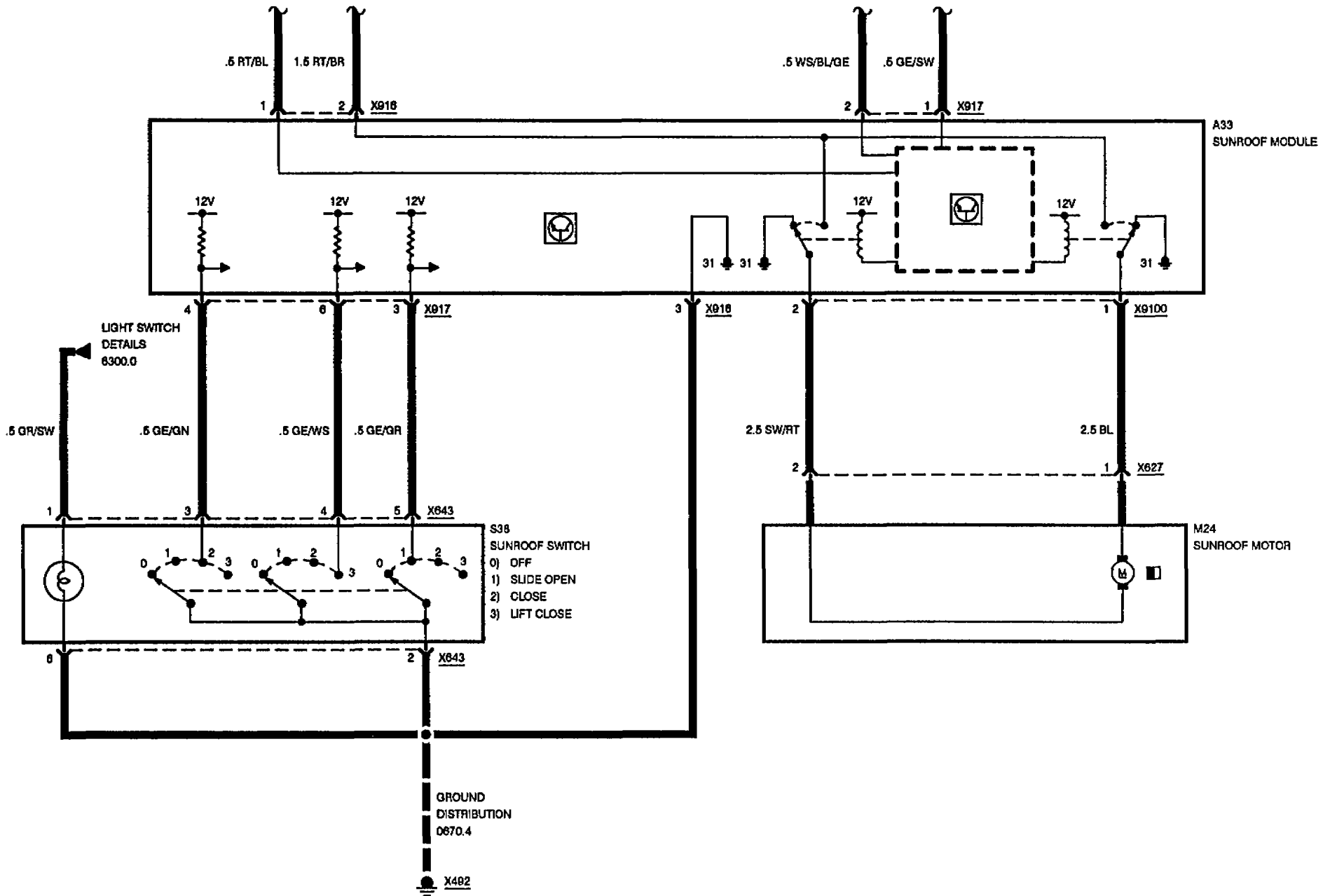
BMW
8

5410.0



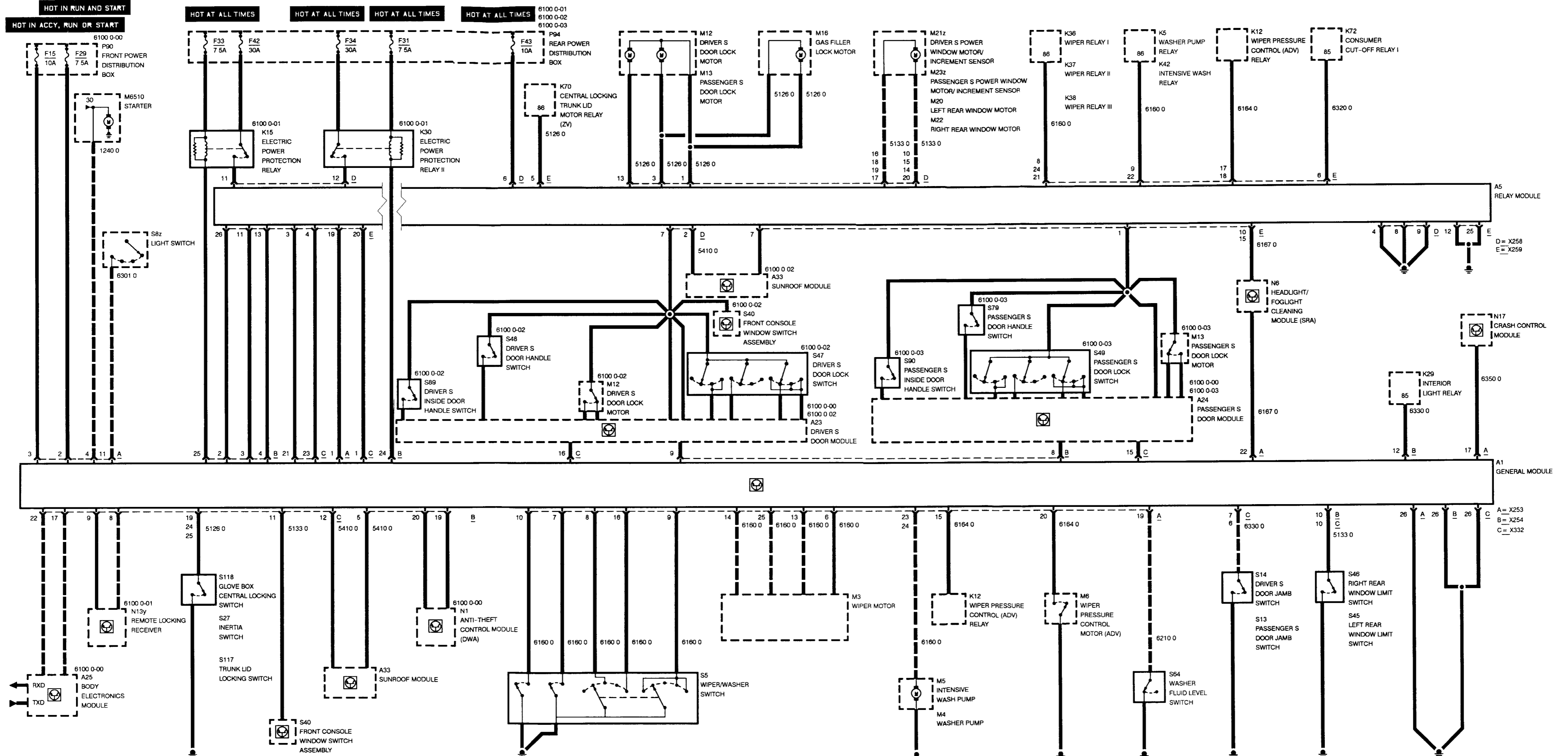
ZKE SUNROOF (SHD)





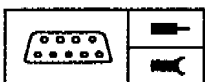
BMW
8

5410.0-02



A = X253
 B = X254
 C = X332

D = X258
 E = X259



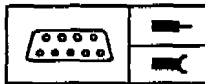
Pin Assignments

A = X253	26 pins, black
B = X254	26 pins, yellow
C = X332	26 pins, white
D = X258	20 pins, black
E = X259	26 pins, black

X253

Pin	Type	Description/Function	Connection
1	E	Voltage for electronics (30)	Relay module
2	E	Ignition voltage (15)	Fuse
3	E	Voltage (R)	Fuse
4	E	Starter signal (30h)	Starter
5		Not used	
6	E	Wiper reset contact	Wiper motor
7	E	Wash	Wiper/washer switch
8	E	Intermittent wipe	Wiper/washer switch
9	E	Wiper speed: 1	Wiper/washer switch
10	E	Intensive wash/telephone	Wiper/washer switch
11	E	Headlamp on (58)	Light switch
12		Not used	
13	E	Diagnosis, wiper relay (speed 1/2)	Wiper relay III/wiper motor
14	E	Diagnosis, wiper relay (park)	Wiper relay I/wiper motor
15	E	Diagnosis, ADV	Wiper pressure control (ADV) relay
16	E	Wiper speed: 2	Wiper/washer switch
17	A	Interface to hazard warning lights	Crash control unit
18		Not used	
19	E	Low washer fluid warning	Washer fluid level switch
20	E	ADV cam switch	Wiper pressure control motor (ADV)
21		Not used	
22	E	Diagnosis, headlight washer module	Headlight washer (SRA)
23	E	Diagnosis, intensive wash	Intensive wash relay and pump
24	E	Diagnosis, washer pump and relay	Washer pump and relay

E = Input, A = Output, M = Ground



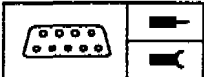
Pin Assignments

Pin	Type	Description/Function	Connection
25	E	Diagnosis, wiper relay (speed 1/2)	Wiper relay III/wiper motor
26	M	Ground for electronics (31)	Ground point

X254

Pin	Type	Description/Function	Connection
1		Not used	
2	A	Relay module interface	Relay module
3	A	Relay module interface	Relay module
4	A	Relay module interface	Relay module
5	A	Interface to sunroof	Sunroof module
6		Not used	
7		Not used	
8	A	Interface to passenger's door module	Passenger's door module
9	A	Interface to driver's door module	Driver's door module
10	E	Right rear window contact	Window limit switch
11		Not used	
12	A	Interior light relay activation	Interior light relay
13		Not used	
14		Not used	
15		Not used	
16		Not used	
17		Not used	
18		Not used	
19	A	Interface to DWA	DWA
20	A	Interface to DWA	DWA
21		Not used	
22		Not used	
23		Not used	
24	A	Electronic power protection: Activation for passenger's side relay	Electric power protection relay

E = Input, A = Output, M = Ground



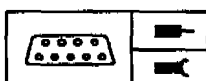
Pin Assignments

Pin	Type	Description/Function	Connection
25	A	Electronic power protection: Activation for driver's side relay	Electric power protection relay
26	M	Ground for electronics (31)	Ground point

X332

Pin	Type	Description/Function	Connection
1	E	Voltage for electronics (30)	Relay module
2		Not used	
3		Not used	
4		Not used	
5		Not used	
6	E	Passenger's door contact	Passenger's door jamb switch
7	E	Driver's door contact	Driver's door jamb switch
8	E	Interface from antitheft	N13y Remote control
9	E	Interface from antitheft	N13y Remote control
10	E	Left rear window contact	Window limit switch
11	E	Interface from power windows	Power window switch assembly
12	E	Interface from sunroof	Sunroof module
13		Not used	
14		Not used	
15	E	Interface from passenger's door module	Passenger's door module
16	E	Interface from driver's door module	Driver's door module
17	E/A	I-bus interface	Body electronics module (EKM)
18		Not used	
19	E	Lock glove box signal	Glove box locking switch
20		Not used	
21	E	Interface from relay module; diagnostic feedback RM functions	Relay module
22	E	Vehicle speed signal	Body electronics module (EKM)
23	E	Interface from relay module; power measurement RM functions	Relay module

E = Input, A = Output, M = Ground



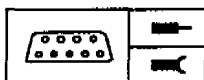
Pin Assignments

Pin	Type	Description/Function	Connection
24	E	Crash sensor	Inertia switch
25	E	Command, unlock rear lid	Trunk lid locking switch
26	M	Ground for electronics (31)	Ground point

X258

Pin	Type	Description/Function	Connection
1	A	Activation of ZV motors: Unlock	Door and gas filler lock motors
2	A	Voltage for power circuit on driver's side from electronic power protection	Sunroof module
3	A	Activation of ZV motors: Lock	Door and gas filler lock motors
4	M	Ground for electronics	Ground point
5		Not used	
6	E	Voltage (30) for electronics for all ZKE modules	Fuse
7	A	Voltage for driver's door module electronics	Driver's door module
8	M	Ground for ZV and FH motors	Ground point
9	M	Ground for ZV and FH motors	Ground point
10	A	Activation FH motor: driver's door, open	Driver's window motor (FH)
11	E	Voltage for power circuit on driver's side from electronic power protection	Electric power protection relay
12	E	Voltage for power circuit on passenger's side from electronic power protection	Electric power protection relay
13	A	Activation ZV motors: Central arrest	Door lock motors (ZV)
14	A	Activation FH motor: Left rear side, close	Left rear window motor (FH)
15	A	Activation FH motor: Passenger's door, open	Passenger's window motor (FH)
16	A	Activation FH motor: Driver's door, close	Driver's window motor (FH)
17	A	Activation FH motor: Right rear side, open	Right rear window motor (FH)
18	A	Activation FH motor: Passenger's door, close	Passenger's window motor (FH)
19	A	Activation FH motor: Left rear side, open	Left rear window motor (FH)
20	A	Activation FH motor: Right rear side, close	Right rear window motor (FH)

E = Input, A = Output, M = Ground



Pin Assignments

X259

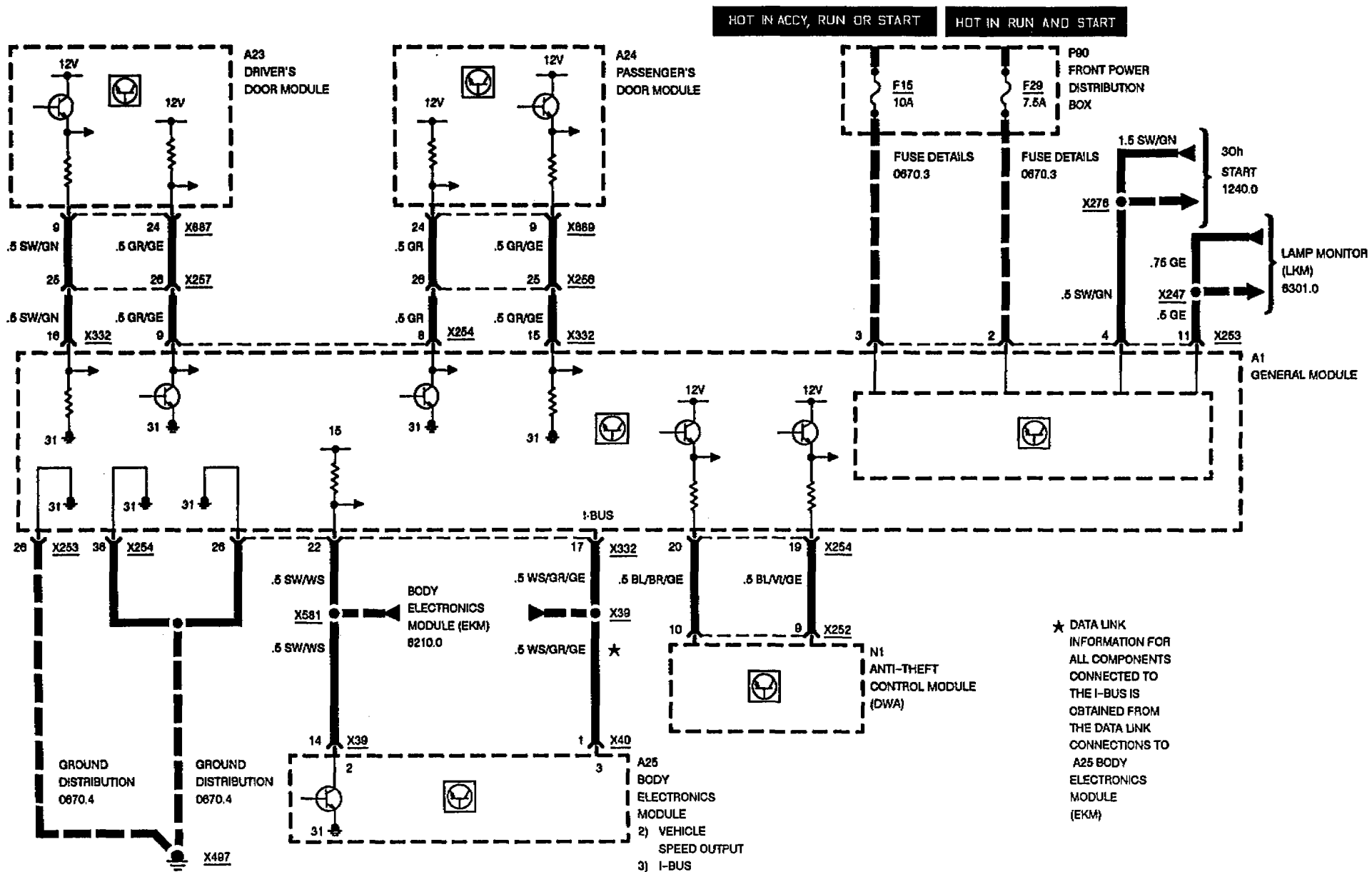
Pin	Type	Description/Function	Connection
1	A	Voltage for passenger's door module electronics	Passenger's door module
2		Not used	
3	A	Interface to general module, diagnostic feedback RM function	General module
4	A	Interface to general module, power measurement RM	General module
5	A	Relay activation, unlock rear lid	Trunk lid motor relay
6	A	Relay activation, load cut-out	Consumer cut-off relay I
7	A	Voltage for sunroof module electronics	Sunroof module
8	A	Relay activation, wiper park position	Wiper relay I
9	A	Relay activation, washer pump	Washer pump relay
10	A	SRA module activation: Headlight washer	Headlight washer module (SRA)
11	A	General module interface	General module
12	M	Ground for electronics	Ground point
13	A	General module interface	General module
14		Not used	
15	A	SRA module activation: Washer pump luggage compartment	Headlight washer module (SRA)
16		Not used	
17	A	ADV module activation: Reduce pressure	Wiper pressure control relay (ADV)
18	A	ADV module activation: Increase pressure	Wiper pressure control relay (ADV)
19	A	Voltage for general module electronics	General module
20	A	Voltage for general module electronics	General module
21	A	Relay activation, wiper speed 2	Wiper relay III
22	A	Relay activation, intensive wash (SIR)	Intensive wash relay
23		Not used	
24	A	Relay activation, wiper speed 1	Wiper relay II
25	M	Ground for electronics	Ground point
26	A	General module interface	General module

E = Input, A = Output, M = Ground



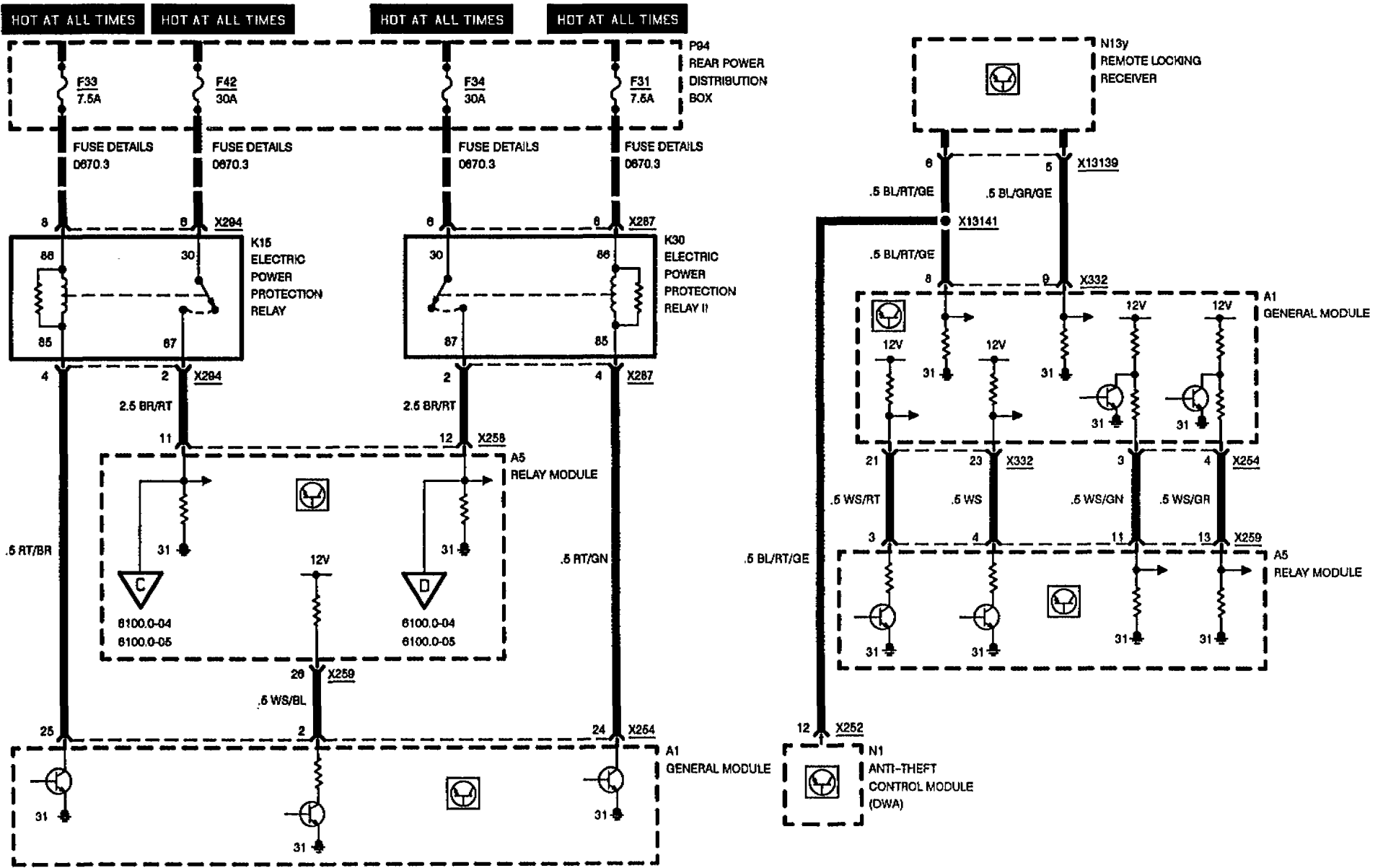
CENTRAL BODY ELECTRONICS (ZKE II)

GENERAL MODULE





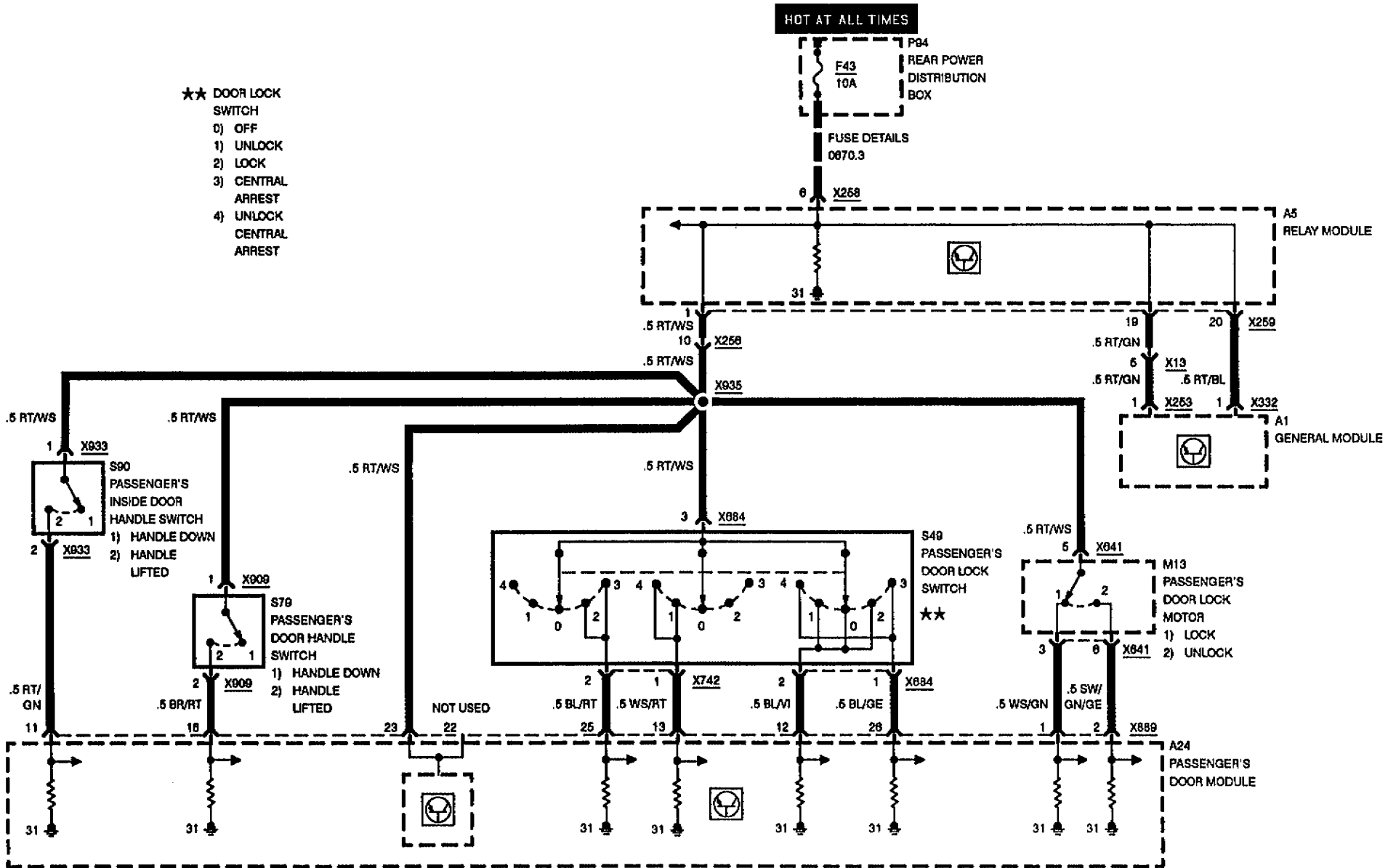
CENTRAL BODY ELECTRONICS (ZKE II)





CENTRAL BODY ELECTRONICS (ZKE II)

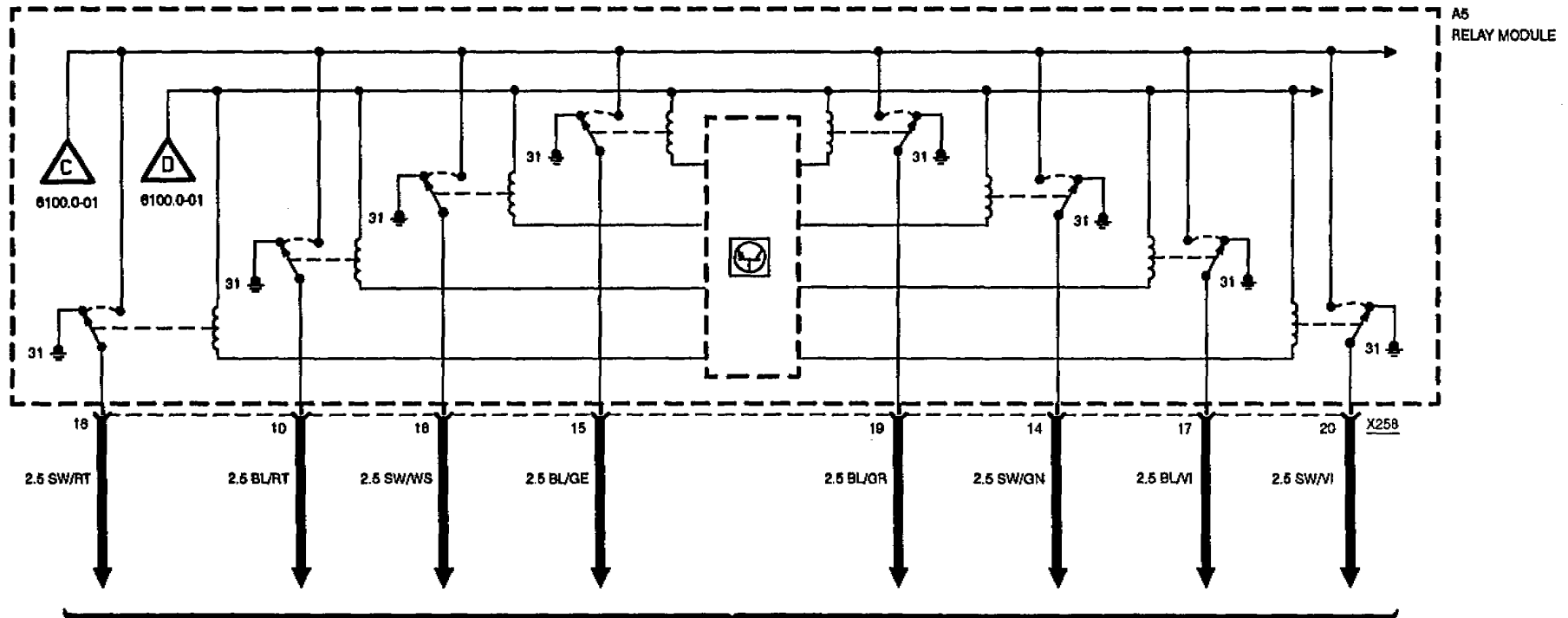
- ★★ DOOR LOCK SWITCH
- 0) OFF
- 1) UNLOCK
- 2) LOCK
- 3) CENTRAL ARREST
- 4) UNLOCK CENTRAL ARREST





CENTRAL BODY ELECTRONICS (ZKE II)

RELAY MODULE

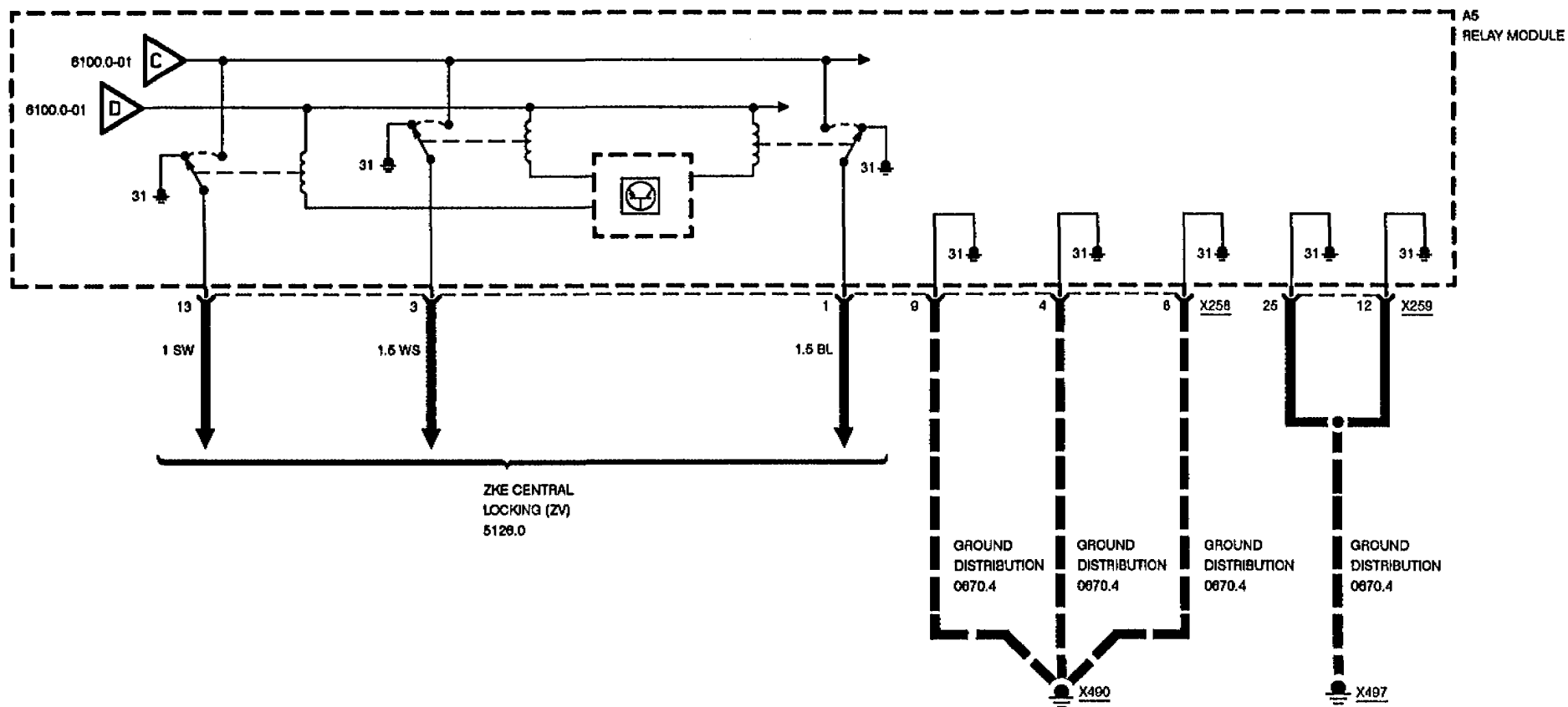


ZKE
POWER WINDOWS
(FH)
6133.0



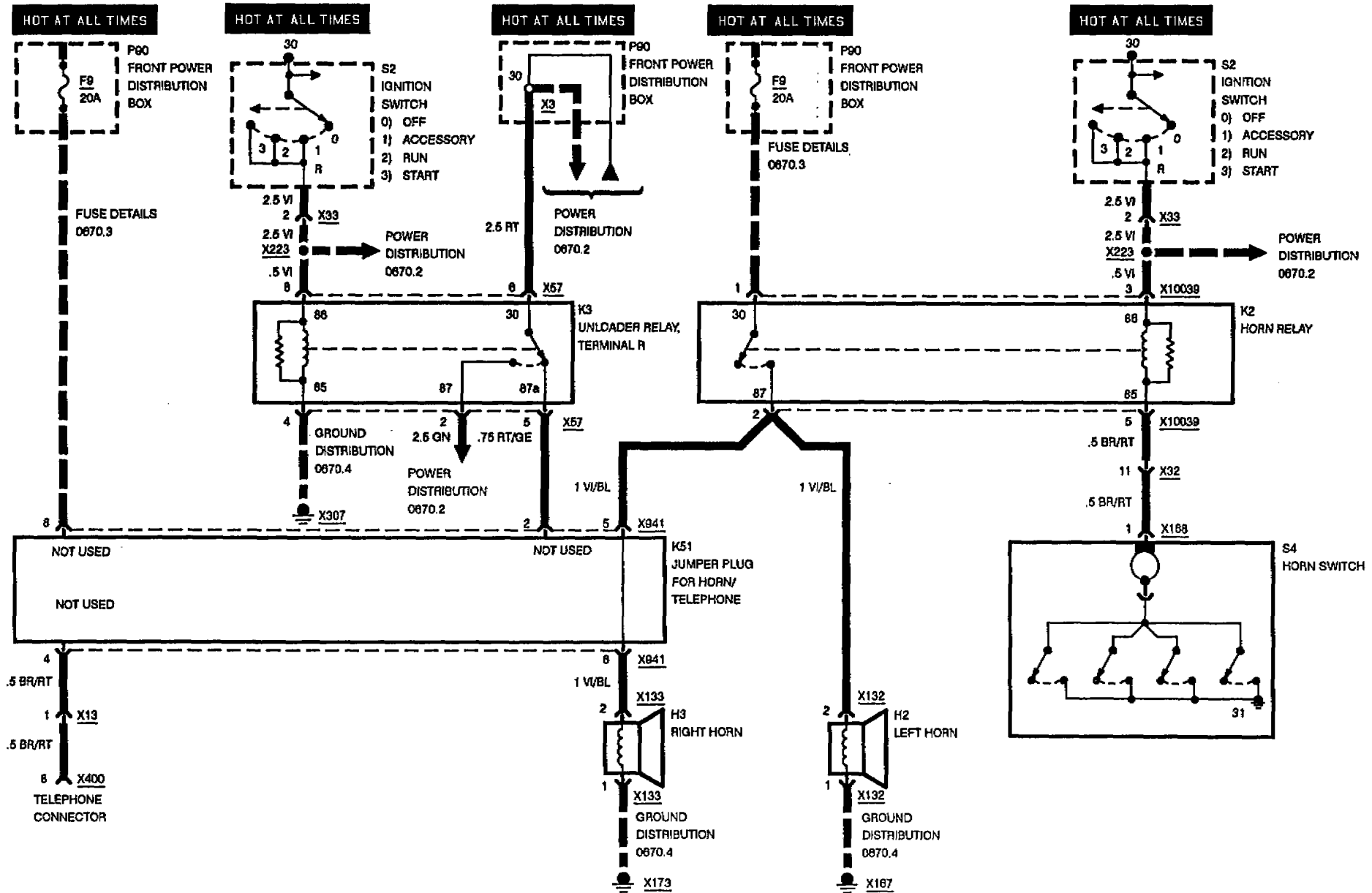
CENTRAL BODY ELECTRONICS (ZKE II)

RELAY MODULE





HORN

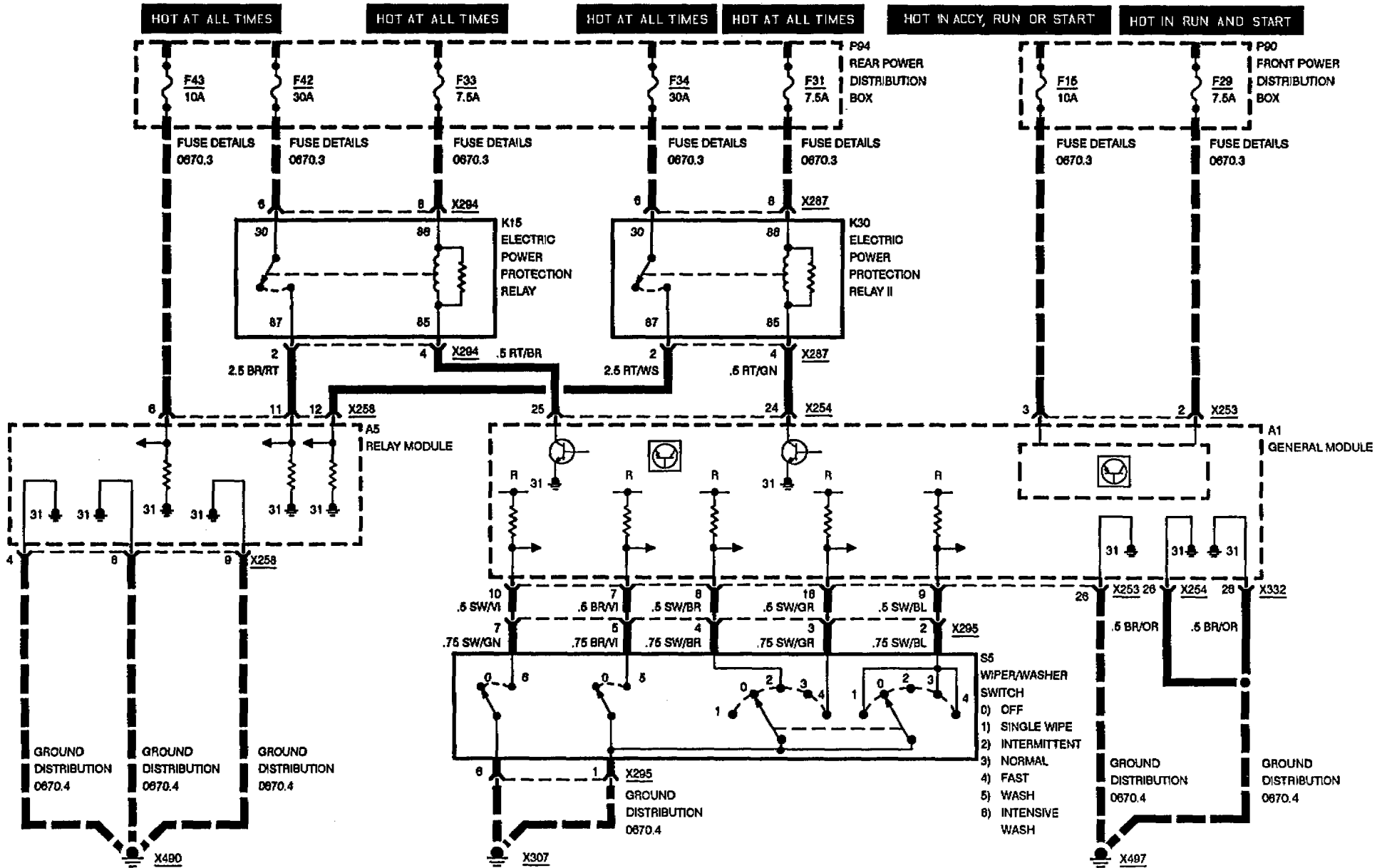


BMW
8

6160.0

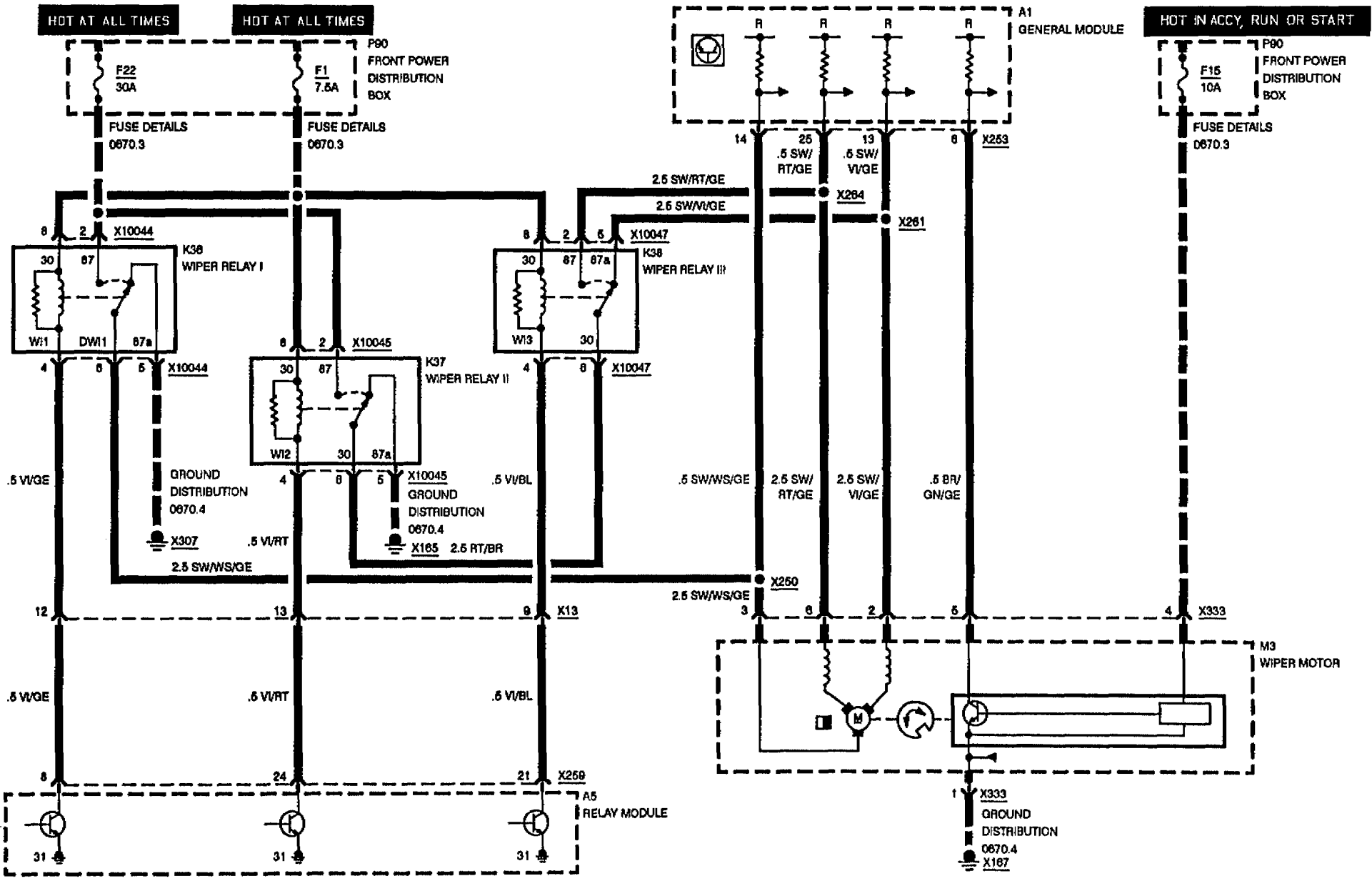


ZKE WIPER/WASHER CONTROL





ZKE WIPER/WASHER CONTROL

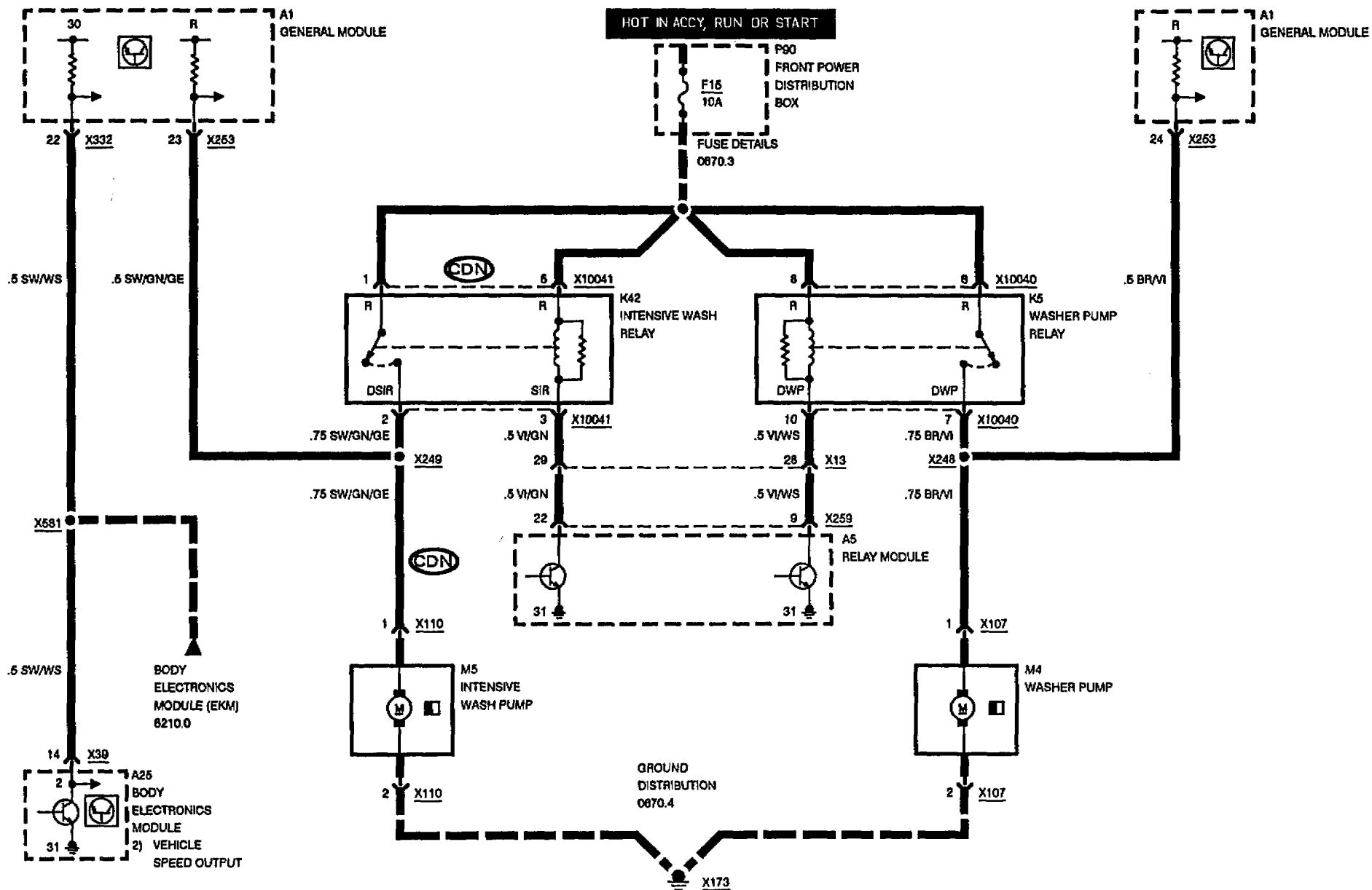


09/93

6160.0-01

1994

ZKE WIPER/WASHER CONTROL





6164.0



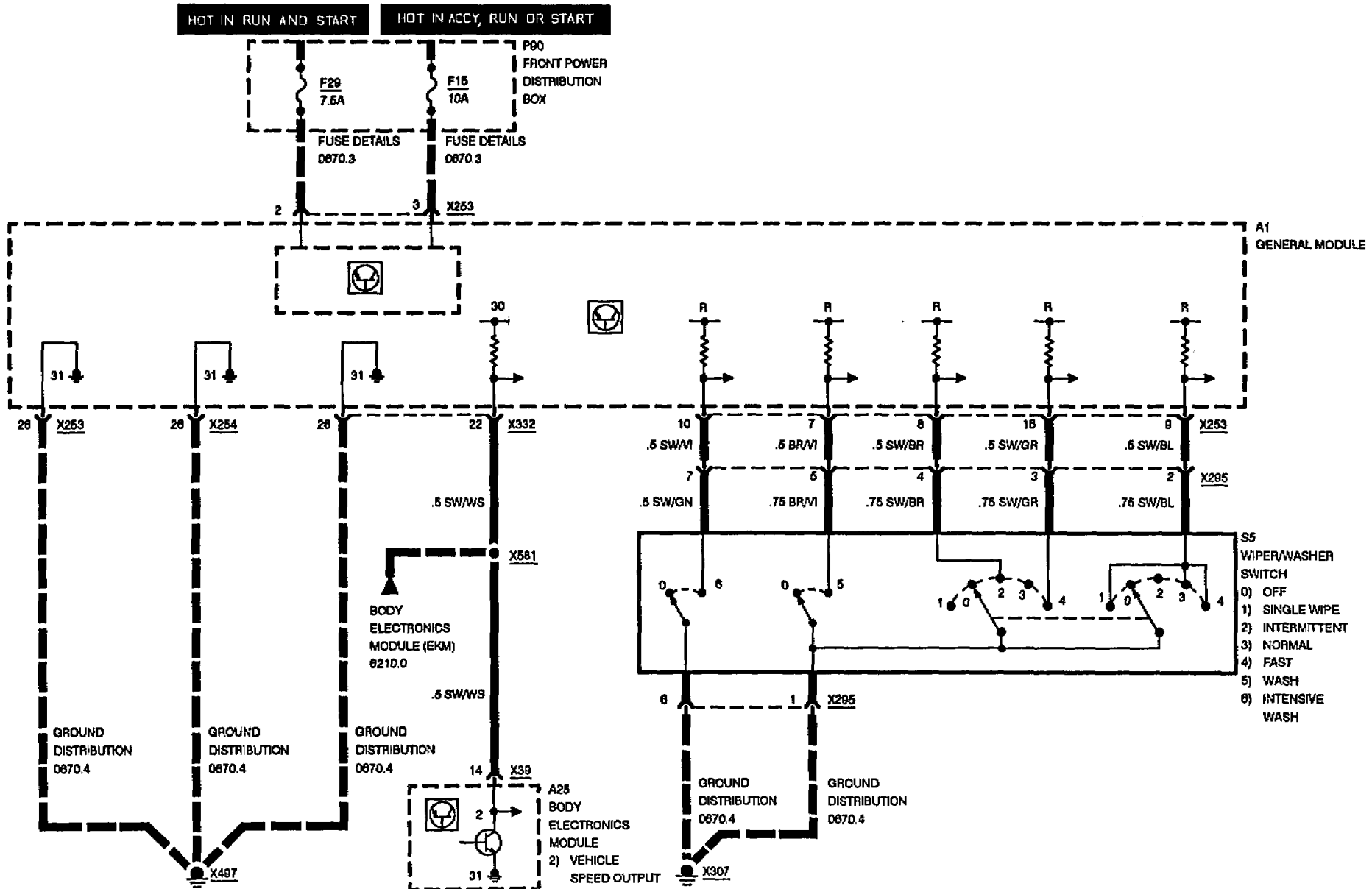
ZKE WINDSHIELD WIPER PRESSURE CONTROL (ADV)



09/93

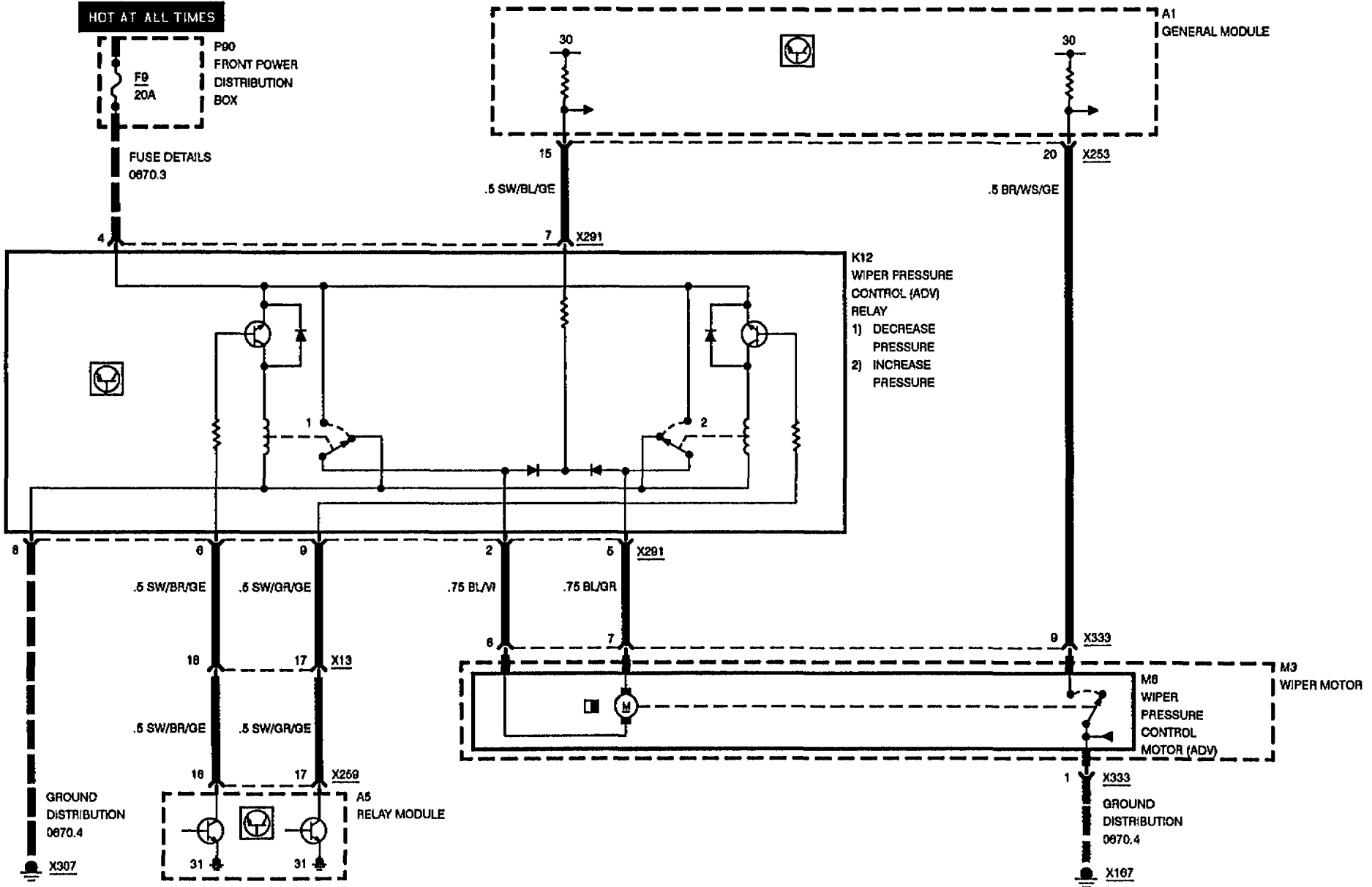
6164.0-00

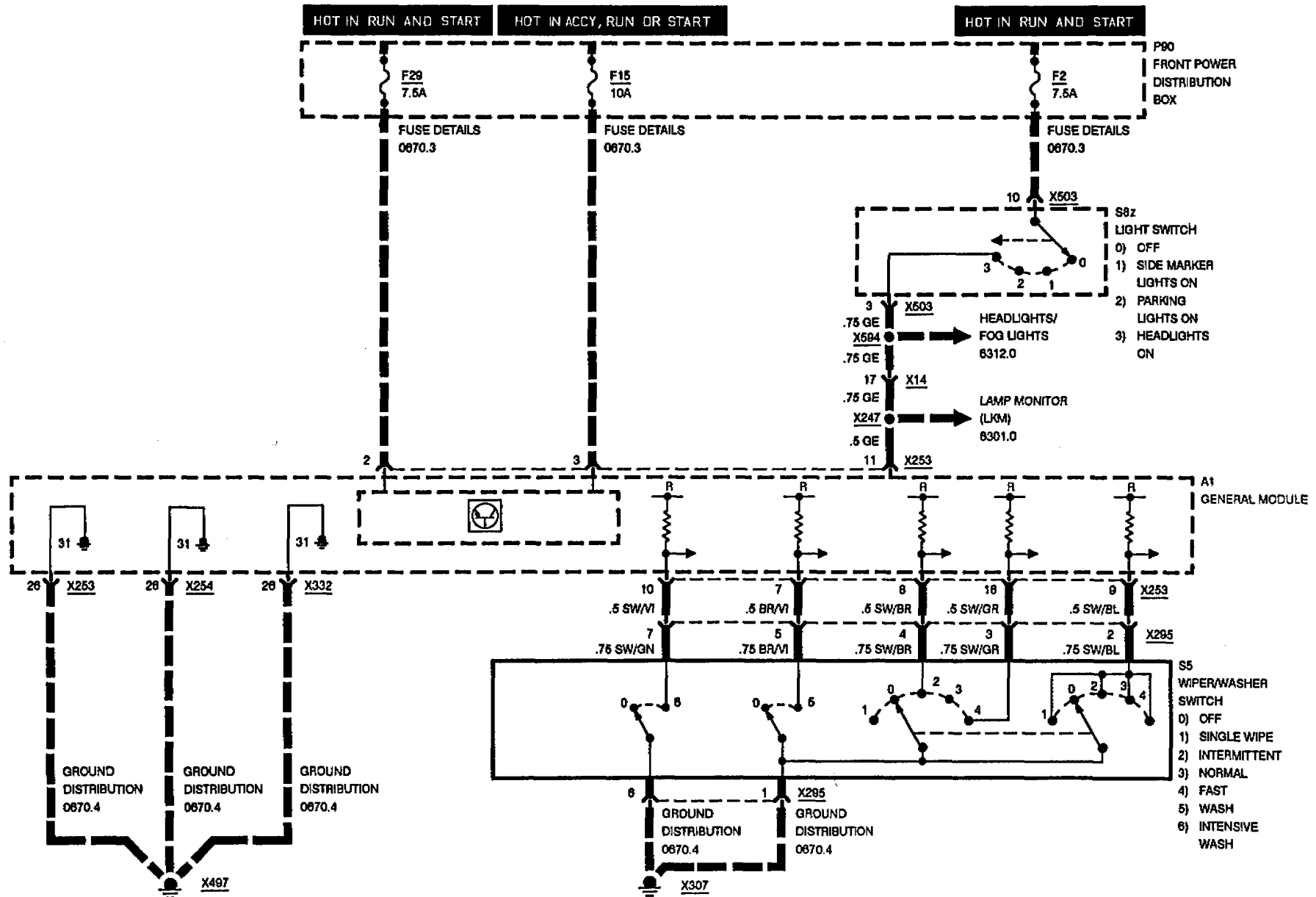
1994





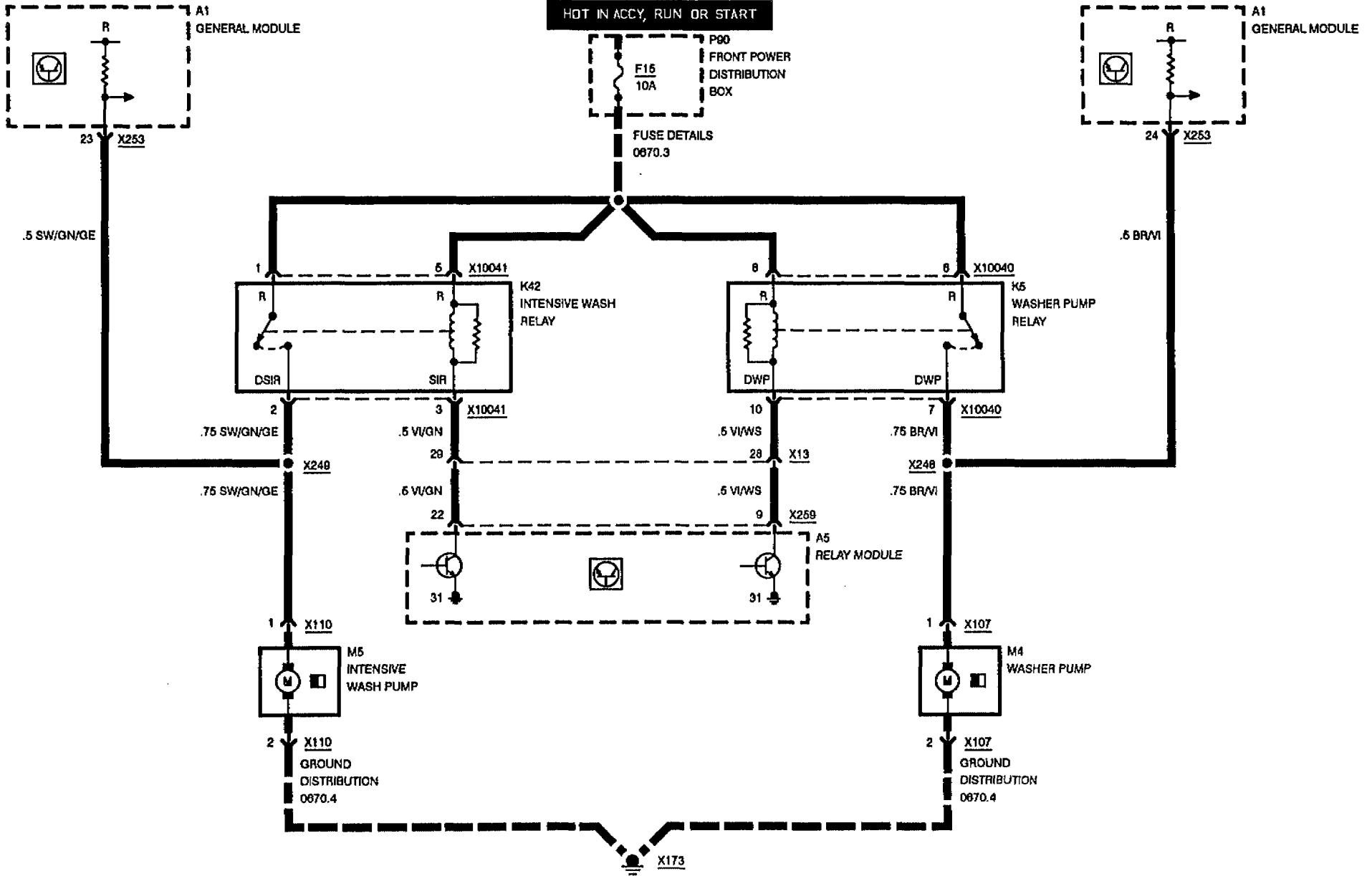
ZKE WINDSHIELD WIPER PRESSURE CONTROL (ADV)







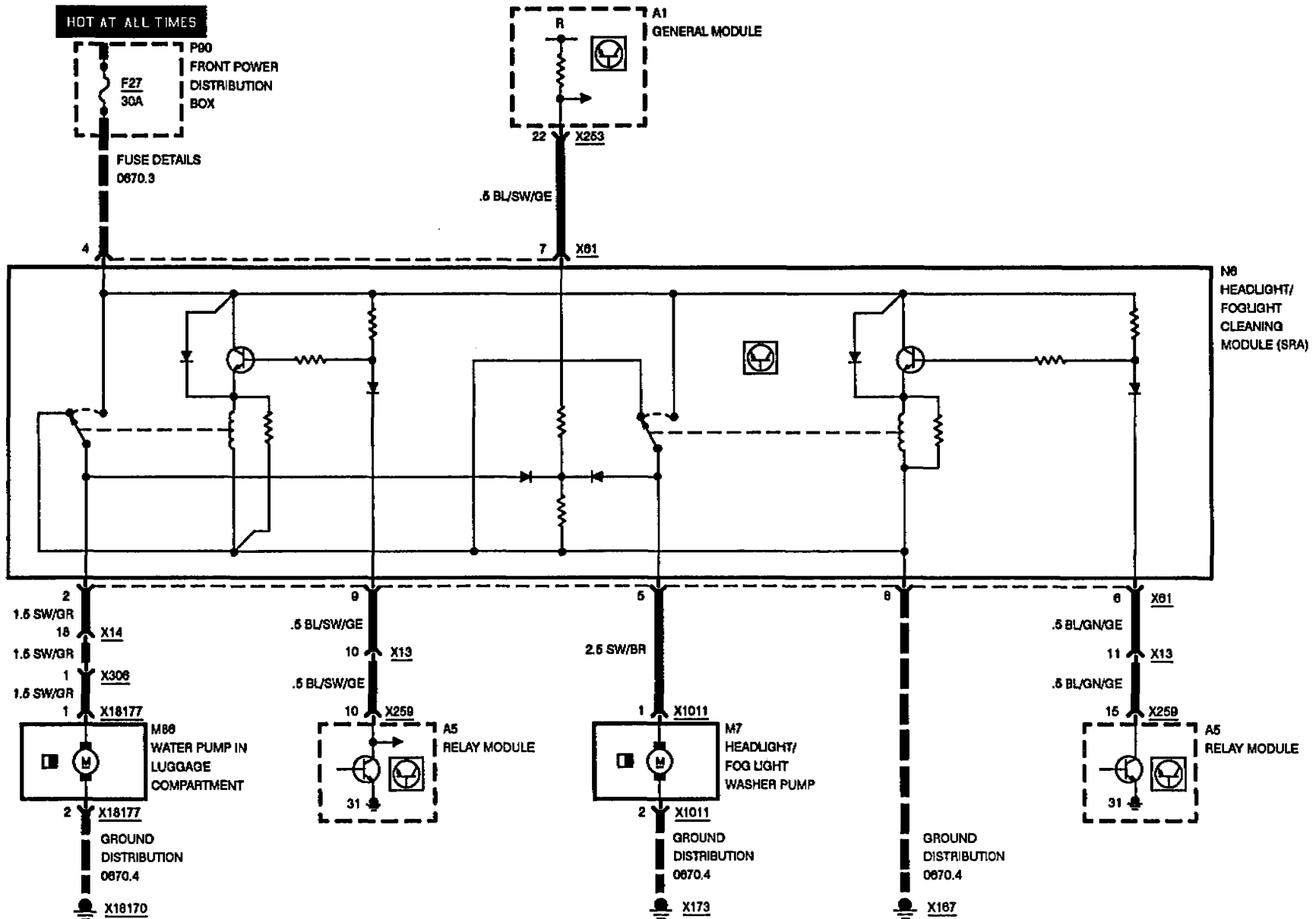
ZKE HEADLIGHT WASHER (SRA)





ZKE HEADLIGHT WASHER (SRA)

OUTPUT DETAILS

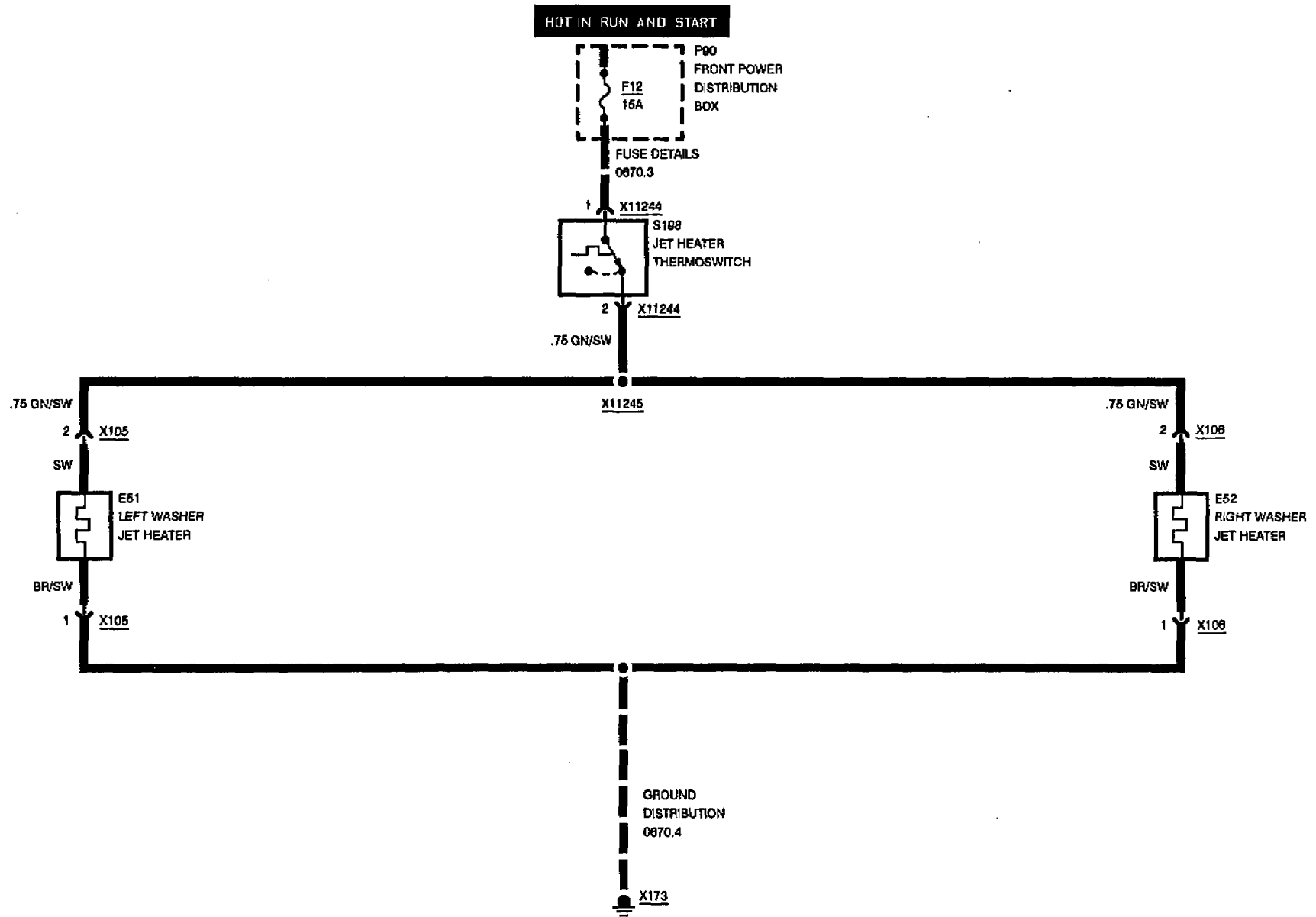


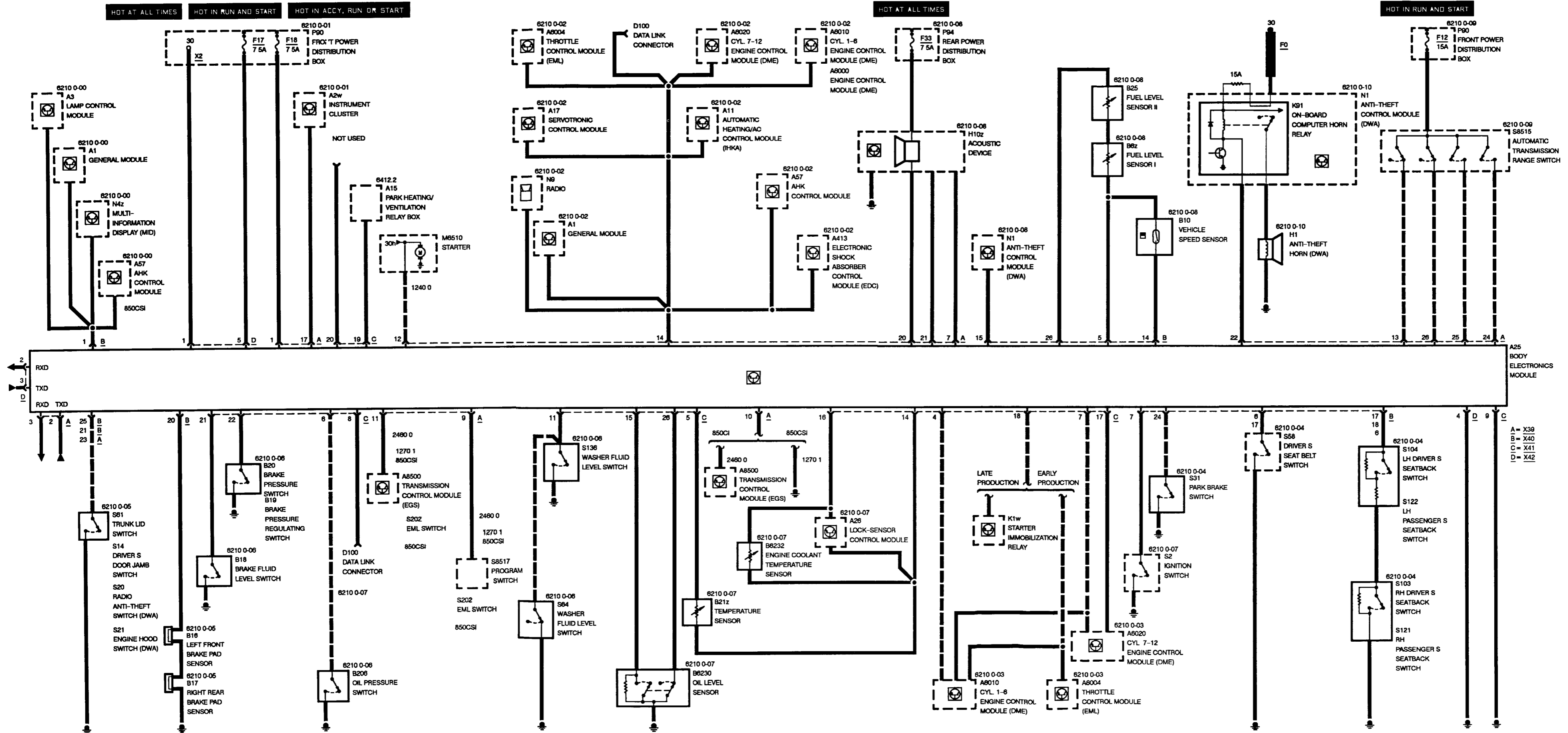
BMW
8

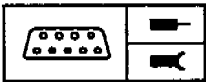
6169.0



WINDSHIELD WASHER JET HEATERS







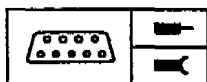
Pin Assignments

A=X39	26 pins, green
B=X40	26 pins, brown
C=X41	26 pins, blue
D=X42	5 pins, black

X39

Pin	Type	Description/Function	Connection
1	E	Voltage (terminal R)	Fuse
2	E/A	Diagnostic link (TxD)	TxD connection of various control units
3	E/A	Diagnostic link (RxD)	RxD connection of various control units
4		Not used	
5		Not used	
6		Not used	
7	A	Acoustic output 1 (hour reminder signal)	Acoustic device
8		Not used	
9	E	Transmission program	850Ci Program switch 850CSi EML - switch
10	E	850Ci Transmission defect (EGS)	Transmission control module (EGS)
	M	850CSi Ground	Ground point
11	E	Transmission program	850Ci Transmission control module (EGS) 850CSi EML - switch
12	E	Starter signal (30h)	Starter
13	E	Position switch L1	Automatic transmission range switch
14	A	Vehicle speed signal	Various control modules
15		Not used	
16		Not used	
17	E/A	Instrument cluster interface/data transfer to instrument cluster	Instrument cluster
18		Not used	
19		Not used	
20	A	Acoustic output 2 (outside temperature warning)	Acoustic device

E = Input, A = Output, M = Ground



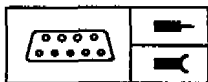
Pin Assignments

Pin	Type	Description/Function	Connection
21	A	Acoustic output 3 (check control message)	Acoustic device
22	A	Trigger alarm at antitheft horn with drive-away protection active	Antitheft module
23		Radio anti-theft system	Radio contact
24	E	Position switch L 4	Automatic transmission range switch
25	E	Position switch L 3	Automatic transmission range switch
26	E	Position switch L 2	Automatic transmission range switch

X40

Pin	Type	Description/Function	Connection
1	E/A	I-bus (instrument bus)	I-bus users
2		Not used	
3		Not used	
4		Not used	
5	A	Sensor ground	Fuel level sensor and vehicle speed sensor
6	E	Seat belt buckle signal/Left backrest locked signal	Driver's seat belt switch/Driver's seatback switches
7	E	Ignition key status	Ignition switch
8		Not used	
9		Not used	
10		Not used	
11		Not used	
12		Not used	
13		Not used	
14	E	Vehicle speed signal	Vehicle speed sensor
15	A	Speed signal for DWA	DWA - Control module
16		Not used	
17	E	Left backrest locked signal/Seat belt buckle signal	Driver's seatback switches/Driver's seat belt switch
18	E	Right backrest locked signal	Passenger's seatback switches
19		Not used	

E = Input, A = Output, M = Ground



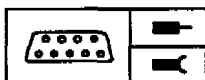
Pin Assignments

Pin	Type	Description/Function	Connection
20	E	Brake pad wear indicator	Brake pad sensors
21	E	Driver's door status	Driver's door jamb switch
22		Not used	
23		Not used	
24	E	Park brake status	Park brake switch
25	E	Trunk lid status	Trunk lid switch
26	E	Fuel level	Fuel level sensors

X41

Pin	Type	Description/Function	Connection
1		Not used	
2		Not used	
3		Not used	
4	E	Injection signal 1 (ti)	Cyl. 1 - 6 engine control module (DME)
5	E	Outside temperature	Temperature sensor
6	E	Engine oil pressure	Oil pressure switch
7	E	Engine speed (rpm) signal (tD)	Cyl. 1 - 6 engine control module (DME)
8	E	SIA reset	Data link connector Pin 7
9	M	Ground	Ground point
10		Not used	
11	E	Washer fluid level	Washer fluid level switches
12		Not used	
13		Not used	
14	A	Sensor ground	Temperature sensor for coolant and outside temperature
15	E	Dynamic engine oil level	Oil level sensor
16	E	Coolant temperature	Coolant temperature sensor
17	E	Injection signal 2 (ti)	Cyl. 7 - 12 engine control module (DME)
18	A	Starter blocking	Engine control modules (DME)
19		Park ventilation	Park heating/ventilation relay box
20		Not used	

E = Input, A = Output, M = Ground



Pin Assignments

Pin	Type	Description/Function	Connection
21	E	Brake fluid level	Brake fluid level switch
22	E	Brake pressure	Brake pressure switches
23		Not used	
24		Not used	
25		Not used	
26	E	Static engine oil level	Oil level sensor

X42

Pin	Type	Description/Function	Connection
1	E	Voltage supply (terminal 30)	Battery
2	E/A	RxD diagnostic data line	Data link connector
3	E/A	TxD diagnostic data line	Data link connector
4	E	Ground	Ground point
5	E	Voltage (terminal 15)	Fuse

E = Input, A = Output, M = Ground

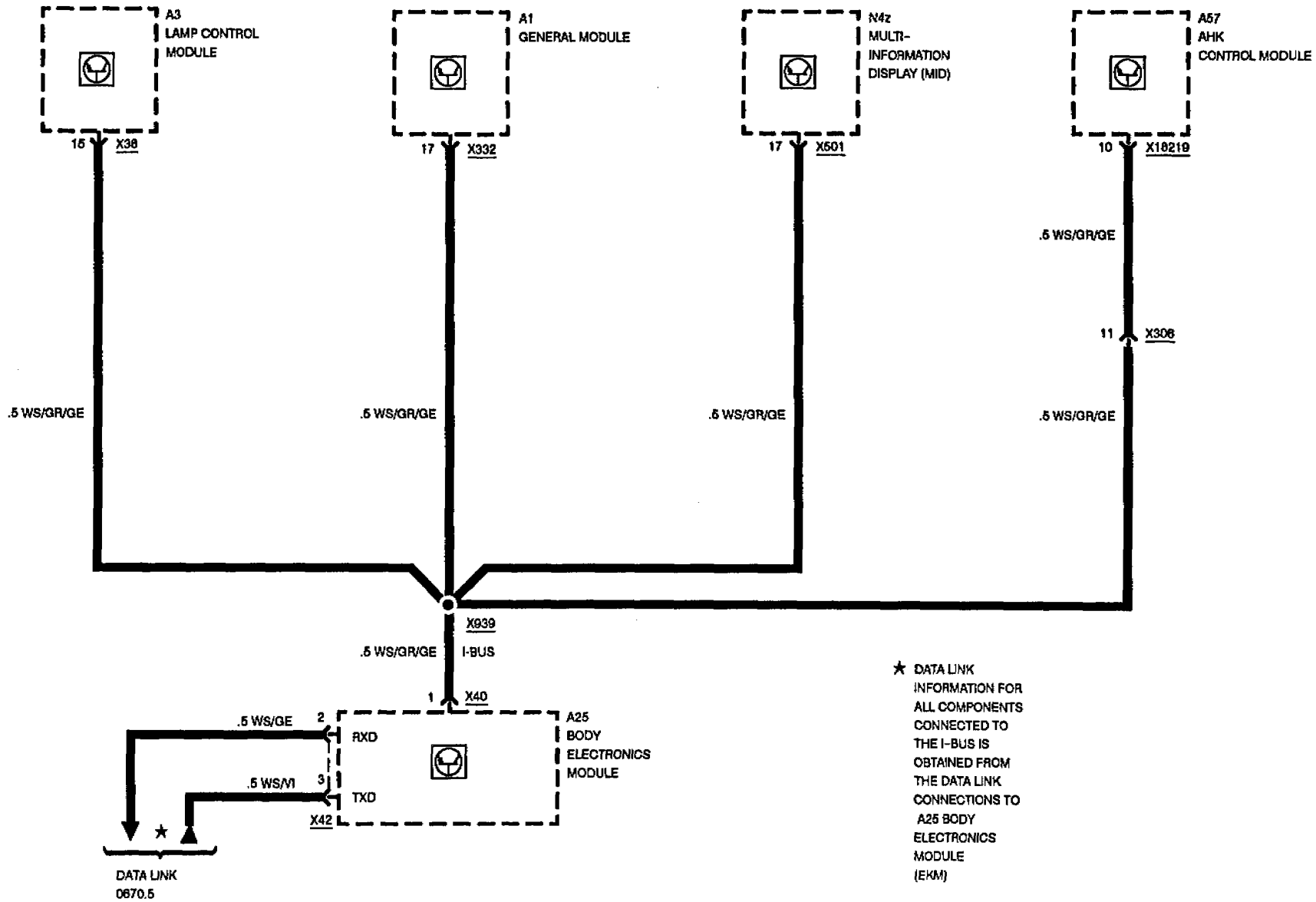
BMW
8

6210.0



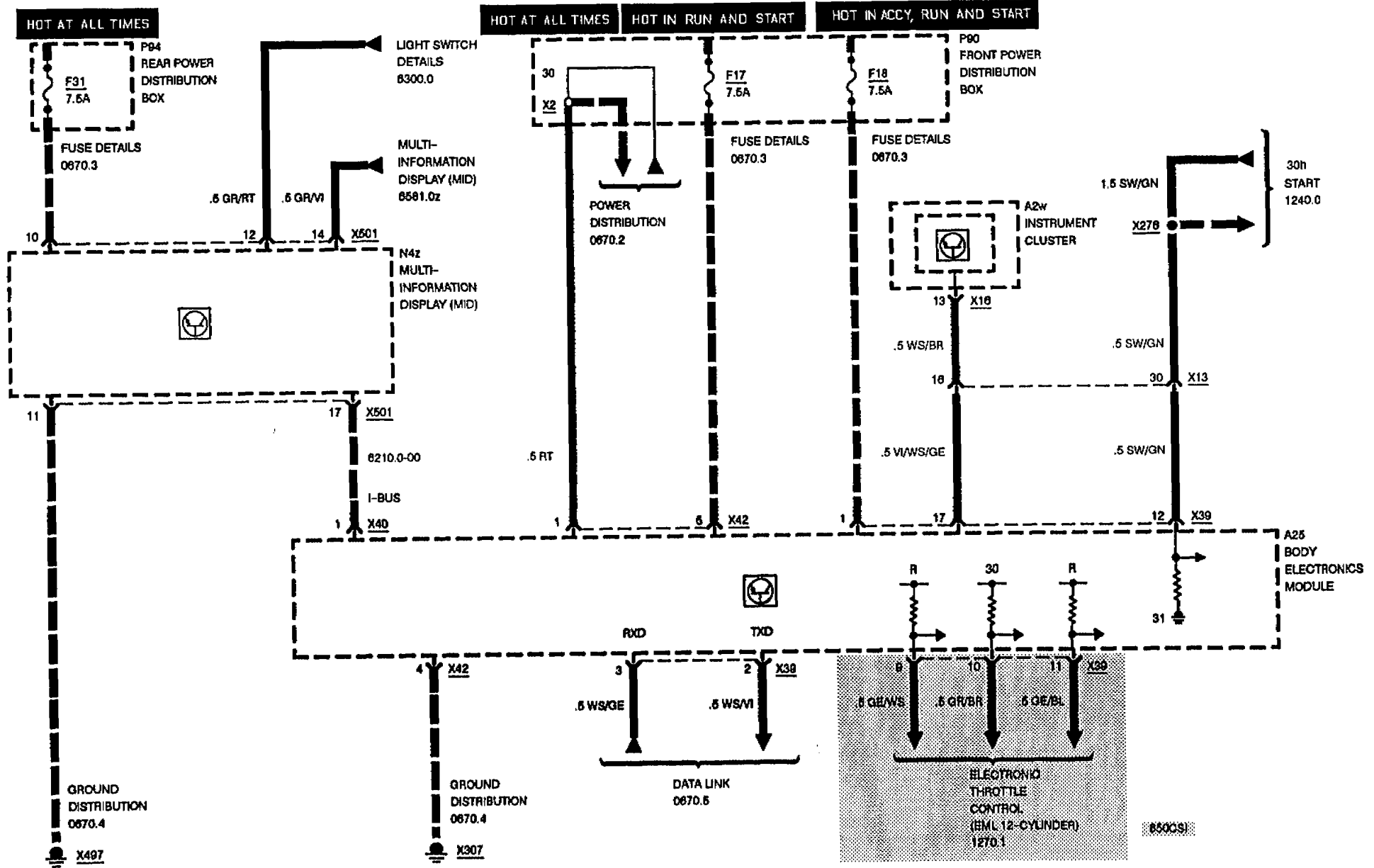
BODY ELECTRONICS MODULE (EKM)

INSTRUMENTATION BUS (I-BUS)



★ DATA LINK INFORMATION FOR ALL COMPONENTS CONNECTED TO THE I-BUS IS OBTAINED FROM THE DATA LINK CONNECTIONS TO A25 BODY ELECTRONICS MODULE (EKM)

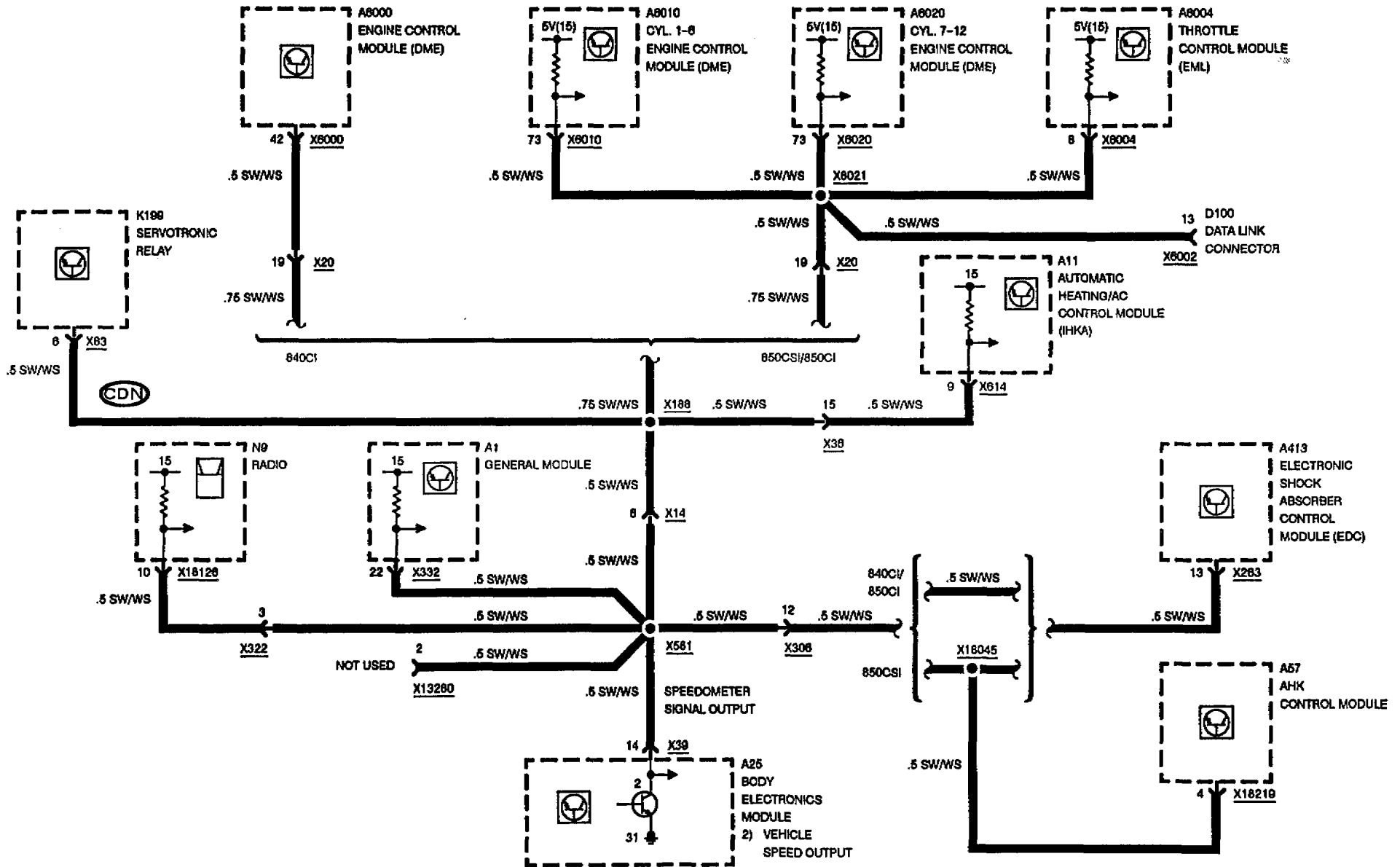
BODY ELECTRONICS MODULE (EKM)





BODY ELECTRONICS MODULE (EKM)

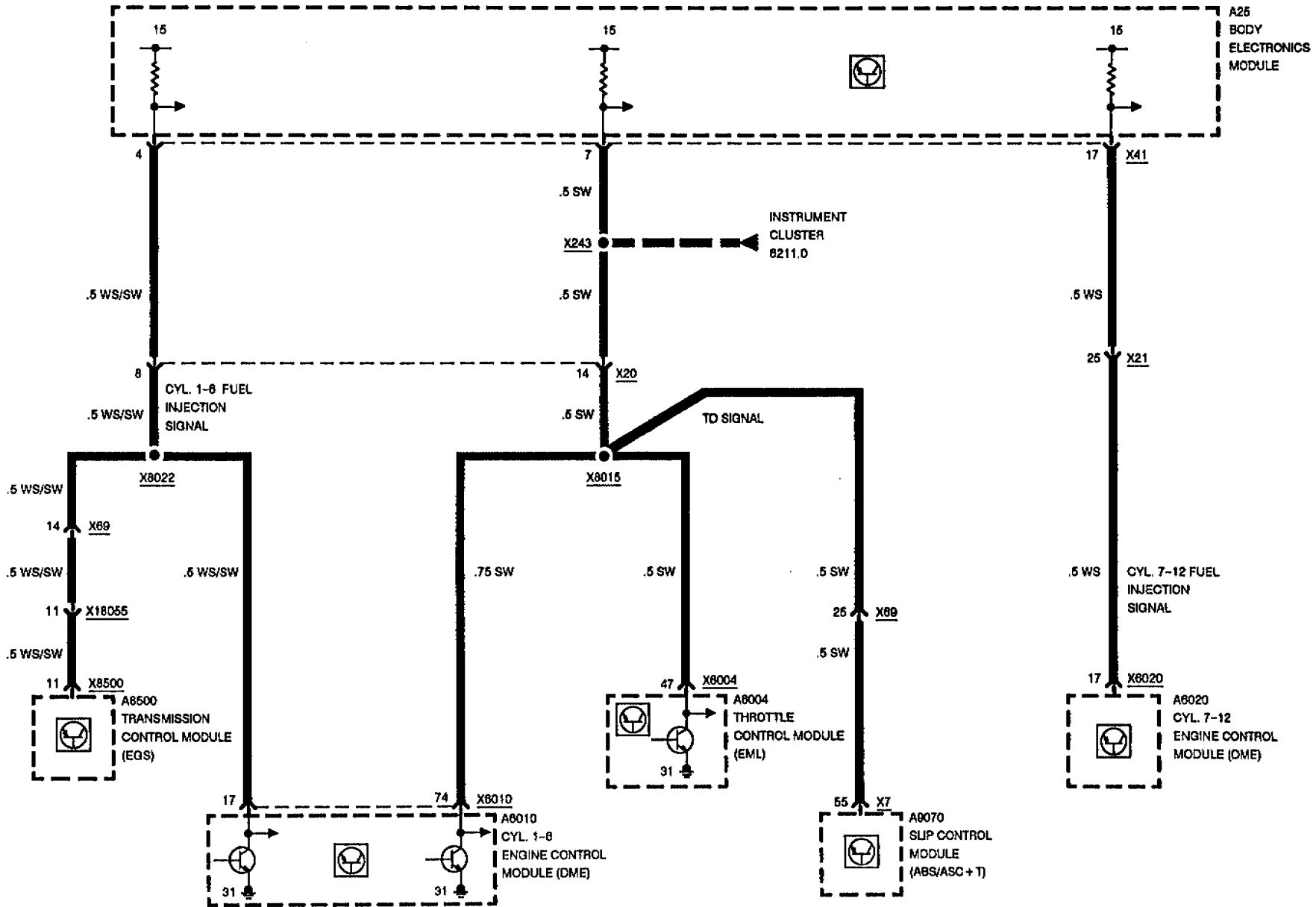
SIGNAL-OUTPUT SPEEDOMETER





BODY ELECTRONICS MODULE (EKM)

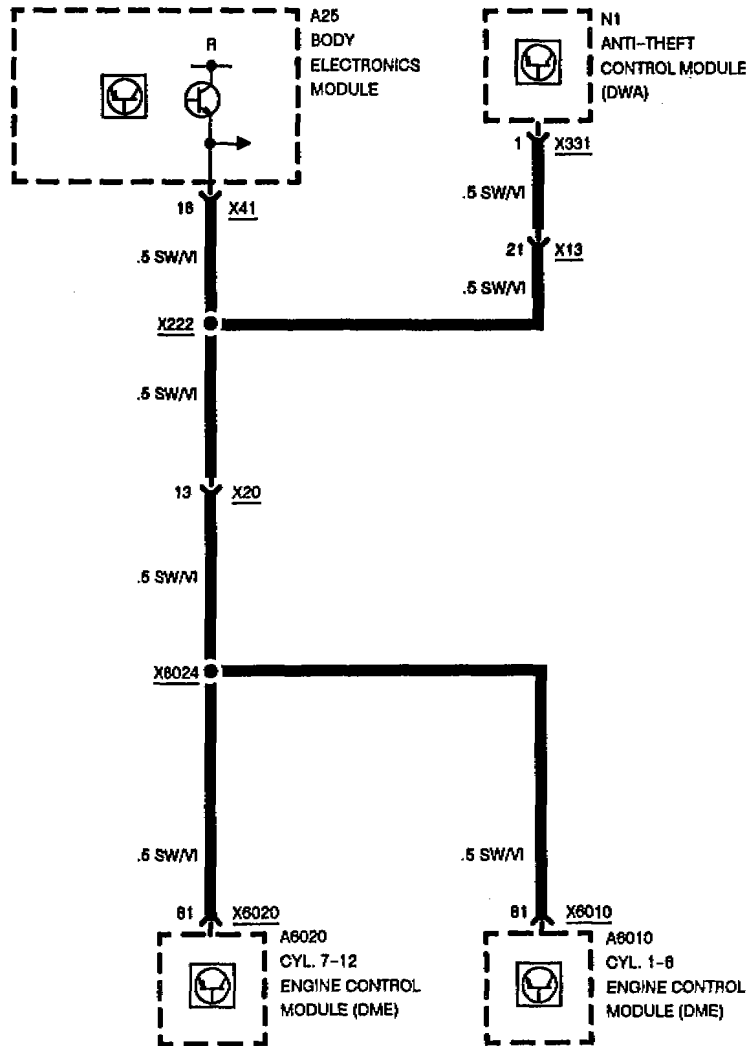
850CSi, 850Ci



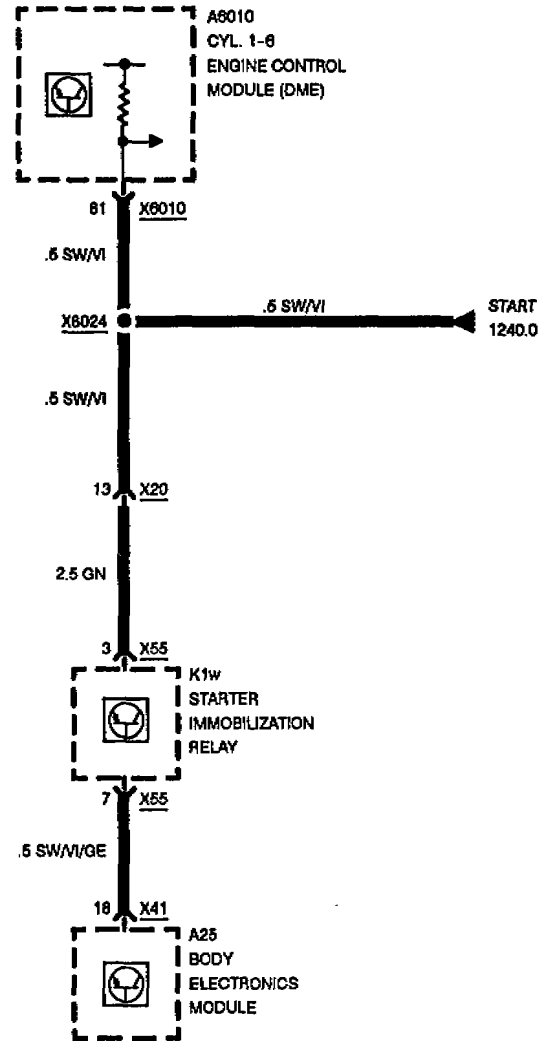


BODY ELECTRONICS MODULE (EKM)

EARLY PRODUCTION



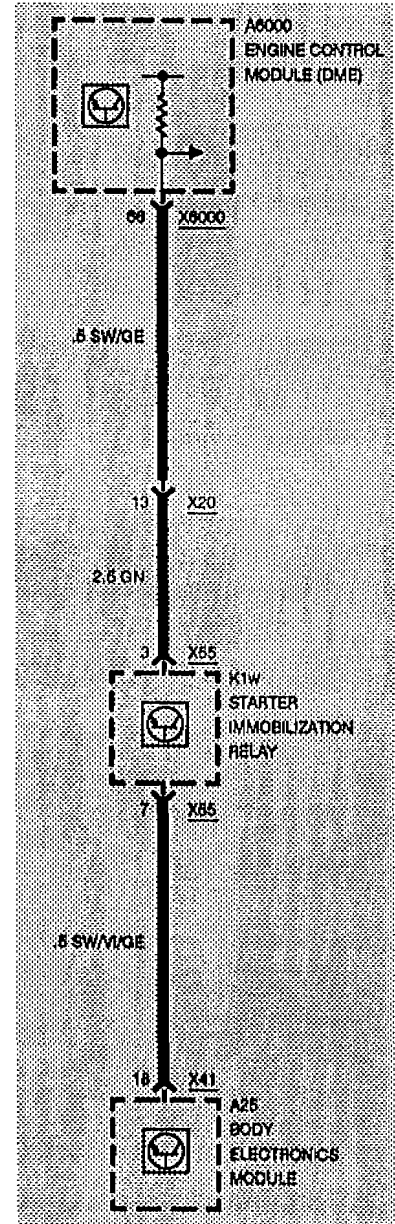
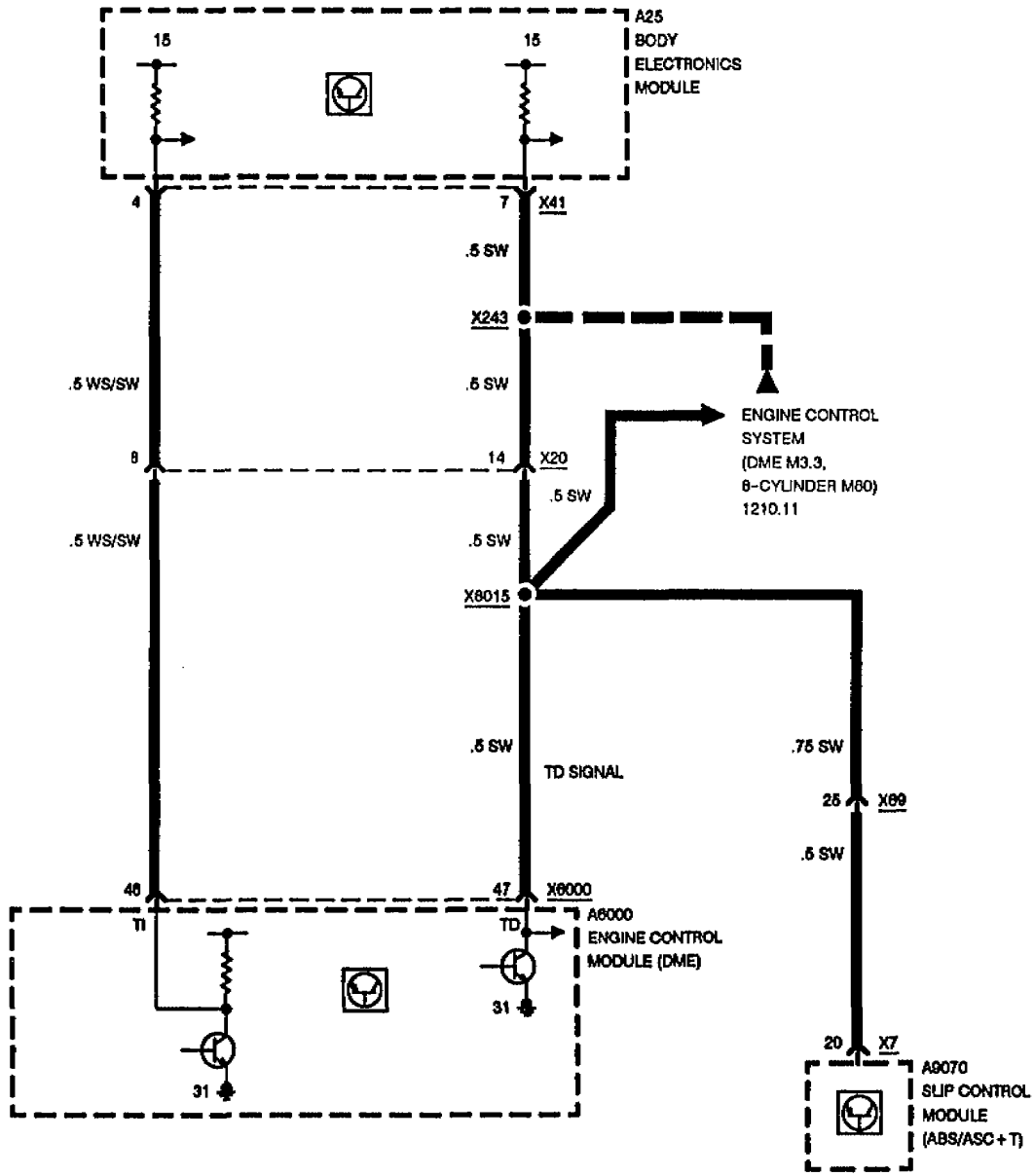
LATE PRODUCTION





BODY ELECTRONICS MODULE (EKM)

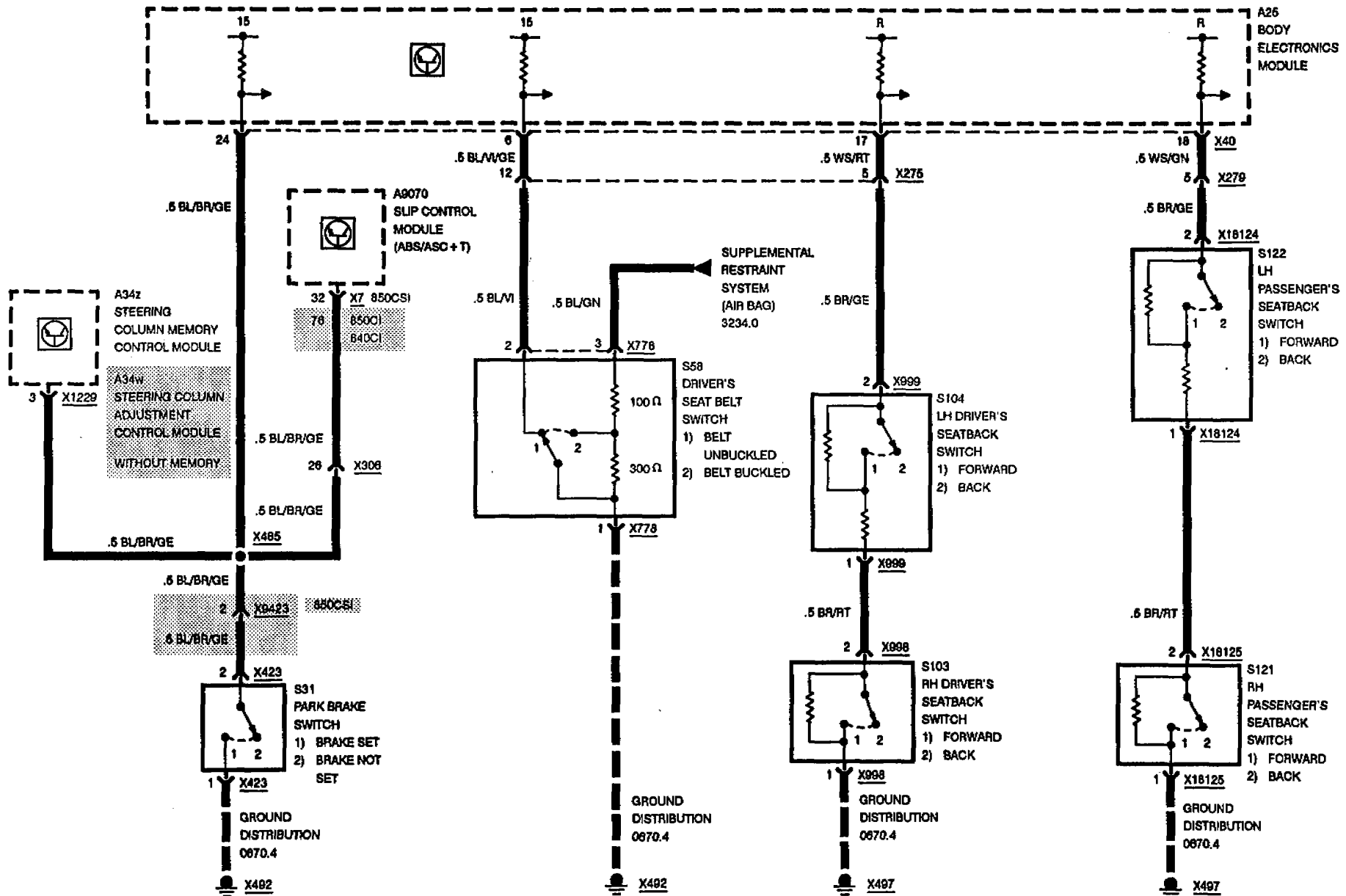
840Ci



LATE PRODUCTION

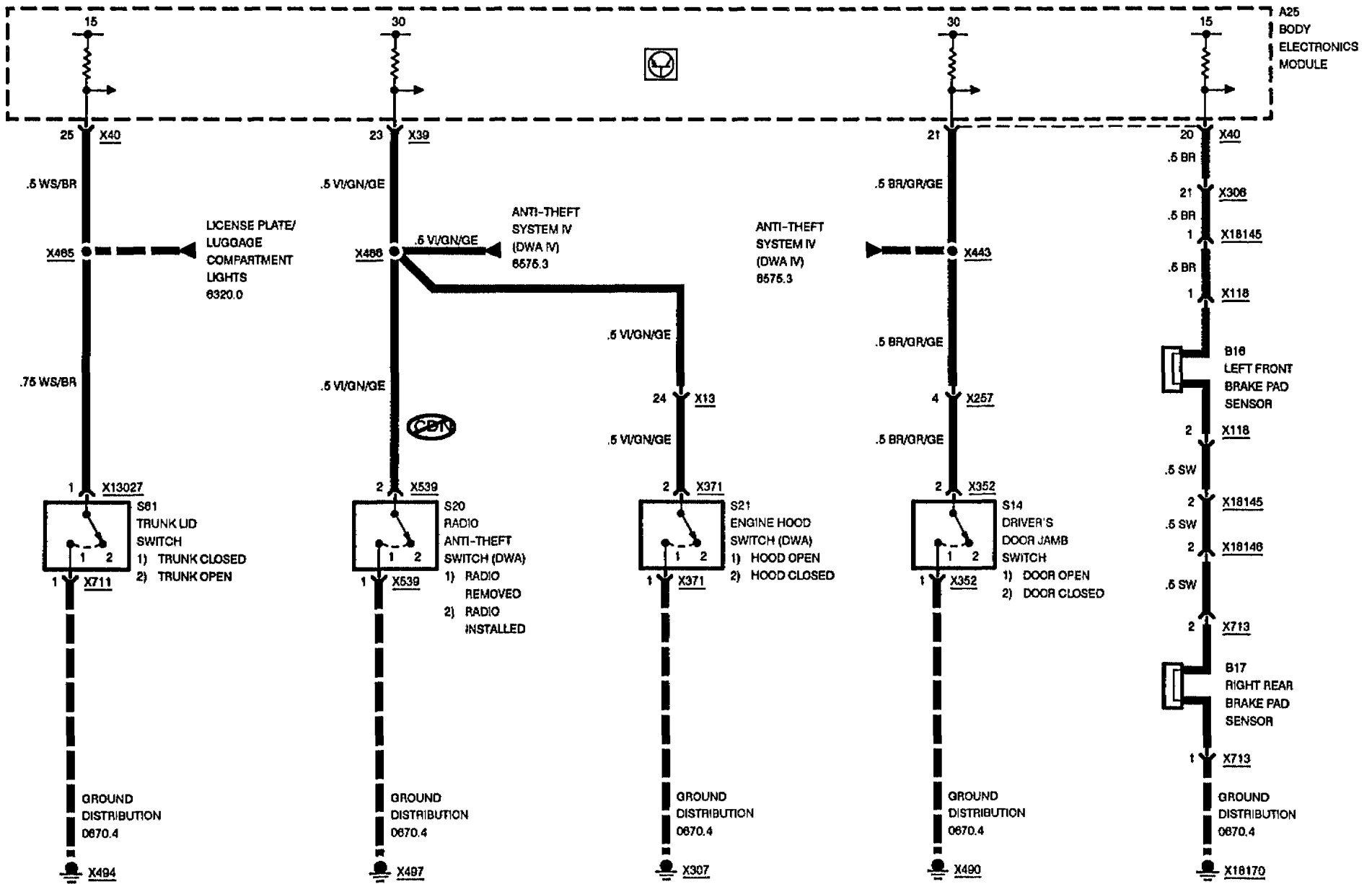


BODY ELECTRONICS MODULE (EKM)

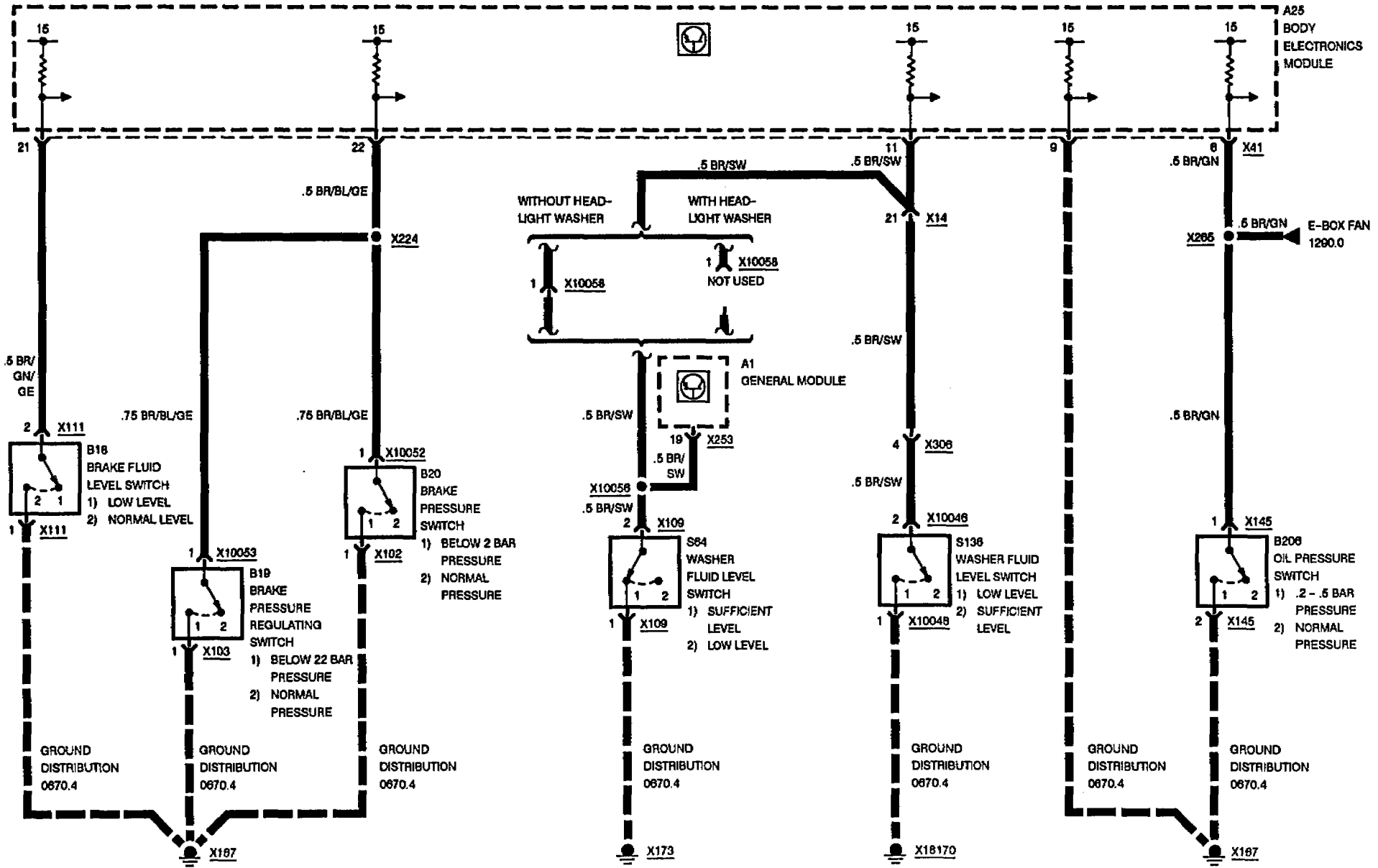




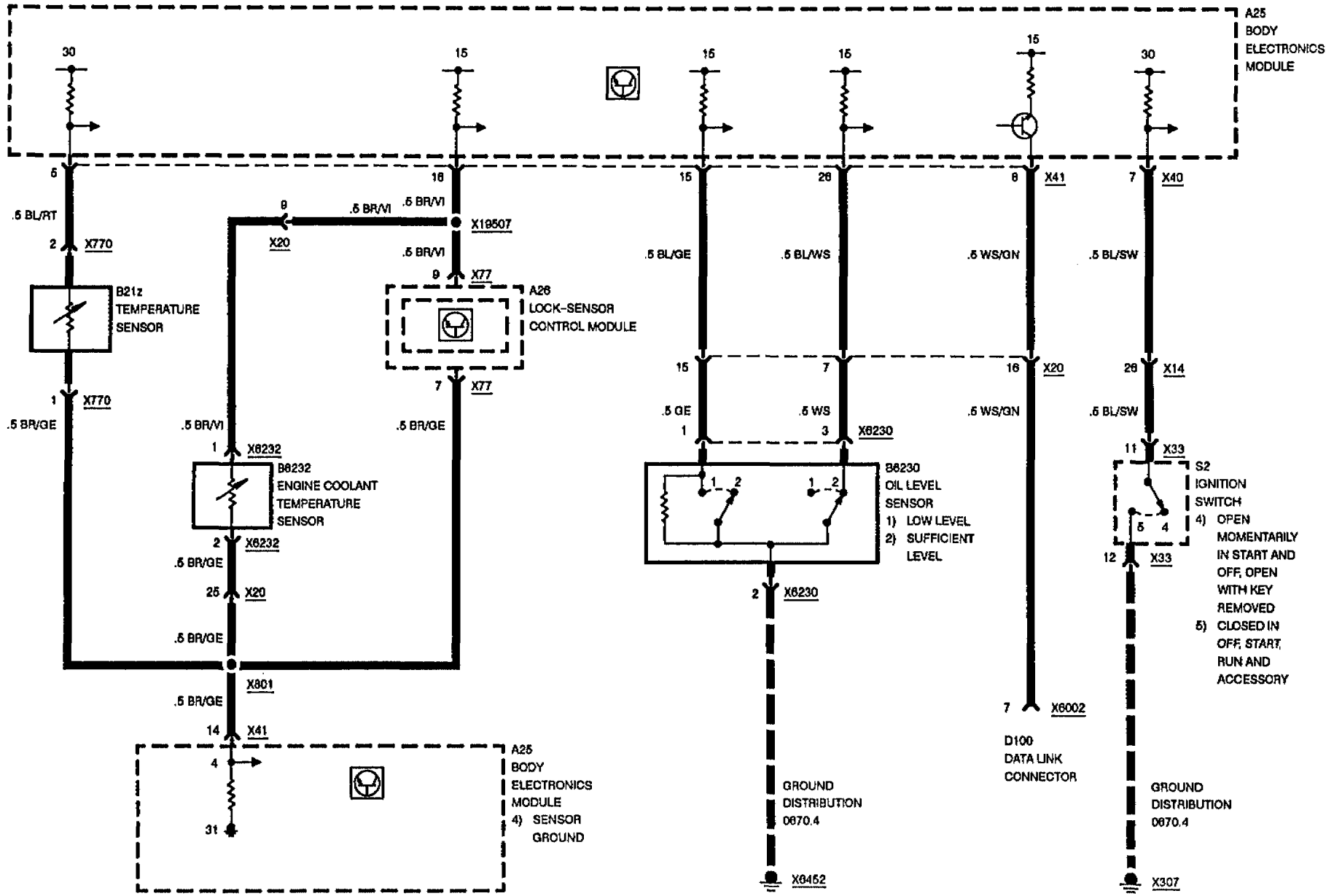
BODY ELECTRONICS MODULE (EKM)



BODY ELECTRONICS MODULE (EKM)

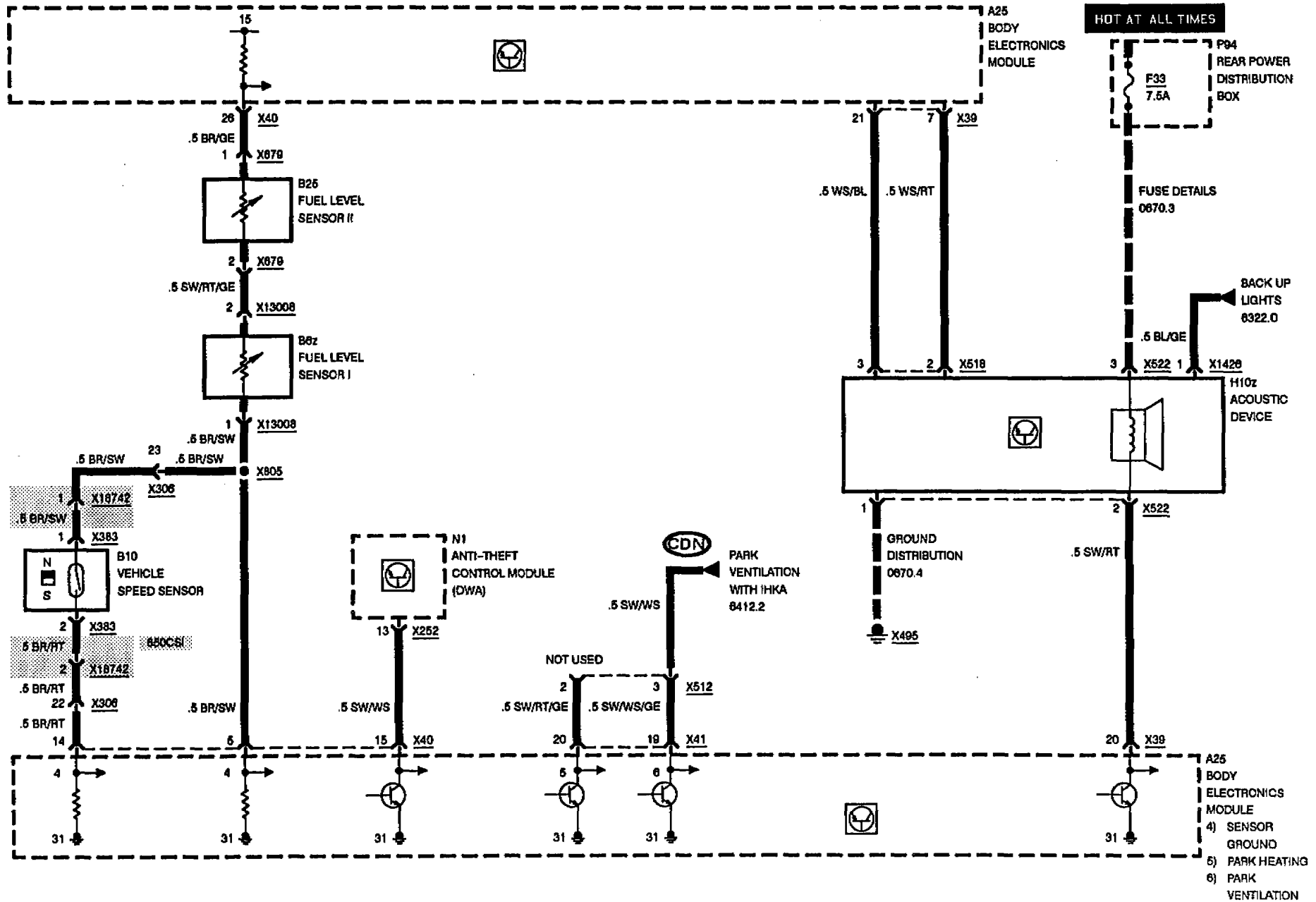


BODY ELECTRONICS MODULE (EKM)





BODY ELECTRONICS MODULE (EKM)



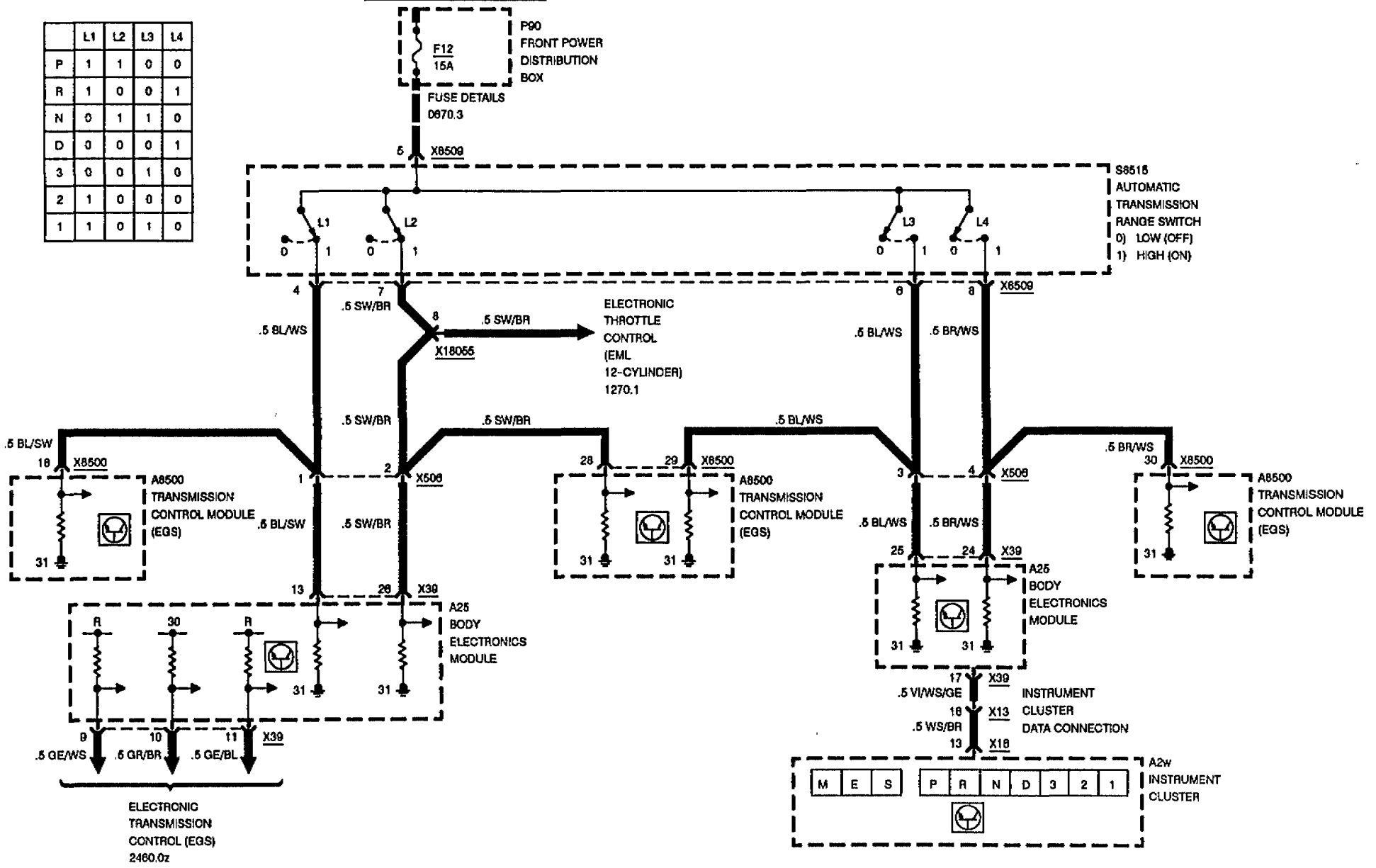


BODY ELECTRONICS MODULE (EKM)

850Ci

	L1	L2	L3	L4
P	1	1	0	0
R	1	0	0	1
N	0	1	1	0
D	0	0	0	1
3	0	0	1	0
2	1	0	0	0
1	1	0	1	0

HOT IN RUN AND START



12/94

6210.0-11

1994

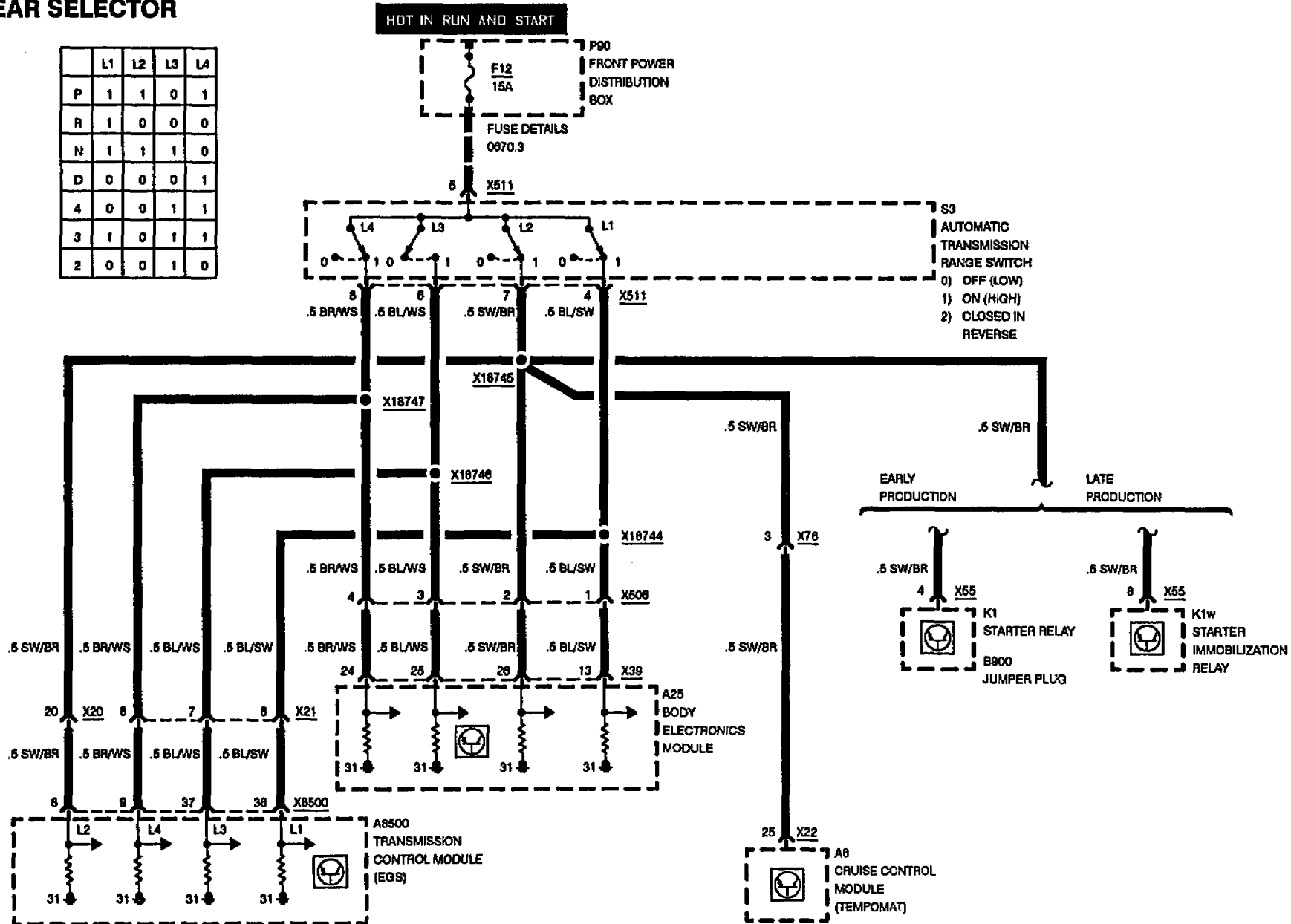


BODY ELECTRONICS MODULE (EKM)

840Ci

GEAR SELECTOR

	L1	L2	L3	L4
P	1	1	0	1
R	1	0	0	0
N	1	1	1	0
D	0	0	0	1
4	0	0	1	1
3	1	0	1	1
2	0	0	1	0



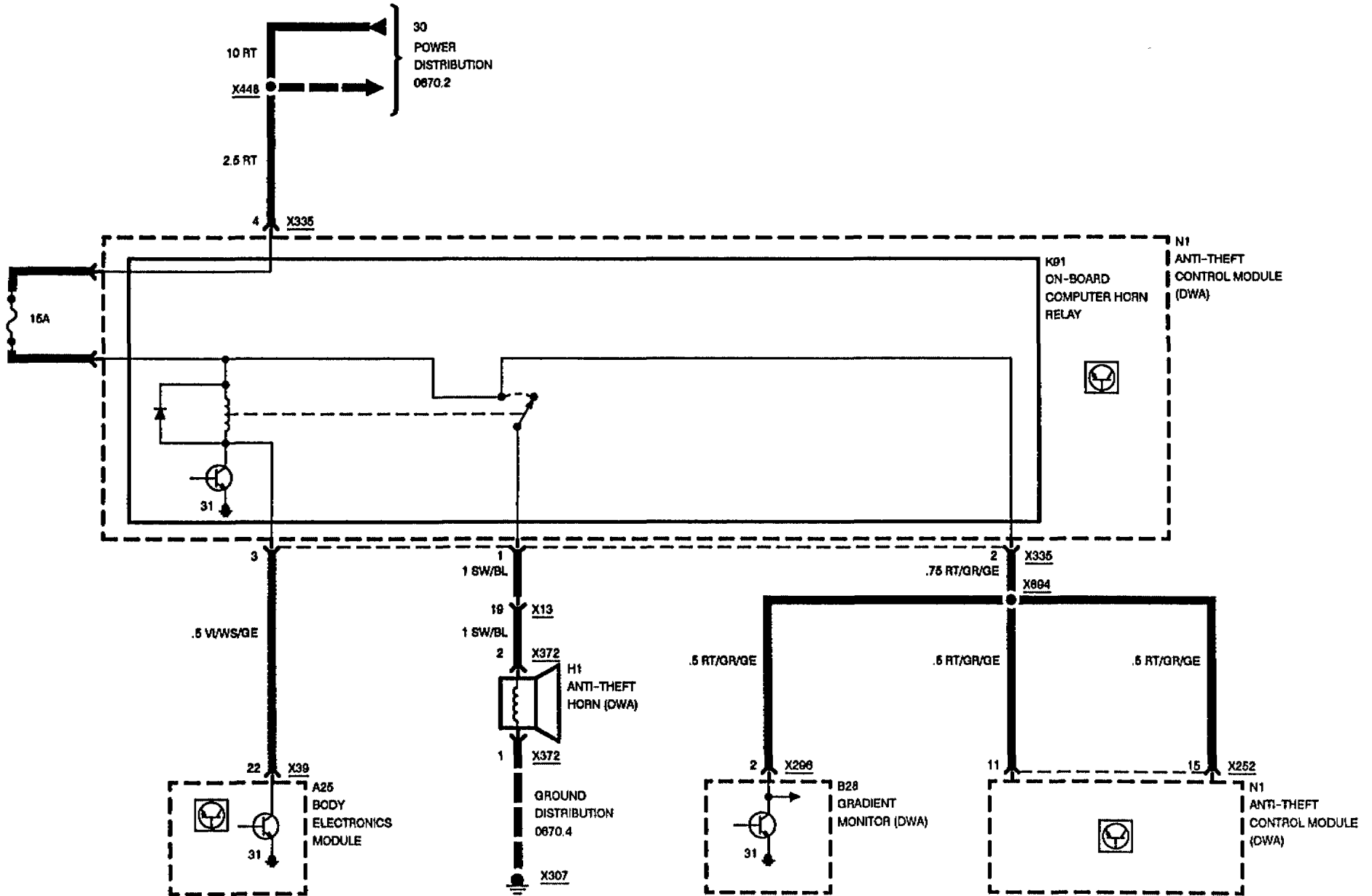
1294

6210.0-12

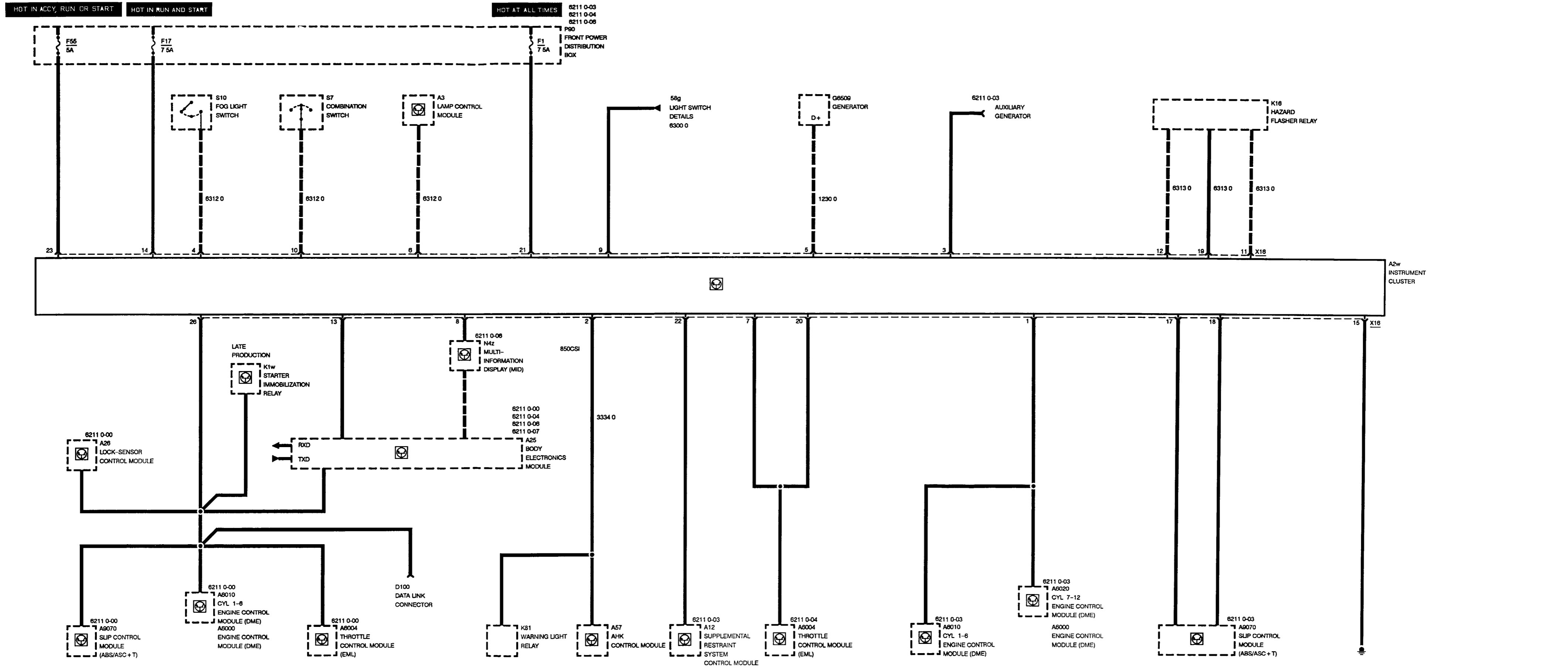
1994

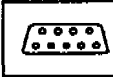


BODY ELECTRONICS MODULE (EKM)









Pin Assignments

X16

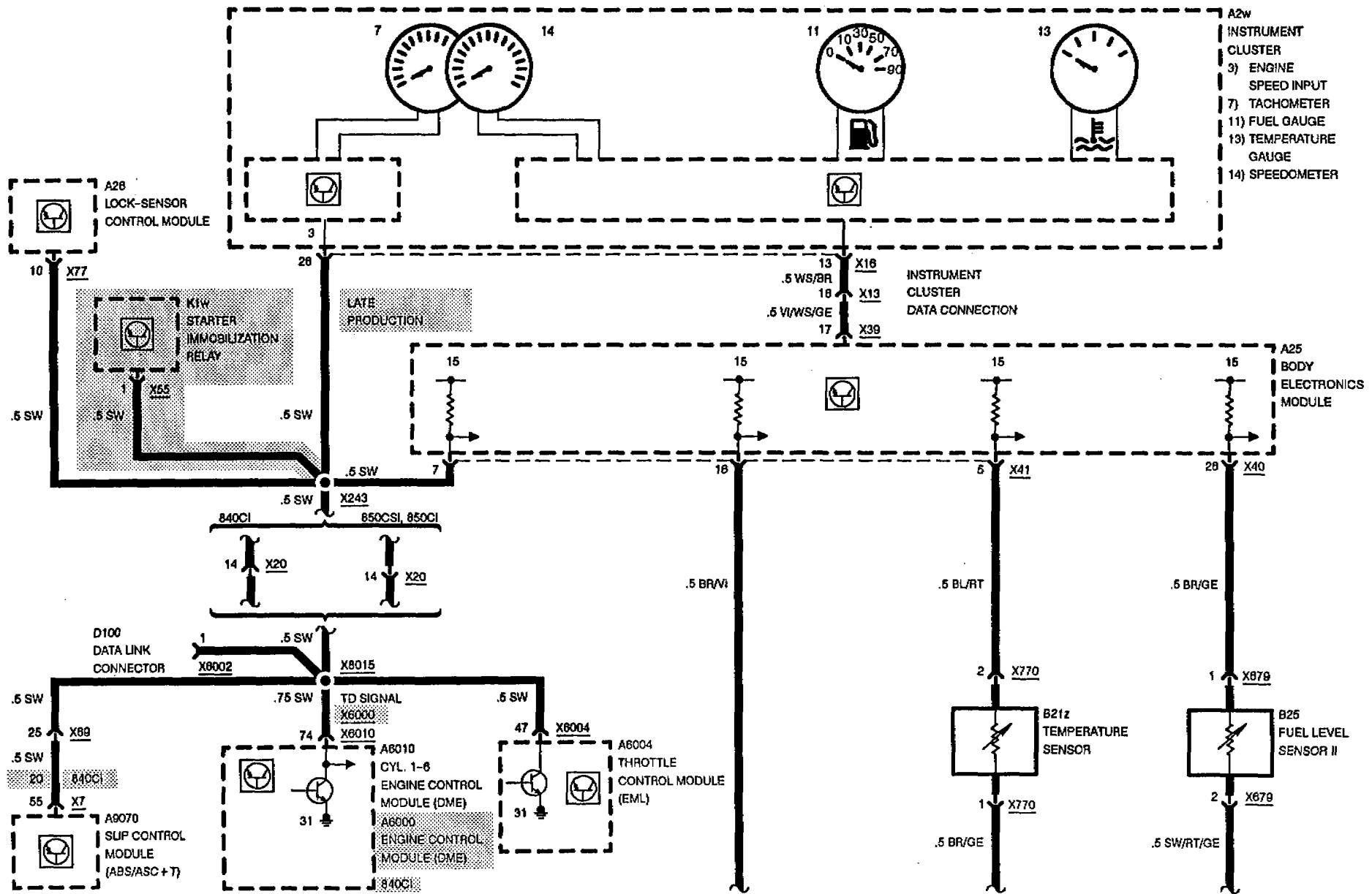
Pin	Type	Description/Function	Connection
1	E	Service reminder indicator (US only)	Engine control modules (DME)
2	E	Only 850CSi indicator lamp	Active rear axle kinematics (AHK)
3		Battery charge indicator lamp 2	Auxiliary generator
4	E	Rear fog light indicator lamp	Fog light switch
5		Battery charge indicator lamp 1	Generator
6	E	Fog light indicator light	Lamp control module
7	E	EML warning light	Electronic throttle control module (EML)
8	E	Display lighting electronically dimmed	Multi-information-display (MID)
9	E	Terminal 58g, switch and instrument lighting	Dimmer
10	E	High beam indicator	Combination switch
11	E	Right turn signal indicator	Hazard flasher relay
12	E	Left turn signal indicator	Hazard flasher relay
13	E/A	Serial interface - instrument cluster data link	Body electronics module (EKM)
14	E	Voltage (terminal 15)	Fuse
15	M	Ground	Ground point
16		Not used	
17	E	ASC + T indicator lamp	Slip control module (ASC + T)
18	E	ABS indicator lamp	Slip control module (ASC + T)
19	E	Trailer turn signal indicator	Hazard flasher relay
20	E	EML warning lamp	Electronic throttle control module (EML)
21	E	Voltage (terminal 30)	Fuse
22	E	Airbag warning lamp	Supplemental restraint system control module
23	E	Voltage (terminal R)	Fuse
24		Not used	
25		Not used	
26	E	Engine speed (rpm) signal (tD)	Cyl. 1 - 6 engine control module (DME)

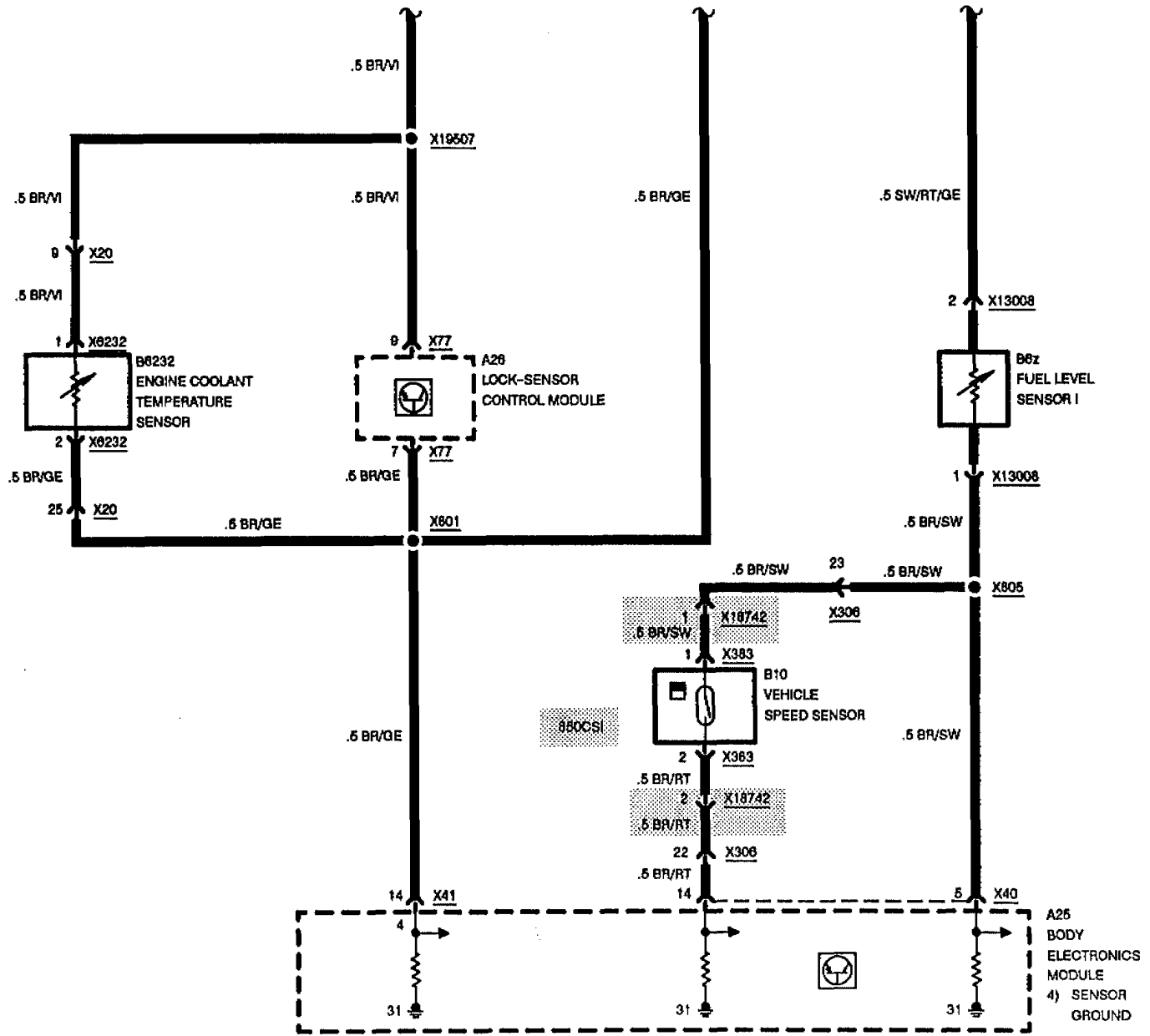
E = Input, A = Output, M = Ground



INSTRUMENT CLUSTER

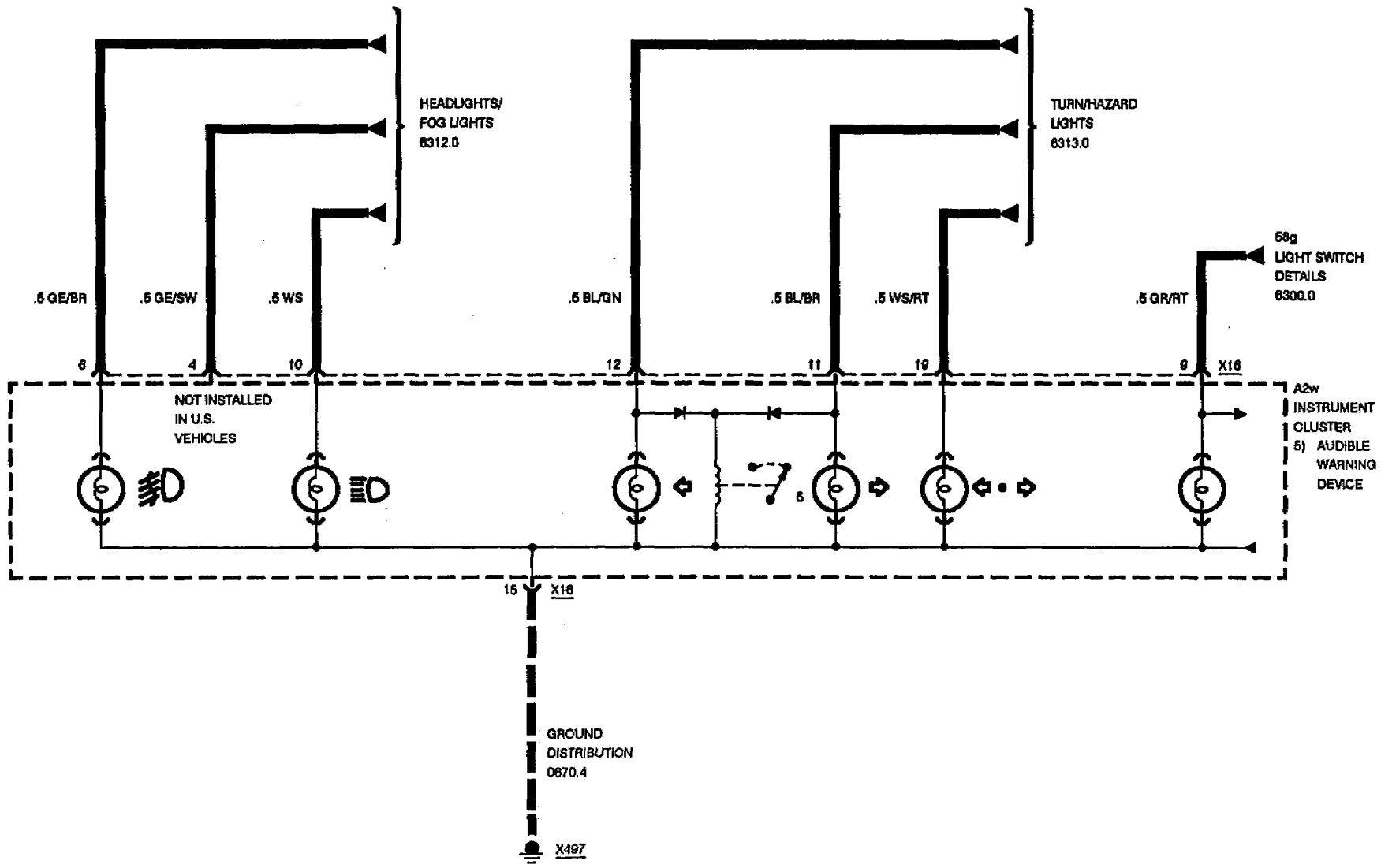
INDICATORS





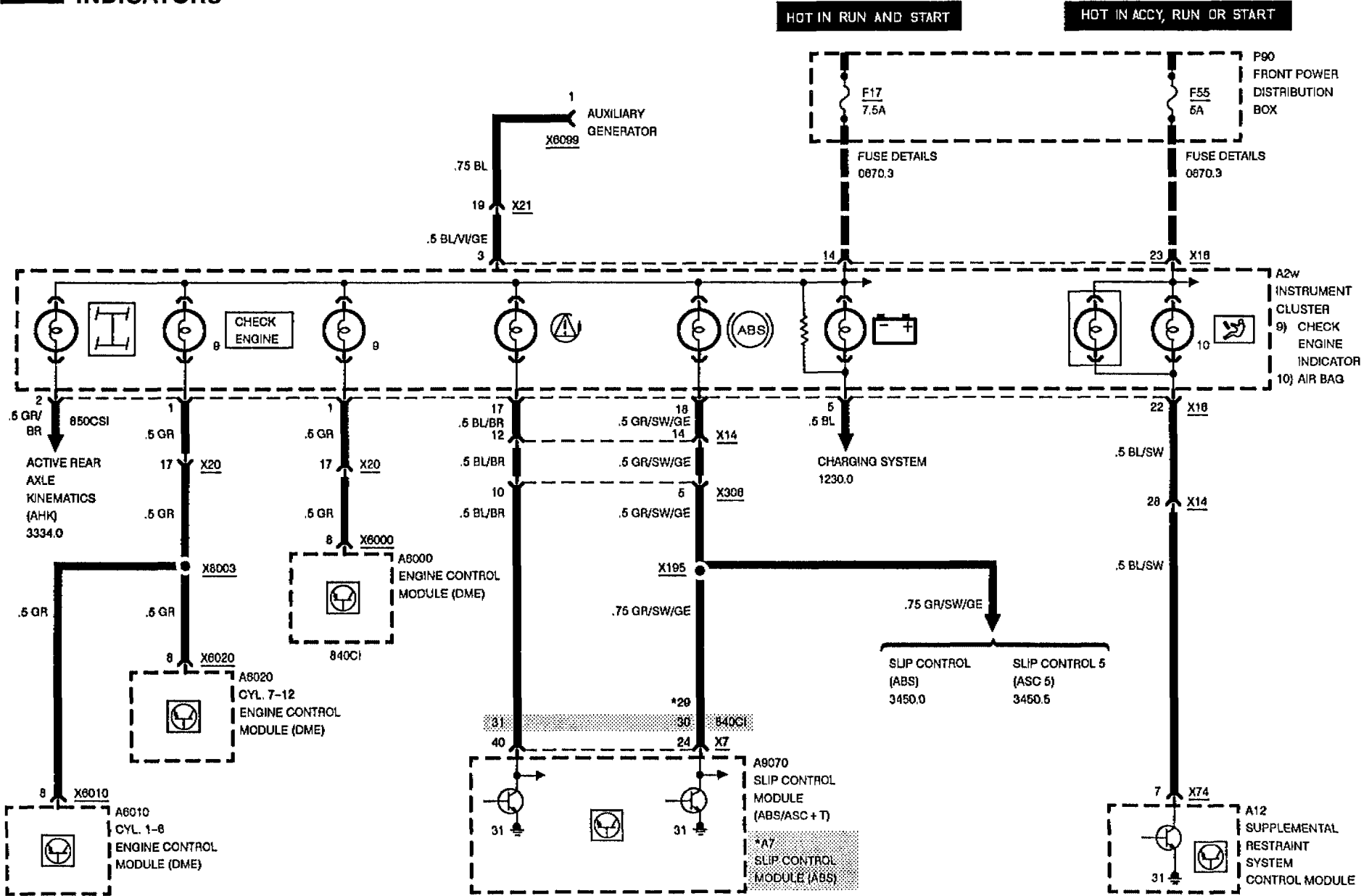


INSTRUMENT CLUSTER INDICATORS





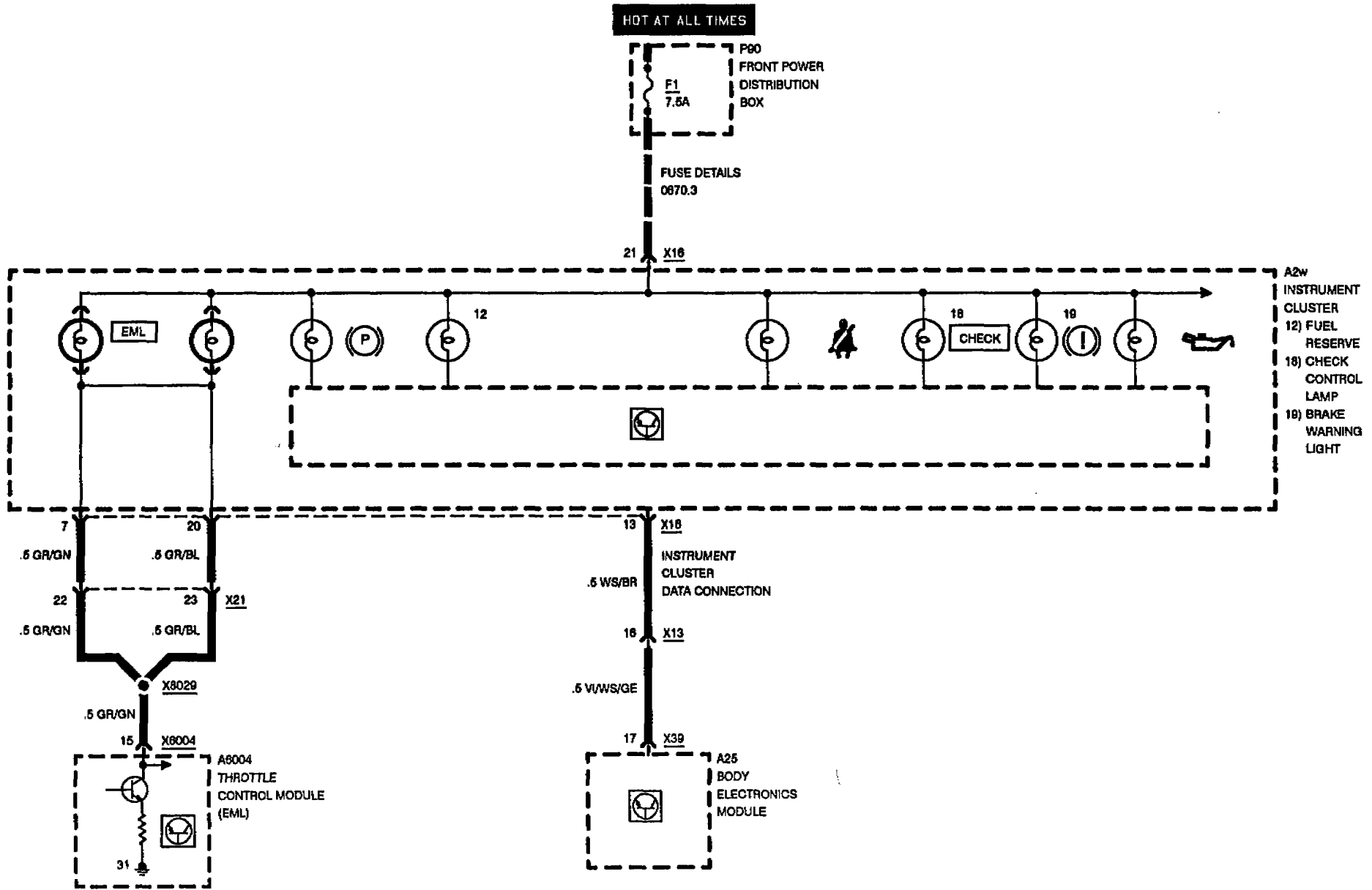
INSTRUMENT CLUSTER INDICATORS





INSTRUMENT CLUSTER

INDICATORS



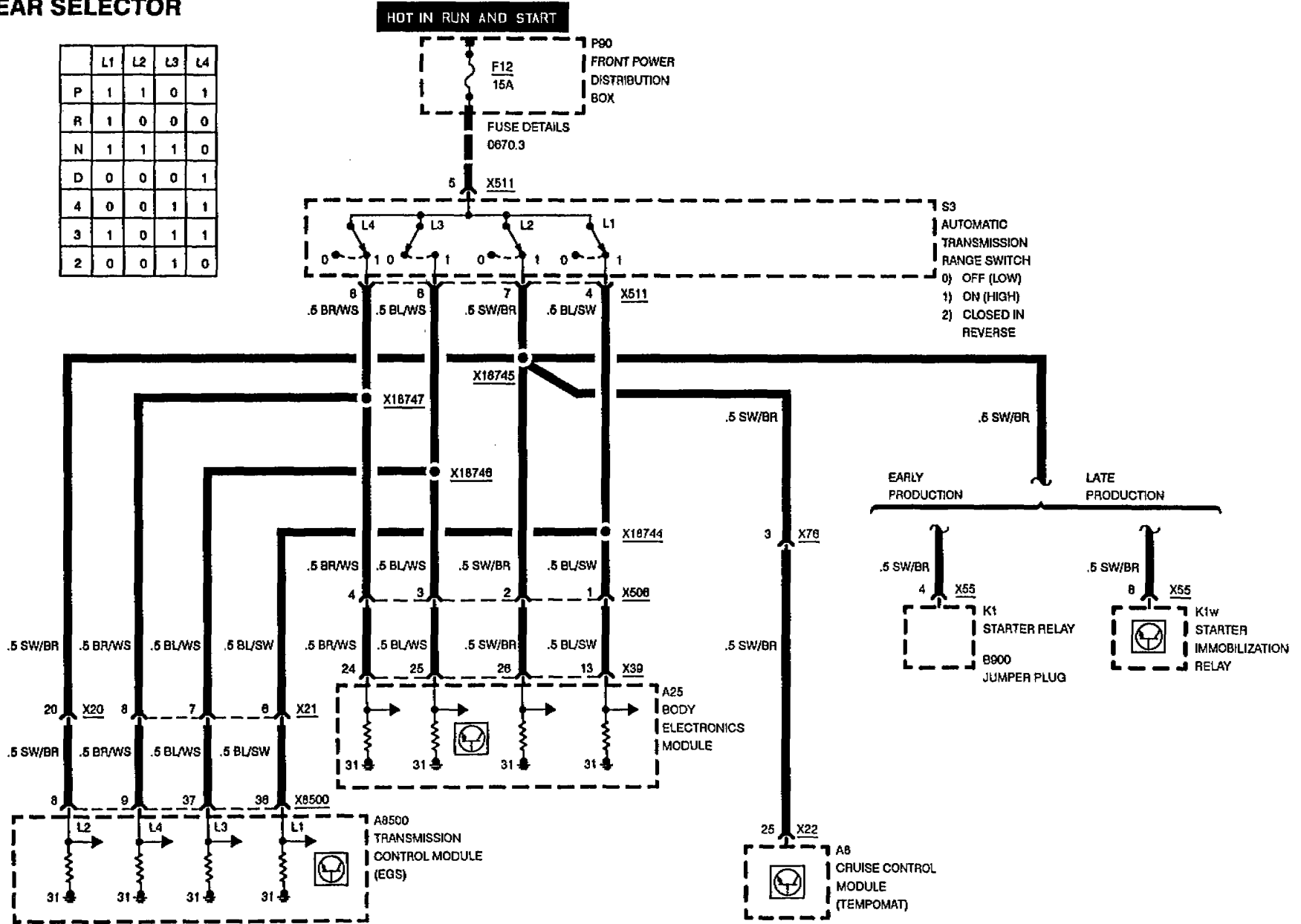


INSTRUMENT CLUSTER

GEAR SELECTOR

840Ci

	L1	L2	L3	L4
P	1	1	0	1
R	1	0	0	0
N	1	1	1	0
D	0	0	0	1
4	0	0	1	1
3	1	0	1	1
2	0	0	1	0





INSTRUMENT CLUSTER

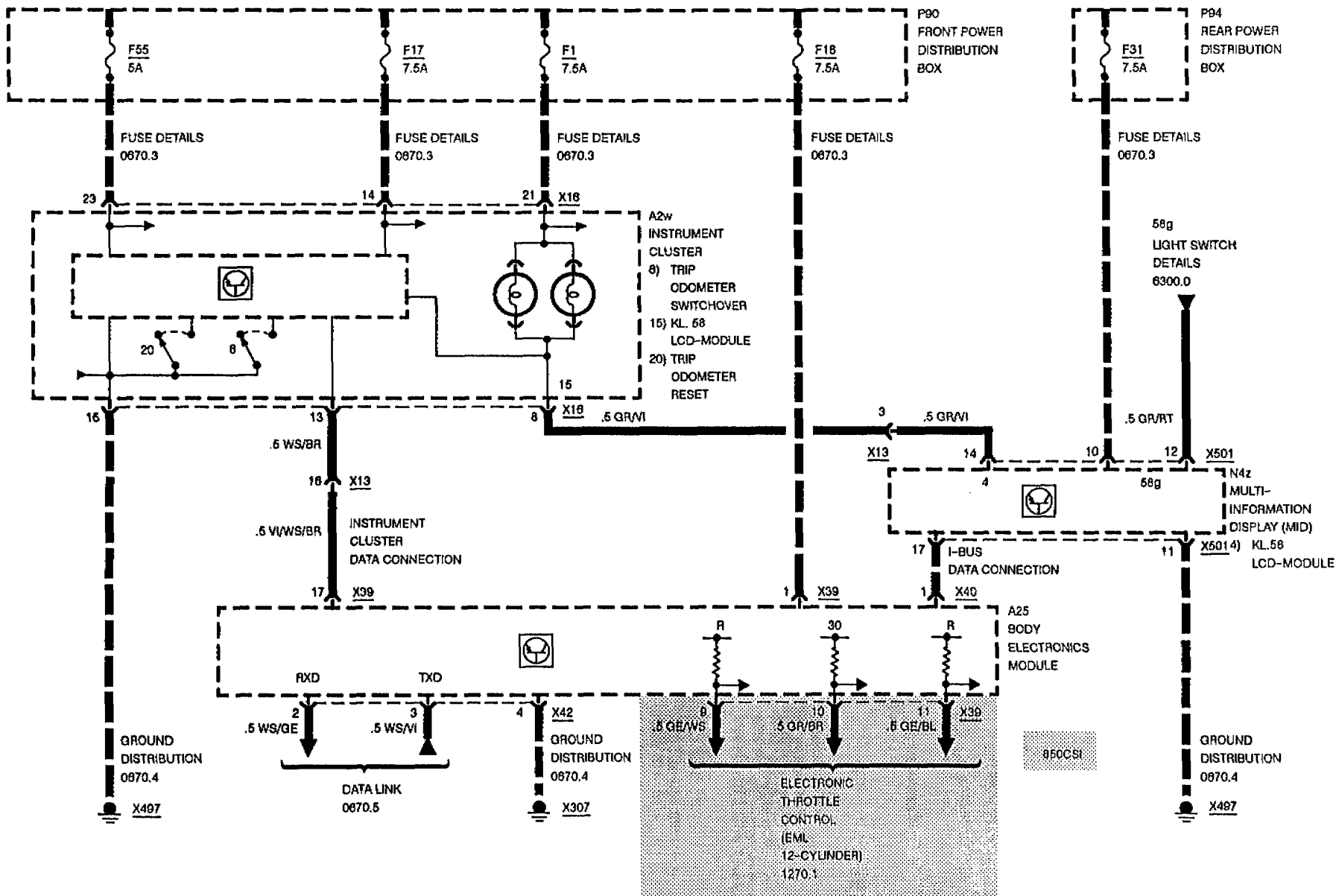
HOT IN ACCY, RUN OR START

HOT IN RUN AND START

HOT AT ALL TIMES

HOT IN ACCY, RUN OR START

HOT AT ALL TIMES



BMW
8

6211.0-08

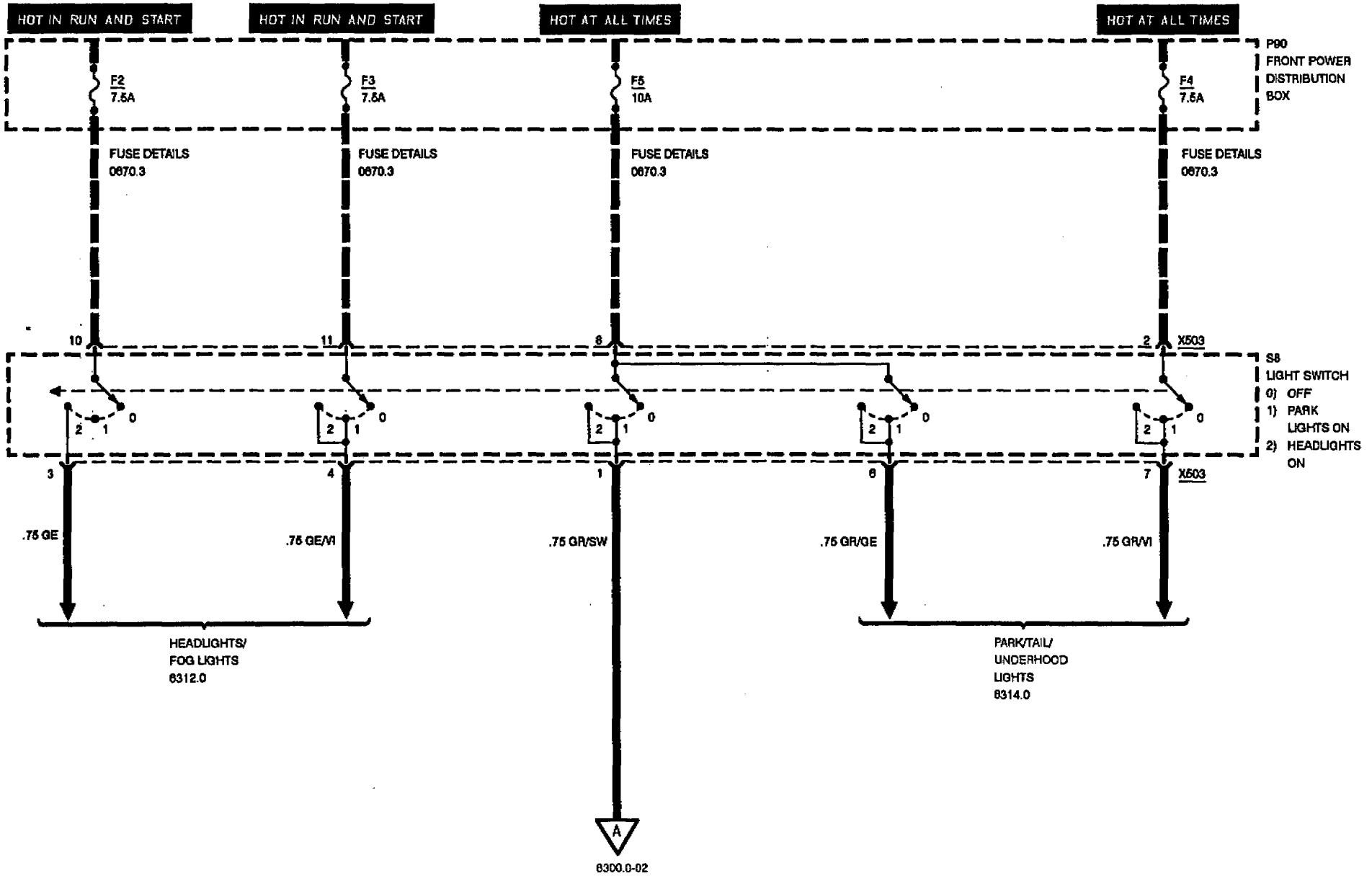
BMW
8

6300.0



LIGHT SWITCH DETAILS

USA



09/93

6300.0-00

1994

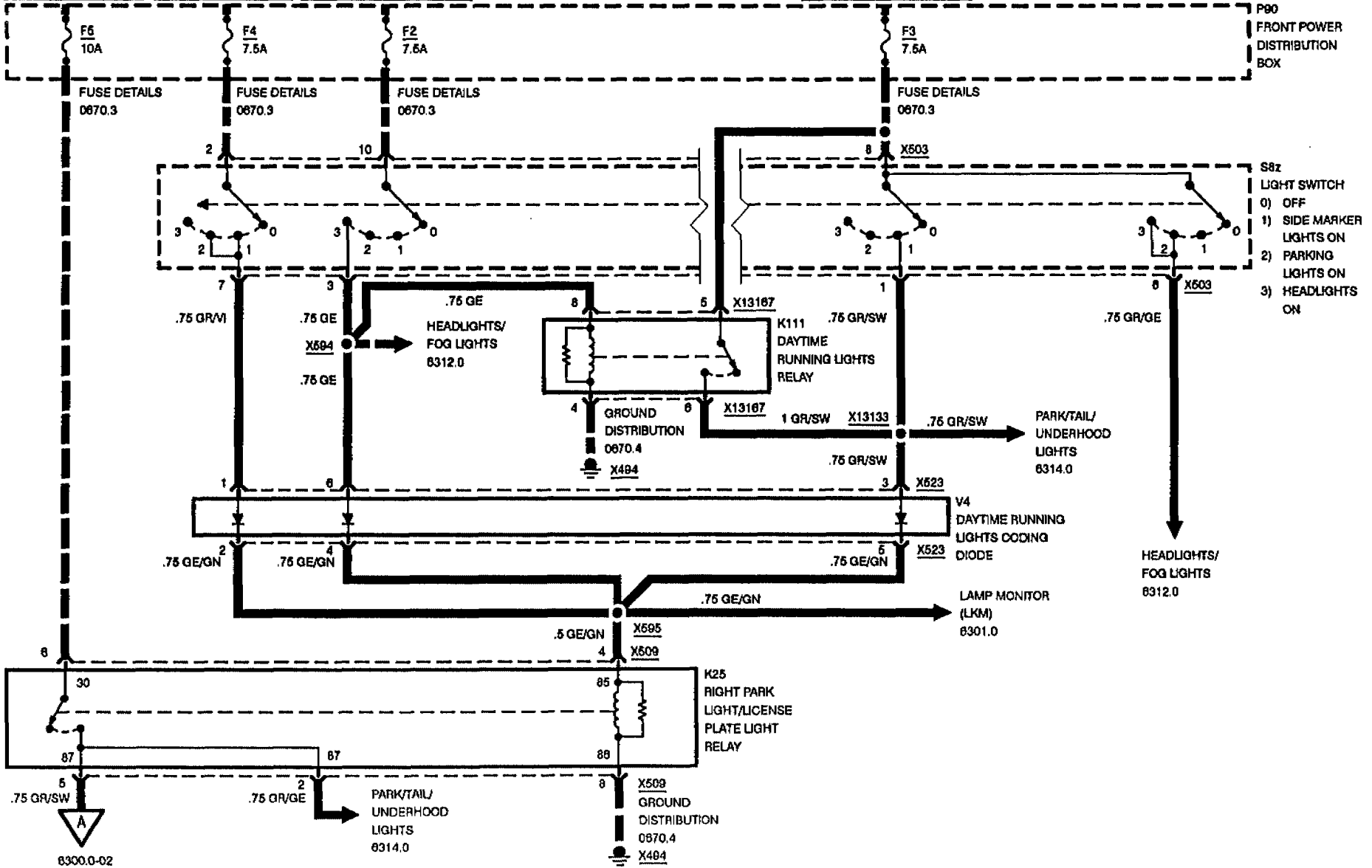
LIGHT SWITCH DETAILS

HOT AT ALL TIMES

HOT AT ALL TIMES

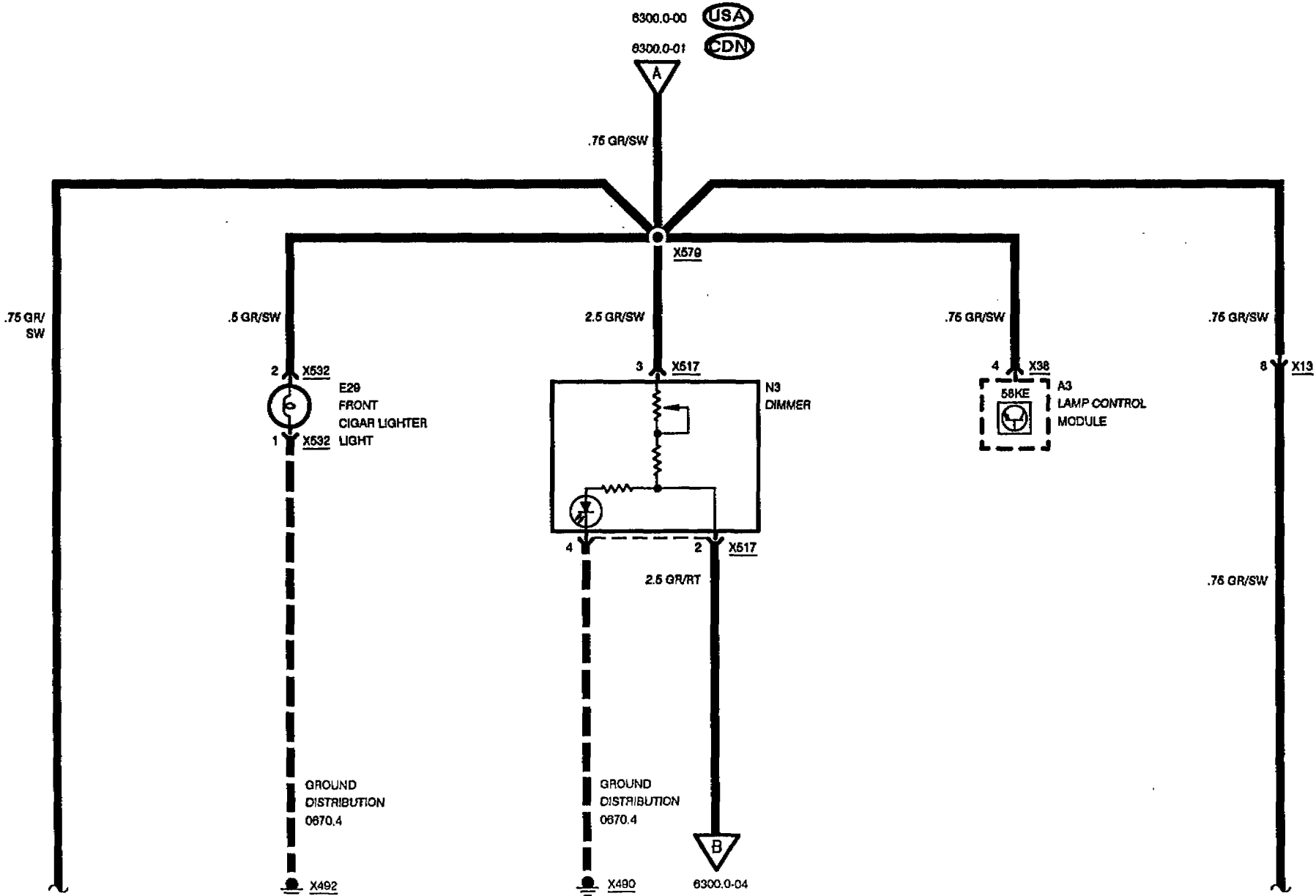
HOT IN RUN AND START

HOT IN RUN AND START





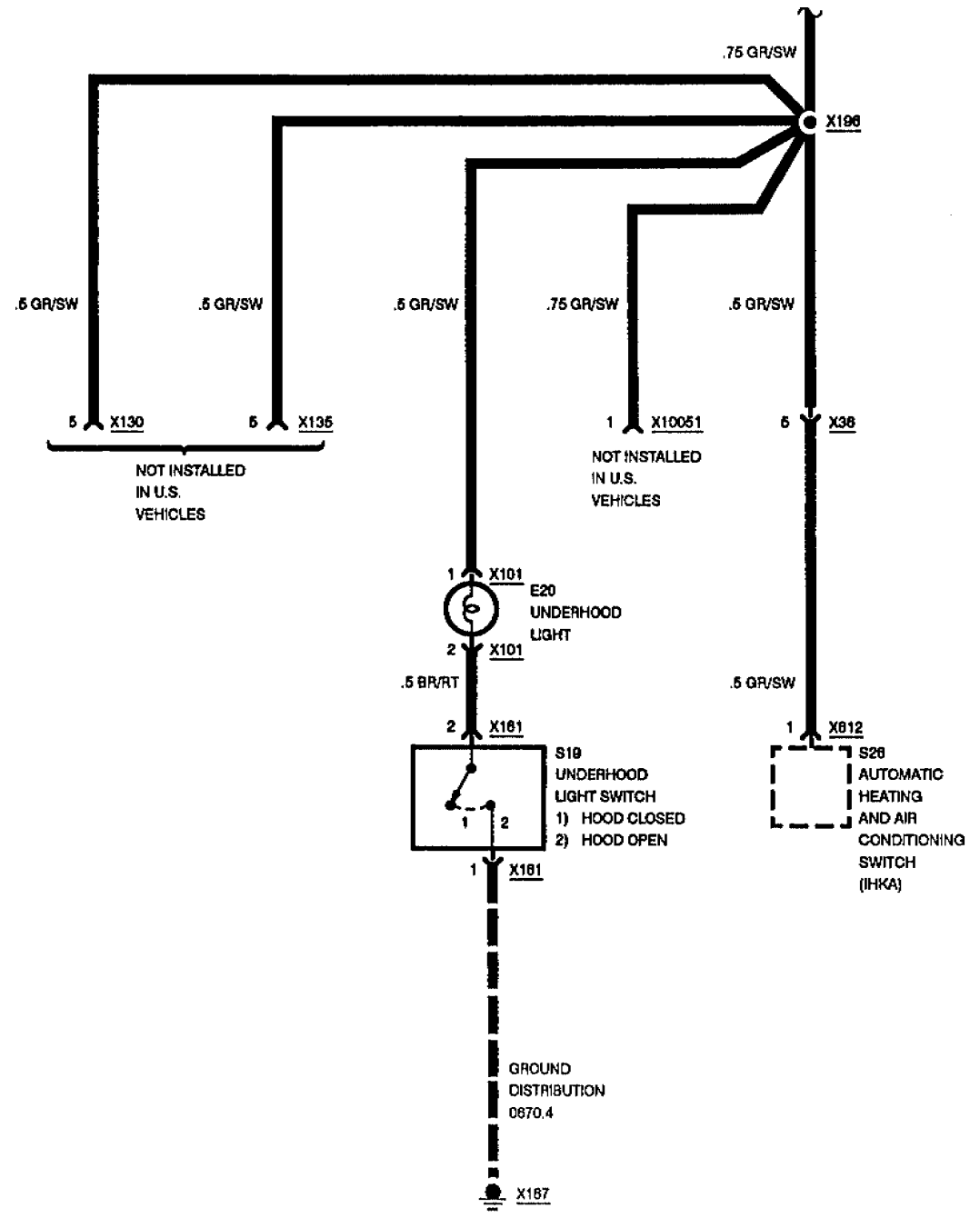
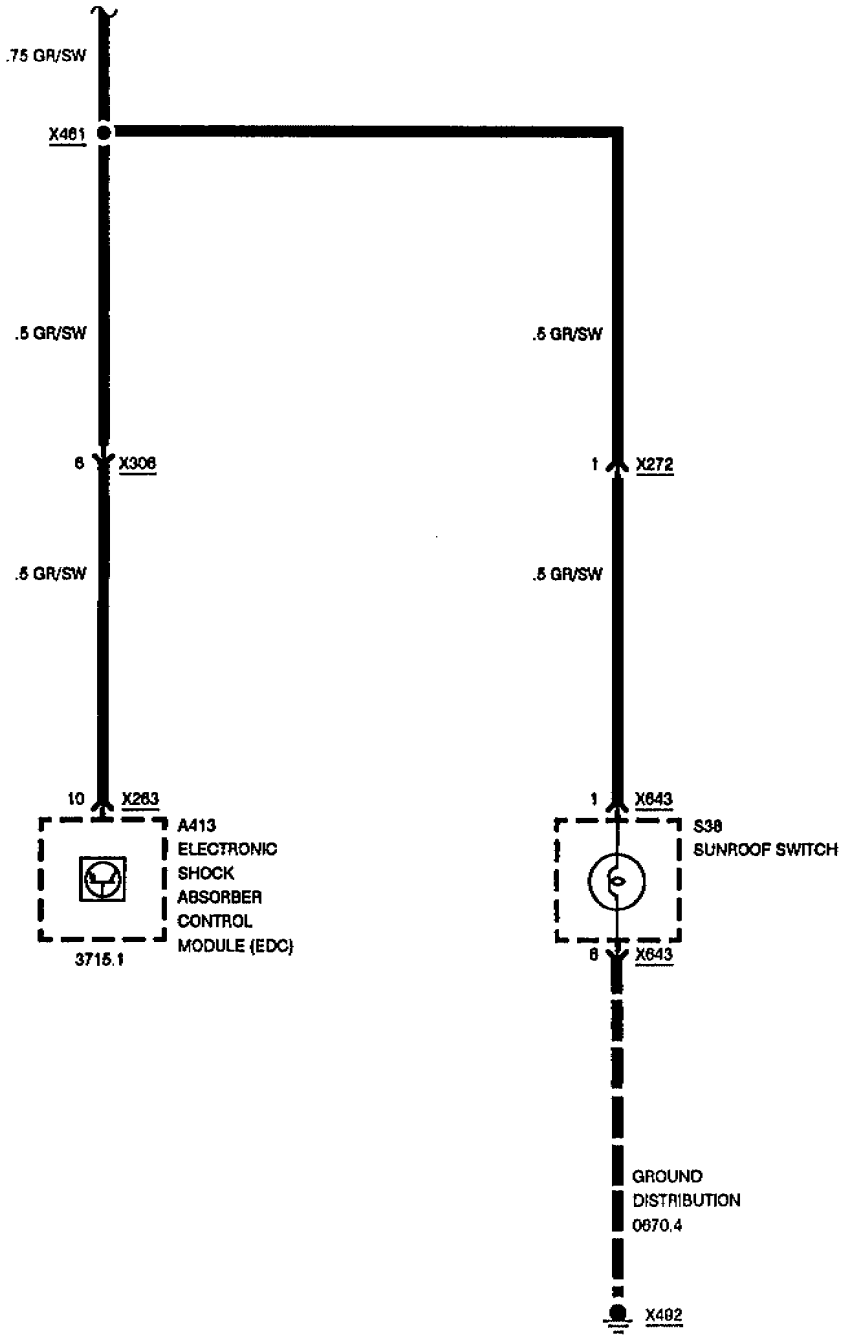
LIGHT SWITCH DETAILS



09/93

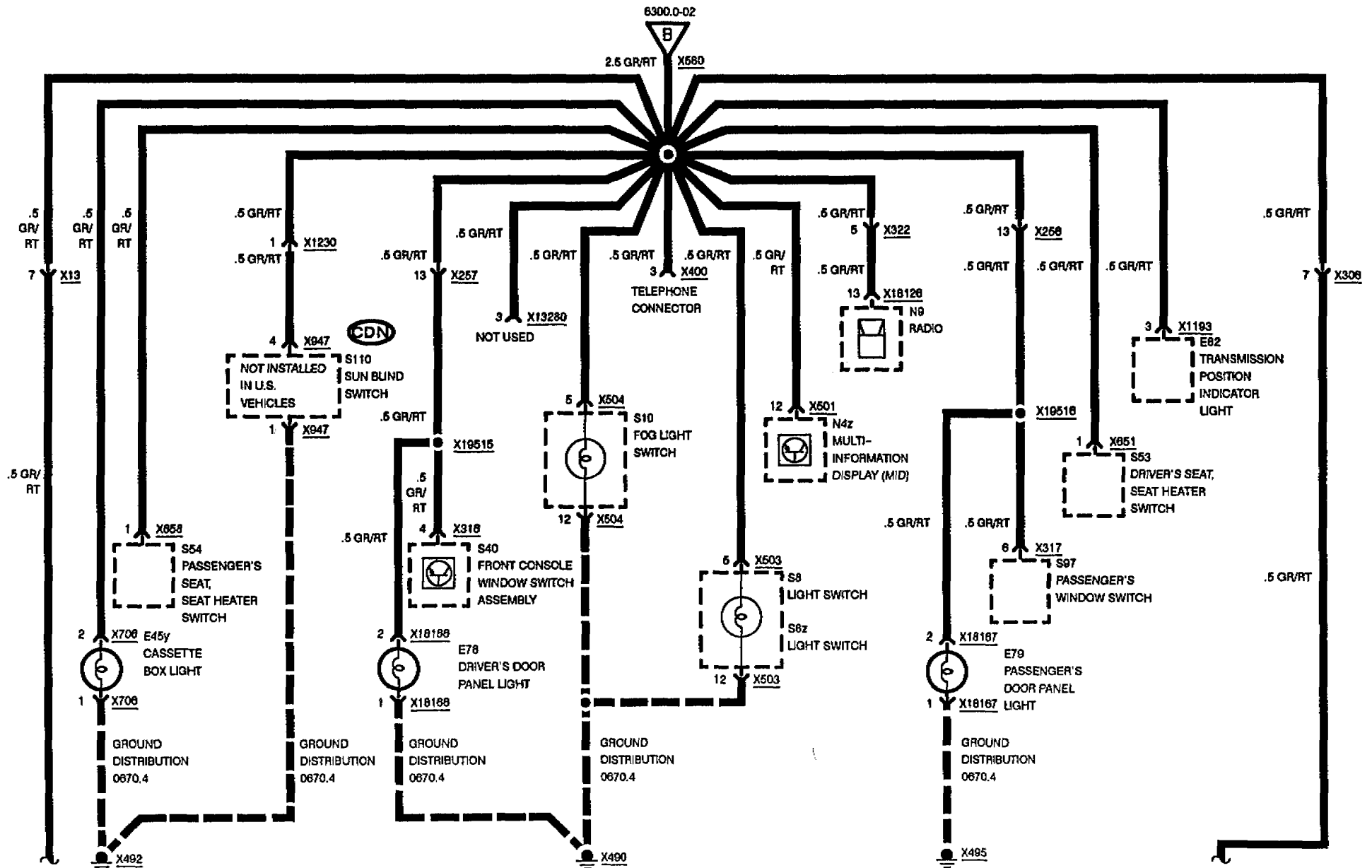
6300.0-02

1994





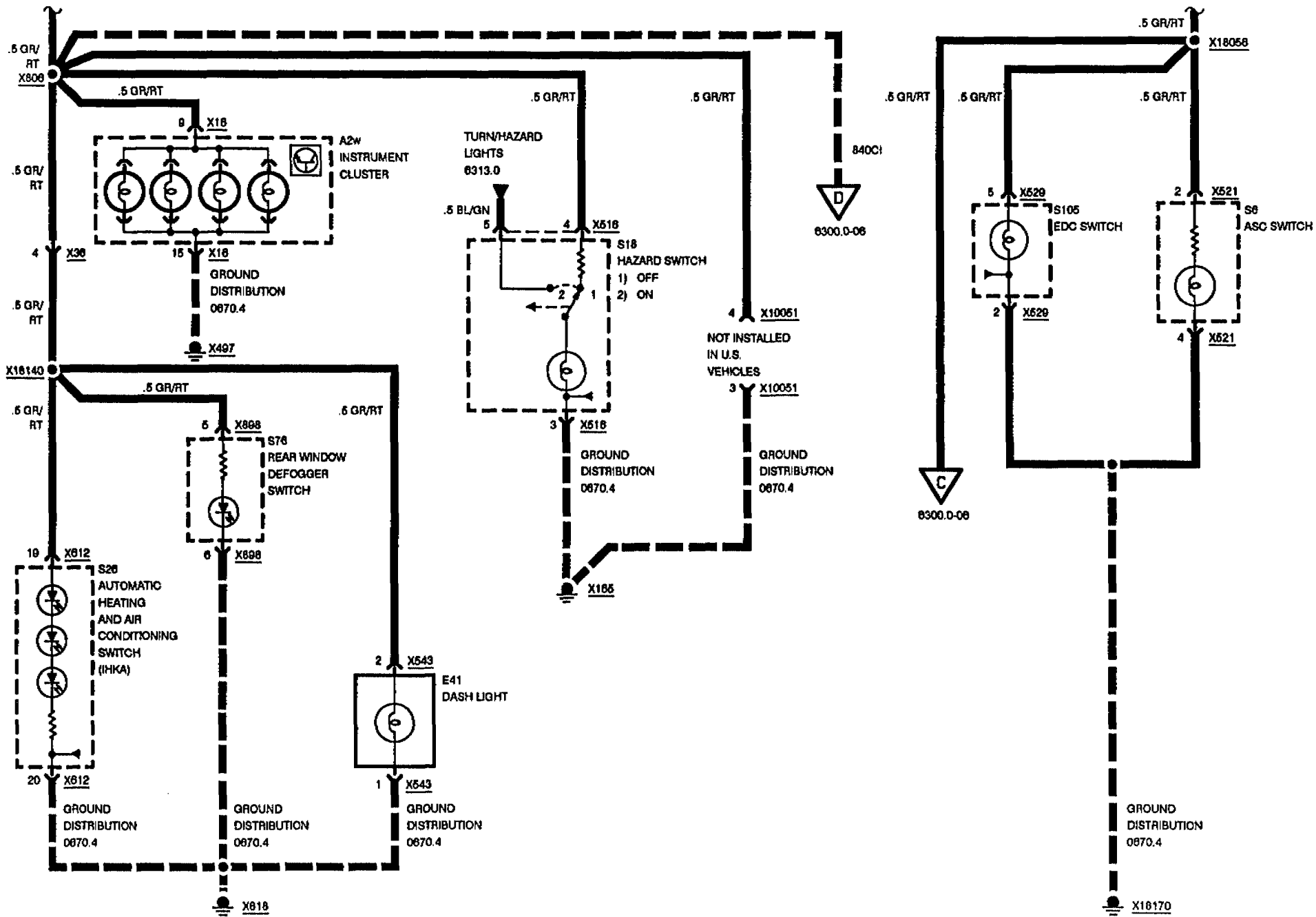
LIGHT SWITCH DETAILS



12/94

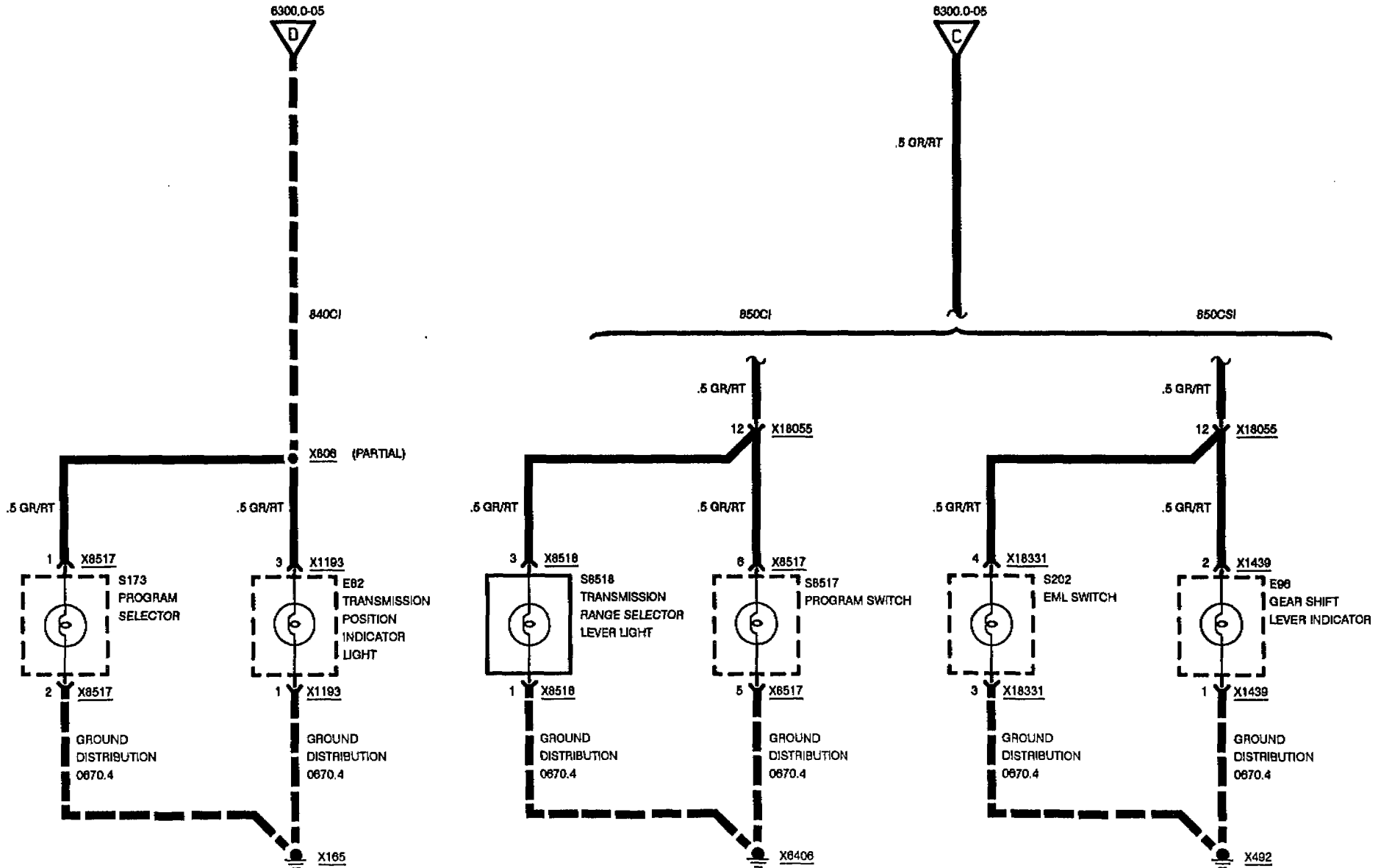
6300.0-04

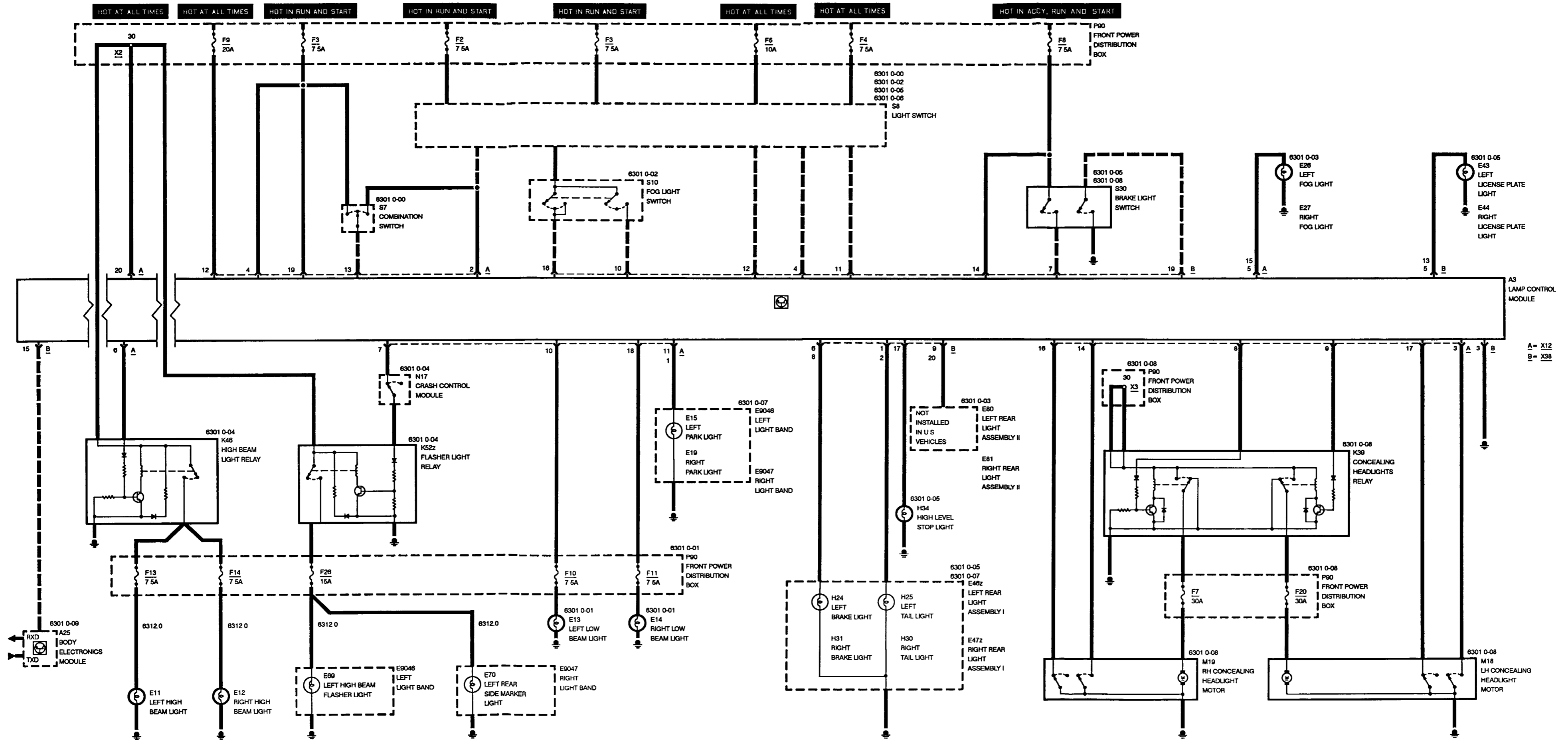
1/94

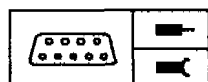




LIGHT SWITCH DETAILS







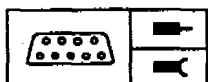
Pin Assignments

A=X12	20 pins, white
B=X38	20 pins, black

X12

Pin	Type	Description/Function	Connection
1	A	Right front parking light	Rear light assembly
2	E	Light switch/low beam	Light switch
3	E	Left KSW position signal (KSW position OPEN)	Left concealing headlight motor (KSW)
4	E	Power circuit for rear fog light, control circuit for fog lights, low beam, high beam/head- light flasher	Fuse
5	A	Right fog light	Right fog light
6	A	High beam relay (double relay high beam/headlight flasher)	High beam light relay
7	A	Headlight flasher relay (double relay high beam/headlight flasher)	Crash control unit
8	A	Right concealing headlight motor signal	Concealing headlight relay
9	A	Left concealing headlight motor signal	Concealing headlight relay
10	A	Left low beam	Left low beam light
11	A	Left front parking light	Left light assembly
12	E	Power circuit for fog lights	Fuse
13	E	High beam	Combination switch
14	E	Right KSW position signal (KSW position OPEN)	Right concealing headlight motor (KSW)
15	A	Left fog light	Left fog light
16	E	Right KSW position signal (KSW position CLOSED)	Right concealing headlight motor (KSW)
17	E	Left KSW position signal (KSW position CLOSED)	Left concealing headlight motor (KSW)
18	A	Right low beam	Right low beam light
19	E	Voltage supply terminal 15/control circuit	Fuse
20	E	Voltage supply terminal 30/control circuit	Power distribution box

E = Input, A = Output, M = Ground



Pin Assignments

X38

Pin	Type	Description/Function	Connection
1	A	Left tail light	Left tail light
2	A	Right tail light	Right tail light
3	M	Ground	Ground point
4	E	License plate light signal	Light switch
5	A	Right license plate light	Right license plate light
6	A	Left brake light	Left brake light
7	E	Brake light signal	Brake light switch
8	A	Right brake light	Right brake light
9	A	Left rear fog light	Left rear light assembly
10	E	Rear fog light voltage	Fog light switch
11	E	Left parking light voltage	Light switch/left park light relay
12	E	Right parking light voltage	Light switch/right park light relay
13	A	Left license plate light	Left license plate light
14	E	Brake lights voltage	Fuse
15	E/A	I-bus/data link	All control units with I-bus
16	E	Fog light voltage	Fog light switch
17	A	High level stop light	High level stop light
18		Not used	
19	E	Brake pedal status	Brake light test switch
20	A	Right fog light	Right rear light assembly

E = Input, A = Output, M = Ground

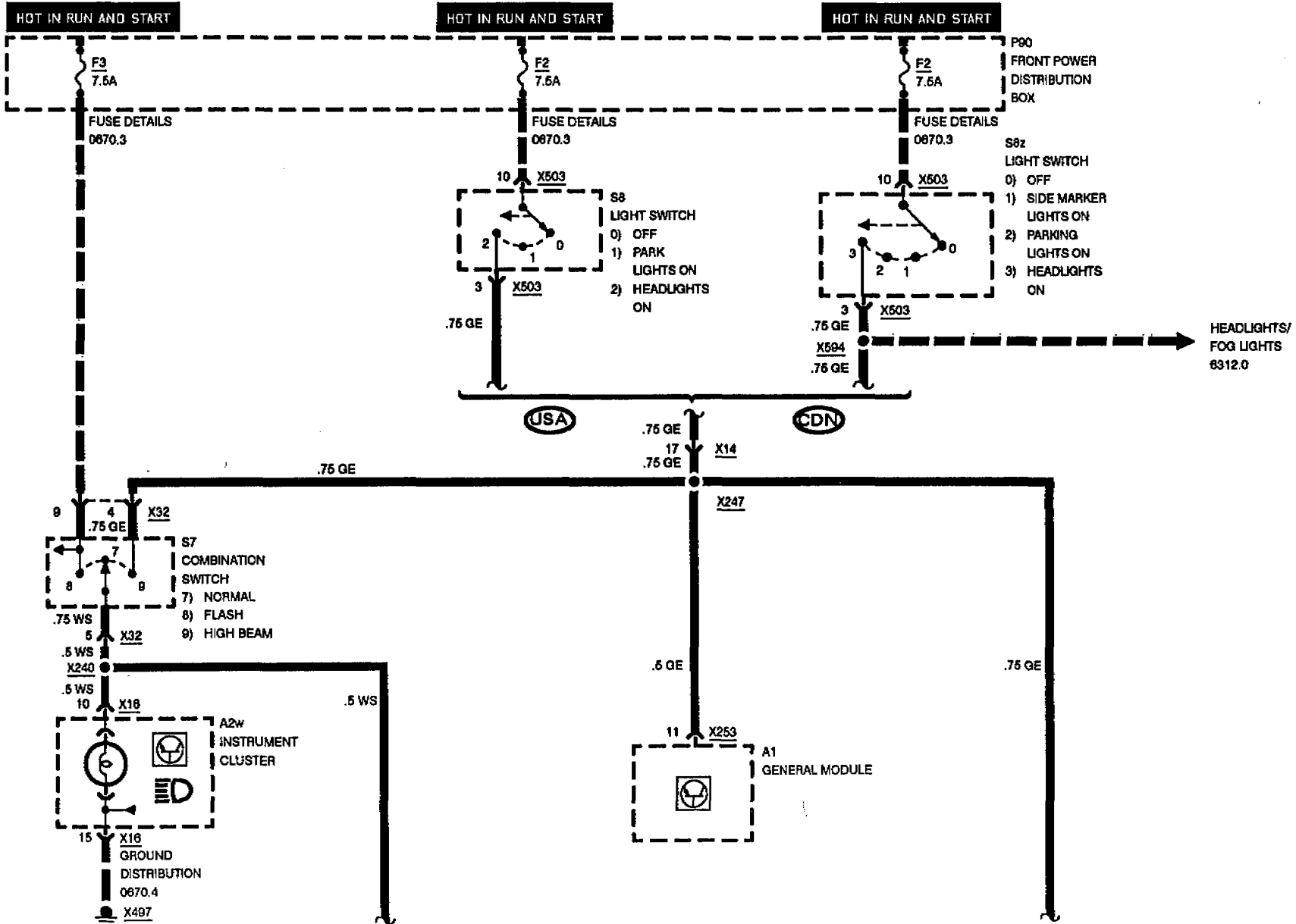
BMW
8

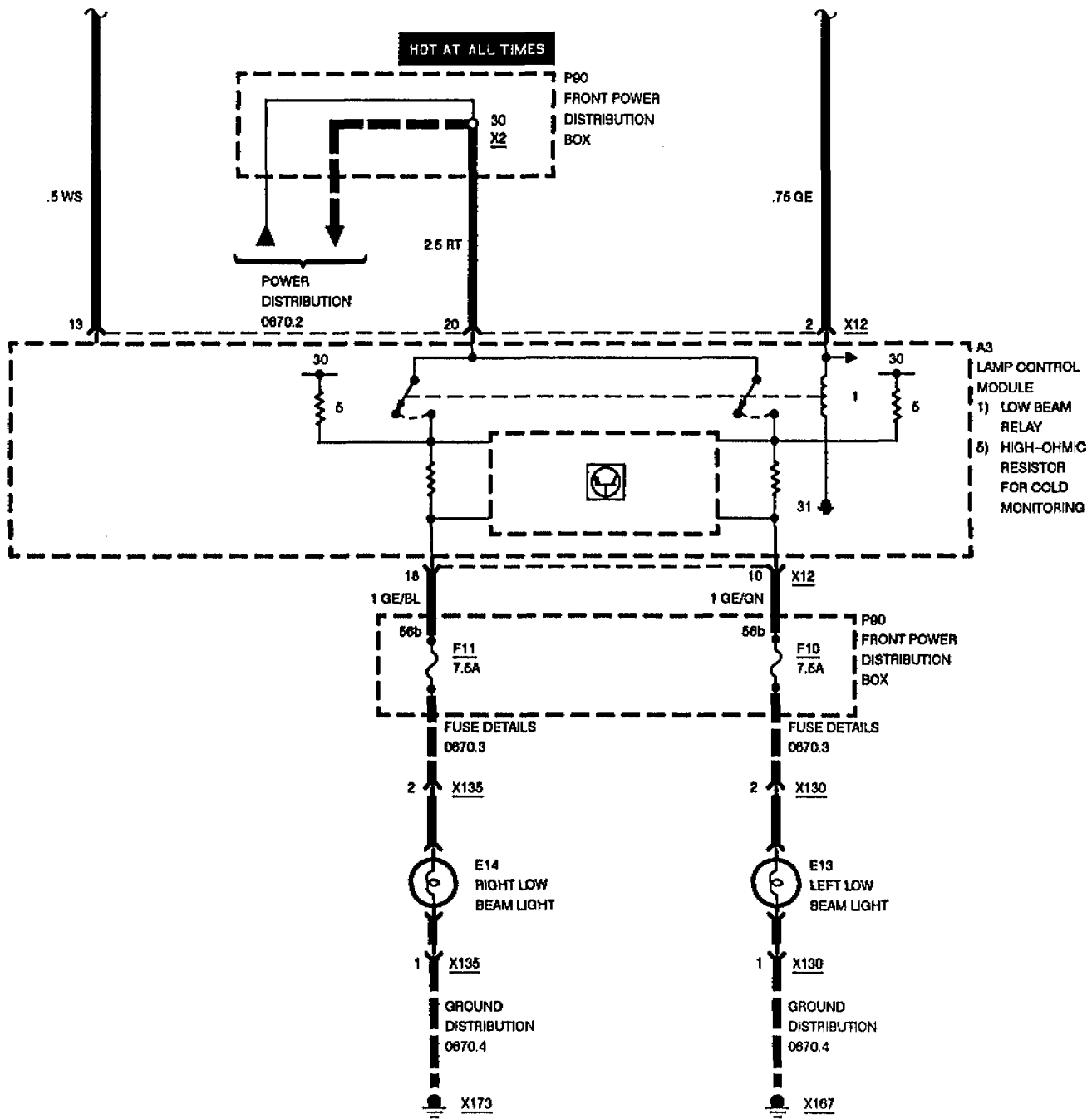
6301.0



LAMP MONITOR (LKM)

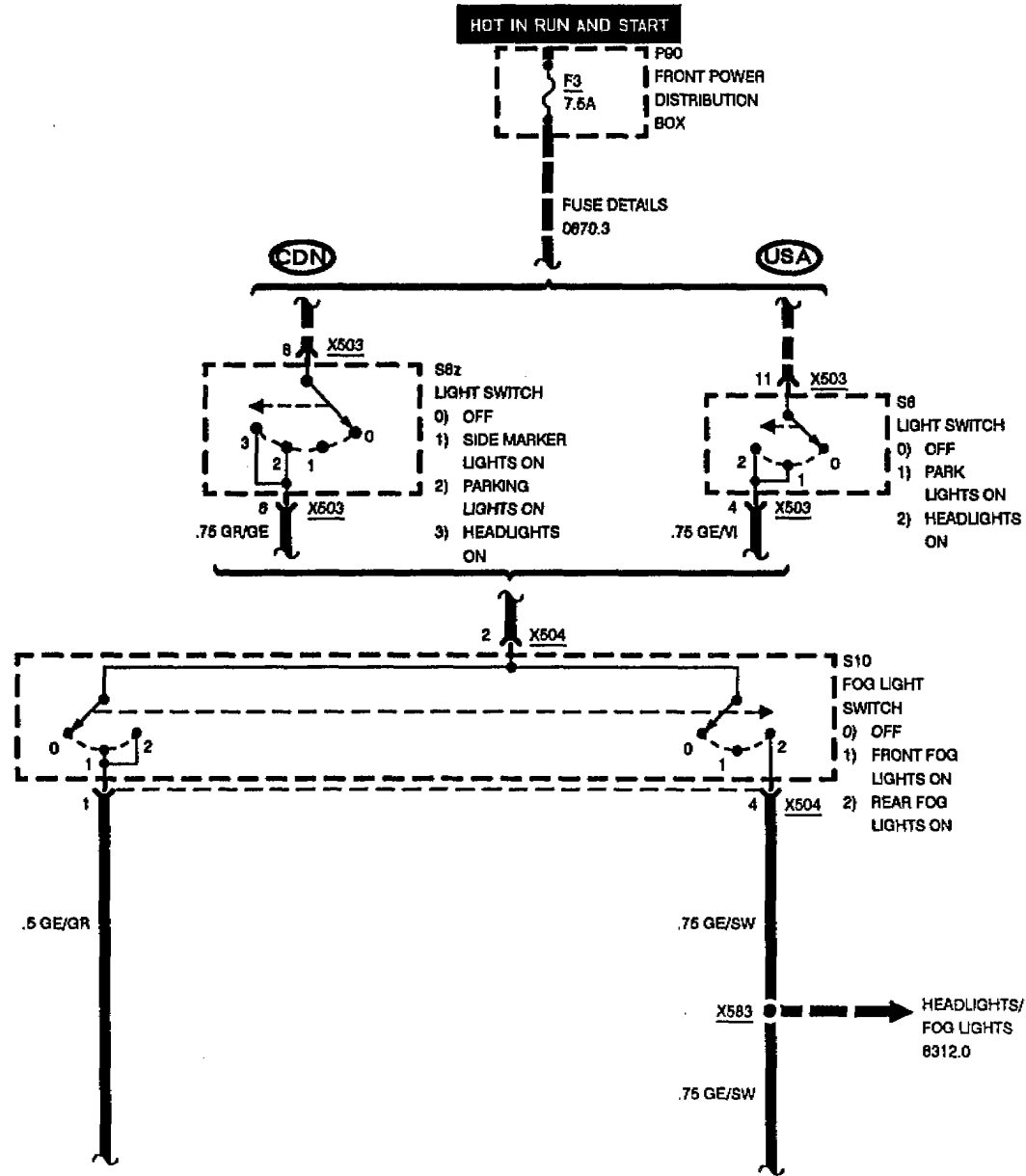
HEADLIGHTS

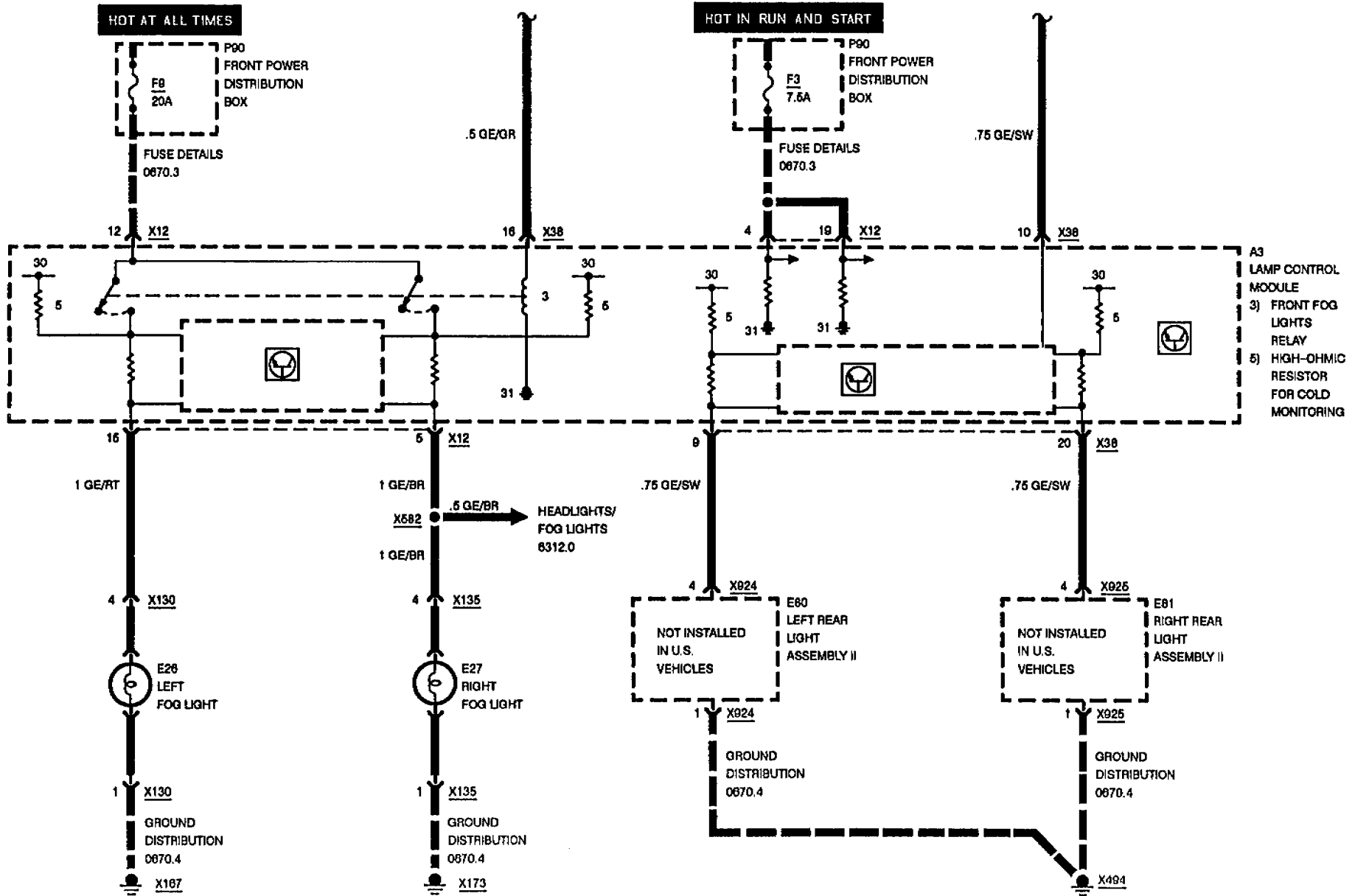




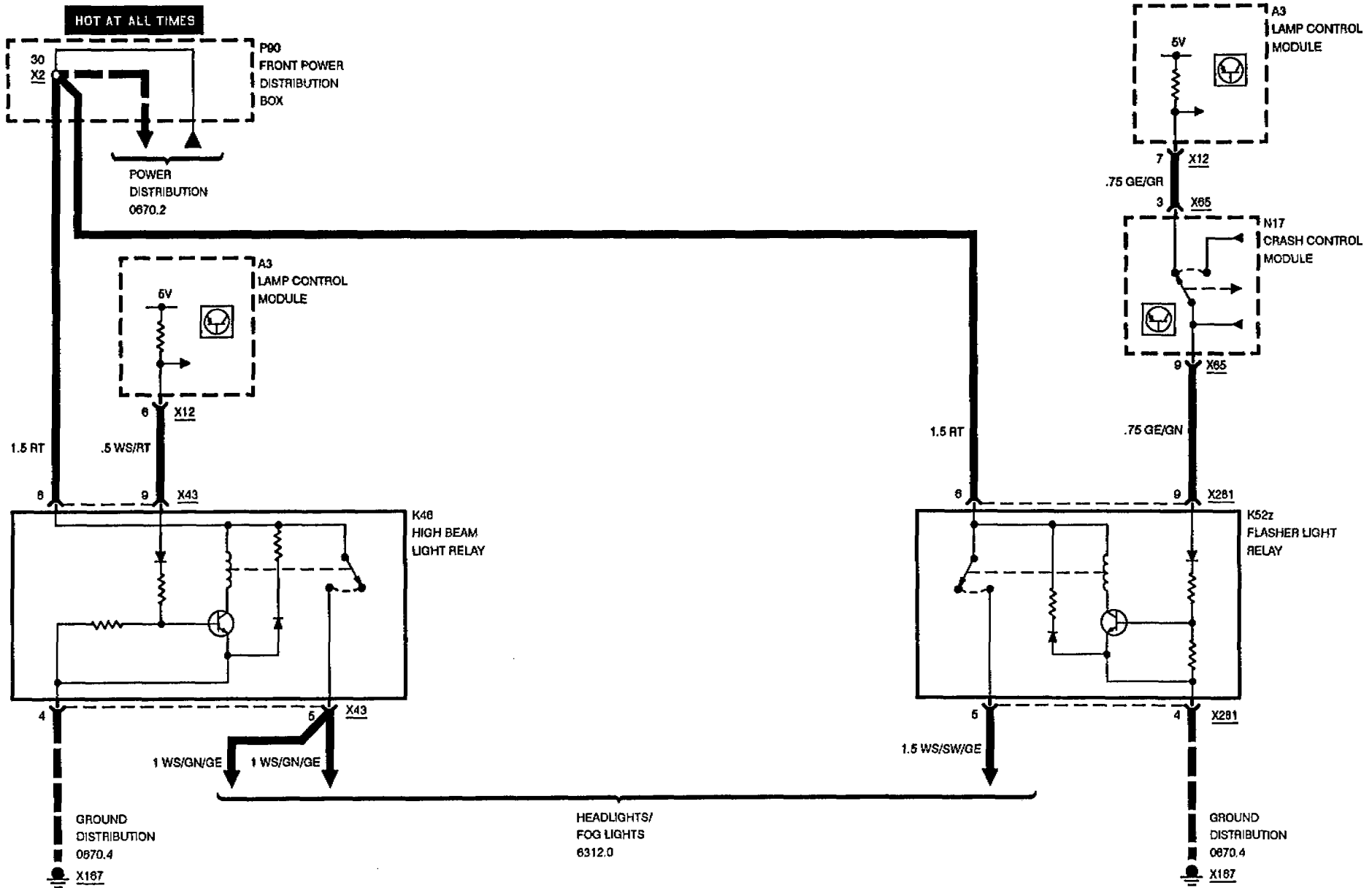


LAMP MONITOR (LKM) FRONT FOG LIGHTS





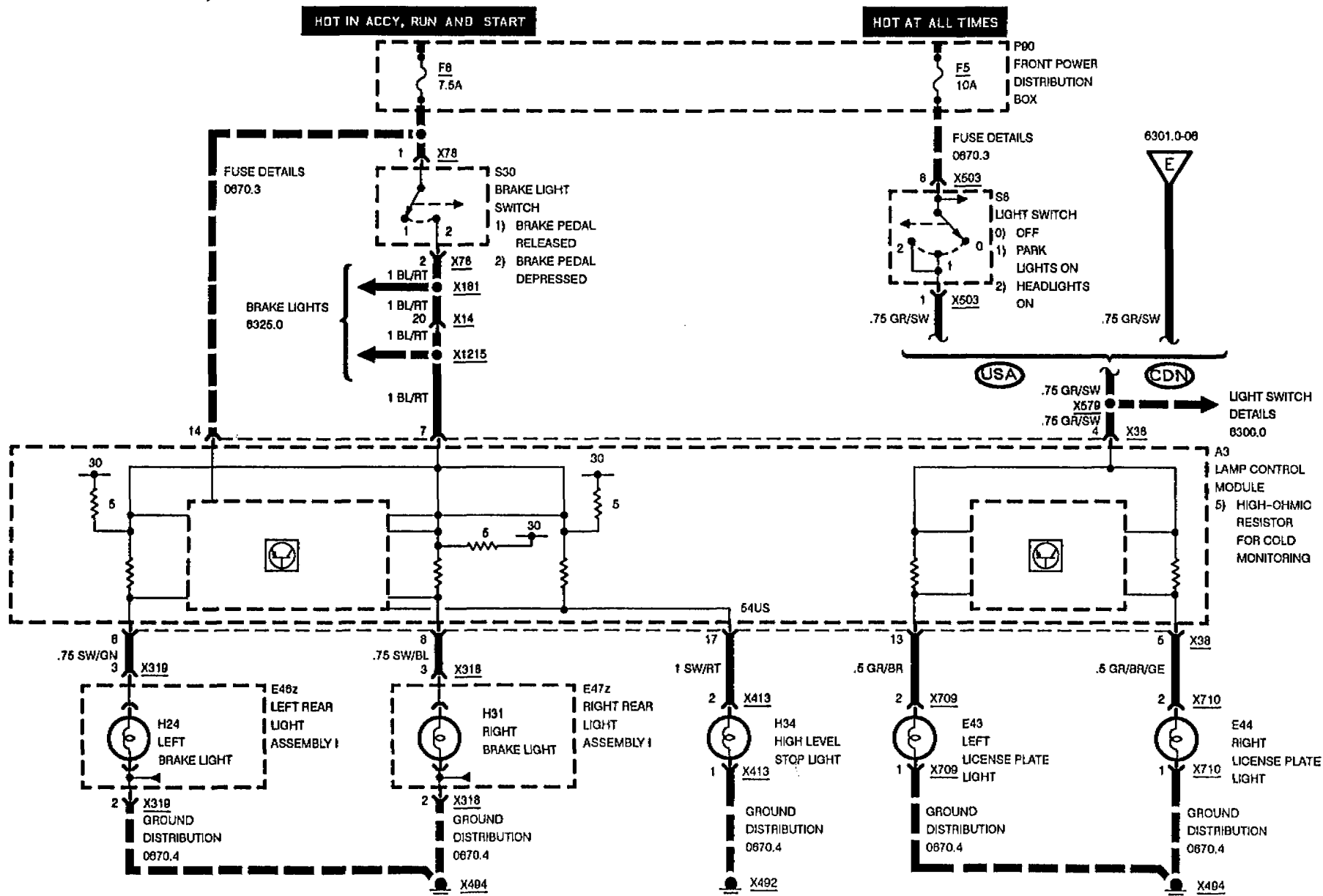
LAMP MONITOR (LKM)





LAMP MONITOR (LKM)

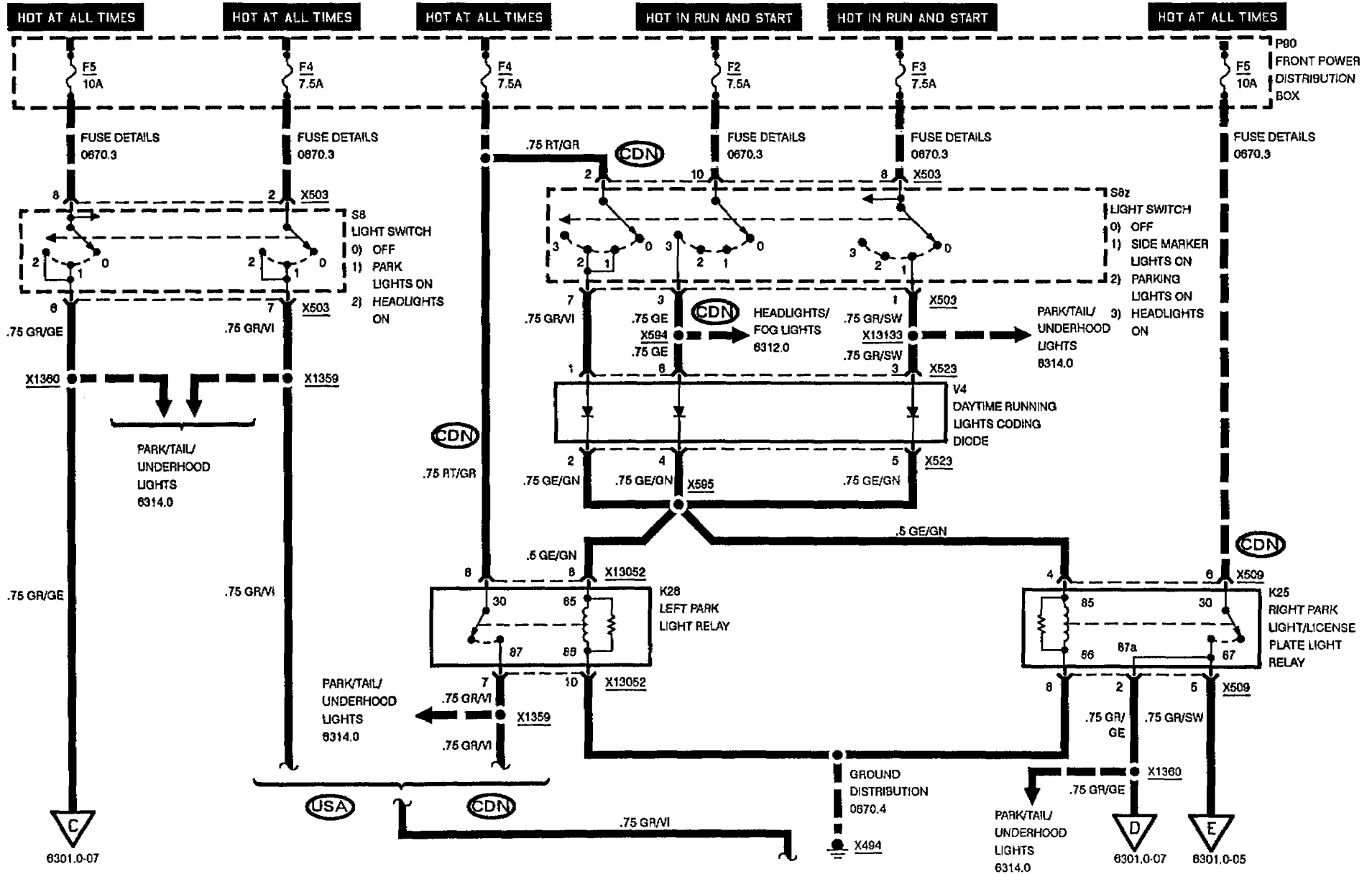
BRAKE LIGHTS, LICENSE PLATE LIGHTS





LAMP MONITOR (LKM)

PARKING LIGHTS



6301.0-07

PARK/TAIL/UNDERHOOD LIGHTS 8314.0

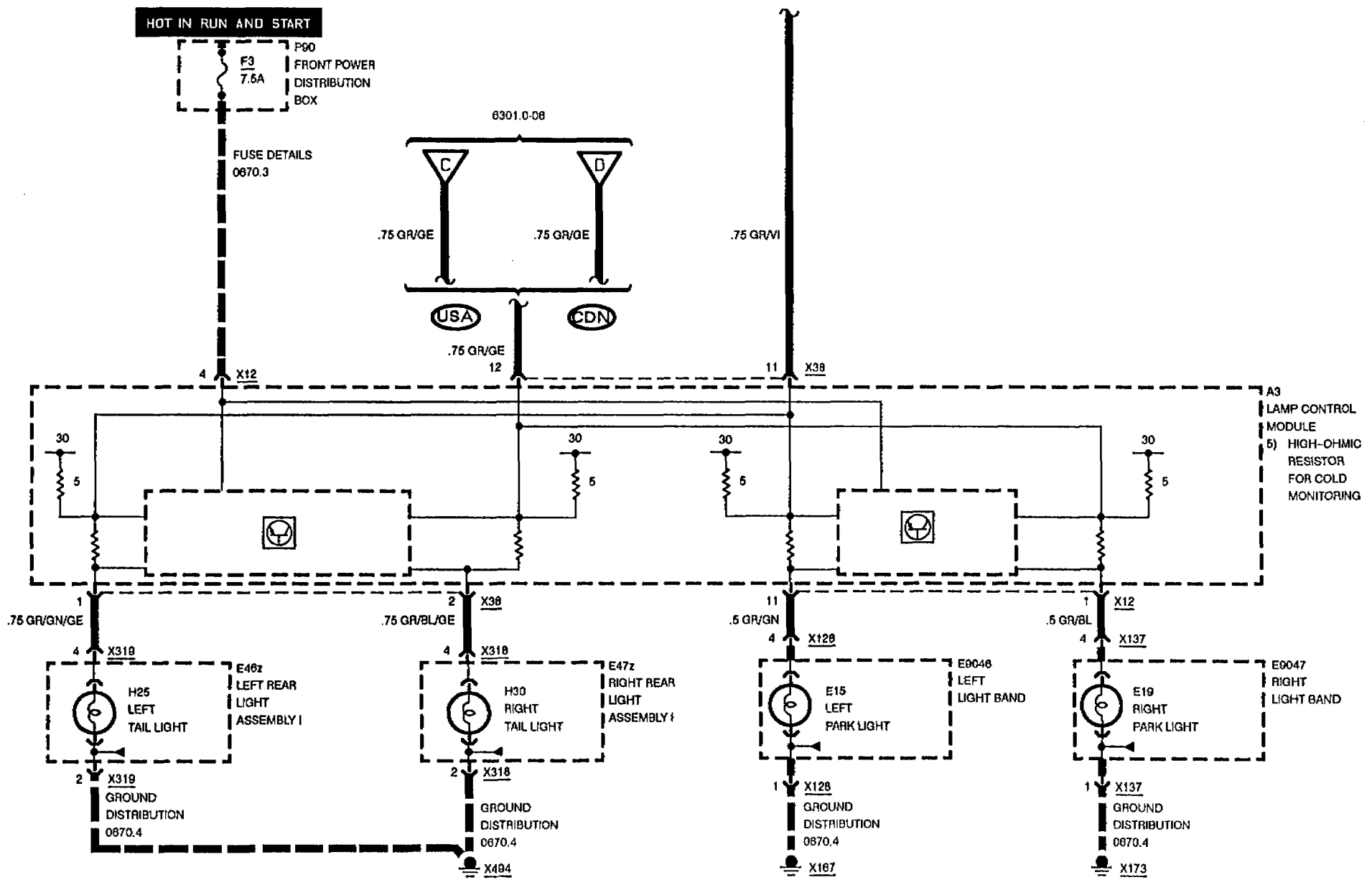
8301.0-07

8301.0-05

09/93

6301.0-06

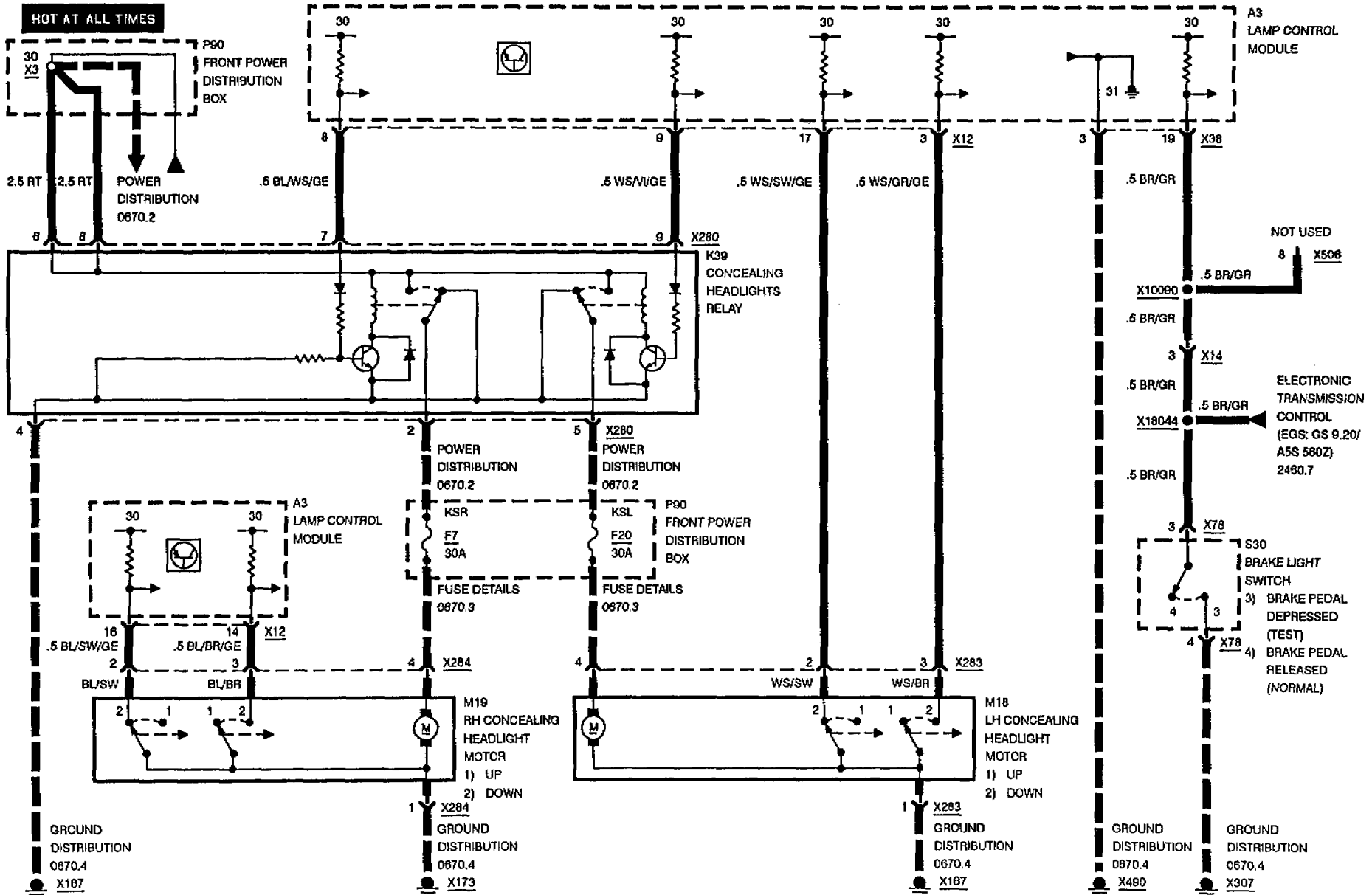
1994





LAMP MONITOR (LKM)

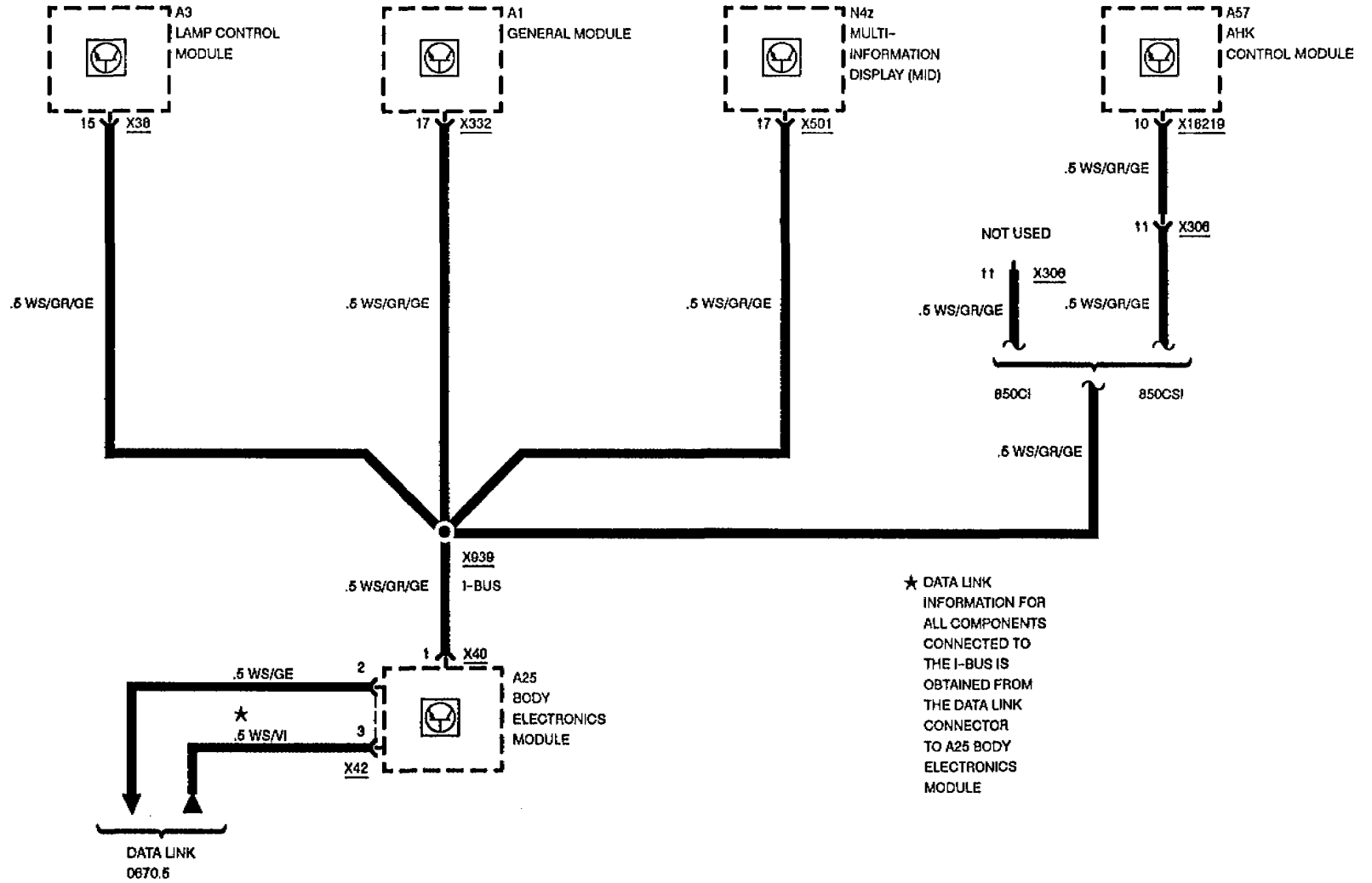
M60 HARNESS



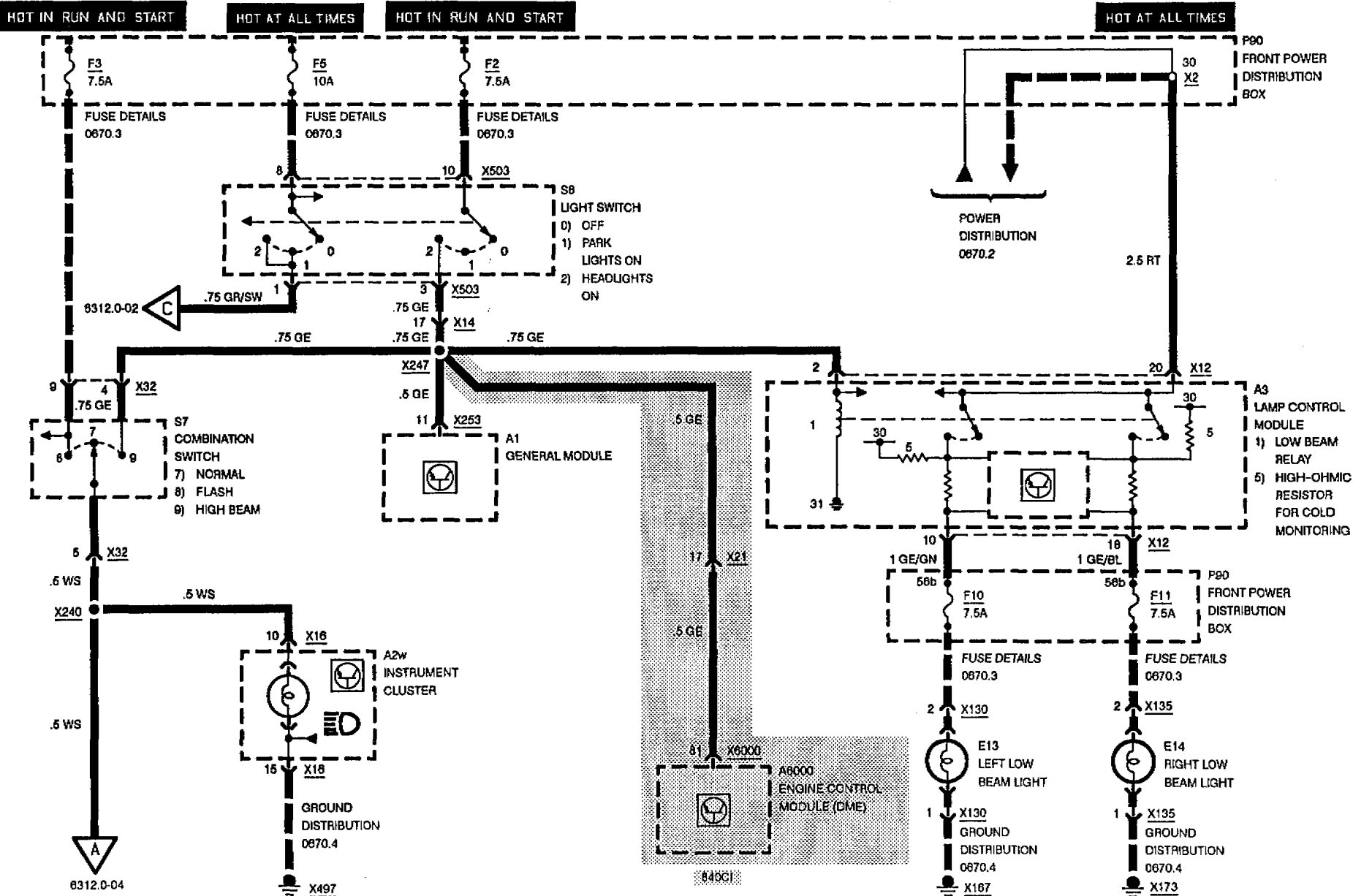


LAMP MONITOR (LKM)

INSTRUMENTATION BUS (I-BUS)



HEADLIGHTS

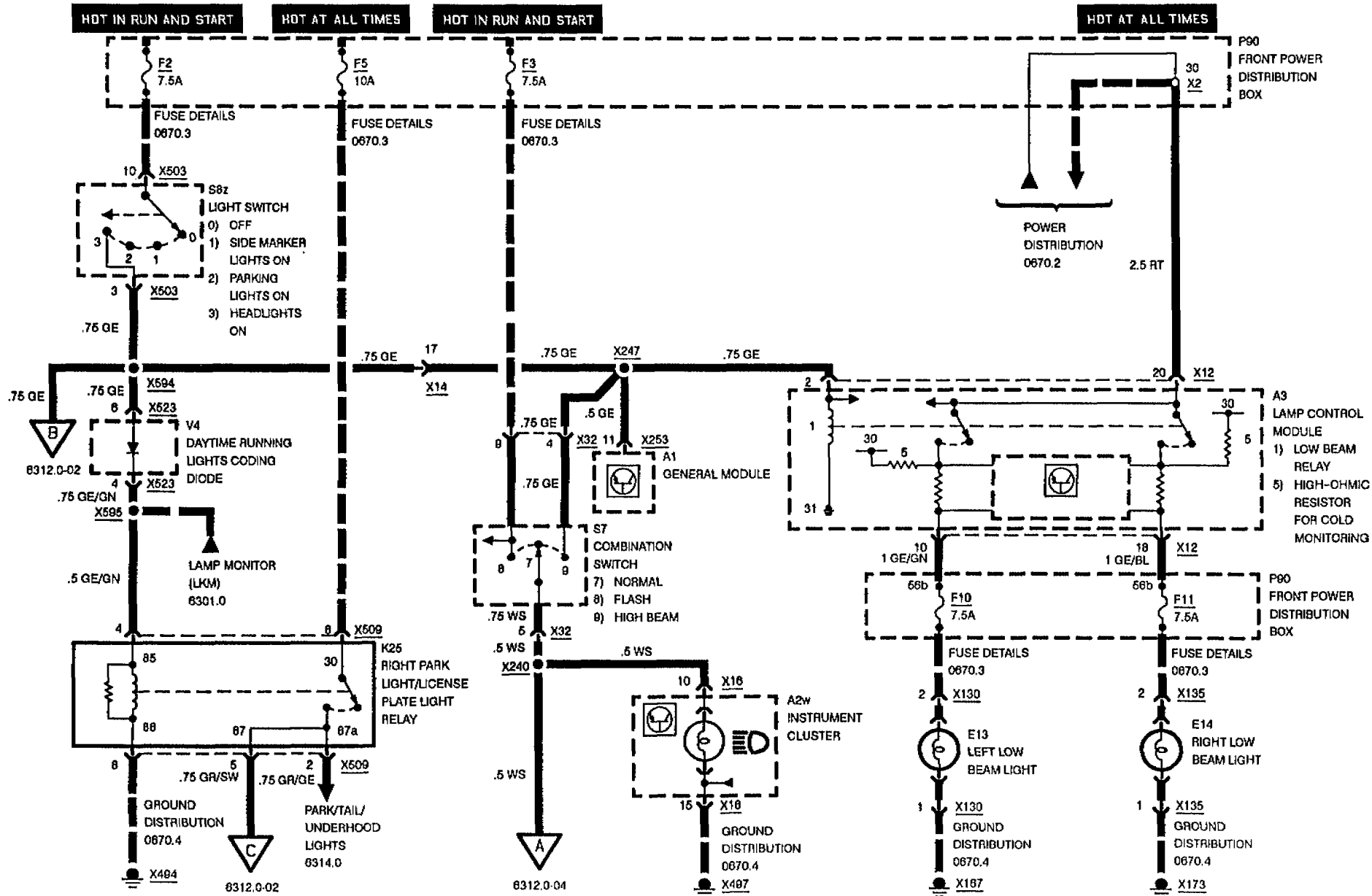




HEADLIGHTS/ FOG LIGHTS



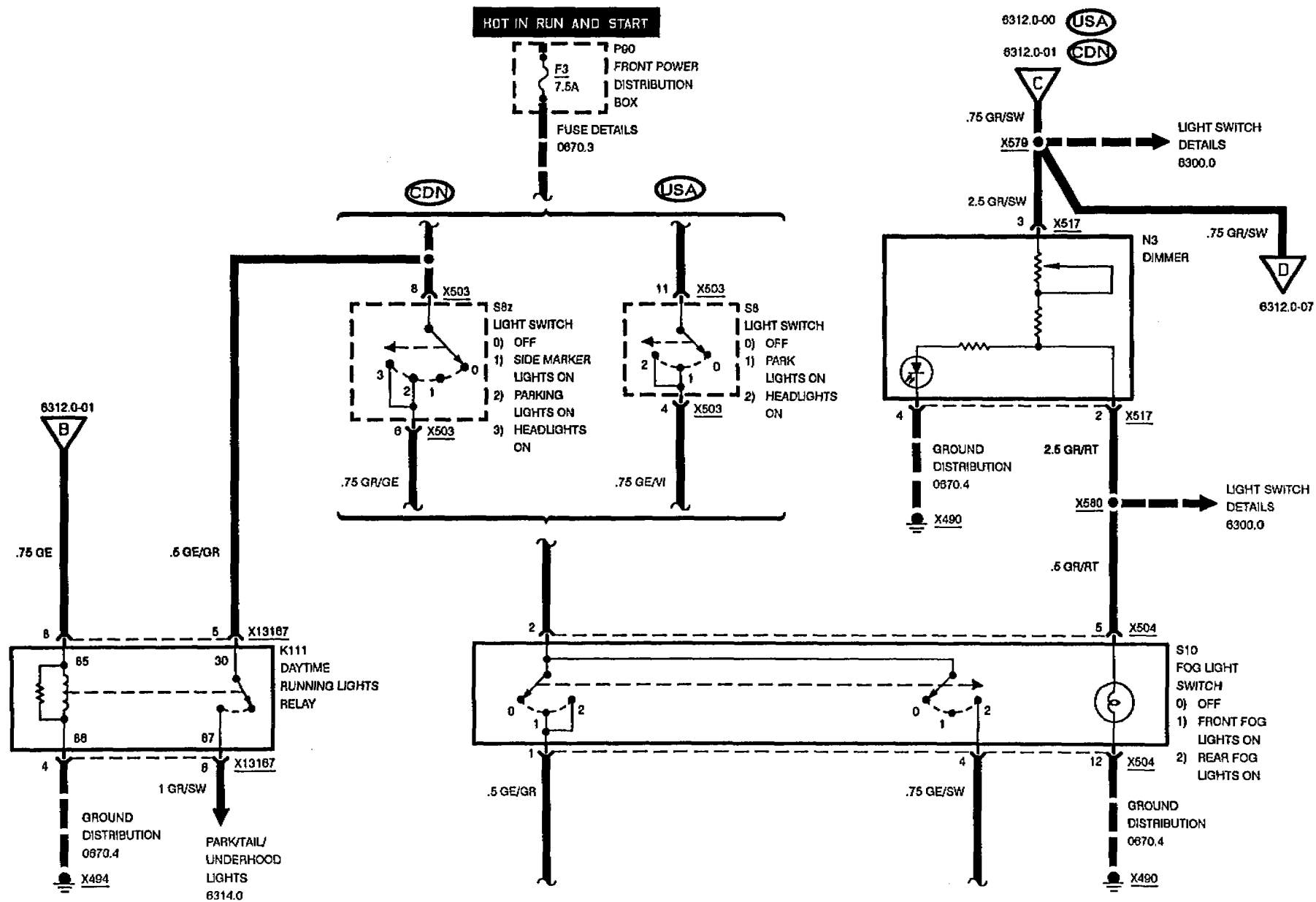
HEADLIGHTS

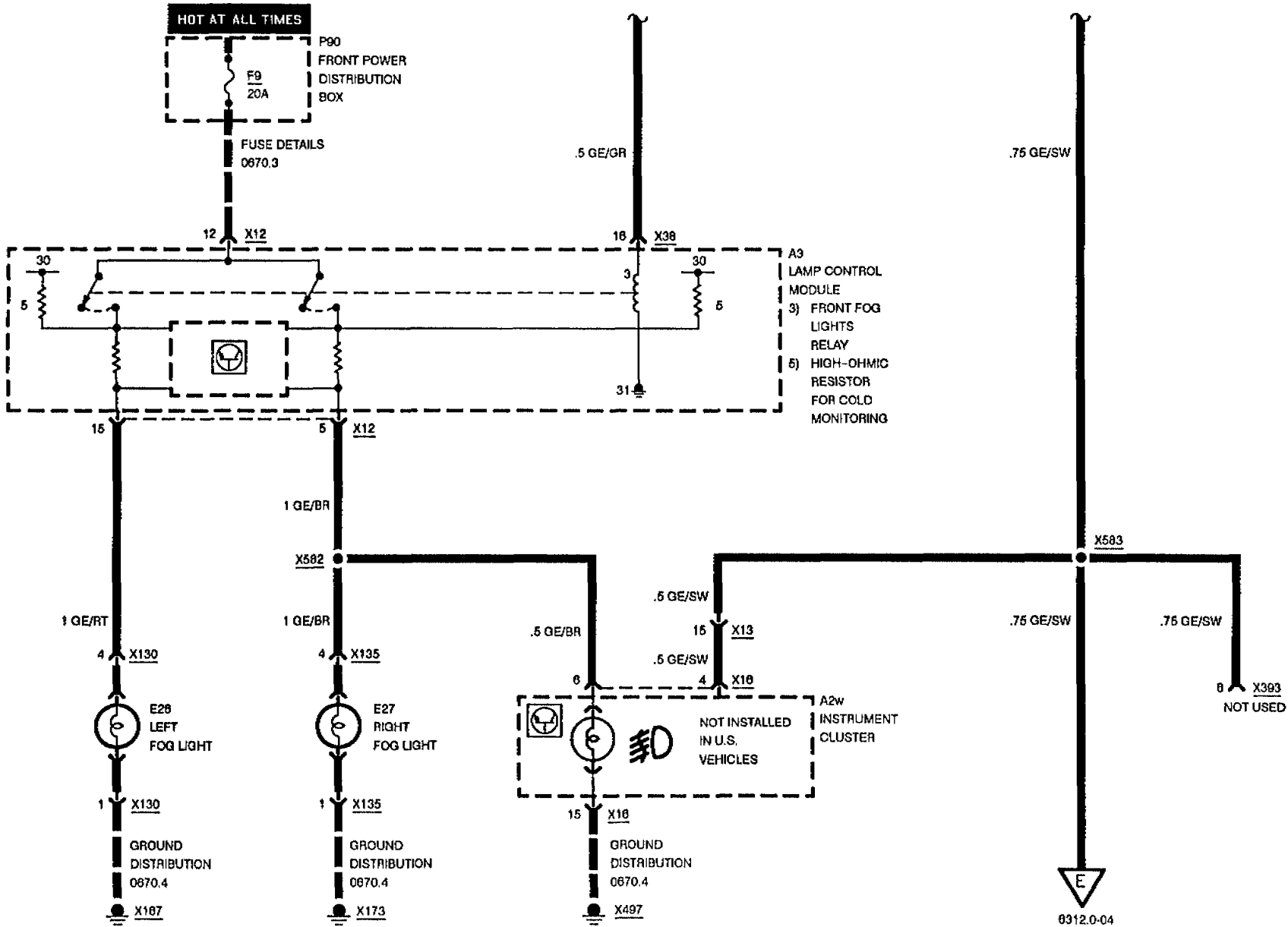




HEADLIGHTS/ FOG LIGHTS

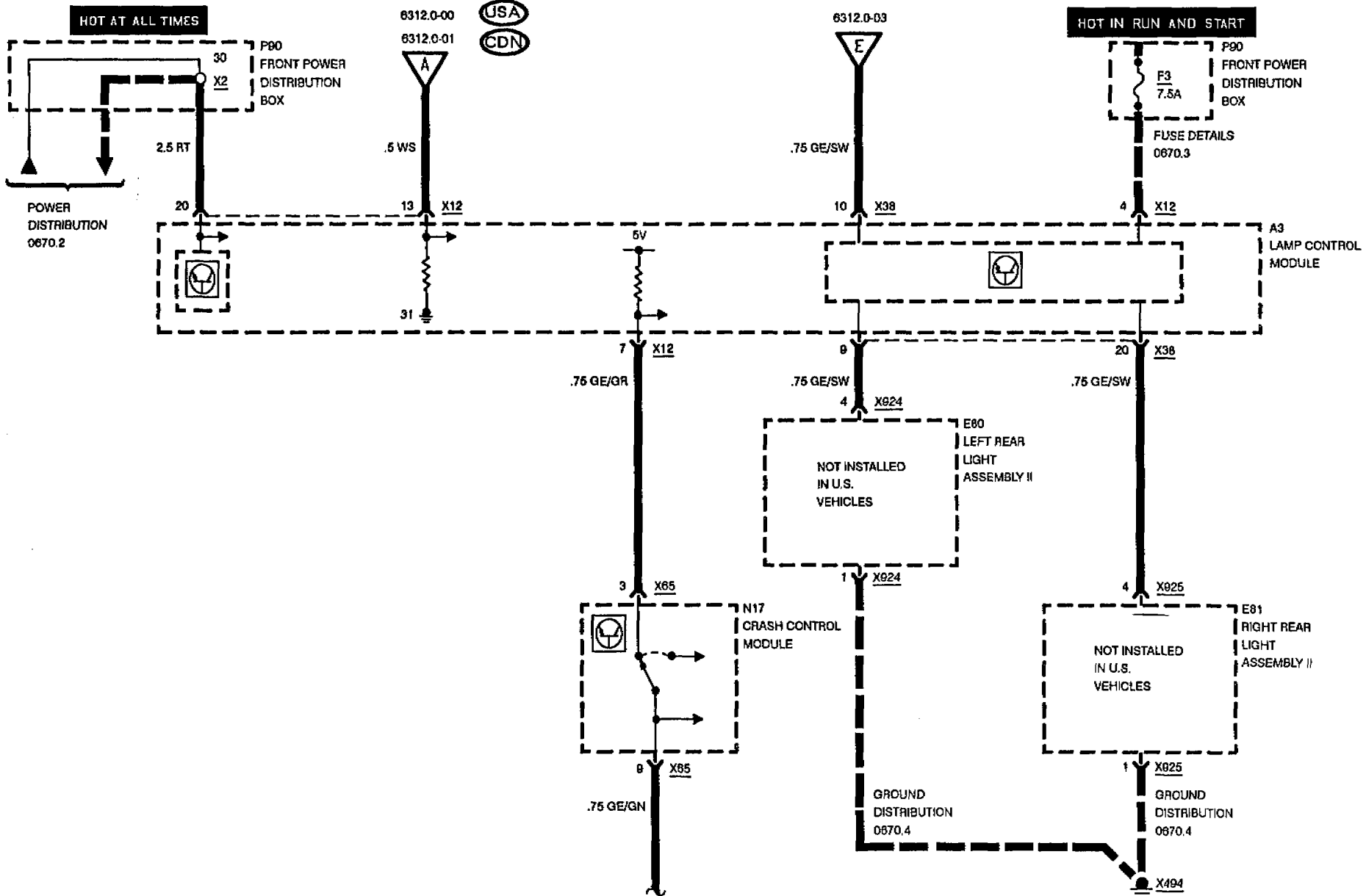
FRONT FOG LIGHTS

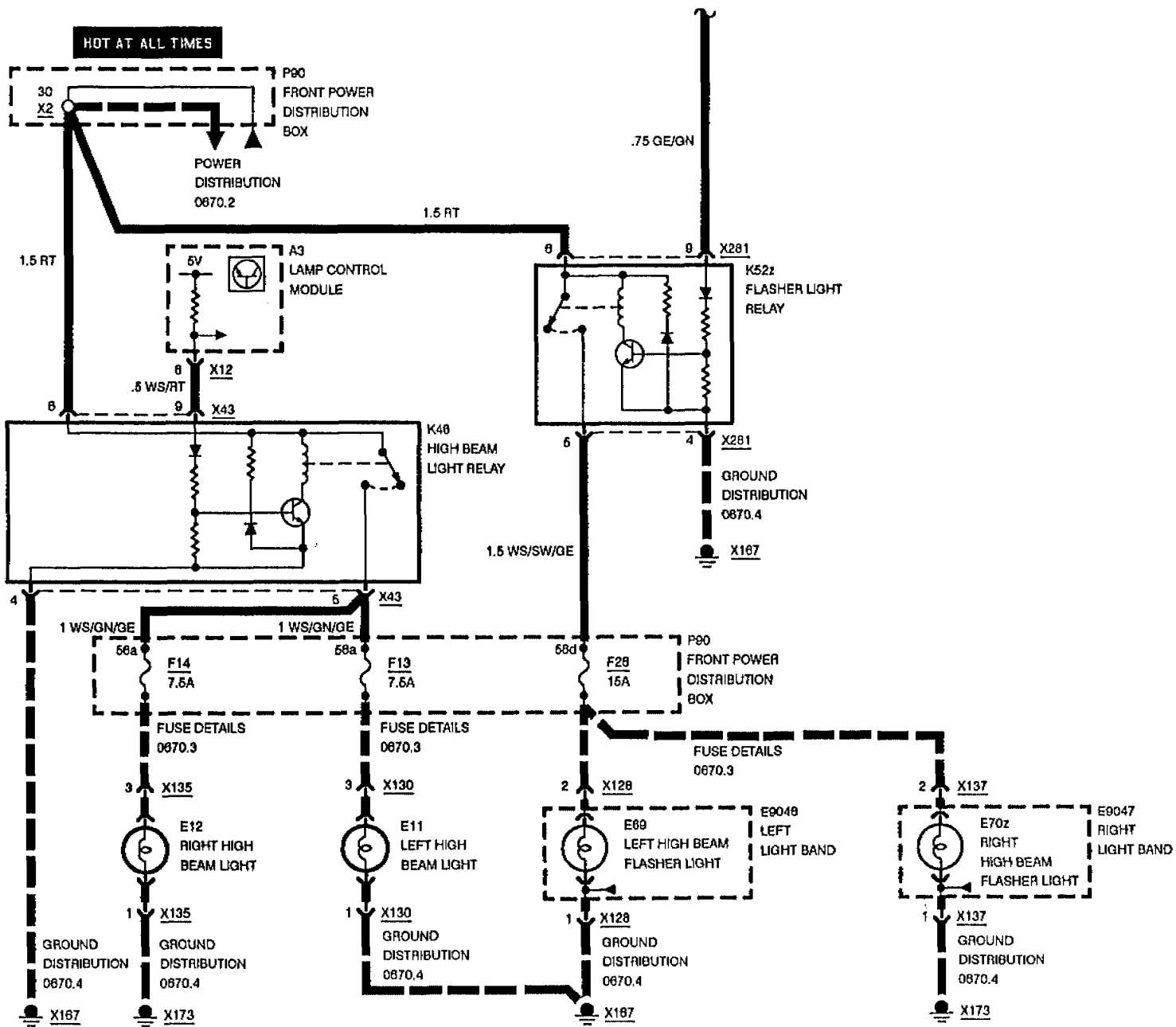






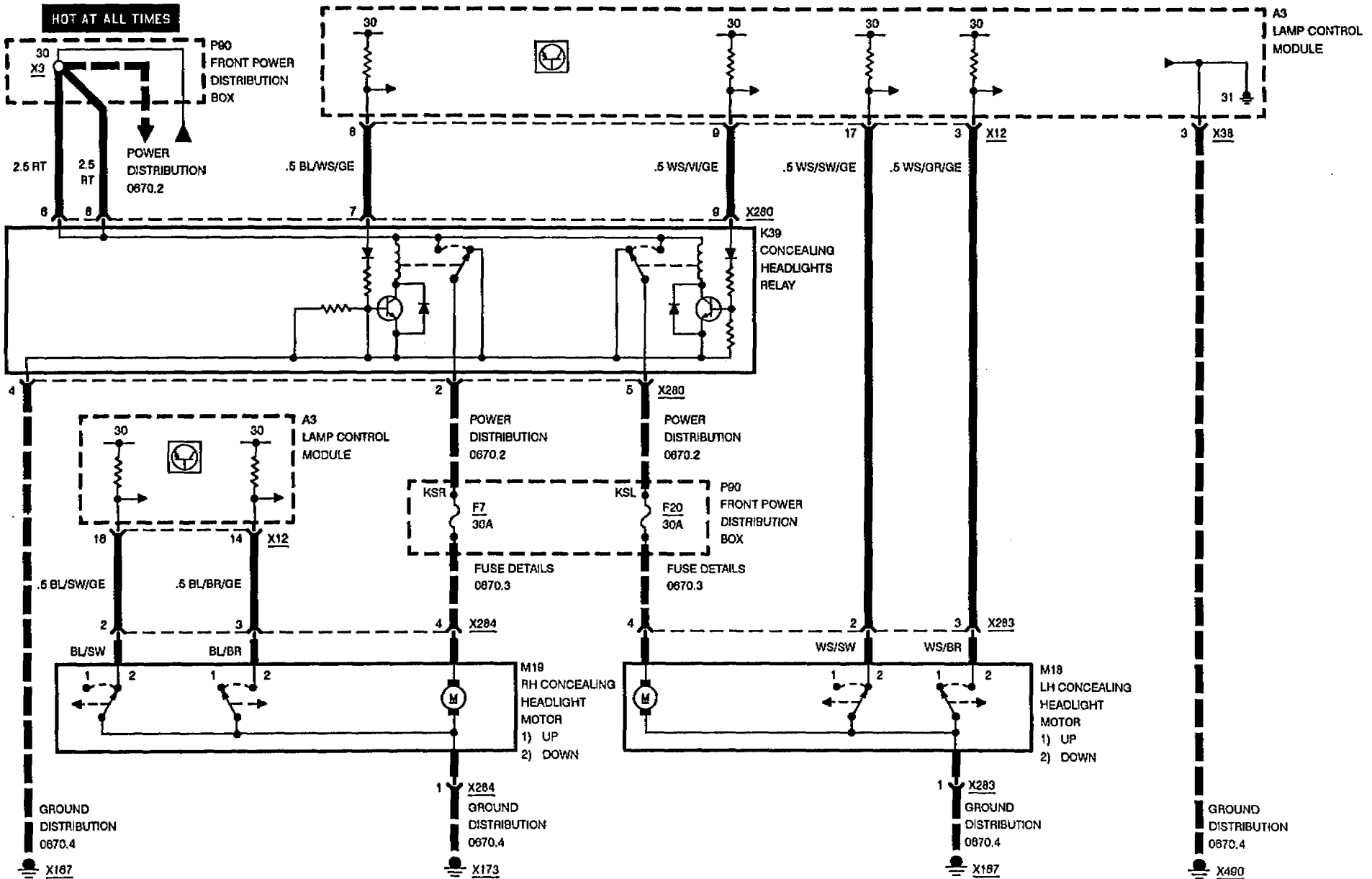
HEADLIGHTS/ FOG LIGHTS HIGH BEAM LIGHTS, FLASHER LIGHTS







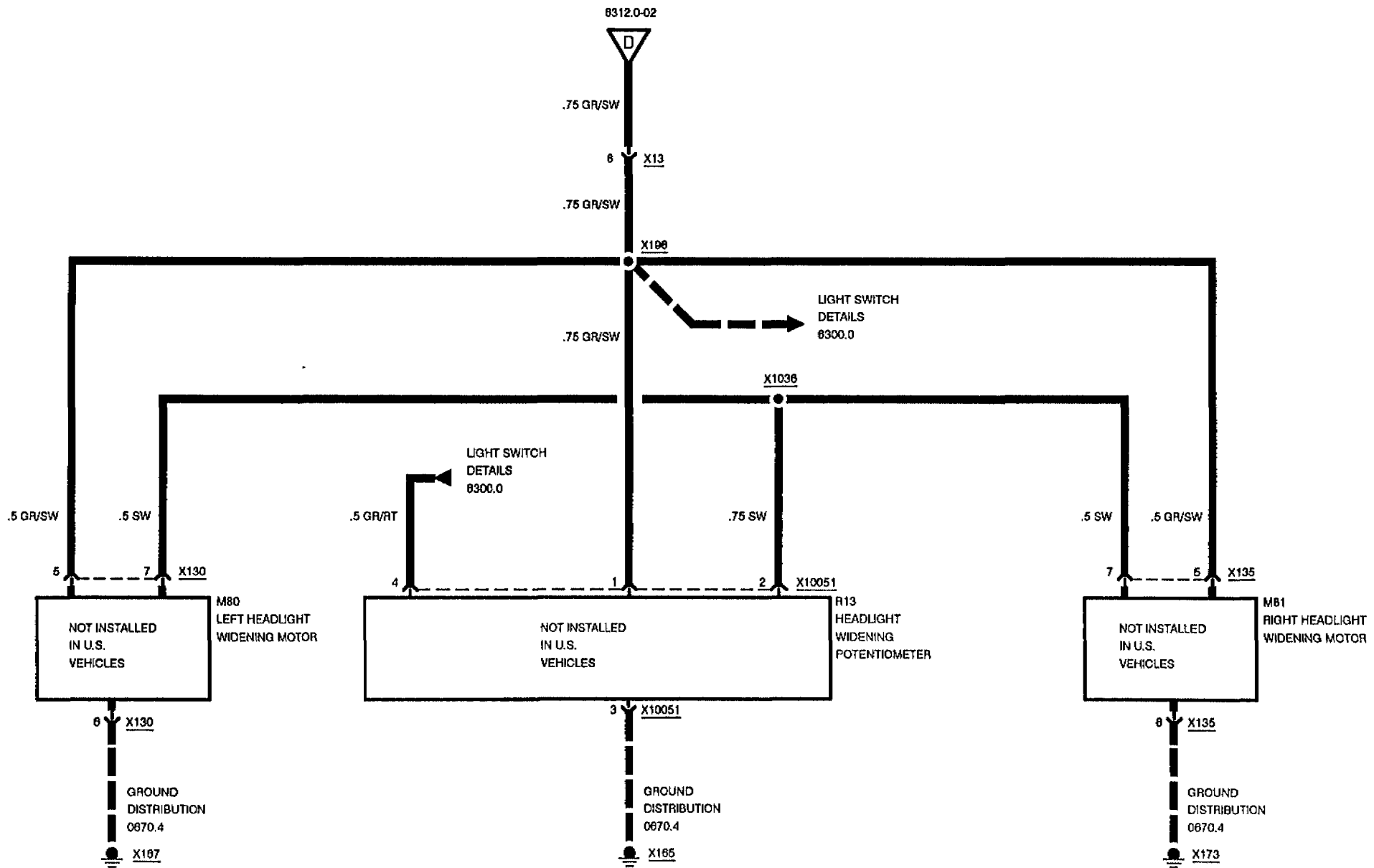
HEADLIGHTS/ FOG LIGHTS





HEADLIGHTS/ FOG LIGHTS

HEADLIGHT BEAM ANGLE ADJUST



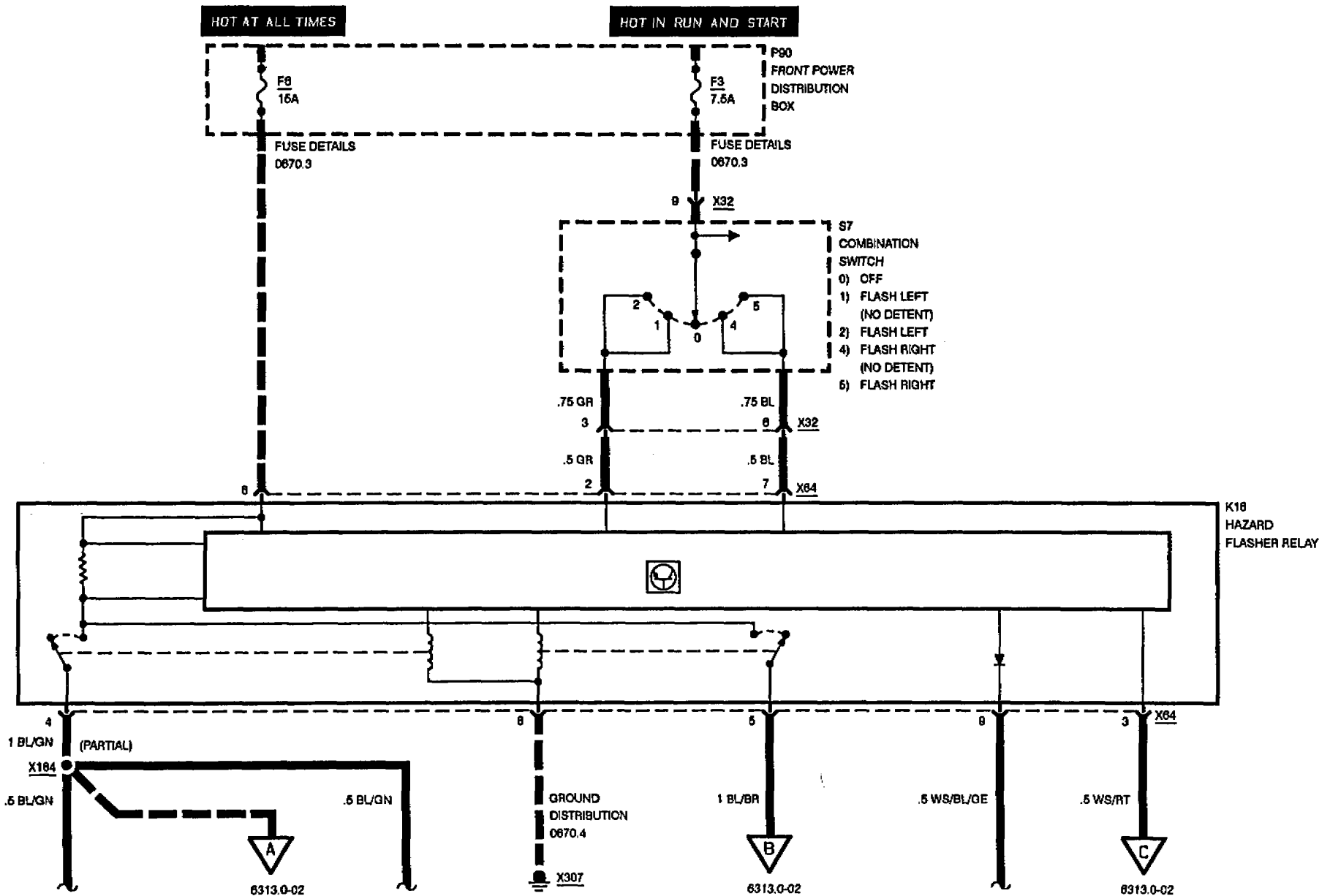
09/93

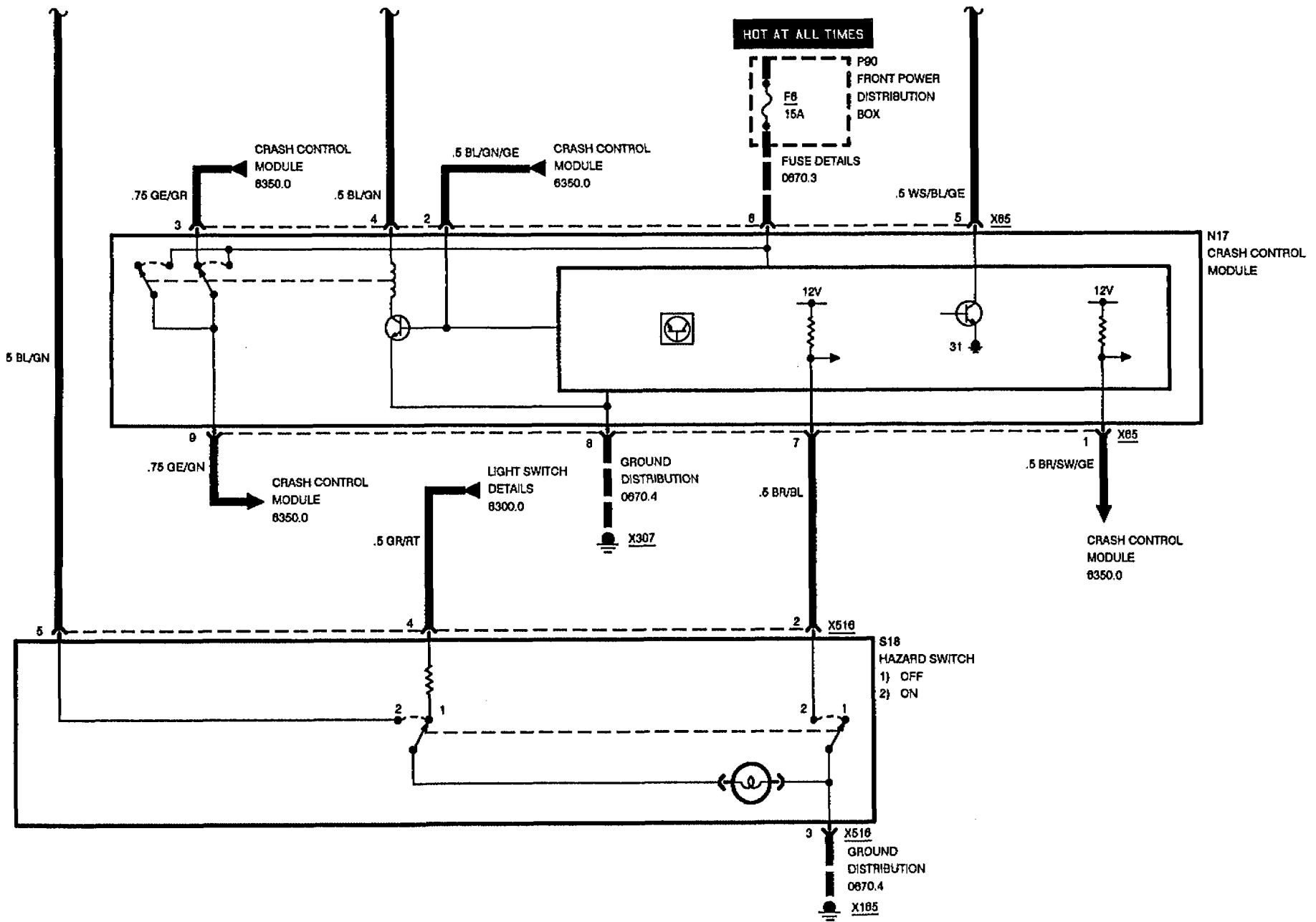
6312.0-07

1994



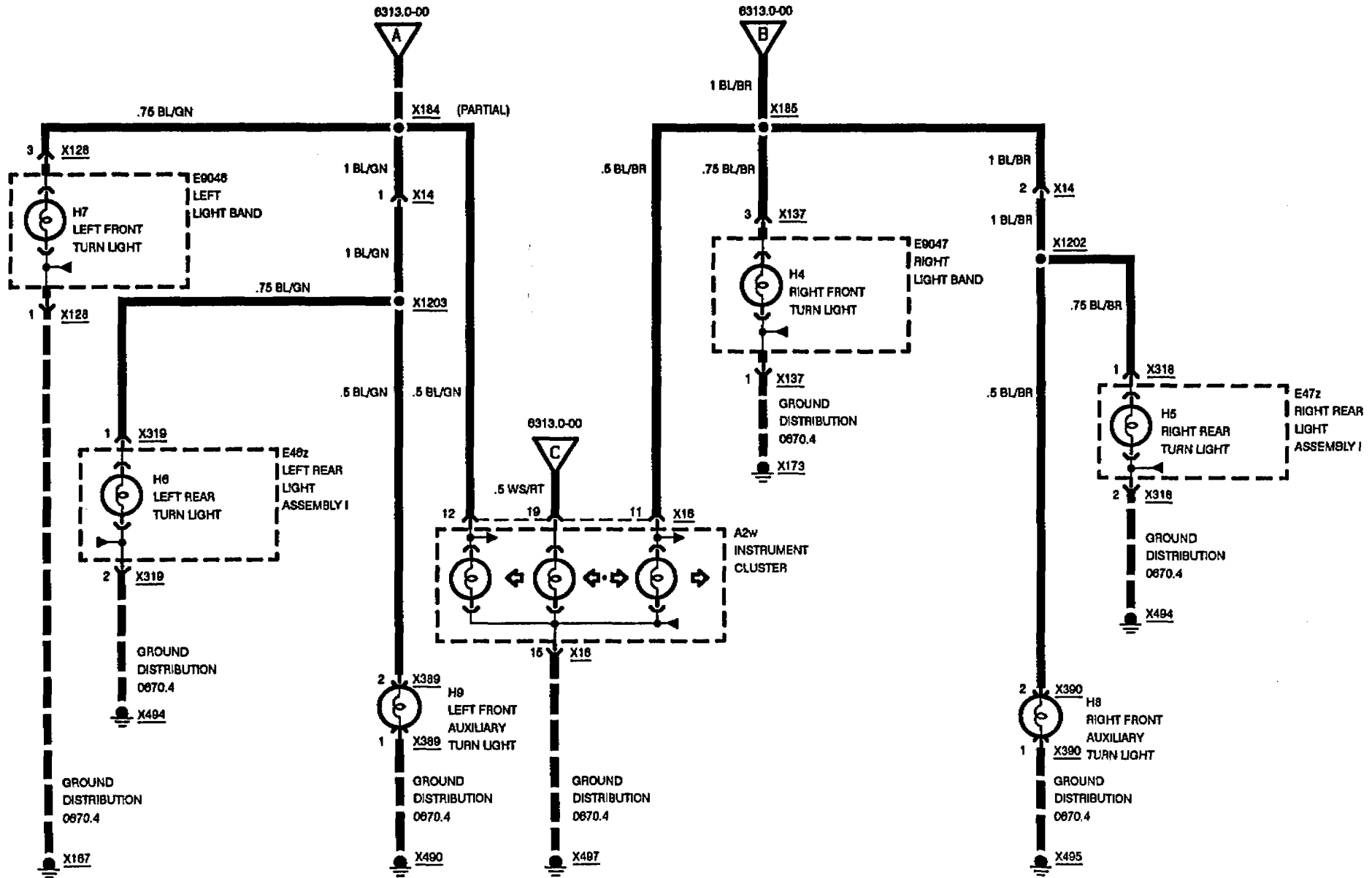
TURN/HAZARD LIGHTS







TURN/HAZARD LIGHTS



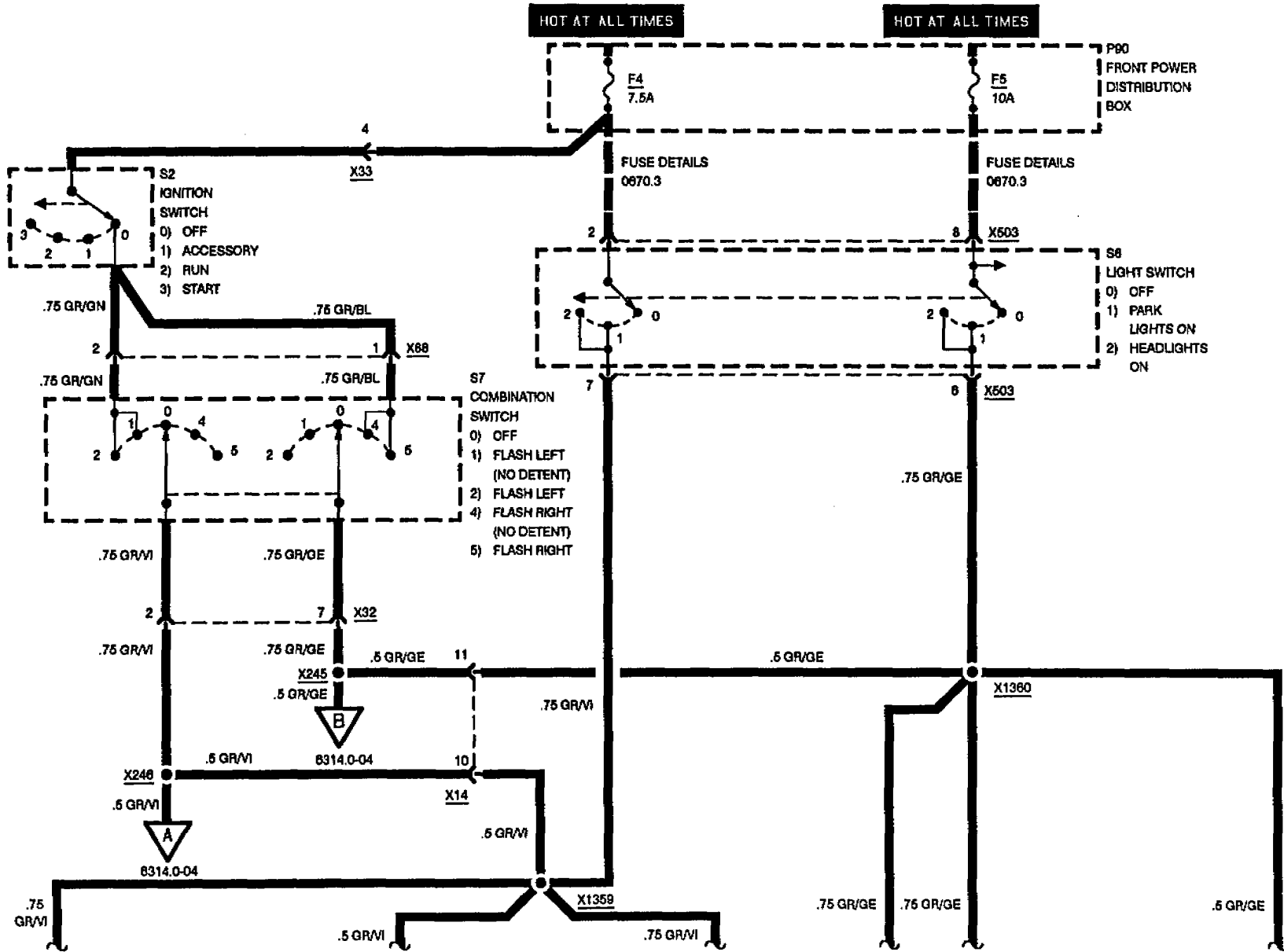
BMW
8

6314.0



PARK/TAIL/ UNDERHOOD LIGHTS

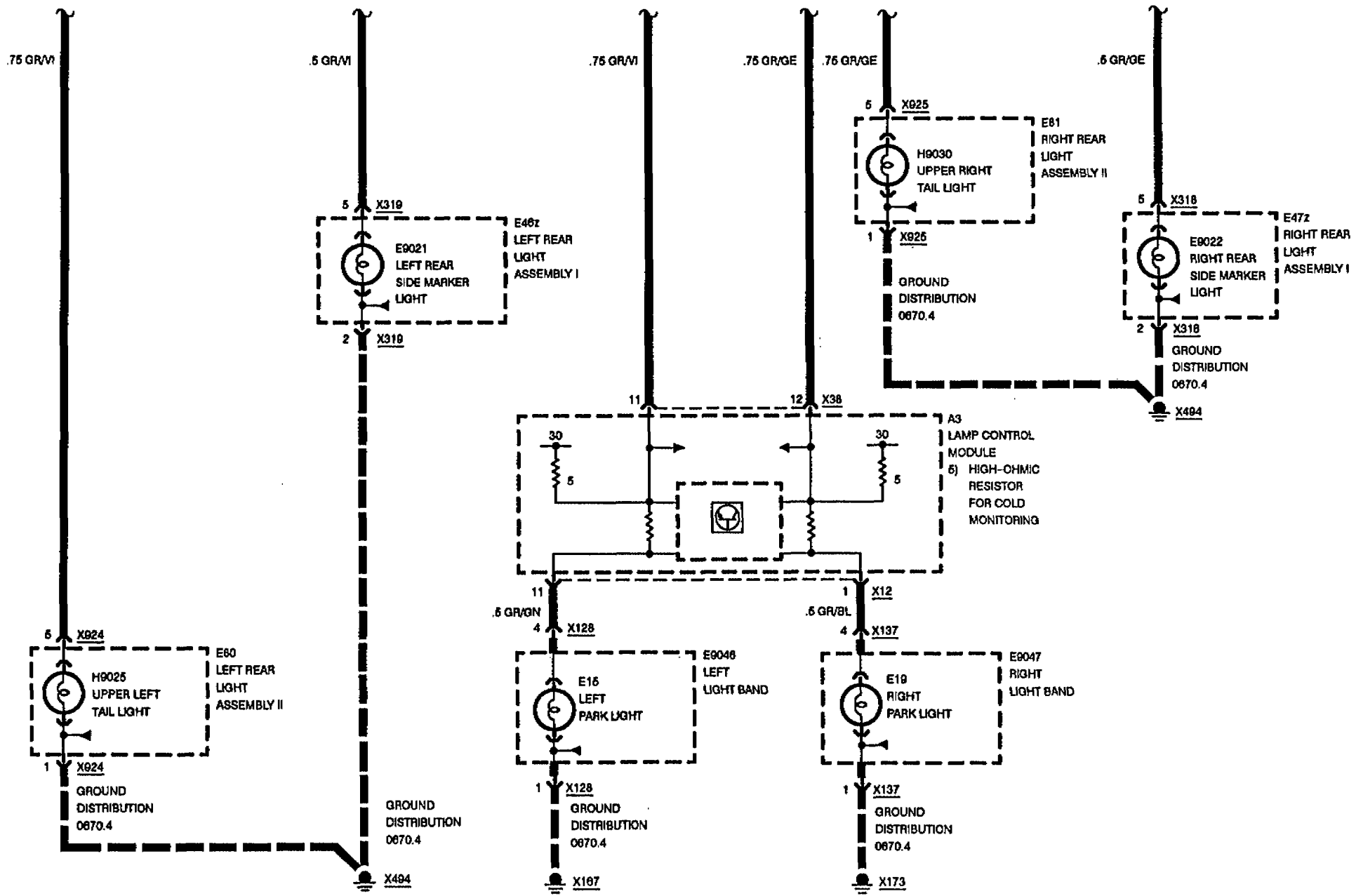
USA



09/93

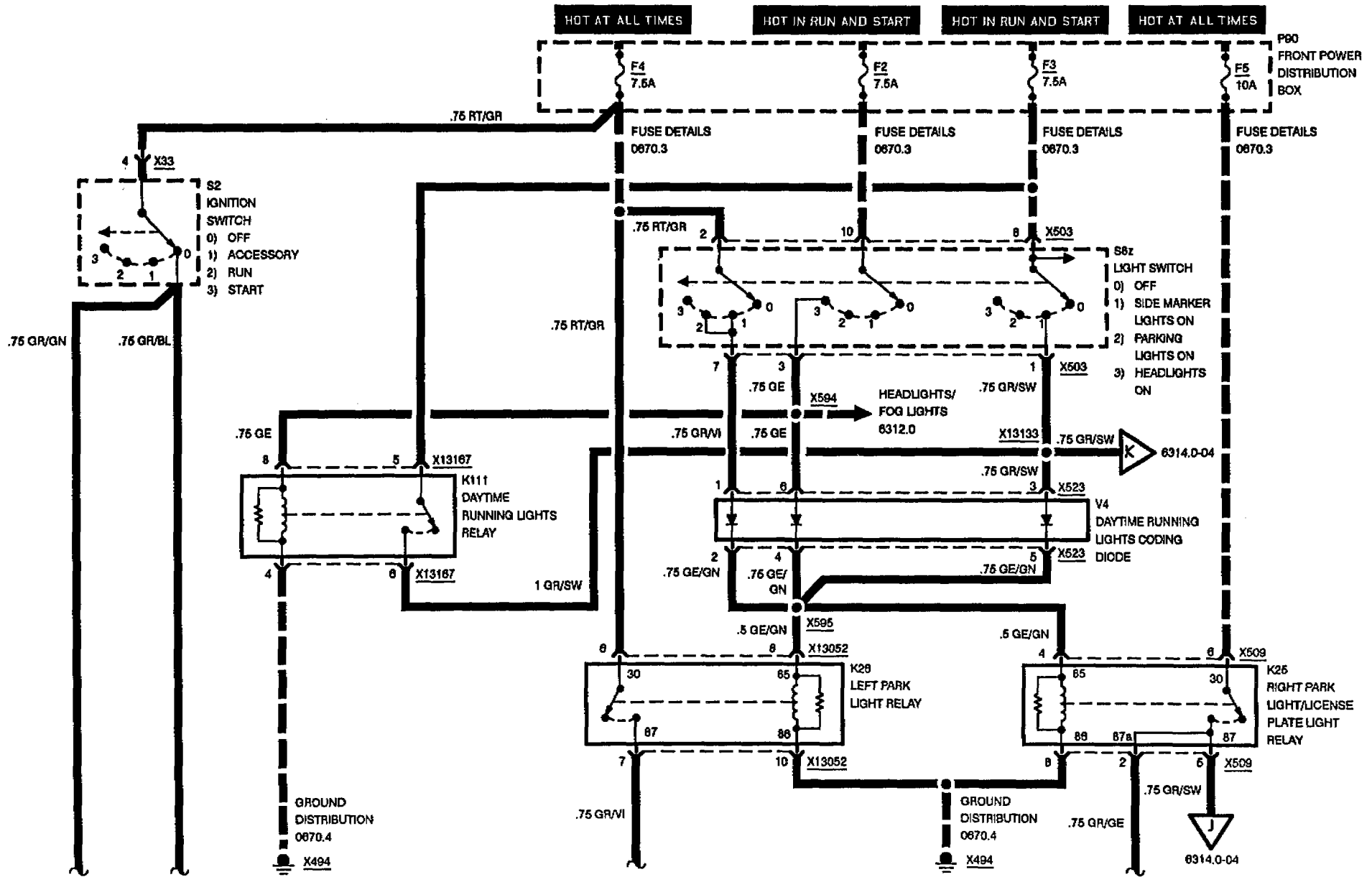
6314.0-00

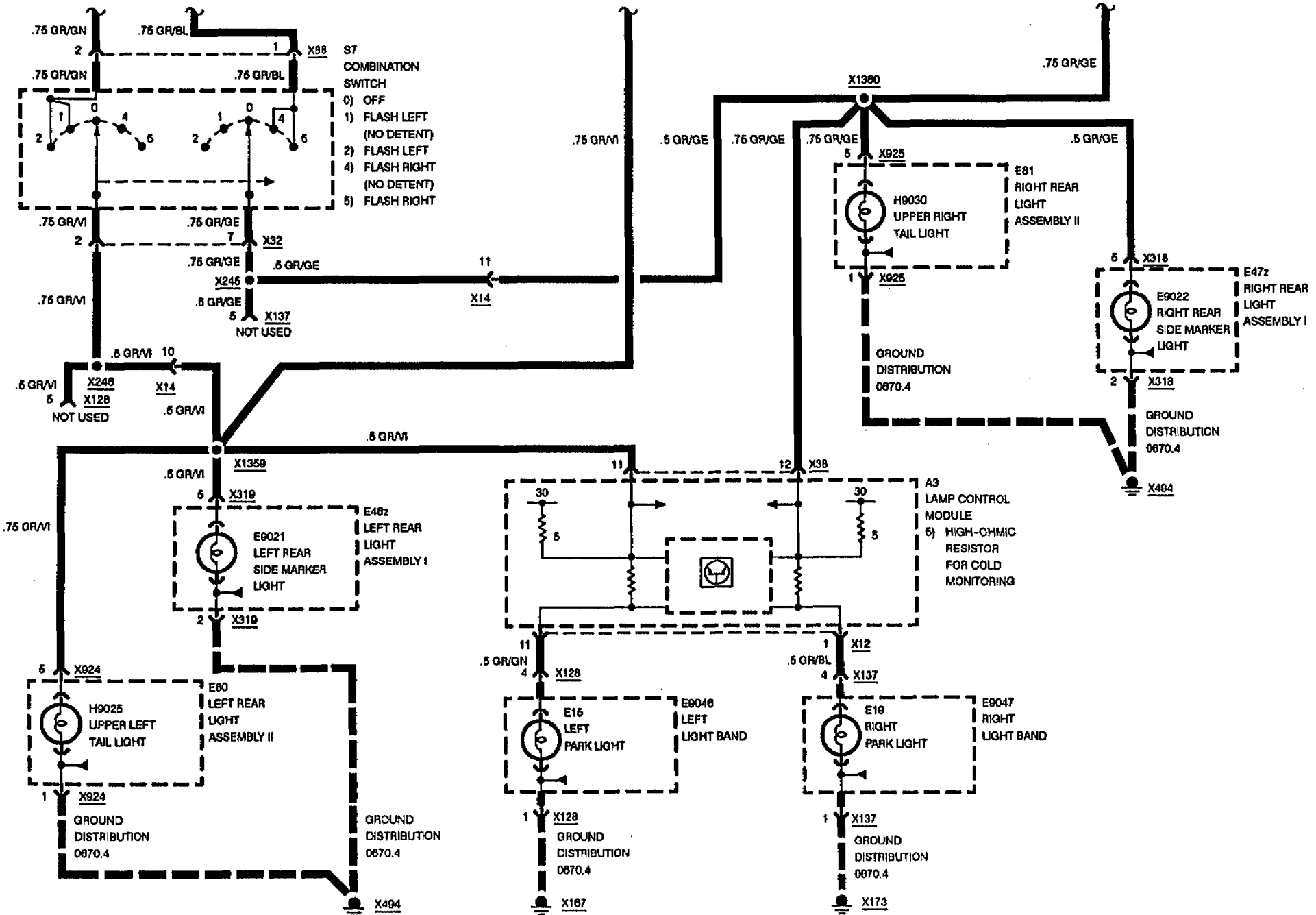
1994





PARK/TAIL/ UNDERHOOD LIGHTS

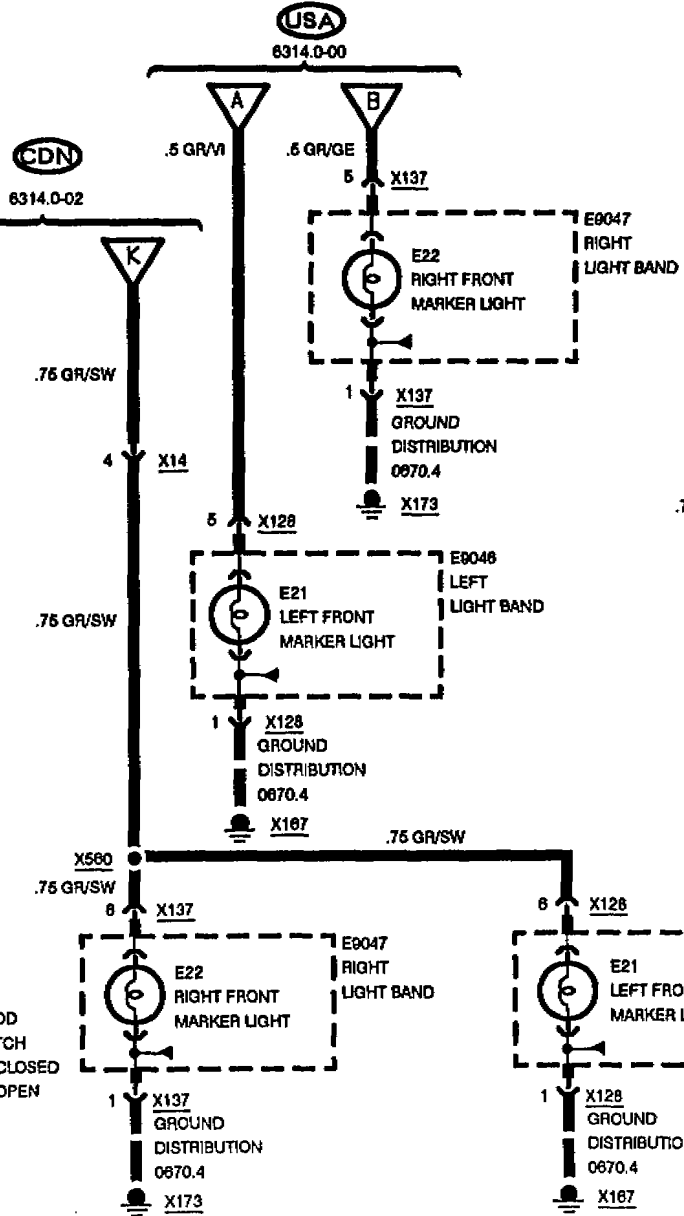
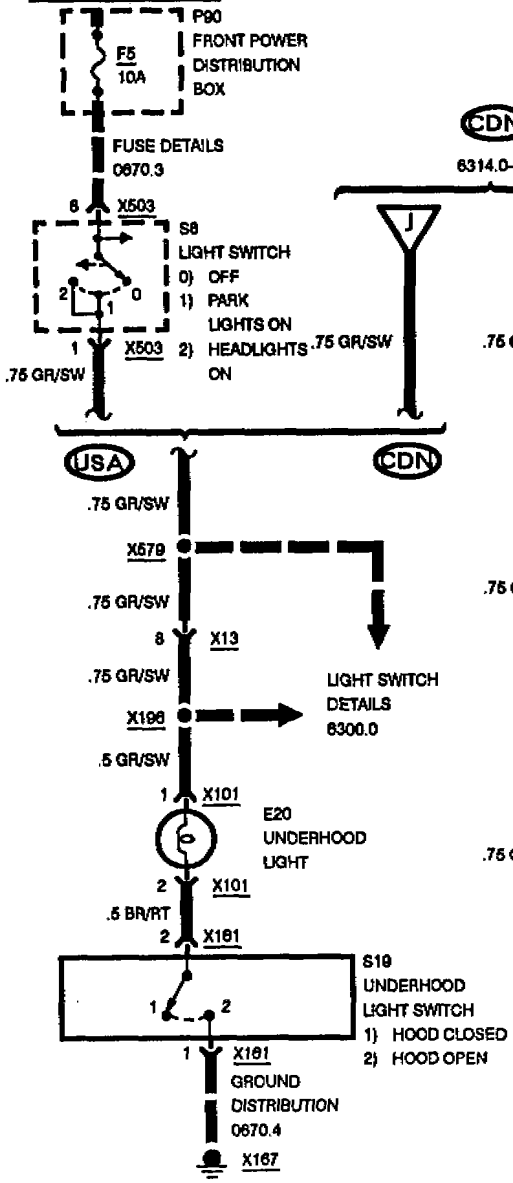




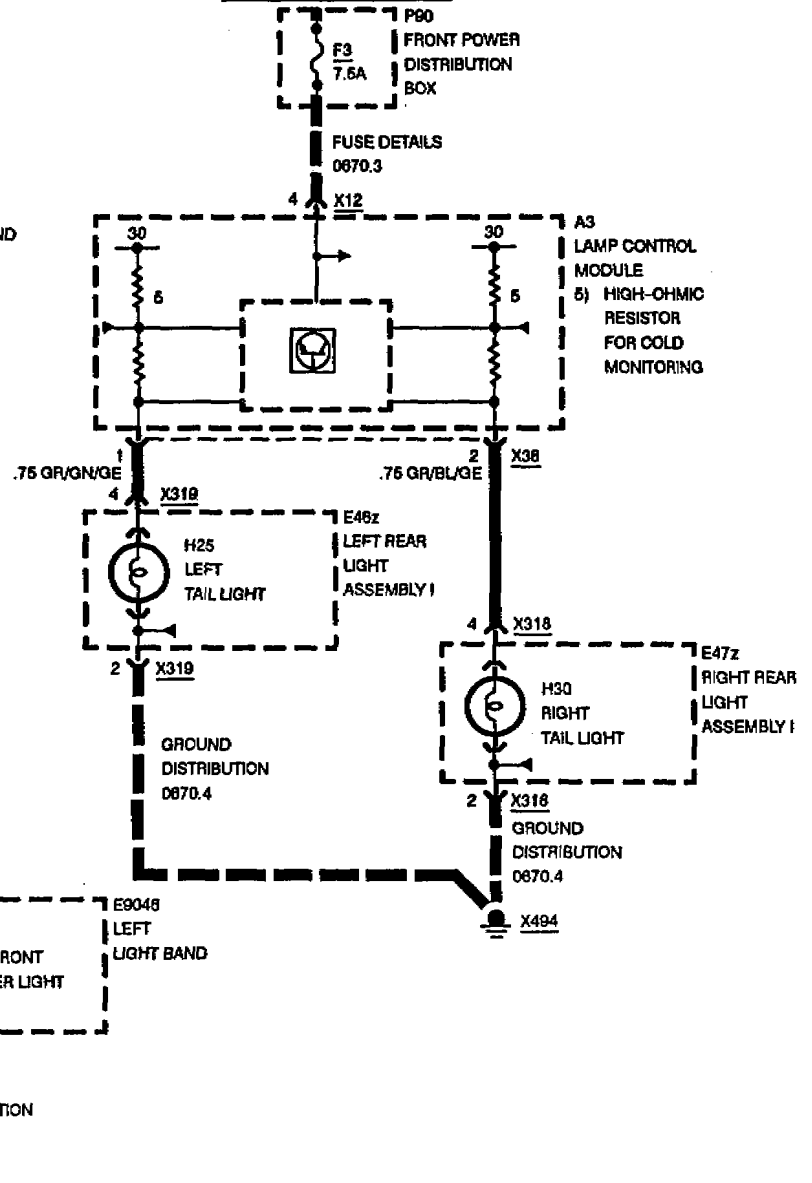


PARK/TAIL/ UNDERHOOD LIGHTS

HOT AT ALL TIMES



HOT IN RUN AND START



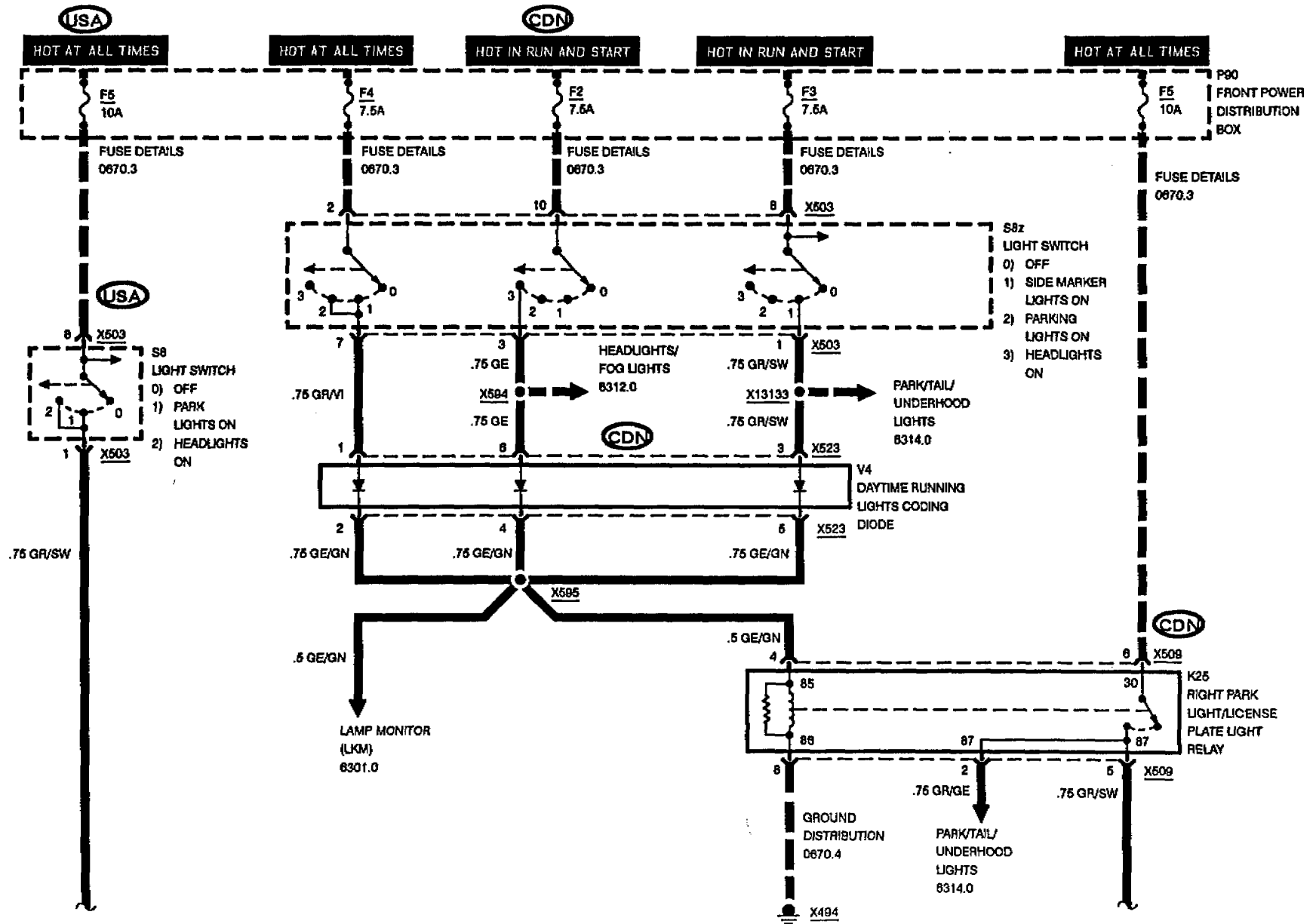
BMW
8

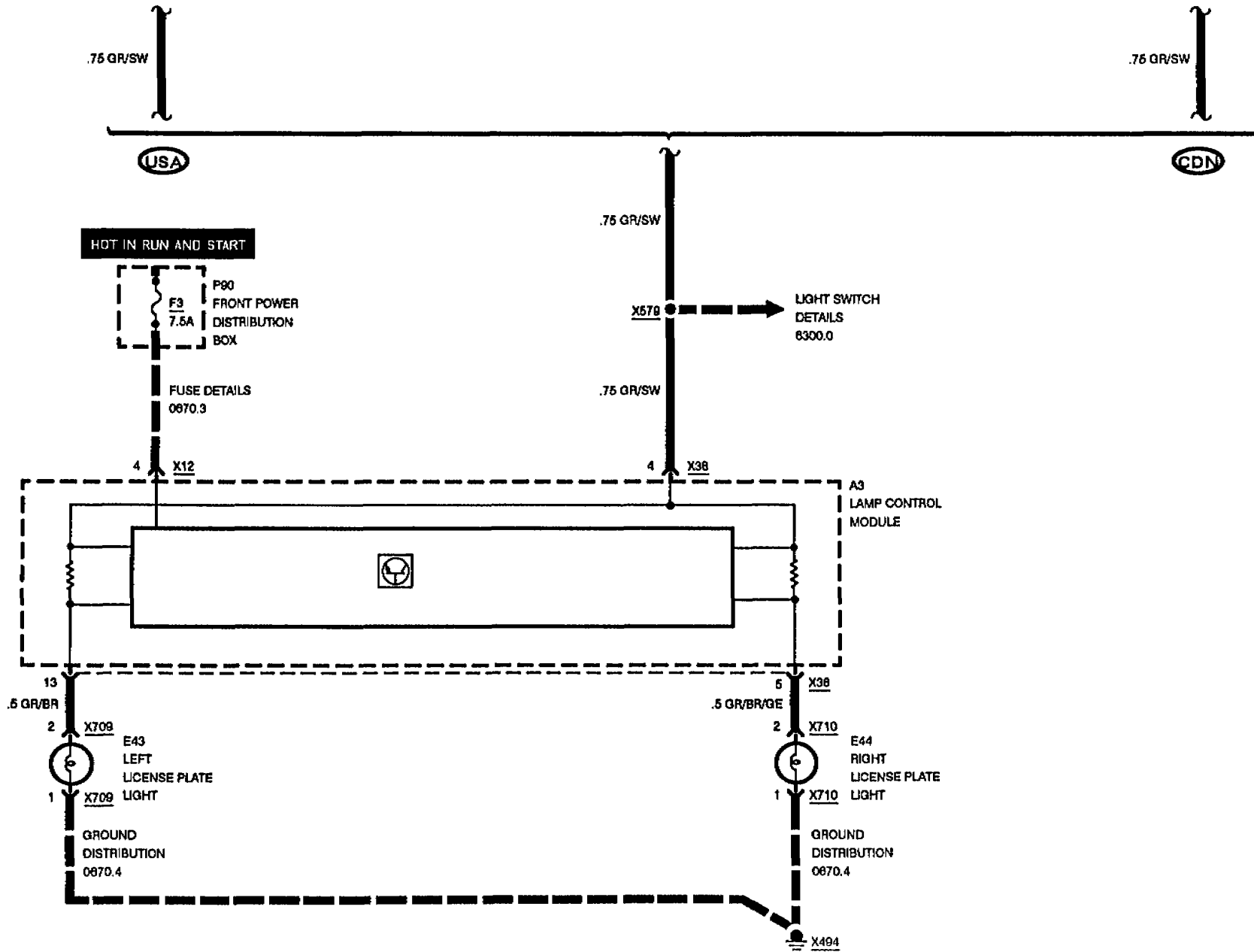
6320.0



LICENSE PLATE/ LUGGAGE COMPARTMENT LIGHTS

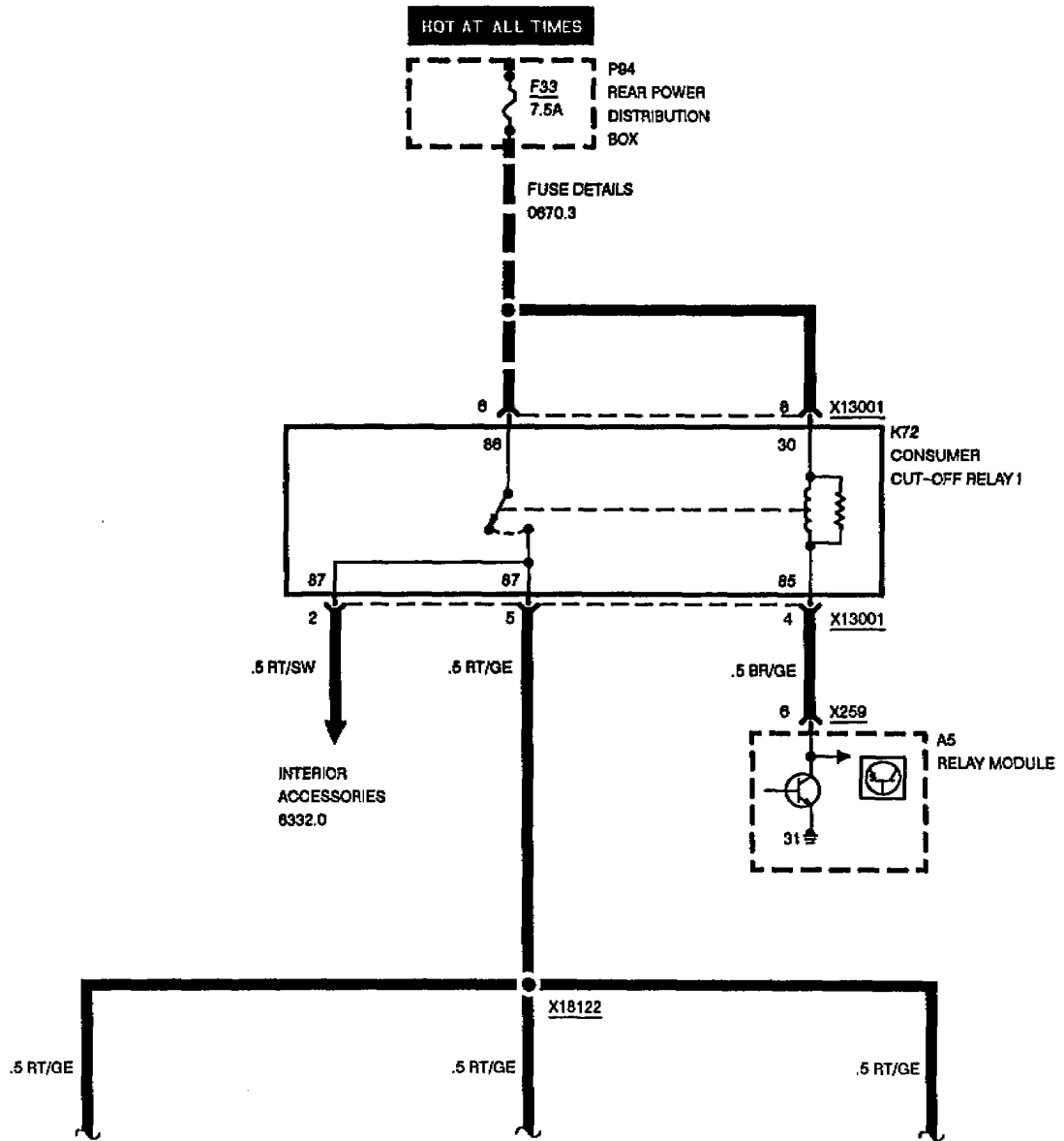
LICENSE PLATE LIGHTS

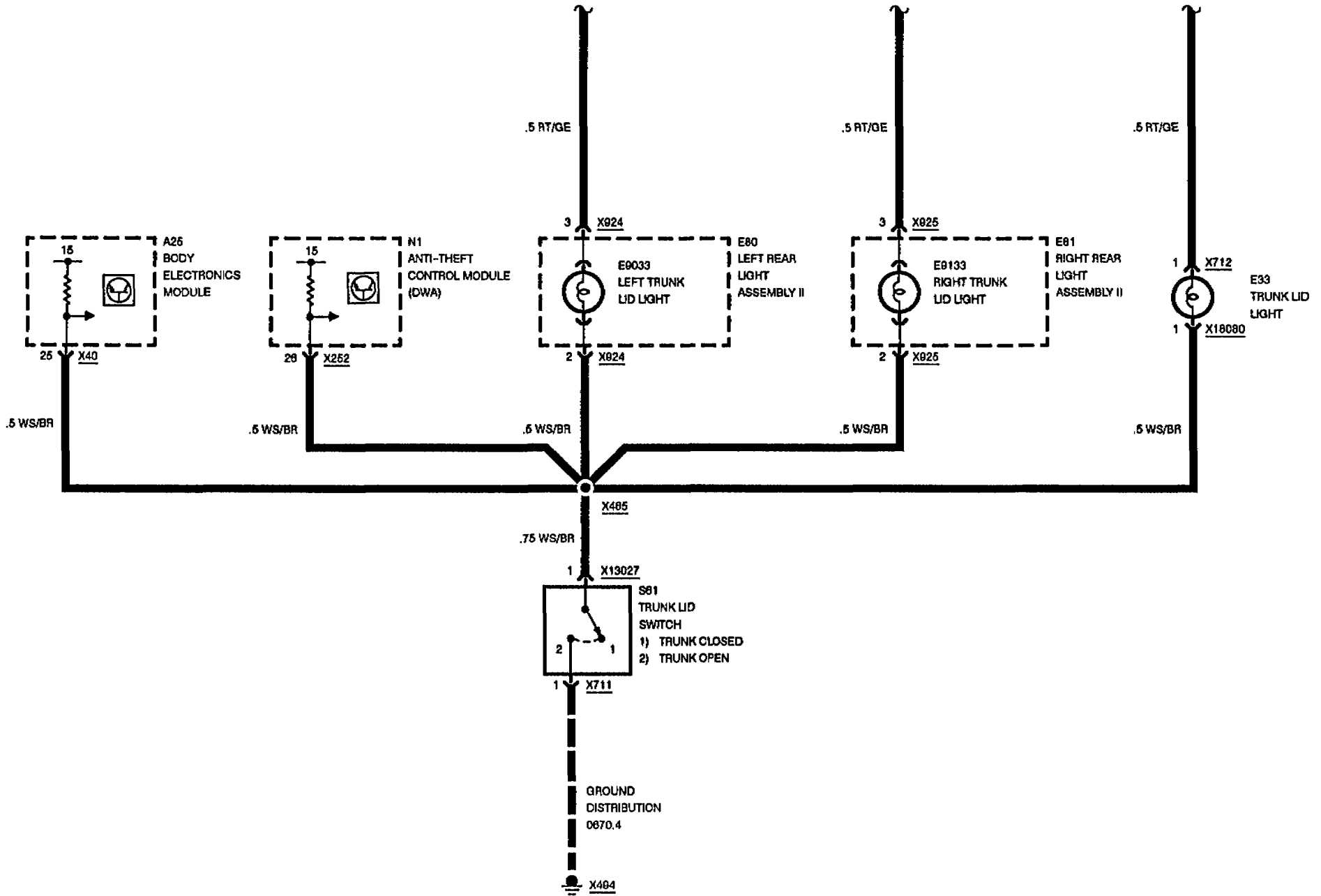






LICENSE PLATE/ LUGGAGE COMPARTMENT LIGHTS

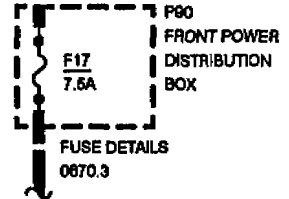






BACK UP LIGHTS

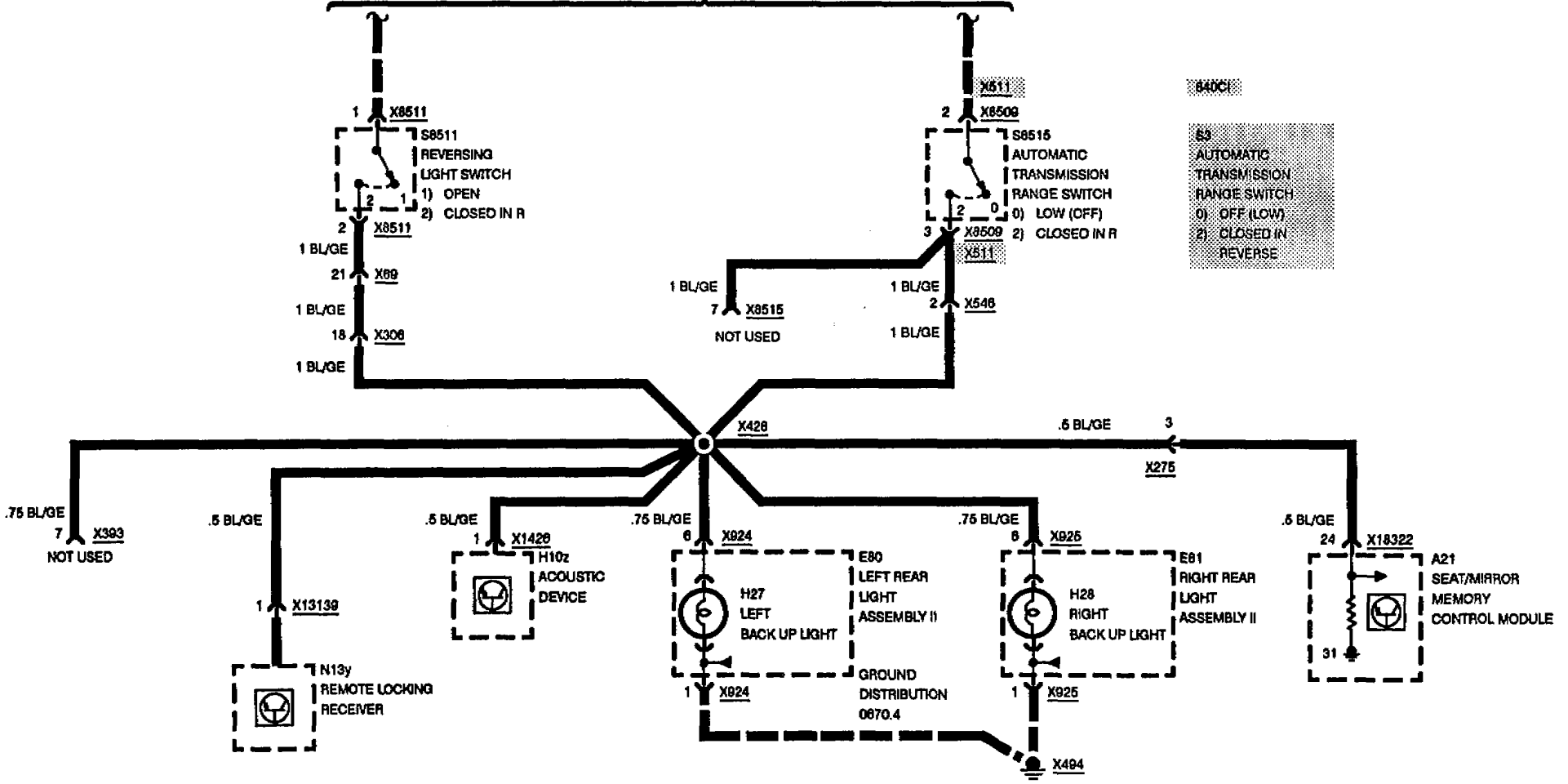
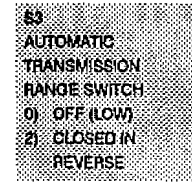
HOT IN RUN AND START



WITHOUT EGS

WITH EGS

64DC





6325.0

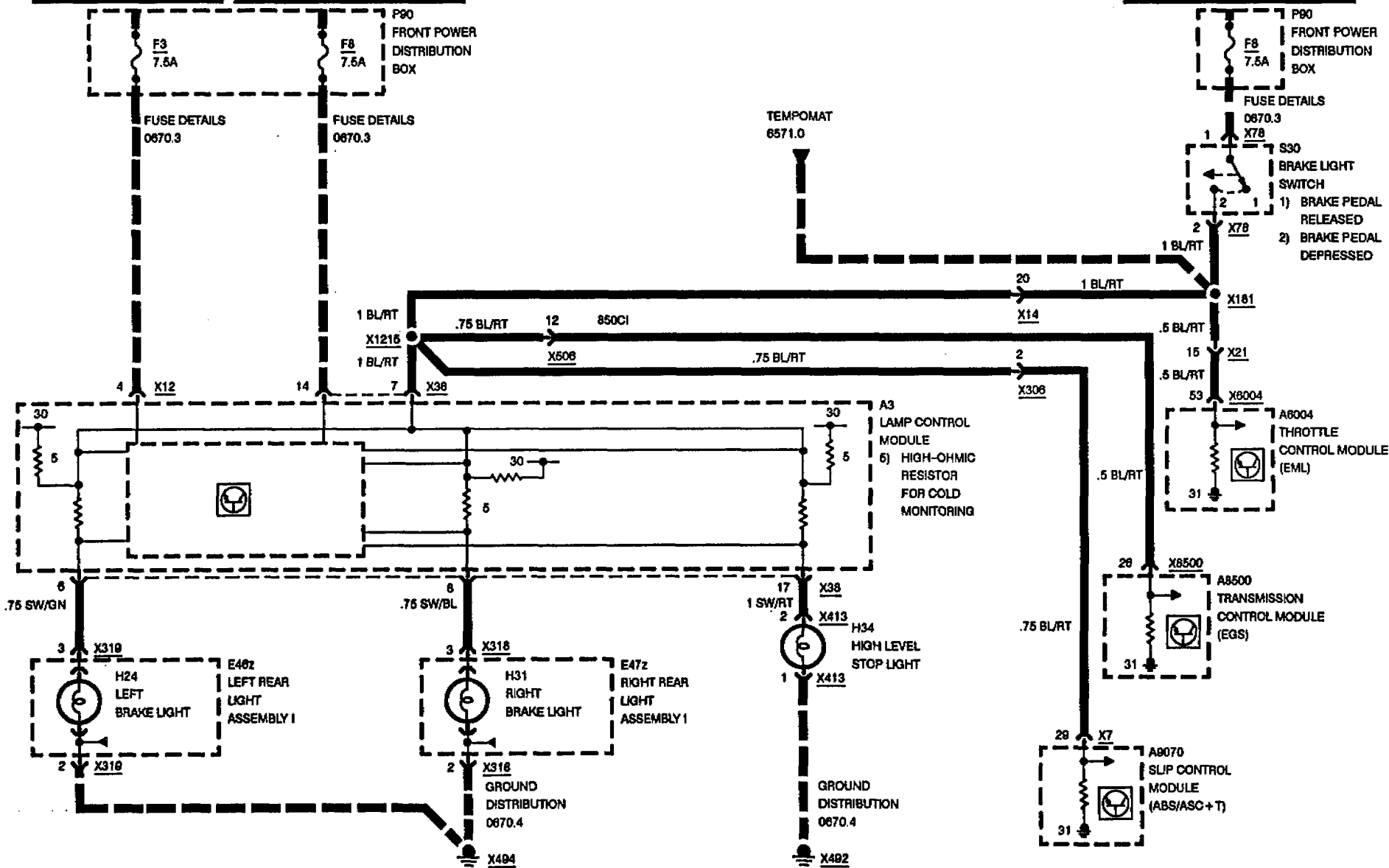


BRAKE LIGHTS

HOT IN RUN AND START

HOT IN ACCY, RUN OR START

HOT IN ACCY, RUN OR START



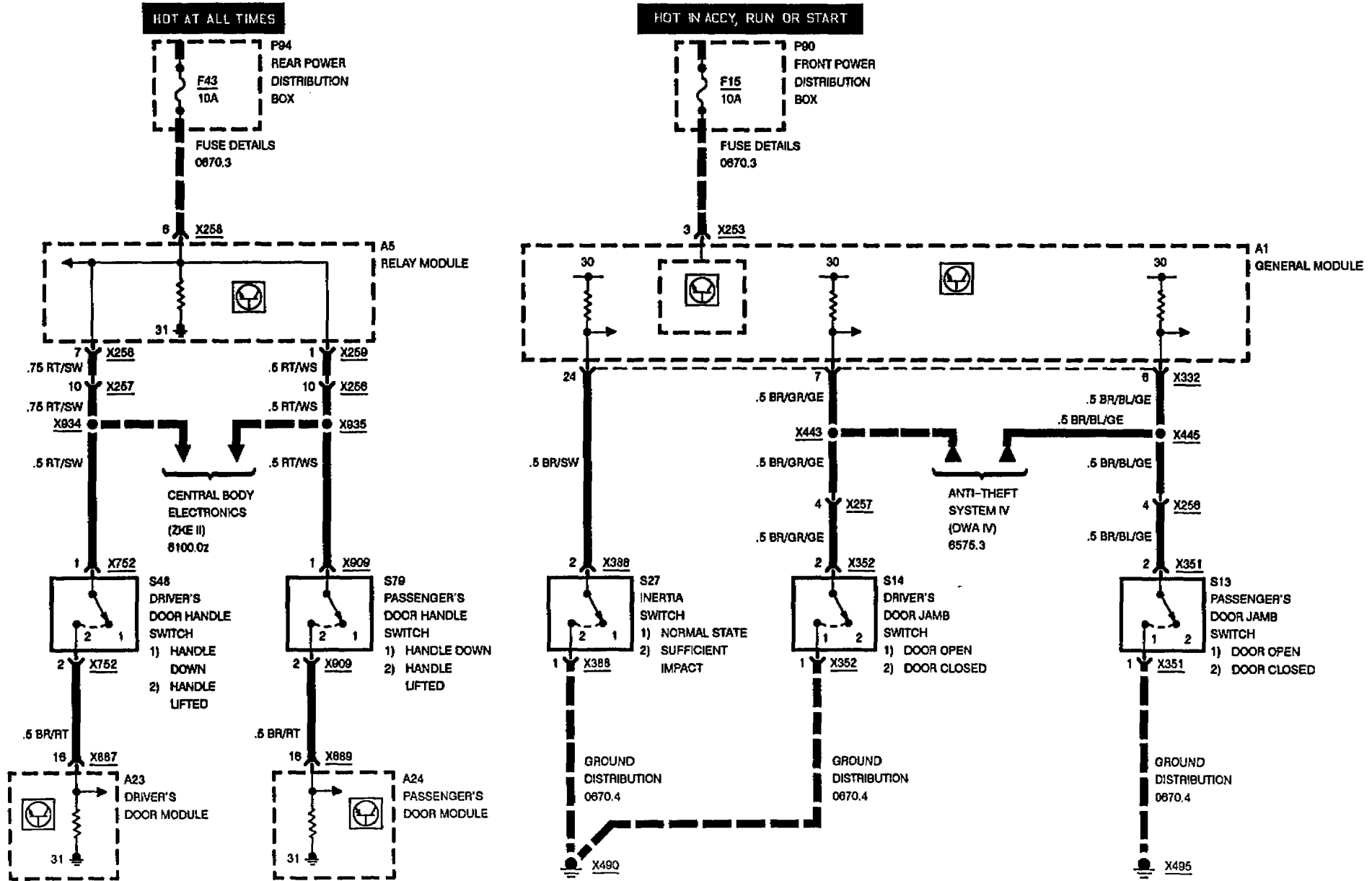
BMW
8

6330.0



ZKE INTERIOR LIGHTS (IB)

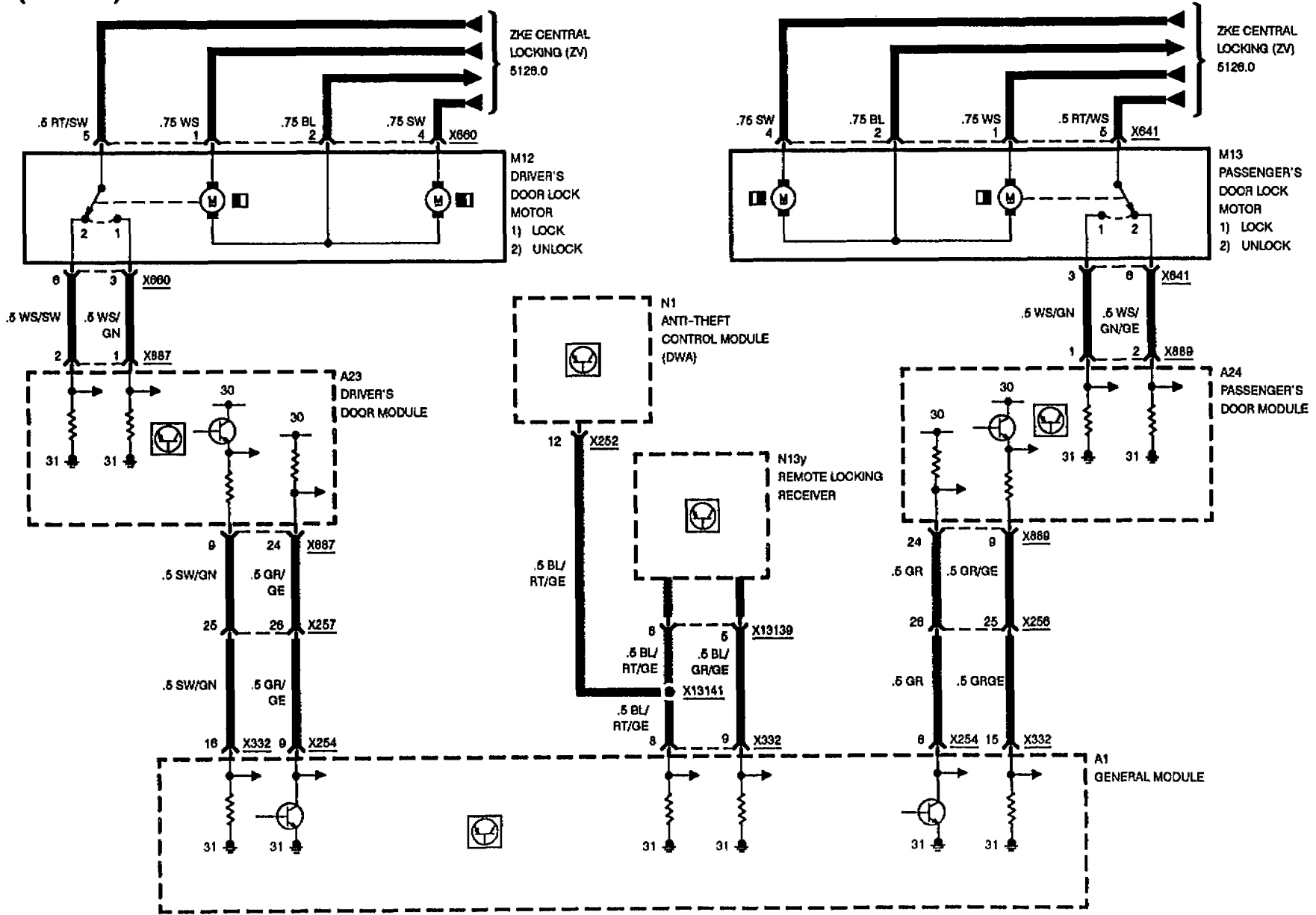
(INPUTS)





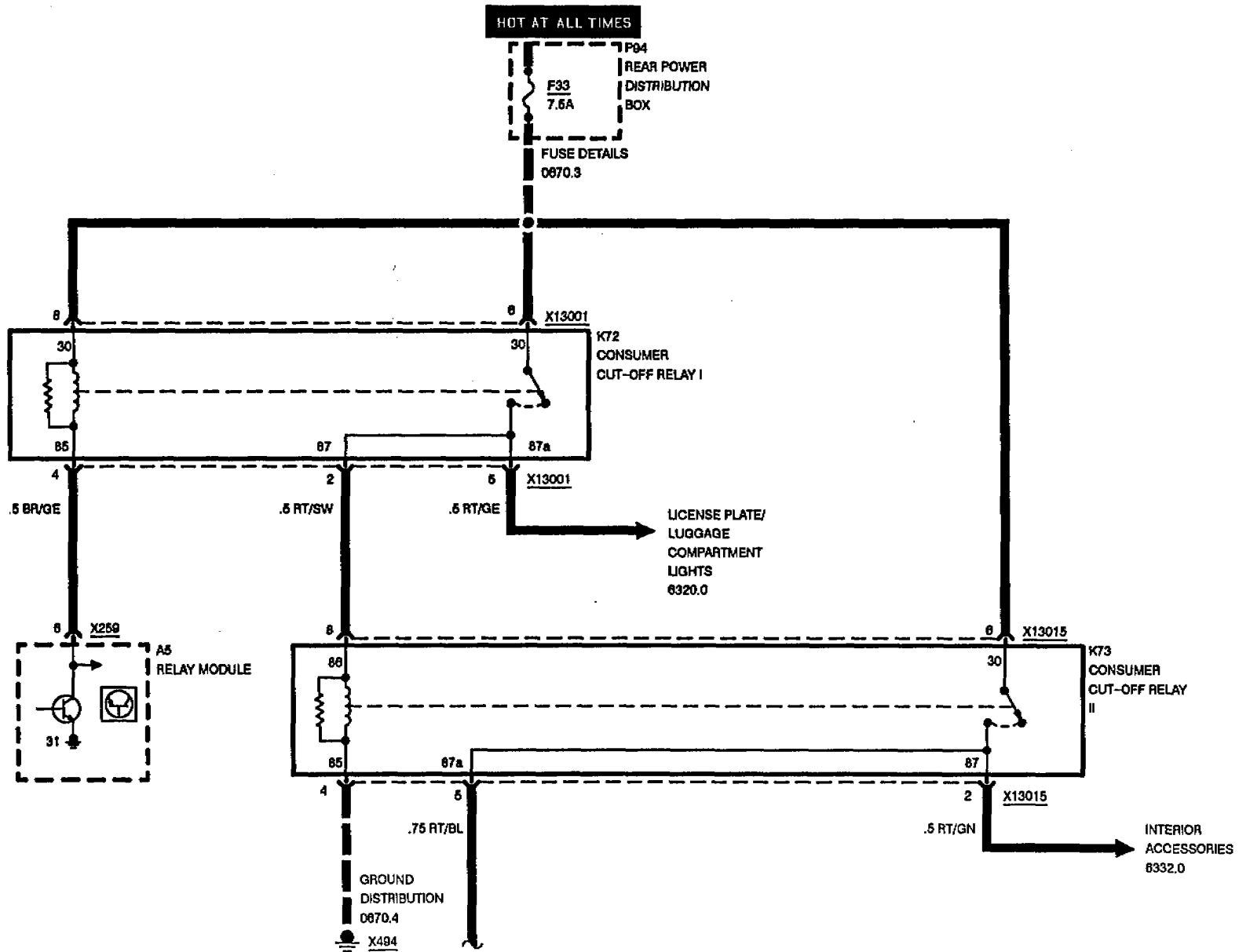
ZKE INTERIOR LIGHTS (IB)

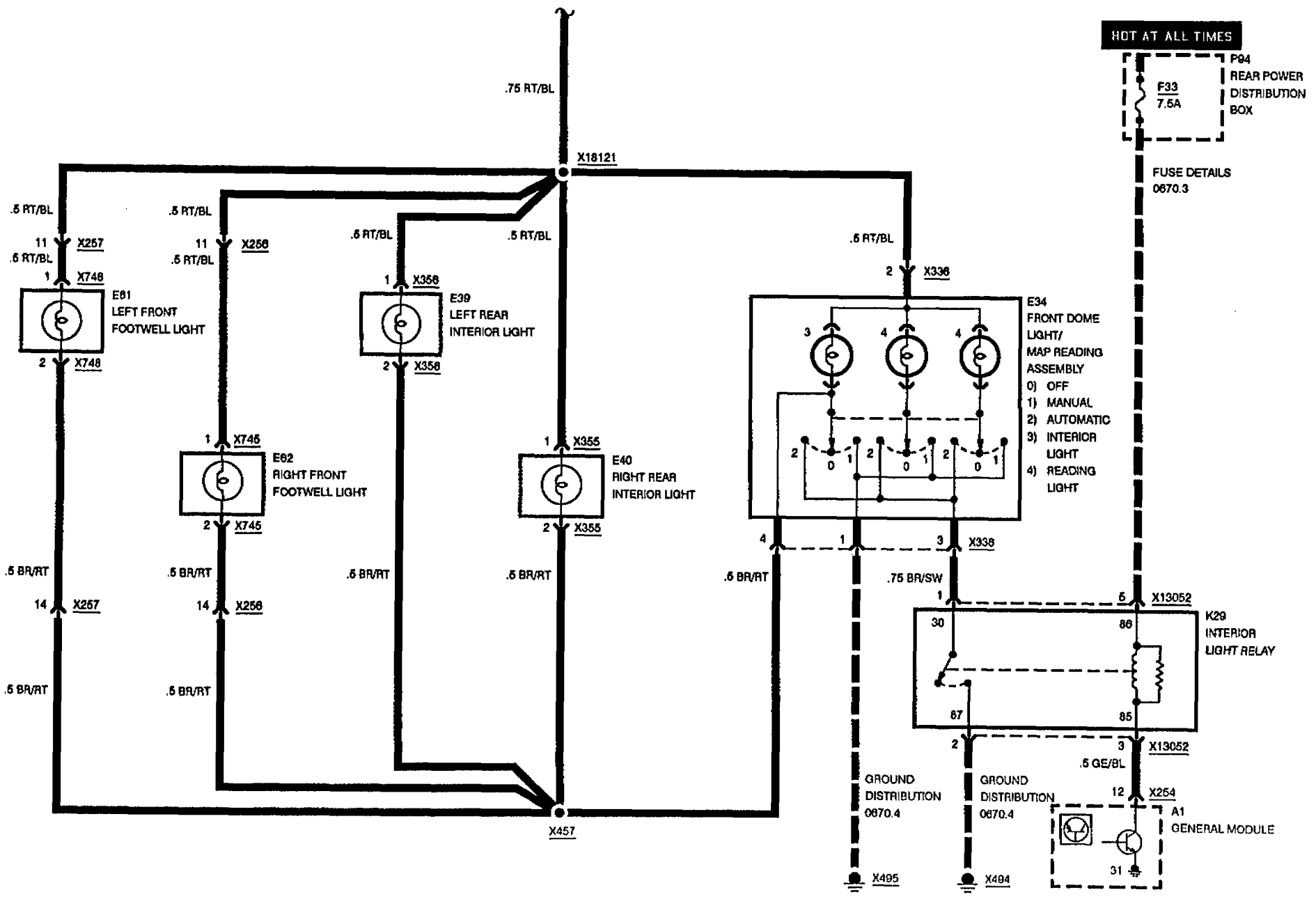
(INPUTS)





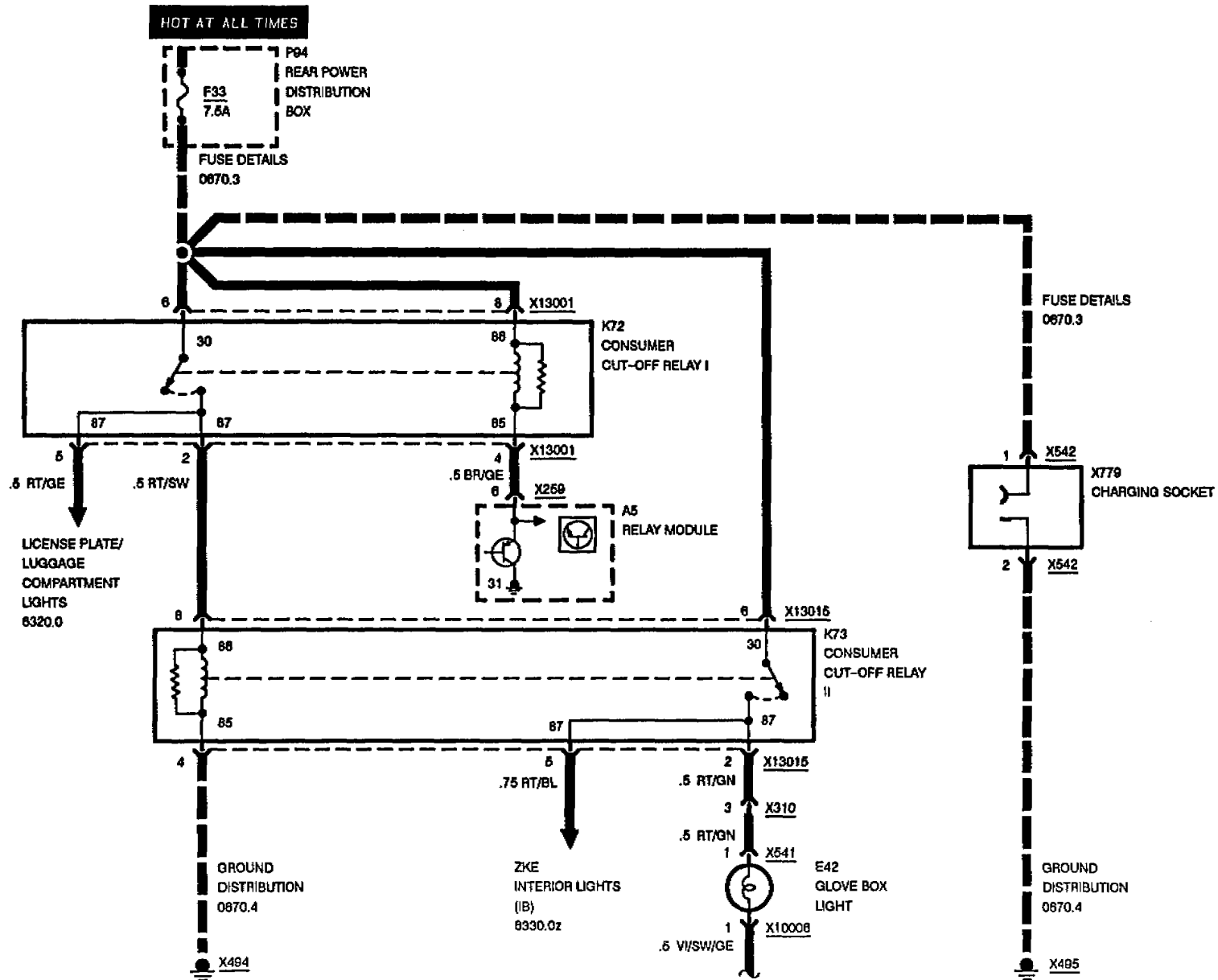
ZKE INTERIOR LIGHTS (IB)

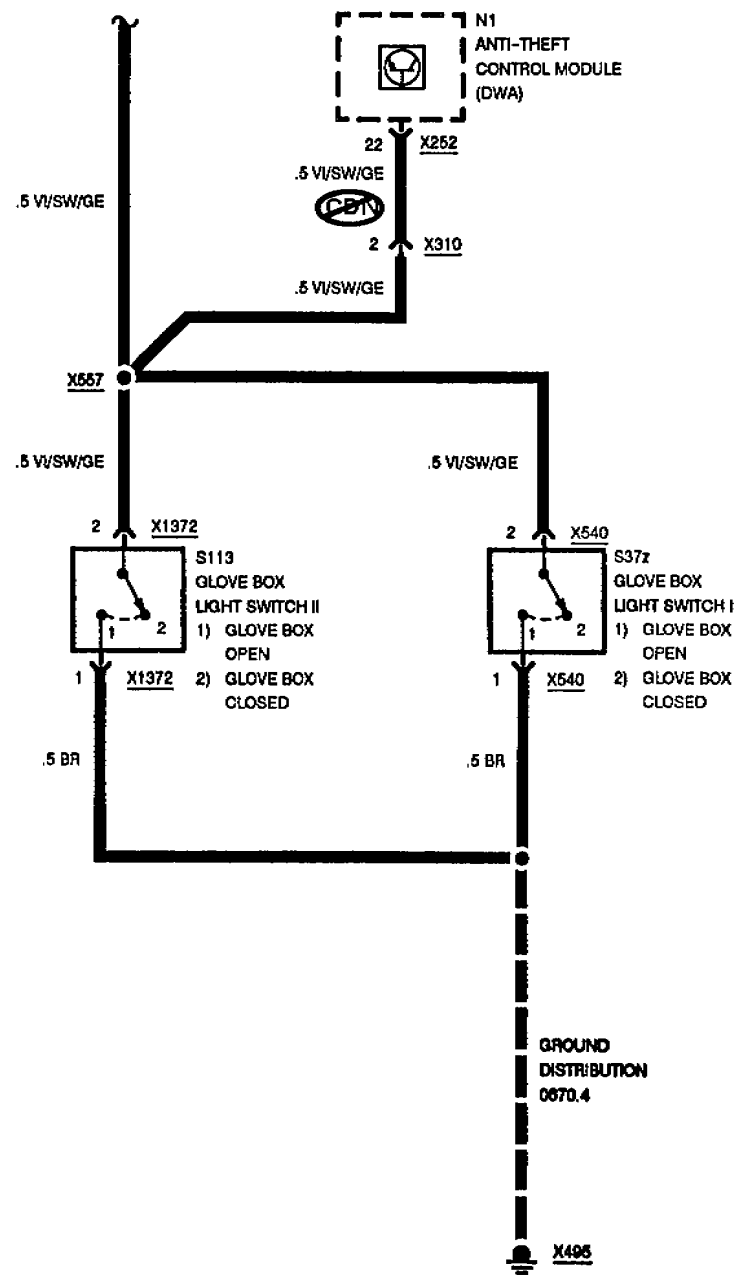
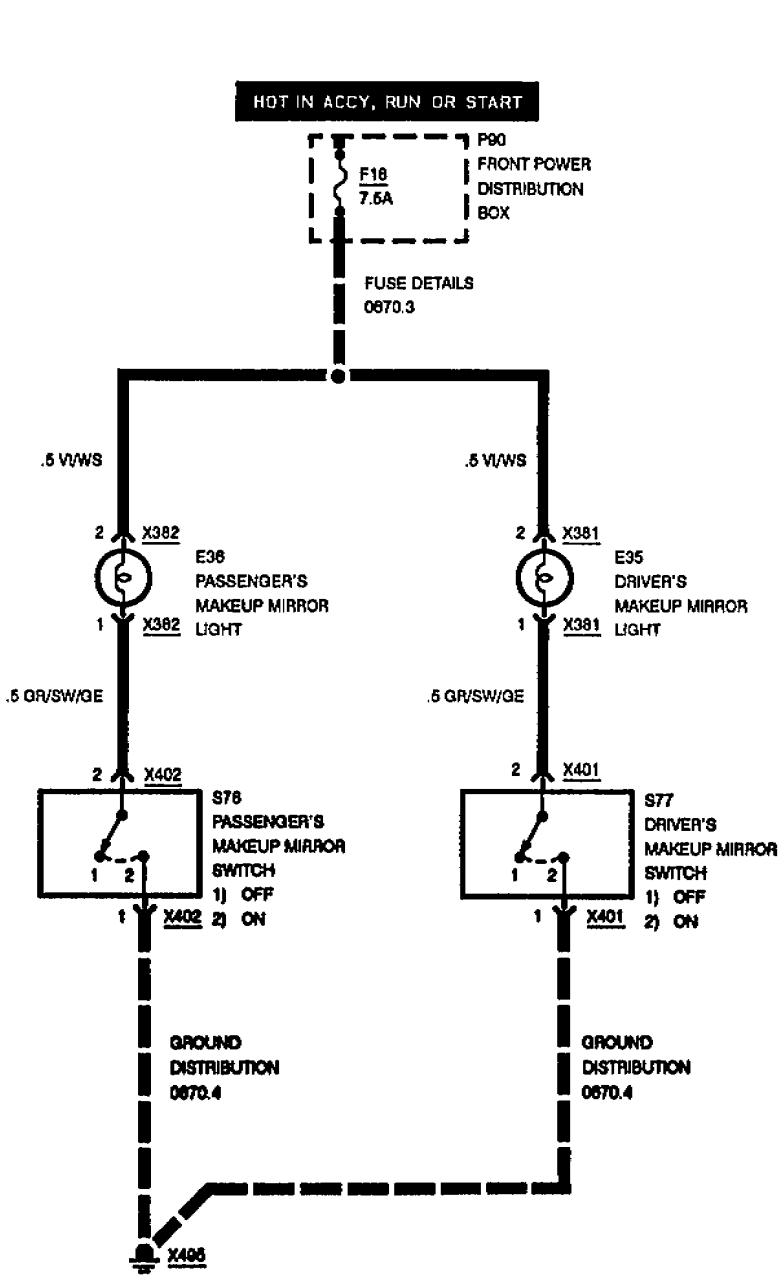


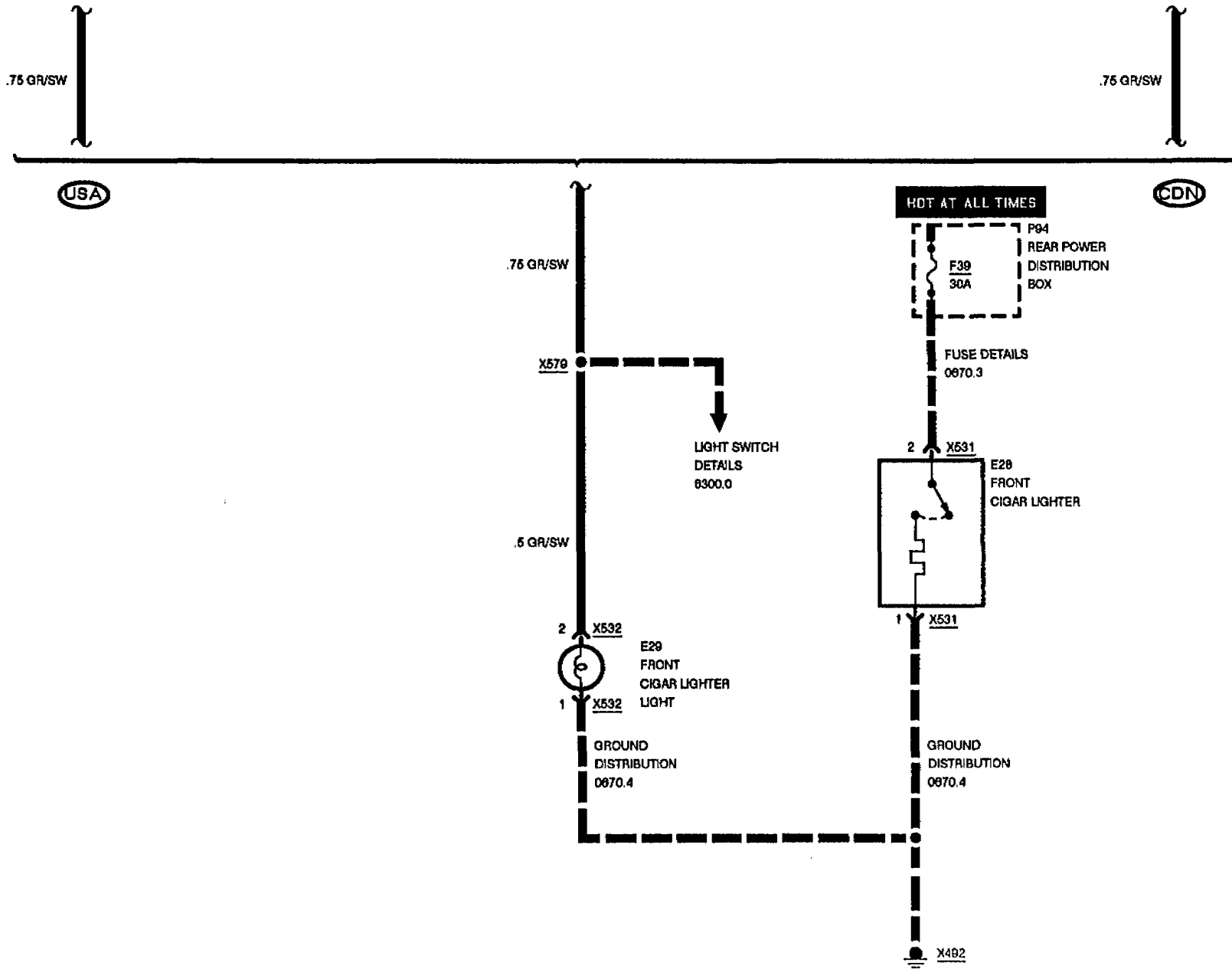




INTERIOR ACCESSORIES

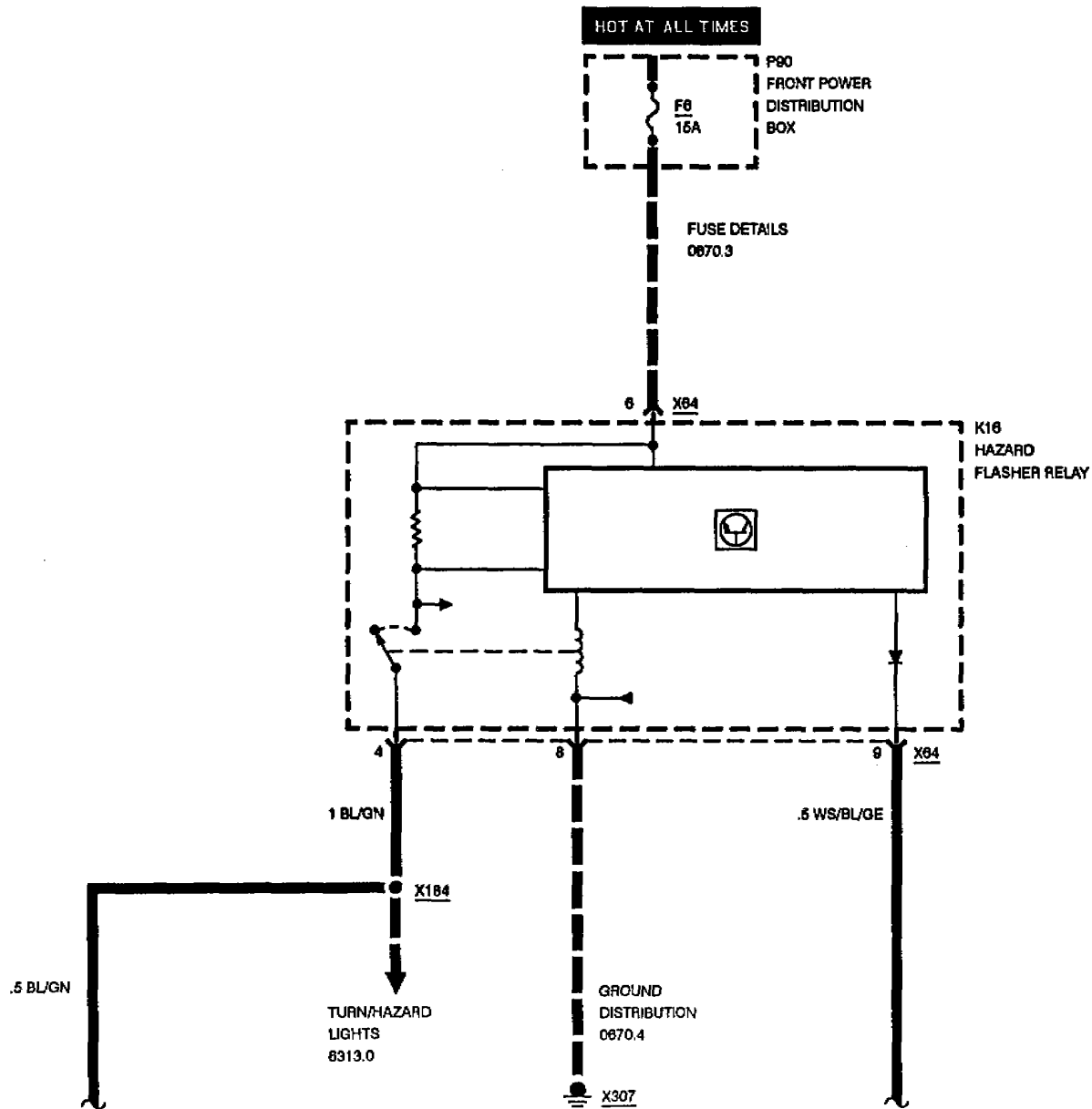


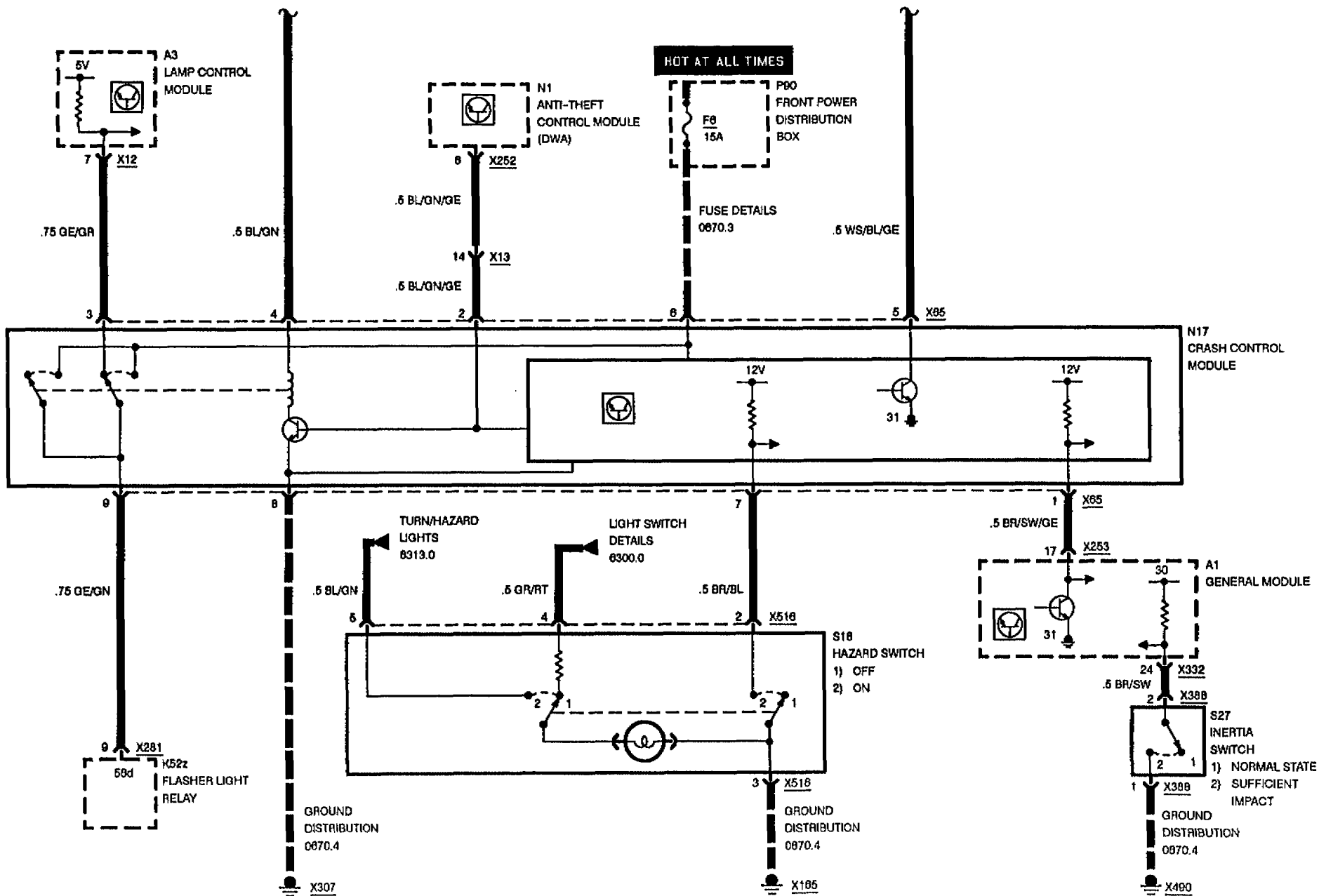






CRASH CONTROL MODULE







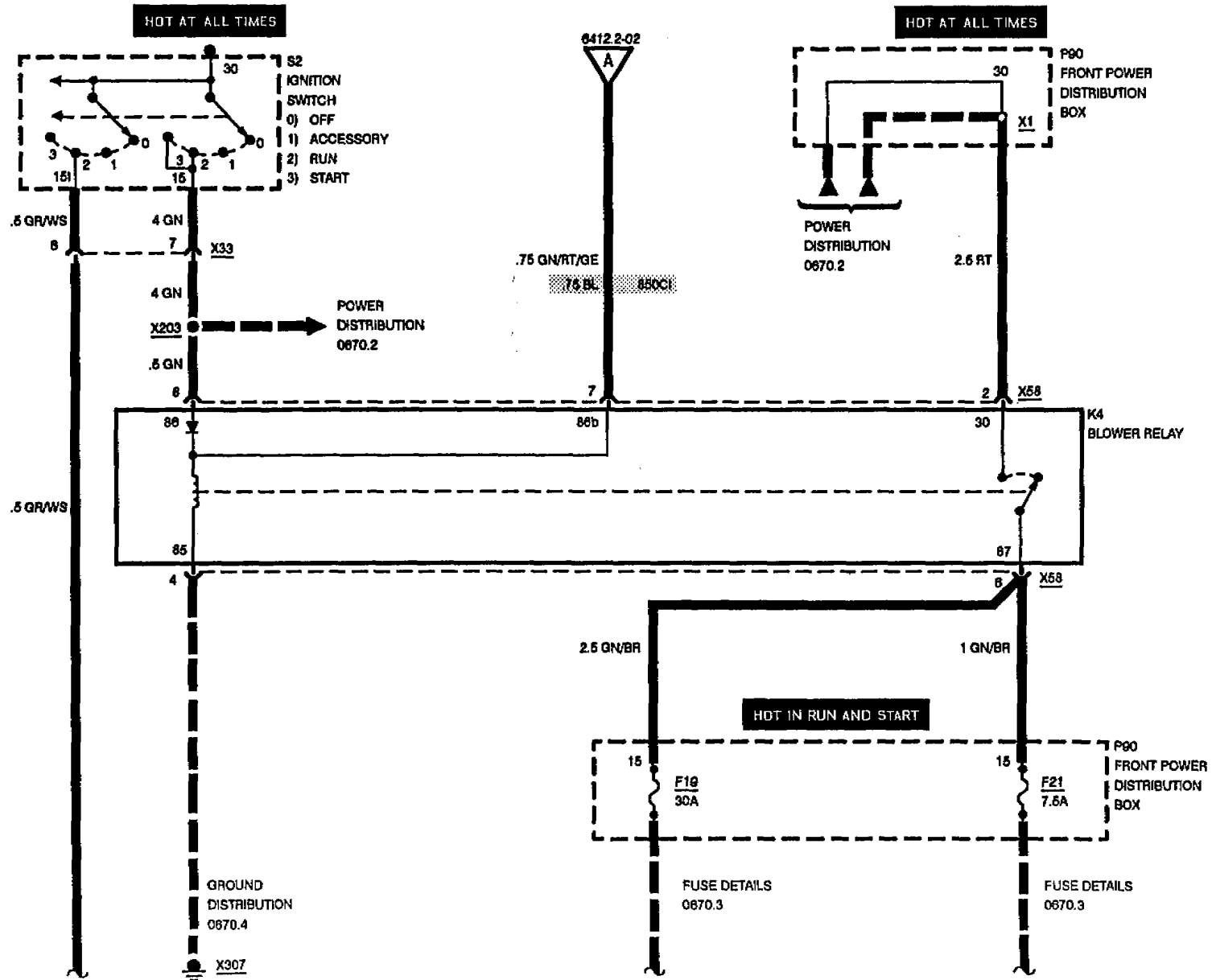
6350.0-02

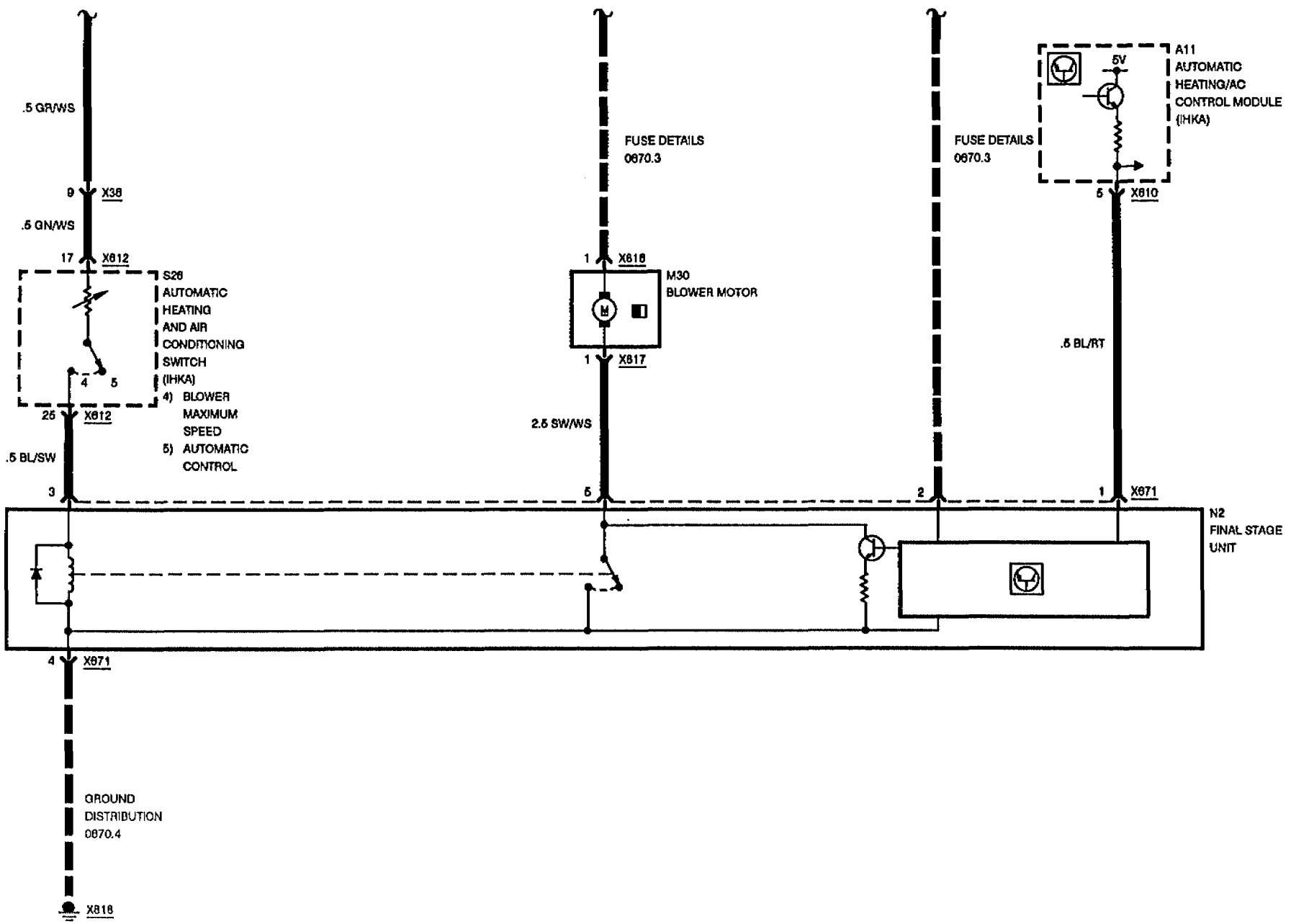


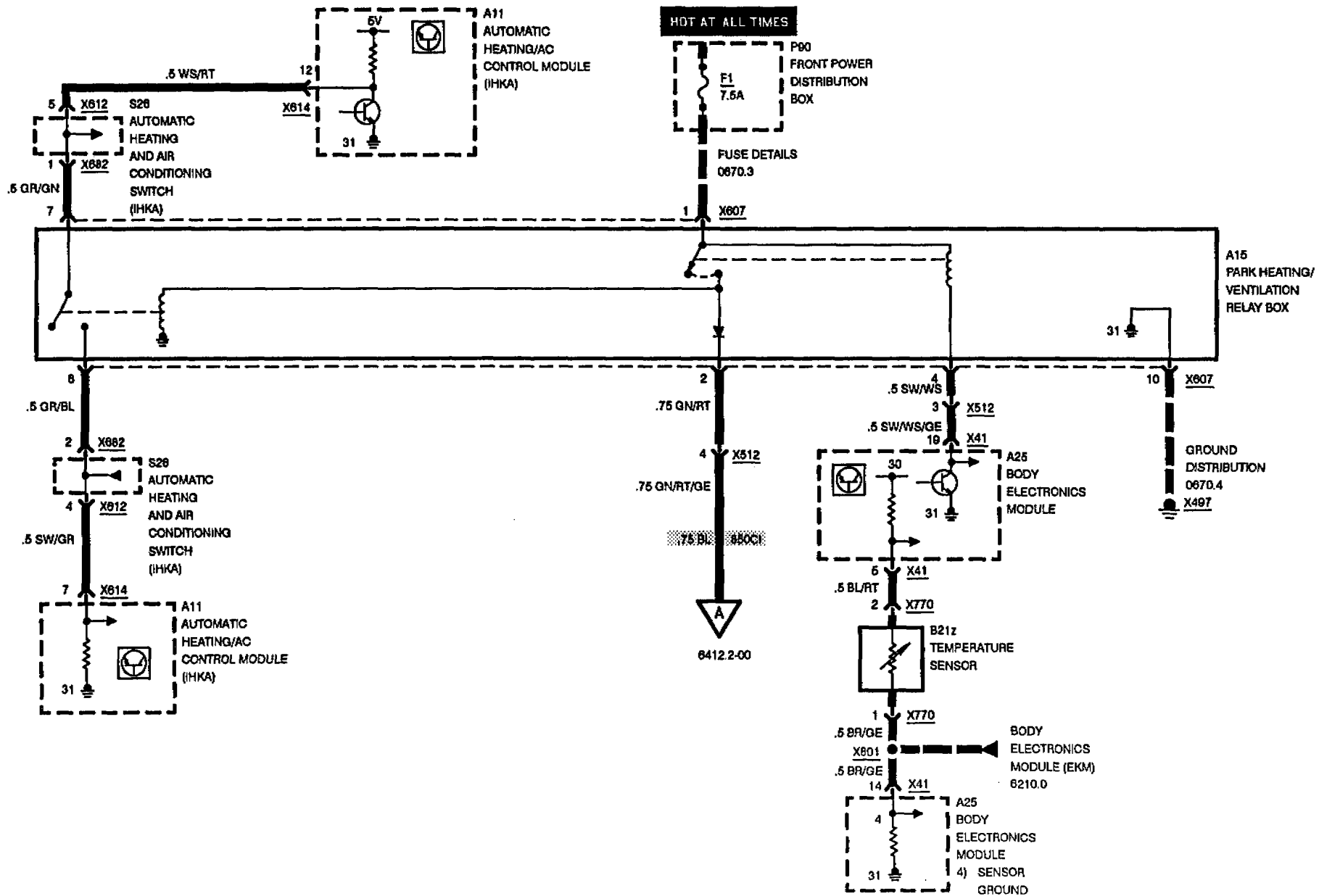
6412.2



PARK VENTILATION WITH IHKA





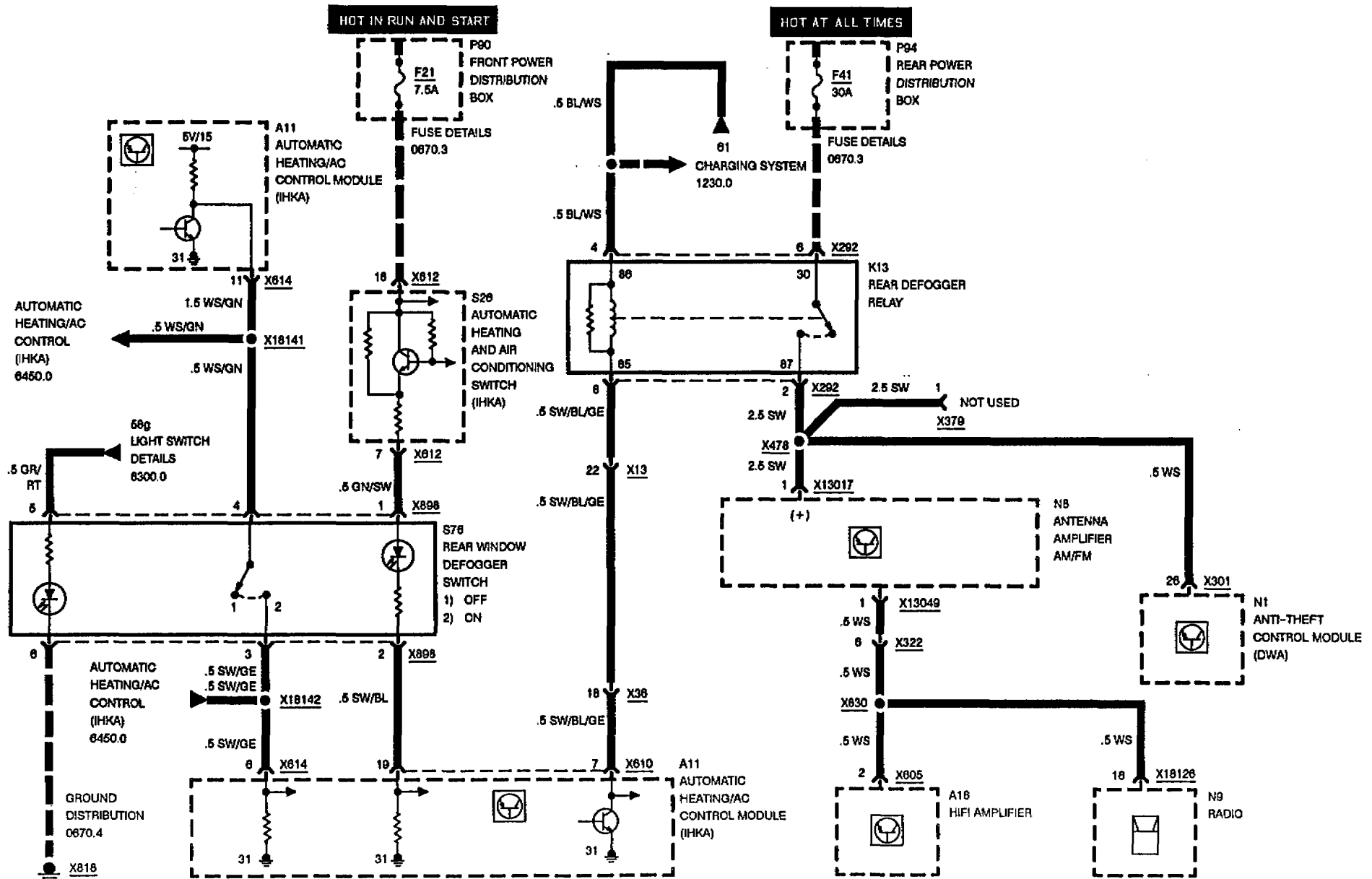


BMW
8

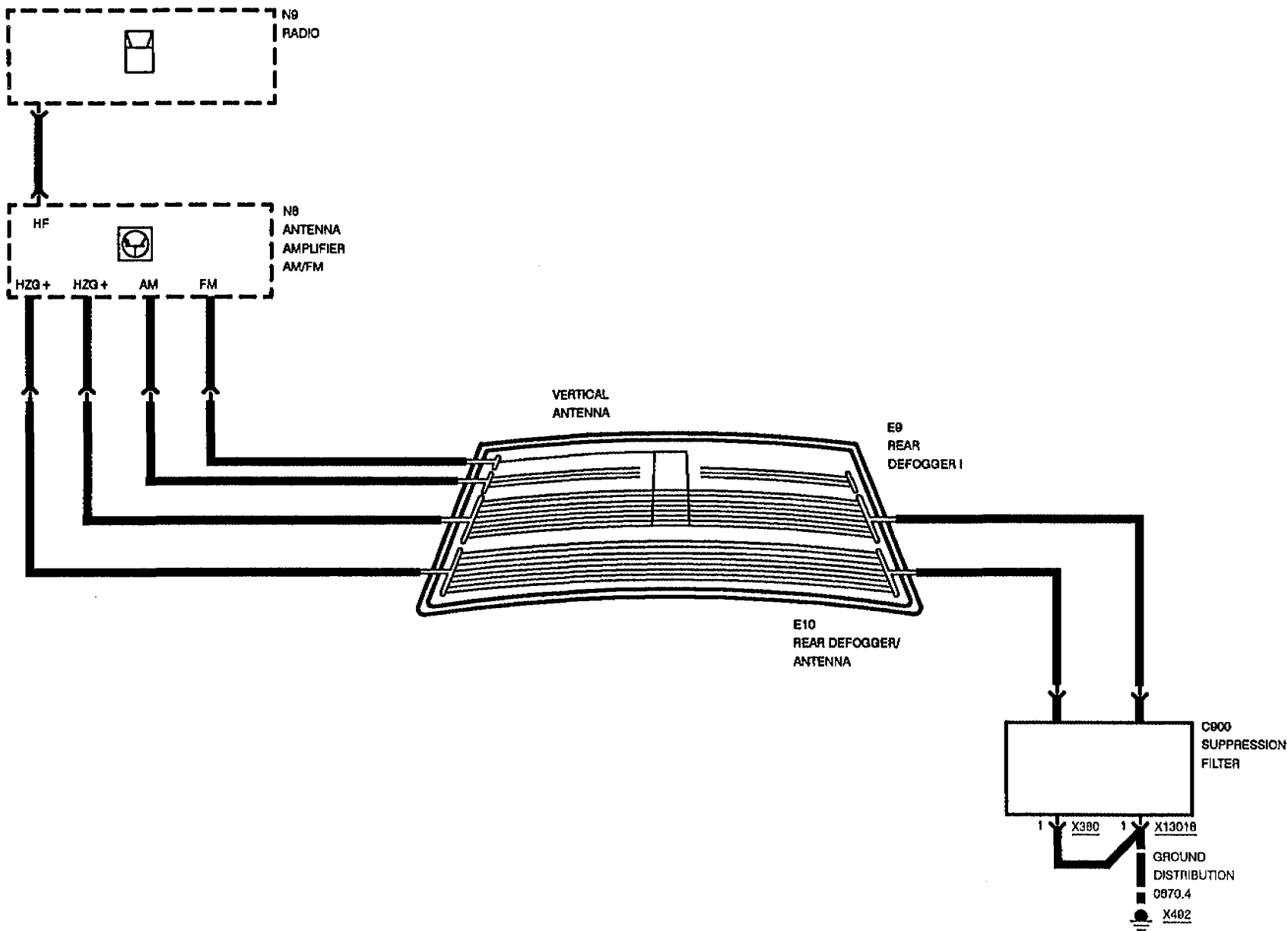
6424.0



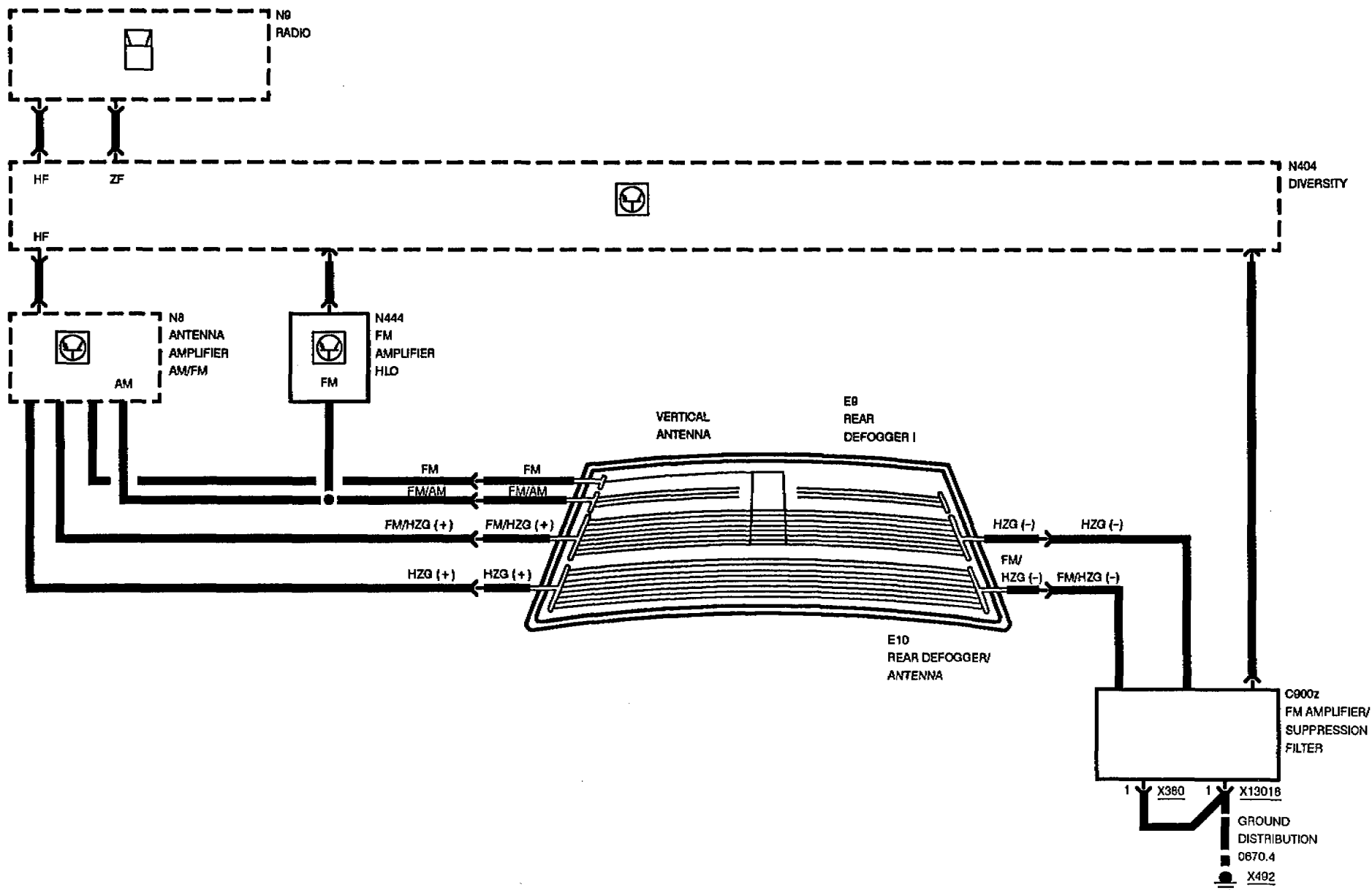
REAR WINDOW DEFOGGER/ ANTENNA

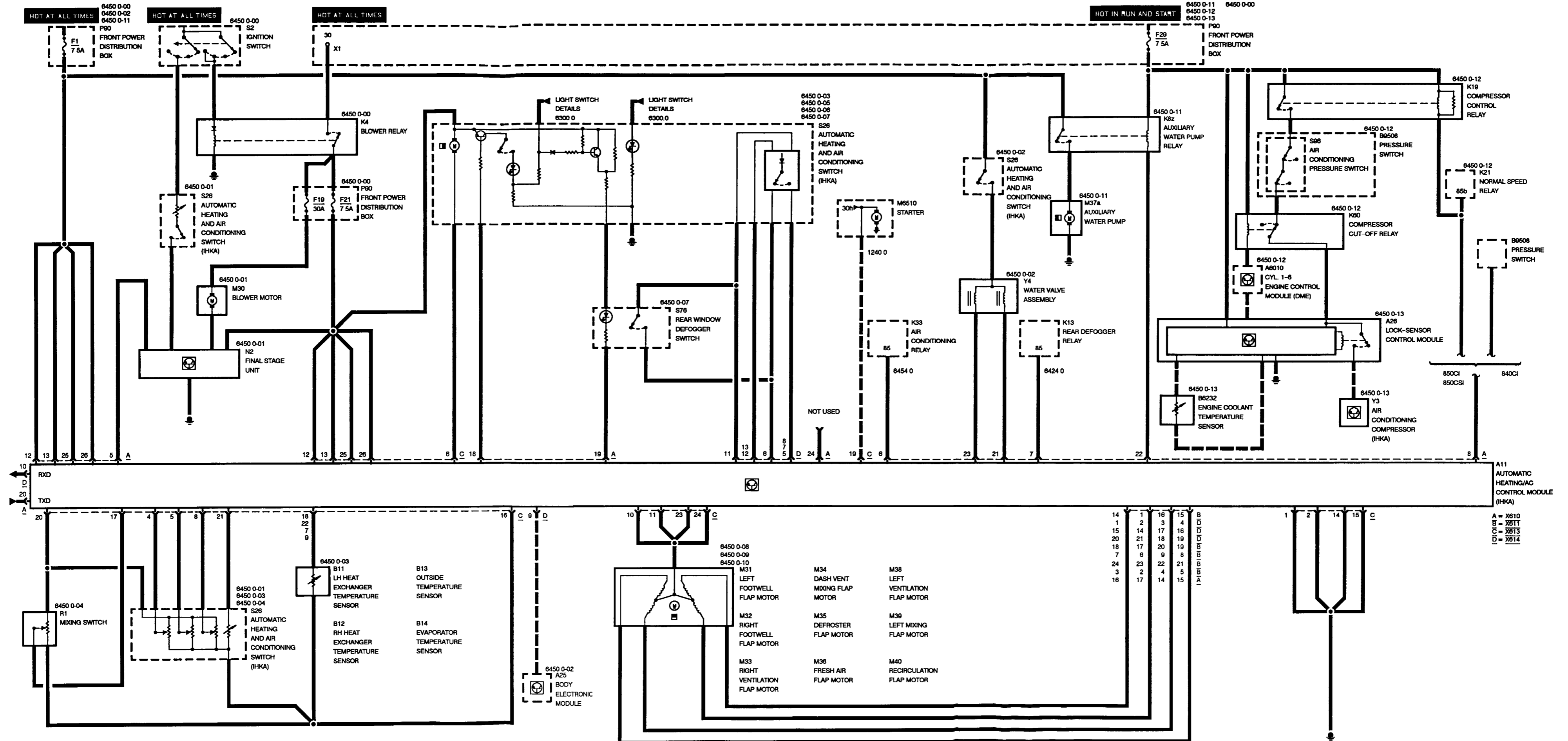


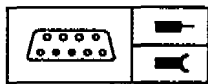
BMW 8 REAR WINDOW DEFOGGER/ ANTENNA
REAR WINDOW ANTENNA



BMW 8 REAR WINDOW DEFOGGER/ ANTENNA
3-ANTENNA-DIVERSITY







Pin Assignments

A=X610	26 pins, white
B=X611	26 pins, green
C=X613	26 pins, blue
D=X614	26 pins, yellow

X610

Pin	Type	Description/Function	Connection
1		Not used	
2		Not used	
3		Not used	
4		Not used	
5	A	Blower output stage activation	Final stage unit
6	A	Air conditioning	Air conditioning relay
7	A	Rear window defogger relay activation	Rear window defogger relay
8	A	Compressor control relay/normal speed relay activation	Compressor control relay/normal speed relay
9		Not used	
10		Not used	
11		Not used	
12	E	Voltage (terminal 30)	Fuse
13	E	Voltage (terminal 30)	Fuse
14	A	Circulating air flap motor activation	Footwell flap motor
15	A	Circulating air flap motor activation	Footwell flap motor
16	A	Circulating air flap motor activation	Footwell flap motor
17	A	Circulating air flap motor activation	Footwell flap motor
18	A	Function light activation	IHKA switch
19	A	Rear window defogger switch light activation	Rear window defogger switch
20	A	TxD diagnostic data line	Data link connector
21	A	Left water valve activation	Water valve assembly
22	A	Auxiliary water pump relay activation	Auxiliary water pump relay
23	A	Right water valve activation	Water valve assembly

E = Input, A = Output, M = Ground



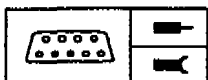
Pin Assignments

Pin	Type	Description/Function	Connection
24		Not used	
25	E	Voltage (terminal 30)	Fuse
26	E	Voltage (terminal 30)	Fuse

X611

Pin	Type	Description/Function	Connection
1	A	Left footwell flap motor activation	Left footwell flap motor
2	A	Left mixing flap motor activation	Left mixing flap motor
3	A	Left mixing flap motor activation	Left mixing flap motor
4	A	Left mixing flap motor activation	Left mixing flap motor
5	A	Left mixing flap motor activation	Left mixing flap motor
6	A	Fresh air flap motor activation	Fresh air flap motor
7	A	Fresh air flap motor activation	Fresh air flap motor
8	A	Fresh air flap motor activation	Fresh air flap motor
9	A	Fresh air flap motor activation	Fresh air flap motor
10		Not used	
11		Not used	
12		Not used	
13		Not used	
14	A	Left footwell flap motor activation	Left footwell flap motor
15	A	Left footwell flap motor activation	Left footwell flap motor
16	A	Left footwell flap motor activation	Left footwell flap motor
17	A	Defroster flap motor activation	Defroster flap motor
18	A	Defroster flap motor activation	Defroster flap motor
19	A	Defroster flap motor activation	Defroster flap motor
20	A	Defroster flap motor activation	Defroster flap motor
21	A	Left ventilation flap motor activation	Left ventilation flap motor
22	A	Left ventilation flap motor activation	Left ventilation flap motor
23	A	Left ventilation flap motor activation	Left ventilation flap motor
24	A	Left ventilation flap motor activation	Left ventilation flap motor

E = Input, A = Output, M = Ground



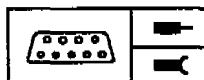
Pin Assignments

Pin	Type	Description/Function	Connection
25		Not used	
26		Not used	

X613

Pin	Type	Description/Function	Connection
1	M	Ground	Ground point
2	M	Ground	Ground point
3		Not used	
4	E	Nominal temperature value, left (potentiometer)	IHKA switch
5	E	Nominal air flow value (potentiometer)	IHKA switch
6	M	Interior sensor blower (ground)	IHKA switch
7	A/E	Outside temperature	Outside temperature sensor
8	E	Nominal temperature value, right (potentiometer)	IHKA switch
9	A/E	Evaporator temperature	Evaporator temp. sensor
10	A	Voltage for flap motors	Plus connector for flap motors
11	A	Voltage for flap motors	Plus connector for flap motors
12	E	Ignition voltage (terminal 15)	Blower relay/fuse
13	E	Ignition voltage (terminal 15)	Blower relay/fuse
14	M	Ground	Ground point
15	M	Ground	Ground point
16	A	Ground for sensors and control wheels	Sensors and control wheels
17	E	Nominal mixing air value	Temperature distribution potentiometer
18	A/E	Left heater temperature	Left heat exchanger temperature sensor
19	E	Starter signal 30h	Starter
20	A	Voltage for control wheels	Control wheels
21	A/E	Inside air temperature sensor	IHKA switch
22	A/E	Right heater temperature	Right heat exchanger temperature sensor
23	A	Voltage for flap motors	Plus connector for flap motors
24	A	Voltage for flap motors	Plus connector for flap motors

E = Input, A = Output, M = Ground



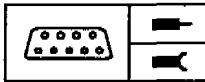
Pin Assignments

Pin	Type	Description/Function	Connection
25	E	Ignition voltage (terminal 15)	Blower relay/fuse
26	E	Ignition voltage (terminal 15)	Blower relay/fuse

X614

Pin	Type	Description/Function	Connection
1	A	Right footwell flap motor activation	Right footwell flap motor
2	A	Right footwell flap motor activation	Right footwell flap motor
3	A	Right footwell flap motor activation	Right footwell flap motor
4	A	Right footwell flap motor activation	Right footwell flap motor
5	E	Switch for circulating air and air conditioning	IHKA switch
6	E	Switch for rear window, max left, bottom left	IHKA switch/rear window defogger switch
7	E	Switch for defrost, park heating, park ventilation	IHKA switch, relay box park heating/park ventilation
8	E	Switch for max right, bottom right, right-hand drive coding diode	IHKA switch
9	E	Vehicle speed signal	Body electronics module (EKM)
10	E	RxD diagnostic data line	Data link connector
11	A	Switch for rear window, park heating, right-hand drive coding diode	IHKA switch/rear window defogger switch
12	A	Switch for circulating air, max left, max right, park ventilation	IHKA switch
13	A	Switch for air conditioning, bottom left, defrost, bottom right	IHKA switch
14	A	Right ventilation flap motor activation	Right ventilation flap motor
15	A	Right ventilation flap motor activation	Right ventilation flap motor
16	A	Right ventilation flap motor activation	Right ventilation flap motor
17	A	Right ventilation flap motor activation	Right ventilation flap motor
18	A	Dash vent mixing flap motor activation	Dash vent mixing flap motor
19	A	Dash vent mixing flap motor activation	Dash vent mixing flap motor
20	A	Dash vent mixing flap motor activation	Dash vent mixing flap motor
21	A	Dash vent mixing flap motor activation	Dash vent mixing flap motor
22		Not used	

E = Input, A = Output, M = Ground



Pin Assignments

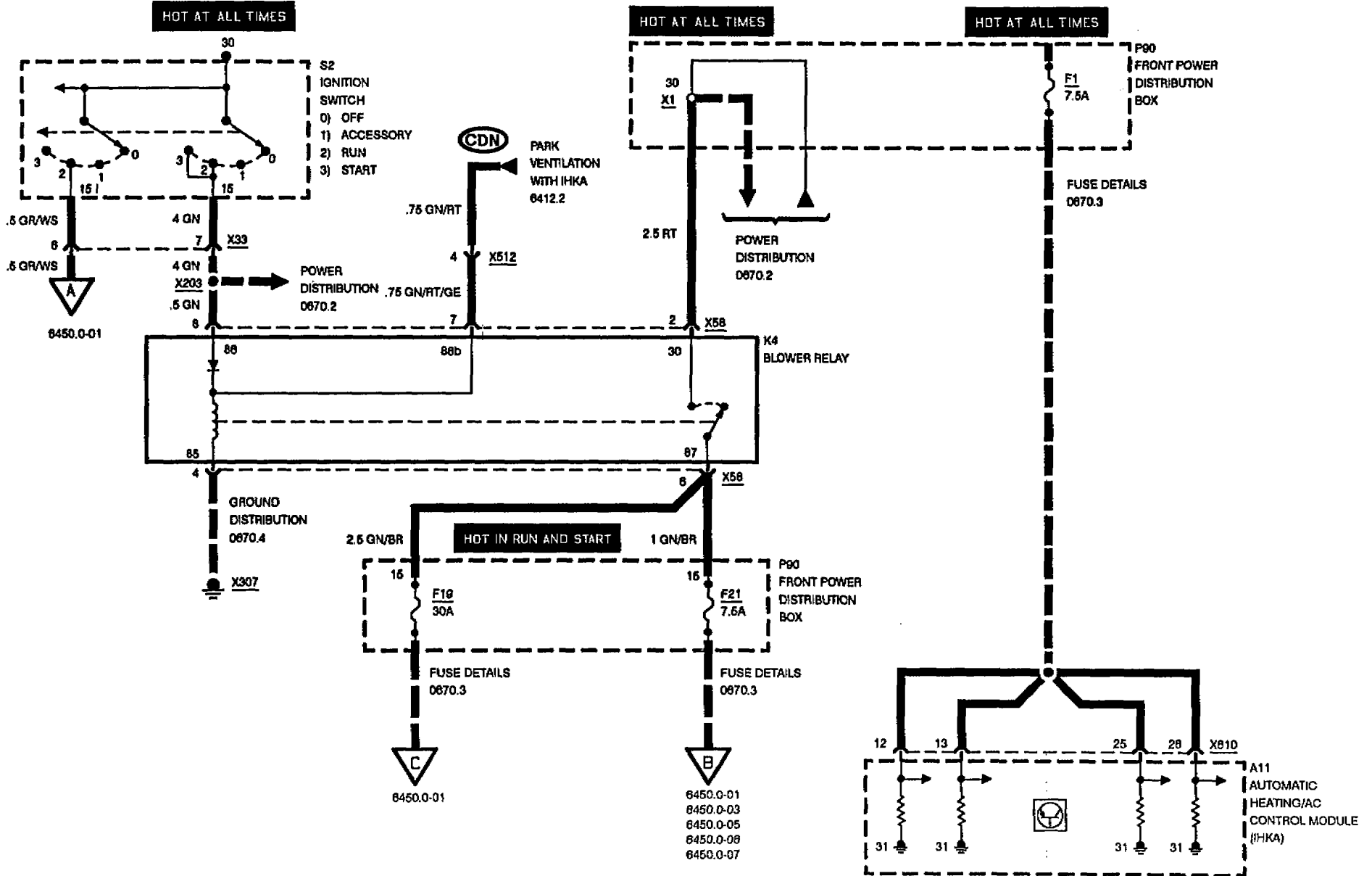
Pin	Type	Description/Function	Connection
23		Not used	
24		Not used	
25		Not used	
26		Not used	

E = Input, A = Output, M = Ground



AUTOMATIC HEATING/AC CONTROL (IHKA)

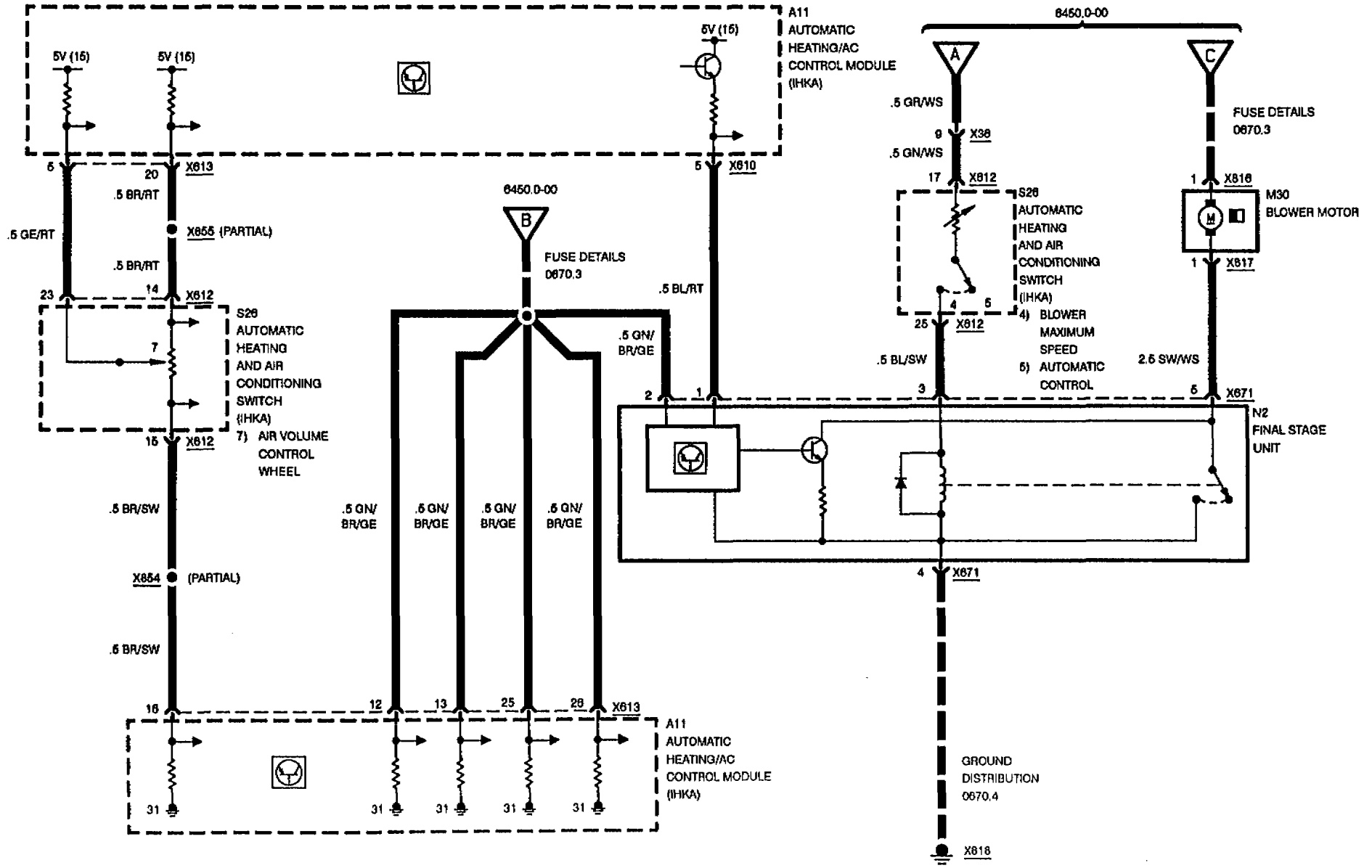
POWER





AUTOMATIC HEATING/AC CONTROL (IHKA)

BLOWER CONTROLS

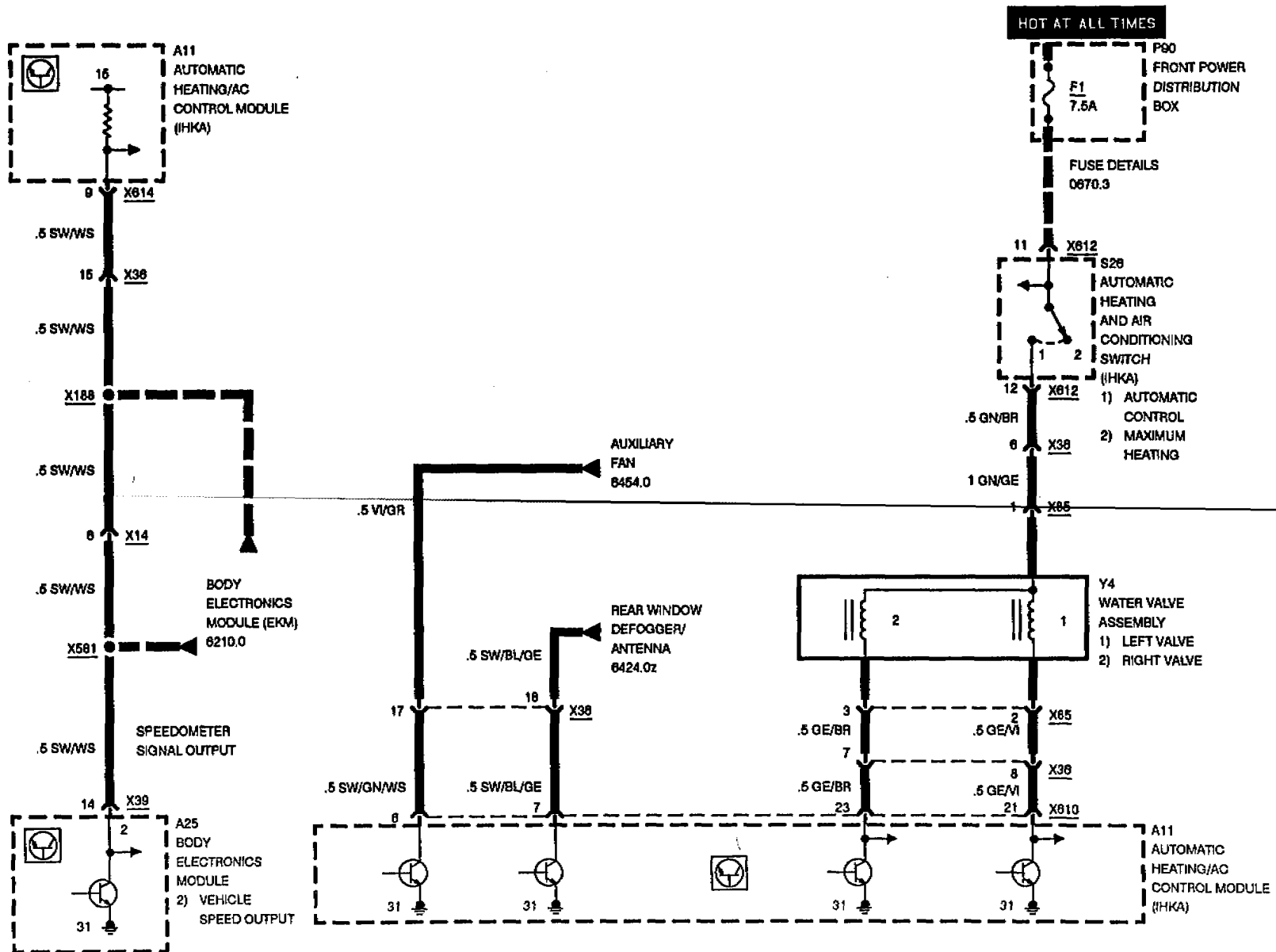




AUTOMATIC HEATING/AC CONTROL (IHKA)

BLOWER CONTROLS

WATER VALVES



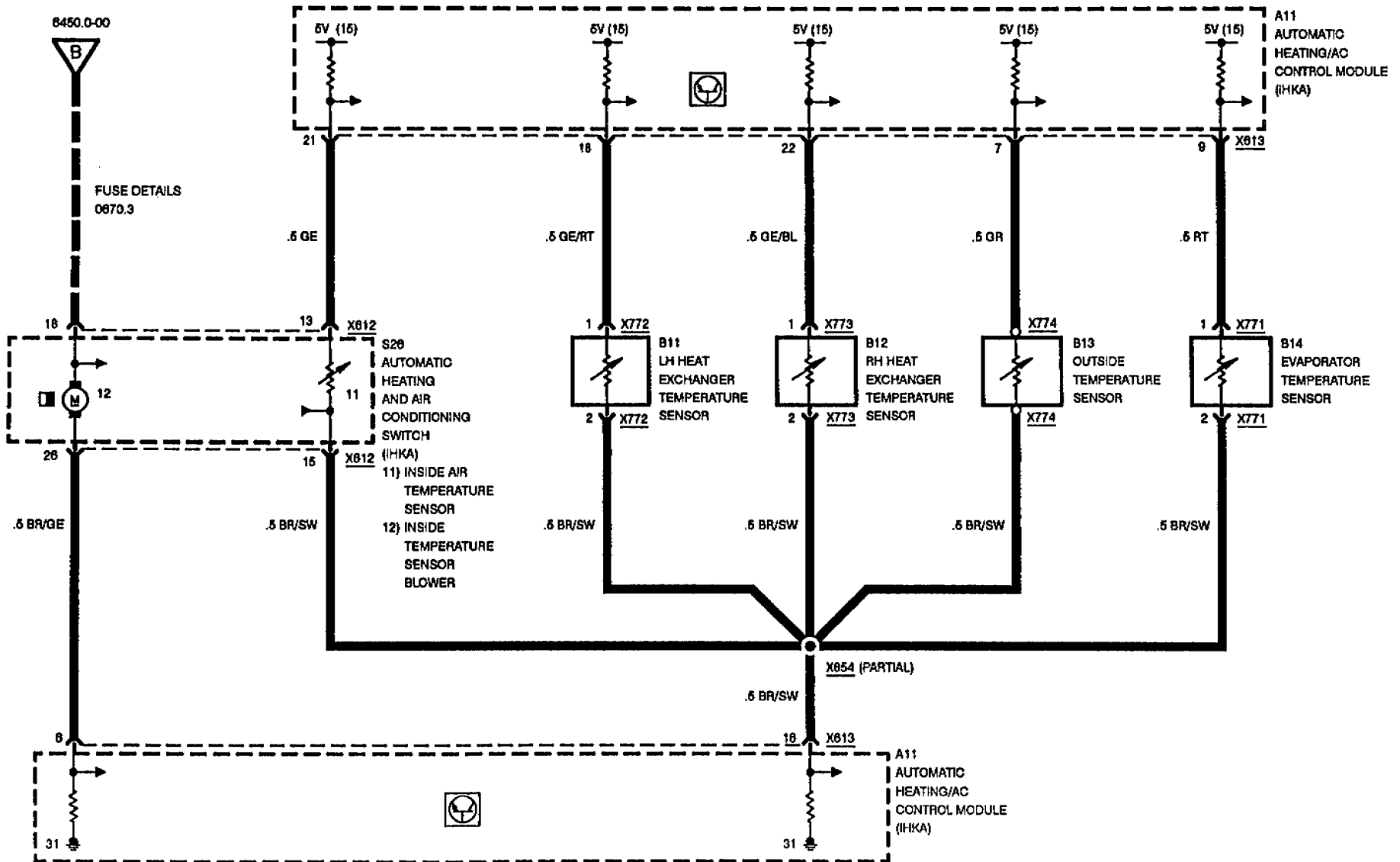
09/93

6450.0-02

1994

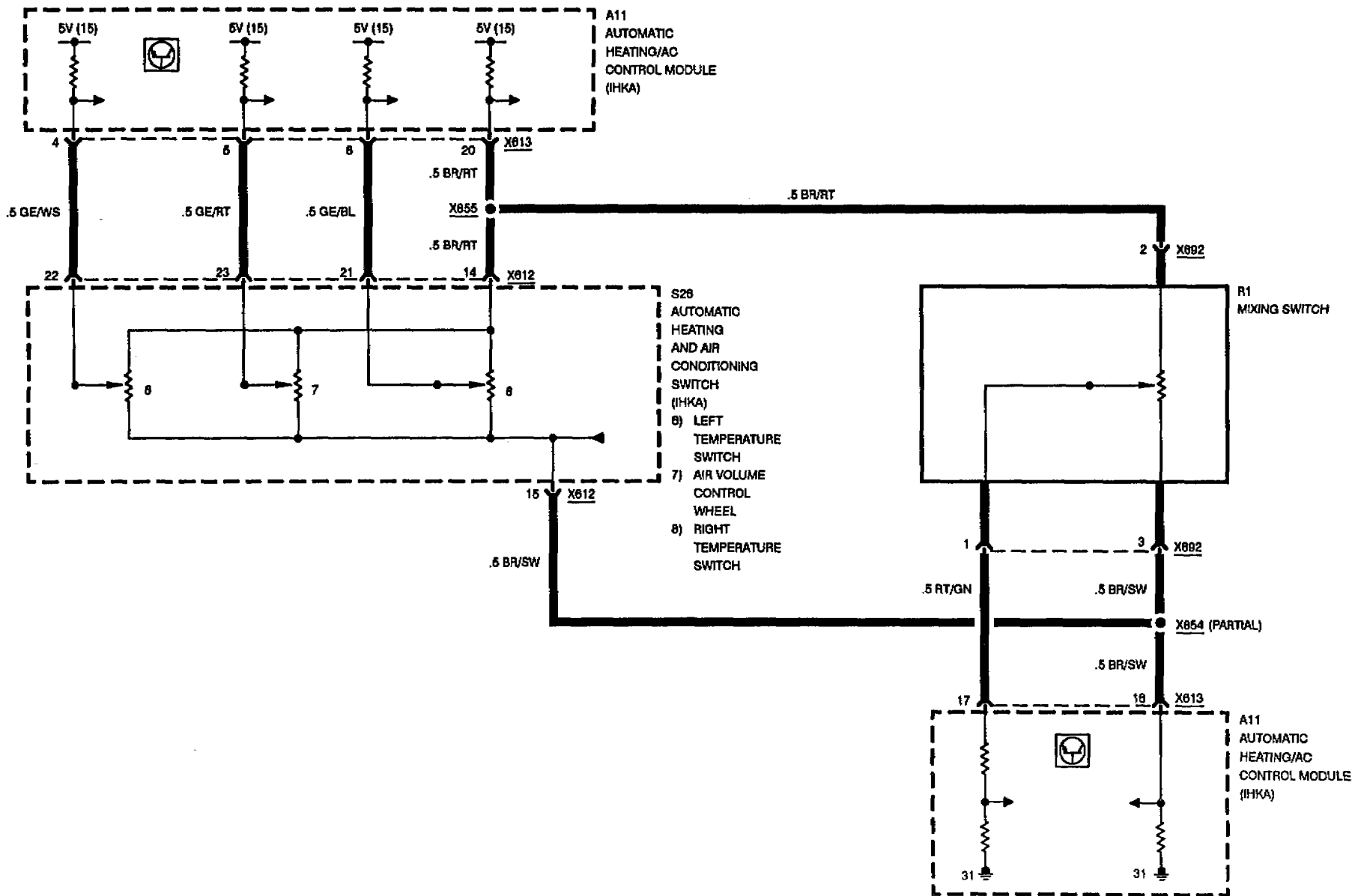


AUTOMATIC HEATING/AC CONTROL (IHKA) TEMPERATURE CONTROLS



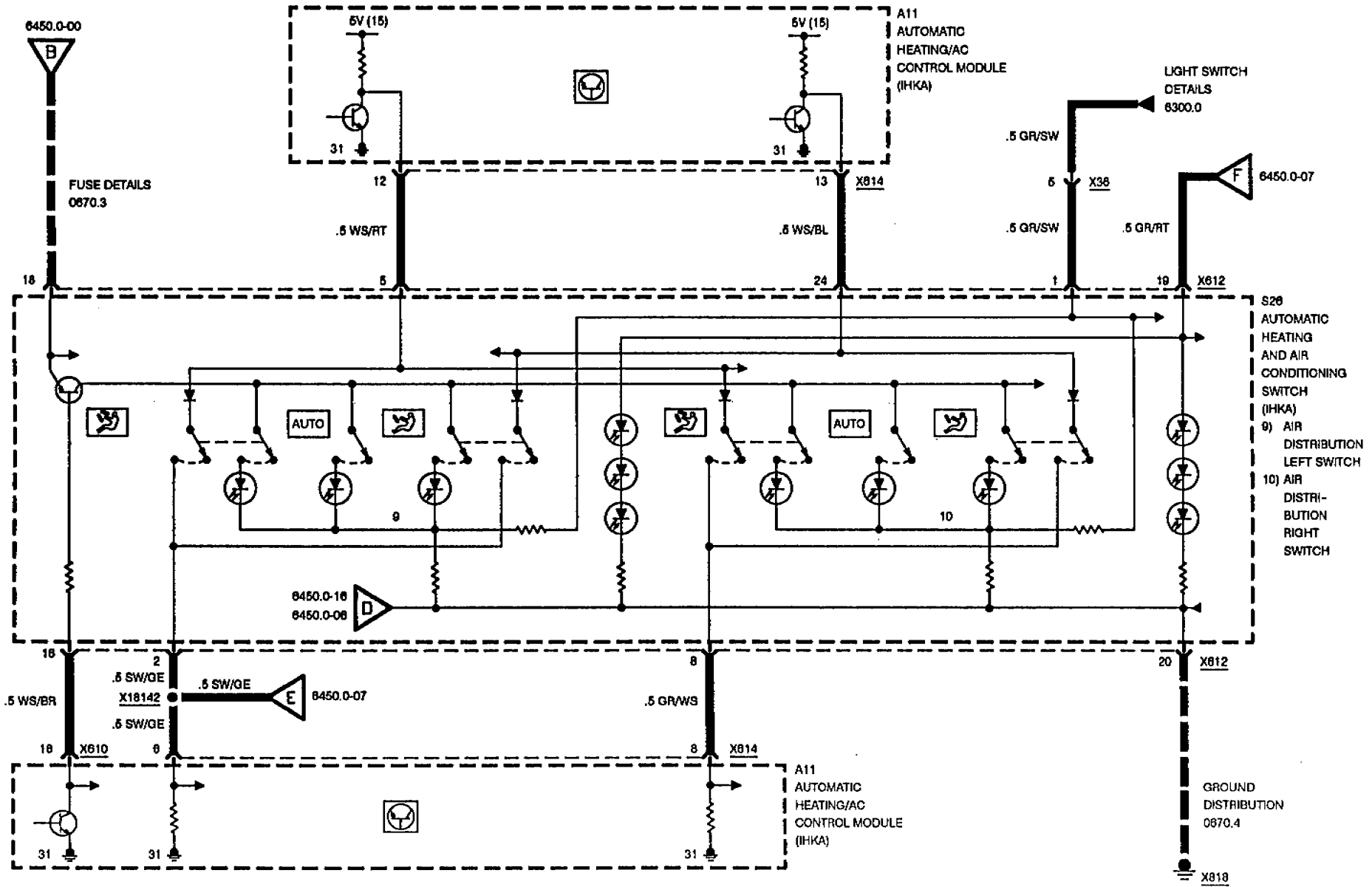


AUTOMATIC HEATING/AC CONTROL (IHKA) TEMPERATURE CONTROLS



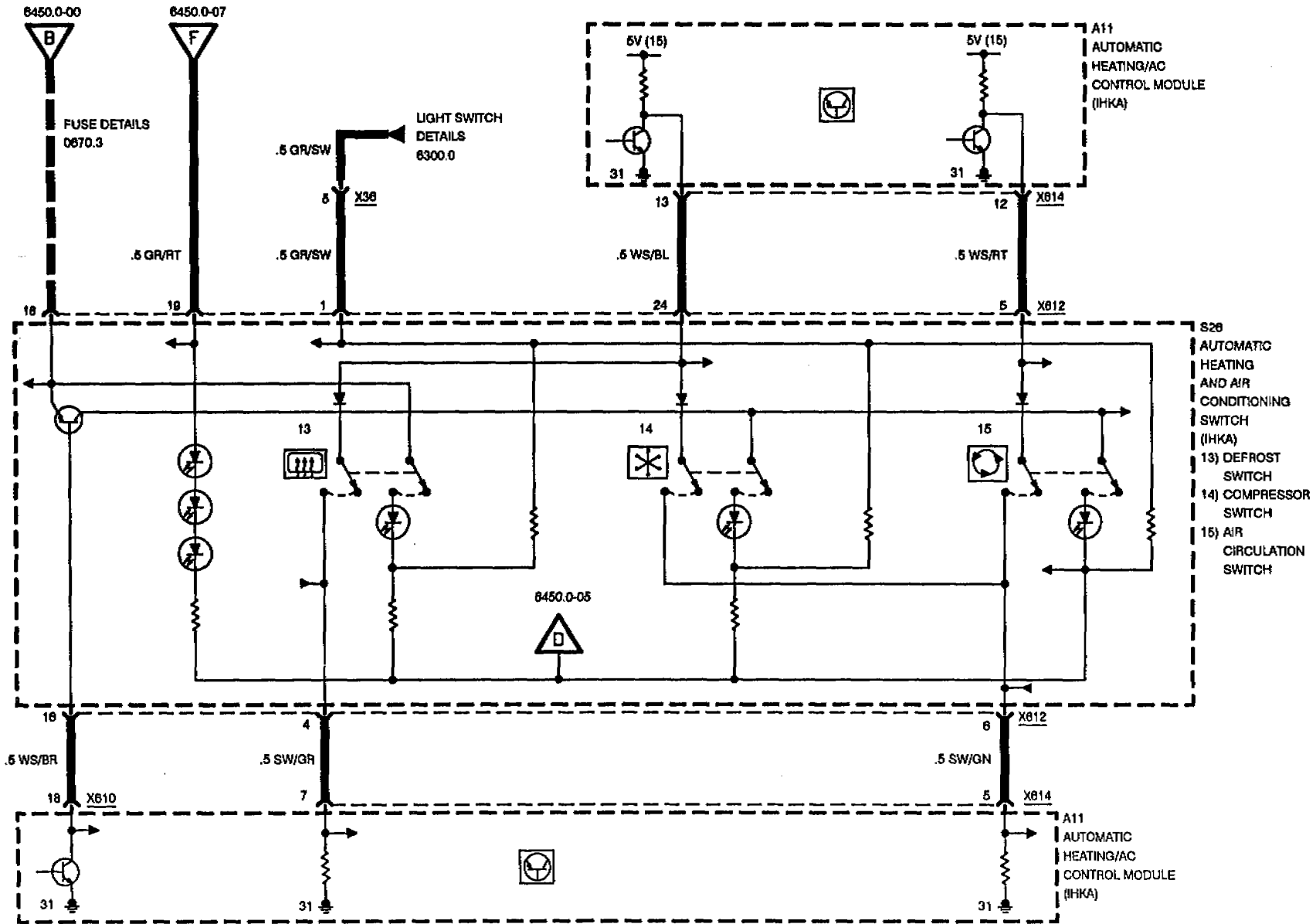


AUTOMATIC HEATING/AC CONTROL (IHKA) AIR DELIVERY



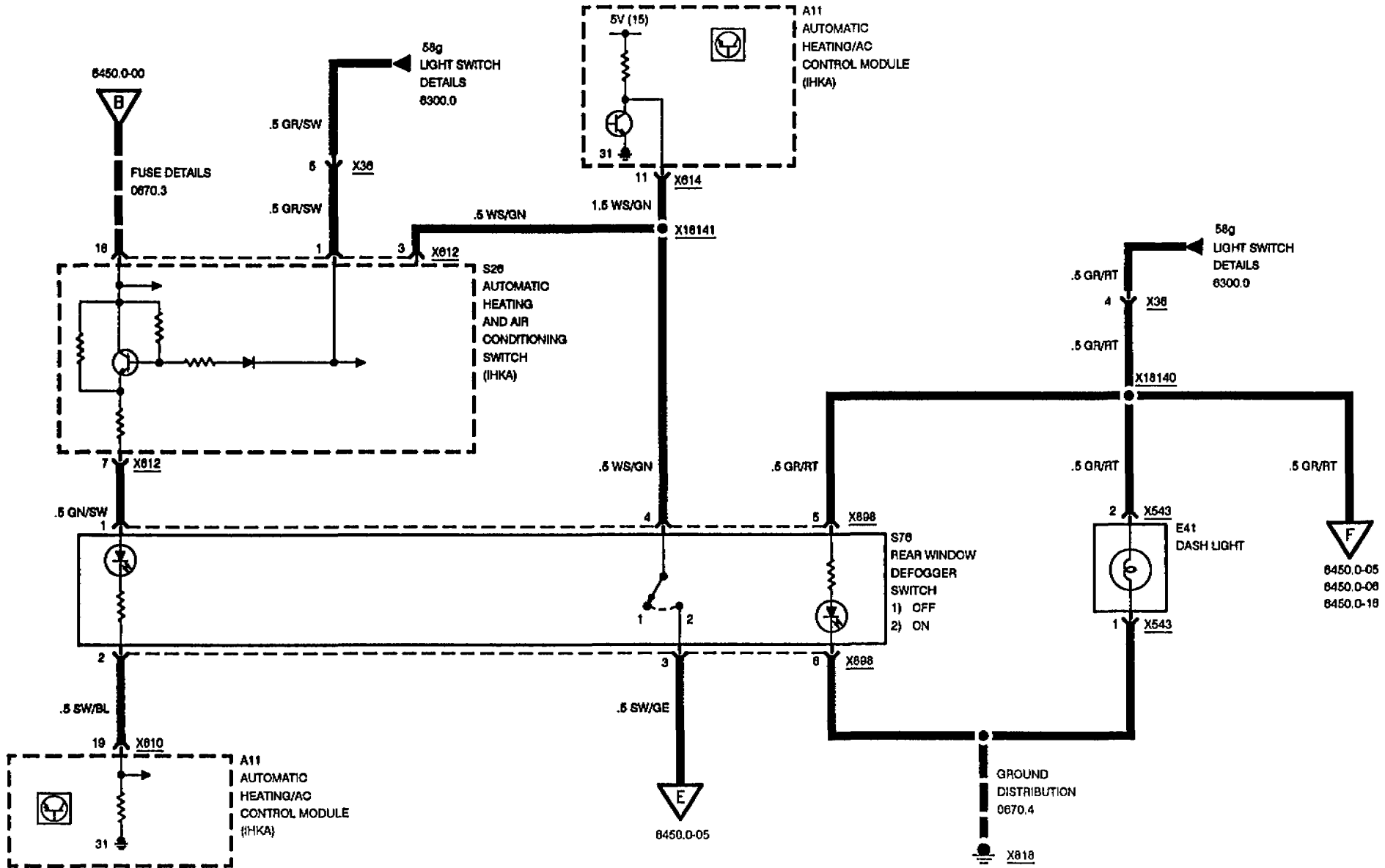


AUTOMATIC HEATING/AC CONTROL (IHKA) AIR DELIVERY





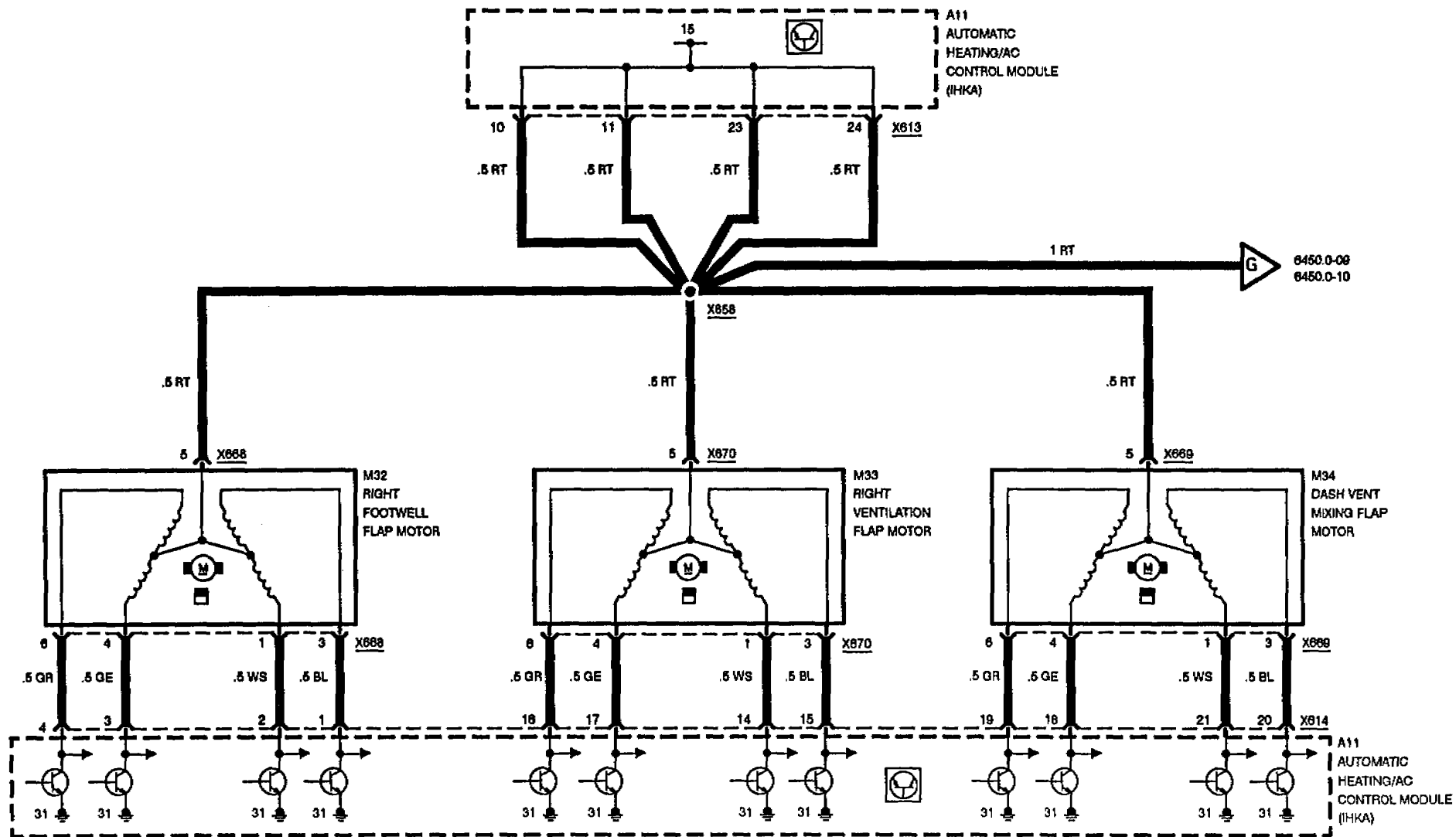
AUTOMATIC HEATING/AC CONTROL (IHKA) AIR DELIVERY





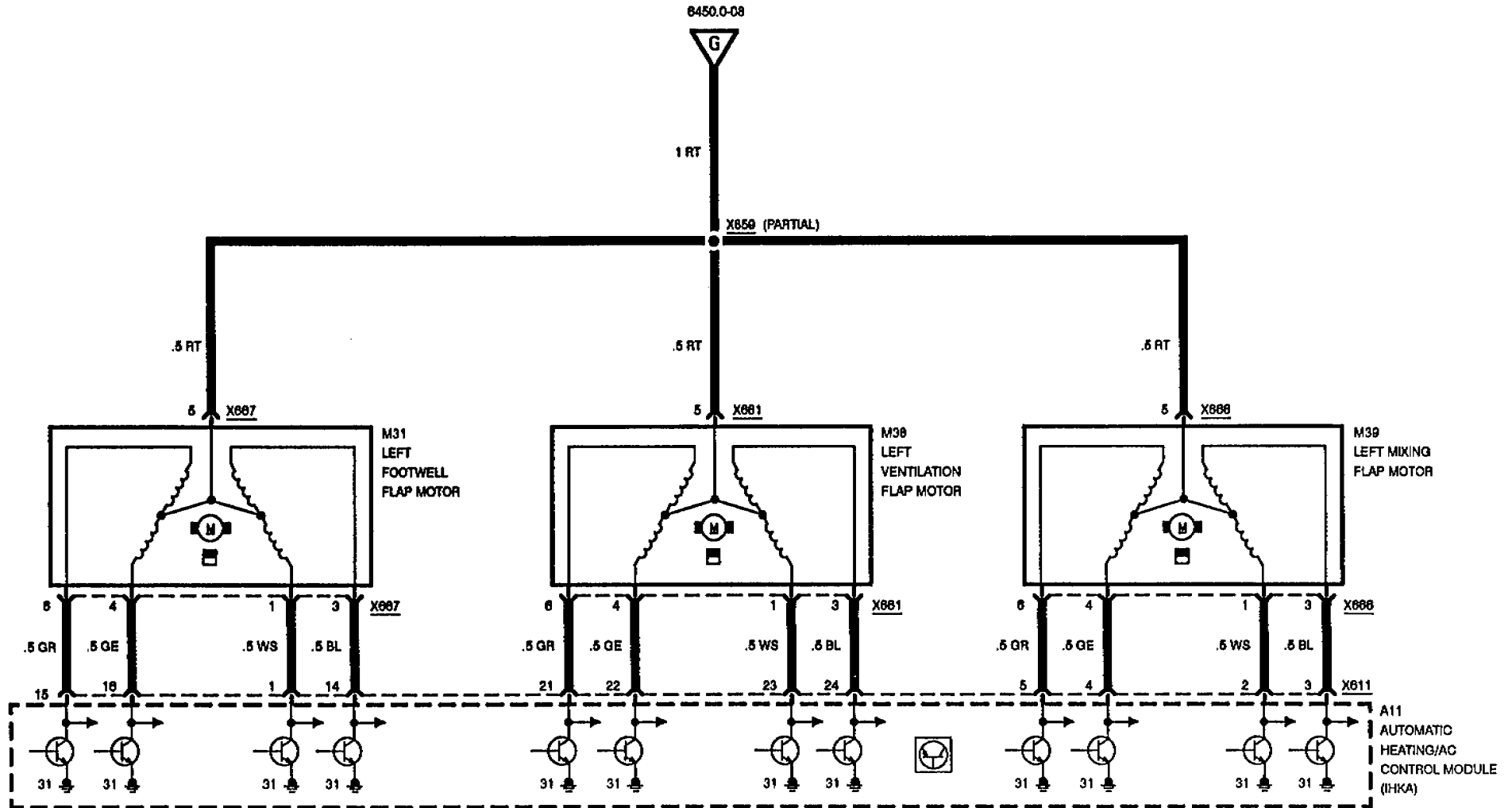
AUTOMATIC HEATING/AC CONTROL (IHKA)

AIR DELIVERY





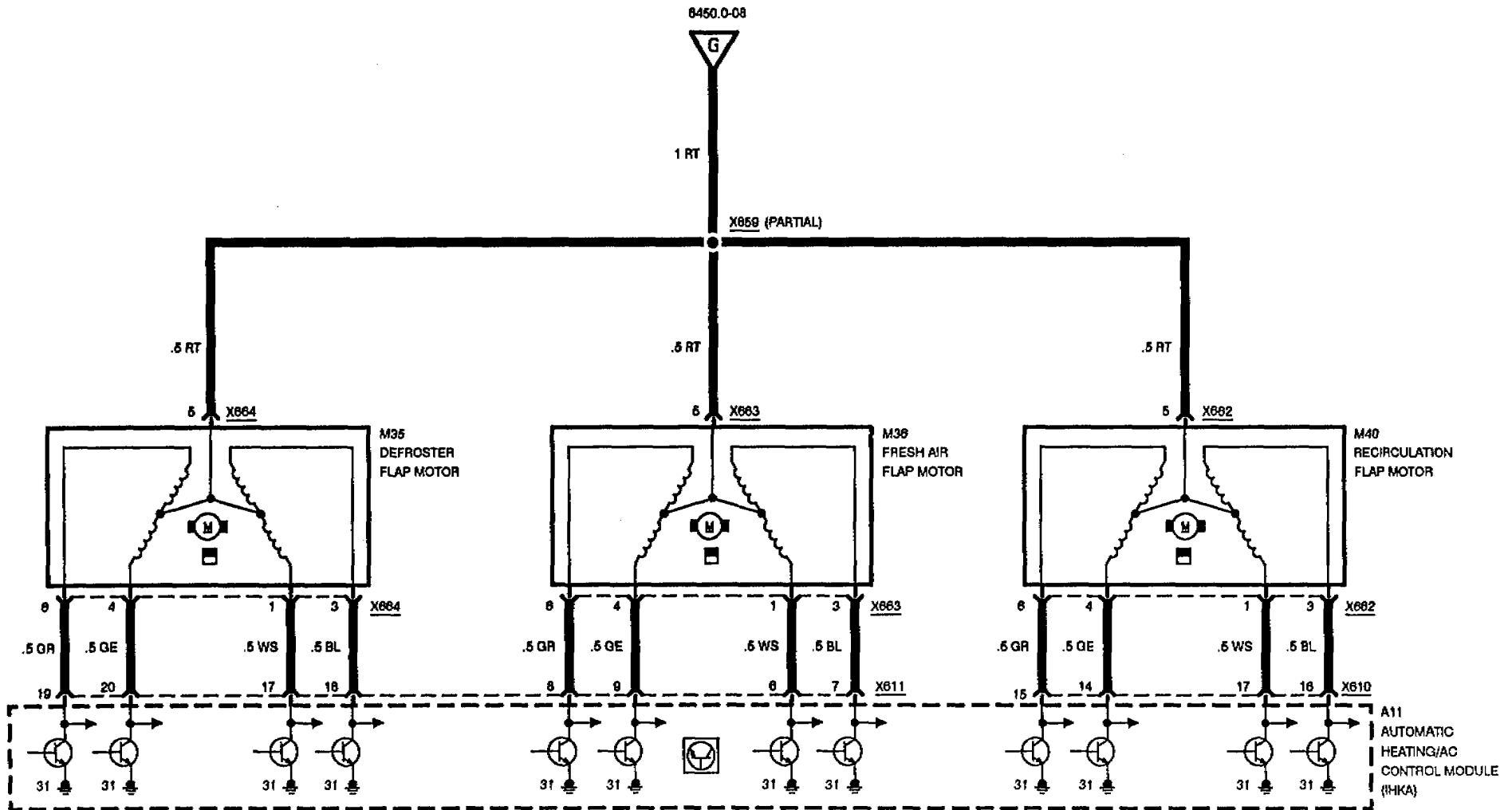
AUTOMATIC HEATING/AC CONTROL (IHKA) AIR DELIVERY





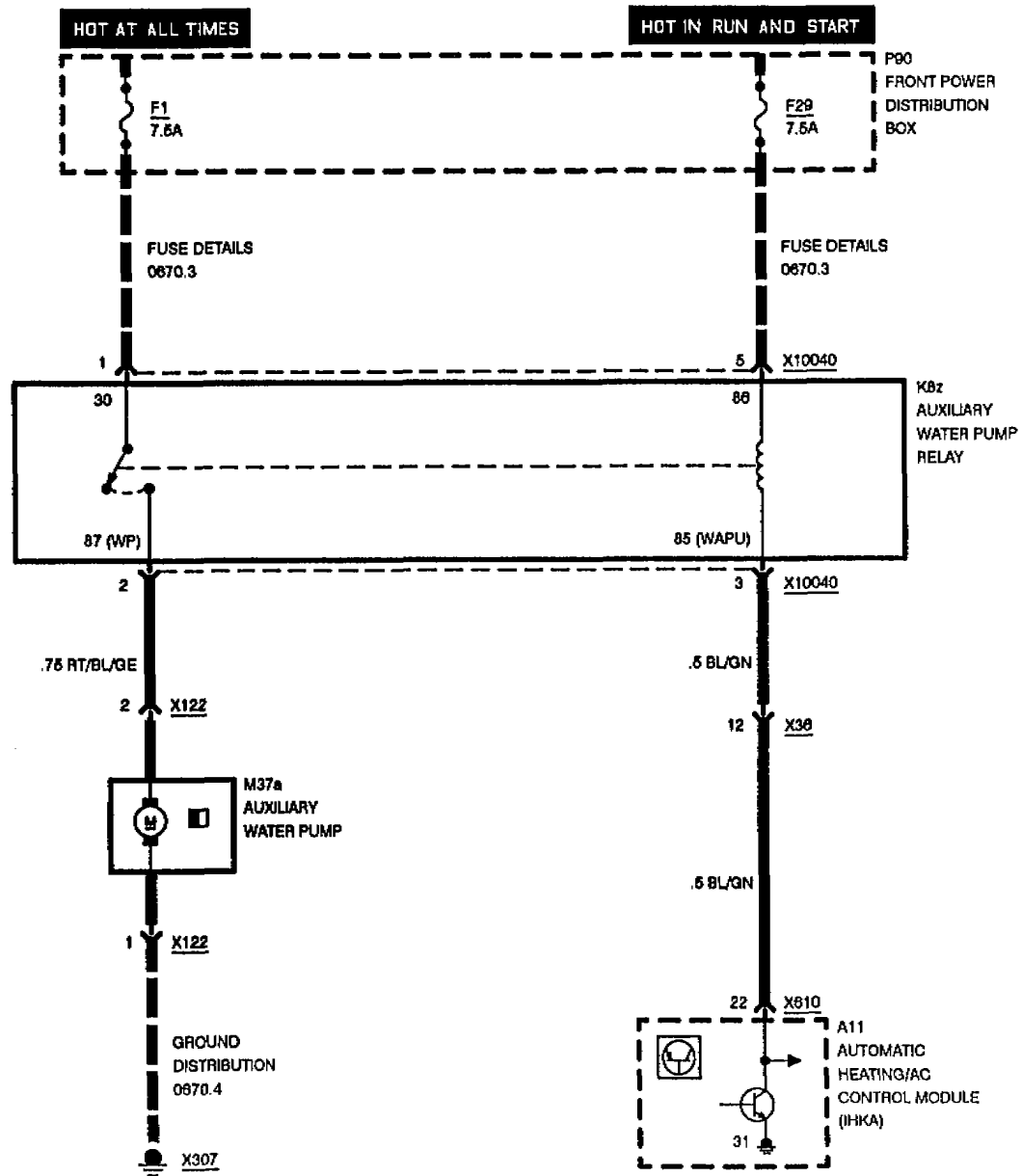
AUTOMATIC HEATING/AC CONTROL (IHKA)

AIR DELIVERY



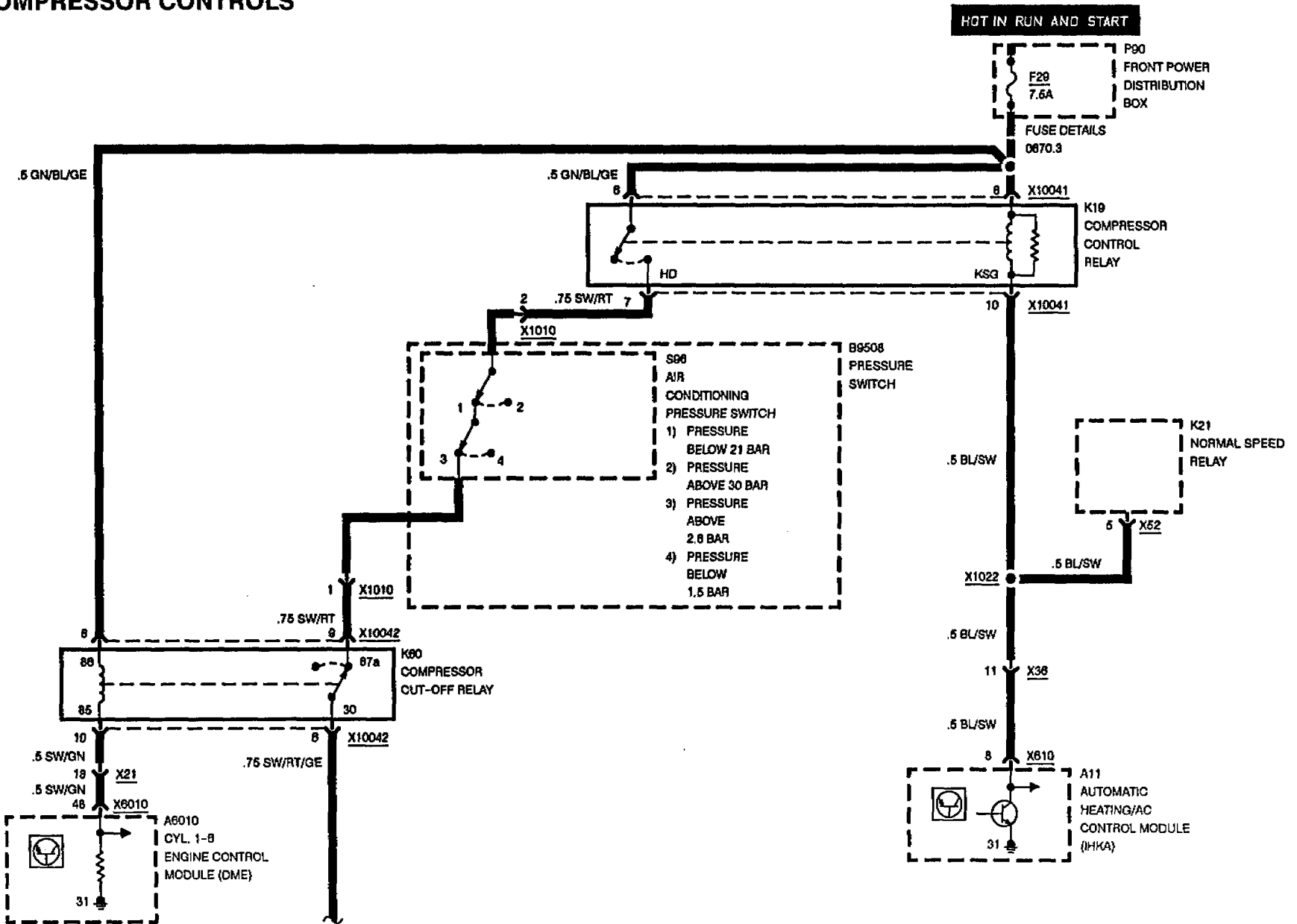


AUTOMATIC HEATING/AC CONTROL (IHKA) AUXILIARY WATER PUMP





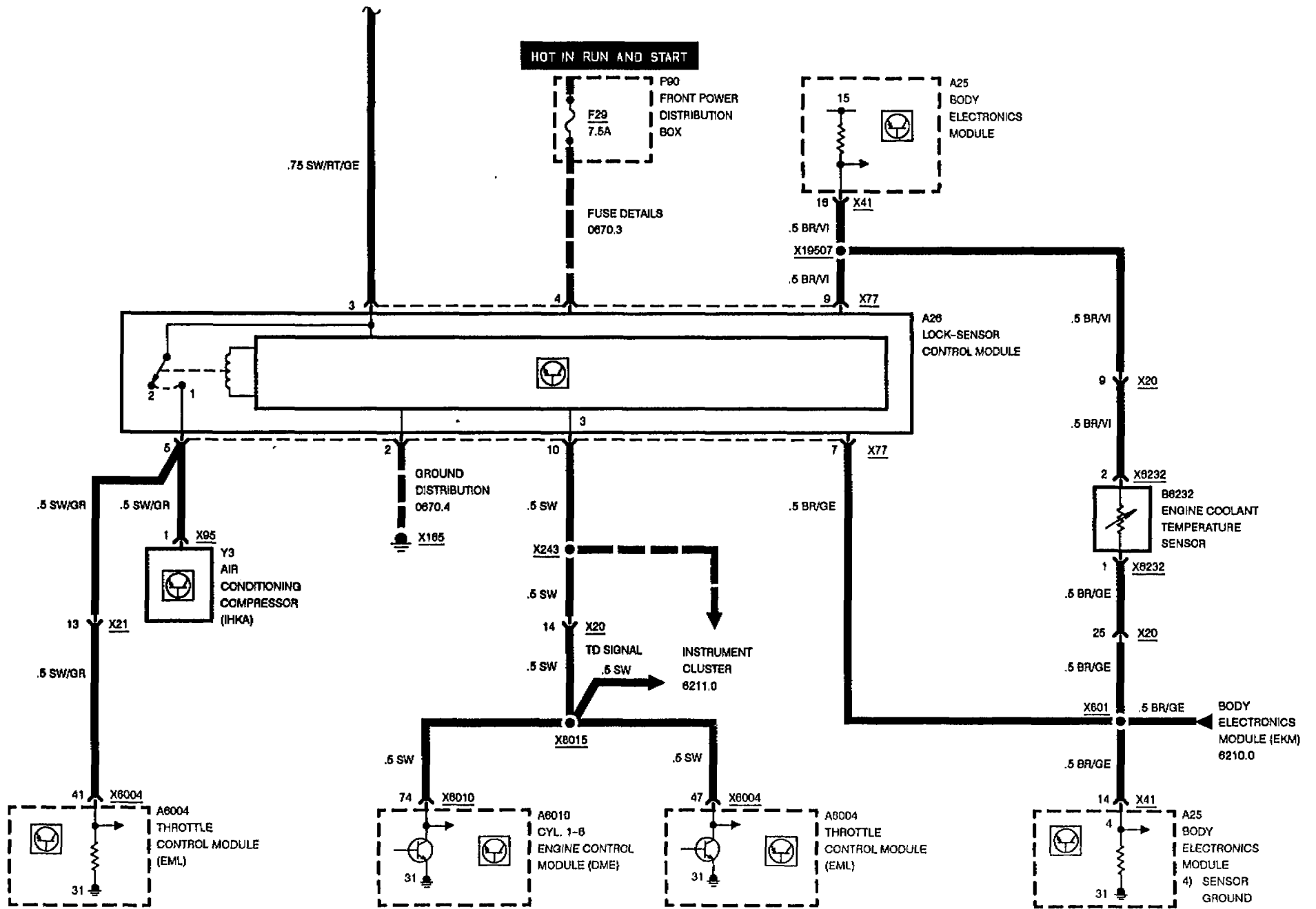
AUTOMATIC HEATING/AC CONTROL (IHKA) COMPRESSOR CONTROLS



09/93

6450.0-12

1994

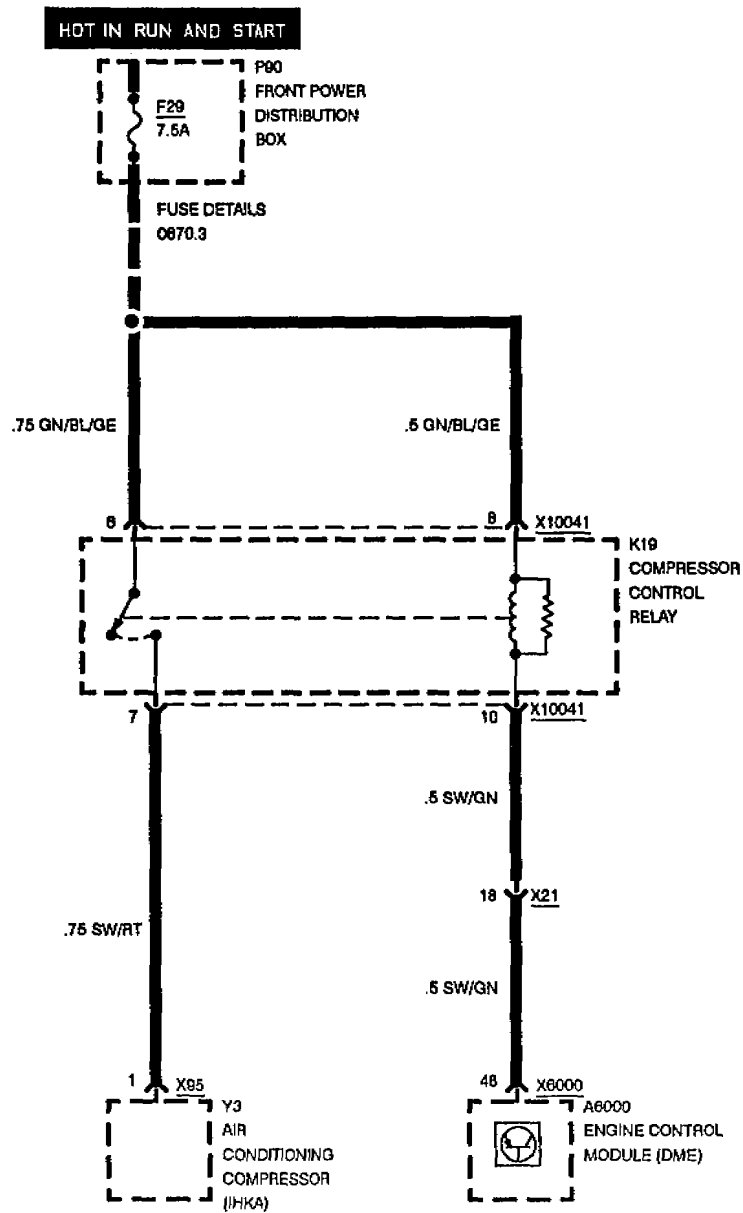
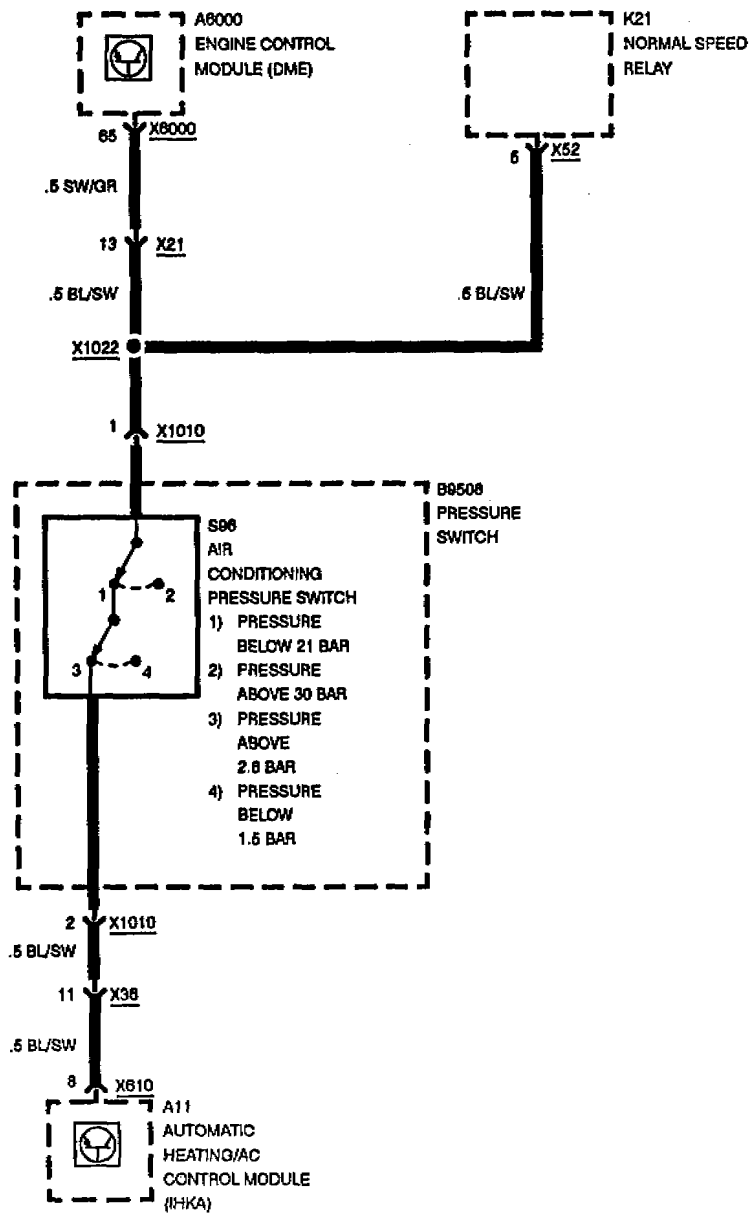




AUTOMATIC HEATING/AC CONTROL (IHKA)

840Ci

COMPRESSOR CONTROLS



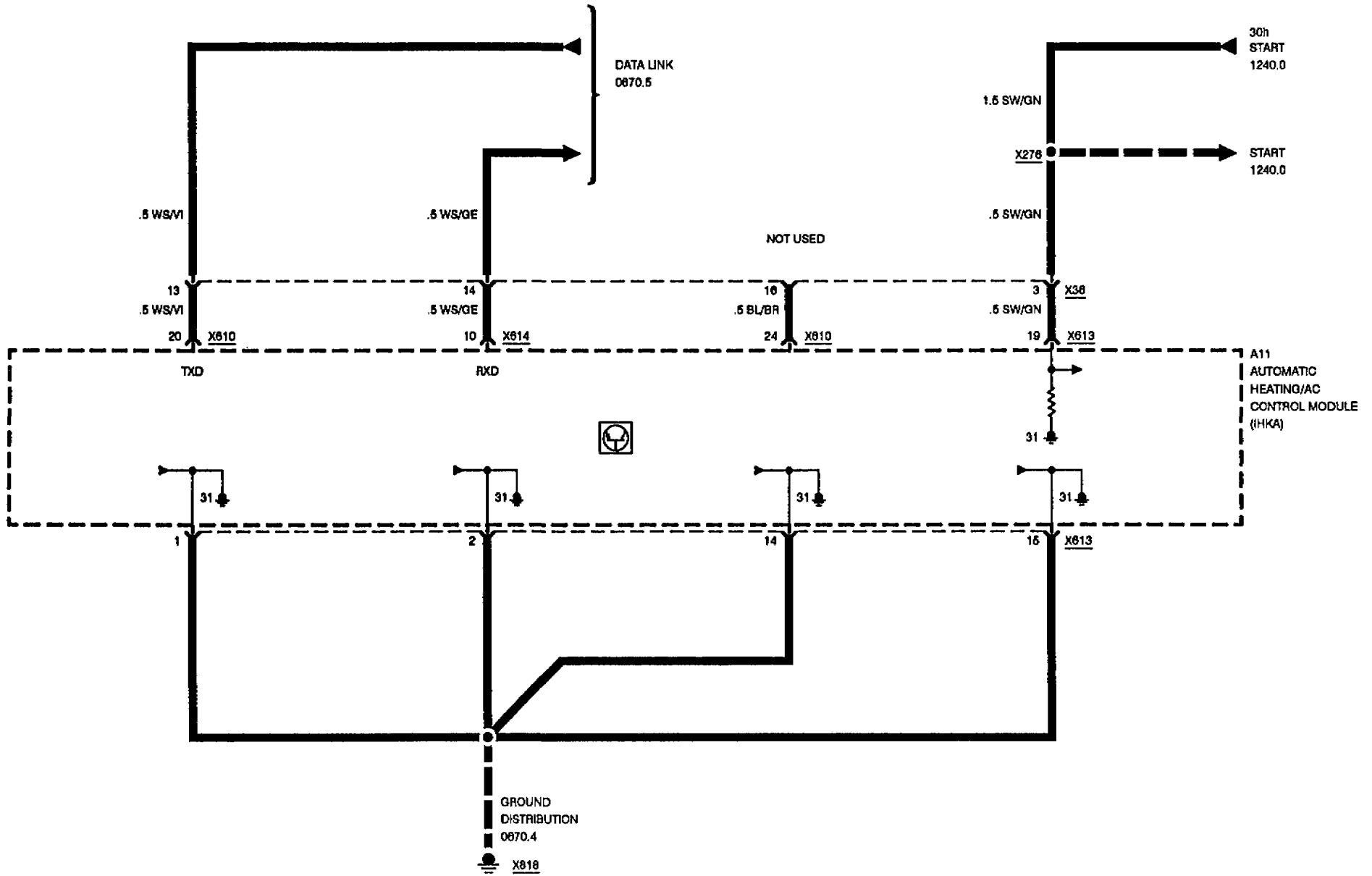
12/94

6450.0-14

1994



AUTOMATIC HEATING/AC CONTROL (IHKA) DATA LINK AND STARTER INPUT

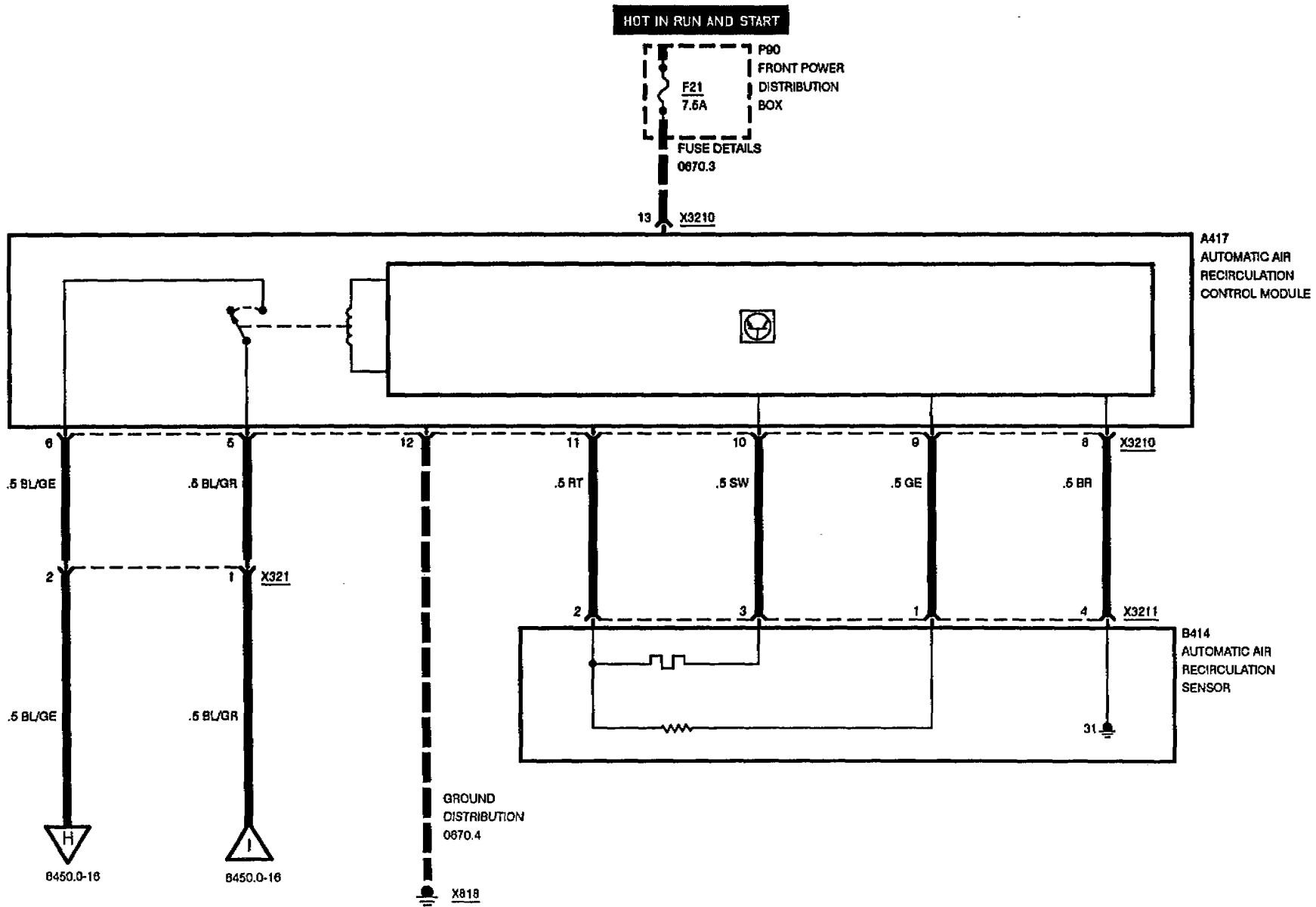




AUTOMATIC HEATING/AC CONTROL (IHKA)

AUC

CDN

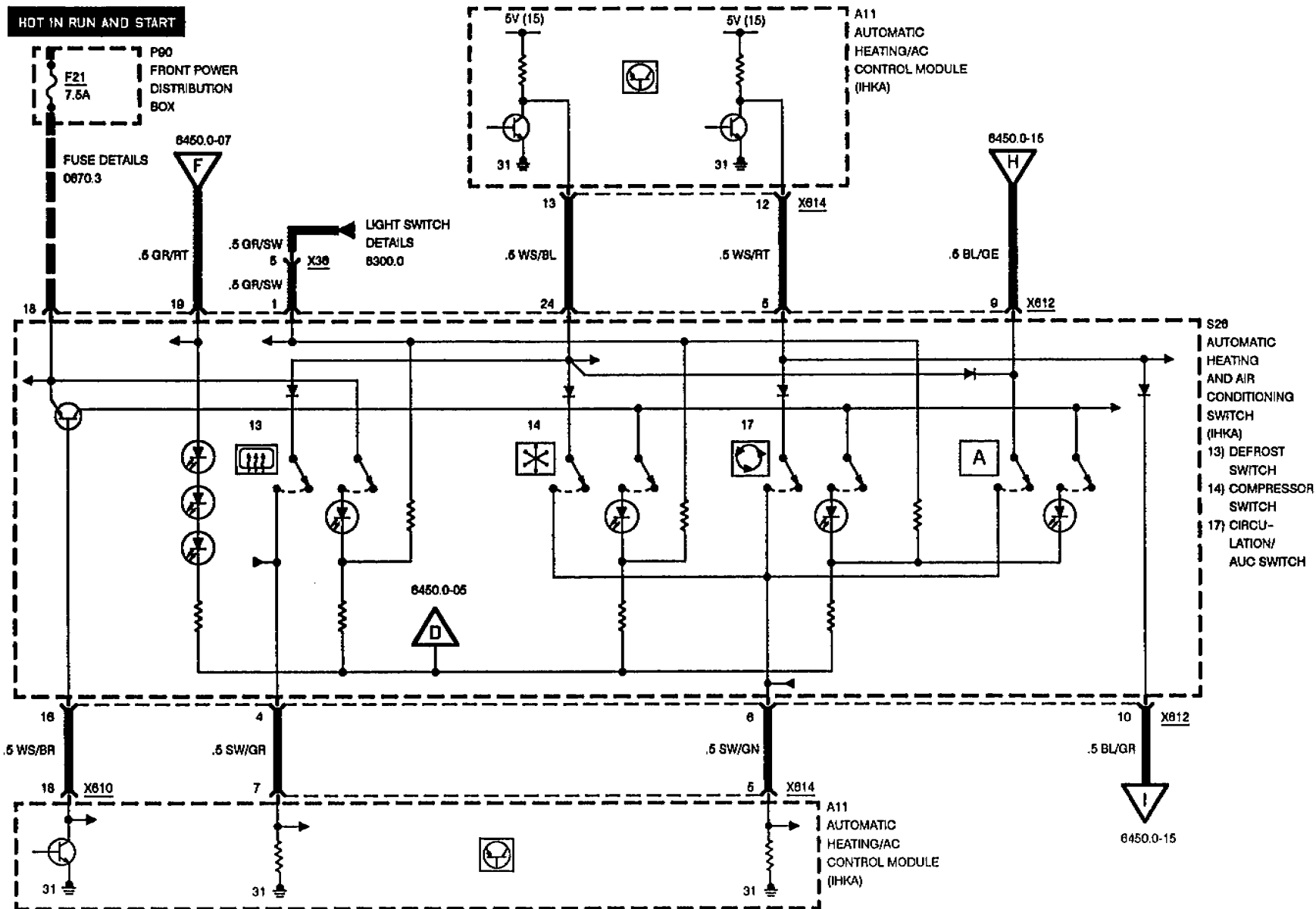




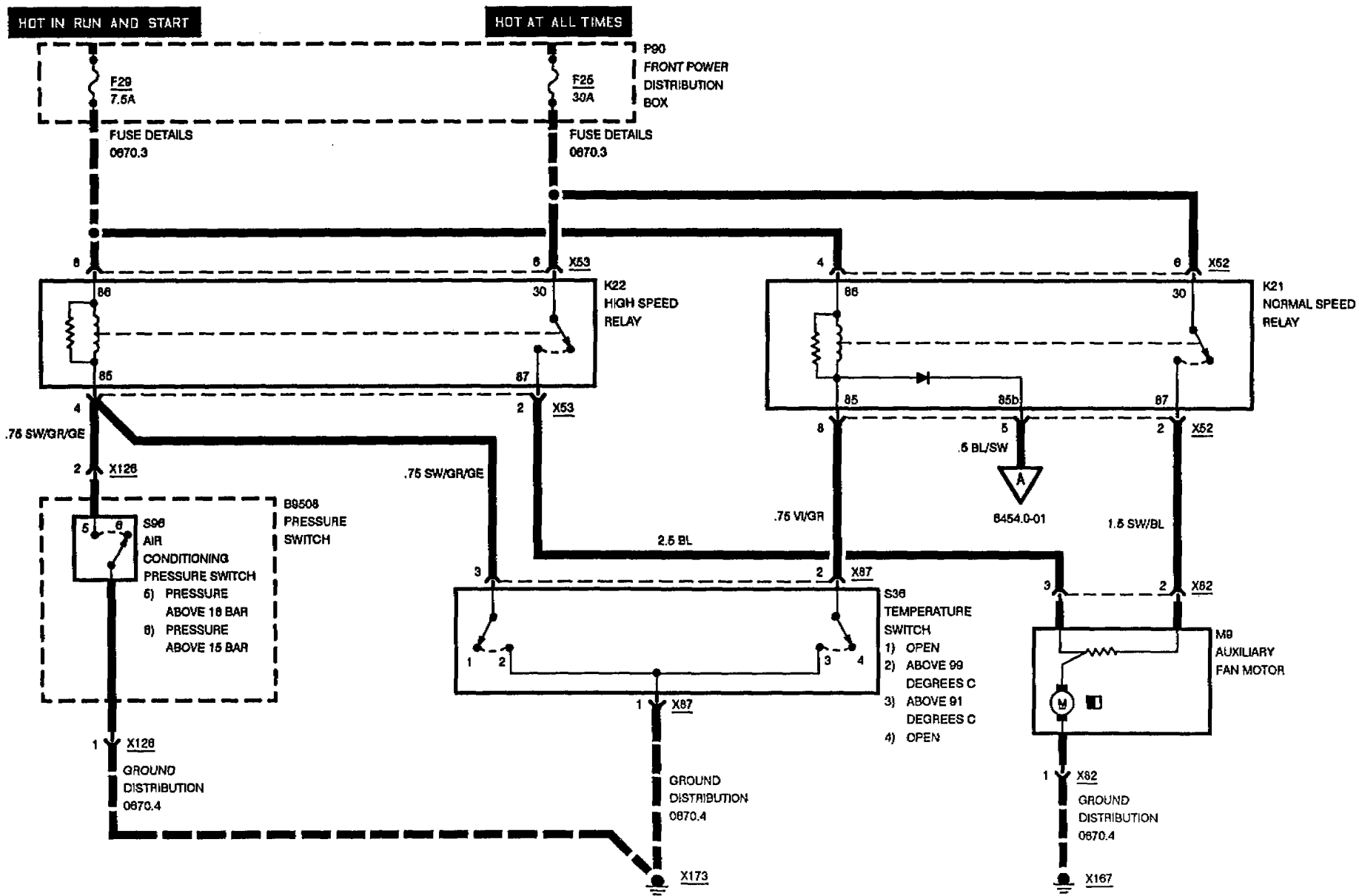
AUTOMATIC HEATING/AC CONTROL (IHKA)



AUC

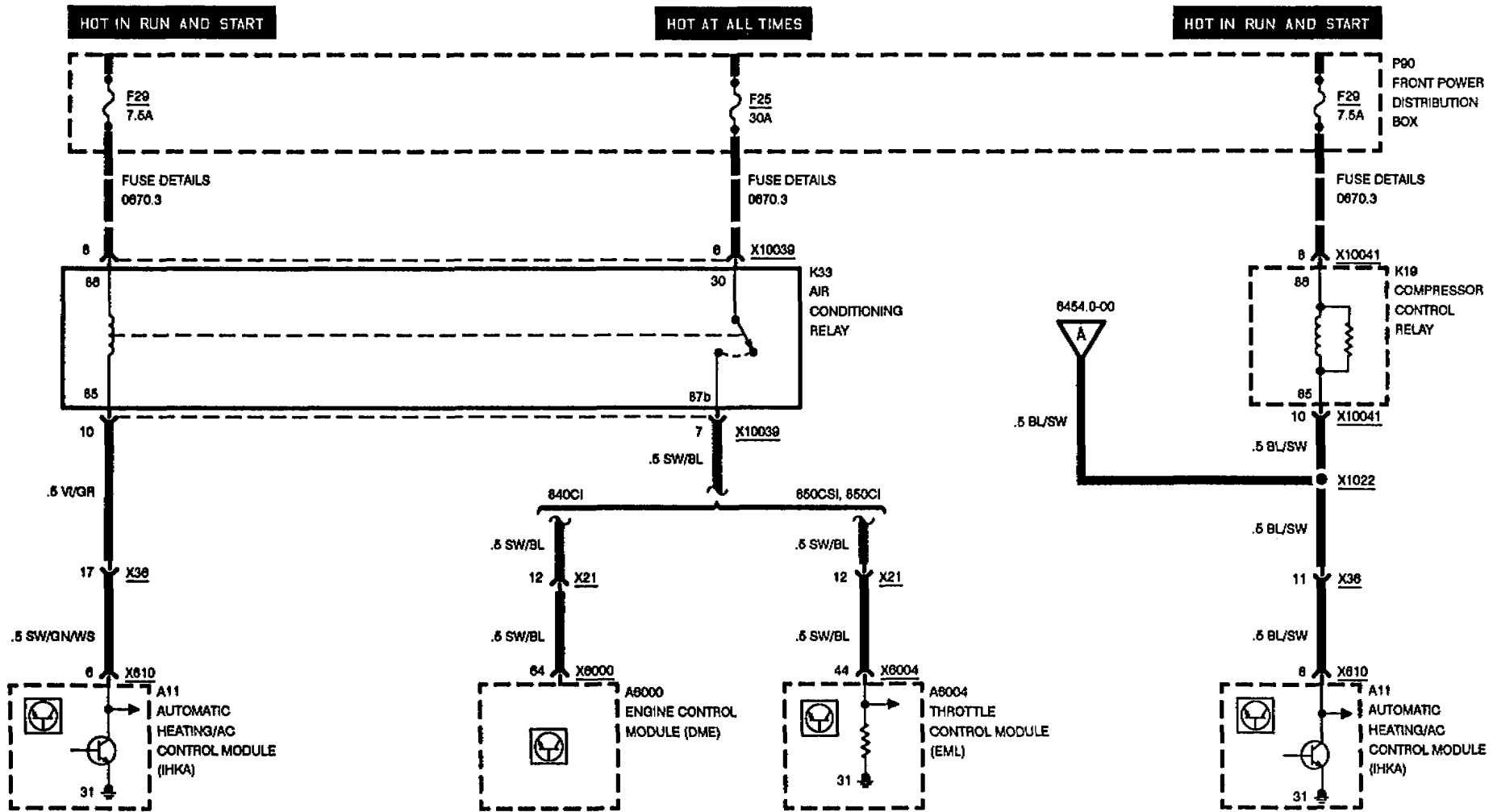


AUXILIARY FAN





AUXILIARY FAN





6454.0-02

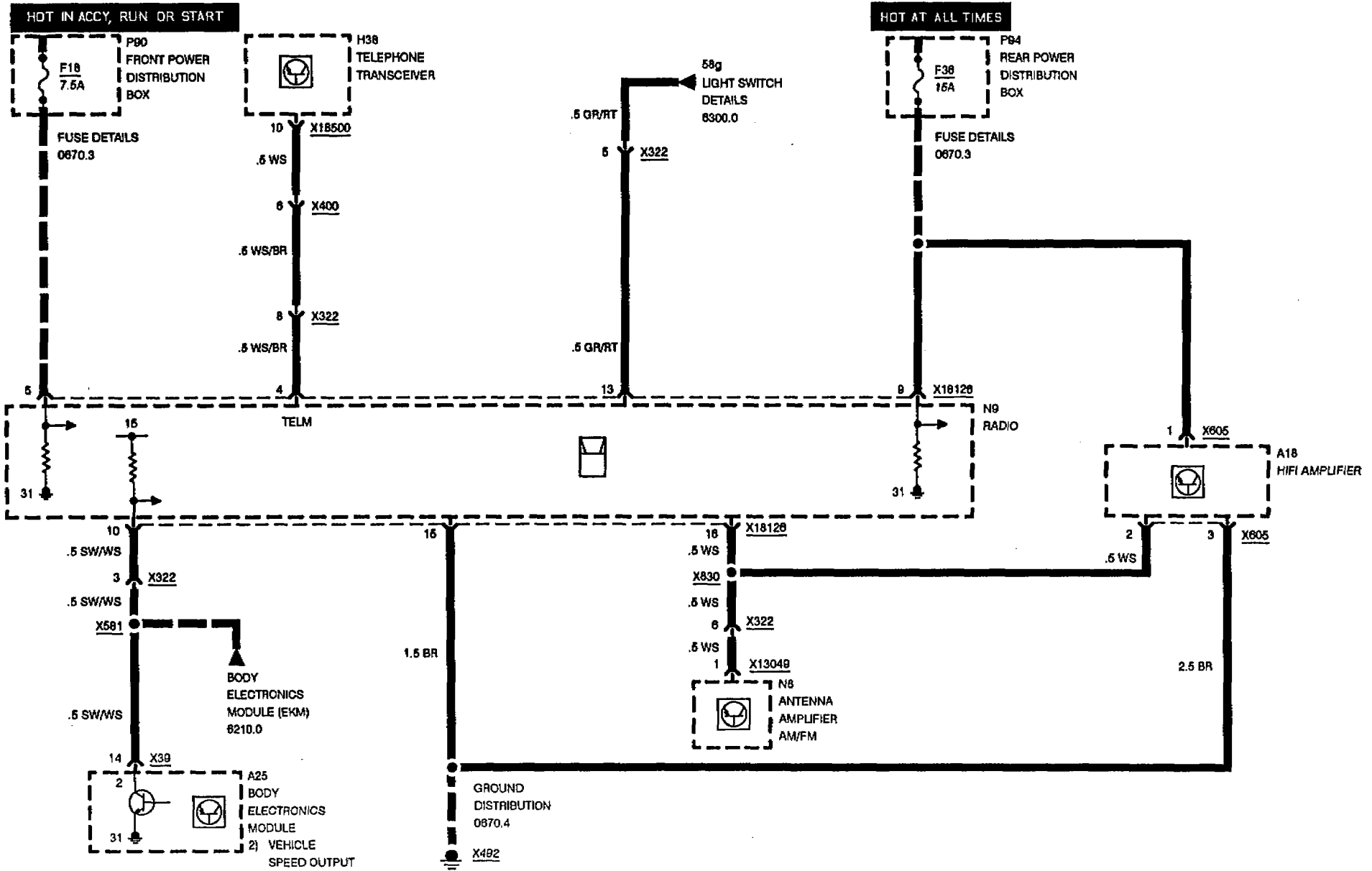
BMW
8

6510.1



RADIO/HIFI

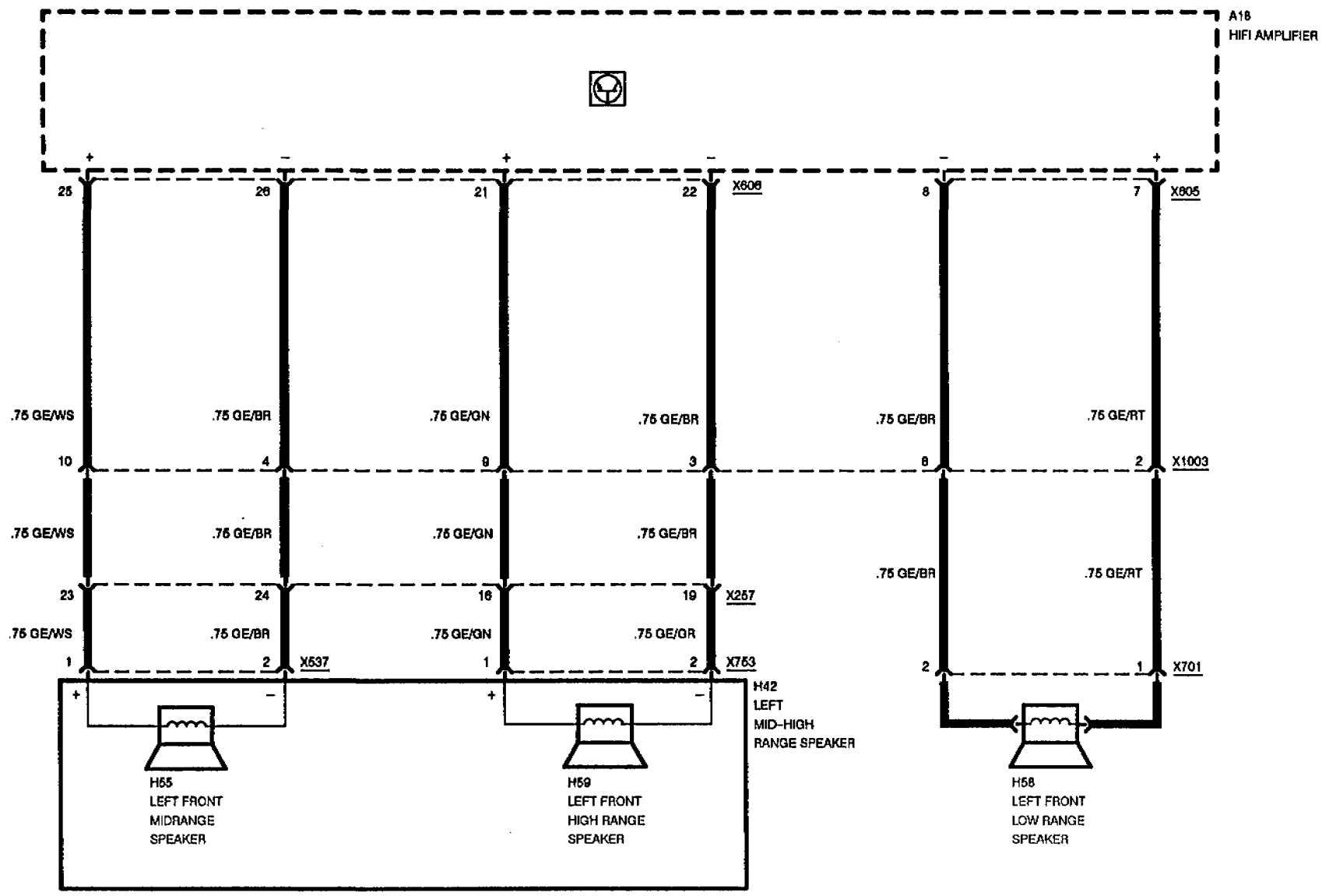
HIFI, 10-SPEAKER SYSTEM





RADIO/HIFI

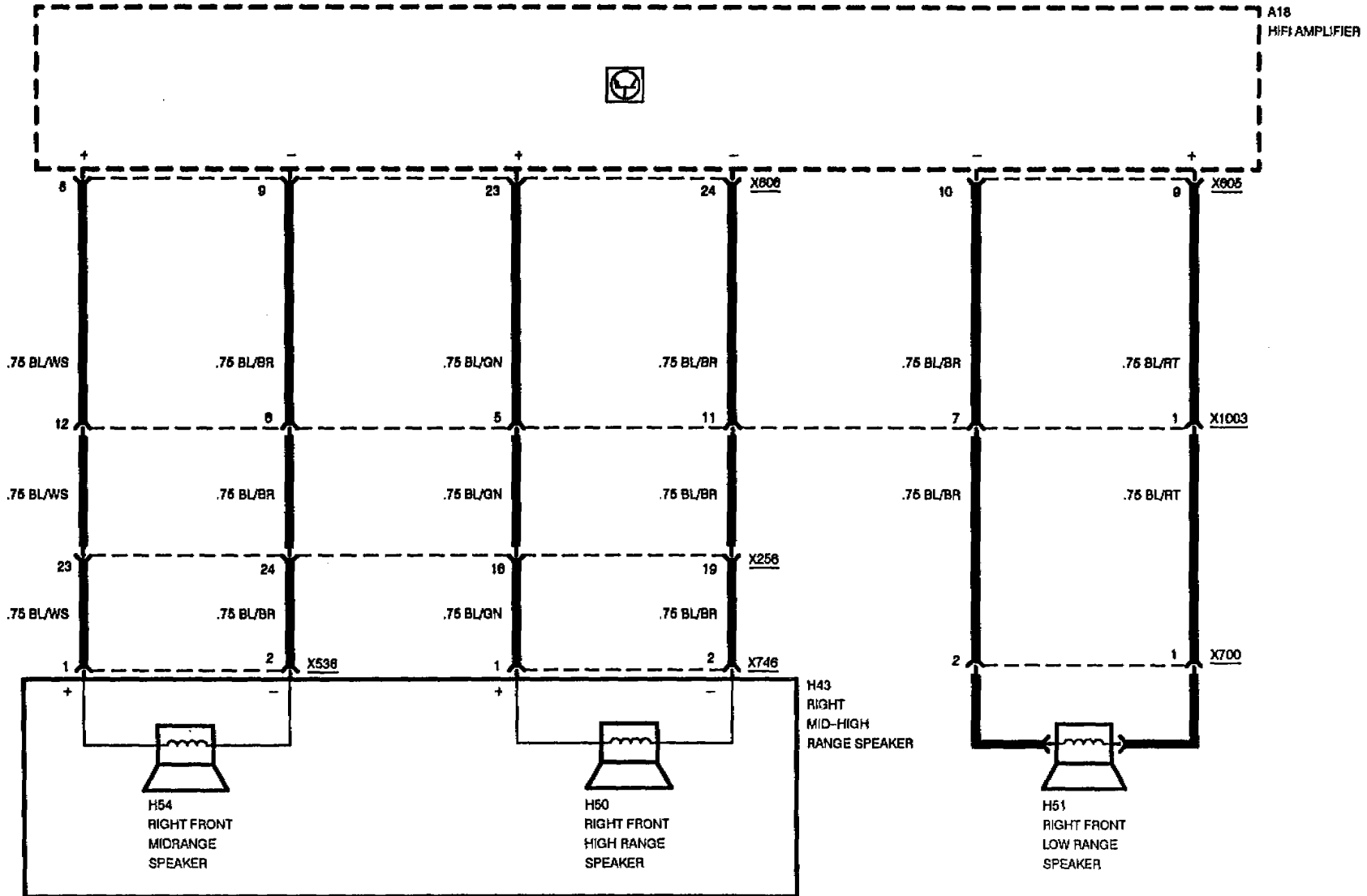
HIFI, 10-SPEAKER SYSTEM





RADIO/HIFI

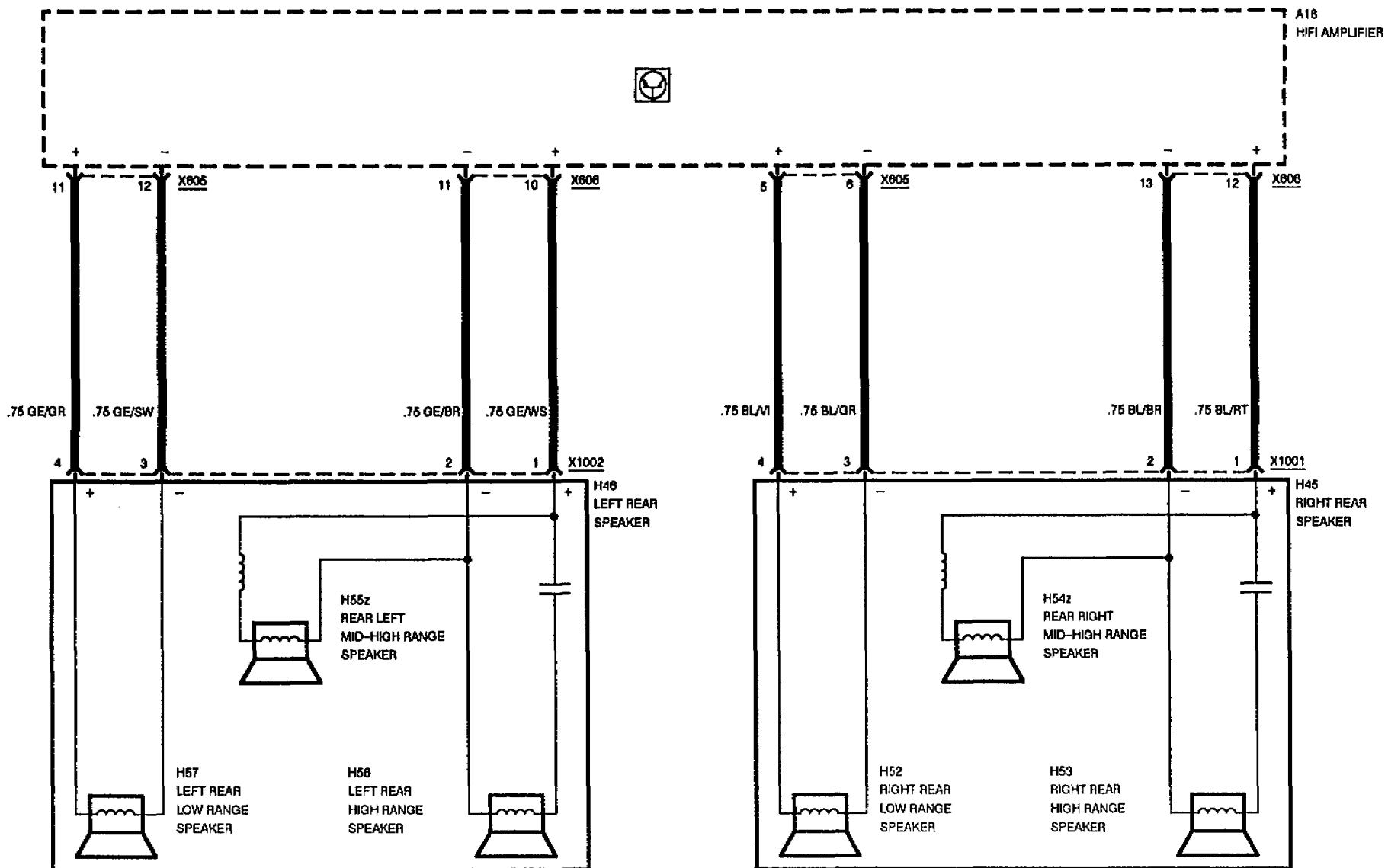
HIFI, 10-SPEAKER SYSTEM





RADIO/HIFI

HIFI, 10-SPEAKER SYSTEM

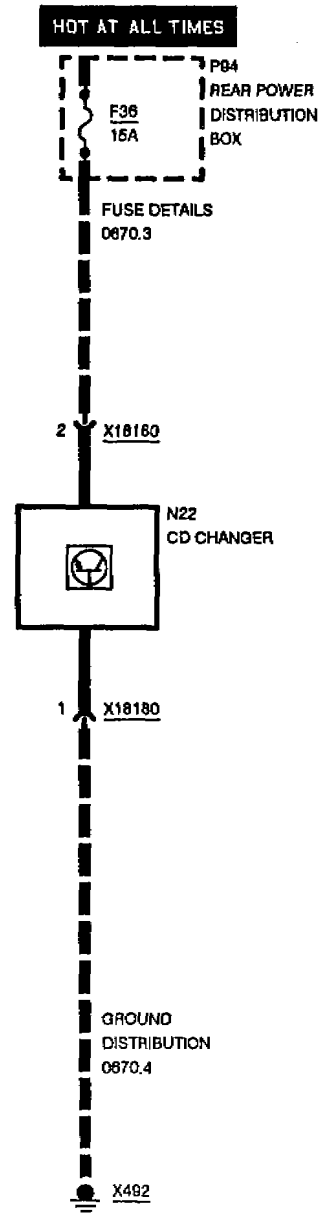
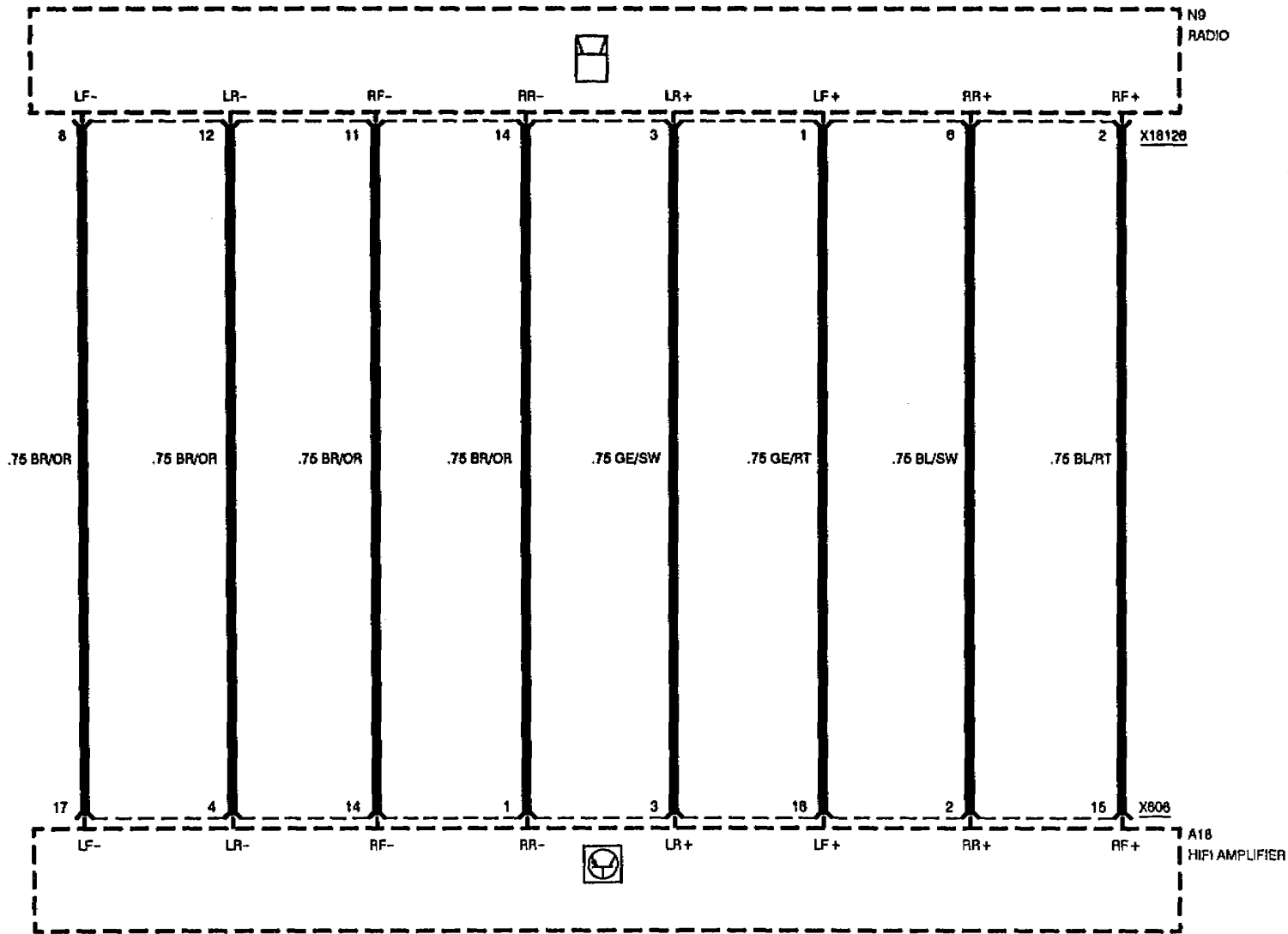


09/93
6510.1-03
1994



RADIO/HIFI

HIFI, 10-SPEAKER SYSTEM (ONE COMPONENT)



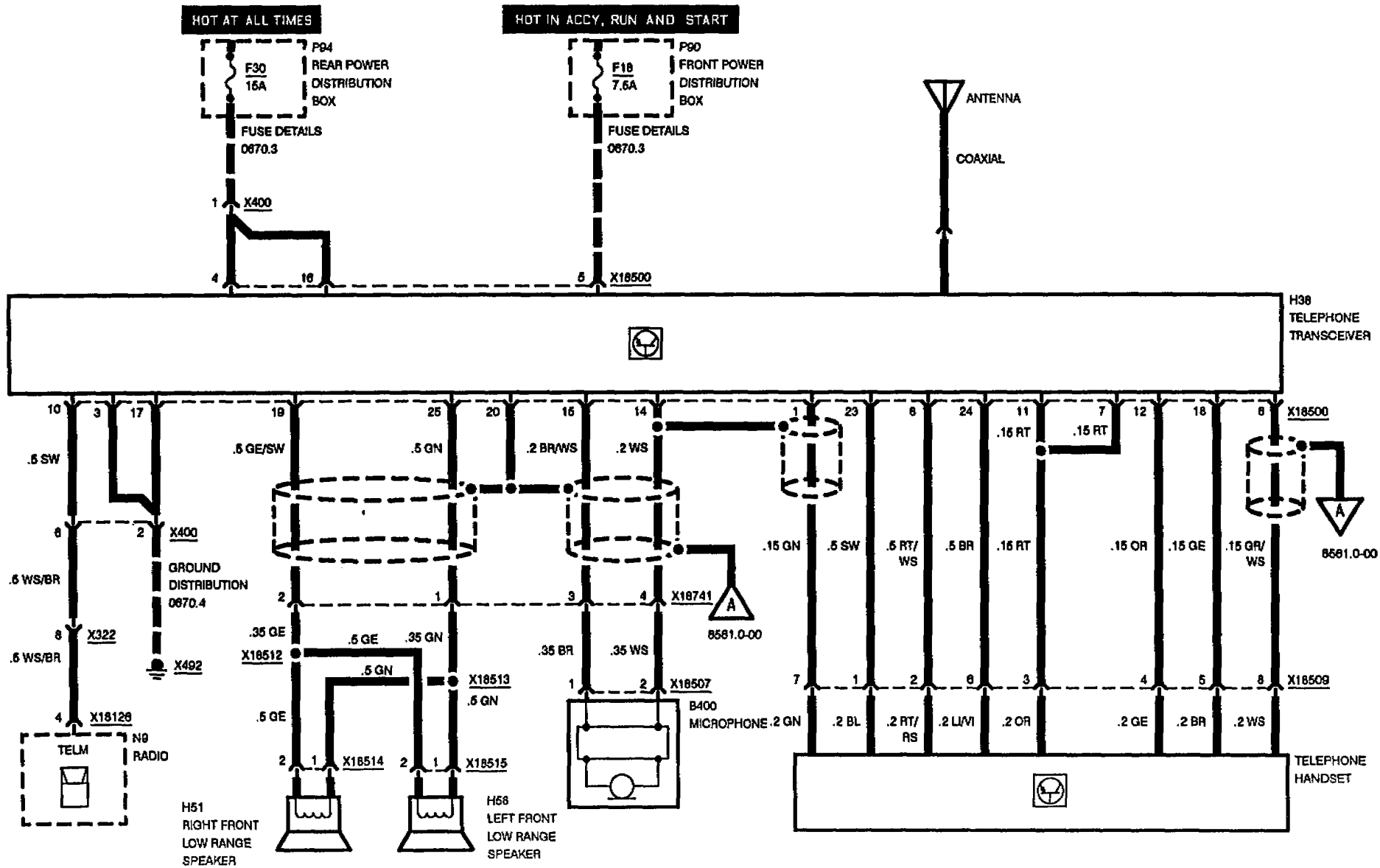
BMW
8

6561.0



CELLULAR TELEPHONE (PROVISIONS)

AMPS SYSTEM

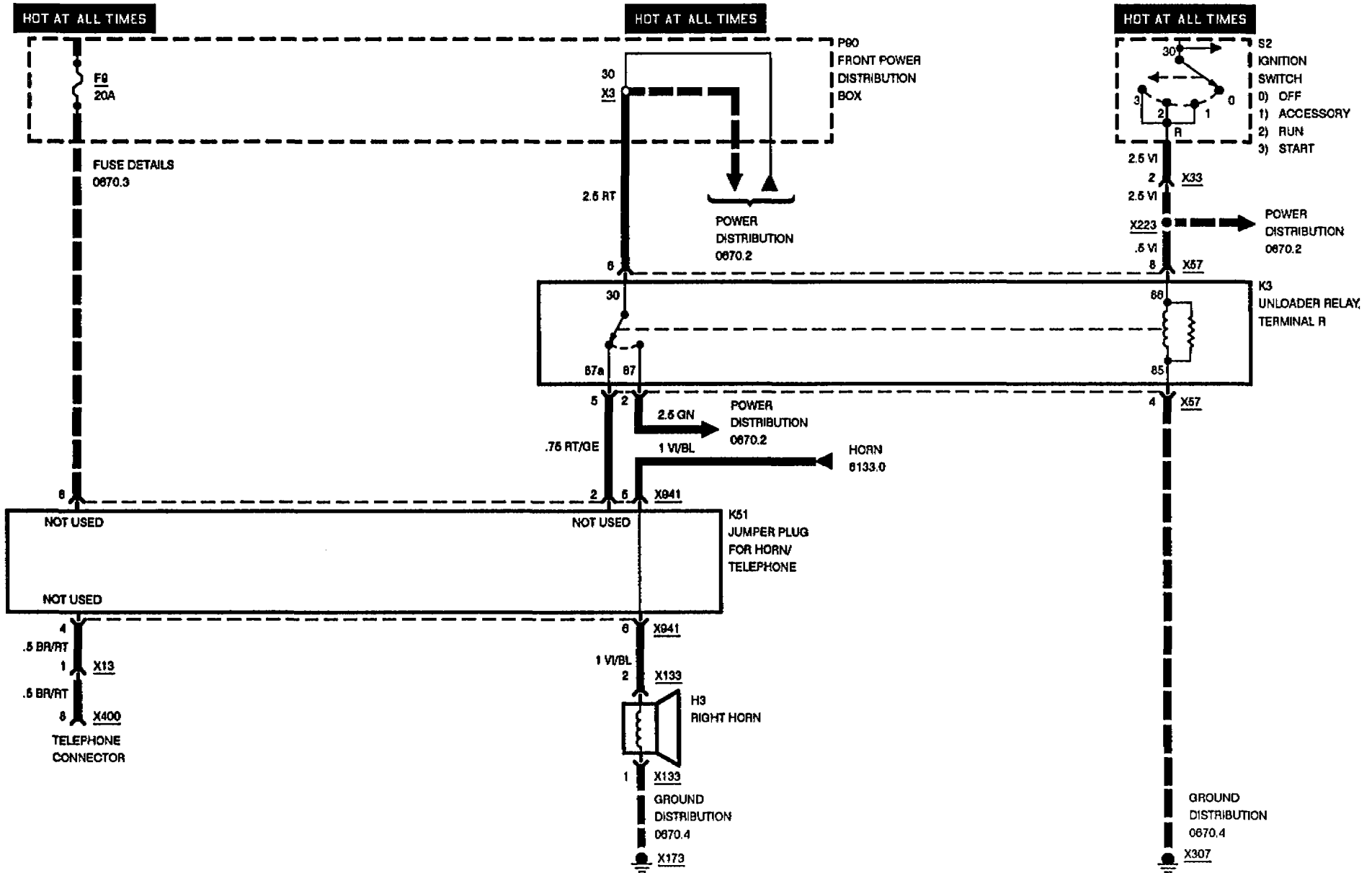


09/93

6561.0-00

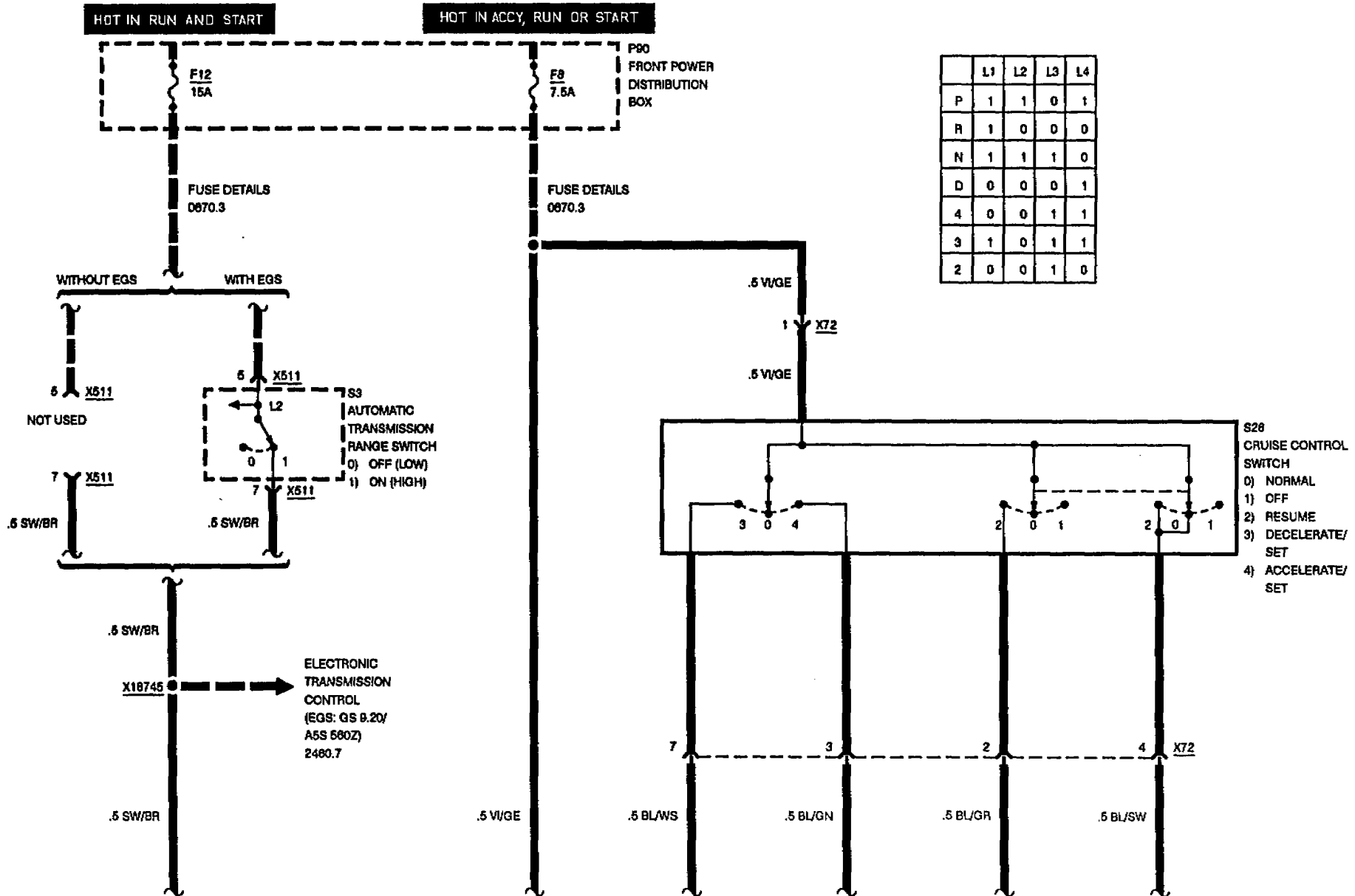
1994

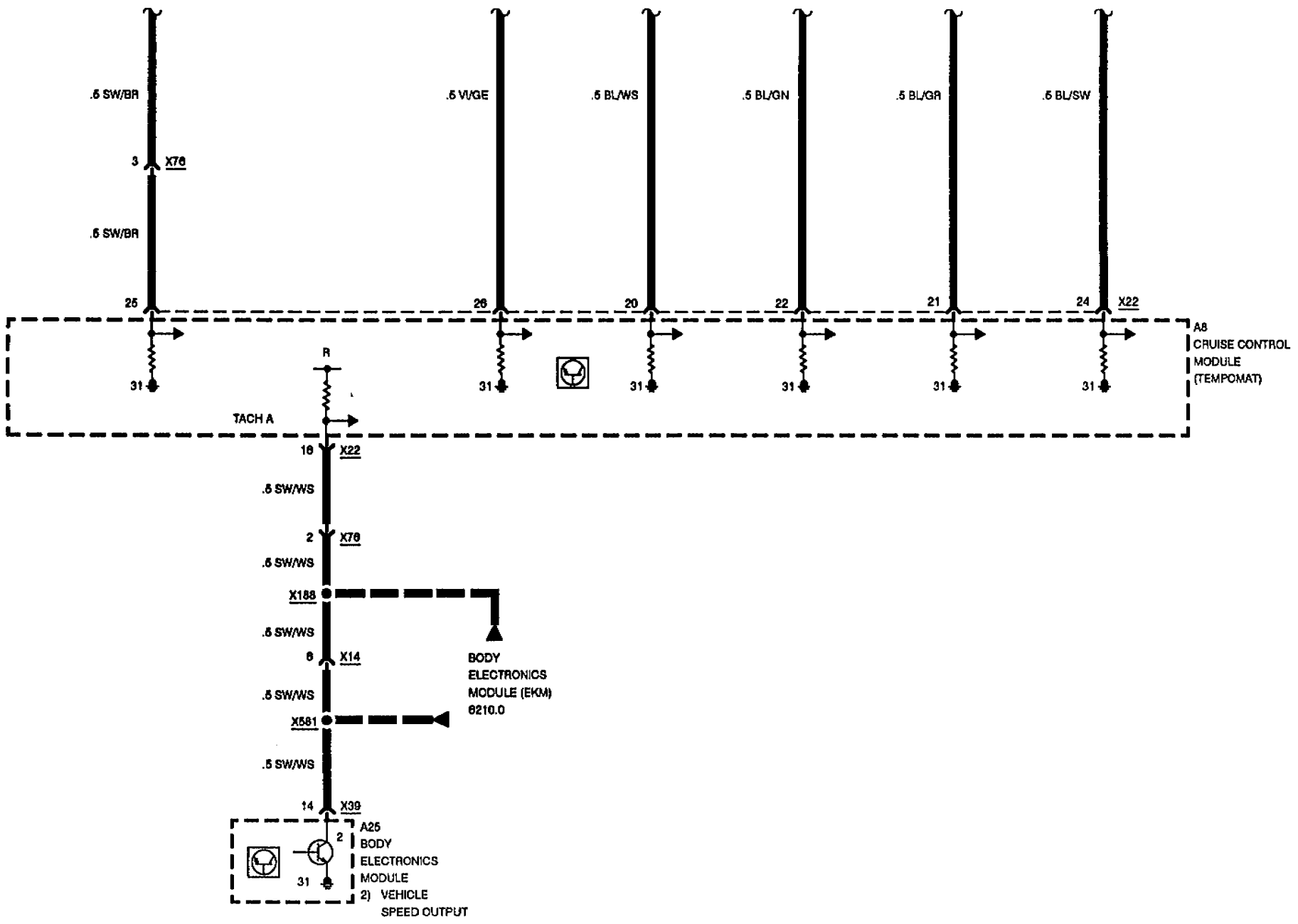
CELLULAR TELEPHONE (PROVISIONS)





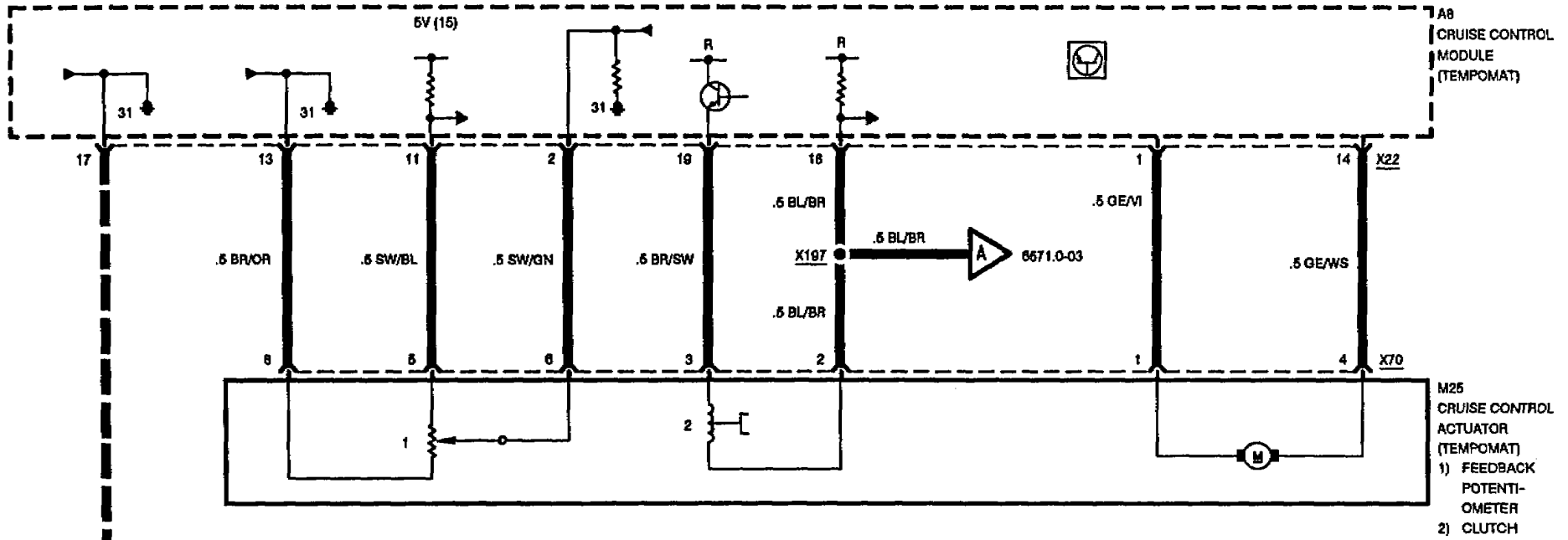
CRUISE CONTROL (TEMPOMAT)







CRUISE CONTROL (TEMPOMAT)

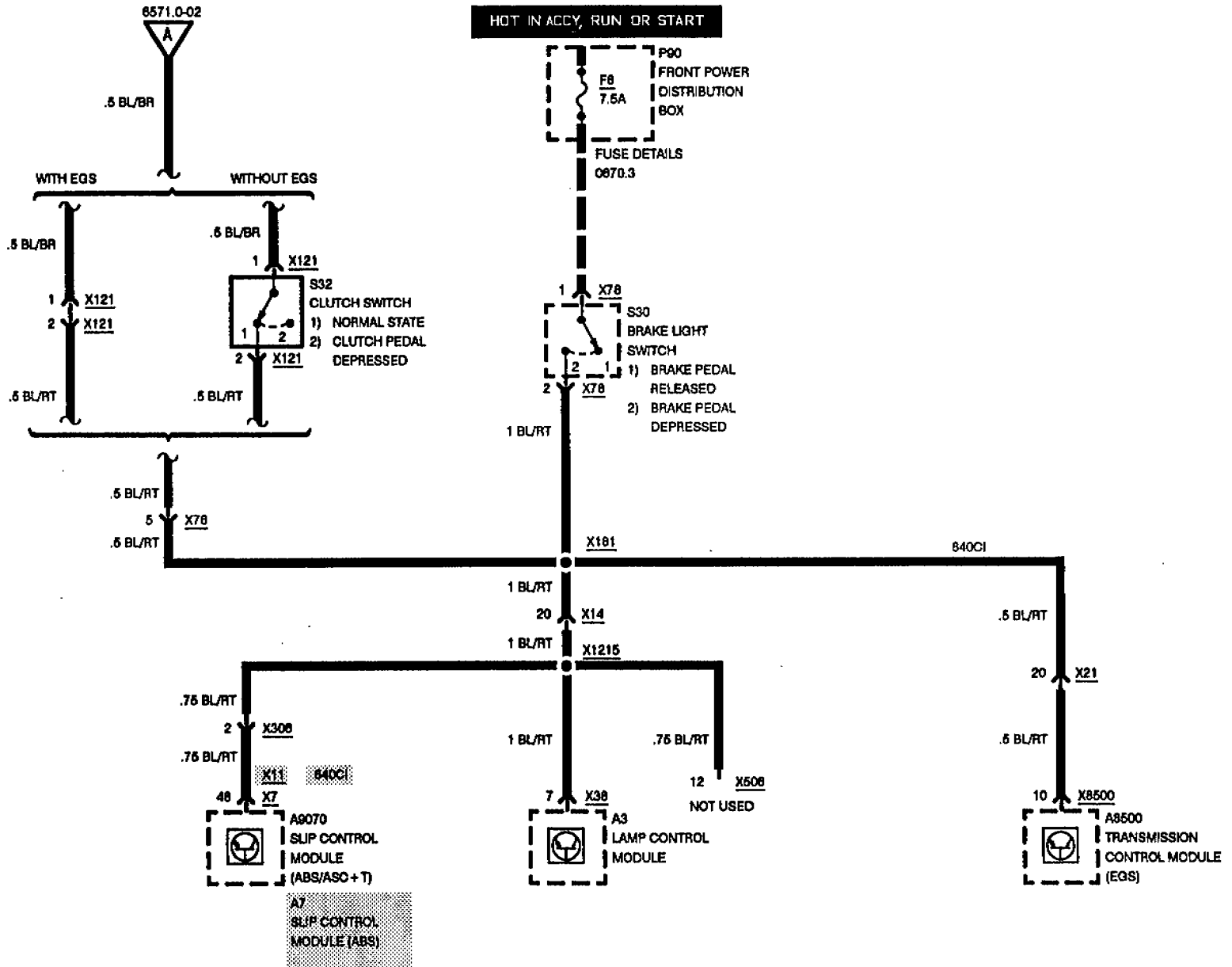


GROUND DISTRIBUTION
0670.4

X497

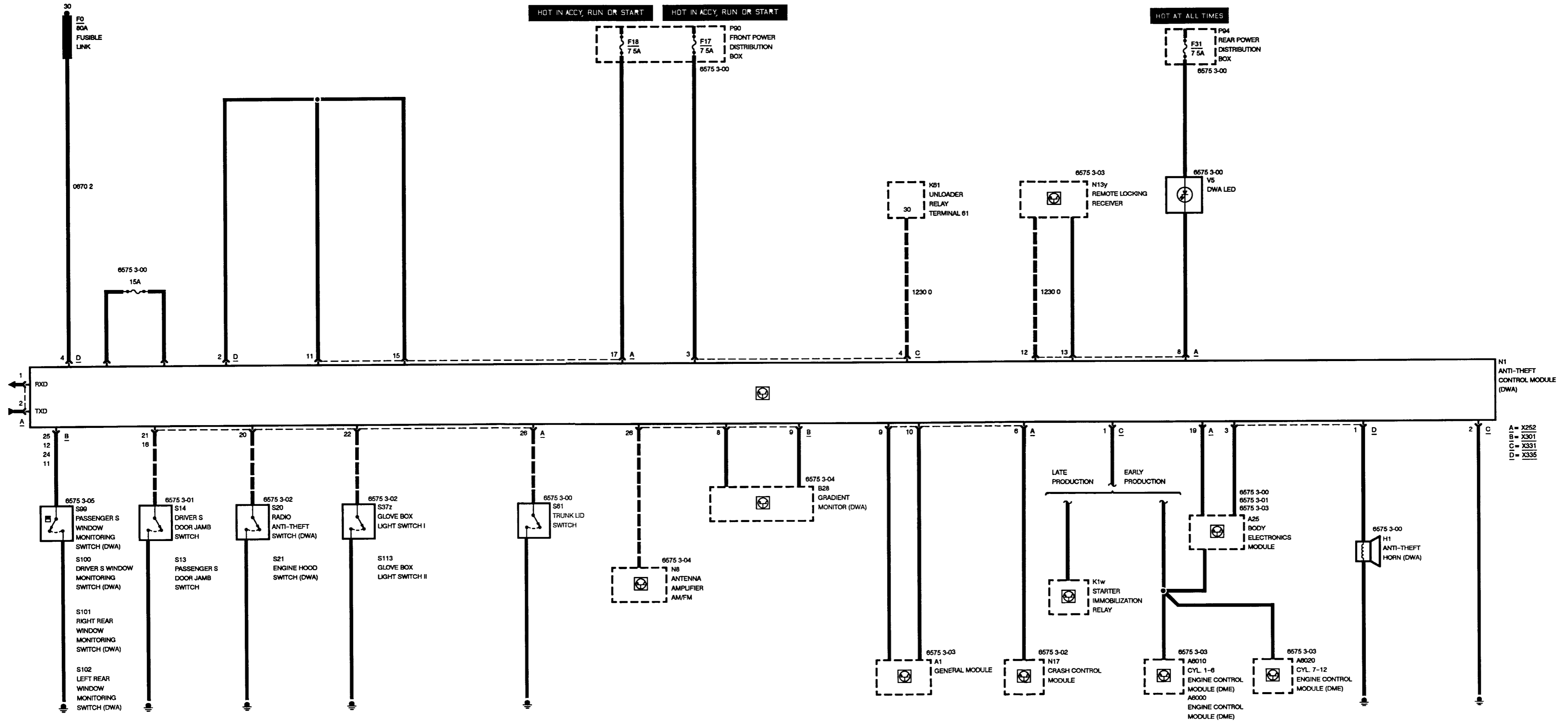


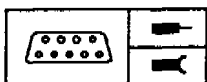
CRUISE CONTROL (TEMPOMAT)





6571.0-04





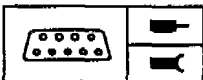
Pin Assignments

A=X252	26 pins, black
B=X301	26 pins, natural
C=X331	5 pins, black
D=X335	4 pins, black

X252

Pin	Type	Description/Function	Connection
1	E	Not used	Diagnostic connector
2	E/A	Diagnostic link Rx/D	Diagnostic connector
3		Not used	
4		Not used	
5		Not used	
6	A	Flash exterior lamps signal	Crash control unit
7		Not used	
8	A	Status-LED	DWA LED
9	E	Lock signal ZS1N	General module
10	E	Lock signal ZS1	General module
11	E	Lock signal ZS21 simulation	Connector Terminal 30
12	E	Interface RC Locking System	Remote locking receiver
13	E	Lock signal ZS22 simulation	Remote locking receiver
14		Not used	
15	E	Lock signal HKS simulation	Connector terminal 30
16	E	Passenger's door contact input	Passenger's door jamb switch
17	E	Connection terminal R	Fuse
18		Not used	
19	E	Position pulse	EKM control unit
20	E	Engine hood/radio status	Engine hood/radio switches
21	E	Driver's door contact input	Driver's door jamb switch
22	E	Glove box door status	Glove box door switches
23		Not used	
24		Not used	

E = Input, A = Output, M = Ground



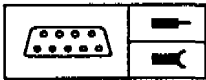
Pin Assignments

Pin	Type	Description/Function	Connection
25		Not used	
26	E	Trunk lid status signal	Trunk lid switch

X301

Pin	Type	Description/Function	Connection
1		Not used	
2		Not used	
3		Not used	
4		Not used	
5		Not used	
6		Not used	
7		Not used	
8	E	Tilt signal	Gradient monitor
9	A	Tilt signal	Gradient monitor
10		Not used	
11	E	Left rear window status	Left rear window switch
12	E	Driver's window status	Driver's window switch
13		Not used	
14		Not used	
15		Not used	
16		Not used	
17		Not used	
18		Not used	
19		Not used	
20		Not used	
21		Not used	
22		Not used	
23		Not used	
24	E	Right rear window status	Right rear window status

E = Input, A = Output, M = Ground



Pin Assignments

Pin	Type	Description/Function	Connection
25	E	Passenger's window status	Passenger's window status
26	E	Rear window status	Antenna amplifier AM/FM

X331

Pin	Type	Description/Function	Connection
1	A	Drive-away protection	DME control unit
2	E	Ground	Body ground
3	E	Terminal 15	Fuse
4	E	Terminal 61E	Battery charge indicator
5		Not used	

X335

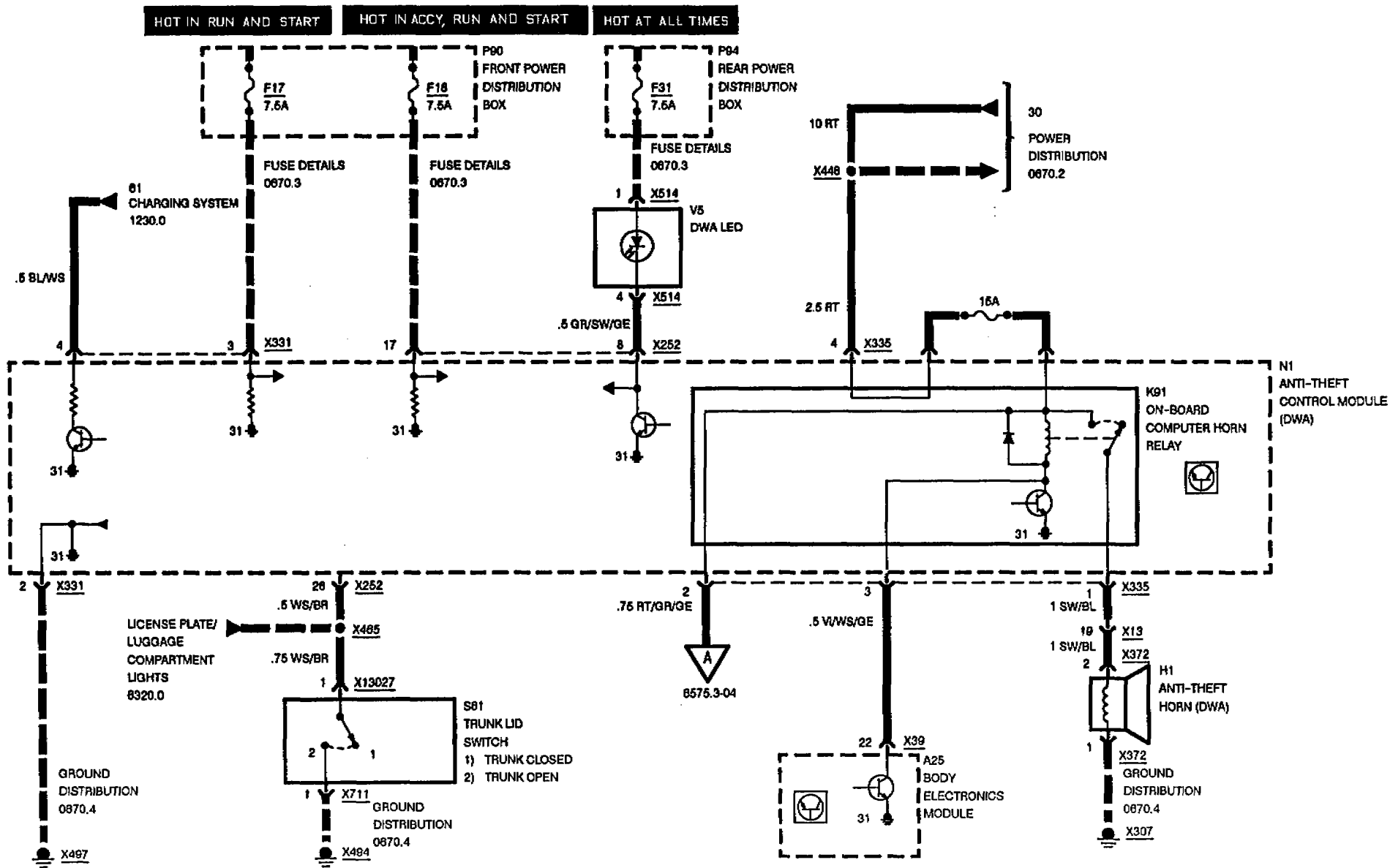
Pin	Type	Description/Function	Connection
1	A	Alarm horn connection	Alarm horn
2	A	Terminal 30 for tilt sensor/auxiliary module	Connector NG/ZM
3	E	Input BC-Horn	EKM control unit
4	E	Terminal 30 voltage	Fusible link

E = Input, A = Output, M = Ground



ANTI-THEFT SYSTEM IV (DWA IV)

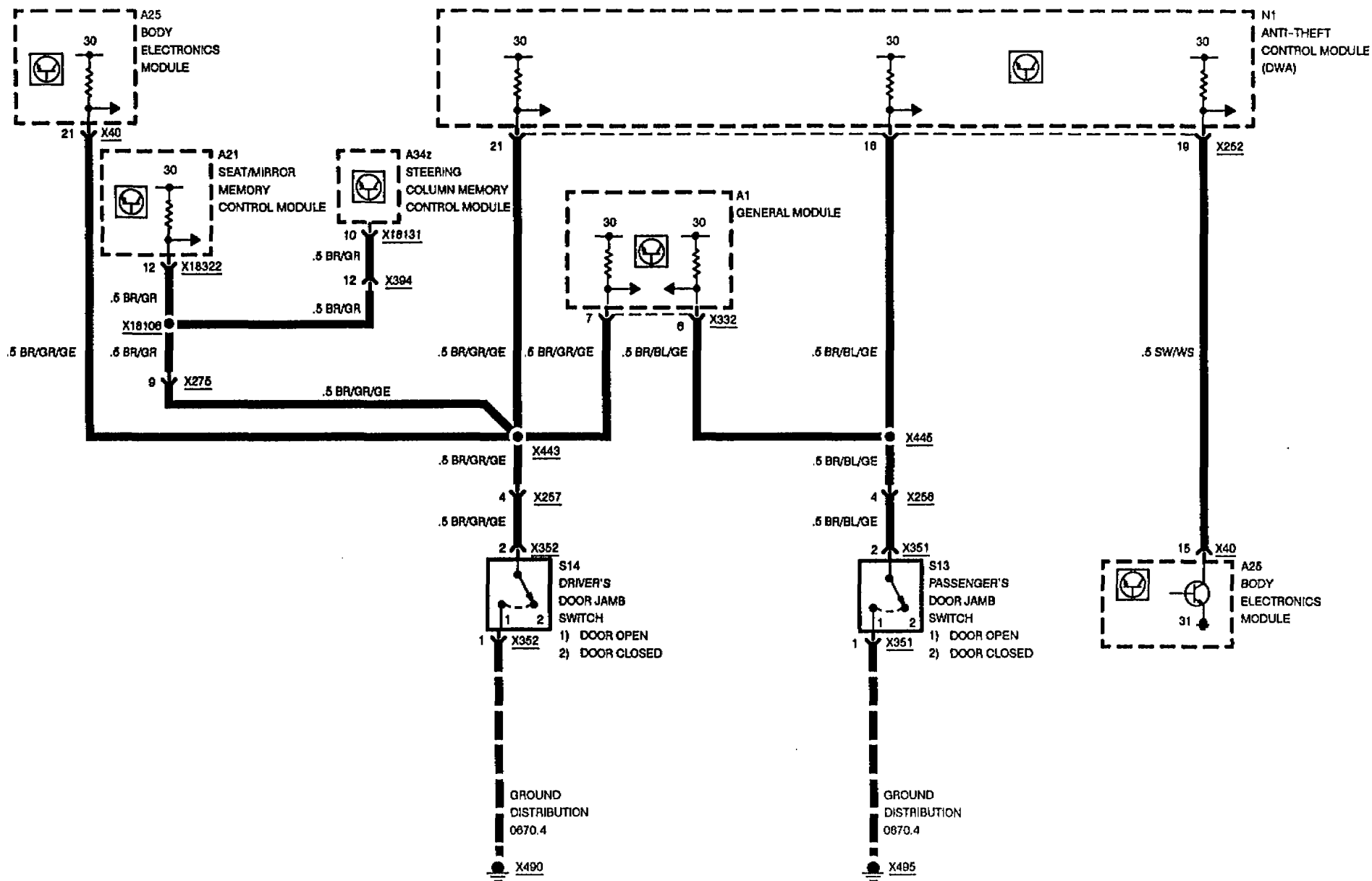
POWER, ENGINE RUNNING INPUT, TRUNK INPUT, ANTI-THEFT HORN (DWA)





ANTI-THEFT SYSTEM IV (DWA IV)

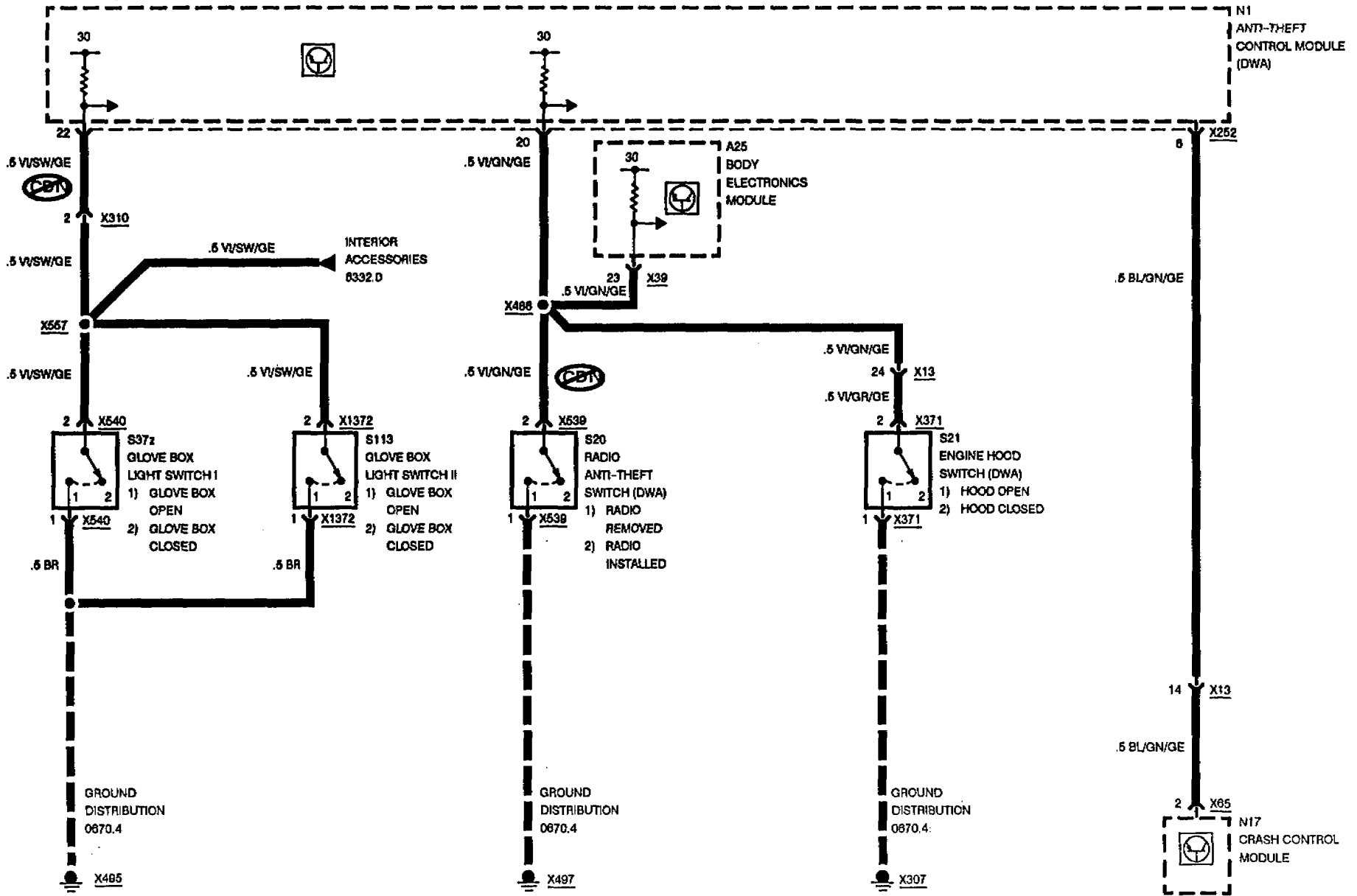
FRONT DOOR CONTACTS





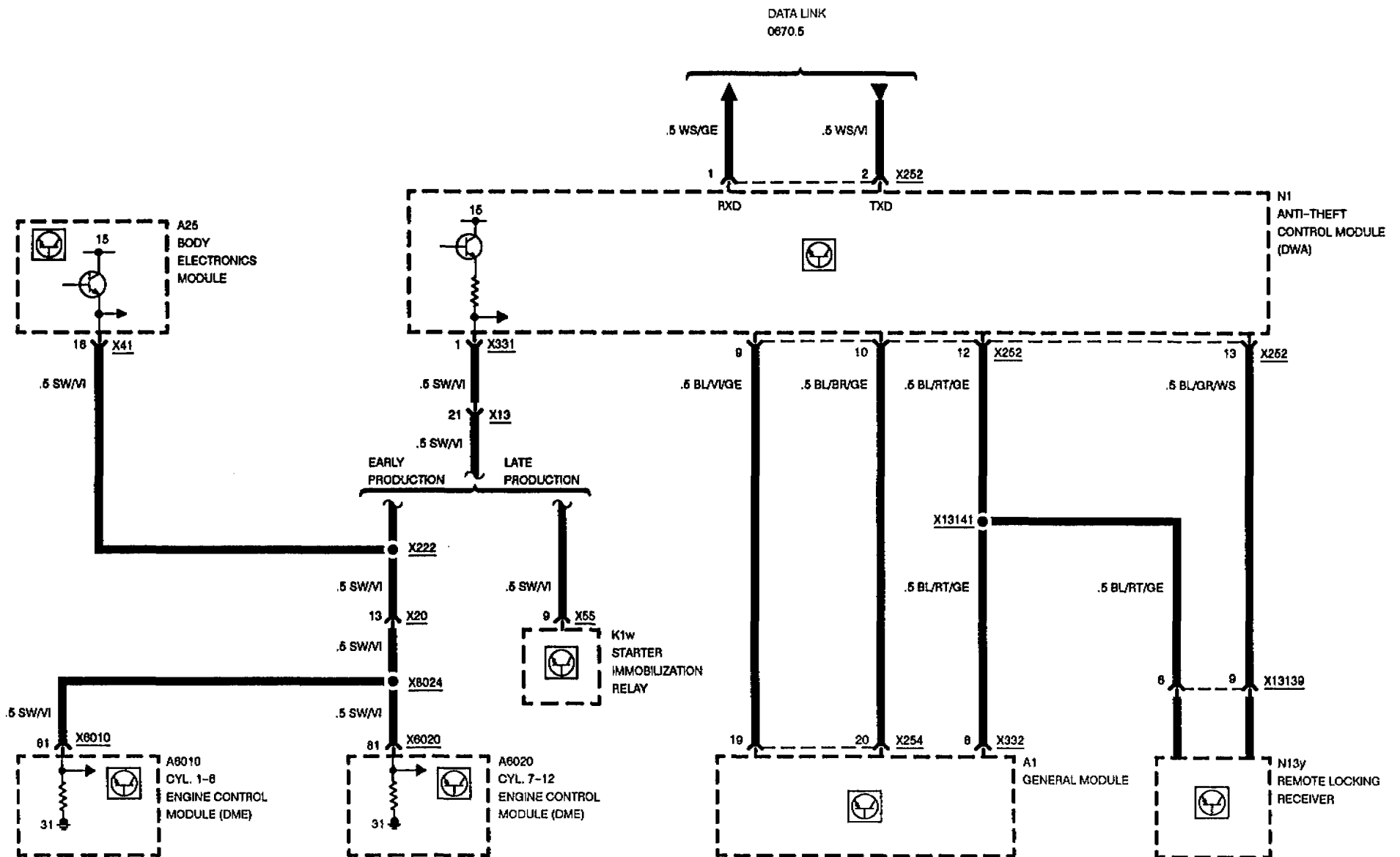
ANTI-THEFT SYSTEM IV (DWA IV)

GLOVE BOX, RADIO, ENGINE HOOD INPUTS AND VISUAL ALARM



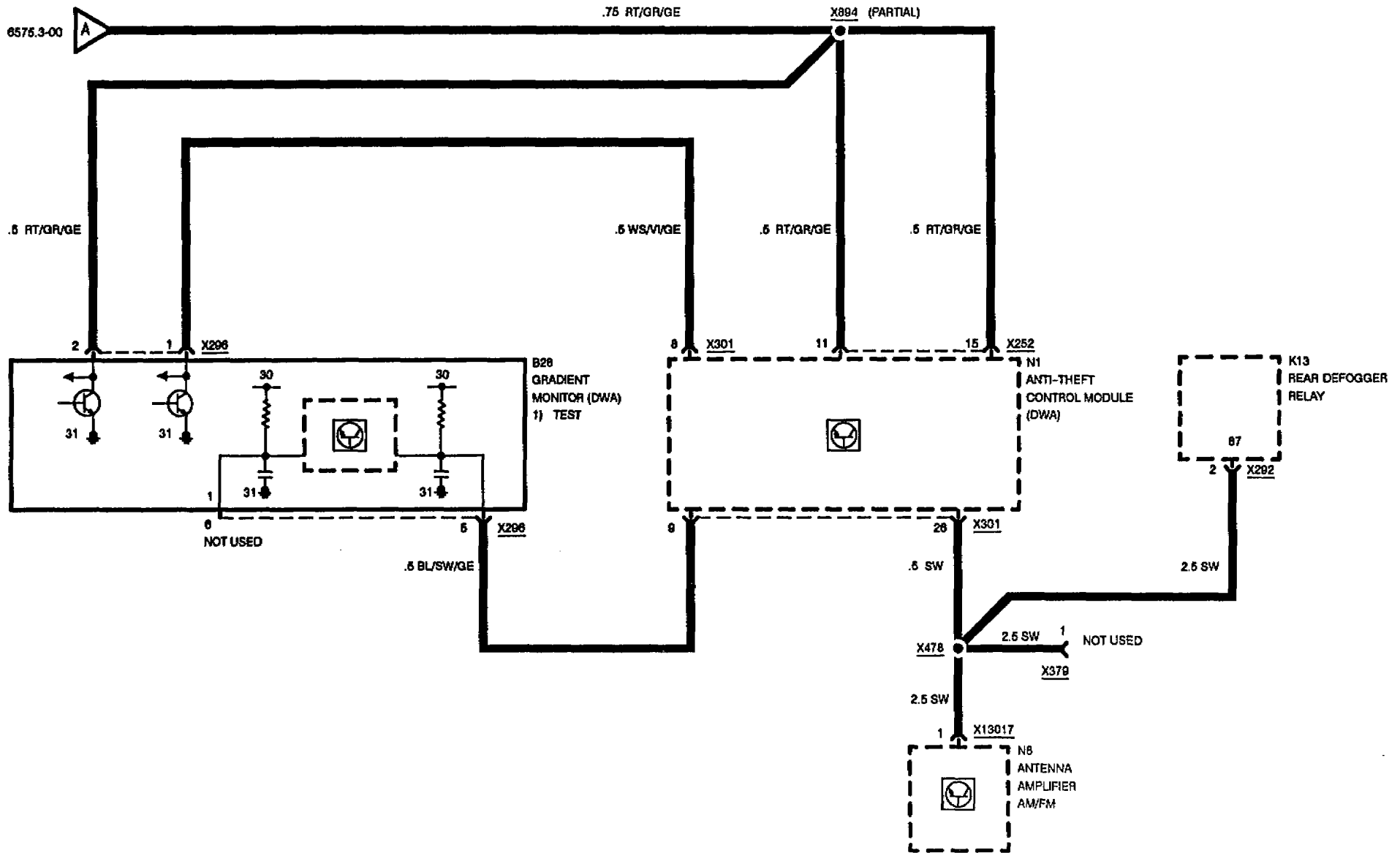


ANTI-THEFT SYSTEM IV (DWA IV) DATA LINK, DRIVE AWAY PROTECTION, QZV



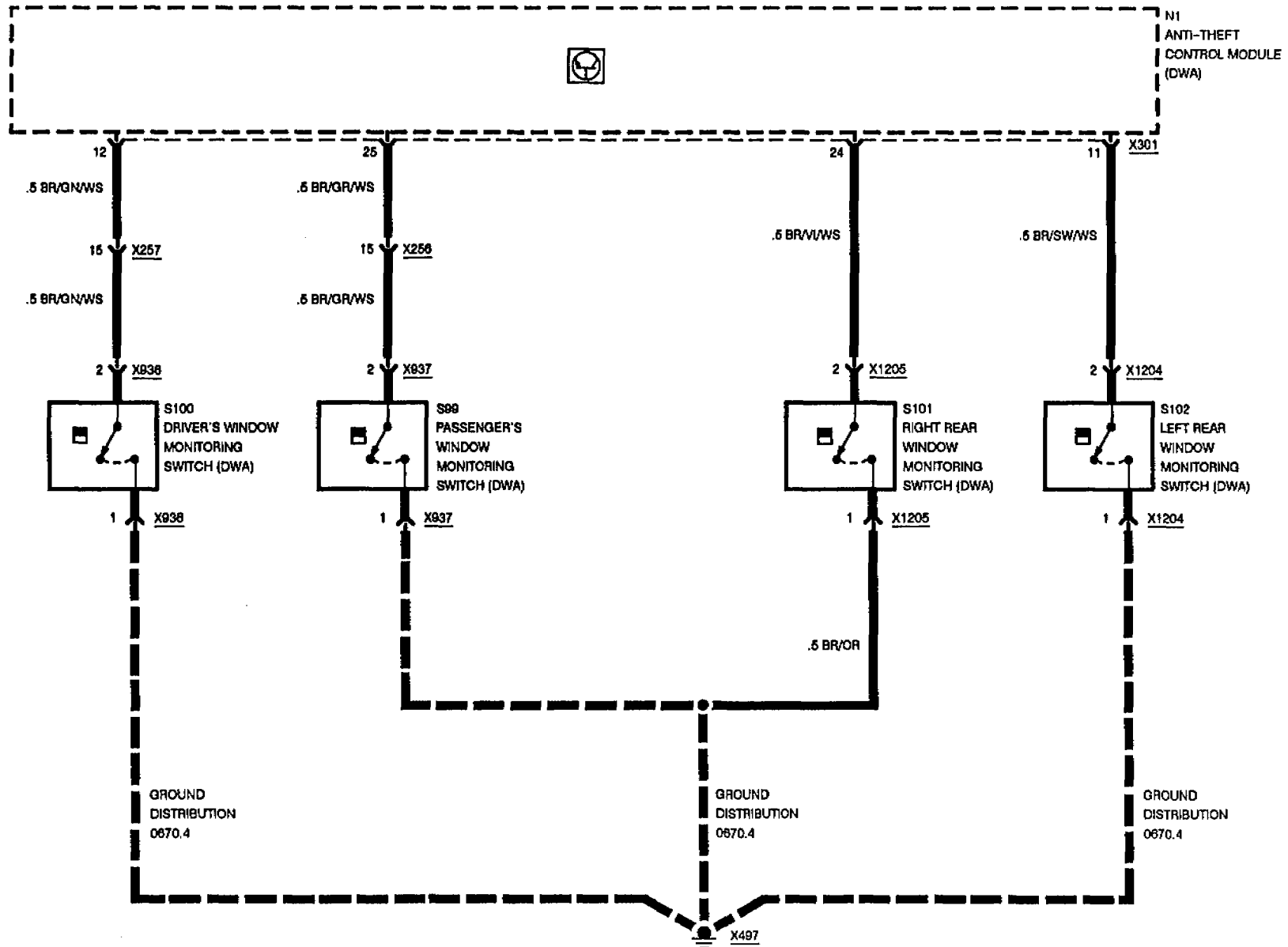


ANTI-THEFT SYSTEM IV (DWA IV) GRADIENT MONITOR AND DATA LINK



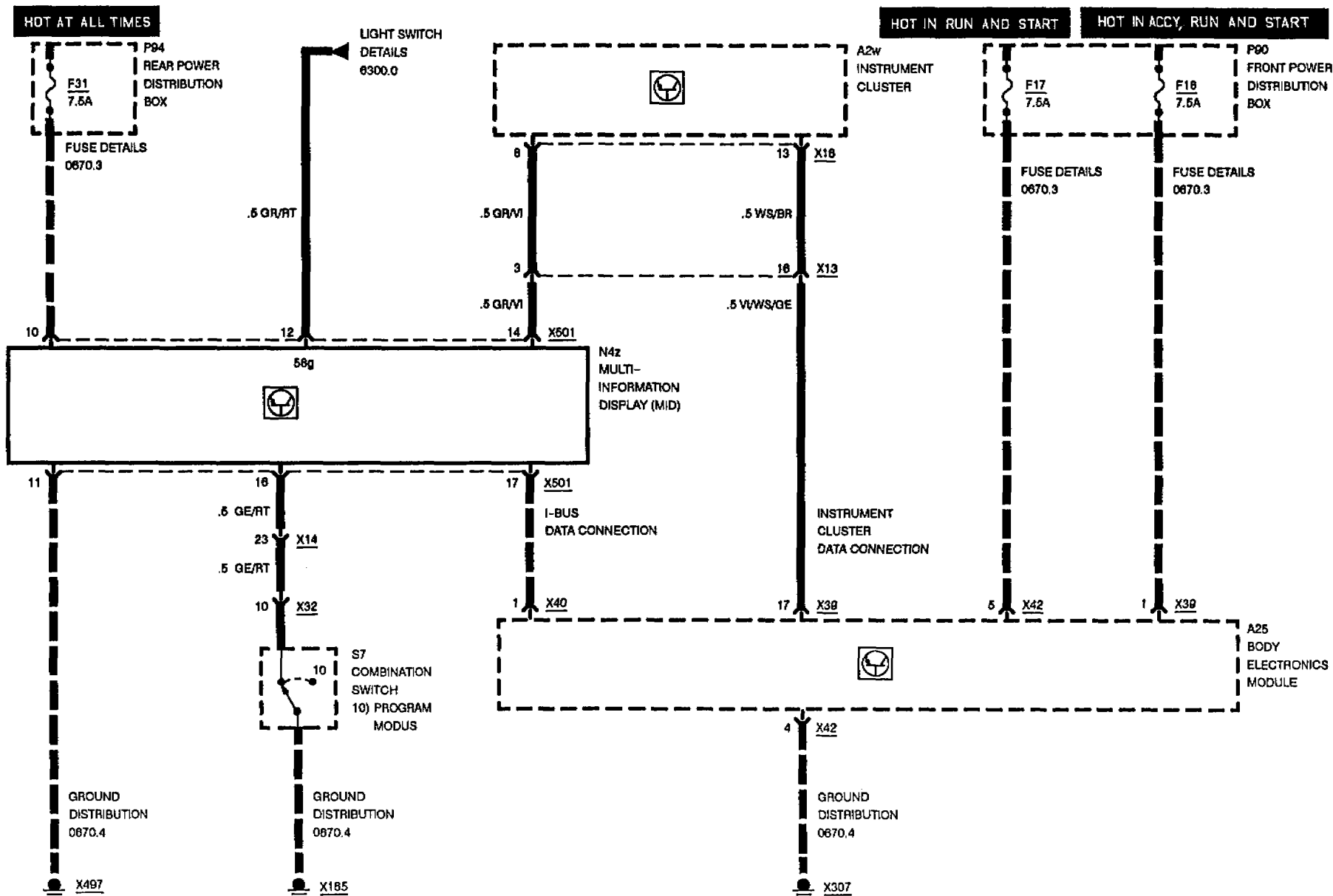


ANTI-THEFT SYSTEM IV (DWA IV) FRONT AND REAR WINDOW SWITCHES





MULTI- INFORMATION DISPLAY (MID)

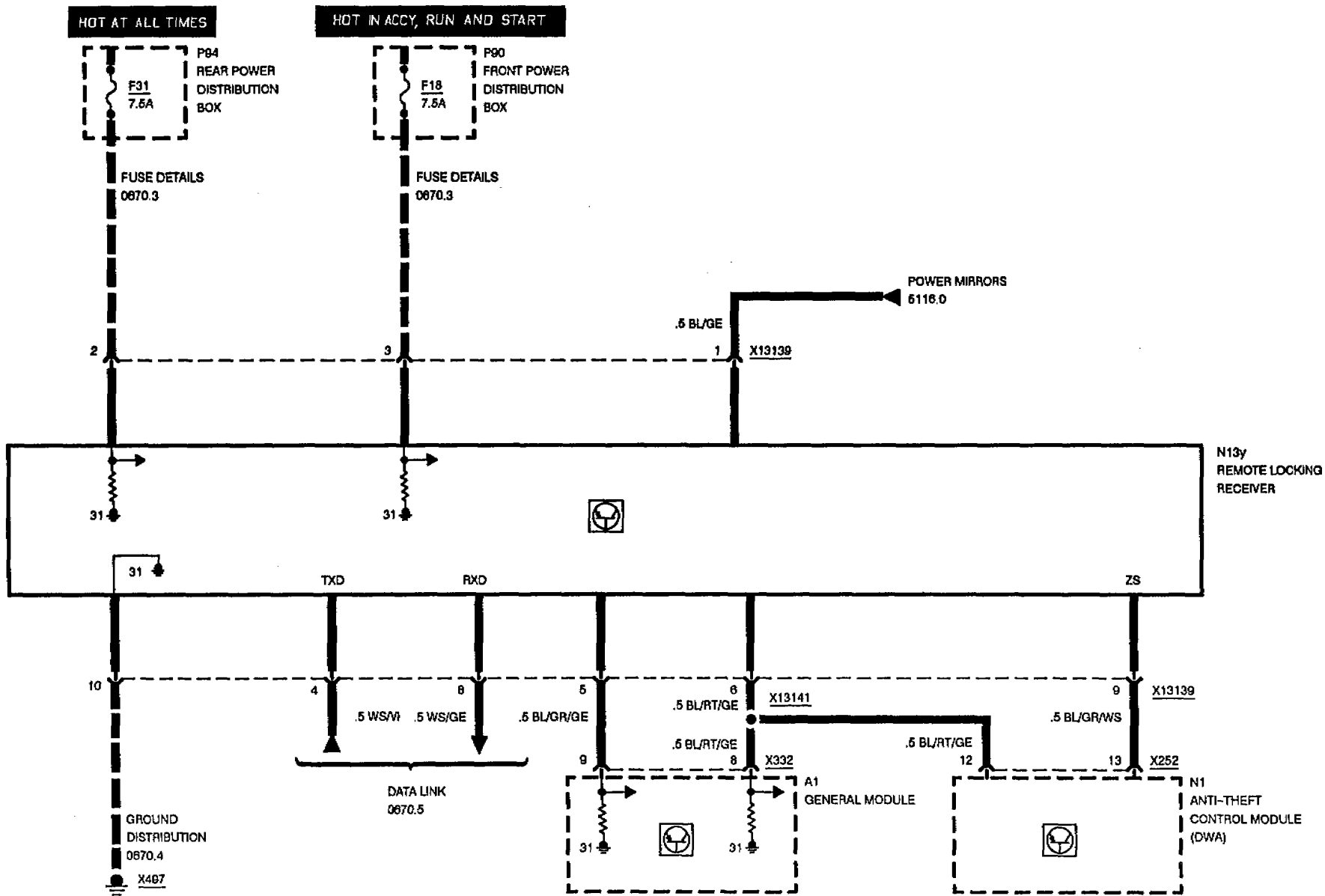


BMW
8

6610.1



REMOTE CONTROLLED LOCKING SYSTEM



12/94

6610.1-00

1994

BMW
8

7000.0



COMPONENT LOCATION CHART

COMPONENT

PAGE - FIGURE
7100.0 8500.0

A1 GENERAL MODULE Below LH side of dash 02-1
A1 GENERAL MODULE Below LH side of dash 30-1
A3 LAMP CONTROL MODULE Below LH side of dash 02-1
A3 LAMP CONTROL MODULE Below LH side of dash 30-2
A5 RELAY MODULE Inside box on interior side of LH door sill 02-3
A5 RELAY MODULE Inside box on interior side of LH door sill 29-2
A7 SLIP CONTROL MODULE (ABS) LH side of LH footwell (840Ci) 03-2
A8 CRUISE CONTROL MODULE (TEMPOMAT)	... In RH rear side of luggage compartment (840Ci) 03-3
A11	... AUTOMATIC HEATING/AC CONTROL MODULE (IHKA) Between front footwells	
A12	... SUPPLEMENTAL RESTRAINT SYSTEM CONTROL MODULE Below RH side of dash 04-3
A12	... SUPPLEMENTAL RESTRAINT SYSTEM CONTROL MODULE Below RH side of dash 33-2
A15	... PARK HEATING/VENTILATION RELAY BOX	... Below RH side of dash 04-3
A15	... PARK HEATING/VENTILATION RELAY BOX	... Below RH side of dash 33-2
A18	... HIFI AMPLIFIER In LH forward side of luggage compartment 01-2
A18	... HIFI AMPLIFIER In LH forward side of luggage compartment 44-1
A21	... SEAT/MIRROR MEMORY CONTROL MODULE Underside of LH front seat	
A23	... DRIVER'S DOOR MODULE In lower LH front door 05-2



COMPONENT LOCATION CHART

COMPONENT

PAGE - FIGURE
7100.0 8500.0

A23 ... DRIVER'S DOOR MODULE	In lower LH front door	39-3
A24 ... PASSENGER'S DOOR MODULE	In lower RH front door	05-2
A24 ... PASSENGER'S DOOR MODULE	In lower RH front door	39-3
A25 ... BODY ELECTRONICS MODULE	Below LH side of dash	02-1
A25 ... BODY ELECTRONICS MODULE	Below LH side of dash	30-1
A26 ... LOCK-SENSOR CONTROL MODULE	LH side of LH footwell	04-2
A26 ... LOCK-SENSOR CONTROL MODULE	LH side of LH footwell	32-2
A2w ... INSTRUMENT CLUSTER	LH side of dash	
A33 ... SUNROOF MODULE	Center of windshield header	05-3
A33 ... SUNROOF MODULE	Center of windshield header	35-1
A57 ... AHK CONTROL MODULE	In RH rear side of luggage compartment	01-1
A57 ... AHK CONTROL MODULE	In RH rear side of luggage compartment	46-1
A82 ... SUN BLIND CONTROL MODULE	At back of rear window shelf	00-1
A82 ... SUN BLIND CONTROL MODULE	At back of rear window shelf	14-3
A113 .. SEAT OCCUPANCY DETECTOR	In passenger's seat area	
A34z .. STEERING COLUMN MEMORY CONTROL MODULE	Center of dash behind radio	
A413 .. ELECTRONIC SHOCK ABSORBER CONTROL MODULE (EDC)	In RH side of luggage compartment	00-2
A413 .. ELECTRONIC SHOCK ABSORBER CONTROL MODULE (EDC)	In RH side of luggage compartment	42-3



COMPONENT LOCATION CHART

COMPONENT

PAGE - FIGURE
7100.0 8500.0

A417 ..	AUTOMATIC AIR RECIRCULATION CONTROL MODULE	Behind RH footwell speaker grille	05-1
A417 ..	AUTOMATIC AIR RECIRCULATION CONTROL MODULE	Behind RH footwell speaker grille	33-3
A6000 .	ENGINE CONTROL MODULE (DME)	In E-Box (840Ci)	03-1
A6004 .	THROTTLE CONTROL MODULE (EML)	Rear RH side of engine compartment In E-Box	06-2
A6010 .	CYL. 1-6 ENGINE CONTROL MODULE (DME)	Rear RH side of engine compartment In E-Box	06-2
A6020 .	CYL. 7-12 ENGINE CONTROL MODULE (DME)	Rear RH side of engine compartment In E-Box	06-2
A8500 .	TRANSMISSION CONTROL MODULE (EGS) .	In RH rear side of luggage compartment	00-3
A8500 .	TRANSMISSION CONTROL MODULE (EGS) .	In RH rear side of luggage compartment	42-2
A8600 .	TRANSMISSION CONTROL MODULE (AGS) .	In E-Box (840Ci)	03-1
A9070 .	SLIP CONTROL MODULE (ABS/ASC+T)	LH side of LH footwell	02-2
B1	RIGHT FRONT SPEED SENSOR - ABS	Behind RH front wheel	
B2	LEFT FRONT SPEED SENSOR - ABS	Behind LH front wheel	
B3	RIGHT REAR SPEED SENSOR - ABS	Behind RH rear wheel	
B4	LEFT REAR SPEED SENSOR - ABS	Behind LH rear wheel	14-2
B10 ...	VEHICLE SPEED SENSOR	On differential	13-3
B11 ...	LH HEAT EXCHANGER TEMPERATURE SENSOR	Below LH side of dash	30-3
B12 ...	RH HEAT EXCHANGER TEMPERATURE SENSOR	Center console right behind radio	
B13 ...	OUTSIDE TEMPERATURE SENSOR	Behind center of cowl	



COMPONENT LOCATION CHART

COMPONENT

PAGE - FIGURE

7100.0 8500.0

B14 ...	EVAPORATOR TEMPERATURE SENSOR	RH side of LH footwell	
B15 ...	ELECTRO- HYDRAULIC CONVERTER (SERVOTRONIC)	Under LH front of car	
B16 ...	LEFT FRONT BRAKE PAD SENSOR	Behind LH front wheel	14-1
B17 ...	RIGHT REAR BRAKE PAD SENSOR	Behind RH rear wheel	
B18 ...	BRAKE FLUID LEVEL SWITCH	Rear LH side of engine compartment	23-2
B19 ...	BRAKE PRESSURE REGULATING SWITCH	...	Rear LH side of engine compartment	23-2
B20 ...	BRAKE PRESSURE SWITCH	Rear LH side of engine compartment	23-1
B25 ...	FUEL LEVEL SENSOR II	Under LH rear seat	37-1
B28 ...	GRADIENT MONITOR (DWA)	In LH rear side of luggage compartment	41-2
B40 ...	STEERING ANGLE SENDER	On steering column	
B48 ...	RIGHT REAR ACCELERATION SENSOR	In RH rear side of luggage compartment	42-1
B49 ...	LONGITUDINAL ACCELERATION SENSOR	...	In LH forward side of luggage compartment	40-3
B52 ...	ACCUMULATOR CHARGING UNIT	In spare-wheel well	45-1
B53 ...	AHK ACTUATOR	Under rear of car	13-2
B6z ...	FUEL LEVEL SENSOR I	Under RH rear seat	37-2
B206 ..	OIL PRESSURE SWITCH	LH side of engine compartment	24-1
B21z ..	TEMPERATURE SENSOR	In ventilation duct left	24-3
B414 ..	AUTOMATIC AIR RECIRCULATION SENSOR	..	Front LH side of engine compartment	06-3
B414 ..	AUTOMATIC AIR RECIRCULATION SENSOR	..	Front LH side of engine compartment	16-3



COMPONENT LOCATION CHART

COMPONENT

PAGE - FIGURE
7100.0 8500.0

B41z	.. FRONT ACCELERATION SENSOR	RH front of wheel well above	
B900	.. JUMPER PLUG	Rear LH side of engine compartment in Front Power Distribution Box	
B6203	.. CRANKSHAFT POSITION/RPM SENSOR	Front of engine (840Ci)	21-1
B6204	.. CAMSHAFT POSITION SENSOR (CYLINDER IDENTIFICATION)	Front of engine (840Ci)	21-1
B6210	.. CYL. 1-6 HEATED OXYGEN SENSOR	On catalytic converter	15-3
B6211	.. CYL. 1-6 CYLINDER IDENTIFICATION SENSOR	Front of engine left	
B6212	.. CYL. 1-6 CRANKSHAFT POSITION/RPM SENSOR	Front of engine compartment	
B6215	.. CYL. 1-6 AIR TEMPERATURE SENSOR	Rear of engine	
B6216	.. CYL. 1-6 MASS AIR FLOW SENSOR	LH side of engine compartment	24-2
B6217	.. HOT FILM AIR MASS METER	Front of engine	22-2
B6220	.. CYL. 7-12 HEATED OXYGEN SENSOR	On catalytic converter	15-3
B6221	.. CYL. 7-12 CYLINDER IDENTIFICATION SENSOR	Front of engine right	
B6222	.. CYL. 7-12 CRANKSHAFT POSITION/RPM SENSOR	Front of engine compartment	
B6225	.. CYL. 7-12 AIR TEMPERATURE SENSOR	Rear of engine	
B6226	.. CYL. 7-12 MASS AIR FLOW SENSOR	RH side of engine compartment	25-1
B6230	.. OIL LEVEL SENSOR	Under LH front of car	15-1
B6232	.. ENGINE COOLANT TEMPERATURE SENSOR	RH side of engine rear (840Ci)	21-2
B6234	.. ENGINE COOLANT TEMP. SENSOR (EML) ...	On coolant inlet	



COMPONENT LOCATION CHART

COMPONENT

PAGE - FIGURE
7100.0 8500.0

B6235 . TEMPERATURE SWITCH	Rear RH side of engine compartment in E-Box	28-3
B6236 . ENGINE COOLANT TEMPERATURE SENSOR	RH side of engine rear (840Ci)	21-2
B6241 . CYL. 1-2 KNOCK SENSOR	RH cylinder head (840Ci)	
B6242 . CYL. 3-4 KNOCK SENSOR	RH cylinder head (840Ci)	
B6243 . CYL. 5-6 KNOCK SENSOR	LH cylinder head (840Ci)	
B6244 . CYL. 7-8 KNOCK SENSOR	LH cylinder head (840Ci)	
B9508 . PRESSURE SWITCH	RH side of engine compartment under concealing headlight	
B6210w CYL. 1-4 HEATED OXYGEN SENSOR	On catalytic converter	22-3
B6210w CYL. 1-4 HEATED OXYGEN SENSOR	On catalytic converter	
B6215A INTAKE AIR TEMPERATURE SENSOR	On coolant inlet	
B6220w CYL. 5-8 HEATED OXYGEN SENSOR	On catalytic converter	22-3
B6220w CYL. 5-8 HEATED OXYGEN SENSOR	On catalytic converter	
C101 .. CONTACT RING	On steering wheel	
C900 .. SUPPRESSION FILTER	In upper RH C-pillar	36-3
C900z . FM AMPLIFIER/SUPPRESSION FILTER	In upper RH C-pillar	
D100 .. DATA LINK CONNECTOR	Front RH side of engine compartment	25-2
E9 REAR DEFOGGER I	In rear window	
E10 ... REAR DEFOGGER/ANTENNA	In rear window	
E11 ... LEFT HIGH BEAM LIGHT	Front of car	
E12 ... RIGHT HIGH BEAM LIGHT	Front of car	



COMPONENT LOCATION CHART

COMPONENT

PAGE - FIGURE
7100.0 8500.0

E13 ...	LEFT LOW BEAM LIGHT	Front of car
E14 ...	RIGHT LOW BEAM LIGHT	Front of car
E15 ...	LEFT PARK LIGHT	Front of car
E19 ...	RIGHT PARK LIGHT	Front of car
E20 ...	UNDERHOOD LIGHT	On underside of engine hood 16-2
E21 ...	LEFT FRONT MARKER LIGHT	Near LH headlight assembly
E22 ...	RIGHT FRONT MARKER LIGHT	Near RH headlight assembly
E26 ...	LEFT FOG LIGHT	Front of car
E27 ...	RIGHT FOG LIGHT	Front of car
E28 ...	FRONT CIGAR LIGHTER	Center of dash below front of console
E29 ...	FRONT CIGAR LIGHTER LIGHT	Center of dash below front of console
E33 ...	TRUNK LID LIGHT	Underside of trunk lid
E34 ...	FRONT DOME LIGHT/MAP READING ASSEMBLY	Underside of trunk lid
E35 ...	DRIVER'S MAKEUP MIRROR LIGHT	In roof panel
E36 ...	PASSENGER'S MAKEUP MIRROR LIGHT	In roof panel
E39 ...	LEFT REAR INTERIOR LIGHT	Behind LH footwell trim
E40 ...	RIGHT REAR INTERIOR LIGHT	Behind RH footwell trim
E41 ...	DASH LIGHT	Center of dash
E42 ...	GLOVE BOX LIGHT	RH side of glove box above
E43 ...	LEFT LICENSE PLATE LIGHT	Underside of trunk lid, near license plate



COMPONENT LOCATION CHART

COMPONENT

PAGE - FIGURE
7100.0 8500.0

E44 ...	RIGHT LICENSE PLATE LIGHT	Underside of trunk lid, near license plate	
E48 ...	DOOR LOCK HEATER	In upper LH front door	
E51 ...	LEFT WASHER JET HEATER	On underside of engine hood	16-2
E52 ...	RIGHT WASHER JET HEATER	On underside of engine hood	
E56 ...	DRIVER'S SEATBACK HEATER	In lower LH front seatback	
E57 ...	DRIVER'S SEAT HEATER	Underside of LH front seat	
E58 ...	PASSENGER'S SEAT HEATER	Underside of RH front seat	
E59 ...	PASSENGER'S SEATBACK HEATER	In lower RH front seatback	
E61 ...	LEFT FRONT FOOTWELL LIGHT	LH front door behind door panel	36-1
E62 ...	RIGHT FRONT FOOTWELL LIGHT	RH front door behind door panel	
E69 ...	LEFT HIGH BEAM FLASHER LIGHT	Front of car	
E78 ...	DRIVER'S DOOR PANEL LIGHT	In upper LH front door	
E79 ...	PASSENGER'S DOOR PANEL LIGHT	In upper RH front door	
E80 ...	LEFT REAR LIGHT ASSEMBLY II	Underside of trunk lid left	44-3
E81 ...	RIGHT REAR LIGHT ASSEMBLY II	Underside of trunk lid right	44-3
E82 ...	TRANSMISSION POSITION INDICATOR LIGHT	Center console	
E96 ...	GEAR SHIFT LEVER INDICATOR	Center console	
E45y ..	CASSETTE BOX LIGHT	Center console	
E46z ..	LEFT REAR LIGHT ASSEMBLY I	In LH rear side of luggage compartment	
E47z ..	RIGHT REAR LIGHT ASSEMBLY I	In RH rear side of luggage compartment	



COMPONENT LOCATION CHART

COMPONENT

PAGE - FIGURE
7100.0 8500.0

E70z	..	RIGHT HIGH BEAM FLASHER LIGHT	Front of car	
E9021	..	LEFT REAR SIDE MARKER LIGHT	In LH rear side of luggage compartment	
E9022	..	RIGHT REAR SIDE MARKER LIGHT	In RH rear side of luggage compartment	
E9033	..	LEFT TRUNK LID LIGHT	In LH side of luggage compartment	
E9046	..	LEFT LIGHT BAND	Front of car	
E9047	..	RIGHT LIGHT BAND	Front of car	
E9133	..	RIGHT TRUNK LID LIGHT	In RH side of luggage compartment	
F0	FUSIBLE LINK	In RH side of luggage compartment	08-1
F0	FUSIBLE LINK	In RH side of luggage compartment	42-2
F97	FUSIBLE LINK	In RH rear side of luggage compartment (840Ci)	46-3
F99	FUSIBLE LINK (50A)	In RH rear side of luggage compartment (840Ci)	46-3
G4	LEFT BATTERY II	In LH rear side of luggage compartment	08-3
G4	LEFT BATTERY II	In LH rear side of luggage compartment	41-1
G5	DRIVER'S AIR BAG GAS GENERATOR	On steering wheel	
G6	PASSENGER'S AIR BAG GAS GENERATOR I	Below RH side of dash	
G1z	RIGHT BATTERY I	In RH side of luggage compartment	08-1
G1z	RIGHT BATTERY I	In RH side of luggage compartment	42-2
G6430	..	B+ JUMP START JUNCTION POINT	Rear RH side of engine compartment near shock tower (840Ci)	19-3
G6509	..	GENERATOR	LH side of engine compartment	
H1	ANTI-THEFT HORN (DWA)	Behind RH fresh air cowl	



COMPONENT LOCATION CHART

COMPONENT

PAGE - FIGURE
7100.0 8500.0

H2	LEFT HORN	Front of car under radiator
H3	RIGHT HORN	Front of car under radiator
H4	RIGHT FRONT TURN LIGHT	In RH front bumper
H5	RIGHT REAR TURN LIGHT	RH side of body rear end
H6	LEFT REAR TURN LIGHT	LH side of body rear end
H7	LEFT FRONT TURN LIGHT	In LH front bumper
H8	RIGHT FRONT AUXILIARY TURN LIGHT	Near RH front wheel well
H9	LEFT FRONT AUXILIARY TURN LIGHT	Near LH front wheel well
H24	LEFT BRAKE LIGHT	LH side of body rear end
H25	LEFT TAIL LIGHT	LH side of body rear end
H27	LEFT BACK UP LIGHT	LH side of body rear end
H28	RIGHT BACK UP LIGHT	RH side of body rear end
H30	RIGHT TAIL LIGHT	RH side of body rear end
H31	RIGHT BRAKE LIGHT	RH side of body rear end
H34	HIGH LEVEL STOP LIGHT	At back of rear window shelf
H38	TELEPHONE TRANSCEIVER	In LH forward side of luggage compartment
H42	LEFT MID-HIGH RANGE SPEAKER	Driver's door
H43	RIGHT MID-HIGH RANGE SPEAKER	Passenger's door
H45	RIGHT REAR SPEAKER	At back of rear window shelf
H46	LEFT REAR SPEAKER	At back of rear window shelf



COMPONENT LOCATION CHART

COMPONENT

PAGE - FIGURE
7100.0 8500.0

H50 ...	RIGHT FRONT HIGH RANGE SPEAKER	In upper RH front door	
H51 ...	RIGHT FRONT LOW RANGE SPEAKER	Behind RH footwell kickpanel	
H52 ...	RIGHT REAR LOW RANGE SPEAKER	At back of rear window shelf	
H53 ...	RIGHT REAR HIGH RANGE SPEAKER	At back of rear window shelf	
H54 ...	RIGHT FRONT MIDRANGE SPEAKER	In upper RH front door	
H55 ...	LEFT FRONT MIDRANGE SPEAKER	Driver's door	
H56 ...	LEFT REAR HIGH RANGE SPEAKER	At back of rear window shelf	
H57 ...	LEFT REAR LOW RANGE SPEAKER	At back of rear window shelf	
H58 ...	LEFT FRONT LOW RANGE SPEAKER	Footwell, driver's side	
H59 ...	LEFT FRONT HIGH RANGE SPEAKER	Driver's door	
H10z ..	ACOUSTIC DEVICE	Below RH side of dash	33-1
H54z ..	REAR RIGHT MID-HIGH RANGE SPEAKER	..	At back of rear window shelf	
H55z ..	REAR LEFT MID-HIGH RANGE SPEAKER	At back of rear window shelf	
H9025 .	UPPER LEFT TAIL LIGHT	LH side of body rear end	
H9030 .	UPPER RIGHT TAIL LIGHT	RH side of body rear end	
K1	STARTER RELAY	Rear LH side of engine compartment in Front Power Distribution Box	18-1
K2	HORN RELAY	Rear LH side of engine compartment in Front Power Distribution Box	17-2
K3	UNLOADER RELAY, TERMINAL R	Rear LH side of engine compartment in Front Power Distribution Box	18-1
K4	BLOWER RELAY	Rear LH side of engine compartment in Front Power Distribution Box	18-1
K5	WASHER PUMP RELAY	Rear LH side of engine compartment in Front Power Distribution Box	17-2



COMPONENT LOCATION CHART

COMPONENT

PAGE - FIGURE
7100.0 8500.0

K9	UNLOADER RELAY, TERMINAL 15	Rear LH side of engine compartment in Front Power Distribution Box	17-1
K12	WIPER PRESSURE CONTROL (ADV) RELAY	Rear LH side of engine compartment in Front Power Distribution Box	17-1
K13	REAR DEFOGGER RELAY	Rear Power Distribution Box in LH side of luggage compartment	40-1
K15	ELECTRIC POWER PROTECTION RELAY	Rear Power Distribution Box in LH side of luggage compartment	40-1
K16	HAZARD FLASHER RELAY	Rear LH side of engine compartment in Front Power Distribution Box	17-3
K19	COMPRESSOR CONTROL RELAY	Rear LH side of engine compartment in Front Power Distribution Box	18-2
K1w	STARTER IMMOBILIZATION RELAY	Behind LH footwell speaker grille	
K21	NORMAL SPEED RELAY	Rear LH side of engine compartment in Front Power Distribution Box	17-3
K22	HIGH SPEED RELAY	Rear LH side of engine compartment in Front Power Distribution Box	17-1
K25	RIGHT PARK LIGHT/LICENSE PLATE LIGHT RELAY	Below LH side of dash near hood release lever	
K26	LEFT PARK LIGHT RELAY	Below LH side of dash near hood release lever	
K29	INTERIOR LIGHT RELAY	LH side of LH footwell	32-2
K30	ELECTRIC POWER PROTECTION RELAY II	Rear Power Distribution Box in LH side of luggage compartment	40-1
K33	AIR CONDITIONING RELAY	Rear LH side of engine compartment in Front Power Distribution Box	17-2
K36	WIPER RELAY I	Rear LH side of engine compartment in Front Power Distribution Box	18-1
K37	WIPER RELAY II	Rear LH side of engine compartment in Front Power Distribution Box	18-1
K38	WIPER RELAY III	Rear LH side of engine compartment in Front Power Distribution Box	18-1
K39	CONCEALING HEADLIGHTS RELAY	Rear LH side of engine compartment in Front Power Distribution Box	17-3
K42	INTENSIVE WASH RELAY	Rear LH side of engine compartment in Front Power Distribution Box	17-2



COMPONENT LOCATION CHART

COMPONENT

PAGE - FIGURE
7100.0 8500.0

K46 ... HIGH BEAM LIGHT RELAY	Rear LH side of engine compartment in Front Power Distribution Box	17-1
K51 ... JUMPER PLUG FOR HORN/TELEPHONE	Rear LH side of engine compartment in Front Power Distribution Box	18-2
K60 ... COMPRESSOR CUT-OFF RELAY	Rear LH side of engine compartment in Front Power Distribution Box	18-2
K61 ... UNLOADER RELAY, TERMINAL 61	Rear LH side of engine compartment in Front Power Distribution Box	17-2
K67 ... EDC RELAY	In RH side of luggage compartment	42-3
K70 ... CENTRAL LOCKING TRUNK LID MOTOR RELAY (ZV)	Rear Power Distribution Box in LH side of luggage compartment	40-2
K72 ... CONSUMER CUT-OFF RELAY I	Rear Power Distribution Box in LH side of luggage compartment	40-2
K73 ... CONSUMER CUT-OFF RELAY II	Rear Power Distribution Box in LH side of luggage compartment	40-1
K81 ... WARNING LIGHT RELAY	In RH rear side of luggage compartment	45-3
K82 ... AHK RELAY	In RH rear side of luggage compartment	45-3
K8z ... AUXILIARY WATER PUMP RELAY	Rear LH side of engine compartment in Front Power Distribution Box	17-2
K91 ... ON-BOARD COMPUTER HORN RELAY	Inside box on interior side of RH door sill	
K94 ... ABS PUMP MOTOR RELAY	In LH auxiliary relay box, engine compartment	22-1
K94 ... ABS PUMP MOTOR RELAY	LH side of engine compartment in auxiliary relay box LH front of engine compartment	
K95 ... VALVE RELAY (ABS/ASC)	In LH auxiliary relay box, engine compartment	22-1
K95 ... VALVE RELAY (ABS/ASC)	LH side of engine compartment in auxiliary relay box LH front of engine compartment	
K111 .. DAYTIME RUNNING LIGHTS RELAY	Rear Power Distribution Box in LH side of luggage compartment	40-2



COMPONENT LOCATION CHART

COMPONENT

PAGE - FIGURE
7100.0 8500.0

K199	.. SERVOTRONIC RELAY	Rear LH side of engine compartment in Front Power Distribution Box	18-2
K52z	.. FLASHER LIGHT RELAY	Rear LH side of engine compartment in Front Power Distribution Box	17-3
K6300	.. ENGINE CONTROL MODULE RELAY	In E-Box	21-3
K6300	.. ENGINE CONTROL MODULE RELAY	In E-Box	
K6303	.. OXYGEN SENSOR RELAY	In E-Box (840Ci)	21-3
K6303	.. OXYGEN SENSOR RELAY	In E-Box	
K6310	.. CYL. 1-6 ENGINE CONTROL MODULE RELAY	Rear RH side of engine compartment In E-Box	28-2
K6311	.. CYL. 1-6 FUEL PUMP RELAY	Rear RH side of engine compartment In E-Box	28-2
K6320	.. CYL. 7-12 ENGINE CONTROL MODULE RELAY	Rear RH side of engine compartment In E-Box	28-2
K6321	.. CYL. 7-12 FUEL PUMP RELAY	Rear RH side of engine compartment In E-Box	28-2
K6301w	FUEL PUMP RELAY	In E-Box (840Ci)	21-3
M2 FUEL PUMP	In RH side of luggage compartment	
M3 WIPER MOTOR	Behind LH fresh air cowl	
M4 WASHER PUMP	RH side of engine compartment on washer fluid reservoir	27-1
M5 INTENSIVE WASH PUMP	Front RH side of engine compartment near windshield washer reservoir	
M6 WIPER PRESSURE CONTROL MOTOR (ADV)	Behind LH fresh air cowl	
M7 HEADLIGHT/FOG LIGHT WASHER PUMP	Front RH side of engine compartment near windshield washer reservoir	27-2
M9 AUXILIARY FAN MOTOR	Behind front grille	16-3
M11	... CYL. 7-12 FUEL PUMP	In RH side of luggage compartment	
M12	... DRIVER'S DOOR LOCK MOTOR	In lower LH front door	38-1



COMPONENT LOCATION CHART

COMPONENT

PAGE - FIGURE
7100.0 8500.0

M13 ... PASSENGER'S DOOR LOCK MOTOR	In lower RH front door	38-1
M16 ... GAS FILLER LOCK MOTOR	In RH rear side of luggage compartment	43-3
M17 ... TRUNK LOCK MOTOR	Rear of car rear side of luggage compartment	
M18 ... LH CONCEALING HEADLIGHT MOTOR	Front LH side of engine compartment	
M19 ... RH CONCEALING HEADLIGHT MOTOR	Front RH side of engine compartment	
M20 ... LEFT REAR WINDOW MOTOR	Left from LH rear seat behind trim panel	
M22 ... RIGHT REAR WINDOW MOTOR	RH side of RH rear seat behind trim panel	
M24 ... SUNROOF MOTOR	Center of windshield header	35-2
M25 ... CRUISE CONTROL ACTUATOR (TEMPOMAT)	Front LH side of engine compartment	19-1
M2z ... CYL. 1-6 FUEL PUMP	In RH side of luggage compartment	
M30 ... BLOWER MOTOR	Behind center of cowl	
M31 ... LEFT FOOTWELL FLAP MOTOR	Below LH side of dash	
M32 ... RIGHT FOOTWELL FLAP MOTOR	LH side of RH footwell	
M33 ... RIGHT VENTILATION FLAP MOTOR	LH side of RH footwell	
M34 ... DASH VENT MIXING FLAP MOTOR	RH side of dash behind glove box RH side of IHKA Plenum	
M35 ... DEFROSTER FLAP MOTOR	LH side of IHKA Plenum	
M36 ... FRESH AIR FLAP MOTOR	LH side of IHKA Plenum	
M38 ... LEFT VENTILATION FLAP MOTOR	Behind LH fresh air cowl	
M39 ... LEFT MIXING FLAP MOTOR	Center of dash left of radio	
M40 ... RECIRCULATION FLAP MOTOR	Below LH side of dash	



COMPONENT LOCATION CHART

COMPONENT

PAGE - FIGURE
7100.0 8500.0

M50 ... DRIVER'S SEAT CUSHION TILT MOTOR Under LH front seat	
M51 ... DRIVER'S SEAT MOVEMENT MOTOR Under LH front seat	
M52 ... DRIVER'S SEAT HEIGHT MOTOR Under LH front seat	
M53 ... DRIVER'S SEATBACK RECLINER MOTOR	... In lower LH front seatback	
M58 ... PASSENGER'S SEATBACK RECLINER MOTOR In lower RH front seatback	
M59 ... PASSENGER'S SEAT HEIGHT MOTOR Under RH front seat	
M60 ... PASSENGER'S SEAT MOVEMENT MOTOR	.. Under RH front seat	
M61 ... PASSENGER'S SEAT CUSHION TILT MOTOR	Under RH front seat	
M65 ... DRIVER'S THIGH SUPPORT MOTOR Under LH front seat	
M66 ... PASSENGER'S THIGH SUPPORT MOTOR	... Under RH front seat	
M74 ... SUN BLIND MOTOR At back of rear window shelf 14-3
M80 ... LEFT HEADLIGHT WIDENING MOTOR Front LH side of engine compartment	
M81 ... RIGHT HEADLIGHT WIDENING MOTOR Front RH side of engine compartment	
M82 ... STEERING COLUMN LENGTH ADJUST MOTOR Bottom of steering column	
M83 ... STEERING COLUMN ANGLE ADJUST MOTOR	Bottom of steering column	
M86 ... WATER PUMP IN LUGGAGE COMPARTMENT	In luggage compartment In spare tire compartment 45-2
M93 ... AUXILIARY THROTTLE POSITION MOTOR (ADS) Front LH side of engine compartment 19-1
M93 ... AUXILIARY THROTTLE POSITION MOTOR (ADS) LH side of engine compartment	
M21z ... DRIVER'S POWER WINDOW MOTOR/ INCREMENT SENSOR In lower LH front door 39-2



COMPONENT LOCATION CHART

COMPONENT

PAGE - FIGURE
7100.0 8500.0

M23z .. PASSENGER'S POWER WINDOW MOTOR/ INCREMENT SENSOR	In lower RH front door	
M37a .. AUXILIARY WATER PUMP	Rear LH side of engine compartment	
M55z .. DRIVER'S SEAT LUMBAR SUPPORT MOTOR/VALVE	In upper LH front seatback	
M56z .. PASSENGER'S SEAT LUMBAR SUPPORT MOTOR/VALVE	In upper RH front seatback	
M6360 . EML ACTUATOR MOTOR I	Front LH side of engine compartment	26-3
M6370 . EML ACTUATOR MOTOR II	Front RH side of engine compartment	26-3
M6506 . E-BOX FAN	Rear RH side of engine compartment in E-Box	28-3
M6510 . STARTER	In the engine compartment	
N1 ANTI-THEFT CONTROL MODULE (DWA)	Inside box on interior side of RH door sill	04-1
N1 ANTI-THEFT CONTROL MODULE (DWA)	Inside box on interior side of RH door sill	32-1
N2 FINAL STAGE UNIT	LH side of RH footwell	
N3 DIMMER	LH side of dash	
N6 HEADLIGHT/FOGLIGHT CLEANING MODULE (SRA)	Rear LH side of engine compartment In Front Power Distribution Box	06-1
N6 HEADLIGHT/FOGLIGHT CLEANING MODULE (SRA)	Rear LH side of engine compartment In Front Power Distribution Box	17-1
N8 ANTENNA AMPLIFIER AM/FM	In upper LH C-pillar	01-3
N8 ANTENNA AMPLIFIER AM/FM	In upper LH C-pillar	36-2
N9 RADIO	Center console	
N17 ... CRASH CONTROL MODULE	Rear LH side of engine compartment In Front Power Distribution Box	06-1



COMPONENT LOCATION CHART

COMPONENT

PAGE - FIGURE
7100.0 8500.0

N17 ...	CRASH CONTROL MODULE	Rear LH side of engine compartment in Front Power Distribution Box	17-3
N22 ...	CD CHANGER	In luggage compartment	
N4z ...	MULTI- INFORMATION DISPLAY (MID)	Center console	
N13y ..	REMOTE LOCKING RECEIVER	In rear view mirror	
N444 ..	FM AMPLIFIER HLO	In upper LH C-pillar	
P1	AUXILIARY RELAY BOX - ENGINE COMPARTMENT	LH side of engine compartment	18-3
P90 ...	FRONT POWER DISTRIBUTION BOX	Rear LH side of engine compartment	07-1
P90 ...	FRONT POWER DISTRIBUTION BOX	Rear LH side of engine compartment	23-2
P93 ...	E-BOX	Rear RH side of engine compartment	07-2
P93 ...	E-BOX	Rear RH side of engine compartment	27-3
P94 ...	REAR POWER DISTRIBUTION BOX	In LH side of luggage compartment	08-2
P94 ...	REAR POWER DISTRIBUTION BOX	In LH side of luggage compartment	40-3
R1	MIXING SWITCH	Center of dash	
R6	SEAT HEIGHT POTENTIOMETER	LH front seat	
R7	SEATBACK POTENTIOMETER	In lower LH front seatback	
R8	SEAT CUSHION REAR HEIGHT POTENTIOMETER	LH front seat	
R9	SEAT CUSHION MOVEMENT POTENTIOMETER	Under LH front seat	
R10 ...	PEDAL POSITION SENSOR	Below LH side of dash	31-3
R13 ...	HEADLIGHT WIDENING POTENTIOMETER	LH side of dash	
R15 ...	THIGH SUPPORT POTENTIOMETER	Under LH front seat	



COMPONENT LOCATION CHART

COMPONENT

PAGE - FIGURE
7100.0 8500.0

R24 ...	STEERING WHEEL ANGLE SENSOR	On steering column	
R18z ..	STEERING COLUMN LENGTH ADJUST POTENTIOMETER	Bottom of steering column	
R19z ..	STEERING COLUMN ANGLE ADJUST POTENTIOMETER	Bottom of steering column	
R6240 .	RESISTOR	RH front of engine	
R6252 .	THROTTLE POSITION SENSOR	Front of engine (840Ci)	20-3
R6253 .	AUXILIARY THROTTLE POSITION SENSOR ..	Front of engine (840Ci)	20-3
S2	IGNITION SWITCH	On steering column above right	
S3	AUTOMATIC TRANSMISSION RANGE SWITCH	Center console	
S4	HORN SWITCH	On steering wheel behind DRIVER'S AIR BAG GAS GENERATOR, G5	
S5	WIPER/WASHER SWITCH	On steering column	
S6	ASC SWITCH	Center console	34-1
S7	COMBINATION SWITCH	On steering column above left	
S8	LIGHT SWITCH	LH side of dash	
S10 ...	FOG LIGHT SWITCH	LH side of dash	
S11 ...	CRUISE CONTROL SWITCH (EML)	On steering column	
S12 ...	MEMORY MIRRORS CONTROL SWITCH	In upper LH front door	
S13 ...	PASSENGER'S DOOR JAMB SWITCH	In upper RH front door	
S14 ...	DRIVER'S DOOR JAMB SWITCH	In upper LH front door	



COMPONENT LOCATION CHART

COMPONENT

PAGE - FIGURE
7100.0 8500.0

S17 ...	MIRROR CONTROL SWITCH	In upper LH front door	
S18 ...	HAZARD SWITCH	Center console	
S19 ...	UNDERHOOD LIGHT SWITCH	Near LH headlight assembly	
S20 ...	RADIO ANTI-THEFT SWITCH (DWA)	Behind radio	
S21 ...	ENGINE HOOD SWITCH (DWA)	Near RH headlight assembly	
S26 ...	AUTOMATIC HEATING AND AIR CONDITIONING SWITCH (IHKA)	Center of dash	
S27 ...	INERTIA SWITCH	Behind LH footwell speaker grille 32-3
S30 ...	BRAKE LIGHT SWITCH	Below LH side of dash 31-2
S31 ...	PARK BRAKE SWITCH	Below front of console	
S32 ...	CLUTCH SWITCH	Behind LH footwell trim on clutch pedal support bracket	
S36 ...	TEMPERATURE SWITCH	Front RH side of engine compartment 23-3
S38 ...	SUNROOF SWITCH	Center of windshield header	
S45 ...	LEFT REAR WINDOW LIMIT SWITCH	Left from LH rear seat	
S46 ...	RIGHT REAR WINDOW LIMIT SWITCH	RH side of RH rear seat	
S47 ...	DRIVER'S DOOR LOCK SWITCH	LH front door behind door panel	
S48 ...	DRIVER'S DOOR HANDLE SWITCH	LH front door behind door panel	
S49 ...	PASSENGER'S DOOR LOCK SWITCH	RH front door	
S50 ...	DRIVER'S MEMORY SEAT ADJUSTMENT SWITCH	LH front seat	
S51 ...	DRIVER'S SEAT, SEAT CONTROL SWITCH	LH front seat	



COMPONENT LOCATION CHART

COMPONENT

PAGE - FIGURE
7100.0 8500.0

- S52 ... DRIVER'S SEAT LUMBAR SWITCH LH front seat
- S53 ... DRIVER'S SEAT, SEAT HEATER SWITCH LH front seat
- S54 ... PASSENGER'S SEAT, SEAT HEATER SWITCH RH front seat
- S55 ... PASSENGER'S SEAT LUMBAR SUPPORT
SWITCH RH front seat
- S56 ... PASSENGER'S SEAT, SEAT CONTROL
SWITCH RH front seat
- S57 ... MEMORY SEAT MIRRORS SWITCH LH front seat
- S58 ... DRIVER'S SEAT BELT SWITCH LH front seat
- S59 ... PASSENGER'S SEAT BELT SWITCH RH front seat
- S61 ... TRUNK LID SWITCH Underside of trunk lid
- S64 ... WASHER FLUID LEVEL SWITCH RH side of engine compartment on washer fluid reservoir 27-2
- S76 ... REAR WINDOW DEFOGGER SWITCH LH side of dash
- S77 ... DRIVER'S MAKEUP MIRROR SWITCH Above LH sun visor
- S78 ... PASSENGER'S MAKEUP MIRROR SWITCH .. Above RH sun visor
- S79 ... PASSENGER'S DOOR HANDLE SWITCH RH front door
- S89 ... DRIVER'S INSIDE DOOR HANDLE SWITCH .. In lower LH front door
- S8z ... LIGHT SWITCH LH side of dash
- S90 ... PASSENGER'S INSIDE DOOR HANDLE
SWITCH In upper RH front door
- S93 ... DRIVER'S THIGH SUPPORT SWITCH LH front seat
- S94 ... PASSENGER'S THIGH SUPPORT SWITCH ... RH front seat
- S96 ... AIR CONDITIONING PRESSURE SWITCH RH side of engine compartment under concealing headlight



COMPONENT LOCATION CHART

COMPONENT

PAGE - FIGURE
7100.0 8500.0

- S97 ... PASSENGER'S WINDOW SWITCH RH front door
- S99 ... PASSENGER'S WINDOW MONITORING SWITCH (DWA) In passenger's door
- S100 .. DRIVER'S WINDOW MONITORING SWITCH (DWA) In upper LH front door
- S101 .. RIGHT REAR WINDOW MONITORING SWITCH (DWA) RH side of RH rear seat behind trim panel
- S102 .. LEFT REAR WINDOW MONITORING SWITCH (DWA) Left from LH rear seat behind trim panel
- S103 .. RH DRIVER'S SEATBACK SWITCH LH front seat
- S104 .. LH DRIVER'S SEATBACK SWITCH LH front seat
- S105 .. EDC SWITCH Center console
- S110 .. SUN BLIND SWITCH Center console
- S113 .. GLOVE BOX LIGHT SWITCH II LH side of glove box
- S117 .. TRUNK LID LOCKING SWITCH Underside of trunk lid 44-2
- S118 .. GLOVE BOX CENTRAL LOCKING SWITCH ... LH side of glove box
- S121 .. RH PASSENGER'S SEATBACK SWITCH RH front seat
- S122 .. LH PASSENGER'S SEATBACK SWITCH RH front seat
- S136 .. WASHER FLUID LEVEL SWITCH In spare-wheel well 45-2
- S173 .. PROGRAM SELECTOR Center console
- S198 .. JET HEATER THERMOSWITCH In ventilation duct right
- S202 .. EML SWITCH Center console



COMPONENT LOCATION CHART

COMPONENT

PAGE - FIGURE
7100.0 8500.0

S37z	..	GLOVE BOX LIGHT SWITCH I	LH side of glove box	
S40z	..	WINDOW SWITCH	LH front door	
S119z	..	STEERING COLUMN POSITION SWITCH	On steering column above left	
S8507	..	KICK-DOWN SWITCH	RH side of LH footwell	
S8511	..	REVERSING LIGHT SWITCH	On RH side of transmission	
S8515	..	AUTOMATIC TRANSMISSION RANGE SWITCH	Center console	
S8517	..	PROGRAM SWITCH	Center console near gearshift lever	
S8518	..	TRANSMISSION RANGE SELECTOR LEVER LIGHT	Center console near gearshift lever	
S8522	..	SHIFT LOCK	Center console near gearshift lever	
T6151	..	CYL. 1 IGNITION COIL	RH cylinder head	
T6152	..	CYL. 2 IGNITION COIL	RH cylinder head	
T6153	..	CYL. 3 IGNITION COIL	RH cylinder head	
T6154	..	CYL. 4 IGNITION COIL	RH cylinder head	
T6155	..	CYL. 5 IGNITION COIL	LH cylinder head	
T6156	..	CYL. 6 IGNITION COIL	LH cylinder head	
T6157	..	CYL. 7 IGNITION COIL	LH cylinder head	
T6158	..	CYL. 8 IGNITION COIL	LH cylinder head	
T6151z	..	CYL. 1-6 IGNITION COIL	RH side of engine compartment	25-1
T6152z	..	CYL. 7-12 IGNITION COIL	LH side of engine compartment	18-3
V4	DAYTIME RUNNING LIGHTS CODING DIODE	Inside box on interior side of LH door sill	



COMPONENT LOCATION CHART

COMPONENT

PAGE - FIGURE
7100.0 8500.0

V5	DWA LED	Center console		
X0	CONNECTOR (1-PINS, (---))	LH footwell	07-3	
X0	CONNECTOR (1-PINS, (---))	LH footwell	29-3	
X2	BATTERY B+ START POINT	In Front Power Distribution Box		
X3	B+ JUNCTION POINT	In Front Power Distribution Box		
X7	CONNECTOR (55-PINS, NATURAL)	Inside box on interior side of LH door sill	29-1	00-2
X8	CONNECTOR (1-PINS, (---))	In LH auxiliary relay box, engine compartment	22-1	
X11	CONNECTOR (55-PINS, BLACK)	Inside box on interior side of LH door sill	29-1	00-2
X12	CONNECTOR (20-PINS, WHITE)	Below LH side of dash	30-2	02-1
X13	CONNECTOR (30-PINS, BLACK)	LH side of LH footwell	29-1	01-1
X14	CONNECTOR (30-PINS, WHITE)	LH side of LH footwell	29-1	01-1
X16	CONNECTOR (26-PINS, BLACK)	LH side of dash		01-2
X20	CONNECTOR (25-PINS, BLACK)	RH cylinder head (840Ci)	20-2	01-5
X20	CONNECTOR (25-PINS, GRAY)	Rear RH side of engine compartment	27-3	01-5
X21	CONNECTOR (25-PINS, BLACK)	LH side of engine (840Ci)	20-1	01-5
X21	CONNECTOR (25-PINS, BLUE)	Rear RH side of engine compartment	27-3	01-5
X22	CONNECTOR (26-PINS, BLUE)	In RH rear side of luggage compartment (840Ci)	46-3	01-2
X25	CONNECTOR (4-PINS, BLACK)	RH side of engine compartment on washer fluid reservoir	27-1	10-1
X27	CONNECTOR (1-PINS, (---))	In LH auxiliary relay box, engine compartment	22-1	
X31	CONNECTOR (12-PINS, BLACK)	LH side of engine compartment under concealing headlight		03-4



COMPONENT LOCATION CHART

COMPONENT

PAGE - FIGURE
7100.0 8500.0

X32 ... CONNECTOR (12-PINS, WHITE)	Below LH side of dash	31-1	04-3
X33 ... CONNECTOR (12-PINS, BLACK)	Below LH side of dash	31-1	04-3
X36 ... CONNECTOR (21-PINS, BLACK)	Below center console	34-3	01-6
X38 ... CONNECTOR (20-PINS, BLACK)	Below LH side of dash	30-2	02-1
X39 ... CONNECTOR (26-PINS, GREEN)	Below LH side of dash	30-1	01-2
X40 ... CONNECTOR (26-PINS, BROWN)	Below LH side of dash	30-1	01-2
X41 ... CONNECTOR (26-PINS, BLUE)	Below LH side of dash	30-1	01-2
X42 ... CONNECTOR (5-PINS, BLACK)	Below LH side of dash	30-1	08-4
X43 ... CONNECTOR (9-PINS, BLACK)	Rear LH side of engine compartment in Front Power Distribution Box		05-4
X46 ... GROUND	RH side of dash		
X52 ... CONNECTOR (9-PINS, BLACK)	Rear LH side of engine compartment in Front Power Distribution Box		05-4
X53 ... CONNECTOR (9-PINS, BLACK)	Rear LH side of engine compartment in Front Power Distribution Box		05-4
X54 ... CONNECTOR (9-PINS, BLACK)	Rear LH side of engine compartment in Front Power Distribution Box		05-4
X55 ... CONNECTOR (9-PINS, BLACK)	Rear LH side of engine compartment in Front Power Distribution Box		05-4
X57 ... CONNECTOR (9-PINS, BLACK)	Rear LH side of engine compartment in Front Power Distribution Box		05-4
X58 ... CONNECTOR (9-PINS, BLACK)	Rear LH side of engine compartment in Front Power Distribution Box		05-4
X61 ... CONNECTOR (9-PINS, BLACK)	Rear LH side of engine compartment in Front Power Distribution Box		05-4
X63 ... CONNECTOR (9-PINS, BLACK)	Rear LH side of engine compartment in Front Power Distribution Box		05-4
X64 ... CONNECTOR (9-PINS, BLACK)	Rear LH side of engine compartment in Front Power Distribution Box		05-4
X65 ... CONNECTOR (9-PINS, BROWN)	Rear LH side of engine compartment in Front Power Distribution Box		05-4



COMPONENT LOCATION CHART

COMPONENT

PAGE - FIGURE
7100.0 8500.0

X69 ... CONNECTOR (25-PINS, BLACK)	Rear RH side of engine compartment near shock tower (840Ci)	19-3	01-5
X69 ... CONNECTOR (25-PINS, BLACK)	Rear RH side of engine compartment	27-3	01-5
X70 ... CONNECTOR (8-PINS, BLACK)	Front LH side of engine compartment	19-1	05-5
X72 ... CONNECTOR (8-PINS, WHITE)	Below LH side of dash	31-1	06-3
X73 ... CONNECTOR (8-PINS, WHITE)	Below LH side of dash	31-3	06-4
X74 ... CONNECTOR (30-PINS, ORANGE)	Below RH side of dash	33-2	12-5
X76 ... CONNECTOR (8-PINS, BLACK)	Below LH side of dash		
X77 ... CONNECTOR (10-PINS, BLACK)	LH side of LH footwell	32-2	04-6
X78 ... CONNECTOR (4-PINS, BLACK)	Below LH side of dash	31-2	09-2
X82 ... CONNECTOR (3-PINS, BLACK)	Front of engine compartment on auxillary fan	16-3	11-4
X83 ... CONNECTOR (9-PINS, BLACK)	In Front Power Distribution Box		05-4
X85 ... CONNECTOR (3-PINS, BLACK)	Rear LH side of engine compartment	19-2	11-4
X87 ... CONNECTOR (3-PINS, BLACK)	Front RH side of engine compartment	23-3	11-4
X88 ... CONNECTOR (2-PINS, BLACK)	LH side of dash		
X95 ... CONNECTOR (3-PINS, BLACK)	Front of engine right (840Ci)	21-1	11-4
X101 .. CONNECTOR (2-PINS, BLACK)	On underside of engine hood left		
X102 .. CONNECTOR (1-PINS, (---))	Rear LH side of engine compartment	23-1	
X103 .. CONNECTOR (1-PINS, (---))	Rear LH side of engine compartment	23-2	
X105 .. CONNECTOR (2-PINS, GRAY)	On underside of engine hood left	16-2	
X106 .. CONNECTOR (2-PINS, GRAY)	On underside of engine hood		



COMPONENT LOCATION CHART

COMPONENT

PAGE - FIGURE
7100.0 8500.0

X107 ..	CONNECTOR (2-PINS, GRAY)	RH side of engine compartment on washer fluid reservoir	27-1	
X109 ..	CONNECTOR (2-PINS, BLACK)	RH side of engine compartment on washer fluid reservoir	27-2	
X110 ..	CONNECTOR (2-PINS, GRAY)	RH side of engine compartment on washer fluid reservoir		
X111 ..	CONNECTOR (2-PINS, BLACK)	Rear LH side of engine compartment		
X113 ..	CONNECTOR (3-PINS, WHITE)	RH front of wheel well		13-1
X114 ..	CONNECTOR (3-PINS, GRAY)	Behind LH front wheel		13-1
X118 ..	CONNECTOR (2-PINS, BLACK)	Behind LH front wheel	14-1	
X119 ..	CONNECTOR (2-PINS, BLACK)	Rear LH side of engine compartment near brake fluid reservoir	23-1	
X120 ..	CONNECTOR (2-PINS, BLACK)	Under LH front of car		
X121 ..	CONNECTOR (2-PINS, WHITE)	Below LH side of dash	31-2	
X122 ..	CONNECTOR (2-PINS, BLACK)	Rear LH side of engine compartment	19-2	
X126 ..	CONNECTOR (2-PINS, WHITE)	RH side of engine compartment under concealing headlight		
X128 ..	CONNECTOR (7-PINS, BLACK)	Near LH headlight assembly front of vehicle	12-3	06-6
X130 ..	CONNECTOR (7-PINS, BLACK)	Front LH side of engine compartment	19-1	06-6
X132 ..	CONNECTOR (2-PINS, BLACK)	Front of car		
X133 ..	CONNECTOR (2-PINS, BLACK)	Front of car		
X135 ..	CONNECTOR (7-PINS, BLACK)	Front RH side of engine compartment	27-2	06-6
X137 ..	CONNECTOR (7-PINS, BLACK)	Near RH headlight assembly front of vehicle	13-1	06-6
X142 ..	CONNECTOR (3-PINS, GRAY)	Behind LH rear wheel		13-1
X143 ..	CONNECTOR (3-PINS, GRAY)	Under RH rear of car	13-3	13-1



COMPONENT LOCATION CHART

COMPONENT

PAGE - FIGURE
7100.0 8500.0

X145	.. CONNECTOR (2-PINS, BLACK) LH side of engine compartment 24-1	
X161	.. CONNECTOR (2-PINS, BLACK) Near LH headlight assembly 12-1	
X165	.. GROUND Behind LH footwell speaker grille 11-1	
X167	.. GROUND LH side of engine compartment 09-2	
X168	.. CONNECTOR (1-PINS, BLACK) On steering column		
X170	.. CONNECTOR (1-PINS, (---)) Front LH side of engine compartment under concealing headlight		
X173	.. GROUND Front RH side of engine compartment (headlights removed) 09-3	
X252	.. CONNECTOR (26-PINS, BLACK) Inside box on interior side of RH door sill 32-1	01-2
X253	.. CONNECTOR (26-PINS, BLACK) Below LH side of dash 30-2	01-2
X254	.. CONNECTOR (26-PINS, YELLOW) Below LH side of dash 30-2	01-2
X256	.. CONNECTOR (26-PINS, BLACK) Ahead of RH front door		01-3
X257	.. CONNECTOR (26-PINS, BLACK) Ahead of LH front door		01-3
X258	.. CONNECTOR (20-PINS, BLACK) Inside box on interior side of LH door sill on RELAY MODULE, A5 29-2	02-1
X259	.. CONNECTOR (26-PINS, BLACK) Inside box on interior side of LH door sill on RELAY MODULE, A5 29-2	01-2
X263	.. CONNECTOR (26-PINS, WHITE) In RH side of luggage compartment 42-3	01-2
X272	.. CONNECTOR (6-PINS, BLACK) Left from LH rear seat behind trim panel		07-6
X275	.. CONNECTOR (12-PINS, WHITE) Underside of LH front seat 46-2	04-1
X279	.. CONNECTOR (12-PINS, WHITE) Under RH front seat		04-1
X280	.. CONNECTOR (9-PINS, BLACK) Rear LH side of engine compartment in Front Power Distribution Box		05-4
X281	.. CONNECTOR (9-PINS, BLACK) Rear LH side of engine compartment in Front Power Distribution Box		05-4



COMPONENT LOCATION CHART

COMPONENT

		PAGE - FIGURE	
		7100.0	8500.0
X283	CONNECTOR (4-PINS, BLACK)	Front LH side of engine compartment	19-1 09-4
X284	CONNECTOR (4-PINS, BLACK)	Front RH side of engine compartment	27-2 09-4
X287	CONNECTOR (9-PINS, BLACK)	In LH side of luggage compartment	05-4
X291	CONNECTOR (9-PINS, BLACK)	Rear LH side of engine compartment in Front Power Distribution Box	05-4
X292	CONNECTOR (9-PINS, BLACK)	In LH side of luggage compartment Power Distribution Box	05-4
X294	CONNECTOR (9-PINS, BLACK)	Rear Power Distribution Box in LH side of luggage compartment	05-4
X295	CONNECTOR (8-PINS, BLACK)	Below LH side of dash	31-1 06-3
X296	CONNECTOR (6-PINS, NATURAL)	In LH rear side of luggage compartment	41-2 07-6
X301	CONNECTOR (26-PINS, WHITE)	Inside box on interior side of RH door sill	32-1 01-2
X306	CONNECTOR (30-PINS, BLUE)	LH side of LH footwell	29-1 01-1
X307	GROUND	Behind LH footwell speaker grille	11-1
X307	GROUND	Behind LH footwell speaker grille	32-3
X310	CONNECTOR (6-PINS, BLACK)	Behind glove box right	07-6
X311	CONNECTOR (2-PINS, BLACK)	Rear of car	
X312	CONNECTOR (6-PINS, BLACK)	In RH rear side of luggage compartment	43-3 08-2
X316	CONNECTOR (6-PINS, WHITE)	In driver's door	39-1 07-2
X317	CONNECTOR (6-PINS, BLACK)	In passenger's door	07-2
X318	CONNECTOR (6-PINS, BLACK)	In RH rear side of luggage compartment	43-2 07-6
X319	CONNECTOR (6-PINS, BLACK)	In LH rear side of luggage compartment	41-2 07-6
X321	CONNECTOR (4-PINS, BLACK)	Below center console	34-3 09-6



COMPONENT LOCATION CHART

COMPONENT

PAGE - FIGURE
7100.0 8500.0

X322 .. CONNECTOR (8-PINS, BLACK)	Below center console	34-3	06-3
X331 .. CONNECTOR (5-PINS, BLACK)	Inside box on interior side of RH door sill	32-1	08-4
X332 .. CONNECTOR (26-PINS, WHITE)	Below LH side of dash	30-2	01-2
X333 .. CONNECTOR (12-PINS, BLACK)	Rear LH side of engine compartment	23-1	03-3
X335 .. CONNECTOR (4-PINS, BLACK)	Inside box on interior side of RH door sill	32-1	10-3
X336 .. CONNECTOR (4-PINS, WHITE)	Center of windshield header	35-2	09-3
X351 .. CONNECTOR (2-PINS, BLACK)	In passenger's door	38-1	
X352 .. CONNECTOR (2-PINS, BLACK)	In driver's door	38-1	
X355 .. CONNECTOR (2-PINS, BLACK)	Behind RH footwell trim		
X356 .. CONNECTOR (2-PINS, BLACK)	In upper LH C-pillar	36-2	
X371 .. CONNECTOR (2-PINS, BLACK)	Near RH headlight assembly	12-2	
X372 .. CONNECTOR (2-PINS, WHITE)	Behind RH fresh air cowl		
X379 .. CONNECTOR (1-PINS, BLACK)	In upper LH C-pillar	36-2	
X380 .. CONNECTOR (1-PINS, BLACK)	In upper RH C-pillar	36-3	
X381 .. CONNECTOR (2-PINS, BLACK)	In roof panel DRIVER'S MAKEUP MIRROR LIGHT, E35		
X382 .. CONNECTOR (2-PINS, BLACK)	In roof panel PASSENGER'S MAKEUP MIRROR LIGHT, E36		
X383 .. CONNECTOR (2-PINS, BLACK)	On differential	13-3	
X388 .. CONNECTOR (2-PINS, BLACK)	Behind LH footwell speaker grille	32-3	
X389 .. CONNECTOR (2-PINS, BLACK)	In LH front bumper LEFT FRONT AUXILIARY TURN LIGHT, H9		
X390 .. CONNECTOR (2-PINS, BLACK)	In RH front bumper RIGHT FRONT AUXILIARY TURN LIGHT, H8		



COMPONENT LOCATION CHART

COMPONENT

PAGE - FIGURE
7100.0 8500.0

X393 .. CONNECTOR (8-PINS, BLACK)	In LH rear side of luggage compartment behind trim panel	41-1	06-4
X394 .. CONNECTOR (12-PINS, BLACK)	Underside of LH front seat	46-2	04-3
X400 .. CONNECTOR (8-PINS, BLACK)	In LH rear side of luggage compartment	41-3	06-3
X401 .. CONNECTOR (2-PINS, BLACK)	Above LH sun visor		
X402 .. CONNECTOR (2-PINS, BLACK)	Above RH sun visor		
X405 .. CONNECTOR (3-PINS, BLUE)	Behind LH front wheel		11-1
X406 .. CONNECTOR (3-PINS, BLUE)	RH front of wheel well		11-1
X407 .. CONNECTOR (3-PINS, BLUE)	Behind LH rear wheel		11-1
X408 .. CONNECTOR (3-PINS, BLUE)	Under RH rear of car	13-3	11-1
X413 .. CONNECTOR (2-PINS, BLACK)	At back of rear window shelf		
X423 .. CONNECTOR (2-PINS, BLACK)	Below front of console		
X490 .. GROUND	Inside box on interior side of LH door sill	11-2	
X490 .. GROUND	Inside box on interior side of LH door sill	29-2	
X492 .. GROUND	Behind LH footwell speaker grille	11-1	
X492 .. GROUND	Behind LH footwell speaker grille	32-3	
X494 .. GROUND	In RH side of luggage compartment	10-3	
X494 .. GROUND	In RH side of luggage compartment	43-2	
X495 .. GROUND	Underside of RH rear seat		
X497 .. GROUND	In LH rear side of luggage compartment	10-2	
X497 .. GROUND	In LH rear side of luggage compartment	41-2	



COMPONENT LOCATION CHART

COMPONENT

PAGE - FIGURE
7100.0 8500.0

X500	.. CONNECTOR (1-PINS, (---)) In RH side of luggage compartment FUSIBLE LINK, F0		
X501	.. CONNECTOR (18-PINS, BLACK) Center console		02-3
X503	.. CONNECTOR (12-PINS, BLACK) LH side of dash		04-2
X504	.. CONNECTOR (12-PINS, BLACK) LH side of dash FOG LIGHT SWITCH, S10		04-2
X506	.. CONNECTOR (12-PINS, WHITE) Below center console	34-2	04-3
X509	.. CONNECTOR (9-PINS, WHITE) Below LH side of dash RIGHT PARK LIGHT/LICENSE PLATE LIGHT RELAY, K25		05-4
X511	.. CONNECTOR (8-PINS, BLACK) Near gearshift lever		06-4
X512	.. CONNECTOR (12-PINS, BLACK) Inside box on interior side of RH door sill	32-1	04-1
X514	.. CONNECTOR (4-PINS, BLACK) Center of dash		09-2
X516	.. CONNECTOR (5-PINS, BLACK) Center console		08-5
X517	.. CONNECTOR (4-PINS, BLACK) LH side of dash DIMMER, N3		09-2
X518	.. CONNECTOR (4-PINS, BLACK) Below RH side of dash under glove box	33-1	09-2
X521	.. CONNECTOR (6-PINS, BLUE) Center console	34-1	07-2
X522	.. CONNECTOR (3-PINS, WHITE) Below RH side of dash under glove box	33-1	10-6
X523	.. CONNECTOR (6-PINS, BLACK) Inside box on interior side of LH door sill		08-3
X529	.. CONNECTOR (6-PINS, BLACK) Center console		07-2
X531	.. CONNECTOR (2-PINS, WHITE) Center of dash FRONT CIGAR LIGHTER, E28		
X532	.. CONNECTOR (2-PINS, BLACK) Center of dash FRONT CIGAR LIGHTER LIGHT, E29		
X537	.. CONNECTOR (2-PINS, BLACK) LH front door behind door panel LEFT FRONT MIDRANGE SPEAKER, H55	36-1	
X538	.. CONNECTOR (2-PINS, BLACK) At back of rear window shelf RIGHT FRONT MIDRANGE SPEAKER, H54		



COMPONENT LOCATION CHART

COMPONENT

PAGE - FIGURE
7100.0 8500.0

X539 .. CONNECTOR (2-PINS, WHITE)	Below center console	34-2	
X540 .. CONNECTOR (2-PINS, BLACK)	RH side of dash behind glove box RH side of IHKA Plenum		
X541 .. CONNECTOR (1-PINS, BLACK)	RH side of glove box		
X542 .. CONNECTOR (2-PINS, BLACK)	RH side of dash behind glove box RH side of IHKA Plenum		
X543 .. CONNECTOR (3-PINS, BLACK)	Center of dash DASH LIGHT, E41		10-5
X546 .. CONNECTOR (2-PINS, WHITE)	Below center console	34-2	
X601 .. CONNECTOR (26-PINS, YELLOW)	Underside of LH front seat	46-2	01-4
X603 .. CONNECTOR (12-PINS, BLACK)	LH front seat DRIVER'S MEMORY SEAT ADJUSTMENT SWITCH, S50		04-4
X604 .. CONNECTOR (12-PINS, BLACK)	RH front seat PASSENGER'S SEAT, SEAT CONTROL SWITCH, S56		04-4
X605 .. CONNECTOR (12-PINS, BLACK)	In LH forward side of luggage compartment	44-1	04-1
X606 .. CONNECTOR (26-PINS, WHITE)	In LH forward side of luggage compartment	44-1	01-2
X607 .. CONNECTOR (12-PINS, WHITE)	Behind dashboard behind glove box	33-2	03-6
X610 .. CONNECTOR (26-PINS, WHITE)	Between front footwells		01-2
X611 .. CONNECTOR (26-PINS, BLACK)	Between front footwells		01-2
X612 .. CONNECTOR (26-PINS, BLUE)	Center of dash		01-2
X613 .. CONNECTOR (26-PINS, BLUE)	Between front footwells		01-2
X614 .. CONNECTOR (26-PINS, YELLOW)	Between front footwells		01-2
X621 .. CONNECTOR (10-PINS, BLACK)	Ahead of RH front door		05-3
X622 .. CONNECTOR (10-PINS, BLACK)	Ahead of LH front door		05-2
X623 .. CONNECTOR (10-PINS, BLACK)	In upper LH front door	38-2	05-1



COMPONENT LOCATION CHART

COMPONENT

PAGE - FIGURE
7100.0 8500.0

X624	CONNECTOR (10-PINS, BLACK)	In upper RH front door	38-2	05-1
X625	CONNECTOR (6-PINS, WHITE)	In driver's door behind door panel	39-1	08-2
X627	CONNECTOR (2-PINS, BLACK)	Center of windshield header		
X638	CONNECTOR (3-PINS, BLACK)	Under RH rear seat	37-2	11-4
X641	CONNECTOR (6-PINS, BLACK)	In lower RH side of front door		07-5
X643	CONNECTOR (6-PINS, BLUE)	Center of windshield header SUNROOF SWITCH, S38	35-2	08-2
X650	CONNECTOR (6-PINS, BLACK)	LH front seat MEMORY SEAT MIRRORS SWITCH, S57		07-2
X651	CONNECTOR (6-PINS, YELLOW)	LH front seat DRIVER'S SEAT, SEAT HEATER SWITCH, S53	34-1	07-2
X652	CONNECTOR (4-PINS, BLACK)	LH front seat DRIVER'S SEAT LUMBAR SWITCH, S52		09-2
X658	CONNECTOR (6-PINS, YELLOW)	RH front seat PASSENGER'S SEAT, SEAT HEATER SWITCH, S54	34-1	07-2
X659	CONNECTOR (4-PINS, BLACK)	RH front seat PASSENGER'S SEAT, SEAT HEATER SWITCH, S54		09-2
X660	CONNECTOR (6-PINS, BLACK)	In lower LH front door		07-5
X661	CONNECTOR (6-PINS, GRAY)	Behind center of dashboard left		08-1
X662	CONNECTOR (6-PINS, GRAY)	Below LH side of dash		08-1
X663	CONNECTOR (6-PINS, GRAY)	LH side of IHKA Plenum		08-1
X664	CONNECTOR (6-PINS, GRAY)	LH side of IHKA Plenum		08-1
X666	CONNECTOR (6-PINS, GRAY)	Center of dash left of radio		08-1
X667	CONNECTOR (6-PINS, GRAY)	Below LH side of dash		08-1
X668	CONNECTOR (6-PINS, GRAY)	LH side of RH footwell		08-1
X669	CONNECTOR (6-PINS, GRAY)	RH side of dash behind glove box		08-1



COMPONENT LOCATION CHART

COMPONENT

PAGE - FIGURE
7100 0 8500 0

X670	CONNECTOR (6-PINS, GRAY)	Behind center of dashboard right		08-1
X671	CONNECTOR (5-PINS, BLACK)	LH side of RH footwell		08-4
X672	CONNECTOR (4-PINS, BLACK)	In luggage compartment		09-5
X675	CONNECTOR (4-PINS, WHITE)	in luggage compartment		08-6
X676	CONNECTOR (4-PINS, BLACK)	In luggage compartment		08-6
X678	CONNECTOR (12-PINS, WHITE)	Underside of LH front seat	46-2	04-3
X679	CONNECTOR (2-PINS, WHITE)	Under LH rear seat	37-1	
X682	CONNECTOR (3-PINS, BLACK)	Center of dash		10-5
X684	CONNECTOR (3-PINS, BLACK)	RH front door right		11-4
X685	CONNECTOR (3-PINS, BLACK)	In upper LH front door left	38-3	11-4
X686	CONNECTOR (3-PINS, BLUE)	Underside of LH front seat	46-2	10-4
X687	CONNECTOR (3-PINS, BLUE)	LH front seat		10-4
X688	CONNECTOR (3-PINS, BLUE)	LH front seat		10-4
X690	CONNECTOR (3-PINS, BLUE)	Underside of LH front seat	46-2	10-4
X692	CONNECTOR (3-PINS, BLACK)	Center of dash		12-2
X700	CONNECTOR (2-PINS, BLACK)	Behind RH footwell kickpanel		
X701	CONNECTOR (2-PINS, BLACK)	Behind LH footwell speaker grille	32-3	
X706	CONNECTOR (2-PINS, BLACK)	Center console CASSETTE TAPE PLAYER LIGHT, E45		
X709	CONNECTOR (2-PINS, BLACK)	Underside of trunk lid LEFT LICENSE PLATE LIGHT, E43		
X710	CONNECTOR (2-PINS, BLACK)	Underside of trunk lid RIGHT LICENSE PLATE LIGHT, E44		



COMPONENT LOCATION CHART

COMPONENT

PAGE - FIGURE

7100 0 8500 0

X711	CONNECTOR (1-PINS, BLACK)	Underside of trunk lid TRUNK LID SWITCH, S61		
X712	CONNECTOR (1-PINS, BLACK)	Underside of trunk lid TRUNK LID LIGHT, E33		
X713	CONNECTOR (2-PINS, BLACK)	Behind RH rear wheel		
X714	CONNECTOR (4-PINS, BLACK)	RH side of RH rear seat behind trim panel	37-3	09-2
X715	CONNECTOR (2-PINS, BLACK)	Left from LH rear seat behind trim panel	37-3	
X720	CONNECTOR (4-PINS, BLACK)	Left from LH rear seat behind trim panel		09-2
X721	CONNECTOR (2-PINS, BLACK)	RH side of RH rear seat behind trim panel		
X726	CONNECTOR (2-PINS, BLACK)	Under LH front seat		
X727	CONNECTOR (2-PINS, WHITE)	Under LH front seat		
X728	CONNECTOR (2-PINS, WHITE)	Under LH front seat		
X729	CONNECTOR (2-PINS, BLACK)	In lower LH front seatback		
X734	CONNECTOR (2-PINS, BLACK)	Under RH front seat		
X735	CONNECTOR (2-PINS, WHITE)	Under RH front seat		
X736	CONNECTOR (2-PINS, BLACK)	In lower RH front seatback		
X737	CONNECTOR (2-PINS, WHITE)	Under RH front seat		
X742	CONNECTOR (2-PINS, YELLOW)	RH front door		
X744	CONNECTOR (6-PINS, BLACK)	In lower RH side of front door		07-5
X745	CONNECTOR (2-PINS, BLACK)	In upper RH C-pillar	36-3	
X746	CONNECTOR (2-PINS, BLACK)	In upper RH front door		
X747	CONNECTOR (2-PINS, YELLOW)	In upper LH front door left	38-3	



COMPONENT LOCATION CHART

COMPONENT

			PAGE - FIGURE	
			7100 0	8500 0
X748	CONNECTOR (2-PINS, WHITE)	In lower LH front door behind door panel	36-1	
X749	CONNECTOR (6-PINS, BLACK)	In lower LH front door	39-2	07-5
X751	CONNECTOR (2-PINS, WHITE)	In upper LH front door left	38-3	
X752	CONNECTOR (2-PINS, GRAY)	In upper LH front door left	38-3	
X753	CONNECTOR (2-PINS, BLACK)	In lower LH front door behind door panel	36-1	
X770	CONNECTOR (2-PINS, YELLOW)	In ventilation duct left	24-3	
X771	CONNECTOR (2-PINS, BLACK)	RH side of LH footwell		
X772	CONNECTOR (2-PINS, WHITE)	Center console left behind radio		
X773	CONNECTOR (2-PINS, WHITE)	Center console right behind radio		
X774	CONNECTOR (2-PINS, GRAY)	Behind center of cowl under RH side of windshield		
X778	CONNECTOR (3-PINS, BLACK)	Underside of LH front seat		10-5
X779	CHARGING SOCKET	LH side of glove box		
X782	CONNECTOR (3-PINS, ORANGE)	Below RH side of dash		11-6
X816	CONNECTOR (1-PINS, BLACK)	Behind center of cowl		
X817	CONNECTOR (1-PINS, BLACK)	Behind center of cowl		
X818	GROUND	Below LH side of dash	11-3	
X818	GROUND	Below LH side of dash	31-3	
X848	CONNECTOR (4-PINS, GREEN)	At back of rear window shelf	14-3	10-3
X881	CONNECTOR (6-PINS, WHITE)	RH front seat PASSENGER'S THIGH SUPPORT SWITCH, S94		08-2
X882	CONNECTOR (2-PINS, BLACK)	Under LH front seat		



COMPONENT LOCATION CHART

COMPONENT

PAGE - FIGURE
7100.0 8500.0

X883	.. CONNECTOR (2-PINS, BLACK)	Under RH front seat		
X884	.. CONNECTOR (3-PINS, BLUE)	Under LH front seat		10-4
X886	.. CONNECTOR (6-PINS, WHITE)	LH front seat DRIVER'S THIGH SUPPORT SWITCH, S93		08-2
X887	.. CONNECTOR (26-PINS, BLACK)	In driver's door	39-3	01-2
X889	.. CONNECTOR (26-PINS, WHITE)	In passenger's door	39-3	01-2
X898	.. CONNECTOR (6-PINS, BLACK)	Center of dash REAR WINDOW DEFOGGER SWITCH, S76		07-2
X909	.. CONNECTOR (2-PINS, GRAY)	RH front door right		
X916	.. CONNECTOR (5-PINS, BLACK)	Center of windshield header	35-1	08-4
X917	.. CONNECTOR (6-PINS, BLACK)	Center of windshield header	35-1	07-2
X924	.. CONNECTOR (6-PINS, BLACK)	Underside of trunk lid left	44-3	07-6
X925	.. CONNECTOR (6-PINS, BLACK)	Underside of trunk lid right	44-3	07-6
X932	.. CONNECTOR (2-PINS, GRAY)	In driver's door	38-1	
X933	.. CONNECTOR (2-PINS, GRAY)	In passenger's door	38-1	
X936	.. CONNECTOR (2-PINS, WHITE)	In driver's door	39-3	
X937	.. CONNECTOR (2-PINS, WHITE)	In passenger's door	39-3	
X941	.. CONNECTOR (9-PINS, BLACK)	Rear LH side of engine compartment in Front Power Distribution Box		05-4
X945	.. CONNECTOR (10-PINS, WHITE)	In RH side of luggage compartment	42-3	04-6
X947	.. CONNECTOR (6-PINS, BLACK)	Center console	35-3	07-2
X949	.. CONNECTOR (5-PINS, BLACK)	At back of rear window shelf	14-3	08-4
X998	.. CONNECTOR (2-PINS, NATURAL)	LH front seat RH DRIVER'S SEATBACK SWITCH, S103		



COMPONENT LOCATION CHART

COMPONENT

PAGE - FIGURE
7100.0 8500.0

X999	..	CONNECTOR (2-PINS, WHITE)	RH front seat LH DRIVER'S SEATBACK SWITCH, S104		
X1001	.	CONNECTOR (4-PINS, NATURAL)	In RH rear side of luggage compartment	43-1	09-2
X1002	.	CONNECTOR (4-PINS, NATURAL)	In LH rear side of luggage compartment	41-3	09-2
X1003	.	CONNECTOR (12-PINS, BLACK)	Below center console	34-3	04-3
X1010	.	CONNECTOR (2-PINS, BLACK)	RH side of engine compartment under concealing headlight		
X1011	.	CONNECTOR (2-PINS, GRAY)	RH side of engine compartment on washer fluid reservoir	27-2	
X1021	.	CONNECTOR (9-PINS, BLACK)	Rear LH side of engine compartment in Front Power Distribution Box		05-4
X1165	.	GROUND	Front LH side of engine compartment		
X1178	.	CONNECTOR (2-PINS, BLACK)	Near gearshift lever		
X1193	.	CONNECTOR (3-PINS, BLACK)	Below center console		
X1204	.	CONNECTOR (2-PINS, WHITE)	Left from LH rear seat behind trim panel	37-3	
X1205	.	CONNECTOR (2-PINS, WHITE)	RH side of RH rear seat behind trim panel		
X1229	.	CONNECTOR (4-PINS, BLACK)	Center of dash behind radio		10-3
X1230	.	CONNECTOR (4-PINS, WHITE)	Left from LH rear seat behind trim panel	37-3	09-3
X1372	.	CONNECTOR (2-PINS, BLACK)	LH side of glove box		
X1375	.	CONNECTOR (2-PINS, BLACK)	LH side of glove box left		
X1376	.	CONNECTOR (9-PINS, BLACK)	Rear Power Distribution Box		05-4
X1377	.	CONNECTOR (2-PINS, BLACK)	Underside of trunk lid	44-2	
X1426	.	CONNECTOR (1-PINS, BROWN)	Below RH side of dash		
X1439	.	CONNECTOR (2-PINS, BLACK)	Center console		



COMPONENT LOCATION CHART

COMPONENT

PAGE - FIGURE
7100.0 8500.0

X3210 . CONNECTOR (26-PINS, BLUE)	Behind RH footwell speaker grille	33-3	01-4
X3211 . CONNECTOR (4-PINS, BLACK)	Front LH side of engine compartment	16-3	10-2
X6000 . CONNECTOR (88-PINS, BLACK)	In E-Box (840Ci)	21-3	00-1
X6002 . CONNECTOR (20-PINS, BLACK)	Rear RH side of engine compartment near shock tower (840Ci)	19-3	02-2
X6002 . CONNECTOR (20-PINS, BLACK)	RH side of engine compartment	25-2	02-2
X6004 . CONNECTOR (55-PINS, BLACK)	Rear RH side of engine compartment in E-Box	28-1	00-2
X6010 . CONNECTOR (88-PINS, BLACK)	Rear RH side of engine compartment in E-Box	28-1	00-1
X6020 . CONNECTOR (88-PINS, BLACK)	Rear RH side of engine compartment in E-Box	28-1	00-1
X6099 . CONNECTOR (1-PINS, BLACK)	Front of engine left		
X6101 . CONNECTOR (2-PINS, BLACK)	RH cylinder head (840Ci)		
X6101 . CONNECTOR (2-PINS, BLACK)	RH side of engine		
X6102 . CONNECTOR (2-PINS, BLACK)	RH cylinder head (840Ci)		
X6102 . CONNECTOR (2-PINS, BLACK)	RH side of engine		
X6103 . CONNECTOR (2-PINS, BLACK)	RH cylinder head (840Ci)		
X6103 . CONNECTOR (2-PINS, BLACK)	RH side of engine		
X6104 . CONNECTOR (2-PINS, BLACK)	RH cylinder head (840Ci)		
X6104 . CONNECTOR (2-PINS, BLACK)	RH side of engine		
X6105 . CONNECTOR (2-PINS, BLACK)	LH cylinder head (840Ci)		
X6105 . CONNECTOR (2-PINS, BLACK)	RH side of engine		
X6106 . CONNECTOR (2-PINS, BLACK)	LH cylinder head (840Ci)		



COMPONENT LOCATION CHART

COMPONENT

PAGE - FIGURE
7100.0 8500.0

X6106 . CONNECTOR (2-PINS, BLACK)	RH side of engine		
X6107 . CONNECTOR (2-PINS, BLACK)	LH cylinder head (840Ci)		
X6107 . CONNECTOR (2-PINS, BLACK)	LH side of engine		
X6108 . CONNECTOR (2-PINS, BLACK)	LH cylinder head (840Ci)		
X6108 . CONNECTOR (2-PINS, BLACK)	LH side of engine		
X6109 . CONNECTOR (2-PINS, BLACK)	LH side of engine		
X6110 . CONNECTOR (2-PINS, BLACK)	LH side of engine		
X6111 . CONNECTOR (2-PINS, BLACK)	LH side of engine		
X6112 . CONNECTOR (2-PINS, BLACK)	LH side of engine		
X6120 . CONNECTOR (2-PINS, BLACK)	Front of engine (840Ci)	21-1	
X6121 . CONNECTOR (2-PINS, BLACK)	RH side of engine compartment under air filter	25-2	
X6122 . CONNECTOR (2-PINS, WHITE)	RH side of engine compartment under air filter	25-2	
X6130 . CONNECTOR (3-PINS, GRAY)	Front of engine (840Ci)	20-3	12-1
X6151 . CONNECTOR (3-PINS, BLACK)	RH cylinder head (840Ci)		13-6
X6152 . CONNECTOR (3-PINS, BLACK)	RH cylinder head (840Ci)		13-6
X6153 . CONNECTOR (3-PINS, BLACK)	RH cylinder head (840Ci)		13-6
X6154 . CONNECTOR (3-PINS, BLACK)	RH cylinder head (840Ci)		13-6
X6155 . CONNECTOR (3-PINS, BLACK)	LH cylinder head (840Ci)		13-6
X6156 . CONNECTOR (3-PINS, BLACK)	LH cylinder head (840Ci)		13-6
X6157 . CONNECTOR (3-PINS, BLACK)	LH cylinder head (840Ci)		13-6



COMPONENT LOCATION CHART

COMPONENT

PAGE - FIGURE
7100.0 8500.0

X6158	CONNECTOR (3-PINS, BLACK)	LH cylinder head (840Ci)		13-6
X6203	CONNECTOR (3-PINS, BLACK)	RH cylinder head (840Ci)	20-2	
X6204	CONNECTOR (3-PINS, BLACK)	LH cylinder head (840Ci)	20-1	
X6210	CONNECTOR (4-PINS, BLACK)	On catalytic converter under center of car	15-3	10-1
X6210	CONNECTOR (4-PINS, BLACK)	On catalytic converter under center of car	22-3	10-1
X6211	CONNECTOR (3-PINS, GRAY)	Front of engine left	25-3	12-1
X6212	CONNECTOR (3-PINS, BLACK)	Front of engine compartment	25-3	12-1
X6215	CONNECTOR (2-PINS, BLACK)	Front of engine (840Ci)	20-2	
X6216	CONNECTOR (7-PINS, BLACK)	LH side of engine compartment	24-2	06-5
X6217	CONNECTOR (4-PINS, BLACK)	Front of engine	22-2	10-1
X6220	CONNECTOR (4-PINS, BLACK)	On catalytic converter under center of car	15-3	10-1
X6220	CONNECTOR (4-PINS, BLACK)	On catalytic converter under center of car	22-3	10-1
X6221	CONNECTOR (3-PINS, BLACK)	Front of engine	25-3	12-1
X6222	CONNECTOR (3-PINS, GRAY)	Front of engine	25-3	12-1
X6225	CONNECTOR (2-PINS, BLACK)	Rear of engine		
X6226	CONNECTOR (7-PINS, BLACK)	RH side of engine compartment		06-5
X6230	CONNECTOR (3-PINS, BLACK)	Under LH front of car	15-1	12-1
X6232	CONNECTOR (2-PINS, BLACK)	RH side of engine rear (840Ci)	21-2	
X6234	CONNECTOR (2-PINS, WHITE)	On coolant inlet		
X6235	CONNECTOR (2-PINS, BLACK)	Rear RH side of engine compartment in E-Box	28-3	



COMPONENT LOCATION CHART

COMPONENT

PAGE - FIGURE
7100.0 8500.0

X6236 . CONNECTOR (2-PINS, WHITE)	RH side of engine rear (840Ci)	21-2	12-1
X6241 . CONNECTOR (2-PINS, BLACK)	RH cylinder head (840Ci)	20-2	
X6242 . CONNECTOR (2-PINS, BLACK)	RH cylinder head (840Ci)	20-2	
X6243 . CONNECTOR (2-PINS, BLACK)	LH cylinder head (840Ci)	20-1	
X6244 . CONNECTOR (2-PINS, BLACK)	LH cylinder head (840Ci)	20-1	
X6252 . CONNECTOR (3-PINS, BLACK)	Front of engine (840Ci)	20-3	12-1
X6253 . CONNECTOR (3-PINS, BLACK)	Front of engine (840Ci)	20-3	12-1
X6300 . CONNECTOR (9-PINS, BLACK)	In E-Box		05-4
X6301 . CONNECTOR (9-PINS, BLACK)	In E-Box		05-4
X6303 . CONNECTOR (9-PINS, BLACK)	In E-Box		05-4
X6310 . CONNECTOR (9-PINS, WHITE)	Rear RH side of engine compartment in E-Box		05-4
X6311 . CONNECTOR (9-PINS, YELLOW)	Rear RH side of engine compartment in E-Box		05-4
X6320 . CONNECTOR (9-PINS, WHITE)	Rear RH side of engine compartment in E-Box		05-4
X6321 . CONNECTOR (9-PINS, YELLOW)	Rear RH side of engine compartment in E-Box		05-4
X6360 . CONNECTOR (8-PINS, BLACK)	Front of engine left	26-3	05-5
X6370 . CONNECTOR (8-PINS, BLACK)	Front RH side of engine compartment	26-3	05-5
X6400 . B+ JUNCTION POINT	Rear RH side of engine compartment in E-Box	07-2	
X6400 . B+ JUNCTION POINT	In E-Box (840Ci)	21-3	
X6400 . B+ JUNCTION POINT	Rear RH side of engine compartment in E-Box	28-2	



COMPONENT LOCATION CHART

COMPONENT

PAGE - FIGURE
7100.0 8500.0

X6401 . B+ JUNCTION POINT Behind rear panel in the luggage compartment in RH side of luggage compartment behind side panel		
X6402 . GROUND In LH rear side of luggage compartment behind trim panel	41-1	
X6403 . CONNECTOR (1-PINS, (---)) In RH rear side of luggage compartment (840Ci)	46-3	
X6405 . GROUND In RH side of luggage compartment	10-1	
X6405 . GROUND In RH side of luggage compartment	42-2	
X6406 . B+ In RH side of luggage compartment	08-1	
X6406 . B+ In RH side of luggage compartment	42-2	
X6452 . GROUND Rear RH side of engine compartment near shock tower	09-1	
X6452 . GROUND Rear RH side of engine compartment near shock tower (840Ci)	19-3	
X6452 . GROUND Rear RH side of engine compartment near shock tower	27-3	
X6453 . GROUND Rear RH side of engine compartment near shock tower	09-1	
X6453 . GROUND RH side of engine rear (840Ci)	21-2	
X6453 . GROUND Rear RH side of engine compartment near shock tower	27-3	
X6506 . CONNECTOR (4-PINS, BLACK) Rear RH side of engine compartment in E-Box	28-3	09-2
X6510 . CONNECTOR (1-PINS, (---)) At starter		
X6511 . CONNECTOR (1-PINS, (---)) At starter		
X6512 . CONNECTOR (1-PINS, (---)) At starter		
X6519 . CONNECTOR (1-PINS, (---)) At generator		
X7151 . CONNECTOR (1-PINS, (---)) RH side of engine compartment	25-1	



COMPONENT LOCATION CHART

COMPONENT

			PAGE - FIGURE	
			7100 0	8500 0
X7152	CONNECTOR (1-PINS, (---))	LH side of engine compartment	18-3	
X7512	B+ JUNCTION POINT	Rear LH side of engine compartment	07-1	
X7512	B+ JUNCTION POINT	Rear LH side of engine compartment	19-2	
X7519	CONNECTOR (1-PINS, BLACK)	LH side of engine compartment below intake manifold		
X8151	CONNECTOR (1-PINS, (---))	RH side of engine compartment	25-1	
X8152	CONNECTOR (1-PINS, (---))	LH side of engine compartment	18-3	
X8500	CONNECTOR (35-PINS, NATURAL)	In RH rear side of luggage compartment		00-3
X8505	CONNECTOR (16-PINS, BLACK)	On RH side of transmission	22-3	13-5
X8505	CONNECTOR (8-PINS, BLACK)	Under center of car		06-1
X8507	CONNECTOR (1-PINS, BLACK)	RH side of LH footwell		
X8509	CONNECTOR (8-PINS, BLACK)	Center console near gearshift lever	34-1	06-4
X8511	CONNECTOR (2-PINS, BLACK)	On RH side of transmission	15-3	
X8517	CONNECTOR (6-PINS, WHITE)	Center console near gearshift lever	34-2	07-2
X8518	CONNECTOR (3-PINS, BLACK)	Center console near gearshift lever		10-5
X8522	CONNECTOR (2-PINS, BLACK)	Center console		
X8600	CONNECTOR (88-PINS, BLACK)	In E-Box (840Ci)	21-3	00-1
X9423	CONNECTOR (2-PINS, BLACK)	Below front of console		
X10006	CONNECTOR (1-PINS, BLACK)	RH side of glove box above		
X10039	CONNECTOR (10-PINS, BLACK)	Rear LH side of engine compartment In Front Power Distribution Box		04-5
X10040	CONNECTOR (10-PINS, BLACK)	Rear LH side of engine compartment In Front Power Distribution Box		04-5



COMPONENT LOCATION CHART

COMPONENT

PAGE - FIGURE
7100.0 8500.0

X10041	CONNECTOR (10-PINS, BLACK)	Rear LH side of engine compartment In Front Power Distribution Box	04-5
X10042	CONNECTOR (10-PINS, BLACK)	Rear LH side of engine compartment In Front Power Distribution Box	04-5
X10044	CONNECTOR (9-PINS, BLACK)	Rear LH side of engine compartment In Front Power Distribution Box	05-4
X10045	CONNECTOR (9-PINS, BLACK)	Rear LH side of engine compartment In Front Power Distribution Box	05-4
X10046	CONNECTOR (2-PINS, BLACK)	In spare-wheel well	45-2
X10047	CONNECTOR (9-PINS, BLACK)	Rear LH side of engine compartment In Front Power Distribution Box	05-4
X10051	CONNECTOR (4-PINS, BLACK)	LH side of dash	09-6
X10052	CONNECTOR (1-PINS, BLACK)	Rear LH side of engine compartment	23-1
X10053	CONNECTOR (1-PINS, BLACK)	Rear LH side of engine compartment	23-2
X10058	CONNECTOR (1-PINS, YELLOW)	LH footwell	29-3
X10094	CONNECTOR (2-PINS, BLACK)	Front LH side of engine compartment	19-1
X10094	CONNECTOR (2-PINS, BLACK)	LH side of engine compartment	
X10195	CONNECTOR (3-PINS, BLACK)	On steering wheel	11-5
X10218	CONNECTOR (3-PINS, NATURAL)	In passenger's seat area	10-5
X11244	CONNECTOR (2-PINS, BLACK)	In ventilation duct right	
X11257	CONNECTOR (1-PINS, (---))	In LH auxiliary relay box, engine compartment	22-1
X13001	CONNECTOR (9-PINS, BLACK)	Rear Power Distribution Box CONSUMER CUT-OFF RELAY I, K72	05-4
X13008	CONNECTOR (2-PINS, WHITE)	Under RH rear seat	37-2
X13015	CONNECTOR (9-PINS, BLACK)	In LH side of luggage compartment CONSUMER CUT-OFF RELAY II, K73	05-4
X13017	CONNECTOR (1-PINS, BLACK)	In upper LH C-pillar	36-2



COMPONENT LOCATION CHART

COMPONENT

			PAGE - FIGURE	
			7100 0	8500 0
X13018	CONNECTOR (1-PINS, BLACK)	In upper RH C-pillar	36-3	
X13027	CONNECTOR (1-PINS, BLACK)	Underside of trunk lid TRUNK LID SWITCH, S61		
X13049	CONNECTOR (1-PINS, BROWN)	In upper LH C-pillar	36-2	
X13052	CONNECTOR (10-PINS, BLACK)	LH side of LH footwell	32-2	04-5
X13109	CONNECTOR (6-PINS, BLACK)	Under LH front seat		07-3
X13110	CONNECTOR (6-PINS, BLACK)	Under RH front seat		07-3
X13139	CONNECTOR (10-PINS, BLACK)	In rear view mirror		05-1
X13167	CONNECTOR (9-PINS, BLACK)	Below LH side of dash		05-4
X13280	CONNECTOR (3-PINS, BLACK)	Center console		10-5
X18024	CONNECTOR (6-PINS, BLACK)	LH side of engine compartment		07-5
X18025	CONNECTOR (4-PINS, BLACK)	LH side of engine compartment		10-2
X18029	CONNECTOR (4-PINS, BLACK)	LH footwell		09-1
X18031	CONNECTOR (3-PINS, BLACK)	RH front of wheel well above	16-1	10-6
X18055	CONNECTOR (12-PINS, BLACK)	Below center console	34-2	04-3
X18066	CONNECTOR (3-PINS, WHITE)	In RH rear side of luggage compartment	42-1	11-5
X18067	CONNECTOR (3-PINS, WHITE)	In LH forward side of luggage compartment behind trim panel	40-3	11-2
X18068	CONNECTOR (9-PINS, BLACK)	In RH side of luggage compartment		05-4
X18080	CONNECTOR (1-PINS, BLACK)	Underside of trunk lid TRUNK LID LIGHT, E33		
X18093	CONNECTOR (6-PINS, BLACK)	LH side of dash	31-1	07-3
X18094	CONNECTOR (3-PINS, BLUE)	Bottom of steering column		10-4



COMPONENT LOCATION CHART

COMPONENT

PAGE - FIGURE
7100.0 8500.0

X18095	CONNECTOR (3-PINS, BLUE)	Bottom of steering column		10-4
X18096	CONNECTOR (2-PINS, BLACK)	Bottom of steering column		
X18097	CONNECTOR (2-PINS, BLACK)	Bottom of steering column		
X18098	CONNECTOR (5-PINS, BLACK)	Behind dashboard behind radio		08-4
X18099	CONNECTOR (12-PINS, BLACK)	Behind dashboard behind radio		13-2
X18124	CONNECTOR (2-PINS, WHITE)	Under RH front seat		
X18125	CONNECTOR (2-PINS, WHITE)	Under RH front seat		
X18126	CONNECTOR (17-PINS, BLACK)	Center console		02-4
X18131	CONNECTOR (12-PINS, WHITE)	Center of dash behind radio		03-5
X18135	CONNECTOR (4-PINS, WHITE)	In upper LH front seatback		09-3
X18138	CONNECTOR (4-PINS, WHITE)	In upper RH front seatback		09-3
X18145	CONNECTOR (2-PINS, BLACK)	Under rear of car	13-3	
X18146	CONNECTOR (2-PINS, BLACK)	Under RH rear of car	13-3	
X18165	CONNECTOR (3-PINS, BLACK)	Underside of RH front seat		10-5
X18166	CONNECTOR (2-PINS, BLACK)	In upper LH front door DRIVER'S DOOR PANEL LIGHT, E78		
X18167	CONNECTOR (2-PINS, BLACK)	In upper RH front door PASSENGER'S DOOR PANEL LIGHT, E79		
X18170	GROUND	Inside box on interior side of LH door sill	11-2	
X18170	GROUND	Inside box on interior side of LH door sill	29-2	
X18171	CONNECTOR (10-PINS, BLACK)	In upper LH front door DRIVER'S SIDE MEMORY MIRROR, Y9	38-2	05-1
X18172	CONNECTOR (10-PINS, BLACK)	In upper RH front door	38-2	05-1



COMPONENT LOCATION CHART

COMPONENT

			PAGE - FIGURE	
			7100 0	8500 0
X18173	CONNECTOR (6-PINS, BLACK)	In upper LH front door		07-2
X18177	CONNECTOR (2-PINS, GRAY)	In spare-wheel well	45-2	
X18178	CONNECTOR (4-PINS, BLACK)	Underside of LH front seat		09-6
X18179	CONNECTOR (4-PINS, BLACK)	Under RH front seat		09-6
X18180	CONNECTOR (3-PINS, NATURAL)	In RH rear side of luggage compartment (840Ci)	46-3	12-2
X18219	CONNECTOR (12-PINS, BLACK)	In RH rear side of luggage compartment	46-1	03-5
X18220	CONNECTOR (18-PINS, BLACK)	In RH rear side of luggage compartment	46-1	02-3
X18221	CONNECTOR (18-PINS, NATURAL)	In RH rear side of luggage compartment	46-1	02-3
X18222	CONNECTOR (12-PINS, NATURAL)	In RH rear side of luggage compartment	46-1	03-5
X18223	CONNECTOR (25-PINS, BLACK)	Under rear of car	13-2	01-5
X18224	CONNECTOR (9-PINS, BLACK)	In RH rear side of luggage compartment	45-3	05-4
X18225	CONNECTOR (9-PINS, BLACK)	In RH rear side of luggage compartment	45-3	05-4
X18229	CONNECTOR (4-PINS, YELLOW)	On steering column		09-1
X18230	CONNECTOR (4-PINS, BLACK)	In spare-wheel well	45-1	09-2
X18231	CONNECTOR (2-PINS, WHITE)	In spare-wheel well	45-1	
X18246	CONNECTOR (3-PINS, YELLOW)	Center of windshield header		12-4
X18319	CONNECTOR (18-PINS, BLACK)	Under LH front seat		02-3
X18320	CONNECTOR (26-PINS, WHITE)	Under LH front seat		01-2
X18321	CONNECTOR (10-PINS, BLACK)	Under LH front seat		05-2
X18322	CONNECTOR (26-PINS, BLACK)	Under LH front seat		01-2



COMPONENT LOCATION CHART

COMPONENT

		PAGE - FIGURE	
		7100.0	8500.0
X18323	CONNECTOR (4-PINS, BLACK)	Under LH front seat	10-3
X18324	CONNECTOR (6-PINS, BLUE)	Under LH front seat	08-3
X18331	CONNECTOR (6-PINS, GREEN)	Center console	35-3 07-2
X18500	CONNECTOR (25-PINS, BLACK)	In LH forward side of luggage compartment	44-1 13-4
X18507	CONNECTOR (4-PINS, BLACK)	Center console	09-2
X18509	CONNECTOR (8-PINS, BLACK)	Center console	13-3
X18514	CONNECTOR (2-PINS, NATURAL)	Footwell, driver's side	
X18515	CONNECTOR (2-PINS, NATURAL)	Behind LH footwell speaker grille	32-3
X18736	CONNECTOR (1-PINS, BLUE)	Inside box on interior side of LH door sill	
X18741	CONNECTOR (4-PINS, BLACK)	Center of dash	09-1
X18742	CONNECTOR (2-PINS, BLACK)	Under rear of car	13-2
X18757	CONNECTOR (3-PINS, WHITE)	Left from LH rear seat behind trim panel	37-3 10-6
X18766	CONNECTOR (9-PINS, BLACK)	In auxiliary relay box LH front of engine compartment	05-4
X18767	CONNECTOR (9-PINS, BLACK)	In auxiliary relay box LH front of engine compartment	05-4
X19529	CONNECTOR (8-PINS, BLACK)	In lower RH front door	06-1
X19535	CONNECTOR (1-PINS, (---))	In LH auxiliary relay box, engine compartment	22-1
Y1	ABS HYDRAULIC UNIT	Front LH side of engine compartment under concealing headlight	24-3
Y3	AIR CONDITIONING COMPRESSOR (IHKA) . .	Front RH side of engine compartment under air filter	
Y4	WATER VALVE ASSEMBLY	Rear LH side of engine compartment	19-2
Y5	DRIVER'S SIDE MIRROR	In upper LH front door	

12/94
7000.0-49
1994



COMPONENT LOCATION CHART

COMPONENT

PAGE - FIGURE
7100.0 8500.0

Y6 PASSENGER'S SIDE MIRROR In upper RH front door	
Y9 DRIVER'S SIDE MEMORY MIRROR In upper LH front door	
Y10	... PASSENGER'S SIDE MEMORY MIRROR In upper RH front door	
Y16	... PRESSURE SENSOR/PLUNGER LH side of engine compartment	
Y19	... SHIFT-LOCK Near gearshift lever	
Y1w	... ABS HYDRAULIC UNIT Front LH side of engine compartment under concealing headlight	
Y401z	. LEFT FRONT EDC VALVES Behind LH front wheel	
Y402z	. RIGHT FRONT EDC VALVES Behind RH front wheel 15-2
Y403z	. LEFT REAR EDC VALVES Behind LH rear wheel 14-2
Y404z	. RIGHT REAR EDC VALVES Behind RH rear wheel	
Y6101	. CYL. 1 FUEL INJECTION VALVE RH cylinder head 26-2
Y6101	. CYL. 1 FUEL INJECTION VALVE RH cylinder head (840Ci)	
Y6102	. CYL. 2 FUEL INJECTION VALVE RH cylinder head 26-2
Y6102	. CYL. 2 FUEL INJECTION VALVE RH cylinder head (840Ci)	
Y6103	. CYL. 3 FUEL INJECTION VALVE RH cylinder head 26-2
Y6103	. CYL. 3 FUEL INJECTION VALVE RH cylinder head (840Ci)	
Y6104	. CYL. 4 FUEL INJECTION VALVE RH cylinder head 26-2
Y6104	. CYL. 4 FUEL INJECTION VALVE RH cylinder head (840Ci)	
Y6105	. CYL. 5 FUEL INJECTION VALVE RH cylinder head 26-2
Y6105	. CYL. 5 FUEL INJECTION VALVE LH cylinder head (840Ci)	



COMPONENT LOCATION CHART

COMPONENT

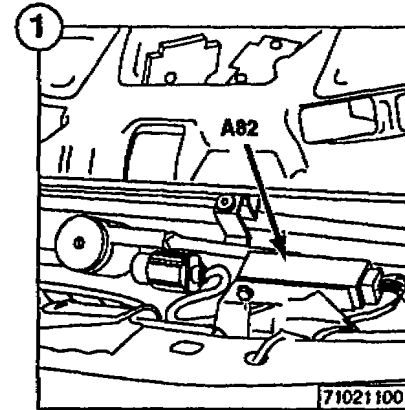
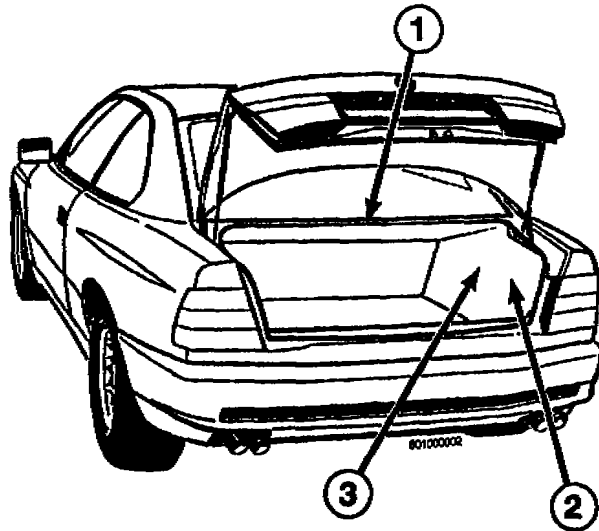
PAGE - FIGURE
7100.0 8500.0

Y6106 .	CYL. 6 FUEL INJECTION VALVE	RH cylinder head	26-2
Y6106 .	CYL. 6 FUEL INJECTION VALVE	LH cylinder head (840Ci)	
Y6107 .	CYL. 7 FUEL INJECTION VALVE	LH cylinder head	26-1
Y6107 .	CYL. 7 FUEL INJECTION VALVE	LH cylinder head (840Ci)	
Y6108 .	CYL. 8 FUEL INJECTION VALVE	LH cylinder head	26-1
Y6108 .	CYL. 8 FUEL INJECTION VALVE	LH cylinder head (840Ci)	
Y6109 .	CYL. 9 FUEL INJECTION VALVE	LH cylinder head	26-1
Y6110 .	CYL. 10 FUEL INJECTION VALVE	LH cylinder head	26-1
Y6111 .	CYL. 11 FUEL INJECTION VALVE	LH cylinder head	26-1
Y6112 .	CYL. 12 FUEL INJECTION VALVE	LH cylinder head	26-1
Y6120 .	EVAPORATIVE EMISSION VALVE	Front of engine (840Ci)	21-1
Y6121 .	CYL. 1-6 EVAPORATIVE EMISSION VALVE . . .	Front RH side of engine compartment	25-2
Y6122 .	CYL. 7-12 EVAPORATIVE EMISSION VALVE . .	Front RH side of engine compartment	25-2
Y6130 .	IDLE SPEED CONTROL VALVE	Front of engine (840Ci)	20-3
Y8505 .	TRANSMISSION VALVE UNIT	Under center of car	

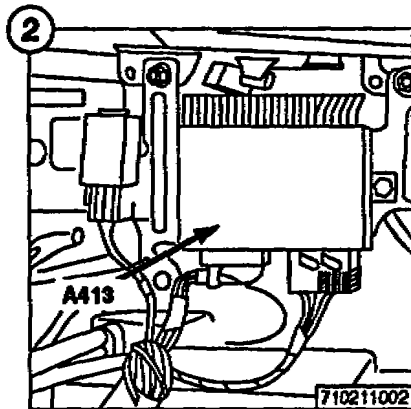


COMPONENT LOCATION VIEWS

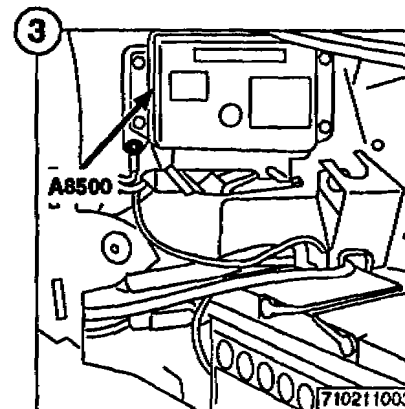
ELECTRICAL CONTROL MODULE LOCATIONS



A82
SUN BLIND
CONTROL MODULE



A413
ELECTRONIC
SHOCK
ABSORBER
CONTROL
MODULE (EDC)

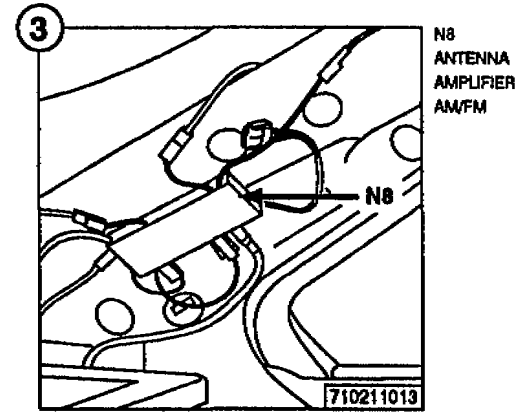
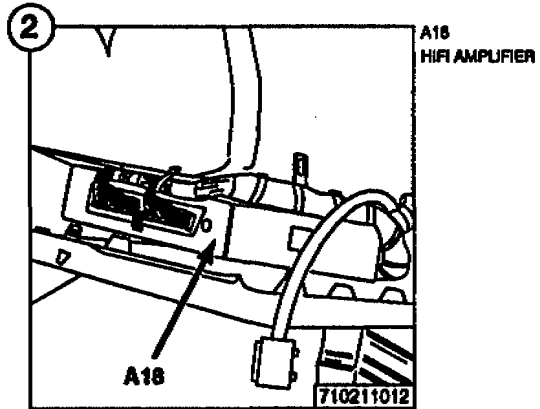
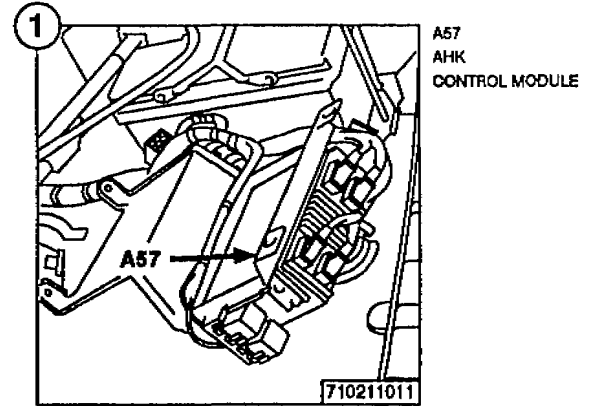
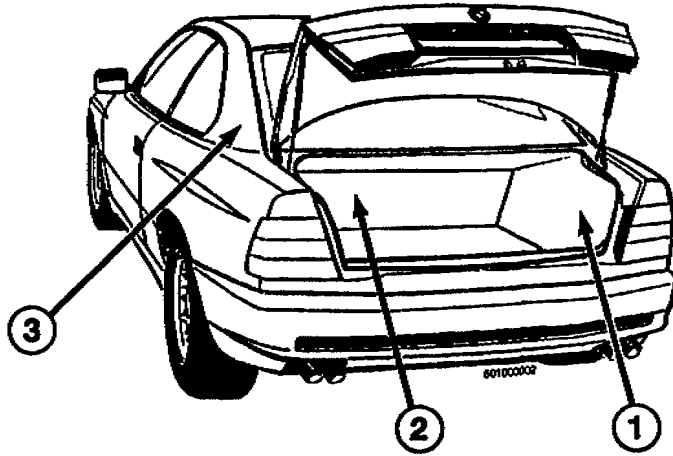


A8500
TRANSMISSION
CONTROL MODULE
(EGS)



COMPONENT LOCATION VIEWS

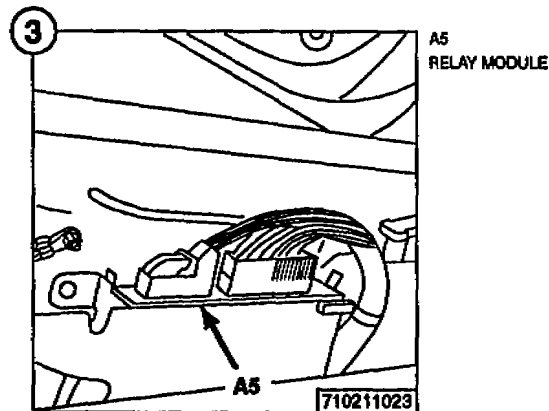
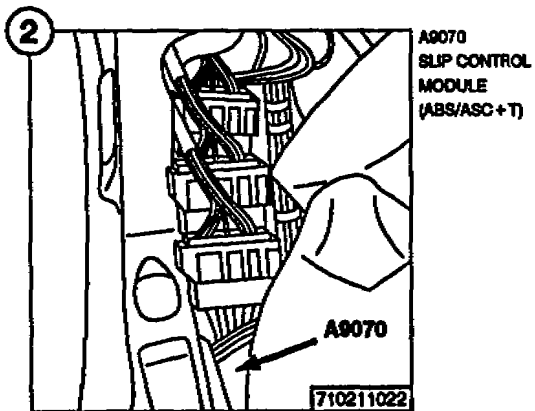
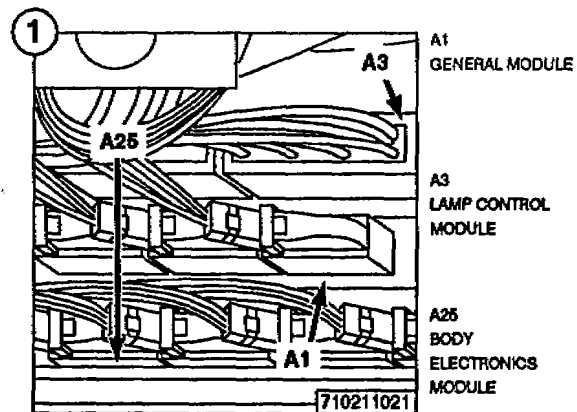
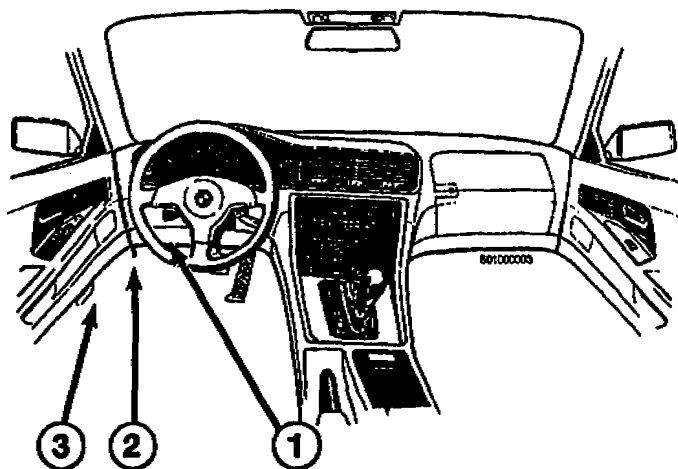
ELECTRICAL CONTROL MODULE LOCATIONS





COMPONENT LOCATION VIEWS

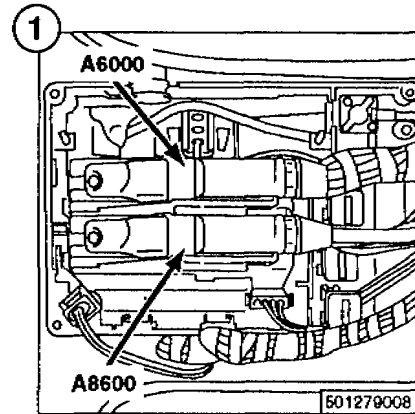
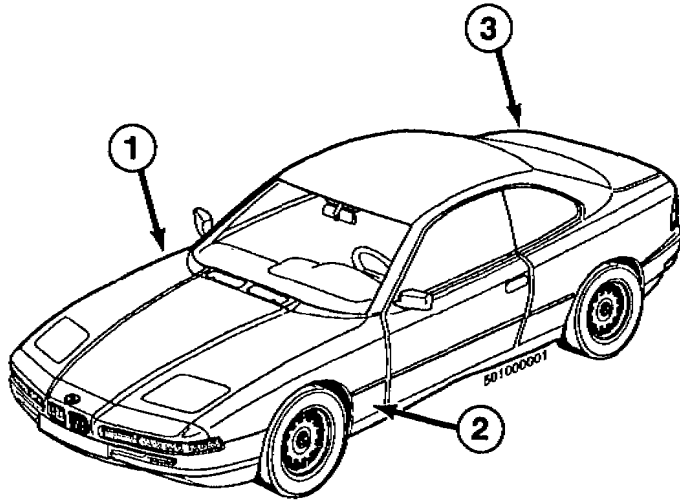
ELECTRICAL CONTROL MODULE LOCATIONS





COMPONENT LOCATION VIEWS

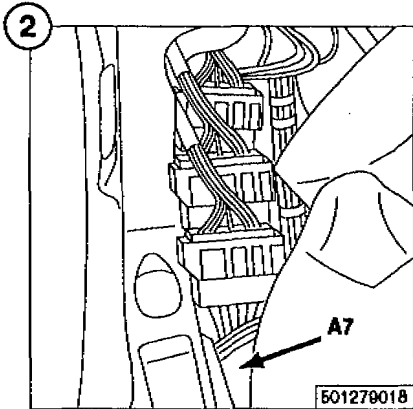
ELECTRICAL CONTROL MODULE LOCATIONS



A6000
ENGINE CONTROL
MODULE (DME)

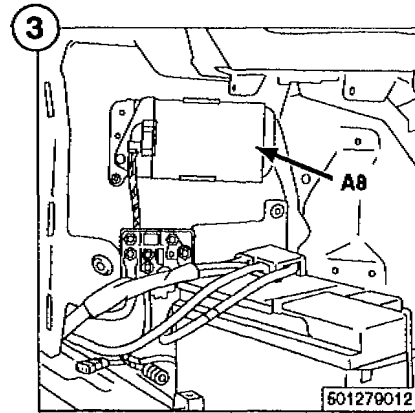
A8800
TRANSMISSION
CONTROL MODULE
(AGS)

A8600
501279008



A7
SLIP CONTROL
MODULE (ABS)

501279018



A8
CRUISE CONTROL
MODULE
(TEMPOMAT)

F97
FUSIBLE LINK

F99
FUSIBLE
LINK (50A)

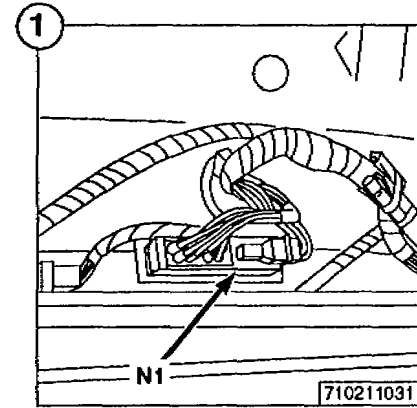
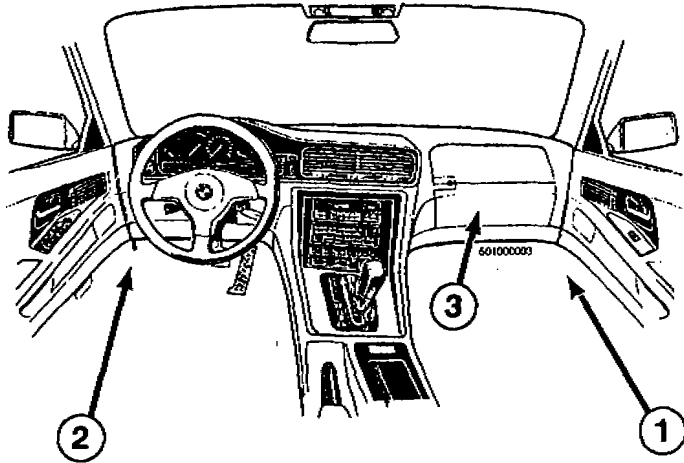
501279012

X22
X6403
X18180

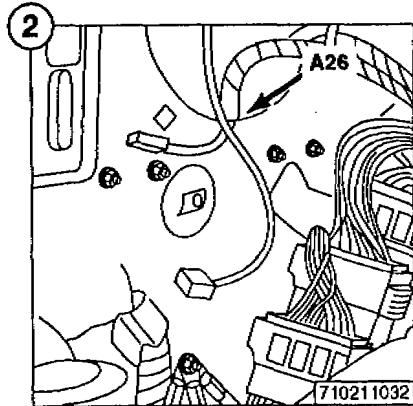


COMPONENT LOCATION VIEWS

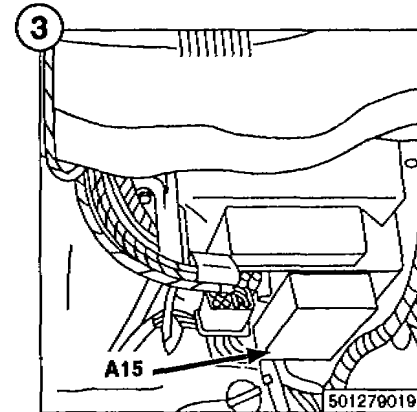
ELECTRICAL CONTROL MODULE LOCATIONS



N1
ANTI-THEFT
CONTROL MODULE
(DWA)



A26
LOCK-SENSOR
CONTROL MODULE

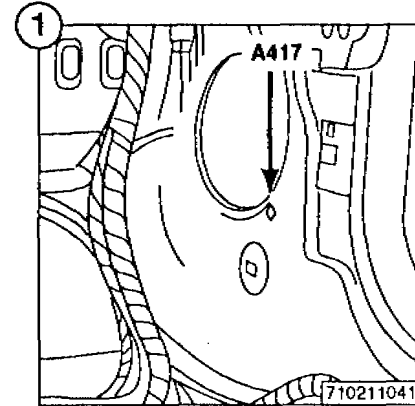
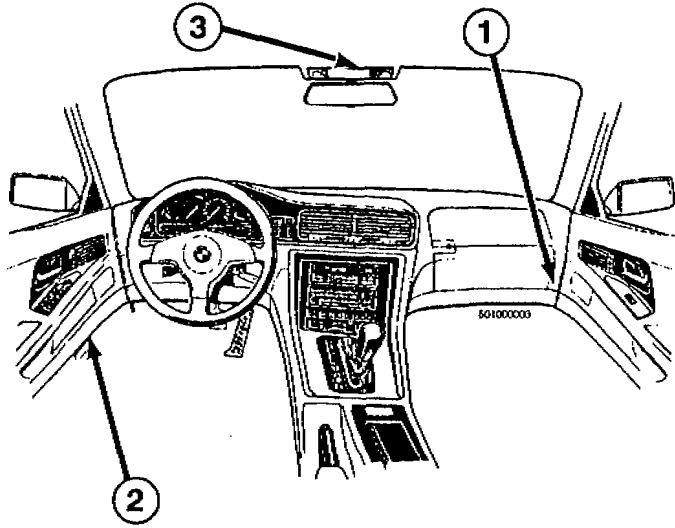


A15
PARK HEATING/
VENTILATION
RELAY BOX

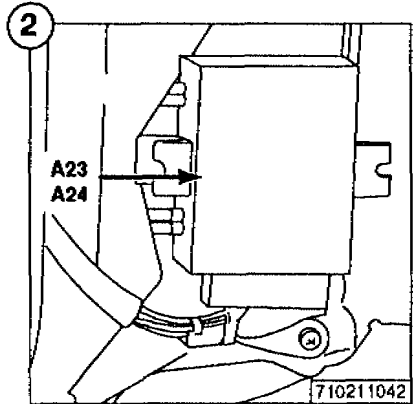


COMPONENT LOCATION VIEWS

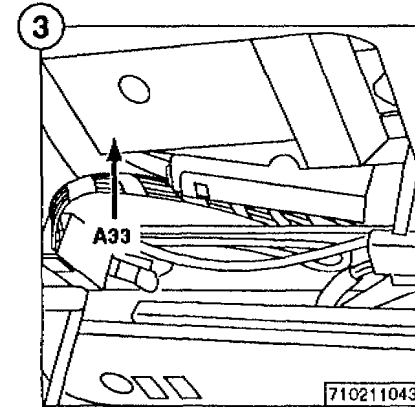
ELECTRICAL CONTROL MODULE LOCATIONS



A417
AUTOMATIC AIR
RECIRCULATION
CONTROL MODULE



RH SIMILAR

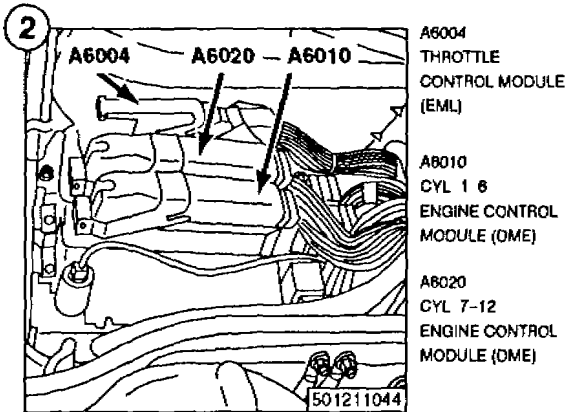
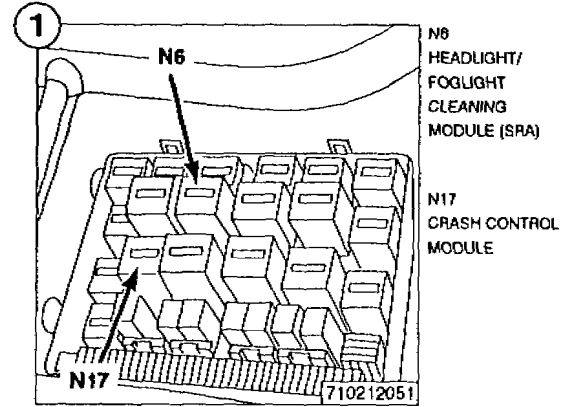
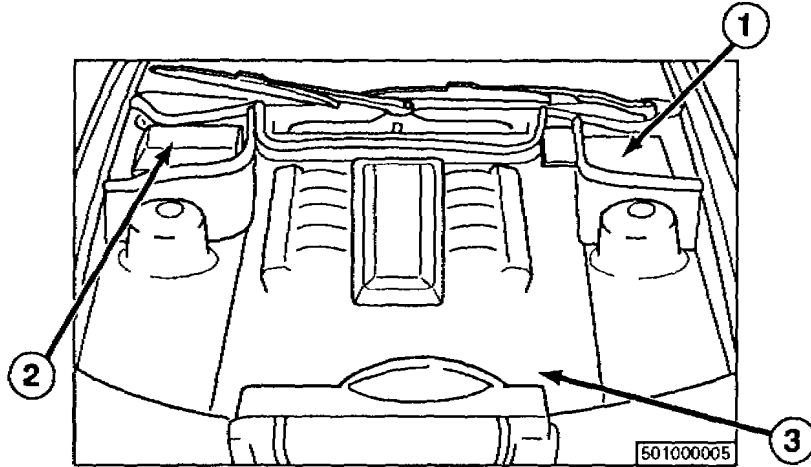


A33
SUNROOF MODULE

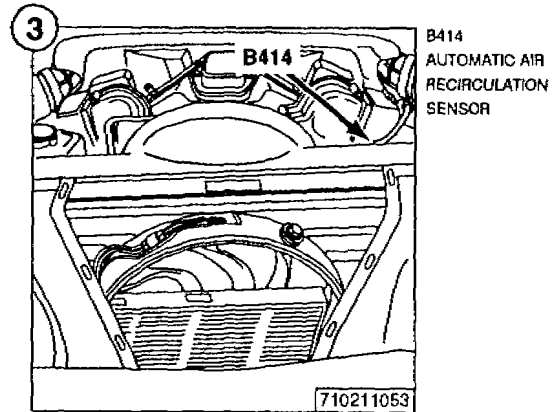


COMPONENT LOCATION VIEWS

ELECTRICAL CONTROL MODULE LOCATIONS

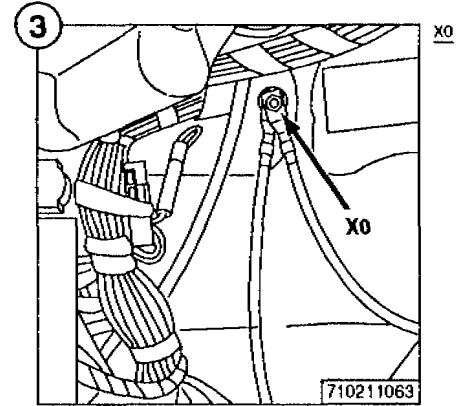
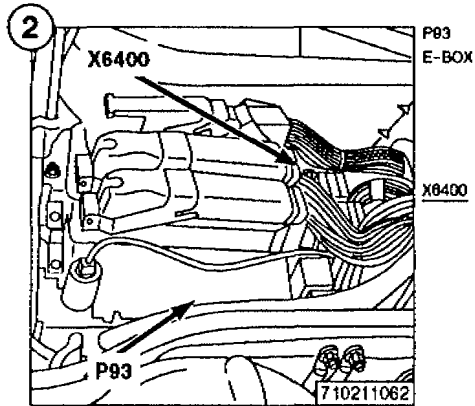
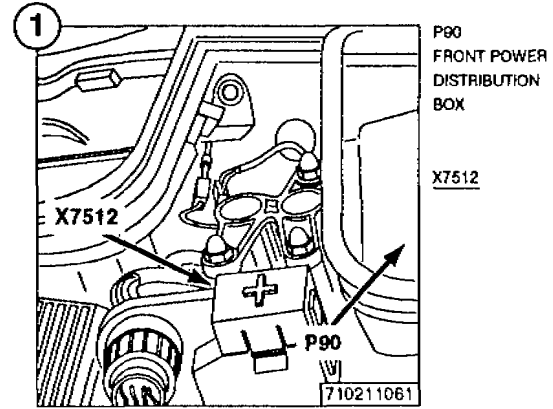
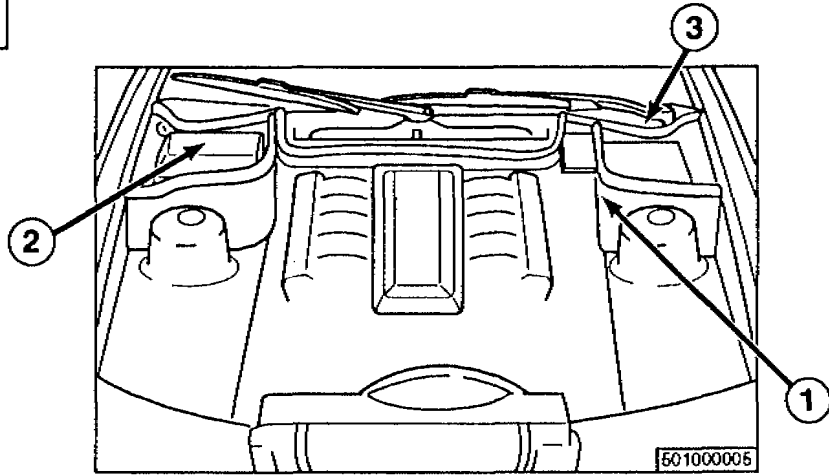


- A6004
THROTTLE
CONTROL MODULE
(EML)
- A6010
CYL 1-6
ENGINE CONTROL
MODULE (DME)
- A6020
CYL 7-12
ENGINE CONTROL
MODULE (DME)



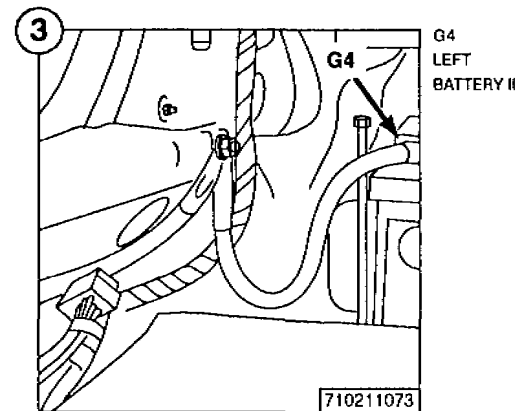
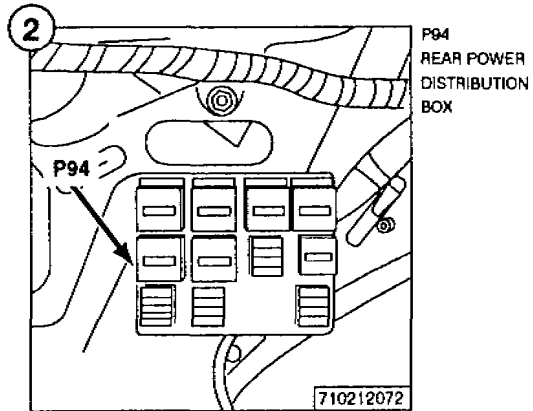
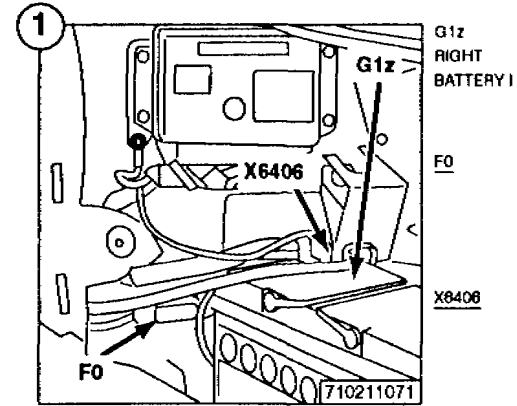
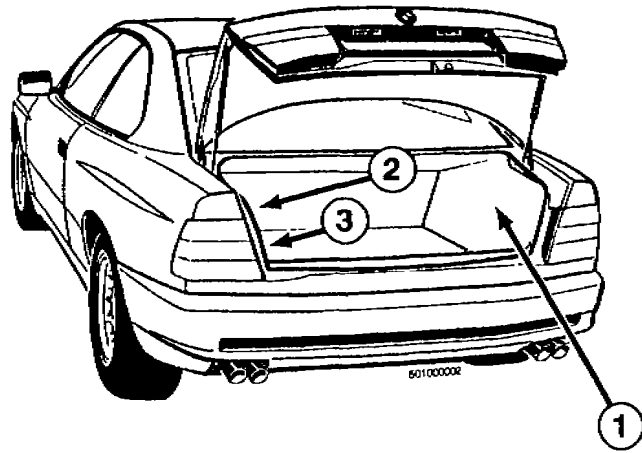
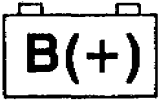
- B414
AUTOMATIC AIR
RECIRCULATION
SENSOR

B(+)





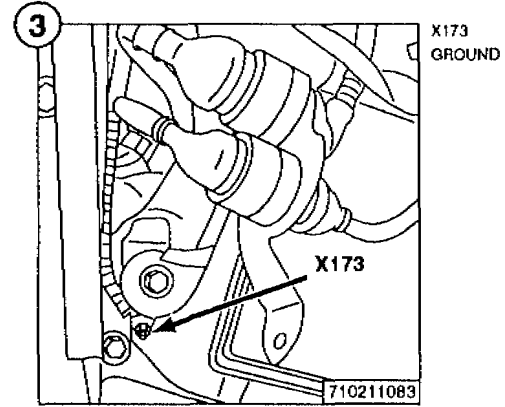
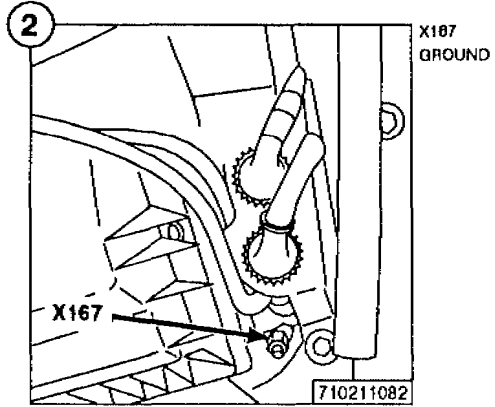
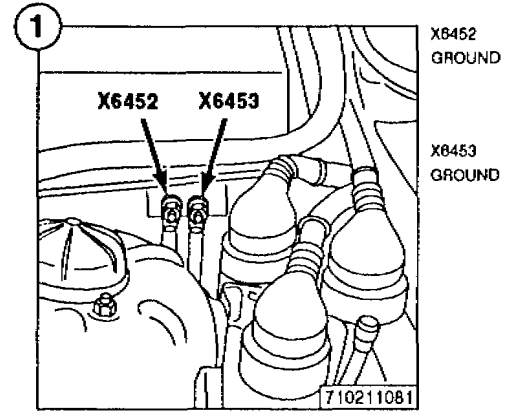
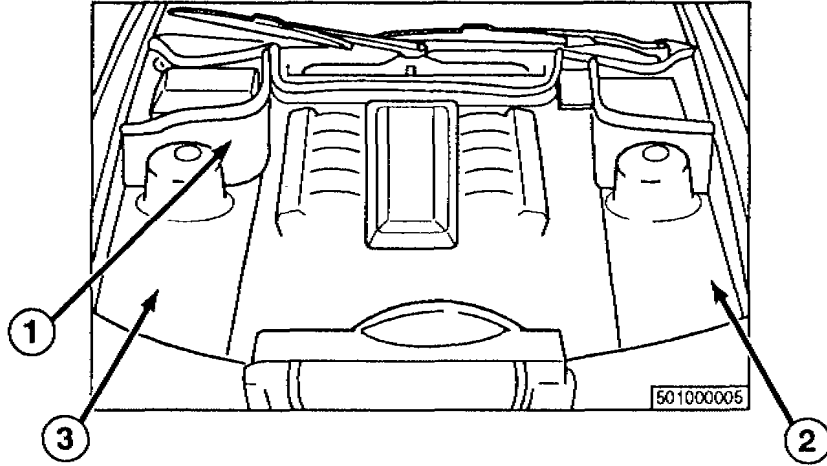
COMPONENT LOCATION VIEWS





COMPONENT LOCATION VIEWS

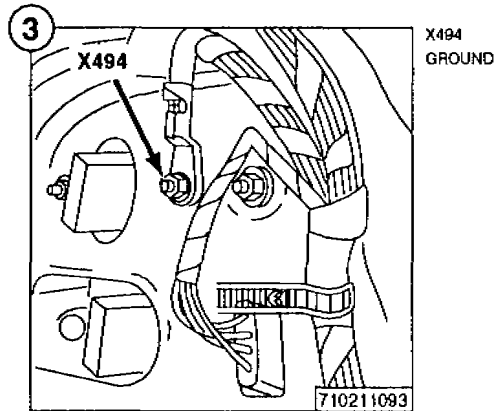
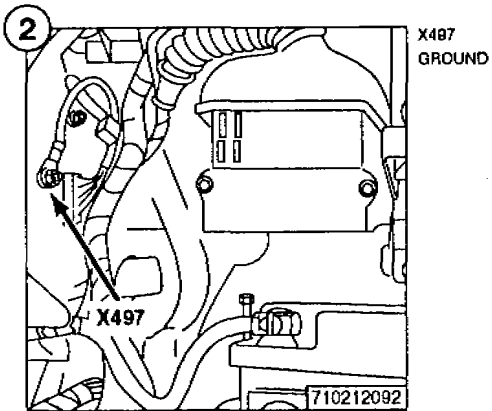
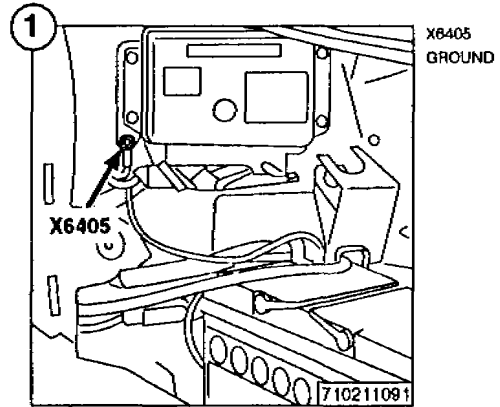
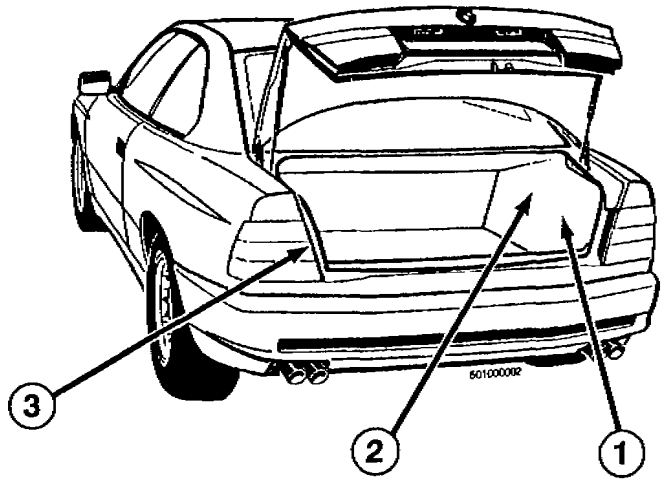
B(-)





COMPONENT LOCATION VIEWS

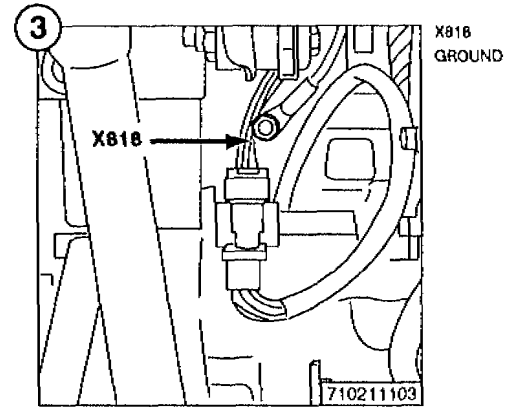
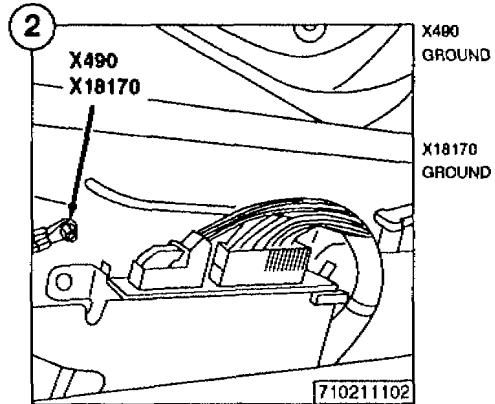
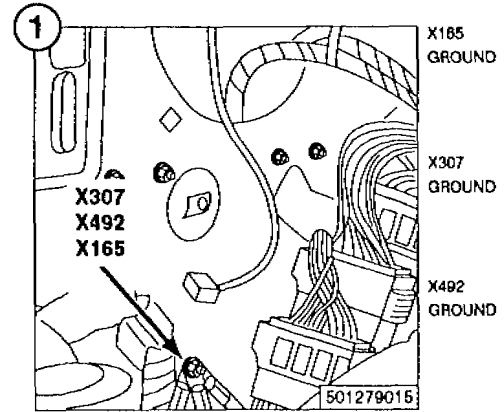
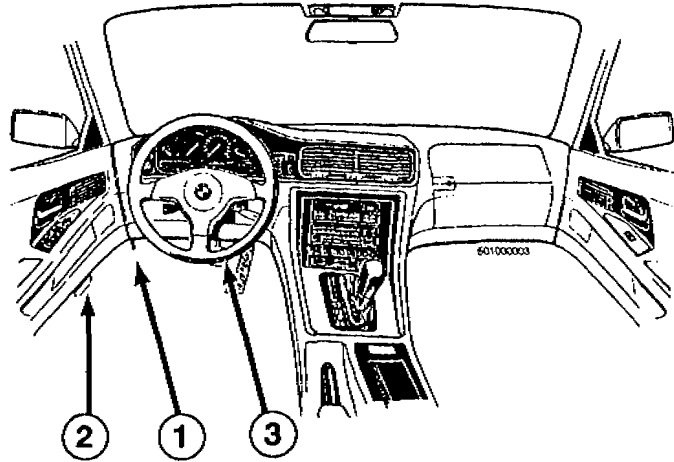
B(-)





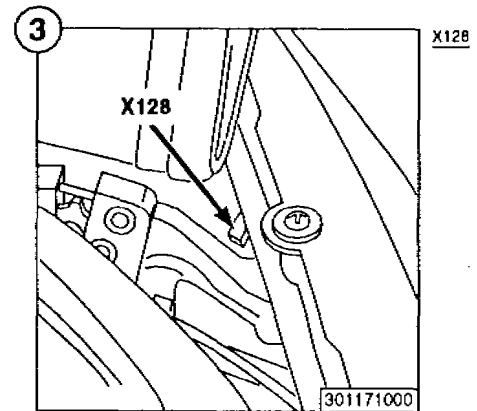
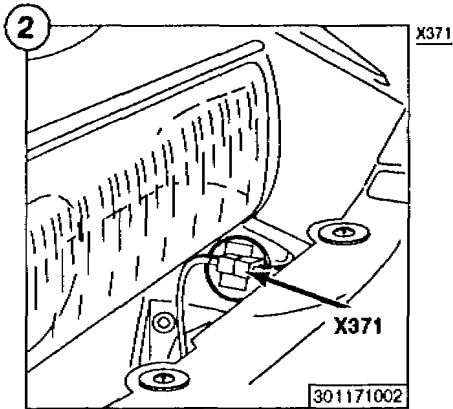
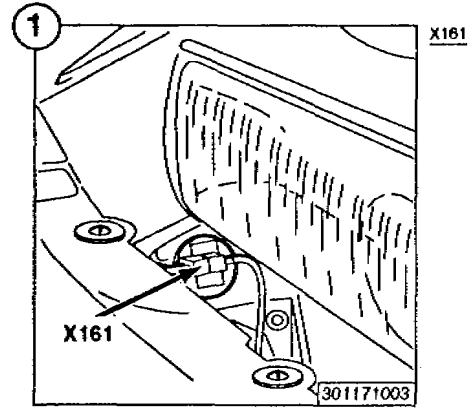
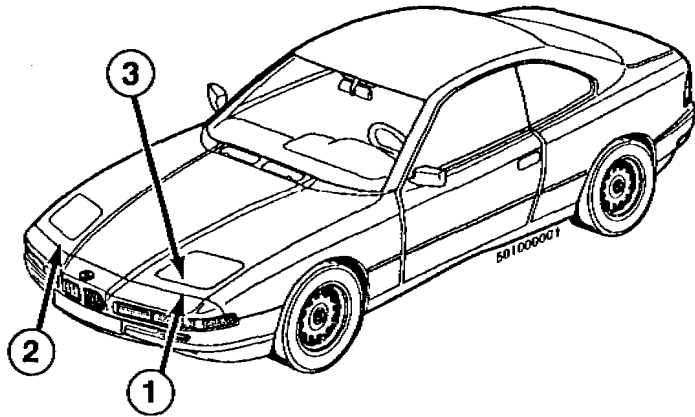
COMPONENT LOCATION VIEWS

B(-)

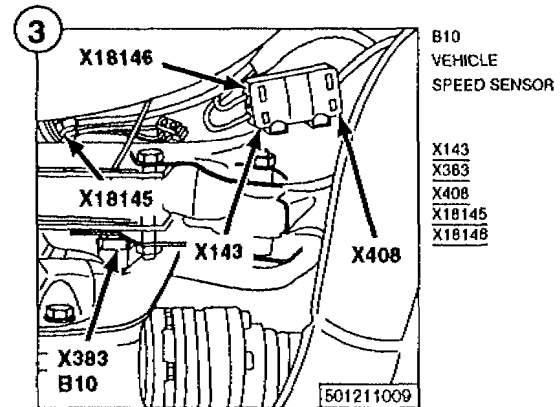
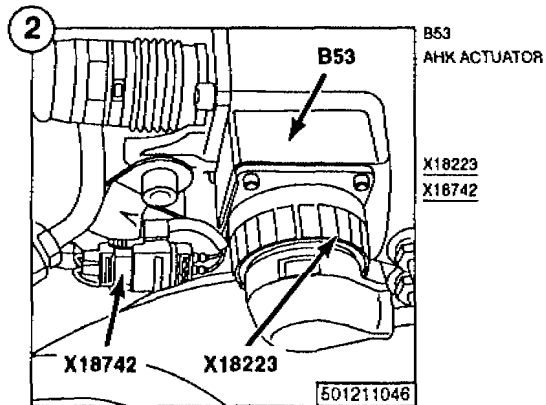
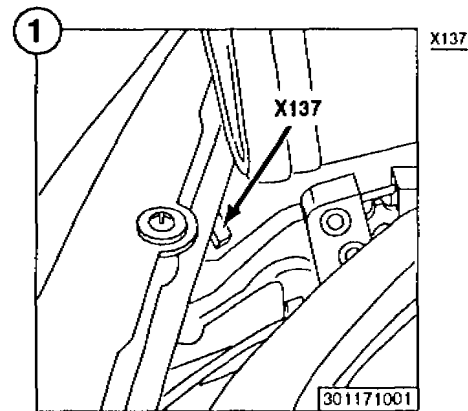
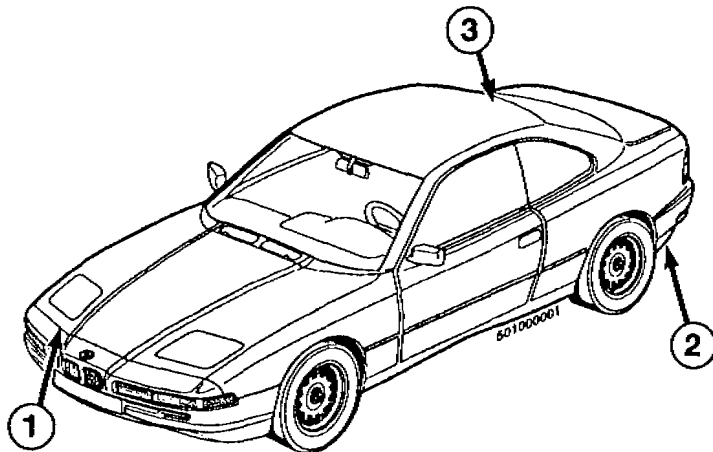




COMPONENT LOCATION VIEWS

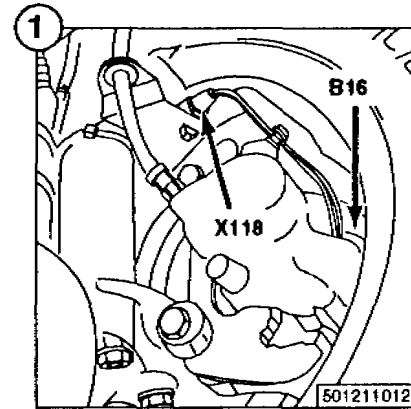
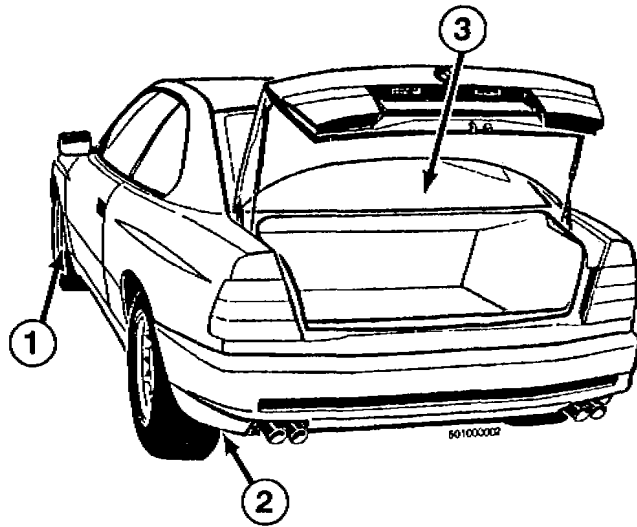


COMPONENT LOCATION VIEWS





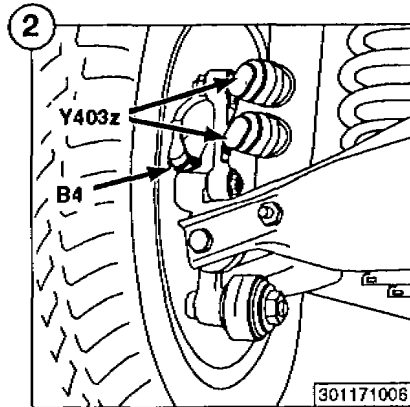
COMPONENT LOCATION VIEWS



B16
LEFT FRONT
BRAKE PAD
SENSOR

X118

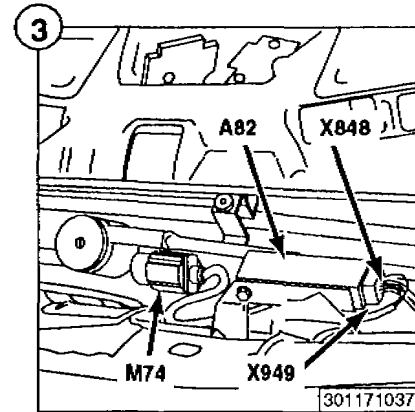
501211012



B4
LEFT REAR
SPEED SENSOR
- ABS

Y403z
LEFT REAR
EDC VALVES

301171006



A82
SUN BLIND
CONTROL MODULE

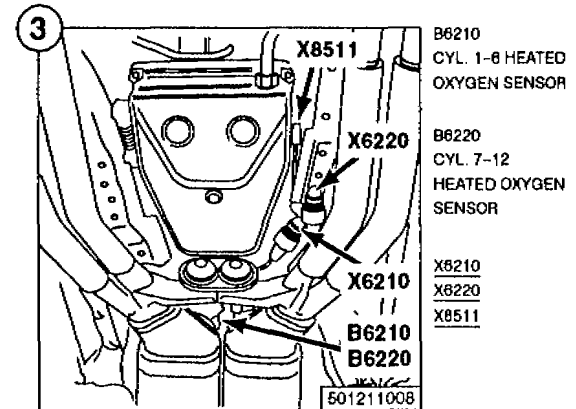
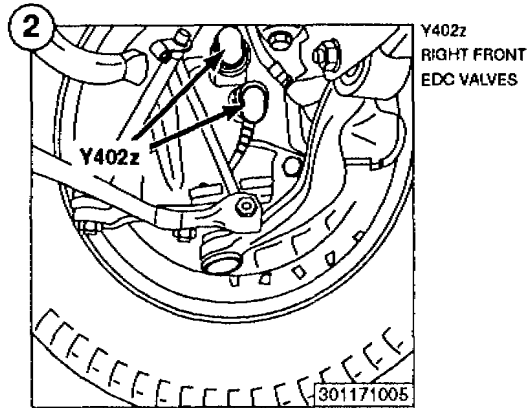
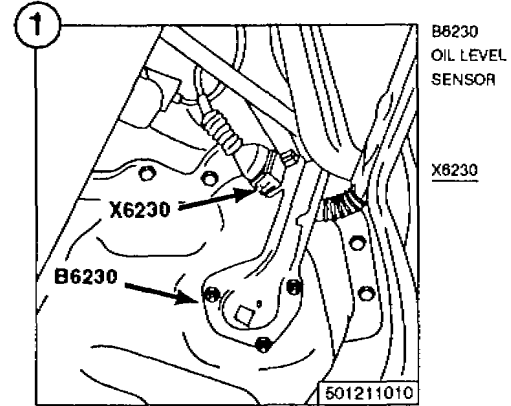
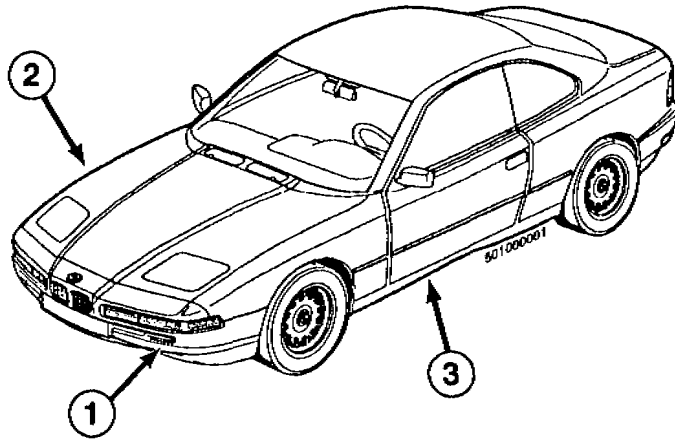
M74
SUN BLIND
MOTOR

X648
X949

301171037

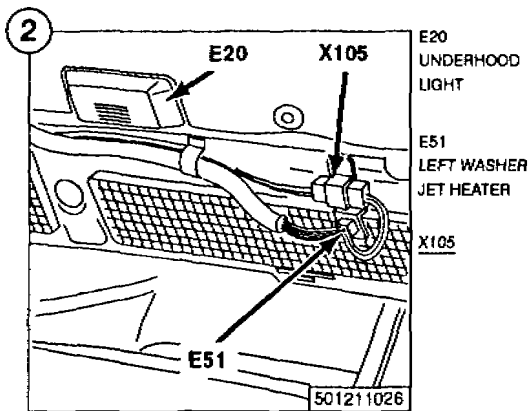
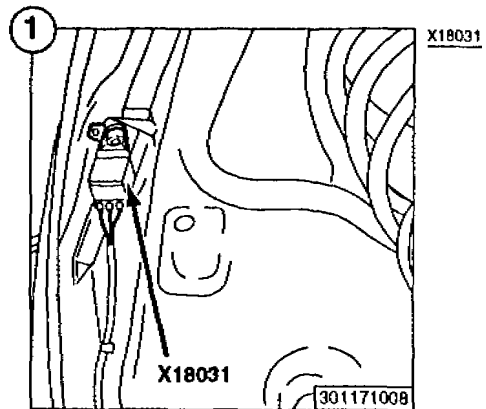
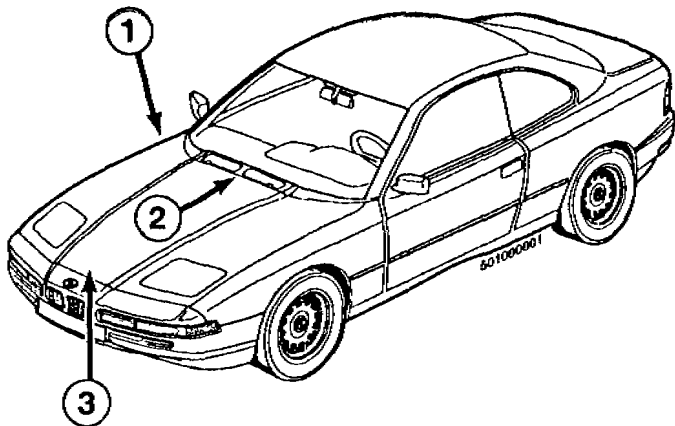


COMPONENT LOCATION VIEWS





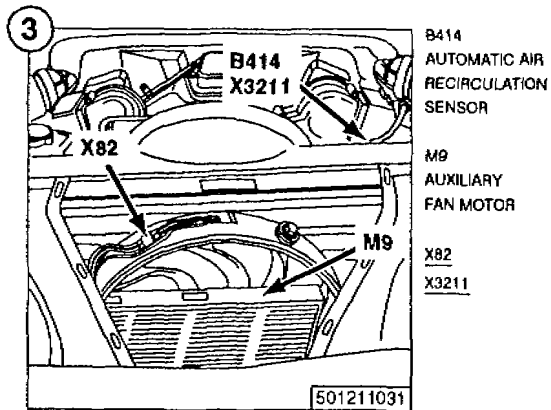
COMPONENT LOCATION VIEWS



E20
UNDERHOOD
LIGHT

E51
LEFT WASHER
JET HEATER

X105



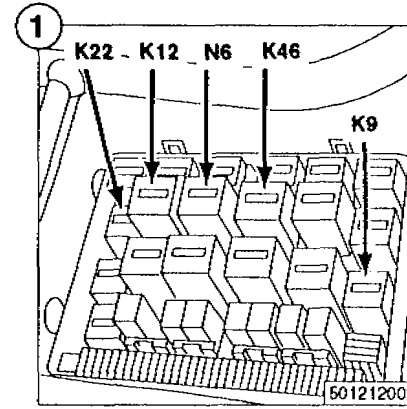
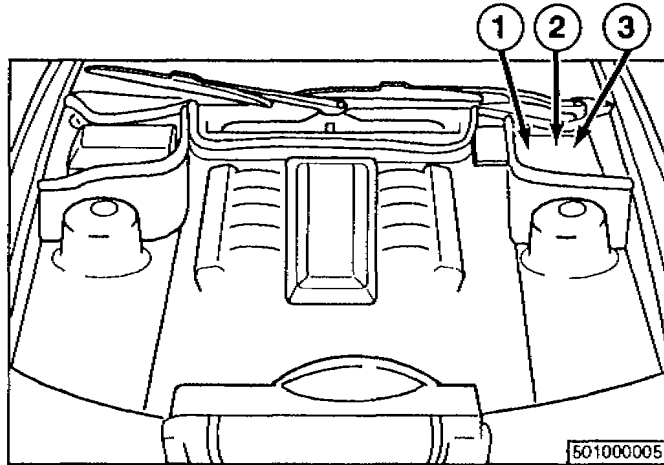
B414
AUTOMATIC AIR
RECIRCULATION
SENSOR

M9
AUXILIARY
FAN MOTOR

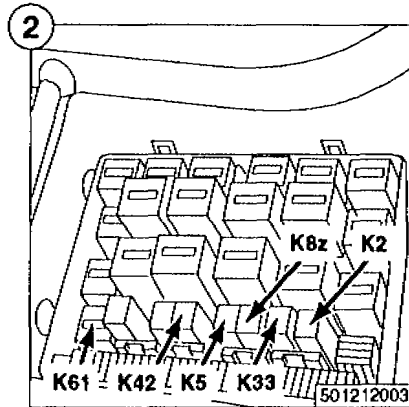
X82
X3211



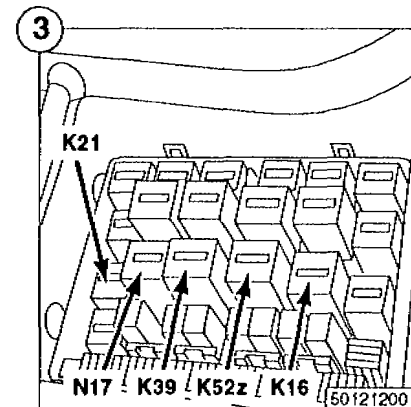
COMPONENT LOCATION VIEWS



- K9 UNLOADER RELAY, TERMINAL 15
- K12 WIPER PRESSURE CONTROL (ADV) RELAY
- K22 HIGH SPEED RELAY
- K48 HIGH BEAM LIGHT RELAY
- N8 HEADLIGHT/FOGLIGHT CLEANING MODULE (SRA)



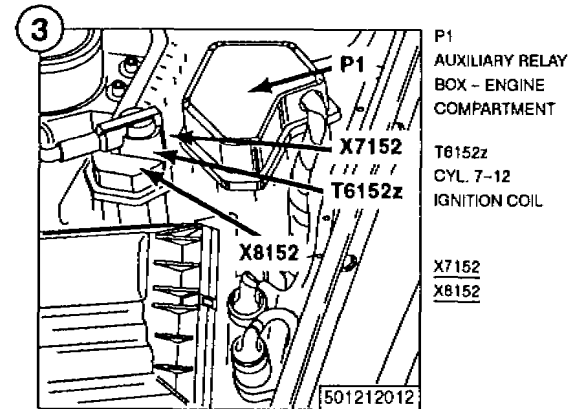
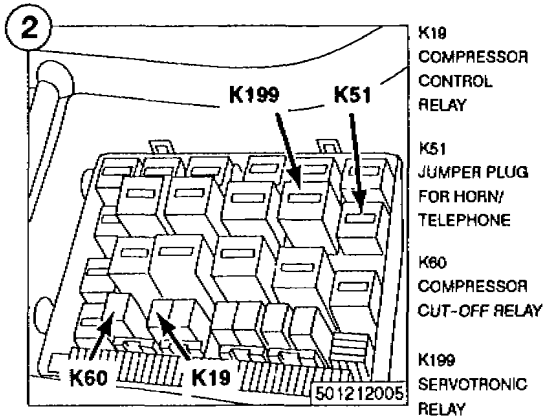
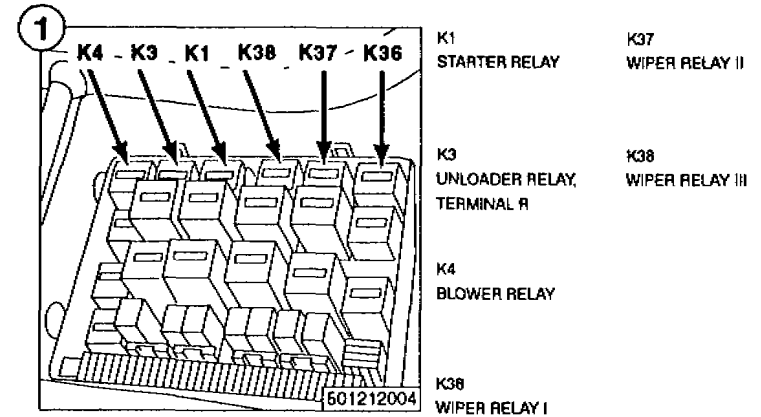
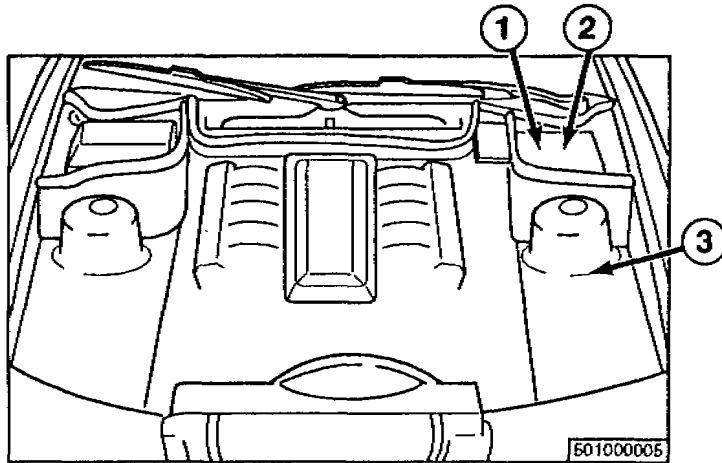
- K2 HORN RELAY
- K5 WASHER PUMP RELAY
- K8z AUXILIARY WATER PUMP RELAY
- K33 AIR CONDITIONING RELAY
- K42 INTENSIVE WASH RELAY
- K61 UNLOADER RELAY, TERMINAL B1



- K18 HAZARD FLASHER RELAY
- K21 NORMAL SPEED RELAY
- K39 CONCEALING HEADLIGHTS RELAY
- K52z FLASHER LIGHT RELAY
- N17 CRASH CONTROL MODULE

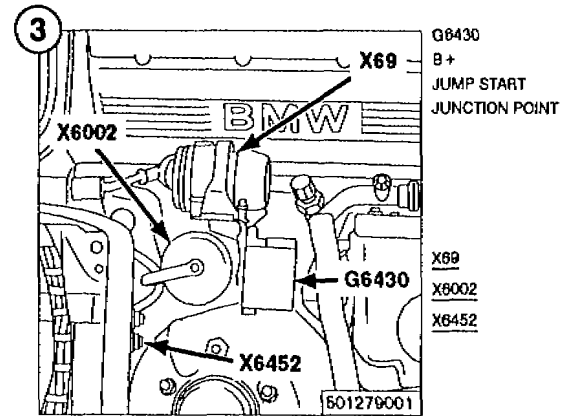
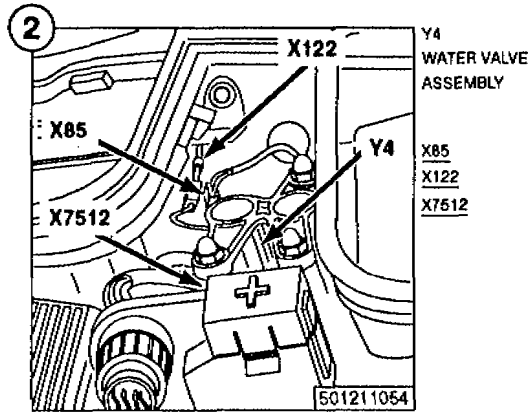
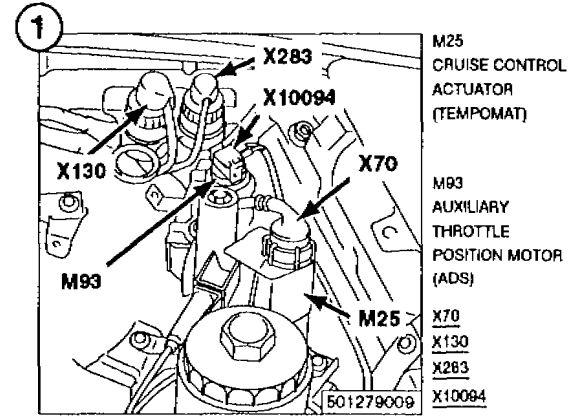
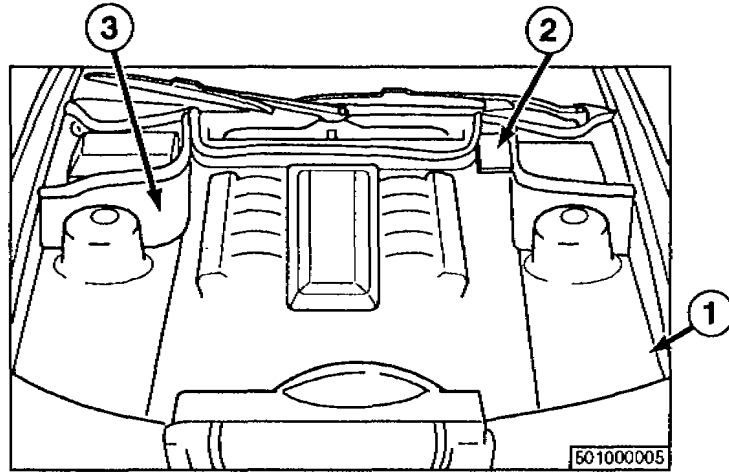


COMPONENT LOCATION VIEWS



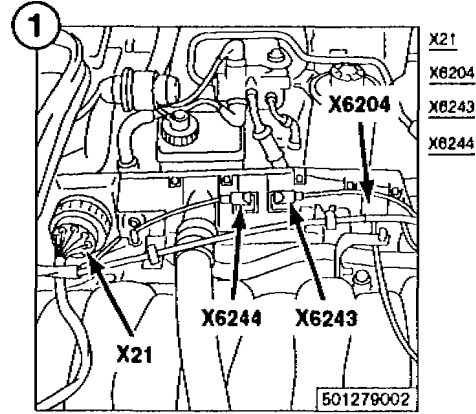
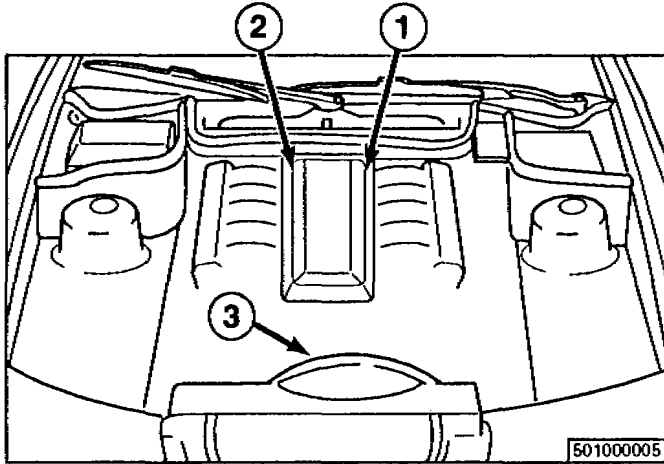


COMPONENT LOCATION VIEWS

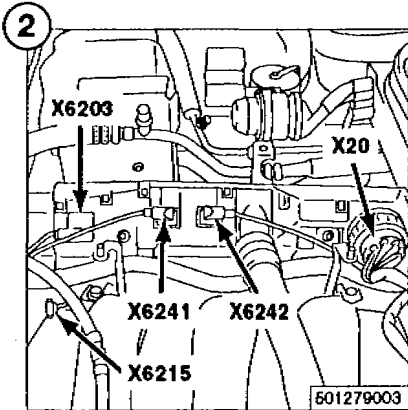




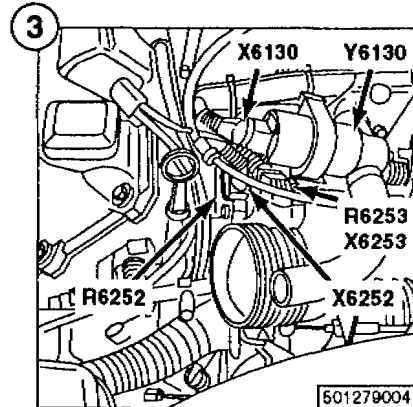
COMPONENT LOCATION VIEWS



- X21
- X6204
- X6243
- X6244



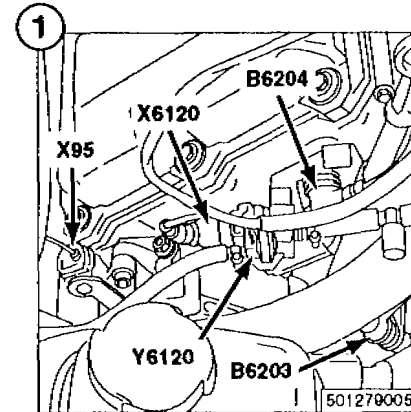
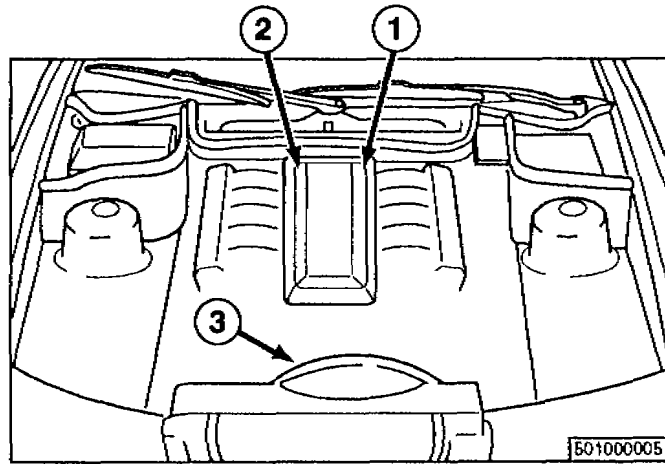
- X20
- X6203
- X6215
- X6241
- X6242



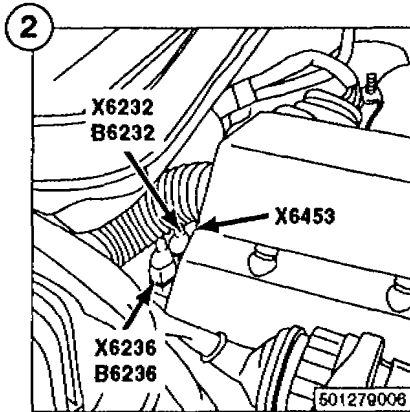
- R6252
- X6130
- Y6130
- R6253
- X6253
- R6253
- X6253
- R6252
- X6252
- Y6130

- THROTTLE POSITION SENSOR
- AUXILIARY THROTTLE POSITION SENSOR
- IDLE SPEED CONTROL VALVE

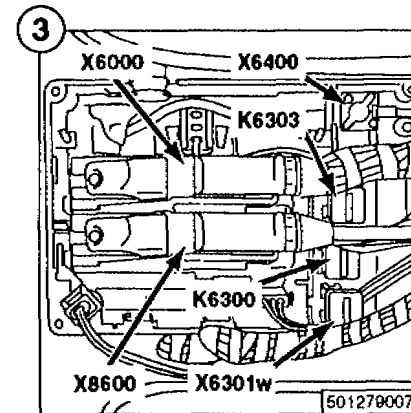
COMPONENT LOCATION VIEWS



- B6203 CRANKSHAFT POSITION/RPM SENSOR X95
X6120
- B6204 CAMSHAFT POSITION SENSOR (CYLINDER IDENTIFICATION)
- Y6120 EVAPORATIVE EMISSION VALVE



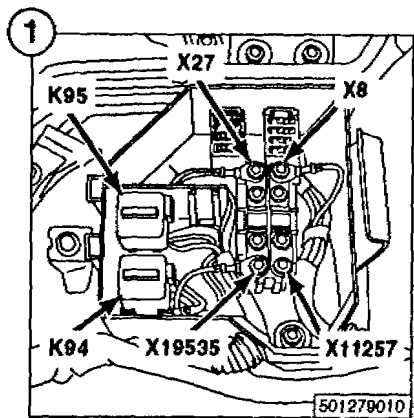
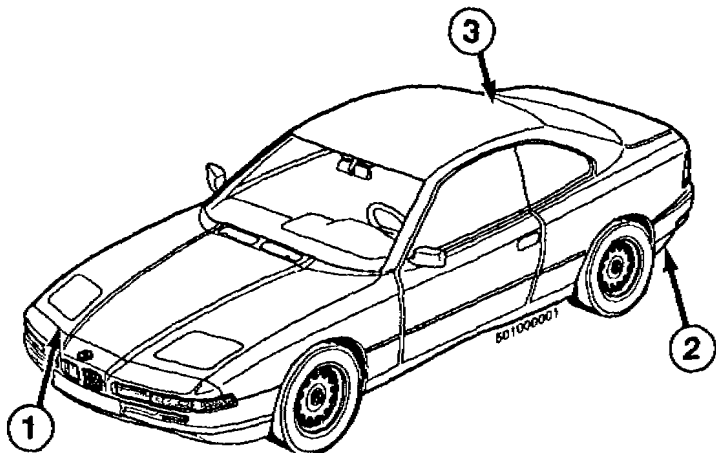
- B6232 ENGINE COOLANT TEMPERATURE SENSOR
- B6236 ENGINE COOLANT TEMPERATURE SENSOR
- X6453 GROUND
- X6232
- X6236



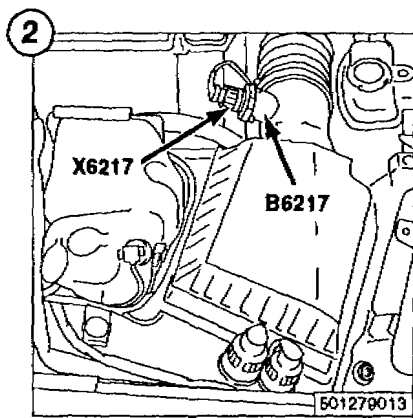
- K6300 ENGINE CONTROL MODULE RELAY X8600
- X6400 B+ JUNCTION POINT
- K6301w FUEL PUMP RELAY
- K6303 OXYGEN SENSOR RELAY



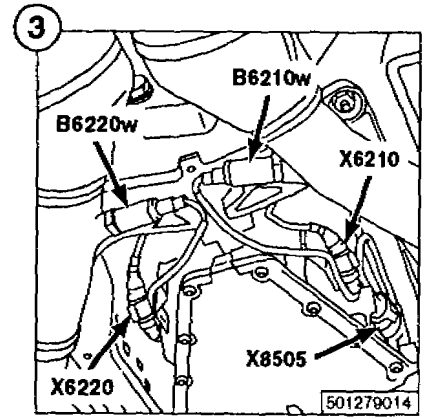
COMPONENT LOCATION VIEWS



- K94
ABS PUMP MOTOR
RELAY
- K95
VALVE RELAY
(ABS/ASC)
- X8
- X27
- X11257
- X19535



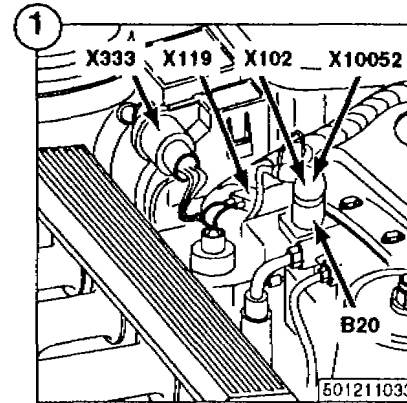
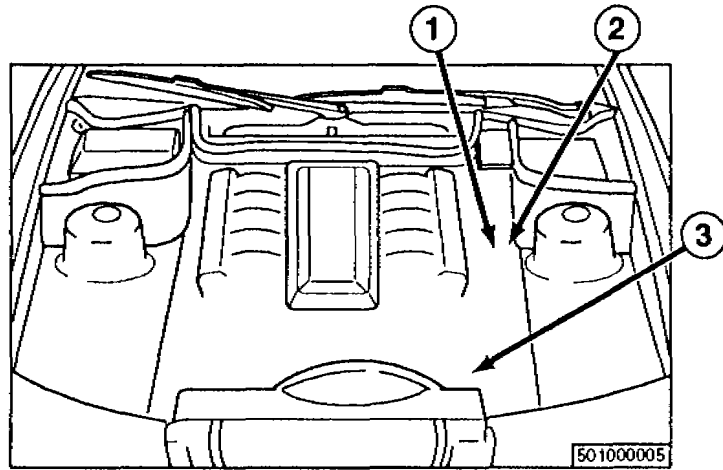
- B6217
HOT FILM AIR
MASS METER
- X6217



- B6210w
CYL 1 4 HEATED
OXYGEN SENSOR
- B6220w
CYL 5 8
HEATED OXYGEN
SENSOR
- X6210
- X6220
- X8505

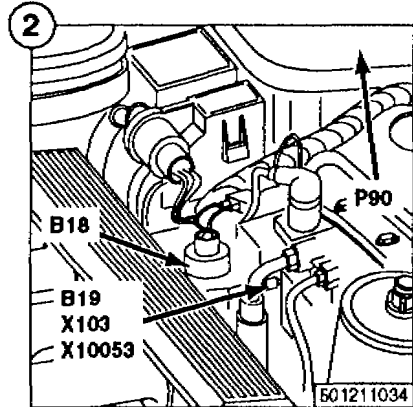


COMPONENT LOCATION VIEWS



B20
BRAKE
PRESSURE
SWITCH

X102
X119
X333
X10052

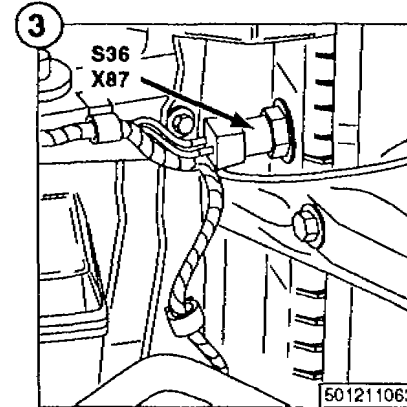


B18
BRAKE FLUID
LEVEL SWITCH

B19
BRAKE
PRESSURE
REGULATING
SWITCH

P90
FRONT POWER
DISTRIBUTION
BOX

X103
X10053

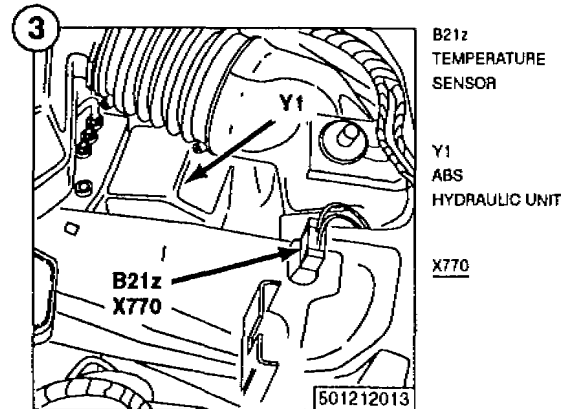
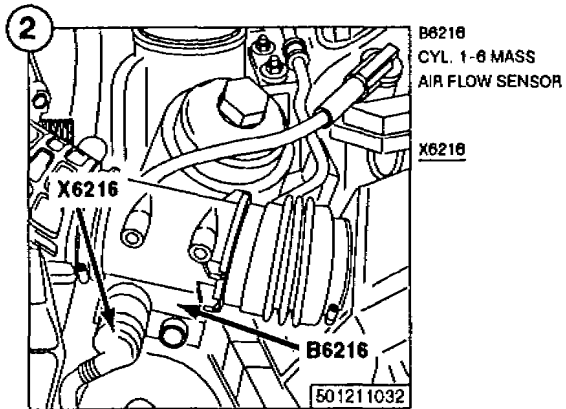
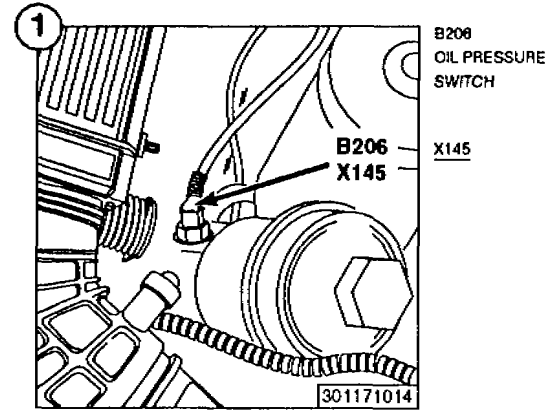
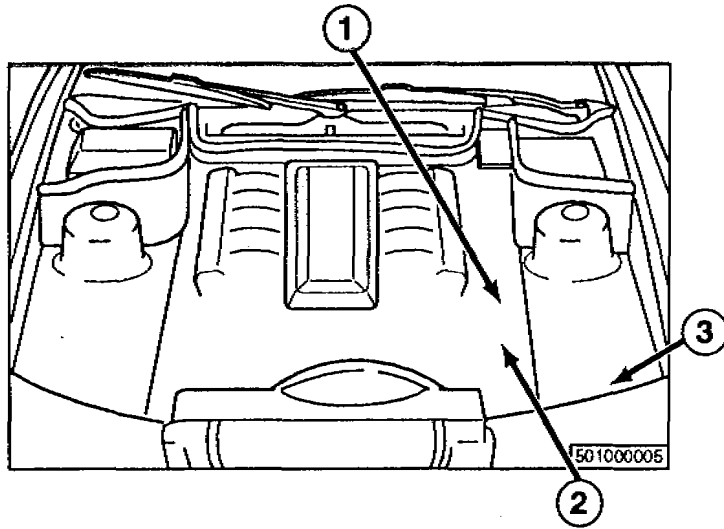


S36
TEMPERATURE
SWITCH

X87

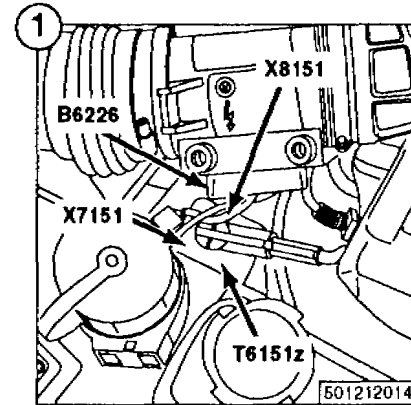
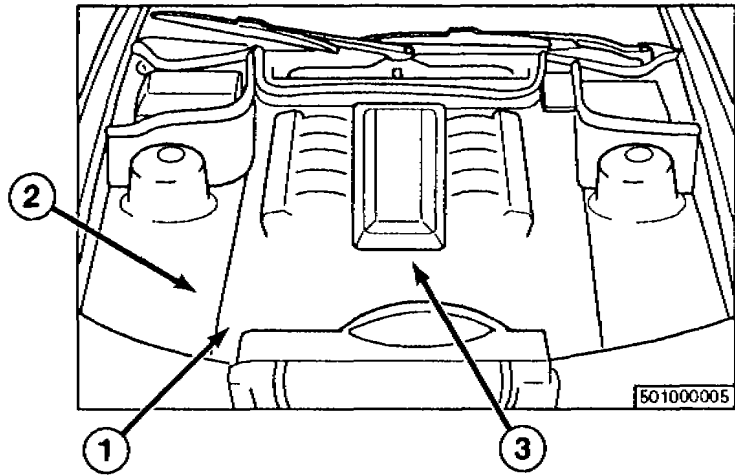


COMPONENT LOCATION VIEWS

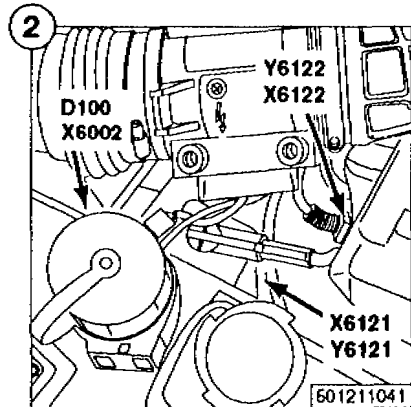




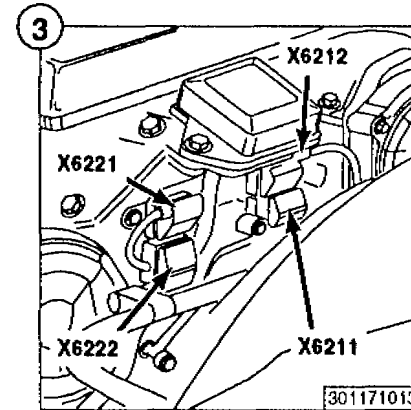
COMPONENT LOCATION VIEWS



- B6226
CYL. 7-12 MASS
AIR FLOW SENSOR
- T6151z
CYL. 1-8
IGNITION COIL
- X7151
- X8151



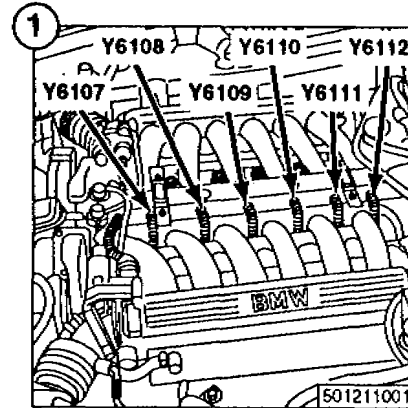
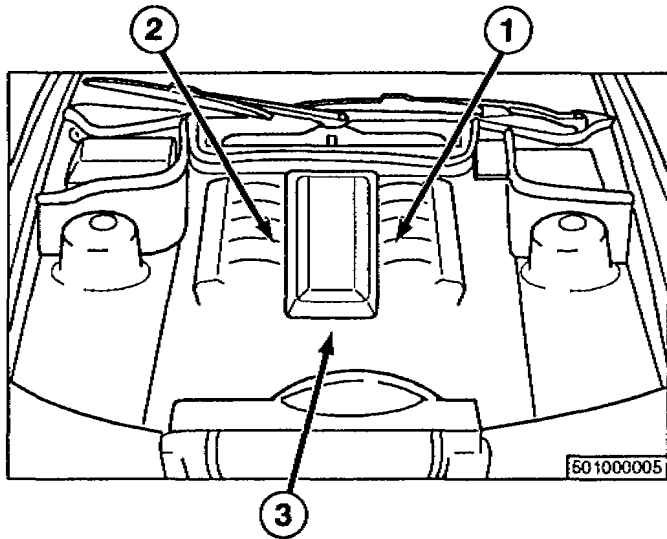
- D100
DATA LINK
CONNECTOR
- Y6122
X6122
- Y6121
CYL. 1-6
EVAPORATIVE
EMISSION VALVE
- Y6122
CYL. 7-12
EVAPORATIVE
EMISSION VALVE
- X6121
Y6121
- X6002
- X8121
- X8122



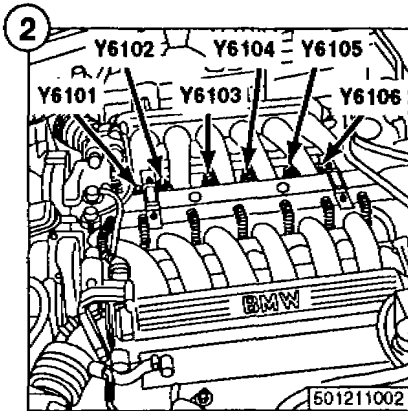
- X6211
- X6212
- X6221
- X6222



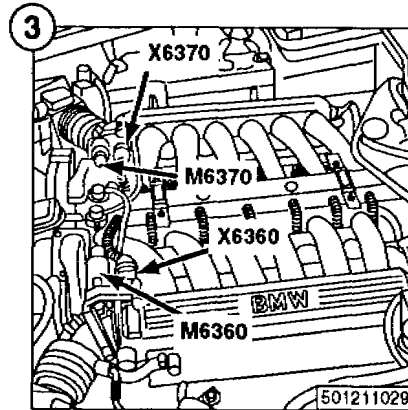
COMPONENT LOCATION VIEWS



- | | |
|---|--|
| Y6107
CYL. 7 FUEL
INJECTION VALVE | Y6110
CYL. 10 FUEL
INJECTION VALVE |
| Y6108
CYL. 8 FUEL
INJECTION VALVE | Y6111
CYL. 11 FUEL
INJECTION VALVE |
| Y6109
CYL. 9 FUEL
INJECTION VALVE | Y6112
CYL. 12 FUEL
INJECTION VALVE |



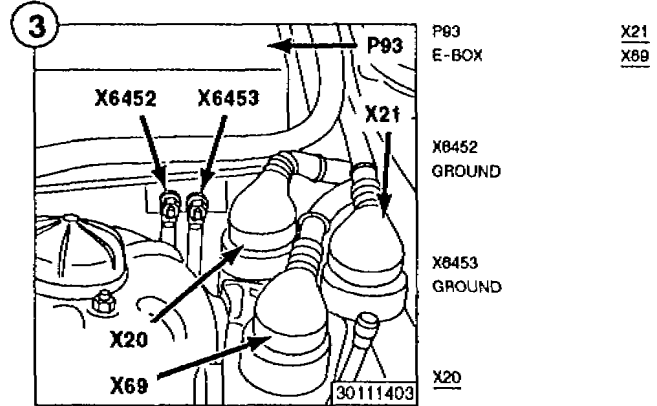
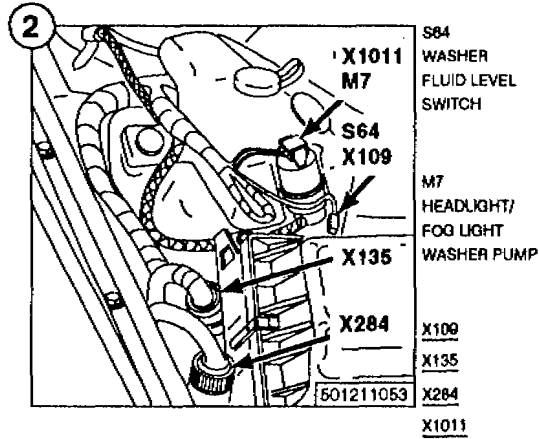
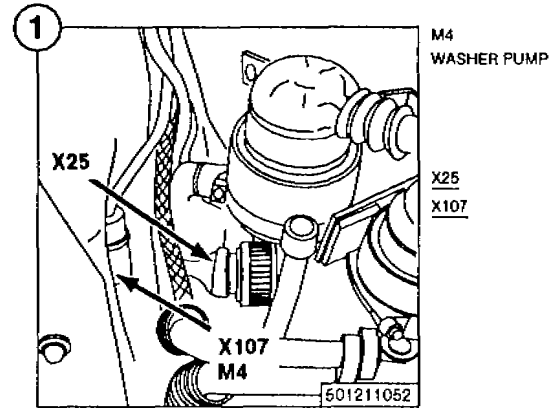
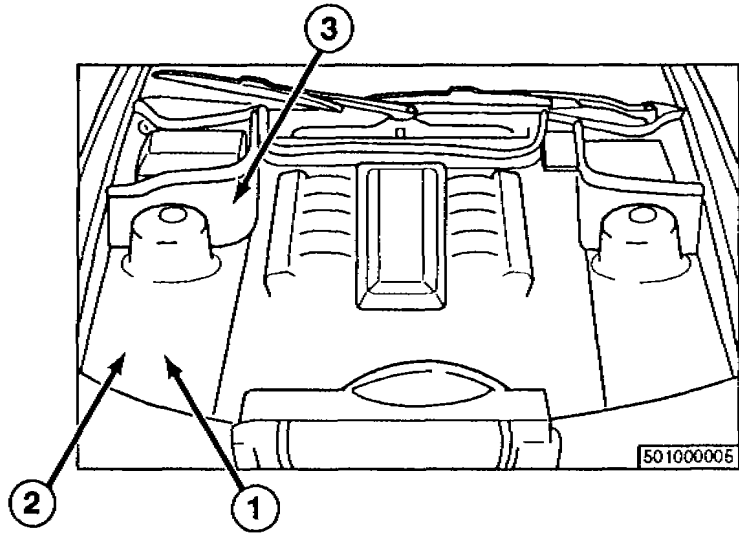
- | | |
|---|---|
| Y6101
CYL. 1 FUEL
INJECTION VALVE | Y6104
CYL. 4 FUEL
INJECTION VALVE |
| Y6102
CYL. 2 FUEL
INJECTION VALVE | Y6105
CYL. 5 FUEL
INJECTION VALVE |
| Y6103
CYL. 3 FUEL
INJECTION VALVE | Y6106
CYL. 6 FUEL
INJECTION VALVE |



- | |
|-----------------------------------|
| M6360
EML ACTUATOR
MOTOR I |
| M6370
EML ACTUATOR
MOTOR II |
| X6360 |
| X6370 |

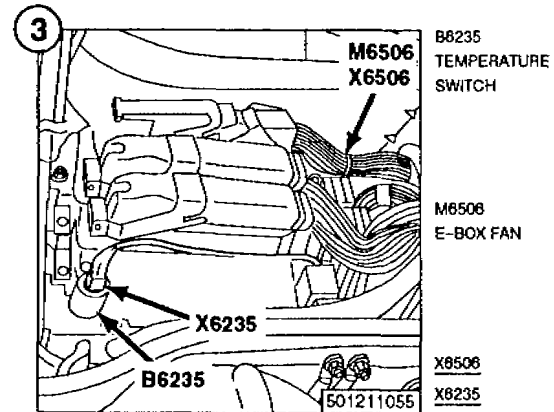
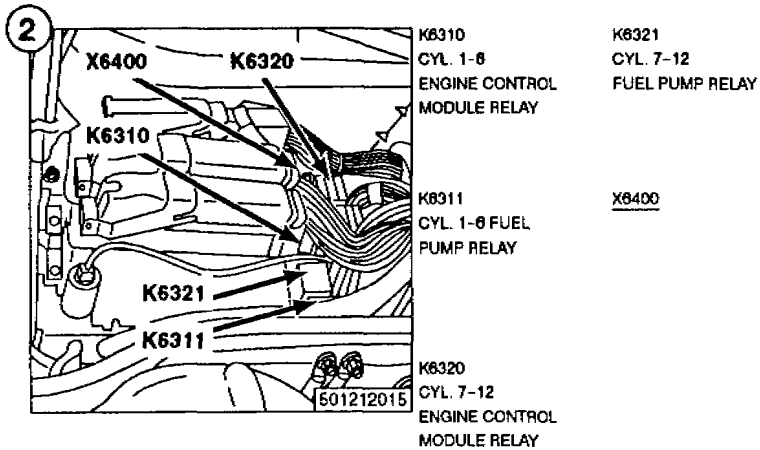
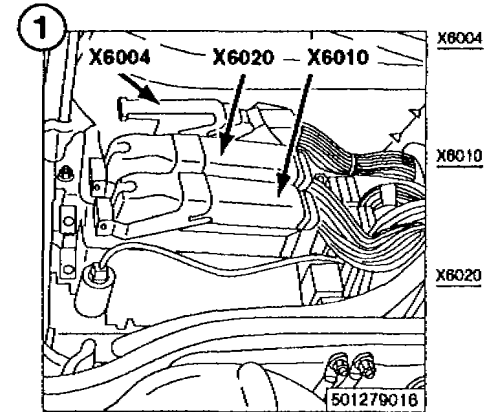
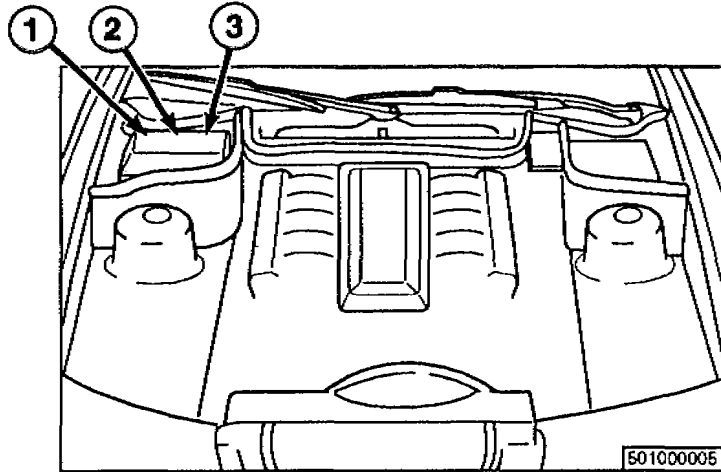


COMPONENT LOCATION VIEWS



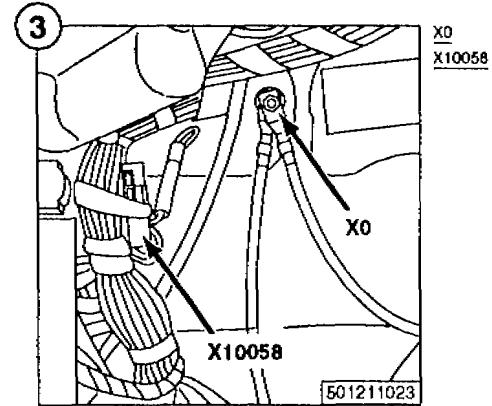
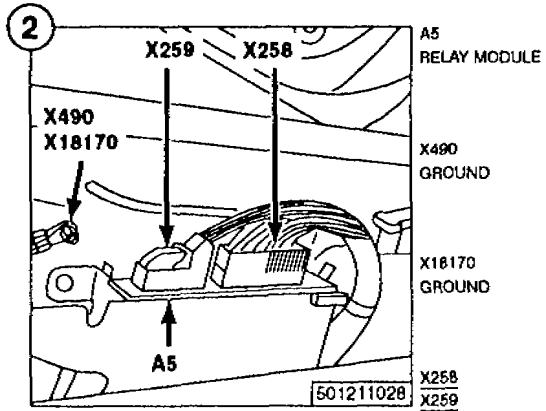
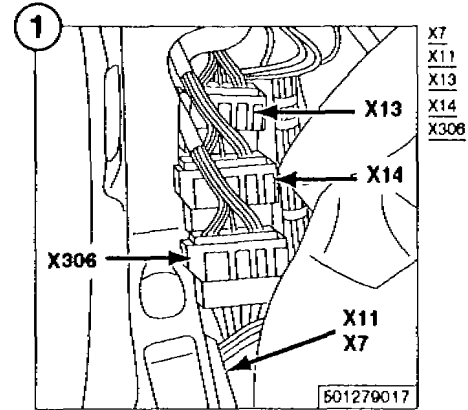
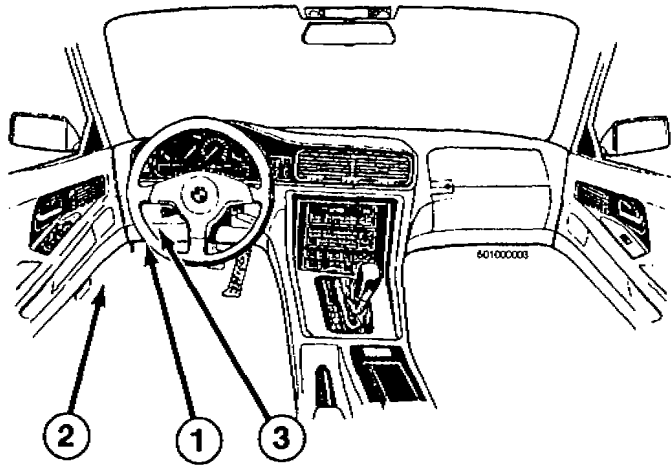


COMPONENT LOCATION VIEWS



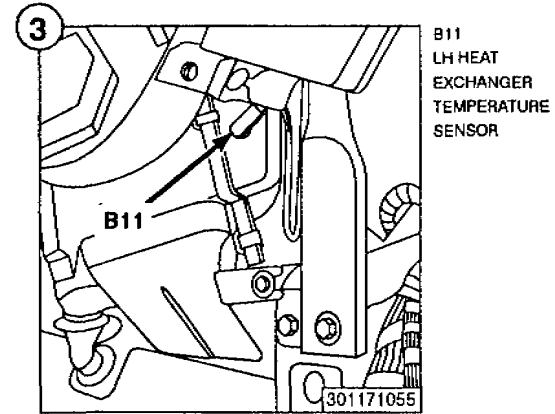
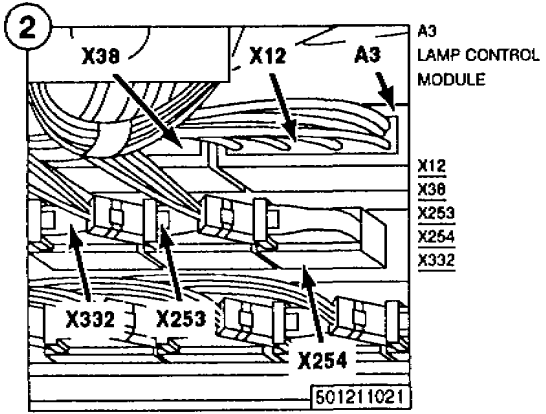
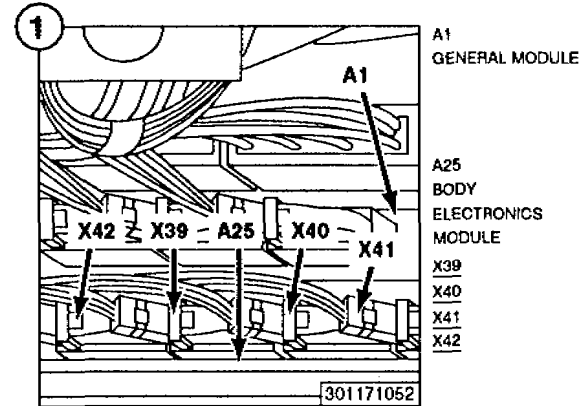
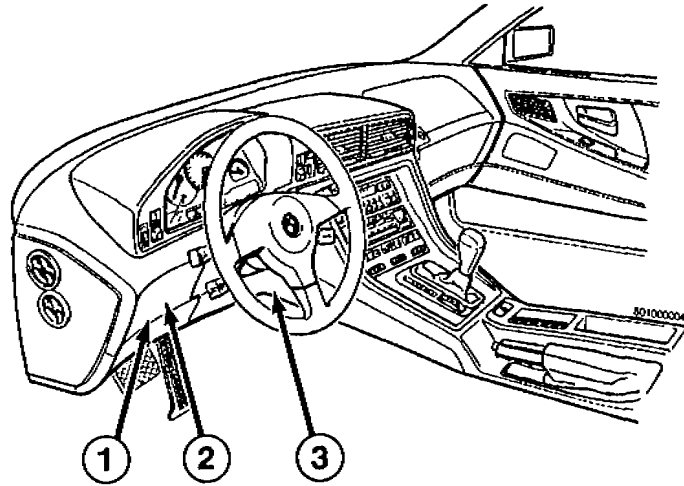


COMPONENT LOCATION VIEWS



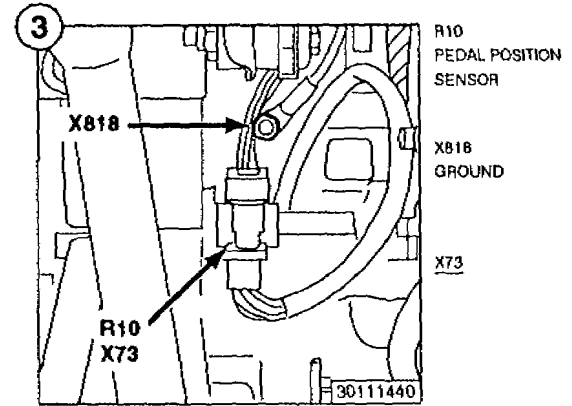
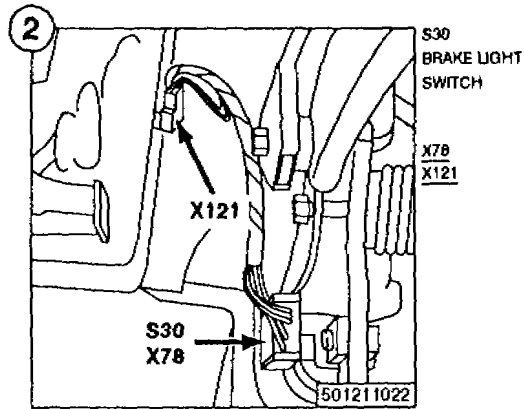
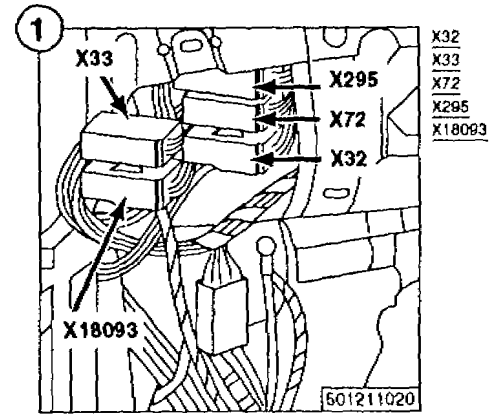
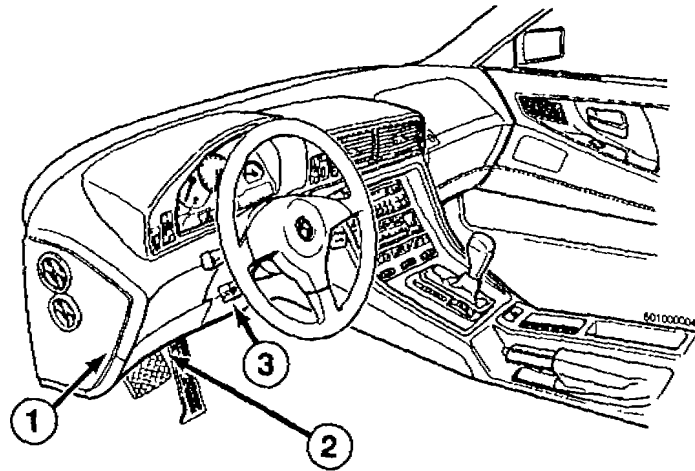


COMPONENT LOCATION VIEWS



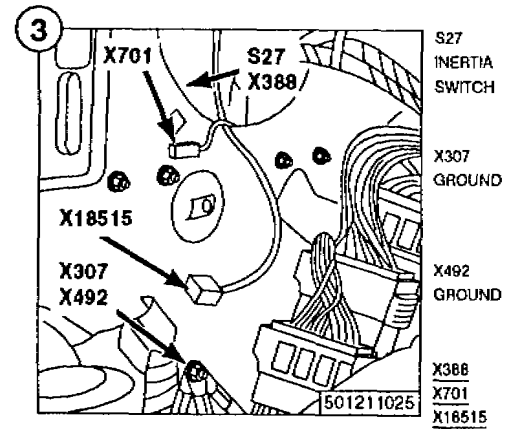
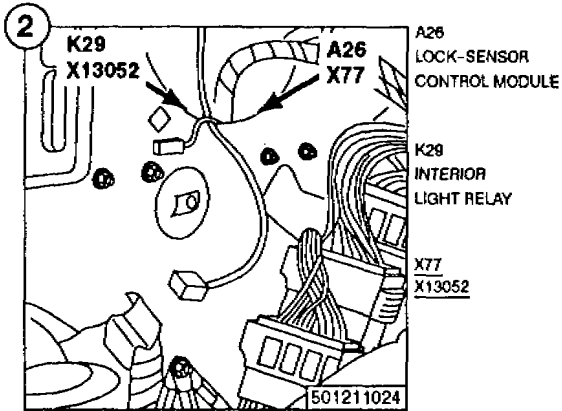
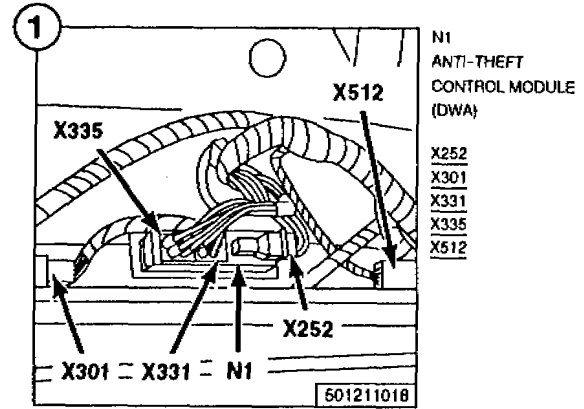
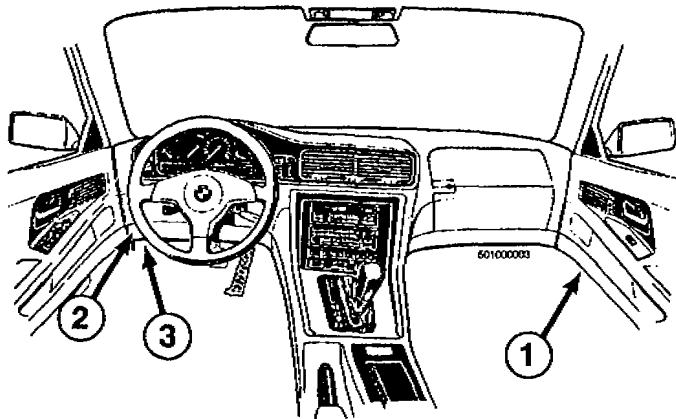


COMPONENT LOCATION VIEWS



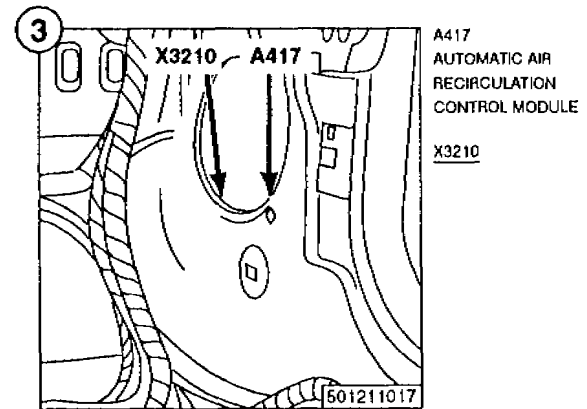
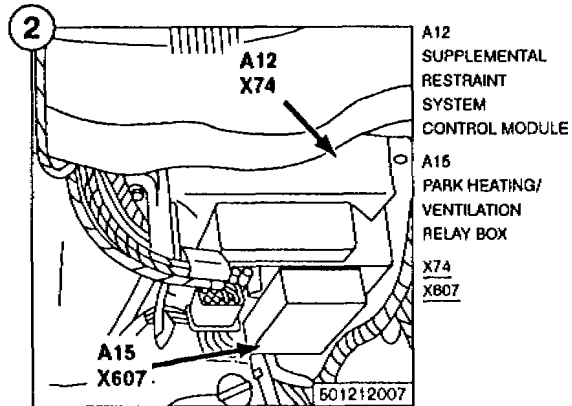
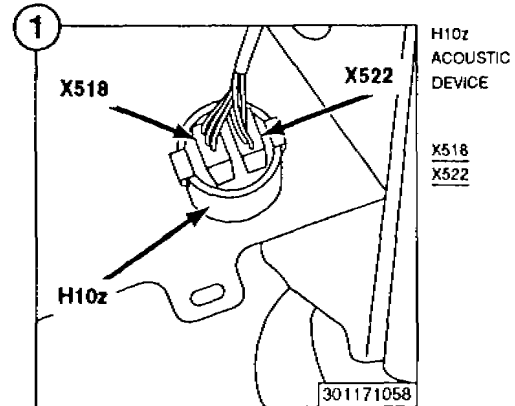
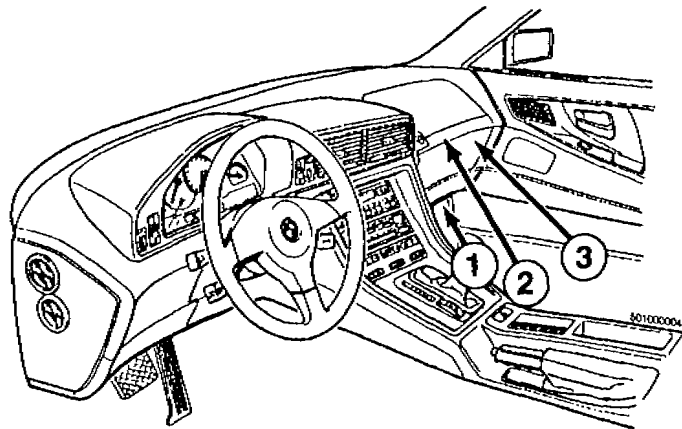


COMPONENT LOCATION VIEWS



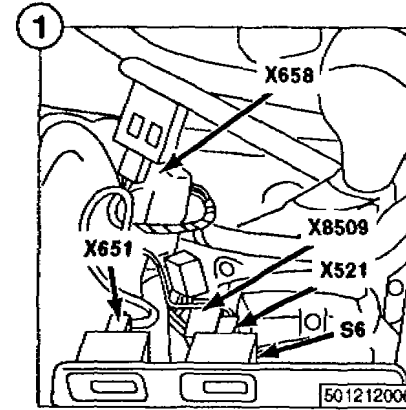
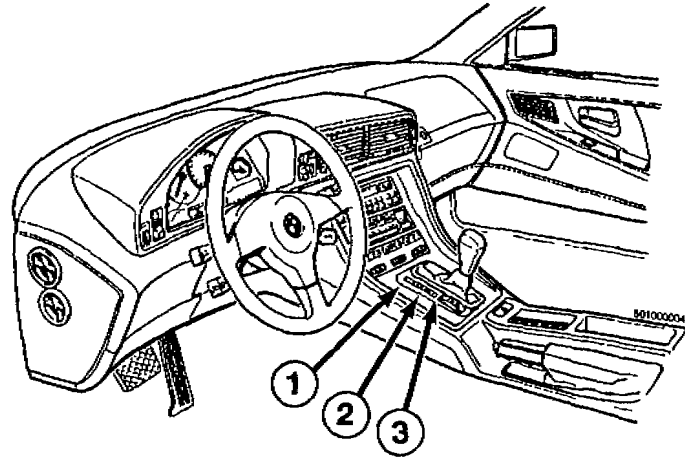


COMPONENT LOCATION VIEWS



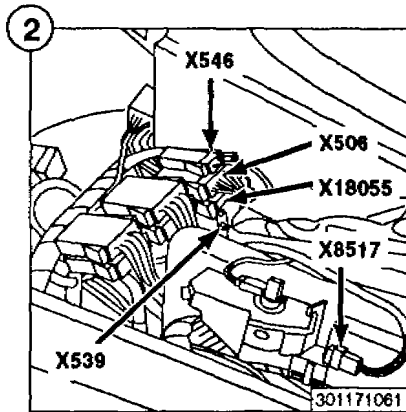


COMPONENT LOCATION VIEWS

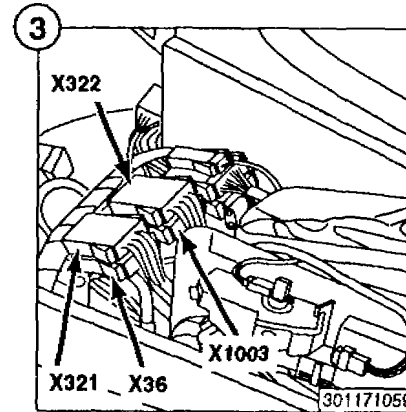


S6
ASC SWITCH

X621
X651
X656
X8509



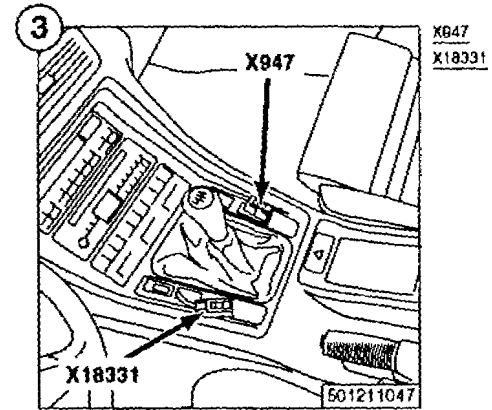
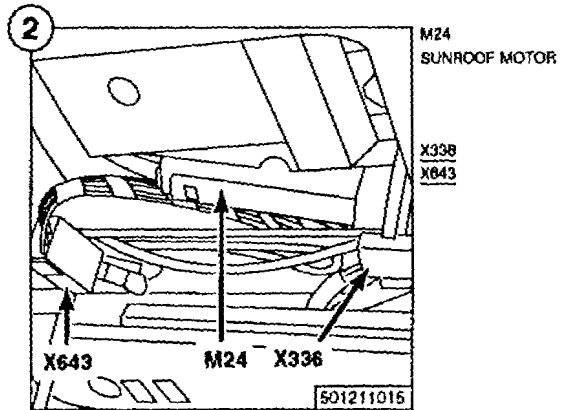
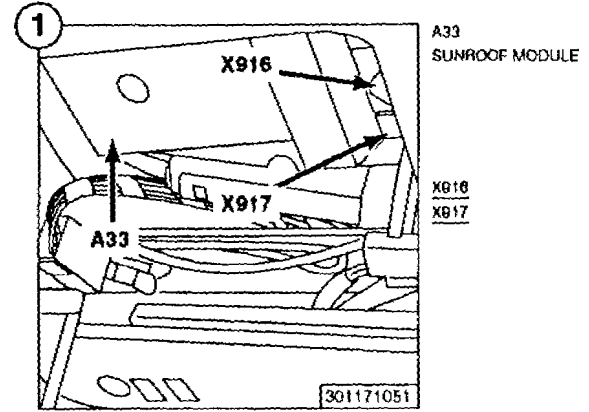
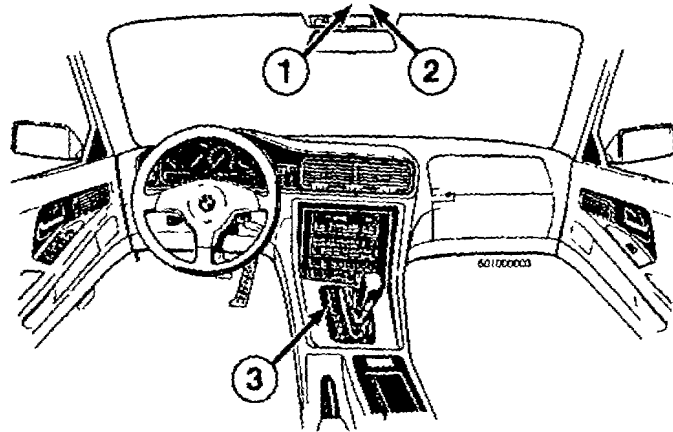
X506
X539
X546
X8517
X18055



X38
X321
X322
X1003

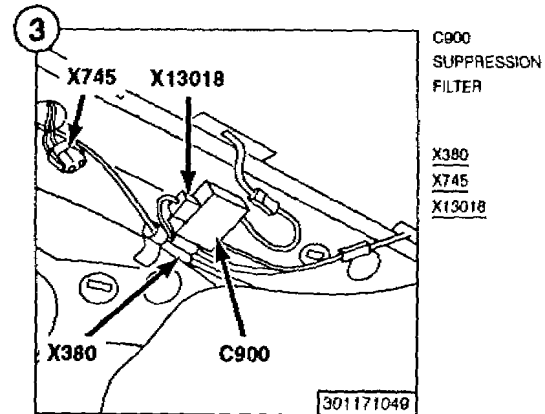
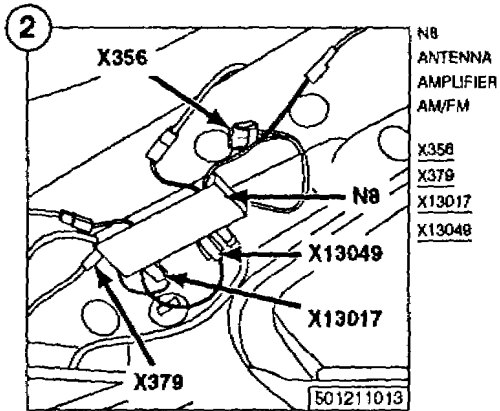
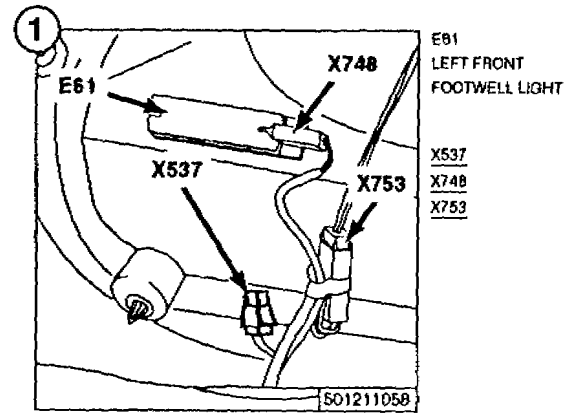
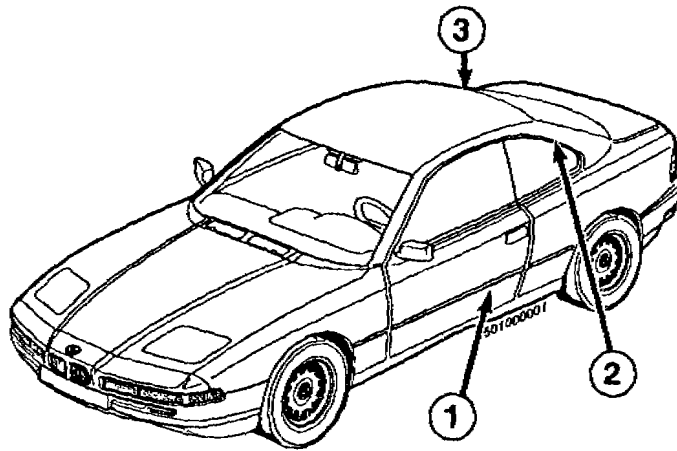


COMPONENT LOCATION VIEWS



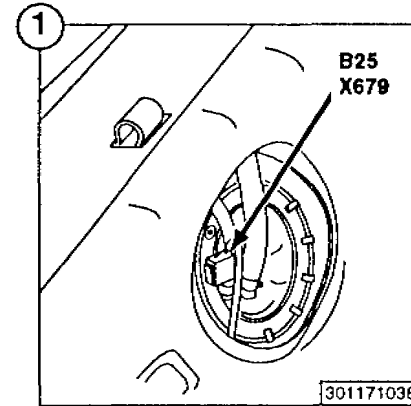
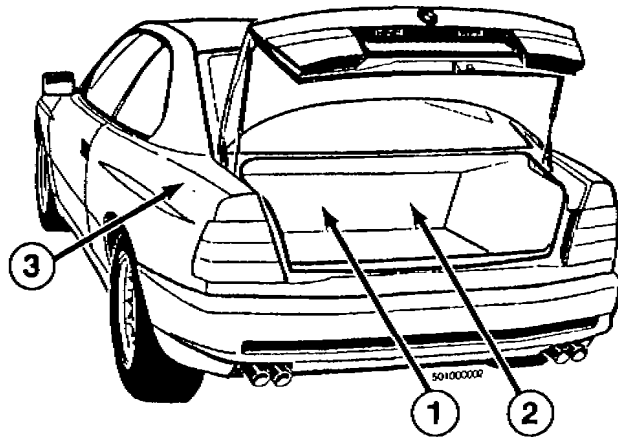


COMPONENT LOCATION VIEWS



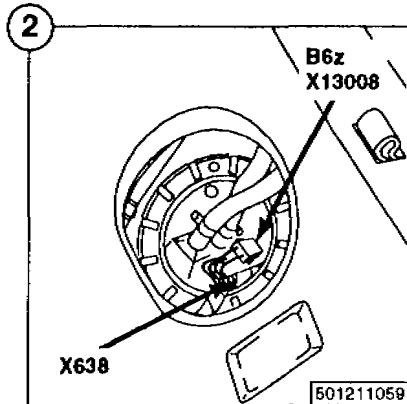


COMPONENT LOCATION VIEWS



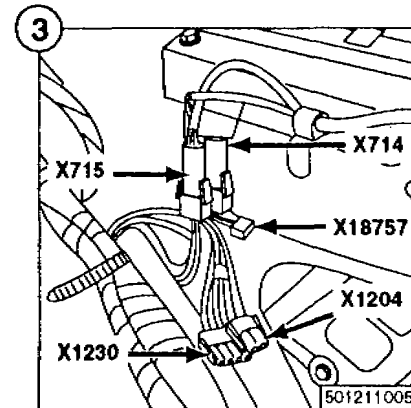
B25
FUEL LEVEL
SENSOR II

X879



B6z
FUEL LEVEL
SENSOR I

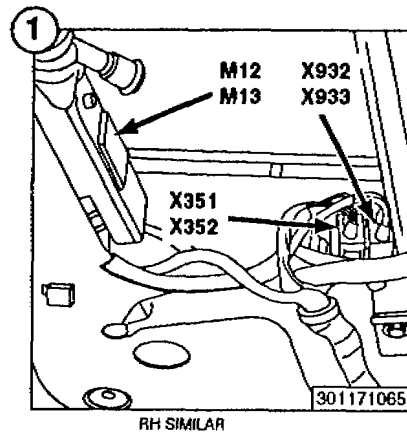
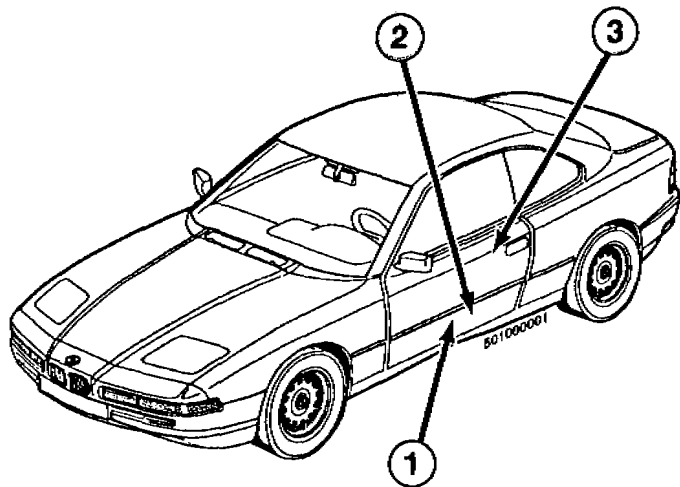
X838
X13008



X714
X715
X1204
X1230
X18757

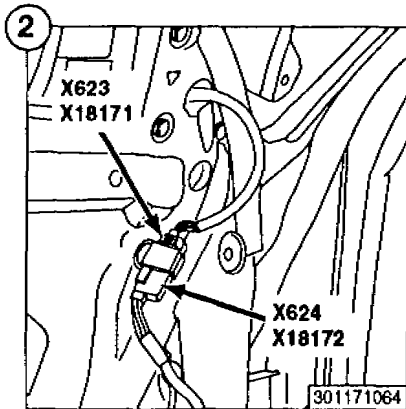


COMPONENT LOCATION VIEWS

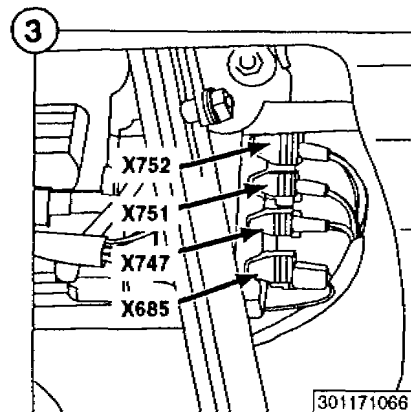


- M12 DRIVER'S DOOR LOCK MOTOR
- M13 PASSENGER'S DOOR LOCK MOTOR
- X351
- X352
- X932
- X933

RH SIMILAR



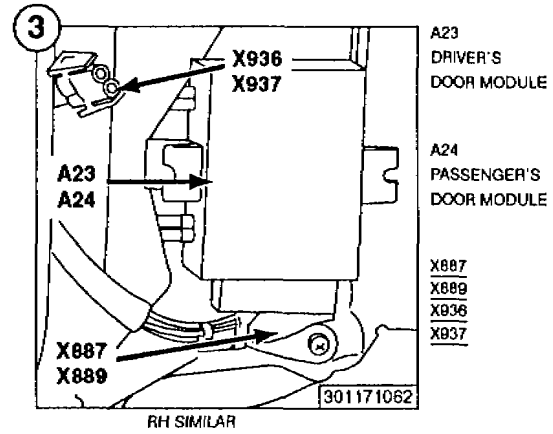
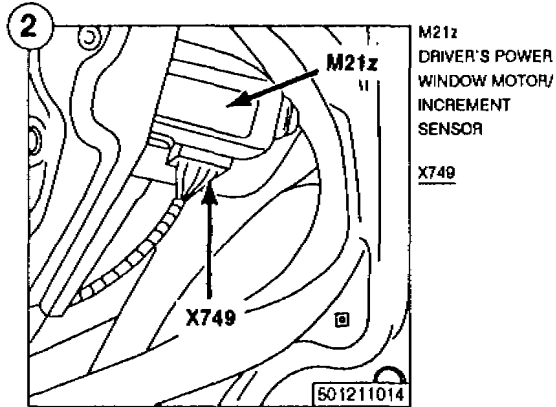
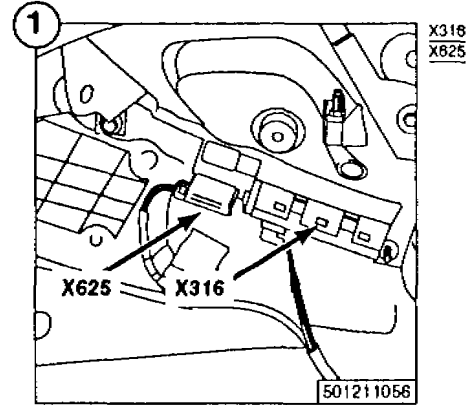
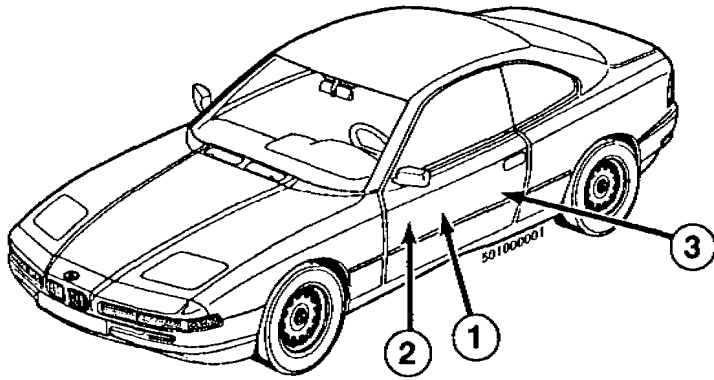
RH SIMILAR



- X885
- X747
- X751
- X752

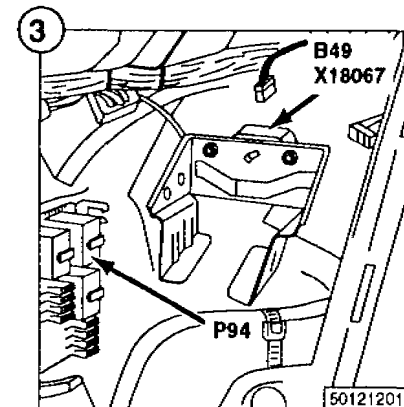
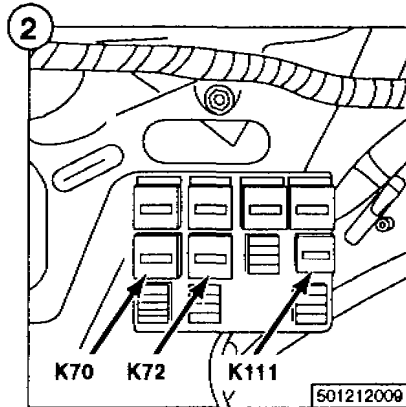
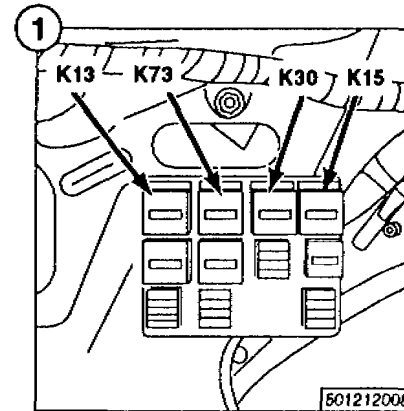
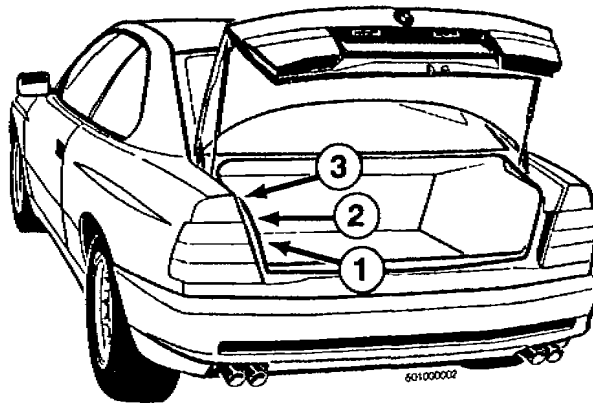


COMPONENT LOCATION VIEWS



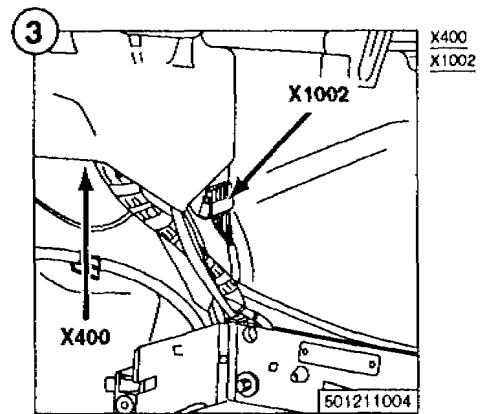
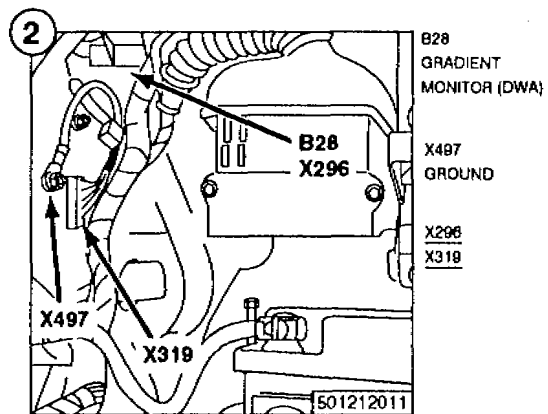
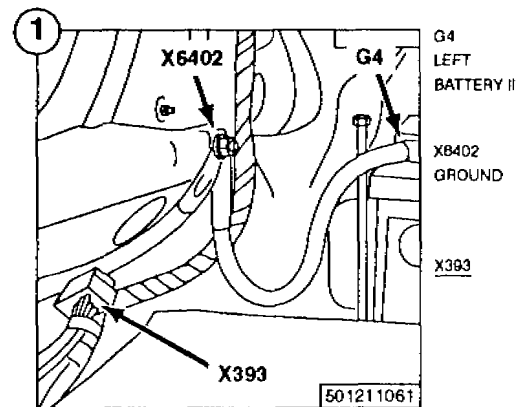
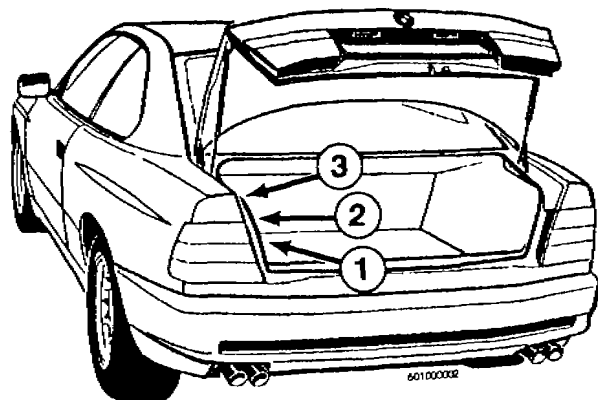


COMPONENT LOCATION VIEWS



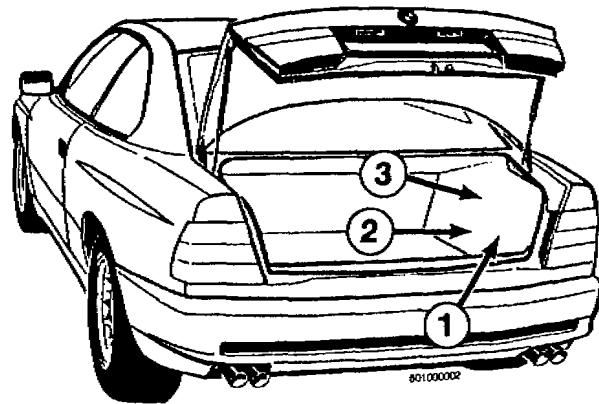


COMPONENT LOCATION VIEWS

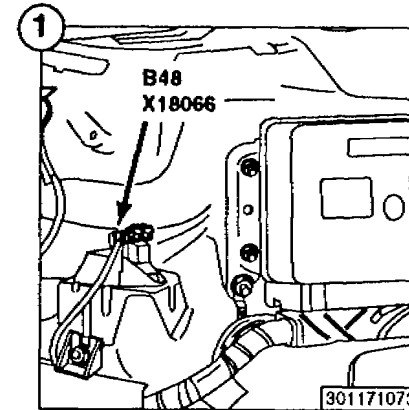




COMPONENT LOCATION VIEWS



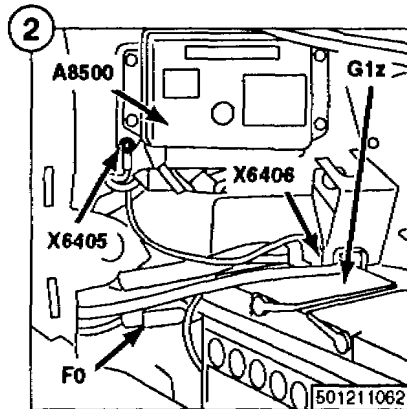
50100002



B48
RIGHT REAR
ACCELERATION
SENSOR

X18066

301171073



A8500
TRANSMISSION
CONTROL MODULE
(EGS)

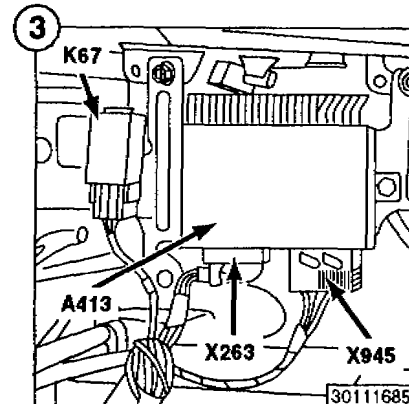
G1z
RIGHT
BATTERY I

F0
FUSIBLE LINK

X6405
GROUND

X6406

501211062



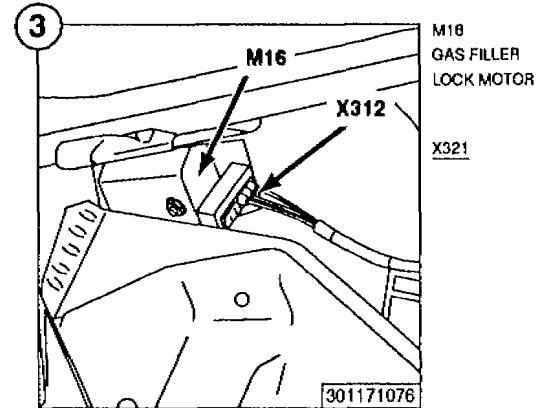
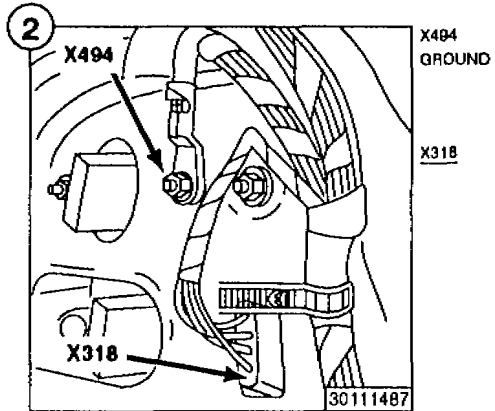
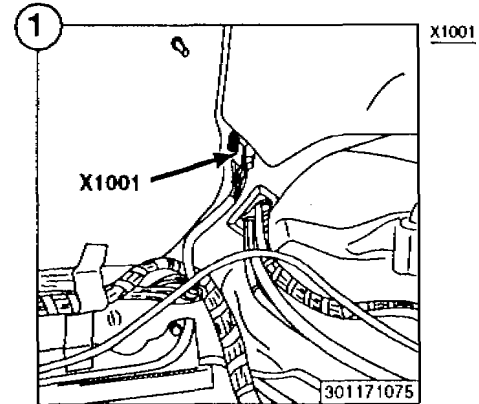
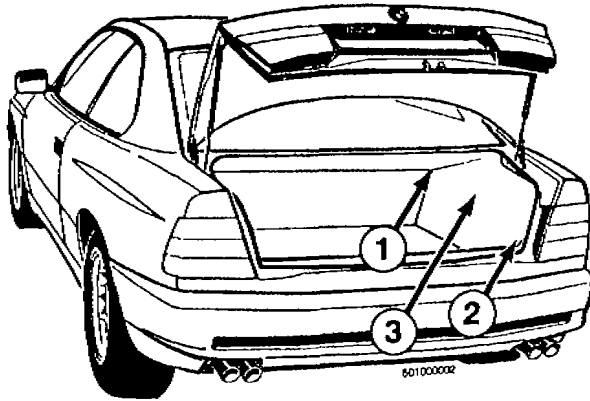
A413
ELECTRONIC
SHOCK
ABSORBER
CONTROL
MODULE (EDC)

K67
EDC RELAY

X263
X945

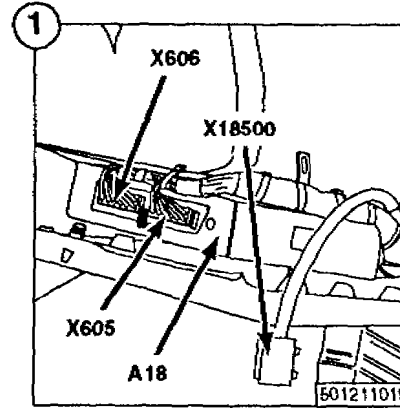
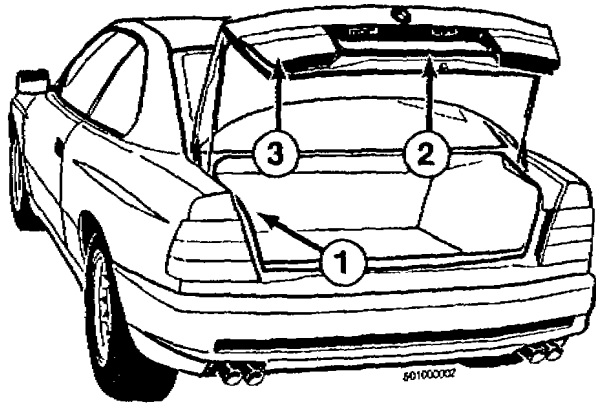
30111685

COMPONENT LOCATION VIEWS



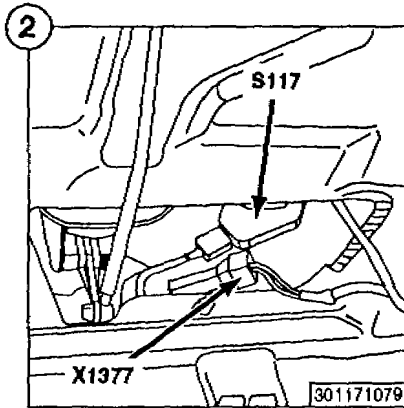


COMPONENT LOCATION VIEWS



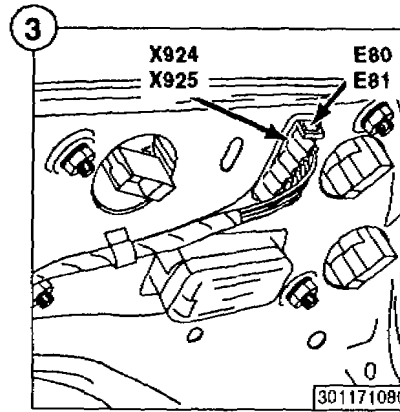
A18
HIFI AMPLIFIER

X605
X606
X18500



S117
TRUNK LID
LOCKING SWITCH

X1377



E80
LEFT REAR
LIGHT
ASSEMBLY II

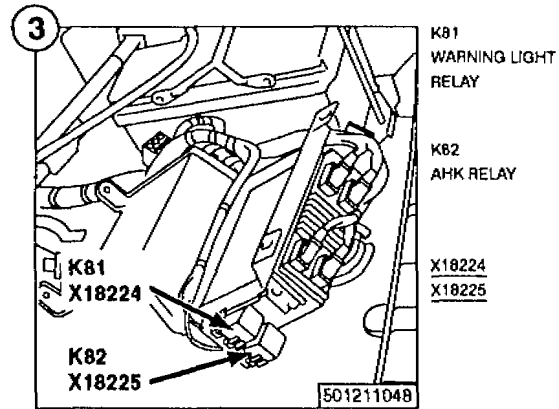
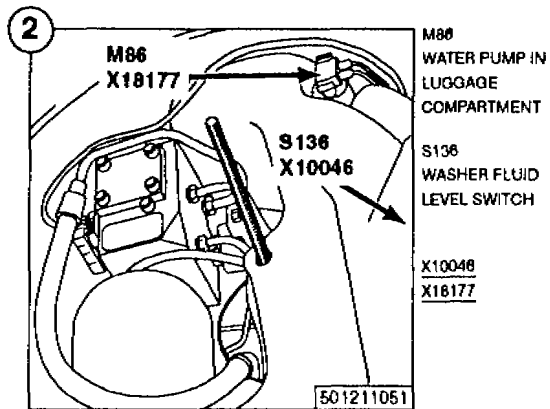
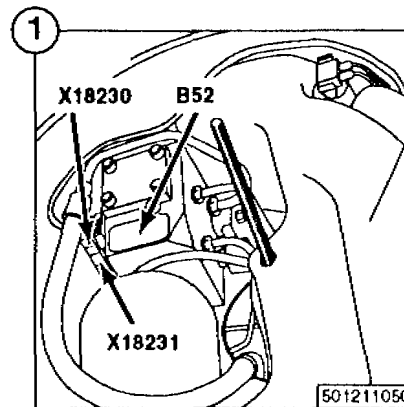
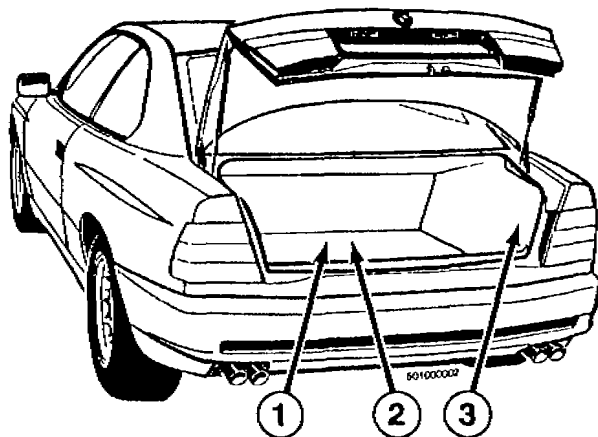
E81
RIGHT REAR
LIGHT
ASSEMBLY II

X924
X925

RH SIMILAR

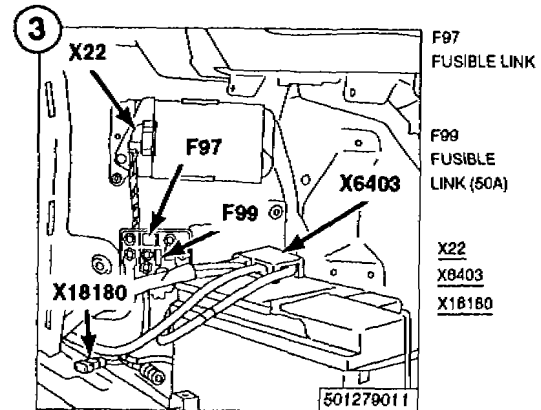
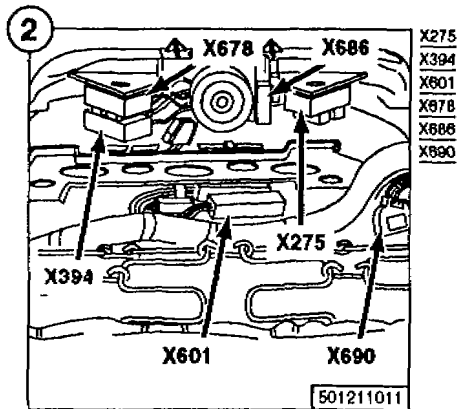
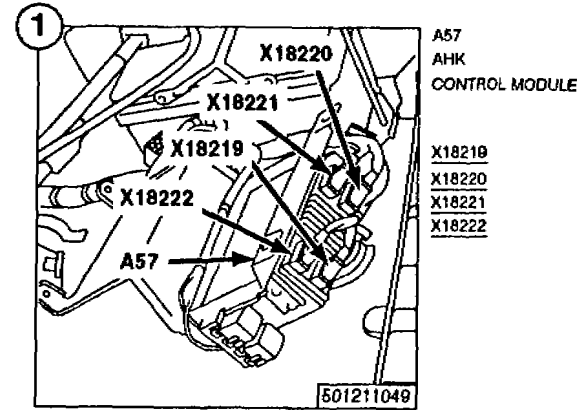
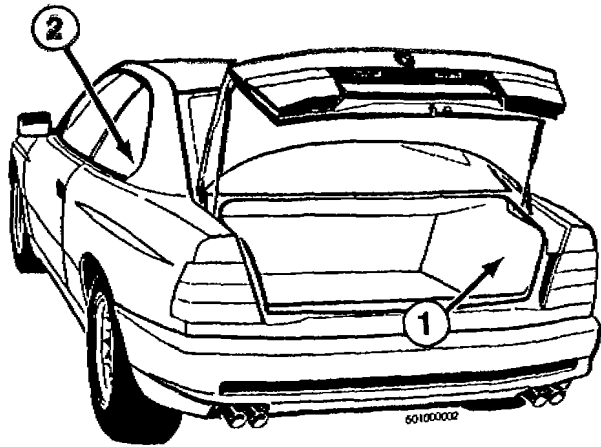


COMPONENT LOCATION VIEWS





COMPONENT LOCATION VIEWS



BMW
8

8000.0



SPLICE LOCATION VIEWS

SPLICE LOCATION INDEX

SPLICE	HARNESS	PAGE NUMBER	SPLICE	HARNESS	PAGE NUMBER
X181-X190	FRONT	8000.0-02	X934	DRIVER'S DOOR	NOT SHOWN
X195	CHASSIS	8000.0-03	X935	PASSENGER'S DOOR	NOT SHOWN
X196-X208	FRONT	8000.0-02	X939	REAR	8000.0-04
X212-X265	FRONT	8000.0-02	X943	SUNSHADE	NOT SHOWN
X267	REAR	8000.0-04	X960-X980	BATTERY	NOT SHOWN
X276	FRONT	8000.0-02	X1006	REAR	8000.0-04
X427-X486	REAR	8000.0-04	X1017-X1018	CHASSIS	8000.0-03
X557	GLOVE BOX LIGHTS	NOT SHOWN	X1022-X1036	FRONT	8000.0-02
X558-X559	REAR	8000.0-04	X1180	CHASSIS	8000.0-03
X560	FRONT	8000.0-02	X1183	FRONT	8000.0-02
X566-X567	CHASSIS	8000.0-03	X1200	FRONT	8000.0-02
X582-X704	FRONT	8000.0-02	X1202-X1215	REAR	8000.0-04
X801	FRONT	8000.0-02	X1351-X1356	CHASSIS	8000.0-03
X805	REAR	8000.0-04	X1359-X1378	REAR	8000.0-04
X806	FRONT	8000.0-02	X1411-X1414	CHASSIS	8000.0-03
X824	RADIO	NOT SHOWN	X1472	REAR	8000.0-04
X830	RADIO	NOT SHOWN	X6245	ENGINE	8000.0-05
X833	REAR	8000.0-04	X6412-X6491	M60 ENGINE	8000.0-05
X840	DRIVER'S SEAT	NOT SHOWN	X6411-X8047	ENGINE	NOT SHOWN
X844	PASSENGER'S SEAT	NOT SHOWN	X6810-X6866	M60 ENGINE	8000.0-05
X848-X851	DRIVER'S DOOR	NOT SHOWN	X6900-6908	M60 ENGINE	8000.0-05
X852-X859	IHKA	NOT SHOWN	X8004-X8072	M60 ENGINE	8000.0-05
X878	RADIO	NOT SHOWN	X8561-X8576	M60 ENGINE	8000.0-05
X891-X892	PASSENGER'S DOOR	NOT SHOWN	X8564-X8565	FRONT	8000.0-02
X894	REAR	8000.0-04	X10014-X10056	FRONT	8000.0-02
X914	FRONT	8000.0-02	X10064	CHASSIS	8000.0-03
X926-X927	DRIVER'S DOOR	NOT SHOWN	X10090	REAR	8000.0-04
X928-X929	PASSENGER'S DOOR	NOT SHOWN	X11245	FRONT	8000.0-02



SPLICE LOCATION VIEWS

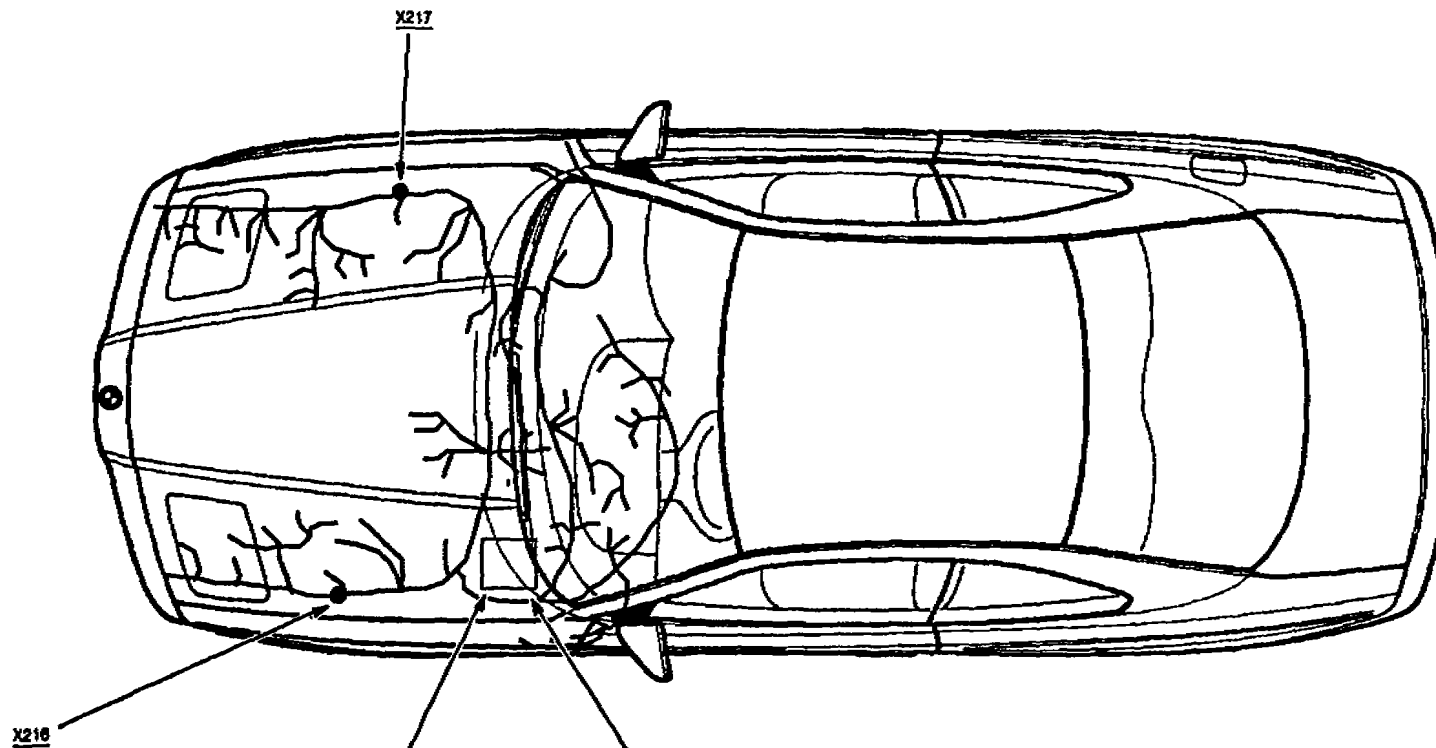
SPLICE LOCATION INDEX

SPLICE	HARNESS	PAGE NUMBER	SPLICE	HARNESS	PAGE NUMBER
X11267	FRONT	8000.0-02	X18768	CHASSIS	8000.0-03
X13000	REAR	8000.0-04	X18769	CHASSIS	8000.0-03
X13047	REAR	8000.0-04	X18780	FRONT	8000.0-02
X13133	REAR	8000.0-04	X19507	FRONT	8000.0-02
X13141	REAR	8000.0-04	X19515	DRIVER'S DOOR	NOT SHOWN
X18026-X18046	CHASSIS	8000.0-03	X19516	PASSENGER'S DOOR	NOT SHOWN
X18044	FRONT	8000.0-02	X19526	CHASSIS	8000.0-03
X18048	REAR	8000.0-04			
X18056-X18087	CHASSIS	8000.0-03			
X18091	DRIVER'S SEAT	NOT SHOWN			
X18092	PASSENGER'S SEAT	NOT SHOWN			
X18100-X18102	DRIVER'S SEAT	NOT SHOWN			
X18104-X18106	DRIVER'S SEAT	NOT SHOWN			
X18108	PARK HEATING/VENTILATION	NOT SHOWN			
X18121-X18122	REAR	8000.0-04			
X18123	DRIVER'S DOOR	NOT SHOWN			
X18140-X18142	IHKA	NOT SHOWN			
X18174	RADIO	NOT SHOWN			
X18175	DRIVER'S SEAT	NOT SHOWN			
X18182	RADIO	NOT SHOWN			
X18217	DRIVER'S DOOR	NOT SHOWN			
X18226-X18241	CHASSIS	8000.0-03			
X18299-X18335	CHASSIS	8000.0-03			
X18247	DRIVER'S SEAT	NOT SHOWN			
X18737	DRIVER'S SEAT	NOT SHOWN			
X18738	PASSENGER'S SEAT	NOT SHOWN			
X18740	GLOVE BOX LIGHTS	NOT SHOWN			
X18744-X18747	FRONT	8000.0-02			



SPLICE LOCATION VIEWS

FRONT HARNESS



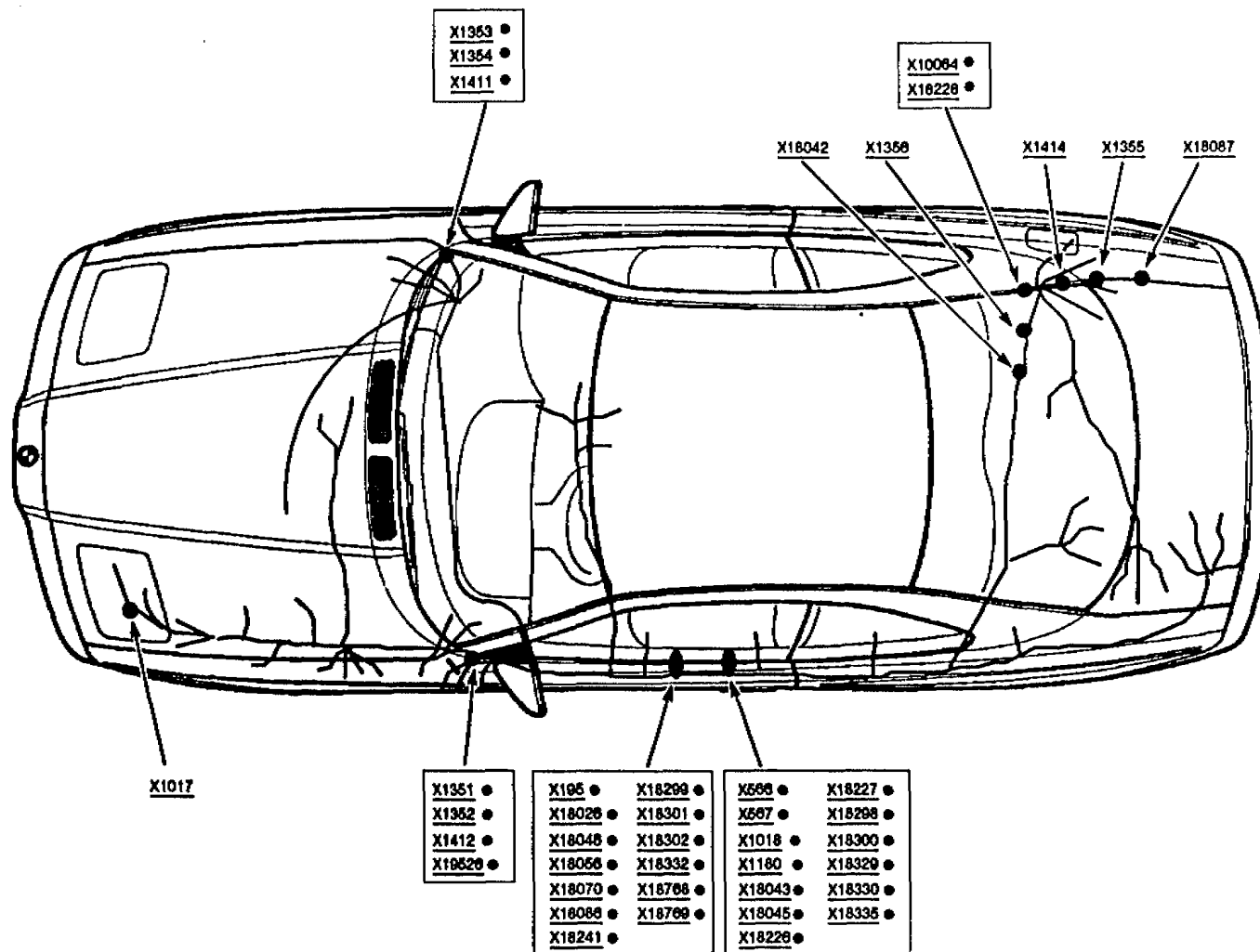
X184	X245	X801
X185	X246	X814
X188	X247	X1022
X201	X248	X1200
X203	X249	X10014
X205	X250	X18744
X208	X261	X18745
X212	X284	X18746
X224	X285	X18747
X240	X560	

X181	X215	X1038
X182	X222	X1183
X183	X223	X8584
X190	X226	X8585
X196	X241	X10043
X198	X243	X10058
X199	X276	X11267
X200	X582	X18044
X204	X806	X18780
X213	X1023	X18507



SPLICE LOCATION VIEWS

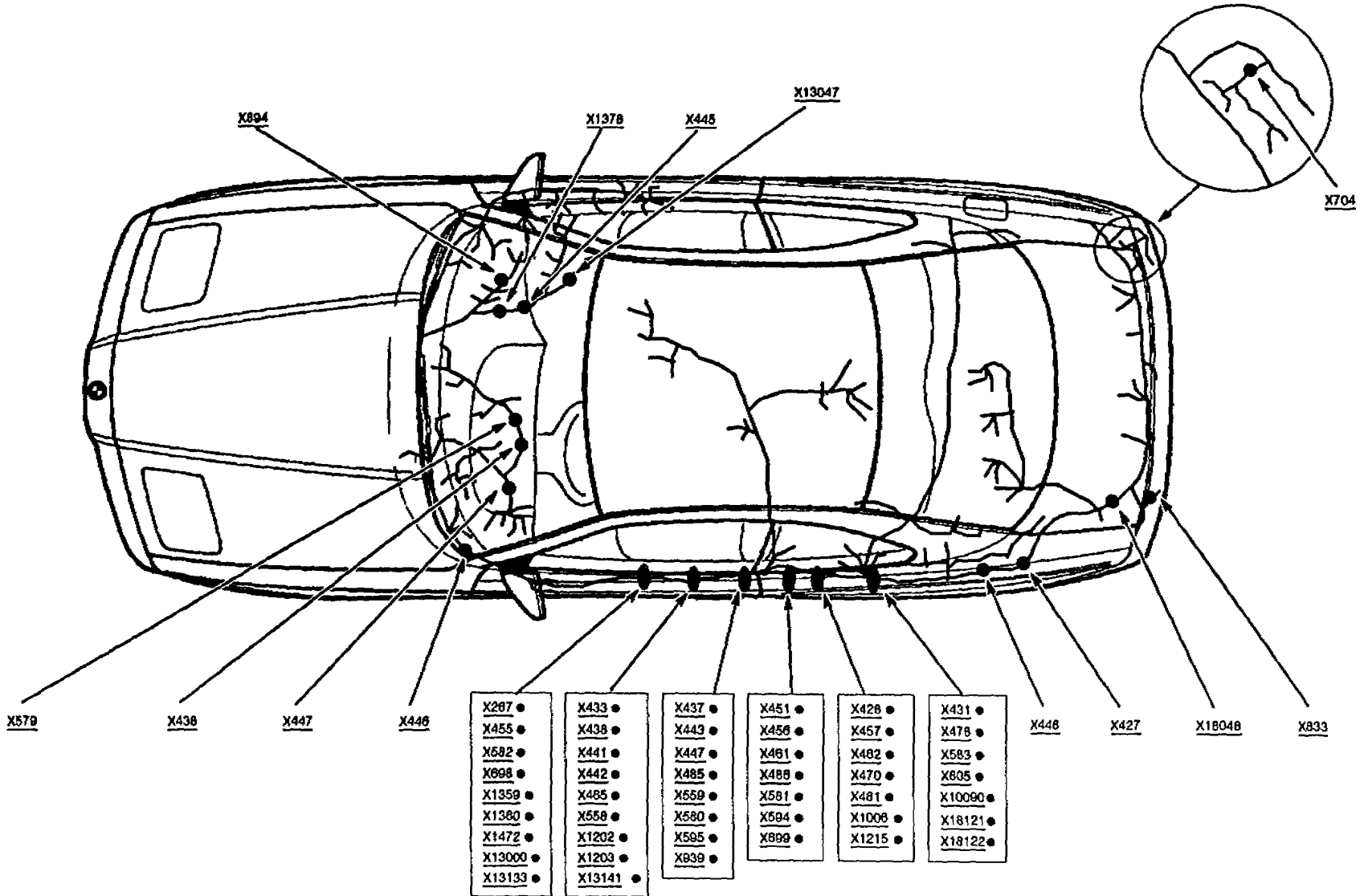
CHASSIS HARNESS





SPLICE LOCATION VIEWS

REAR HARNESS



BMW
8

8500.0



CONNECTOR VIEWS

FIG. 1

B880001.00

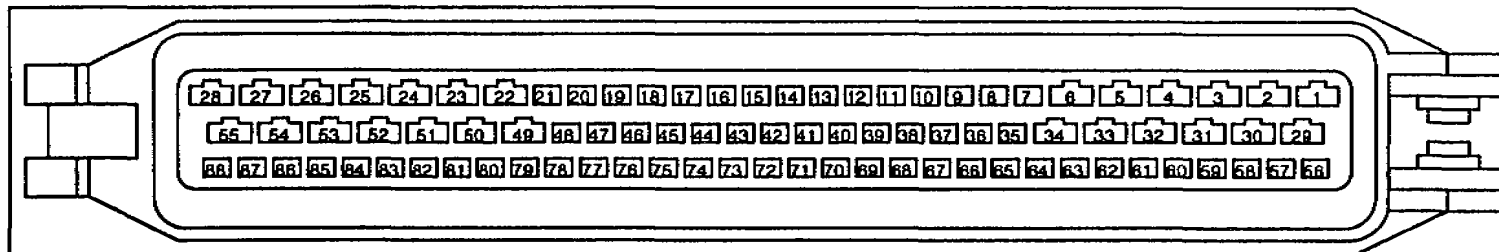


FIG. 2

B550001.00

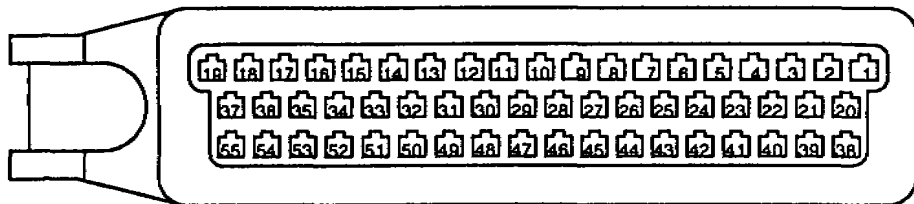
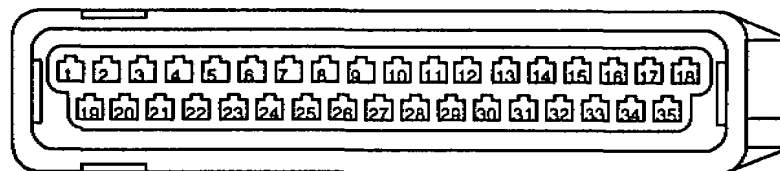


FIG. 3

B350002.05





CONNECTOR VIEWS

FIG. 1

B300001.01

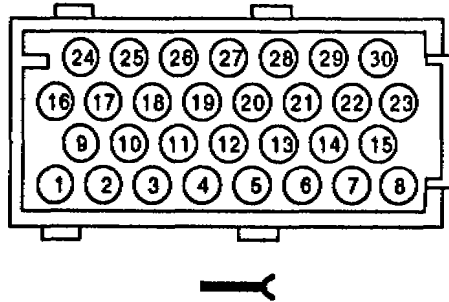


FIG. 2

B260005.01

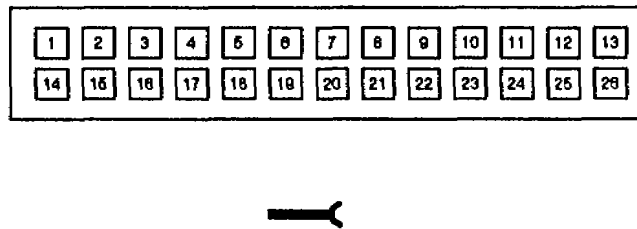


FIG. 3

B260002.00

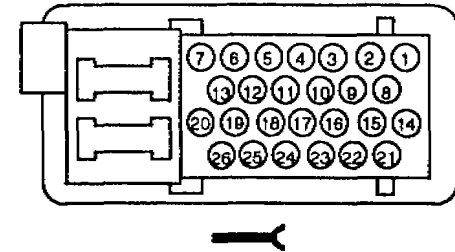


FIG. 4

B260002.00

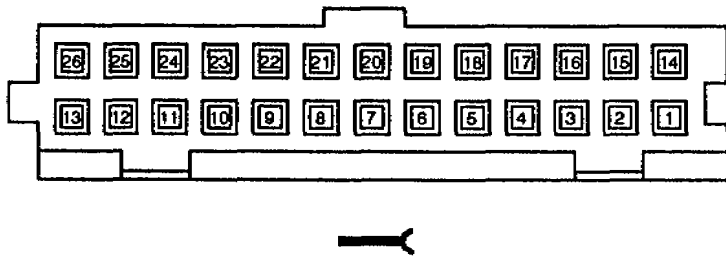


FIG. 5

B250001.02

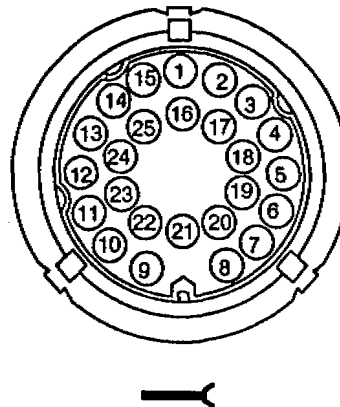
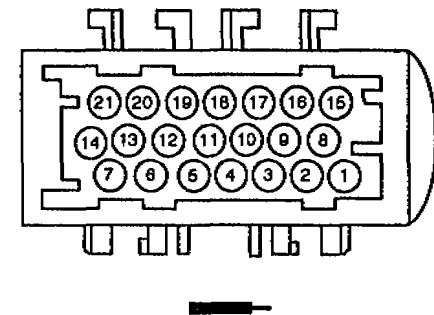


FIG. 6

B210001.00





CONNECTOR VIEWS

FIG. 1

B200007.00

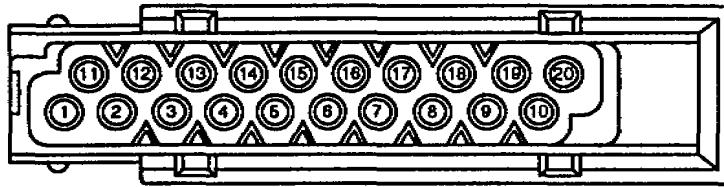


FIG. 2

B200003.00

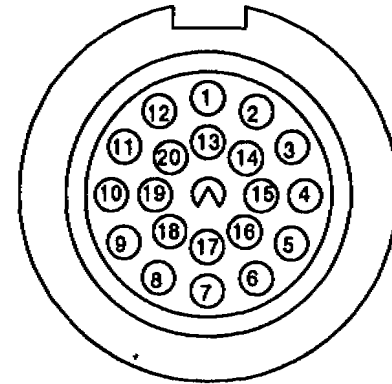


FIG. 3

B180000.01

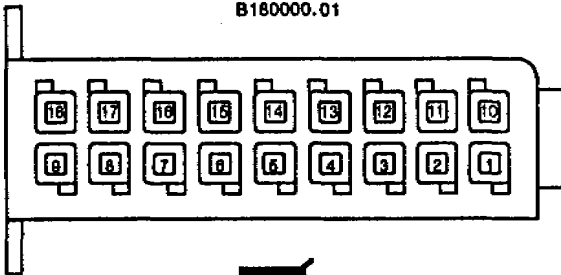


FIG. 4

B170001.00

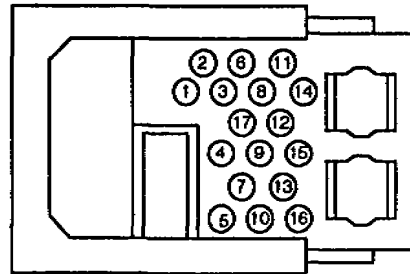
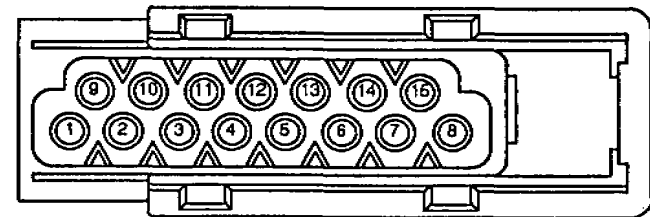


FIG. 5

B150002.00





CONNECTOR VIEWS

FIG. 1

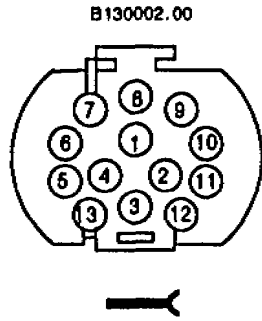


FIG. 2

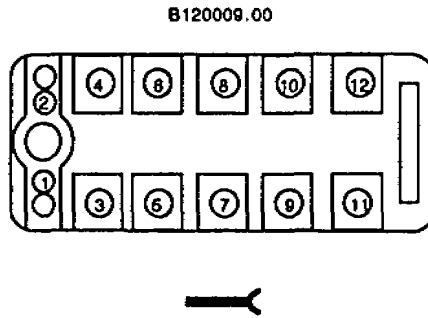


FIG. 3

B120015.02

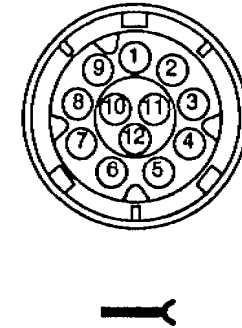


FIG. 4

B120013.00

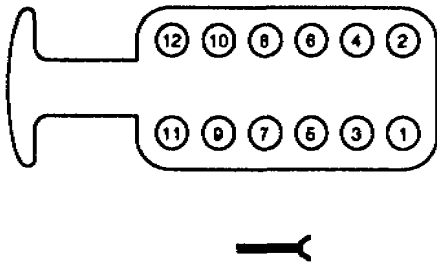


FIG. 5

B120011.01

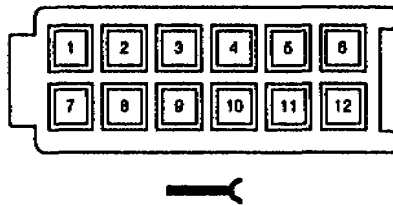
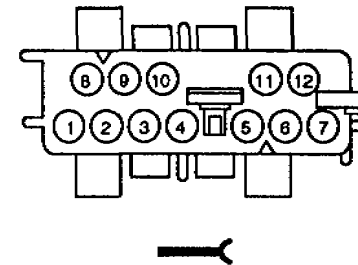


FIG. 6

B120005.00





CONNECTOR VIEWS

FIG. 1

B120002.02

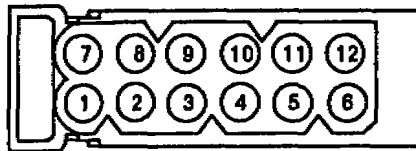


FIG. 2

B120006.00

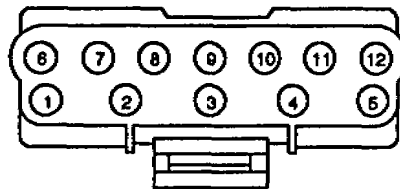


FIG. 3

B120004.05

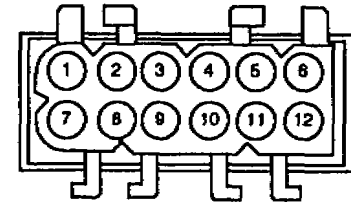


FIG. 4

B120008.00

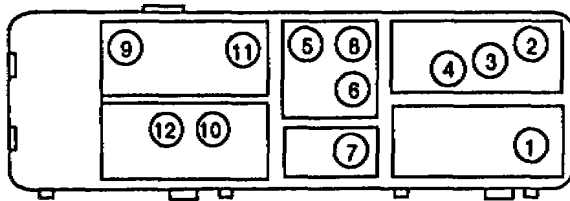


FIG. 5

B100004.01

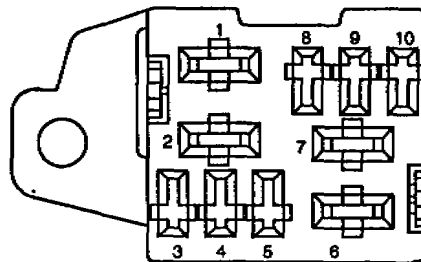
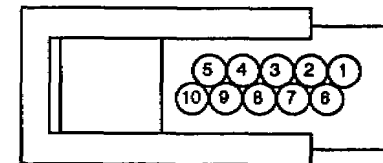


FIG. 6

B100007.00





CONNECTOR VIEWS

FIG. 1

B100009.00

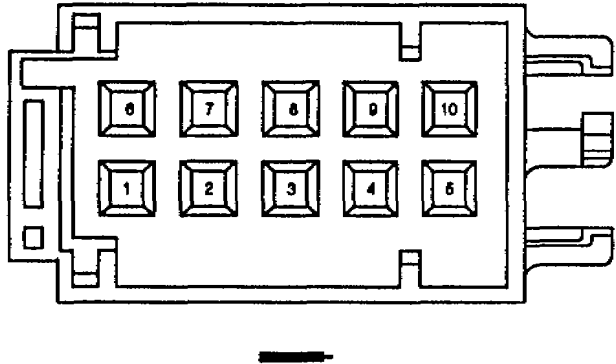


FIG. 2

B100010.00

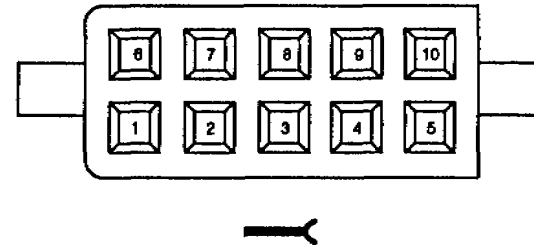


FIG. 3

B100008.00

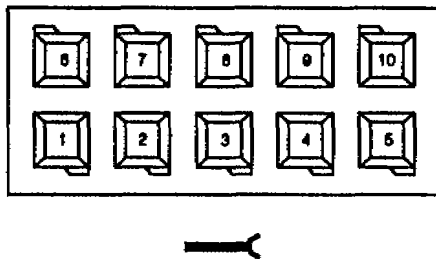


FIG. 4

B080001.00

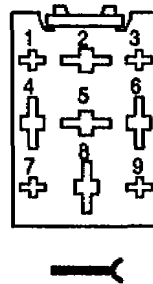
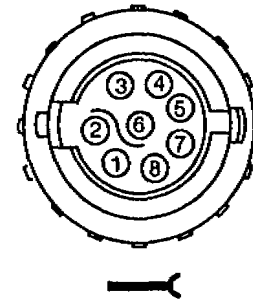


FIG. 5

B080003.01





CONNECTOR VIEWS

FIG. 1

B080005.00

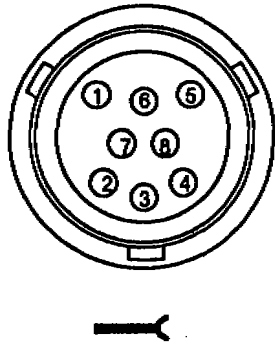


FIG. 2

B080006.00

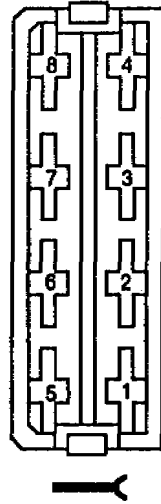


FIG. 3

B080001.01

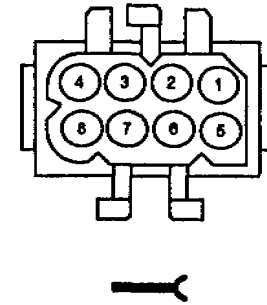


FIG. 4

B080002.00

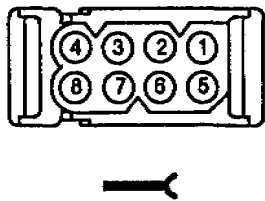


FIG. 5

B070005.01

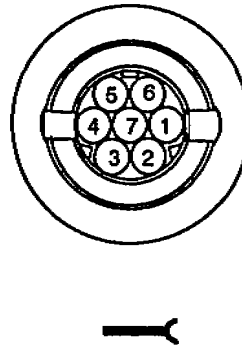
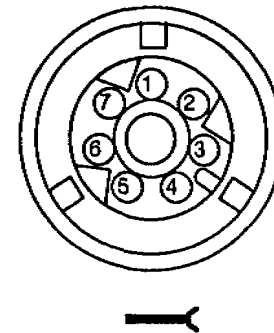


FIG. 6

B070007.02





CONNECTOR VIEWS

FIG. 1

B060006.00

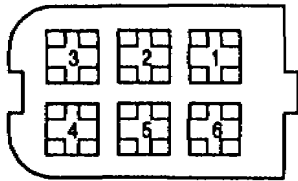


FIG. 2

B060035.00

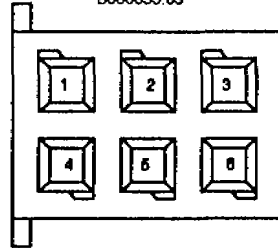


FIG. 3

B060038.00

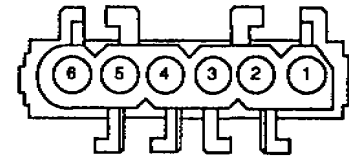


FIG. 4

B060016.00

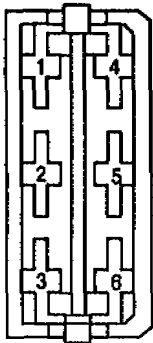


FIG. 5

B060009.00

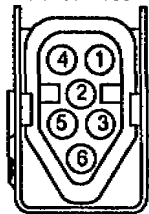
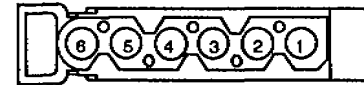


FIG. 6

B060017.00





CONNECTOR VIEWS

FIG. 1

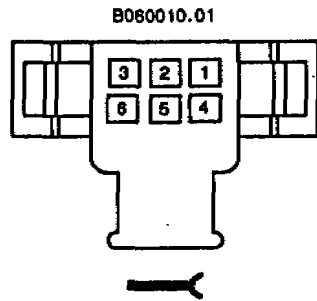


FIG. 2

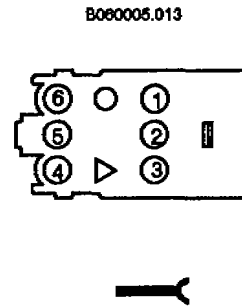


FIG. 3

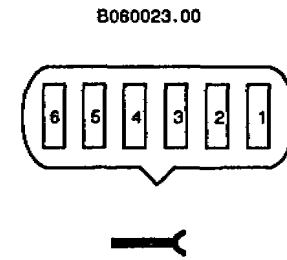


FIG. 4

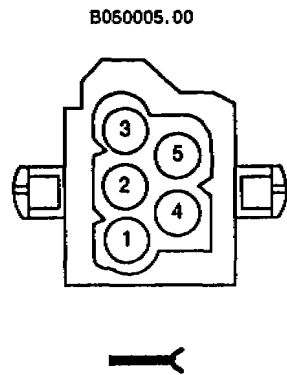


FIG. 5

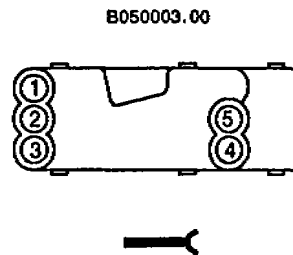
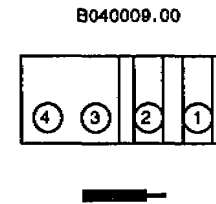


FIG. 6





CONNECTOR VIEWS

FIG. 1

B040021

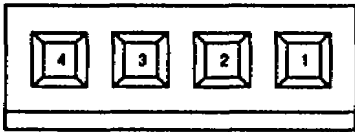


FIG. 2

B040004.00



FIG. 3

B040002.00

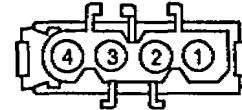


FIG. 4

B040017.01

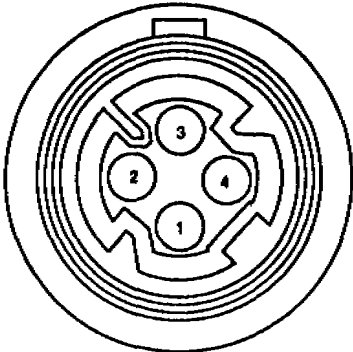


FIG. 5

B040013

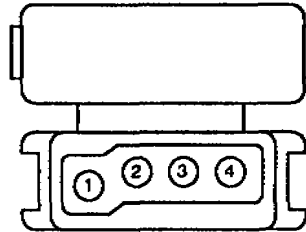
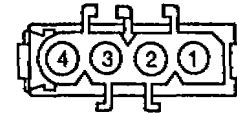


FIG. 6

B040002.04





CONNECTOR VIEWS

FIG. 1

B040018.04

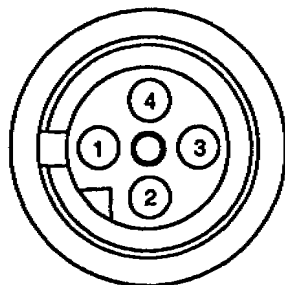


FIG. 2

B040015.00

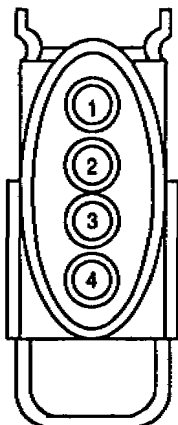


FIG. 3

B040003.00

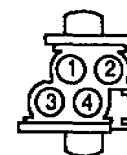


FIG. 4

B030041.00

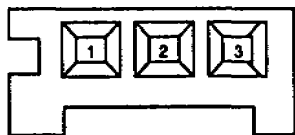


FIG. 5

B030024

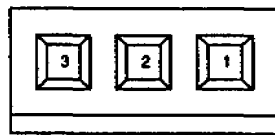
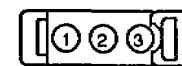


FIG. 6

B030003.04





CONNECTOR VIEWS

FIG. 1

B030015.00

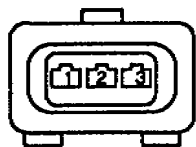


FIG. 2

B030001.00

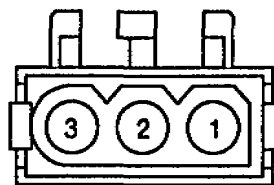


FIG. 3

B030027.00

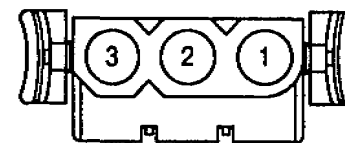


FIG. 4

B030022.00

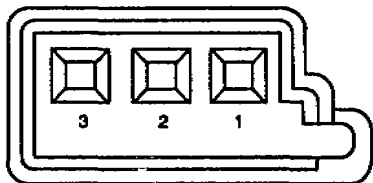
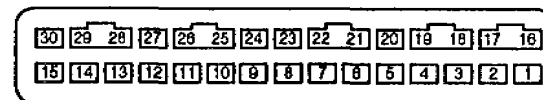


FIG. 5

B030003.00





CONNECTOR VIEWS

FIG. 1

B030037.00

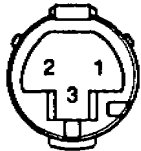


FIG. 2

B120016.00

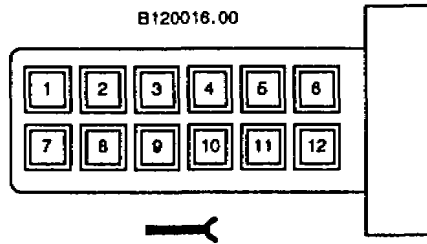


FIG. 3

B080019.00

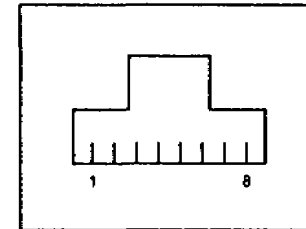


FIG. 4

B250003.00

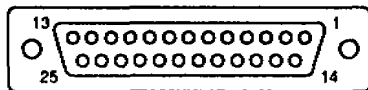


FIG. 5

B160001.00

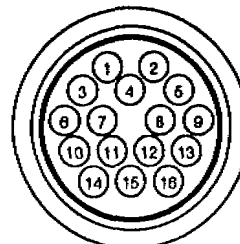
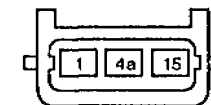


FIG. 6

B030015.12



BMW
8

8500.0-14