

1993

**BMW
850i
(E31)**

Electrical

**Troubleshooting
Manual**

Vehicles Produced 7/92 to 8/93



ELECTRICAL TROUBLESHOOTING MANUAL

8 SERIES – E31 (850i)

SCHEMATICS

MODEL YEAR 1993

0100.0	INDEX	3450.2	SLIP CONTROL (ABS/ASC+T)
0110.0	INTRODUCTION	3715.1	ELECTRONIC SHOCK ABSORBER CONTROL (EDC III+)
0140.0	SYMBOLS	5116.0	POWER MIRRORS
0670.0	POWER DISTRIBUTION CHART	5120.0	ZKE DOOR LOCK HEATING (TSH)
0670.1	FUSE CHART	5126.0	ZKE CENTRAL LOCKING (ZV)
0670.2	POWER DISTRIBUTION	5133.0	ZKE POWER WINDOWS (FH)
0670.3	FUSE DETAILS	5146.0	POWER SUN SHADES
0670.4	GROUND DISTRIBUTION	5200.0	POWER SEATS
0670.5	DATA LINK	5200.1	SEAT/MIRROR MEMORY SYSTEM (SM/SPM)
1210.6	ENGINE CONTROL SYSTEM (DME M1.7, 12-CYLINDER M70)	5203.0	HEATED SEATS
1230.0	CHARGING SYSTEM	5212.0	LUMBAR SUPPORT
1240.0	START	5410.0	ZKE SUNROOF (SHD)
1270.1	ELECTRONIC THROTTLE CONTROL (EML 12-CYLINDER)	6100.0	CENTRAL BODY ELECTRONICS (ZKE)
1290.0	E-BOX FAN	6133.0	HORN
2460.0	ELECTRONIC TRANSMISSION CONTROL (EGS 4HP-22)	6160.0	ZKE WIPER/WASHER CONTROL
3231.0	ELECTRIC STEERING COLUMN ADJUSTMENT	6164.0	ZKE WINDSHIELD WIPER PRESSURE CONTROL (ADV)
3231.1	STEERING COLUMN MEMORY (LSM)	6167.0	ZKE HEADLIGHT WASHER (SRA)
3234.0	SUPPLEMENTAL RESTRAINT SYSTEM (AIRBAG)	6169.0	WINDSHIELD WASHER JET HEATERS
3240.0	POWER ASSIST STEERING (SERVOTRONIC)	6210.0	BODY ELECTRONICS MODULE (EKM)
		6211.0	INSTRUMENT CLUSTER

SCHEMATICS

6300.0	LIGHT SWITCH DETAILS	6424.0	REAR WINDOW DEFOGGER
6301.0	LAMP MONITOR (LKM)	6450.0	AUTOMATIC HEATING/AC CONTROL (IHKA)
6312.0	HEADLIGHTS/FOG LIGHTS	6454.0	AUXILIARY FAN
6313.0	TURN/HAZARD LIGHTS	6510.1	RADIO/HIFI
6314.0	PARK/TAIL/UNDERHOOD LIGHTS	6561.0	CELLULAR TELEPHONE (PROVISIONS)
6320.0	LICENSE PLATE/LUGGAGE COMPARTMENT LIGHTS	6575.1	ANTI-THEFT SYSTEM III (DWA III)
6322.0	BACK UP LIGHTS	6581.0	ON-BOARD COMPUTER (BCIV)
6325.0	BRAKE LIGHTS	7000.0	COMPONENT LOCATION CHART
6330.0	ZKE INTERIOR LIGHTS CONTROL (IB)	7100.0	COMPONENT LOCATION VIEWS
6332.0	INTERIOR ACCESSORIES	8000.0	SPLICE LOCATION VIEWS
6350.0	CRASH CONTROL MODULE	8500.0	CONNECTOR VIEWS
6412.2	PARK VENTILATION WITH IHKA		



0100.0



INDEX

ABS HYDRAULIC UNIT, Y1	3450.2-02
ACCELERATION SENSOR, FRONT, B41z	3715.1-01
ACCELERATION SENSOR, RIGHT REAR, B48	3715.1-01
ACOUSTIC DEVICE, H10z	6210.0-08
AIR BAG GENERATOR, DRIVER'S, G5	3234.0-01
AIR BAG GAS GENERATOR I, PASSENGER'S G6	3234.0-02
AIR CONDITIONING COMPRESSOR (IHKA), Y3	6450.0-13
AIR CONDITIONING PRESSURE SWITCH, S96	6450.0-12
AIR CONDITIONING RELAY, K33	6454.0-01
ANTENNA AMPLIFIER AM/FM, N8	6424.0-00
ANTI-THEFT CONTROL MODULE (DWA), N1	6575.1-00
ANTI-THEFT HORN (DWA), H1	6575.1-00
ANTI-THEFT SYSTEM III (DWA III)	6575.1-00
ASC -SWITCH, S6	3450.2-01
AUTOMATIC AIR RECIRCULATION CONTROL MODULE, A417 ..	6450.0-15
AUTOMATIC AIR RECIRCULATION SENSOR, B414	6450.0-15
AUTOMATIC HEATING/AC CONTROL (IHKA)	6450.0-00
AUTOMATIC HEATING/AC CONTROL MODULE (IHKA), A11	6450.0-00
AUTOMATIC HEATING	
AND AIR CONDITIONING SWITCH (IHKA), S28	6450.0-01
AUTOMATIC TRANSMISSION RANGE SWITCH, S8515	2460.0-05
AUXILIARY FAN	6454.0-00
AUXILIARY FAN MOTOR, M9	6454.0-00
AUXILIARY FUSE BOX, P95	0670.2-00
AUXILIARY TURN LIGHT, LEFT FRONT, H9	6313.0-02
AUXILIARY TURN LIGHT, RIGHT FRONT, H8	6313.0-02
AUXILIARY WATER PUMP, M37a	6450.0-11
AUXILIARY WATER PUMP RELAY, K8z	6450.0-11
BACK UP LIGHT, LEFT, H27	6322.0-00
BACK UP LIGHT, RIGHT, H28	6322.0-00
BACK UP LIGHTS	6322.0-00
BACK-UP SWITCH, S302	6322.0-00
BATTERY I, RIGHT, G1z	0670.2-00
BATTERY II, LEFT, G4	0670.2-06
BLOWER MOTOR, M30	6450.0-01
BLOWER RELAY, K4	6450.0-00
BODY ELECTRONICS MODULE, A25	6210.0-00

BODY ELECTRONICS MODULE (EKM)	6210.0-00
BRAKE FLUID LEVEL SWITCH, B18	6210.0-06
BRAKE LIGHT SWITCH, S30	6325.0-00
BRAKE LIGHTS	6325.0-00
BRAKE LIGHT, LEFT, H24	6325.0-00
BRAKE LIGHT, RIGHT, H31	6325.0-00
BRAKE PAD SENSOR, LEFT FRONT, B16	6210.0-05
BRAKE PAD SENSOR, RIGHT REAR, B17	6210.0-05
BRAKE PRESSURE REGULATING SWITCH, B19	6210.0-06
BRAKE PRESSURE SWITCH, B20	6210.0-06
CASSETTE BOX LIGHT, E45y	6300.0-04
CD CHANGER, N22	6510.1-04
CELLULAR TELEPHONE (PROVISIONS)	6561.0-00
CENTRAL BODY ELECTRONICS (ZKE)	6100.0-00
CENTRAL LOCKING TRUNK LID MOTOR RELAY (ZV), K70	5126.0-02
CHARGING SOCKET, X779	6332.0-00
CHARGING SYSTEM	1230.0-00
CLUTCH SWITCH, S32	1270.1-09
COMBINATION SWITCH, S7	6301.0-00
COMPONENT LOCATION CHART	7000.0-00
COMPONENT LOCATION VIEWS	7100.0-00
COMPRESSOR CONTROL RELAY, K19	6450.0-12
COMPRESSOR CUT-OFF RELAY, K60	6450.0-12
CONCEALING HEADLIGHT MOTOR, LH, M18	6312.0-06
CONCEALING HEADLIGHT MOTOR, RH, M19	6312.0-06
CONCEALING HEADLIGHTS RELAY, K39	6312.0-06
CONNECTOR VIEWS	8500.0-00
CONSUMER CUT-OFF RELAY I, K72	6330.0-02
CONSUMER CUT-OFF RELAY II, K73	6330.0-02
CONTACT RING, C100	3234.0-01
CRASH CONTROL MODULE	6350.0-00
CRASH CONTROL MODULE, N17	6350.0-01
CRUISE CONTROL SWITCH (EML), S11	1270.1-02
CYL. 1 FUEL INJECTION VALVE, Y6101	1210.6-02
CYL. 1-6 AIR TEMPERATURE SENSOR, B6215	1210.6-08
CYL. 1-6 CRANKSHAFT POSITION/RPM SENSOR, B6212	1210.6-05
CYL. 1-6 CYLINDER IDENTIFICATION SENSOR, B6211	1210.6-05



INDEX

CYL. 1-6 ENGINE CONTROL MODULE (DME), A6010	1210.6-00	DAYTIME RUNNING LIGHTS RELAY, K111	6314.0-02
CYL. 1-6 ENGINE CONTROL MODULE RELAY, K6310	1210.6-01	DEFROSTER FLAP MOTOR, M35	6450.0-10
CYL. 1-6 EVAPORATIVE EMISSION VALVE, Y6121	1210.6-03	DIMMER, N3	6300.0-02
CYL. 1-6 FUEL PUMP, M2z	1210.6-04	DOME LIGHT/MAP READING ASSEMBLY, FRONT, E34	6330.0-03
CYL. 1-6 FUEL PUMP RELAY, K6311	1210.6-04	DOOR HANDLE SWITCH, DRIVER'S, S48	5120.0-00
CYL. 1-6 HEATED OXYGEN SENSOR, B6210	1210.6-05	DOOR HANDLE SWITCH, PASSENGER'S, S79	6100.0-03
CYL. 1-6 IGNITION COIL, T6151z	1210.6-00	DOOR JAMB SWITCH, DRIVER'S, S14	6330.0-00
CYL. 1-6 MASS AIR FLOW SENSOR, B6216	1210.6-03	DOOR JAMB SWITCH, PASSENGER'S, S13	6330.0-00
CYL. 1-6 THROTTLE BODY (EML), M6360	1270.1-05	DOOR LOCK HEATER, E48	5120.0-00
CYL. 10 FUEL INJECTION VALVE, Y6110	1210.6-12	DOOR LOCK MOTOR, DRIVER'S, M12	5126.0-03
CYL. 11 FUEL INJECTION VALVE, Y6111	1210.6-12	DOOR LOCK MOTOR, PASSENGER'S, M13	5126.0-03
CYL. 12 FUEL INJECTION VALVE, Y6112	1210.6-12	DOOR LOCK SWITCH, DRIVER'S, S47	5126.0-00
CYL. 2 FUEL INJECTION VALVE, Y6102	1210.6-02	DOOR LOCK SWITCH, PASSENGER'S, S49	5126.0-00
CYL. 3 FUEL INJECTION VALVE, Y6103	1210.6-02	DOOR MODULE, DRIVER'S, A23	6100.0-00
CYL. 4 FUEL INJECTION VALVE, Y6104	1210.6-02	DOOR MODULE, PASSENGER'S, A24	6100.0-00
CYL. 5 FUEL INJECTION VALVE, Y6105	1210.6-02	DOOR PANEL LIGHT, DRIVER'S, E78	6300.0-04
CYL. 6 FUEL INJECTION VALVE, Y6106	1210.6-02	DOOR PANEL LIGHT, PASSENGER'S, E79	6300.0-04
CYL. 7-12 AIR TEMPERATURE SENSOR, B6225	1210.6-16	DWA LED, V5	6575.1-00
CYL. 7-12 CRANKSHAFT POSITION/RPM SENSOR, B6222	1210.6-15	E-BOX FAN	1290.0-00
CYL. 7-12 CYLINDER IDENTIFICATION SENSOR, B6221	1210.6-15	E-BOX FAN, M6506	1290.0-00
CYL. 7-12 ENGINE CONTROL MODULE RELAY, K6320	1210.6-11	EDC RELAY, K67	3715.1-00
CYL. 7-12 ENGINE CONTROL MODULE (DME), A6020	1210.6-10	EDC SWITCH, S105	3715.1-00
CYL. 7-12 EVAPORATIVE EMISSION VALVE, Y6122	1210.6-13	EDC VALVES, LEFT FRONT, Y401z	3715.1-02
CYL. 7-12 FUEL PUMP, M11	1210.6-14	EDC VALVES, LEFT REAR, Y403z	3715.1-02
CYL. 7-12 FUEL PUMP RELAY, K6321	1210.6-14	EDC VALVES, RIGHT FRONT, Y402z	3715.1-02
CYL. 7-12 HEATED OXYGEN SENSOR, B6220	1210.6-15	EDC VALVES, RIGHT REAR, Y404z	3715.1-02
CYL. 7-12 IGNITION COIL, T6152z	1210.6-10	ELECTRIC POWER PROTECTION RELAY, K15	5126.0-02
CYL. 7-12 MASS AIR FLOW SENSOR, B6226	1210.6-13	ELECTRIC POWER PROTECTION RELAY II, K30	5126.0-02
CYL. 7-12 THROTTLE BODY (EML), M6370	1270.1-06	ELECTRIC STEERING COLUMN ADJUSTMENT	3231.0-00
CYL. 7 FUEL INJECTION VALVE, Y6107	1210.6-12	ELECTRO-HYDRAULIC CONVERTER (SERVOTRONIC), B15	3240.0-00
CYL. 8 FUEL INJECTION VALVE, Y6108	1210.6-12	ELECTROCHROMIC REAR VIEW MIRROR, A22z	5116.0-02
CYL. 9 FUEL INJECTION VALVE, Y6109	1210.6-12	ELECTRONIC SHOCK ABSORBER CONTROL (EDC III+)	3715.1-00
DASH LIGHT, E41	6450.0-07	ELECTRONIC SHOCK ABSORBER CONTROL	
DASH VENT MIXING FLAP MOTOR, M34	6450.0-08	MODULE (EDC), A413	3715.1-00
DATA LINK	0670.5-00	ELECTRONIC THROTTLE CONTROL (EML 12-CYLINDER)	1270.1-00
DATA LINK CONNECTOR, D100	0670.5-01	ELECTRONIC TRANSMISSION CONTROL (EGS)	2460.0-00
DAYTIME RUNNING LIGHTS CODING DIODE, V4	6314.0-02	ENGINE CONTROL SYSTEM (DME M1.7, 12-CYLINDER M70)	1210.6-00



INDEX

ENGINE COOLANT TEMP. SENSOR (EML), B6234	1270.1-03
ENGINE COOLANT TEMPERATURE SENSOR, B6232	6210.0-07
ENGINE COOLANT TEMPERATURE SENSOR, B6236	1210.6-08
ENGINE HOOD SWITCH (DWA), S21	6575.1-02
EVAPORATOR TEMPERATURE SENSOR, B14	6450.0-03
FINAL STAGE UNIT, N2	6450.0-01
FLASHER LIGHT RELAY, K52z	6312.0-05
FM AMPLIFIER HLO, N444	6424.0-02
FM AMPLIFIER/SUPPRESSION FILTER, C900z	6424.0-02
FOG LIGHT, LEFT, E26	6312.0-03
FOG LIGHT, RIGHT, E27	6312.0-03
FOG LIGHT SWITCH, S10	6312.0-02
FOOTWELL FLAP MOTOR, LEFT, M31	6450.0-09
FOOTWELL FLAP MOTOR, RIGHT, M32	6450.0-08
FOOTWELL LIGHT, LEFT FRONT, E61	6330.0-03
FOOTWELL LIGHT, RIGHT FRONT, E62	6330.0-03
FRESH AIR FLAP MOTOR, M36	6450.0-10
FRONT CIGAR LIGHTER, E28	6332.0-03
FRONT CIGAR LIGHTER LIGHT, E29	6332.0-03
FRONT MARKER LIGHT, LEFT, E21	6314.0-04
FRONT MARKER LIGHT, RIGHT, E22	6314.0-04
FRONT POWER DISTRIBUTION BOX, P90	0670.2-00
FUEL LEVEL SENSOR I, B6z	6210.0-08
FUEL LEVEL SENSOR II, B25	6210.0-08
FUSE CHART	0670.1-00
FUSE DETAILS	0670.3-00
FUSIBLE LINK, F0	0670.2-06
FUSIBLE LINK (50A), F99	0670.2-00
GAS FILLER LOCK MOTOR, M16	5126.0-03
GENERAL MODULE, A1	6100.0-00
GENERATOR, G6509	1230.0-00
GLOVE BOX CENTRAL LOCKING SWITCH, S118	5126.0-01
GLOVE BOX LIGHT, E42	6332.0-00
GLOVE BOX LIGHT SWITCH I, S37z	6332.0-01
GLOVE BOX LIGHT SWITCH II, S113	6332.0-01
GRADIENT MONITOR (DWA), B28	6575.1-04
GROUND DISTRIBUTION	0670.4-00

HAZARD FLASHER RELAY, K16	6313.0-00
HAZARD SWITCH, S18	6313.0-01
HEADLIGHT/FOG LIGHT WASHER PUMP, M7	6167.0-02
HEADLIGHT/FOGLIGHT CLEANING MODULE (SRA), N6	6167.0-02
HEADLIGHTS/FOG LIGHTS	6312.0-00
HEAT EXCHANGER TEMPERATURE SENSOR, LH, B11	6450.0-03
HEAT EXCHANGER TEMPERATURE SENSOR, RH, B12	6450.0-03
HEATED SEATS	5203.0-00
HIFI AMPLIFIER, A18	6510.1-00
HIGH BEAM FLASHER LIGHT, LEFT, E69	6312.0-05
HIGH BEAM FLASHER LIGHT, RIGHT, E70z	6312.0-05
HIGH BEAM LIGHT, LEFT, E11	6312.0-05
HIGH BEAM LIGHT, RIGHT, E12	6312.0-05
HIGH BEAM LIGHT RELAY, K46	6312.0-05
HIGH LEVEL STOP LIGHT, H34	6325.0-00
HIGH RANGE SPEAKER, LEFT FRONT, H59	6510.1-01
HIGH RANGE SPEAKER, LEFT REAR, H56	6510.1-03
HIGH RANGE SPEAKER, RIGHT FRONT, H50	6510.1-02
HIGH RANGE SPEAKER, RIGHT REAR, H53	6510.1-03
HIGH SPEED RELAY, K22	6454.0-00
HORN	6133.0-00
HORN, LEFT, H2	6133.0-00
HORN, RIGHT, H3	6133.0-00
HORN RELAY, K2	6133.0-00
HORN SWITCH, S4	6133.0-00
IGNITION SWITCH, S2	0670.2-02
IMPACT SENSOR, LEFT FRONT, S71	3234.0-01
IMPACT SENSOR, RIGHT FRONT, S72	3234.0-01
INDEX	0100.0-00
INERTIA SWITCH, S27	6350.0-01
INSIDE DOOR HANDLE SWITCH, DRIVER'S, S89	5120.0-01
INSIDE DOOR HANDLE SWITCH, PASSENGER'S, S90	6100.0-03
INSTRUMENT CLUSTER	6211.0-00
INSTRUMENT CLUSTER, A2w	6211.0-00
INTENSIVE WASH PUMP, M5	6160.0-02
INTENSIVE WASH RELAY, K42	6160.0-02
INTERIOR ACCESSORIES	6332.0-00



INDEX

INTERIOR LIGHT, LEFT REAR, E39	6330.0-03
INTERIOR LIGHT, RIGHT REAR, E40	6330.0-03
INTERIOR LIGHT RELAY, K29	6330.0-03
INTRODUCTION	0110.0-00
JET HEATER THERMOSWITCH, S198	6169.0-00
JUMPER PLUG, B900	1240.0-01
JUMPER PLUG FOR HORN/TELEPHONE, K51	6133.0-00
LAMP CONTROL MODULE, A3	6301.0-01
LAMP MONITOR (LKM)	6301.0-00
LICENSE PLATE LIGHT, LEFT, E43	6320.0-01
LICENSE PLATE LIGHT, RIGHT, E44	6320.0-01
LICENSE PLATE/LUGGAGE COMPARTMENT LIGHTS	6320.0-00
LIGHT ASSEMBLY I, LEFT REAR, E46z	0670.4-12
LIGHT ASSEMBLY I, RIGHT REAR, E47z	0670.4-12
LIGHT BAND, LEFT, E9046	0670.4-01
LIGHT BAND, RIGHT, E9047	0670.4-02
LIGHT SWITCH, S8	6300.0-01
LIGHT SWITCH DETAILS	6300.0-00
LOCK-SENSOR CONTROL MODULE, A26	6450.0-13
LONGITUDINAL ACCELERATION SENSOR, B49	3715.1-01
LOW BEAM LIGHT, LEFT, E13	6312.0-00
LOW BEAM LIGHT, RIGHT, E14	6312.0-00
LOW RANGE SPEAKER, LEFT FRONT, H58	6510.1-01
LOW RANGE SPEAKER, LEFT REAR, H57	6510.1-03
LOW RANGE SPEAKER, RIGHT FRONT, H51	6510.1-02
LOW RANGE SPEAKER, RIGHT REAR, H52	6510.1-03
LUMBAR SUPPORT	5212.0-00
LUMBAR SUPPORT MOTOR/VALVE, DRIVER'S SEAT, M55z	5212.0-00
LUMBAR SWITCH, DRIVER'S SEAT, S52	5212.0-00
MAKEUP MIRROR LIGHT, DRIVER'S, E35	6332.0-01
MAKEUP MIRROR LIGHT, PASSENGER'S, E36	6332.0-01
MAKEUP MIRROR SWITCH, DRIVER'S, S77	6332.0-01
MAKEUP MIRROR SWITCH, PASSENGER'S, S78	6332.0-01
MEMORY MIRRORS CONTROL SWITCH, S12	5200.1-06
MEMORY MIRROR, DRIVER'S SIDE, Y9	5200.1-07
MEMORY MIRROR, PASSENGER'S SIDE, Y10	5200.1-08
MEMORY SEAT ADJUSTMENT SWITCH, DRIVER'S, S50	5200.1-00

MEMORY SEAT MIRRORS SWITCH, S57	5200.1-01
MICROPHONE, B400	6561.0-00
MIDRANGE SPEAKER, LEFT FRONT, H55	6510.1-01
MIDRANGE SPEAKER, RIGHT FRONT, H54	6510.1-02
MID-HIGH RANGE SPEAKER, LEFT, H42	6510.1-01
MID-HIGH RANGE SPEAKER, RIGHT, H43	6510.1-02
MID-HIGH RANGE SPEAKER, REAR LEFT, H55z	6510.1-08
MID-HIGH RANGE SPEAKER, REAR RIGHT, H54z	6510.1-08
MIRROR, DRIVER'S SIDE, Y5	5116.0-01
MIRROR, PASSENGER'S SIDE, Y6	5116.0-01
MIRROR CONTROL SWITCH, S17	5116.0-00
MIXING ACTUATOR, R1	6450.0-04
MIXING FLAP MOTOR, LEFT, M39	6450.0-09
MULTI-INFORMATION DISPLAY (MID), N4z	6581.1-00
NORMAL SPEED RELAY, K21	6454.0-00
OIL LEVEL SENSOR, B6230	6210.0-07
OIL PRESSURE SWITCH, B206	6210.0-06
ON-BOARD COMPUTER (BCIV)	6581.0-00
ON-BOARD COMPUTER HORN RELAY, K91	6575.1-00
OUTSIDE TEMPERATURE SENSOR, B13	6450.0-03
PARK BRAKE SWITCH, S31	6210.0-04
PARK HEATING/VENTILATION RELAY BOX, A15	6412.2-02
PARK LIGHT, LEFT, E15	6314.0-01
PARK LIGHT, RIGHT, E19	6314.0-01
PARK LIGHT RELAY, LEFT, K26	6314.0-02
PARK LIGHT/LICENSE PLATE LIGHT RELAY, RIGHT, K25	6314.0-02
PARK/TAIL/UNDERHOOD LIGHTS	6314.0-00
PARK VENTILATION WITH IHKA	6412.2-00
PEDAL POSITION SENSOR, R10	1270.1-03
POWER ASSIST STEERING (SERVOTRONIC)	3240.0-00
POWER DISTRIBUTION	0670.2-00
POWER DISTRIBUTION CHART	0670.0-00
POWER MIRRORS	5116.0-00
POWER SEATS	5200.0-00
POWER SUN SHADES	5146.0-00
POWER WINDOW MOTOR/INCREMENT SENSOR, DRIVER'S, M21z	5133.0-01

POWER WINDOW MOTOR/INCREMENT	
SENSOR, PASSENGER'S, M23z	5133.0-03
PRESSURE SENSOR/PLUNGER, Y16	3450.2-07
PRESSURE SWITCH, B9508	6450.0-12
PROGRAM SWITCH, S8517	2460.0-03
RADIO, N9	6510.1-00
RADIO ANTI-THEFT SWITCH (DWA), S20	6575.1-02
RADIO/HIFI	6510.1-00
REAR DEFOGGER/ANTENNA, E10	6424.0-01
REAR DEFOGGER I, E9	6424.0-01
REAR DEFOGGER RELAY, K13	6424.0-00
REAR POWER DISTRIBUTION BOX, P94	0670.2-07
REAR SPEAKER, LEFT, H46	6510.1-03
REAR SPEAKER, RIGHT, H45	6510.1-03
REAR WINDOW DEFOGGER	6424.0-00
REAR WINDOW DEFOGGER SWITCH, S76	6450.0-07
RECIRCULATION FLAP MOTOR, M40	6450.0-10
RELAY MODULE, A5	6100.0-01
SEATBACK HEATER, PASSENGER'S, E59	5203.0-00
SEATBACK HEATER, DRIVER'S, E58	5203.0-00
SEATBACK POTENTIOMETER, R7	5200.1-03
SEATBACK RECLINER MOTOR, DRIVER'S, M53	5200.0-00
SEATBACK RECLINER MOTOR, PASSENGER'S, M58	5200.0-01
SEATBACK SWITCH, LH DRIVER'S, S104	6210.0-04
SEATBACK SWITCH, LH PASSENGER'S, S122	6210.0-04
SEATBACK SWITCH, RH DRIVER'S, S103	6210.0-04
SEATBACK SWITCH, RH PASSENGER'S, S121	6210.0-04
SEAT BELT SWITCH, DRIVER'S, S58	6210.0-04
SEAT CONTROL SWITCH, DRIVER'S SEAT, S51	5200.0-00
SEAT CONTROL SWITCH, PASSENGER'S SEAT, S56	5200.0-01
SEAT CUSHION MOVEMENT POTENTIOMETER, R9	5200.1-02
SEAT CUSHION REAR HEIGHT POTENTIOMETER, R8	5200.1-02
SEAT CUSHION TILT MOTOR, DRIVER'S, M50	5200.0-00
SEAT CUSHION TILT MOTOR, PASSENGER'S, M61	5200.0-01
SEAT HEATER, DRIVER'S, E57	5203.0-00
SEAT HEATER, PASSENGER'S, E58	5203.0-00
SEAT HEATER SWITCH, DRIVER'S SEAT, S53	5203.0-00

SEAT HEATER SWITCH, PASSENGER'S SEAT, S54	5203.0-00
SEAT HEIGHT MOTOR, DRIVER'S, M52	5200.0-00
SEAT HEIGHT MOTOR, PASSENGER'S, M59	5200.0-01
SEAT HEIGHT POTENTIOMETER, R6	5200.1-03
SEAT LUMBAR SUPPORT MOTOR/VALVE, PASSENGER'S, M56z	5212.0-00
SEAT LUMBAR SUPPORT SWITCH, PASSENGER'S, S55	5212.0-00
SEAT/MIRROR MEMORY CONTROL MODULE, A21	5200.1-00
SEAT/MIRROR MEMORY SYSTEM (SM/SPM)	5200.1-00
SEAT MOVEMENT MOTOR, DRIVER'S, M51	5200.0-00
SEAT MOVEMENT MOTOR, PASSENGER'S, M60	5200.0-01
SERVOTRONIC CONTROL MODULE, A17	3240.0-00
SHIFT LOCK, S8522	2460.0-01
SIDE MARKER LIGHT, LEFT REAR, E9021	0670.4-12
SIDE MARKER LIGHT, RIGHT REAR, E9022	0670.4-11
SLIP CONTROL (ABS/ASC + T)	3450.2-00
SLIP CONTROL MODULE (ABS/ASC + T), A9070	3450.2-00
SPEED SENSOR - ABS, LEFT FRONT, B2	3450.2-04
SPEED SENSOR - ABS, LEFT REAR, B4	3450.2-04
SPEED SENSOR - ABS, RIGHT FRONT, B1	3450.2-04
SPEED SENSOR - ABS, RIGHT REAR, B3	3450.2-04
SPLICE LOCATION VIEWS	8000.0-00
START	1240.0-00
STARTER, M6510	1240.0-01
STARTER RELAY, K1	1240.0-01
STEERING ANGLE SENDER, B40	3715.1-01
STEERING COLUMN ADJUSTMENT CONTROL MODULE, A34w	3231.0-00
STEERING COLUMN ANGLE ADJUST MOTOR, M83	3231.0-00
STEERING COLUMN ANGLE ADJUST POTENTIOMETER, R19z	3231.1-00
STEERING COLUMN LENGTH ADJUST MOTOR, M82	3231.0-00
STEERING COLUMN LENGTH ADJUST POTENTIOMETER, R18z	3231.1-00
STEERING COLUMN MEMORY (LSM)	3231.1-00
STEERING COLUMN MEMORY CONTROL MODULE, A34z	3231.1-00
STEERING COLUMN POSITION SWITCH, S119z	3231.0-00
SUN BLIND CONTROL MODULE, A82	5146.0-00
SUN BLIND MOTOR, M74	5146.0-00
SUN BLIND SWITCH, S110	5146.0-00



INDEX

SUNROOF MODULE, A33	5410.0-01	UNLOADER RELAY, TERMINAL 61, K61	1230.0-00
SUNROOF MOTOR, M24	5410.0-01	UNLOADER RELAY, TERMINAL R, K3	0670.2-04
SUNROOF SWITCH, S38	5410.0-01	UPPER LEFT TAIL LIGHT, H9025	6314.0-01
SUPPLEMENTAL RESTRAINT SYSTEM (AIR BAG)	3234.0-00	UPPER RIGHT TAIL LIGHT, H9030	6314.0-01
SUPPLEMENTAL RESTRAINT SYSTEM CONTROL MODULE, A12	3234.0-00	VEHICLE SPEED SENSOR, B10	6210.0-08
SUPPRESSION FILTER, C900	6424.0-01	VENTILATION FLAP MOTOR, LEFT, M38	6450.0-09
SYMBOLS	0140.0-00	VENTILATION FLAP MOTOR, RIGHT, M33	6450.0-08
TAIL LIGHT, LEFT, H25	6314.0-04	WASHER FLUID LEVEL SWITCH, S64	6210.0-06
TAIL LIGHT, RIGHT, H30	6314.0-04	WASHER FLUID LEVEL SWITCH, S136	6210.0-06
TELEPHONE TRANSCEIVER, H38	6561.0-00	WASHER JET HEATER, LEFT, E51	6169.0-00
TEMPERATURE SENSOR, B21z	6210.0-07	WASHER JET HEATER, RIGHT, E52	6169.0-00
TEMPERATURE SWITCH, B6235	1290.0-00	WASHER PUMP, M4	6160.0-02
TEMPERATURE SWITCH, S36	6454.0-00	WASHER PUMP RELAY, K5	6160.0-02
THIGH SUPPORT MOTOR, DRIVER'S, M65	5200.0-02	WATER PUMP IN LUGGAGE COMPARTMENT, M86	6167.0-02
THIGH SUPPORT MOTOR, PASSENGER'S, M66	5200.0-02	WATER VALVE ASSEMBLY, Y4	6450.0-02
THIGH SUPPORT POTENTIOMETER, R15	5200.1-04	WINDOW LIMIT SWITCH, LEFT REAR, S45	5133.0-04
THIGH SUPPORT SWITCH, DRIVER'S, S93	5200.0-02	WINDOW LIMIT SWITCH, RIGHT REAR, S46	5133.0-04
THIGH SUPPORT SWITCH, PASSENGER'S, S94	5200.0-02	WINDOW MONITORING SWITCH (DWA), DRIVER'S, S100	6575.1-05
THROTTLE CONTROL MODULE (EML), A6004	1270.1-01	WINDOW MONITORING SWITCH (DWA), PASSENGER'S, S99 ..	6575.1-05
TRANSMISSION CONTROL MODULE (EGS), A8500	2460.0-01	WINDOW MONITORING SWITCH (DWA), LEFT REAR, S102	6575.1-05
TRANSMISSION RANGE SELECTOR LEVER LIGHT, S8518	2460.0-03	WINDOW MONITORING SWITCH (DWA), RIGHT REAR, S101	6575.1-05
TRANSMISSION VALVE UNIT, Y8505	2460.0-02	WINDOW MOTOR, LEFT REAR, M20	5133.0-04
TRUNK COMPARTMENT LIGHT, E32	6320.0-03	WINDOW MOTOR, RIGHT REAR, M22	5133.0-04
TRUNK LID LIGHT, LEFT, E9033	6320.0-03	WINDOW SWITCH, S40z	5133.0-00
TRUNK LID LIGHT, RIGHT, E9133	6320.0-03	WINDOW SWITCH, PASSENGER'S, S97	5133.0-02
TRUNK LID LOCKING SWITCH, S117	5126.0-01	WINDSHIELD WASHER JET HEATERS	6169.0-00
TRUNK LID SWITCH, S61	6320.0-03	WIPER MOTOR, M3	6160.0-01
TRUNK LOCK MOTOR, M17	5126.0-02	WIPER PRESSURE CONTROL (ADV) RELAY, K12	6164.0-01
TURN/HAZARD LIGHTS	6312.0-00	WIPER PRESSURE CONTROL MOTOR (ADV), M6	6164.0-01
TURN LIGHT, LEFT FRONT, H7	6313.0-02	WIPER RELAY I, K36	6160.0-01
TURN LIGHT, LEFT REAR, H6	6313.0-02	WIPER RELAY II, K37	6160.0-01
TURN LIGHT, RIGHT FRONT, H4	6313.0-02	WIPER RELAY III, K38	6160.0-01
TURN LIGHT, RIGHT REAR, H5	6313.0-02	WIPER/WASHER SWITCH, S5	6160.0-00
UNDERHOOD LIGHT, E20	6314.0-04	ZKE CENTRAL LOCKING (ZV)	5126.0-00
UNDERHOOD LIGHT SWITCH, S19	6314.0-04	ZKE DOOR LOCK HEATING (TSH)	5120.0-00
UNLOADER RELAY, TERMINAL 15, K9	0670.2-04	ZKE HEADLIGHT WASHER (SRA)	6167.0-00
		ZKE INTERIOR LIGHTS CONTROL (IB)	6330.0-00



INDEX

ZKE POWER WINDOWS (FH)	5133.0-00
ZKE SUNROOF (SHD)	5410.0-00
ZKE WINDSHIELD WIPER PRESSURE CONTROL (ADV)	6164.0-00



Schematics

The schematics divide the entire vehicle electrical system into individual circuits. Interacting electrical components are shown on one common schematic.

Switches and other components are represented in such a way that their general layout and function are self-explicit. They are arranged on the sheet such that the current path can be followed from positive (top) to negative (bottom).

Important: The components and wires are not drawn to scale. For instance, a lead with a length of over 1m can be shown as a lead that is only a few cm long. To ensure clear arrangement, all connectors, lines branches and connected components from the fuses to the component and from the component to ground connection are not shown within the individual cells. If required, reference can be made to cells 0670.3 Fuse Details and 0670.4 Ground Distribution where all lines are illustrated with all plug connections, line branches and connected components.

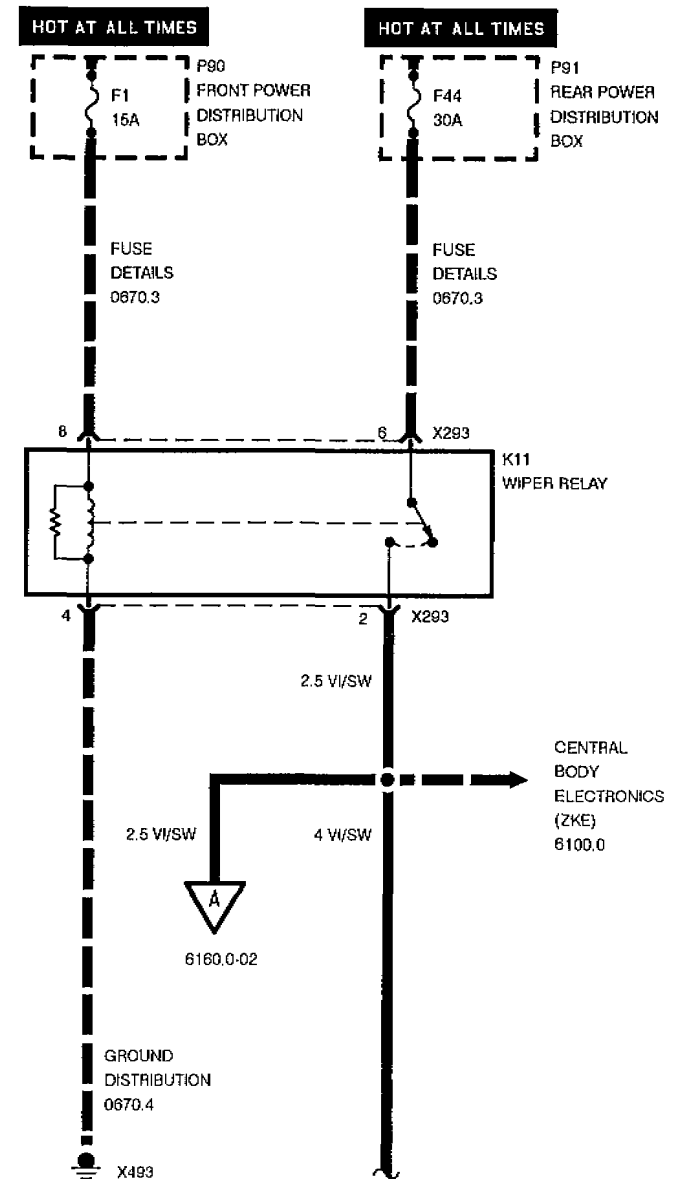
All circuit symbols used are listed and explained in cell **0140.0 Symbols**.

In cell **7000.0 Component Location Chart** all important connectors, ground points and components are listed in tabular form. It provides a precise description of the component locations in the vehicle.

In cell **7100.0 Component Location Views** the location of connectors and components which are difficult to locate are shown in line arts or illustrations. In cell **8500.0 Connector Views** diagrams of connectors with more than 2 pins are illustrated.

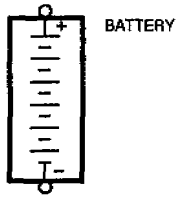
Example

General conventions can be explained based on the following schematic example.

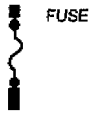


General Conventions

1. Switches and relays are always shown in rest position (e.g. K11).
2. A component shown in a dashed frame signifies that the component is illustrated only in part (e.g. P90 and P91).
3. A component shown in a completely drawn frame signifies that the component is illustrated in full (e.g. K11).
4. The dashed line between pin 8 and pin 6 of connector X293 indicates that both pins belong to connector X293.
5. The dashed line from fuse F1 to pin 8 of connector X293 shows the positive supply of relay K11. If required, refer to cell 0670.3 Fuse Details at fuse F1 for the complete line progressing with plug connections, line branches, wire colors and cross sections.
6. The dashed line with an arrow at splice X452 indicates that several wires lead to splice X452. All lines leading to the connection are illustrated in cell 6100.0 Central Body Electronics (ZKE). An interrupted line with an arrow indicates that only this one wire leads to another circuit.
7. The dashed line from pin 4 of connector X293 to ground X493 shows the ground supply for relay K11. If required, refer to cell 0670.4 Ground Distribution at ground X493 for the complete line progression with all plug connections, line branches, wire colors and cross sections.
8. The interrupted line from splice X452 with an A in the open arrow is continued on page 6160.0-02. Termination of wire 4 VI/SW from splice X452 with a wavy line indicates that the wire is continued on the opposite page.



BATTERY



FUSE



FUSIBLE LINK



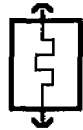
CIRCUIT BREAKER



SOLENOID



SOLENOID CONTROLLED VALVE
OR CLUTCH SOLENOID



HEATING ELEMENT



LOUDSPEAKER OR HORN



LIGHT



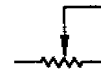
PERMANENT MAGNET MOTOR
ONE SPEED



PERMANENT MAGNET MOTOR
TWO SPEEDS



KNOCK SENSOR



VARIABLE RESISTANCE
SENSOR
VARIABLE CONTACT IS
MOVED BY AN EXTERNAL
FORCE



VARIABLE RESISTOR
RESISTANCE IS CHANGED
BY TEMPERATURE OR
PRESSURE



INDUCTIVE SENSOR



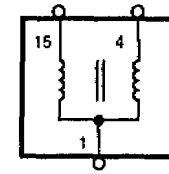
DIODE
CURRENT CAN FLOW ONLY
IN DIRECTION OF ARROW



ZENER DIODE
TO REGULATE VOLTAGE



LIGHT EMITTING DIODE



IGNITION COIL



CONTROL/POWER ELECTRONICS



RADIO



TRANSISTORIZED SWITCH



OXYGEN SENSOR



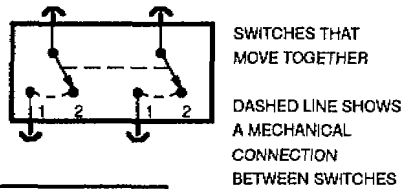
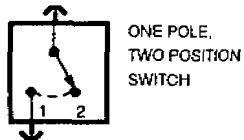
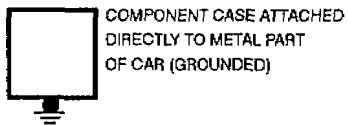
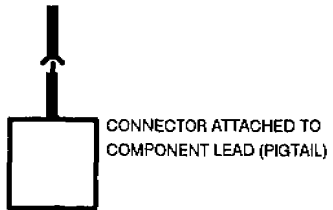
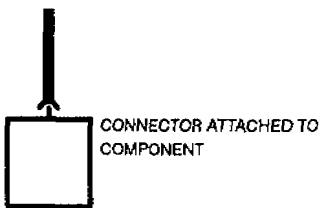
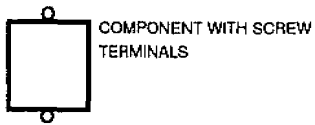
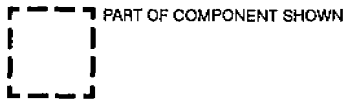
VEHICLE SPEED SENSOR



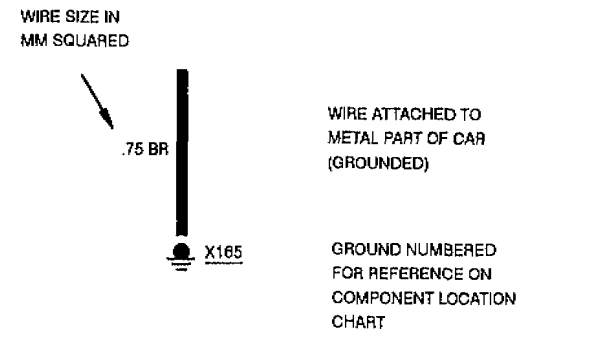
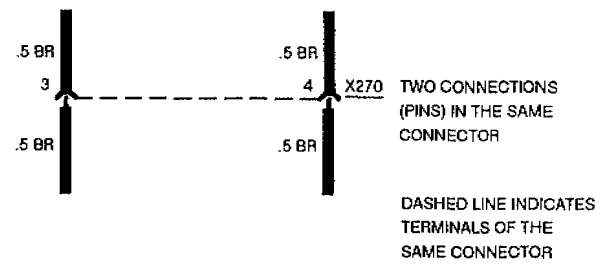
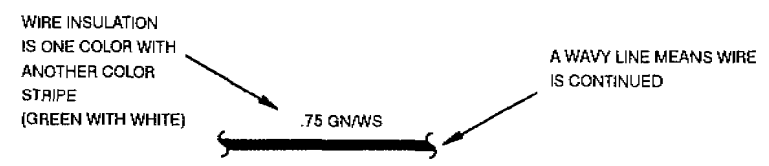
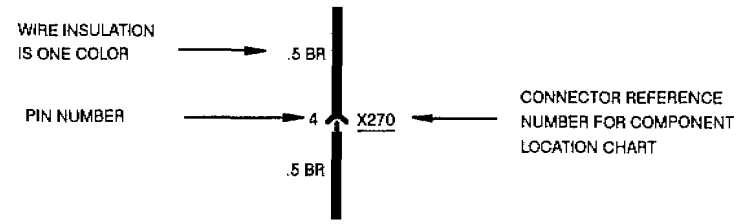
THERMO SWITCH



SYMBOLS

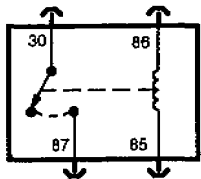


WIRE COLOR	
BL	BLUE
BR	BROWN
GE	YELLOW
GN	GREEN
GR	GRAY
OR	ORANGE
RS	PINK
RT	RED
SW	BLACK
VI	VIOLET
WS	WHITE
TR	TRANSPARENT

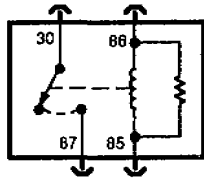




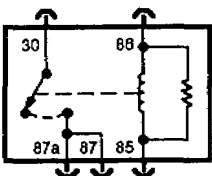
SYMBOLS



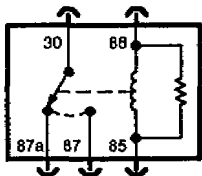
CONTACT RELAY



RELAY WITH RESISTOR ACROSS WINDING

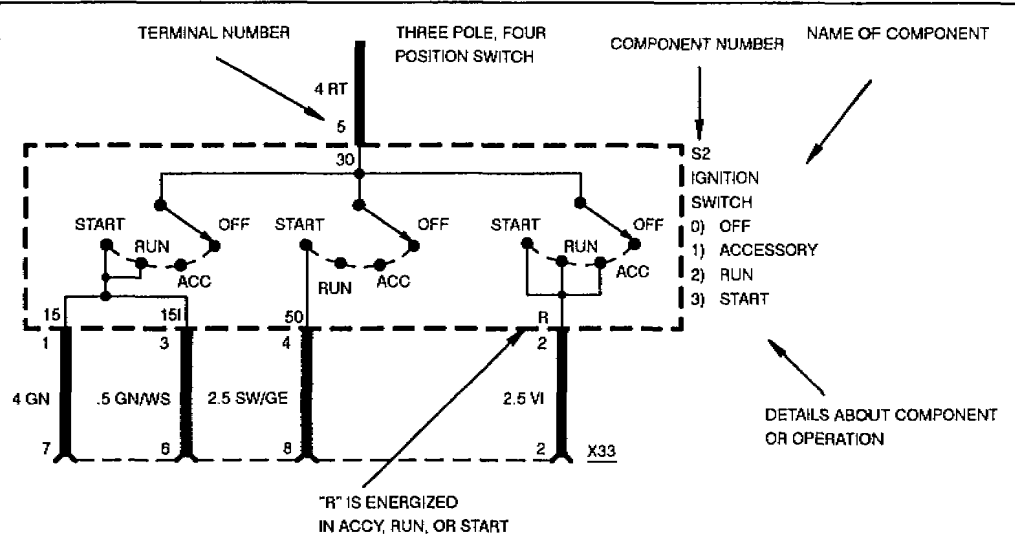


CONTACT RELAY WITH TWO OUTPUTS



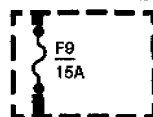
CHANGEOVER RELAY WITH TWO OUTPUTS

TERMINAL NUMBER	DESCRIPTION
30	RELAY INPUT
85	RELAY OUTPUT (WINDING)
86	RELAY INPUT (WINDING)
87	RELAY OUTPUT (ENERGIZED)
87a	RELAY OUTPUT (AT REST)



TERMINAL NUMBER	DESCRIPTION	TERMINAL NUMBER	DESCRIPTION
50	VOLTAGE: IGNITION SWITCH IN START	151	VOLTAGE: IGNITION SWITCH IN RUN
30	VOLTAGE: SUPPLIED AT ALL TIMES	R	VOLTAGE: IGNITION SWITCH IN ACCESSORY, RUN OR START
15	VOLTAGE: IGNITION SWITCH IN RUN OR START	31	GROUND

HOT AT ALL TIMES



INDICATES THAT FUSE 9 IS SUPPLIED WITH POWER AT ALL TIMES

POWER STATUS

HOT AT ALL TIMES

HOT IN RUN AND START

HOT IN ACCY, RUN AND START

DESCRIPTION

VOLTAGE: SUPPLIED AT ALL TIMES

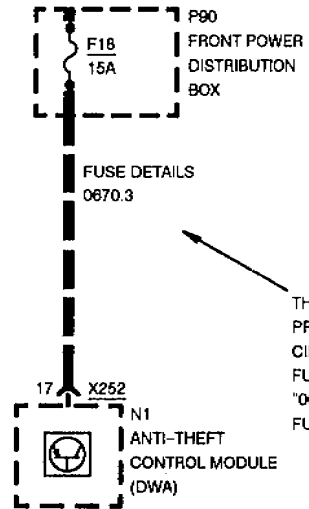
VOLTAGE: IGNITION SWITCH IN RUN OR START

VOLTAGE: IGNITION SWITCH IN ACCESSORY, RUN OR START

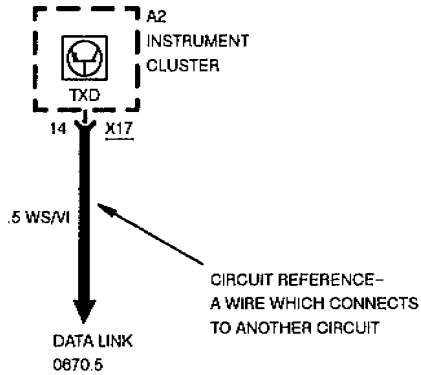


SYMBOLS

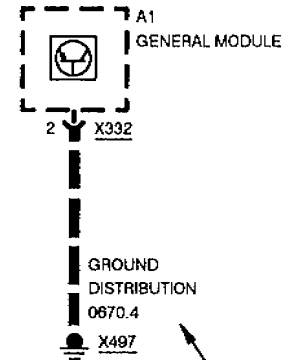
HOT IN ACCY, RUN AND START



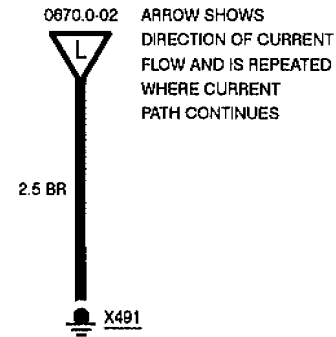
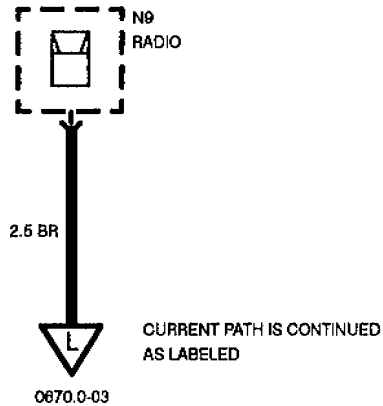
THE COMPLETE WIRE PROGRESSION AND FURTHER CIRCUITS CONNECTED TO FUSE 18 ARE SHOWN IN CELL "0670.3 FUSE DETAILS" AT FUSE 18



CIRCUIT REFERENCE- A WIRE WHICH CONNECTS TO ANOTHER CIRCUIT



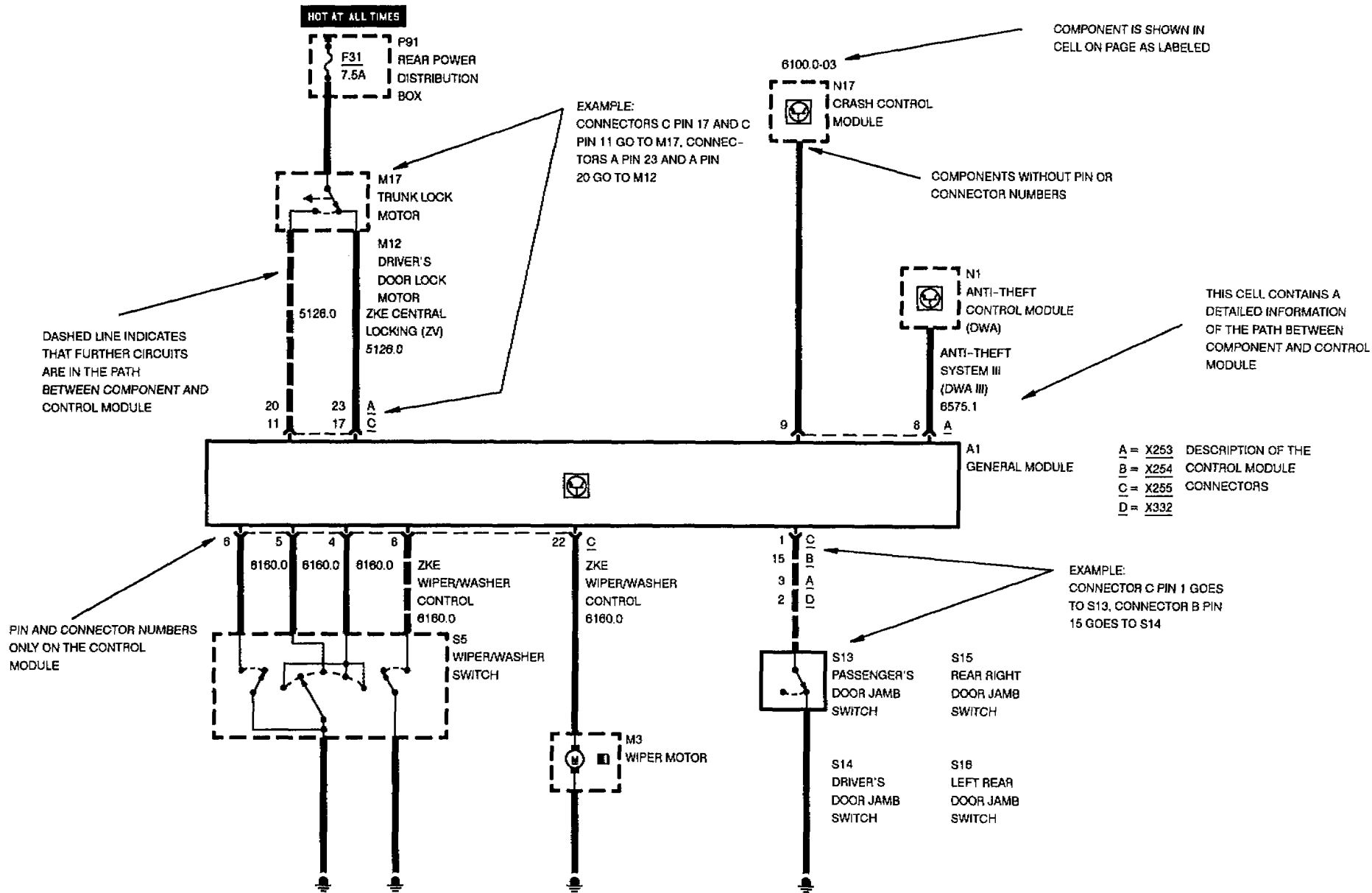
THE COMPLETE WIRE PROGRESSION AND FURTHER CIRCUITS CONNECTED TO GROUND X497 ARE SHOWN IN CELL "0670.4 GROUND DISTRIBUTION" AT GROUND X497





SYMBOLS

BLOCK DIAGRAM



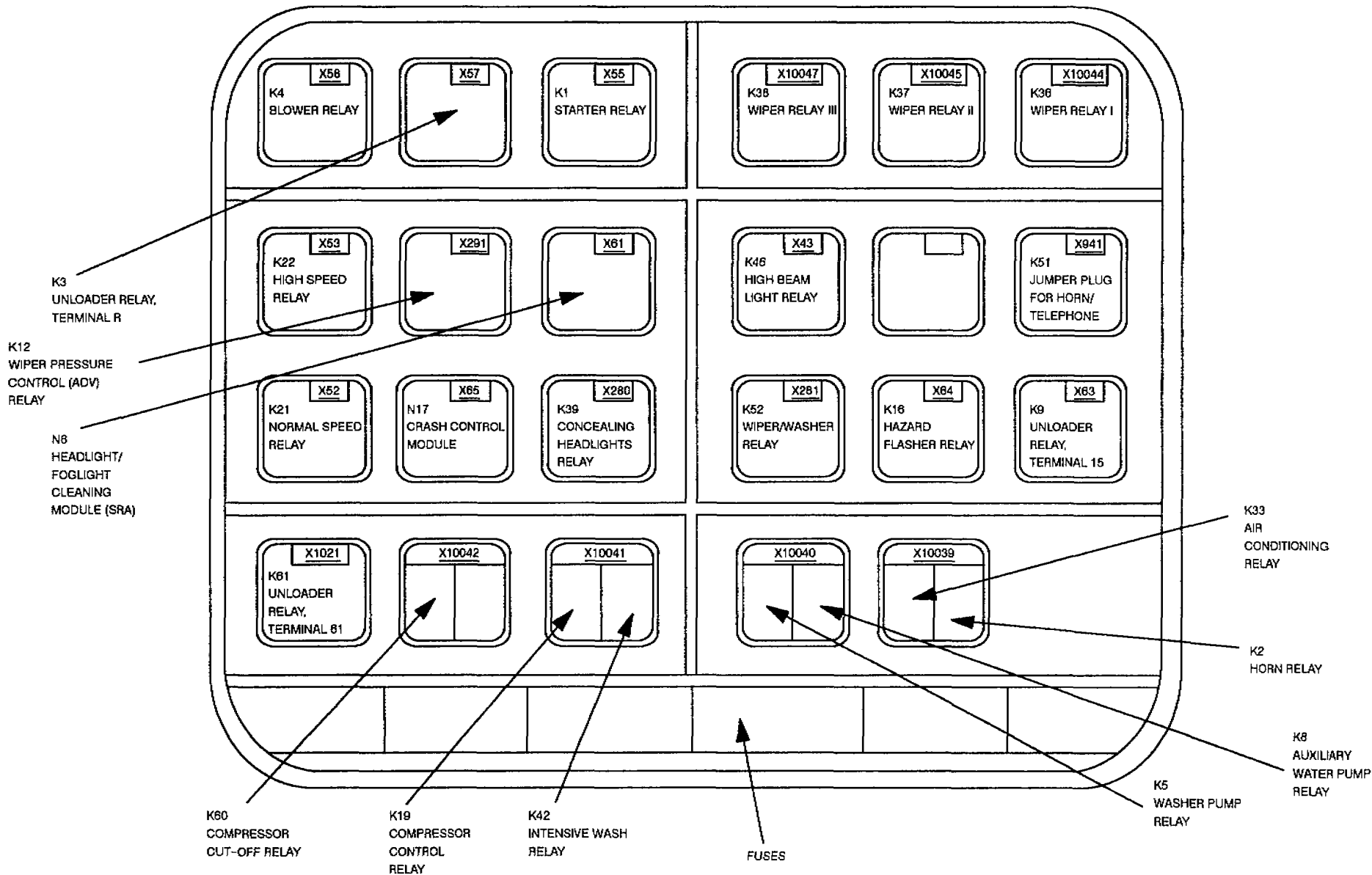
BMW
8

0670.0



POWER DISTRIBUTION CHART

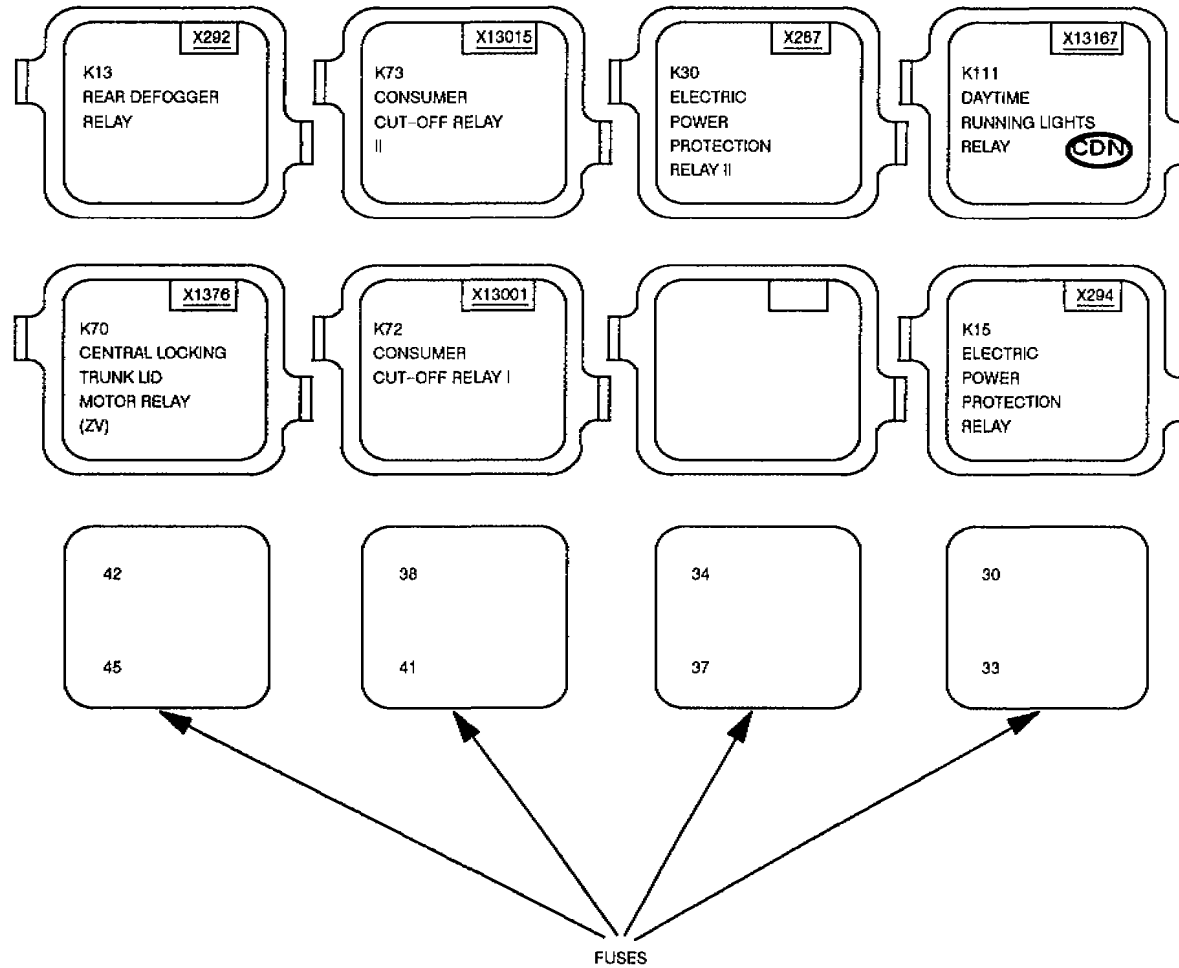
FRONT POWER DISTRIBUTION BOX





POWER DISTRIBUTION CHART

REAR POWER DISTRIBUTION BOX





FUSE CHART

FUSES 1 TO 29

		FUSE NUMBER																												
		1	2	3	4	5	6	7	8	9	10	11	12	13	14	15	16	17	18	19	20	21	22	23	24	25	26	27	28	29
		7.5A	7.5A	7.5A	7.5A	10A	15A	30A	7.5A	20A	7.5A	7.5A	15A	7.5A	7.5A	10A	20A	7.5A	7.5A	30A	30A	7.5A	30A	15A	15A	30A	15A	30A	15A	7.5A
1210.6	ENGINE CONTROL SYSTEM (DME M1.7, 12-CYLINDER M70)												●											●	●					●
1230.0	CHARGING SYSTEM																													
1240.0	START												●																	
1270.1	ELECTRONIC THROTTLE CONTROL (EML 12-CYLINDER)	●							●				●																	
1290.0	E-BOX FAN												●																	
2460.0	ELECTRONIC TRANSMISSION CONTROL (EGS)								●				●																	
3231.0	ELECTRIC STEERING COLUMN ADJUSTMENT																													
3231.1	STEERING COLUMN MEMORY (LSM)																●		●											
3234.0	SUPPLEMENTAL RESTRAINT SYSTEM (AIR BAG)																													
3240.0	POWER ASSIST STEERING (SERVOTRONIC)																													●
3450.2	SLIP CONTROL (ABS/ASC+T)								●									●												
3715.1	ELECTRONIC SHOCK ABSORBER CONTROL III+ (EDC III+)																													●
5116.0	POWER MIRRORS												●						●	●										
5120.0	ZKE DOOR LOCK HEATING (TSH)																													
5126.0	ZKE CENTRAL LOCKING (ZV)																													
5133.0	ZKE POWER WINDOWS (FH)																													●
5146.0	POWER SUN SHADES																			●										
5200.0	POWER SEATS																													
5200.1	SEAT/MIRROR MEMORY SYSTEM (SM/SPM)												●				●	●	●											



FUSE CHART

FUSES 1 TO 29

		FUSE NUMBER																													
		1	2	3	4	5	6	7	8	9	10	11	12	13	14	15	16	17	18	19	20	21	22	23	24	25	26	27	28	29	
		7.5A	7.5A	7.5A	7.5A	10A	15A	30A	7.5A	20A	7.5A	7.5A	15A	7.5A	7.5A	10A	20A	7.5A	7.5A	30A	30A	7.5A	30A	15A	15A	30A	15A	30A	15A	7.5A	
5203.0	HEATED SEATS																●														
5212.0	LUMBAR SUPPORT																														
5410.0	ZKE SUNROOF (SHD)															●														●	
6100.0	CENTRAL BODY ELECTRONICS (ZKE II)															●														●	
6133.0	HORN								●																						
6160.0	ZKE WIPER/WASHER CONTROL	●														●							●							●	
6164.0	ZKE WINDSHIELD WIPER PRESSURE CONTROL (ADV)									●						●														●	
6167.0	ZKE HEADLIGHT WASHER (SRA)		●													●												●		●	
6169.0	WINDSHIELD WASHER JET HEATERS												●																		
6210.0	BODY ELECTRONICS MODULE (EKM)												●						●	●											
6211.0	INSTRUMENT CLUSTER	●											●						●	●											
6300.0	LIGHT SWITCH DETAILS		●	●	●	●																									
6301.0	LAMP MONITOR (LKM)		●	●	●	●		●	●	●	●	●										●									
6312.0	HEADLIGHTS/ FOG LIGHTS		●	●		●		●		●	●	●		●	●							●						●			
6313.0	TURN/HAZARD LIGHTS			●			●																								
6314.0	PARK/TAIL/ UNDERHOOD LIGHTS		●	●	●	●																									
6320.0	LICENSE PLATE/ LUGGAGE COMPARTMENT LIGHTS		●	●	●	●																									
6322.0	BACK UP LIGHTS																	●													
6325.0	BRAKE LIGHTS			●					●																						



FUSE CHART

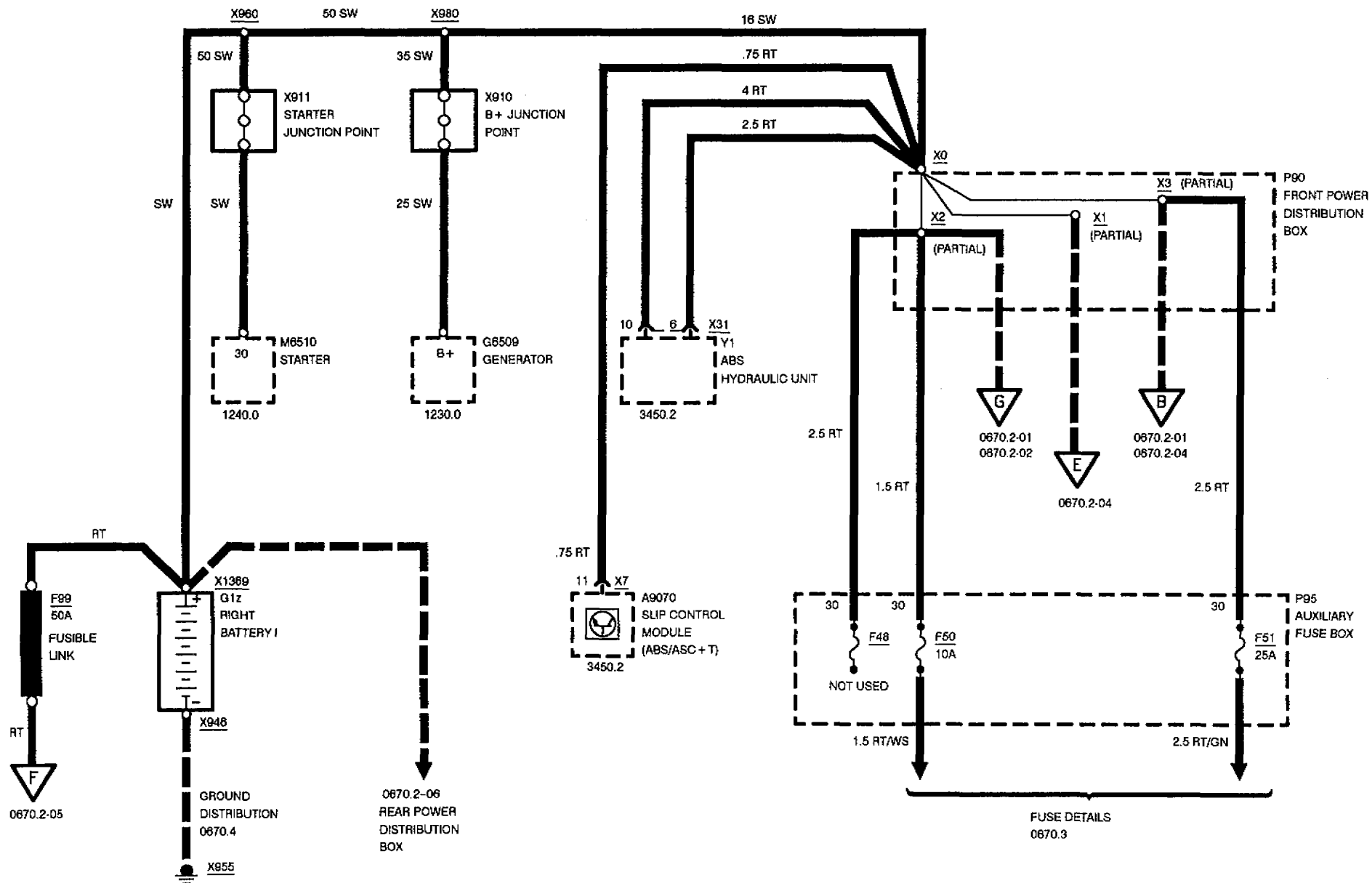
FUSES 1 TO 29

		FUSE NUMBER																												
		1	2	3	4	5	6	7	8	9	10	11	12	13	14	15	16	17	18	19	20	21	22	23	24	25	26	27	28	29
		7.5A	7.5A	7.5A	7.5A	10A	15A	30A	7.5A	20A	7.5A	7.5A	15A	7.5A	7.5A	10A	20A	7.5A	7.5A	30A	30A	7.5A	30A	15A	15A	30A	15A	30A	15A	7.5A
6330.0	ZKE INTERIOR LIGHTS (IB)																													
6332.0	INTERIOR ACCESSORIES		●	●	●	●																								
6350.0	CRASH CONTROL MODULE						●																							
6412.2	PARK VENTILATION WITH IHKA	●																												
6424.0	REAR WINDOW DEFOGGER/ ANTENNA																													
6450.0	AUTOMATIC HEATING/AC CONTROL (IHKA)	●																												
6454.0	AUXILIARY FAN																													
6510.1	RADIO/HIFI																													
6561.0	CELLULAR TELEPHONE (PROVISIONS)																													
6575.1	ANTI-THEFT SYSTEM III (DWA III)																													
6581.0	MULTI- INFORMATION DISPLAY (MID)																													



POWER DISTRIBUTION

FRONT POWER DISTRIBUTION BOX

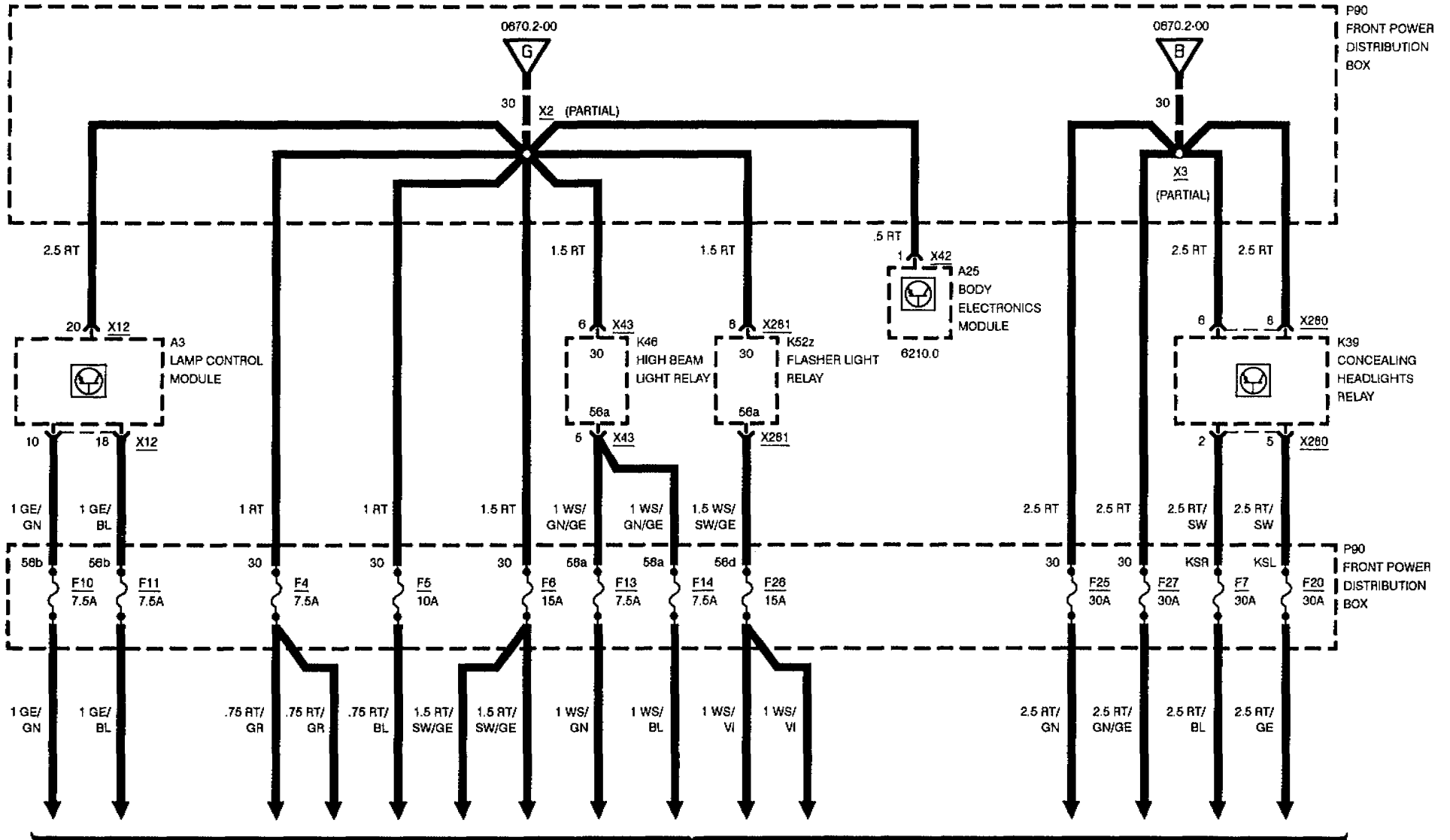


FUSE DETAILS
0670.3



POWER DISTRIBUTION

FRONT POWER DISTRIBUTION BOX

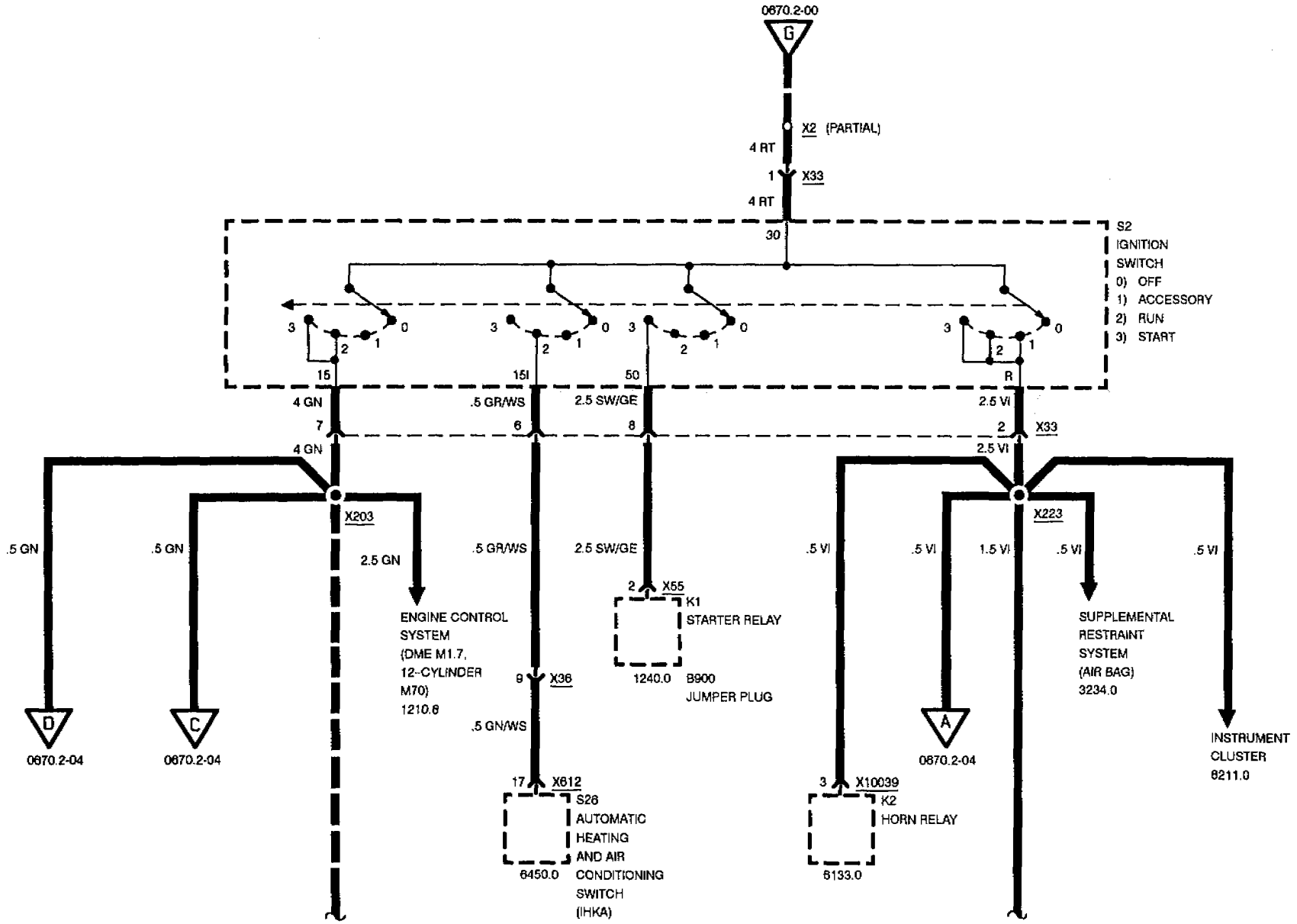


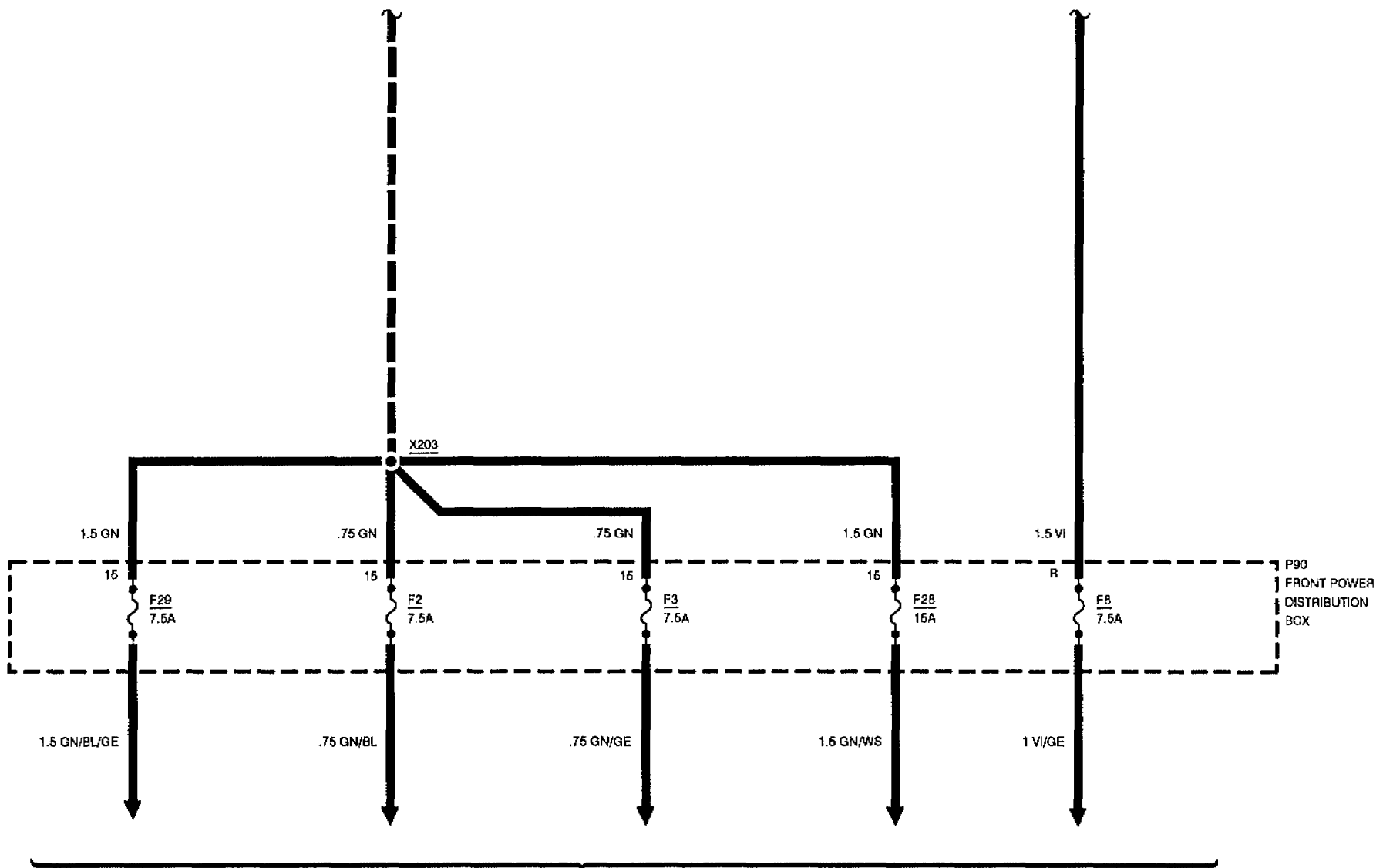
FUSE DETAILS
0670.3



POWER DISTRIBUTION

FRONT POWER DISTRIBUTION BOX



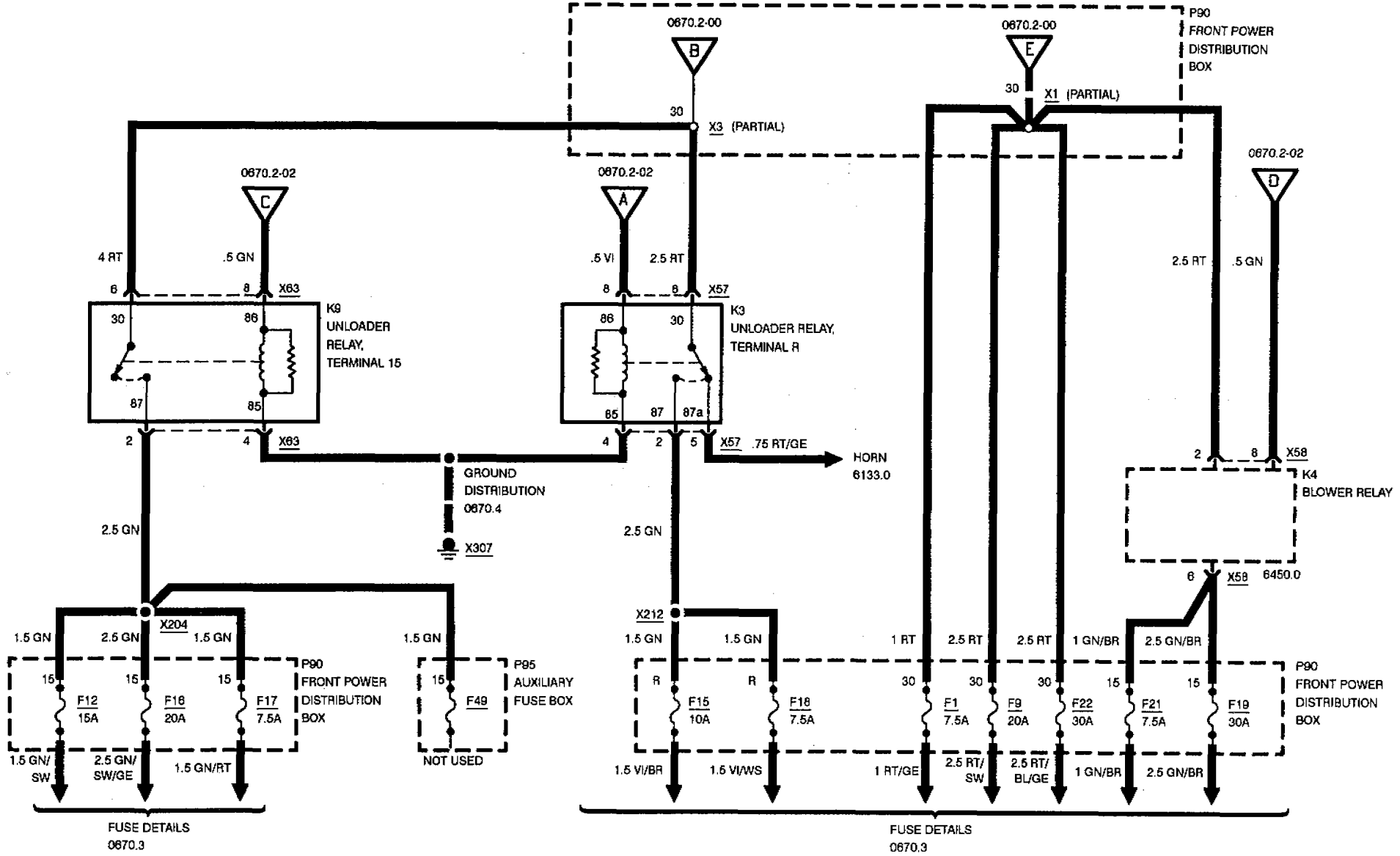


FUSE DETAILS
0670.3



POWER DISTRIBUTION

FRONT POWER DISTRIBUTION BOX

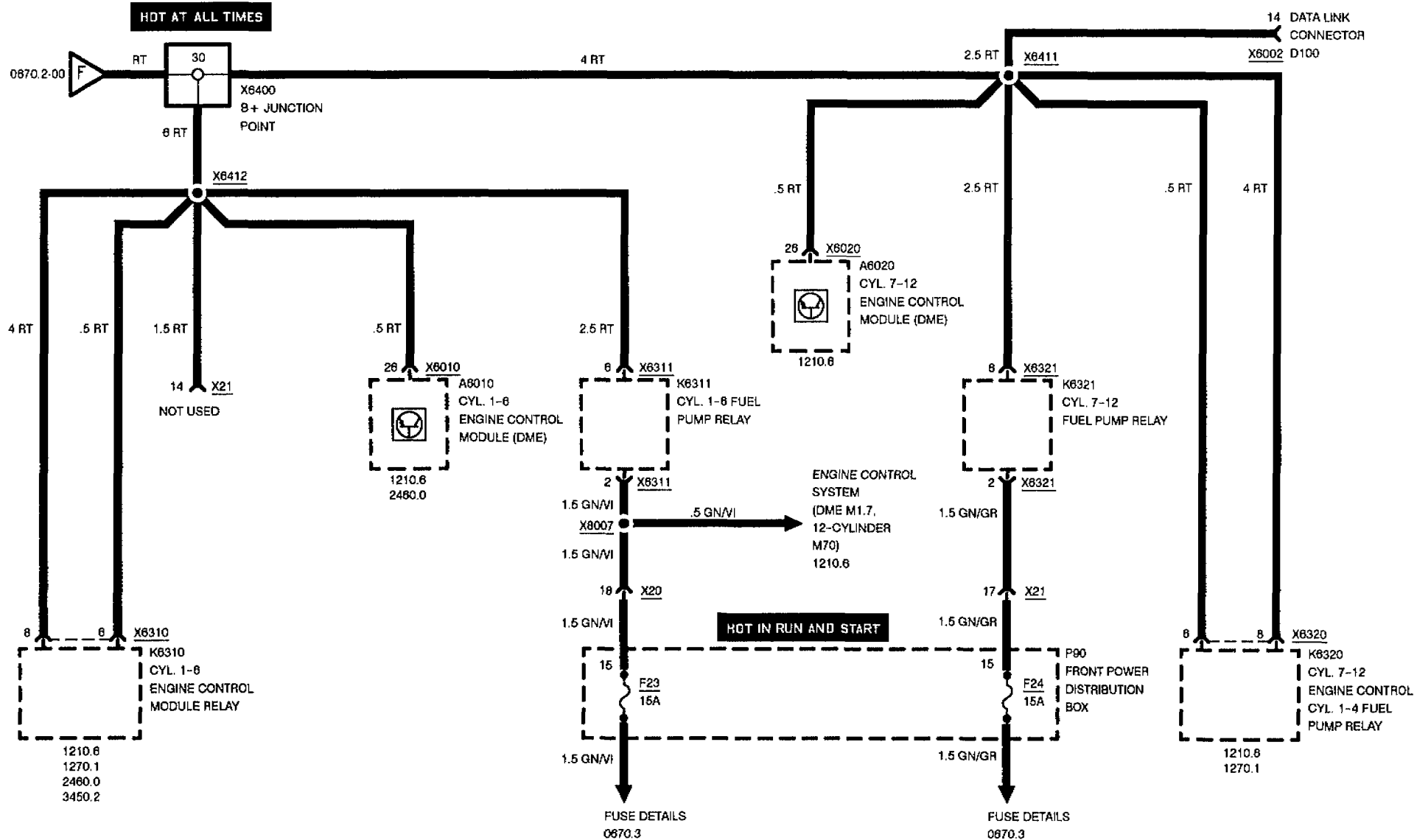


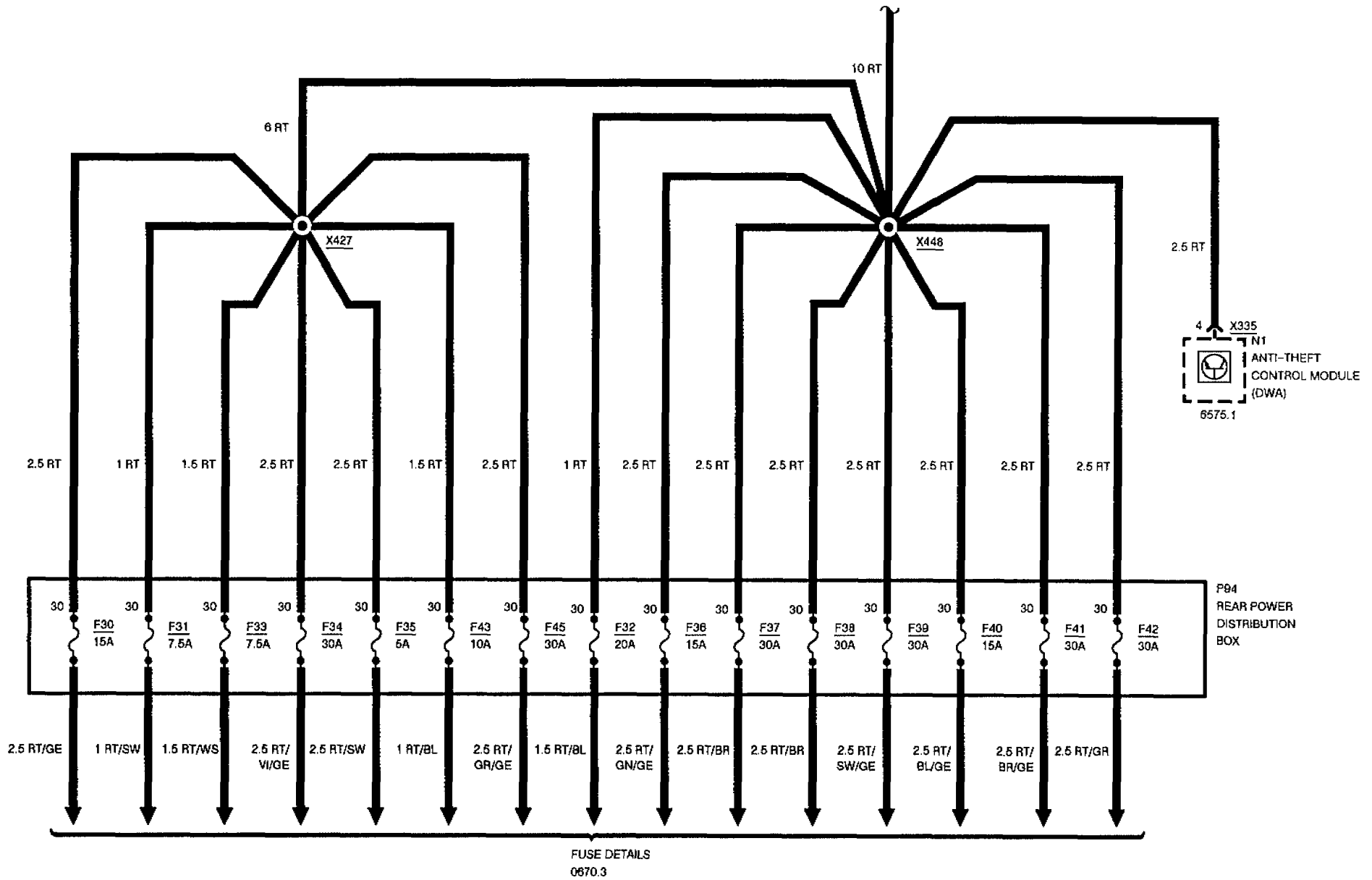
FUSE DETAILS
0670.3

FUSE DETAILS
0670.3



POWER DISTRIBUTION

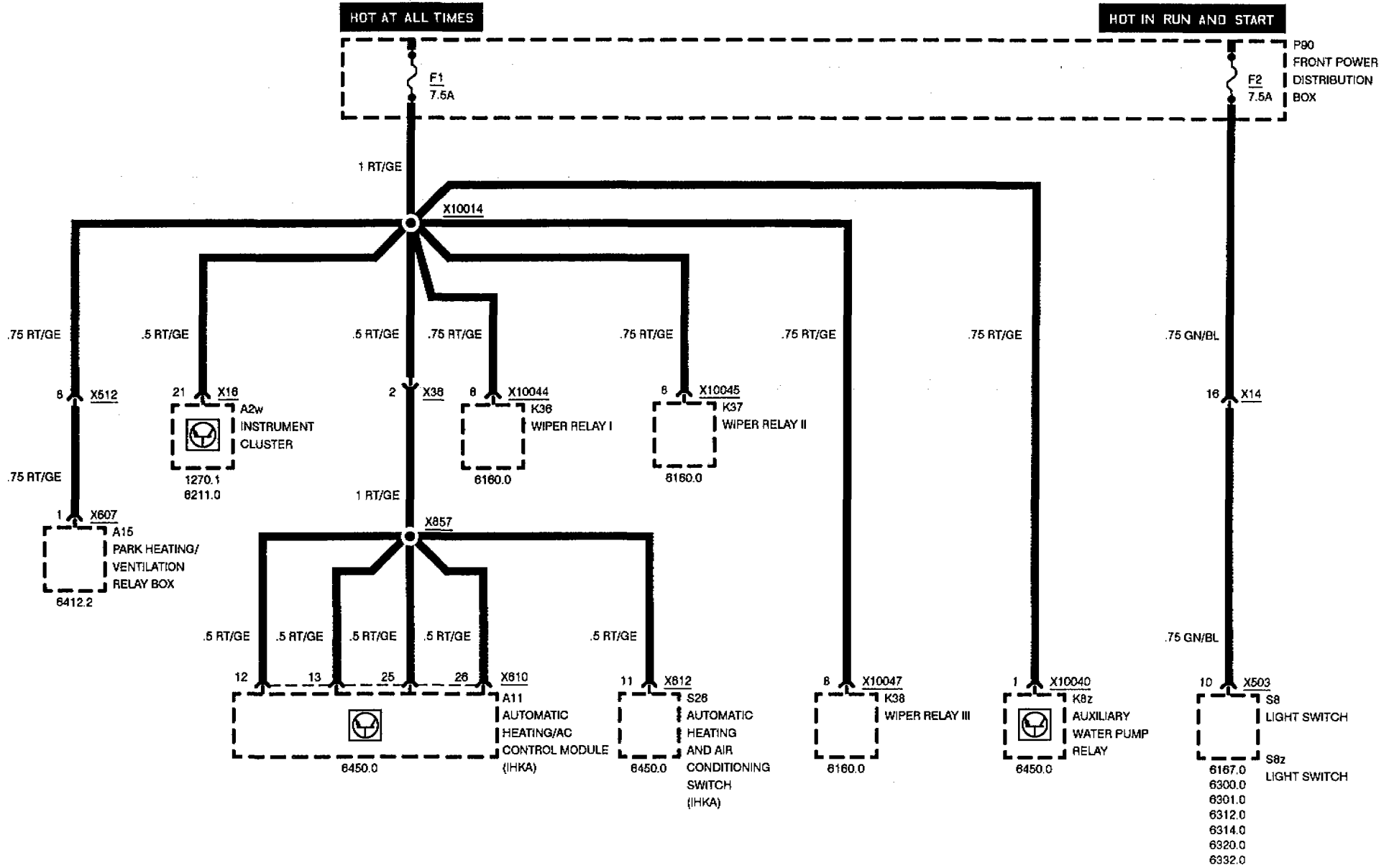






FUSE DETAILS

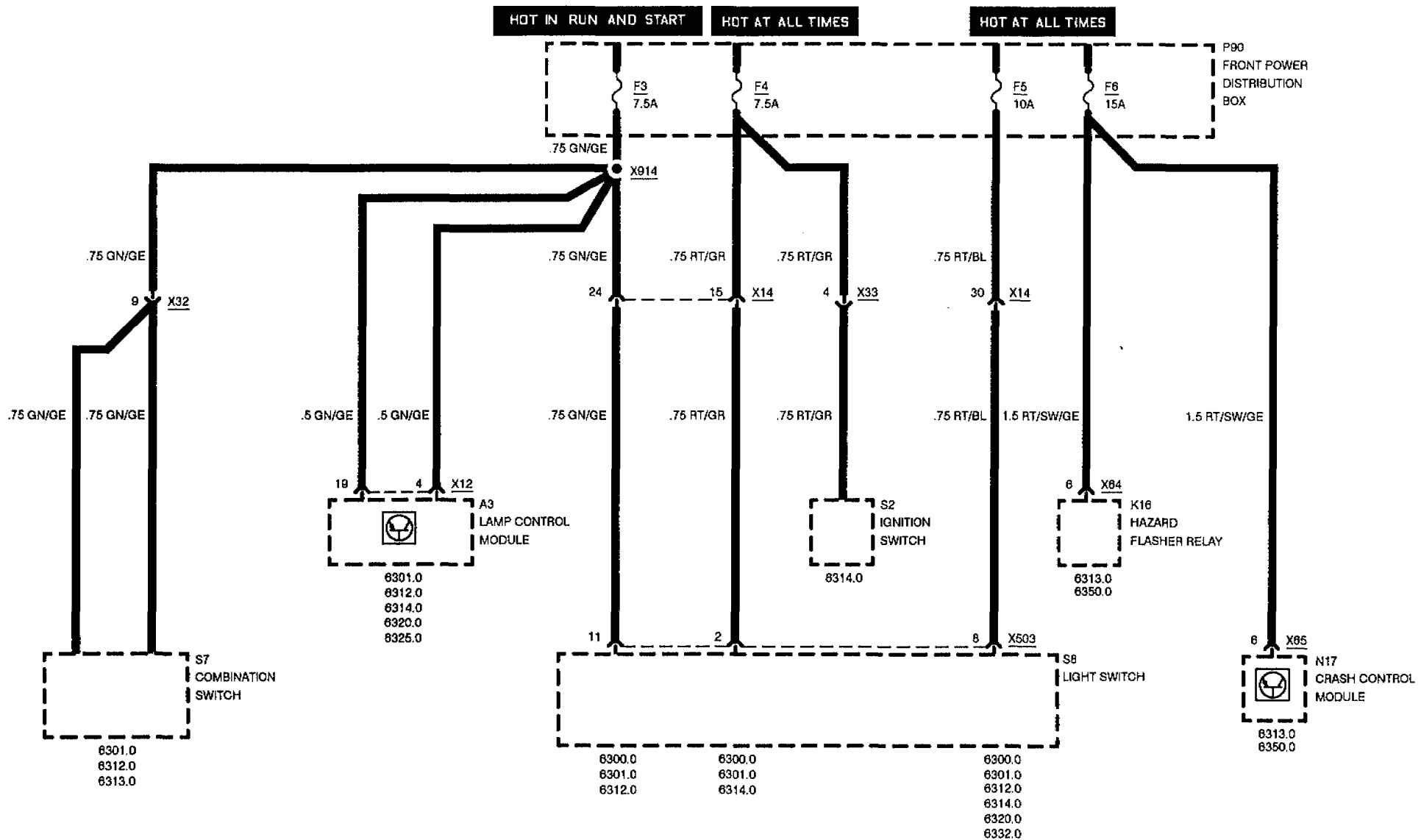
FUSES 1 AND 2





FUSE DETAILS

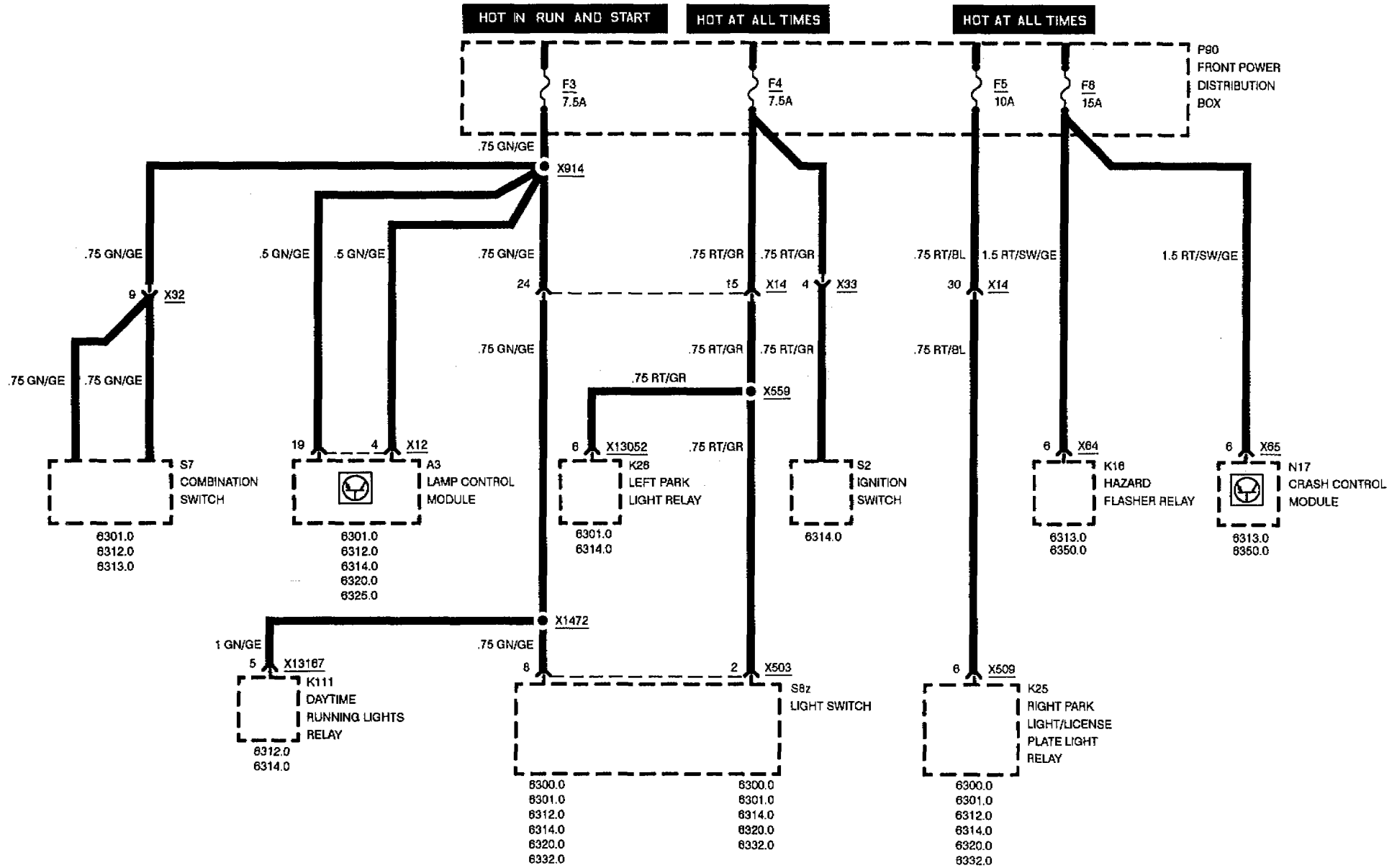
FUSES 3, 4, 5, AND 6





FUSE DETAILS

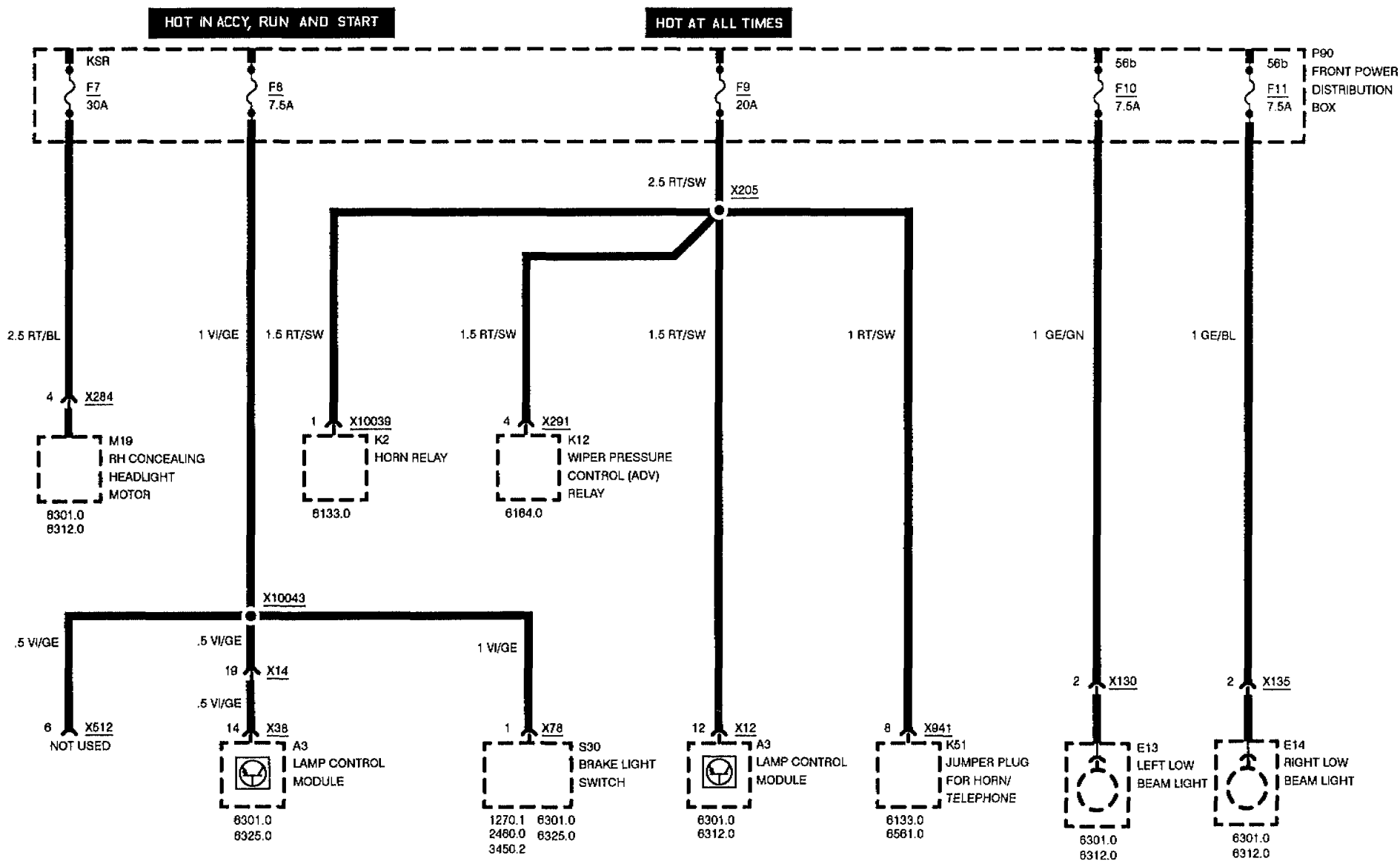
FUSES 3, 4, 5, AND 6





FUSE DETAILS

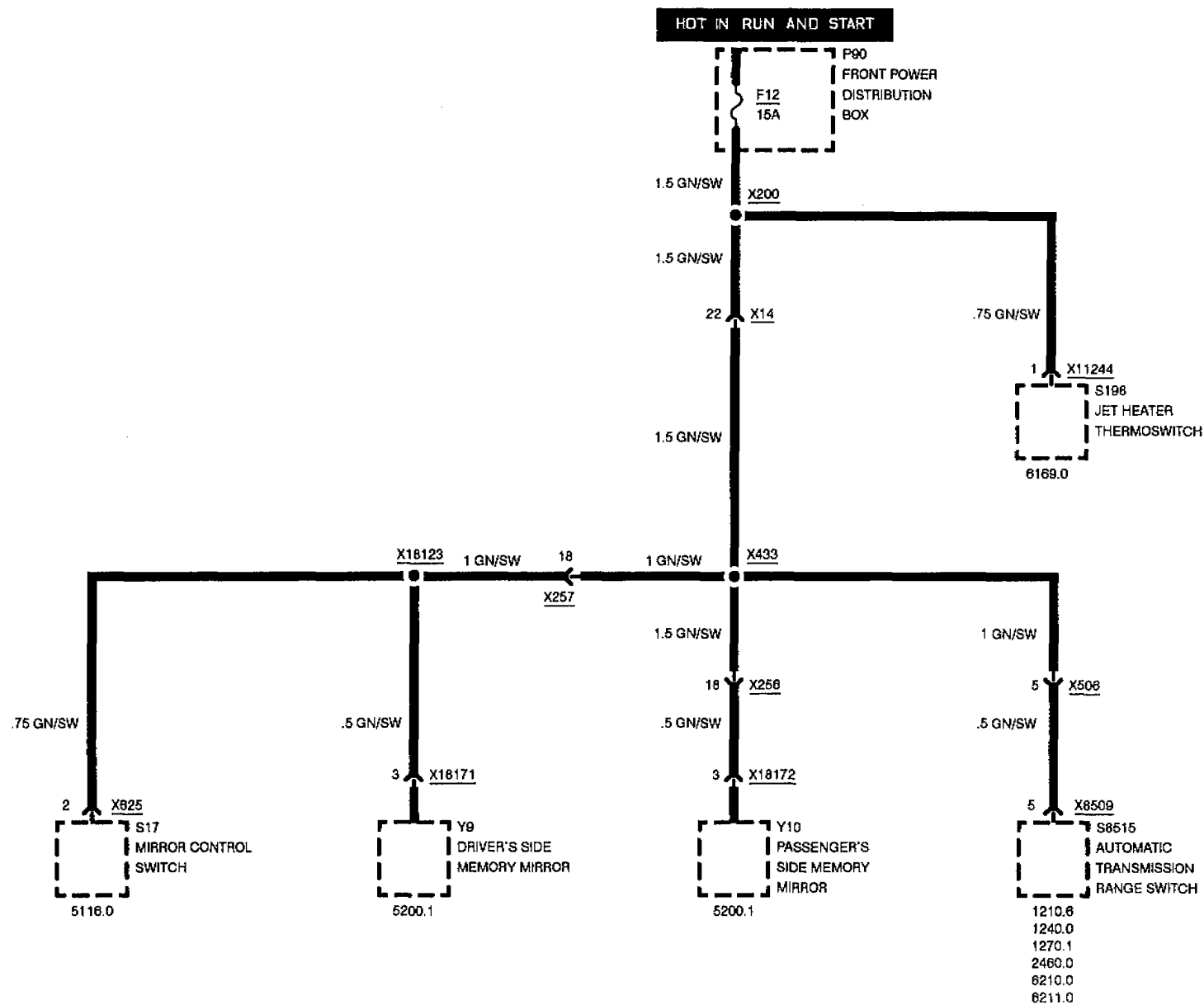
FUSES 7, 8, 9, 10, AND 11





FUSE DETAILS

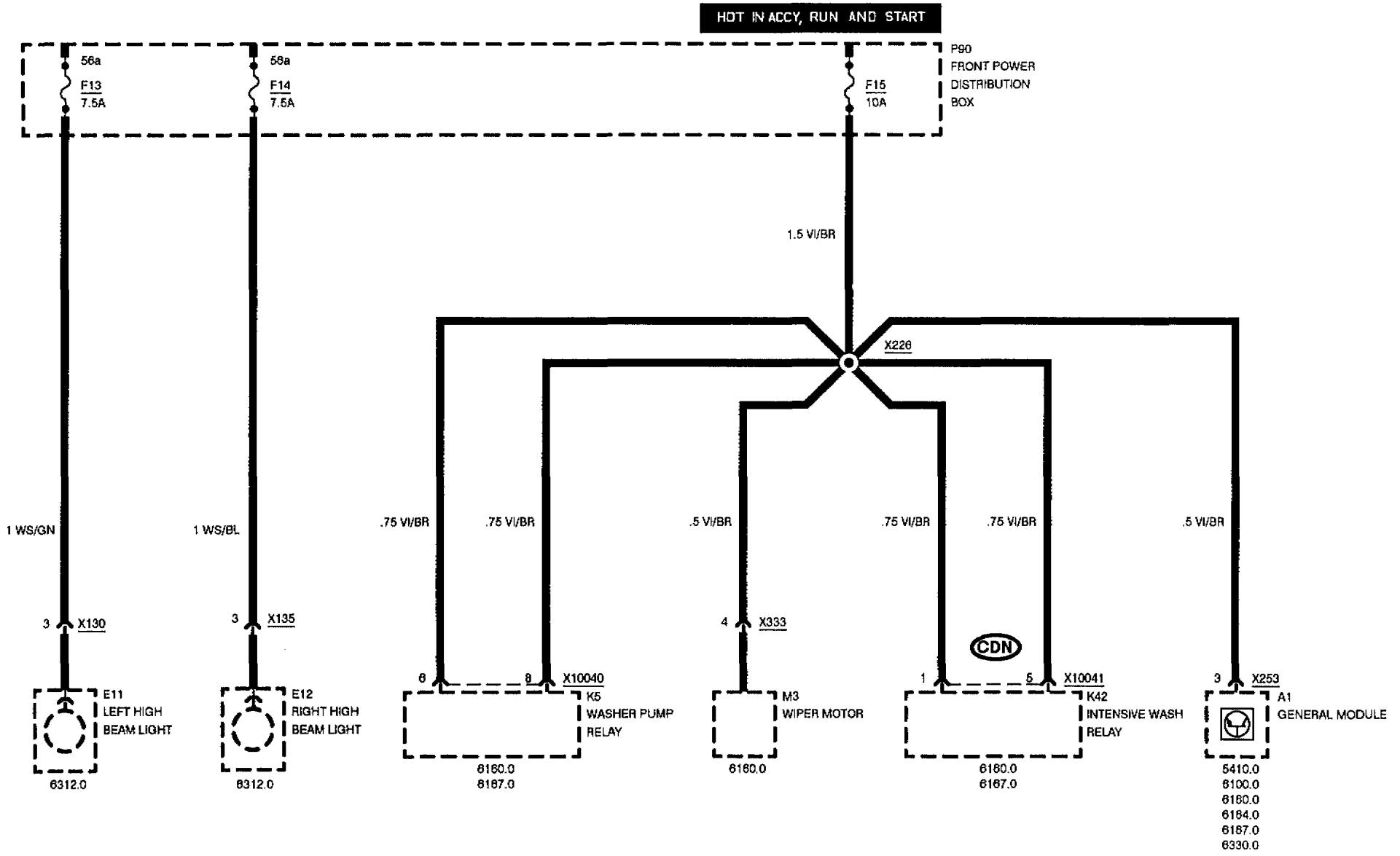
FUSE 12





FUSE DETAILS

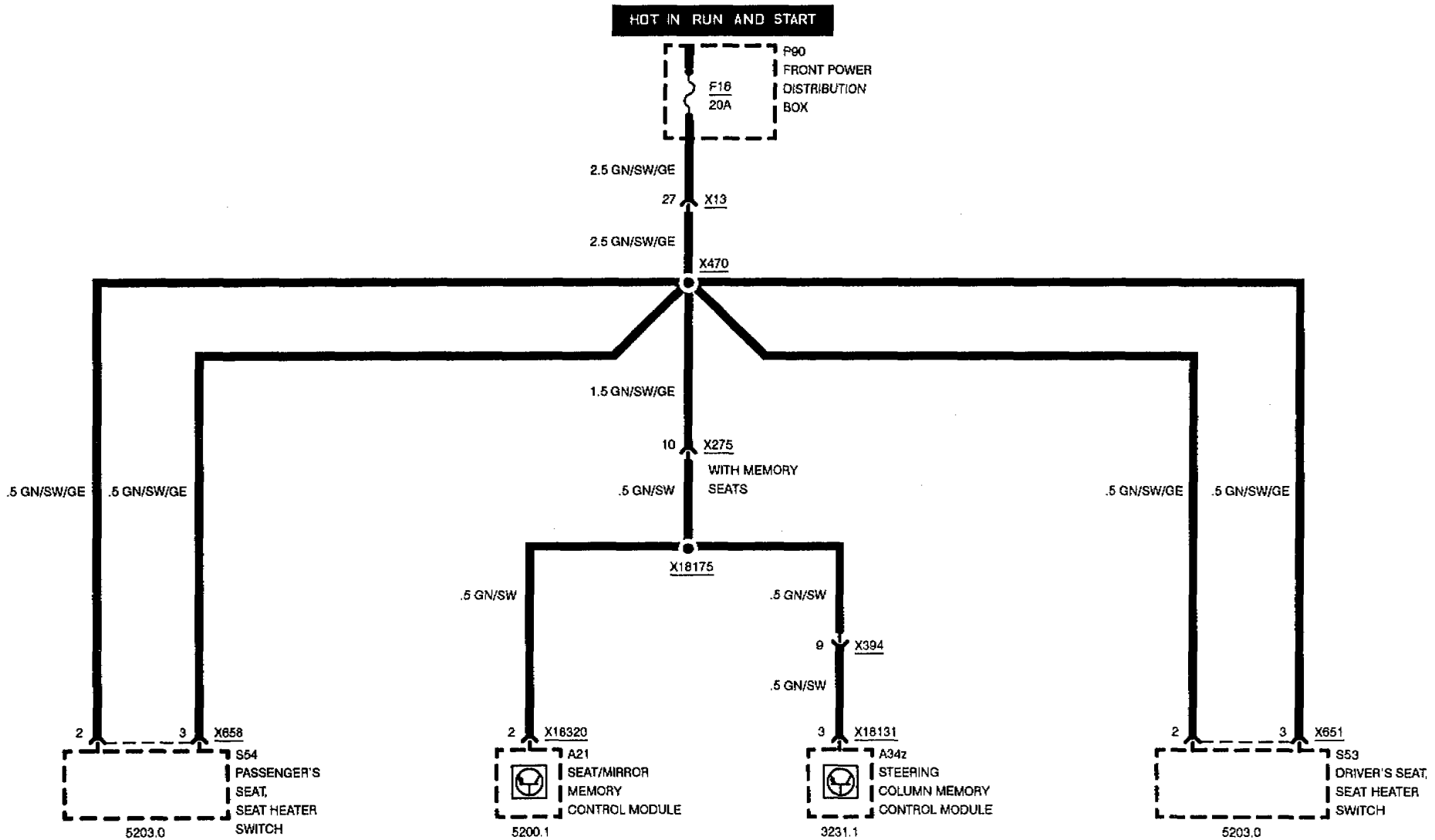
FUSES 13, 14, AND 15





FUSE DETAILS

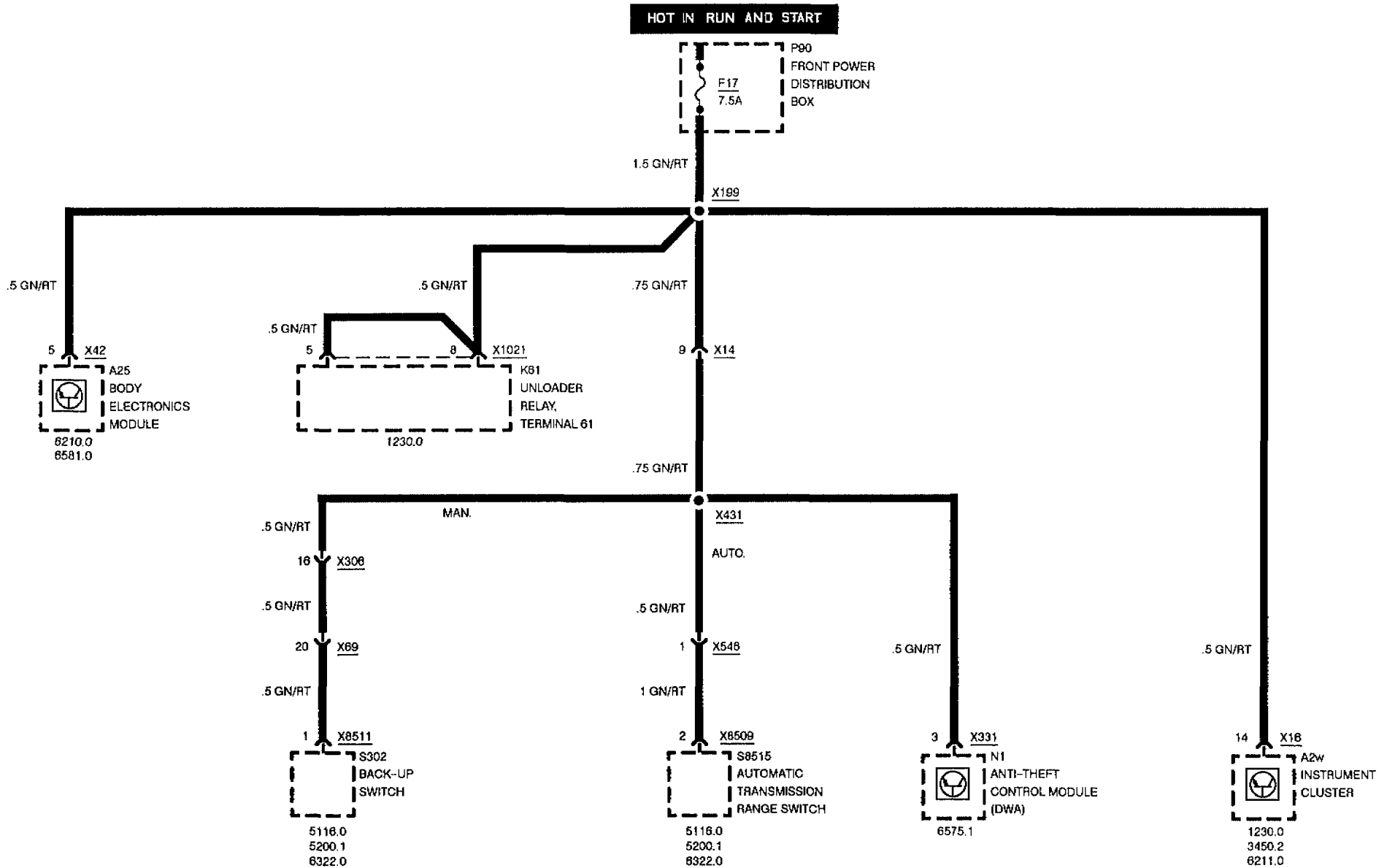
FUSE 16





FUSE DETAILS

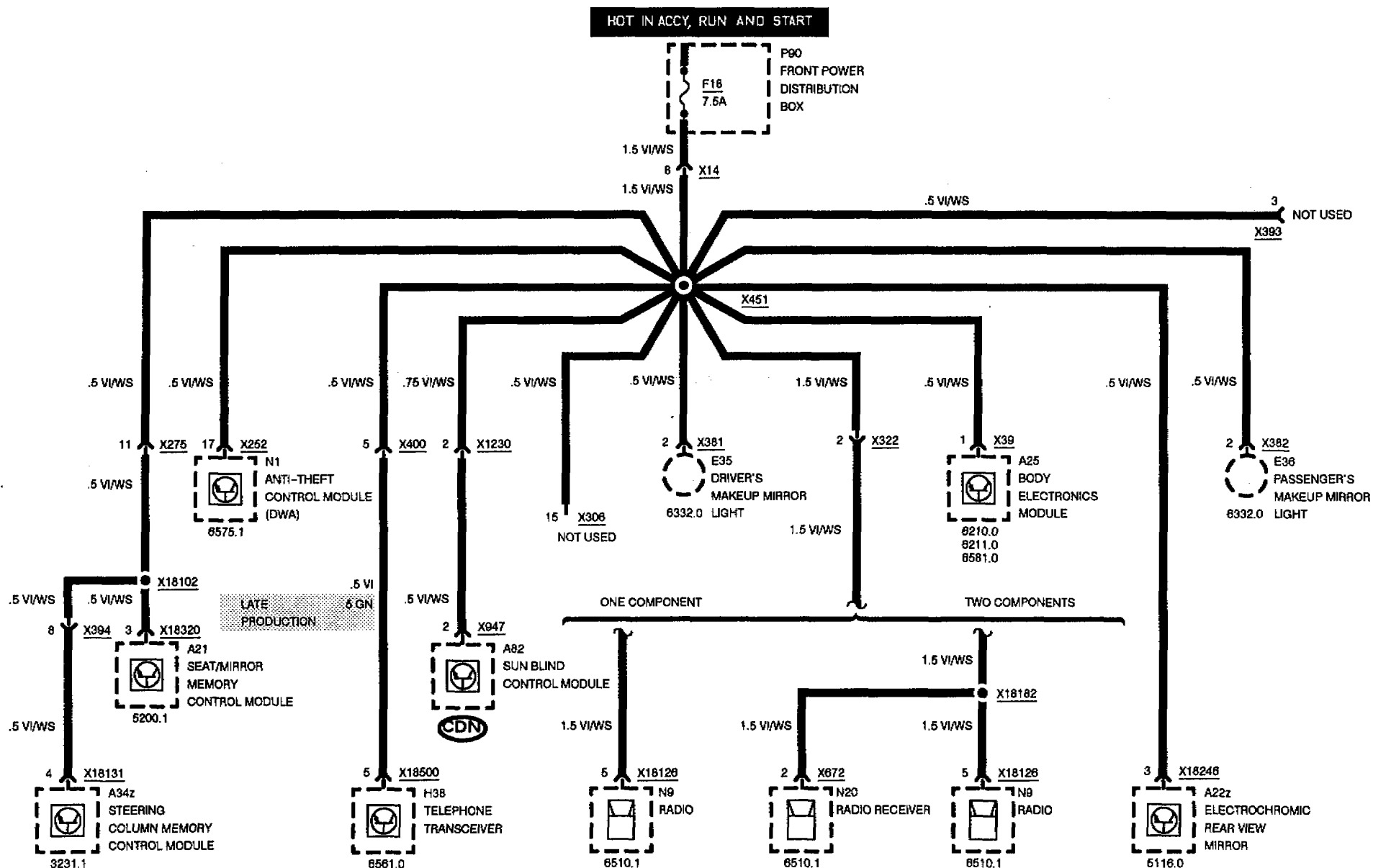
FUSE 17





FUSE DETAILS

FUSE 18



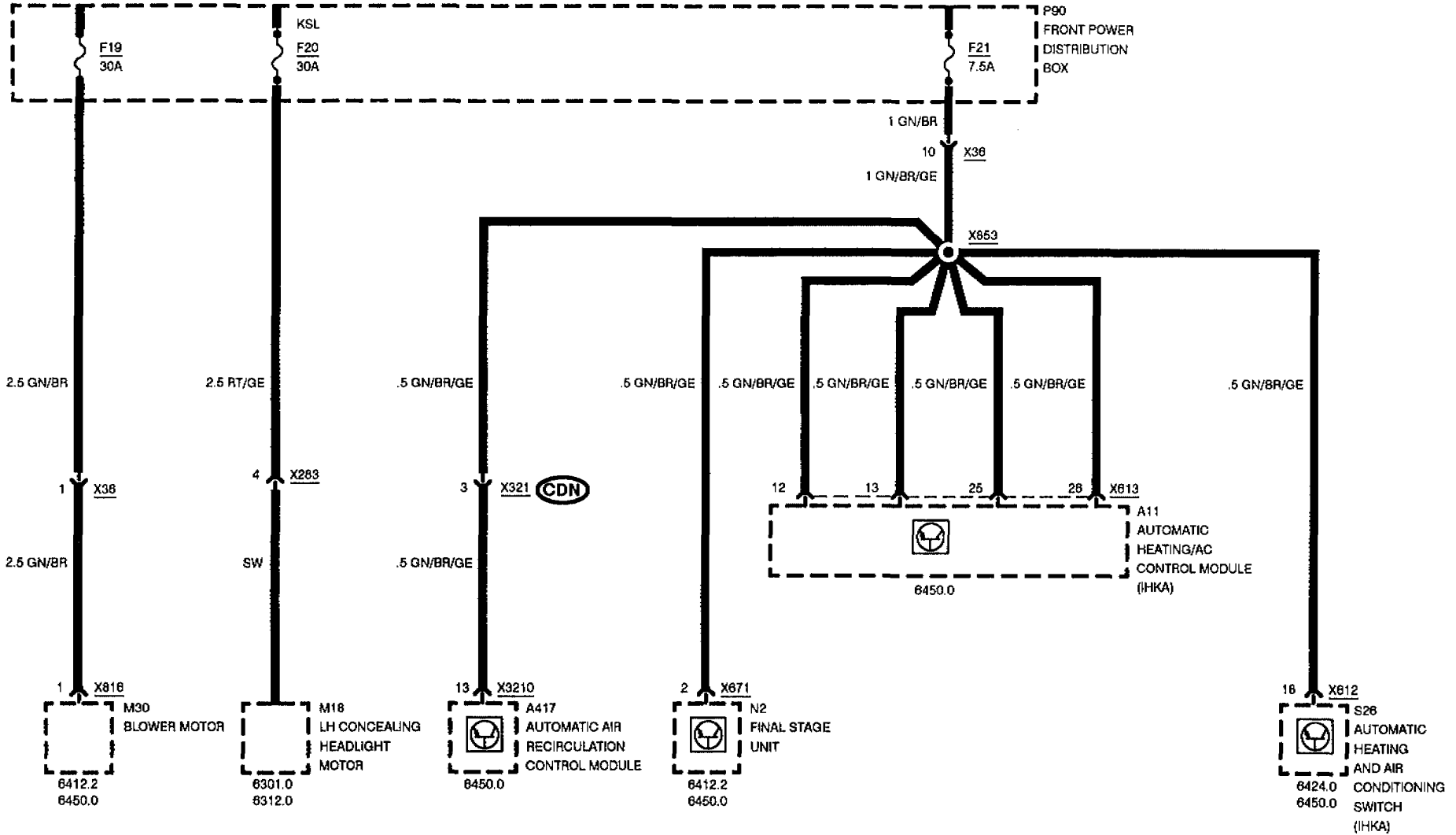


FUSE DETAILS

FUSES 19, 20, AND 21

HOT IN RUN AND START

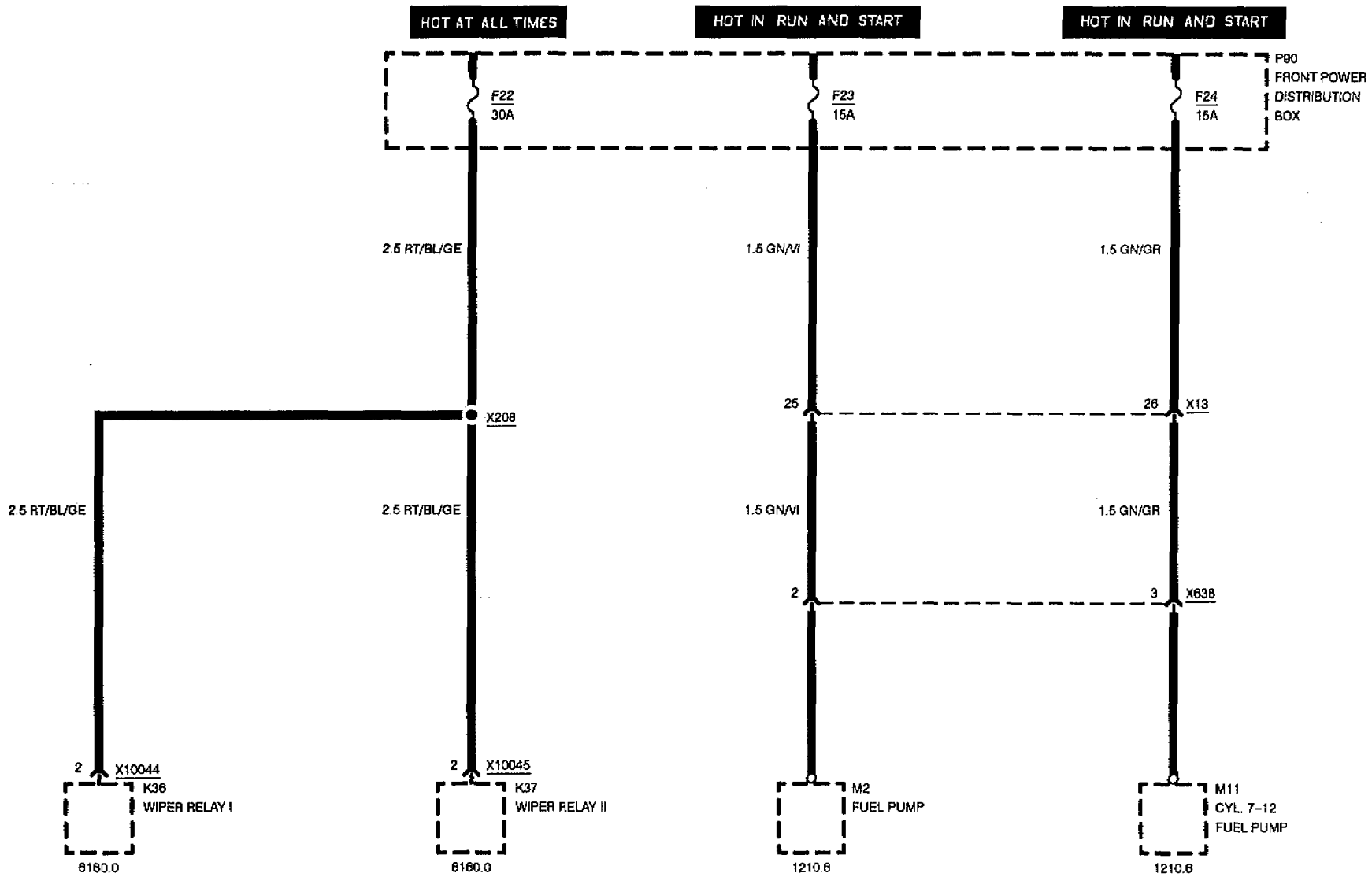
HOT IN RUN AND START





FUSE DETAILS

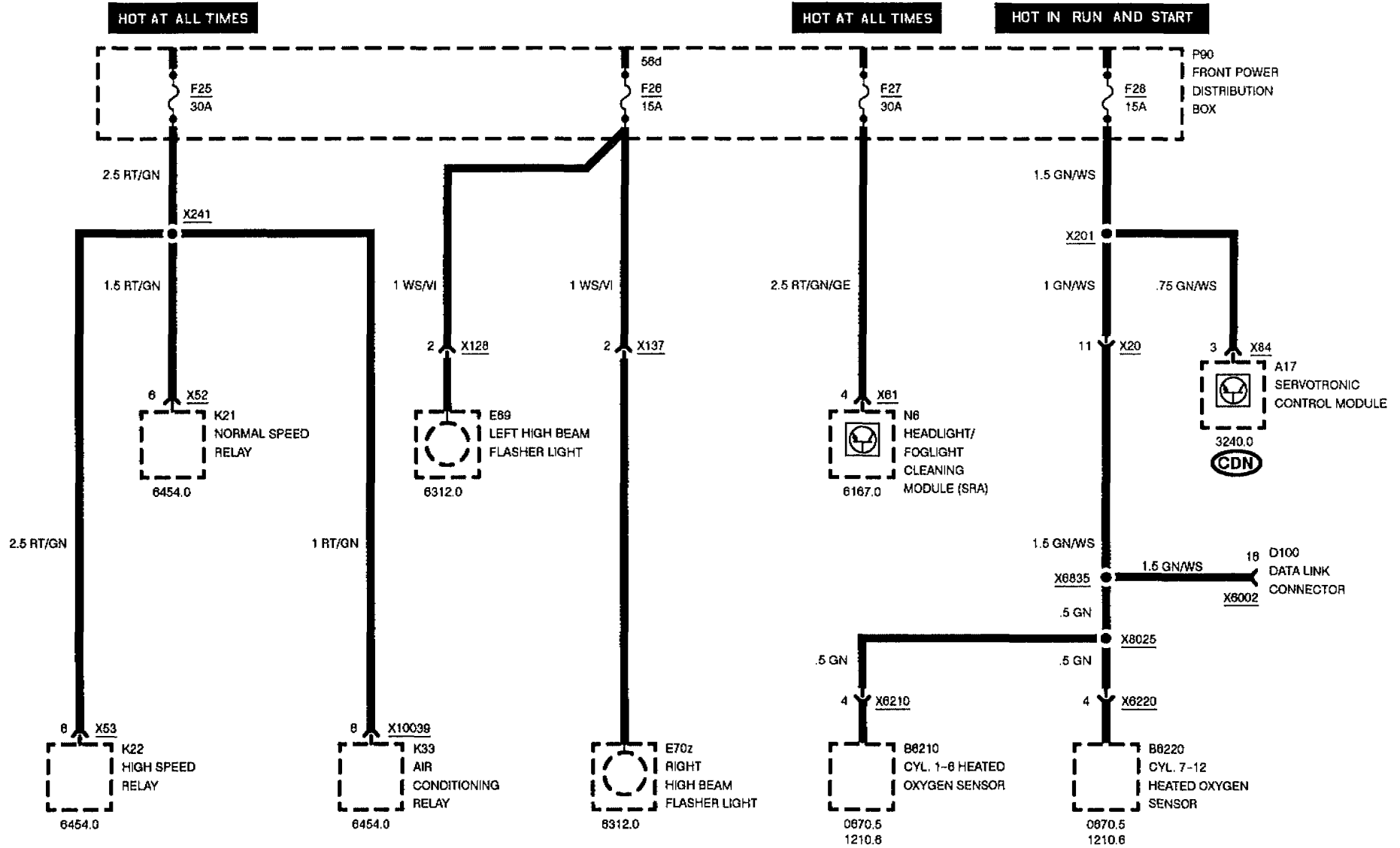
FUSES 22, 23, AND 24





FUSE DETAILS

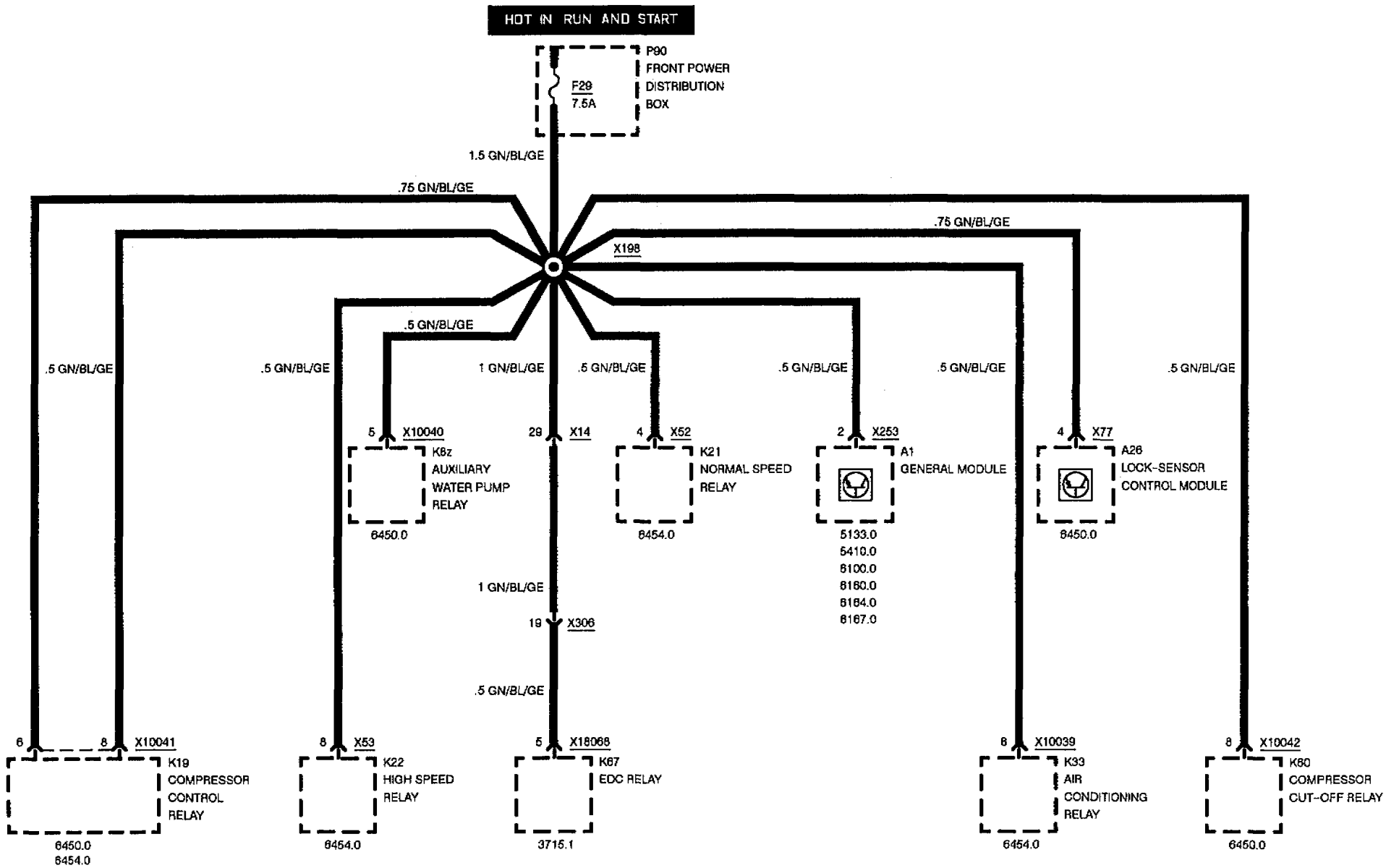
FUSES 25, 26, 27, AND 28





FUSE DETAILS

FUSE 29





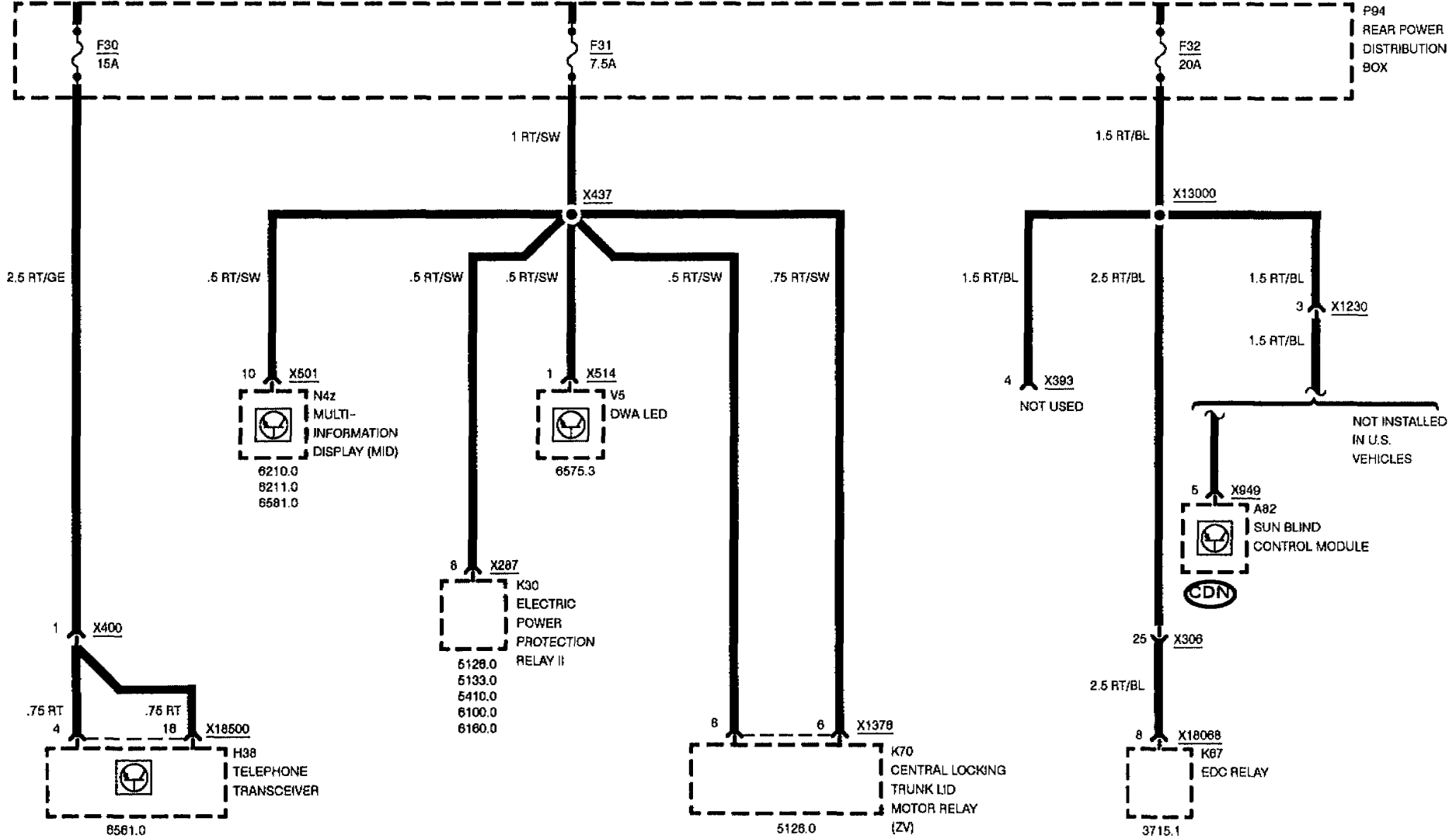
FUSE DETAILS

FUSES 30, 31, AND 32

HOT AT ALL TIMES

HOT AT ALL TIMES

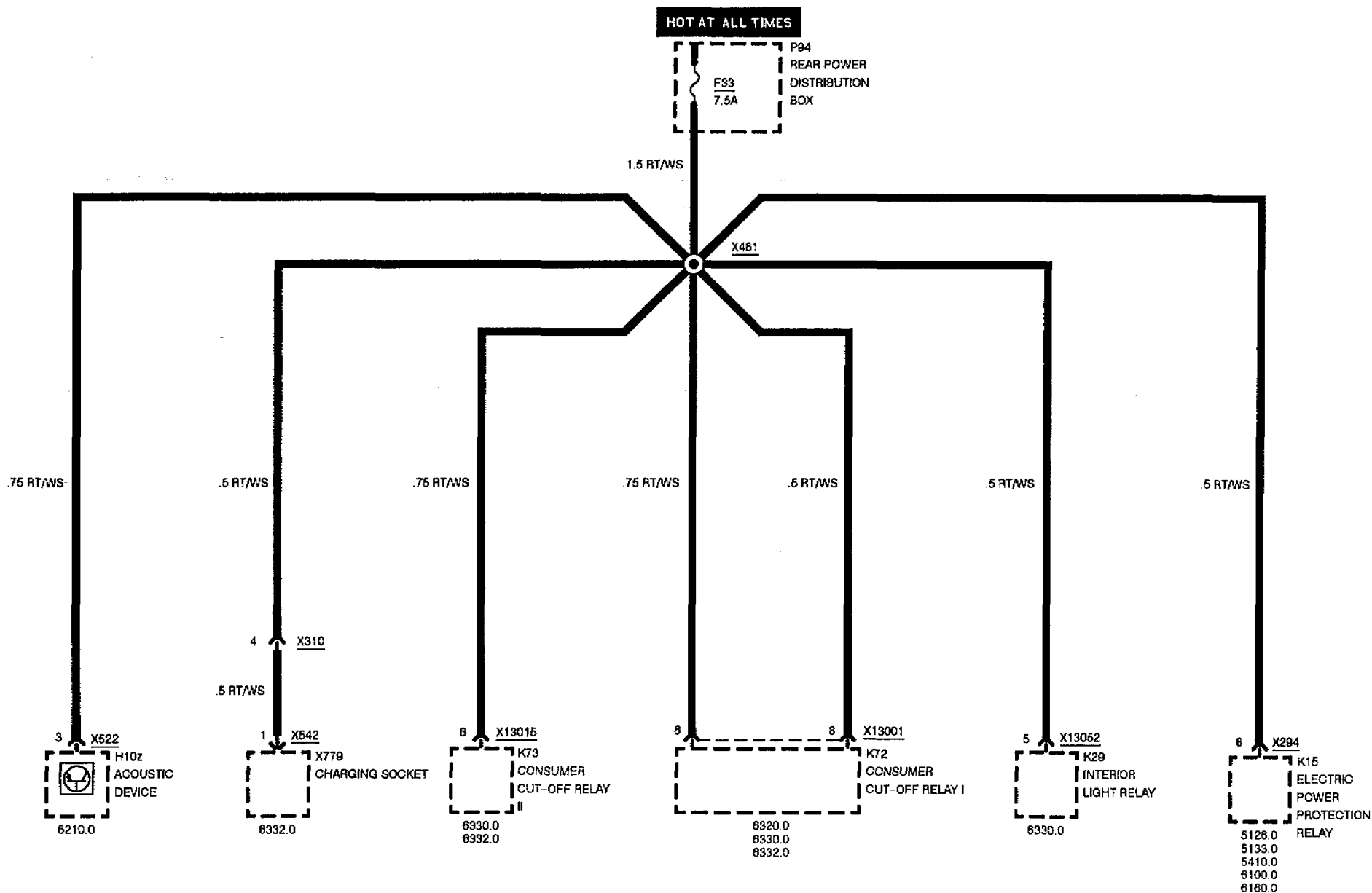
HOT AT ALL TIMES





FUSE DETAILS

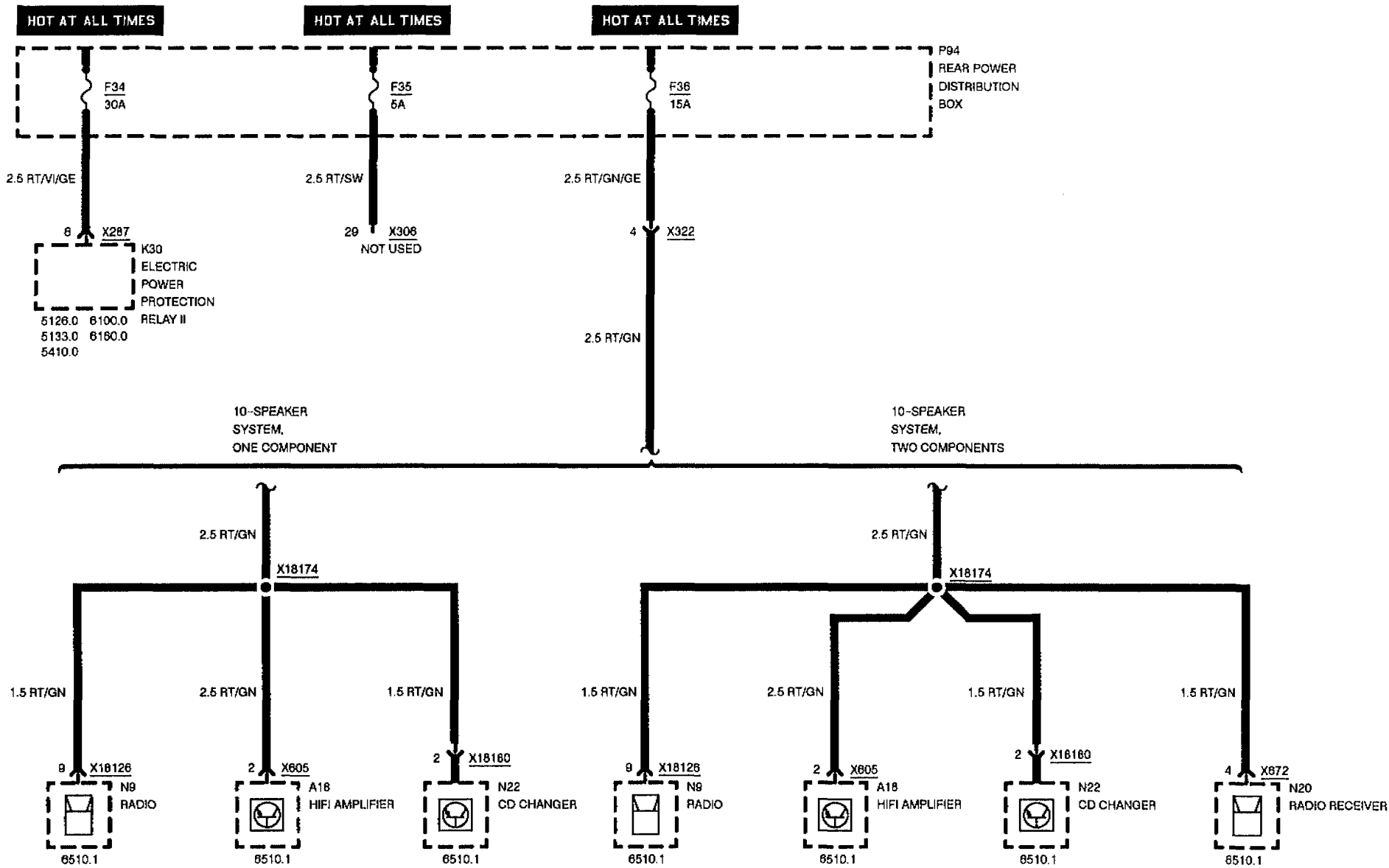
FUSE 33





FUSE DETAILS

FUSES 34, 35, AND 36

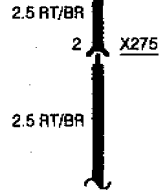
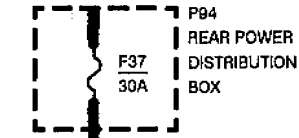




FUSE DETAILS

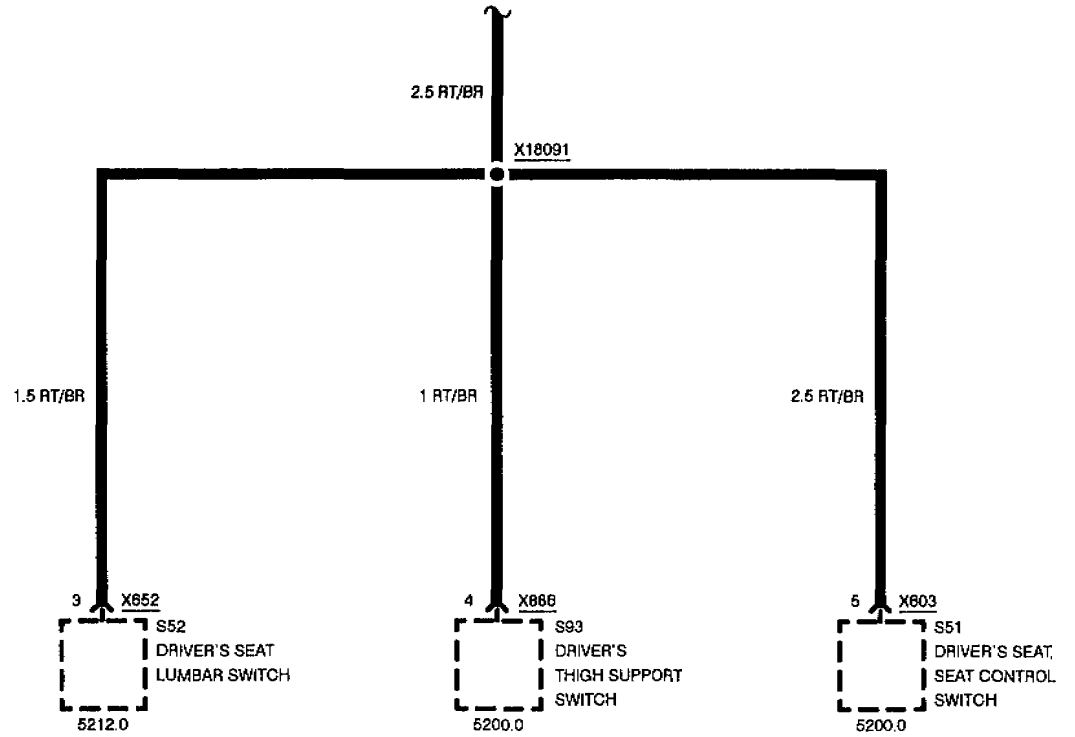
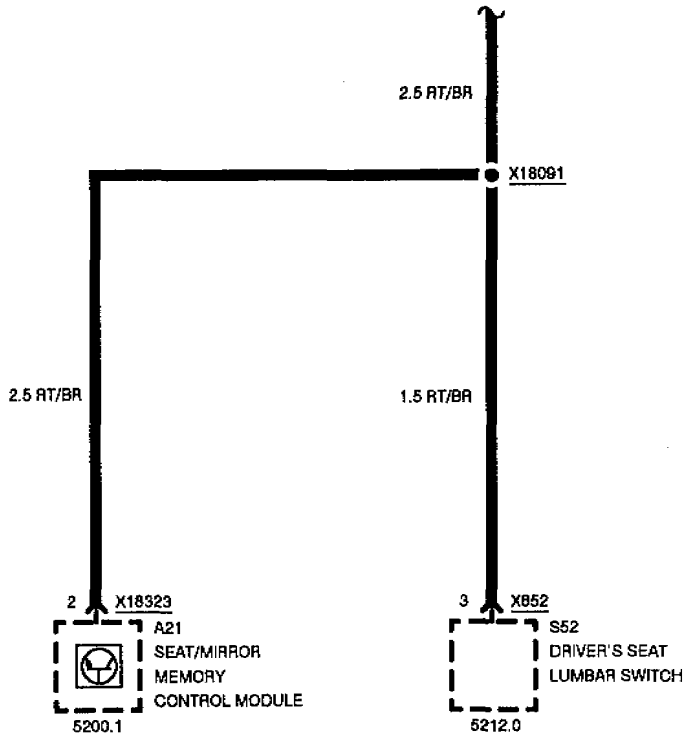
FUSE 37

HOT AT ALL TIMES



WITH MEMORY

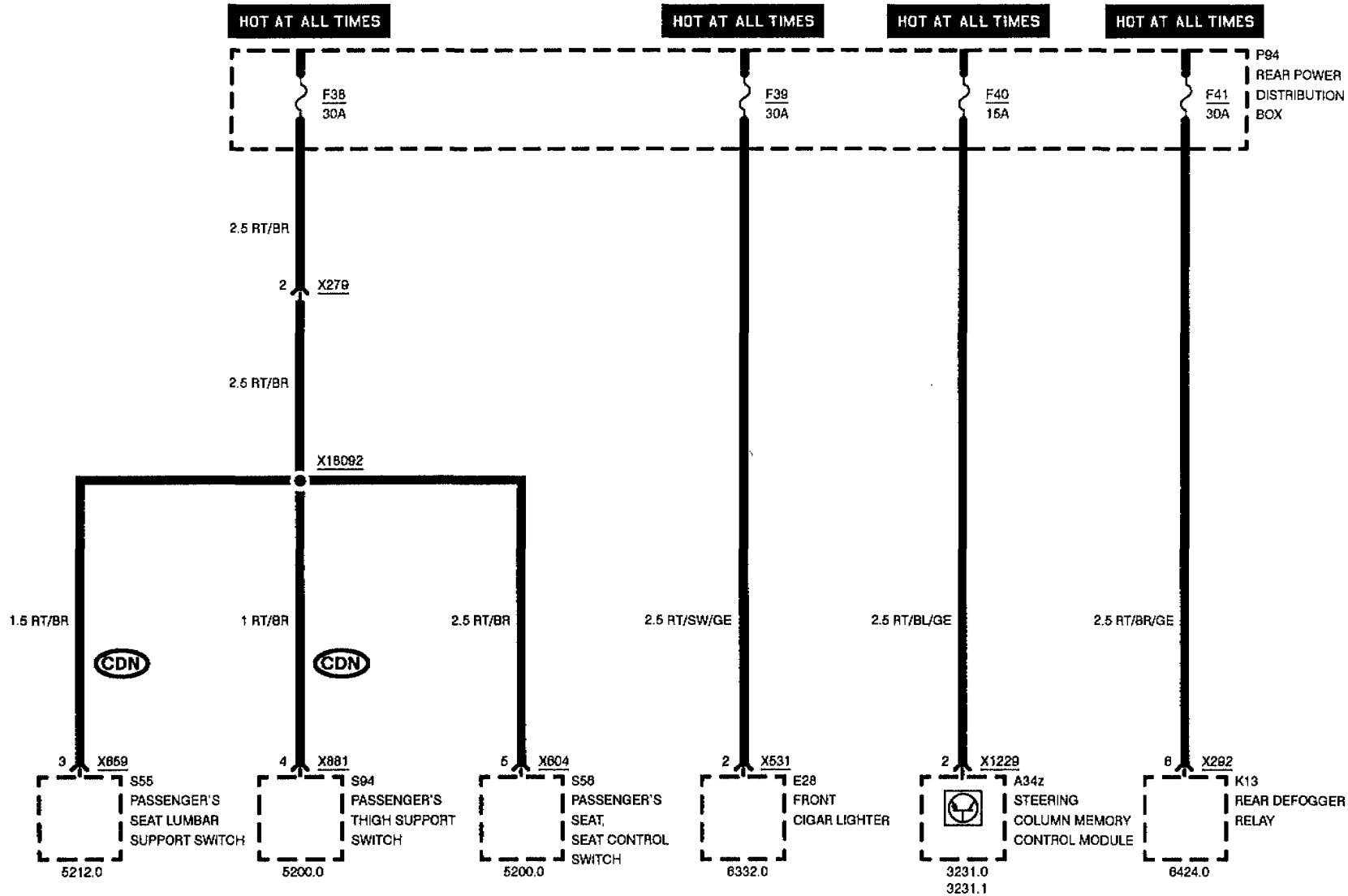
WITHOUT MEMORY





FUSE DETAILS

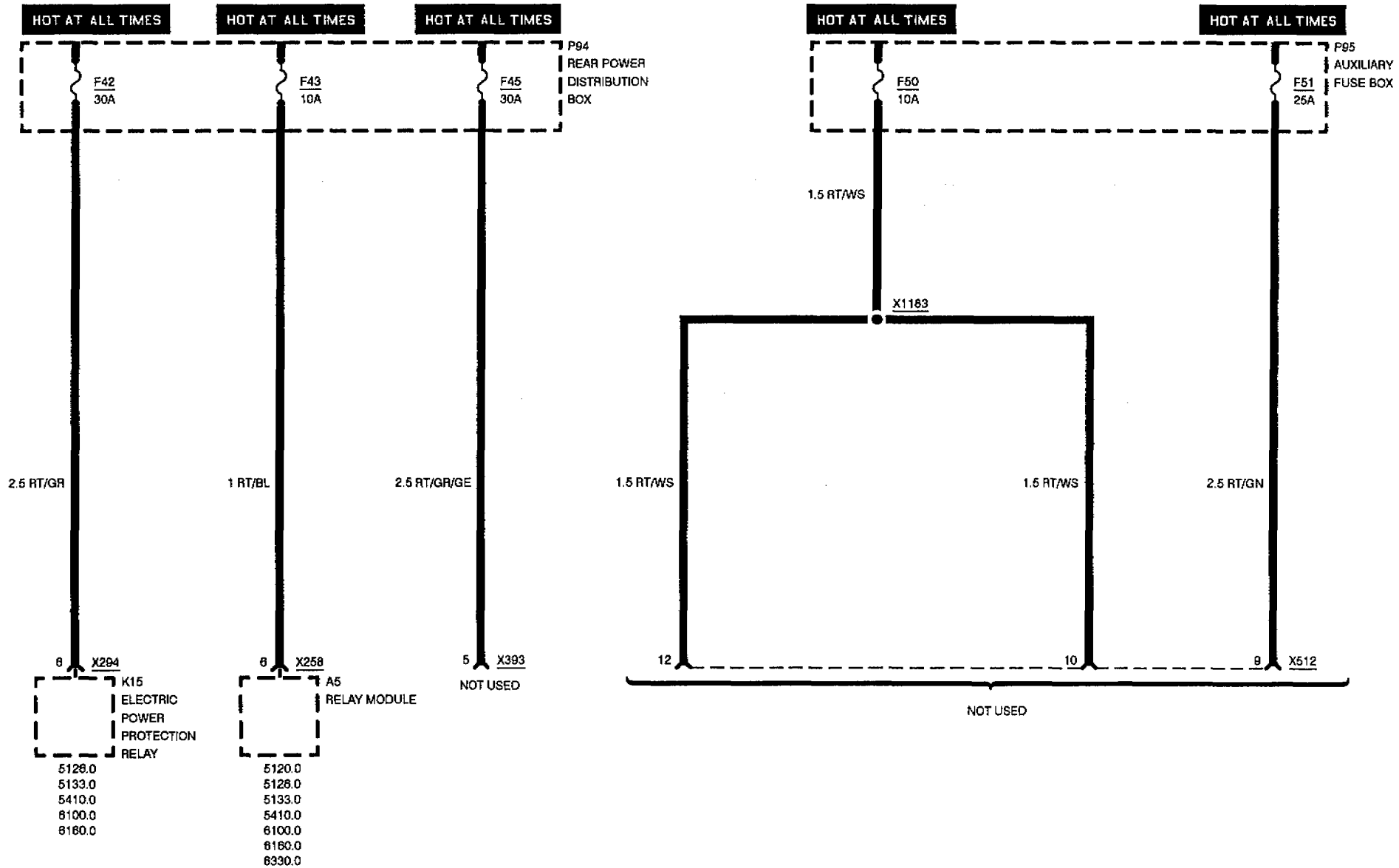
FUSES 38, 39, 40, AND 41





FUSE DETAILS

FUSES 42, 43, 45, 50, AND 51



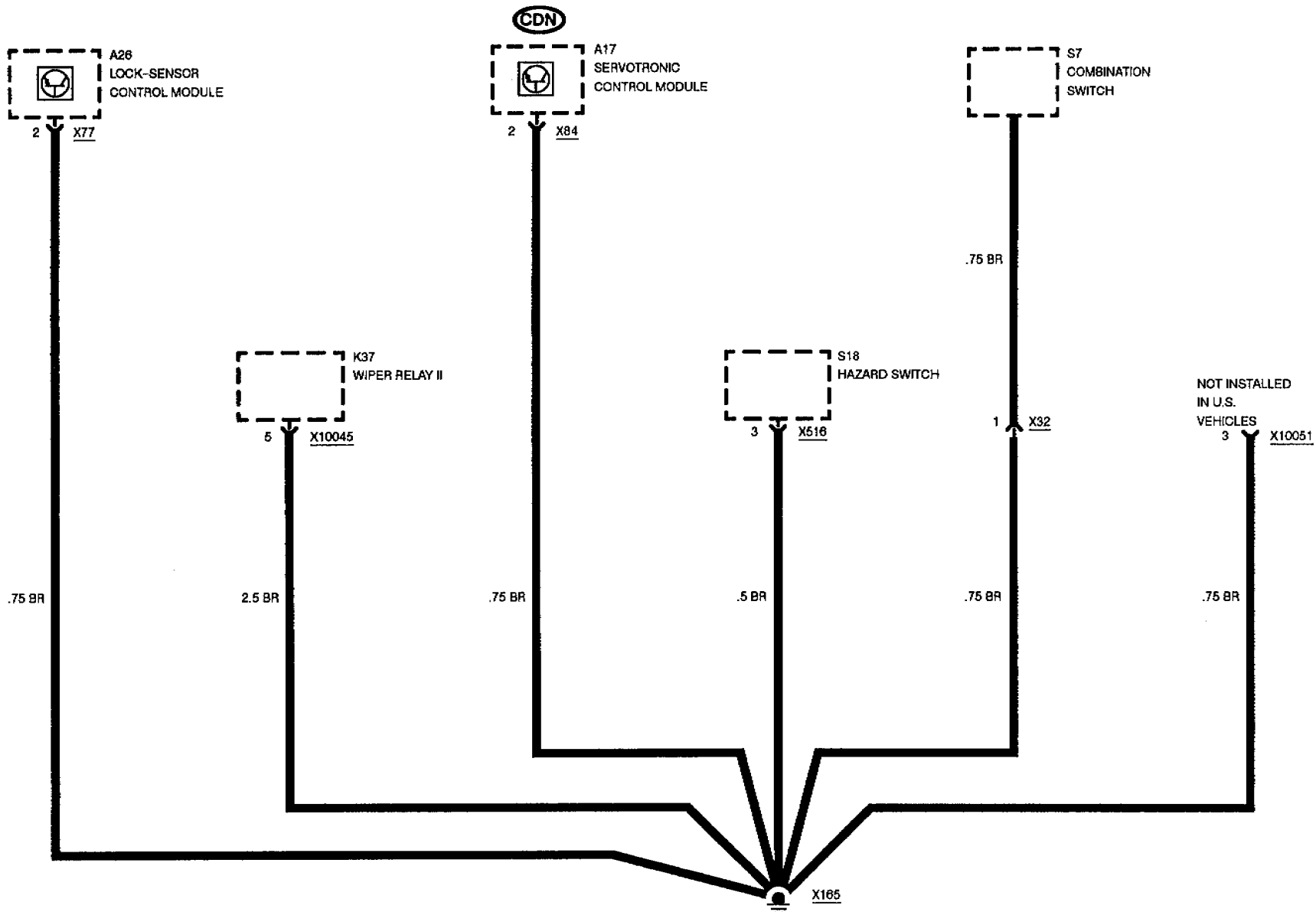
BMW
8

0670.4



GROUND DISTRIBUTION

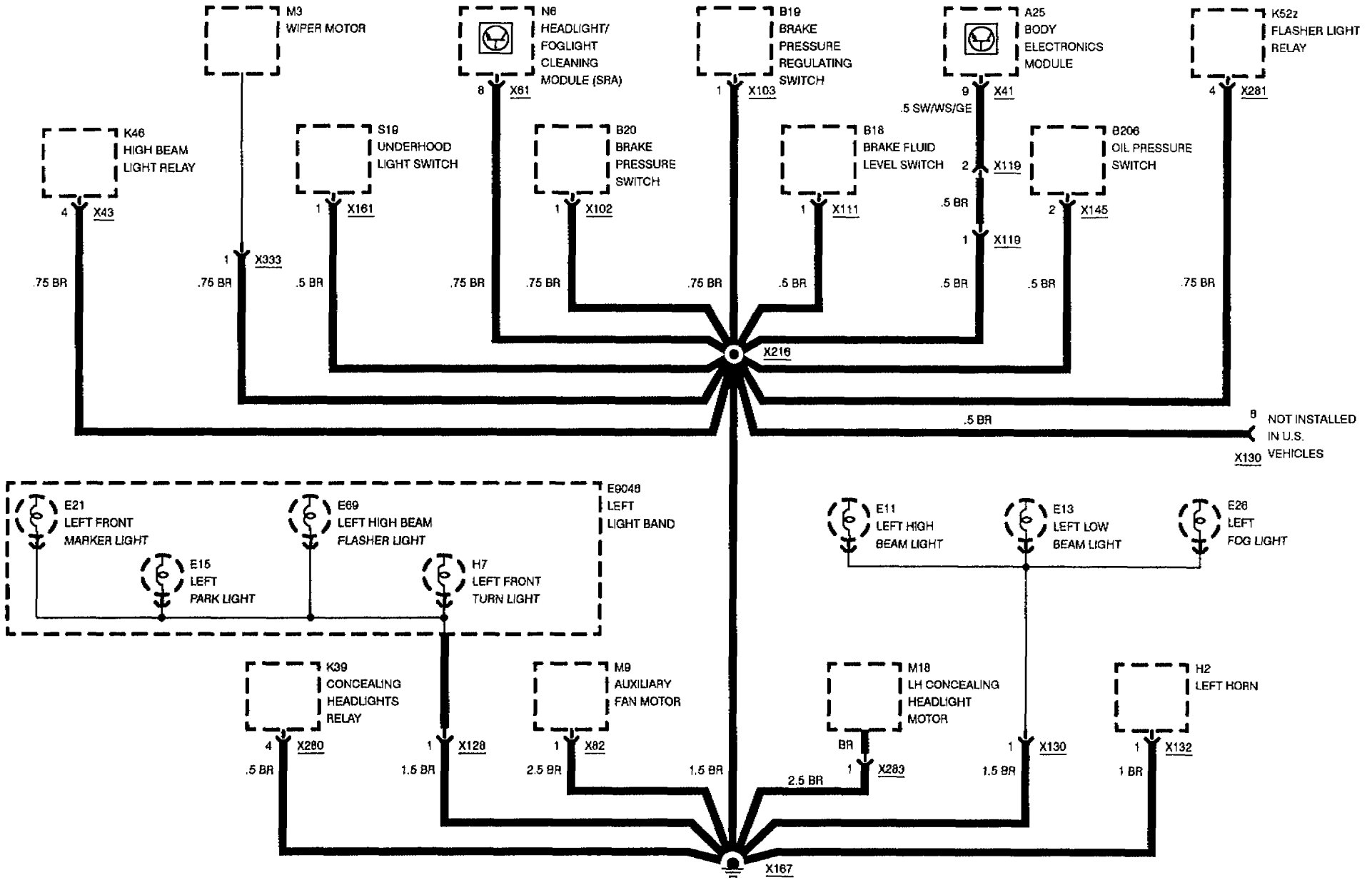
GROUND X165





GROUND DISTRIBUTION

GROUND X167

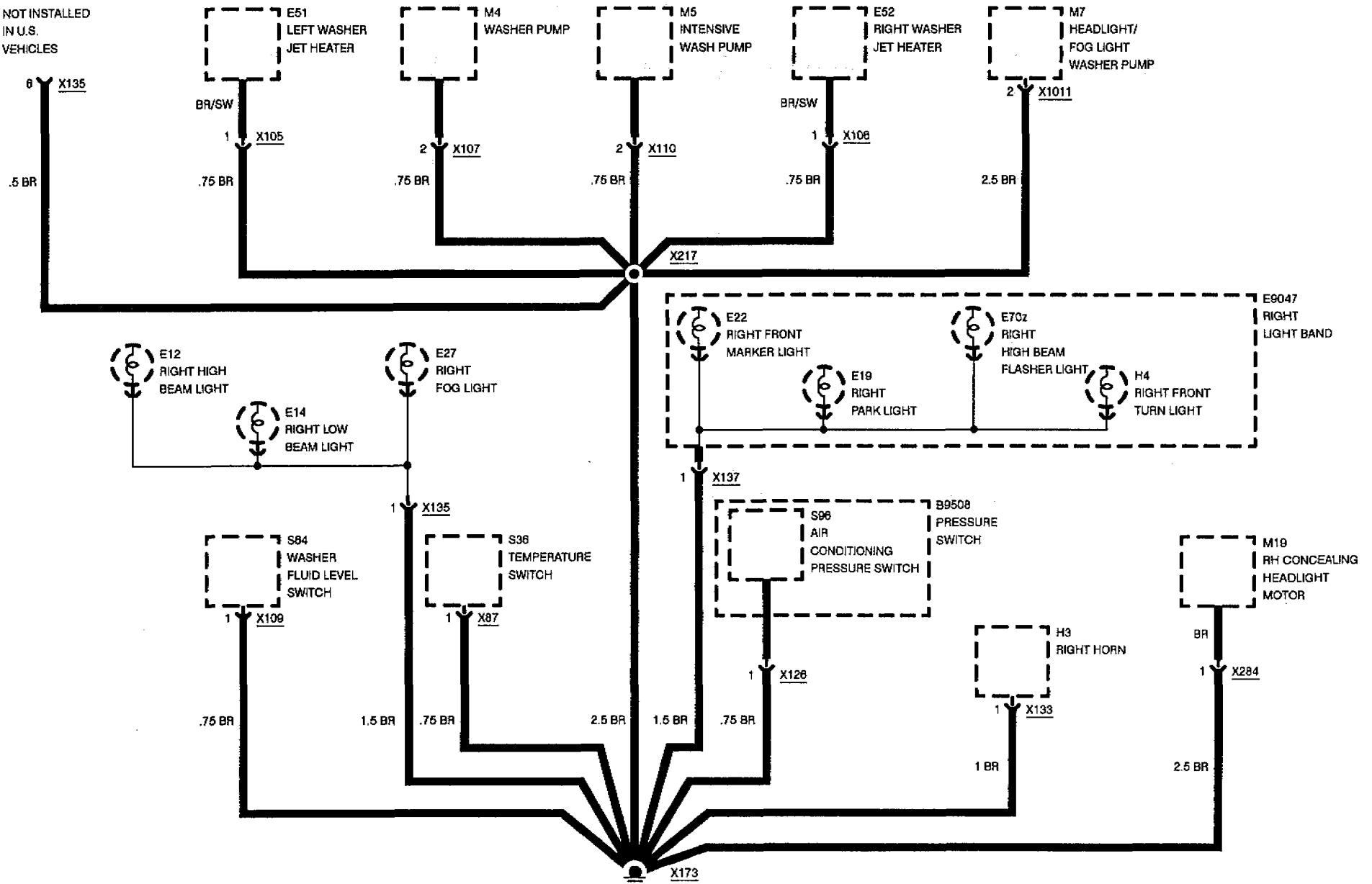




GROUND DISTRIBUTION

GROUND X173

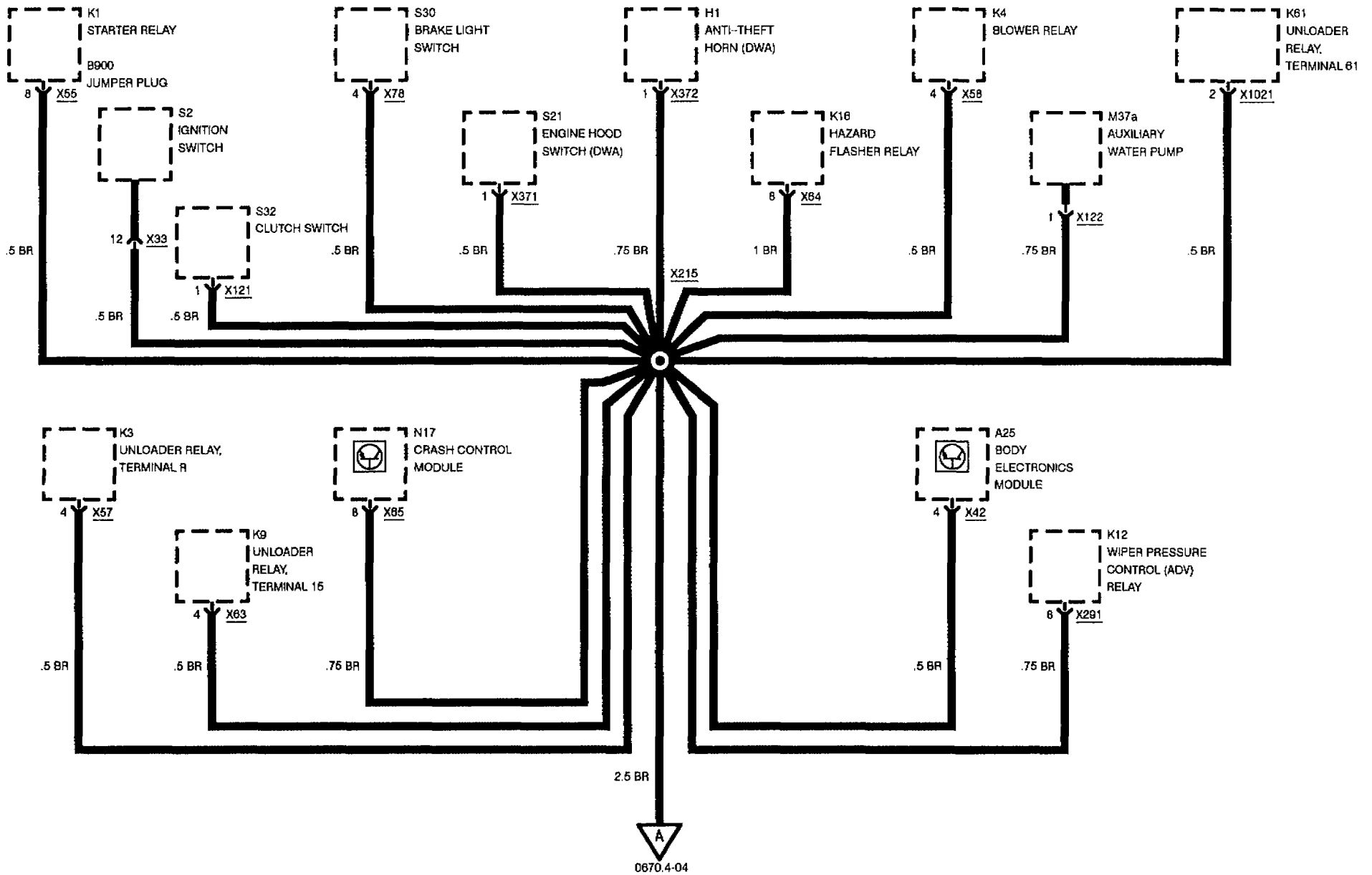
NOT INSTALLED
IN U.S.
VEHICLES





GROUND DISTRIBUTION

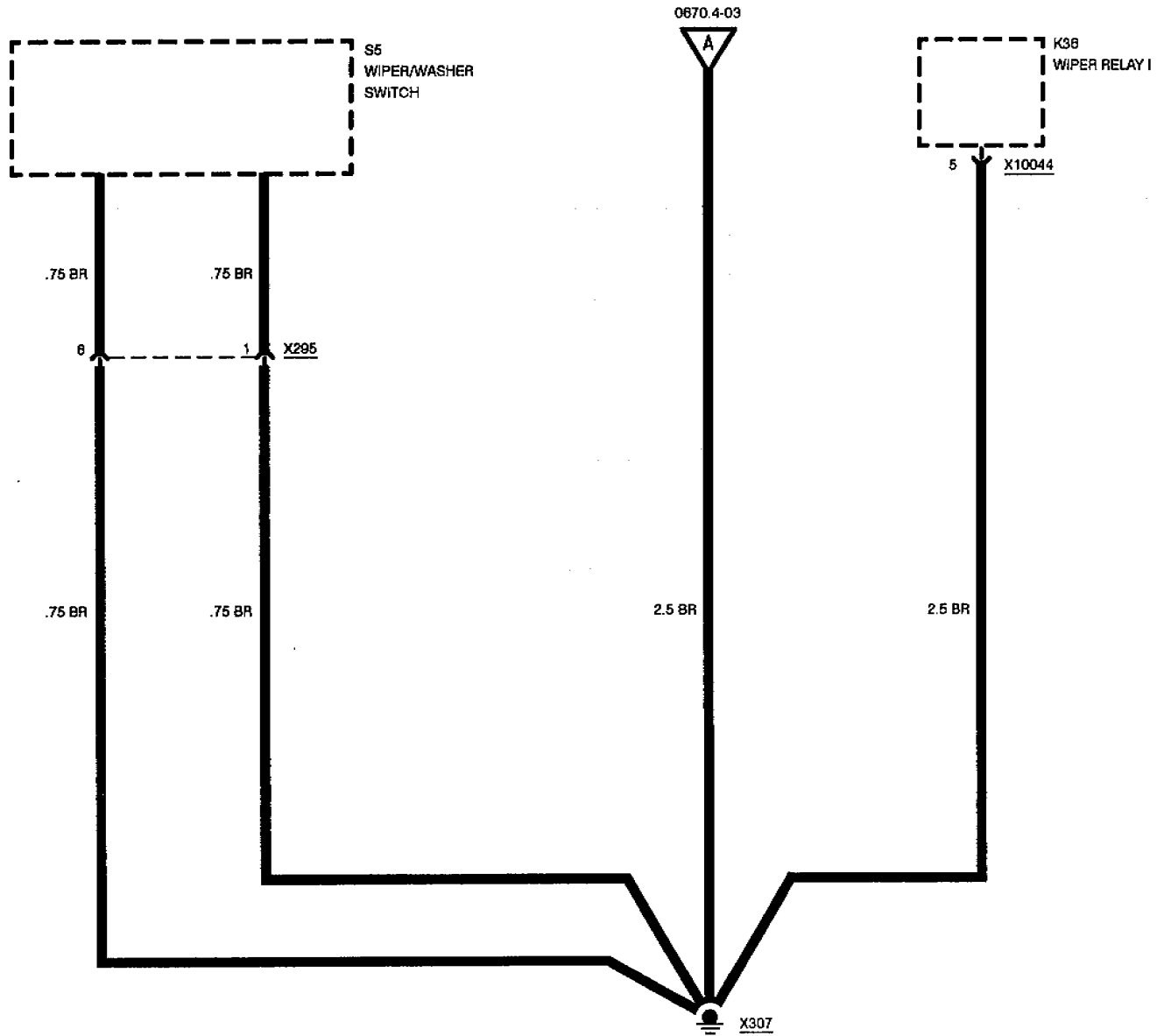
GROUND X307





GROUND DISTRIBUTION

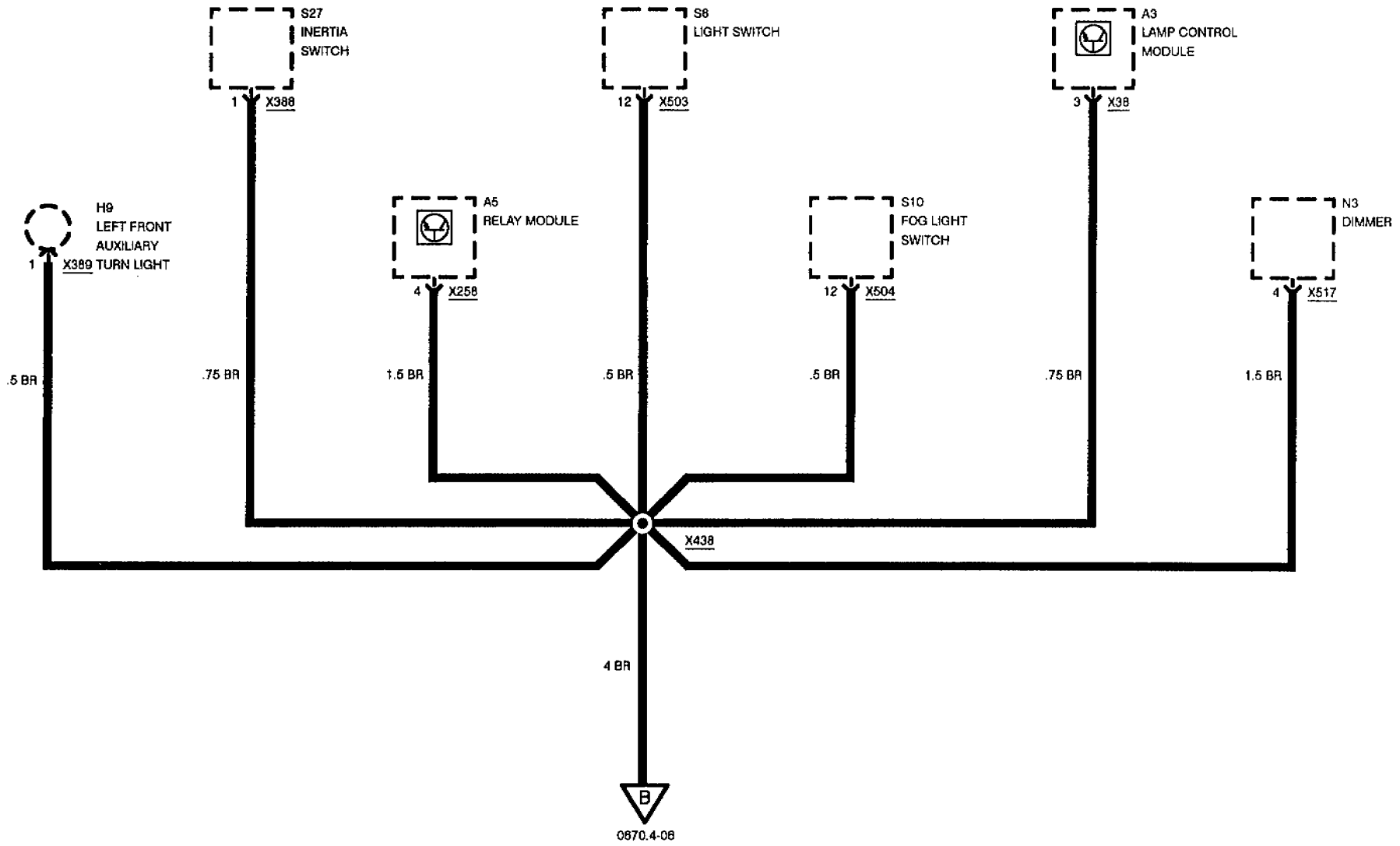
GROUND X307





GROUND DISTRIBUTION

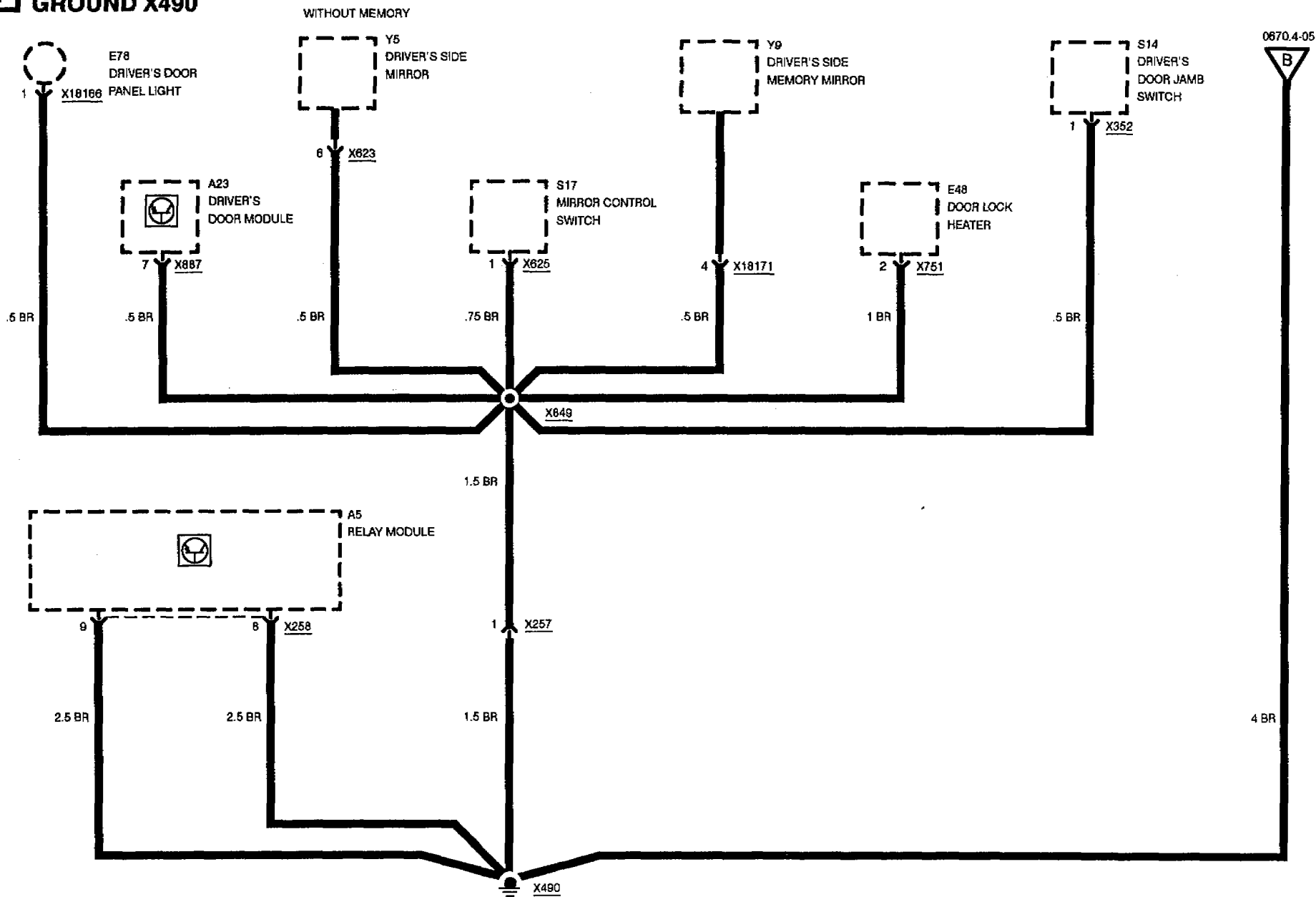
GROUND X490





GROUND DISTRIBUTION

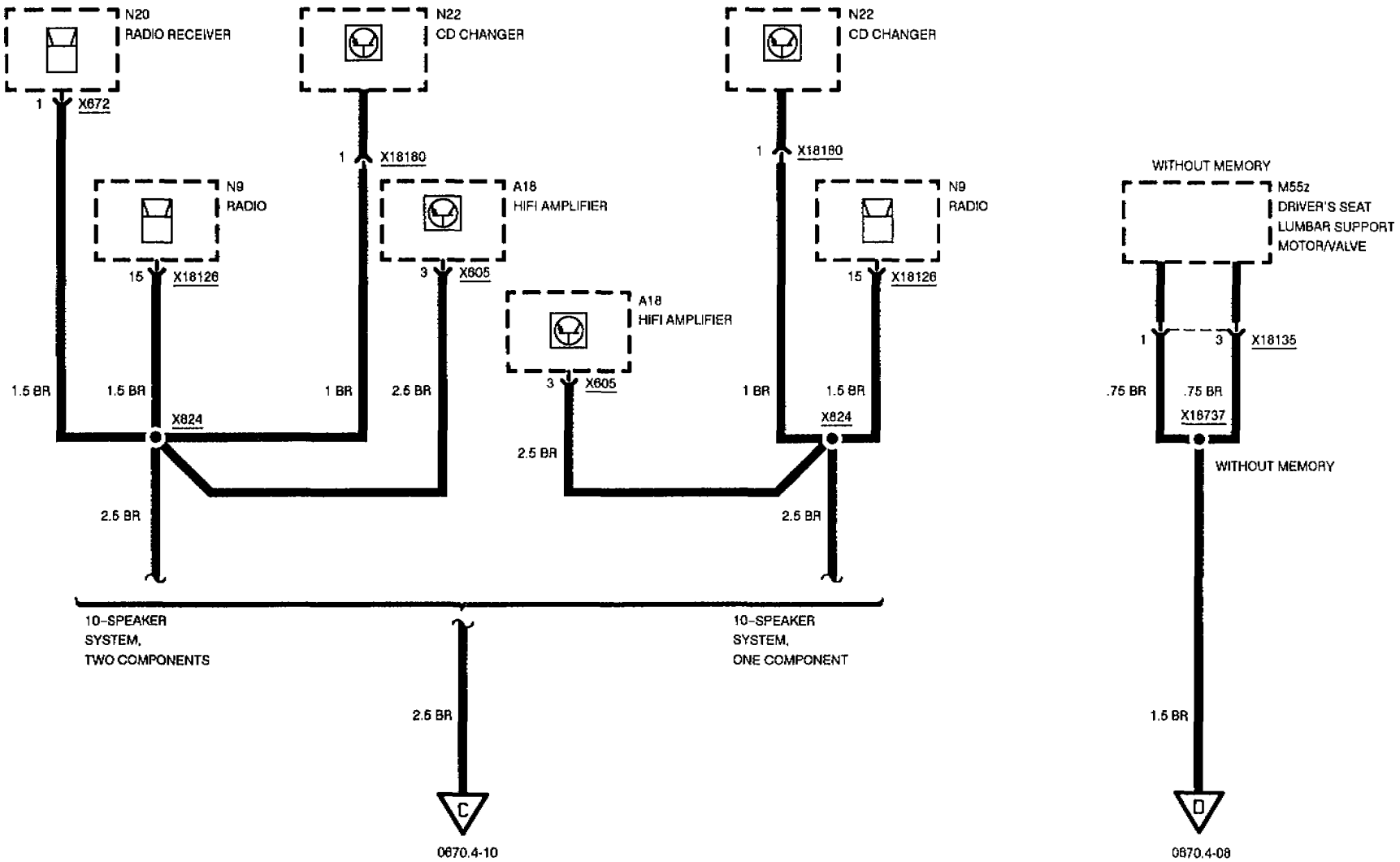
GROUND X490





GROUND DISTRIBUTION

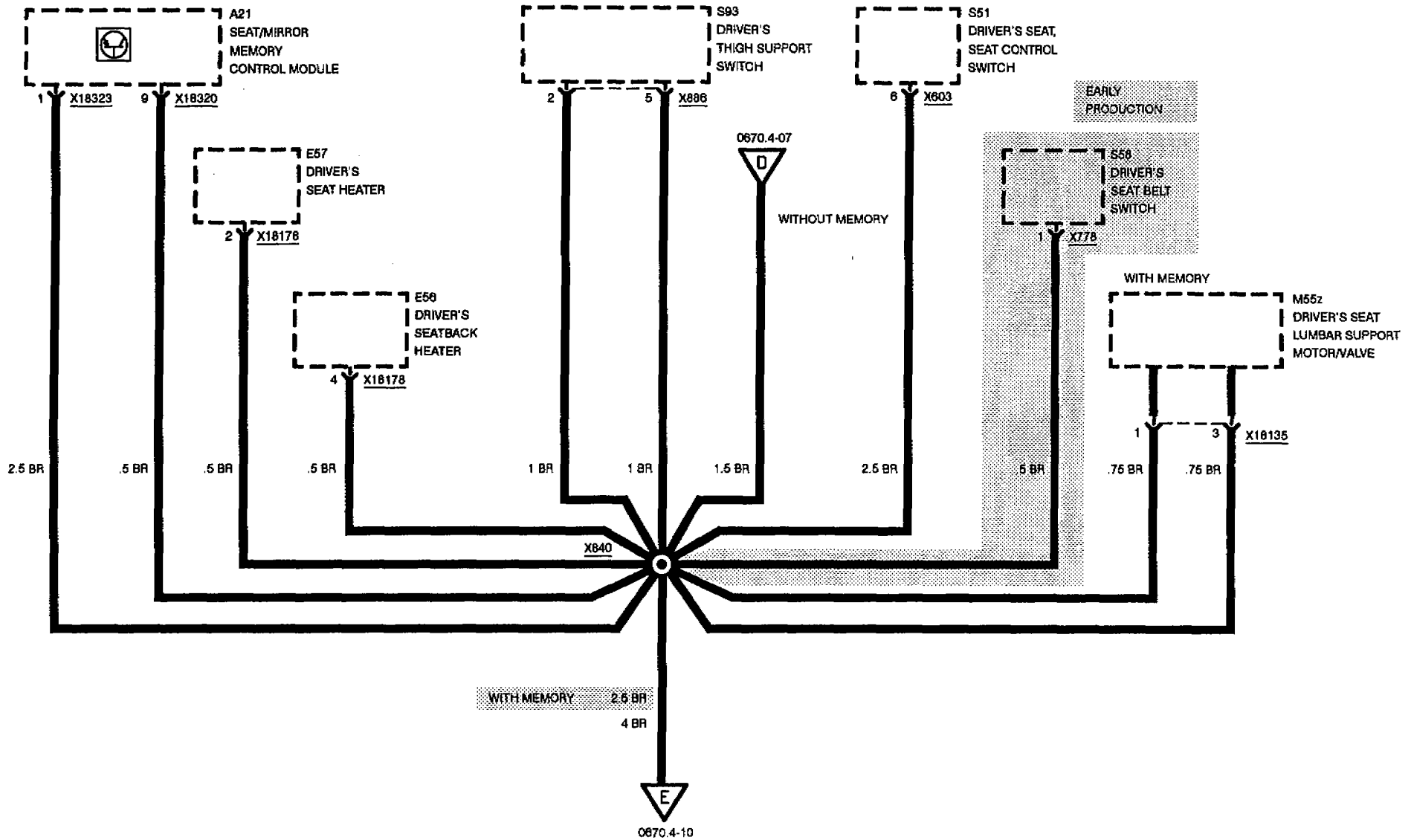
GROUND X492





GROUND DISTRIBUTION

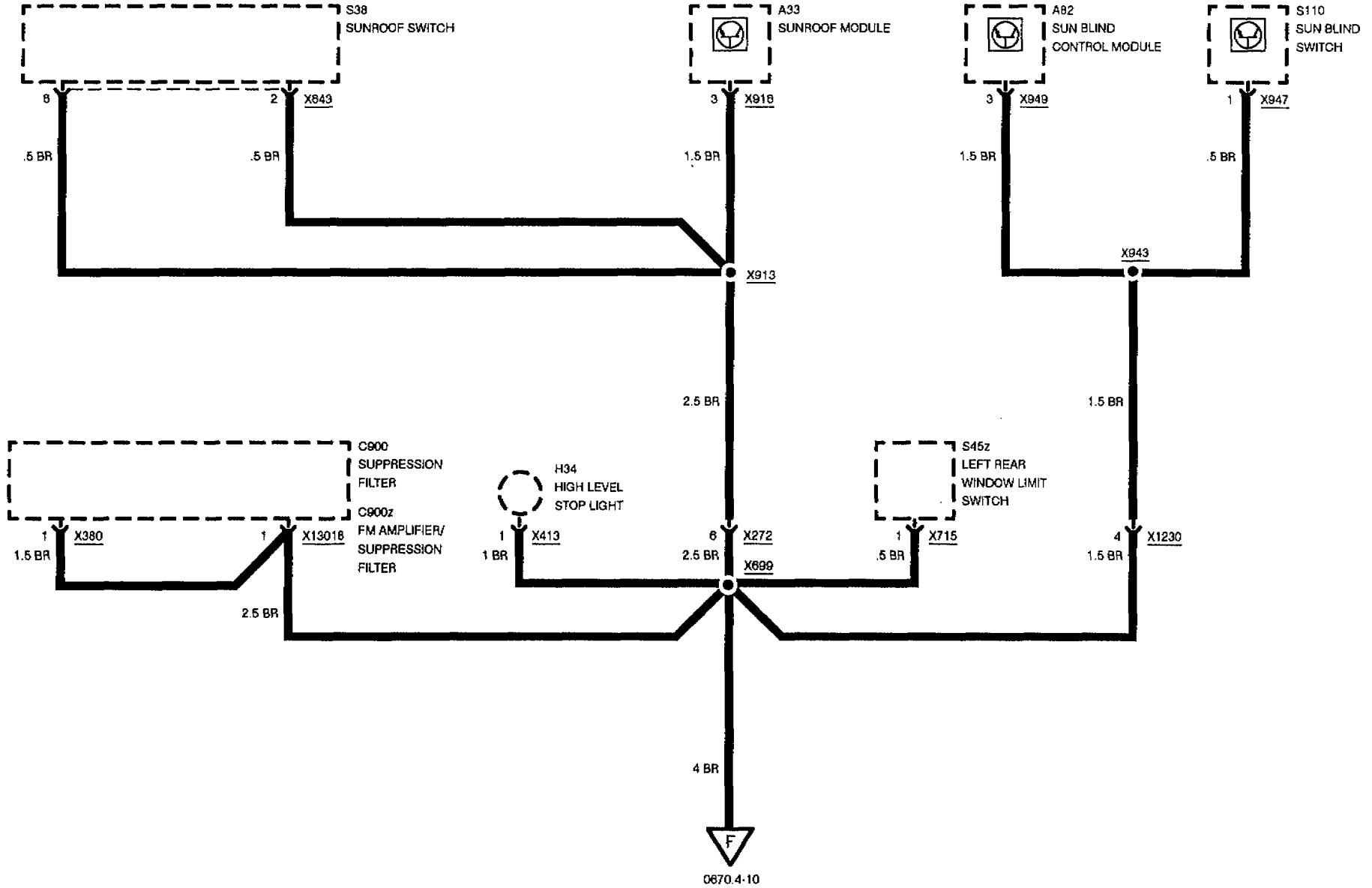
GROUND X492





GROUND DISTRIBUTION

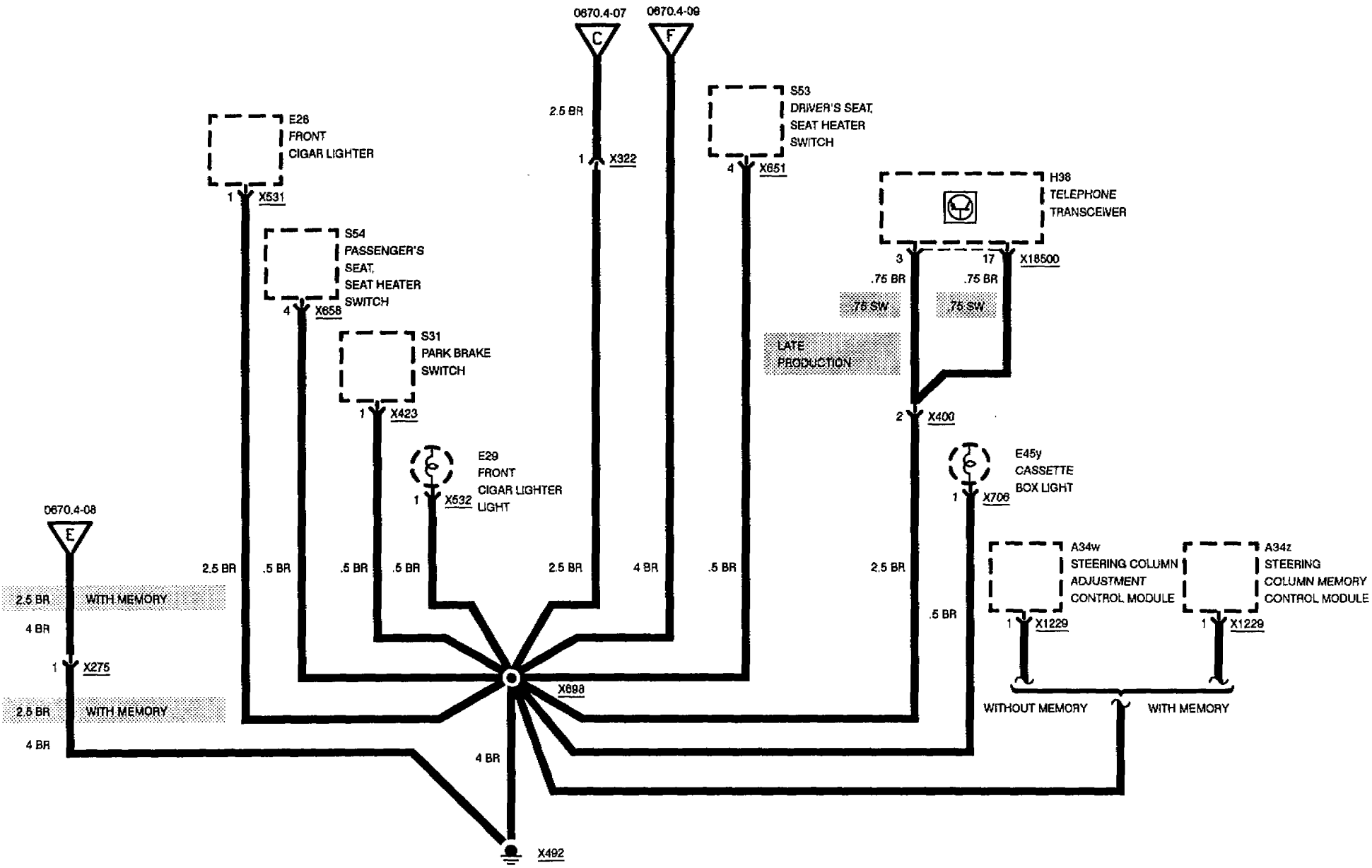
GROUND X492





GROUND DISTRIBUTION

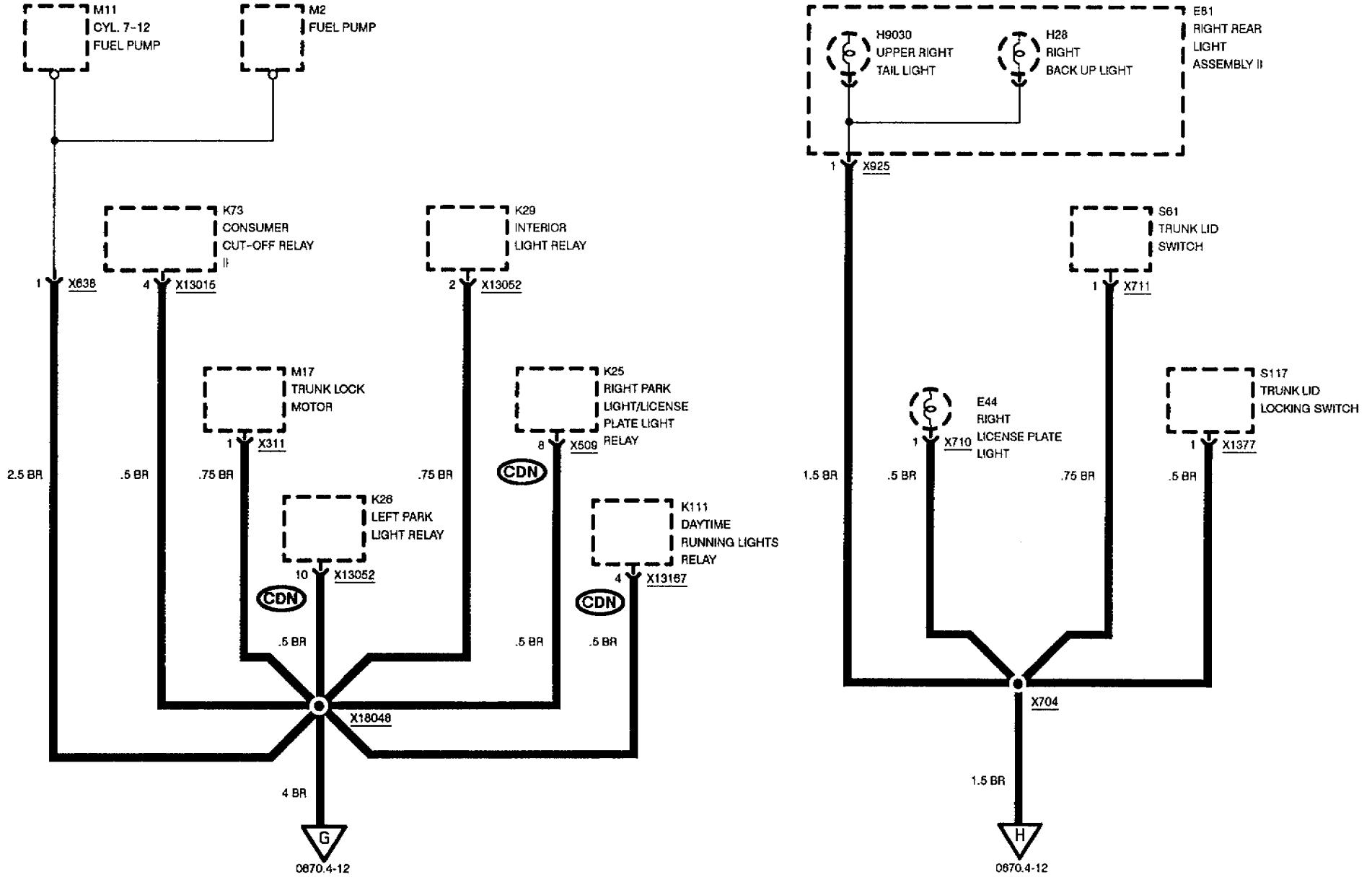
GROUND X492





GROUND DISTRIBUTION

GROUND X494



0870.4-12

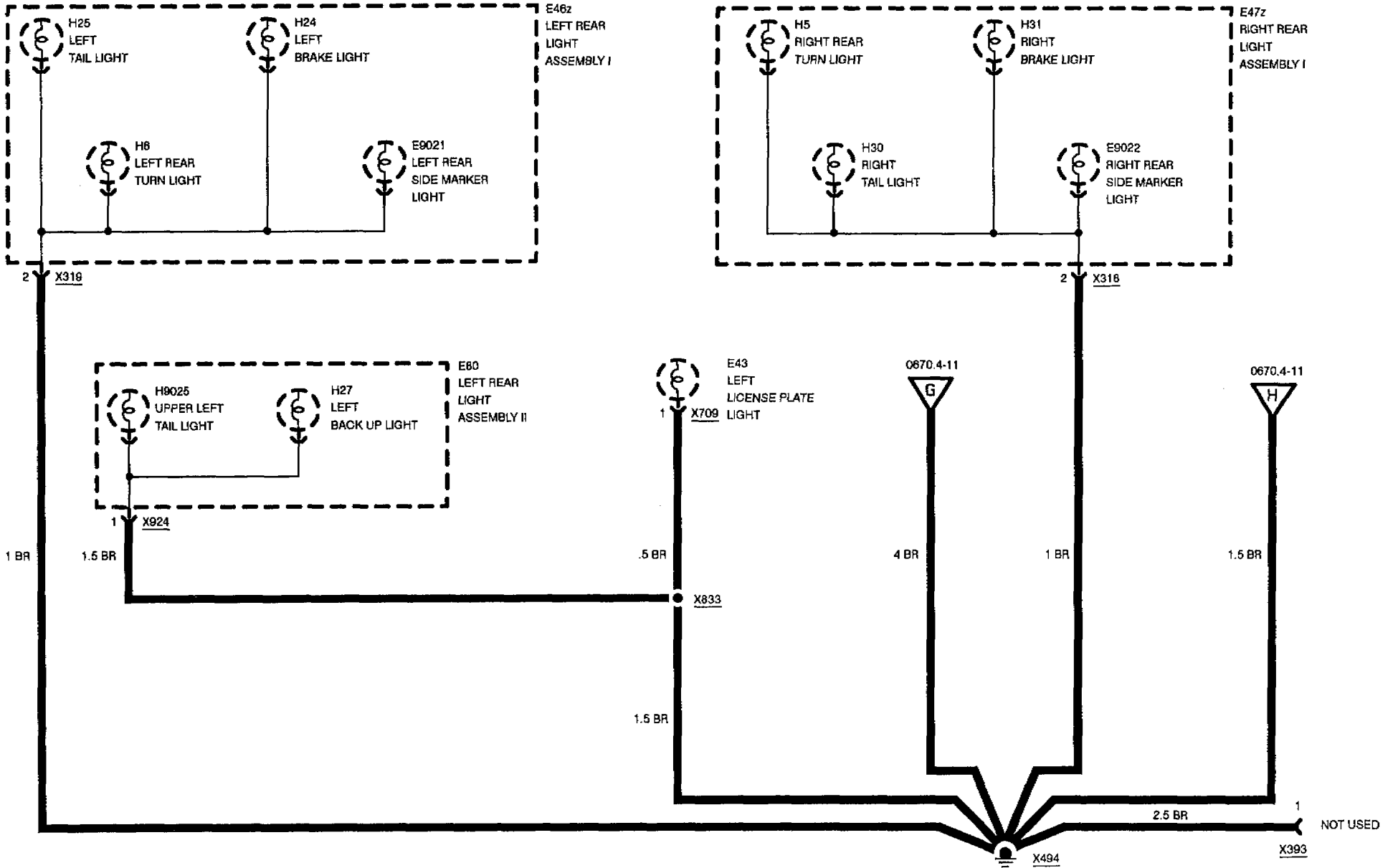
0670.4-11

09/92 ————— 0670.4-11 ————— 1993



GROUND DISTRIBUTION

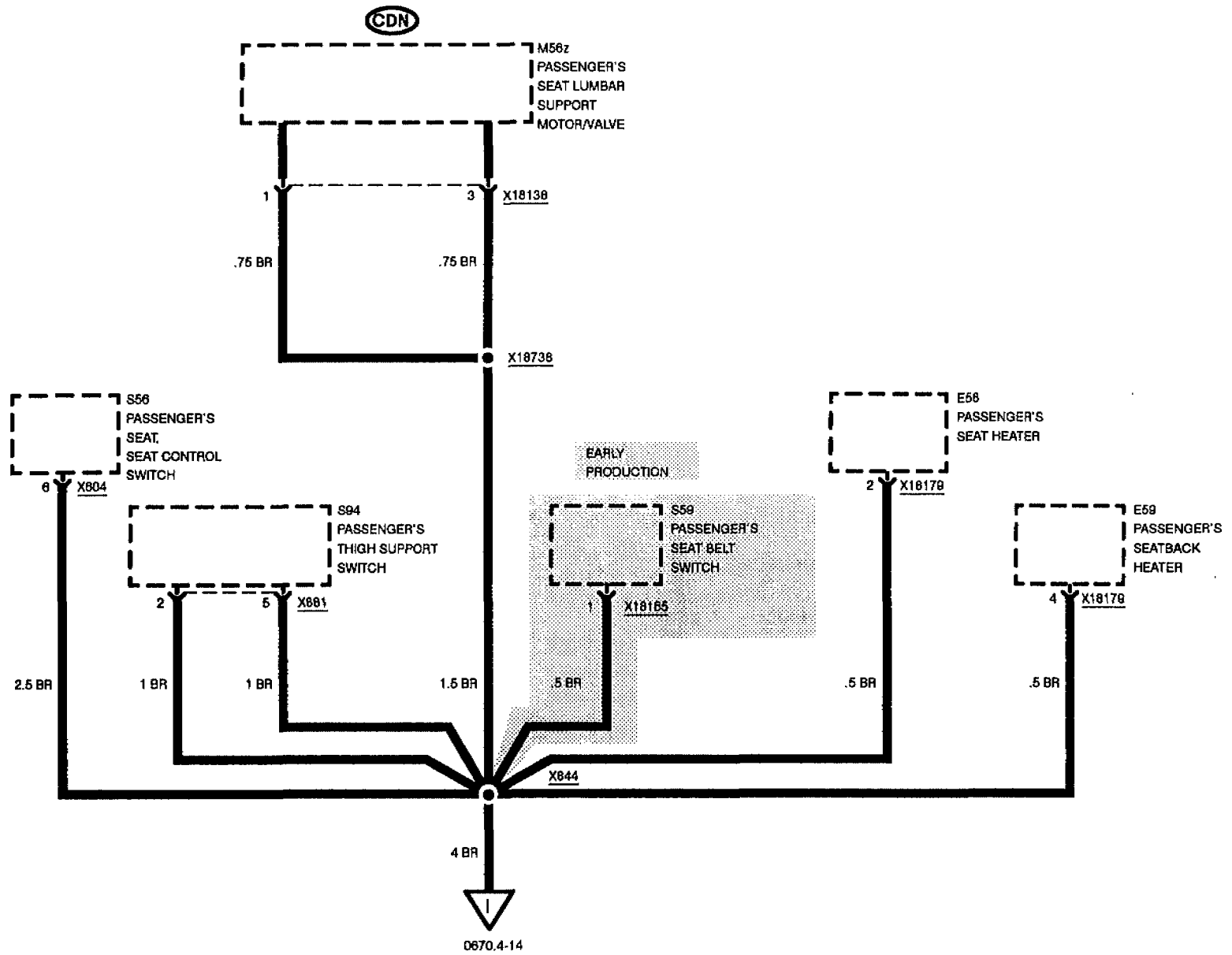
GROUND X494





GROUND DISTRIBUTION

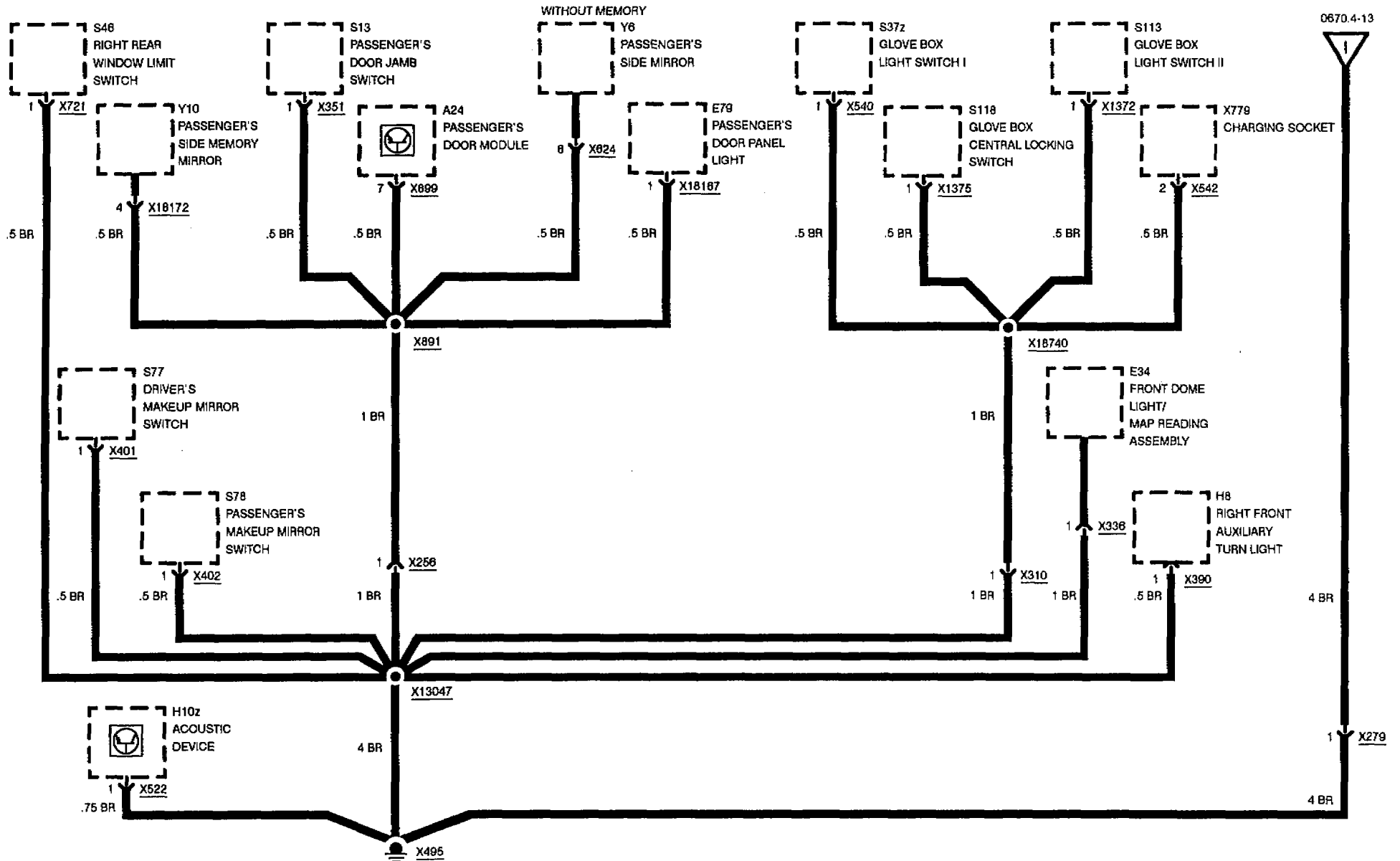
GROUND X495





GROUND DISTRIBUTION

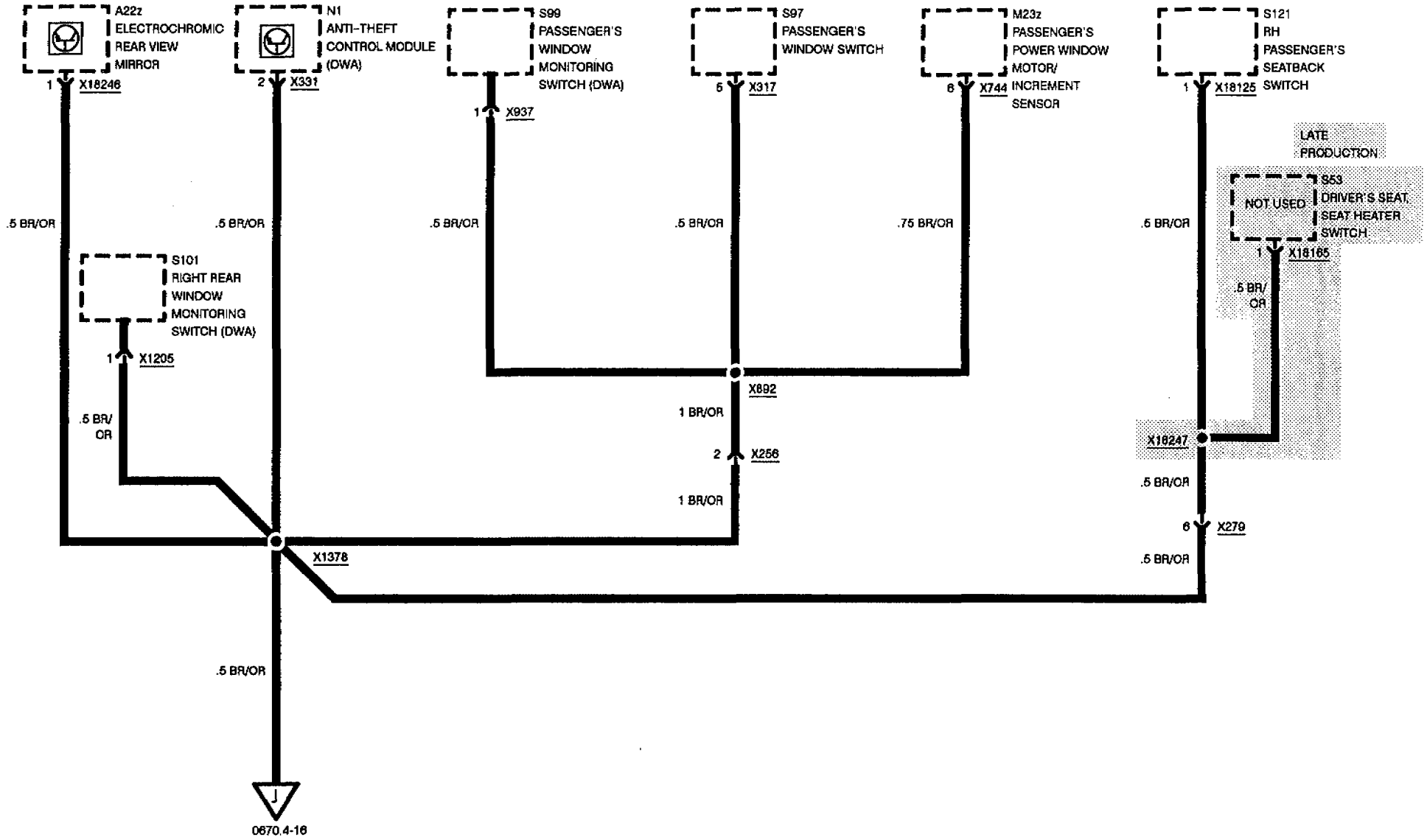
GROUND X495





GROUND DISTRIBUTION

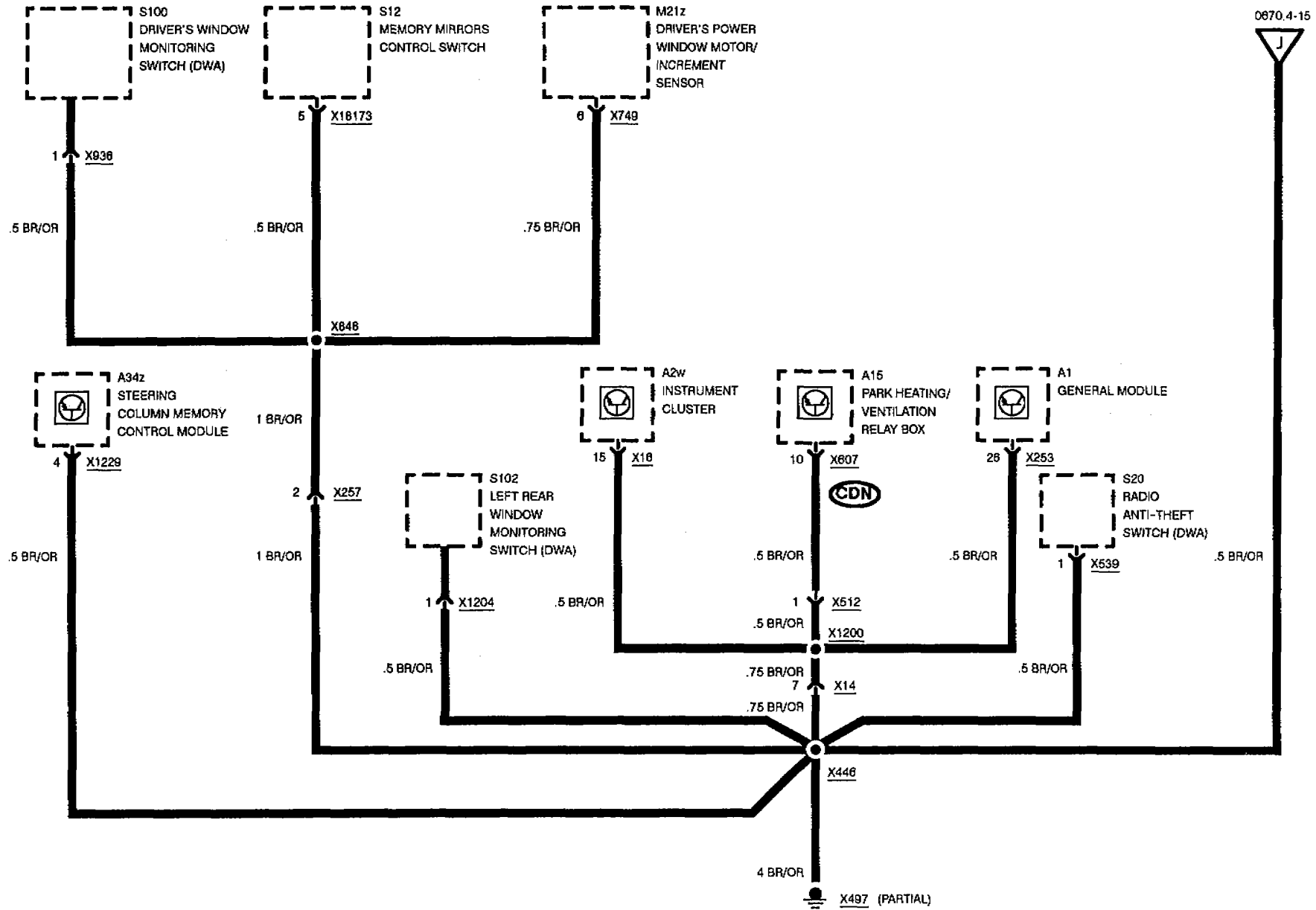
GROUND X497





GROUND DISTRIBUTION

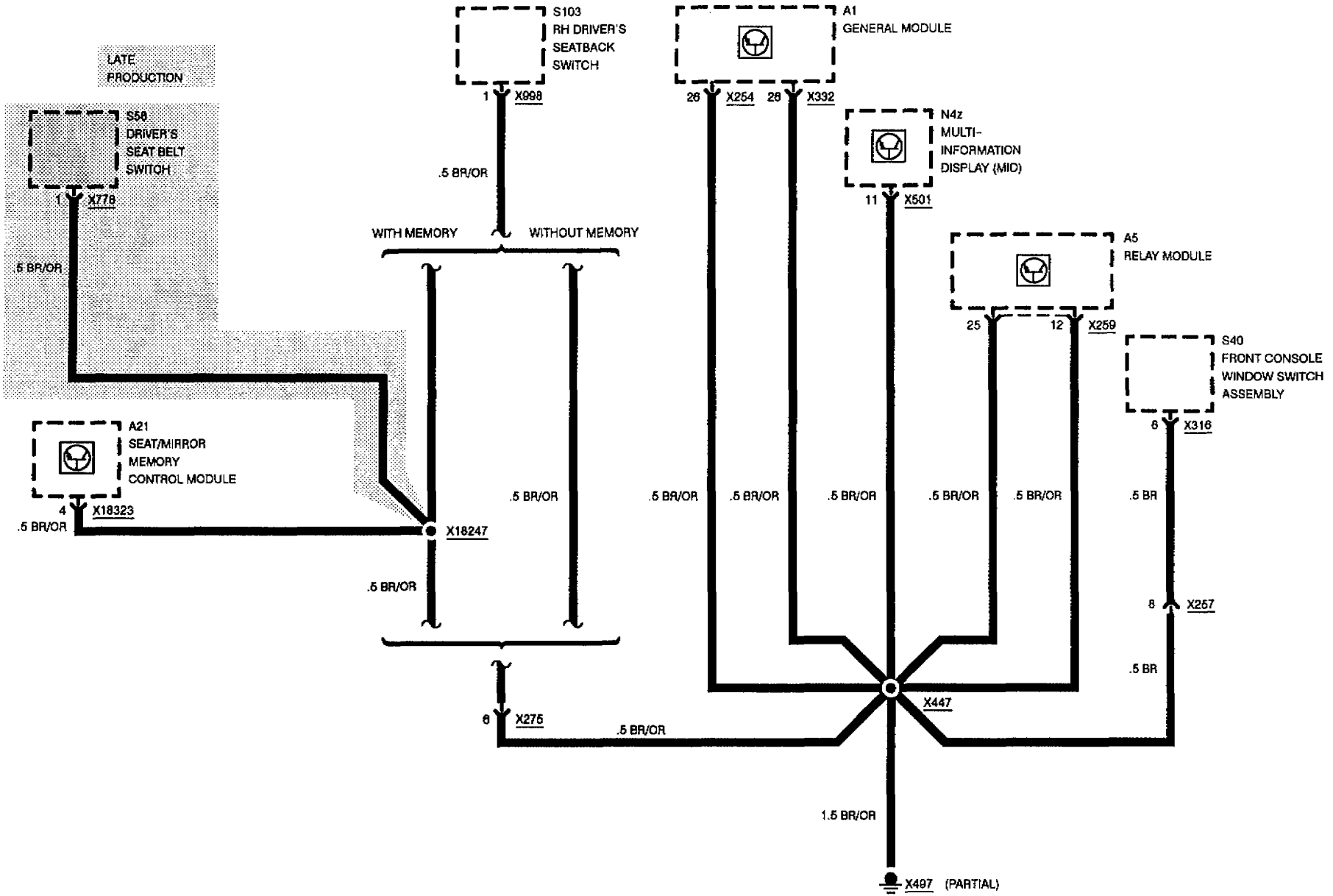
GROUND X497





GROUND DISTRIBUTION

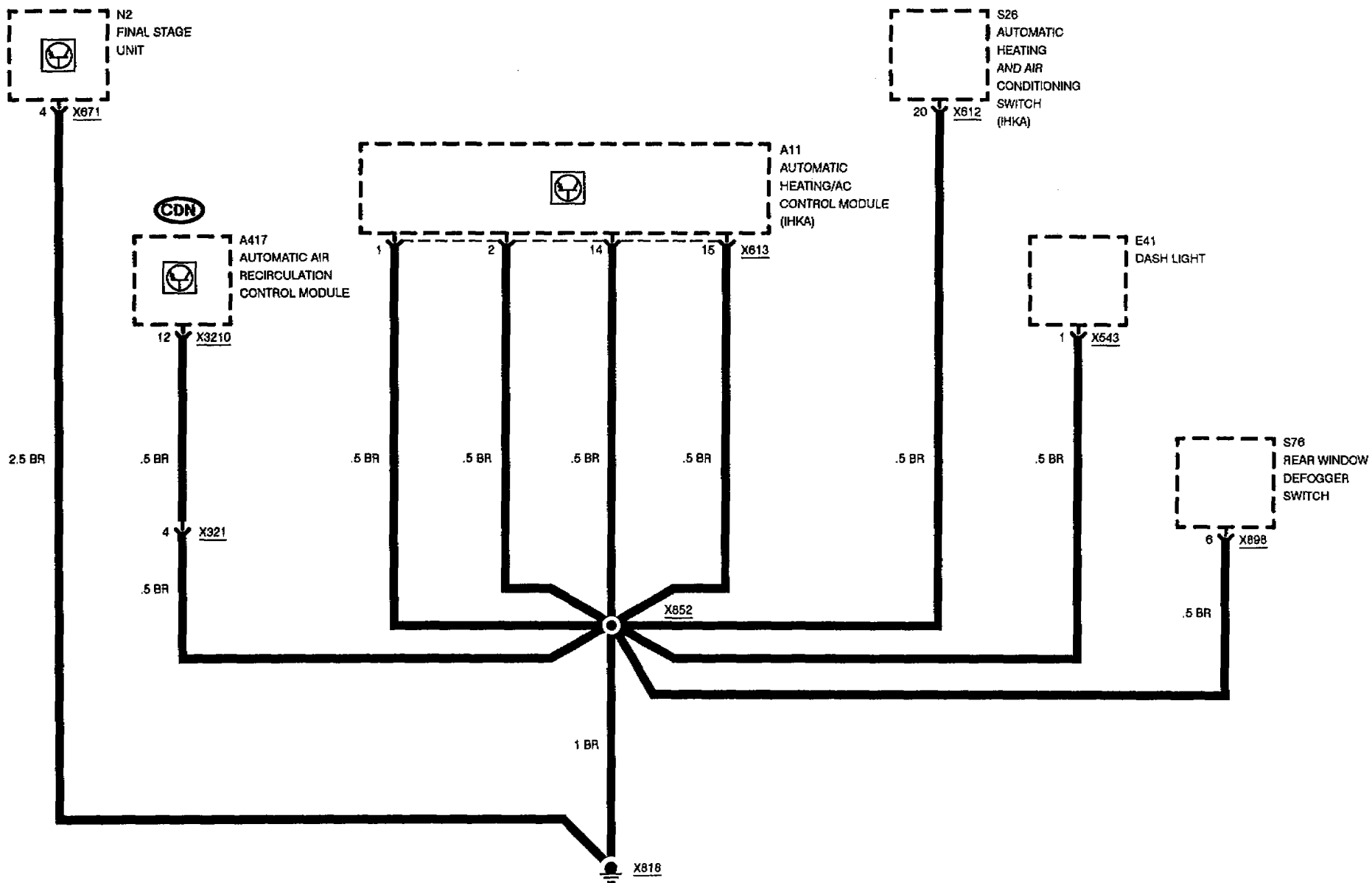
GROUND X497





GROUND DISTRIBUTION

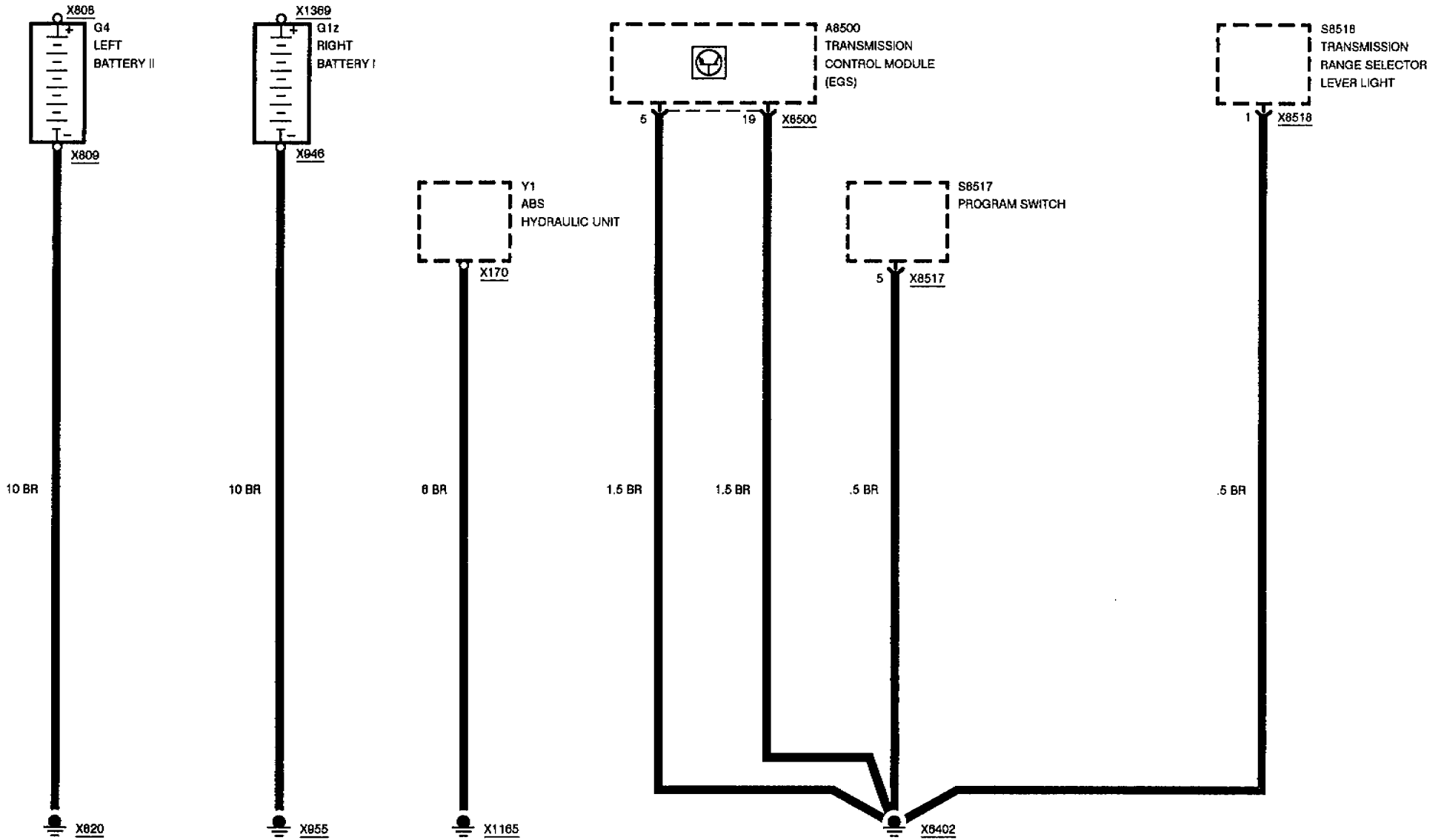
GROUND X818





GROUND DISTRIBUTION

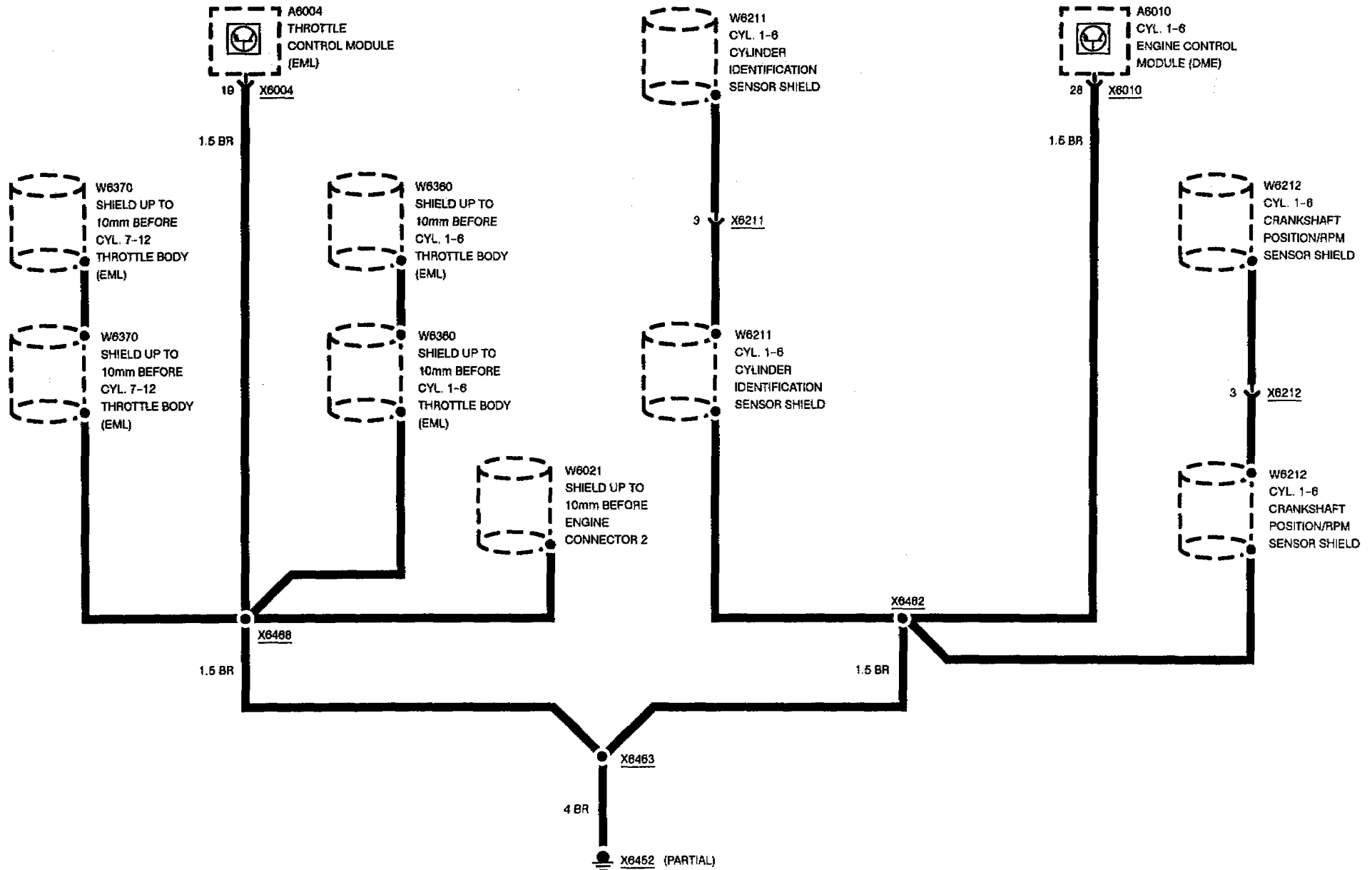
GROUNDS X820, X955, X1165, AND X6402





GROUND DISTRIBUTION

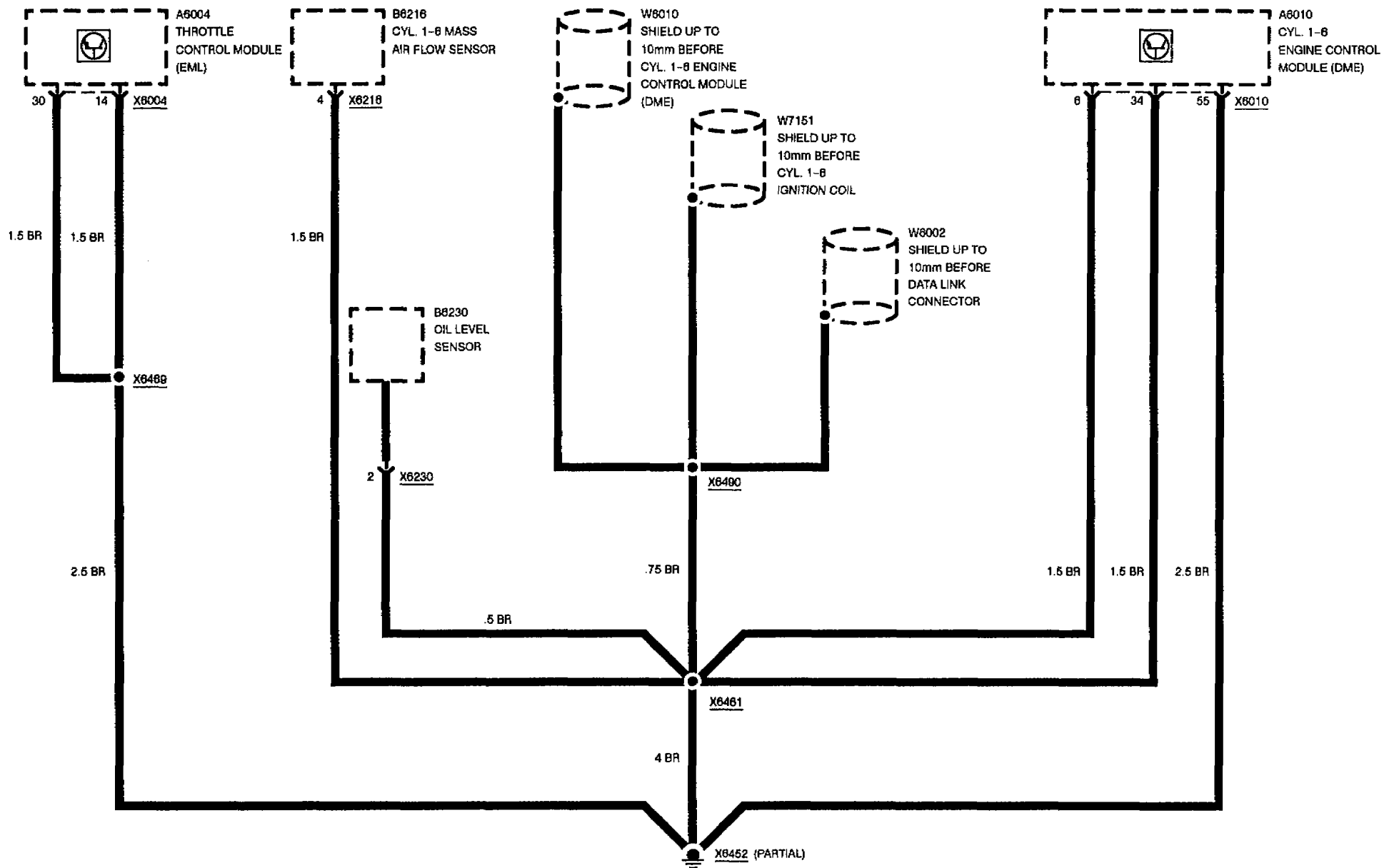
GROUND X6452





GROUND DISTRIBUTION

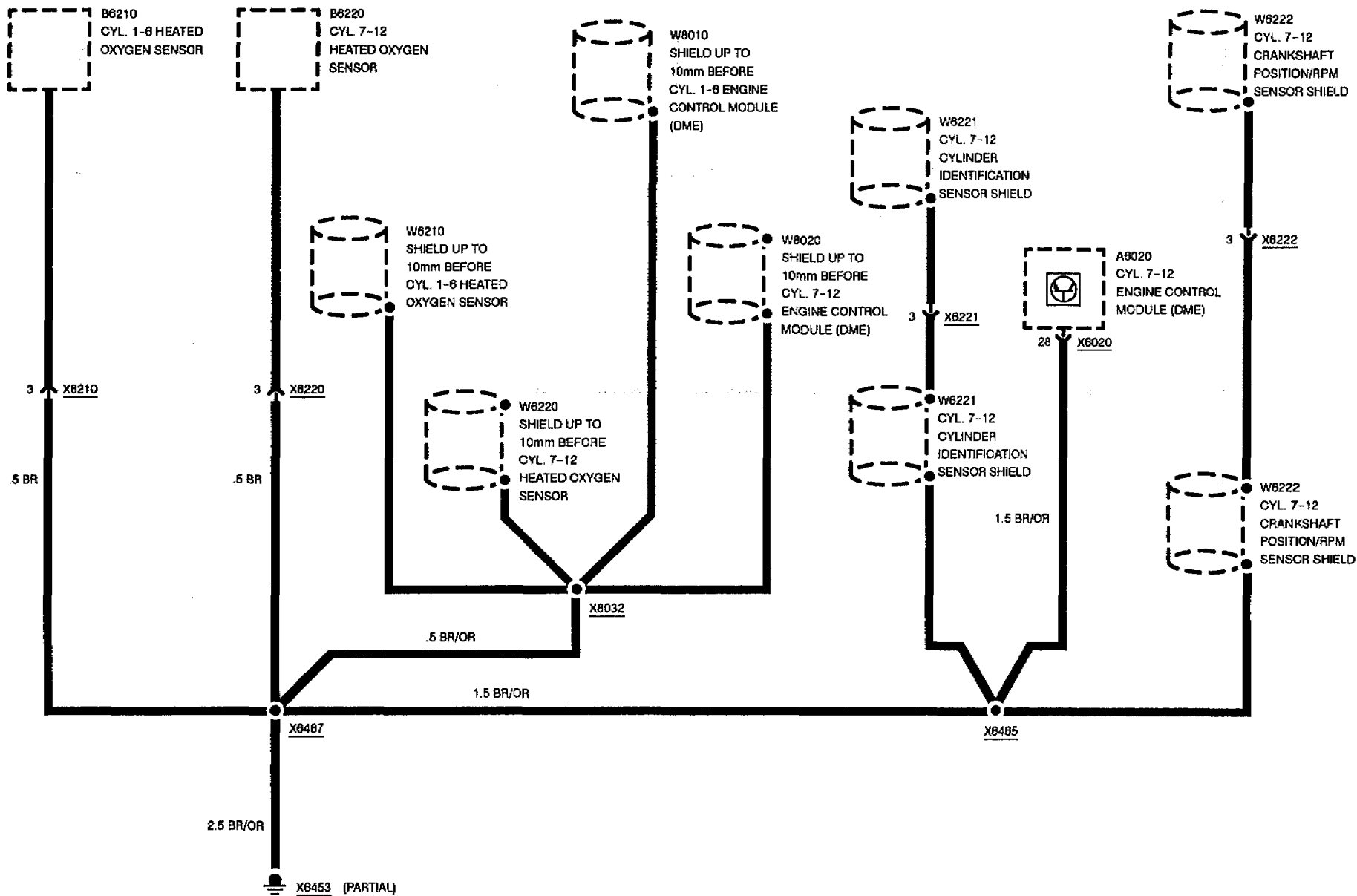
GROUND X6452





GROUND DISTRIBUTION

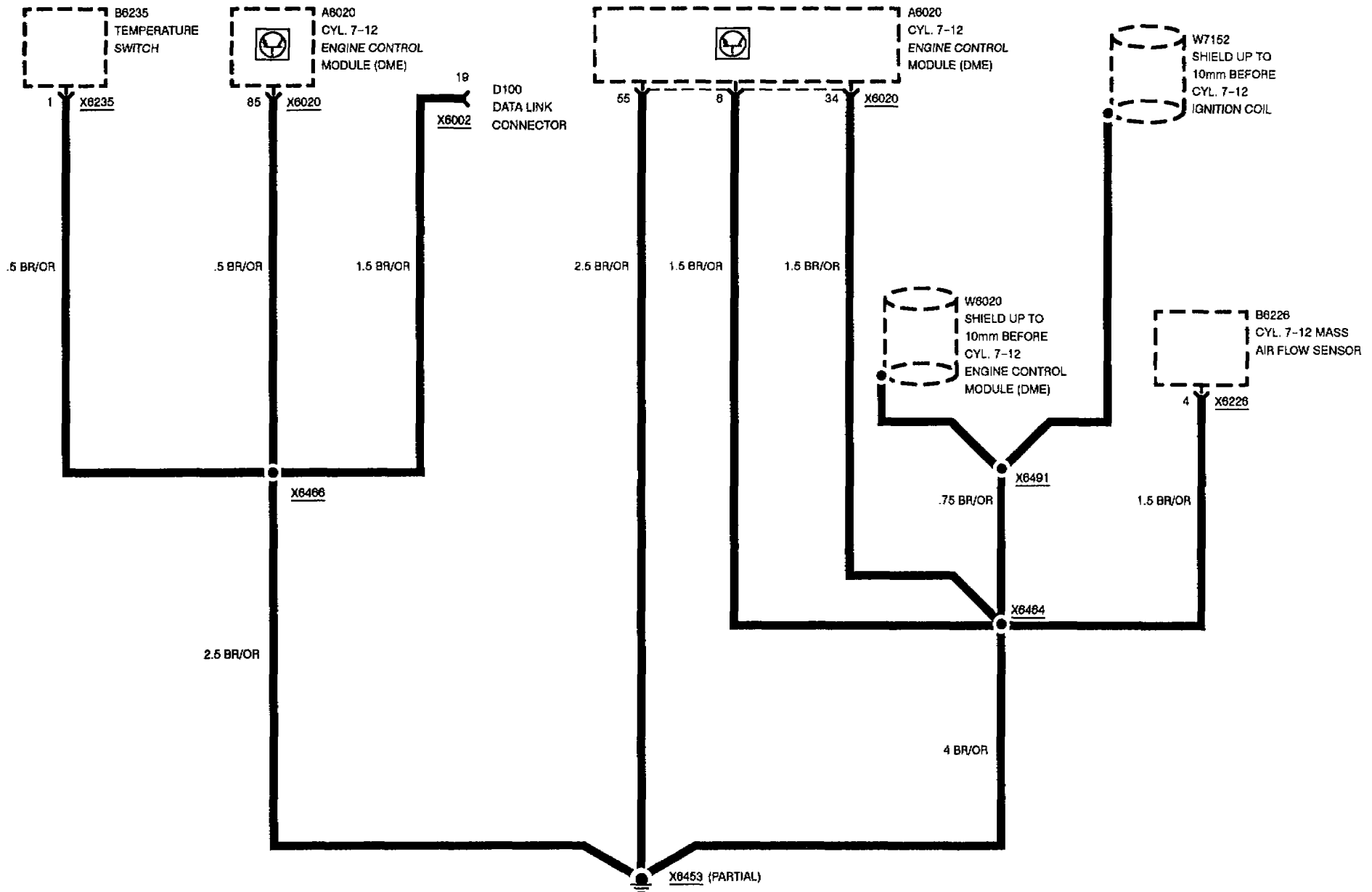
GROUND X6453





GROUND DISTRIBUTION

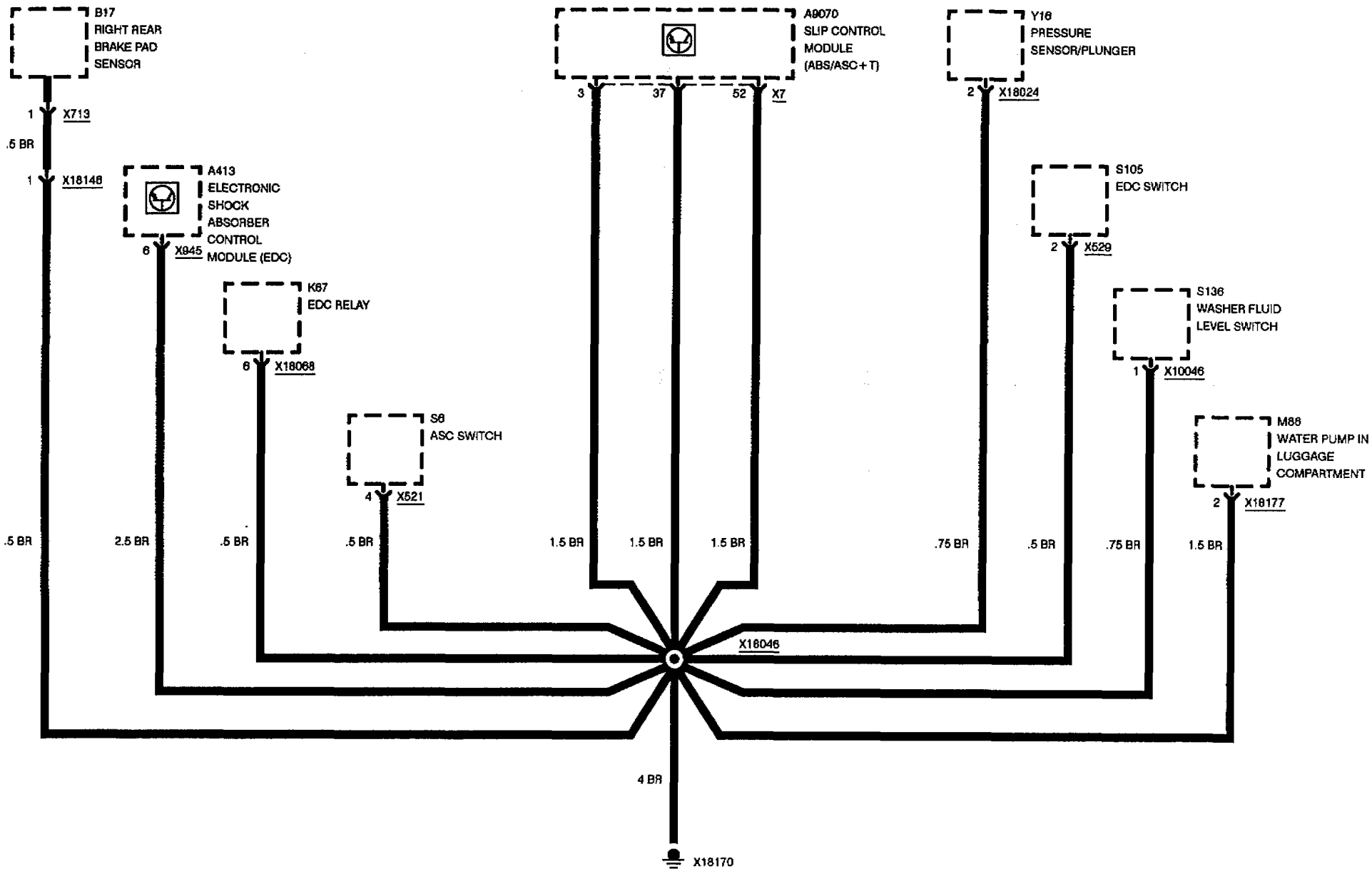
GROUND X6453





GROUND DISTRIBUTION

GROUND X18170

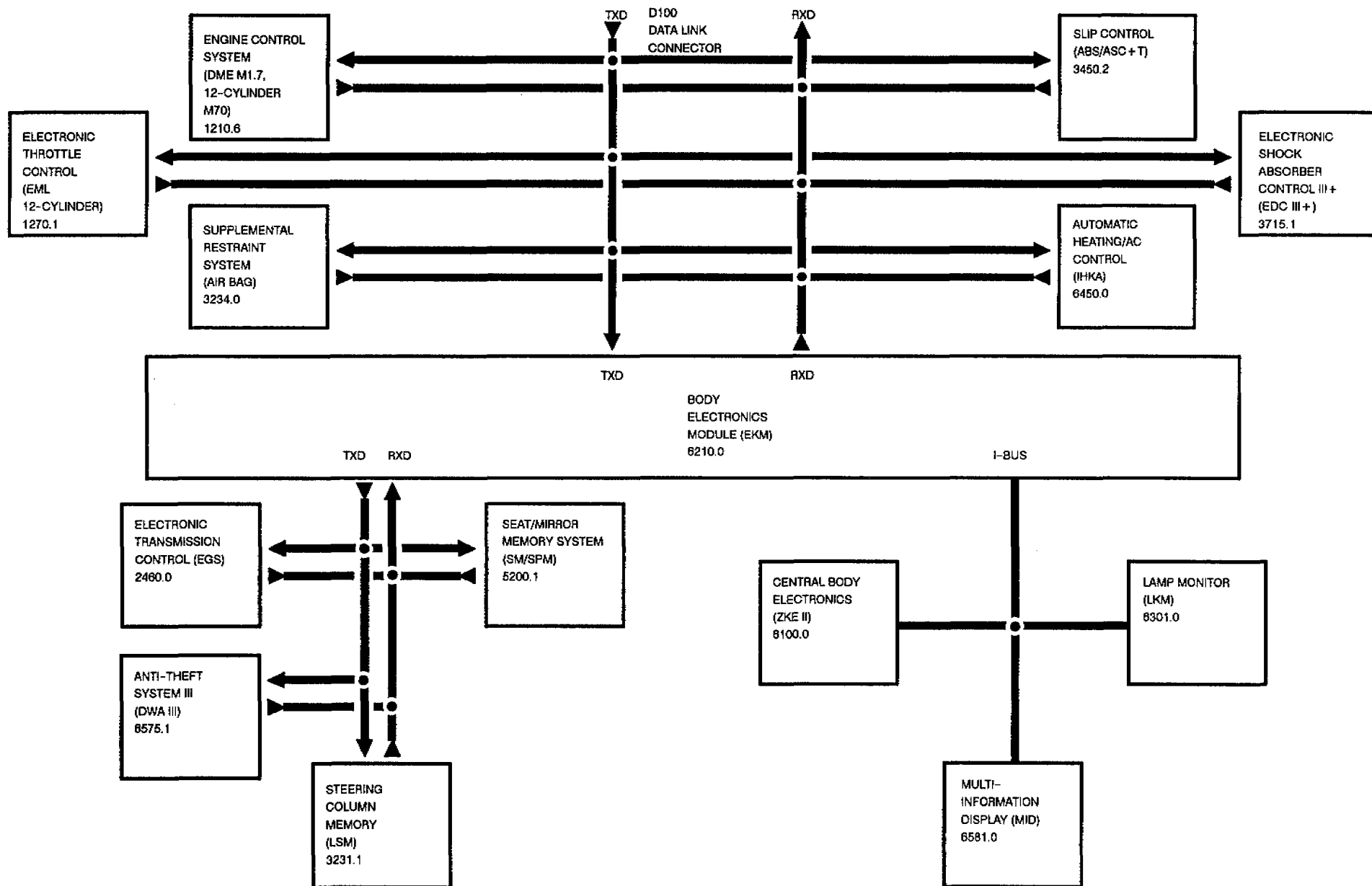


BMW
8

0670.5



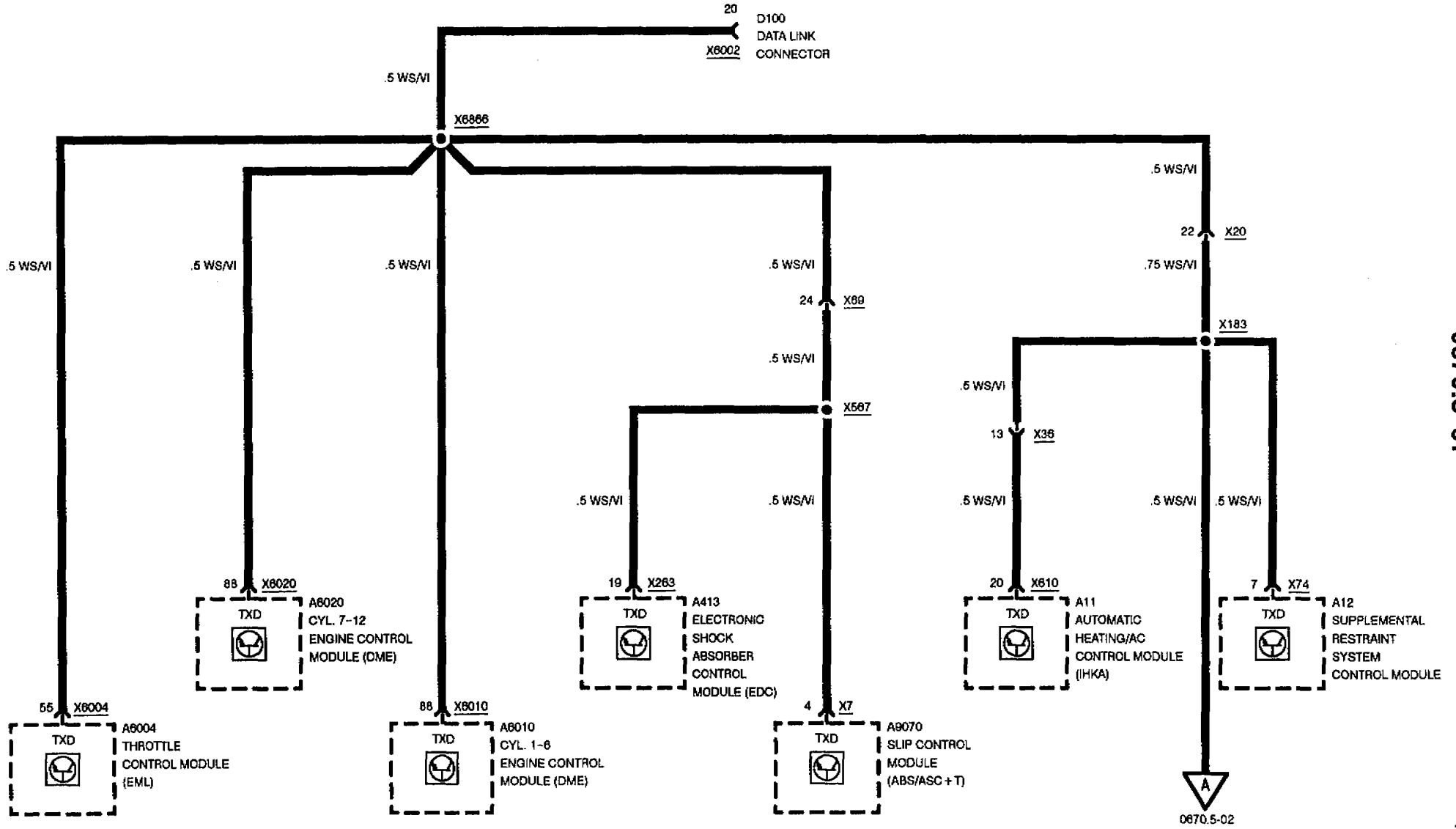
DATA LINK BLOCK DIAGRAM





DATA LINK

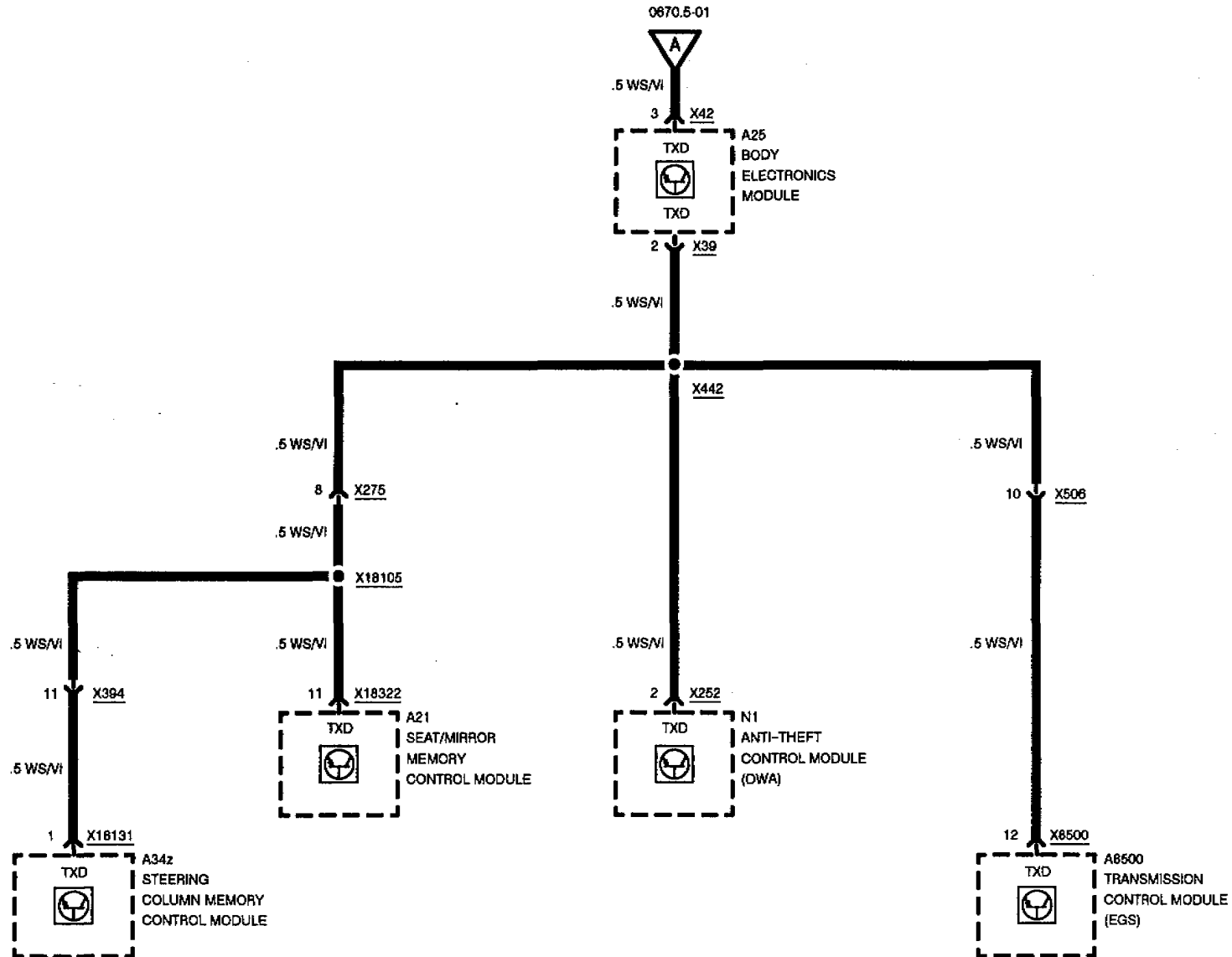
TXD, PIN 20





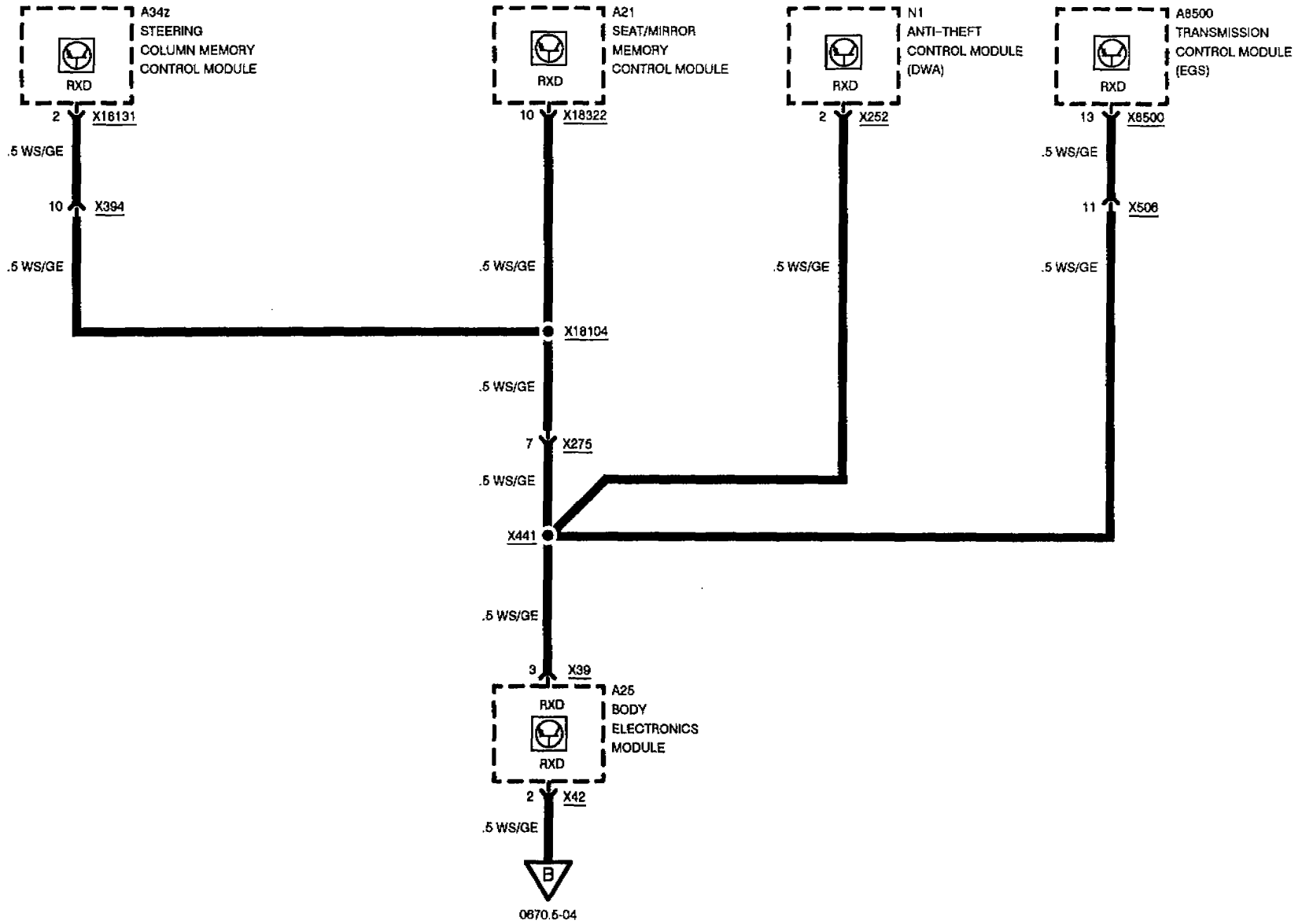
DATA LINK

TXD





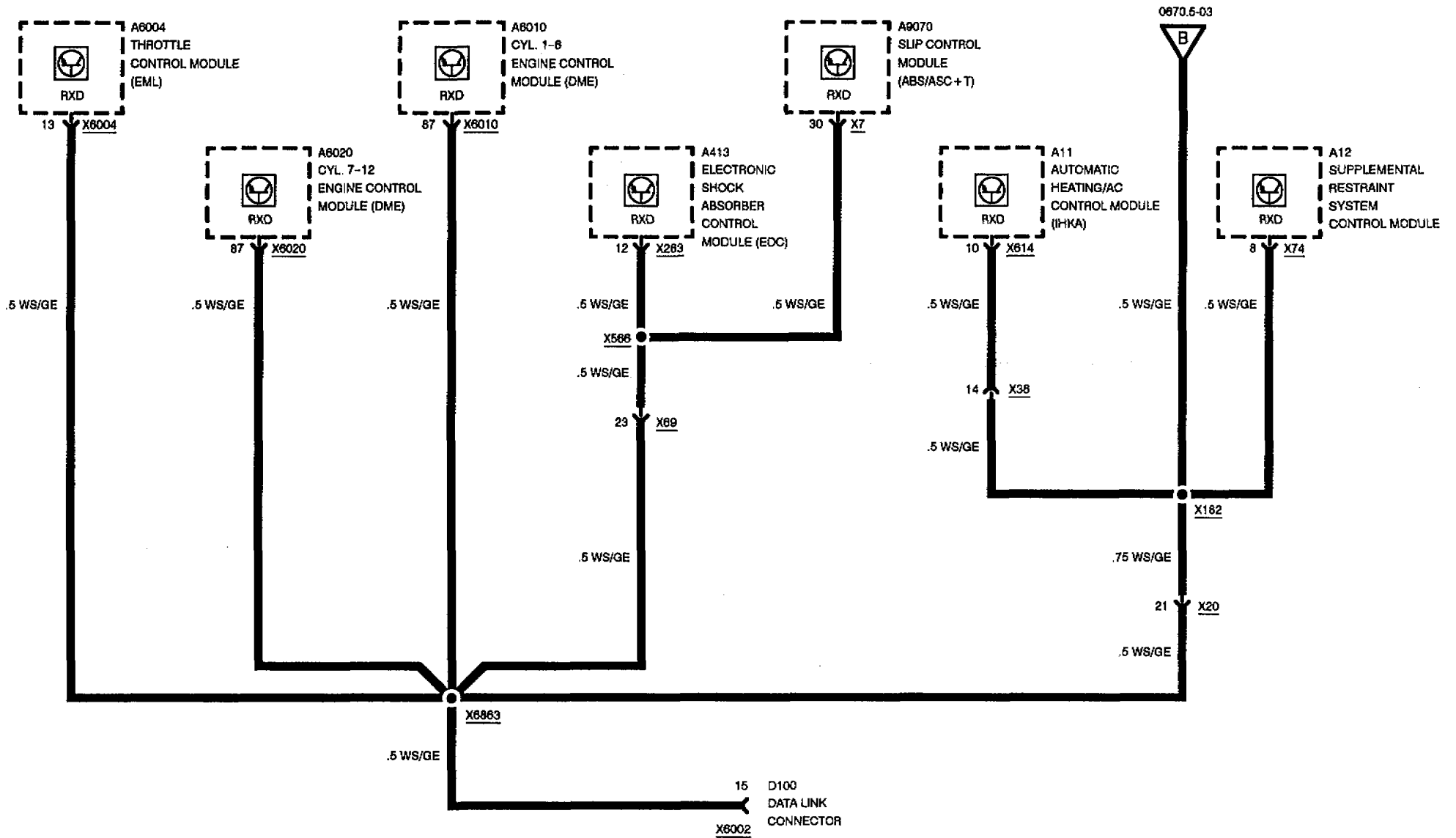
DATA LINK RXD





DATA LINK

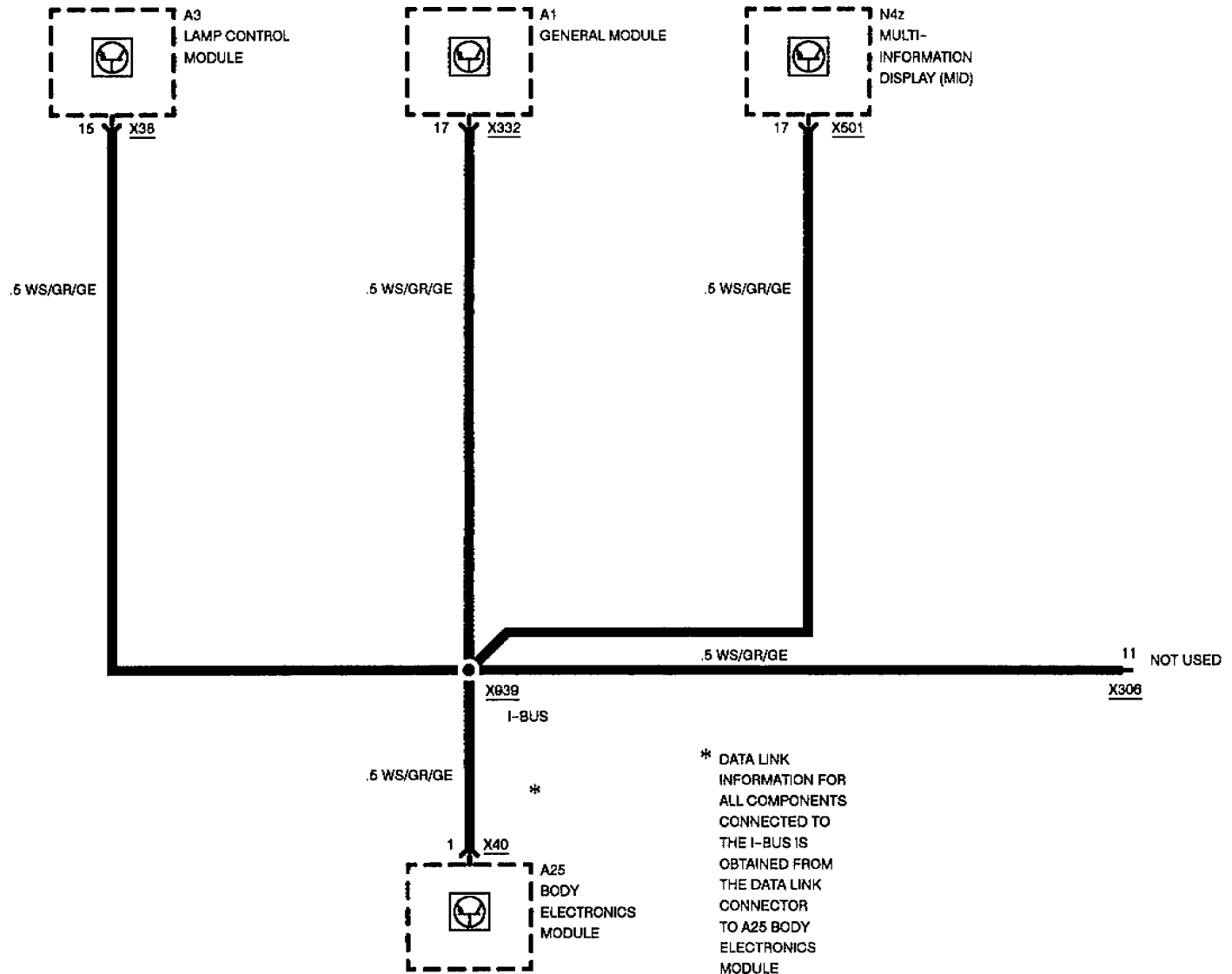
RXD, PIN 15





DATA LINK

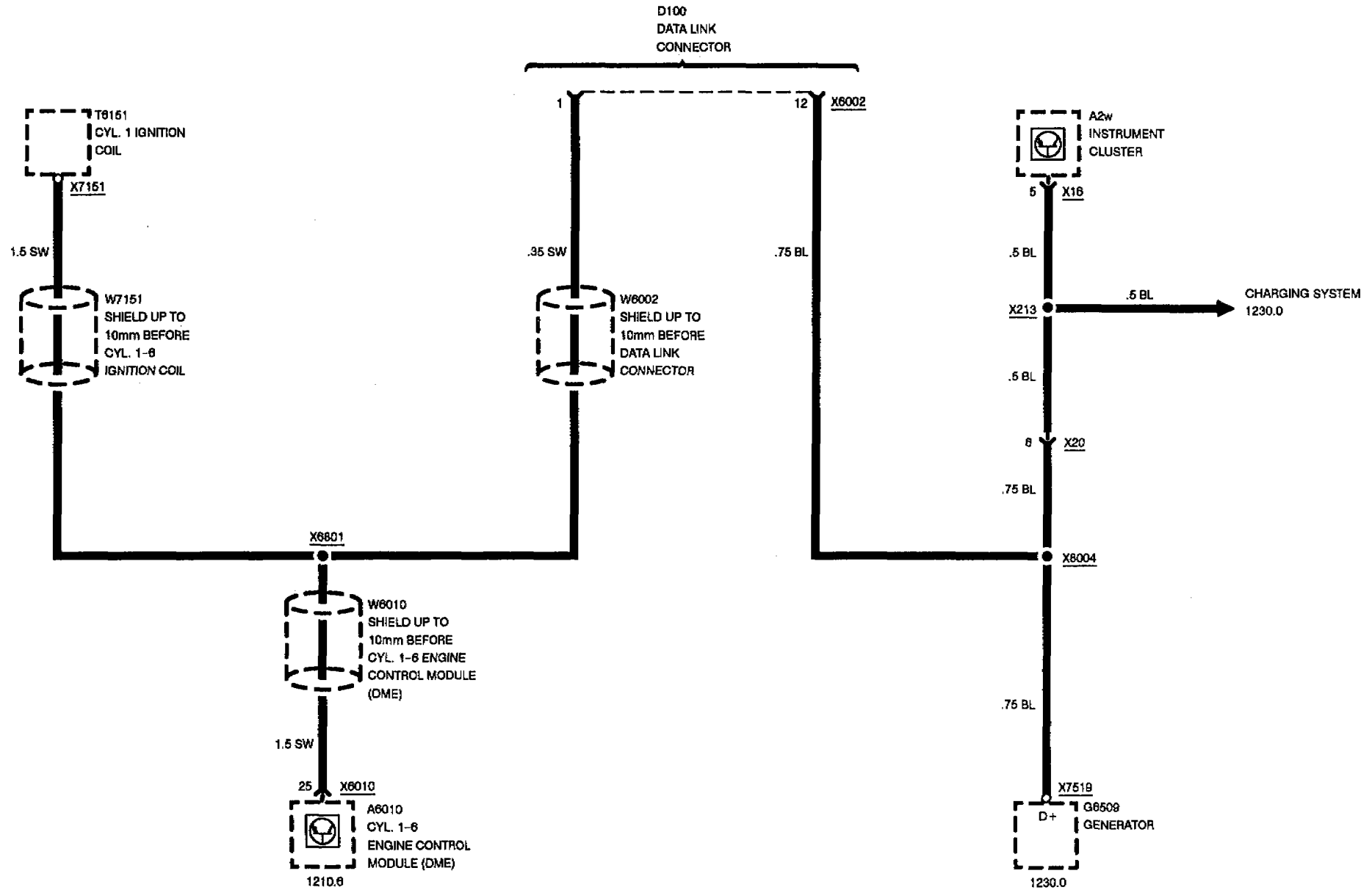
INSTRUMENTATION BUS (I-BUS)





DATA LINK

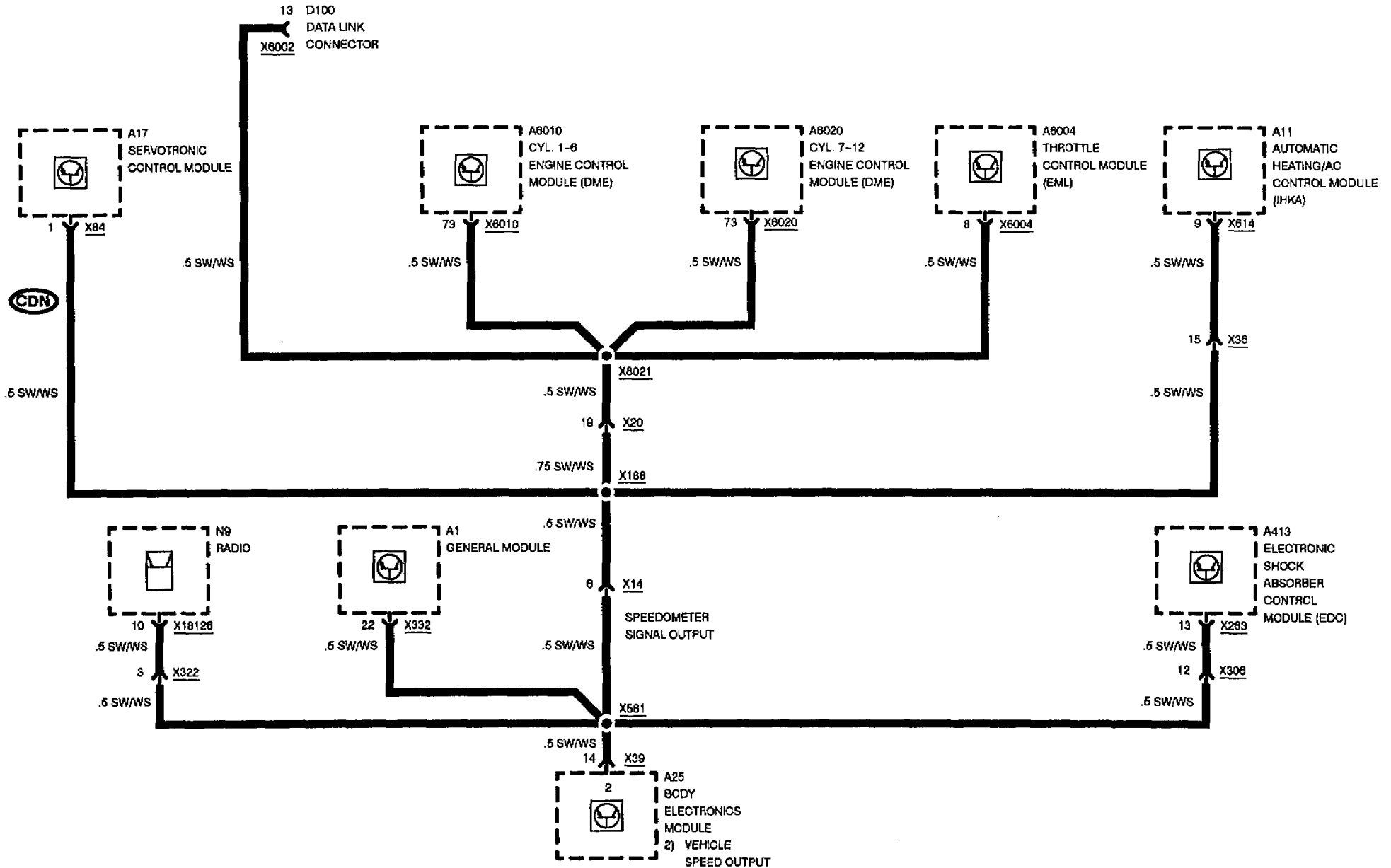
DATA LINK CONNECTOR PINS 1 AND 12





DATA LINK

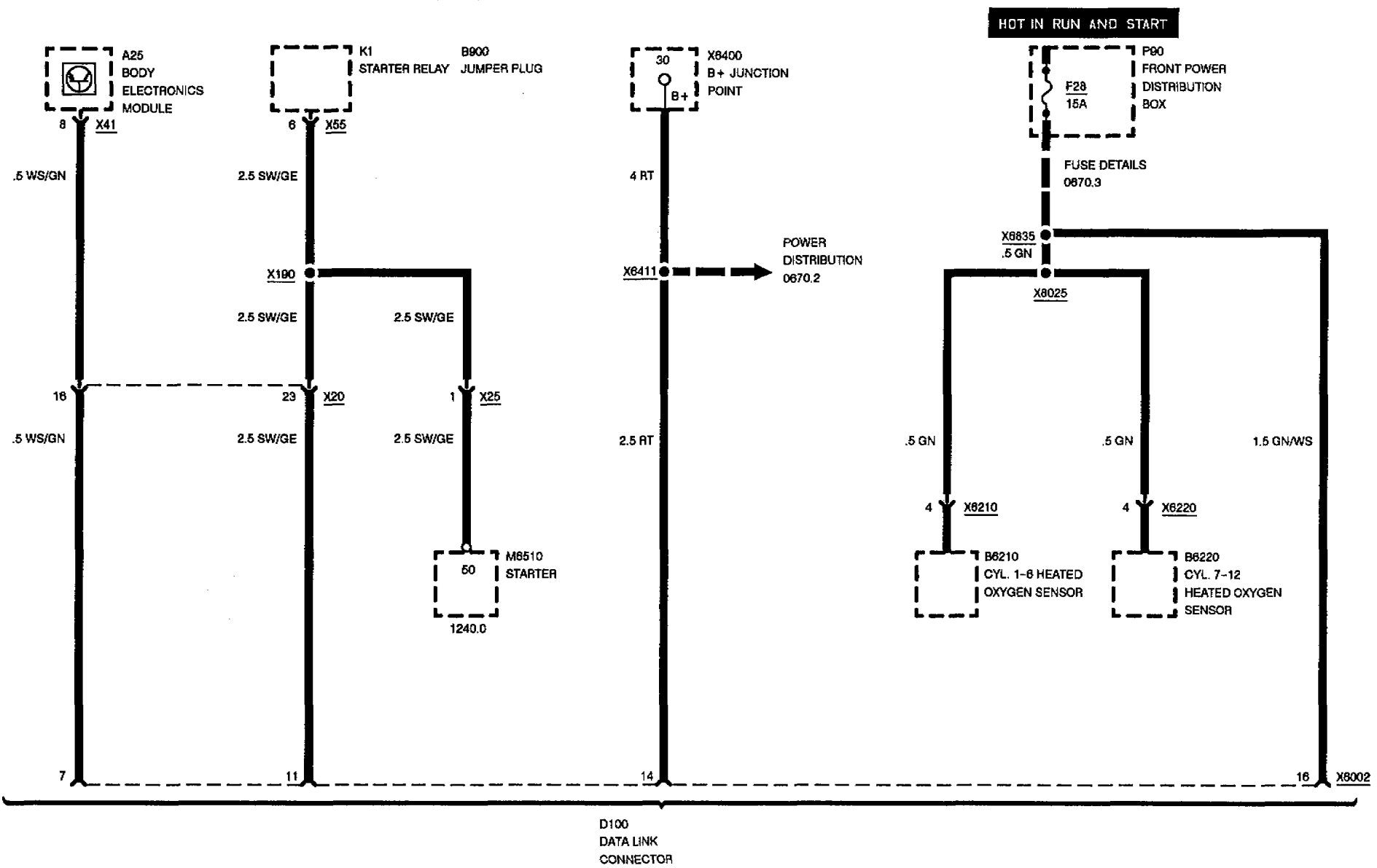
DATA LINK CONNECTOR PIN 13





DATA LINK

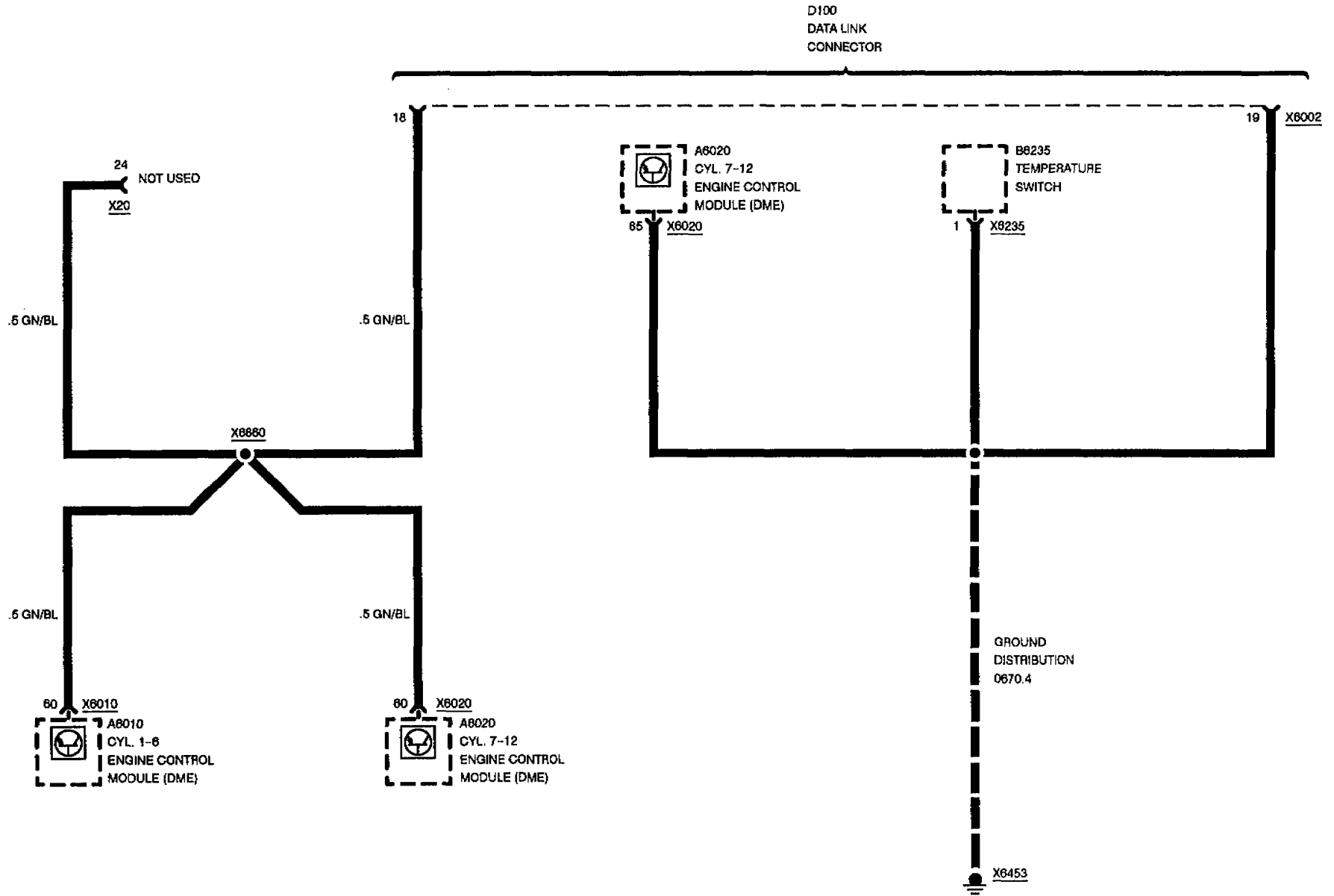
DATA LINK CONNECTOR PINS 7, 11, 14, AND 16





DATA LINK

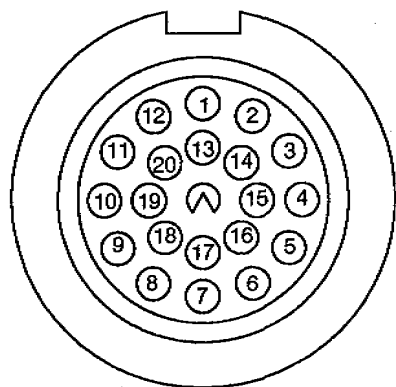
DATA LINK CONNECTOR PINS 18 AND 19



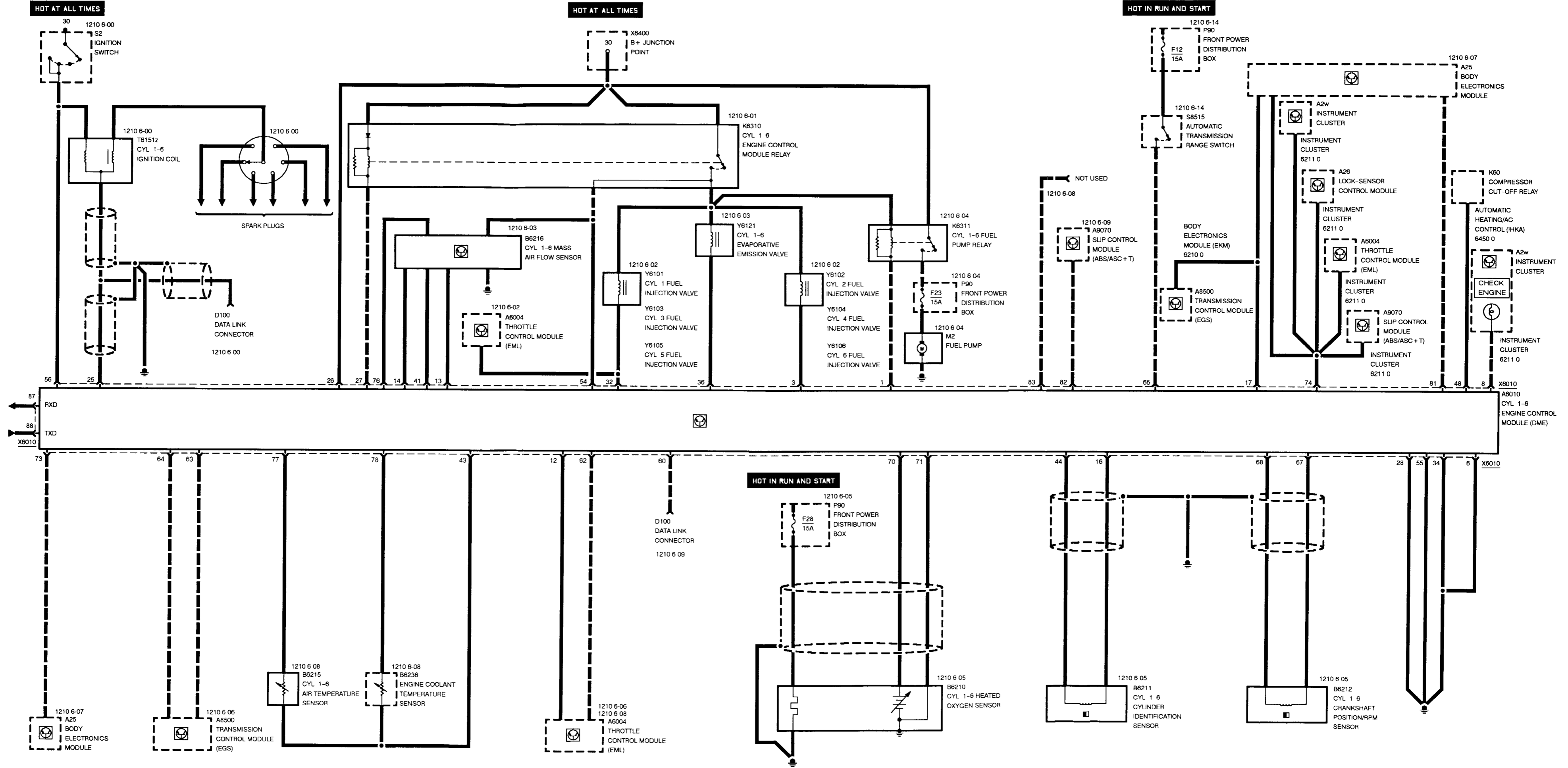


DATA LINK

DATA LINK CONNECTOR (X6002)



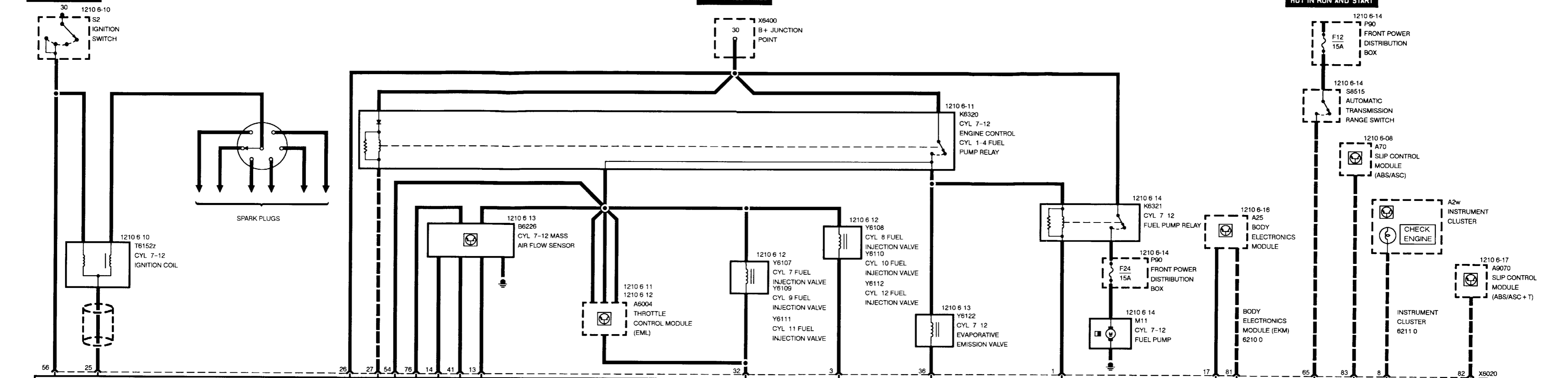
PIN NUMBER	TERMINAL NUMBER	TERMINAL DESCRIPTION	WIRE COLOR
1	1	IGNITION COIL	SW
2	-	NOT OCCUPIED	
3	-	NOT OCCUPIED	
4	-	NOT OCCUPIED	
5	-	NOT OCCUPIED	
6	-	NOT OCCUPIED	
7	SI	SERVICE INDICATOR REMINDER	WS/GN
8	-	NOT OCCUPIED	
9	-	NOT OCCUPIED	
10	-	NOT OCCUPIED	
11	50	VOLTAGE: IGNITION SWITCH IN START	SW/GE
12	61(D+)	GENERATOR CHARGE INDICATOR	BL
13	TACH	SPEEDOMETER SIGNAL OUTPUT	SW/WS
14	30	VOLTAGE: HOT AT ALL TIMES	RT
15	RXD	DIAGNOSTIC DATA LINK	WS/GE
16	15S	VOLTAGE: IGNITION SWITCH IN RUN AND START	GN/WS
17	-	NOT OCCUPIED	
18	-	PROGRAM SELECT FOR ENGINE CONTROL MODULE (DME)	GN/BL
19	31	GROUND	BR
20	TXD	DIAGNOSTIC DATA LINK	WS/VI



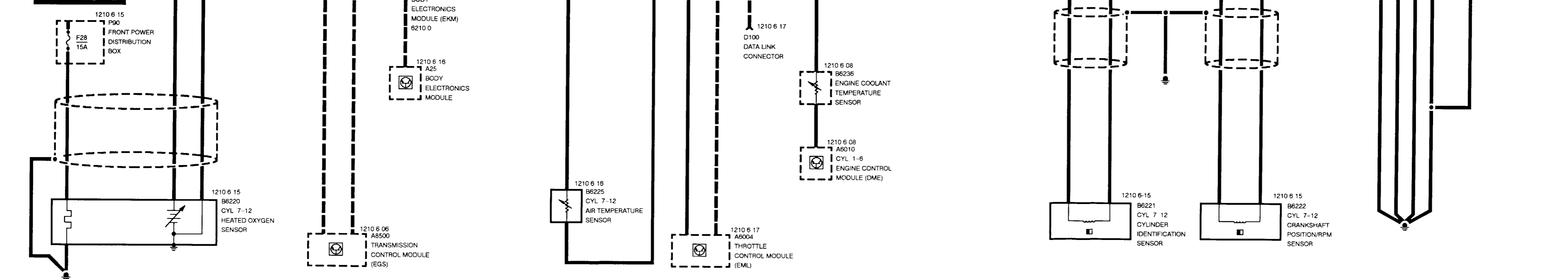
HOT AT ALL TIMES

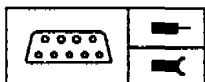
HOT AT ALL TIMES

HOT IN RUN AND START



HOT IN RUN AND START



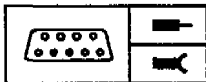


Pin Assignments

X6010

Pin	Type	Description/Function	Connection
1	A	Fuel pump relay and crankshaft reference signal (TR)	Fuel pump relay and transmission control module (EGS) torque converter clutch
2		Not used	
3	A	Fuel injector valves cyl. 2 - 4 - 6	Fuel injector valves
4		Not used	
5		Not used	
6	M	Ground, fuel injector valve output stages	Ground point
7		Not used	
8	A	Service reminder indicator (US only)	Instrument cluster
9		Not used	
10		Not used	
11		Not used	
12	E	Wide open throttle signal (VL)	Electronic throttle control module (EML)
13	A	Free combustion	Mass air flow sensor
14	M	Ground, mass air flow sensor	Mass air flow sensor
15		Not used	
16	E	Cylinder identification sensor (ignition)	Cylinder identification sensor (connection B)
17	A	Injection measuring signal (ti) (KVA signal)	Body electronics module (EKM)
18		Not used	
19		Not used	
20		Not used	
21		Not used	
22		Not used	
23		Not used	
24		Not used	
25	A	Ignition, terminal 1	Cyl. 1 - 6 ignition coil
26	E	Battery voltage	B+ junction point
27	A	Engine control module relay	Engine control module relay terminal 85 (additionally, jumper to second engine control module relay)

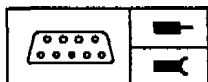
E = Input, A = Output, M = Ground



Pin Assignments

Pin	Type	Description/Function	Connection
28	M	Ground for electronics and shielding the sensors	Ground point
29		Not used	
30		Not used	
31		Not used	
32	A	Fuel injector valves cyl. 1 - 3 - 5	Fuel injector valves and electronic throttle control module (EML)
33		Not used	
34	M	Ground, remaining output stages (except for ignition and fuel injector valves)	Ground point
35		Not used	
36	A	Fuel evaporation purge valve	Fuel evaporation purge valve
37		Not used	
38		Not used	
39		Not used	
40		Not used	
41	E	Mass air flow sensor signal	Mass air flow sensor
42		Not used	
43	M	Ground for sensors	Temperature sensors
44	E	Cylinder identification sensor (ignition)	Cylinder identification sensor (connection A)
45		Not used	
46		Not used	
47		Not used	
48	A	Compressor cut-off signal	Compressor cut-off relay
49		Not used	
50		Not used	
51		Not used	
52		Not used	
53		Not used	
54	E	Battery voltage from engine control module relay	Engine control module relay
55	M	Ground, ignition	Ground point
56	E	Ignition, terminal 15	Ignition switch

E = Input, A = Output, M = Ground



Pin Assignments

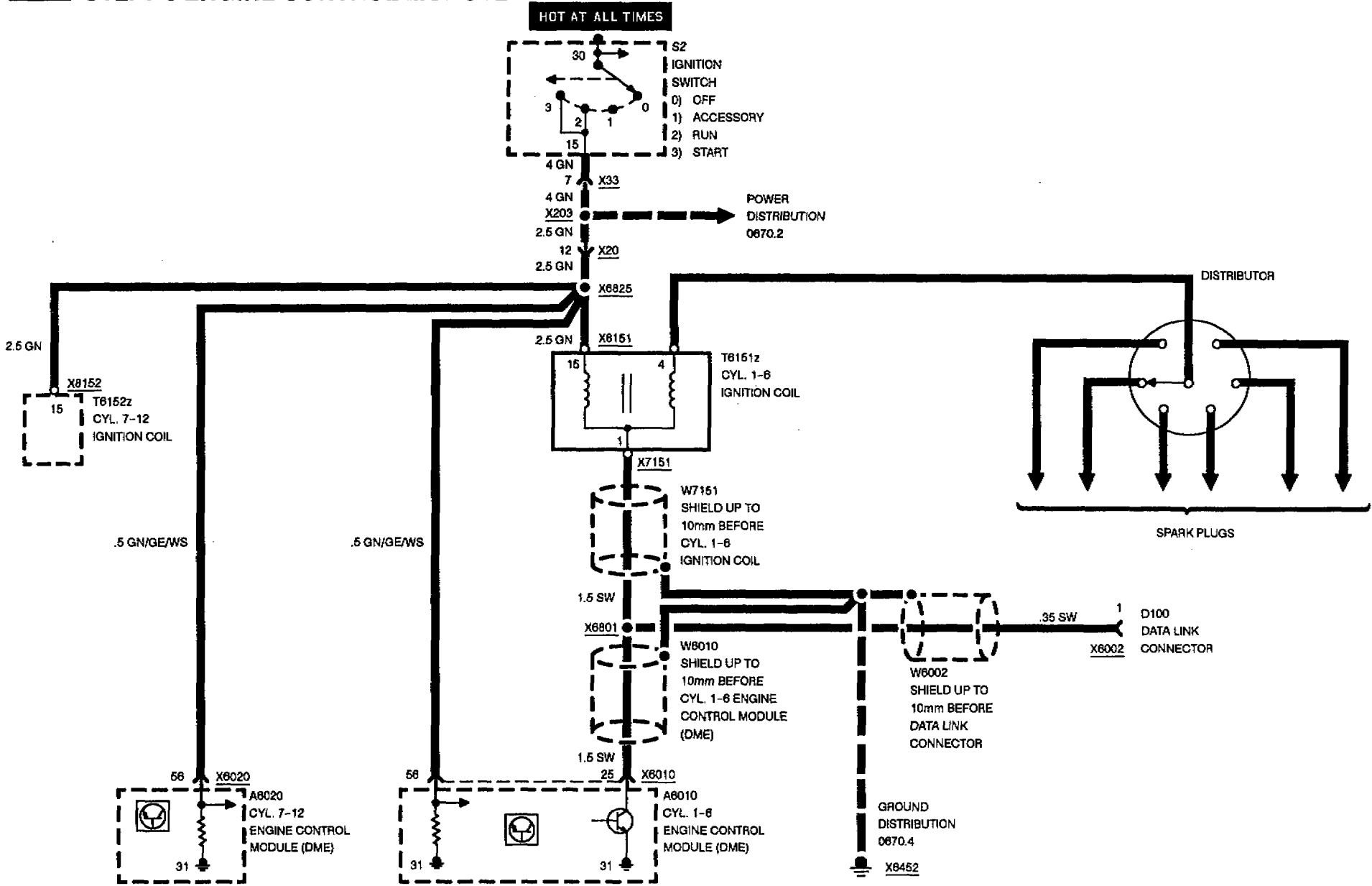
Pin	Type	Description/Function	Connection
57		Not used	
58		Not used	
59		Not used	
60	E	Programming voltage	Data link connector
61		Not used	
62	E	Idle signal (LL)	Electronic throttle control module (EML)
63	E	Torque converter clutch (WK)	Transmission control module (EGS)
64	E	Ignition timing intervention	Transmission control module (EGS)
65	E	Park/Neutral sensing	Automatic transmission range switch
66		Not used	
67	E	Inductive pulse generator (connection B)	Pulse generator, crankshaft rpm sensor
68	E	Inductive pulse generator (connection A)	Pulse generator, crankshaft rpm sensor
69		Not used	
70	E	Oxygen sensor signal	Heated oxygen sensor
71	M	Ground, oxygen sensor	Heated oxygen sensor
72		Not used	
73	E	Speedometer signal	Body electronics module (EKM)
74	A	Engine speed signal (TD)	Body electronics module (EKM)
75		Not used	
76	E	Idle CO-potentiometer	Mass air flow sensor
77	E	Intake air temperature	Engine intake air temperature sensor
78	E	Engine coolant temperature	Engine coolant temperature sensor
79		Not used	
80		Not used	
81	E	Antitheft signal	Body electronics module (EKM)
82	E	ASC ignition angle control (MSR)	ASC + T control unit
83		Not used	
84		Not used	
85		Not used	
86		Not used	
87	A	RxD diagnostic data line	Data link connector
88	E/A	TxD diagnostic data line	Data link connector

E = Input, A = Output, M = Ground



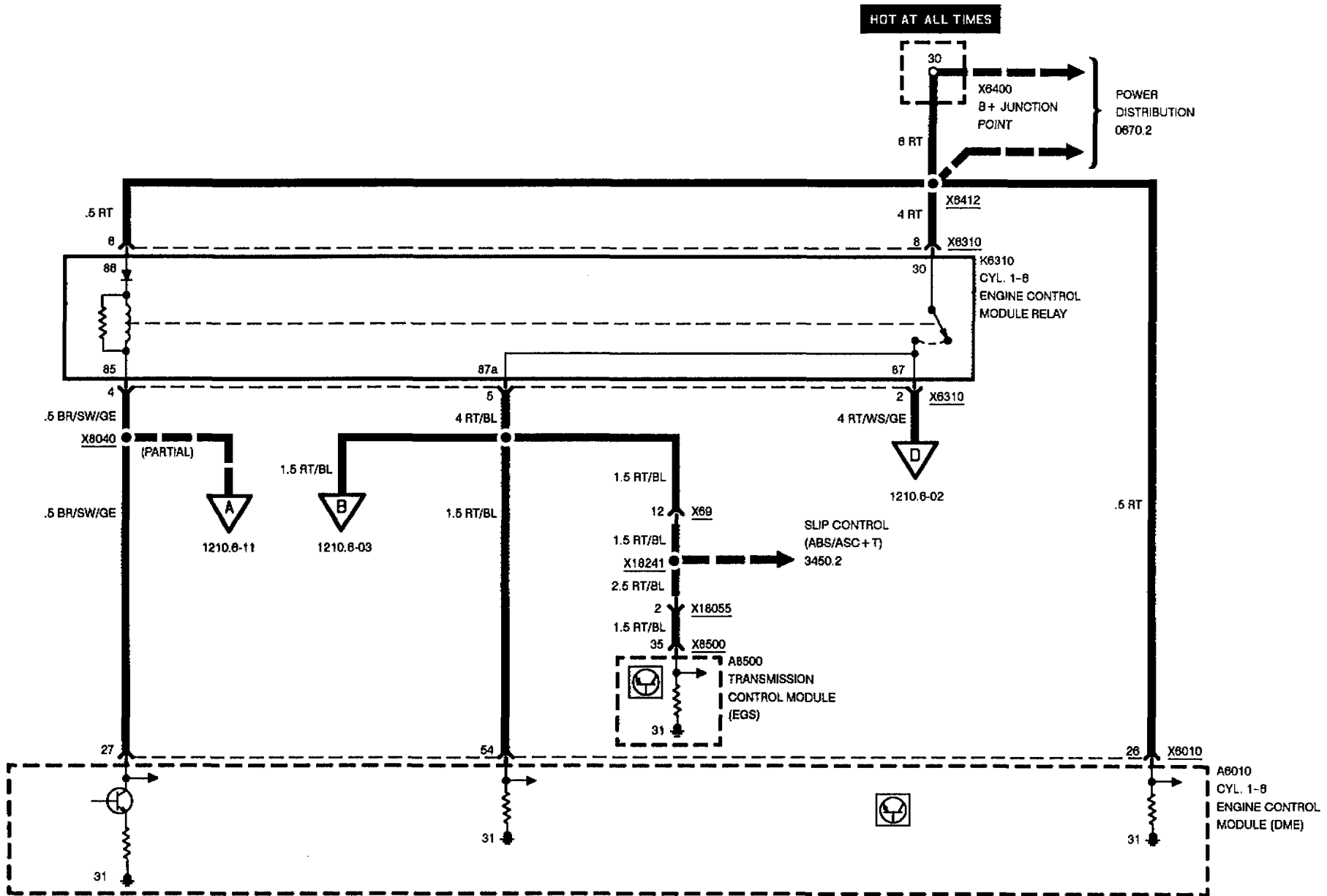
ENGINE CONTROL SYSTEM (DME M1.7, 12-CYLINDER M70)

CYL. 1-6 ENGINE CONTROL MODULE



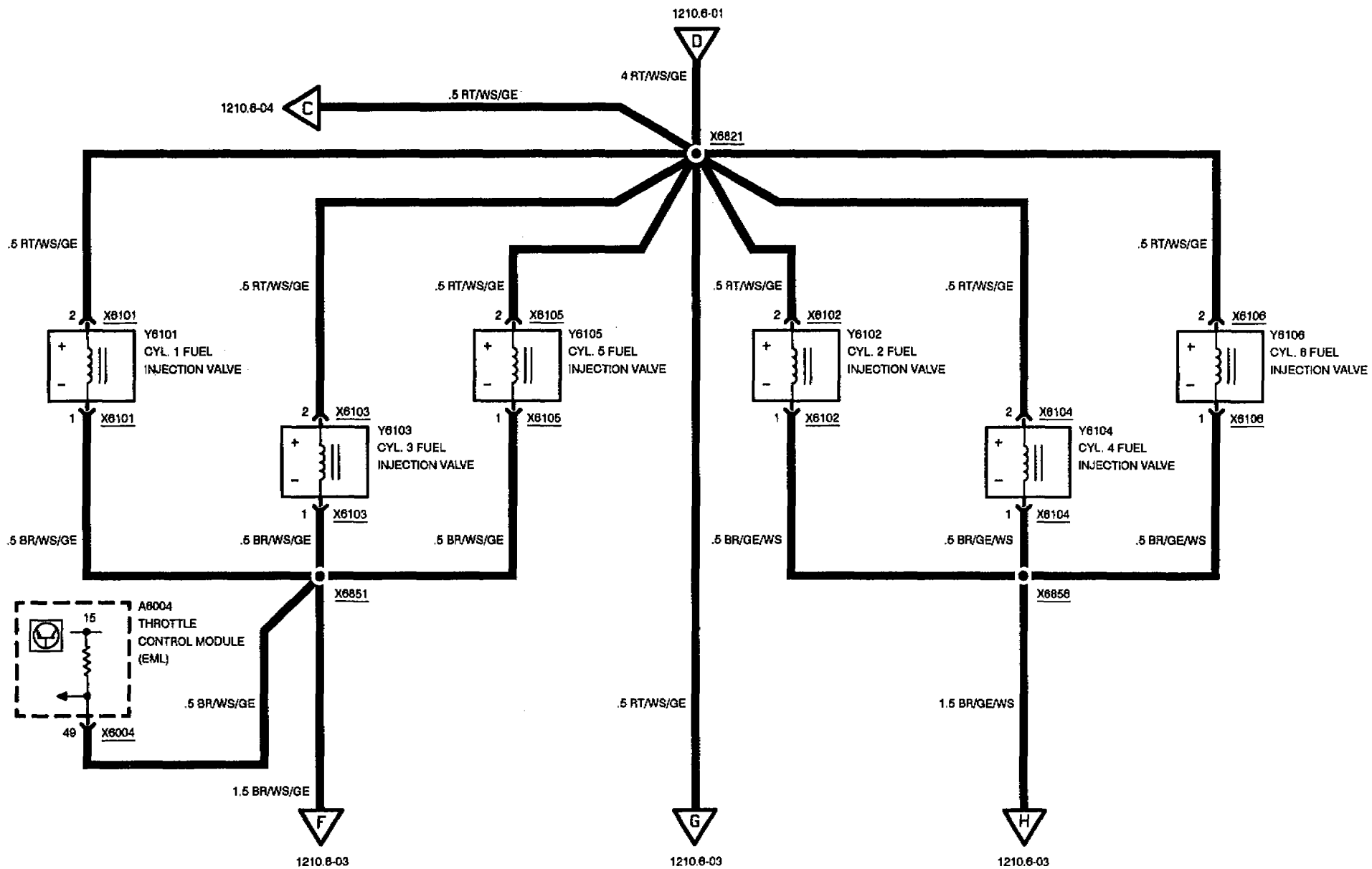


ENGINE CONTROL SYSTEM (DME M1.7, 12-CYLINDER M70) CYL. 1-6 ENGINE CONTROL MODULE





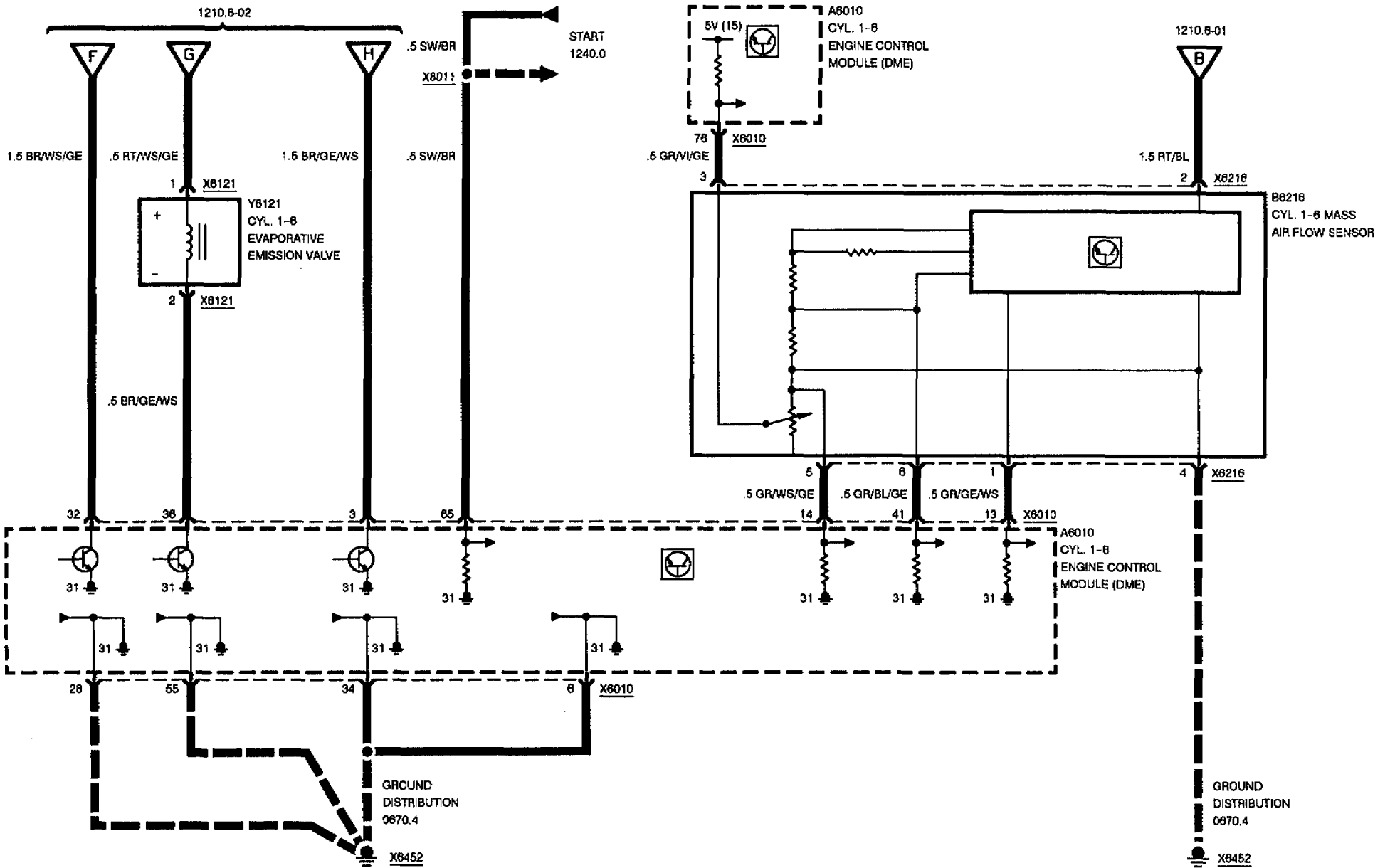
ENGINE CONTROL SYSTEM (DME M1.7, 12-CYLINDER M70) FUEL INJECTION VALVES





ENGINE CONTROL SYSTEM (DME M1.7, 12-CYLINDER M70)

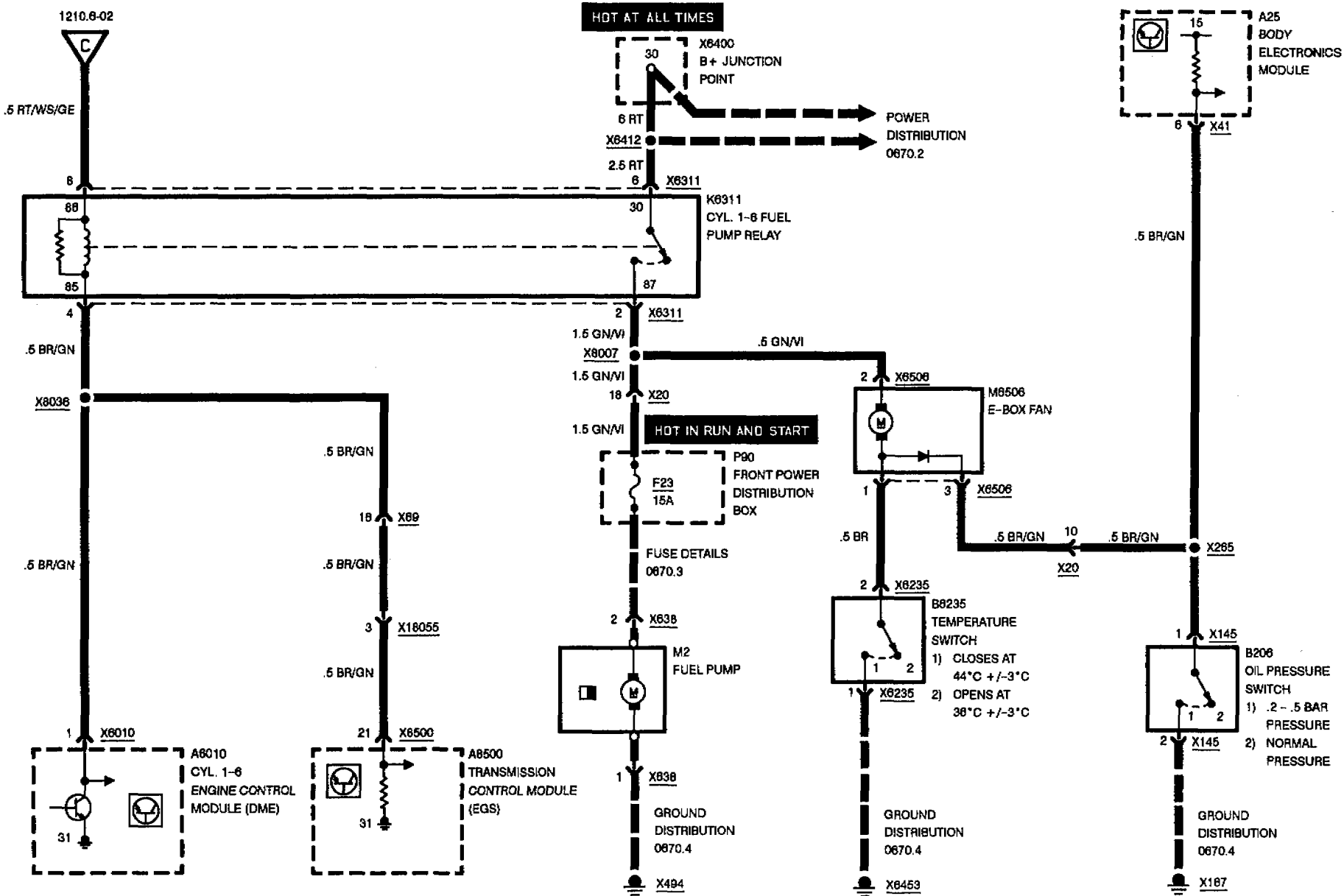
CYL. 1-6 ENGINE CONTROL MODULE





ENGINE CONTROL SYSTEM (DME M1.7, 12-CYLINDER M70)

CYL. 1-6 ENGINE CONTROL MODULE

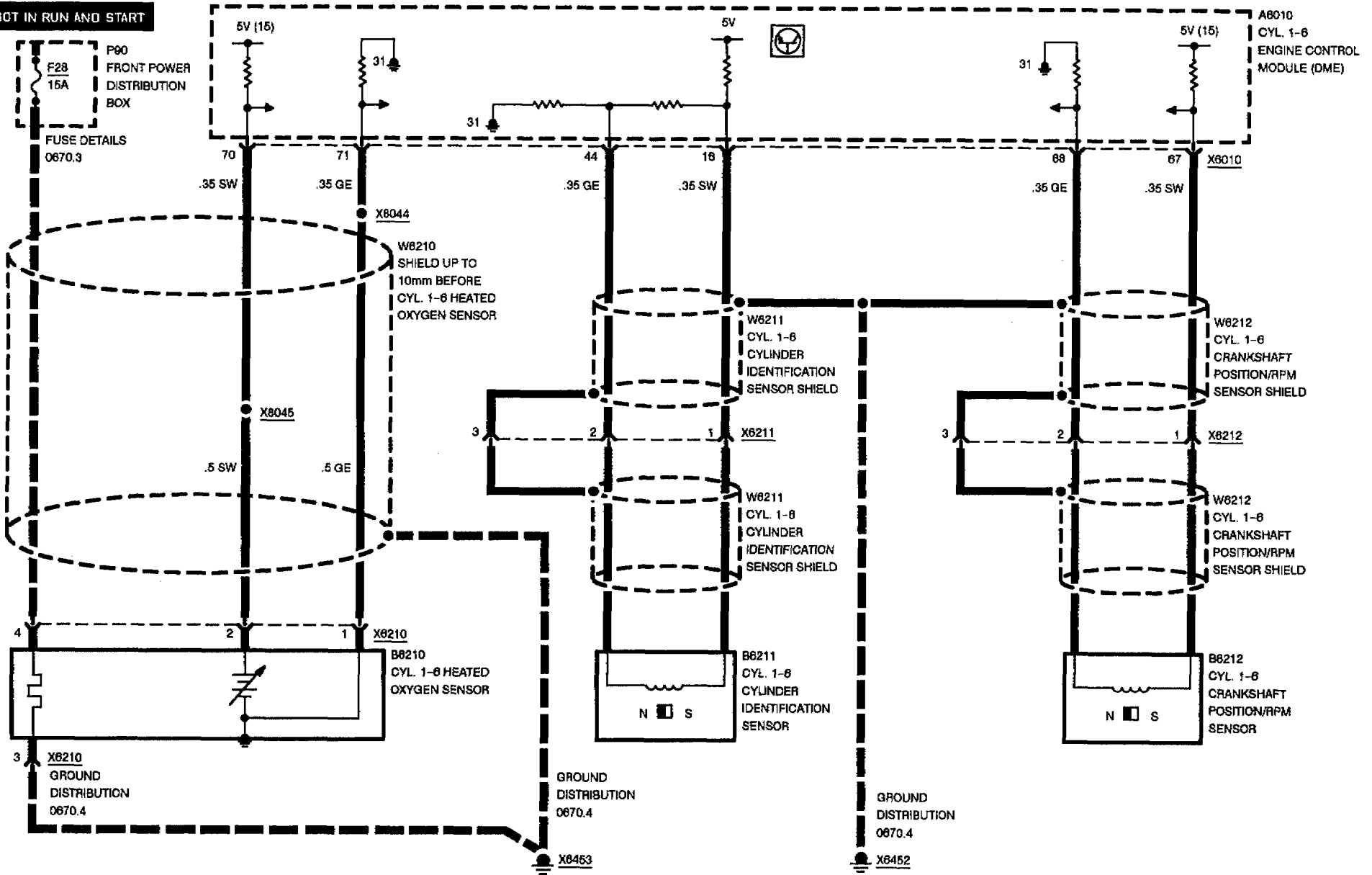




ENGINE CONTROL SYSTEM (DME M1.7, 12-CYLINDER M70)

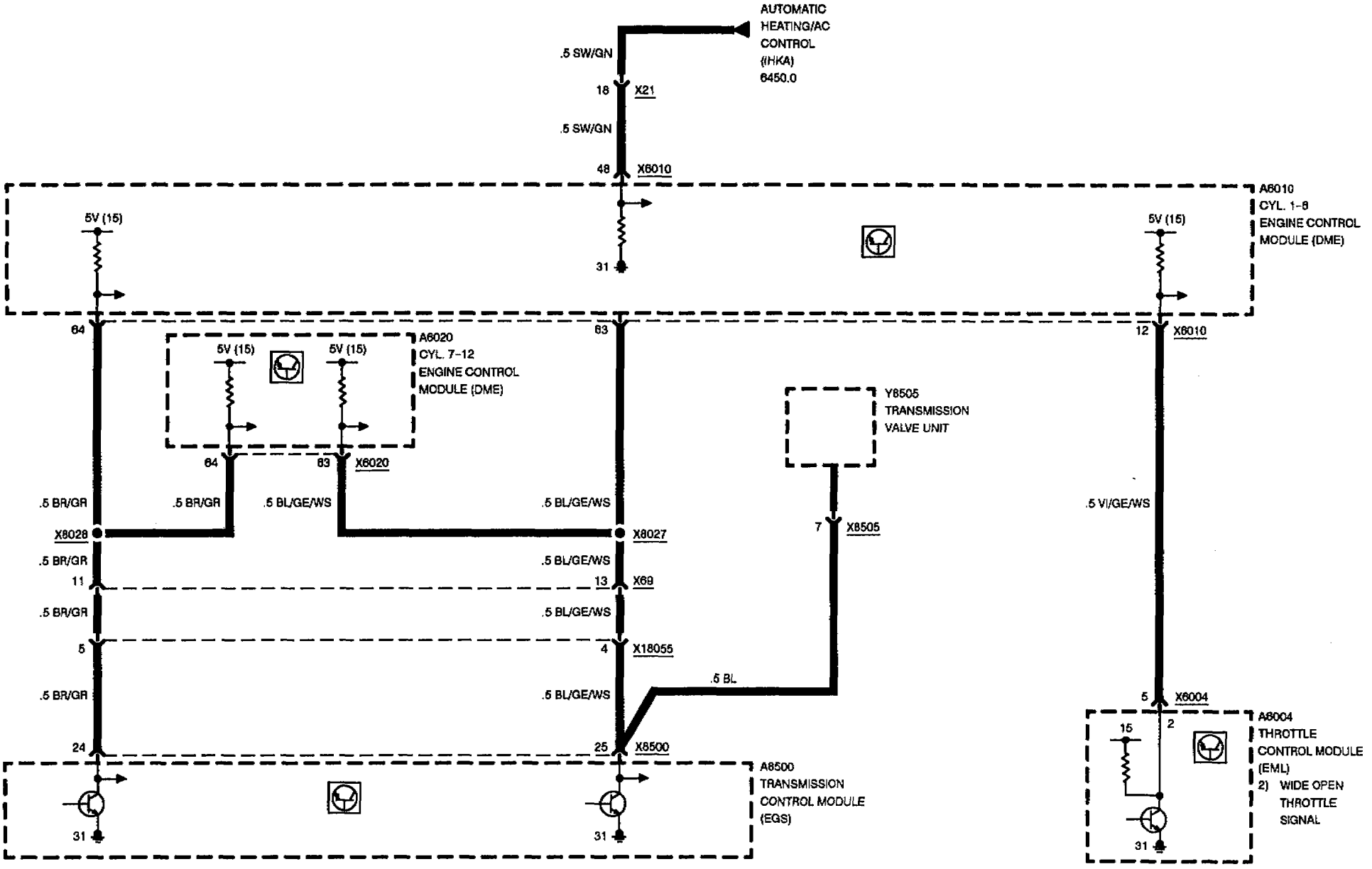
CYL. 1-6 ENGINE CONTROL MODULE

HOT IN RUN AND START





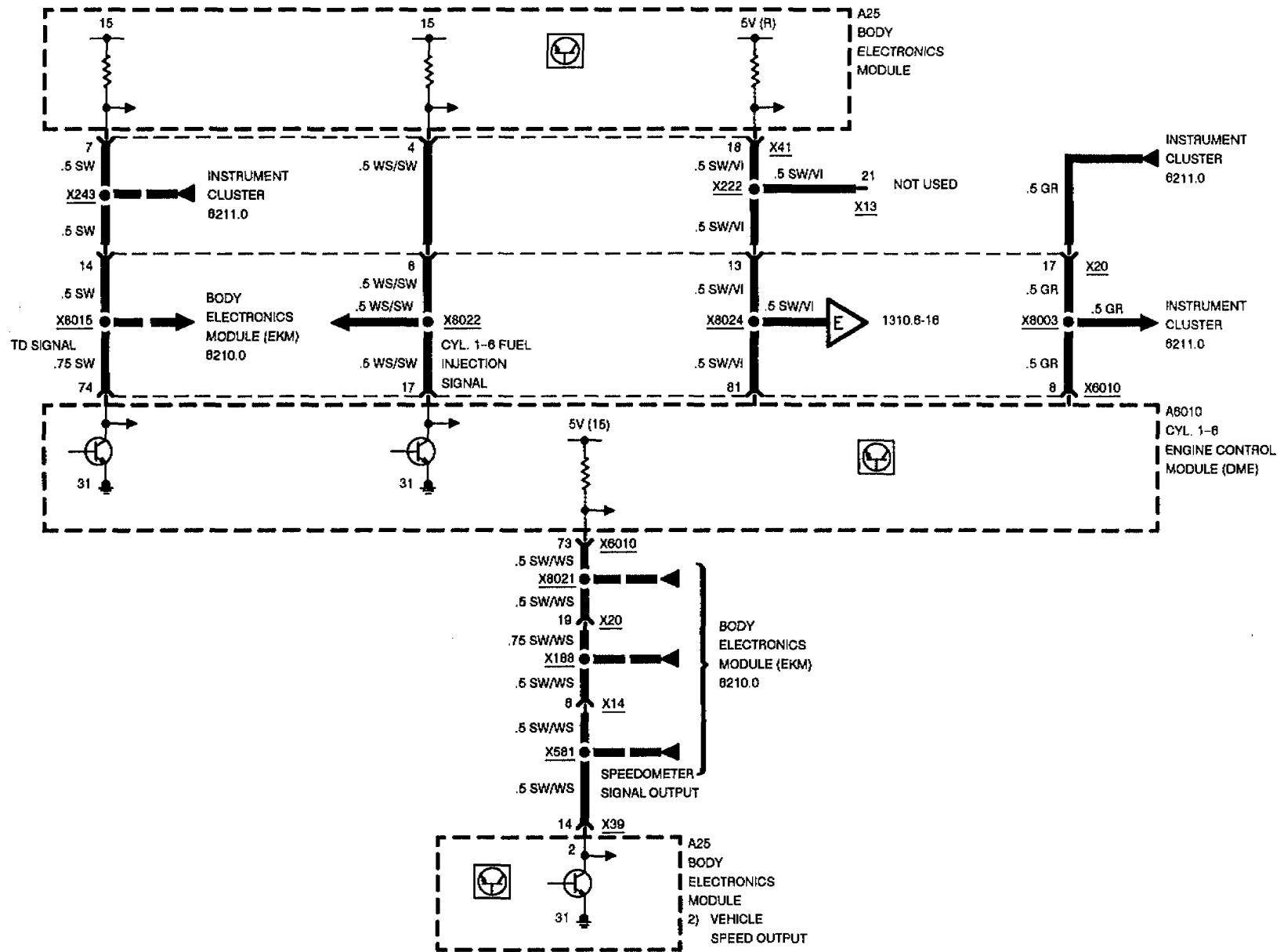
ENGINE CONTROL SYSTEM (DME M1.7, 12-CYLINDER M70) CYL. 1-6 ENGINE CONTROL MODULE





ENGINE CONTROL SYSTEM (DME M1.7, 12-CYLINDER M70)

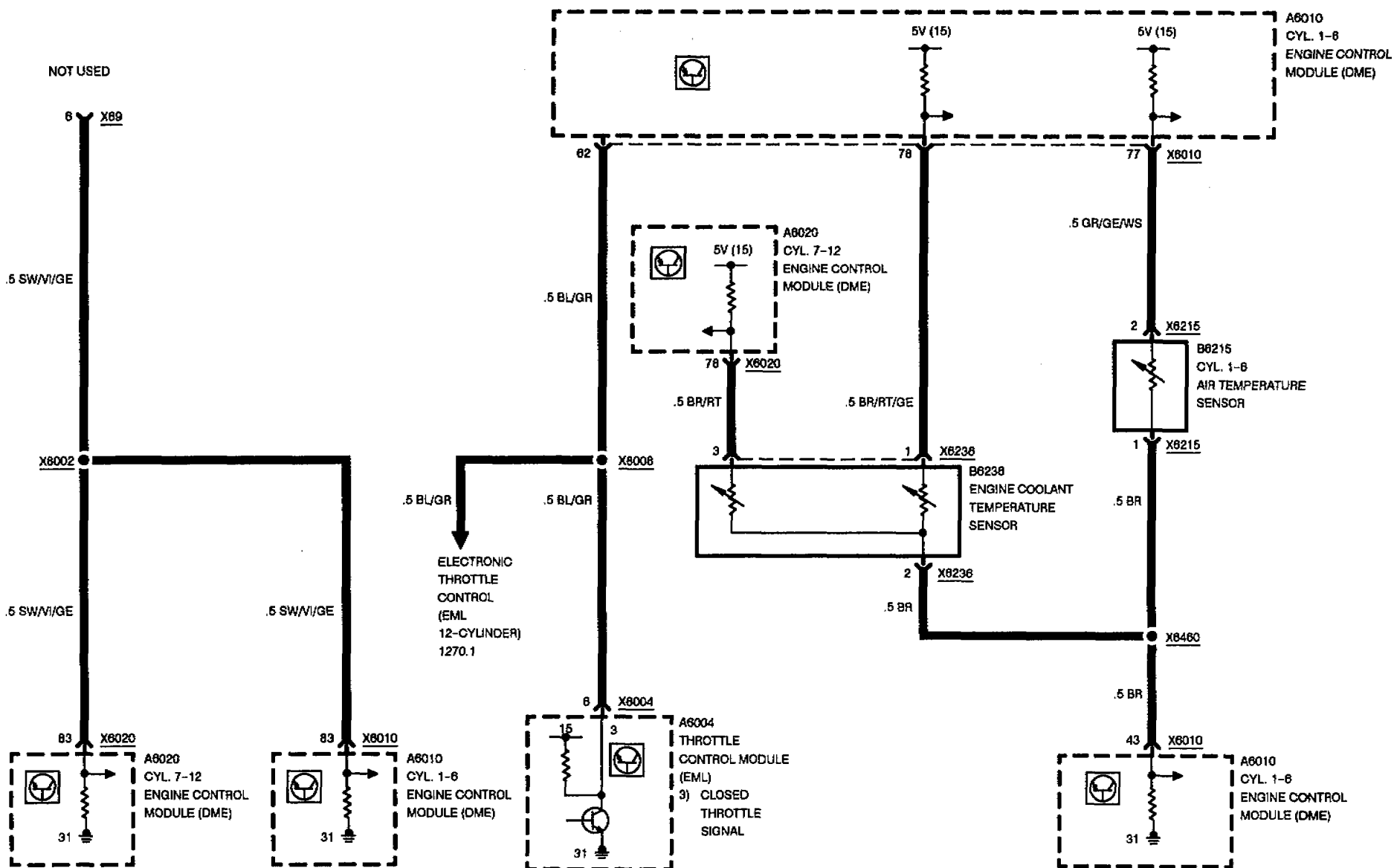
CYL. 1-6 ENGINE CONTROL MODULE





ENGINE CONTROL SYSTEM (DME M1.7, 12-CYLINDER M70)

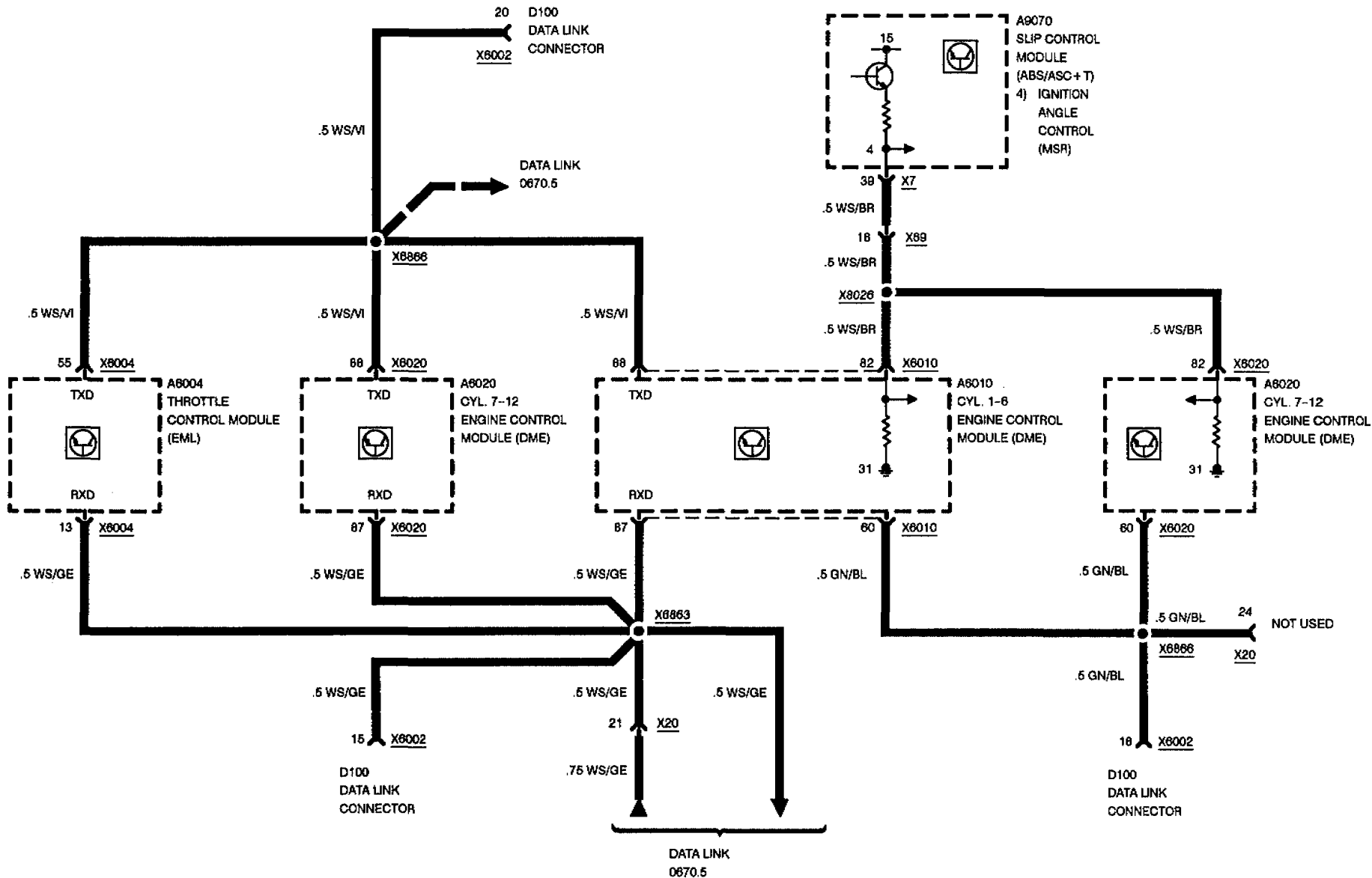
CYL. 1-6 ENGINE CONTROL MODULE



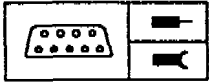


ENGINE CONTROL SYSTEM (DME M1.7, 12-CYLINDER M70)

CYL. 1-6 ENGINE CONTROL MODULE





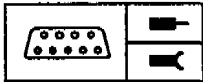


Pin Assignments

X6020

Pin	Type	Description/Function	Connection
1	A	Fuel pump relay and crankshaft reference signal (TR)	Fuel pump relay and transmission control module (EGS) torque converter clutch
2		Not used	
3	A	Fuel injector valves cyl. 8 - 10 - 12	Fuel injector valves
4		Not used	
5		Not used	
6	M	Ground, fuel injector valve output stages	Ground point
7		Not used	
8	A	Service reminder indicator (US only)	Instrument cluster
9		Not used	
10		Not used	
11		Not used	
12	E	Wide open throttle (VL)	Electronic throttle control module (EML)
13	A	Free combustion	Mass air flow sensor
14	M	Ground, mass air flow sensor	Mass air flow sensor
15		Not used	
16	E	Cylinder identification sensor (ignition)	Cylinder identification sensor (connection B)
17	A	Injection measuring signal (ti) (KVA signal)	Body electronics module (EKM)
18		Not used	
19		Not used	
20		Not used	
21		Not used	
22		Not used	
23		Not used	
24		Not used	
25	A	Ignition, terminal 1	Cyl. 7 - 12 ignition coil
26	E	Battery voltage	B+ junction point
27	A	Engine control module relay	Engine control module relay terminal 85 (additionally, jumper to first engine control module relay)

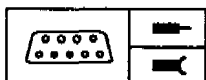
E = Input, A = Output, M = Ground



Pin Assignments

Pin	Type	Description/Function	Connection
28	M	Ground for electronics and shielding the sensors	Ground point
29		Not used	
30		Not used	
31		Not used	
32	A	Fuel injector valves cyl. 7 - 9 - 11	Fuel injector valves and electronic throttle control module (EML)
33		Not used	
34	M	Ground, remaining output stages (except for ignition and fuel injector valves)	Ground point
35		Not used	
36	A	Fuel evaporation purge valve	Fuel evaporation purge valve
37		Not used	
38		Not used	
39		Not used	
40		Not used	
41	E	Mass air flow sensor signal	Mass air flow sensor
42		Not used	
43	M	Ground for sensor	Temperature sensor
44	E	Cylinder identification sensor (ignition)	Cylinder identification sensor (connection A)
45		Not used	
46		Not used	
47		Not used	
48		Not used	
49		Not used	
50		Not used	
51		Not used	
52		Not used	
53		Not used	
54	E	Battery voltage from engine control module relay	Engine control module relay, terminal 87
55	M	Ground, ignition	Ground point
56	E	Ignition, terminal 15	Ignition switch

E = Input, A = Output, M = Ground



Pin Assignments

Pin	Type	Description/Function	Connection
57		Not used	
58		Not used	
59		Not used	
60	E	Programming voltage	Data link connector
61		Not used	
62	E	Idle signal (LL)	Electronic throttle control module (EML)
63	E	Torque converter clutch (WK)	Transmission control module (EGS)
64	E	Ignition timing intervention	Transmission control module (EGS)
65	E	Park/Neutral sensing	Automatic transmission range switch
66		Not used	
67	E	Inductive pulse generator (connection B)	Pulse generator, crankshaft rpm sensor
68	E	Inductive pulse generator (connection A)	Pulse generator, crankshaft rpm sensor
69		Not used	
70	E	Oxygen sensor signal	Heated oxygen sensor
71	M	Ground, oxygen sensor	Heated oxygen sensor
72		Not used	
73	E	Speedometer signal	Body electronics module (EKM)
74		Not used	
75		Not used	
76	E	Idle CO-potentiometer	Mass air flow sensor
77	E	Intake air temperature	Engine intake air temperature sensor
78		Engine coolant temperature	Engine coolant temperature sensor
79		Not used	
80		Not used	
81	E	Antitheft signal	Body electronics module (EKM)
82	E	ASC ignition angle control (MSR)	ASC + T control unit
83		Not used	
84		Not used	
85	E	Identifier, Cyl. 7 - 12 engine control module	Ground point
86		Not used	
87	A	RxD diagnostic data line	Data link connector
88	E/A	TxD diagnostic data line	Data link connector

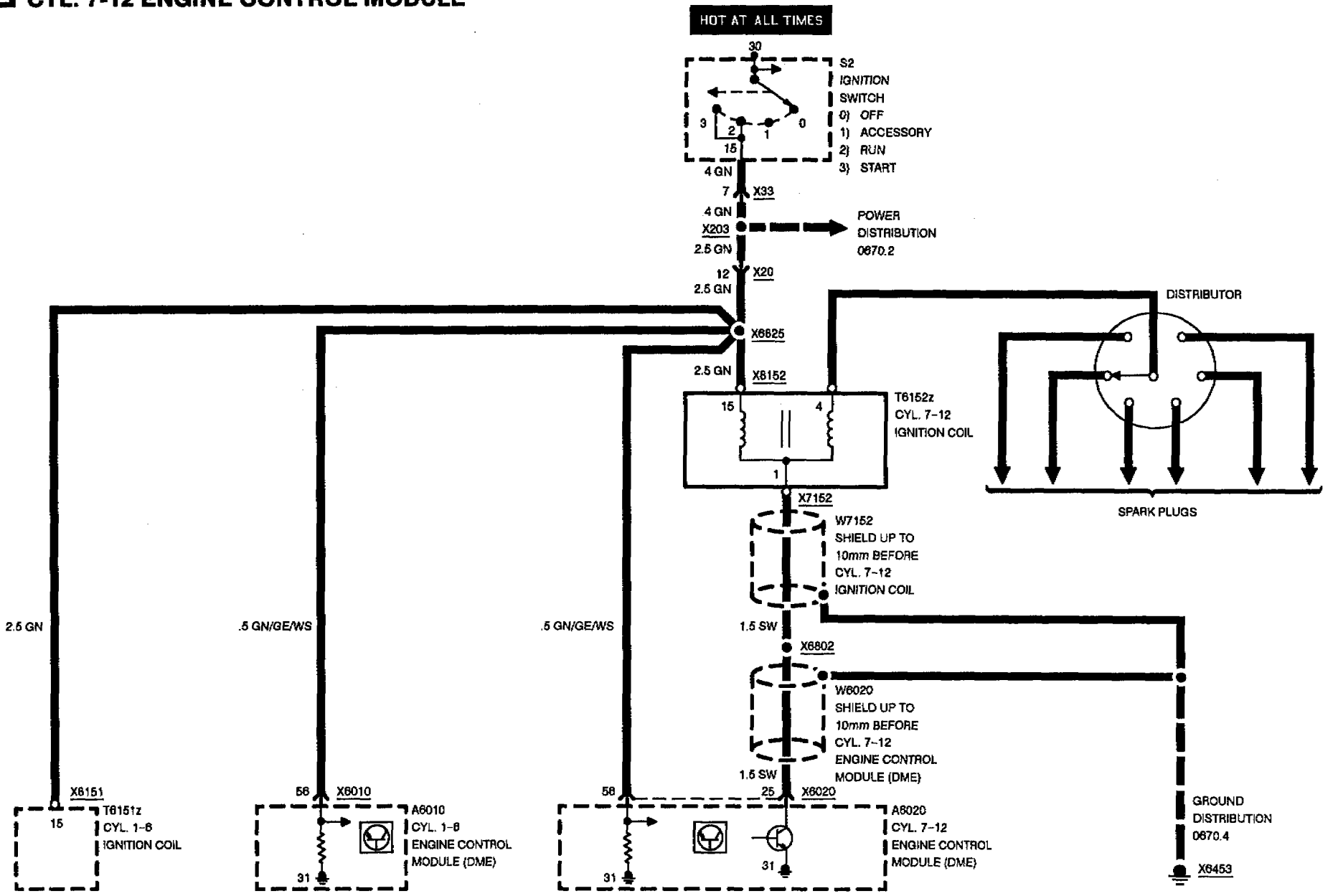
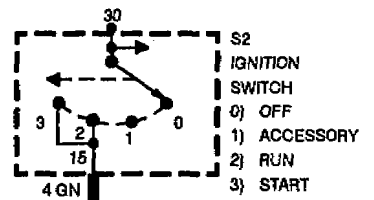
E = Input, A = Output, M = Ground



ENGINE CONTROL SYSTEM (DME M1.7, 12-CYLINDER M70)

CYL. 7-12 ENGINE CONTROL MODULE

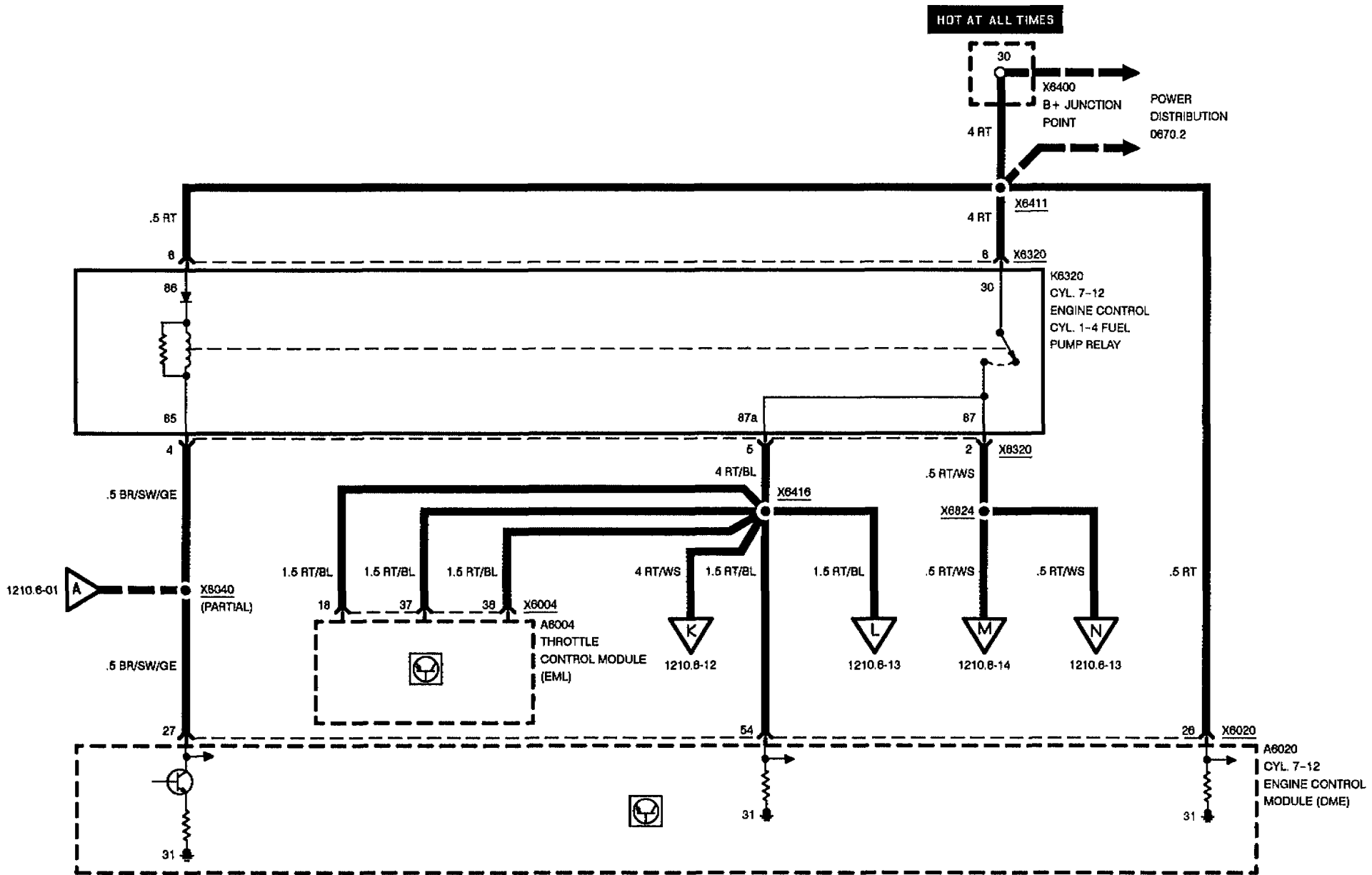
HOT AT ALL TIMES





ENGINE CONTROL SYSTEM (DME M1.7, 12-CYLINDER M70)

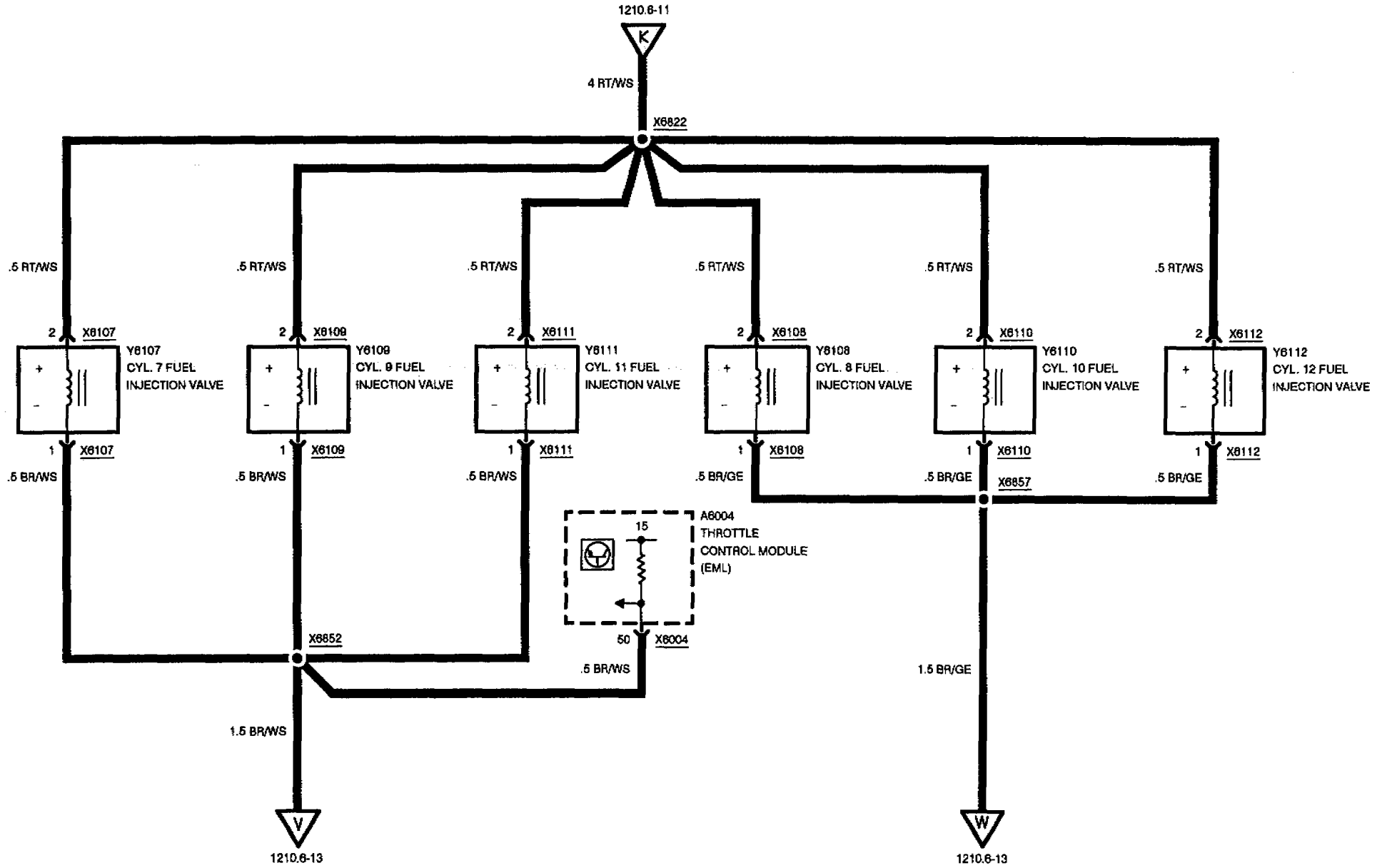
CYL. 7-12 ENGINE CONTROL MODULE





ENGINE CONTROL SYSTEM (DME M1.7, 12-CYLINDER M70)

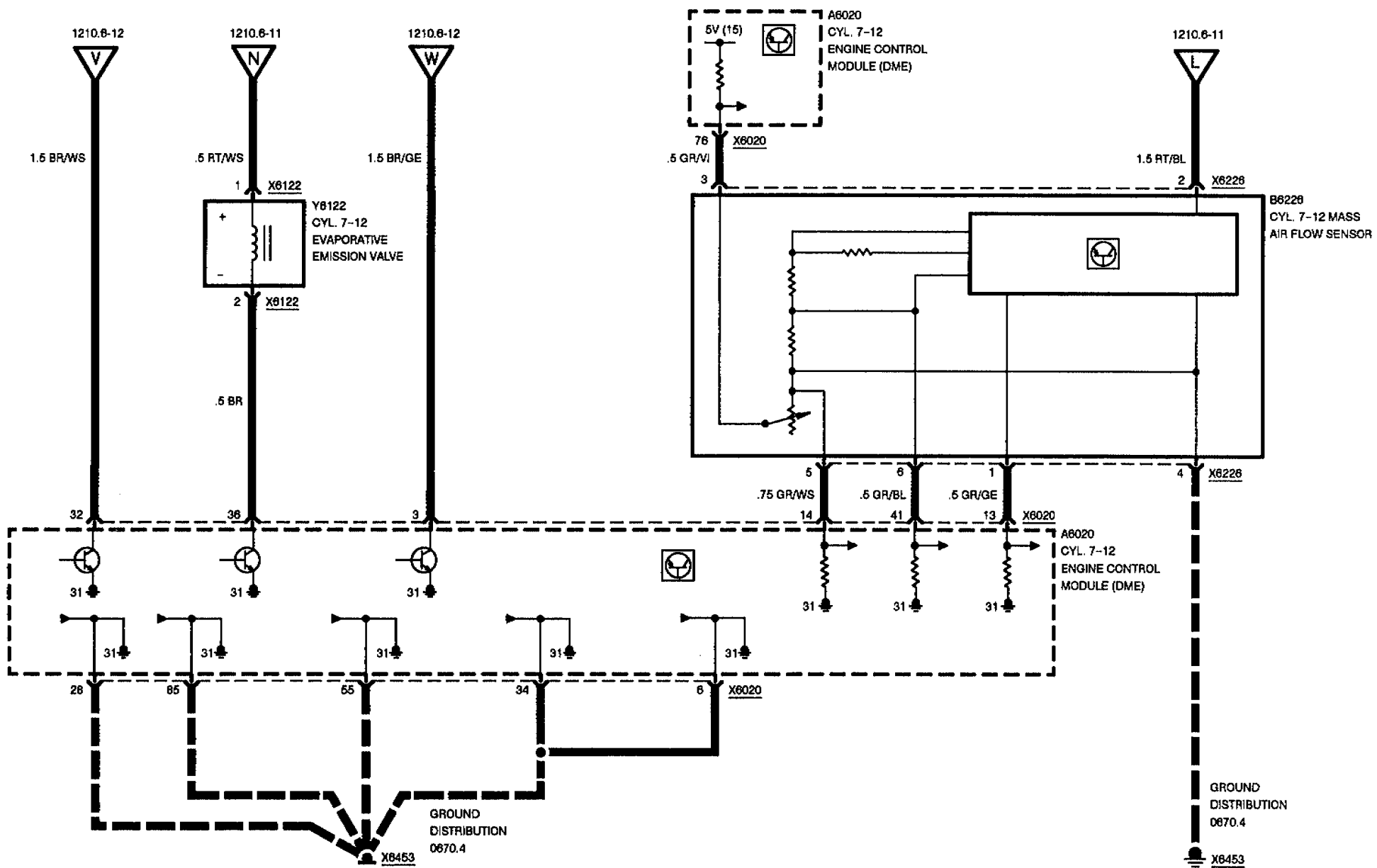
FUEL INJECTION VALVES





ENGINE CONTROL SYSTEM (DME M1.7, 12-CYLINDER M70)

CYL. 7-12 ENGINE CONTROL MODULE



09/92

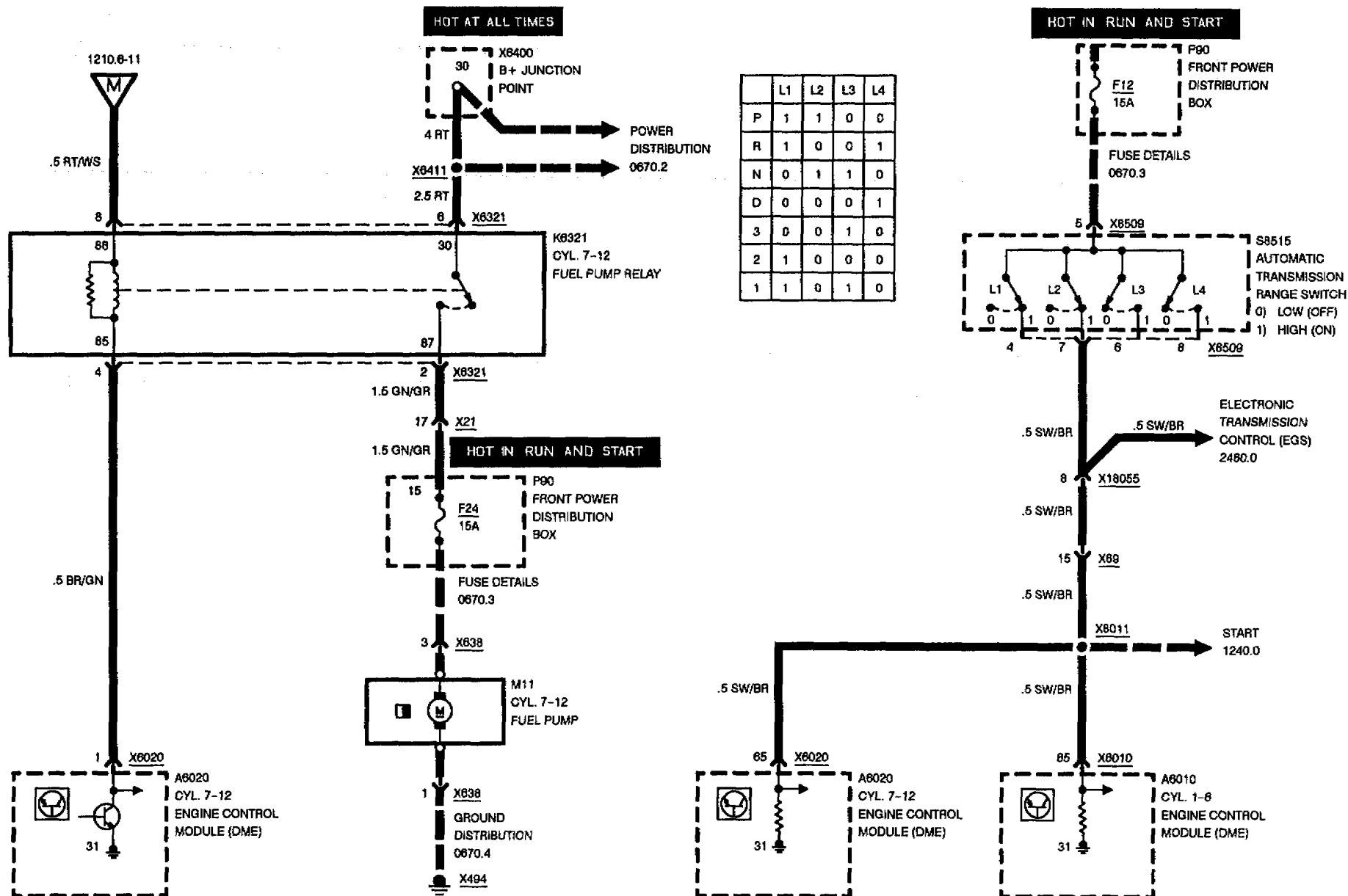
1210.6-13

1993



ENGINE CONTROL SYSTEM (DME M1.7, 12-CYLINDER M70)

CYL. 7-12 ENGINE CONTROL MODULE

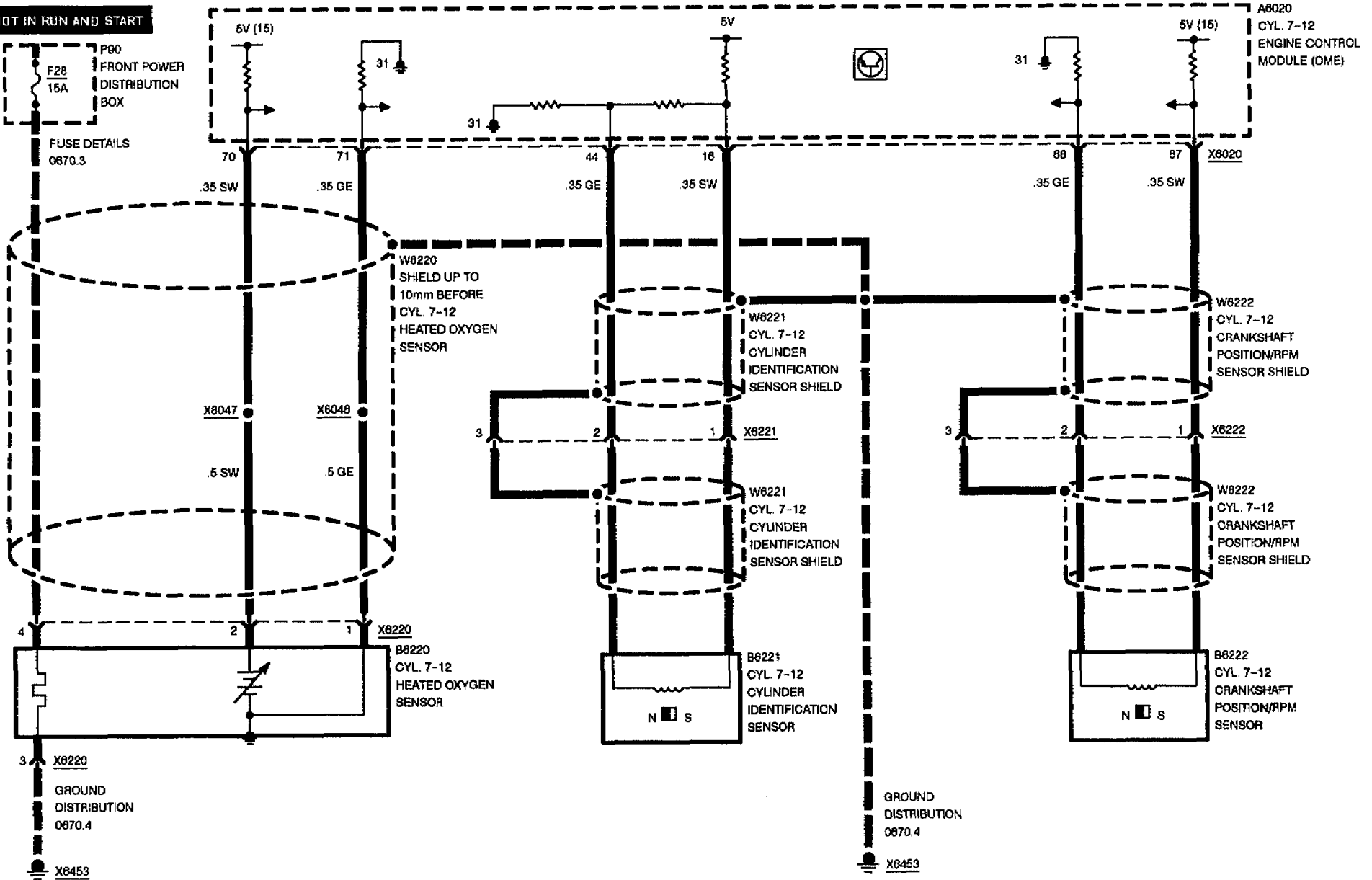




ENGINE CONTROL SYSTEM (DME M1.7, 12-CYLINDER M70)

CYL. 7-12 ENGINE CONTROL MODULE

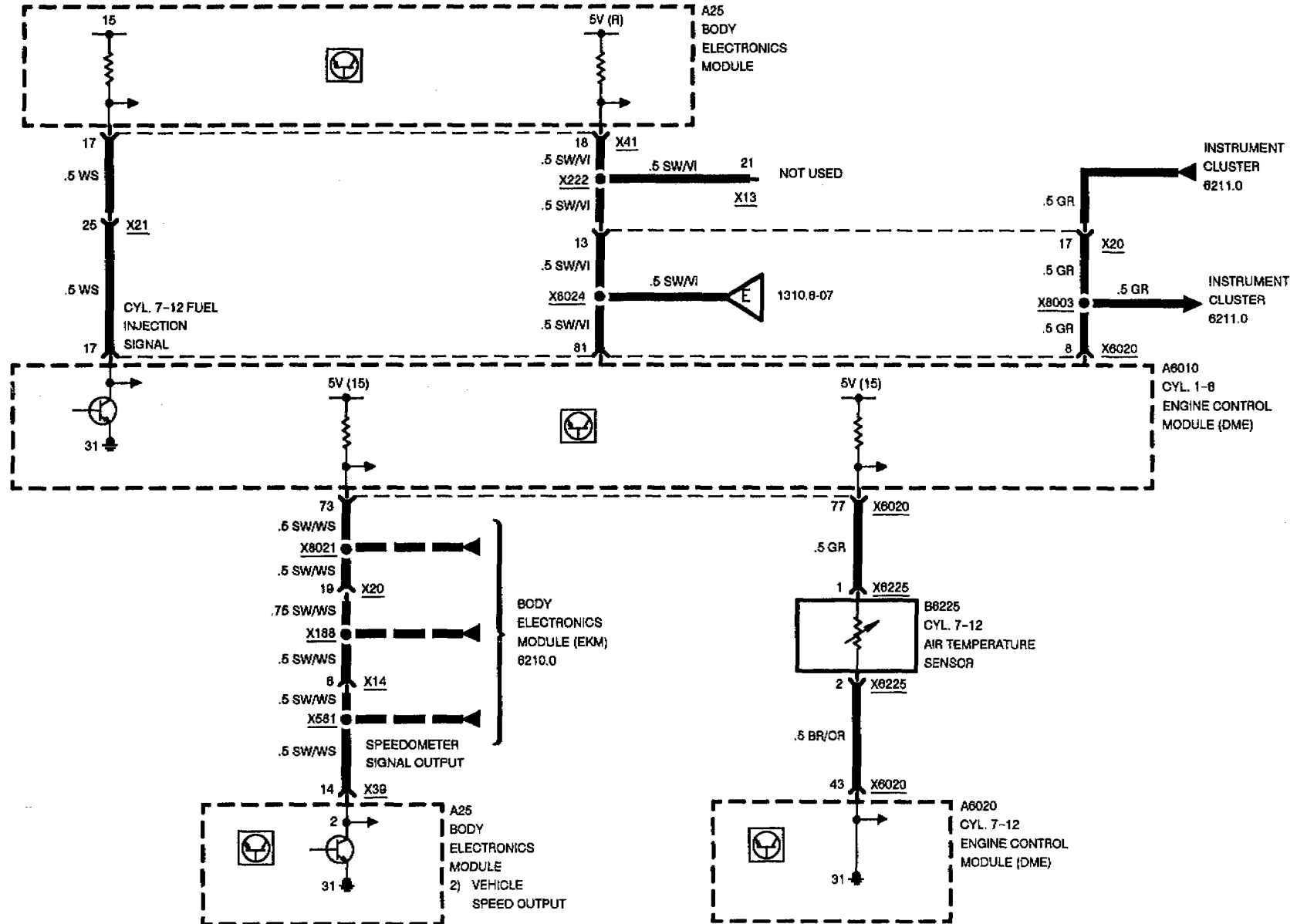
HOT IN RUN AND START





ENGINE CONTROL SYSTEM (DME M1.7, 12-CYLINDER M70)

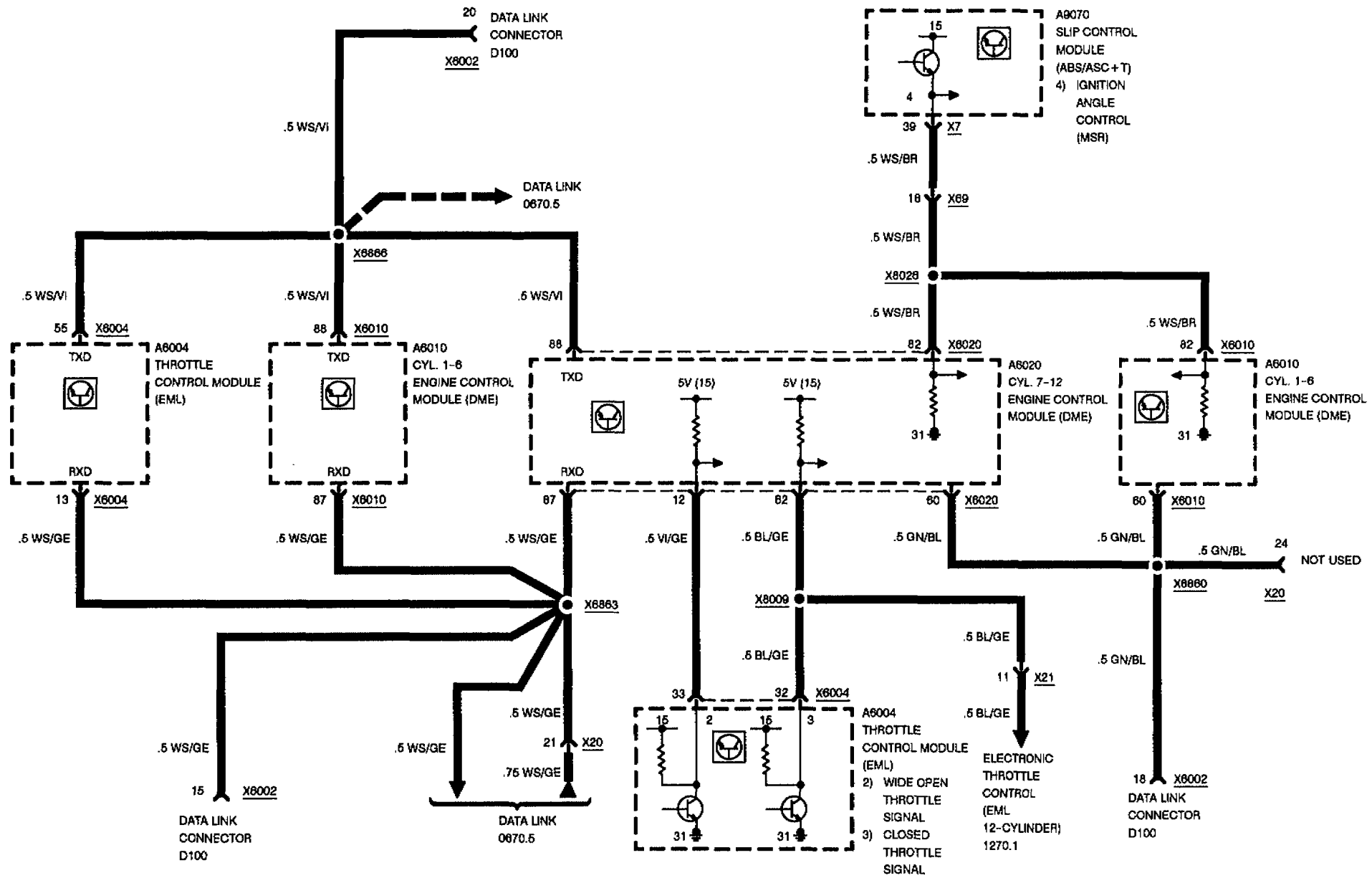
CYL. 7-12 ENGINE CONTROL MODULE



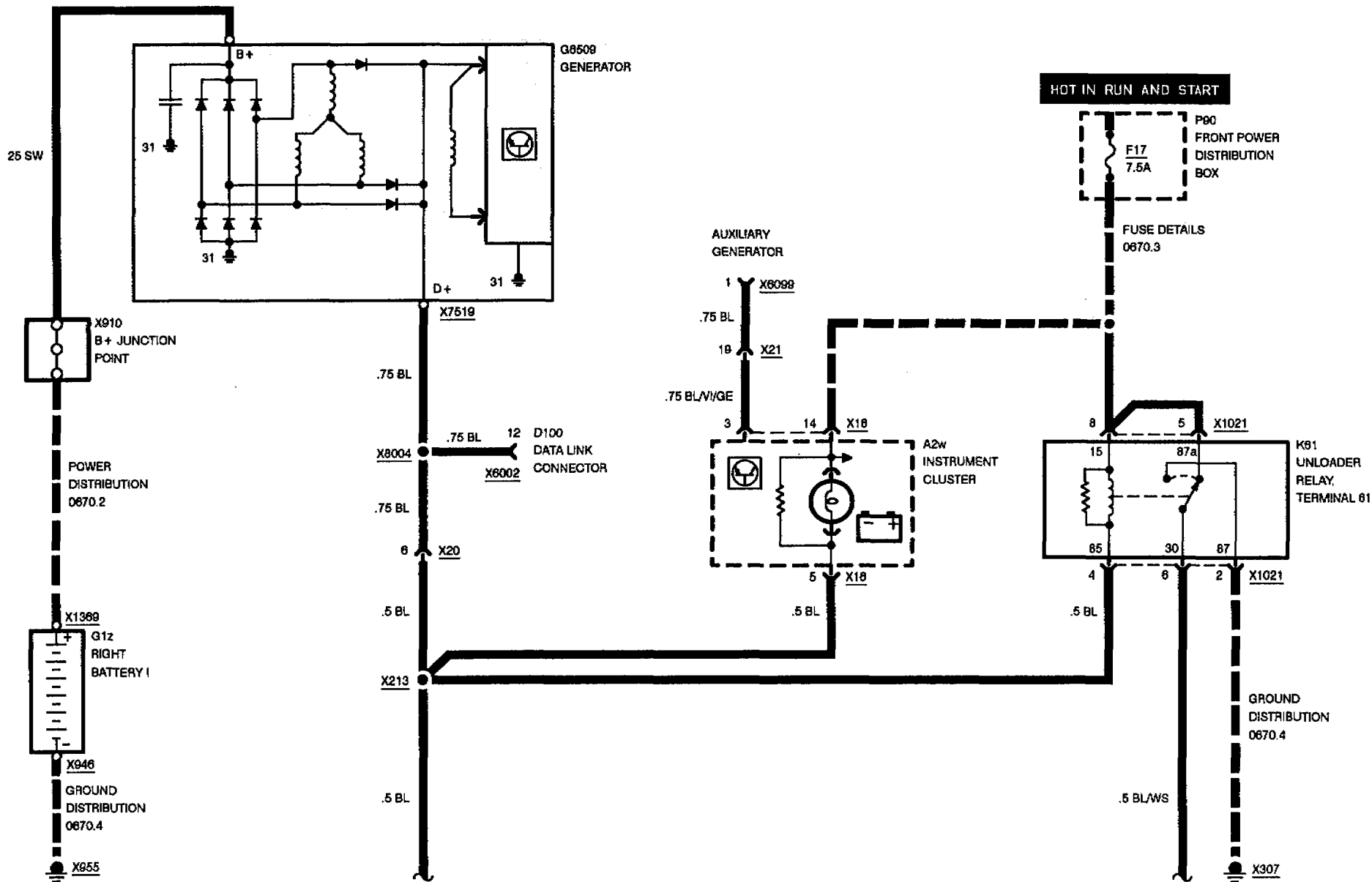


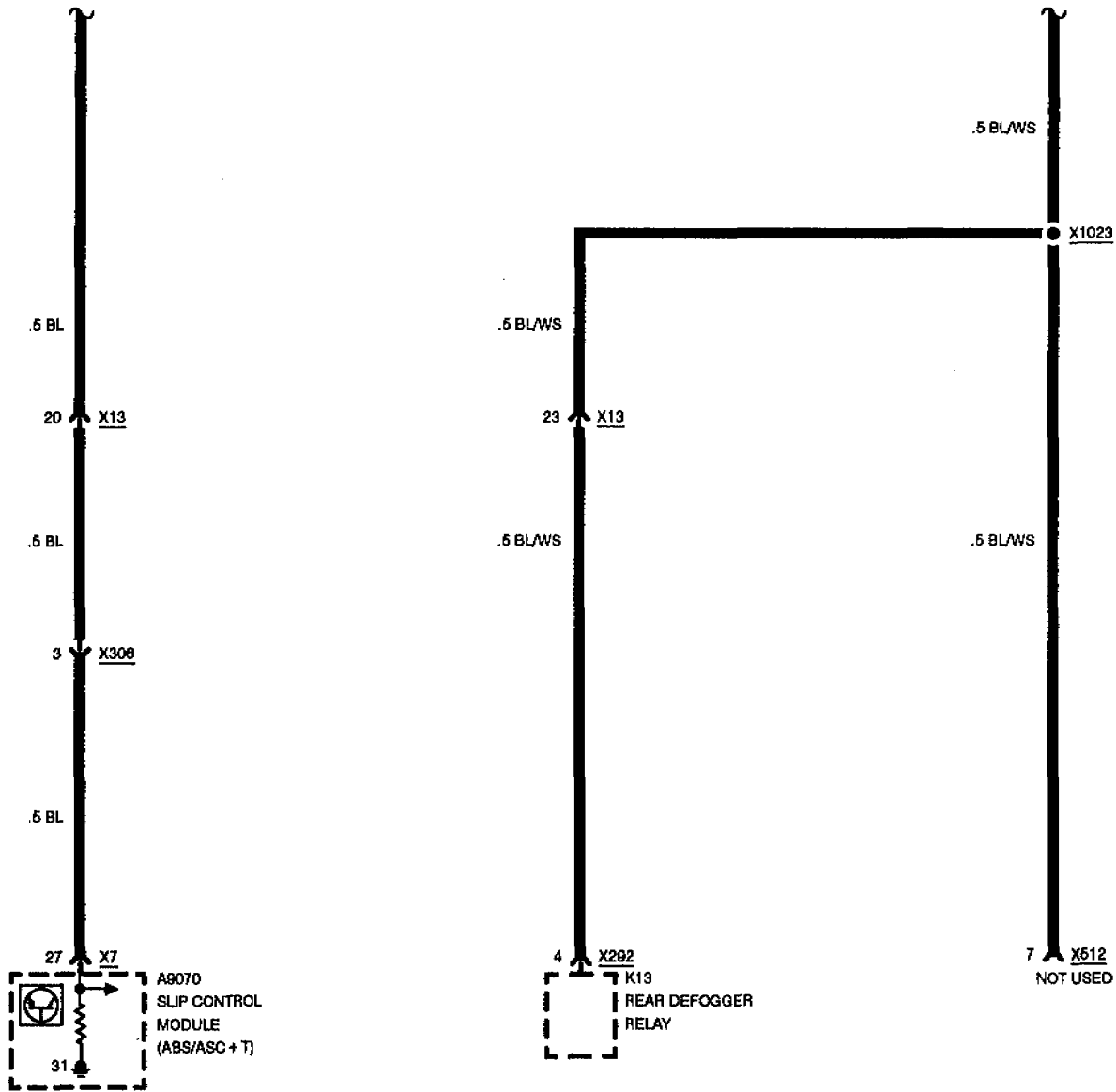
ENGINE CONTROL SYSTEM (DME M1.7, 12-CYLINDER M70)

CYL. 7-12 ENGINE CONTROL MODULE



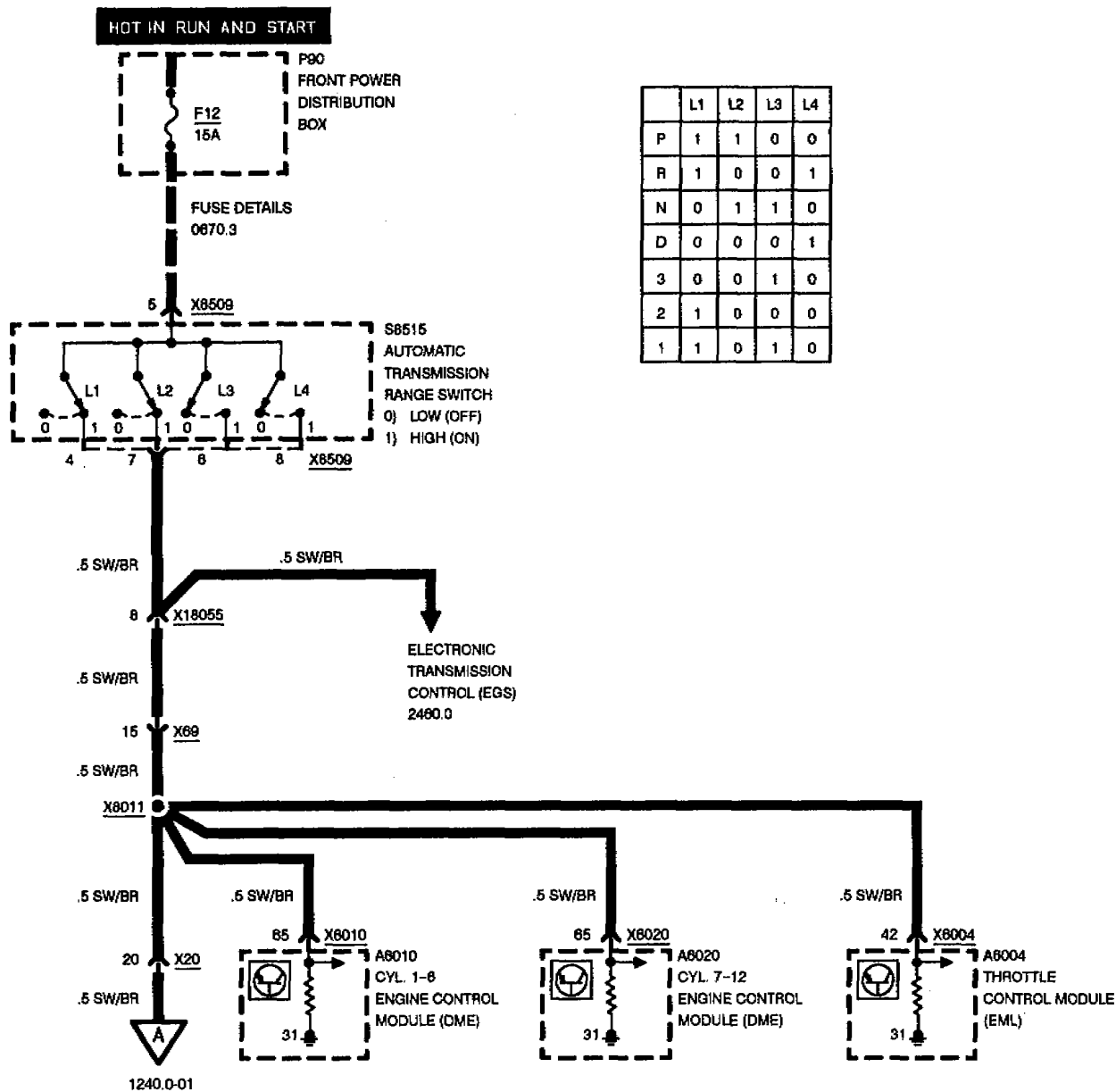
CHARGING SYSTEM



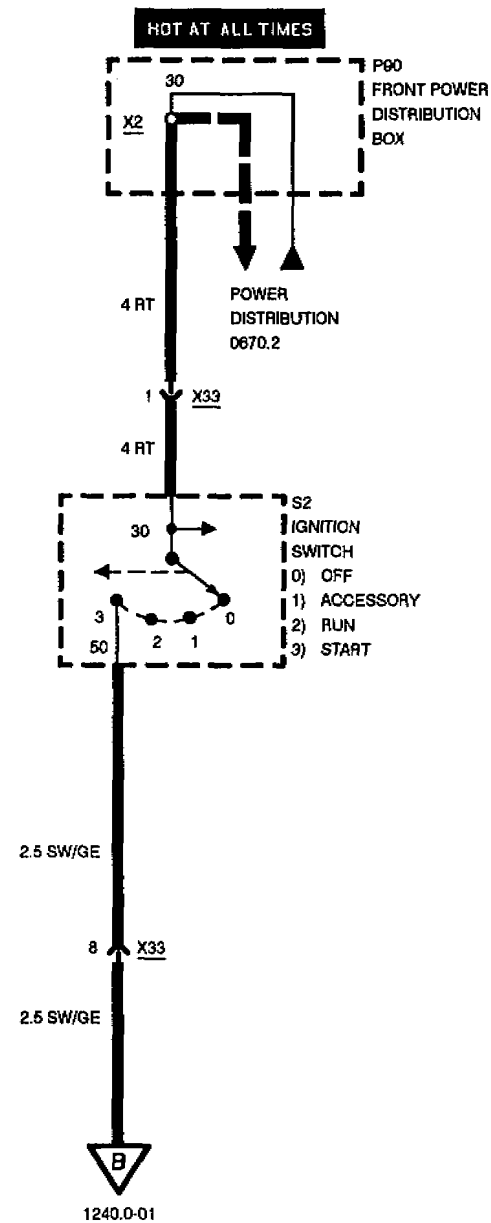




START

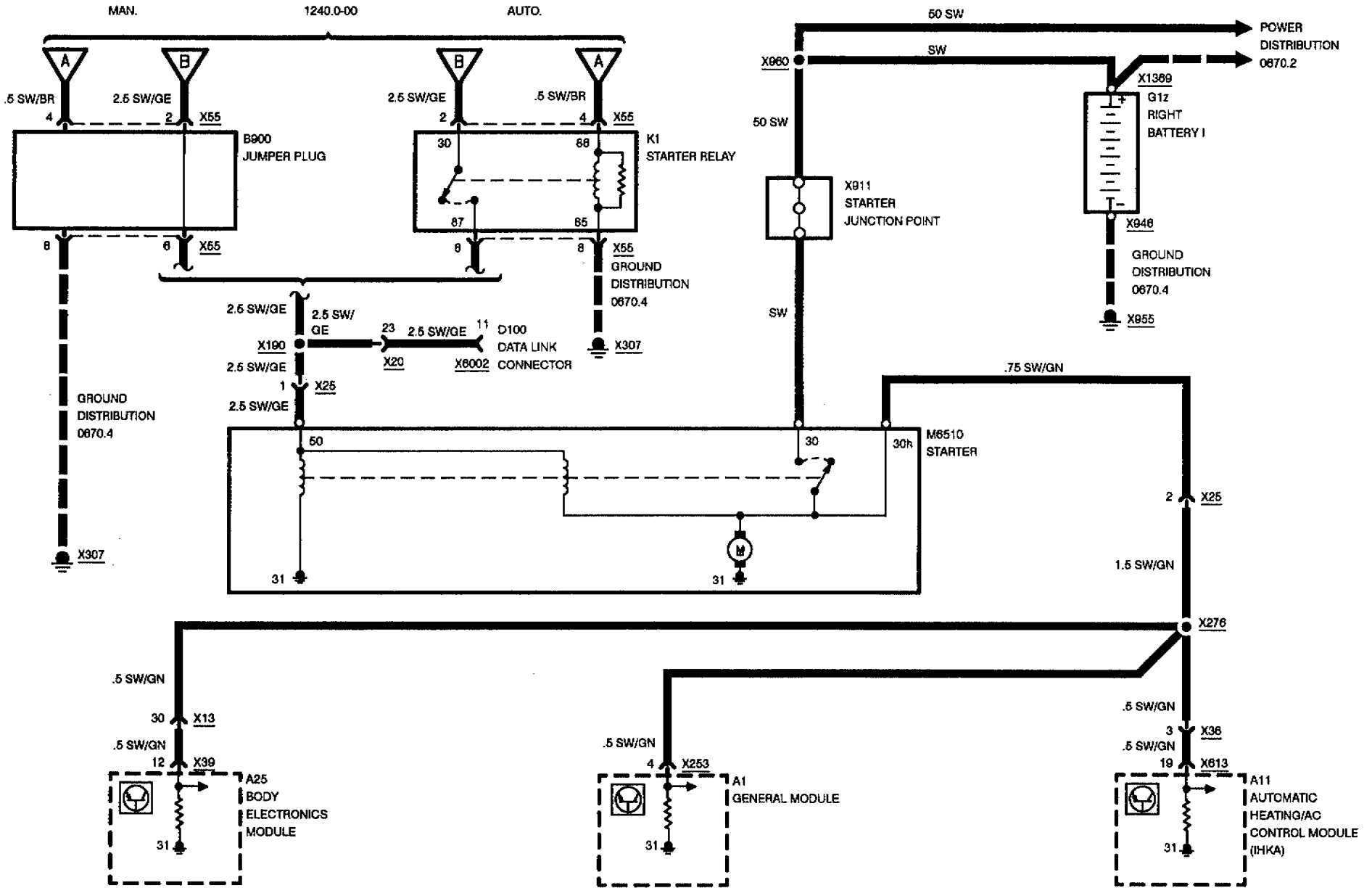


	L1	L2	L3	L4
P	1	1	0	0
R	1	0	0	1
N	0	1	1	0
D	0	0	0	1
3	0	0	1	0
2	1	0	0	0
1	1	0	1	0

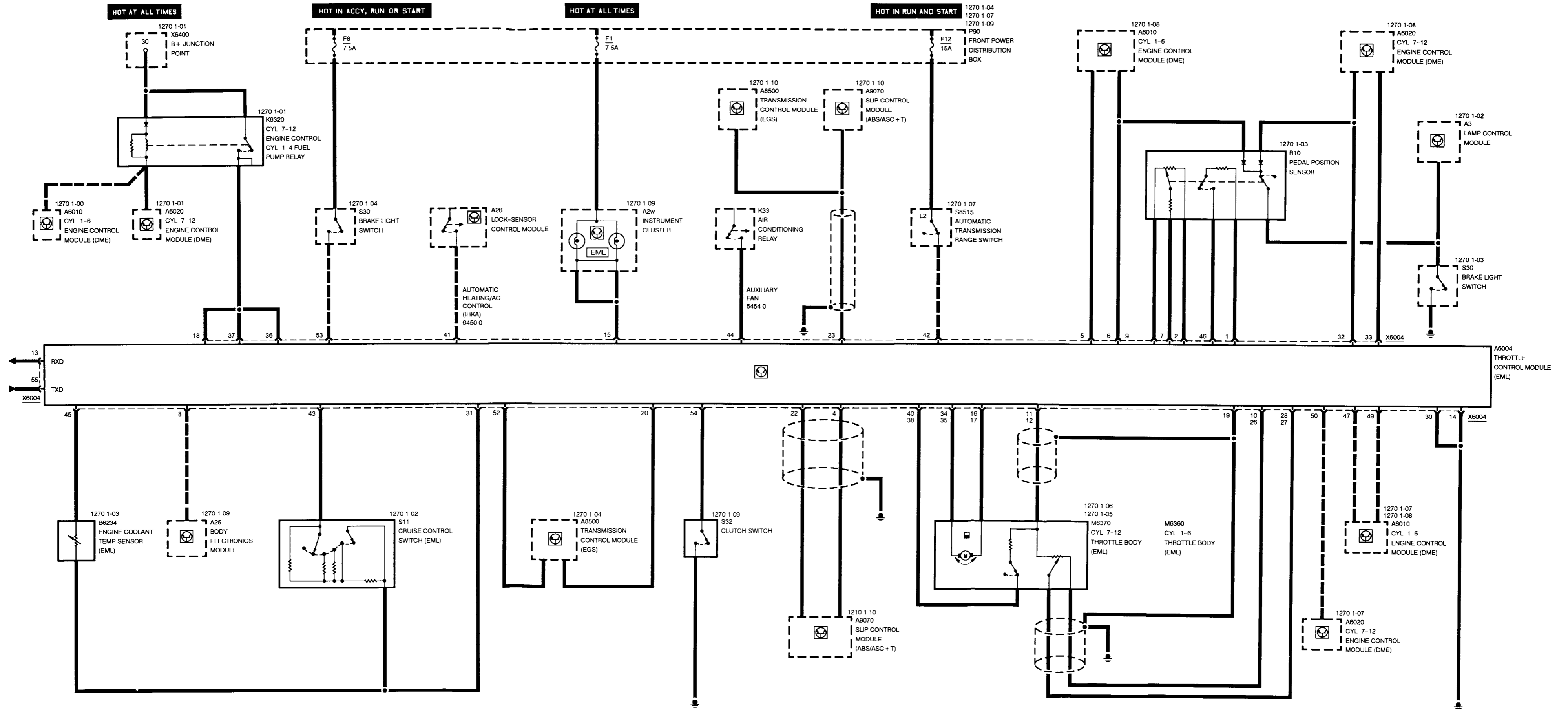


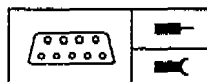


START







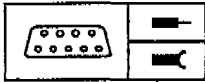


Pin Assignments

X6004

Pin	Type	Description/Function	Connection
1	A	5 V (not short-circuit-proof)	Pedal position sensor
2	M	Ground (electronic ground)	Pedal position sensor ground
3		Not used	
4	E	Throttle valve angle reduction (DKR)	ASC+T control unit
5	A	Wide open throttle signal	Cyl. 1-6 engine control module (DME)
6	A	Idle signal	Cyl. 1-6 engine control module (DME)
7	E	Pedal position	Pedal position sensor
8	E	Speedometer signal	Body electronics module (EKM)
9	A	5 V (not short-circuit-proof)	Pedal position sensor
10	M	Ground (electronic ground)	Component ground Cyl. 7-12 throttle body
11	A	5 V (not short-circuit-proof)	Cyl. 7-12 throttle body
12	A	5 V (not short-circuit-proof)	Cyl. 1-6 throttle body
13	A	RxD diagnostic data line	Data link connector
14	M	Ground (Output ground)	Output ground Cyl. 1-6 throttle body
15	A E	EML warning lamp Voltage supply for defect code memory	Instrument cluster
16	A	Throttle actuator (DK)	Cyl. 7-12 throttle body
17	A	Throttle actuator (DK)	Cyl. 1-6 throttle body
18	E	Voltage supply (+)	Cyl. 7-12 engine control module relay
19	M	Ground	Ground point
20	A	Kick-down signal	Transmission control module (EGS)
21		Not used	
22	E	Throttle valve angle increase (DKE)	ASC+T control unit
23	A	Throttle valve angle signal (DKV)	ASC+T and transmission (EGS) control modules
24		Not used	
25		Not used	
26	M	Ground (electronic ground)	Component ground Cyl. 1-6 throttle body
27	E	Throttle position	Cyl. 1-6 throttle body potentiometer

E = Input, A = Output, M = Ground



Pin Assignments

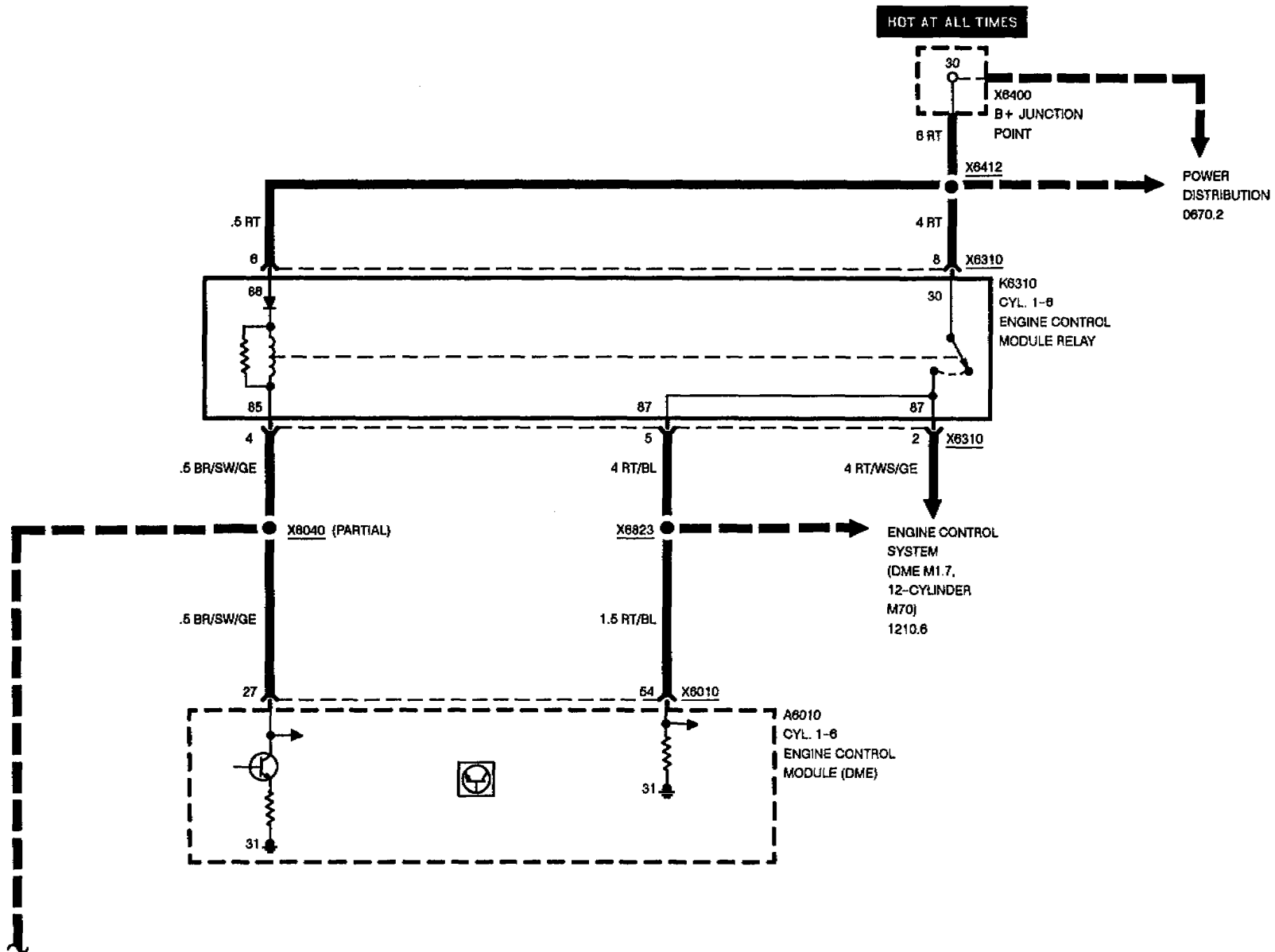
Pin	Type	Description/Function	Connection
28	E	Throttle position	Cyl. 7-12 throttle body potentiometer
29		Not used	
30	M	Ground (output ground)	Output ground Cyl. 7-12 throttle body
31	M	Ground (electronic ground)	Engine coolant temperature sensor (EML)
32	A	Idle signal	Cyl. 7-12 engine control module (DME)
33	A	Wide open throttle	Cyl. 7-12 engine control module (DME)
34	A	Throttle actuator (DK)	Cyl. 7-12 throttle body
35	A	Throttle actuator (DK)	Cyl. 1-6 throttle body
36	E	Voltage supply (+)	Cyl. 7-12 engine control module relay
37	E	Voltage supply (+)	Cyl. 7-12 engine control module relay
38	E	Throttle angle 17° switch	Cyl. 1-6 throttle body
39		Not Used	
40	E	Throttle angle 17° switch	Cyl. 7-12 throttle body
41	E	A/C compressor ON	Lock sensor control unit
42	E	Park/Neutral sensing	Automatic transmission range switch
43	E/A	Cruise control	Cruise control switch
44	E	A/C status signal	Air conditioning relay
45	E/A	Engine coolant temperature	Engine coolant temperature sensor (EML)
46	E	Pedal position sensor 9° switch	Pedal position sensor
47	E	Engine speed signal (TD)	Cyl. 1-6 engine control module (DME)
48		Not Used	
49	E	Injection signal (ti)	Cyl. 1-6 engine control module (DME)
50	E	Injection signal (ti)	Cyl. 1-6 engine control module (DME)
51		Not Used	
52	E	S-program identifier (EGS)	Transmission control module (EGS)
53	E	Brake pedal position	Brake light switch
54	E	Clutch pedal position	Clutch switch
55	E/A	TxD diagnostic data line	Data link connector

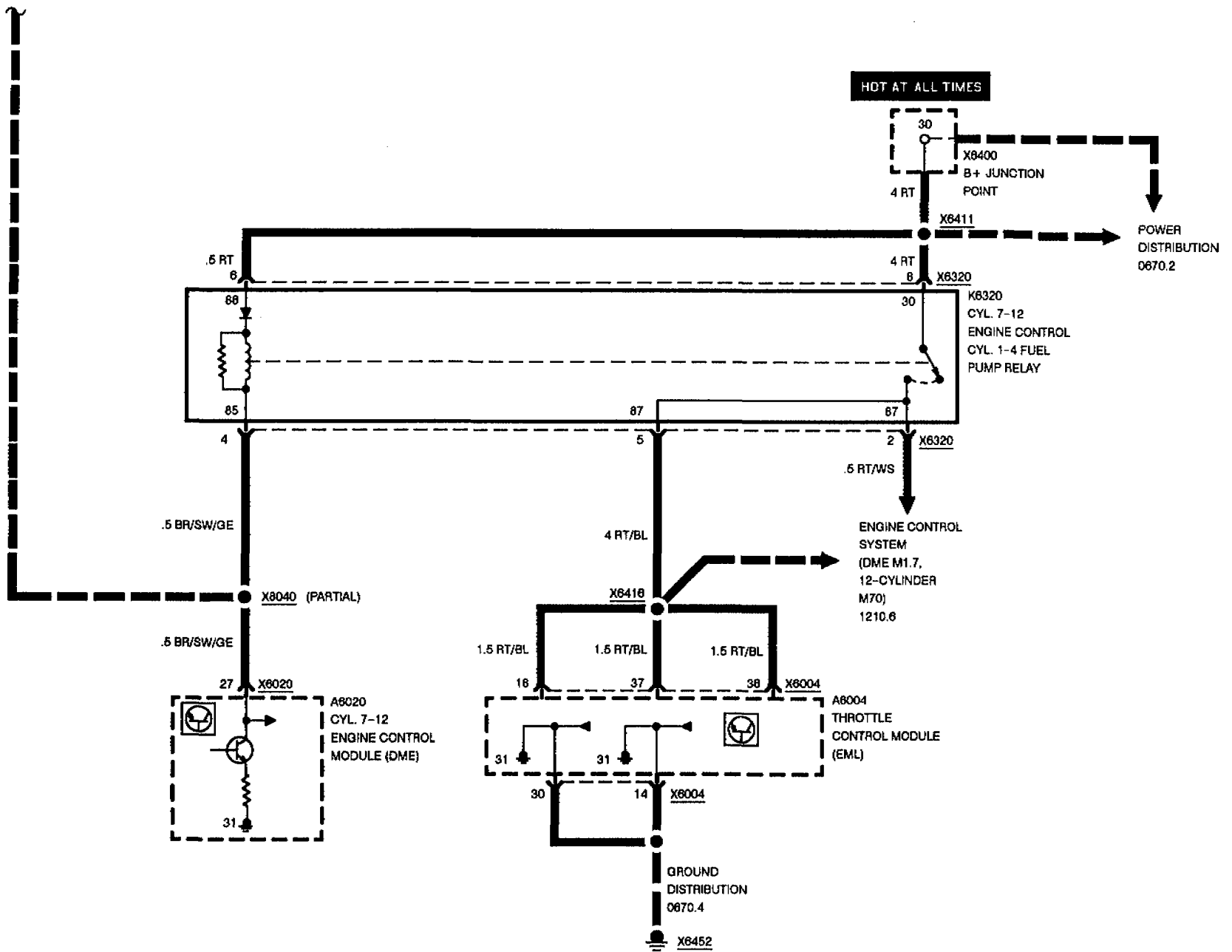
E = Input, A = Output, M = Ground





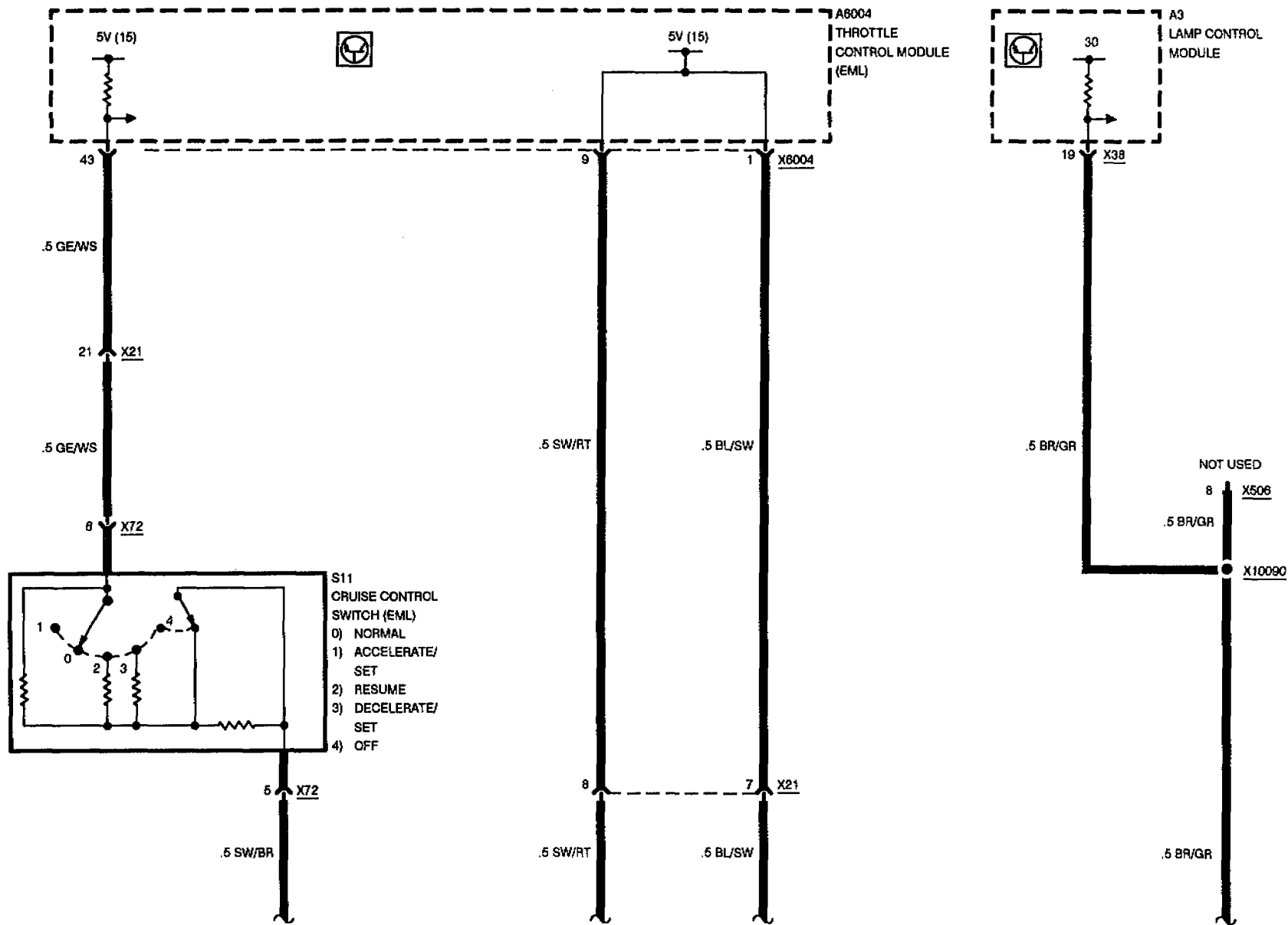
ELECTRONIC THROTTLE CONTROL (EML 12-CYLINDER)

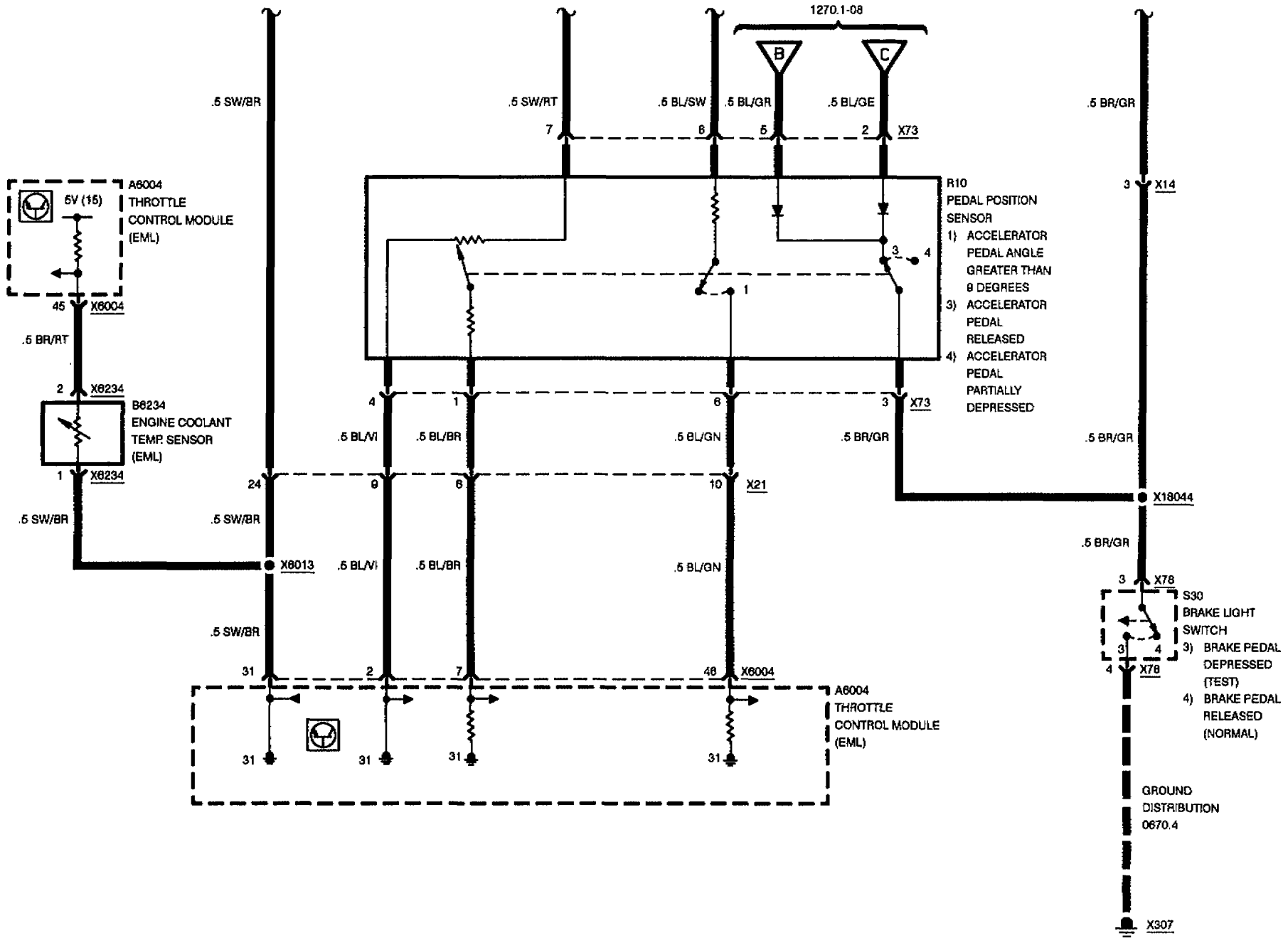






ELECTRONIC THROTTLE CONTROL (EML 12-CYLINDER)

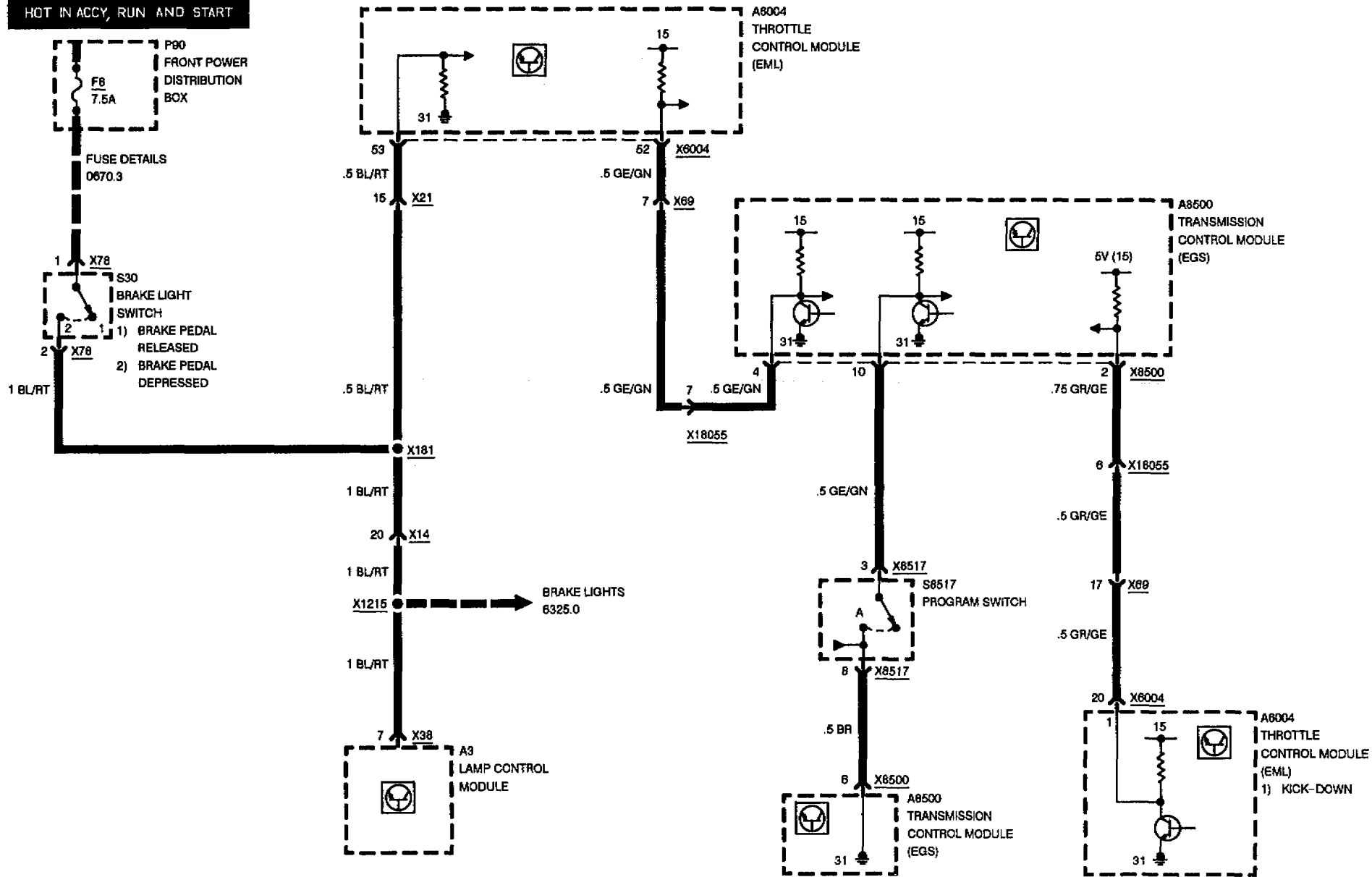






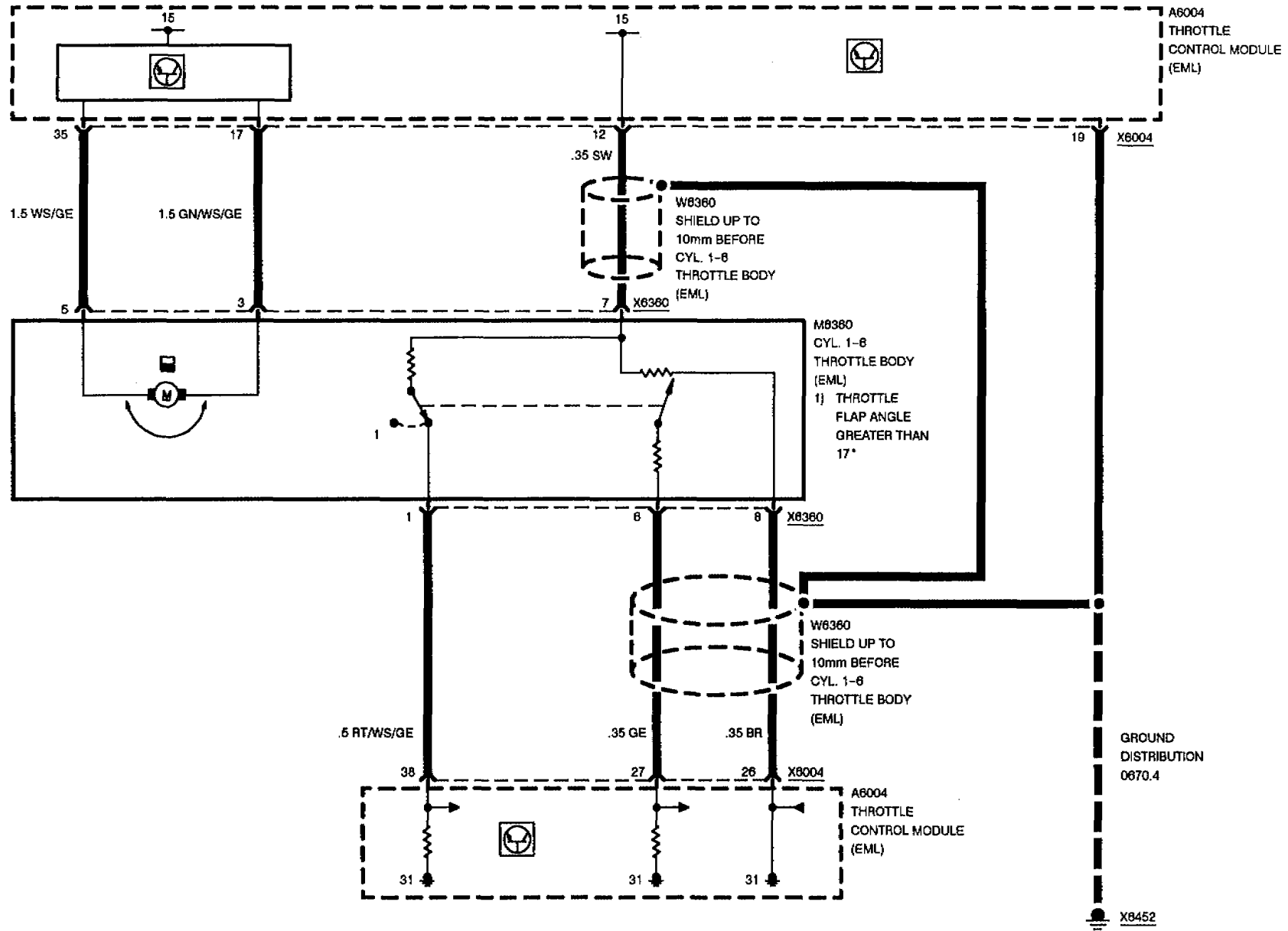
ELECTRONIC THROTTLE CONTROL (EML 12-CYLINDER)

HOT IN ACCY, RUN AND START



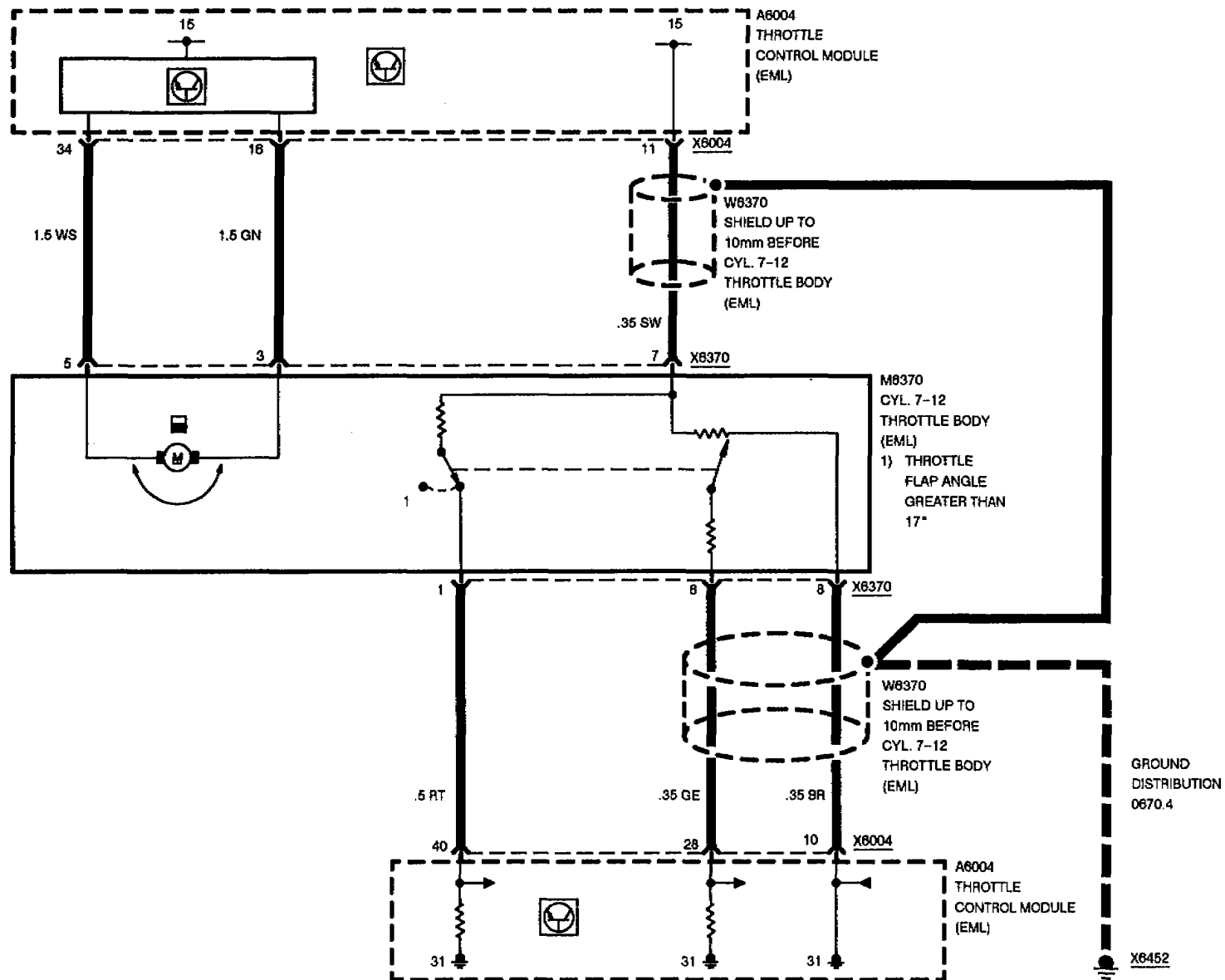


ELECTRONIC THROTTLE CONTROL (EML 12-CYLINDER)



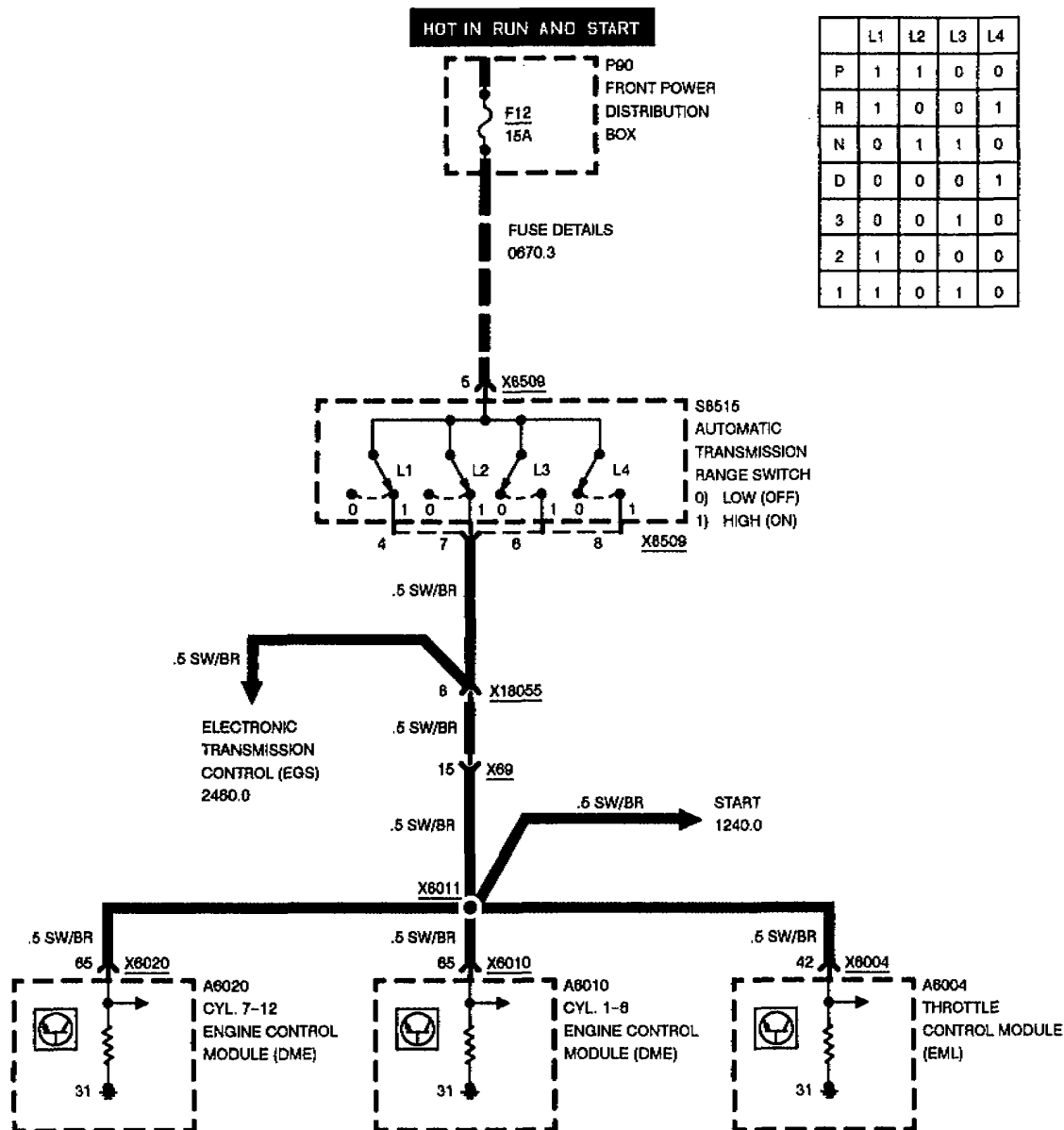


ELECTRONIC THROTTLE CONTROL (EML 12-CYLINDER)

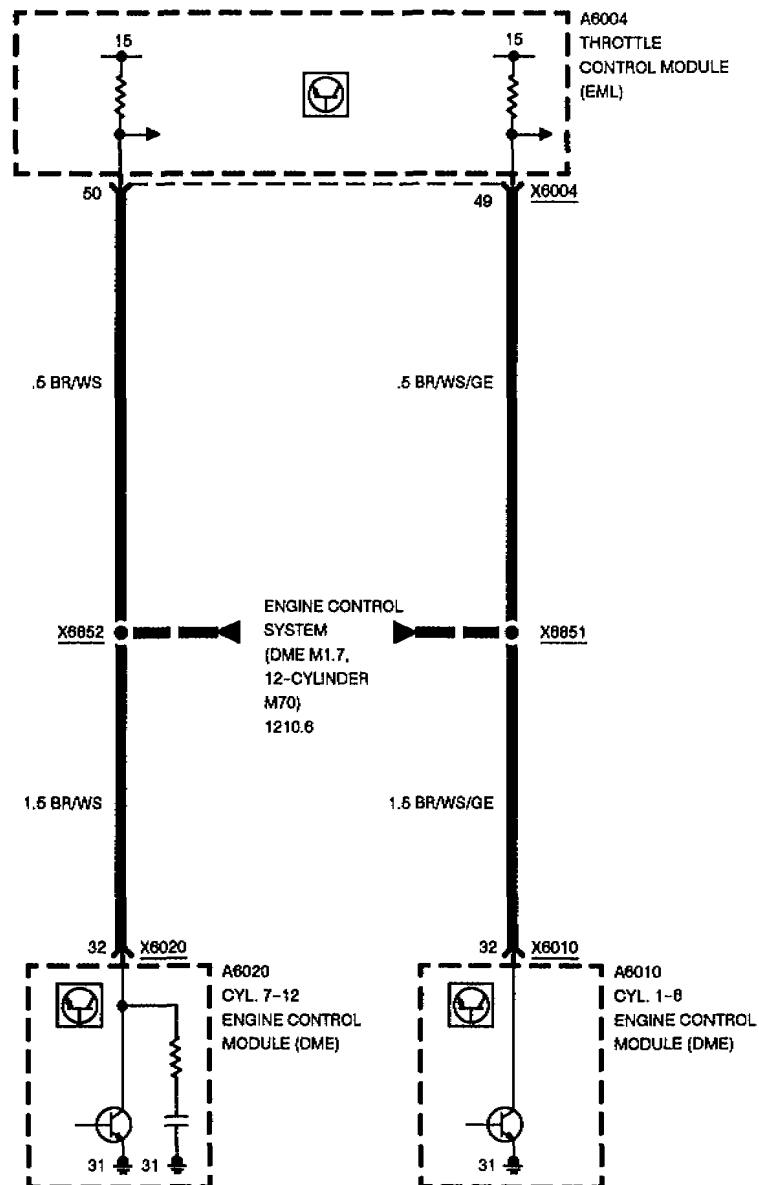




ELECTRONIC THROTTLE CONTROL (EML 12-CYLINDER)

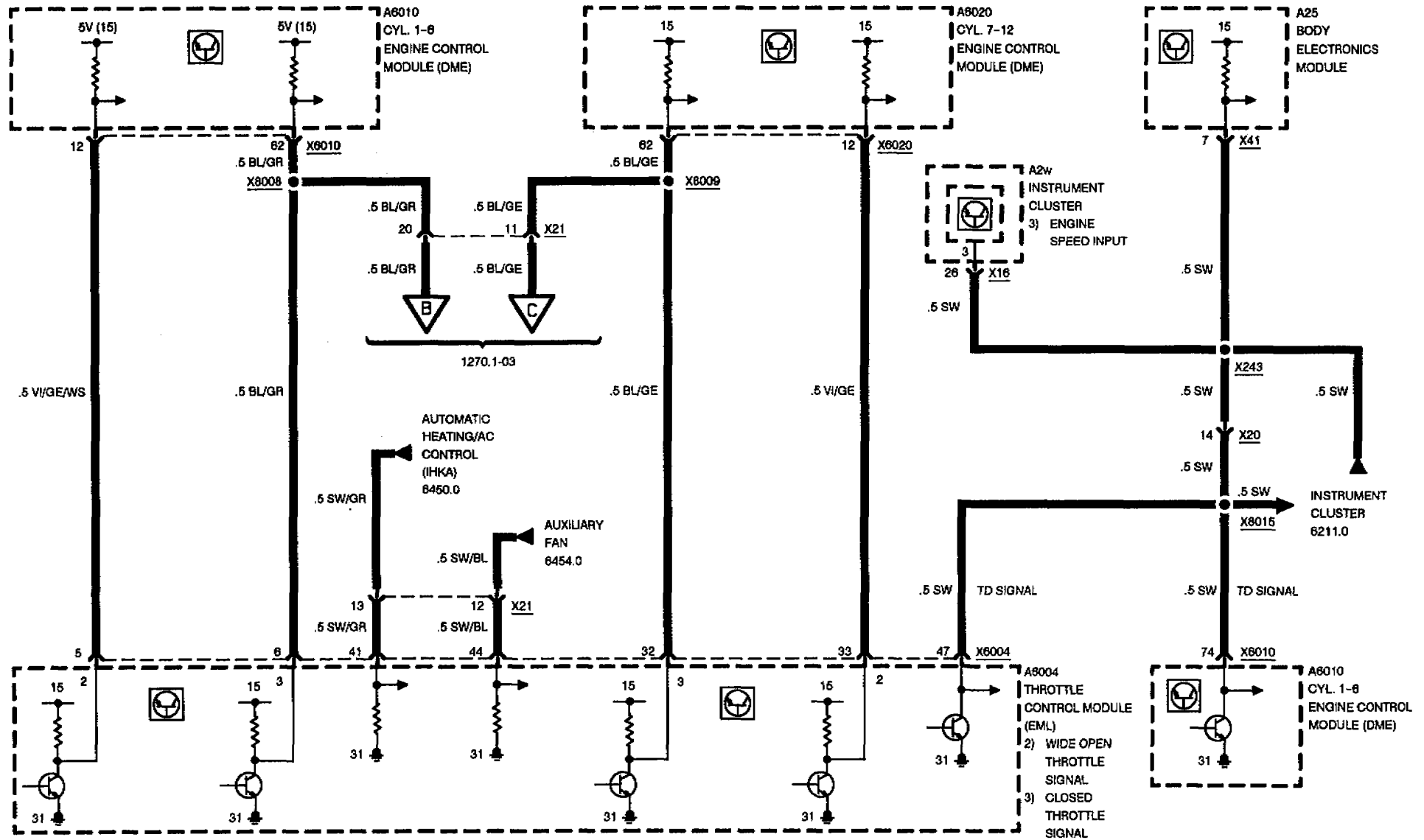


	L1	L2	L3	L4
P	1	1	0	0
R	1	0	0	1
N	0	1	1	0
D	0	0	0	1
3	0	0	1	0
2	1	0	0	0
1	1	0	1	0



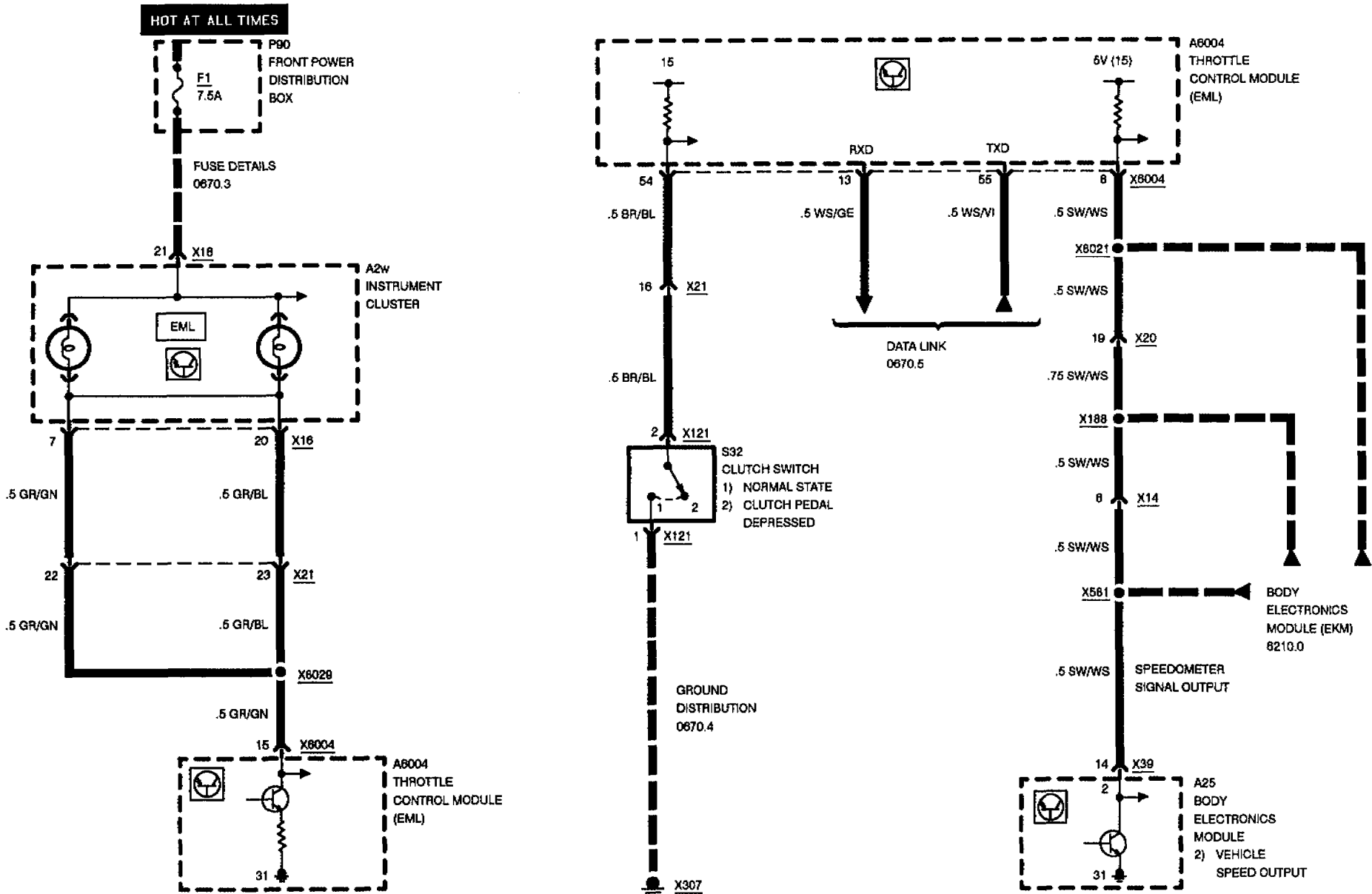


ELECTRONIC THROTTLE CONTROL (EML 12-CYLINDER)





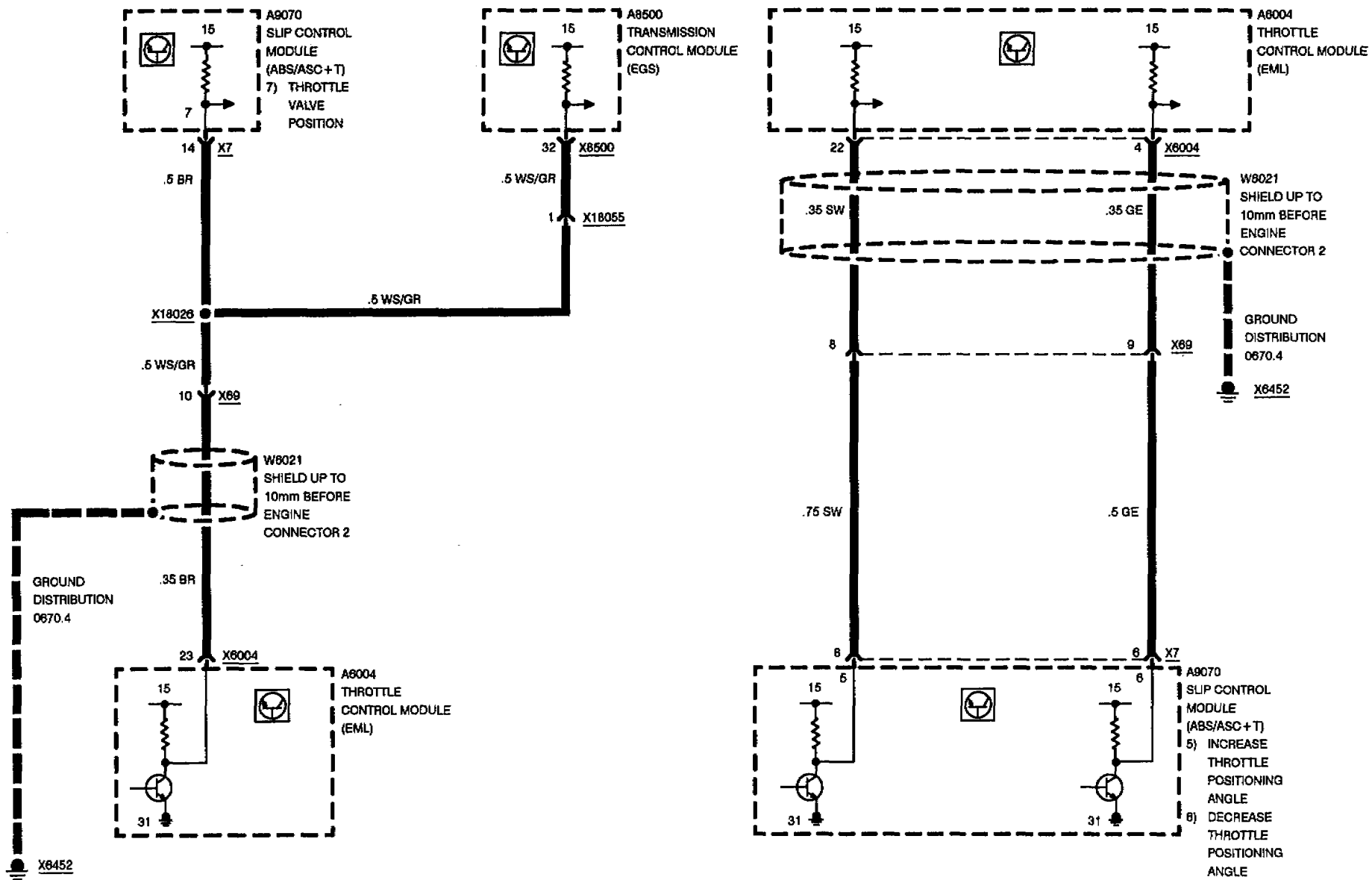
ELECTRONIC THROTTLE CONTROL (EML 12-CYLINDER)





ELECTRONIC THROTTLE CONTROL (EML 12-CYLINDER)

EML INTERFACE

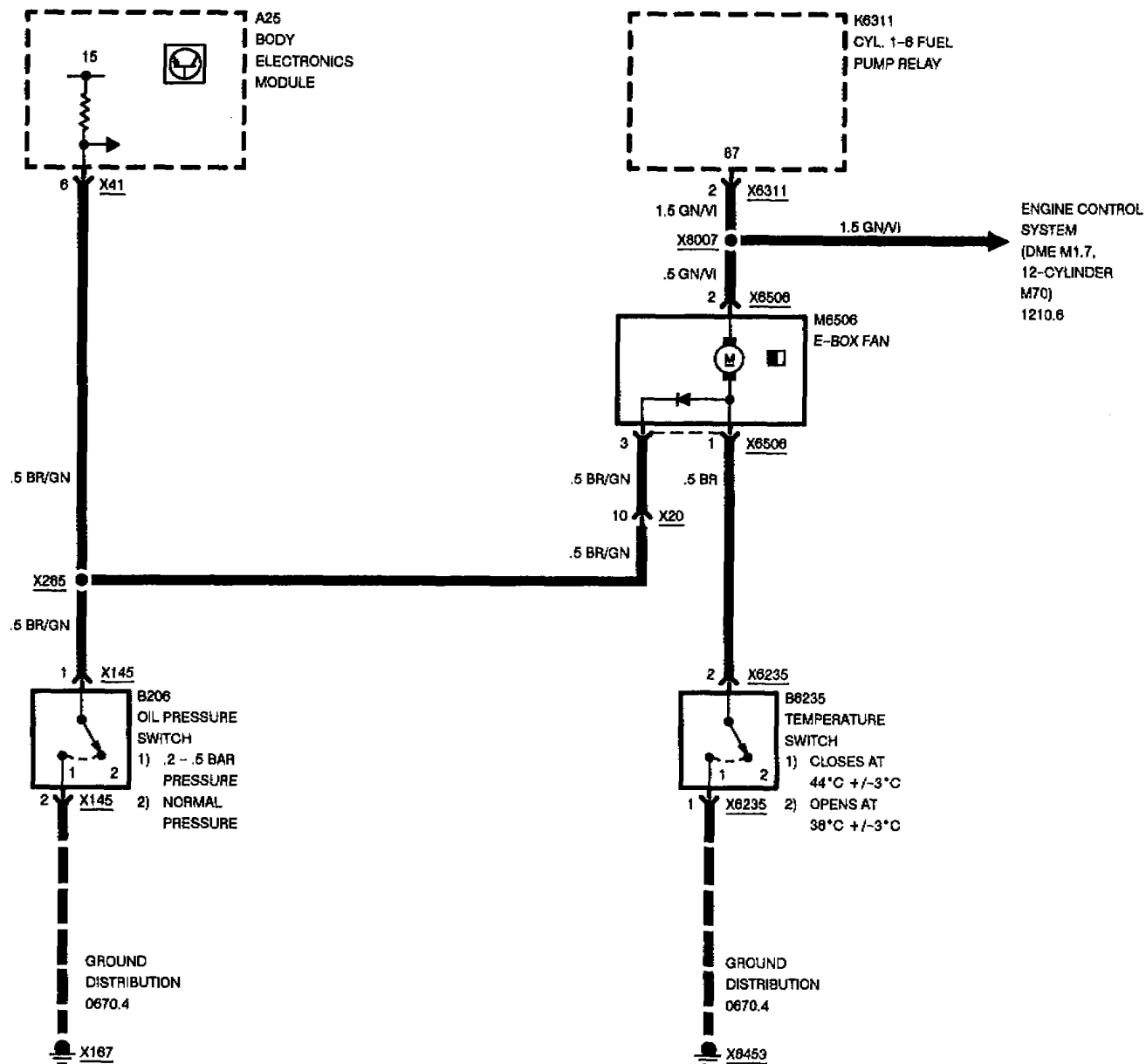


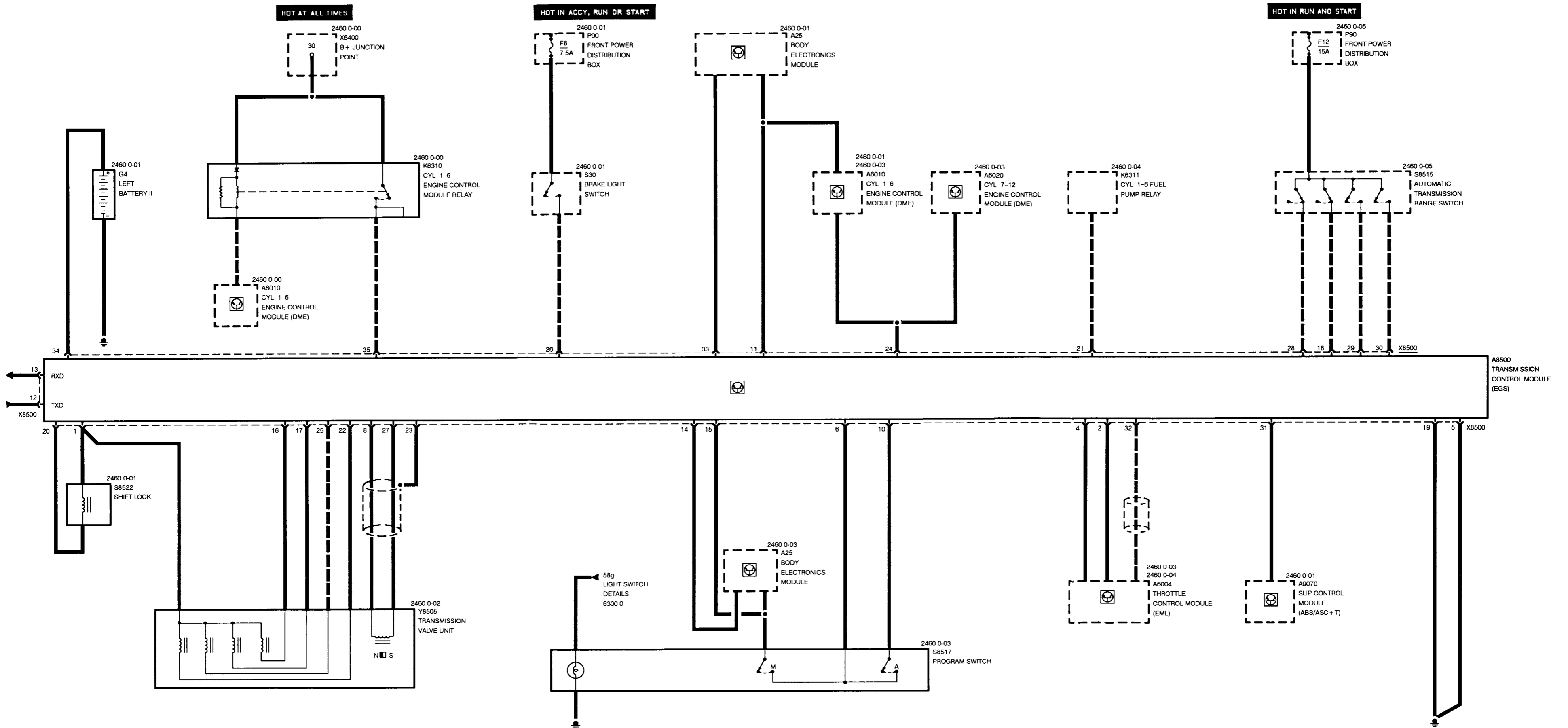
BMW
8

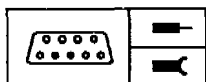
1290.0



E-BOX FAN





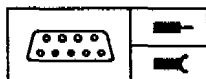


Pin Assignments

X8500

Pin	Type	Description/Function	Connection
1	A	Voltage supply, solenoid valves and pressure regulator	Transmission gearshift, shiftlock
2	E	Kick-Down	Electronic throttle control module (EML)
3		Not used	
4	E/A	S-Program identifier	Electronic throttle control module (EML)
5	M	Ground	Ground point
6	M	Ground, program switch	Program switch
7		Not used	
8	E	Output speed (+)	Transmission gearshift
9		Not used	
10	E	A-program	Program switch
11	E	Injection signal (ti)	Body electronics module (EKM)
12	E/A	TxD diagnostic data link	Data link connector
13	A	RxD diagnostic data link	Data link connector
14	E/A		Body electronics module (EKM)
15	E/A	M-program	Program switch, Body electronics module (EKM)
16	A	Solenoid valve 1	Transmission gearshift
17	A	Solenoid valve 2	Transmission gearshift
18	E	Position switch L1	Automatic transmission range switch
19	M	Ground, pressure regulator and solenoid valves	Ground point
20	A	Unlock shift lever	Shift lock
21	E	Engine speed (TR signal)	Cyl. 1-6 fuel pump relay
22	A	Pressure regulator solenoid valve	Transmission gearshift
23	M	Speed sensor shield ground	Speed sensor shield
24	A	Engine intervention	Engine control modules (DME)
25	A	Torque converter clutch solenoid valve	Transmission gearshift
26	E	Brake pedal position	Brake light switch
27	E	Output speed (-)	Transmission gearshift
28	E	Position switch L2	Automatic transmission range switch

E = Input, A = Output, M = Ground



Pin Assignments

Pin	Type	Description/Function	Connection
29	E	Position switch L3	Automatic transmission range switch
30	E	Position switch L4	Automatic transmission range switch
31	E	ASC active	ASC + T control unit
32	E	Throttle position	Electronic throttle control module (EML)
33	A	Fault display	Body electronics module (EKM)
34	E	Battery voltage	Battery (+)
35	E	Voltage supply	Cyl. 1-6 engine control module relay

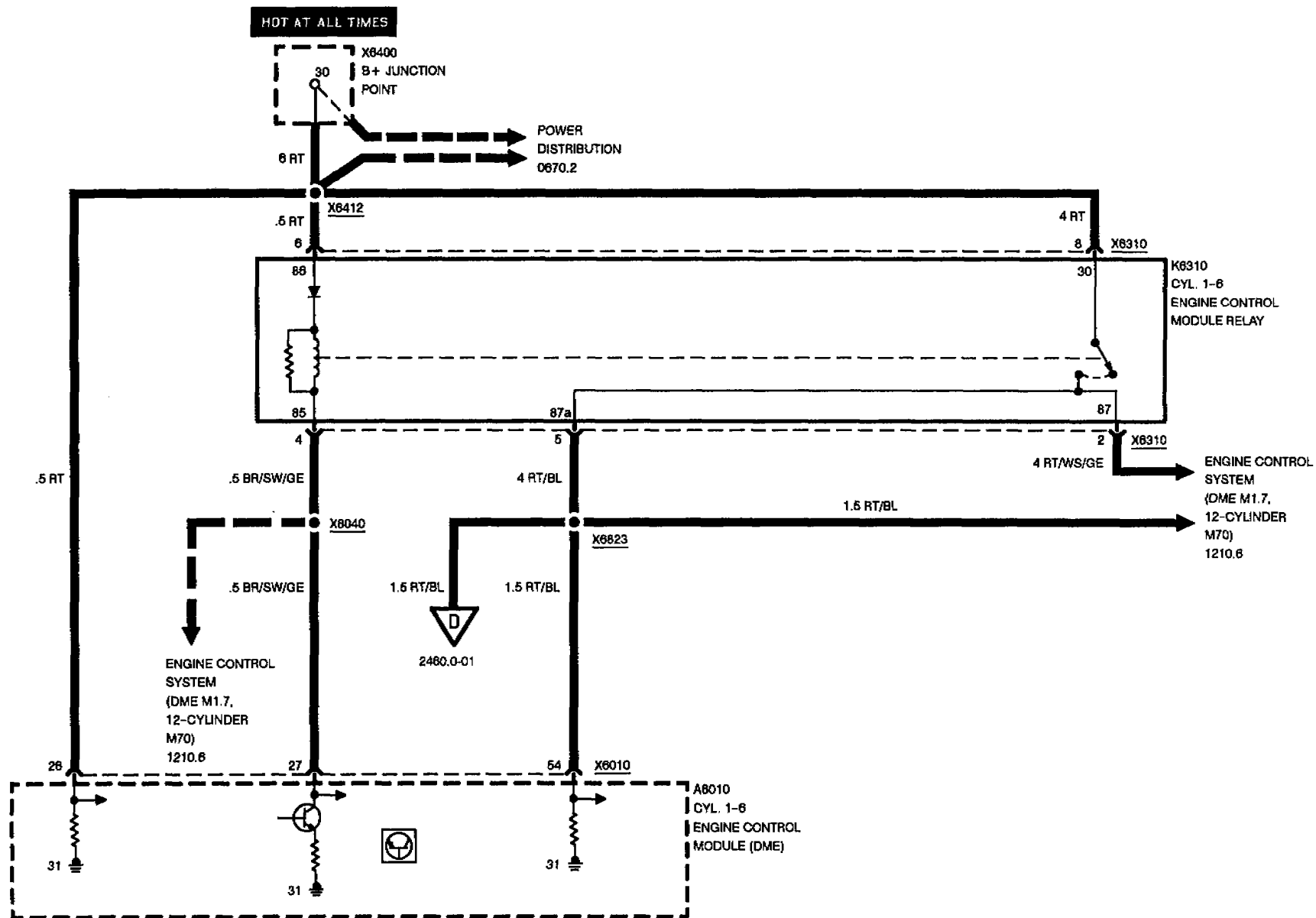
E = Input, A = Output, M = Ground

BMW
8

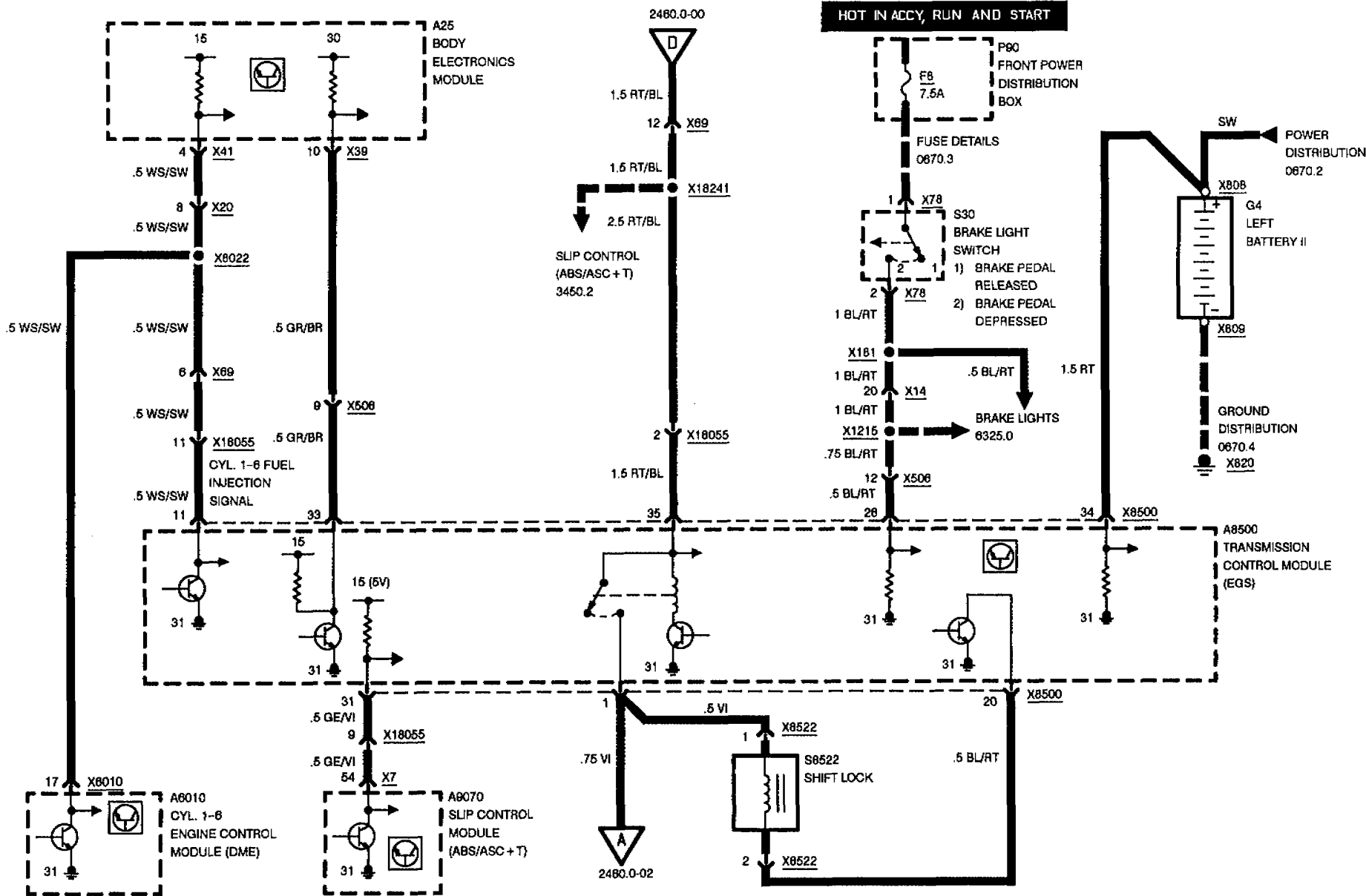
2460.0



ELECTRONIC TRANSMISSION CONTROL (EGS)

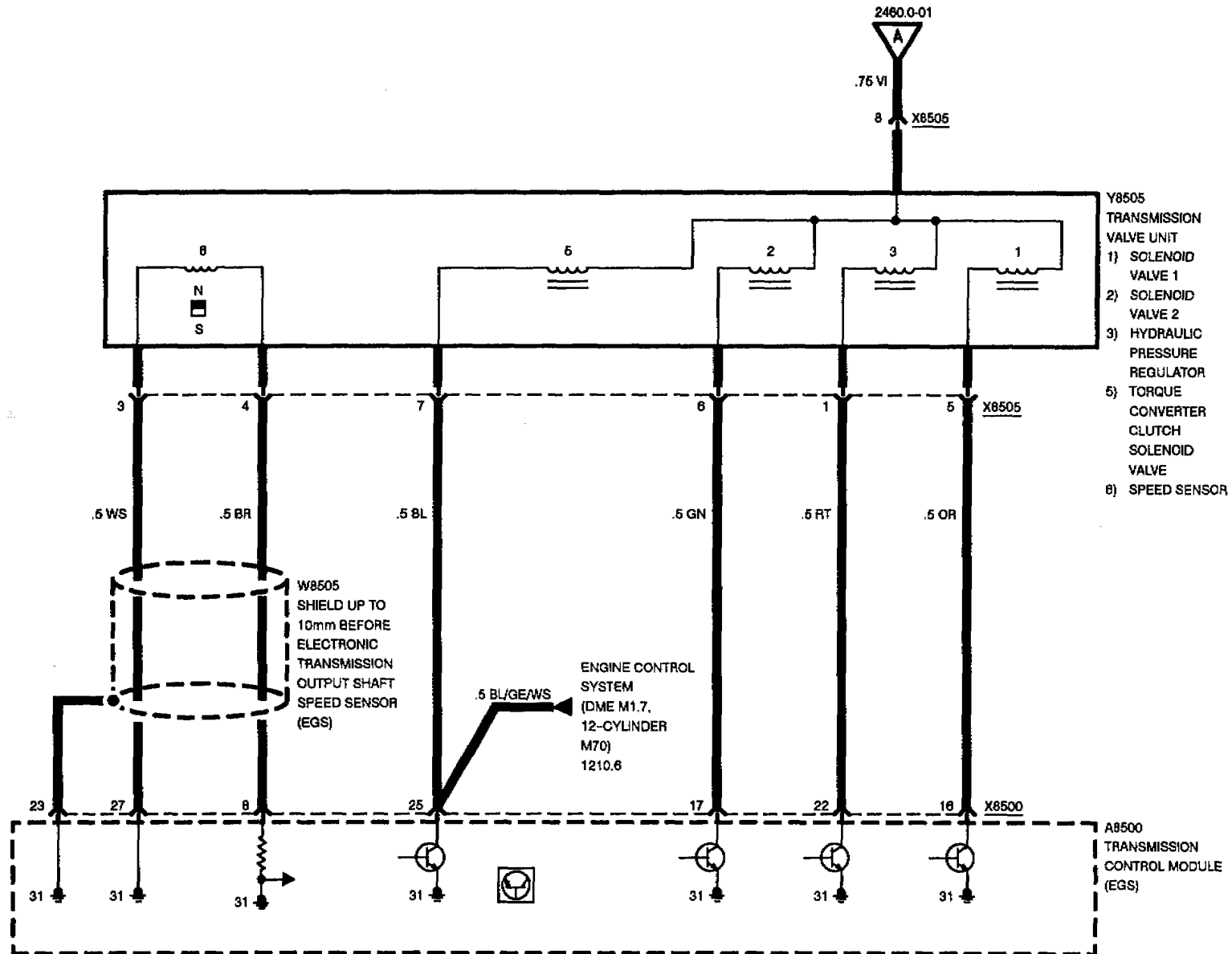


ELECTRONIC TRANSMISSION CONTROL (EGS)



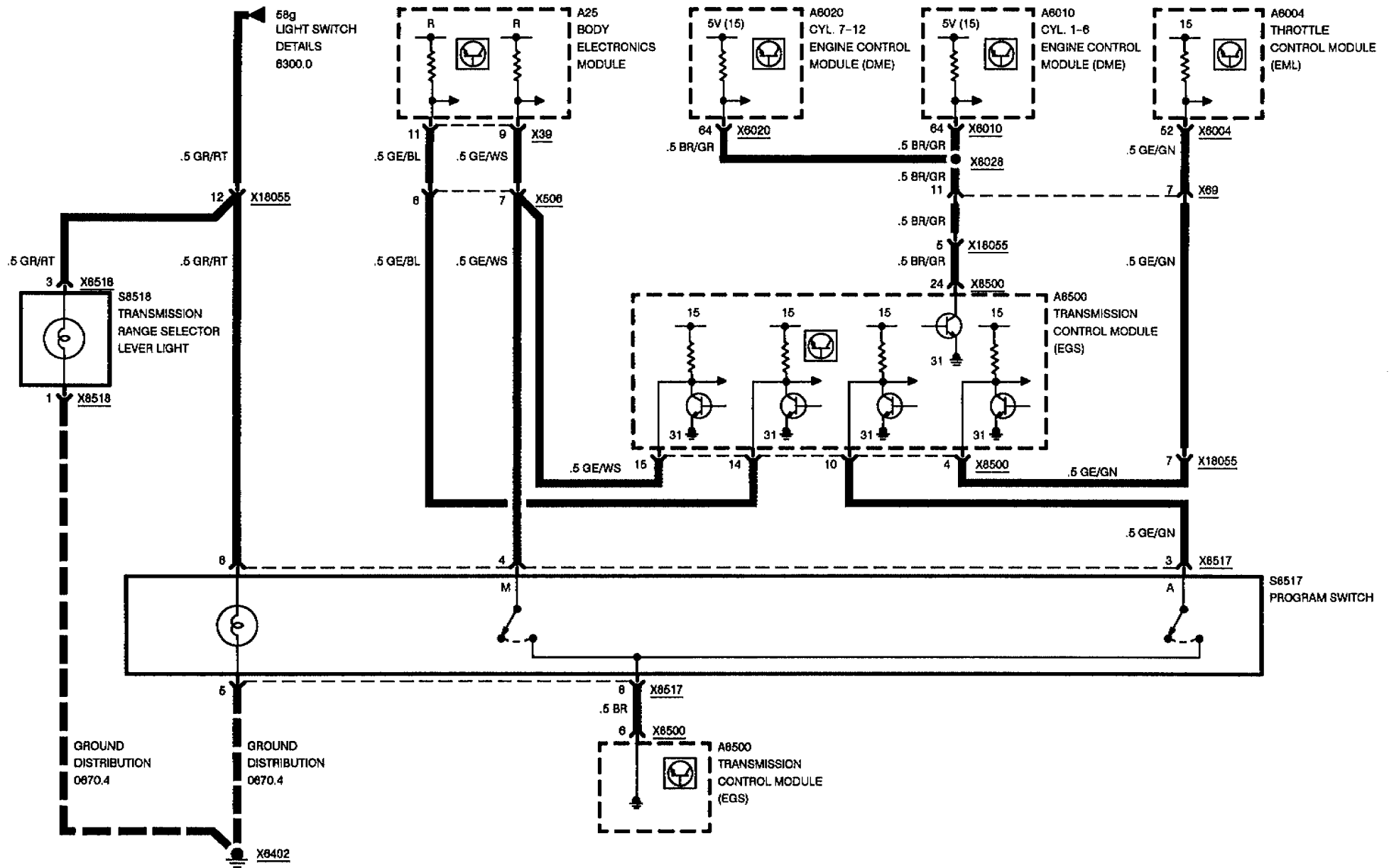


ELECTRONIC TRANSMISSION CONTROL (EGS)

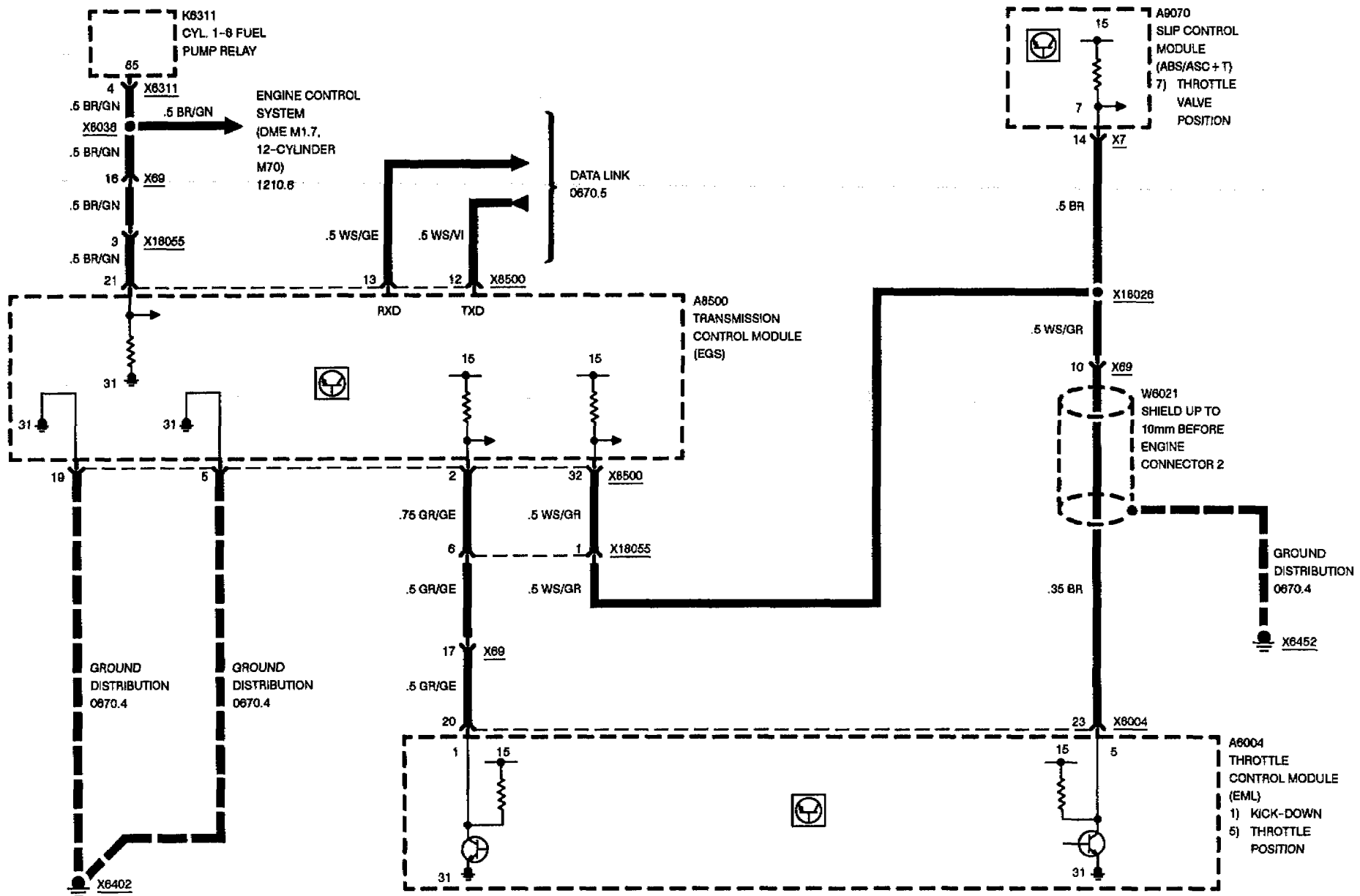




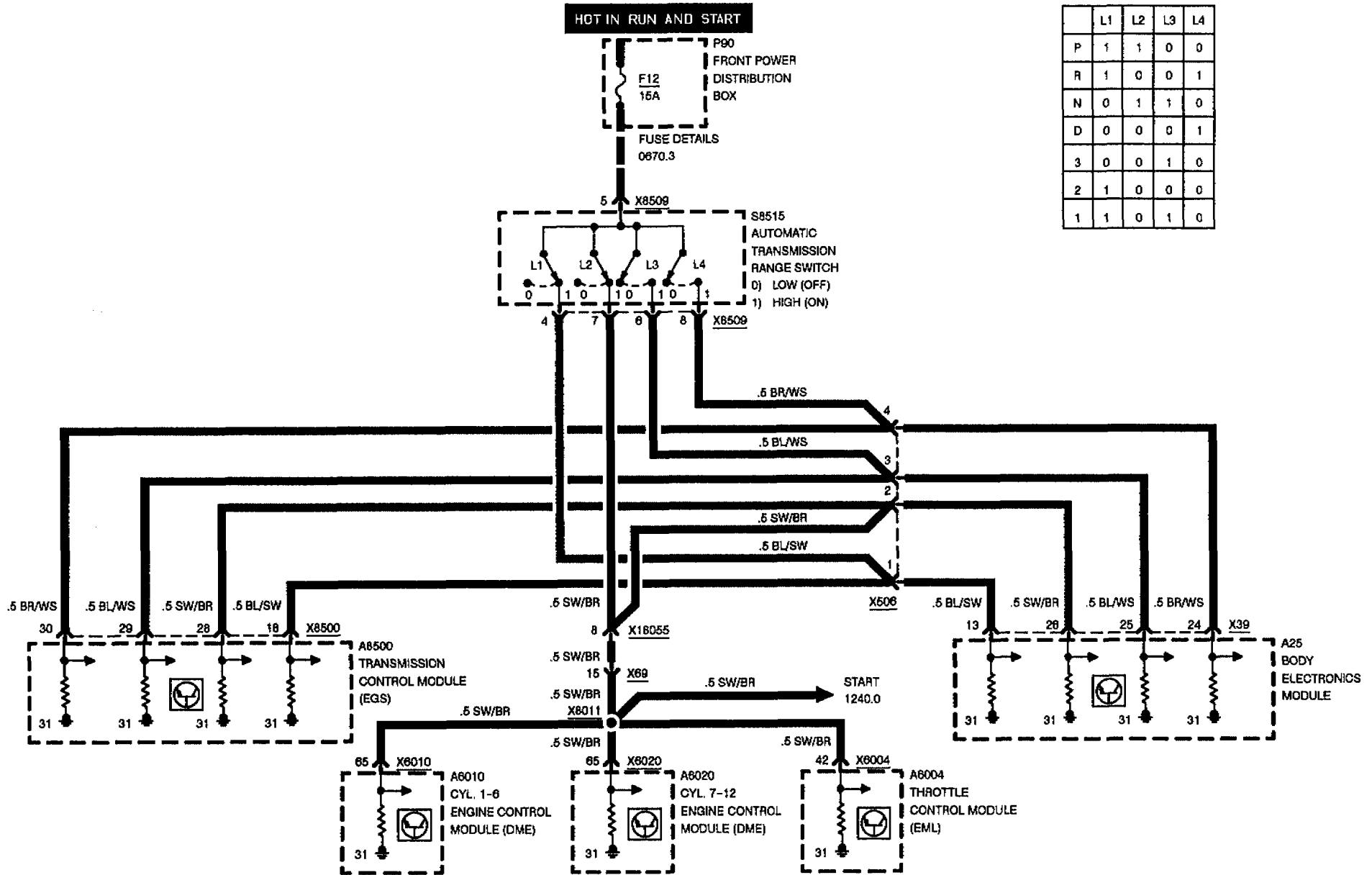
ELECTRONIC TRANSMISSION CONTROL (EGS)



ELECTRONIC TRANSMISSION CONTROL (EGS)

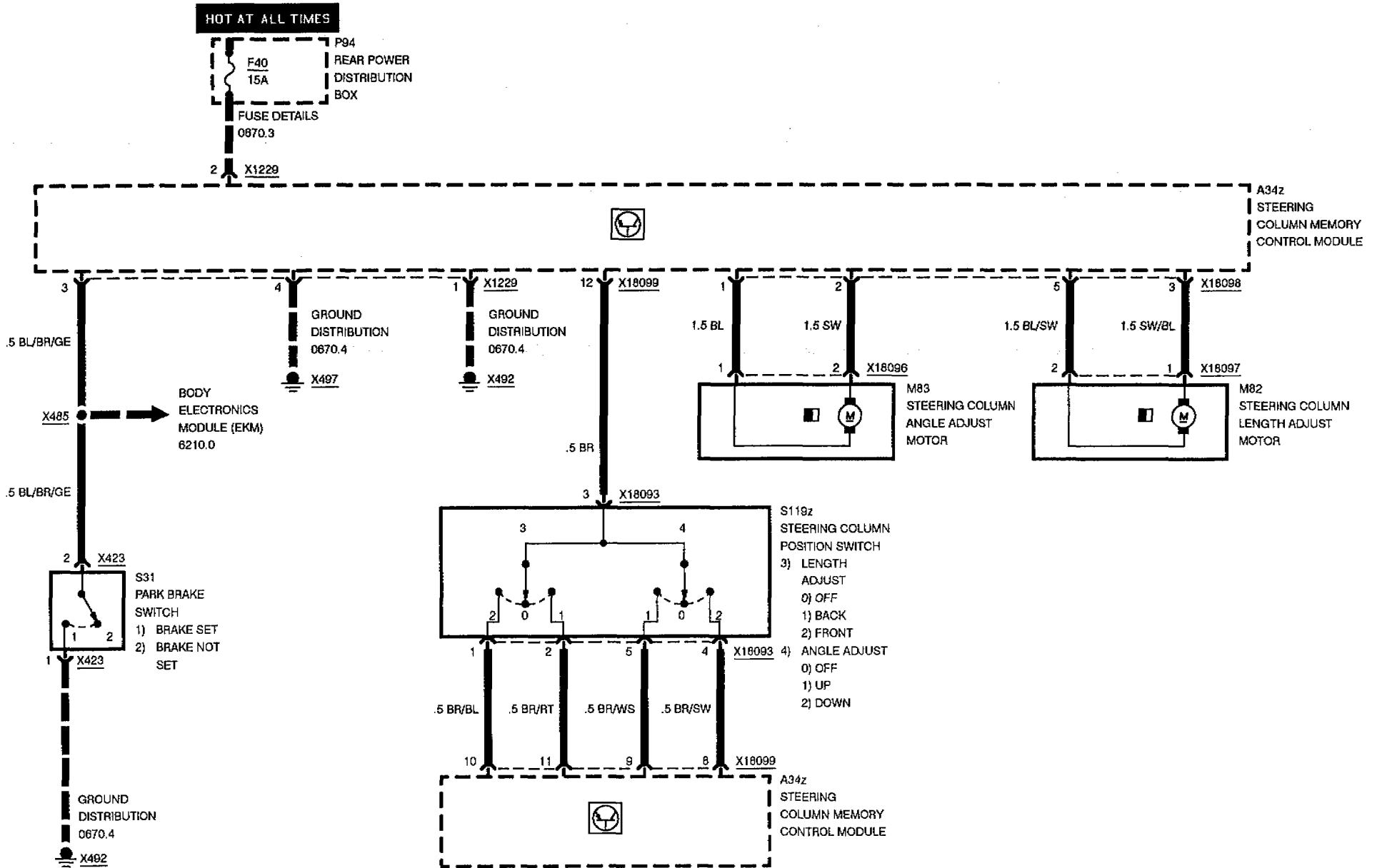


ELECTRONIC TRANSMISSION CONTROL (EGS)





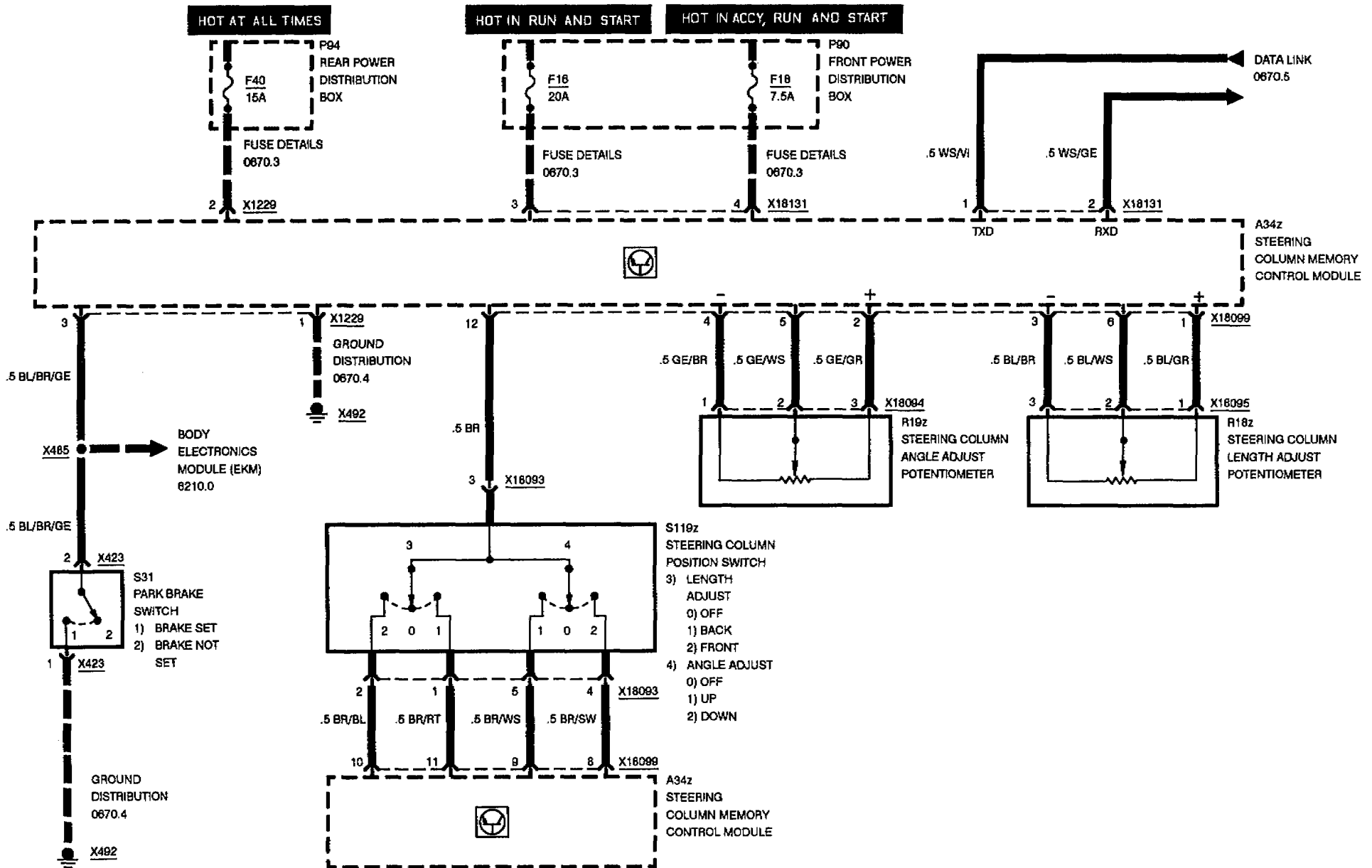
ELECTRIC STEERING COLUMN ADJUSTMENT



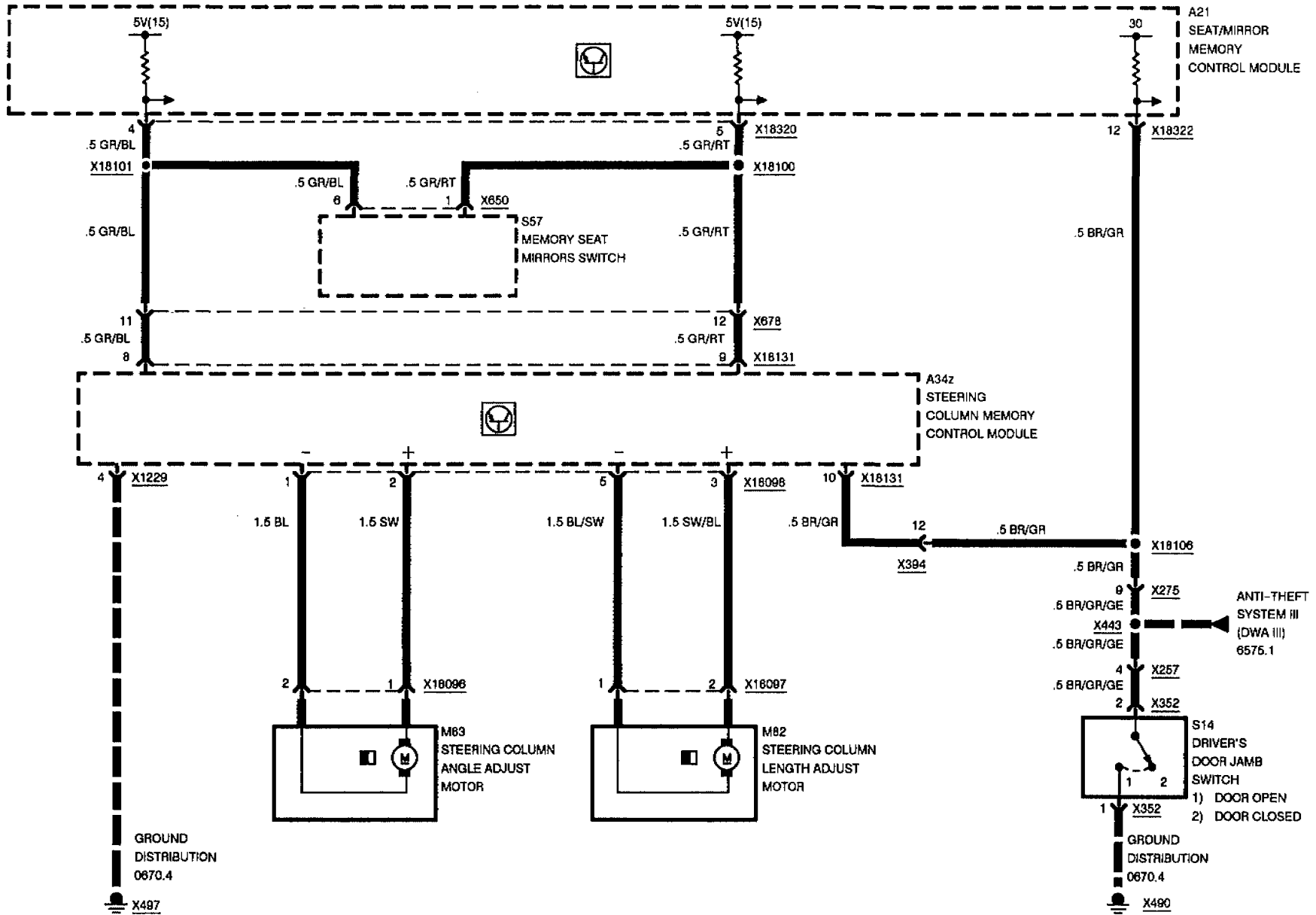




STEERING COLUMN MEMORY (LSM)

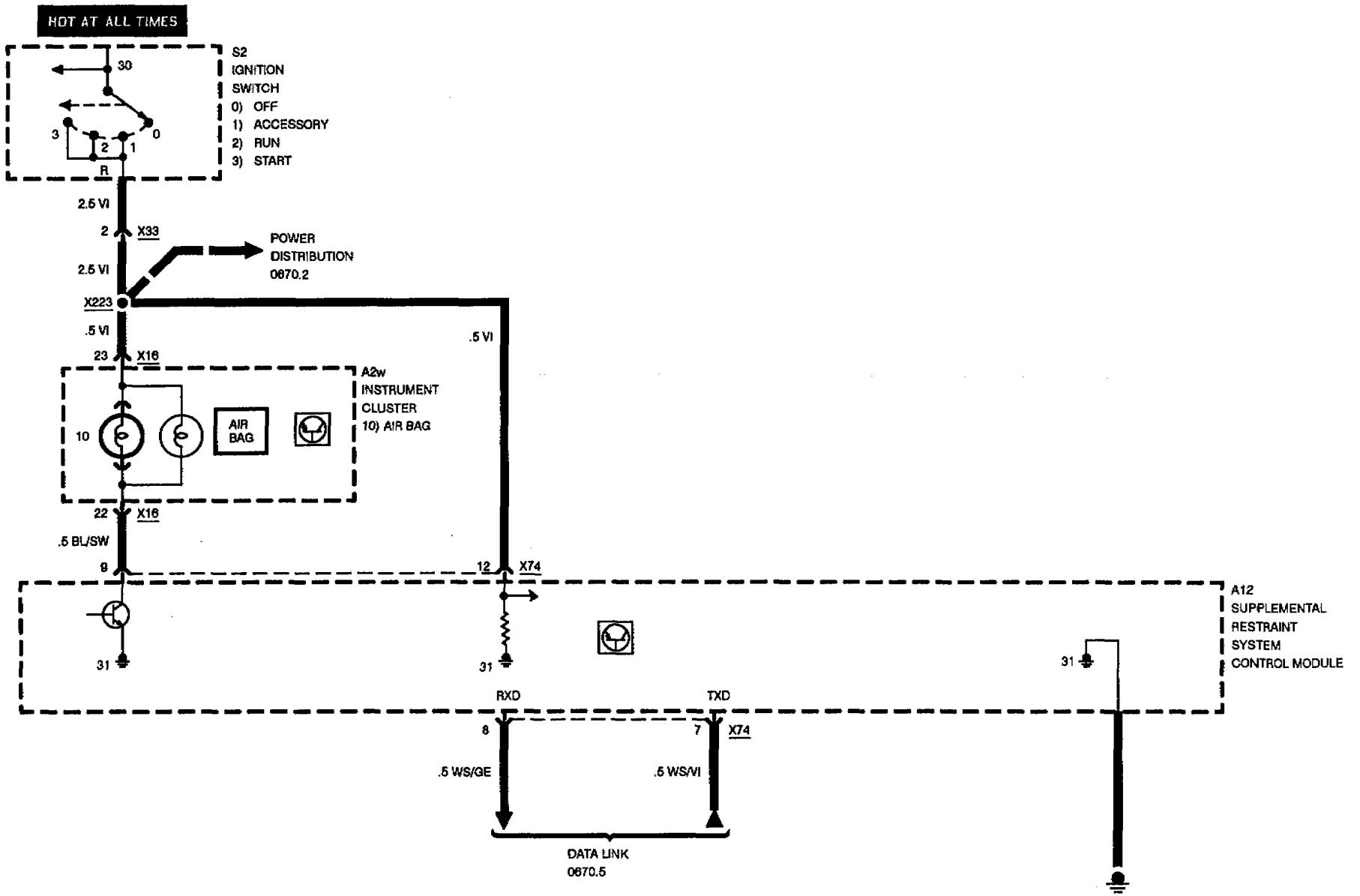


STEERING COLUMN MEMORY (LSM)

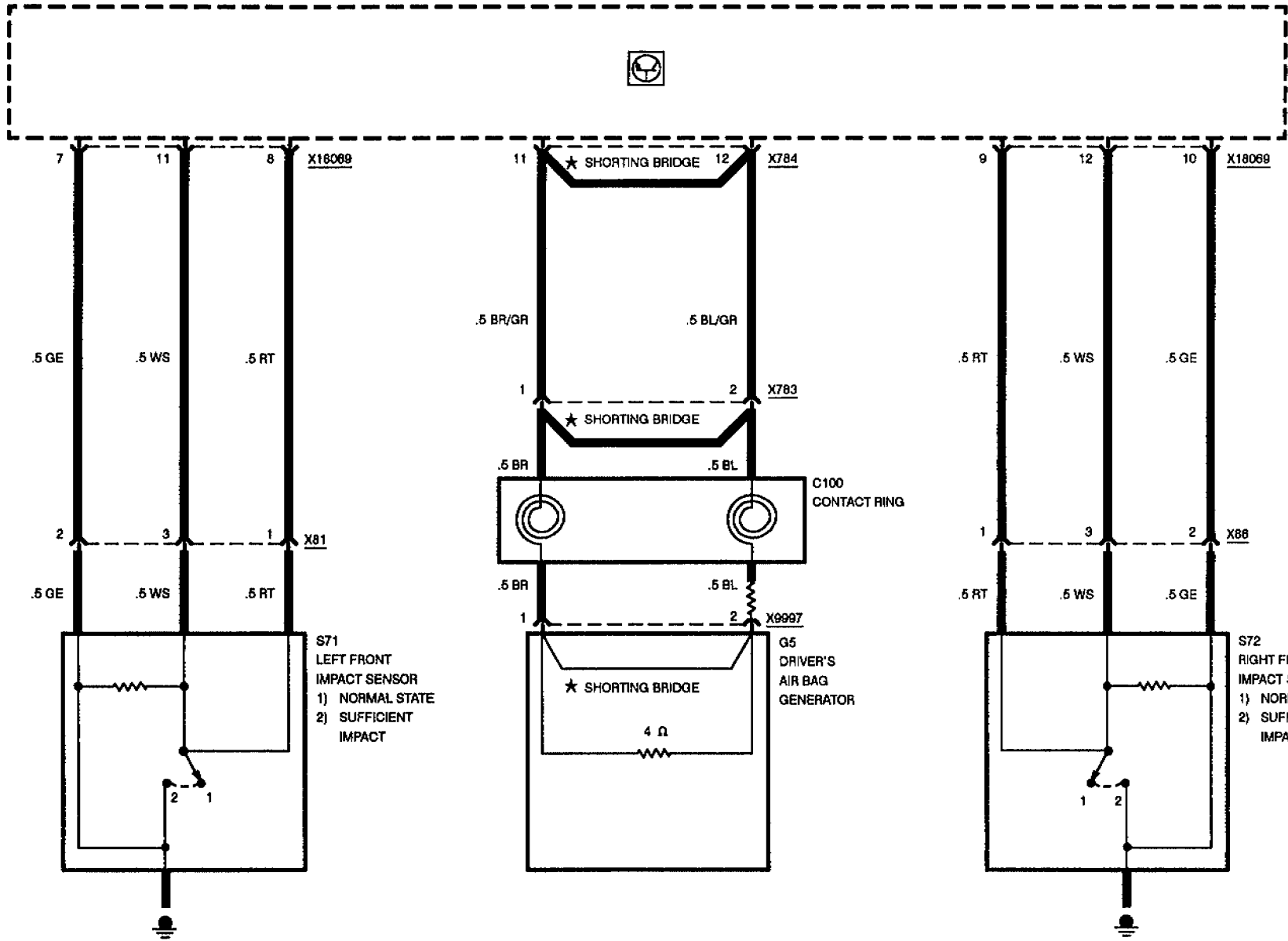




SUPPLEMENTAL RESTRAINT SYSTEM (AIR BAG)



SUPPLEMENTAL RESTRAINT SYSTEM (AIR BAG)



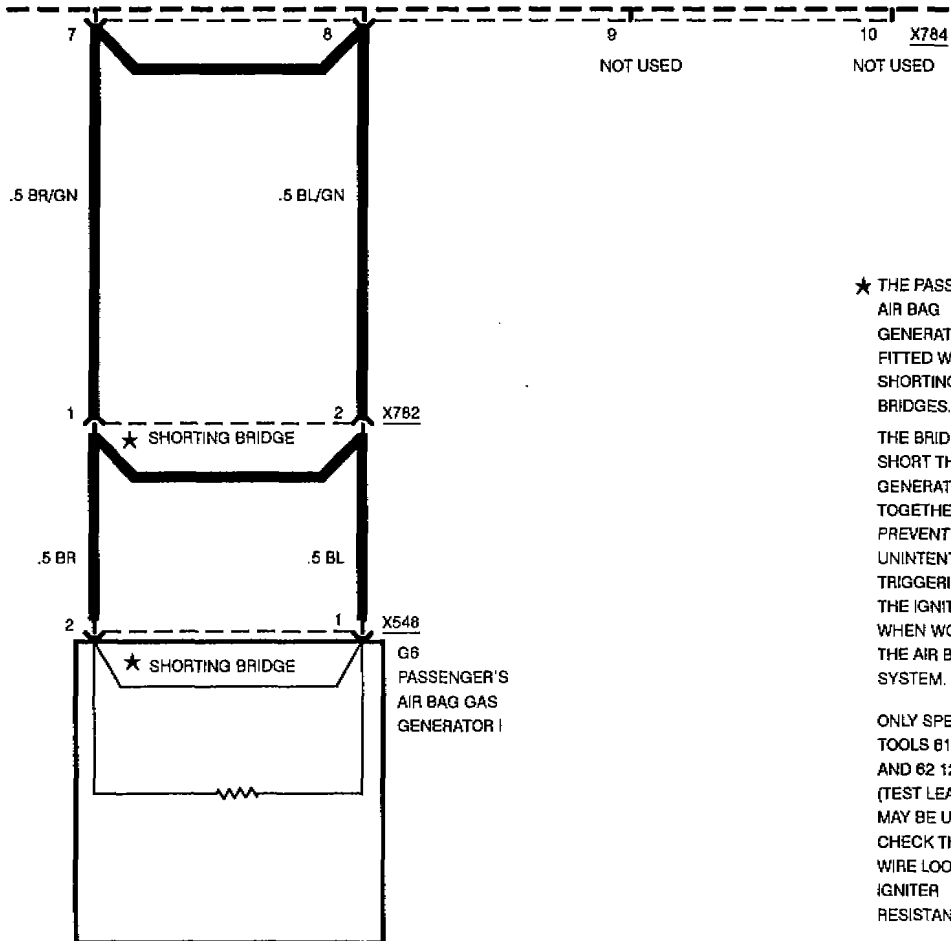
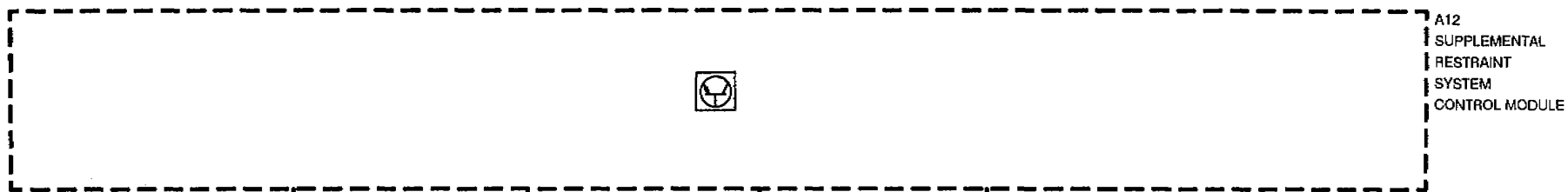
★ THE DRIVER'S AIR BAG GENERATOR IS FITTED WITH SHORTING BRIDGES. THE BRIDGES SHORT THE GENERATOR LEADS TOGETHER TO PREVENT UNINTENTIONAL TRIGGERING OF THE IGNITER WHEN WORKING ON THE AIR BAG SYSTEM.

ONLY SPECIAL TOOLS 81 1260 AND 82 1280 (TEST LEADS) MAY BE USED TO CHECK THE WIRE LOOP AND IGNITER RESISTANCE.



SUPPLEMENTAL RESTRAINT SYSTEM (AIR BAG)

WITH PASSENGER'S AIRBAG



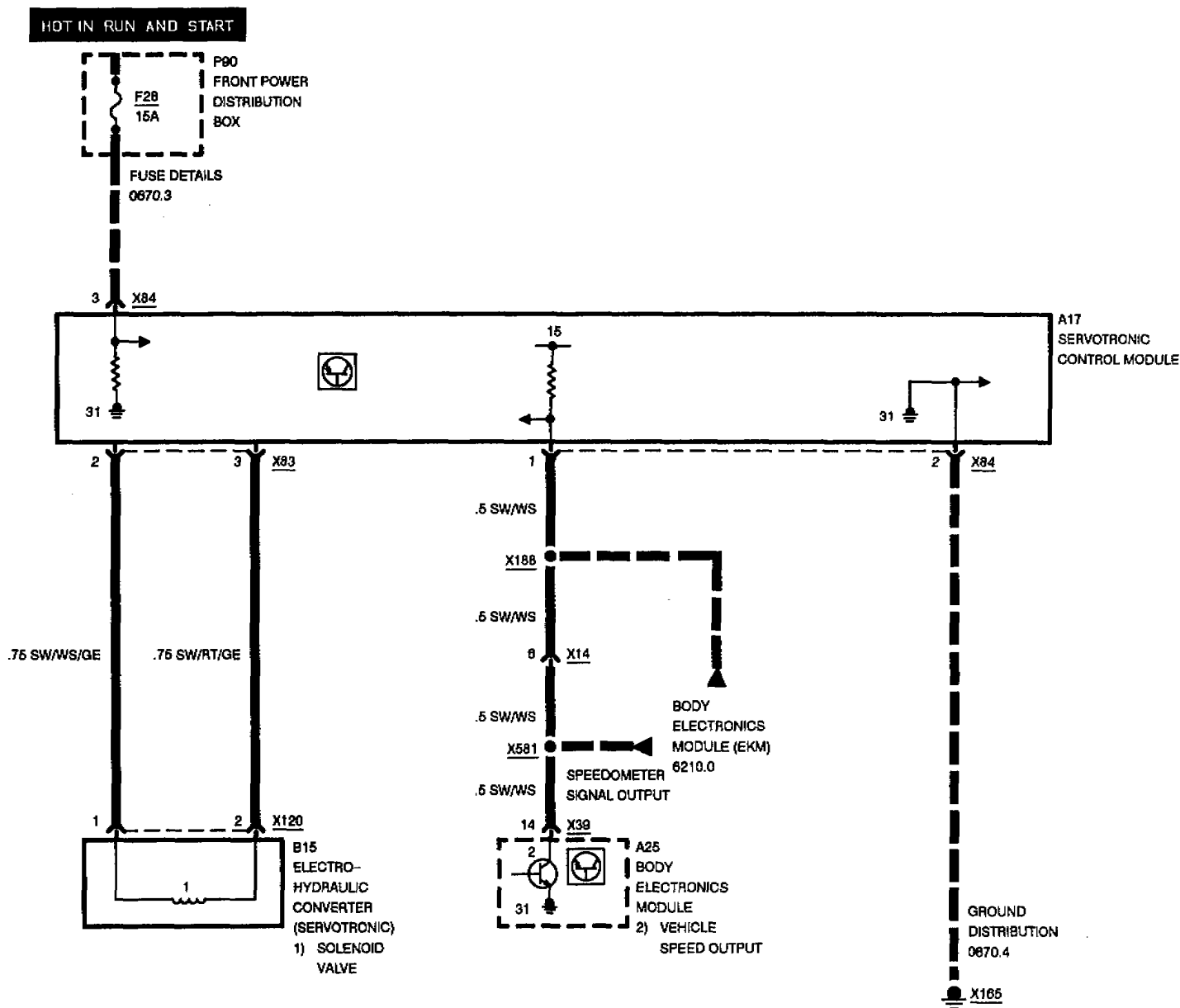
★ THE PASSENGER'S AIR BAG GENERATOR IS FITTED WITH SHORTING BRIDGES.

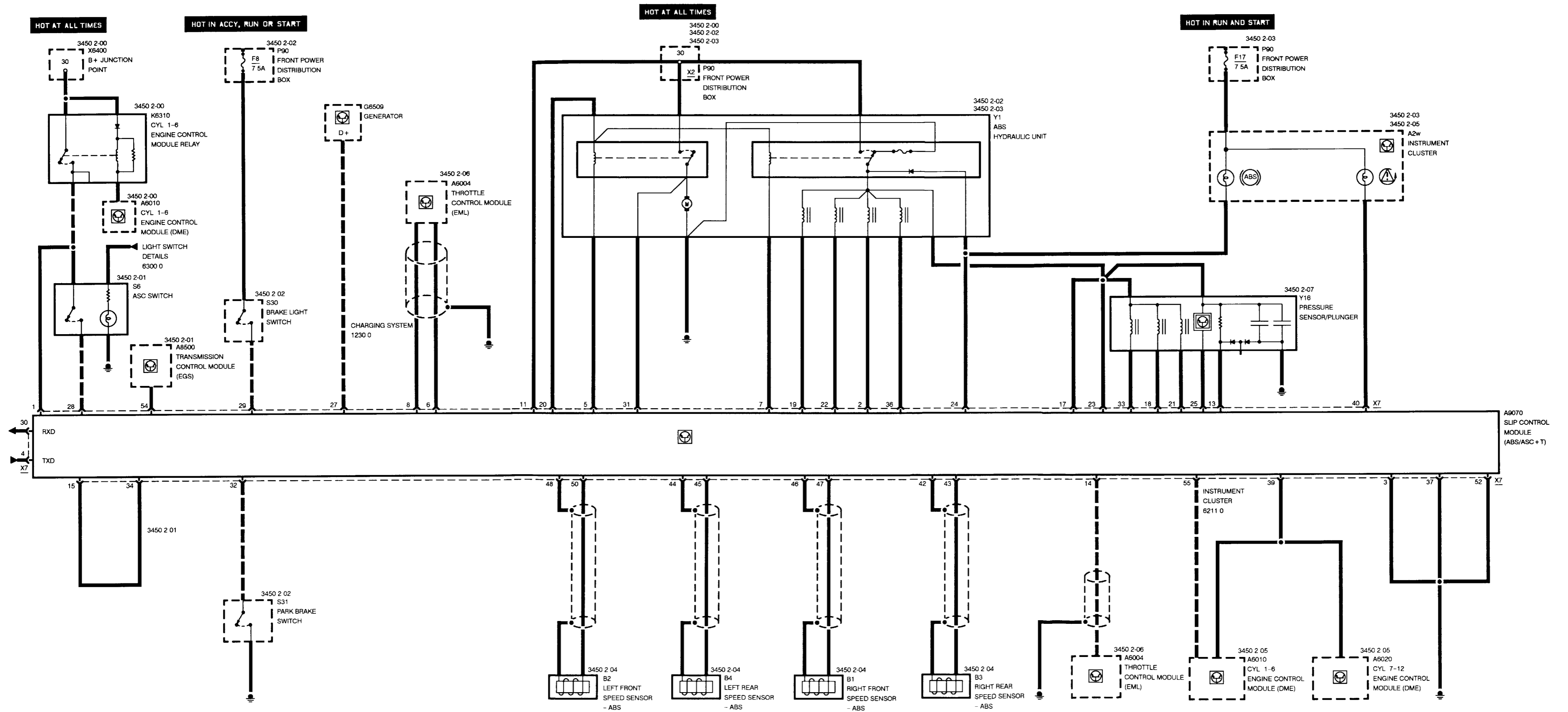
THE BRIDGES SHORT THE GENERATOR LEADS TOGETHER TO PREVENT UNINTENTIONAL TRIGGERING OF THE IGNITER WHEN WORKING ON THE AIR BAG SYSTEM.

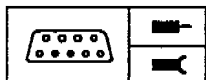
ONLY SPECIAL TOOLS 61 1260 AND 62 1280 (TEST LEADS) MAY BE USED TO CHECK THE WIRE LOOP AND IGNITER RESISTANCE.

BMW
8

3240.0





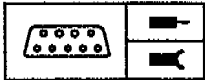


Pin Assignments

X7

Pin	Type	Description/Function	Connection
1	E	Voltage supply (terminal 15)	Cyl. 1-6 engine control module relay
2	A	Rear left solenoid valve activation	ABS hydraulic unit
3	M	Ground	Ground point
4	E/A	TxD diagnostic data line	Data link connector
5	A	Pump relay activation	ABS hydraulic unit
6	A	Throttle valve angle reduction (DKR)	Electronic throttle control module (EML)
7	A	Valve relay activation	ABS hydraulic unit
8	A	Throttle valve angle increase (DKE)	Electronic throttle control module (EML)
9		Not used	
10		Not used	
11	E	Battery voltage	Battery
12		Not used	
13	E	Operating pressure signal	Pressure sensor/plunger
14	E	Throttle valve position	Electronic throttle control module (EML)
15	A	Coding plug for manual transmission	Pin 34 (stabilized voltage)
16		Not used	
17	E	Voltage signal, valve relay	ABS hydraulic unit
18	A	Rear right plunger valve activation	Pressure sensor/plunger
19	A	Front left solenoid valve activation	ABS hydraulic unit
20	A	Voltage signal pump relay	ABS hydraulic unit
21	A	Rear left plunger valve activation	Pressure sensor/plunger
22	A	Front right solenoid valve activation	ABS hydraulic unit
23	E	Voltage signal, valve relay	ABS hydraulic unit
24	E	Voltage signal ABS warning lamp	Instrument cluster
25	E	Accumulator warning pressure threshold	Pressure sensor/plunger
26		Not used	
27	E	Terminal 61 D+	Generator
28	E	ASC switch signal	ASC switch
29	E	Brake light signal	Brake light switch
30	A	RxD diagnostic data line	Data link connector

E = Input, A = Output, M = Ground



Pin Assignments

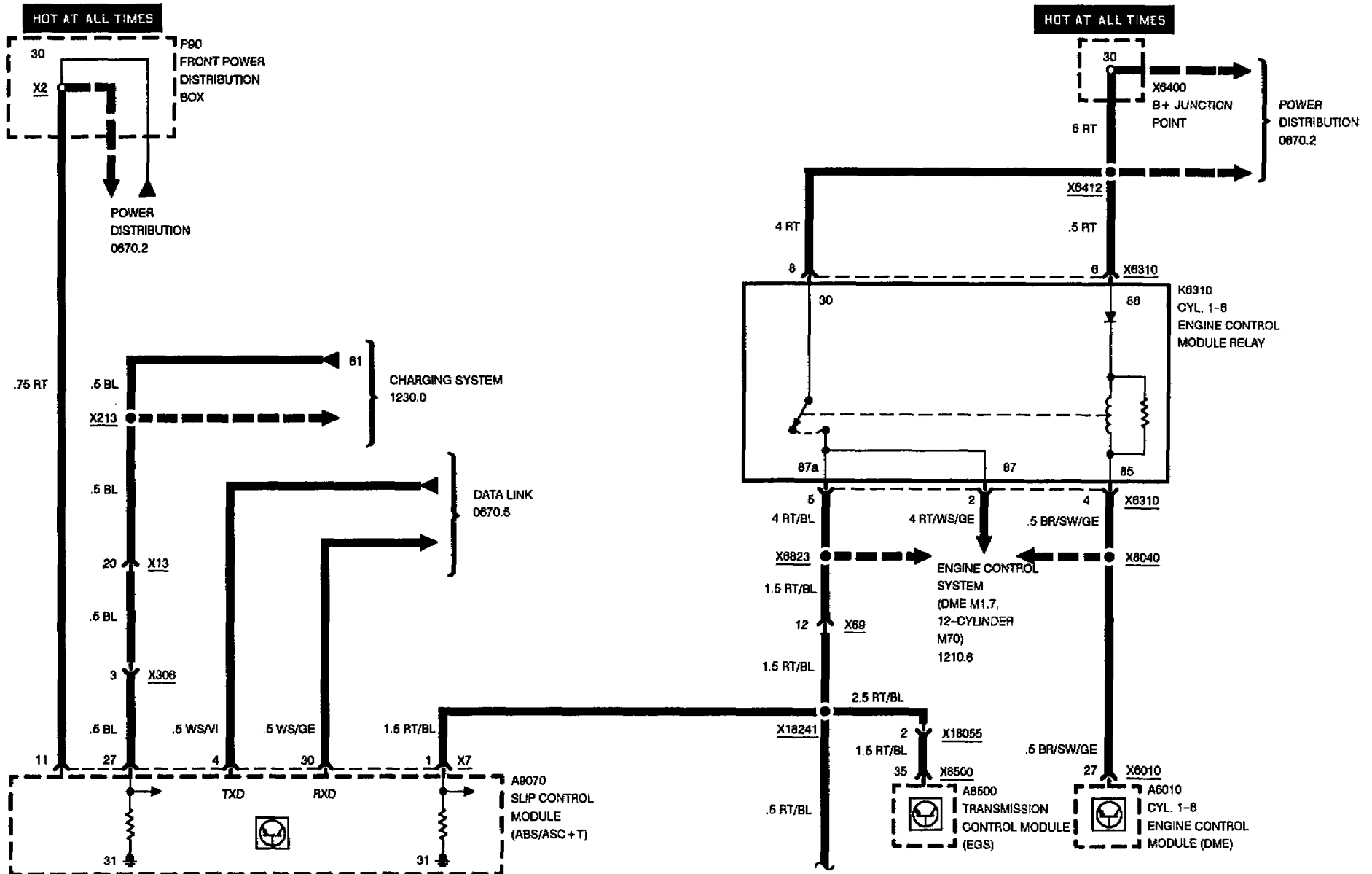
Pin	Type	Description/Function	Connection
31	E	Pump relay signal	ABS hydraulic unit
32	E	Park brake switch signal	Park brake switch
33	A	Recharging valve activation	Pressure sensor/plunger
34	E	Coding plug for manual transmission	Pin 15
35		Not used	
36	A	Rear right solenoid valve activation	ABS hydraulic unit
37	M	Ground	Ground point
38		Not used	
39	A	Ignition angle adjustment	Engine control modules (DME)
40	A	ASC multi-function lamp	Instrument cluster
41		Not used	
42	A	Right rear wheel speed sensor ground	Speed sensor
43	E	Right rear wheel speed signal	Speed sensor
44	A	Left rear wheel speed sensor ground	Speed sensor
45	E	Left rear wheel speed signal	Speed sensor
46	A	Right front wheel speed sensor ground	Speed sensor
47	E	Right front wheel speed signal	Speed sensor
48	A	Left front wheel speed sensor ground	Speed sensor
49		Not used	
50	E	Left front wheel speed signal	Speed sensor
51		Not used	
52	M	Ground	Ground point
53		Not used	
54	A	Signal, transmission intervention	Transmission control module (EGS)
55	E	RPM signal	Engine control module (DME)

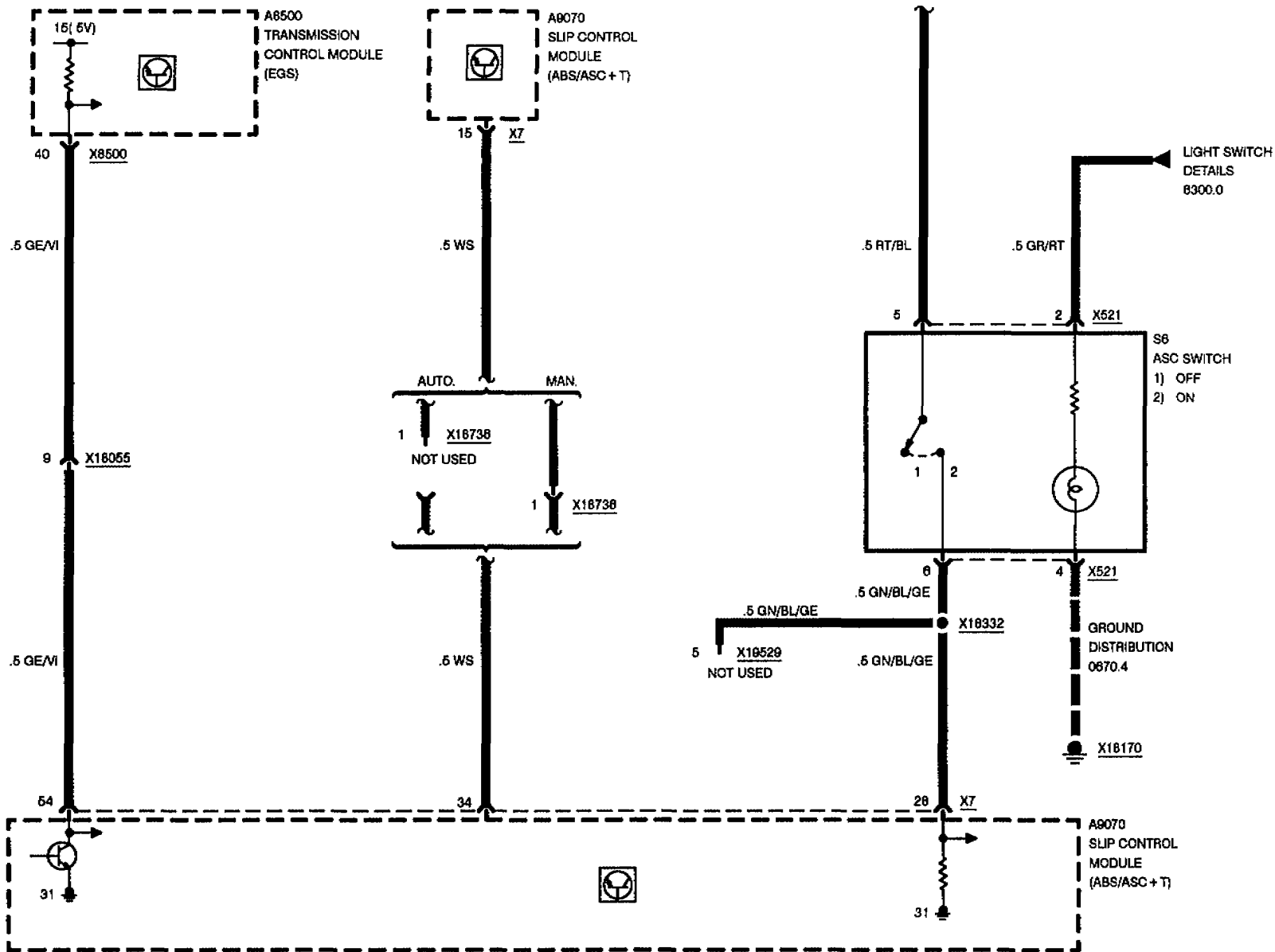
E = Input, A = Output, M = Ground





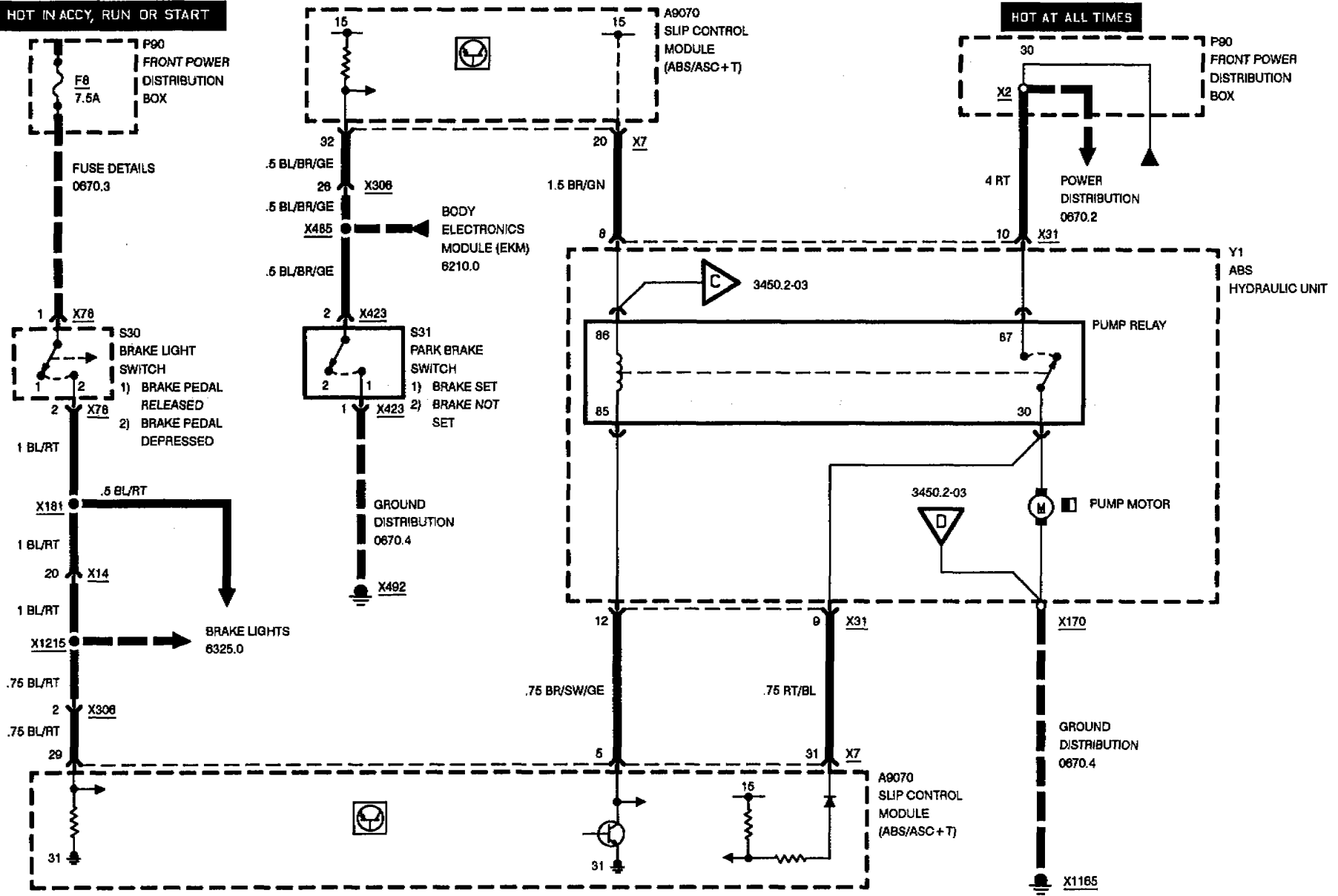
SLIP CONTROL (ABS/ASC + T)



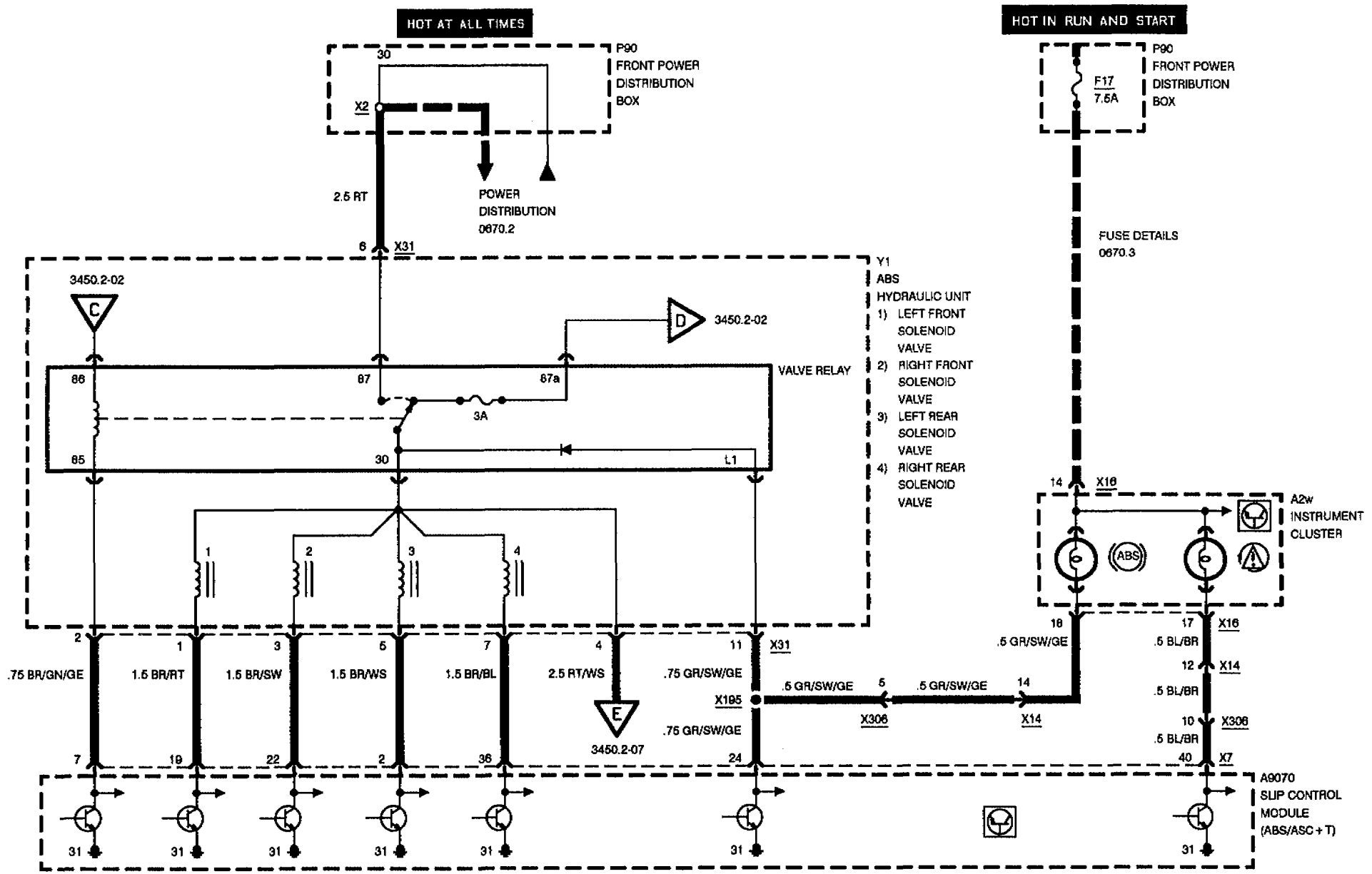




SLIP CONTROL (ABS/ASC+T)

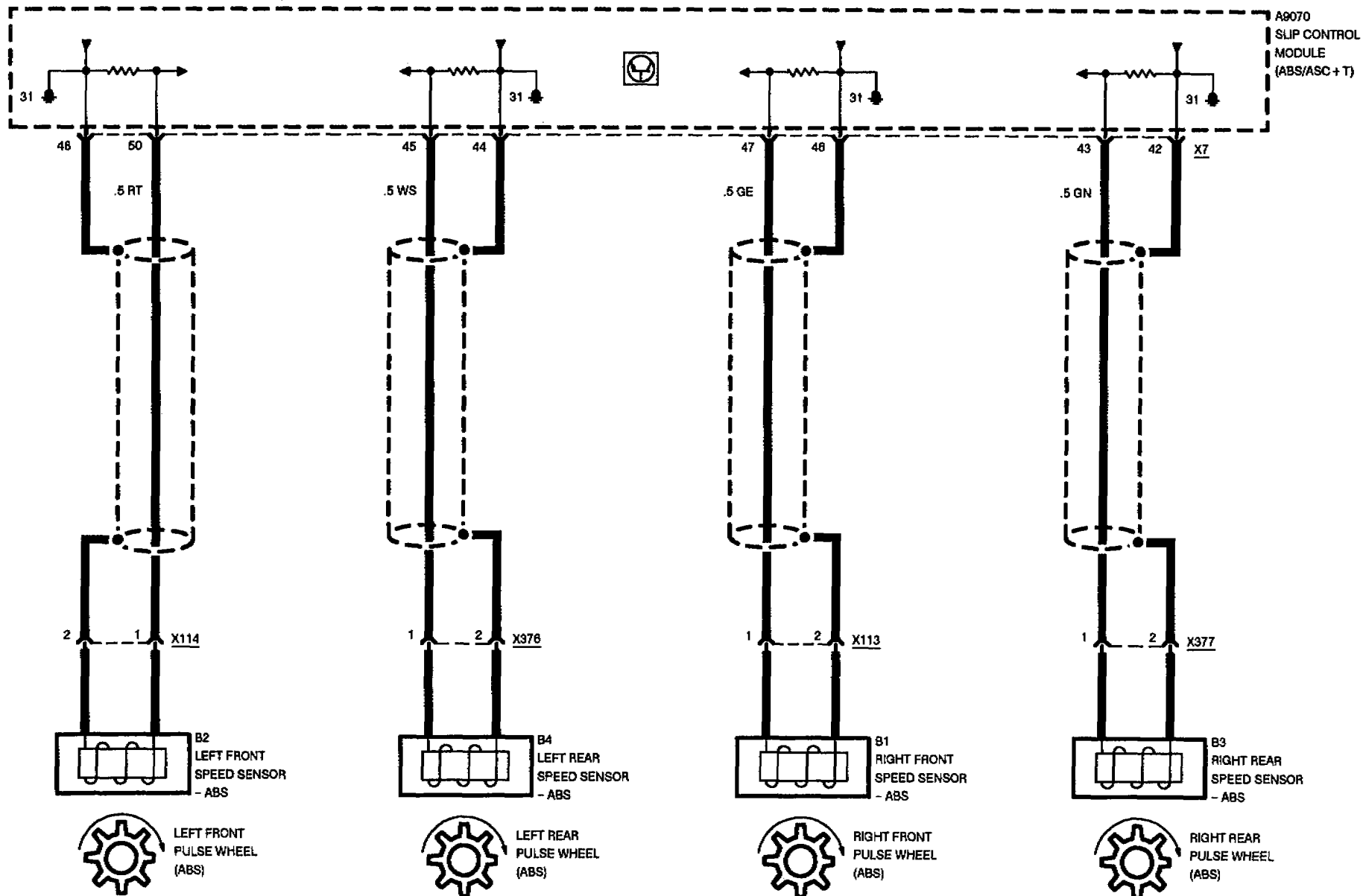


SLIP CONTROL (ABS/ASC+T)



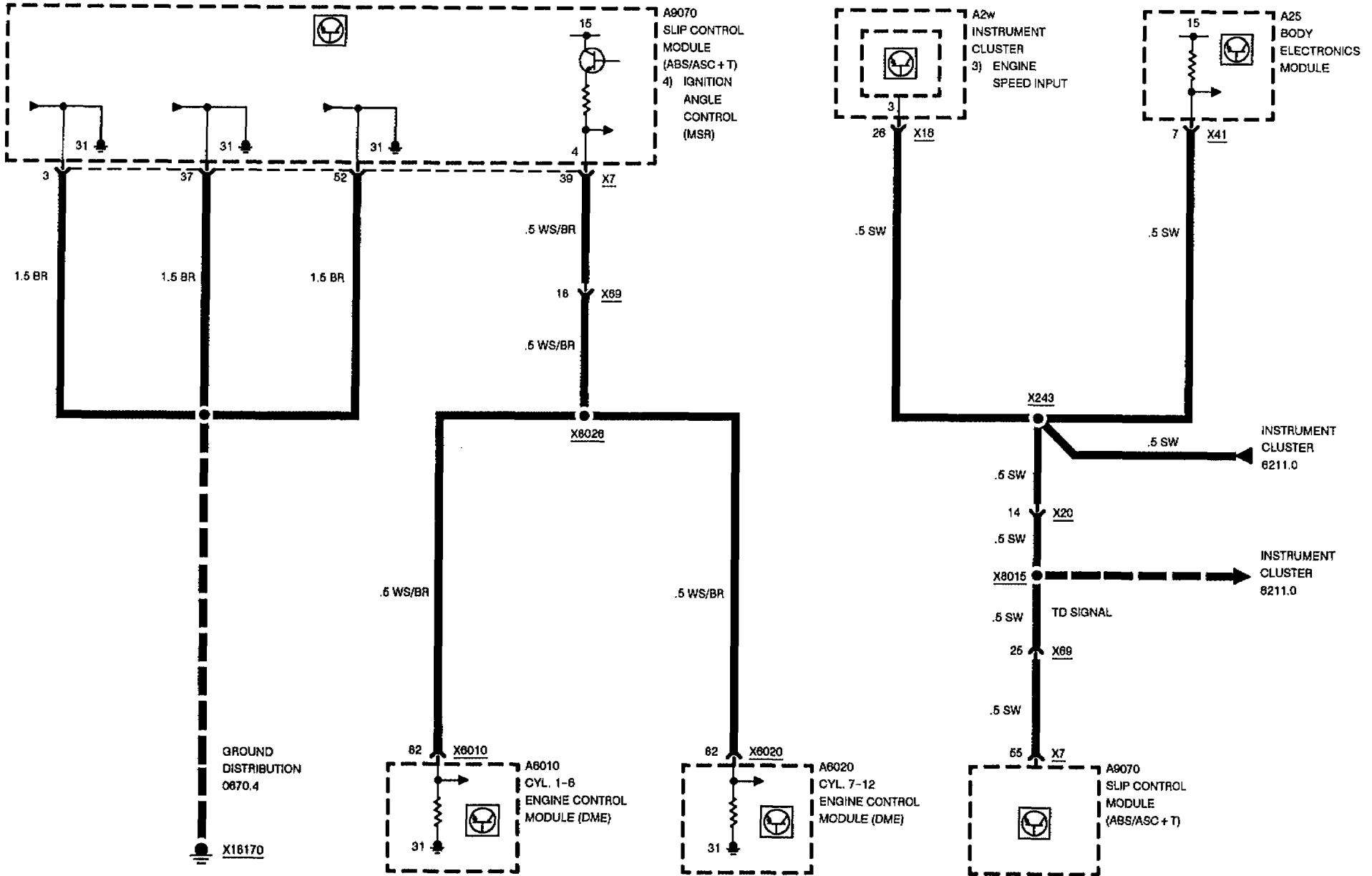


SLIP CONTROL (ABS/ASC + T)





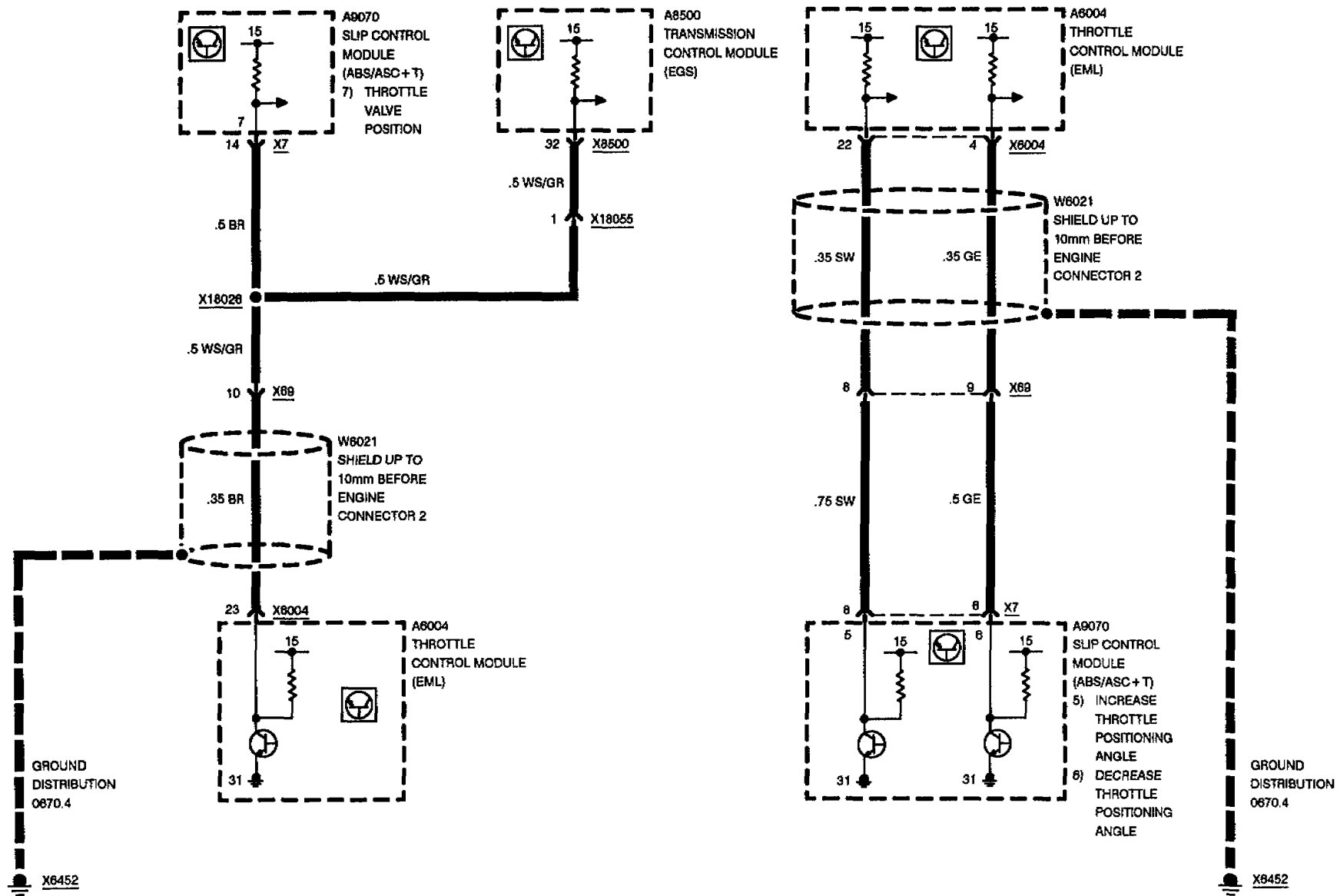
SLIP CONTROL (ABS/ASC + T) ENGINE CONTROL (DME) INTERFACE





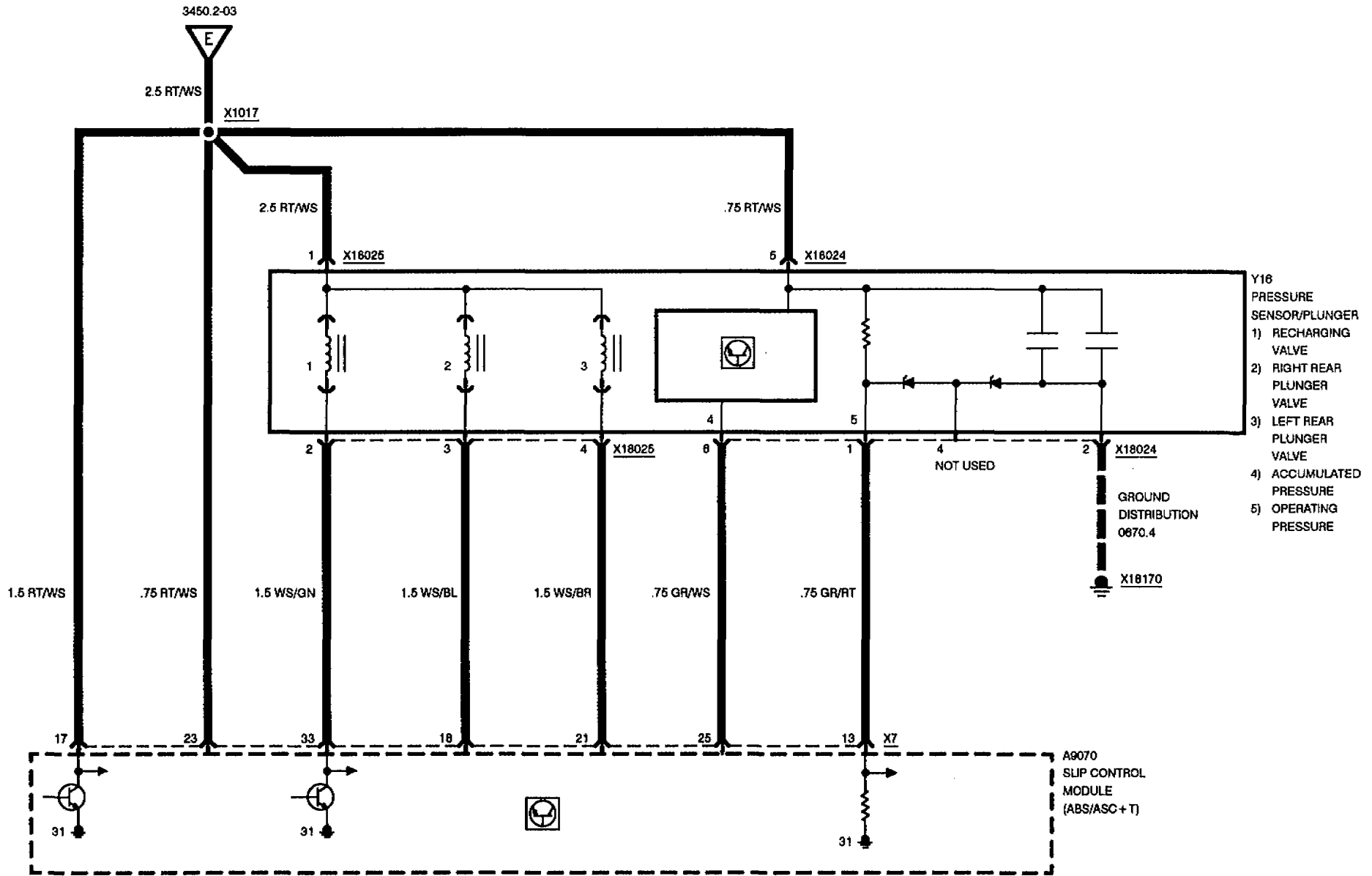
SLIP CONTROL (ABS/ASC + T)

EML INTERFACE



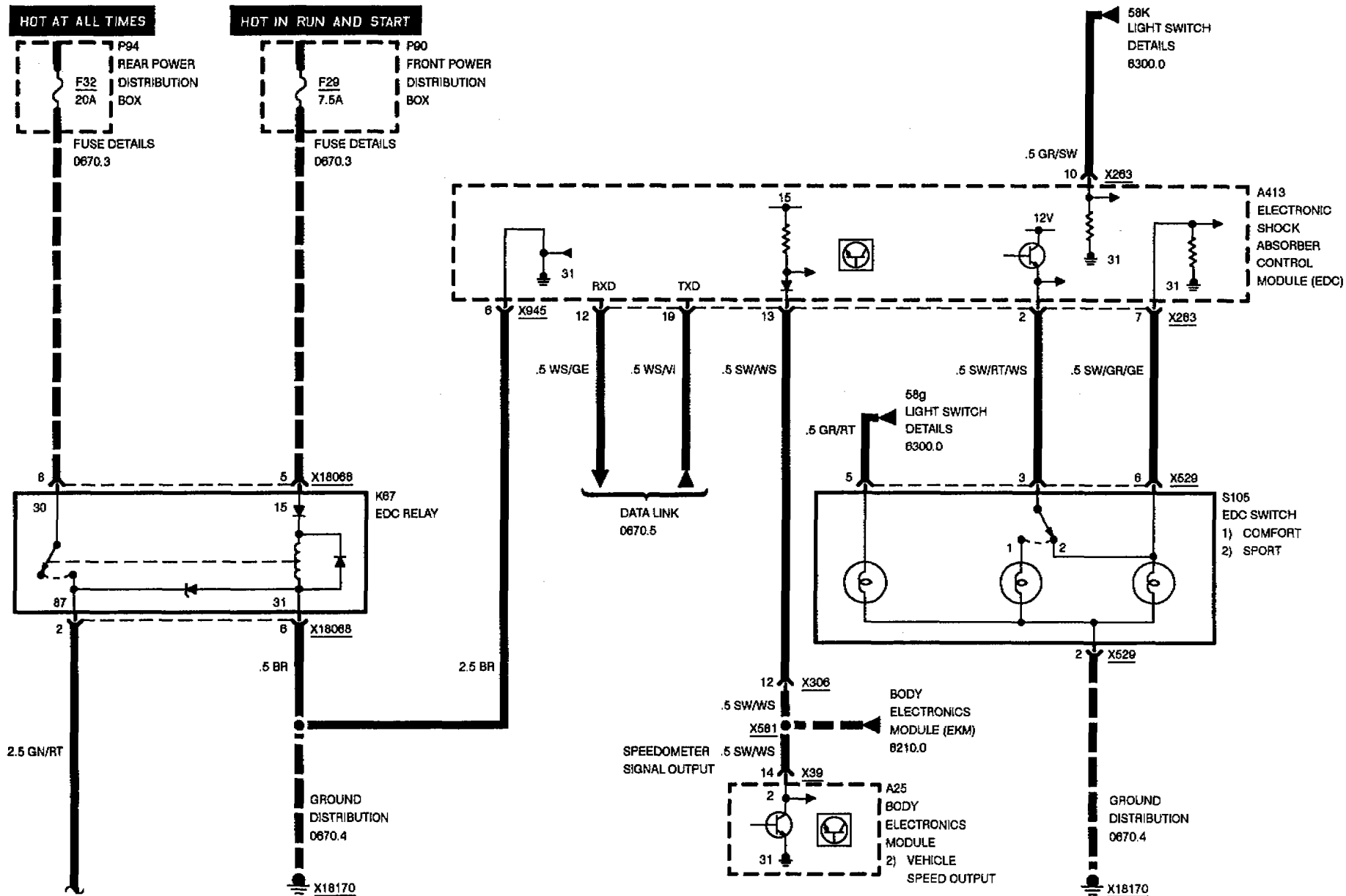


SLIP CONTROL (ABS/ASC+T)





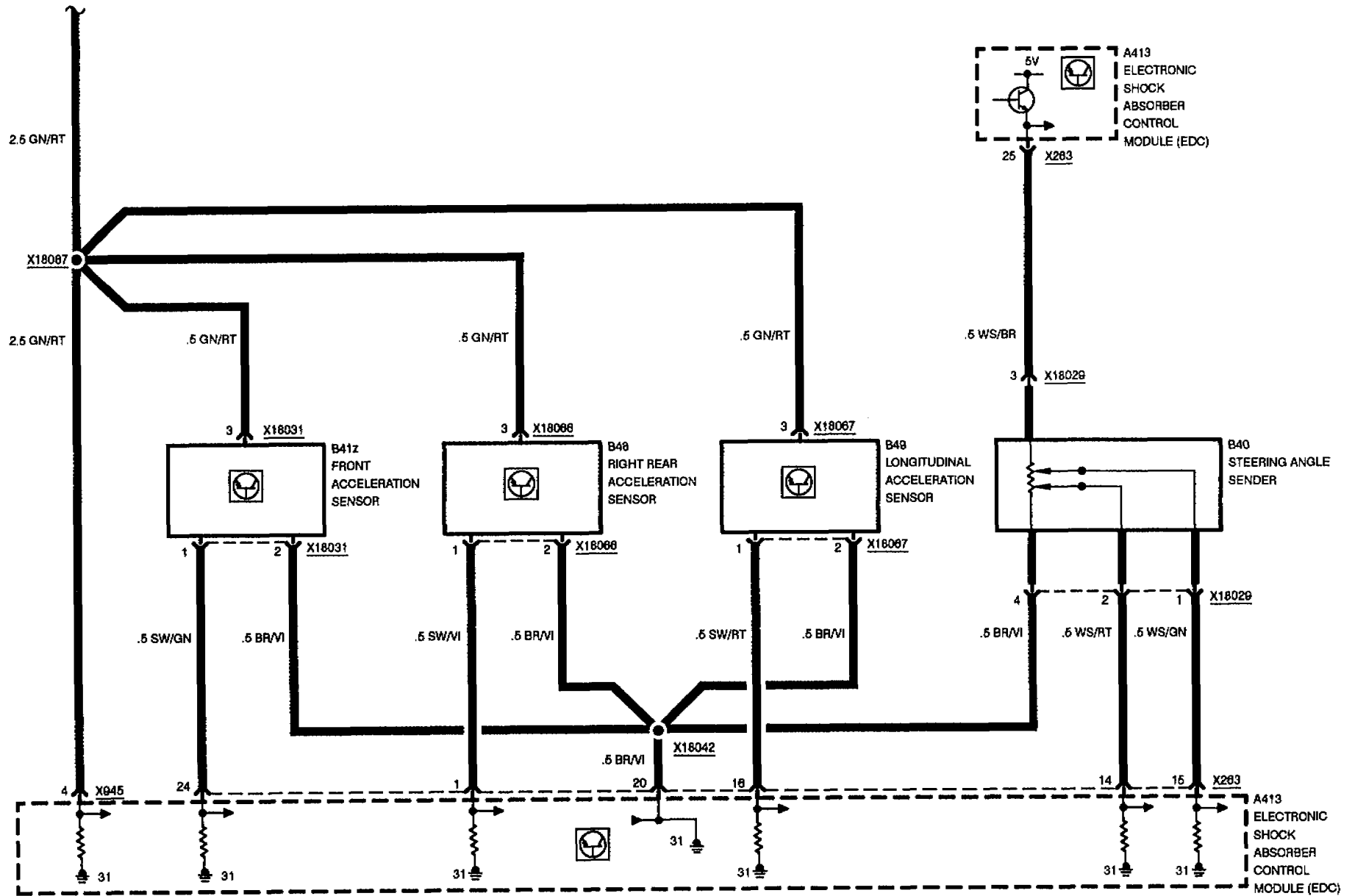
ELECTRONIC SHOCK ABSORBER CONTROL III+ (EDC III+)



12/93

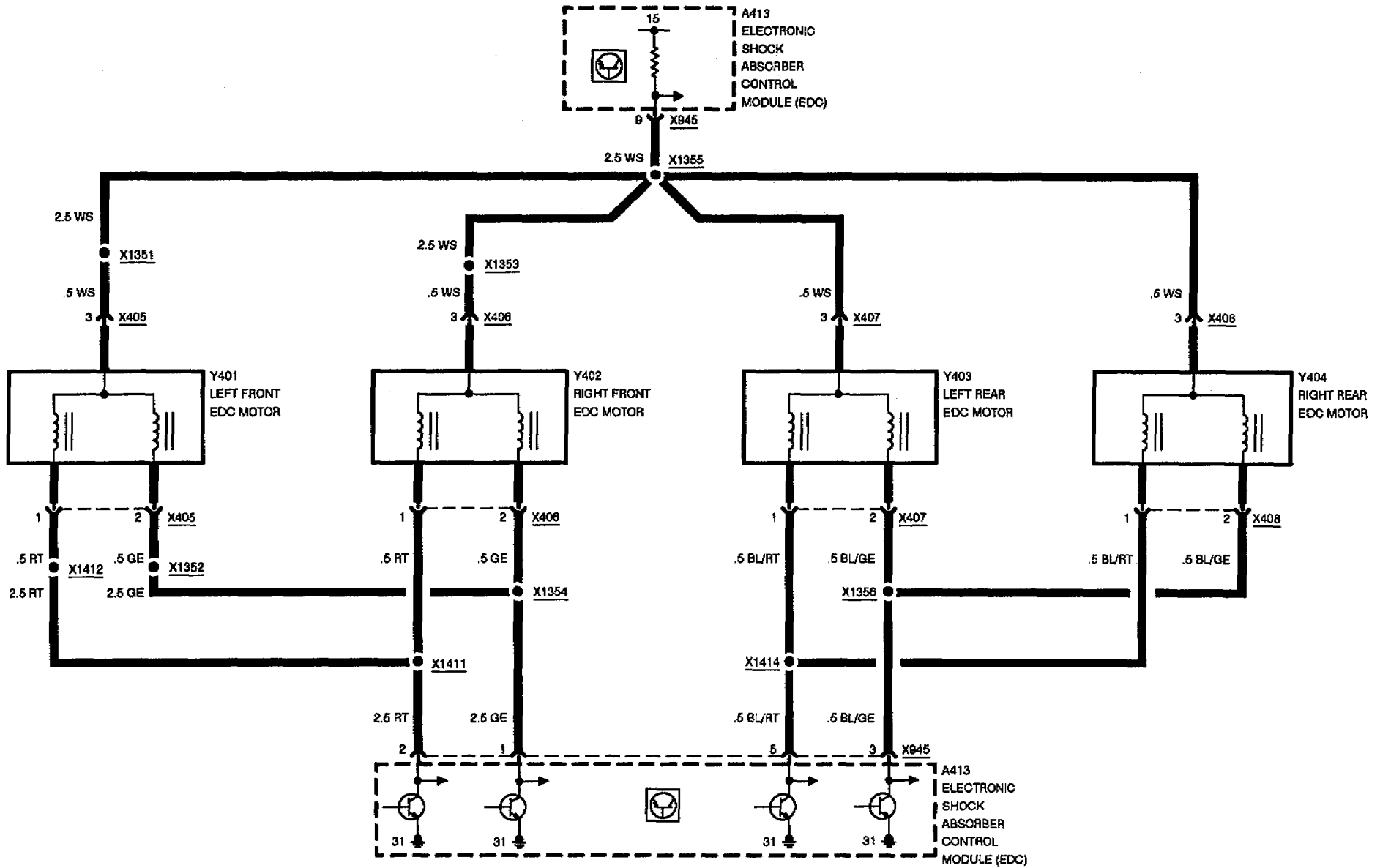
3715.1-00

1993





ELECTRONIC SHOCK ABSORBER CONTROL III+ (EDC III+)

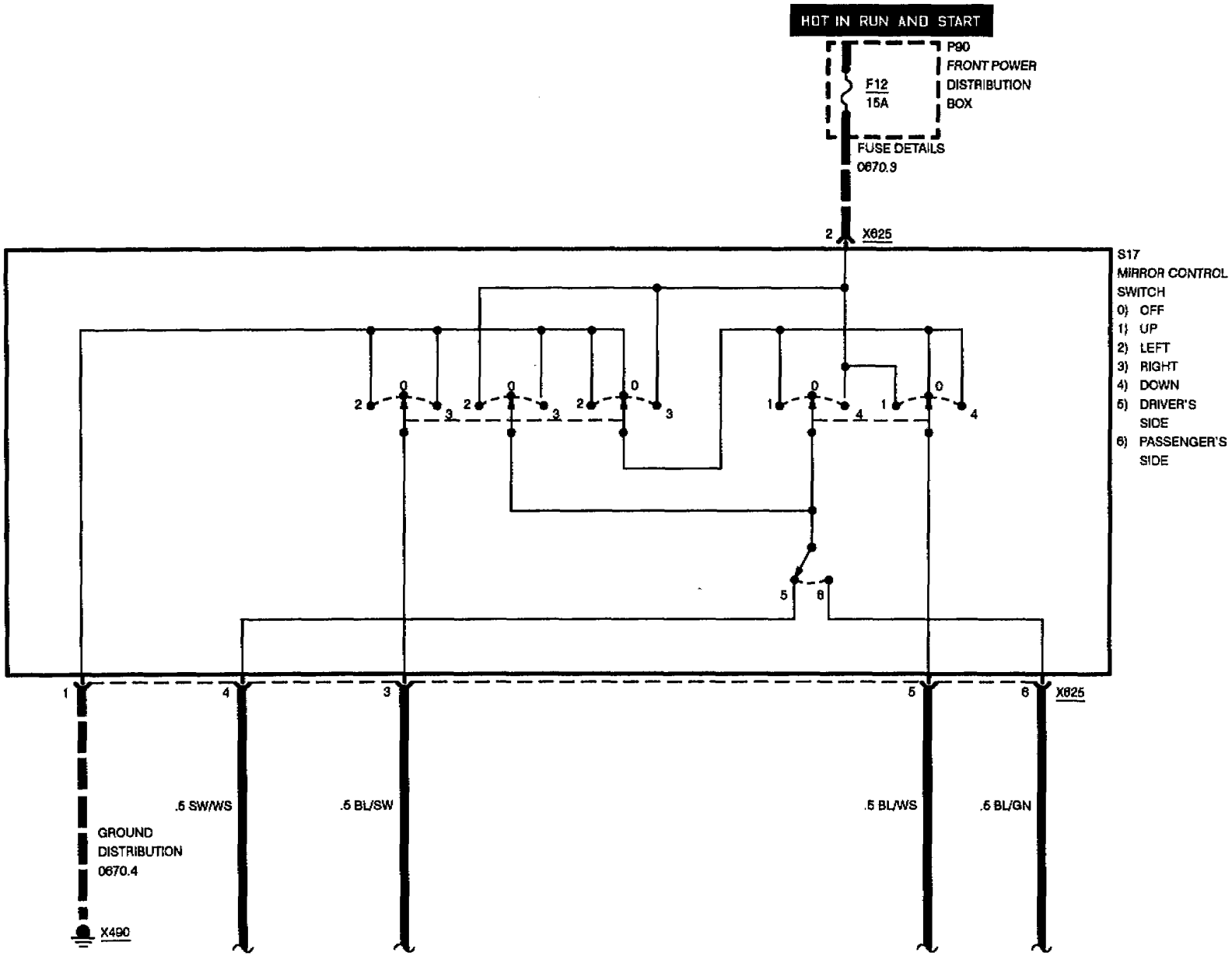


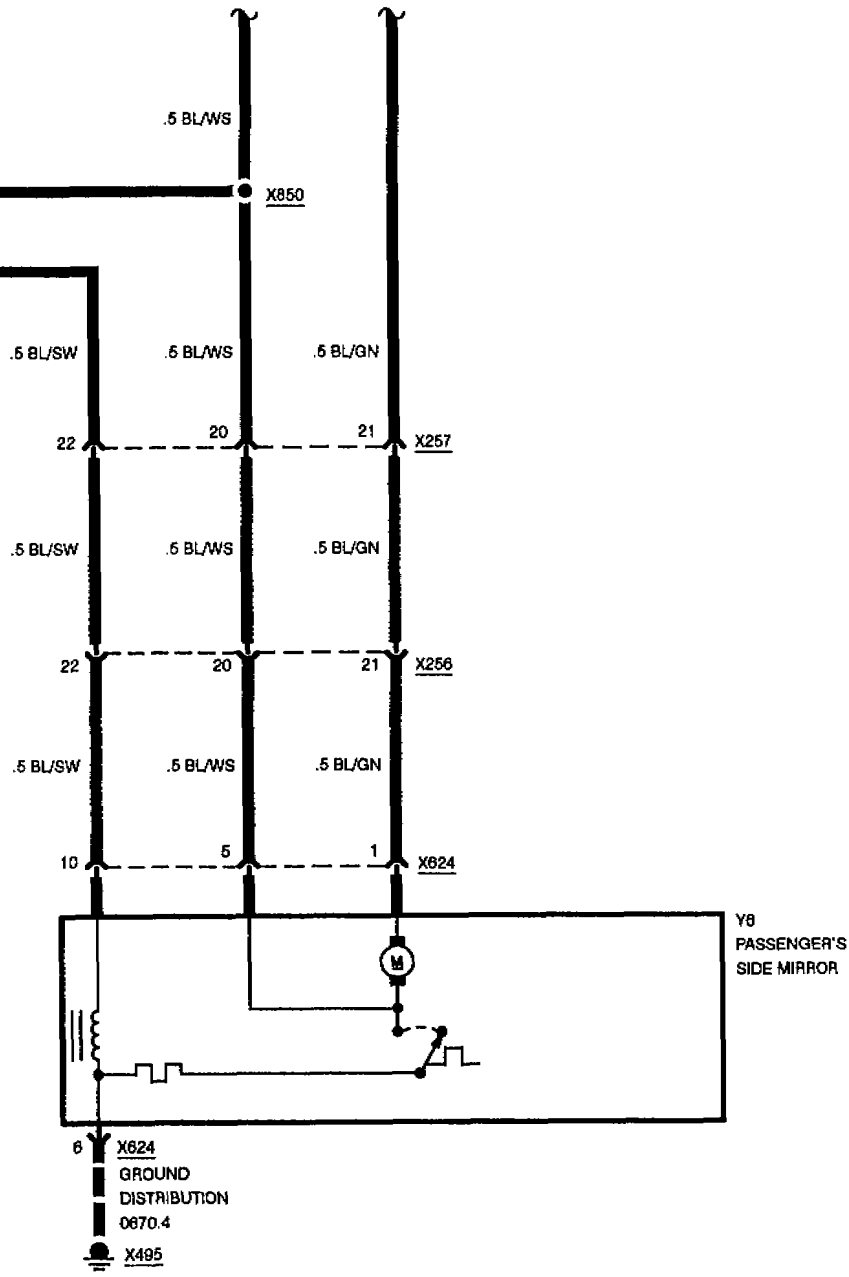
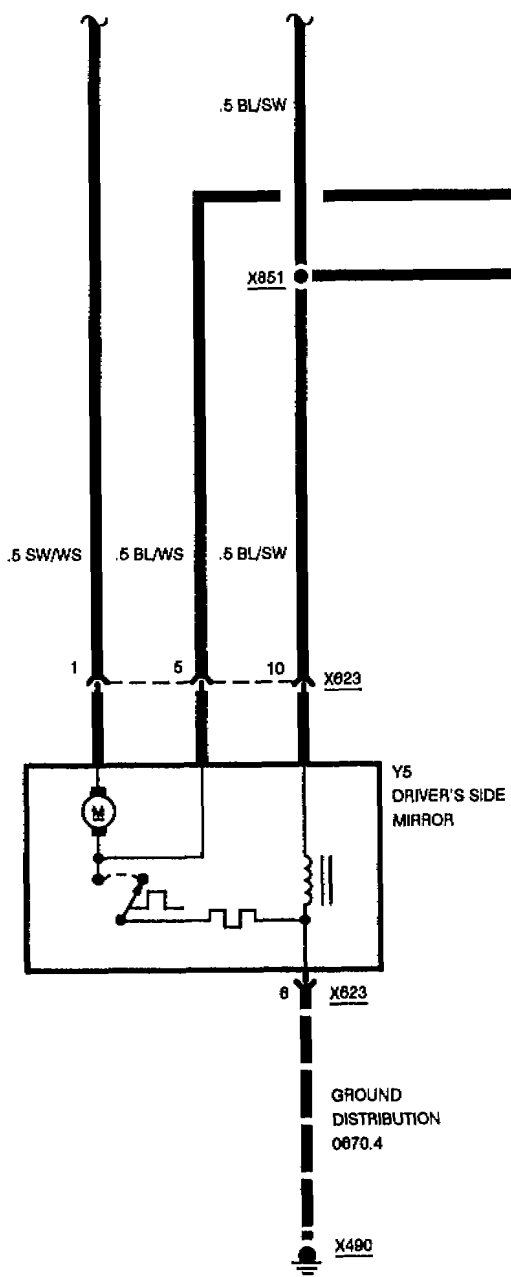




POWER MIRRORS

OUTSIDE MIRRORS

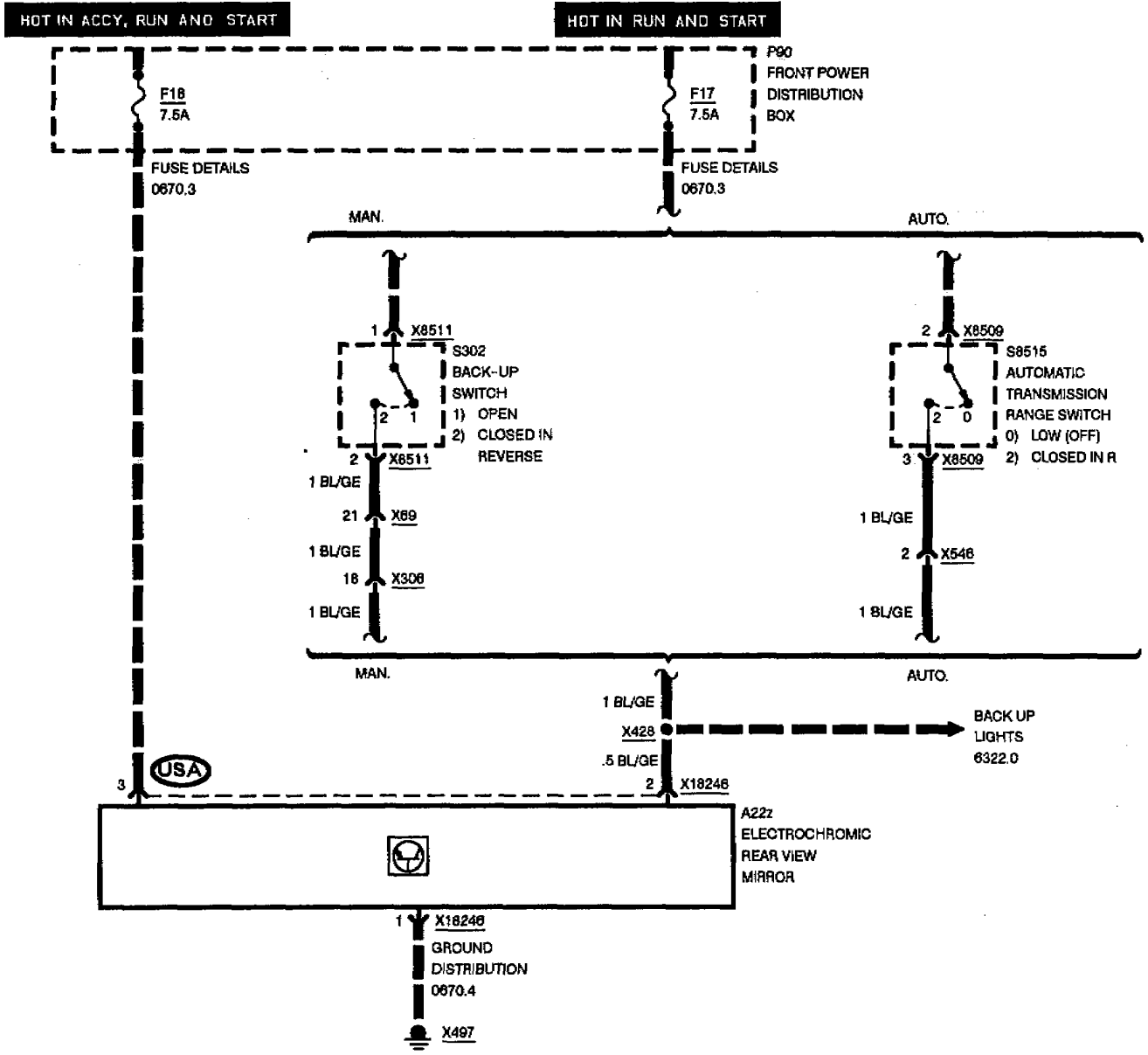






POWER MIRRORS

INSIDE MIRROR

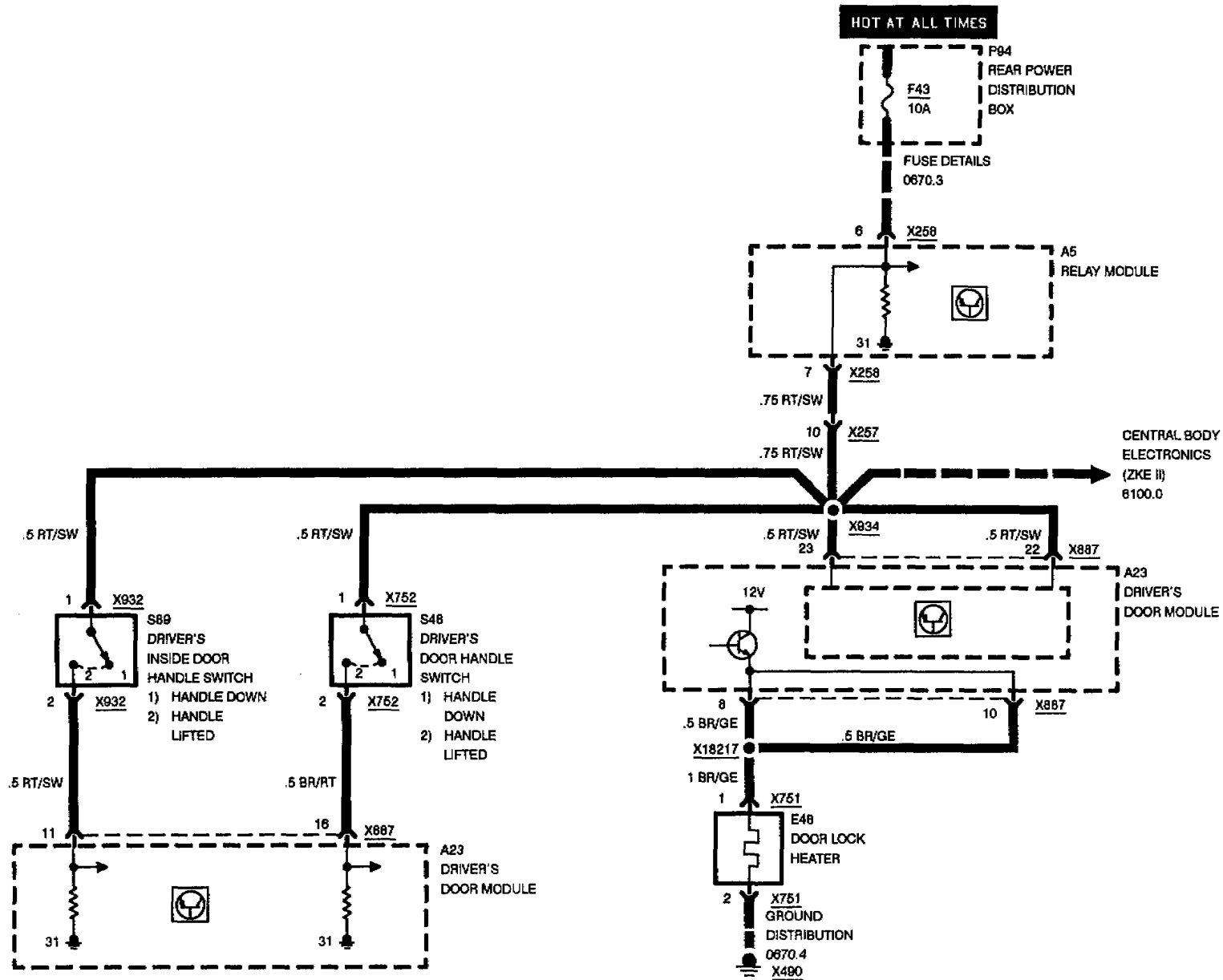




5120.0



ZKE DOOR LOCK HEATING (TSH)

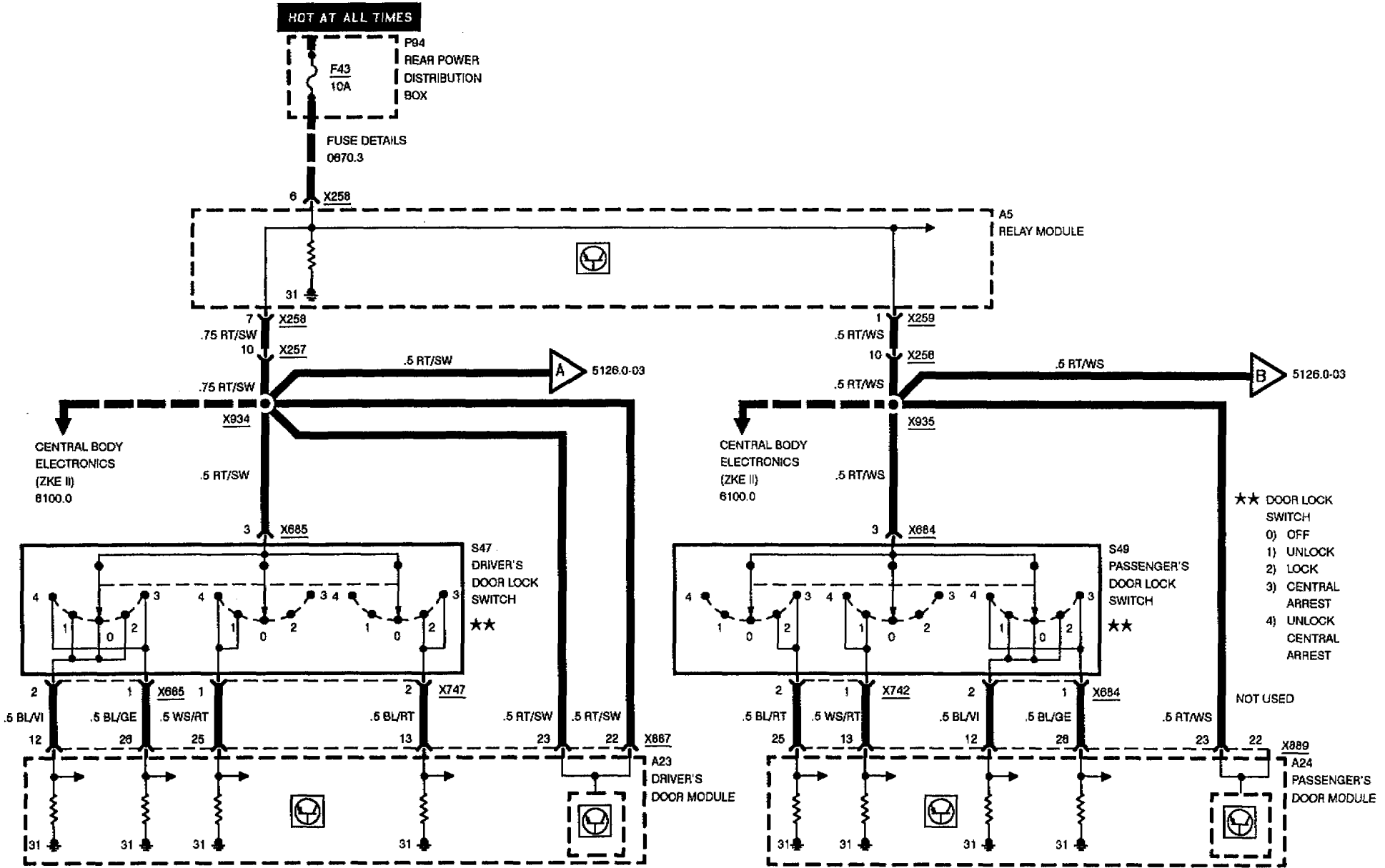






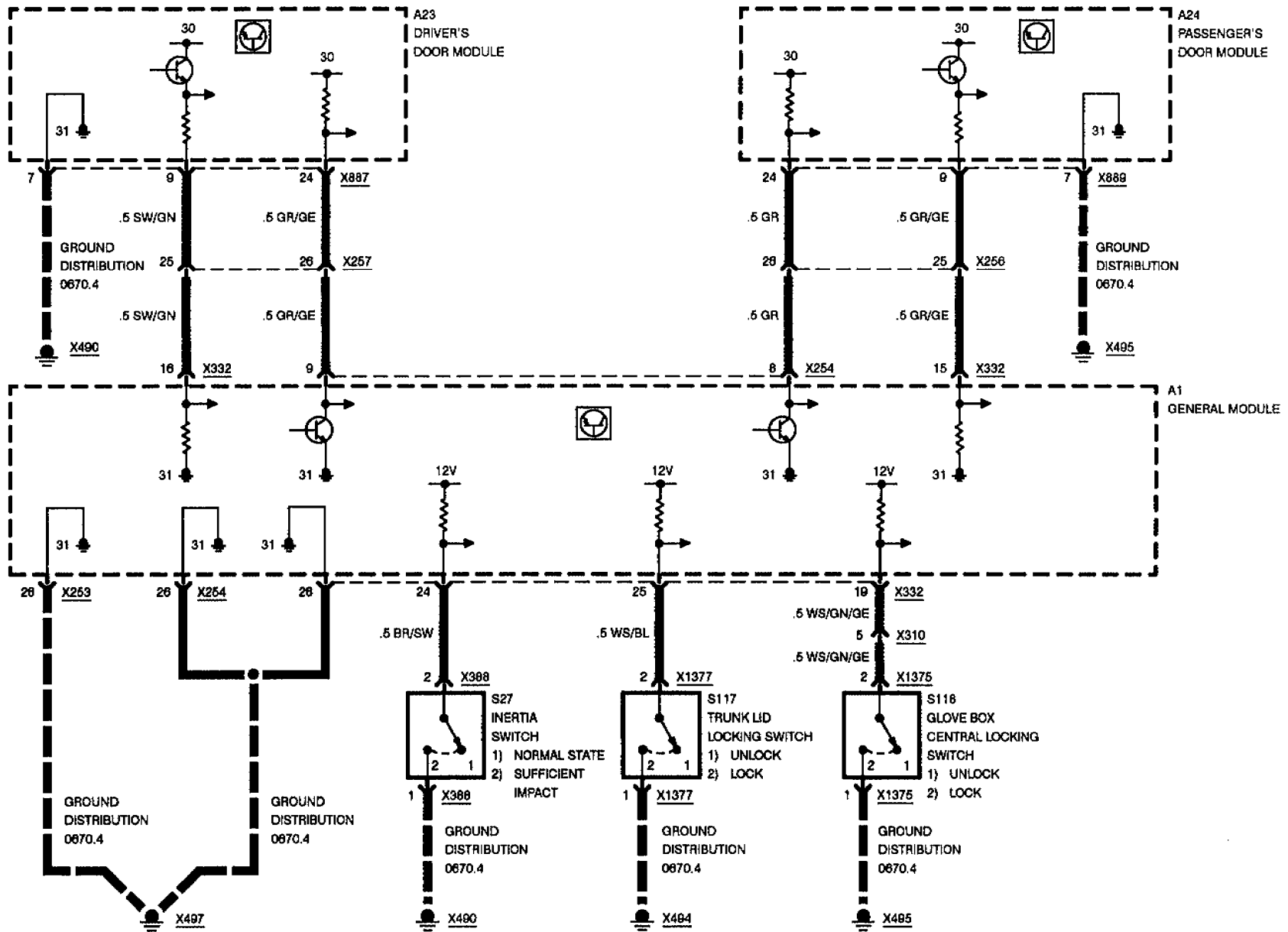
ZKE CENTRAL LOCKING (ZV)

(INPUTS)



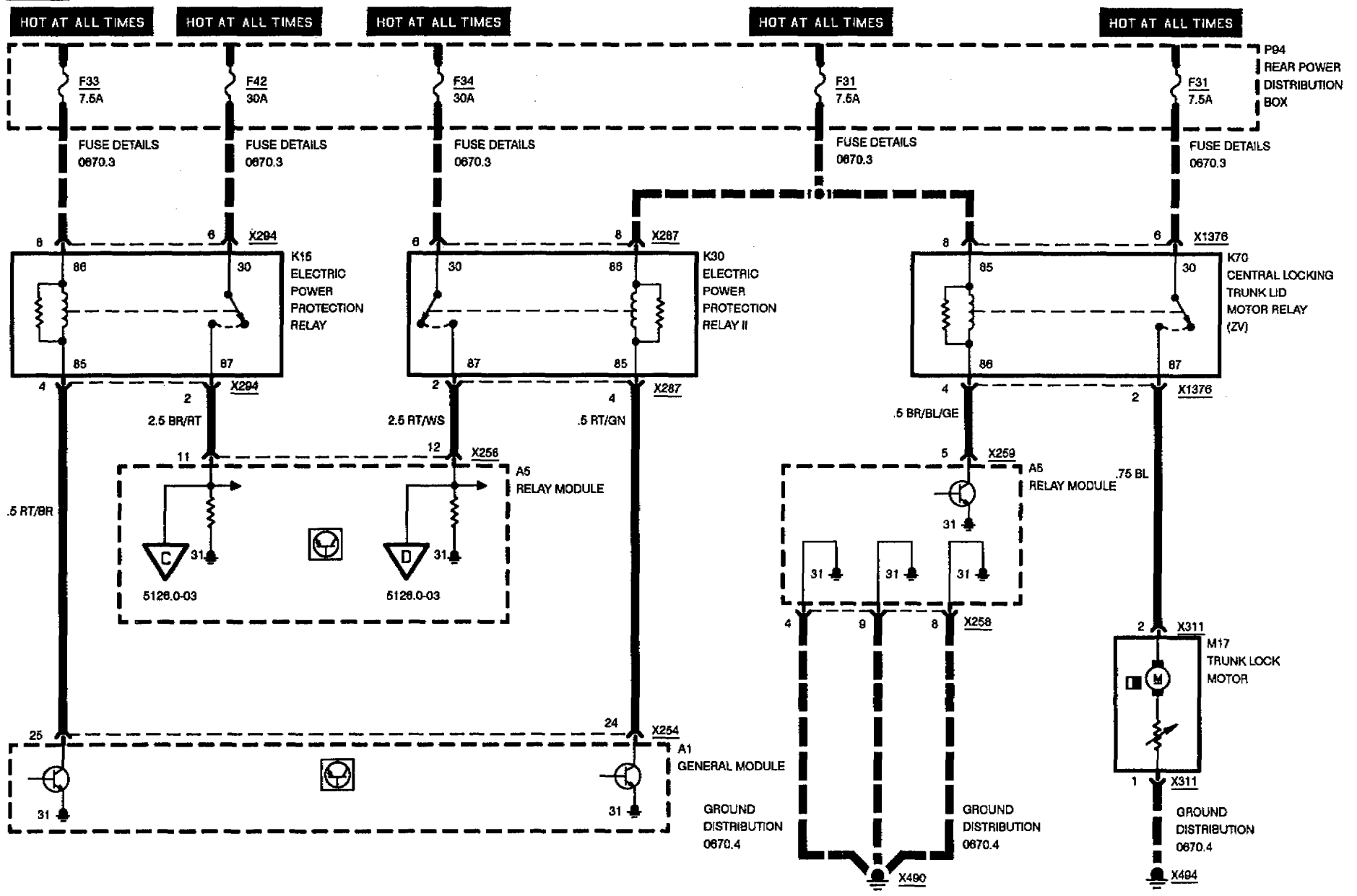


ZKE CENTRAL LOCKING (ZV) (INPUTS)





ZKE CENTRAL LOCKING (ZV)



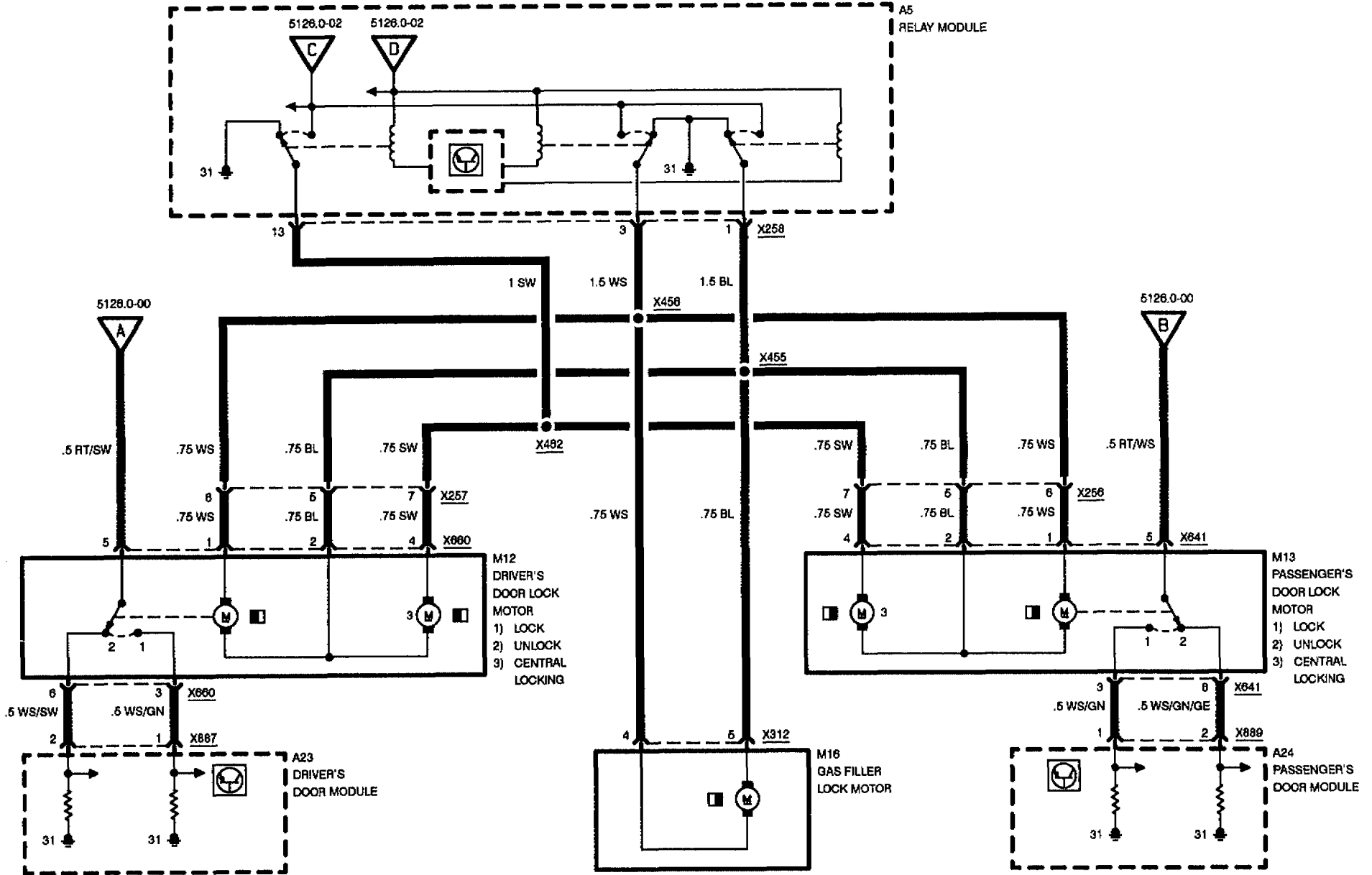
09/92

5126.0-02

1993

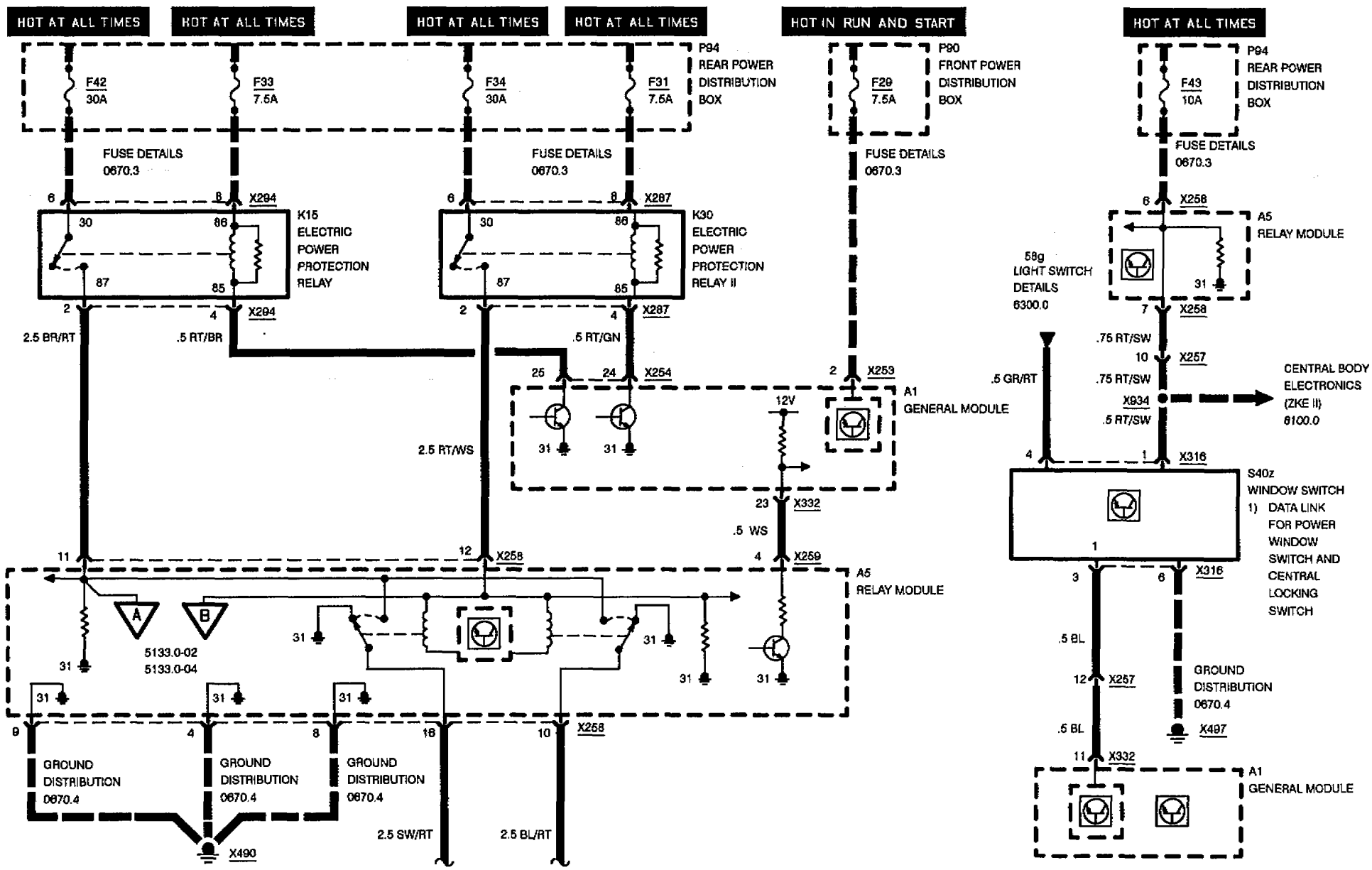


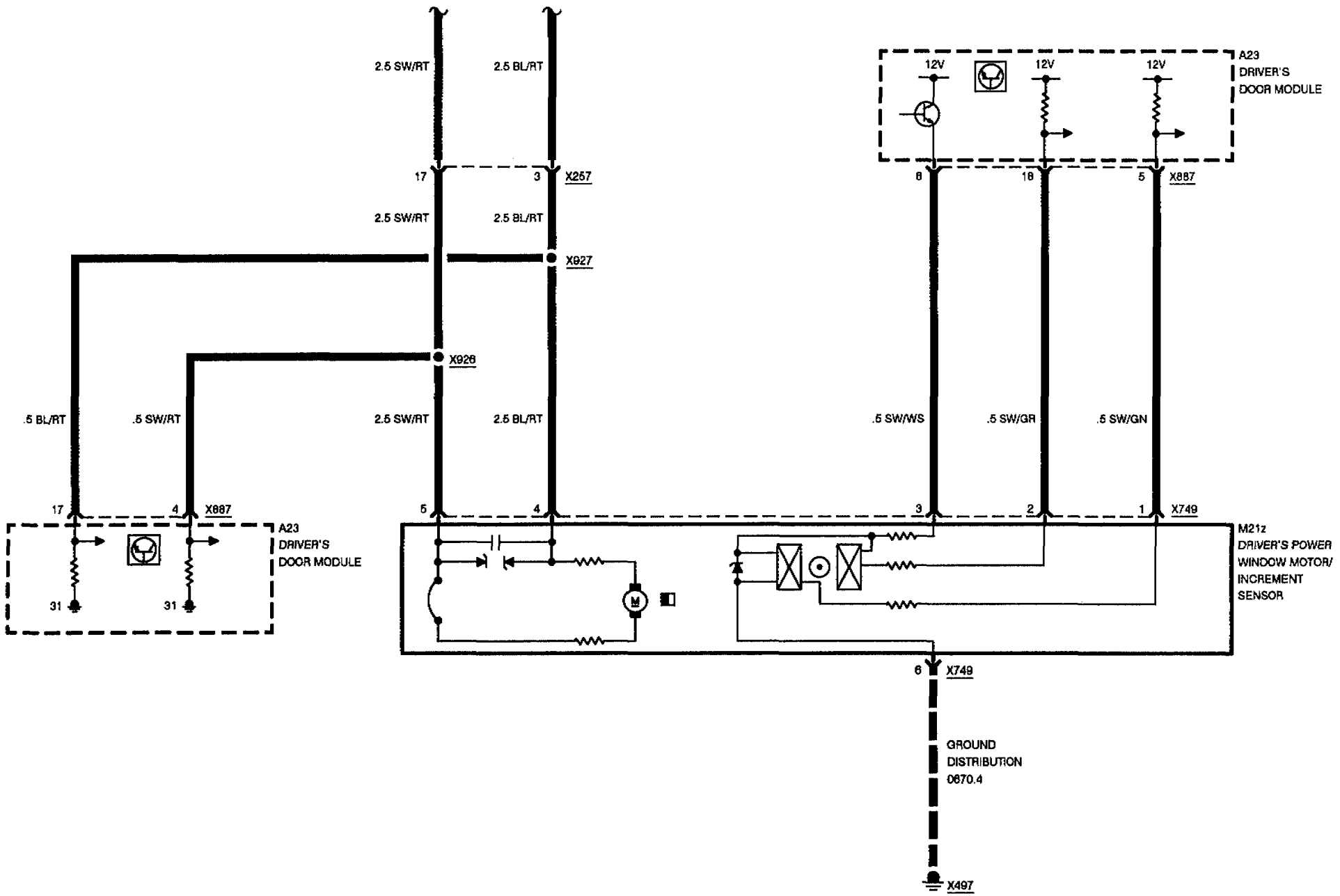
ZKE CENTRAL LOCKING (ZV) (OUTPUTS)





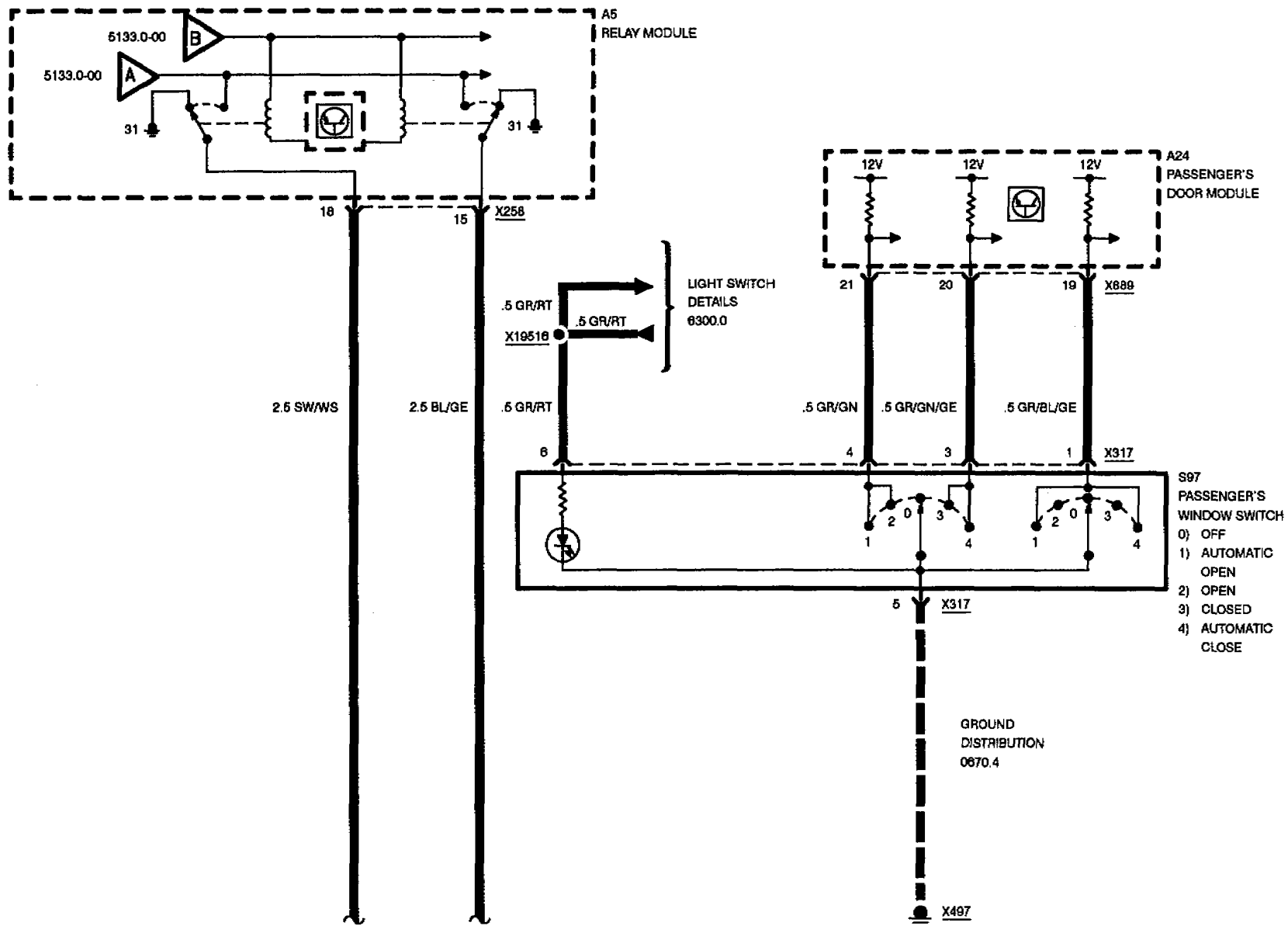
ZKE POWER WINDOWS (FH)

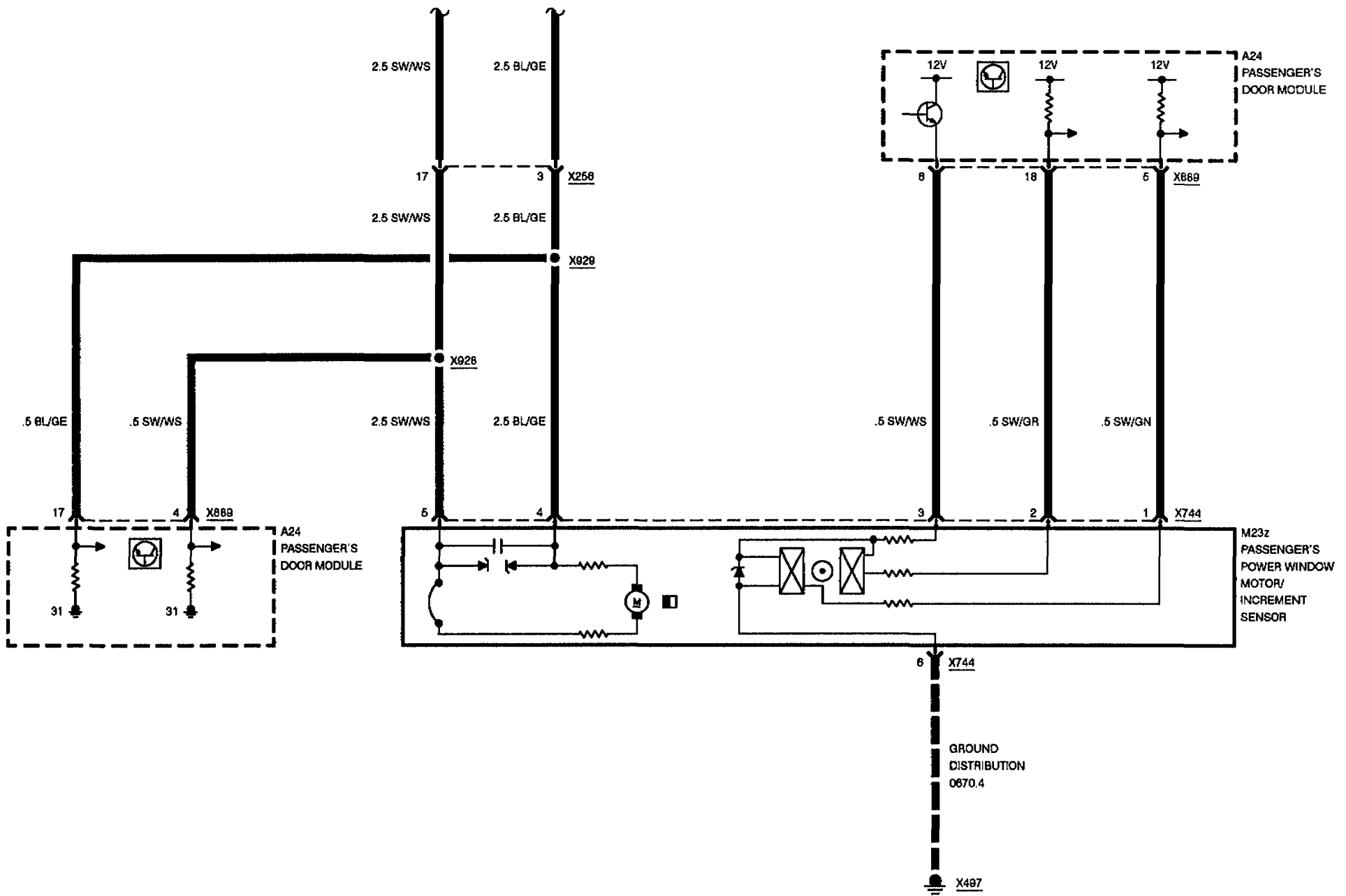






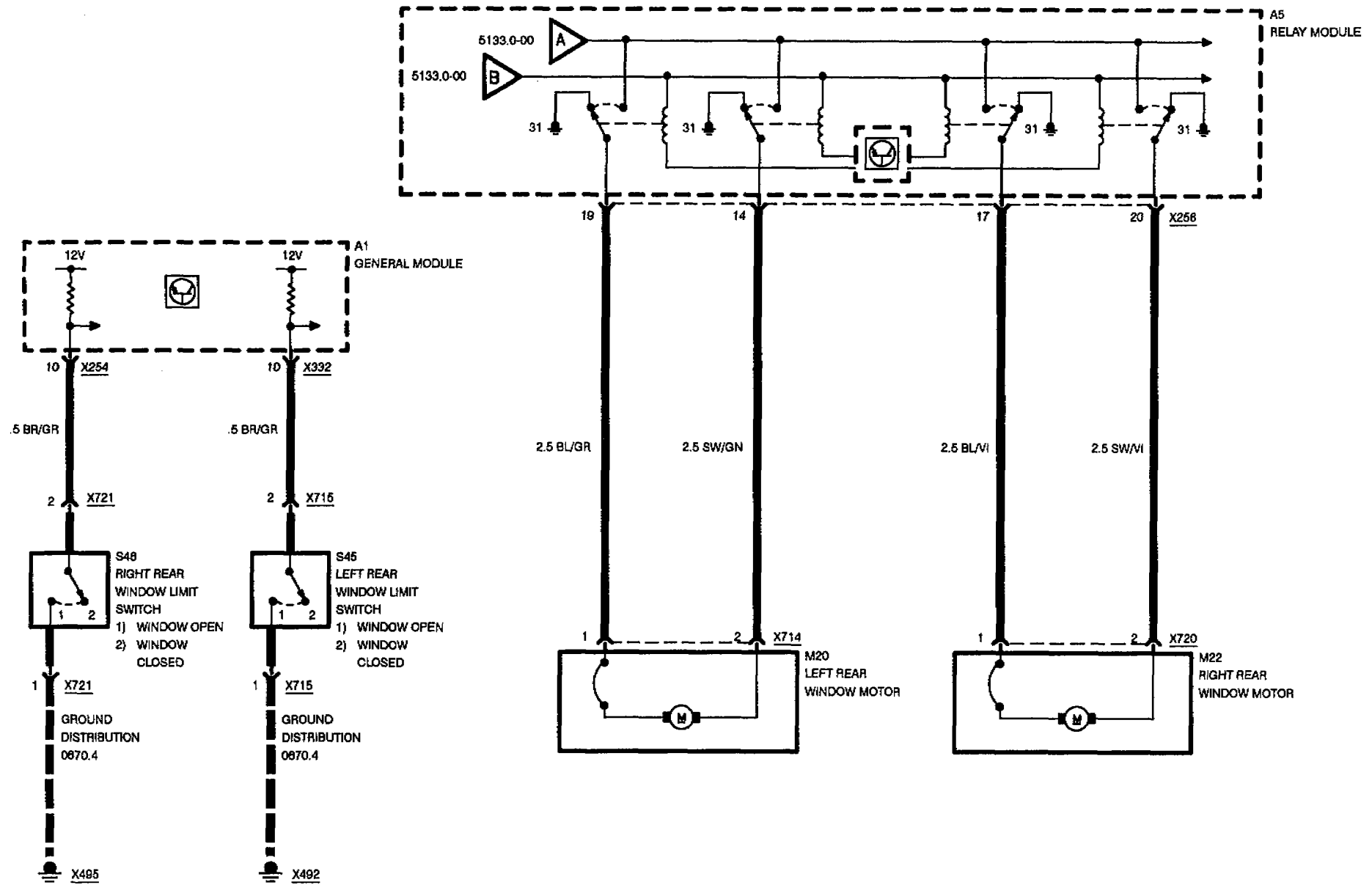
ZKE POWER WINDOWS (FH)







ZKE POWER WINDOWS (FH)

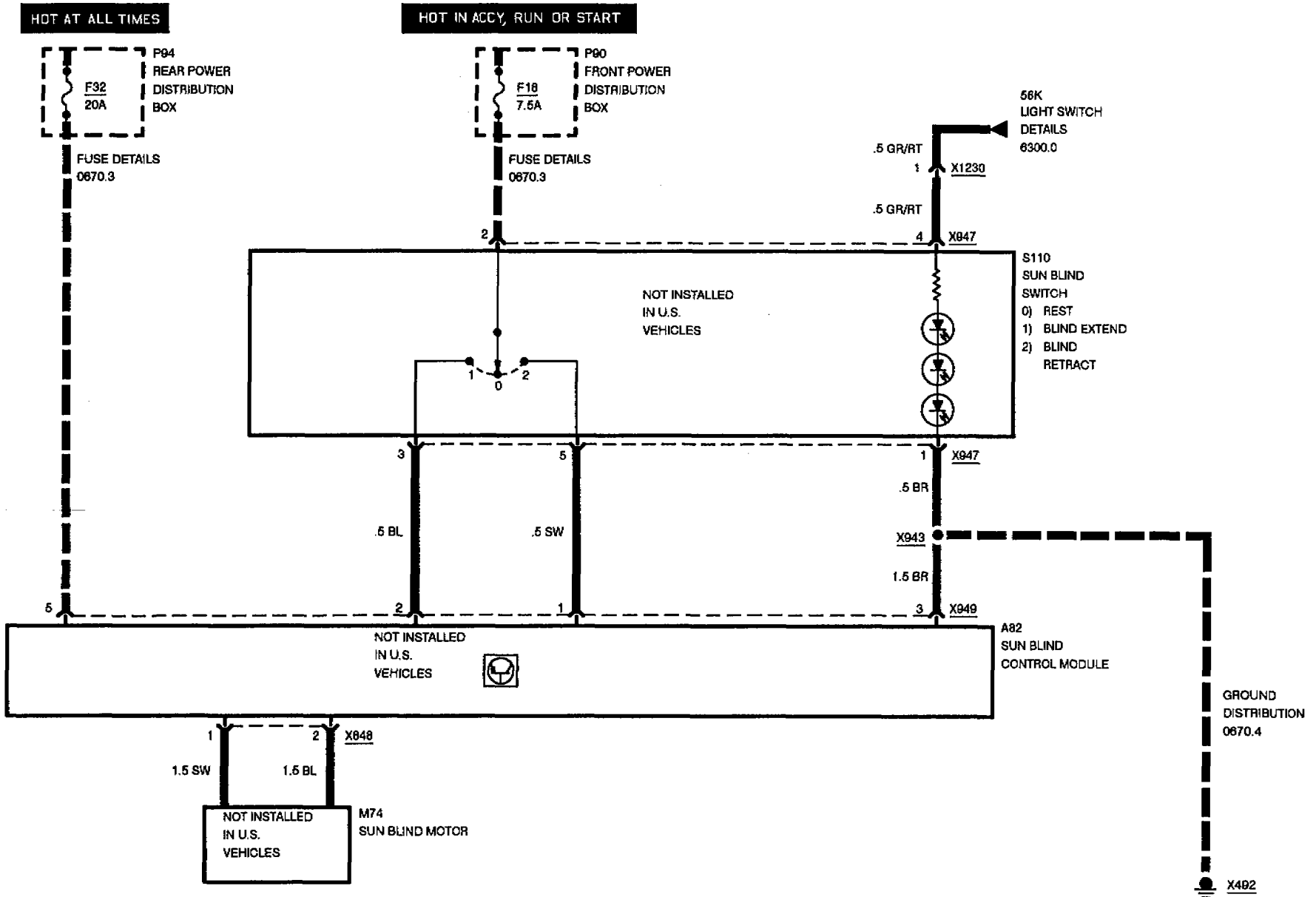


BMW
8



5146.0





BMW
8

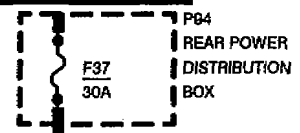
5200.0



POWER SEATS

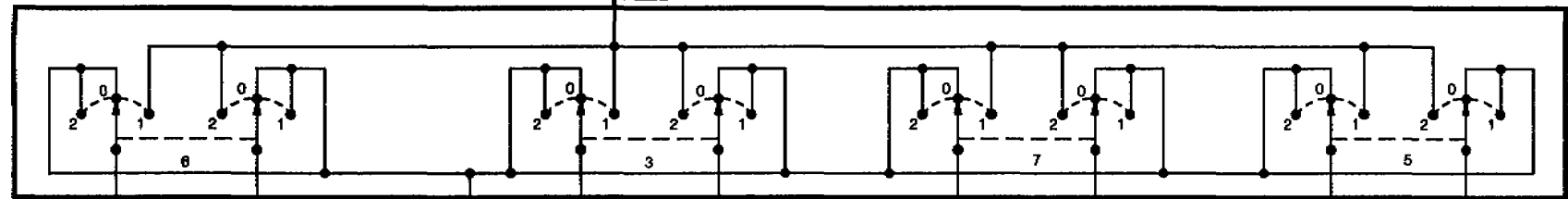
DRIVER'S SEAT

HOT AT ALL TIMES

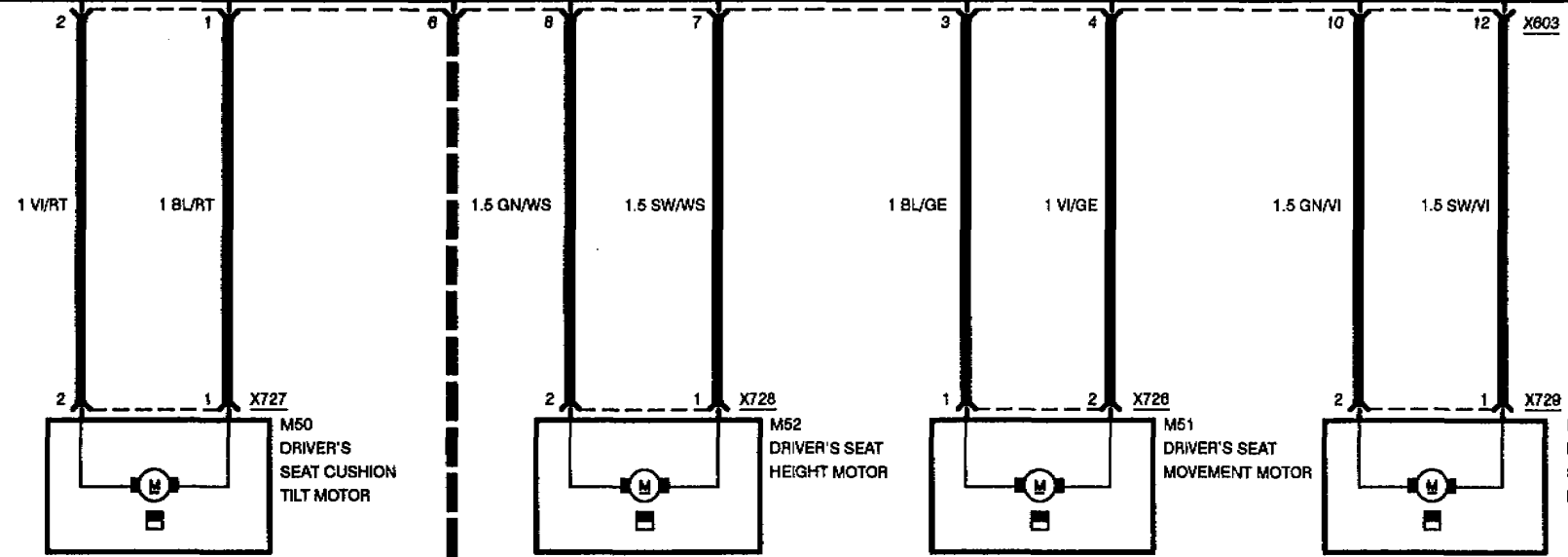


FUSE DETAILS
0670.3

5 X803



- S51
DRIVER'S SEAT,
SEAT CONTROL
SWITCH
- 9) SEAT HEIGHT SWITCH
 - 0) OFF
 - 1) UP
 - 2) DOWN
 - 5) SEATBACK SWITCH
 - 0) OFF
 - 1) FRONT
 - 2) BACK
 - 6) SEAT CUSHION TILT SWITCH
 - 0) OFF
 - 1) UP
 - 2) DOWN
 - 7) SEAT POSITION SWITCH
 - 0) OFF
 - 1) FRONT
 - 2) BACK

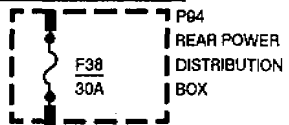




POWER SEATS

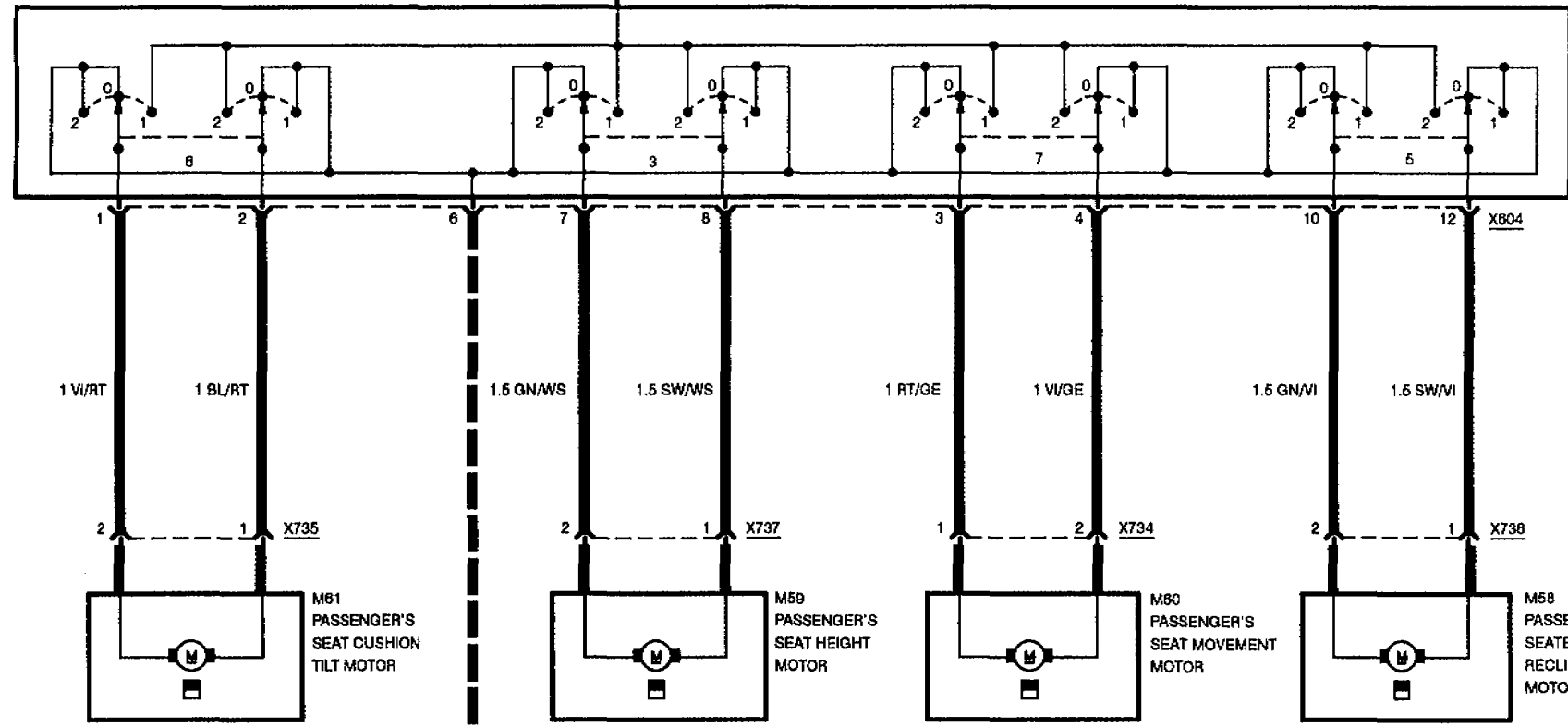
PASSENGER'S SEAT

HOT AT ALL TIMES



FUSE DETAILS
0870.3

5 X804



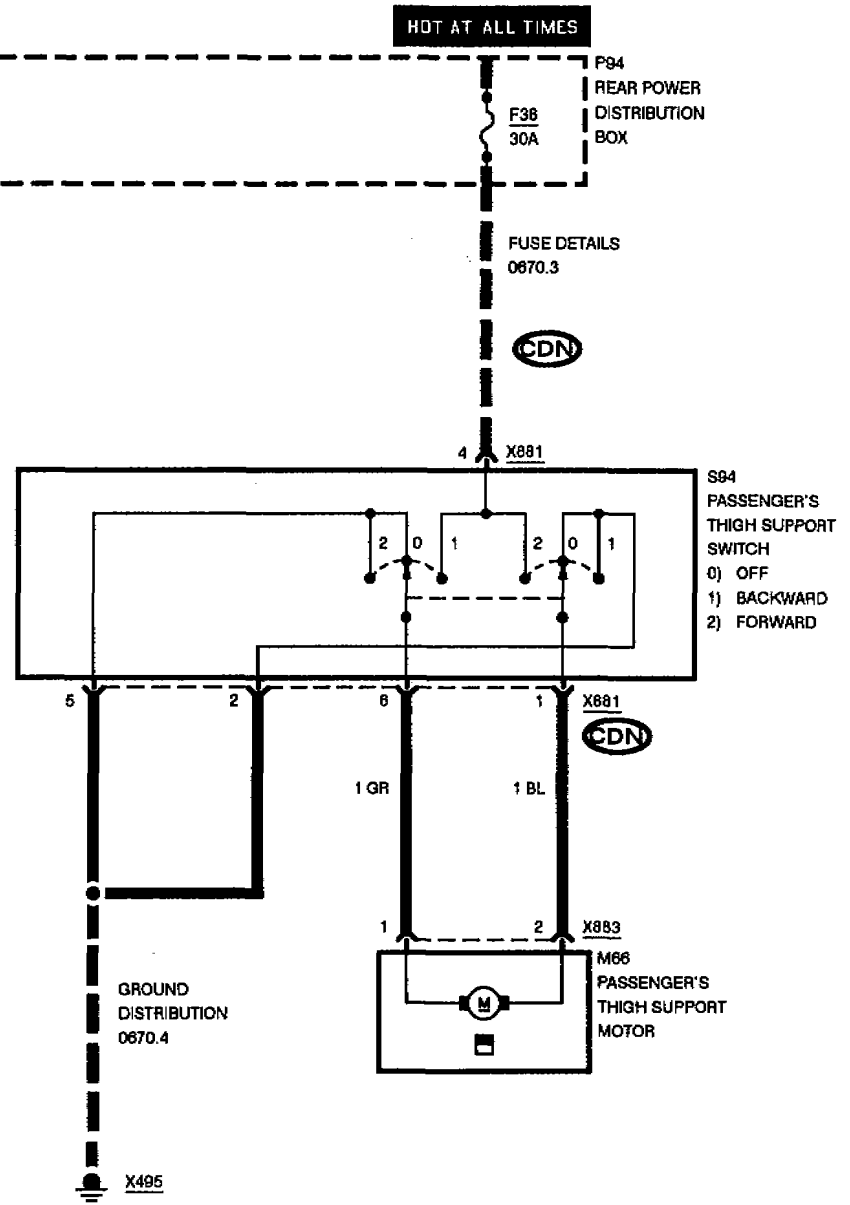
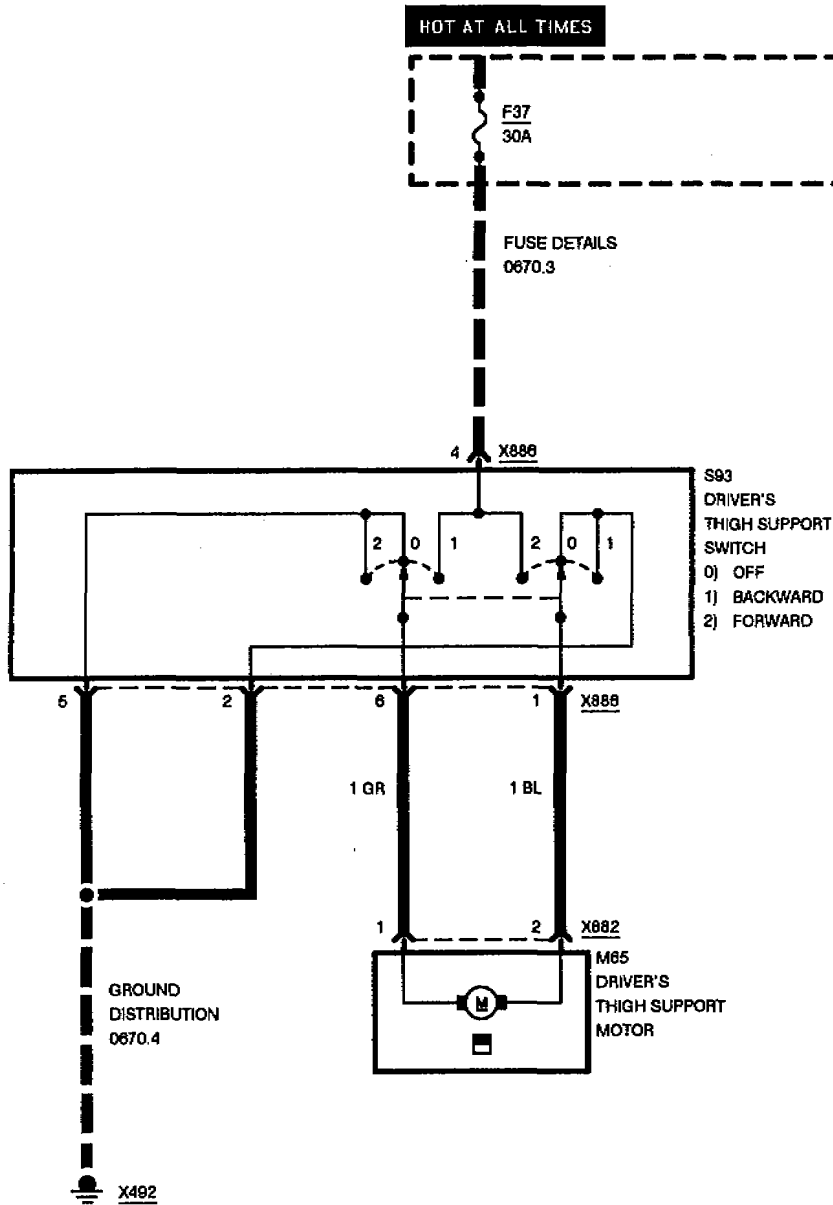
- S58
PASSENGER'S
SEAT
SEAT CONTROL
SWITCH
- 3) SEAT HEIGHT SWITCH
 - 0) OFF
 - 1) UP
 - 2) DOWN
 - 5) SEATBACK SWITCH
 - 0) OFF
 - 1) FRONT
 - 2) BACK
 - 6) SEAT CUSHION TILT SWITCH
 - 0) OFF
 - 1) UP
 - 2) DOWN
 - 7) SEAT POSITION SWITCH
 - 0) OFF
 - 1) FRONT
 - 2) BACK

GROUND
DISTRIBUTION
0870.4

X495

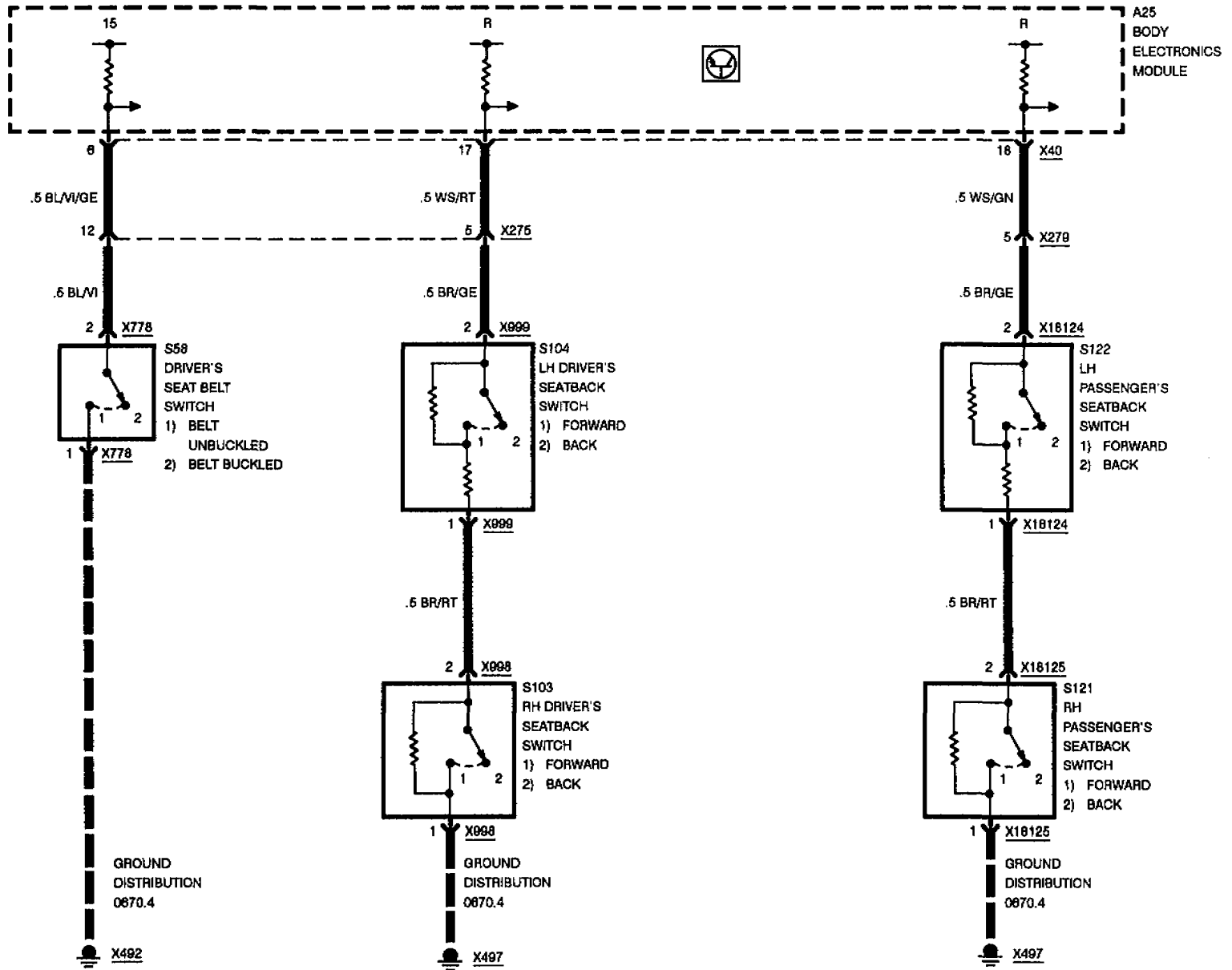


POWER SEATS HIGH SUPPORT

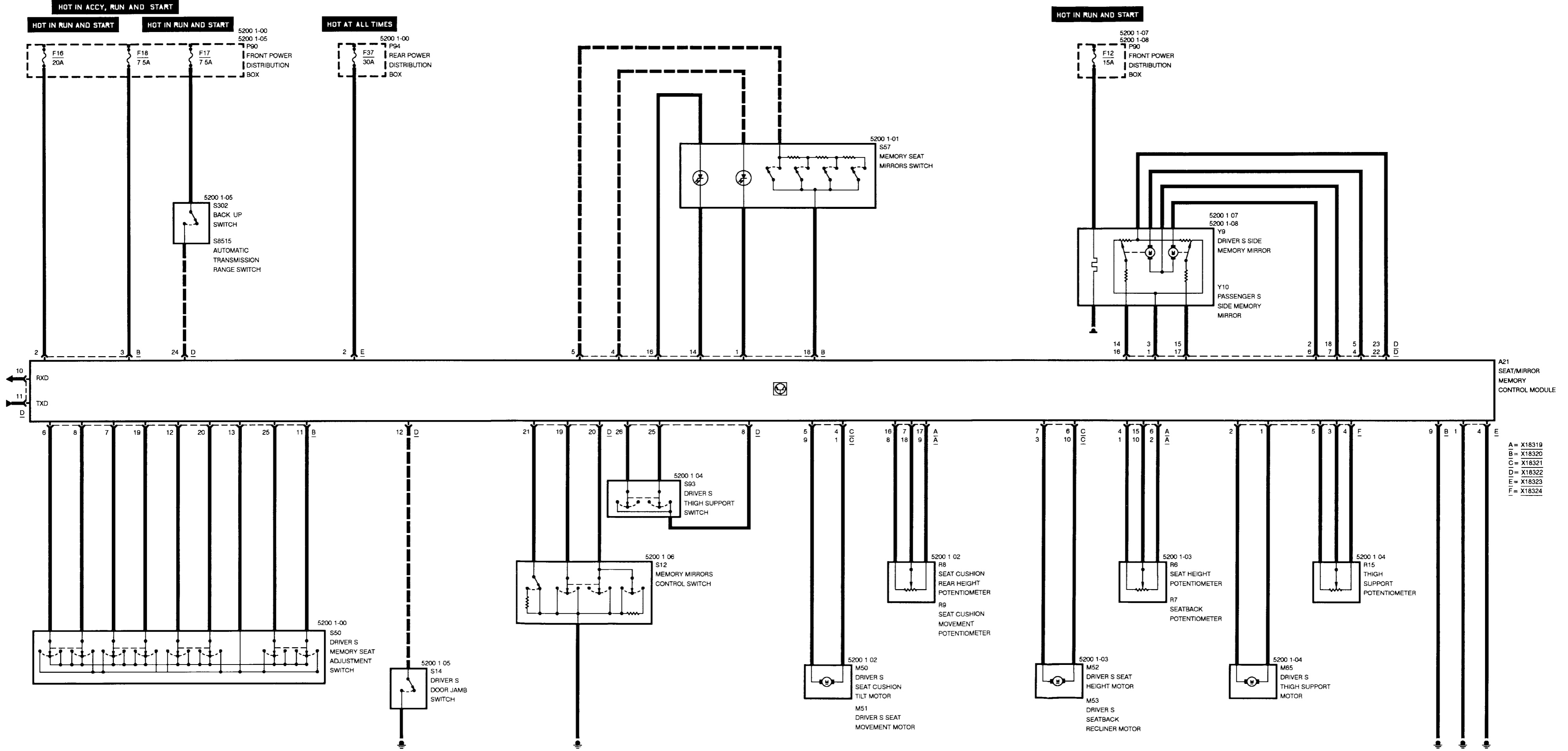




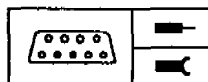
POWER SEATS







- A = X18319
- B = X18320
- C = X18321
- D = X18322
- E = X18323
- F = X18324



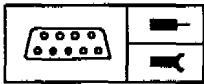
Pin Assignments

A=X18319	18 pins, black
B=X18320	26 pins, white
C=X18321	10 pins, black
D=X18322	26 pins, black
E=X18323	4 pins, black
F=X18324	5 pins, black

X18319

Pin	Type	Description/Function	Connection
1	A	Potentiometer voltage	Driver's seat back potentiometer
2	M	Ground	Driver's seat back potentiometer
3		Not used	
4	A	Potentiometer voltage	Driver's seat height potentiometer
5		Not used	
6	M	Ground	Driver's seat height potentiometer
7	E	Seat rear height signal	Driver's seat rear height potentiometer
8	A	Potentiometer voltage	Driver's seat movement potentiometer
9	M	Ground	Driver's seat movement potentiometer
10	E	Seat back position signal	Driver's seat back potentiometer
11		Not used	
12		Not used	
13		Not used	
14		Not used	
15	E	Seat height position signal	Driver's seat height potentiometer
16	A	Potentiometer voltage	Driver's seat rear height potentiometer
17	M	Ground	Driver's saet rear height potentiometer
18	E	Seat cushion position signal	Driver's seat movement potentiometer

E = Input, A = Output, M = Ground

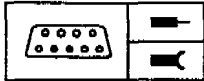


Pin Assignments

X18320

Pin	Type	Description/Function	Connection
1	E	Memory switch connection	Memory switch
2	E	Terminal 15 voltage	Fuse
3	E	Terminal R voltage	Fuse
4	E	Memory switch connection	Memory switch
5	E	Memory switch pin 1	Memory switch
6	E	Seat movement forward	Seat adjustment switch
7	E	Tilt up	Seat adjustment switch
8	E	Seat movement back	Seat adjustment switch
9	M	Ground	Ground point
10		Not used	
11	E	Backrest back	Seat adjustment switch
12	E	Height up	Seat adjustment switch
13	M	Ground	Seat adjustment switch
14	A	Illumination	Memory switch
15		Not used	
16	A	Illumination	Memory switch
17		Not used	
18	E	Memory switch connection	Memory switch
19	E	Tilt down	Seat adjustment switch
20	E	Height down	Seat adjustment switch
21		Not used	
22		Not used	
23		Not used	
24		Not used	
25	E	Backrest forward	Seat adjustment switch
26		Not used	

E = Input, A = Output, M = Ground



Pin Assignments

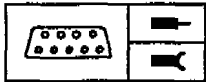
X18321

Pin	Type	Description/Function	Connection
1	E/A	Motor voltage/ground	Driver's seat movement motor
2		Not used	
3	E/A	Motor voltage/ground	Driver's seat back recliner motor
4	E/A	Motor voltage/ground	Driver's seat cushion tilt motor
5	E/A	Motor voltage/ground	Driver's seat cushion tilt motor
6	E/A	Motor voltage/ground	Driver's seat height motor
7	E/A	Motor voltage/ground	Driver's seat height motor
8		Not used	
9	E/A	Motor voltage/ground	Driver's seat movement motor
10	E/A	Motor voltage/ground	Driver's seat back recliner motor

X18322

Pin	Type	Description/Function	Connection
1	E	Potentiometer connection	Passenger's mirror
2	A	Connection, driver's mirror adjustment motor	Driver's mirror
3	M	Ground	Driver's mirror
4	A	Connection, passenger's mirror adjustment motor	Passenger's mirror
5	A	Connection, driver's mirror adjustment motor	Driver's mirror
6	A	Connection, passenger's mirror adjustment motor	Passenger's mirror
7	A	Connection, passenger's mirror adjustment motor	Passenger's mirror
8	M	Ground	Thigh support switch
9		Not used	
10	A	Diagnosis (Rx/D)	Data link connector
11	E/A	Diagnosis (Tx/D)	Data link connector
12	E	Driver's door status	Driver's door jamb switch

E = Input, A = Output, M = Ground



Pin Assignments

Pin	Type	Description/Function	Connection
13		Not used	
14	E	Potentiometer connection	Driver's mirror
15	E	Potentiometer connection	Driver's mirror
16	E	Potentiometer connection	Passenger's mirror
17	E	Potentiometer connection	Passenger's mirror
18	A	Connection, driver's mirror adjustment motor	Driver's mirror
19	E	Mirror adjustment	Mirror control switch
20	E	Mirror adjustment	Mirror control switch
21	E	Mirror adjustment	Mirror control switch
22	E	Potentiometer connection	Passenger's mirror
23	E	Potentiometer connection	Driver's mirror
24	E	Reverse gear signal	Back-up switch
25	E	Thigh support forward	Thigh support switch
26	E	Thigh support backward	Thigh support switch

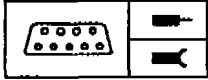
X18323

Pin	Type	Description/Function	Connection
1	M	Ground	Ground point
2	E	Terminal 30 voltage	Fuse
3		Not used	
4	M	Ground	Ground point

X18324

Pin	Type	Description/Function	Connection
1	E/A	Motor voltage/ground	Driver's seat thigh support motor
2	E/A	Motor voltage/ground	Driver's seat thigh support motor
3	E	Thigh support position signal	Driver's seat thigh support potentiometer

E = Input, A = Output, M = Ground



Pin Assignments

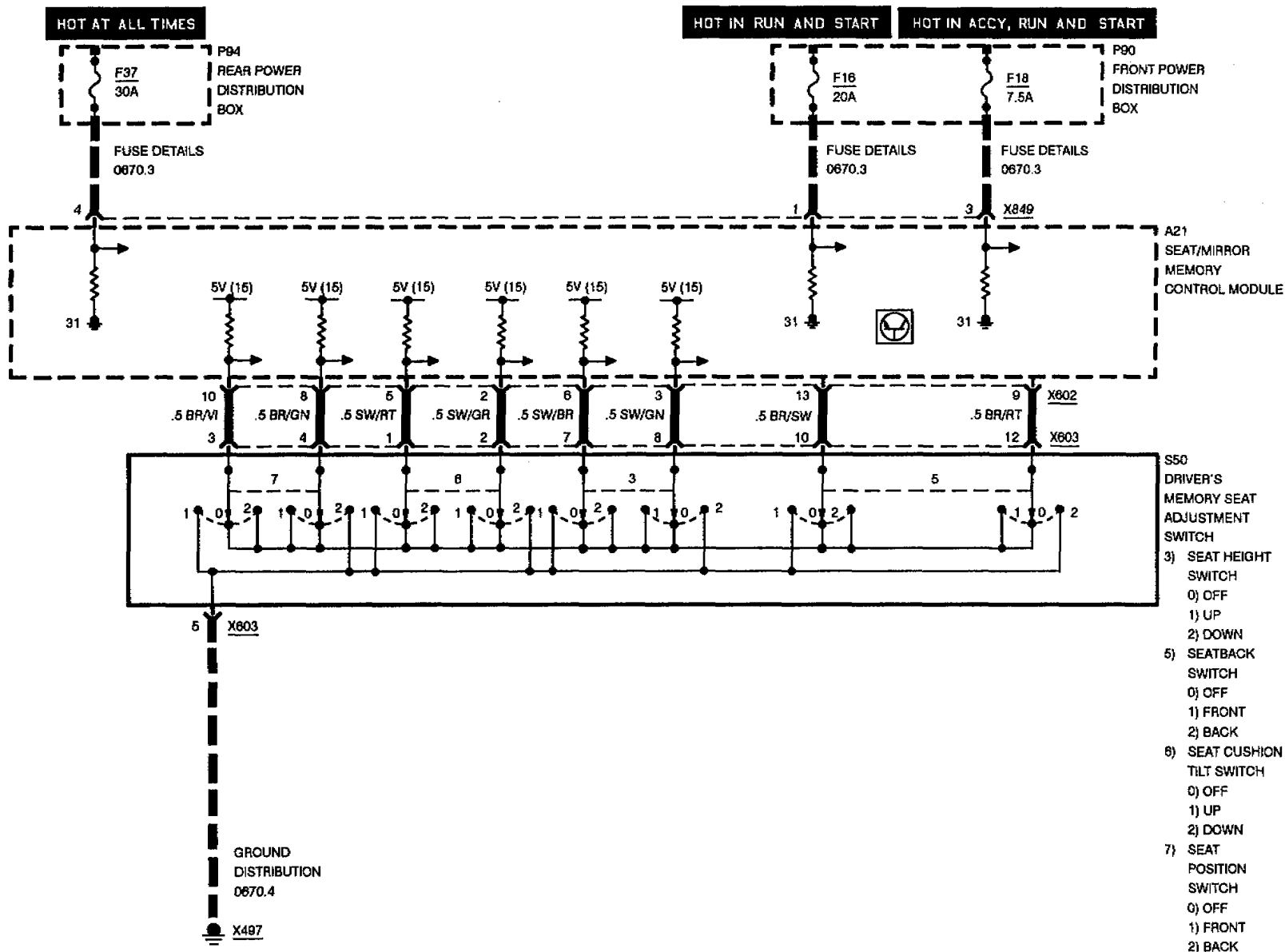
Pin	Type	Description/Function	Connection
4	M	Ground	Driver's seat thigh support potentiometer
5	A	Potentiometer voltage	Driver's seat thigh support potentiometer
6		Not used	

E = Input, A = Output, M = Ground



SEAT/MIRROR MEMORY SYSTEM (SM/SPM)

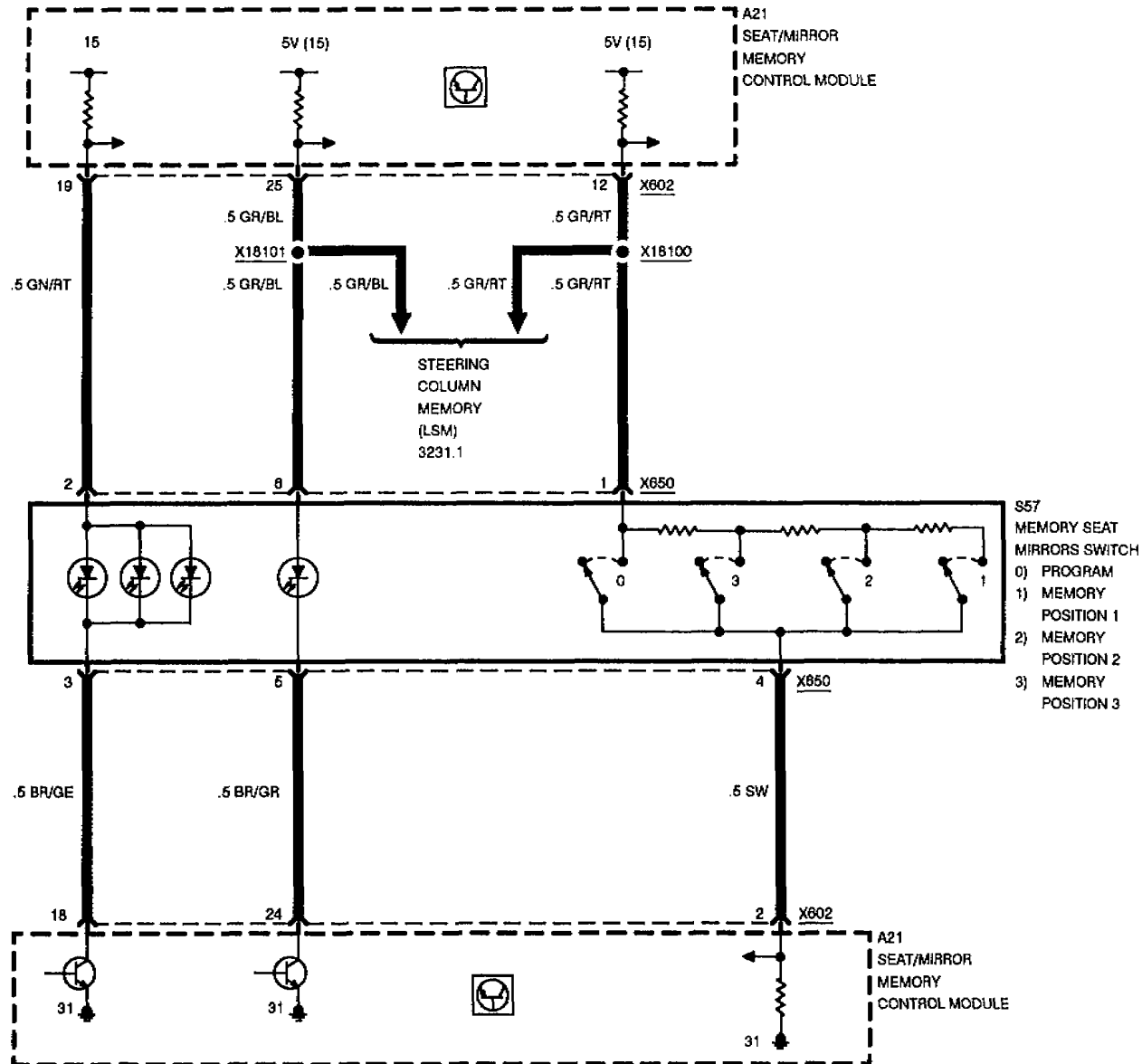
EARLY PRODUCTION





SEAT/MIRROR MEMORY SYSTEM (SM/SPM)

EARLY PRODUCTION

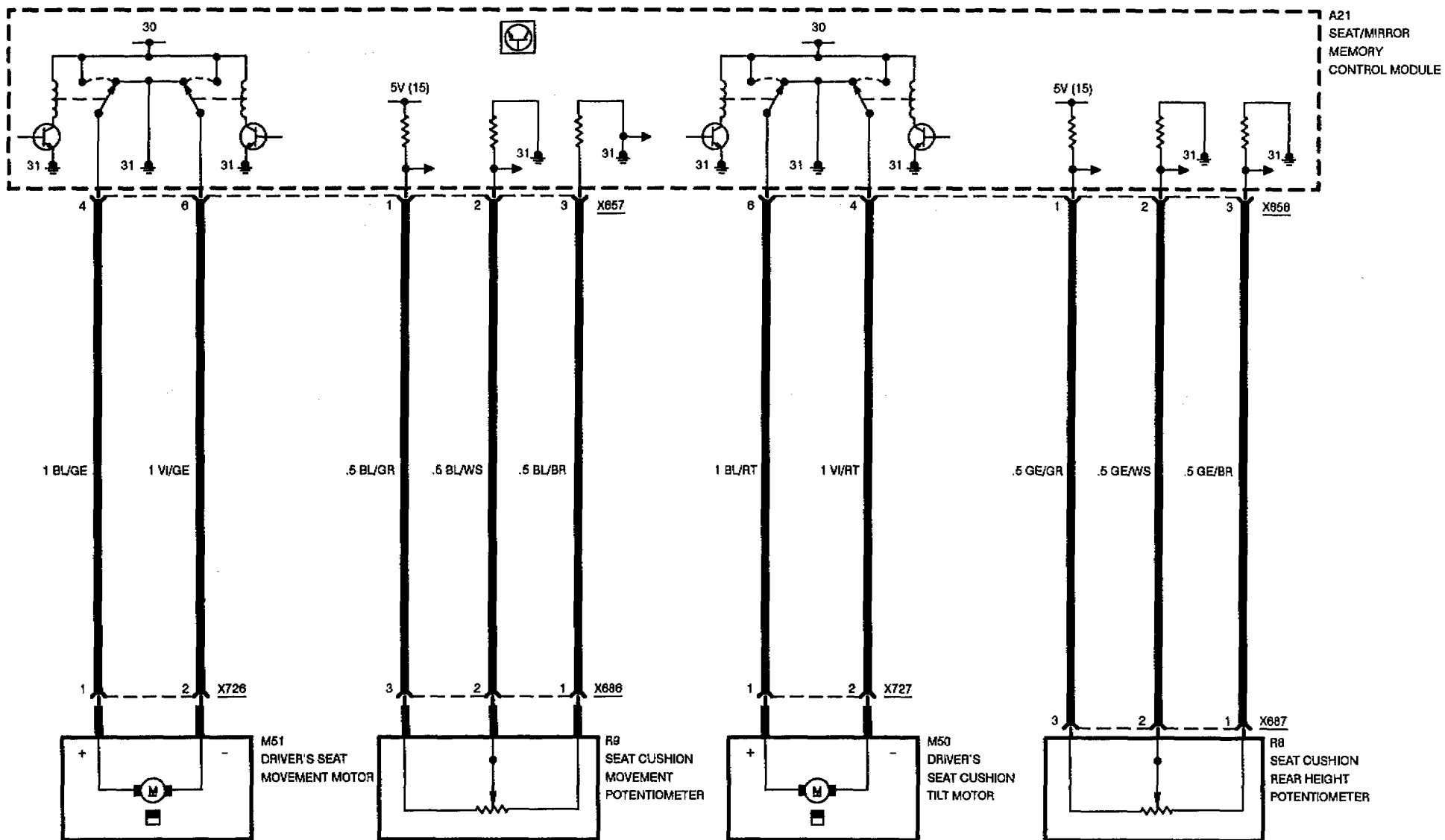




SEAT/MIRROR MEMORY SYSTEM (SM/SPM)

EARLY PRODUCTION

SEAT

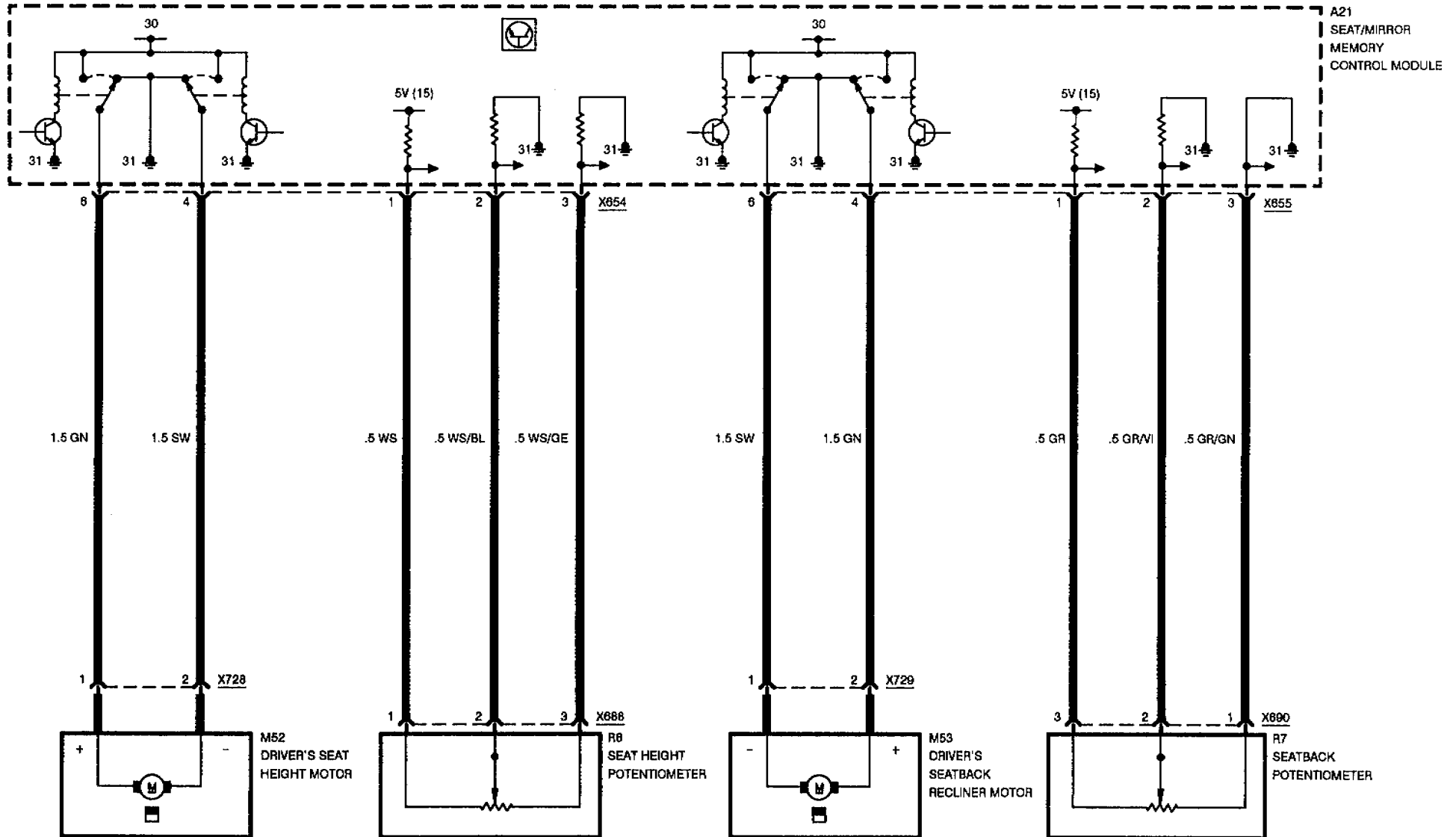




SEAT/MIRROR MEMORY SYSTEM (SM/SPM)

EARLY PRODUCTION

SEAT

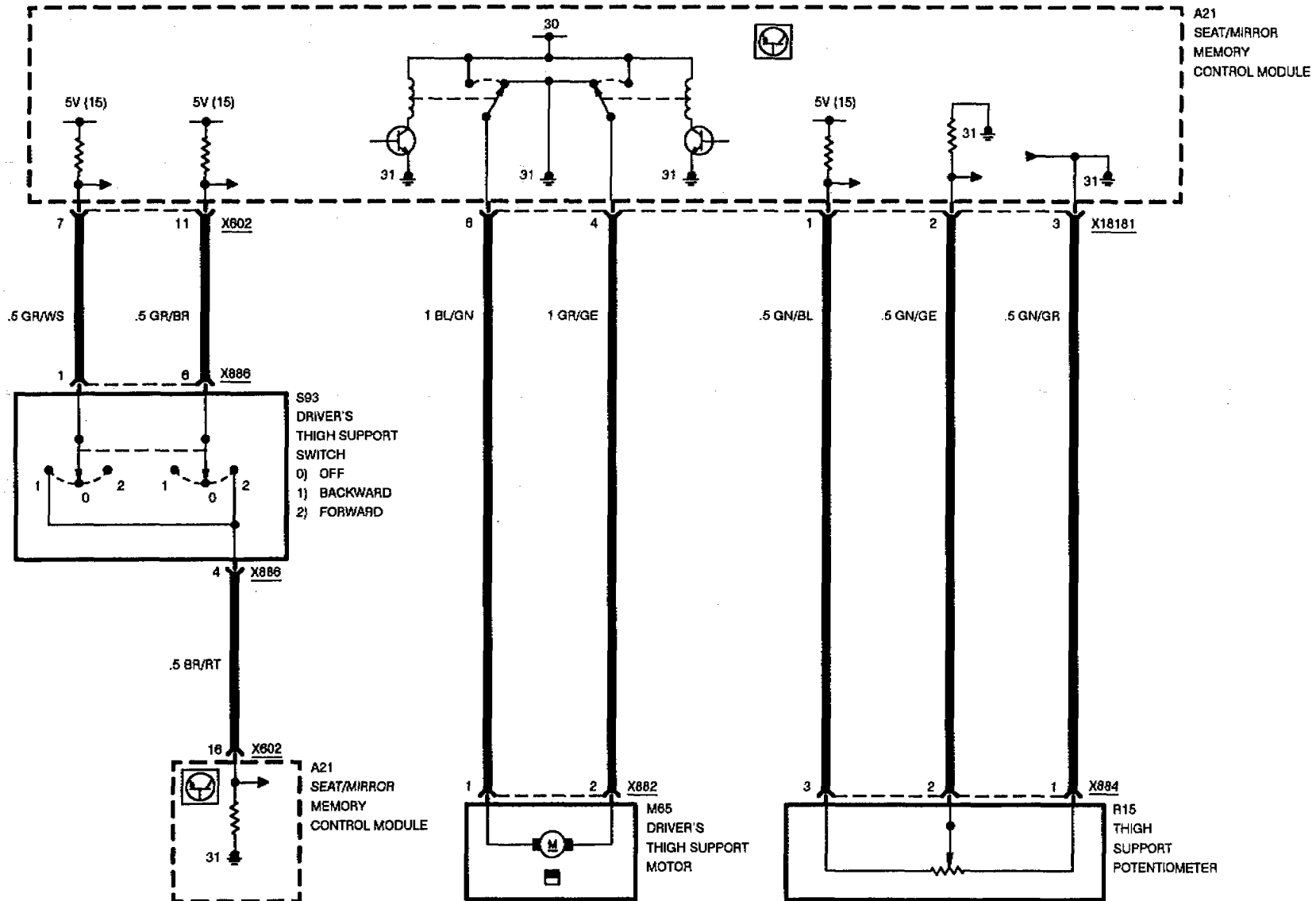




SEAT/MIRROR MEMORY SYSTEM (SM/SPM)

WITH SPORT SEAT

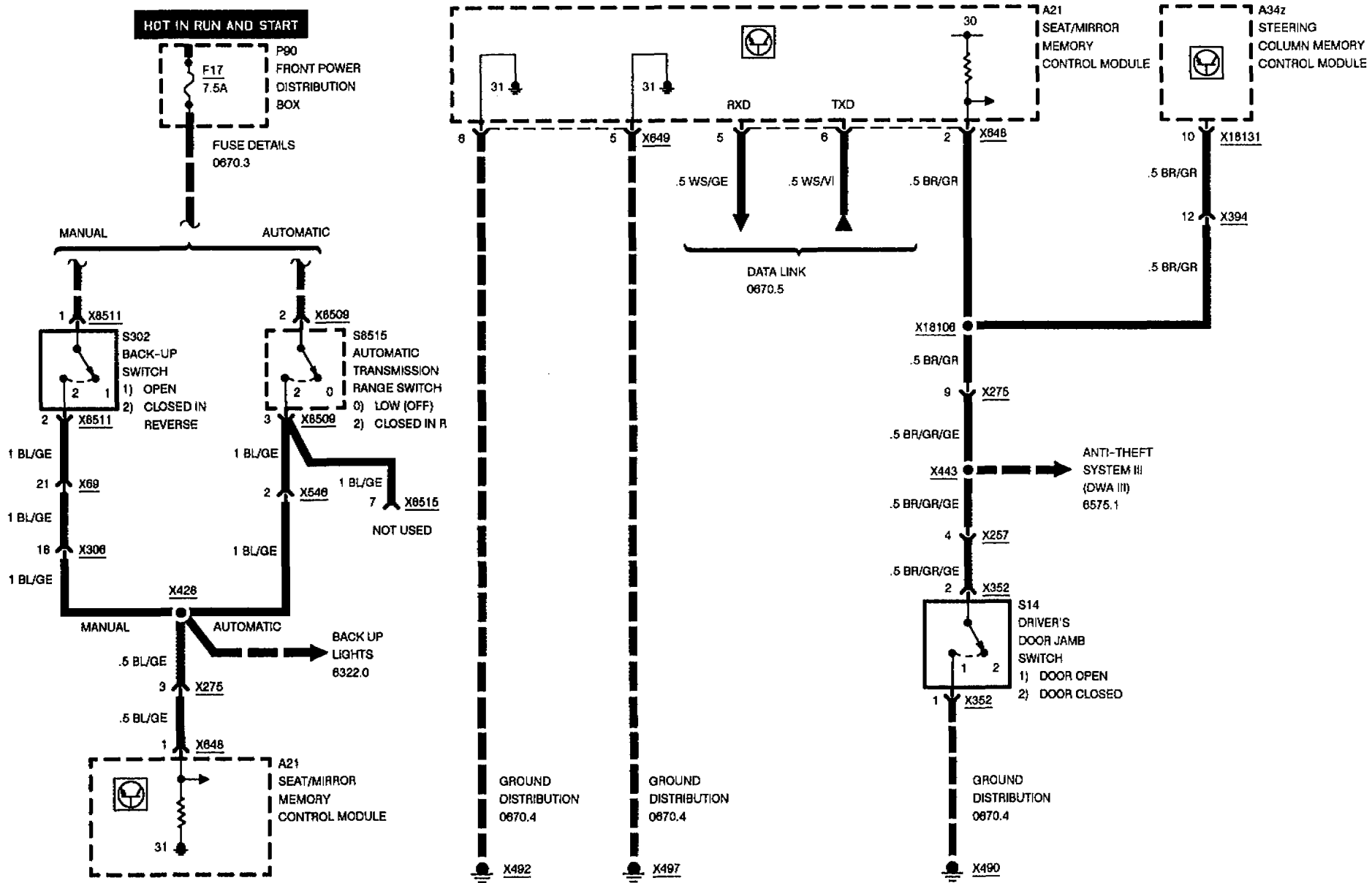
CDN EARLY PRODUCTION





SEAT/MIRROR MEMORY SYSTEM (SM/SPM)

EARLY PRODUCTION



12/93

5200.1-05

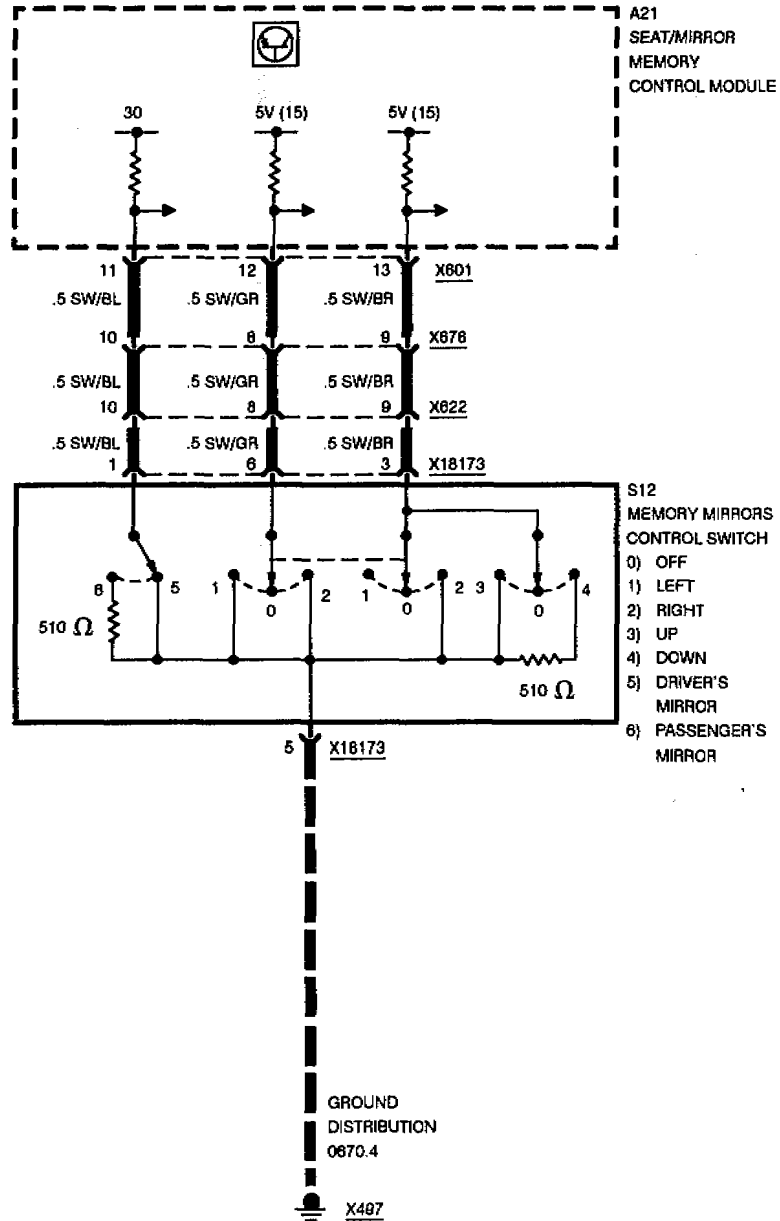
1993



SEAT/MIRROR MEMORY SYSTEM (SM/SPM)

MIRROR

EARLY PRODUCTION



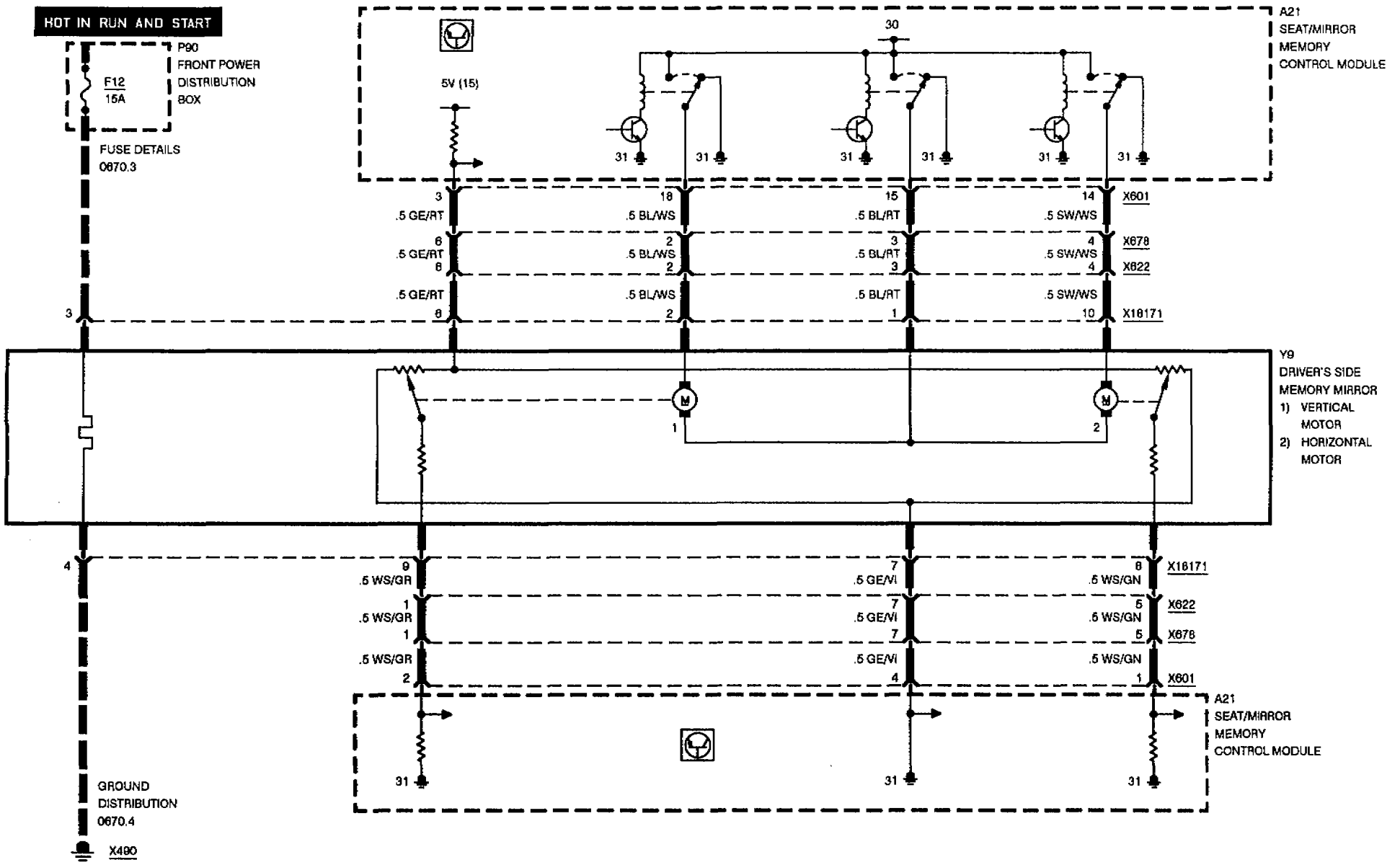


SEAT/MIRROR MEMORY SYSTEM (SM/SPM)

EARLY PRODUCTION

MIRROR

HOT IN RUN AND START



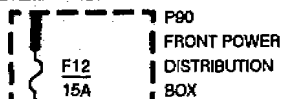


SEAT/MIRROR MEMORY SYSTEM (SM/SPM)

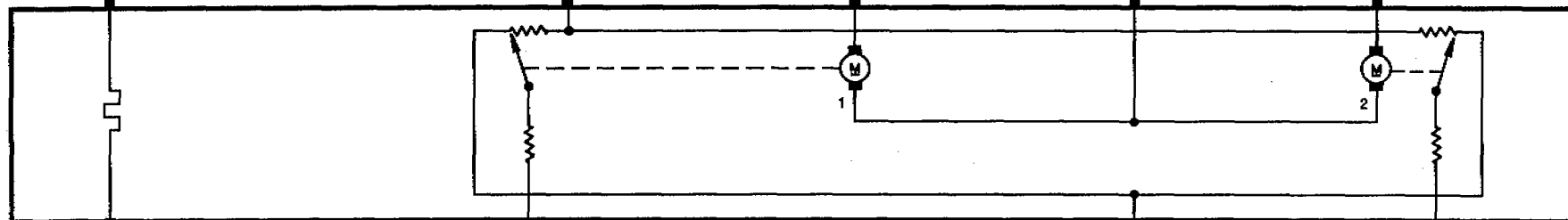
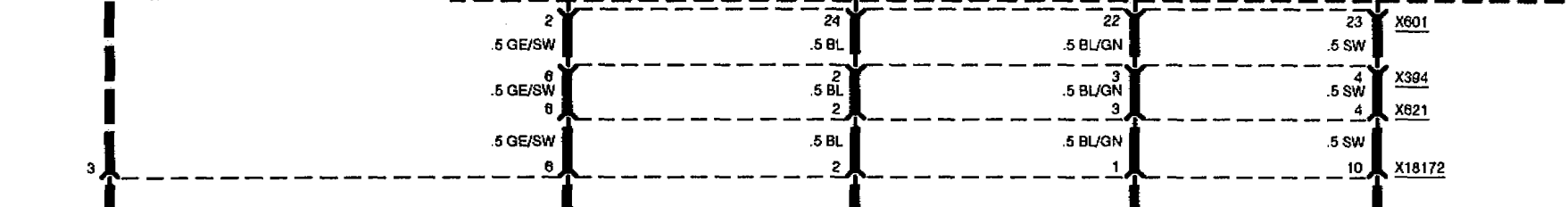
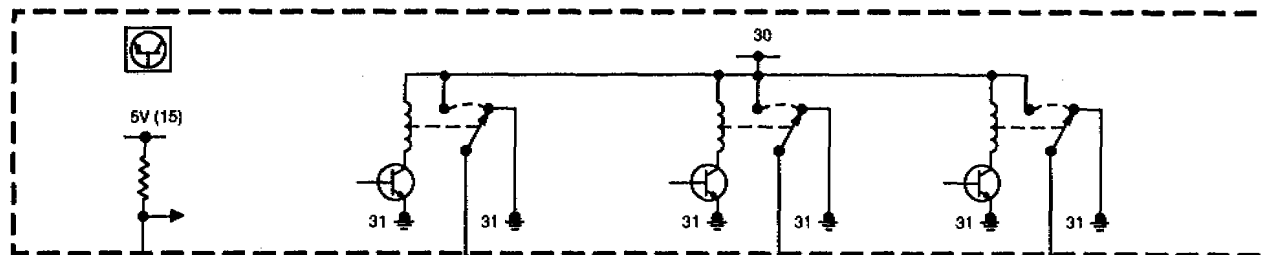
EARLY PRODUCTION

MIRROR

HOT IN RUN AND START



FUSE DETAILS
0870.3



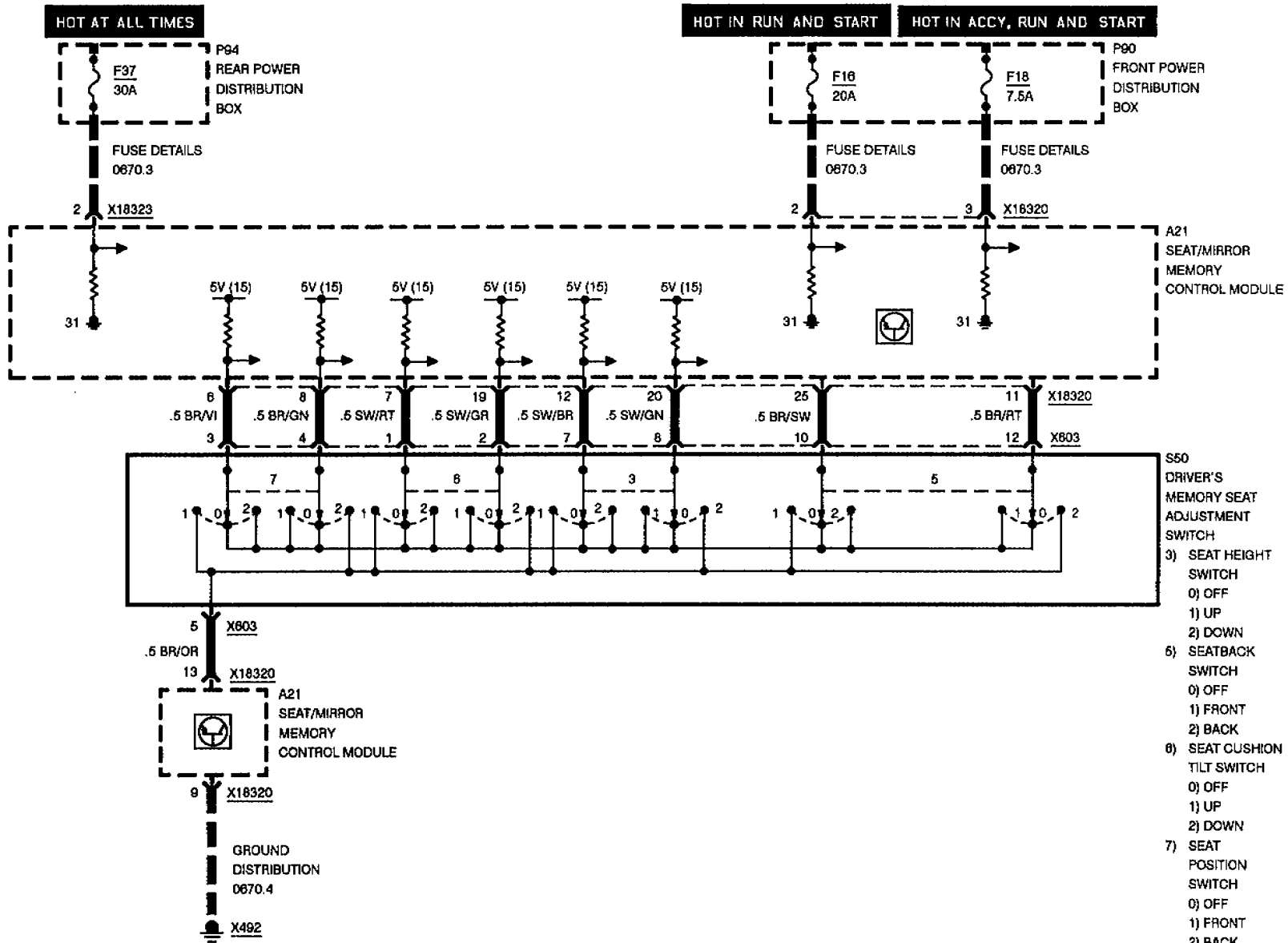
GROUND
DISTRIBUTION
0870.4

X495



SEAT/MIRROR MEMORY SYSTEM (SM/SPM)

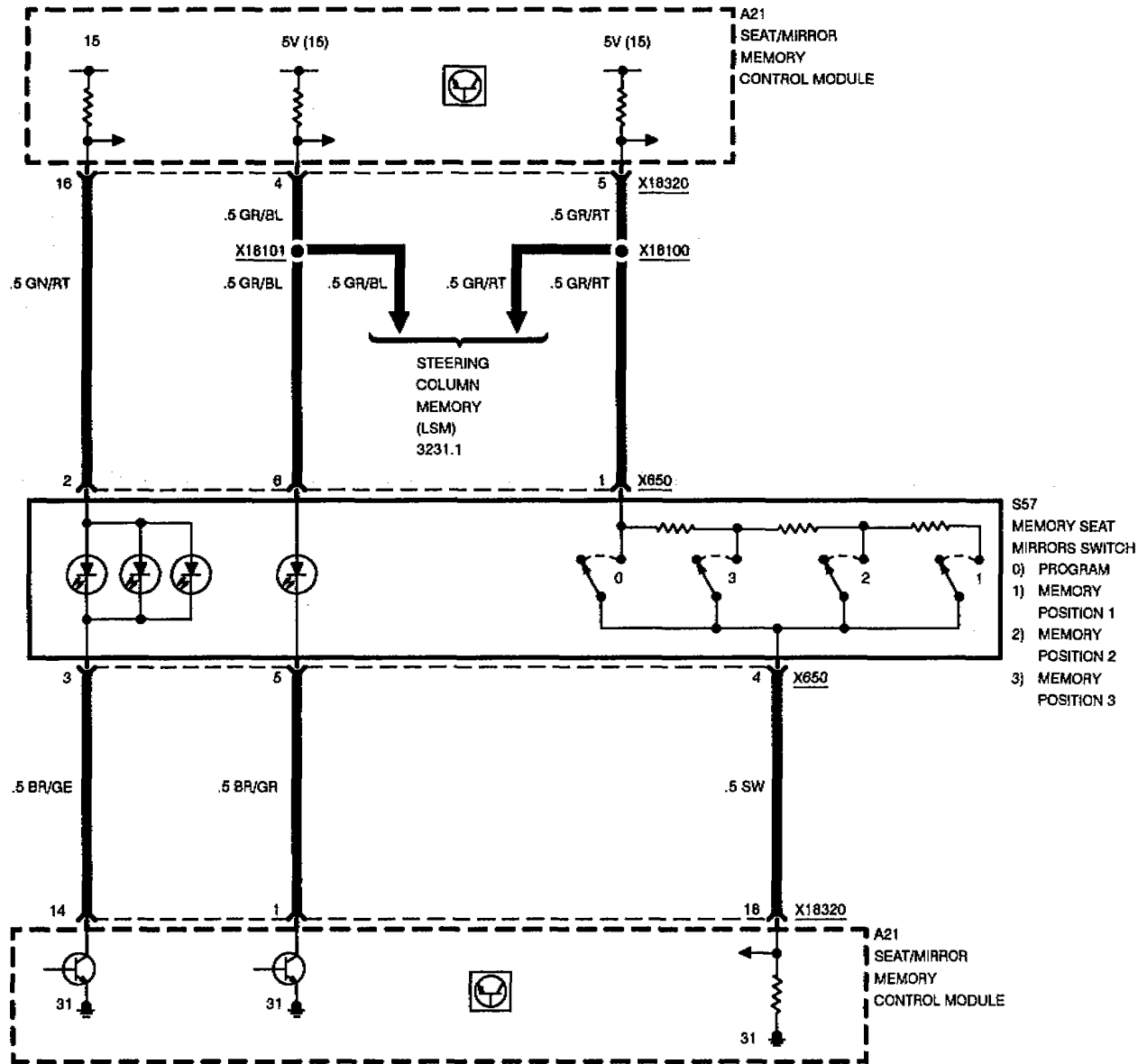
LATE PRODUCTION





SEAT/MIRROR MEMORY SYSTEM (SM/SPM)

LATE PRODUCTION

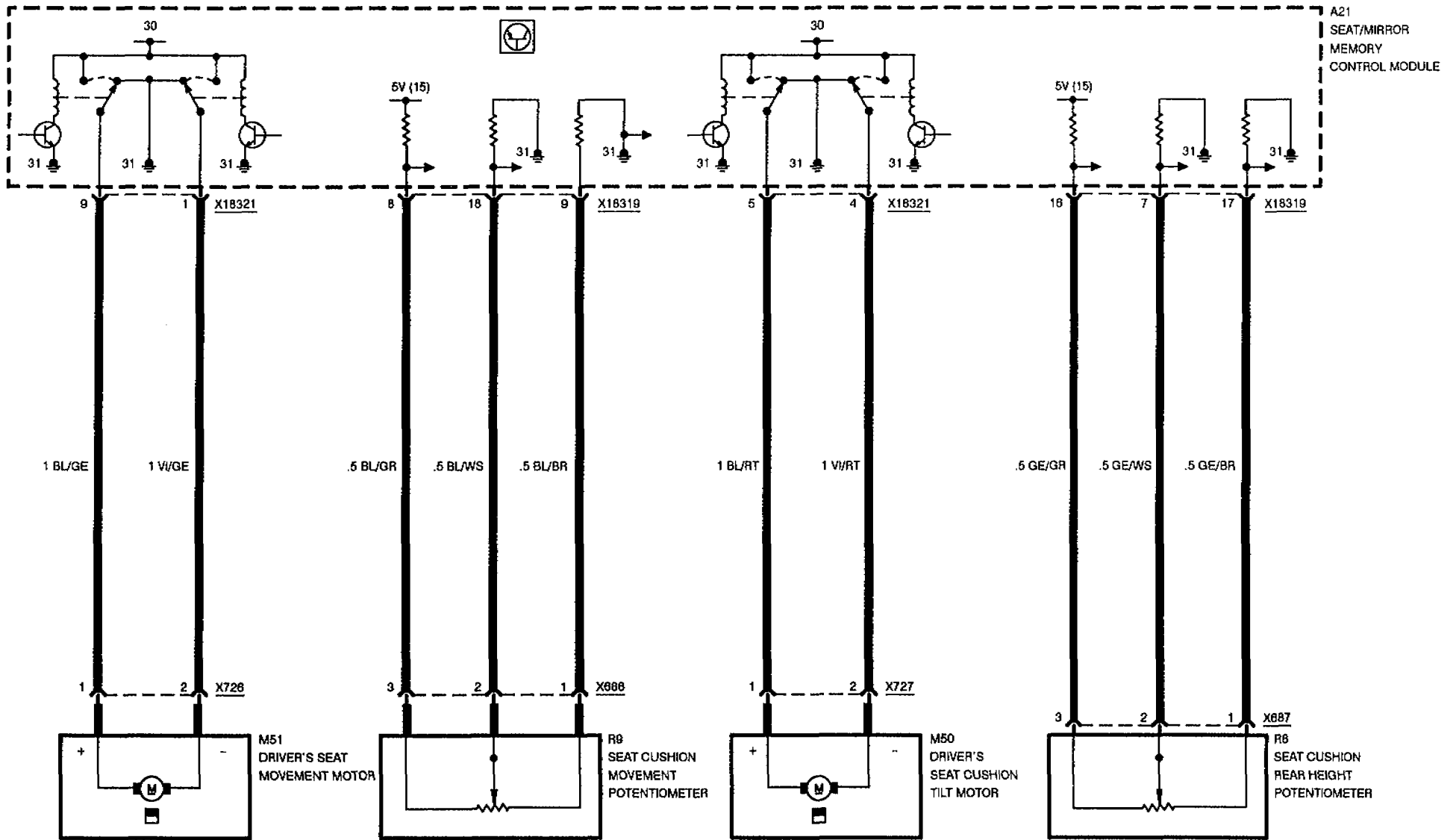




SEAT/MIRROR MEMORY SYSTEM (SM/SPM)

LATE PRODUCTION

SEAT

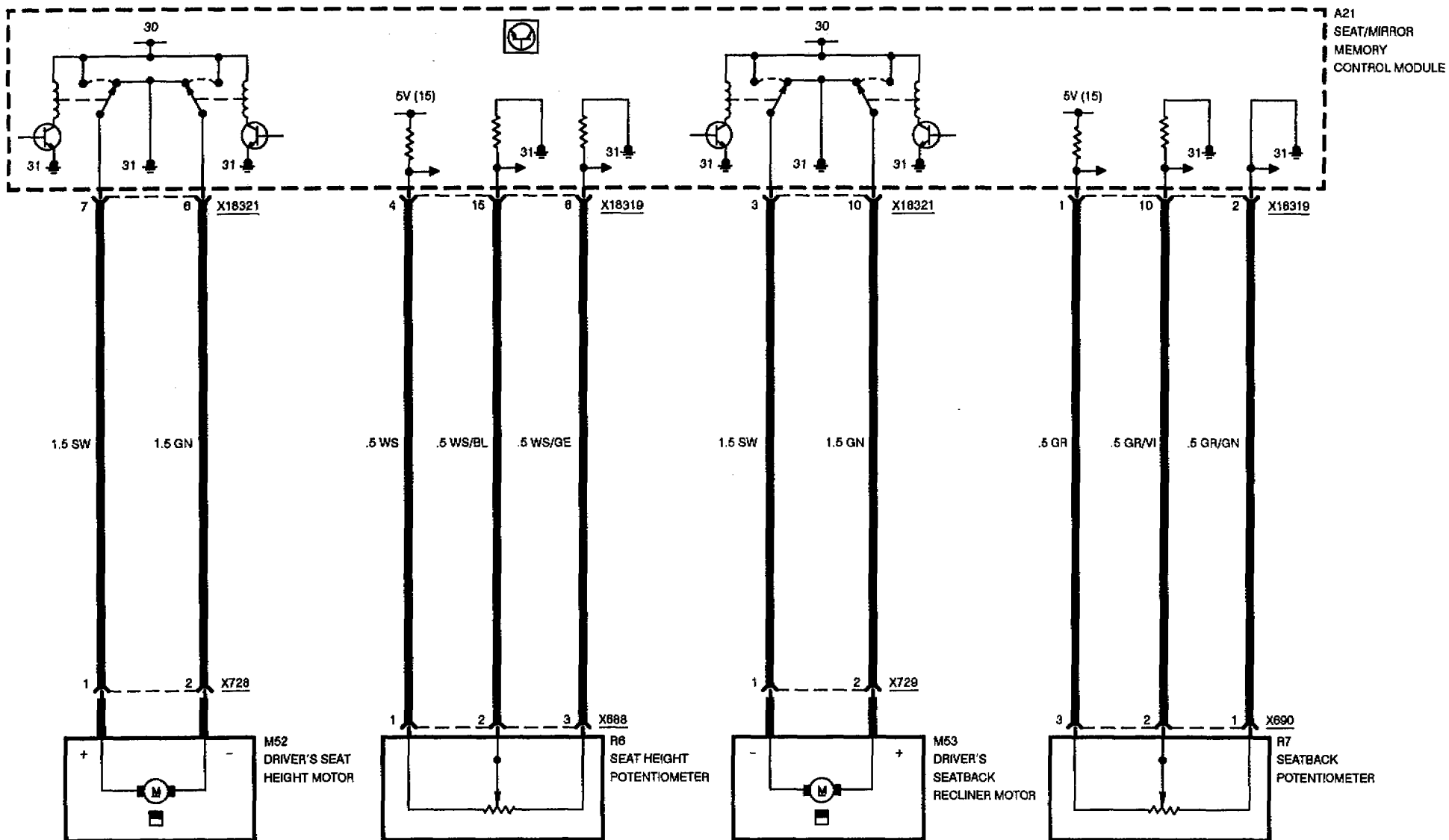




SEAT/MIRROR MEMORY SYSTEM (SM/SPM)

LATE PRODUCTION

SEAT

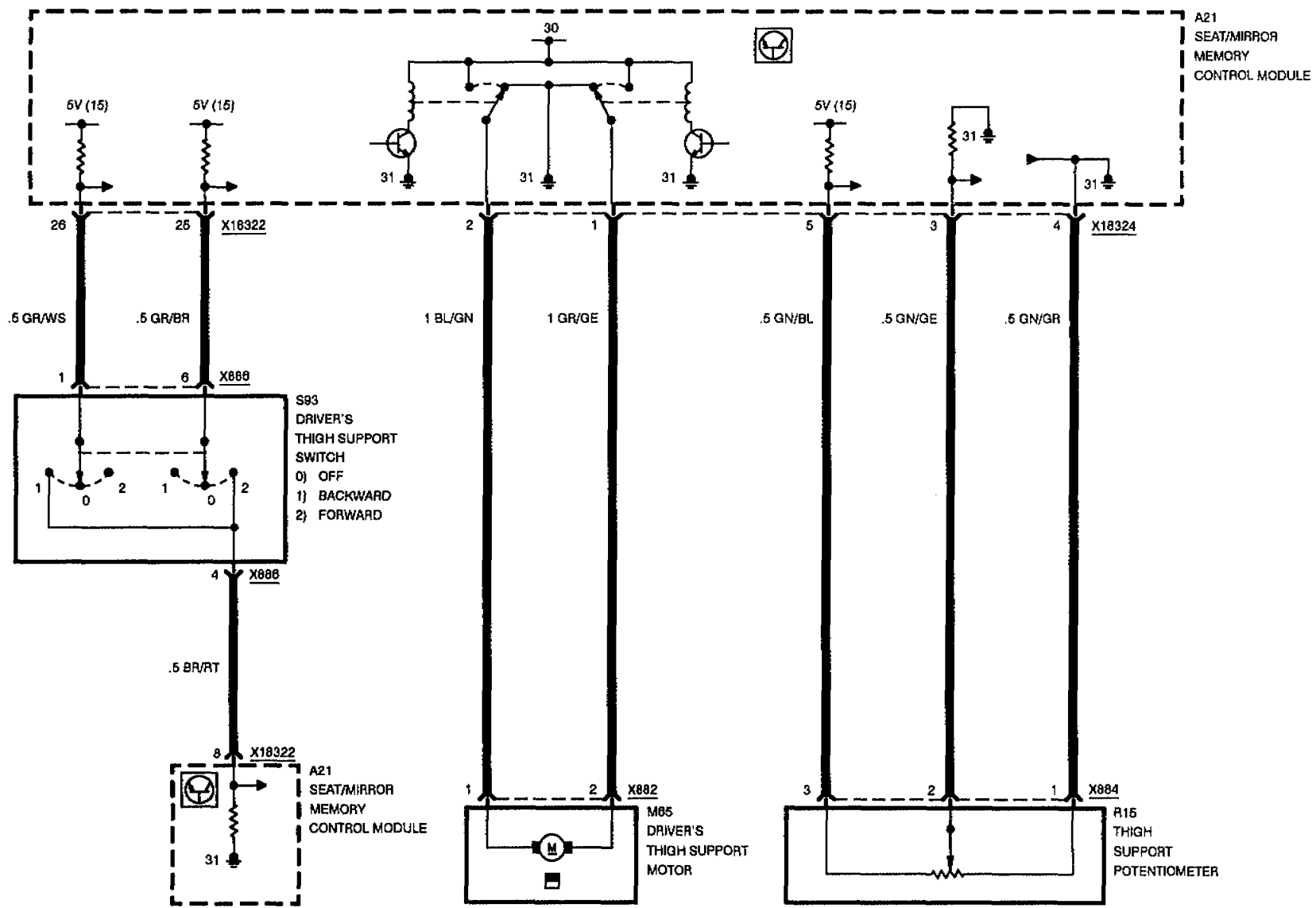


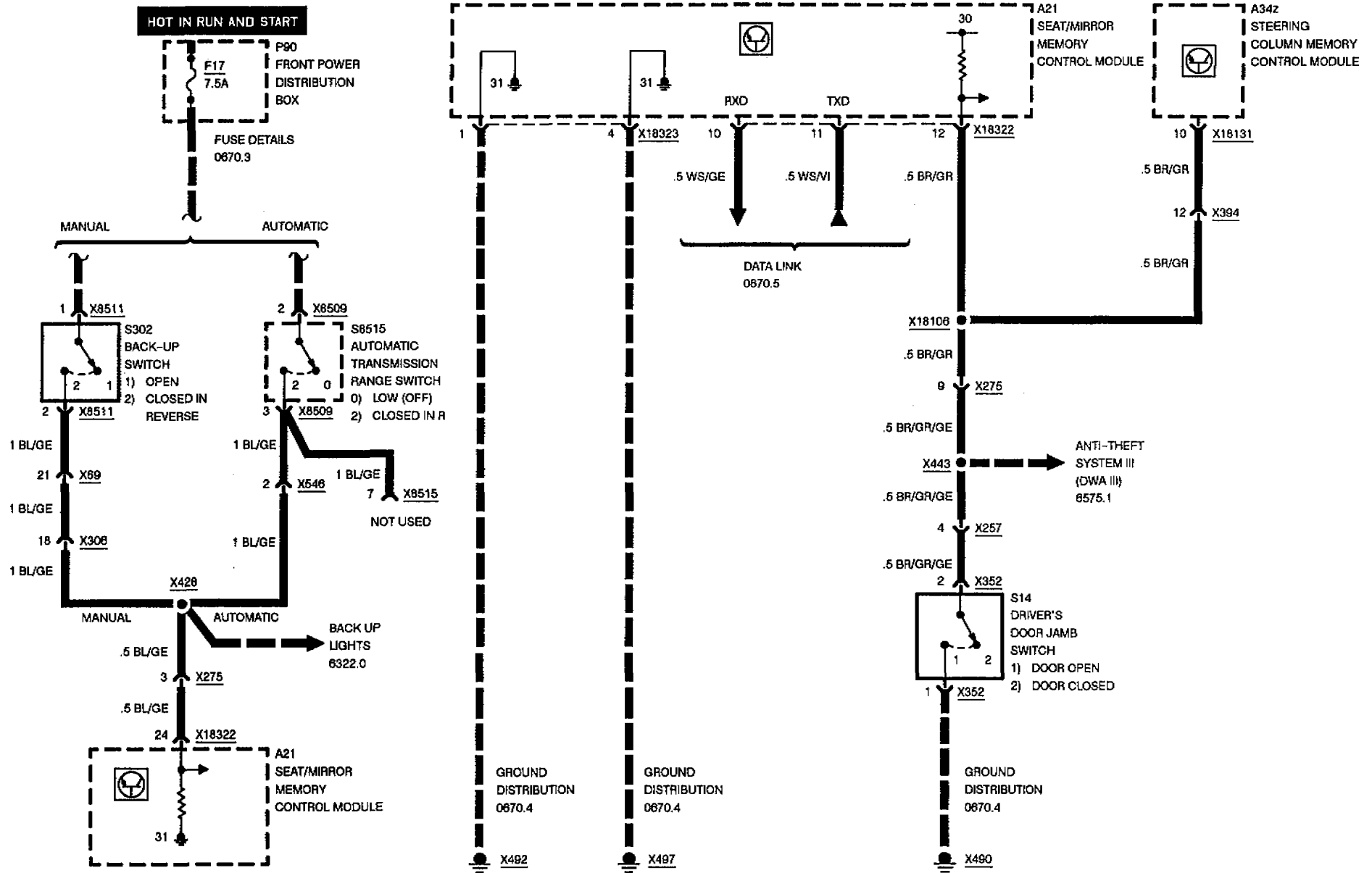


SEAT/MIRROR MEMORY SYSTEM (SM/SPM)

WITH SPORT SEAT

CDN LATE PRODUCTION



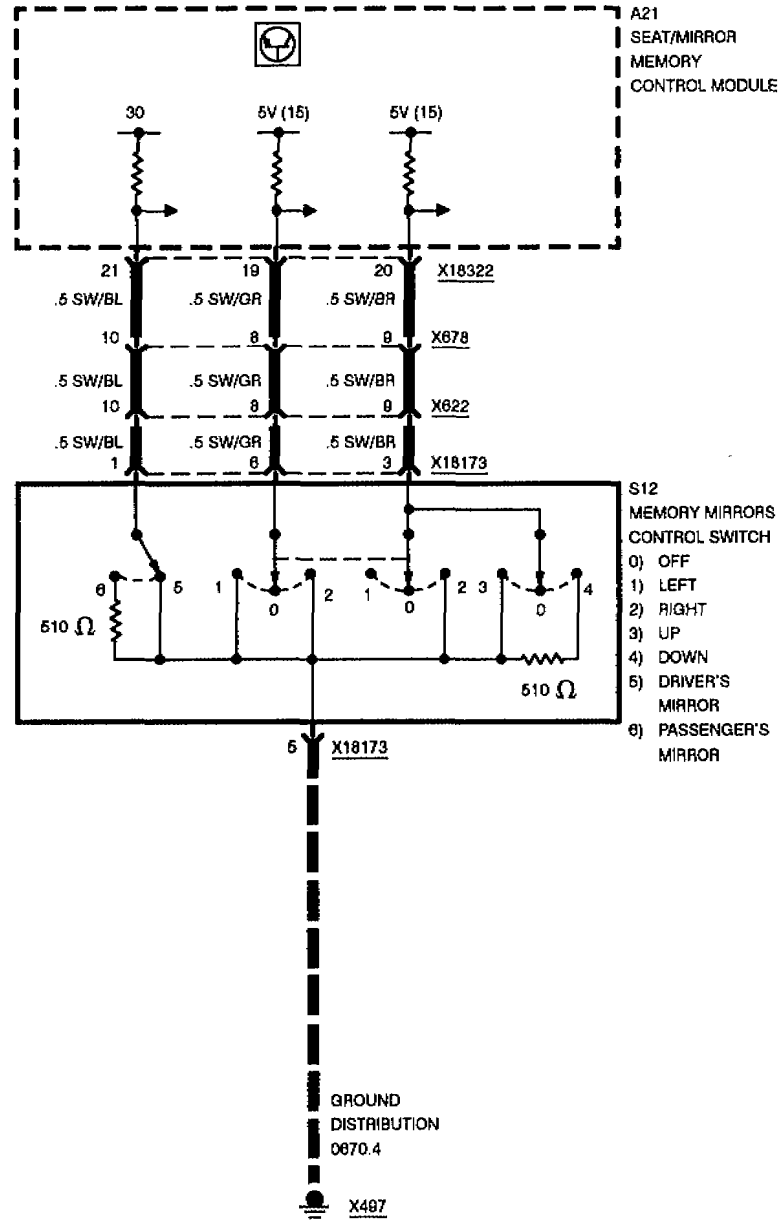




SEAT/MIRROR MEMORY SYSTEM (SM/SPM)

MIRROR

LATE PRODUCTION



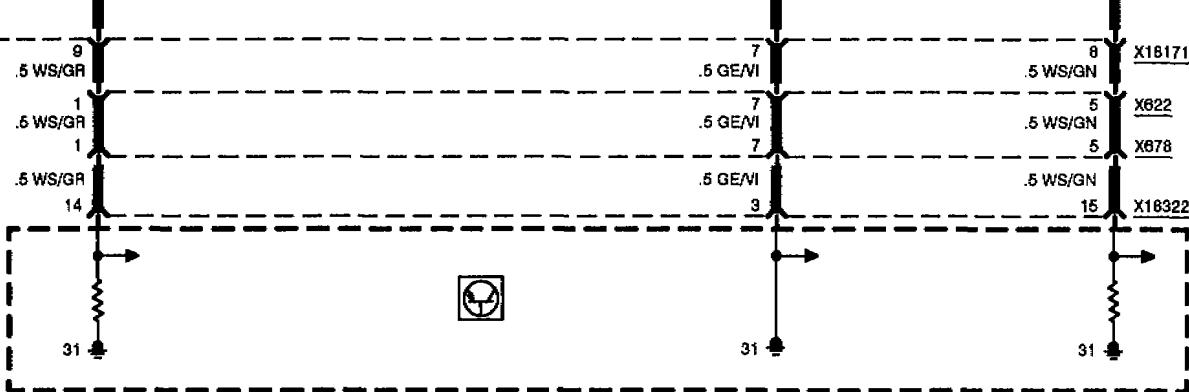
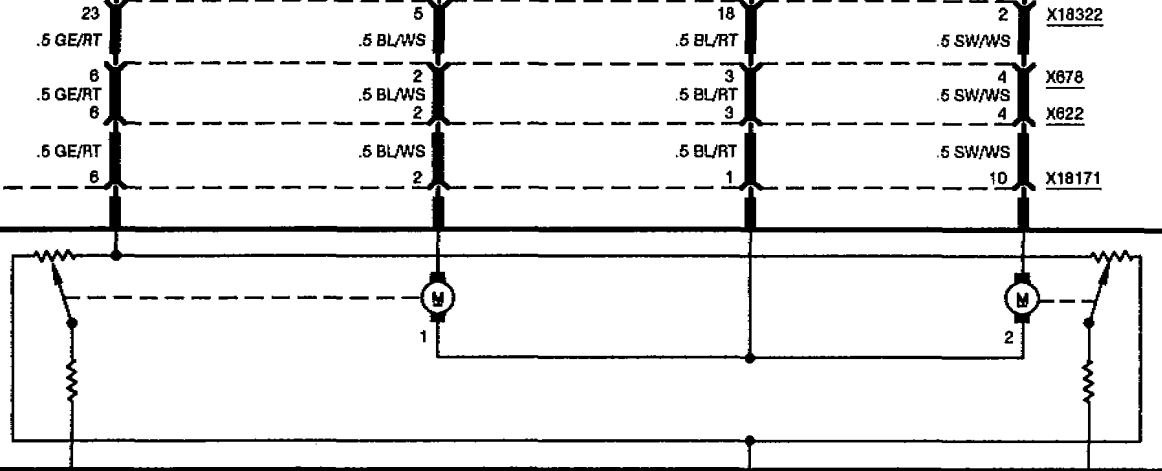
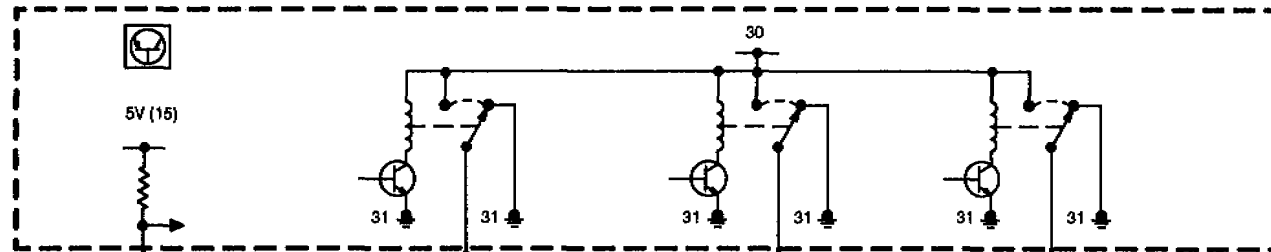
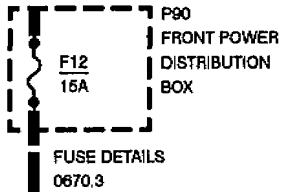


SEAT/MIRROR MEMORY SYSTEM (SM/SPM)

LATE PRODUCTION

MIRROR

HOT IN RUN AND START



GROUND DISTRIBUTION 0670.4

X400

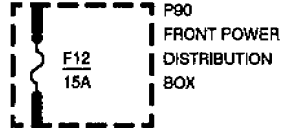


SEAT/MIRROR MEMORY SYSTEM (SM/SPM)

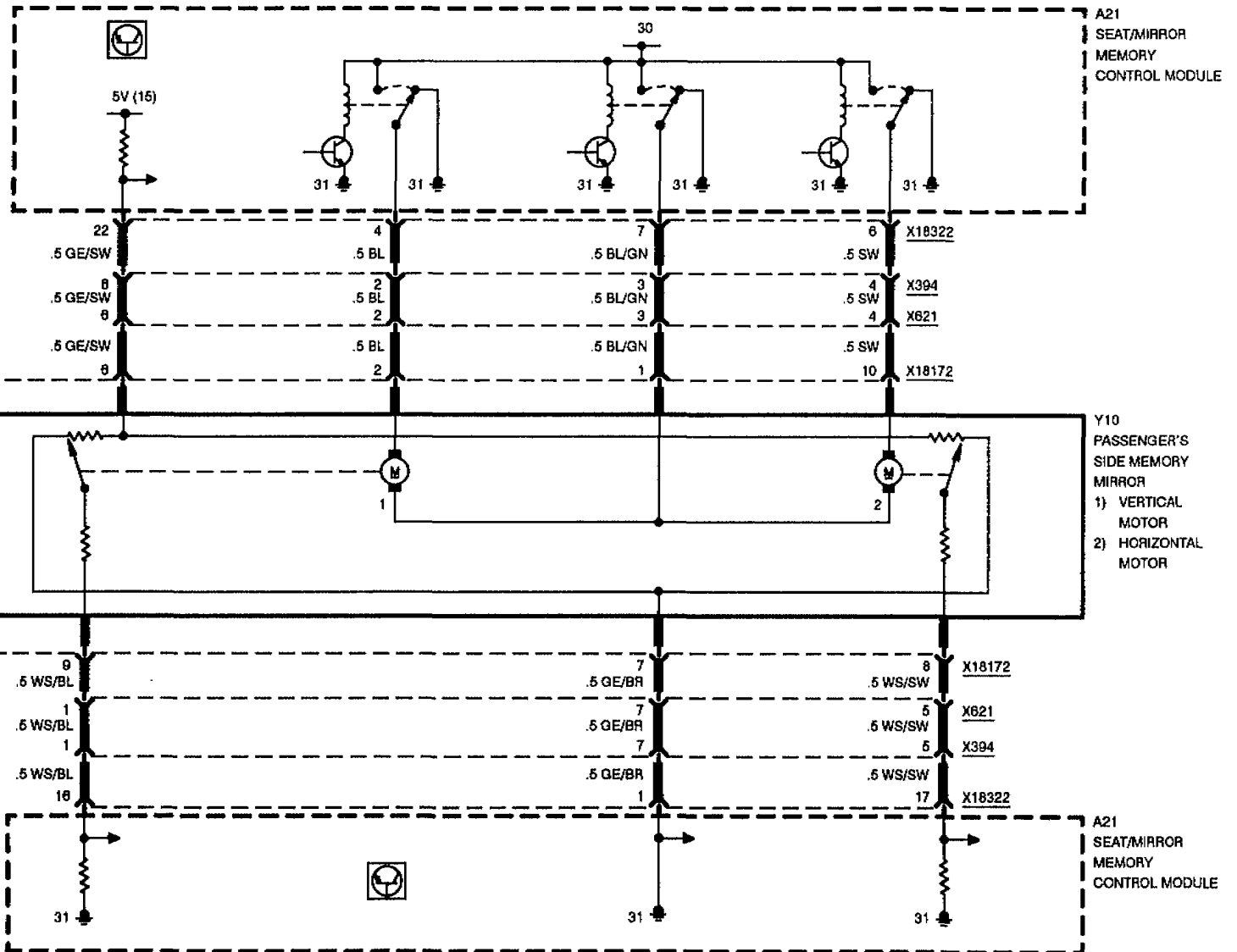
LATE PRODUCTION

MIRROR

HOT IN RUN AND START



FUSE DETAILS
0670.3



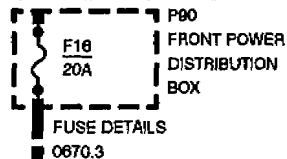
GROUND
DISTRIBUTION
0670.4

X495



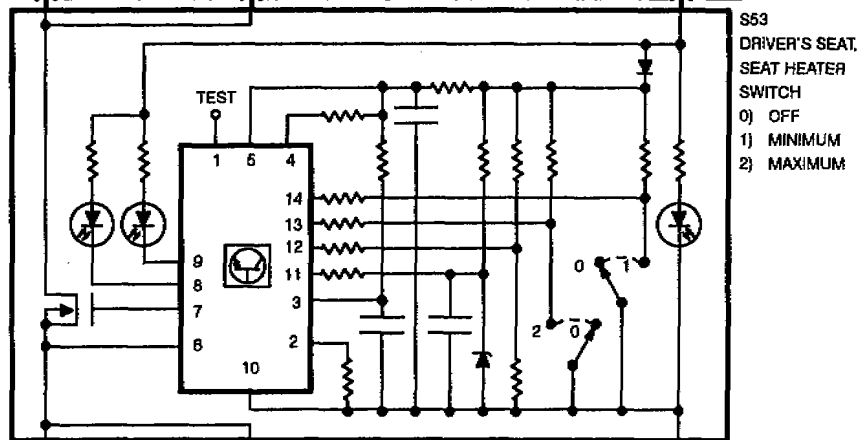
HEATED SEATS

HOT IN RUN AND START



58g
LIGHT SWITCH
DETAILS
6300.0

.5 GR/RT



X651

.5 WS/GE 1
.5 WS/BL 2
X13109

.5 WS/GE 1
.5 WS/BL 3
X18178

E57
DRIVER'S
SEAT HEATER

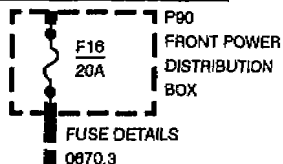
E58
DRIVER'S
SEATBACK
HEATER

.5 BR 2
.5 BR 4
X18178

GROUND
DISTRIBUTION
0670.4

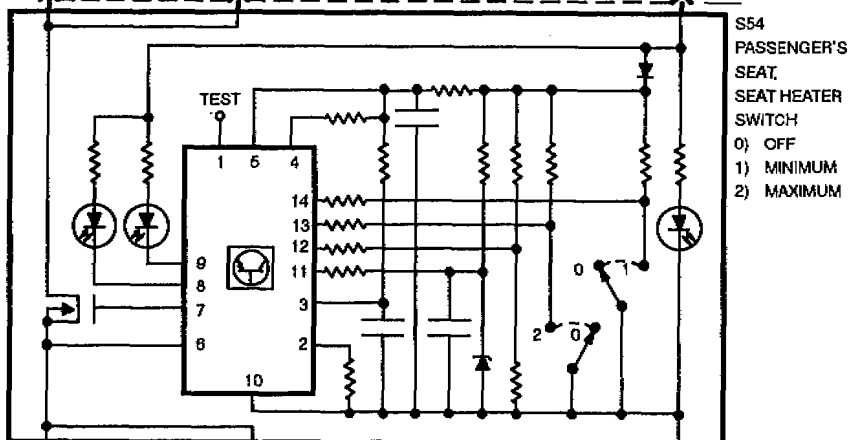
X492

HOT IN RUN AND START



58g
LIGHT SWITCH
DETAILS
6300.0

.5 GR/RT



X858

.5 WS/GE 1
.5 WS/BL 2
X13110

.5 WS/GE 1
.5 WS/BL 3
X18178

E58
PASSENGER'S
SEAT HEATER

E59
PASSENGER'S
SEATBACK
HEATER

.5 BR 2
.5 BR 4
X18178

GROUND
DISTRIBUTION
0670.4

X495

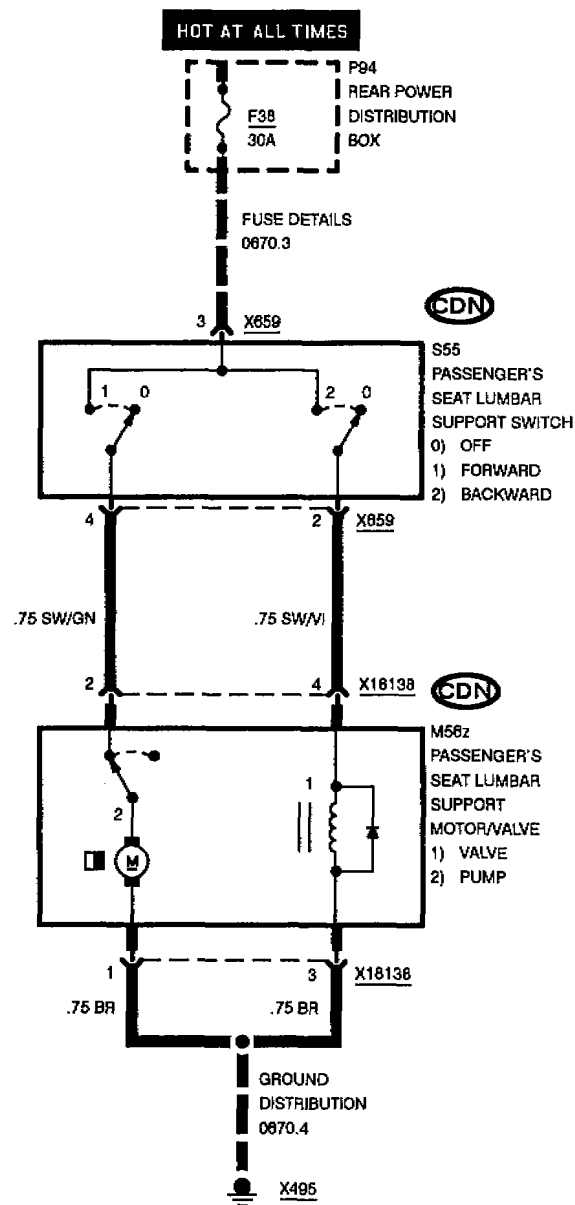
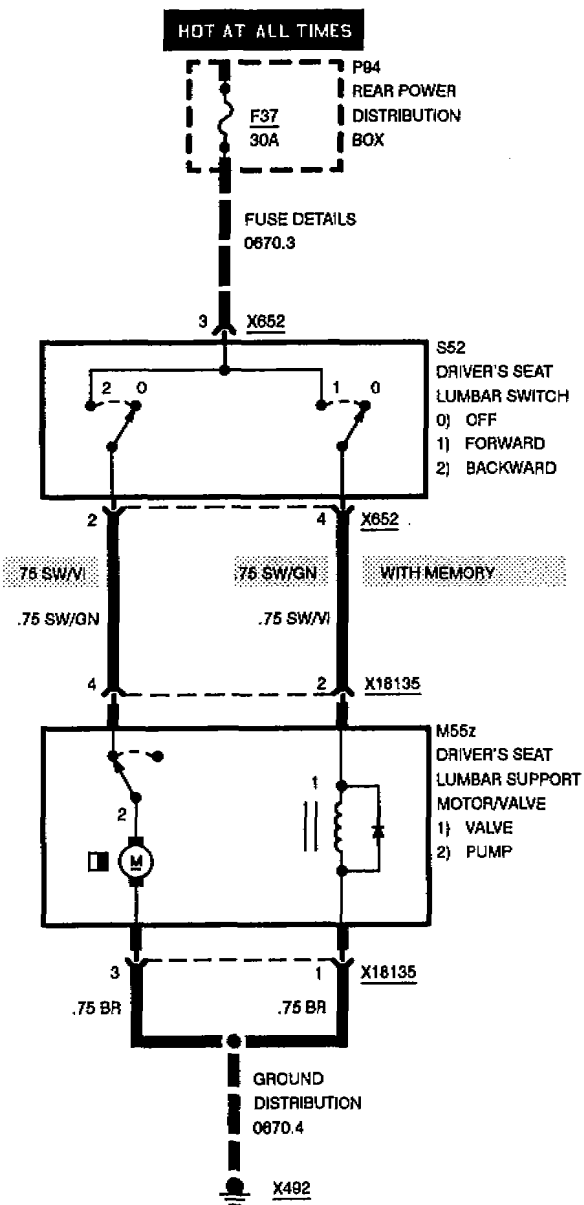
GROUND
DISTRIBUTION
0670.4

X492





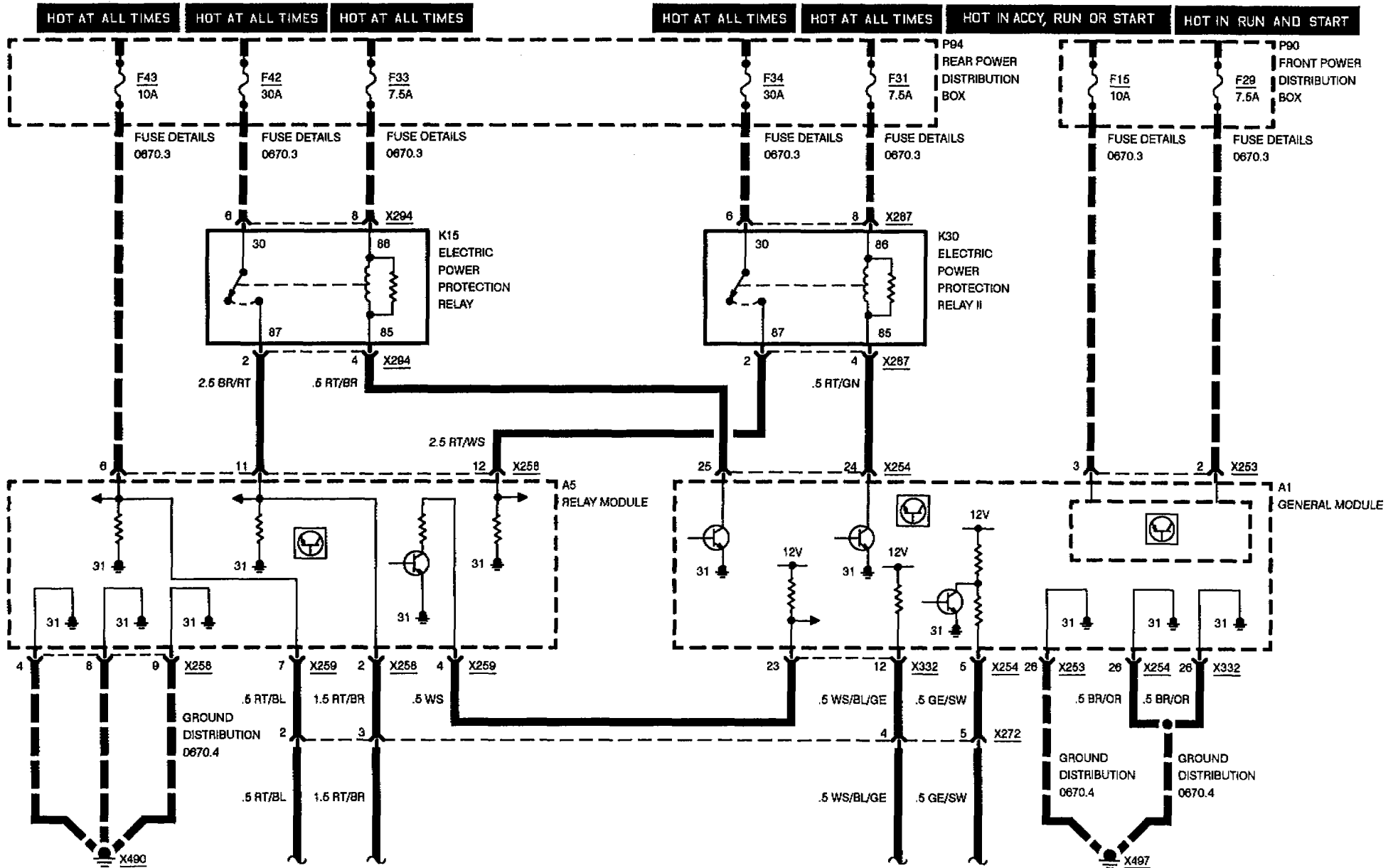
LUMBAR SUPPORT

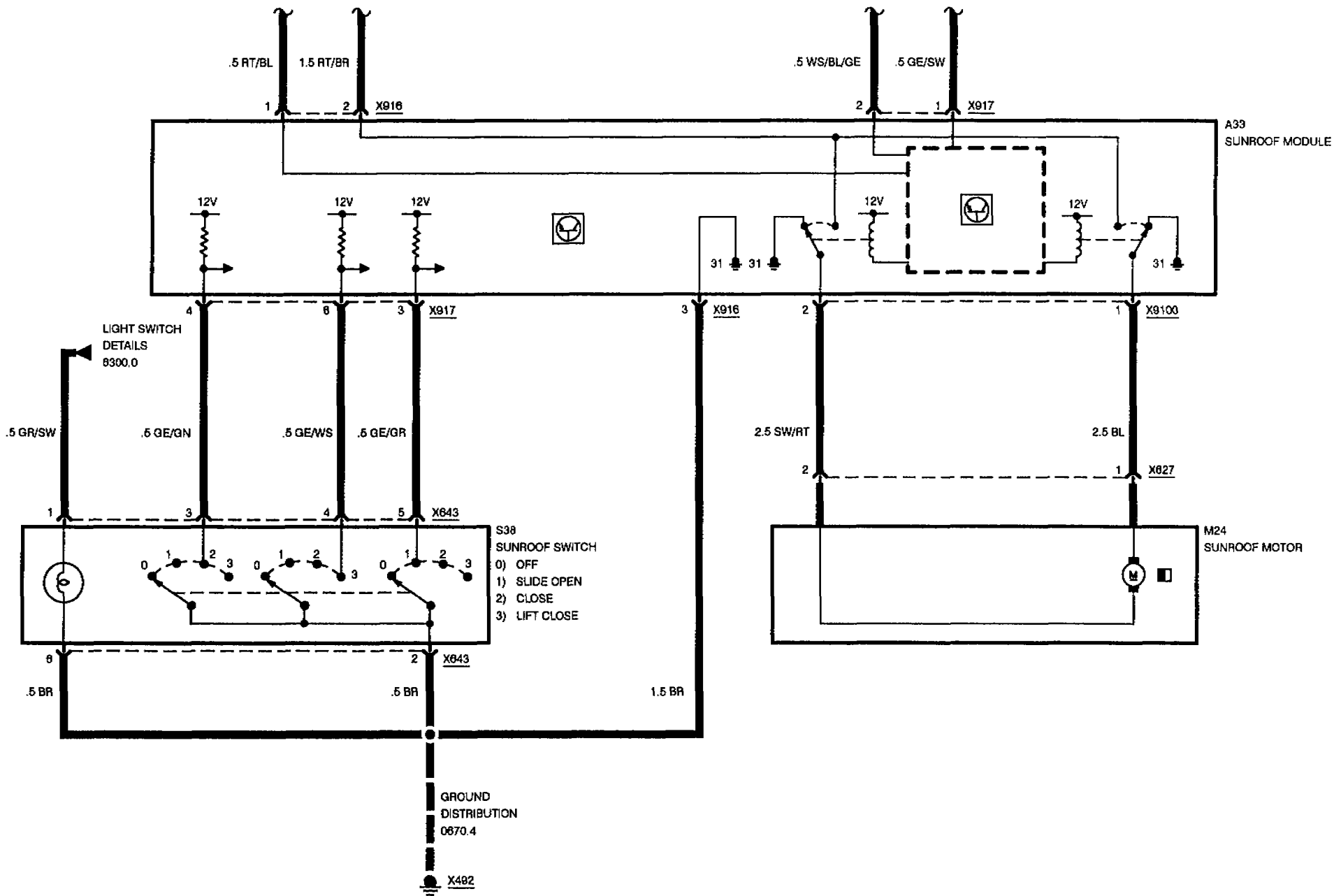




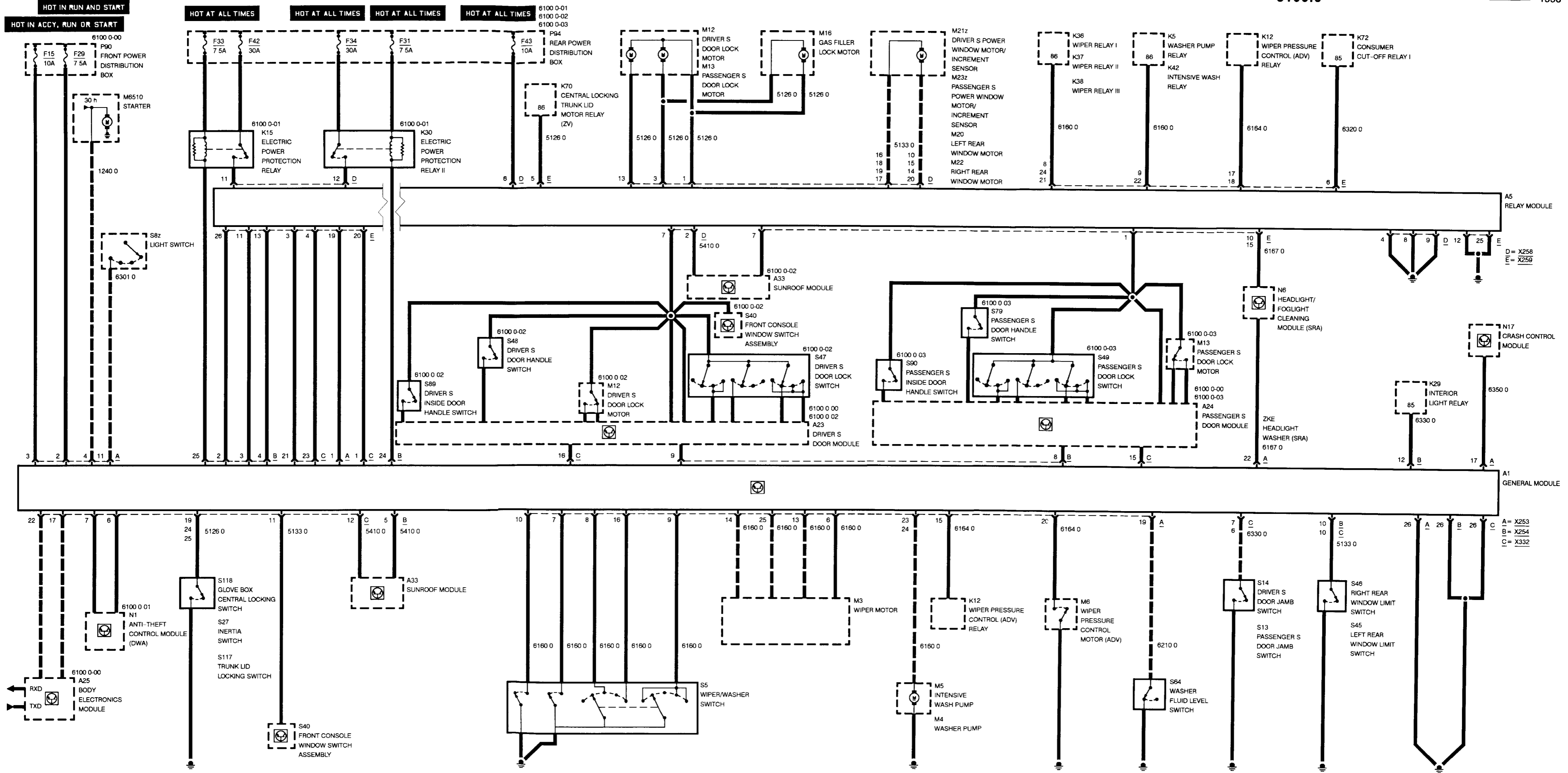


ZKE SUNROOF (SHD)



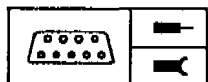






D = X258
E = X259

A = X253
B = X254
C = X332



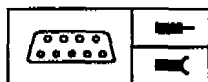
Pin Assignments

A = X253	26 pins, black
B = X254	26 pins, yellow
C = X332	26 pins, white
D = X258	20 pins, black
E = X259	26 pins, black

X253

Pin	Type	Description/Function	Connection
1	E	Voltage for electronics (30)	Relay module
2	E	Ignition voltage (15)	Fuse
3	E	Voltage (R)	Fuse
4	E	Starter signal (30h)	Starter
5		Not used	
6	E	Wiper reset contact	Wiper motor
7	E	Wash	Wiper/washer switch
8	E	Intermittent wipe	Wiper/washer switch
9	E	Wiper speed: 1	Wiper/washer switch
10	E	Intensive wash/telephone	Wiper/washer switch
11	E	Headlamp on (58)	Light switch
12		Not used	
13	E	Diagnosis, wiper relay (speed 1/2)	Wiper relay III/wiper motor
14	E	Diagnosis, wiper relay (park)	Wiper relay I/wiper motor
15	E	Diagnosis, ADV	Wiper pressure control (ADV) relay
16	E	Wiper speed: 2	Wiper/washer switch
17	A	Interface to hazard warning lights	Crash control unit
18		Not used	
19	E	Low washer fluid warning	Washer fluid level switch
20	E	ADV cam switch	Wiper pressure control motor (ADV)
21		Not used	
22	E	Diagnosis, headlight washer module	Headlight washer (SRA)
23	E	Diagnosis, intensive wash	Intensive wash relay and pump
24	E	Diagnosis, washer pump and relay	Washer pump and relay

E = Input, A = Output, M = Ground



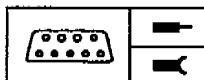
Pin Assignments

Pin	Type	Description/Function	Connection
25	E	Diagnosis, wiper relay (speed 1/2)	Wiper relay III/wiper motor
26	M	Ground for electronics (31)	Ground point

X254

Pin	Type	Description/Function	Connection
1		Not used	
2	A	Relay module interface	Relay module
3	A	Relay module interface	Relay module
4	A	Relay module interface	Relay module
5	A	Interface to sunroof	Sunroof module
6		Not used	
7		Not used	
8	A	Interface to passenger's door module	Passenger's door module
9	A	Interface to driver's door module	Driver's door module
10	E	Right rear window contact	Window limit switch
11		Not used	
12	A	Interior light relay activation	Interior light relay
13		Not used	
14		Not used	
15		Not used	
16		Not used	
17		Not used	
18		Not used	
19		Not used	
20		Not used	
21		Not used	
22		Not used	
23		Not used	
24	A	Electronic power protection: Activation for passenger's side relay	Electric power protection relay

E = Input, A = Output, M = Ground



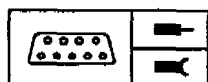
Pin Assignments

Pin	Type	Description/Function	Connection
25	A	Electronic power protection: Activation for driver's side relay	Electric power protection relay
26	M	Ground for electronics (31)	Ground point

X332

Pin	Type	Description/Function	Connection
1	E	Voltage for electronics (30)	Relay module
2		Not used	
3		Not used	
4		Not used	
5		Not used	
6	E	Interface from antitheft	Antitheft module
7	E	Interface from antitheft	Antitheft module
8		Not used	
9		Not used	
10	E	Left rear window contact	Window limit switch
11	E	Interface from power windows	Power window switch assembly
12	E	Interface from sunroof	Sunroof module
13		Not used	
14		Not used	
15	E	Interface from passenger's door module	Passenger's door module
16	E	Interface from driver's door module	Driver's door module
17	E/A	I-bus interface	Body electronics module (EKM)
18		Not used	
19	E	Lock glove box signal	Glove box locking switch
20		Not used	
21	E	Interface from relay module; diagnostic feedback RM functions	Relay module
22	E	Vehicle speed signal	Body electronics module (EKM)
23	E	Interface from relay module; power measurement RM functions	Relay module

E = Input, A = Output, M = Ground



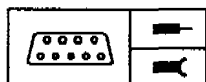
Pin Assignments

Pin	Type	Description/Function	Connection
24	E	Crash sensor	Inertia switch
25	E	Command, unlock rear lid	Trunk lid locking switch
26	M	Ground for electronics (31)	Ground point

X258

Pin	Type	Description/Function	Connection
1	A	Activation of ZV motors: Unlock	Door and gas filler lock motors
2	A	Voltage for power circuit on driver's side from electronic power protection	Sunroof module
3	A	Activation of ZV motors: Lock	Door and gas filler lock motors
4	M	Ground for electronics	Ground point
5		Not used	
6	E	Voltage (30) for electronics for all ZKE modules	Fuse
7	A	Voltage for driver's door module electronics	Driver's door module
8	M	Ground for ZV and FH motors	Ground point
9	M	Ground for ZV and FH motors	Ground point
10	A	Activation FH motor: driver's door, open	Driver's window motor (FH)
11	E	Voltage for power circuit on driver's side from electronic power protection	Electric power protection relay
12	E	Voltage for power circuit on passenger's side from electronic power protection	Electric power protection relay
13	A	Activation ZV motors: Central arrest	Door lock motors (ZV)
14	A	Activation FH motor: Left rear side, close	Left rear window motor (FH)
15	A	Activation FH motor: Passenger's door, open	Passenger's window motor (FH)
16	A	Activation FH motor: Driver's door, close	Driver's window motor (FH)
17	A	Activation FH motor: Right rear side, open	Right rear window motor (FH)
18	A	Activation FH motor: Passenger's door, close	Passenger's window motor (FH)
19	A	Activation FH motor: Left rear side, open	Left rear window motor (FH)
20	A	Activation FH motor: Right rear side, close	Right rear window motor (FH)

E = Input, A = Output, M = Ground



Pin Assignments

X259

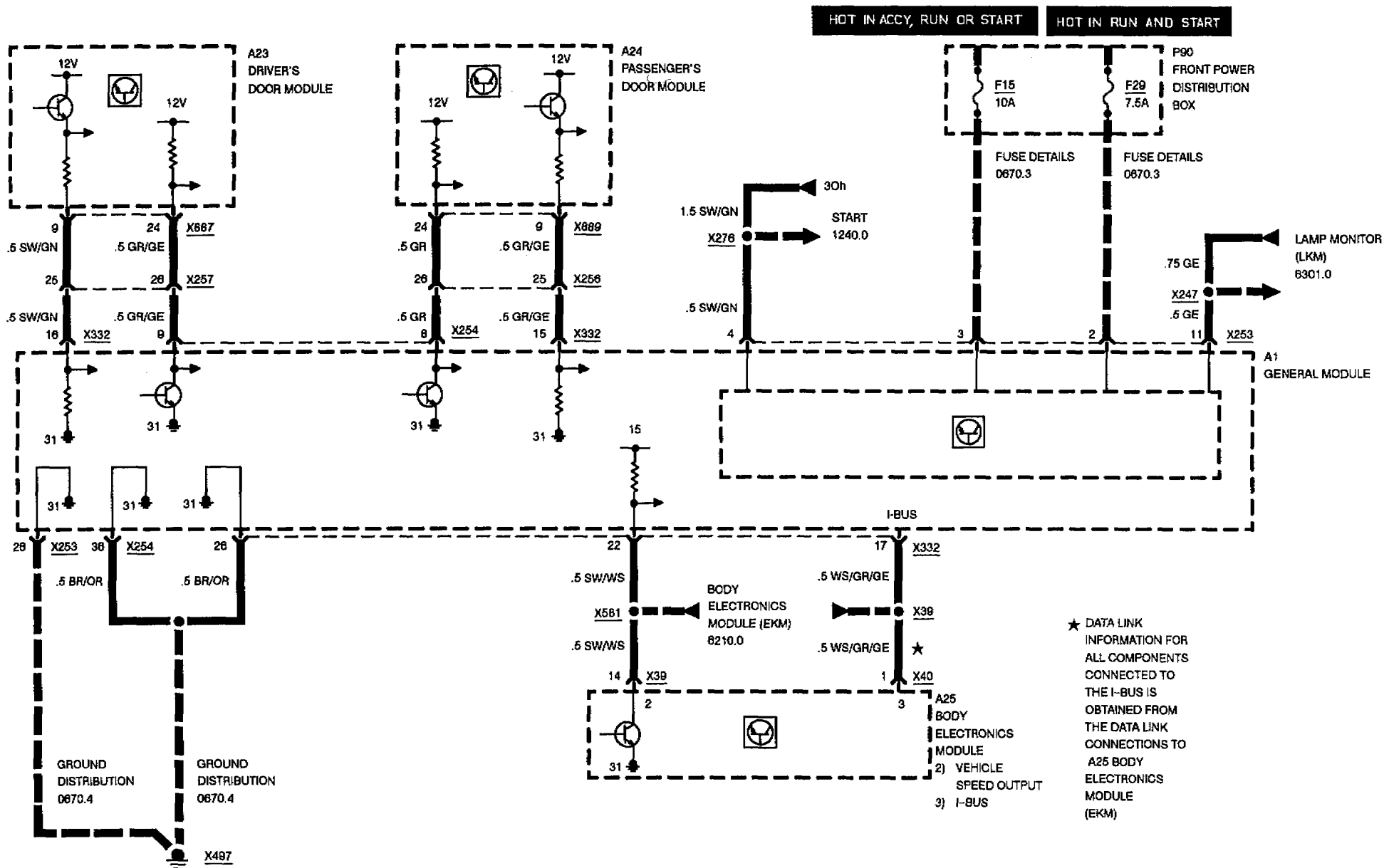
Pin	Type	Description/Function	Connection
1	A	Voltage for passenger's door module electronics	Passenger's door module
2		Not used	
3	A	Interface to general module, diagnostic feedback RM function	General module
4	A	Interface to general module, power measurement RM	General module
5	A	Relay activation, unlock rear lid	Trunk lid motor relay
6	A	Relay activation, load cut-out	Consumer cut-off relay I
7	A	Voltage for sunroof module electronics	Sunroof module
8	A	Relay activation, wiper park position	Wiper relay I
9	A	Relay activation, washer pump	Washer pump relay
10	A	SRA module activation: Headlight washer	Headlight washer module (SRA)
11	A	General module interface	General module
12	M	Ground for electronics	Ground point
13	A	General module interface	General module
14		Not used	
15	A	SRA module activation: Washer pump luggage compartment	Headlight washer module (SRA)
16		Not used	
17	A	ADV module activation: Reduce pressure	Wiper pressure control relay (ADV)
18	A	ADV module activation: Increase pressure	Wiper pressure control relay (ADV)
19	A	Voltage for general module electronics	General module
20	A	Voltage for general module electronics	General module
21	A	Relay activation, wiper speed 2	Wiper relay III
22	A	Relay activation, intensive wash (SIR)	Intensive wash relay
23		Not used	
24	A	Relay activation, wiper speed 1	Wiper relay II
25	M	Ground for electronics	Ground point
26	A	General module interface	General module

E = Input, A = Output, M = Ground



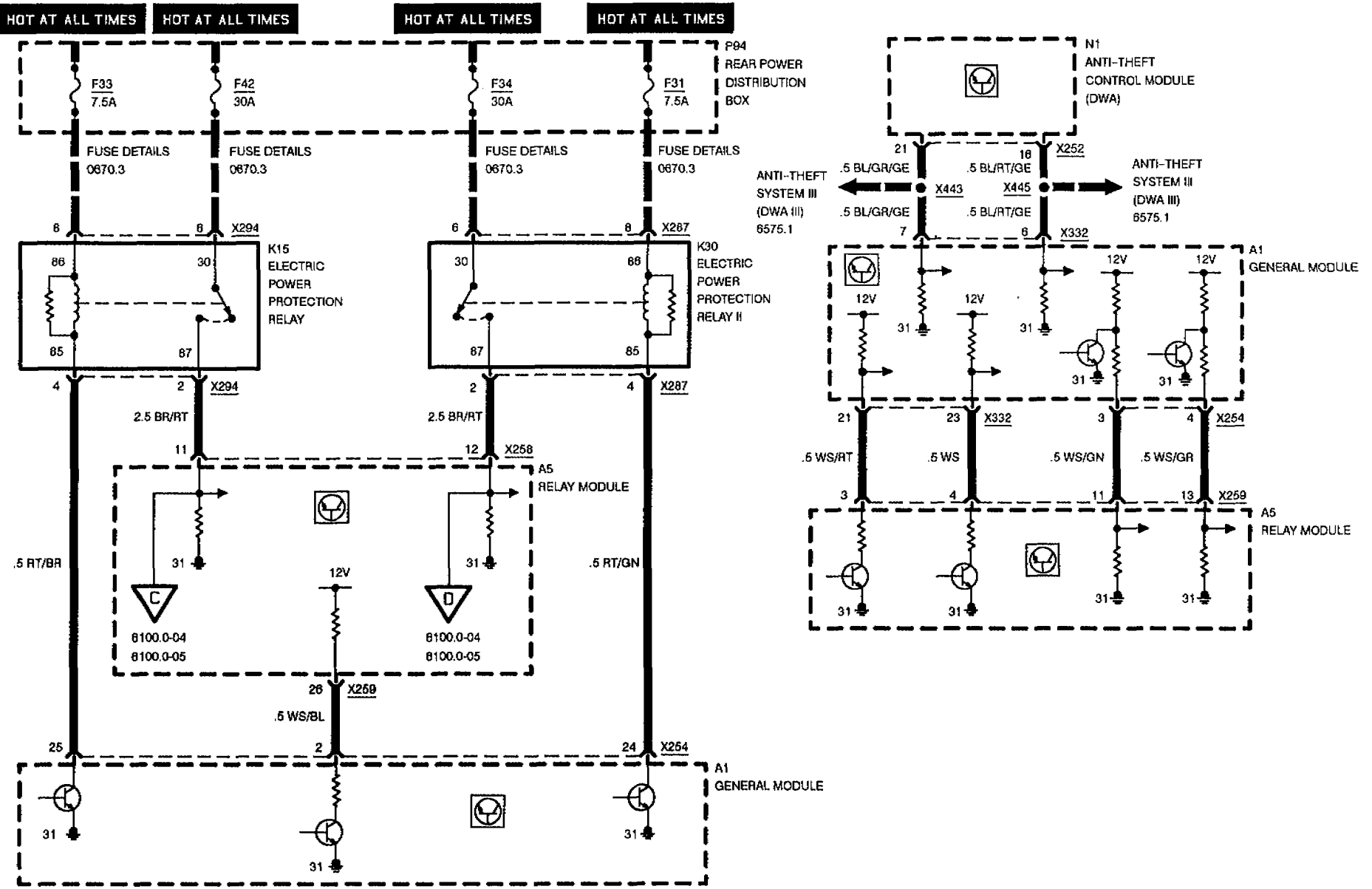
CENTRAL BODY ELECTRONICS (ZKE II)

GENERAL MODULE





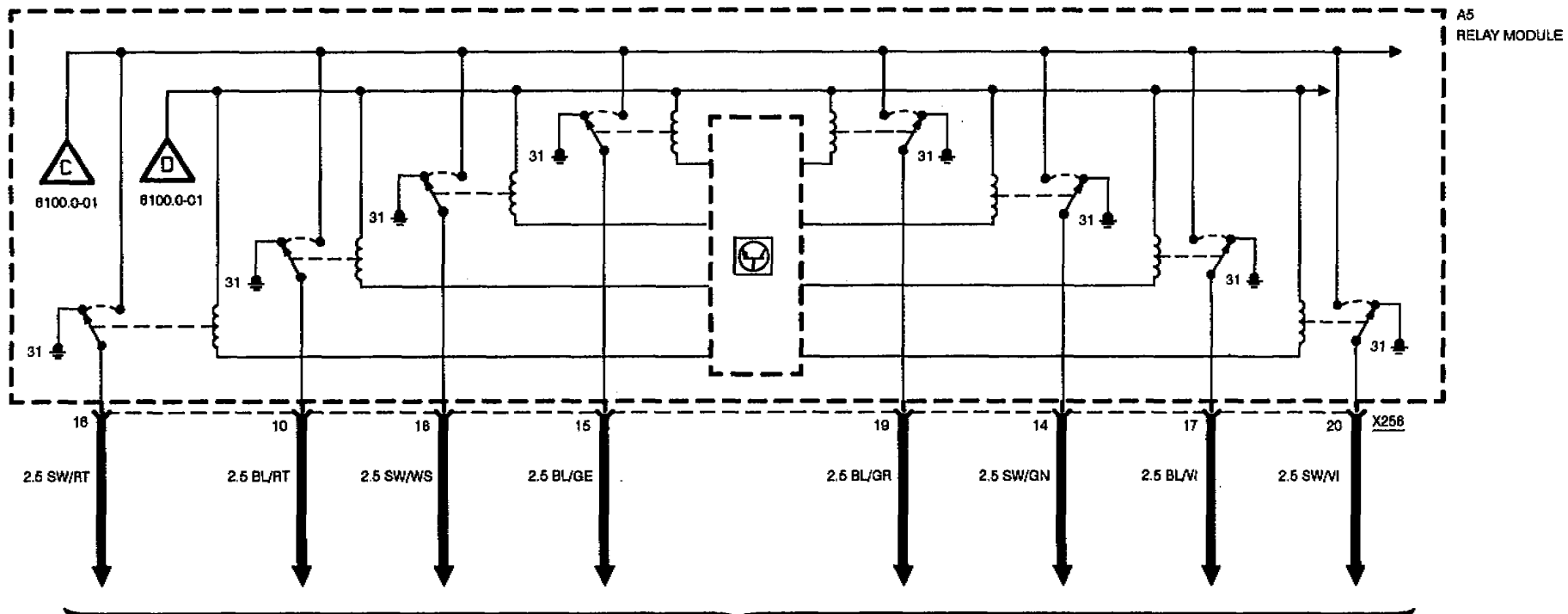
CENTRAL BODY ELECTRONICS (ZKE II)





CENTRAL BODY ELECTRONICS (ZKE II)

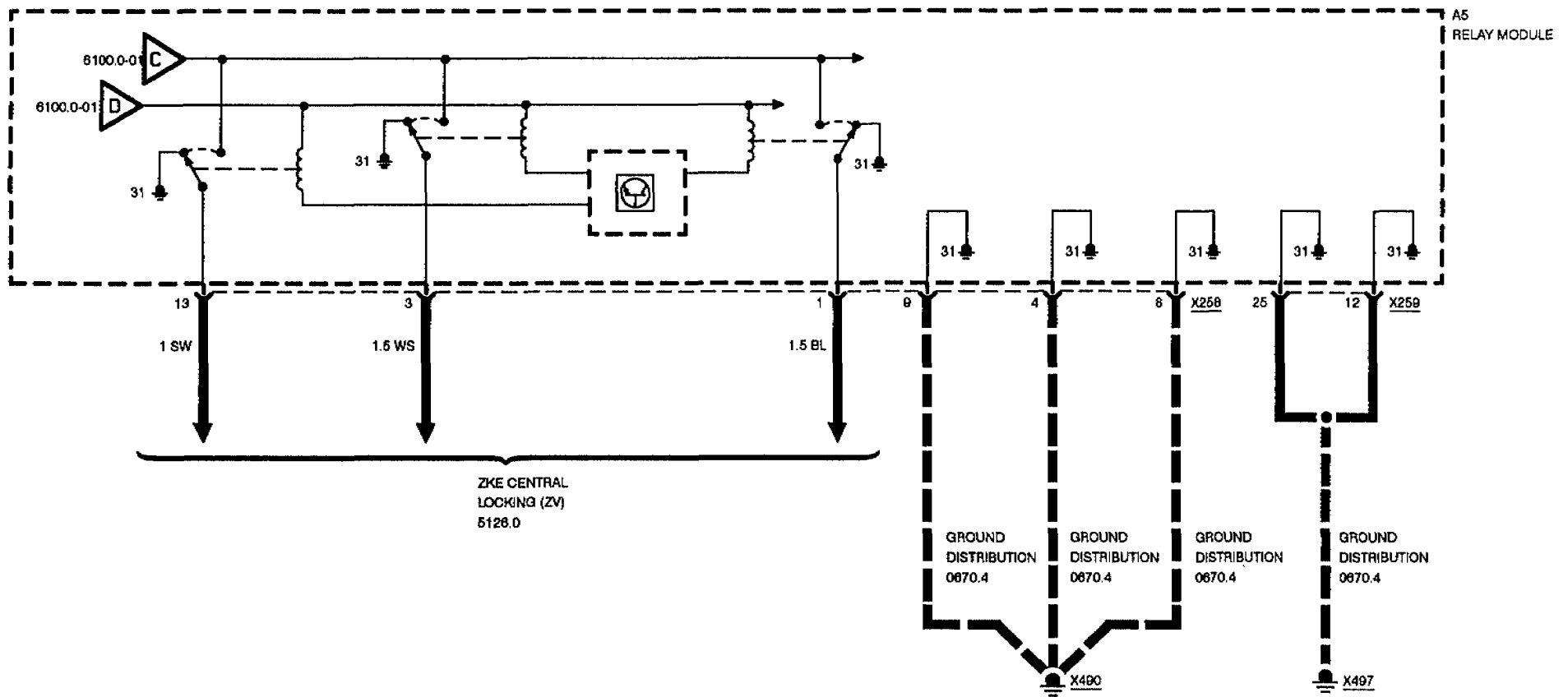
RELAY MODULE



ZKE
POWER WINDOWS
(FH)
6133.0



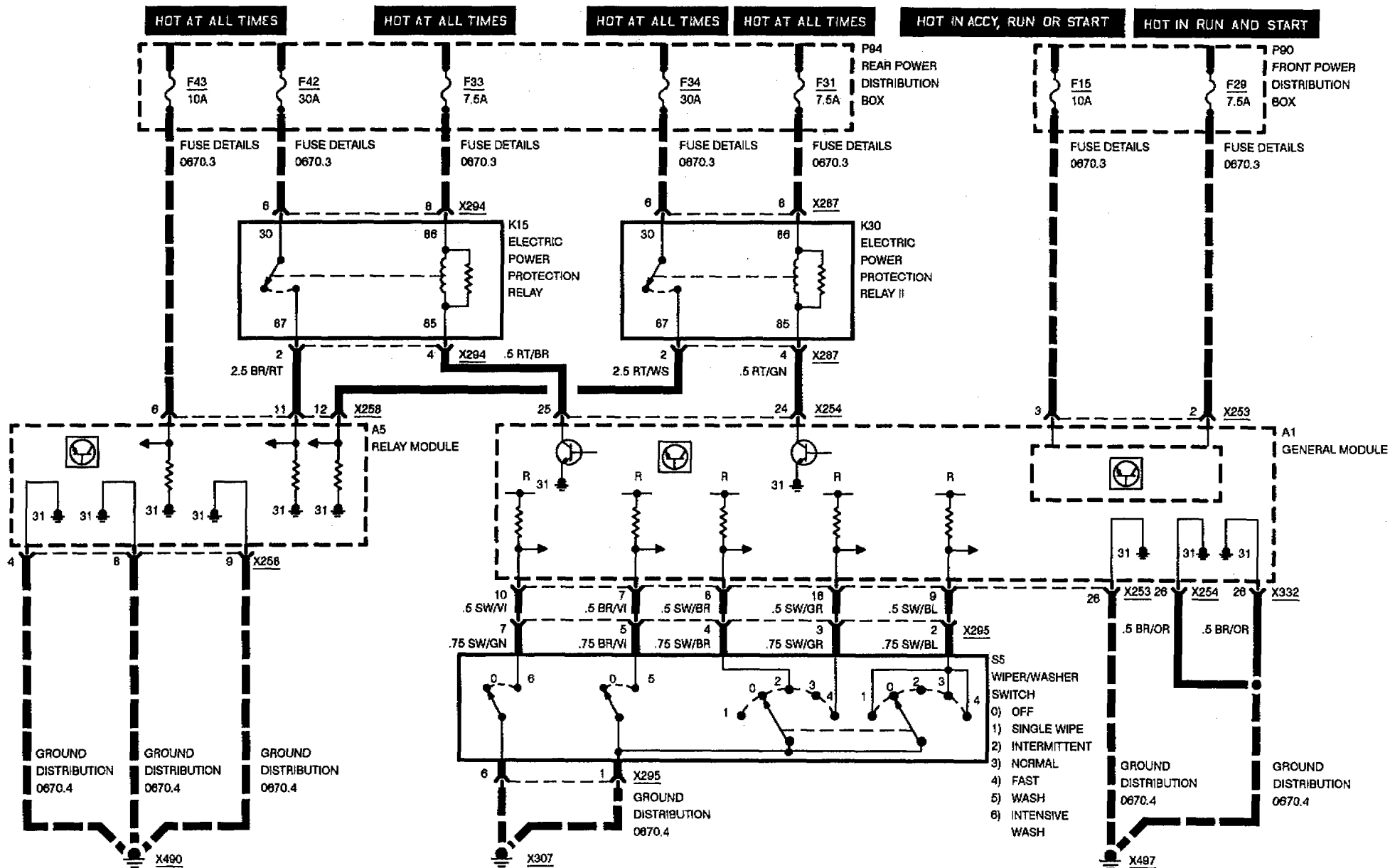
CENTRAL BODY ELECTRONICS (ZKE II) RELAY MODULE





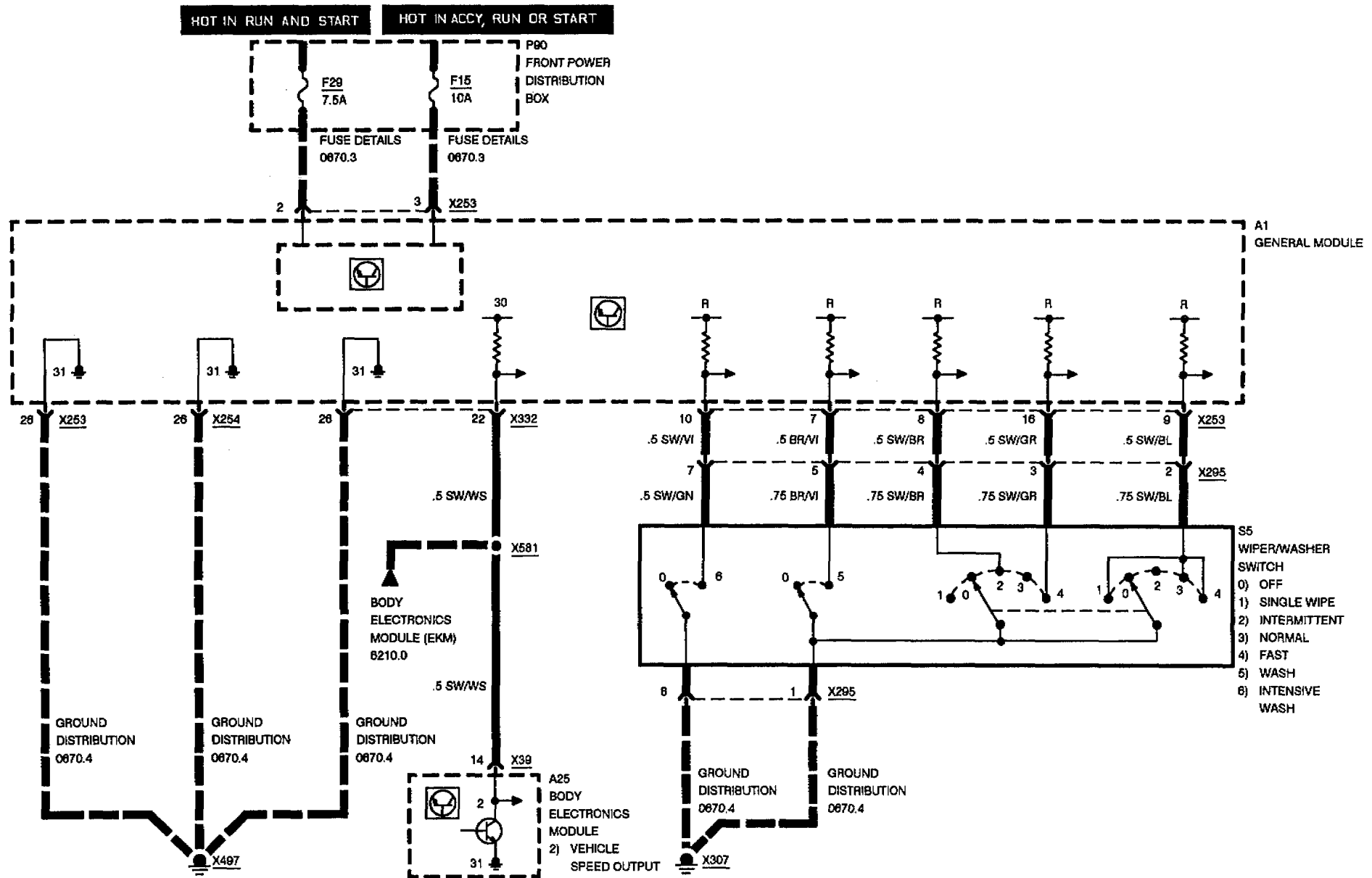


ZKE WIPER/WASHER CONTROL

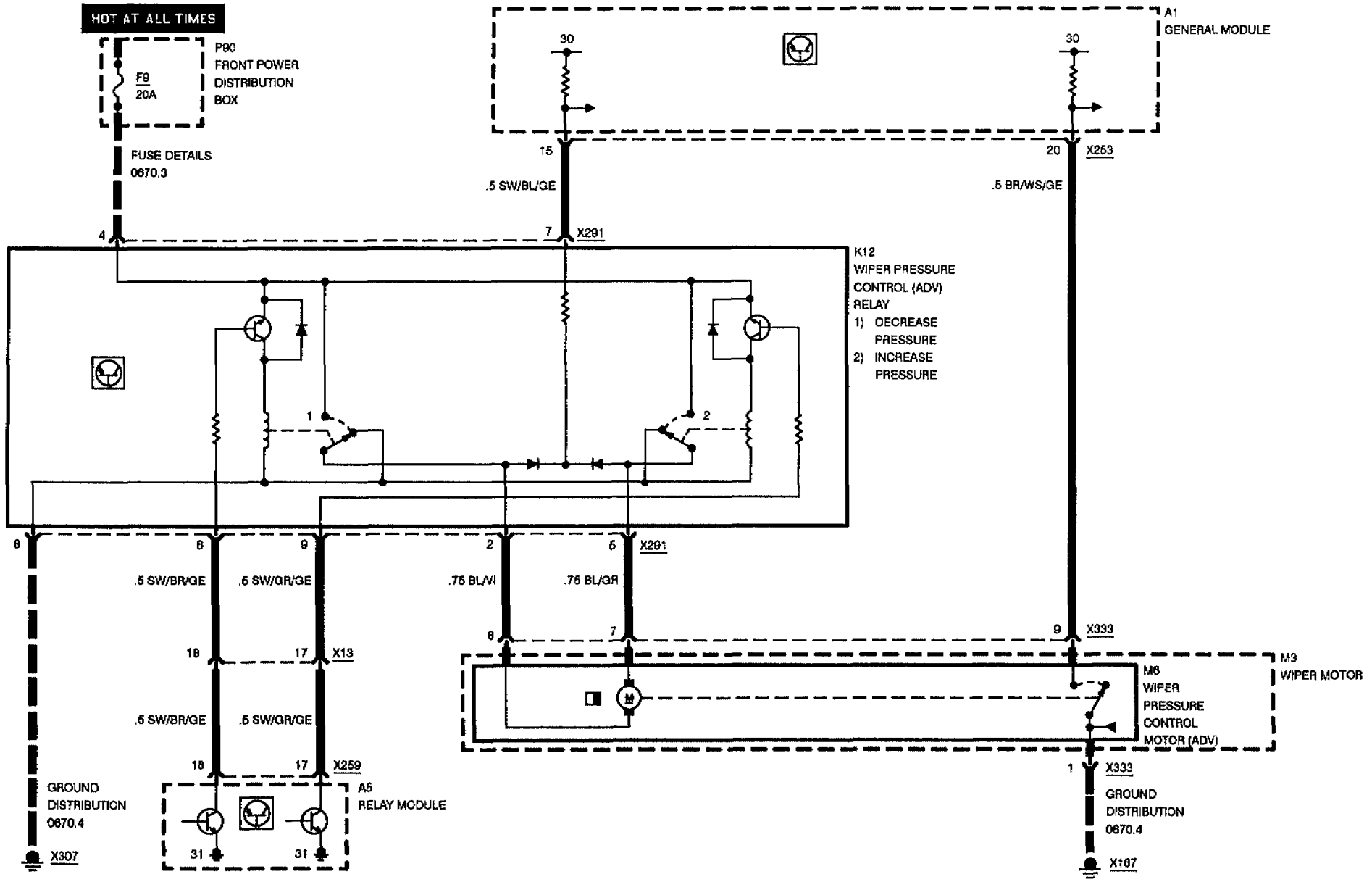


BMW
8

6164.0

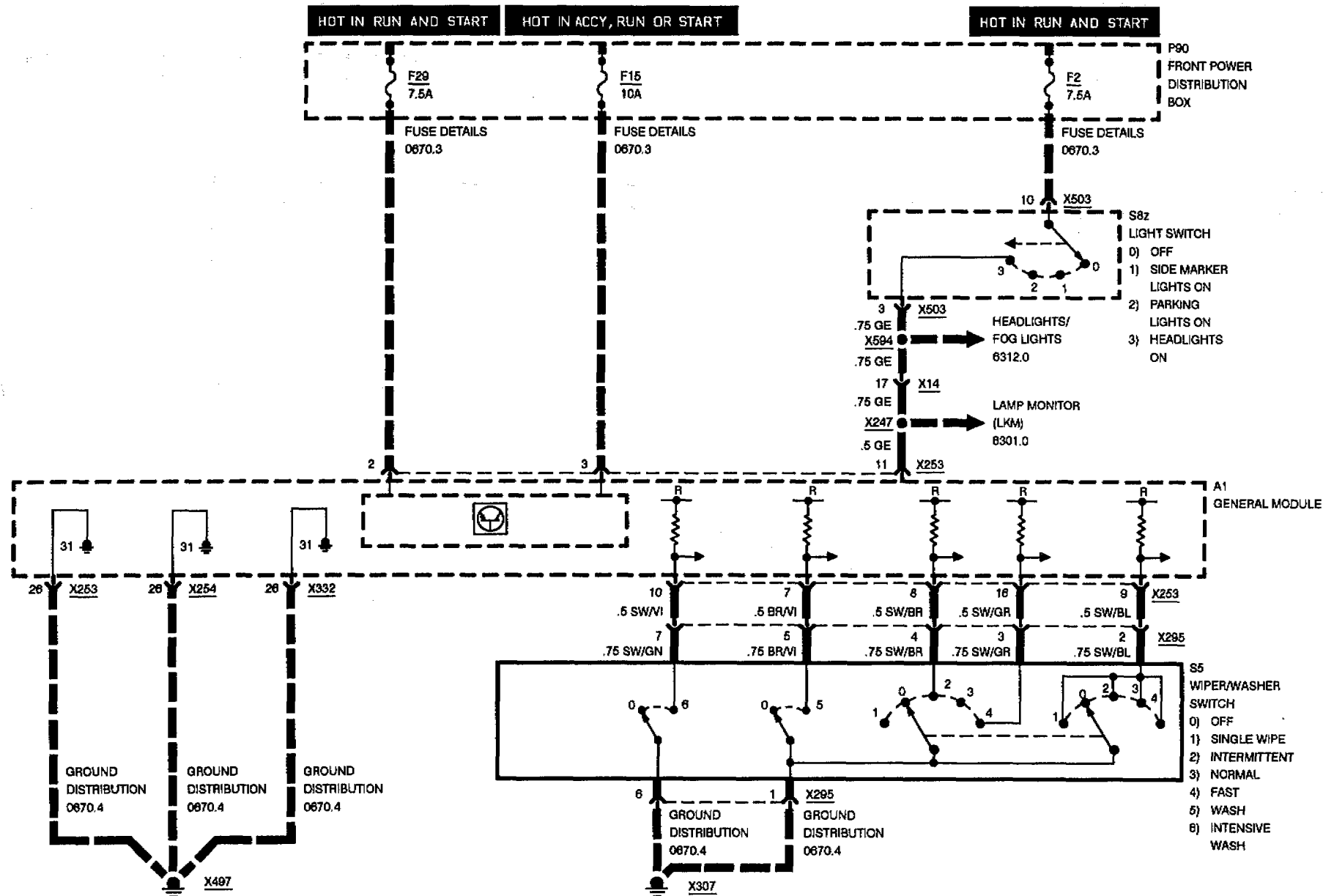


ZKE WINDSHIELD WIPER PRESSURE CONTROL (ADV)

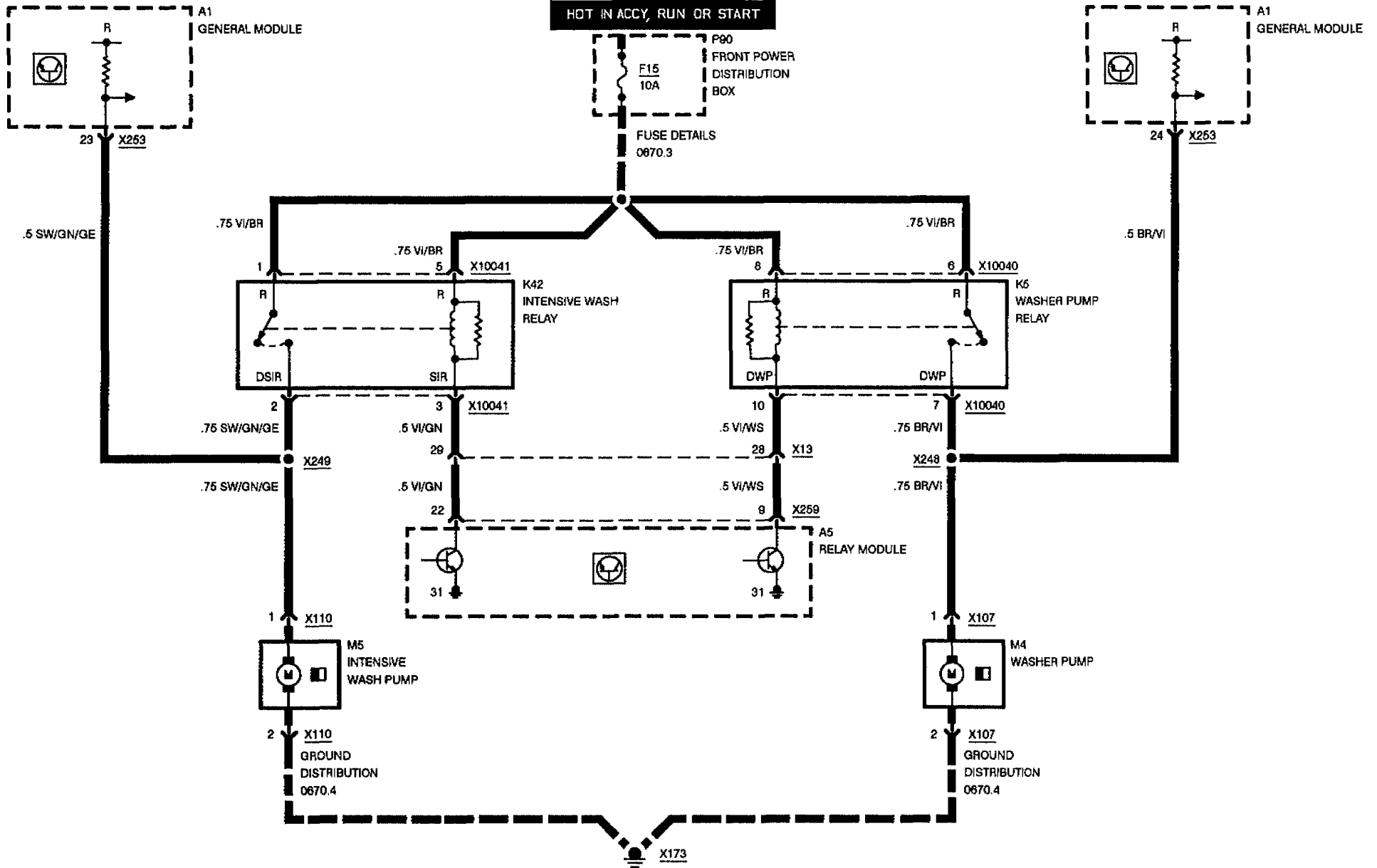




ZKE HEADLIGHT WASHER (SRA)

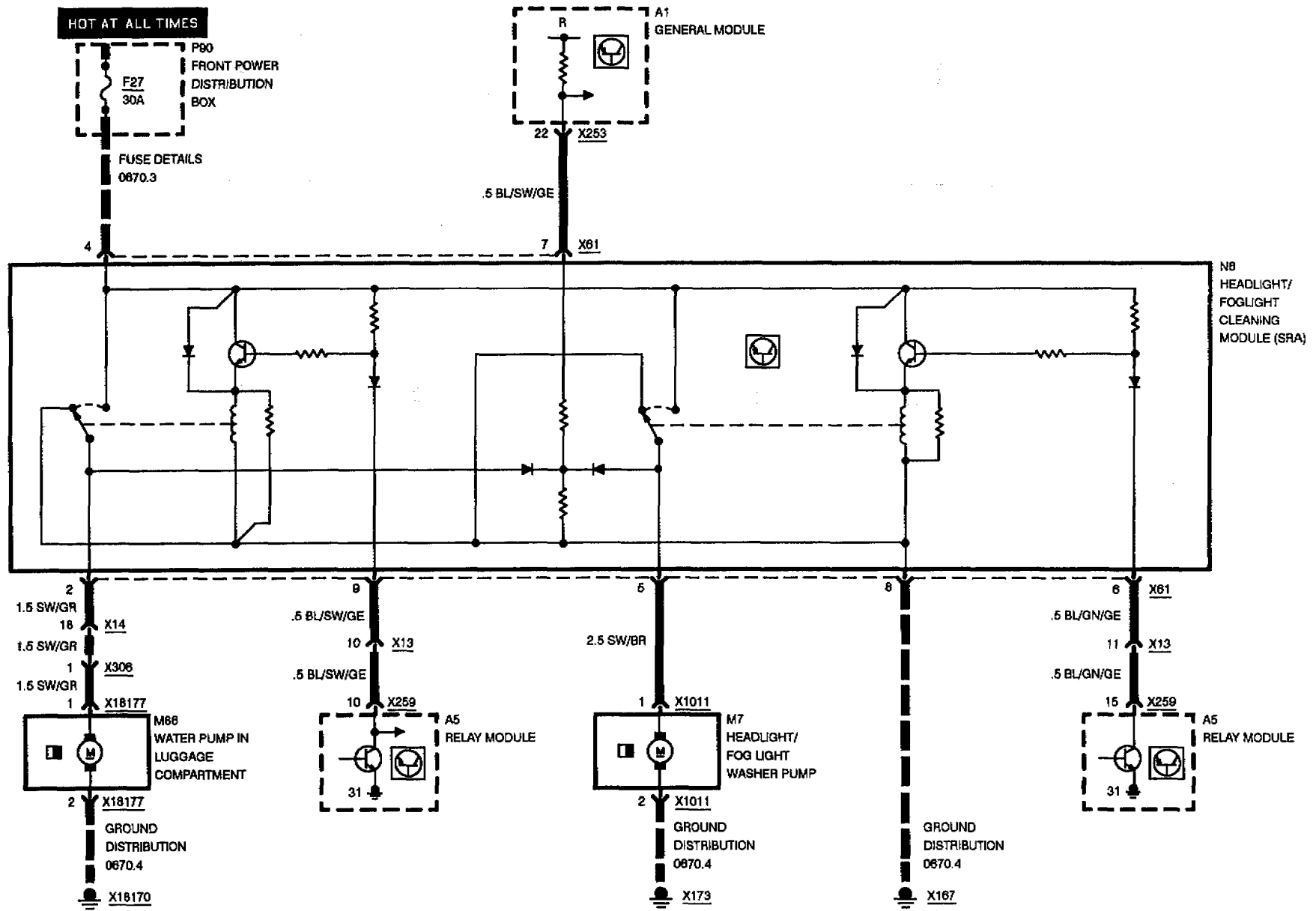


ZKE HEADLIGHT WASHER (SRA)



ZKE HEADLIGHT WASHER (SRA)

OUTPUT DETAILS

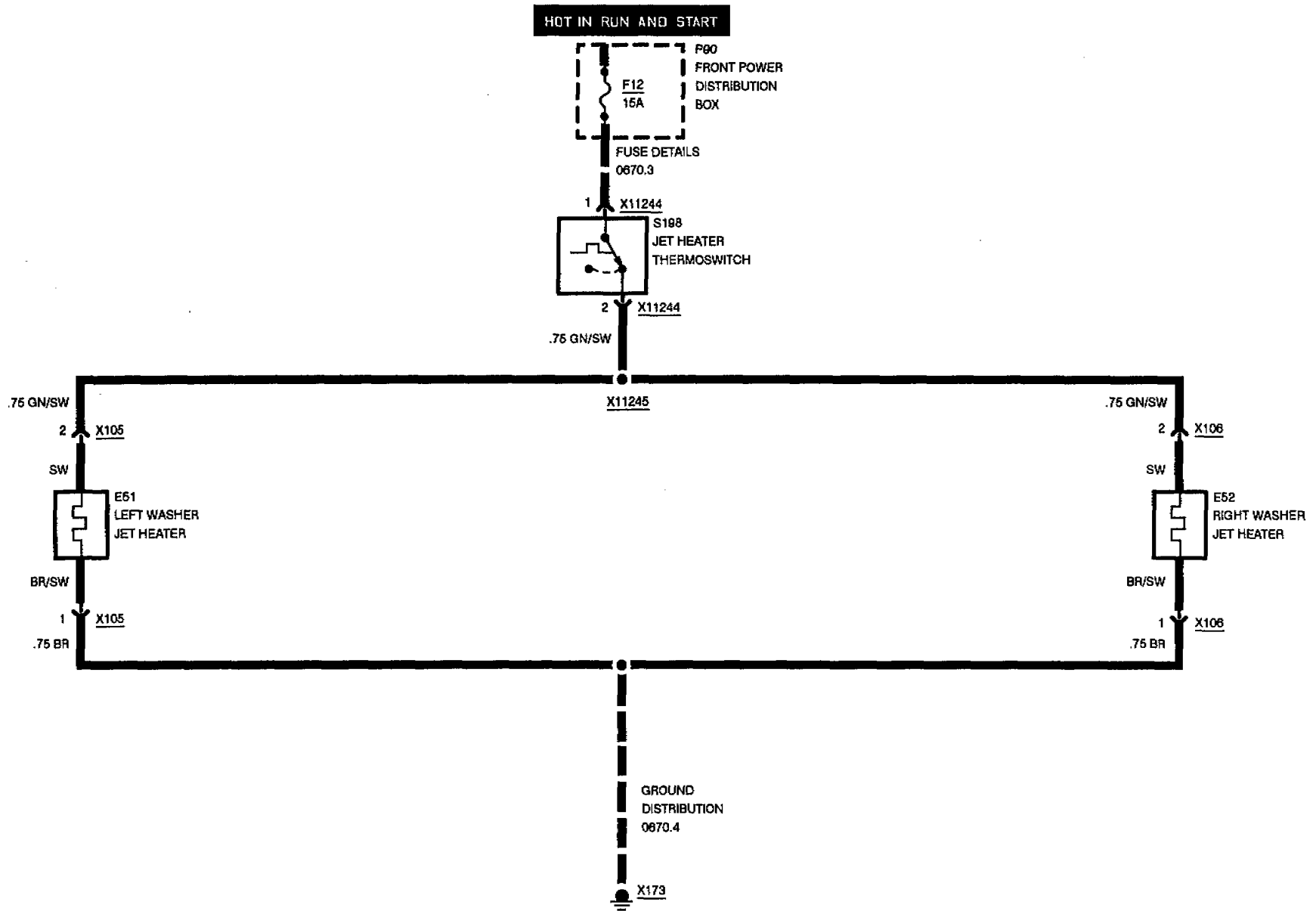


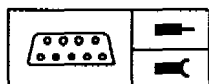


6169.0



WINDSHIELD WASHER JET HEATERS





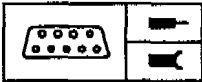
Pin Assignments

A = X39	26 pins, green
B = X40	26 pins, brown
C = X41	26 pins, blue
D = X42	5 pins, black

X39

Pin	Type	Description/Function	Connection
1	E	Voltage (terminal R)	Fuse
2	E/A	Diagnostic link (TxD)	TxD connection of various control units
3	A	Diagnostic link (RxD)	RxD connection of various control units
4		Not used	
5		Not used	
6		Not used	
7	A	Acoustic output 1 (hour reminder signal)	Acoustic device
8		Not used	
9	E	Transmission program (EGS)	Program switch
10	E	Transmission defect (EGS)	Transmission control module (EGS)
11	E	Transmission program (EGS)	Transmission control module (EGS)
12	E	Starter signal (30h)	Starter
13	E	Position switch L1	Automatic transmission range switch
14	A	Vehicle speed signal	Various control modules
15		Not used	
16		Not used	
17	E/A	Instrument cluster interface/data transfer to instrument cluster	Instrument cluster
18		Not used	
19		Not used	
20	A	Acoustic output 2 (outside temperature warning)	Acoustic device
21	A	Acoustic output 3 (check control message)	Acoustic device
22	A	Trigger alarm at antitheft horn with drive-away protection active	Antitheft module

E = Input, A = Output, M = Ground



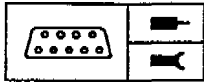
Pin Assignments

Pin	Type	Description/Function	Connection
23	A	Trigger alarm at antitheft horn with drive-away protection active	Antitheft module
24	E	Position switch L 4	Automatic transmission range switch
25	E	Position switch L 3	Automatic transmission range switch
26	E	Position switch L 2	Automatic transmission range switch

X40

Pin	Type	Description/Function	Connection
1	E/A	I-bus (instrument bus)	I-bus users
2		Not used	
3		Not used	
4		Not used	
5	A	Sensor ground	Fuel level sensor and vehicle speed sensor
6	E	Seat belt buckle signal/Left backrest locked signal	Driver's seat belt switch/Driver's seatback switches
7	E	Ignition key status	Ignition switch
8		Not used	
9		Not used	
10		Not used	
11		Not used	
12		Not used	
13		Not used	
14	E	Vehicle speed signal	Vehicle speed sensor
15	A	Signal (DWA)	Antitheft module
16		Not used	
17	E	Left backrest locked signal/Seat belt buckle signal	Driver's seatback switches/Driver's seat belt switch
18	E	Right backrest locked signal	Passenger's seatback switches
19		Not used	
20	E	Brake pad wear indicator	Brake pad sensors
21	E	Driver's door status	Driver's door jamb switch

E = Input, A = Output, M = Ground



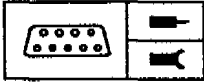
Pin Assignments

Pin	Type	Description/Function	Connection
22		Not used	
23		Not used	
24	E	Park brake status	Park brake switch
25	E	Trunk lid status	Trunk lid switch
26	E	Fuel level	Fuel level sensors

X41

Pin	Type	Description/Function	Connection
1		Not used	
2		Not used	
3		Not used	
4	E	Injection signal 1 (ti)	Cyl. 1 - 6 engine control module (DME)
5	E	Outside temperature	Temperature sensor
6	E	Engine oil pressure	Oil pressure switch
7	E	Engine speed (rpm) signal (tD)	Cyl. 1 - 6 engine control module (DME)
8	E	SIA reset	Data link connector Pin 7
9	M	Ground	Ground point
10		Not used	
11	E	Washer fluid level	Washer fluid level switches
12		Not used	
13		Not used	
14	A	Sensor ground	Temperature sensor for coolant and outside temperature
15	E	Dynamic engine oil level	Oil level sensor
16	E	Coolant temperature	Coolant temperature sensor
17	E	Injection signal 2 (ti)	Cyl. 7 - 12 engine control module (DME)
18	A	Starter blocking	Engine control modules (DME)
19		Park ventilation	Park heating/ventilation relay box
20		Not used	
21	E	Brake fluid level	Brake fluid level switch
22	E	Brake pressure	Brake pressure switches

E = Input, A = Output, M = Ground



Pin Assignments

Pin	Type	Description/Function	Connection
23		Not used	
24		Not used	
25		Not used	
26	E	Static engine oil level	Oil level sensor

X42

Pin	Type	Description/Function	Connection
1	E	Voltage supply (terminal 30)	Battery
2	E/A	RxD diagnostic data line	Data link connector
3	E/A	TxD diagnostic data line	Data link connector
4	E	Ground	Ground point
5	E	Voltage (terminal 15)	Fuse

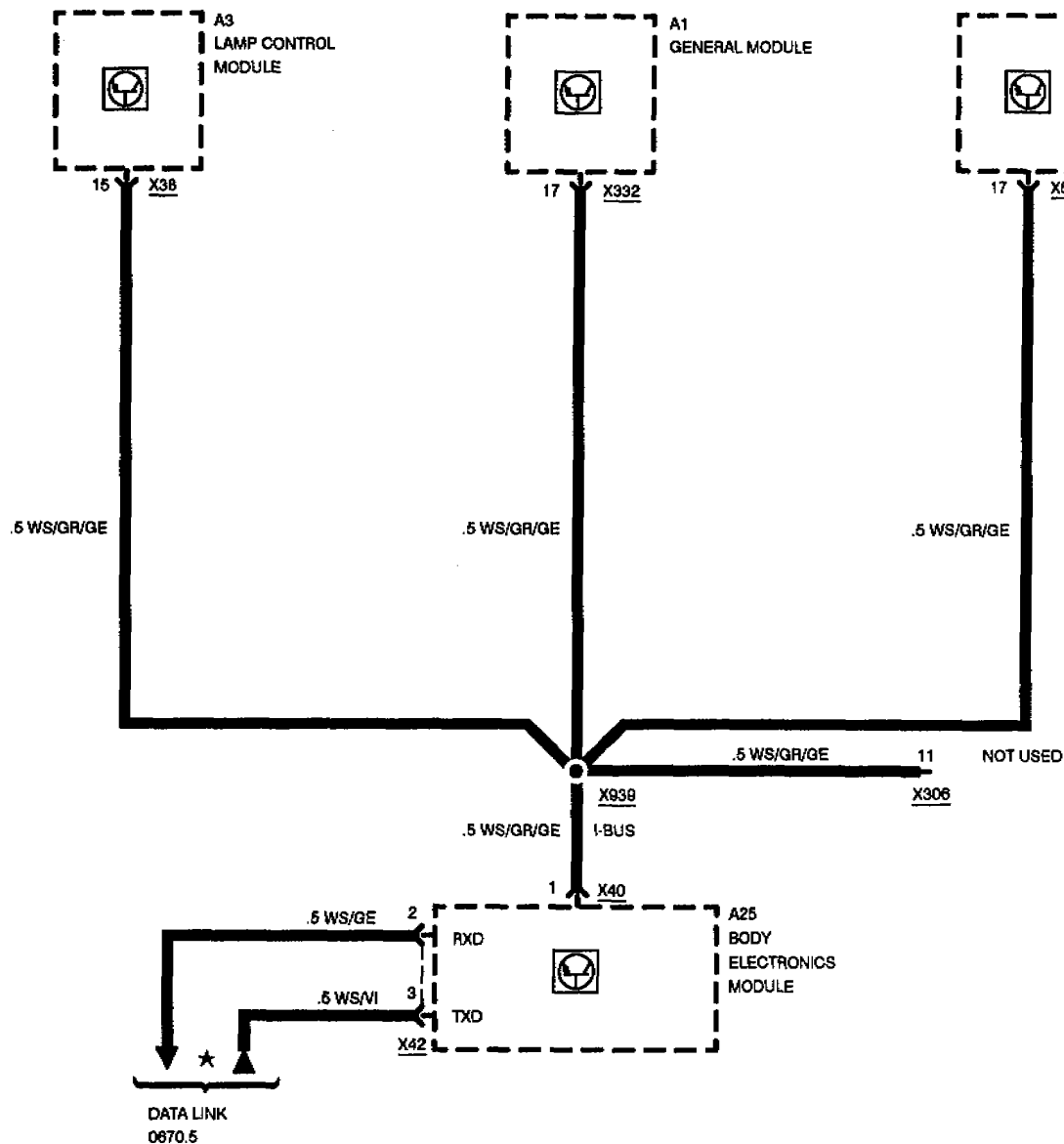
E = Input, A = Output, M = Ground





BODY ELECTRONICS MODULE (EKM)

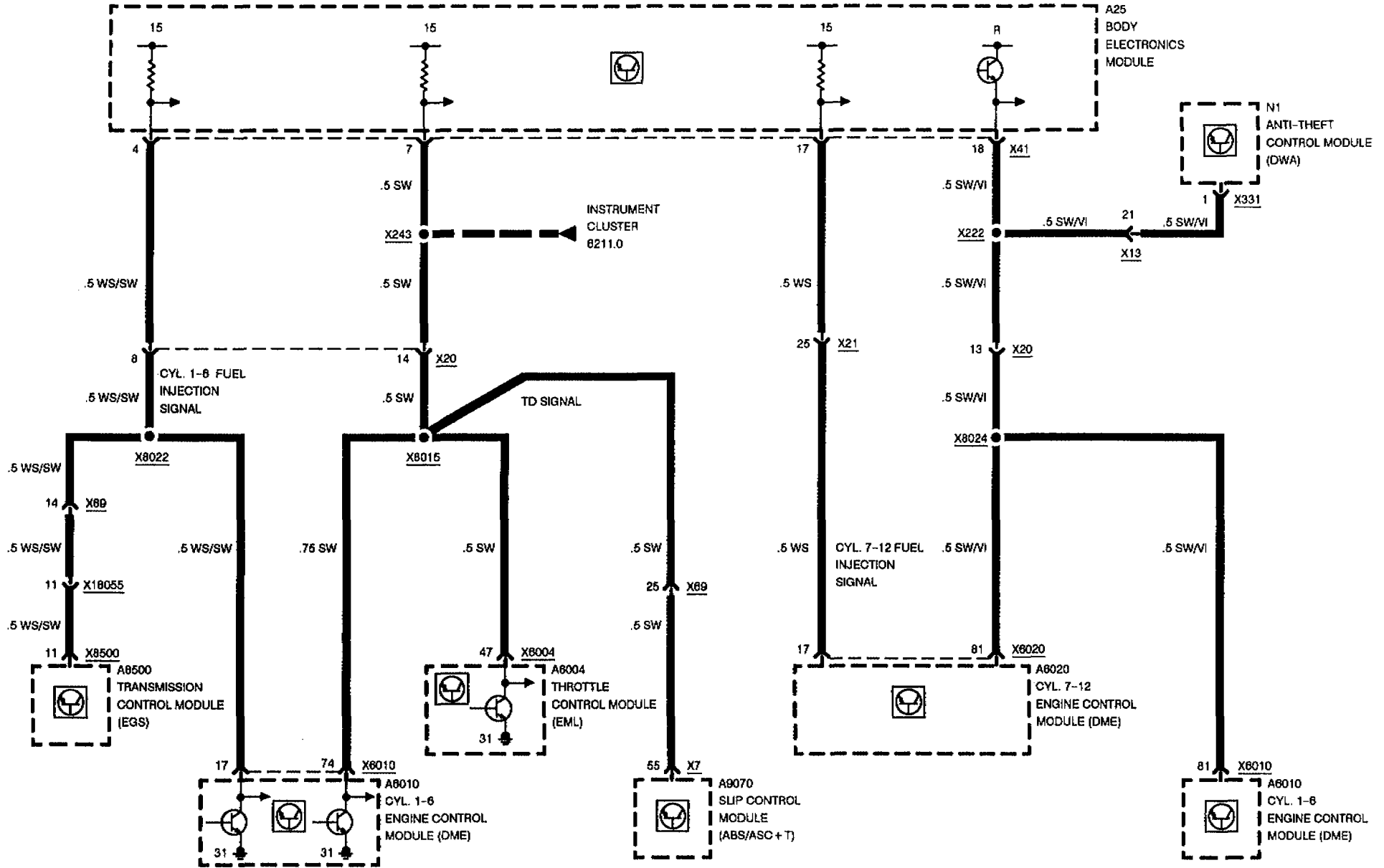
INSTRUMENTATION BUS (I-BUS)



★ DATA LINK INFORMATION FOR ALL COMPONENTS CONNECTED TO THE I-BUS IS OBTAINED FROM THE DATA LINK CONNECTIONS TO A25 BODY ELECTRONICS MODULE (EKM)

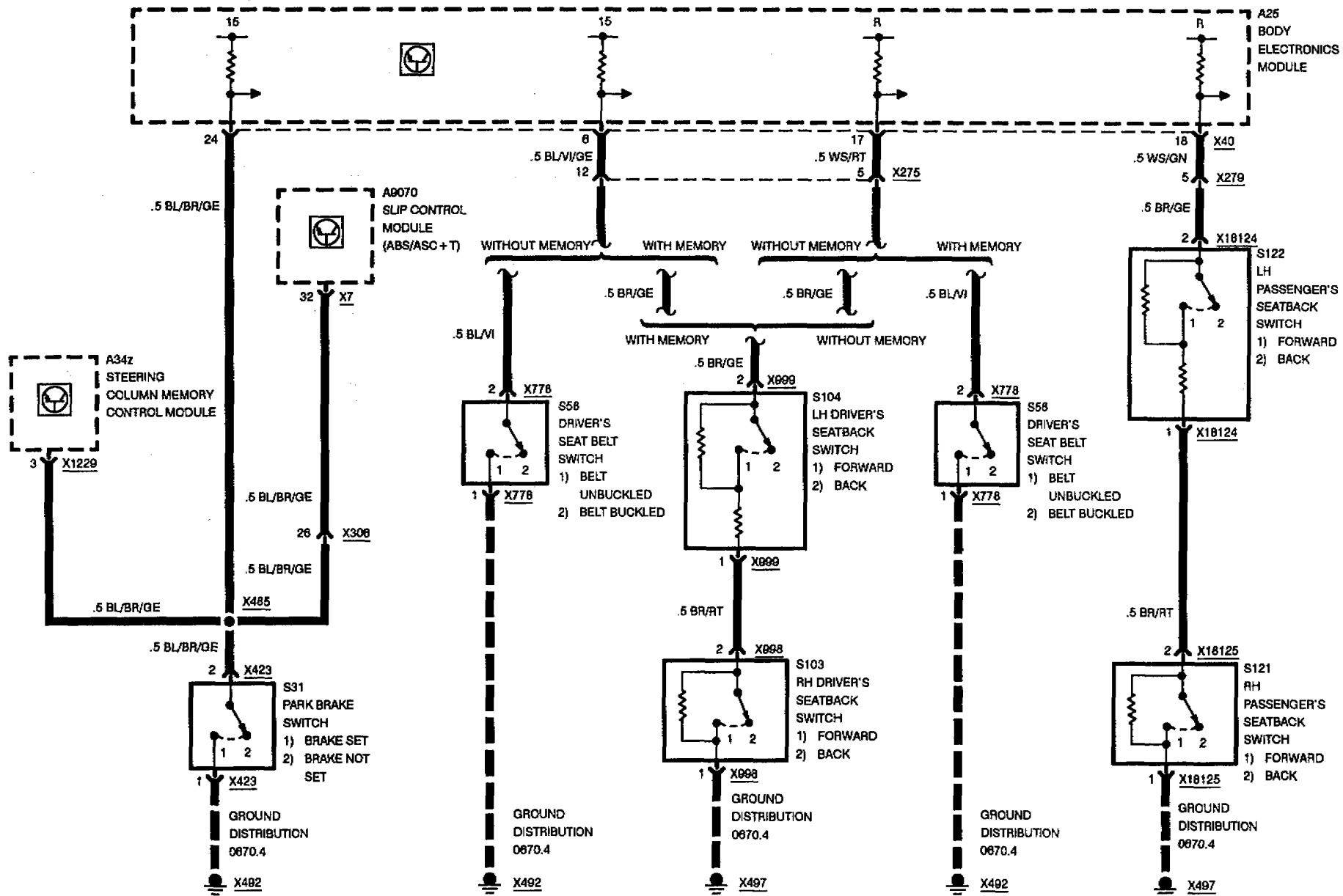


BODY ELECTRONICS MODULE (EKM)

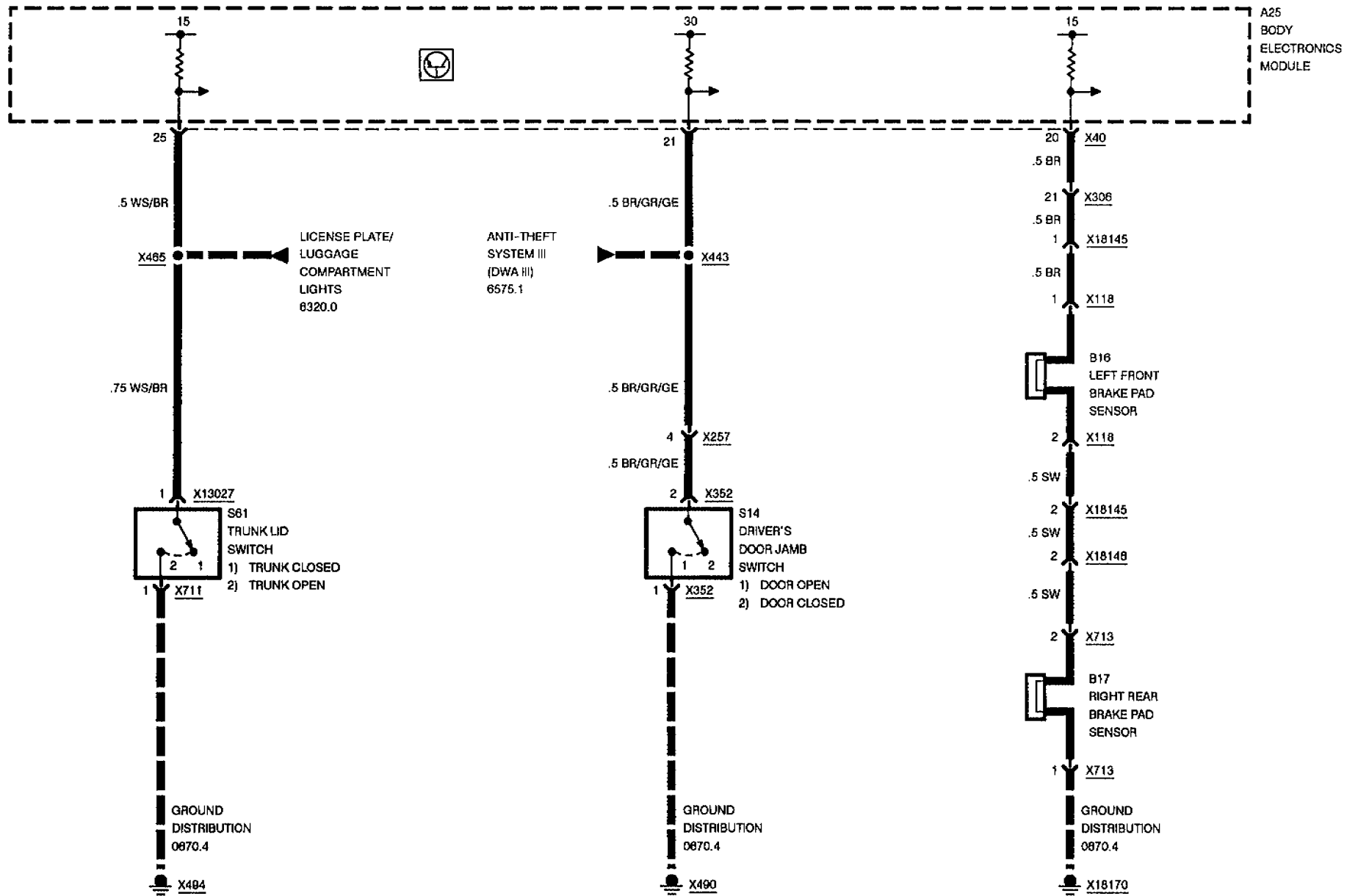




BODY ELECTRONICS MODULE (EKM)



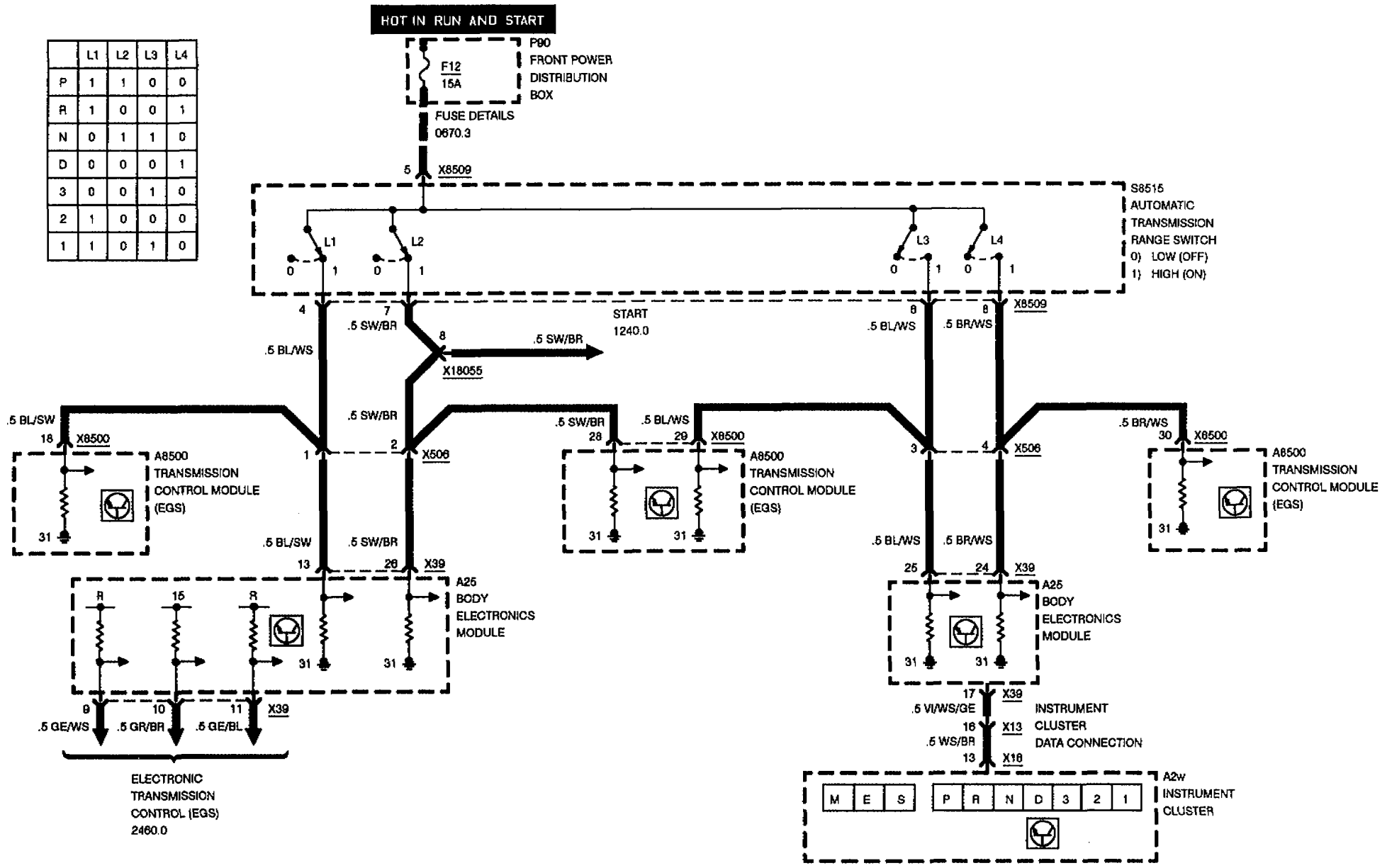
BODY ELECTRONICS MODULE (EKM)





BODY ELECTRONICS MODULE (EKM)

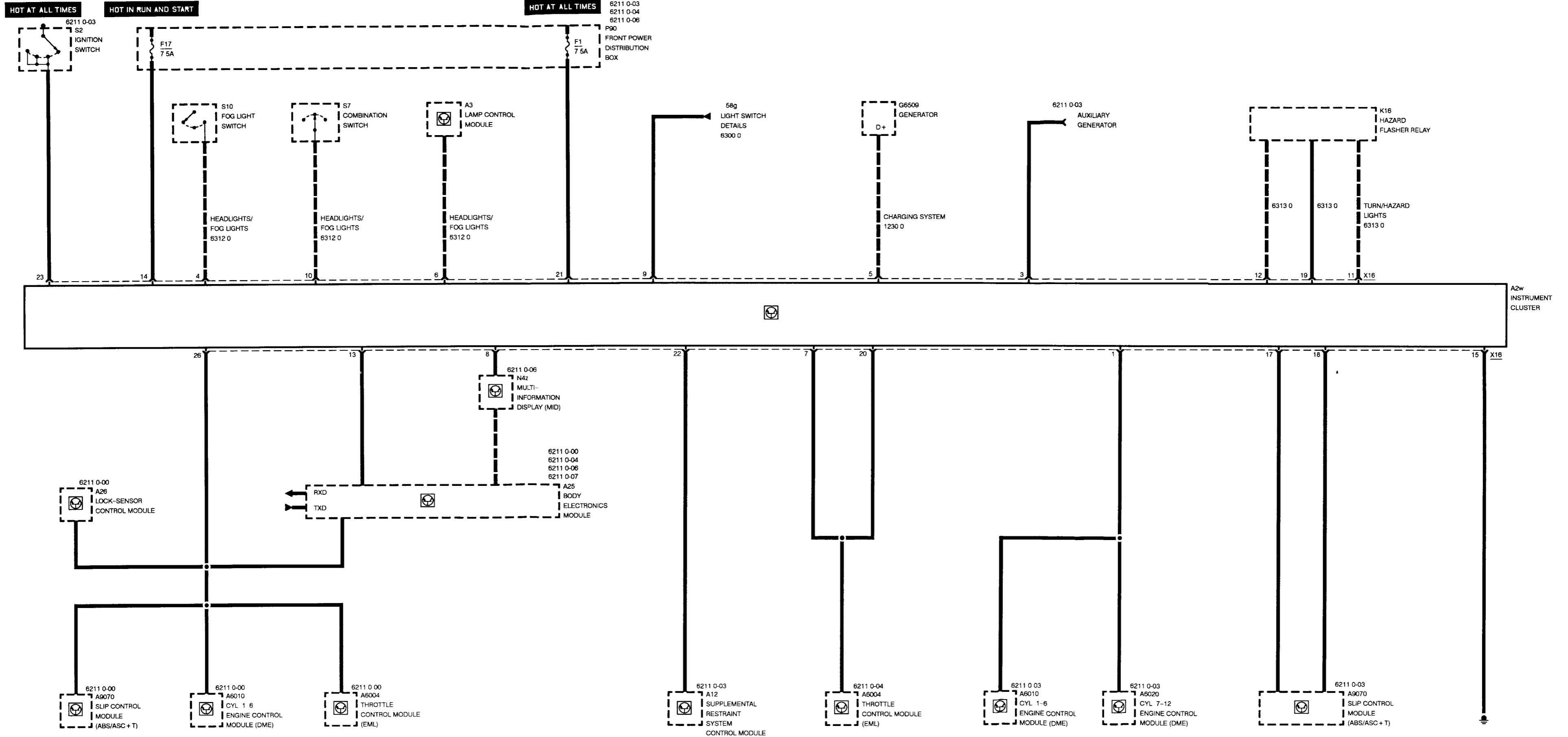
	L1	L2	L3	L4
P	1	1	0	0
R	1	0	0	1
N	0	1	1	0
D	0	0	0	1
3	0	0	1	0
2	1	0	0	0
1	1	0	1	0

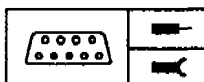


09/92 6210.0-09 1993

BMW
8

6210.0-10





Pin Assignments

X16

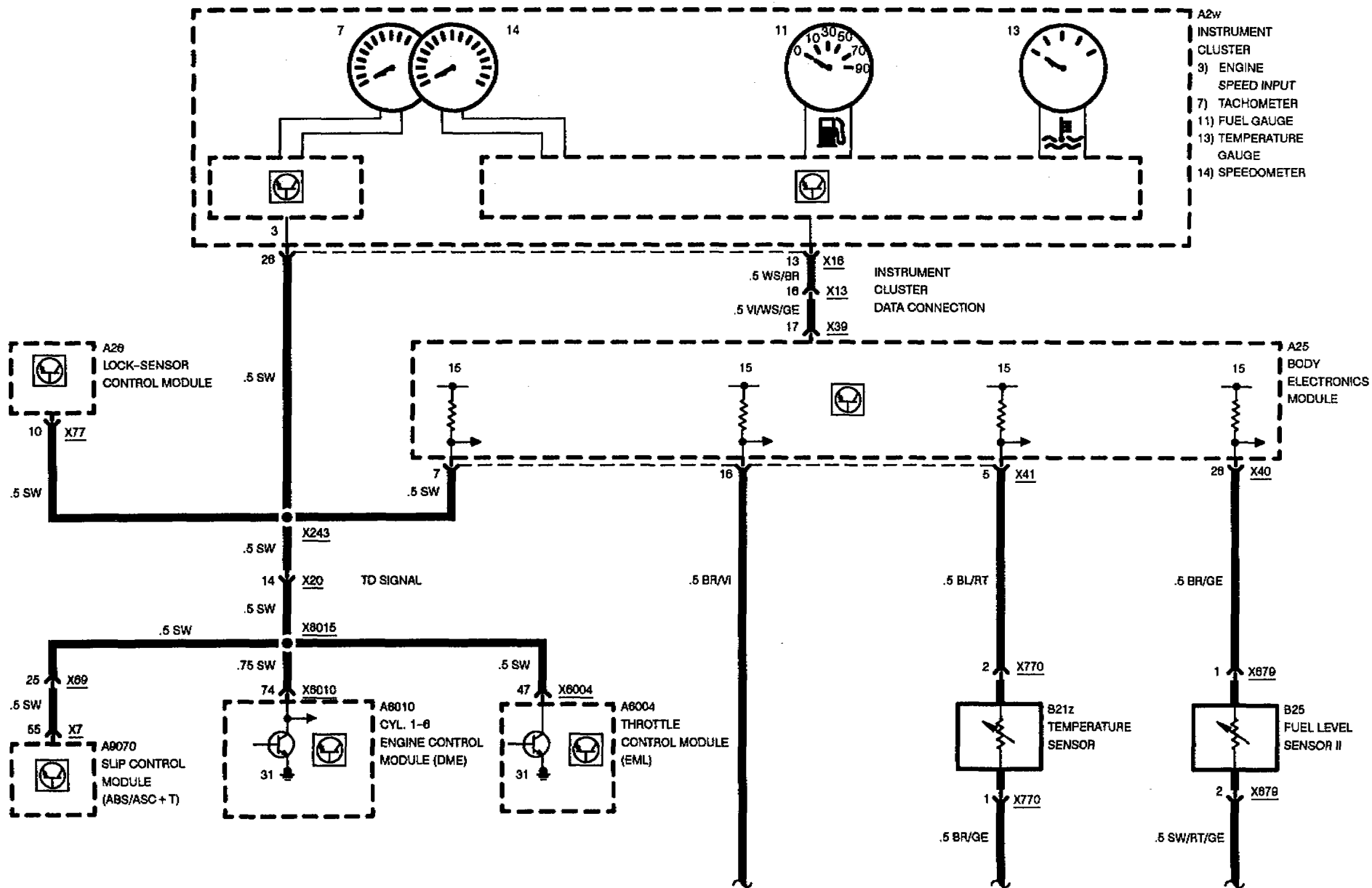
Pin	Type	Description/Function	Connection
1	E	Service reminder indicator (US only)	Engine control modules (DME)
2	E	Indicator lamp (not connected at present)	Active rear axle kinematics (AHK)
3		Battery charge indicator lamp 2	Auxiliary generator
4	E	Rear fog light indicator lamp	Fog light switch
5		Battery charge indicator lamp 1	Generator
6	E	Fog light indicator light	Lamp control module
7	E	EML warning light	Electronic throttle control module (EML)
8	E	Display lighting electronically dimmed	Multi-information-display (MID)
9	E	Terminal 58g, switch and instrument lighting	Dimmer
10	E	High beam indicator	Combination switch
11	E	Right turn signal indicator	Hazard flasher relay
12	E	Left turn signal indicator	Hazard flasher relay
13	E/A	Serial interface - instrument cluster data link	Body electronics module (EKM)
14	E	Voltage (terminal 15)	Fuse
15	M	Ground	Ground point
16		Not used	
17	E	ASC + T indicator lamp	ASC + T control unit
18	E	ABS indicator lamp	ASC + T control unit
19	E	Trailer turn signal indicator	Hazard flasher relay
20	E	EML warning lamp	Electronic throttle control module (EML)
21	E	Voltage (terminal 30)	Fuse
22	E	Airbag warning lamp	Airbag control unit
23	E	Voltage (terminal R), not protected	Ignition switch
24		Not used	
25		Not used	
26	E	Engine speed (rpm) signal (tD)	Cyl. 1 - 6 engine control module (DME)

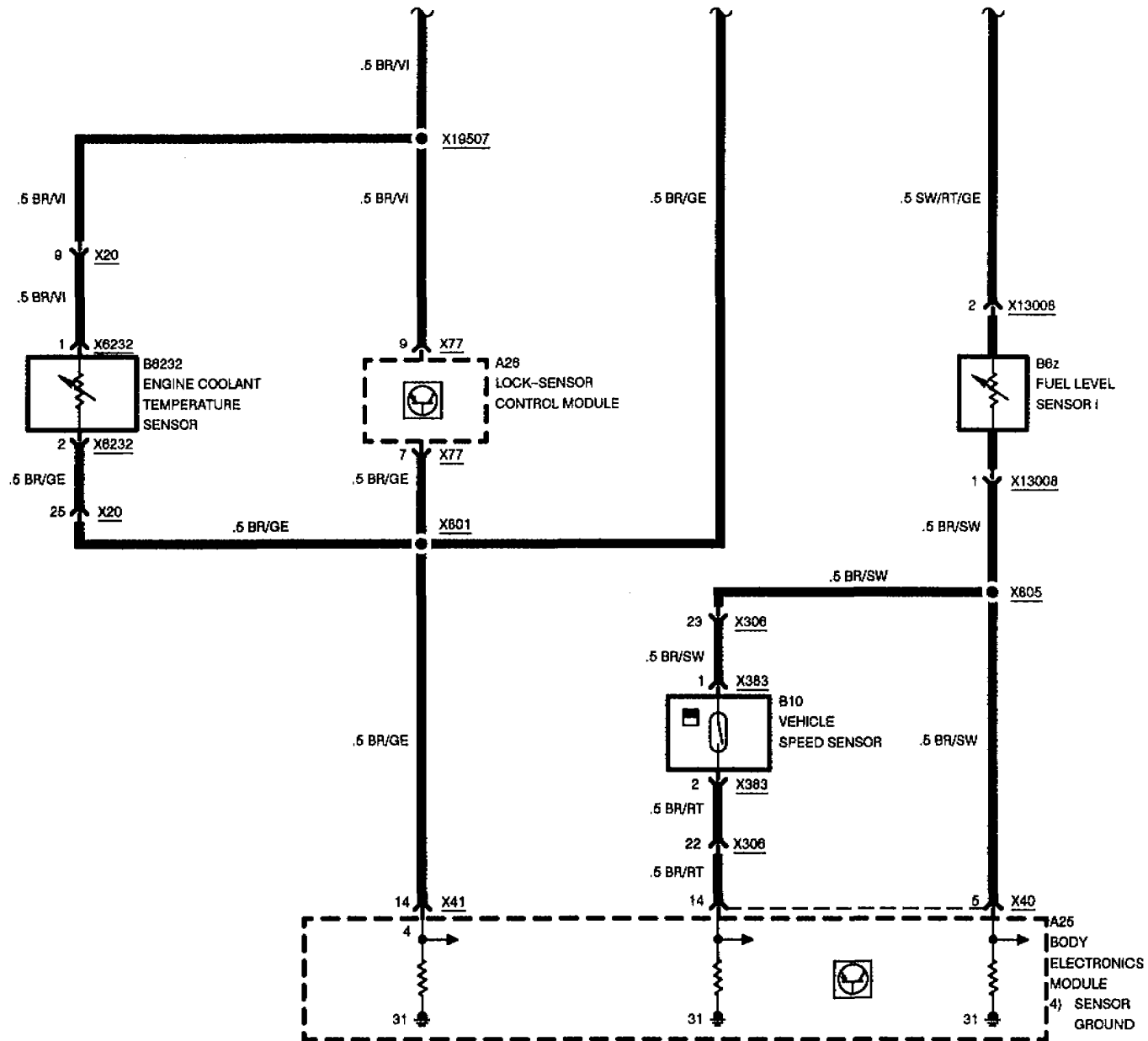
E = Input, A = Output, M = Ground



INSTRUMENT CLUSTER

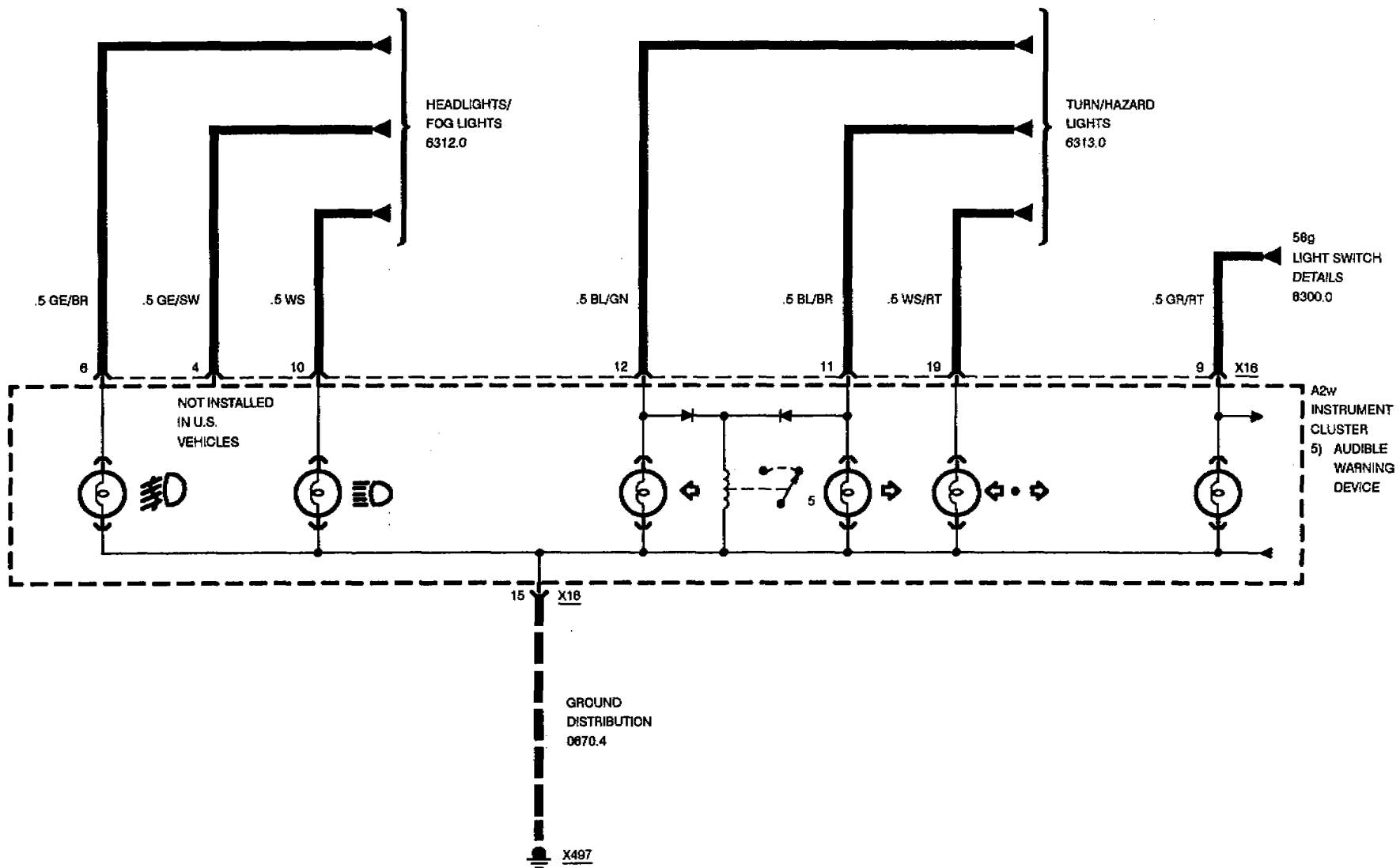
INDICATORS





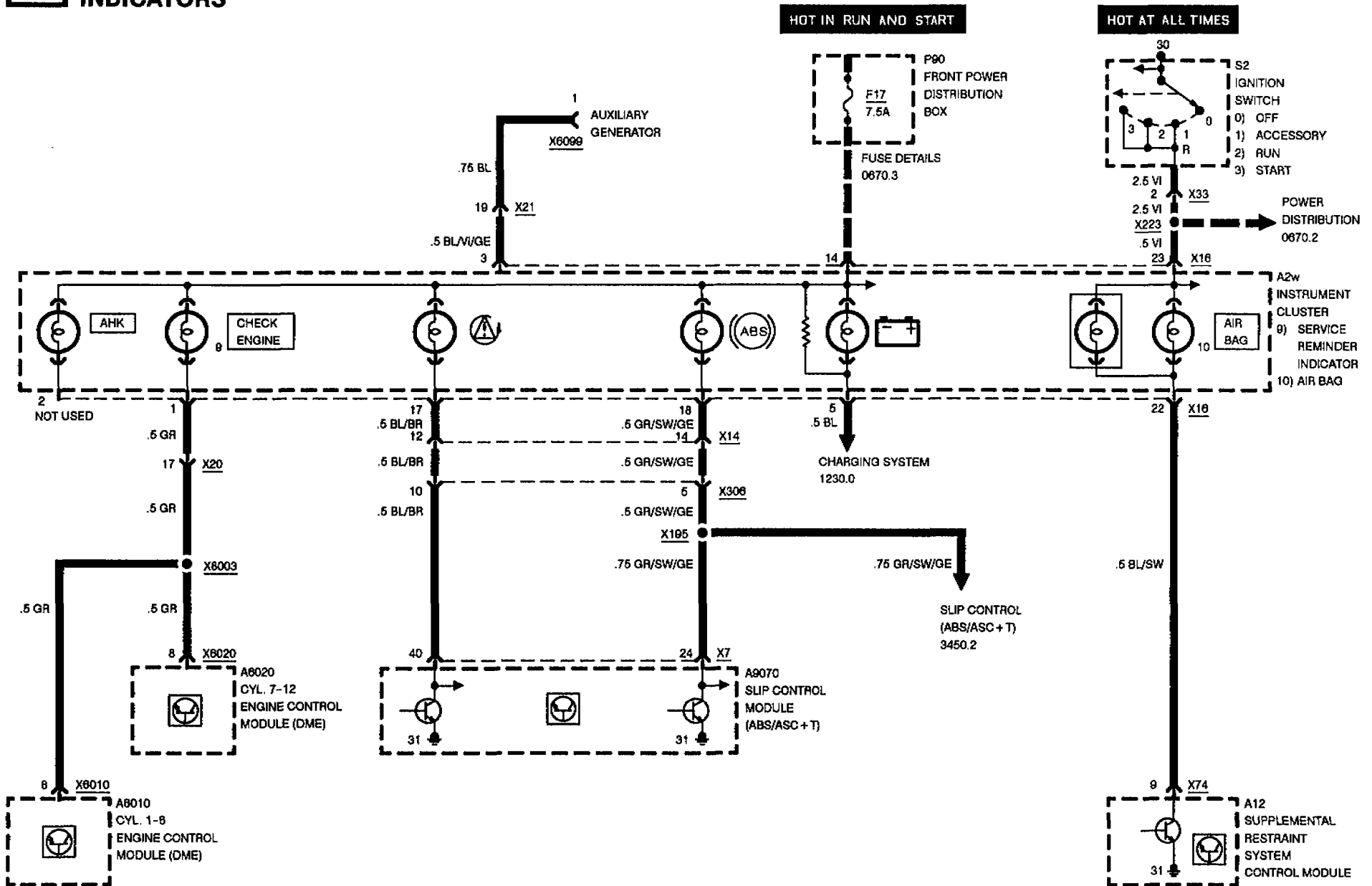


INSTRUMENT CLUSTER INDICATORS





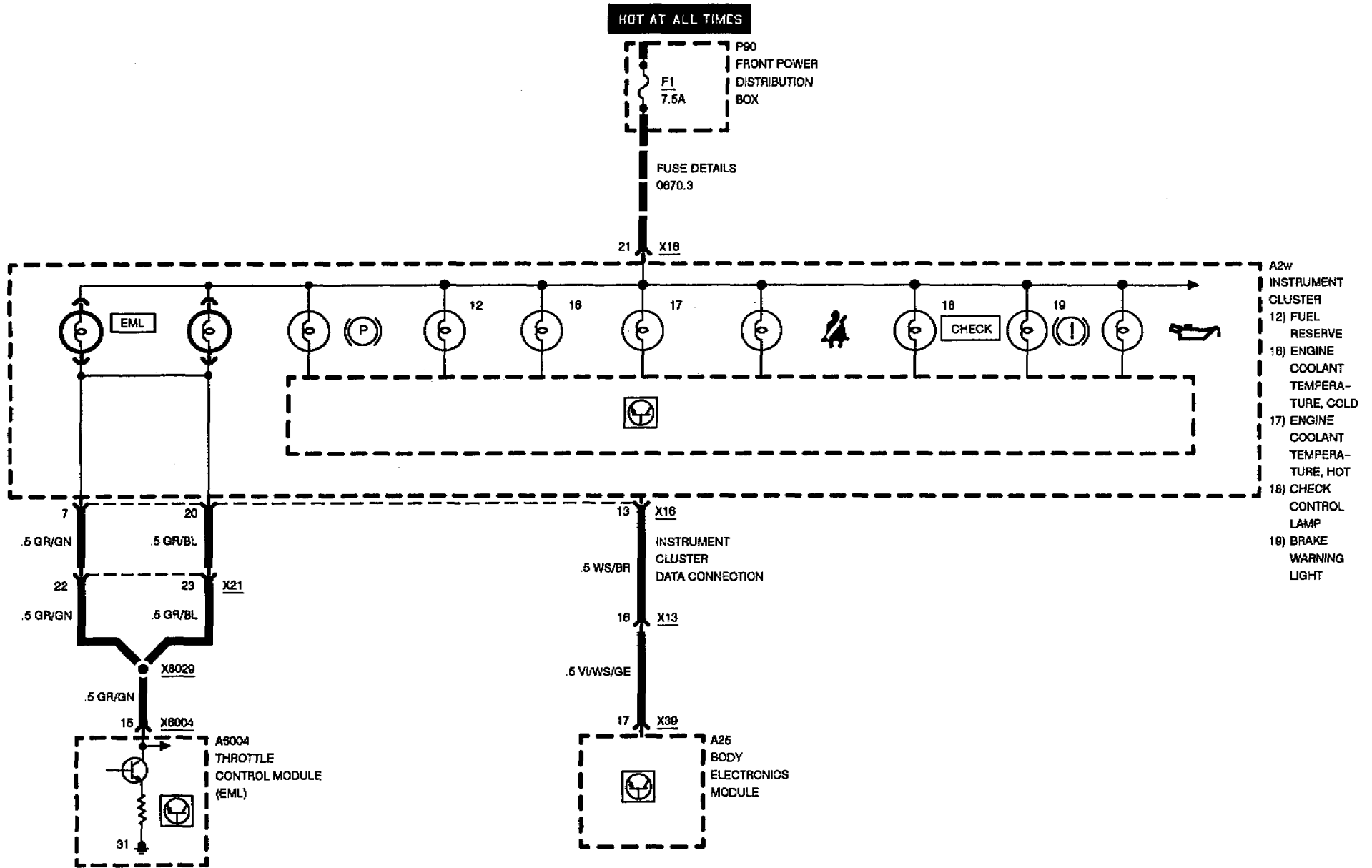
INSTRUMENT CLUSTER INDICATORS





INSTRUMENT CLUSTER

INDICATORS

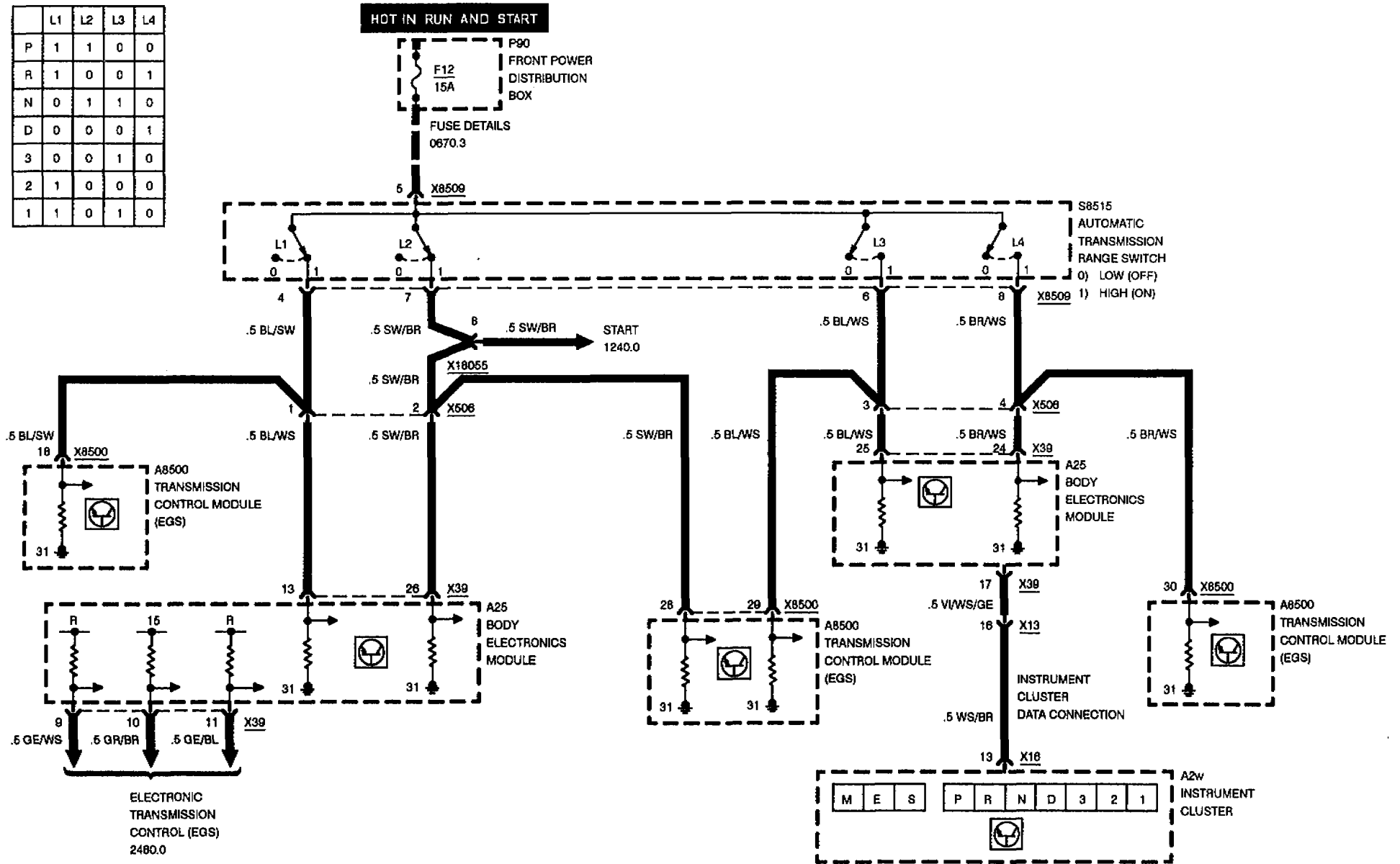




INSTRUMENT CLUSTER

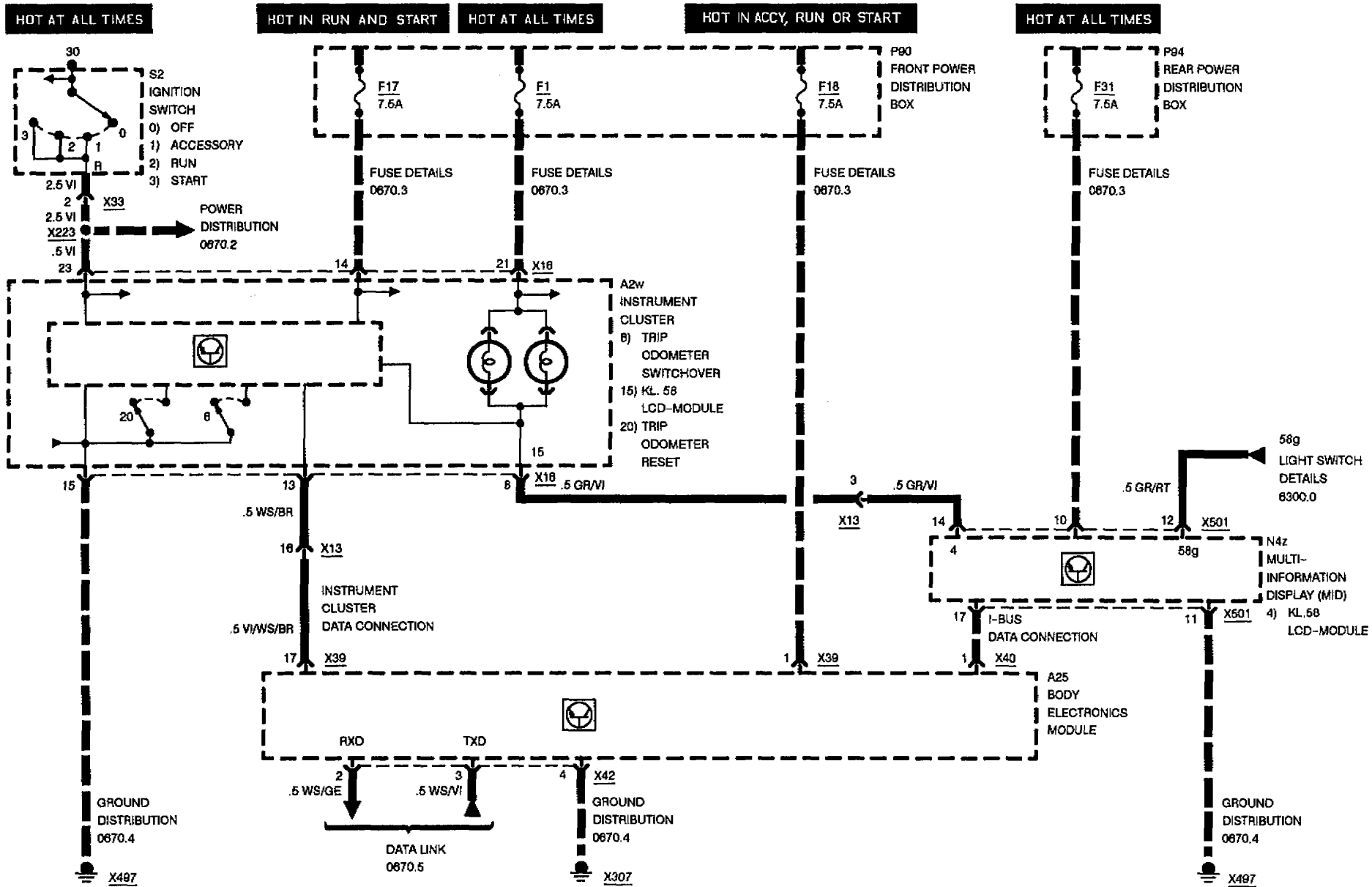
GEAR SELECTOR

	L1	L2	L3	L4
P	1	1	0	0
R	1	0	0	1
N	0	1	1	0
D	0	0	0	1
3	0	0	1	0
2	1	0	0	0
1	1	0	1	0





INSTRUMENT CLUSTER

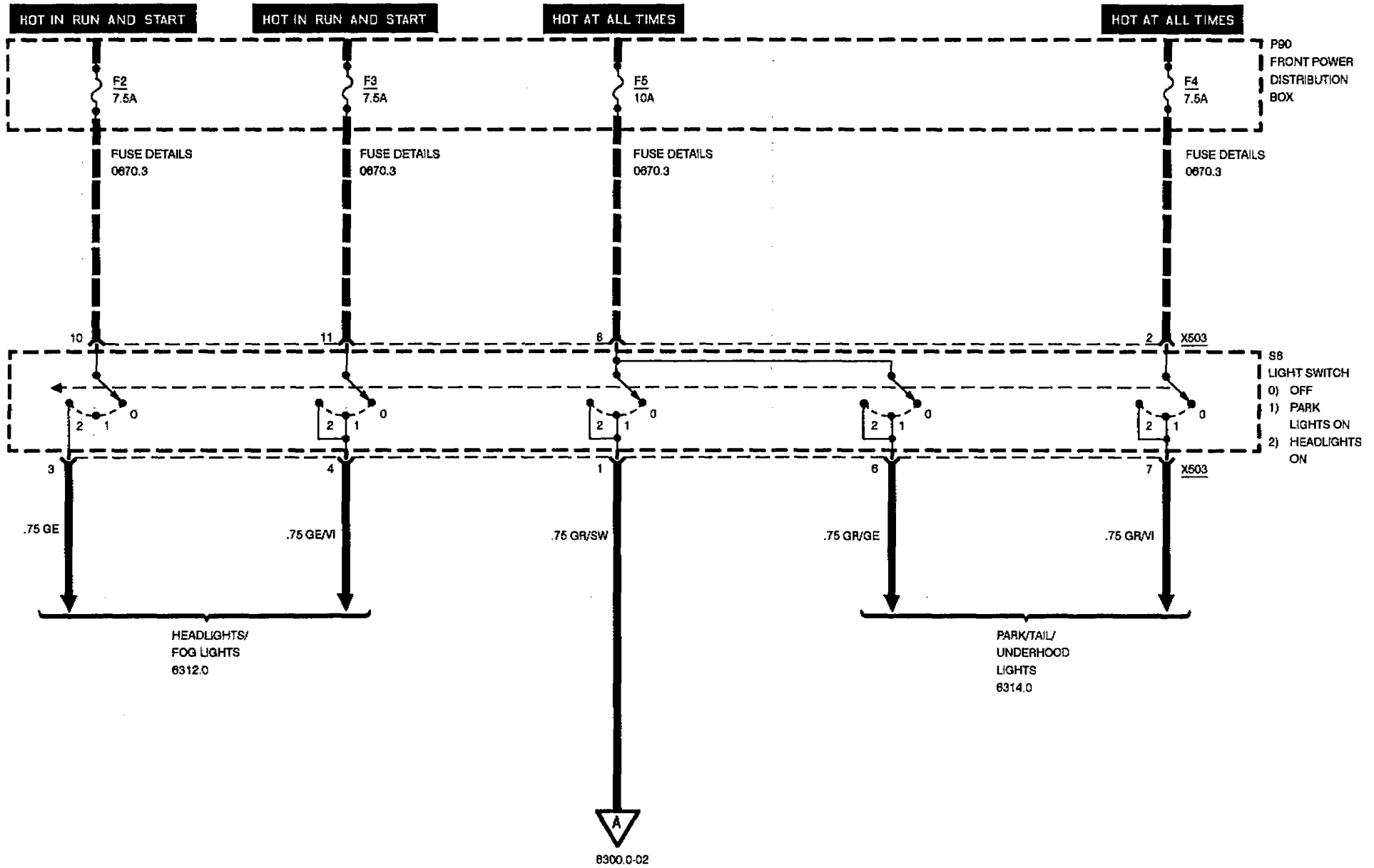


BMW
8

6300.0



LIGHT SWITCH DETAILS





LIGHT SWITCH DETAILS

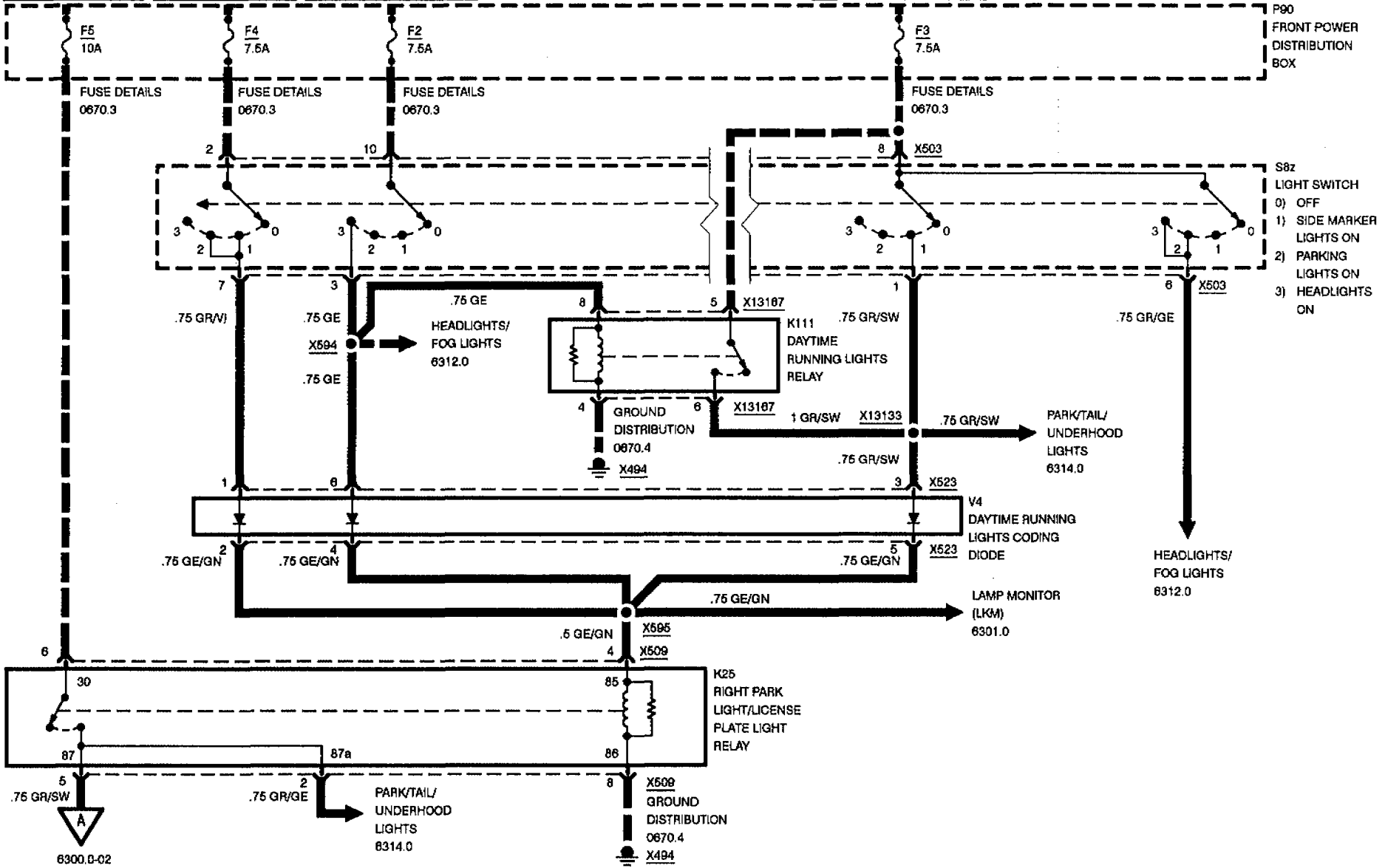


HOT AT ALL TIMES

HOT AT ALL TIMES

HOT IN RUN AND START

HOT IN RUN AND START



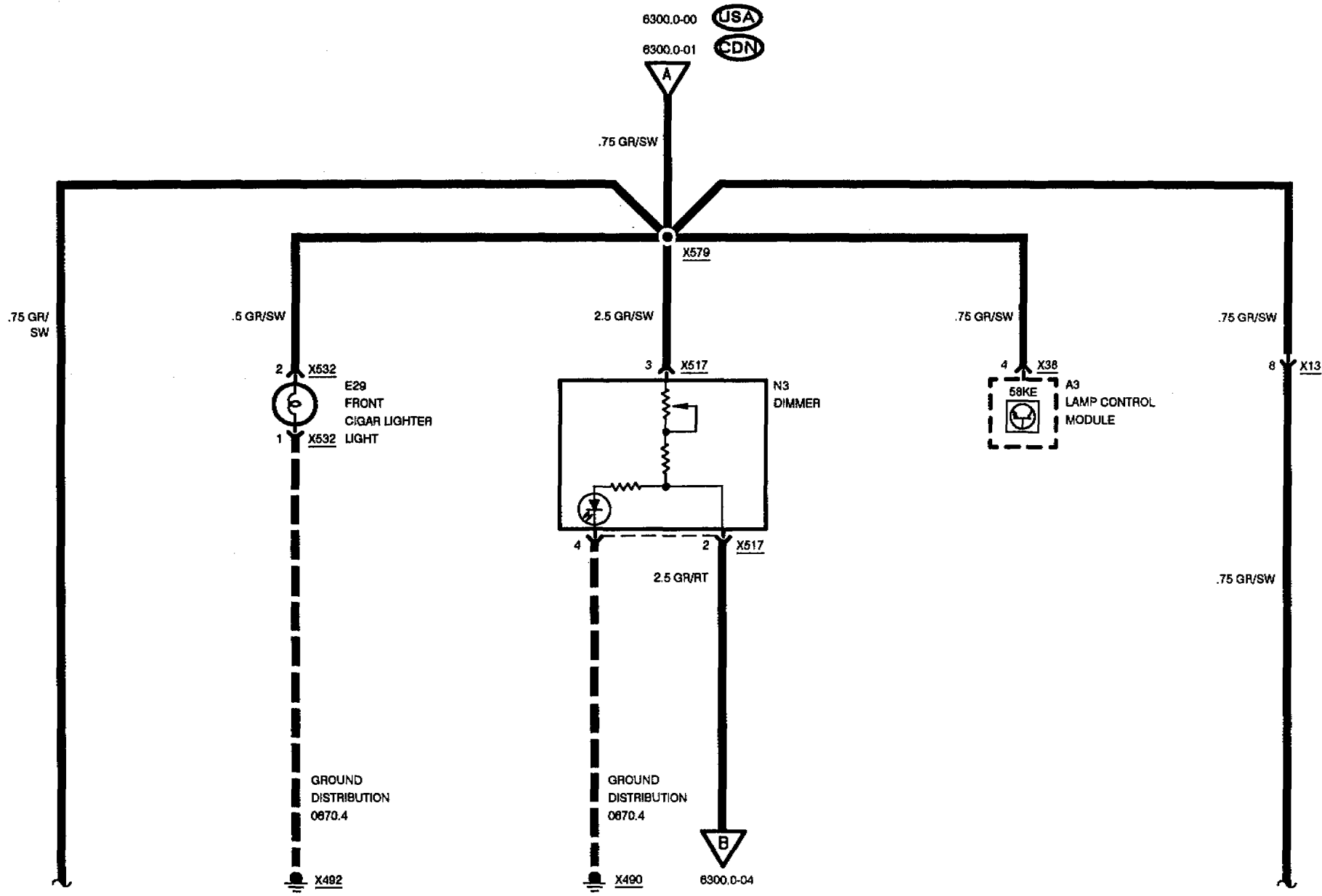
6300.0-02

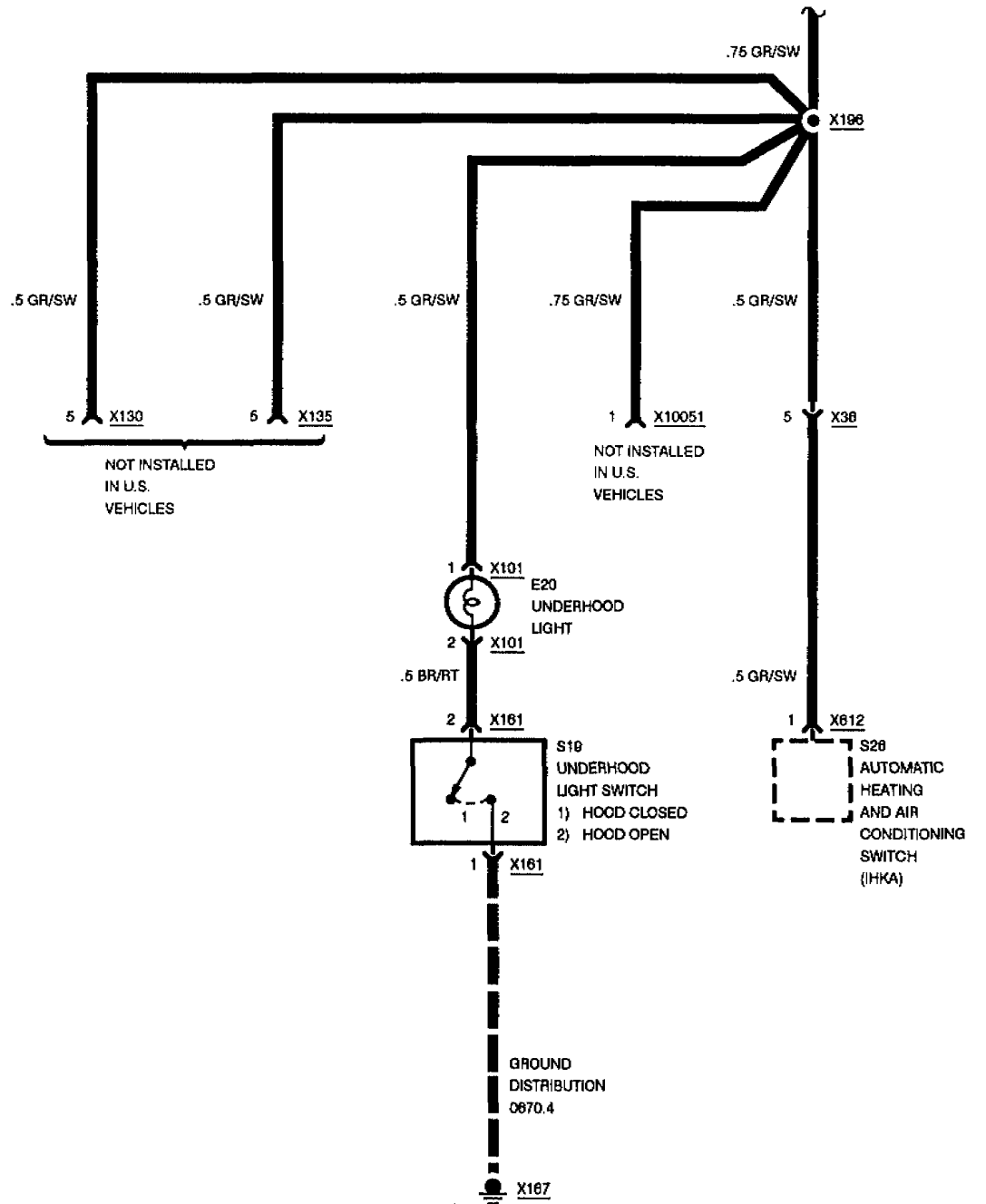
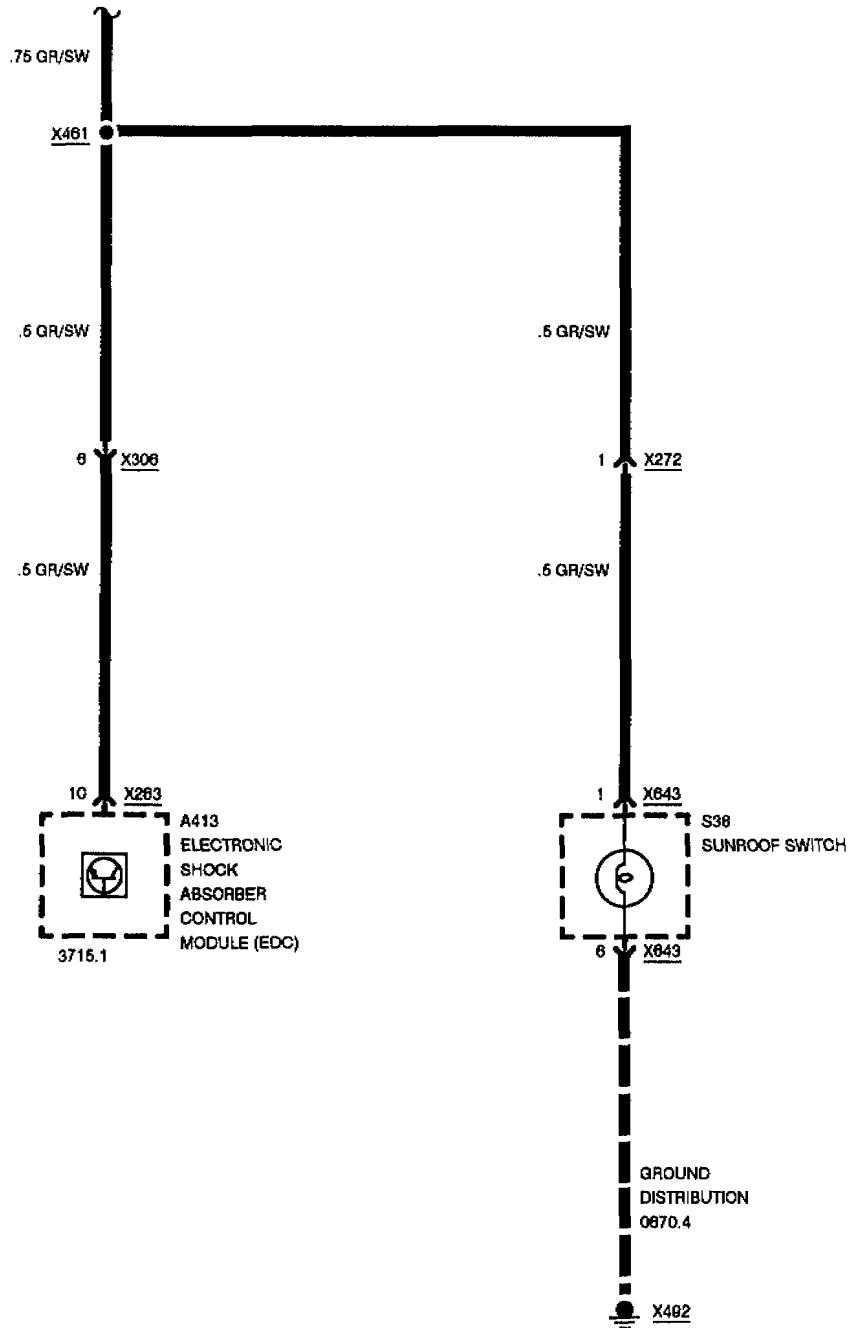
PARK/TAIL/ UNDERHOOD LIGHTS 6314.0

HEADLIGHTS/ FOG LIGHTS 6312.0



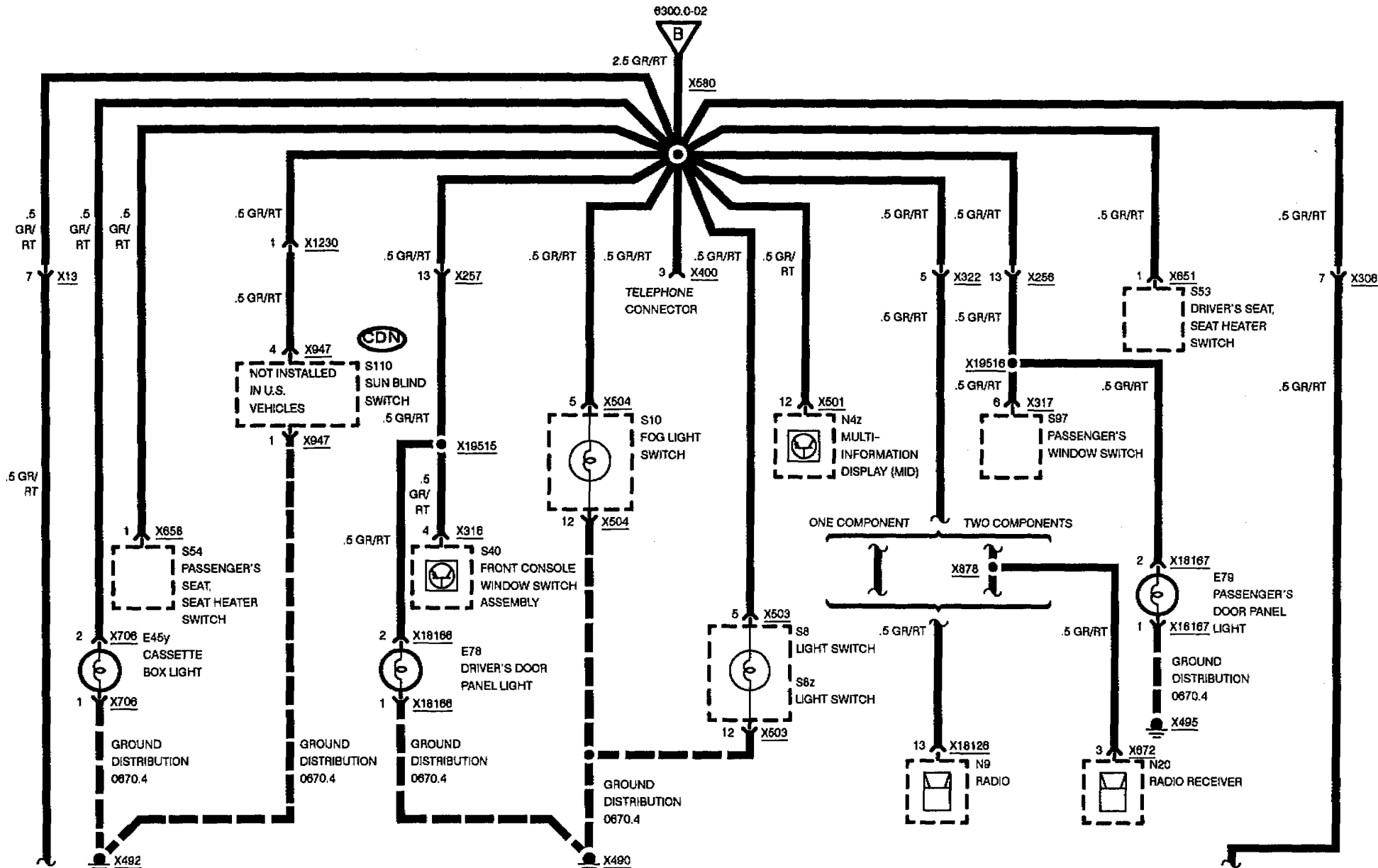
LIGHT SWITCH DETAILS







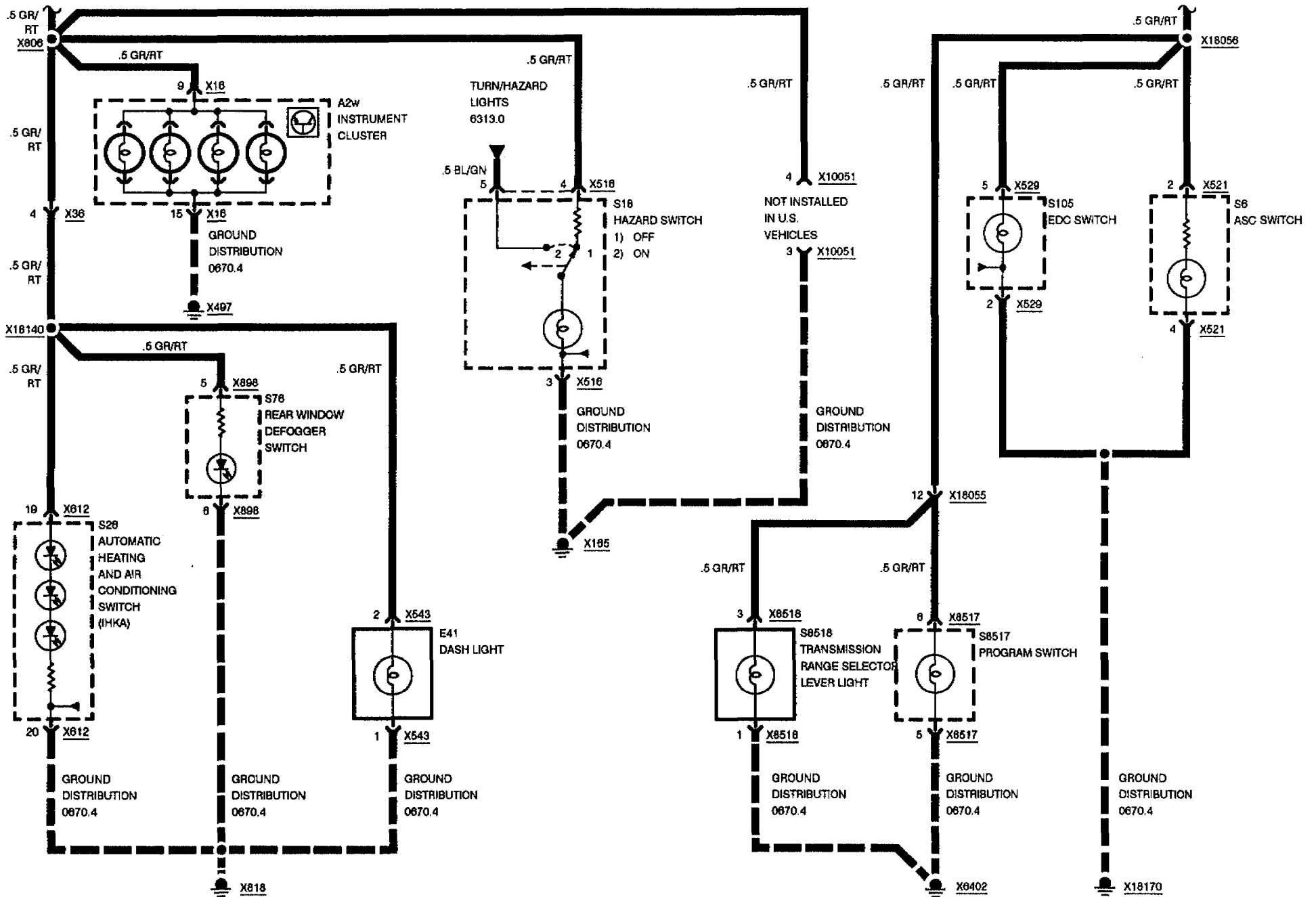
LIGHT SWITCH DETAILS



12/93

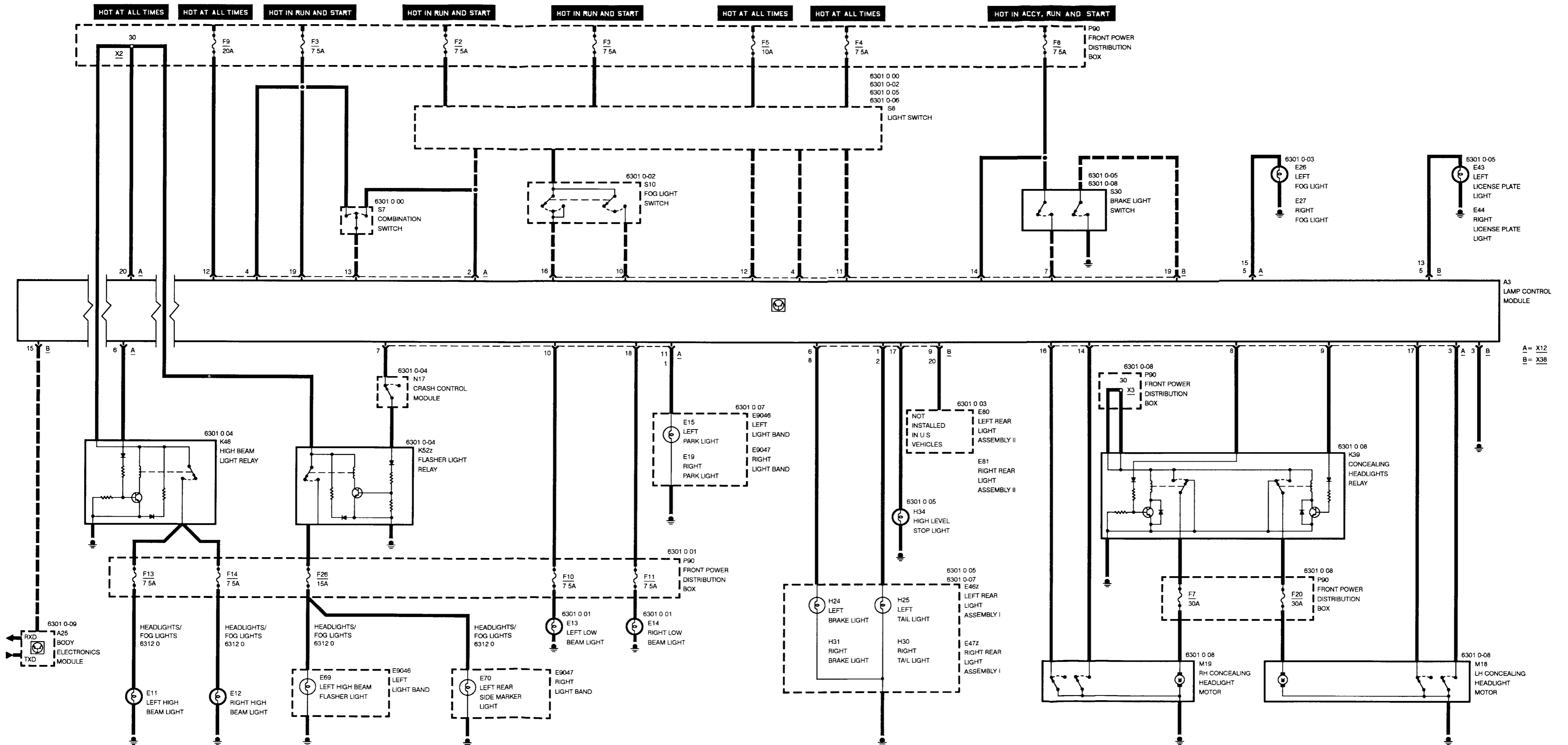
6300.0-04

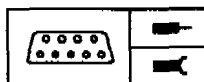
1993





6300.0-06





Pin Assignments

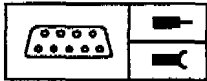
A=X12 20 pins, white

B=X38 20 pins, black

X12

Pin	Type	Description/Function	Connection
1	A	Right front parking light	Rear light assembly
2	E	Light switch/low beam	Light switch
3	E	Left KSW position signal (KSW position OPEN)	Left concealing headlight motor (KSW)
4	E	Power circuit for rear fog light, control circuit for fog lights, low beam, high beam/headlight flasher	Fuse
5	A	Right fog light	Right fog light
6	A	High beam relay (double relay high beam/headlight flasher)	High beam light relay
7	A	Headlight flasher relay (double relay high beam/headlight flasher)	Crash control unit
8	A	Right concealing headlight motor signal	Concealing headlight relay
9	A	Left concealing headlight motor signal	Concealing headlight relay
10	A	Left low beam	Left low beam light
11	A	Left front parking light	Left light assembly
12	E	Power circuit for fog lights	Fuse
13	E	High beam	Combination switch
14	E	Right KSW position signal (KSW position OPEN)	Right concealing headlight motor (KSW)
15	A	Left fog light	Left fog light
16	E	Right KSW position signal (KSW position CLOSED)	Right concealing headlight motor (KSW)
17	E	Left KSW position signal (KSW position CLOSED)	Left concealing headlight motor (KSW)
18	A	Right low beam	Right low beam light
19	E	Voltage supply terminal 15/control circuit	Fuse
20	E	Voltage supply terminal 30/control circuit	Power distribution box

E = Input, A = Output, M = Ground



Pin Assignments

X38

Pin	Type	Description/Function	Connection
1	A	Left tail light	Left tail light
2	A	Right tail light	Right tail light
3	M	Ground	Ground point
4	E	License plate light signal	Light switch
5	A	Right license plate light	Right license plate light
6	A	Left brake light	Left brake light
7	E	Brake light signal	Brake light switch
8	A	Right brake light	Right brake light
9	A	Left rear fog light	Left rear light assembly
10	E	Rear fog light voltage	Fog light switch
11	E	Left parking light voltage	Light switch/left park light relay
12	E	Right parking light voltage	Light switch/right park light relay
13	A	Left license plate light	Left license plate light
14	E	Brake lights voltage	Fuse
15	E/A	I-bus/data link	All control units with I-bus
16	E	Fog light voltage	Fog light switch
17	A	High level stop light	High level stop light
18		Not used	
19	E	Brake pedal status	Brake light test switch
20	A	Right fog light	Right rear light assembly

E = Input, A = Output, M = Ground





LAMP MONITOR (LKM)

HEADLIGHTS

HOT IN RUN AND START

HOT IN RUN AND START

HOT IN RUN AND START

P90
FRONT POWER
DISTRIBUTION
BOX

F3
7.5A

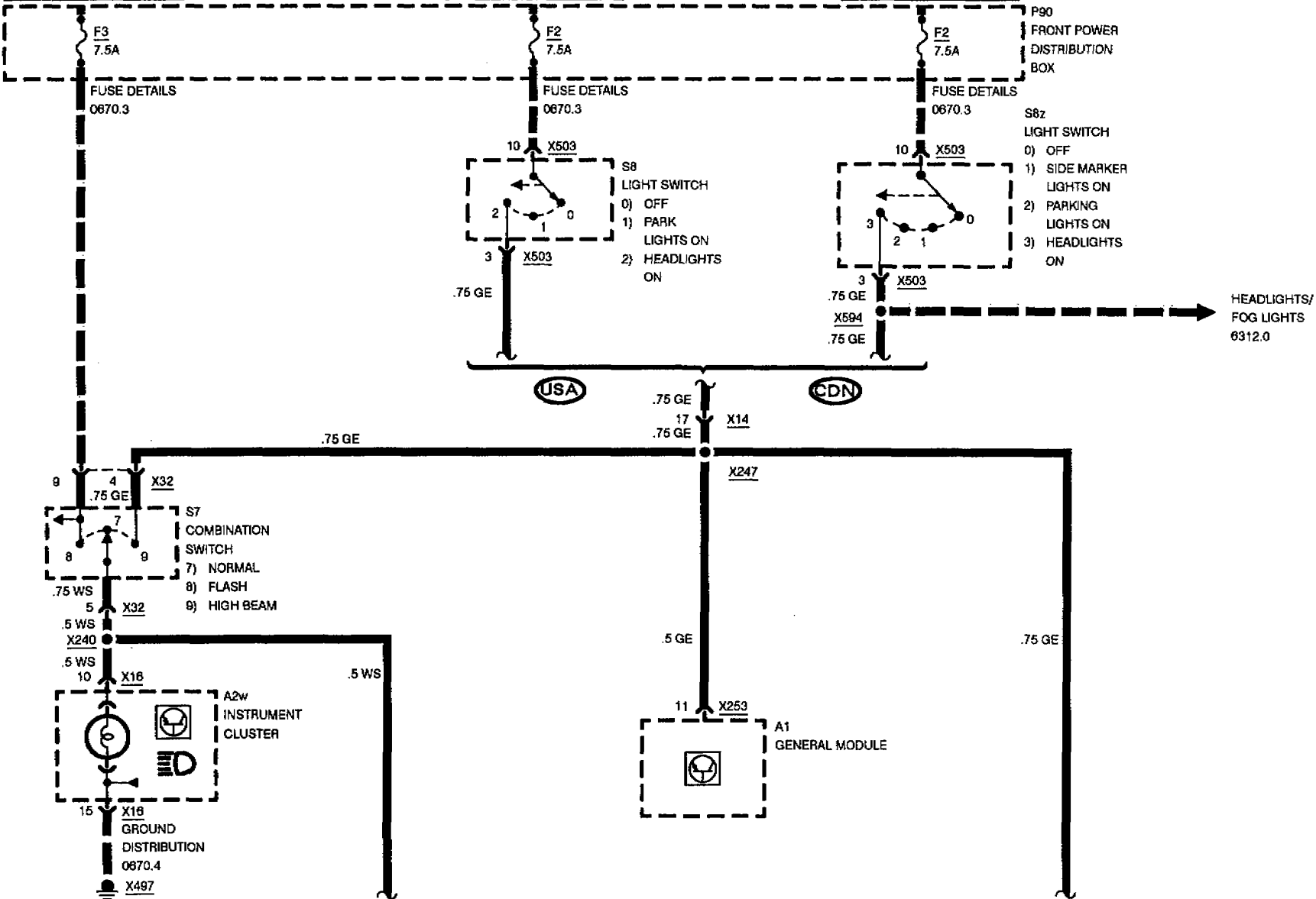
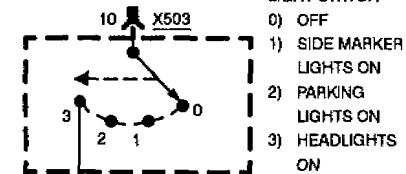
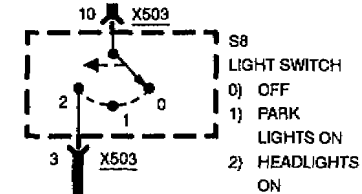
F2
7.5A

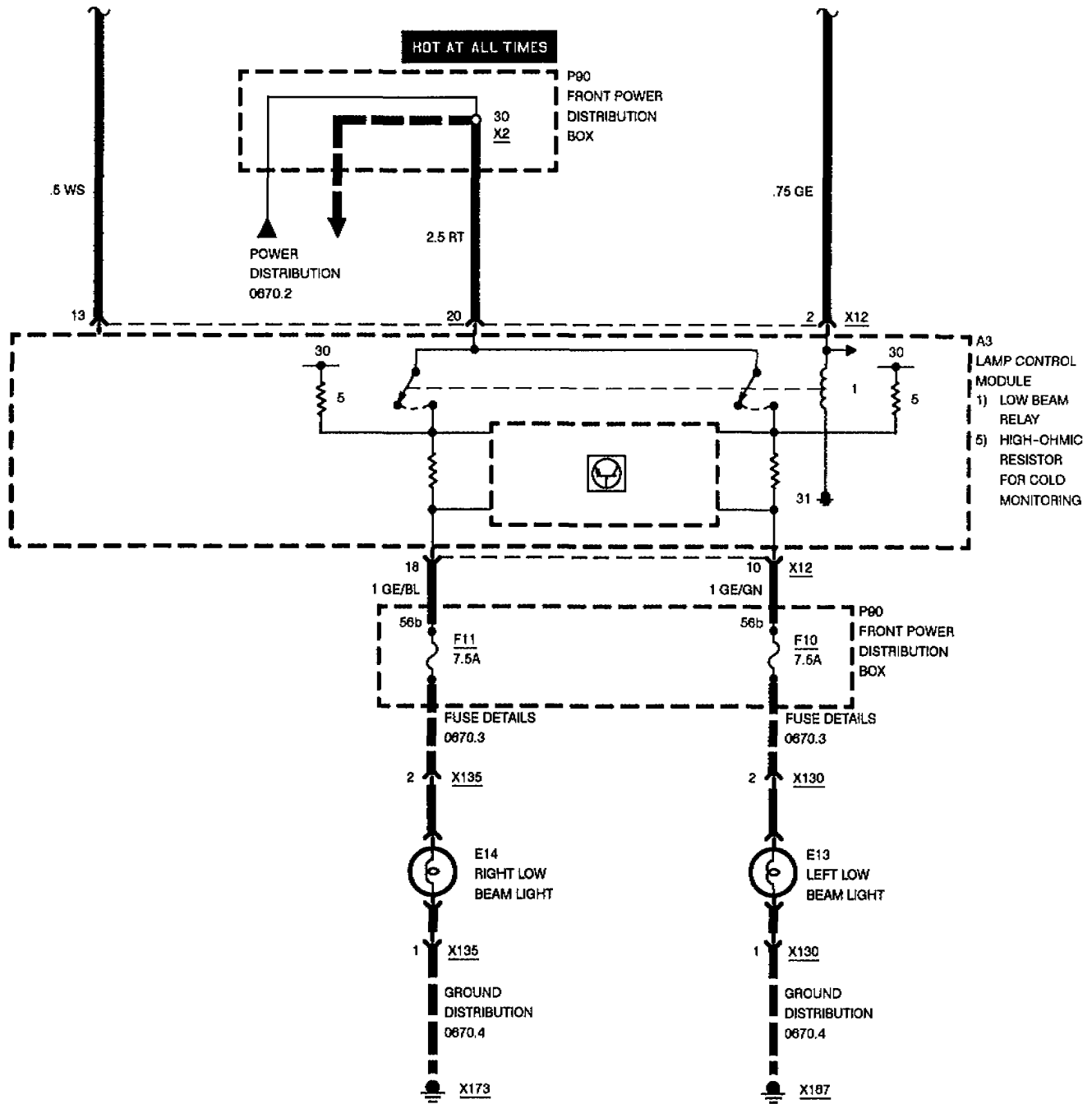
F2
7.5A

FUSE DETAILS
0670.3

FUSE DETAILS
0670.3

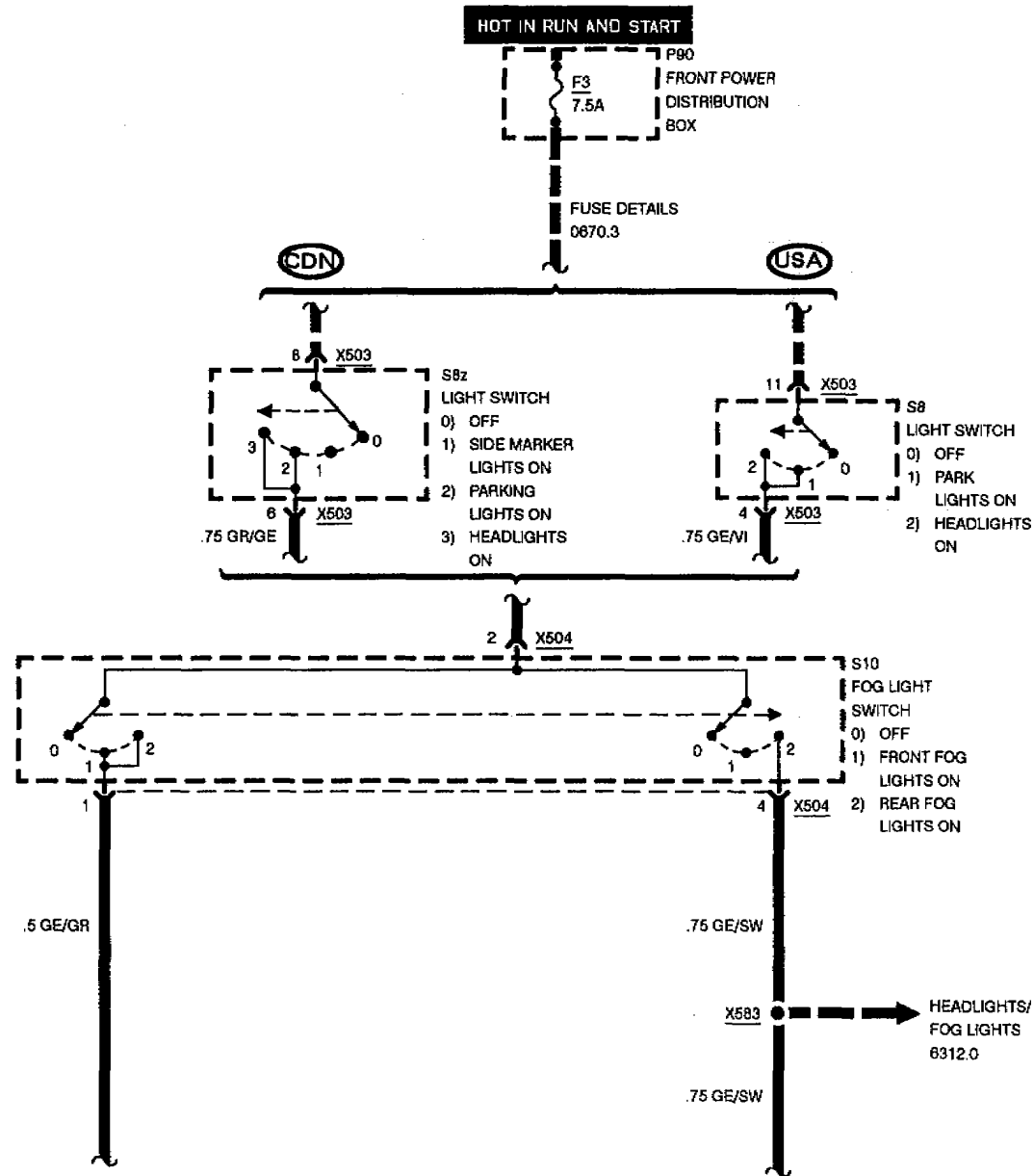
FUSE DETAILS
0670.3

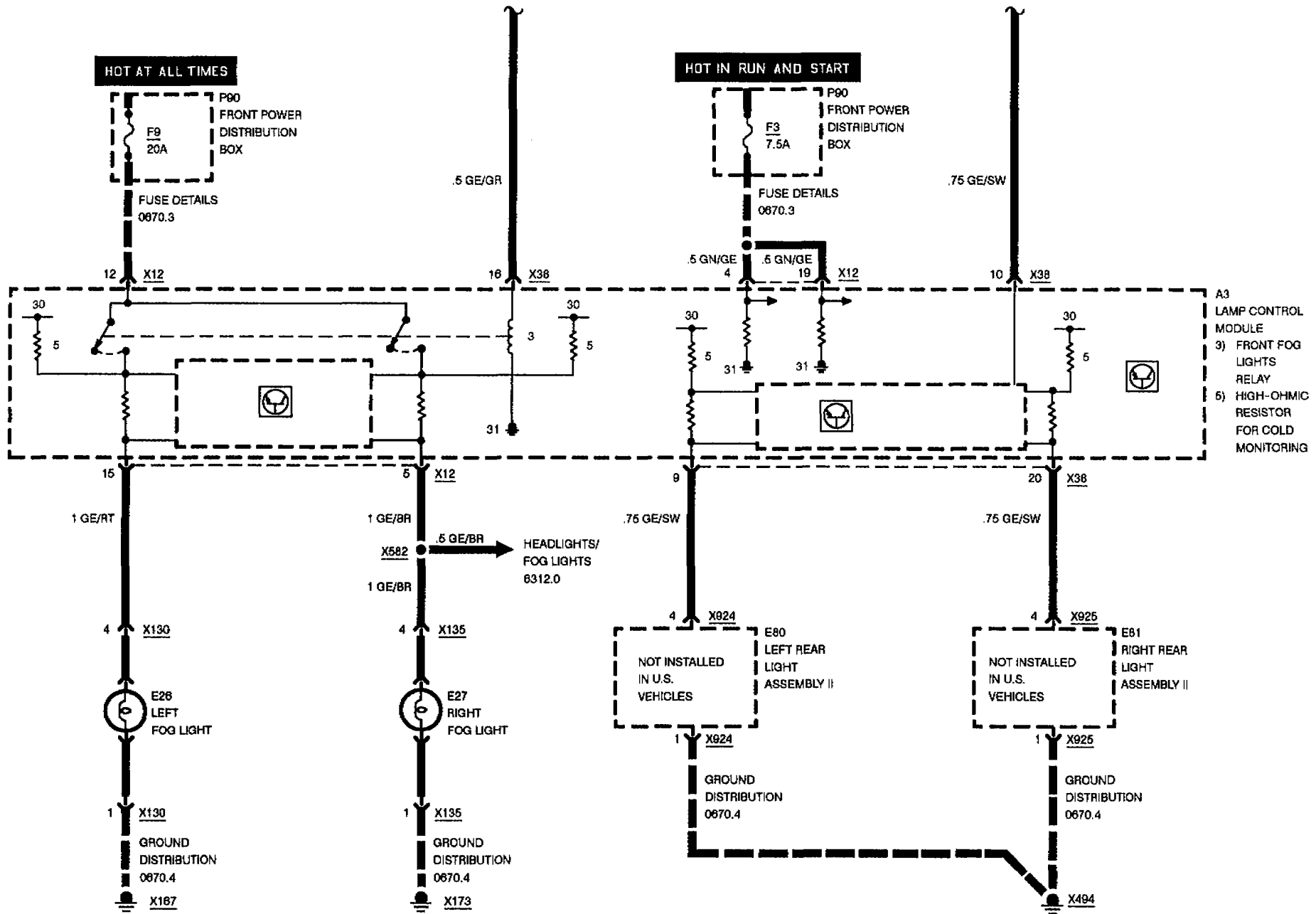




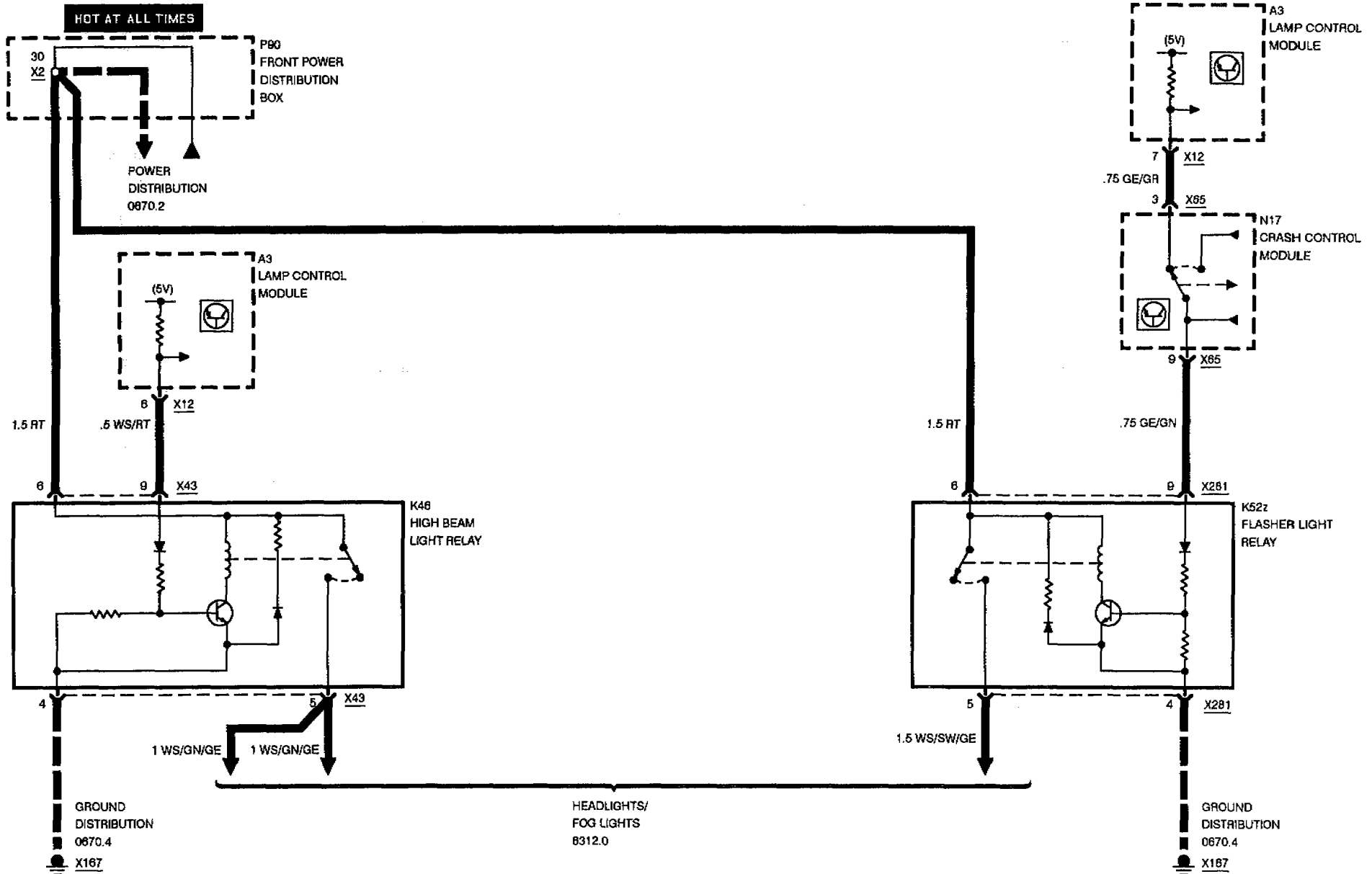


LAMP MONITOR (LKM) FRONT FOG LIGHTS

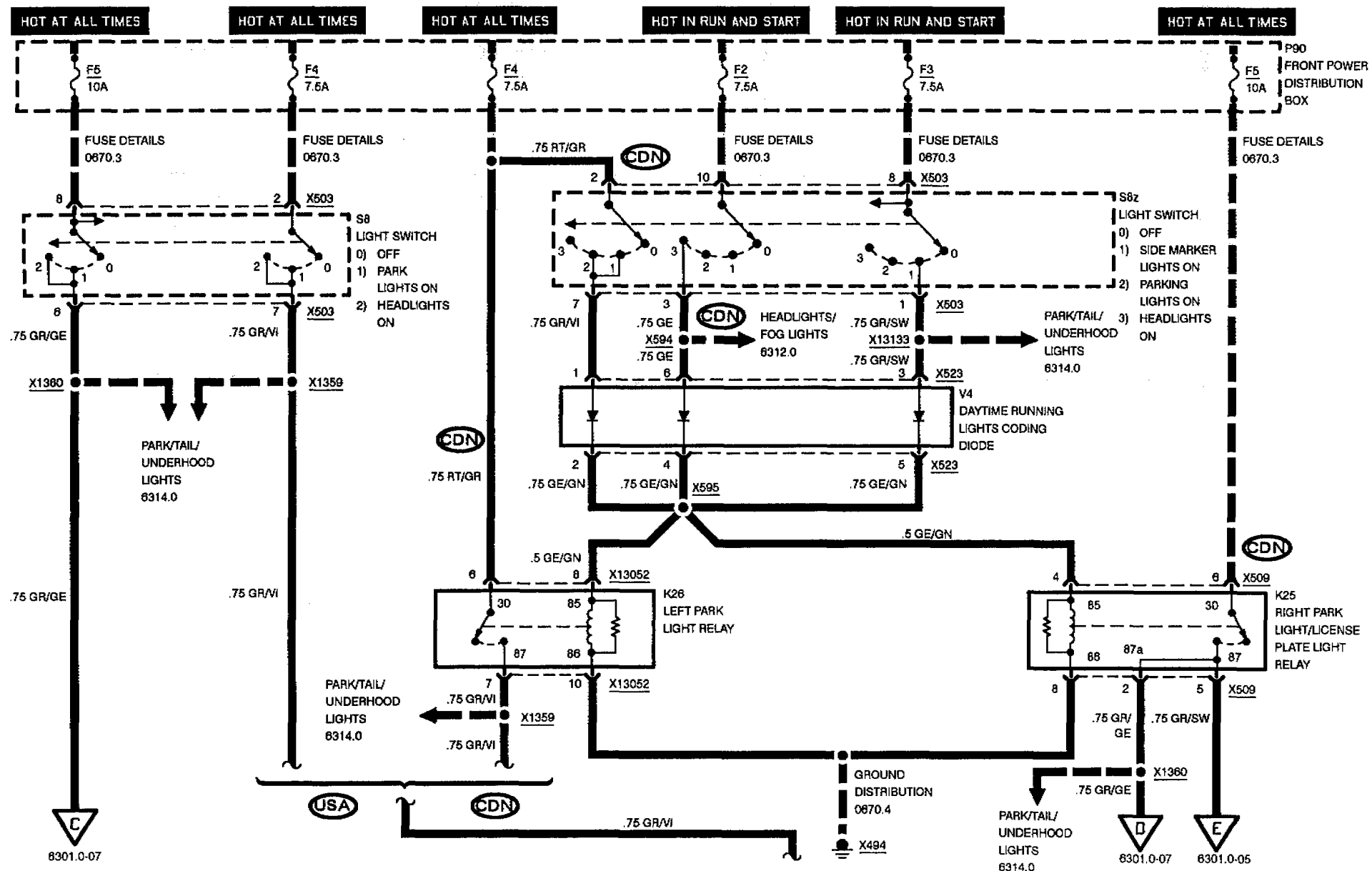


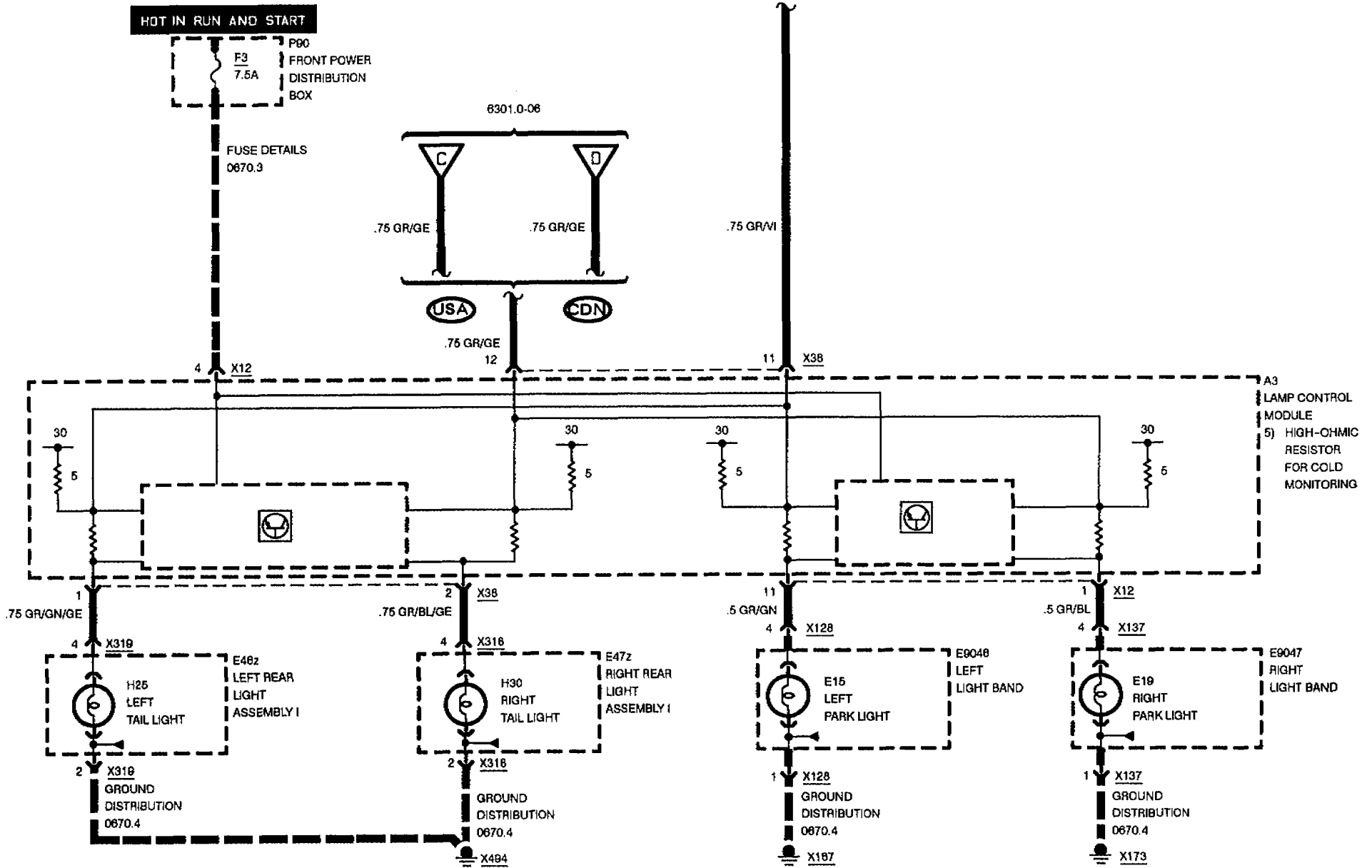


LAMP MONITOR (LKM)

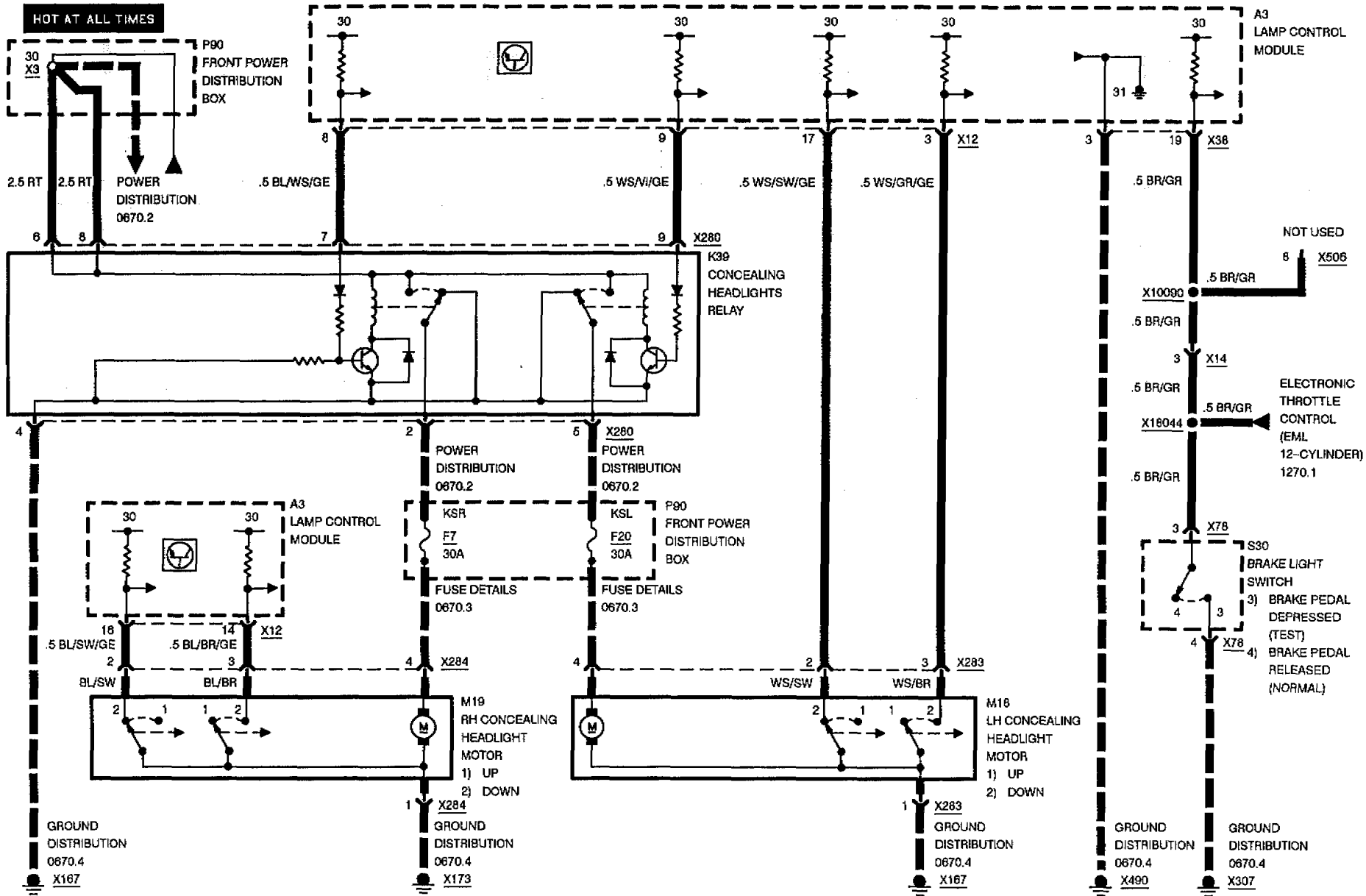


BMW **8** **LAMP MONITOR (LKM)**
PARKING LIGHTS



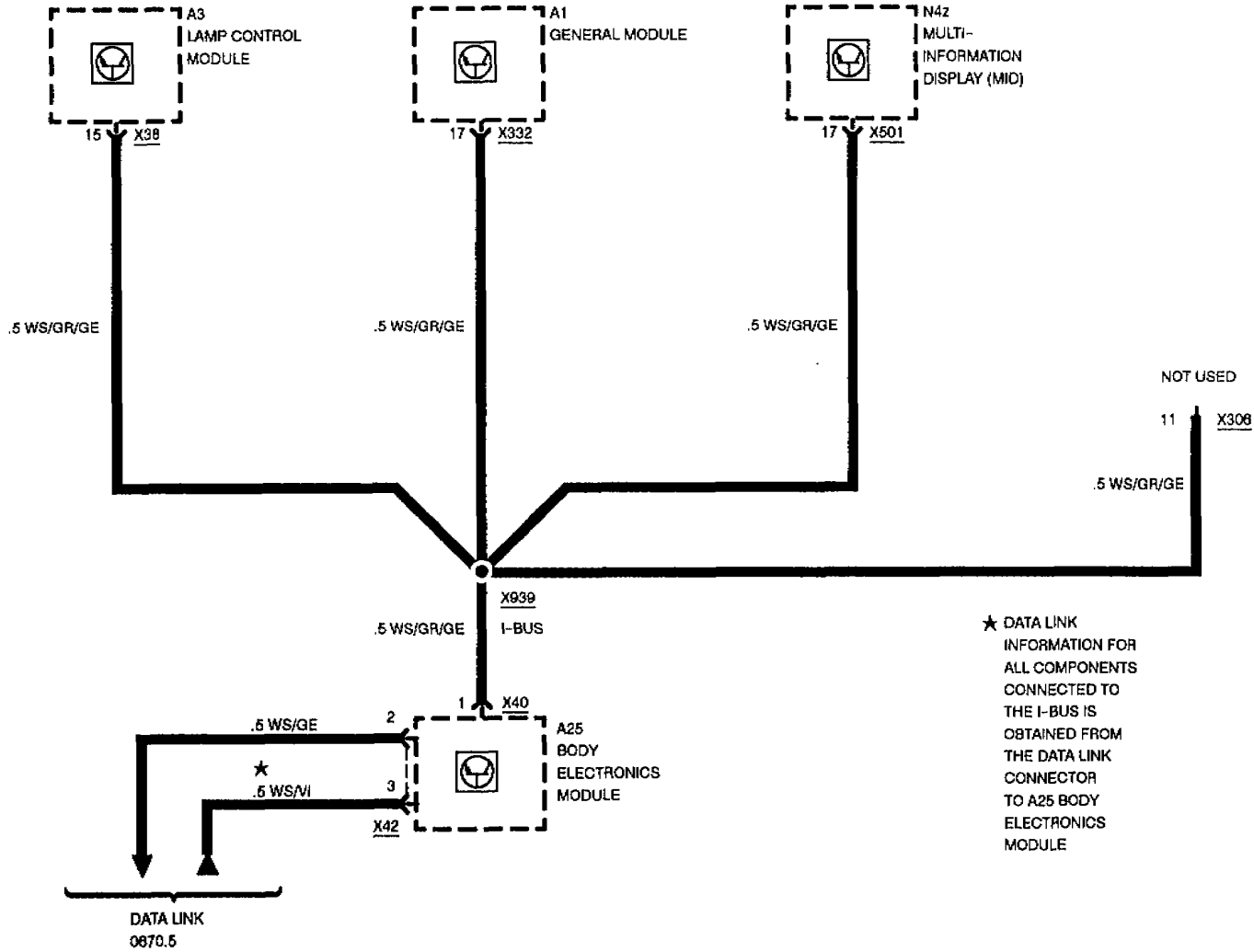


LAMP MONITOR (LKM)

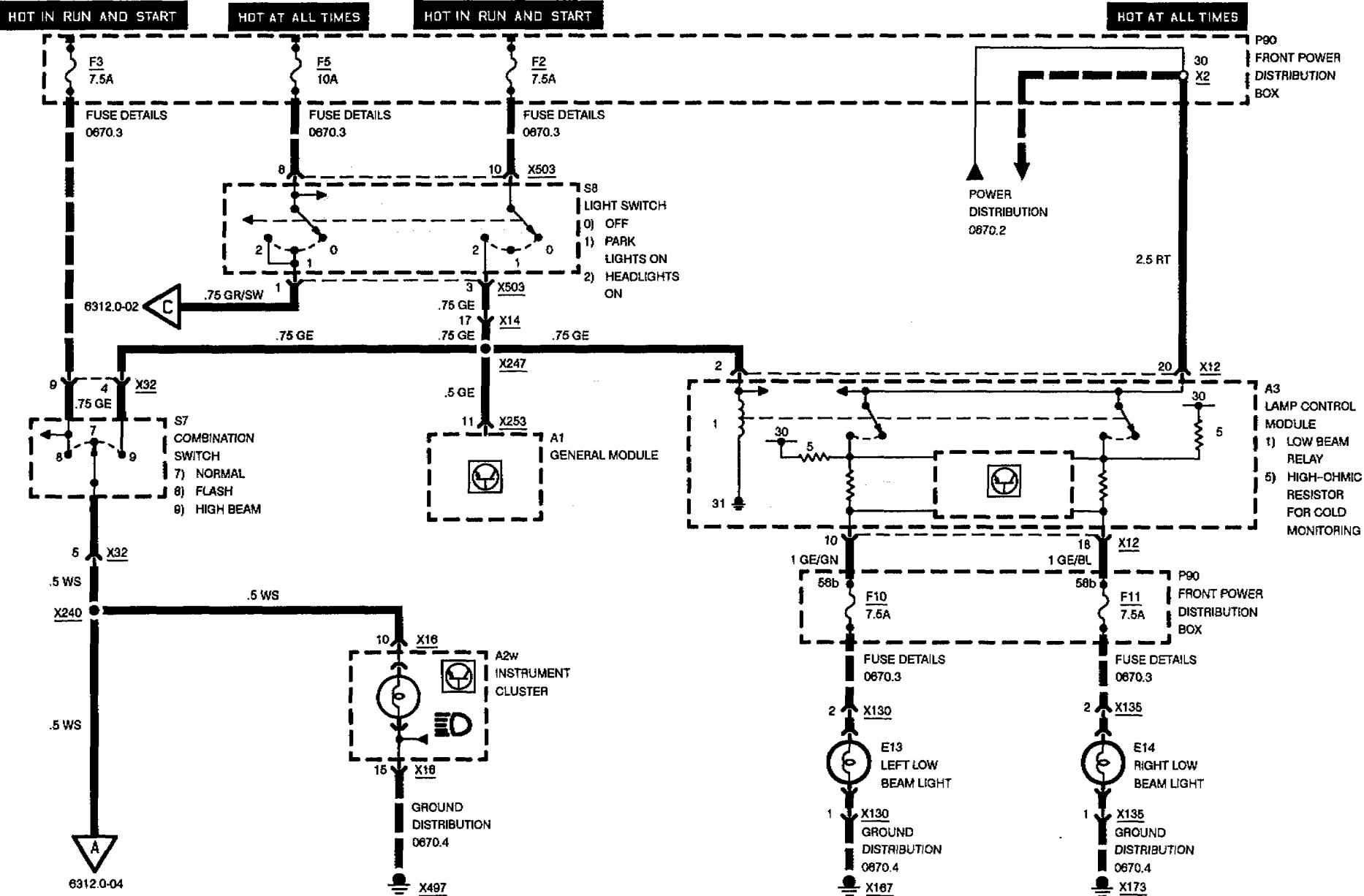




LAMP MONITOR (LKM) INSTRUMENTATION BUS (I-BUS)



HEADLIGHTS



6312.0-04

X497

X167

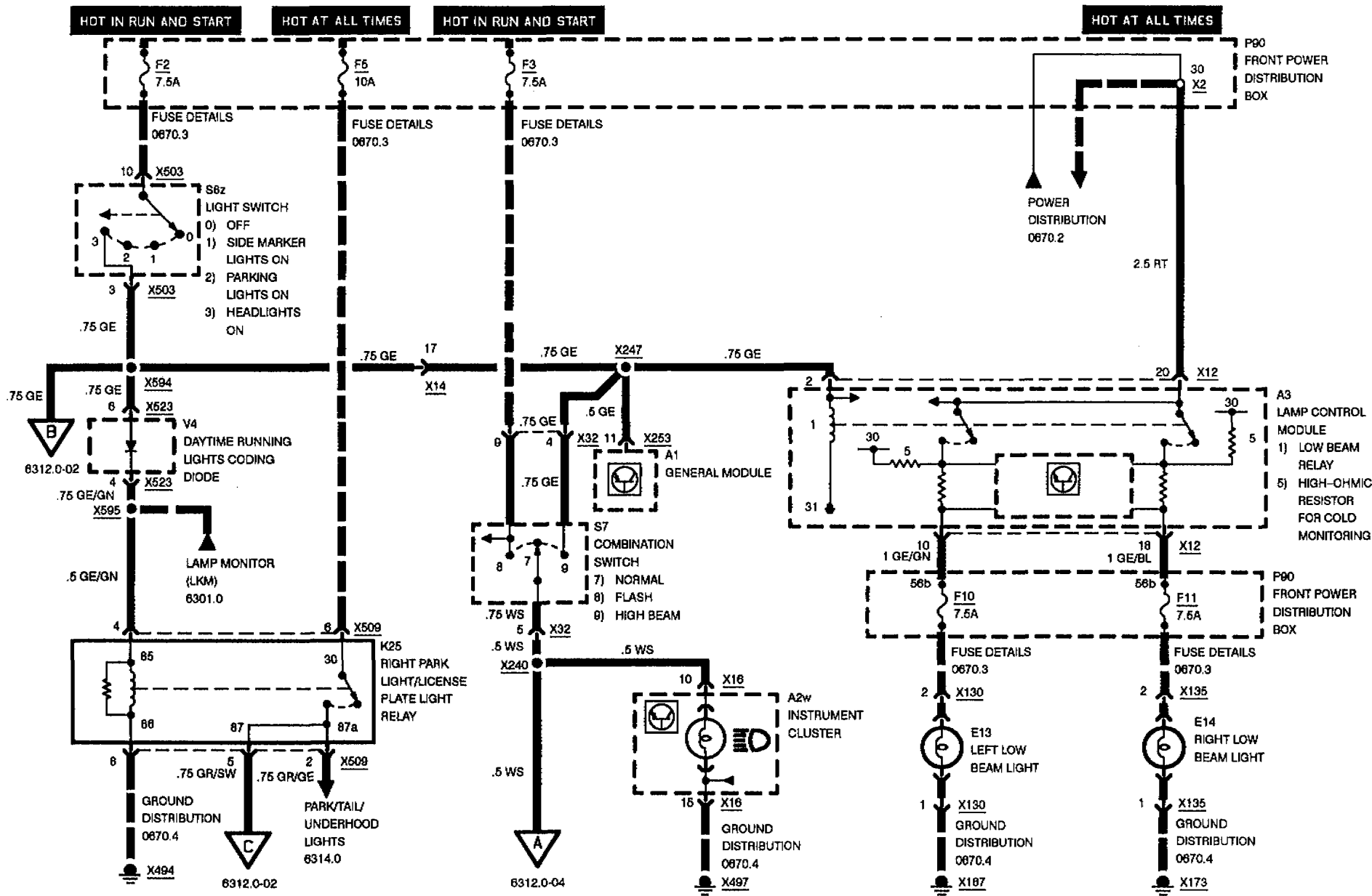
X173

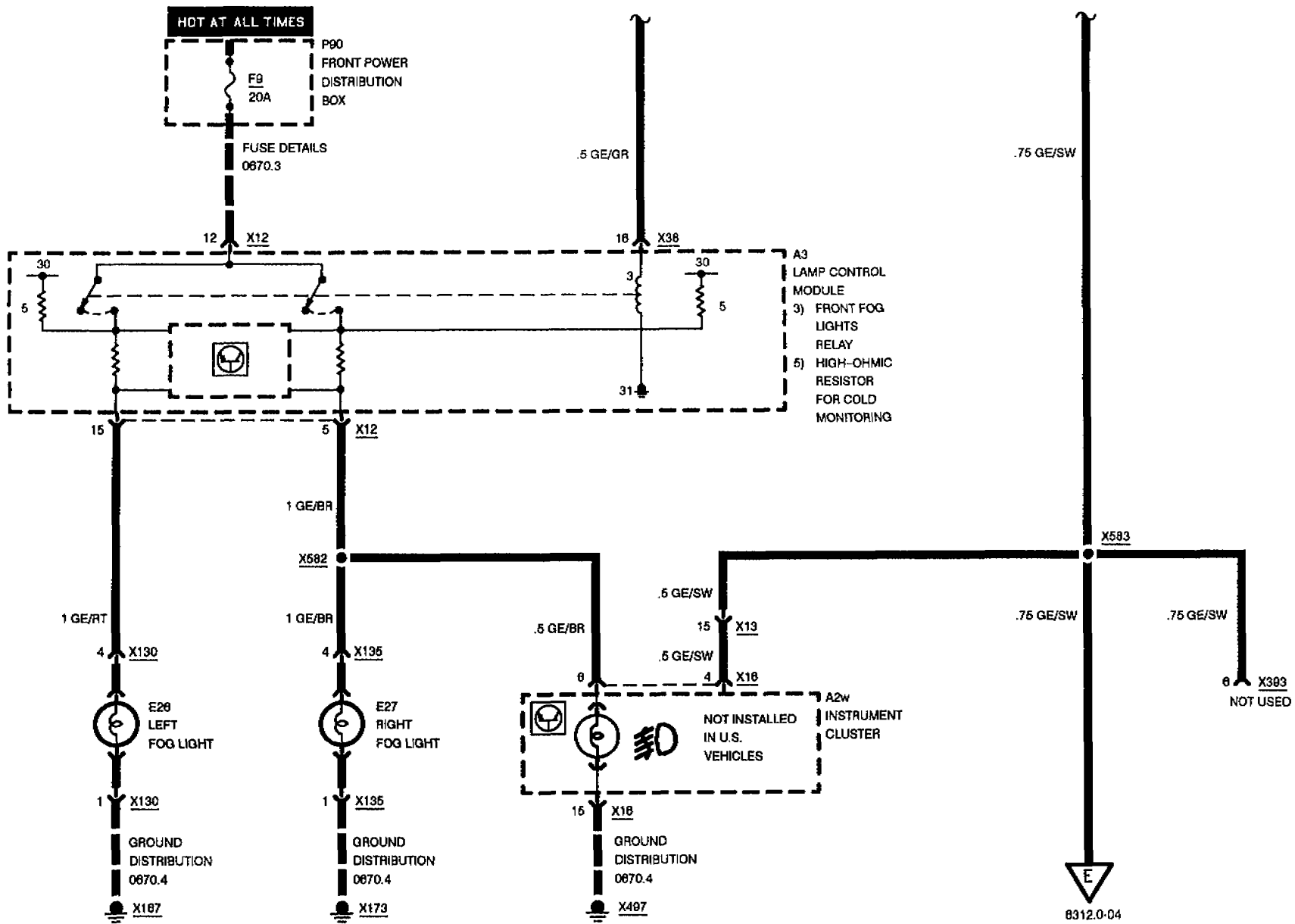


HEADLIGHTS/ FOG LIGHTS



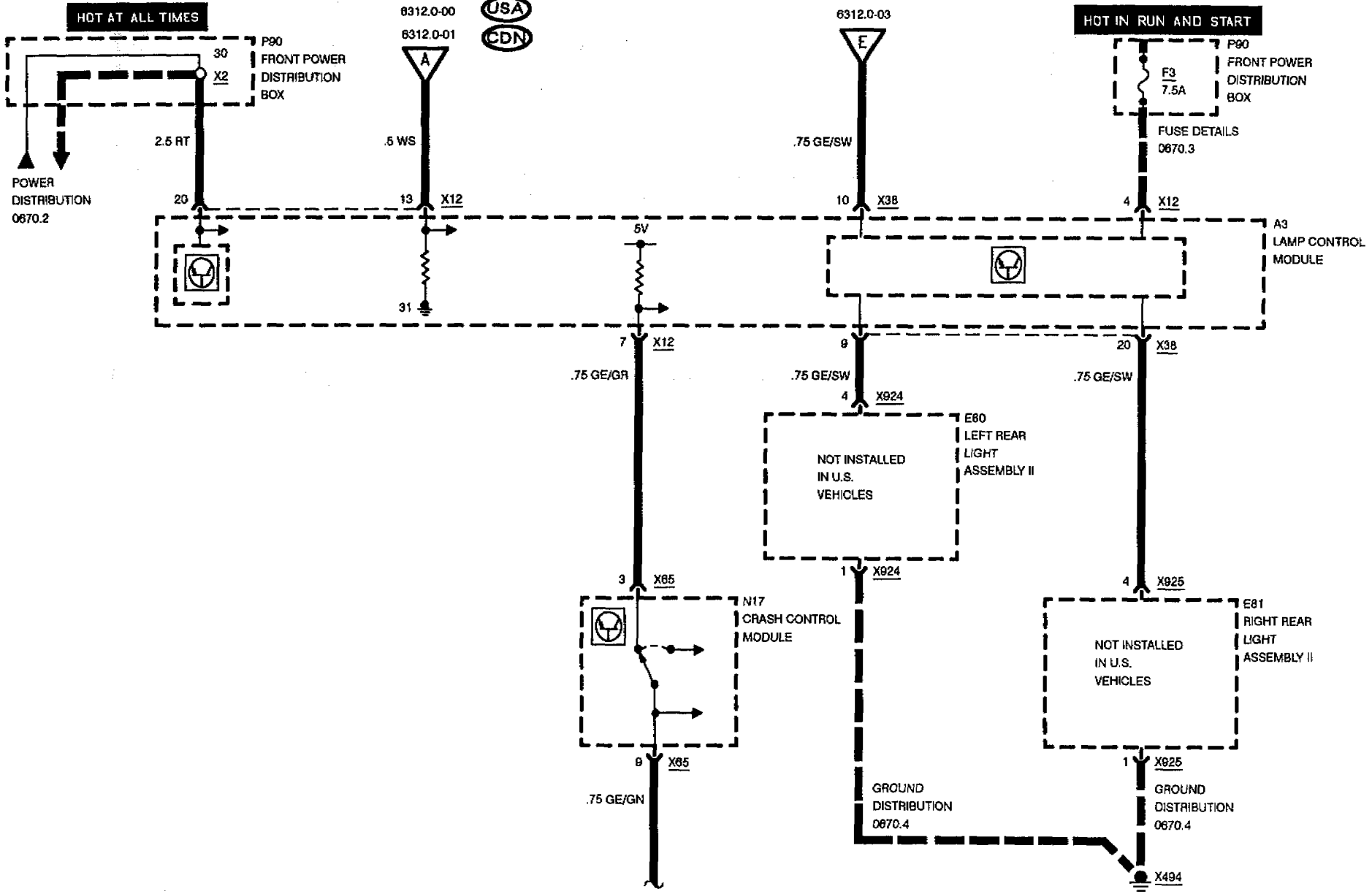
HEADLIGHTS

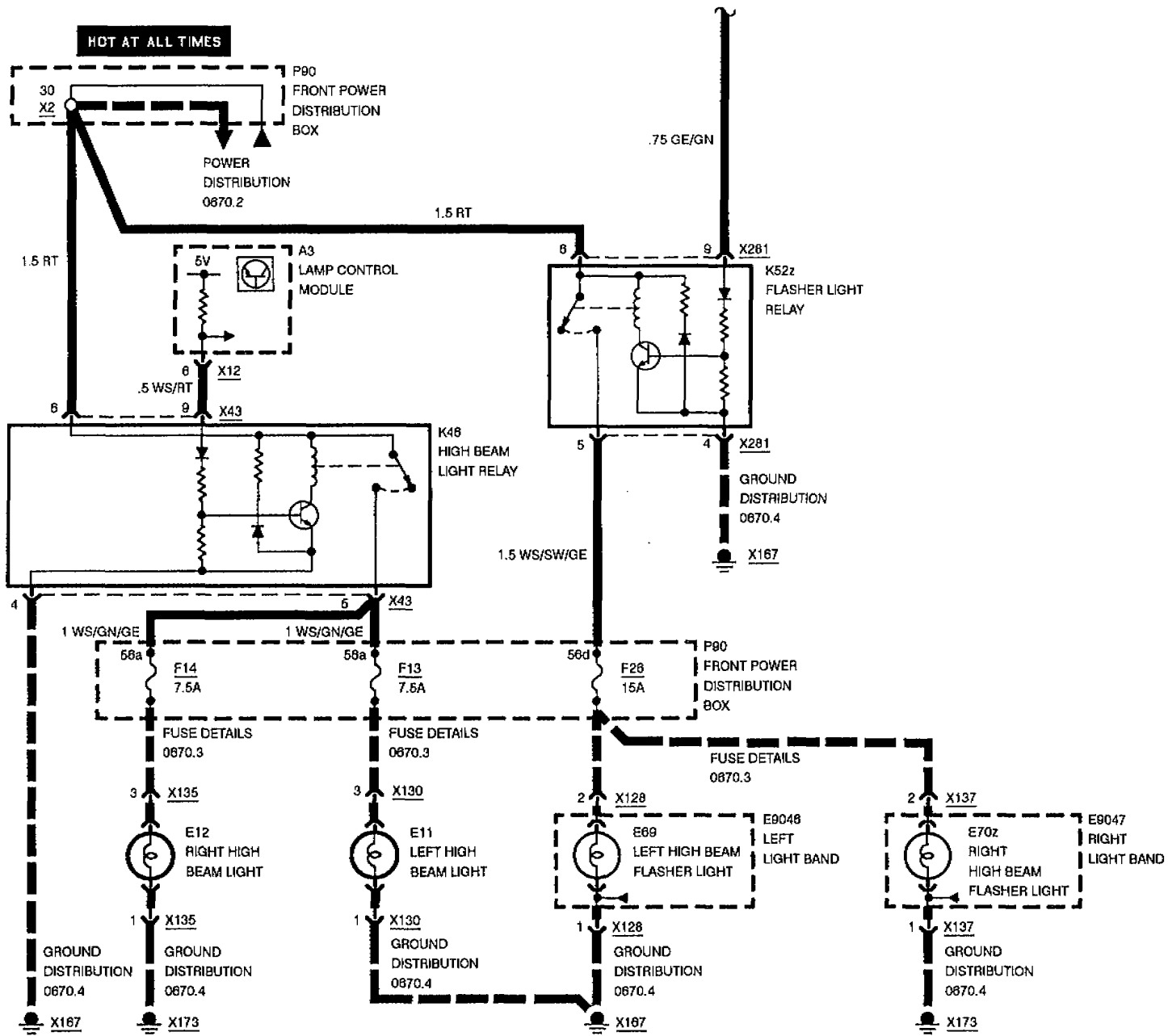






HEADLIGHTS/ FOG LIGHTS HIGH BEAM LIGHTS, FLASHER LIGHTS

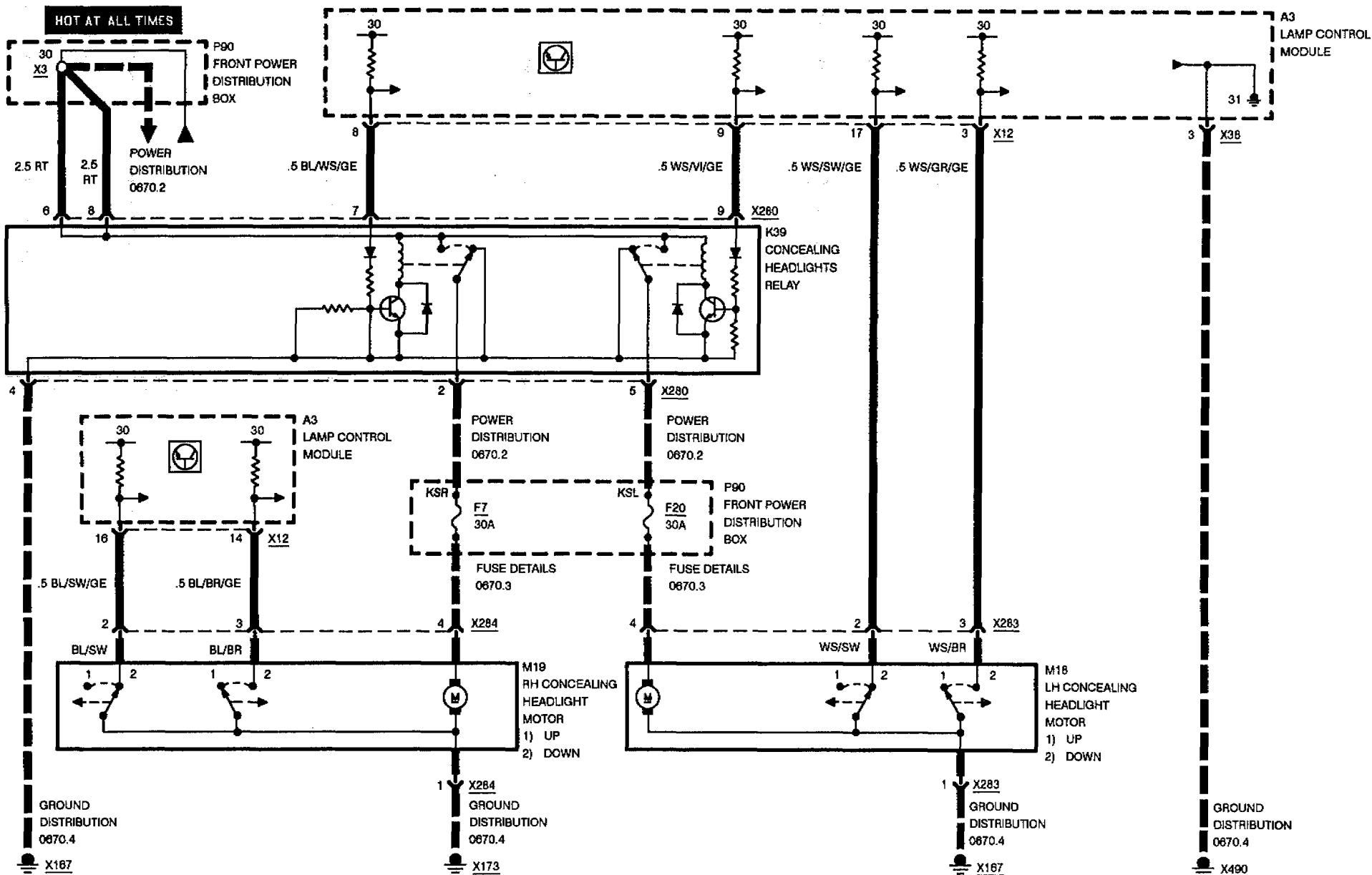






HEADLIGHTS/ FOG LIGHTS

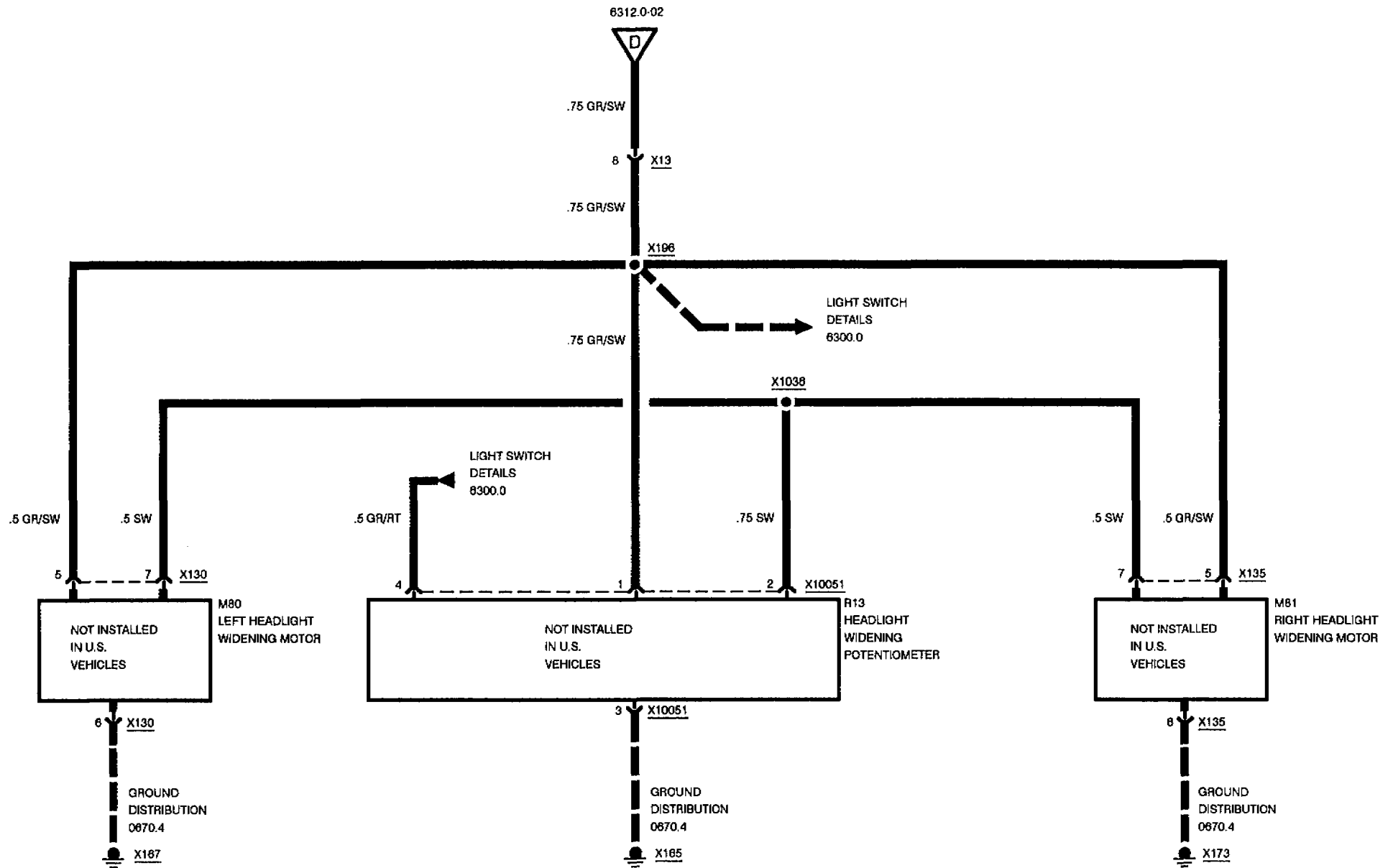
M60 HARNESS



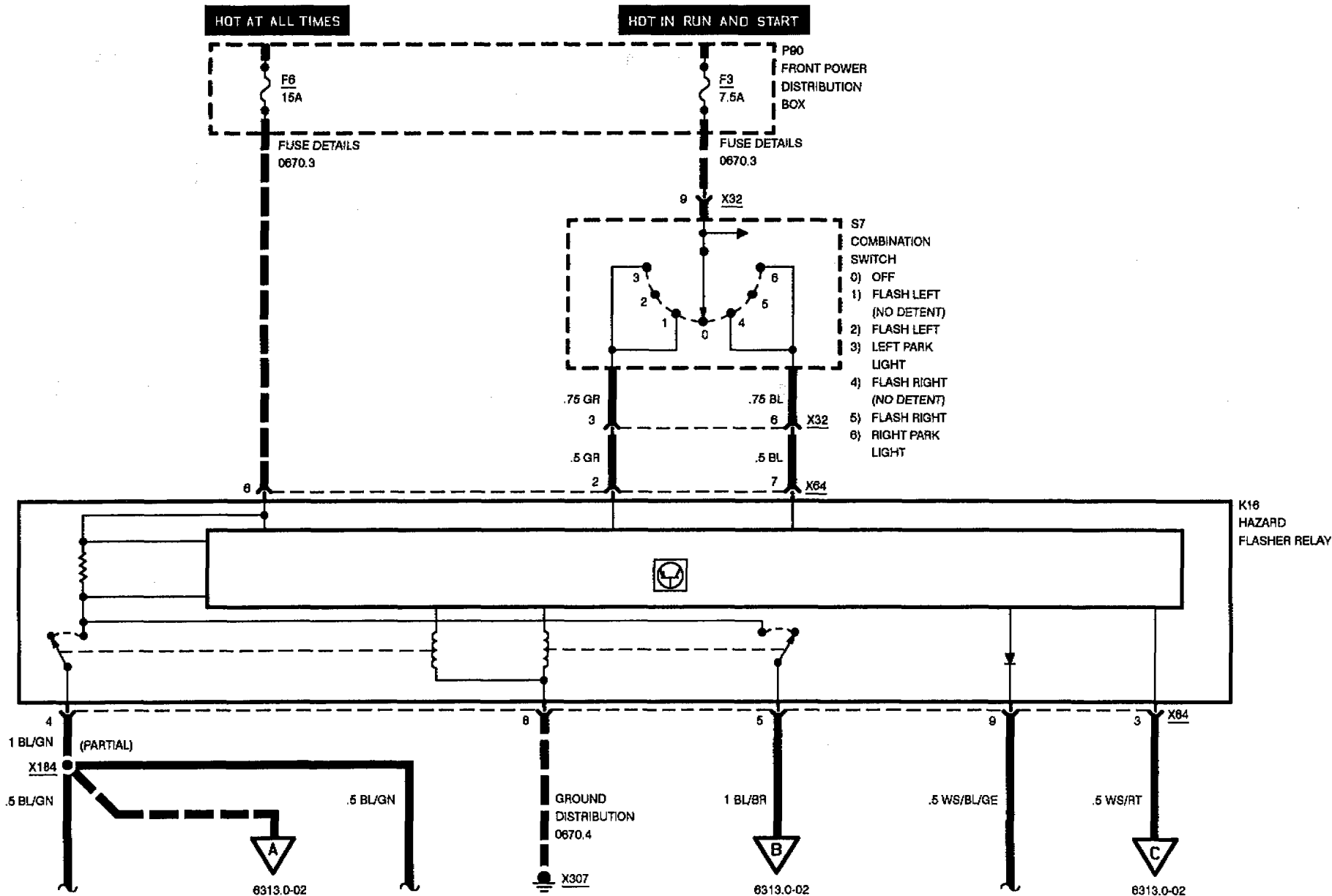


HEADLIGHTS/ FOG LIGHTS

HEADLIGHT BEAM ANGLE ADJUST

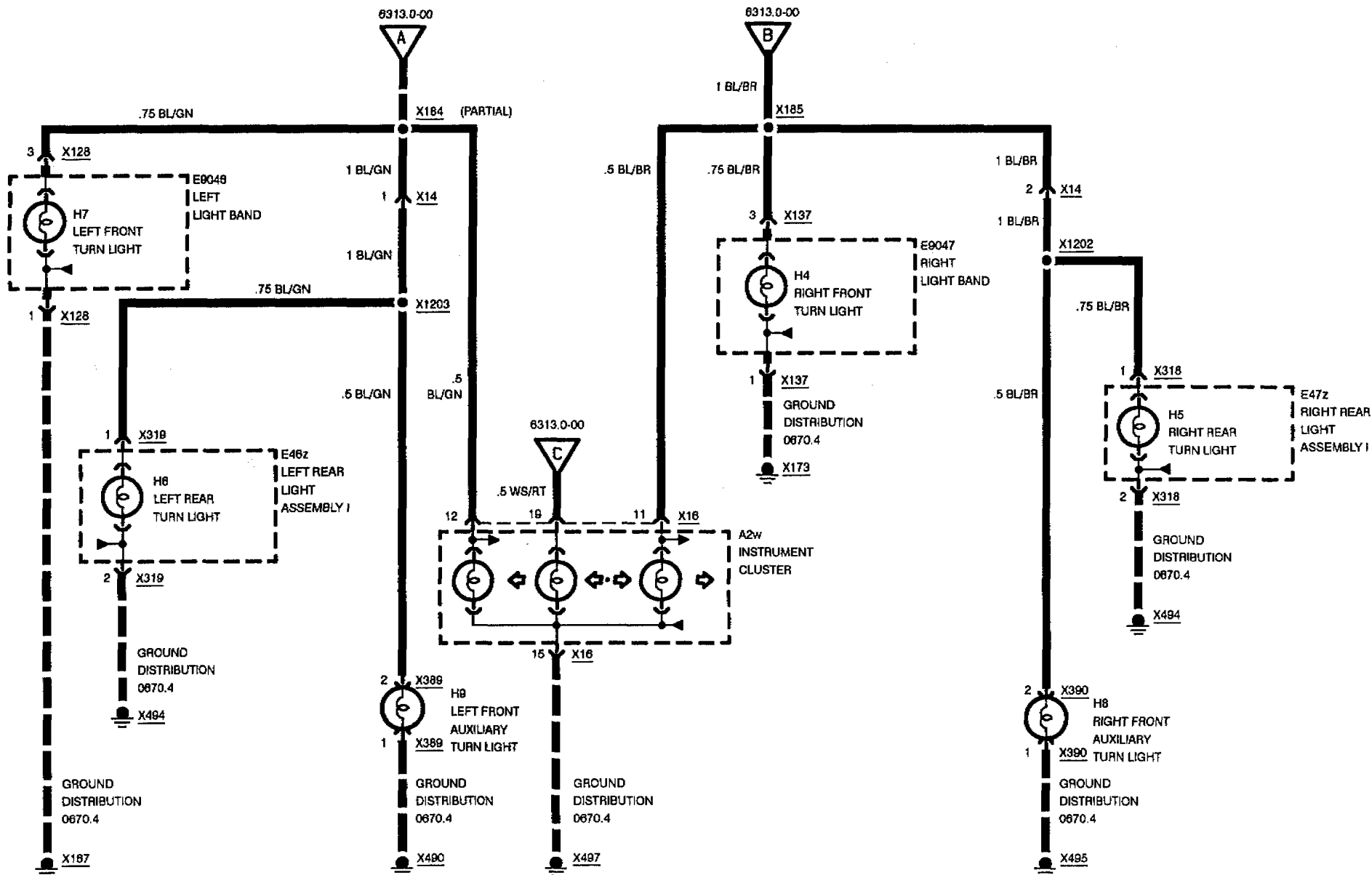


TURN/HAZARD LIGHTS





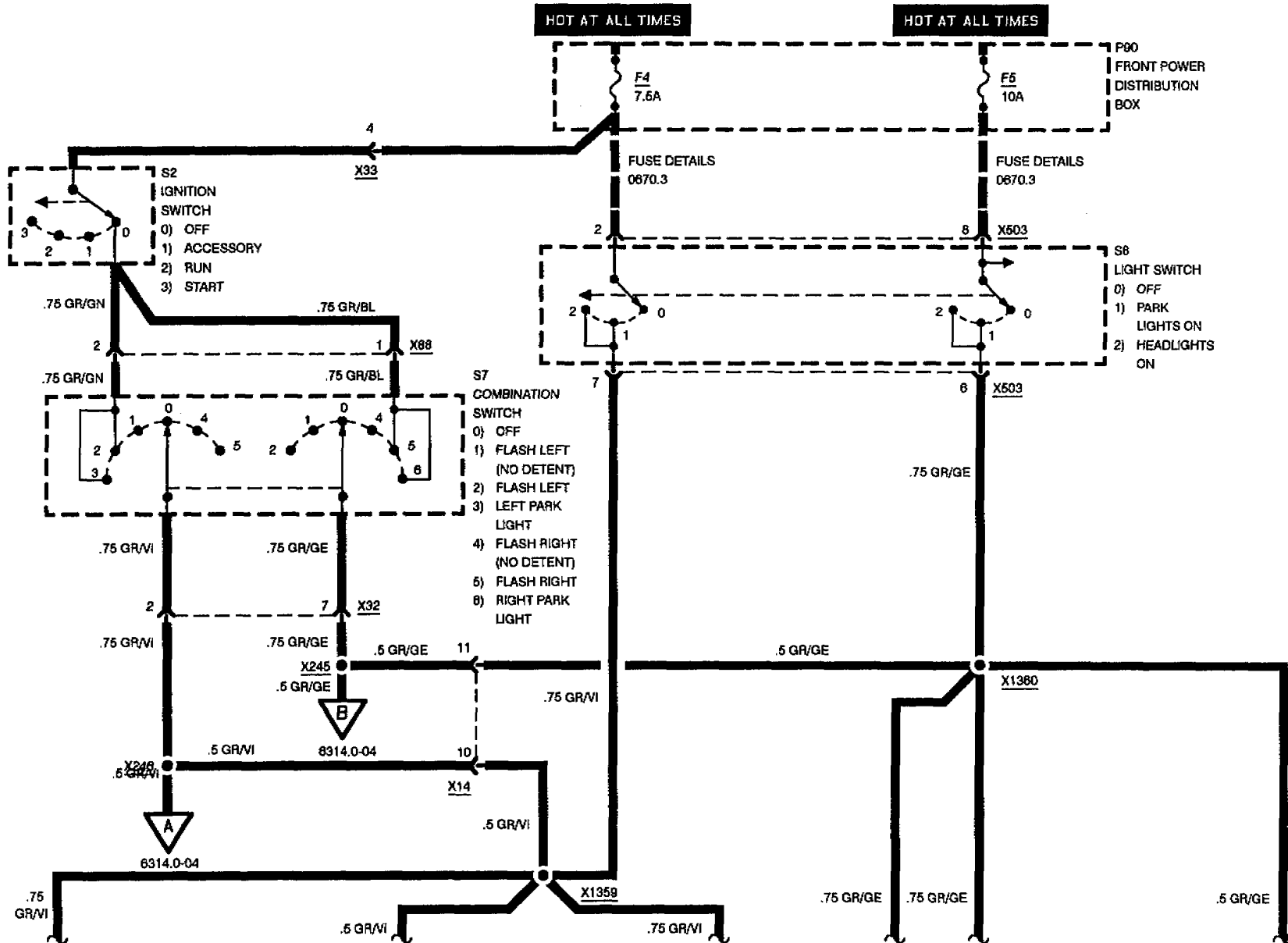
TURN/HAZARD LIGHTS

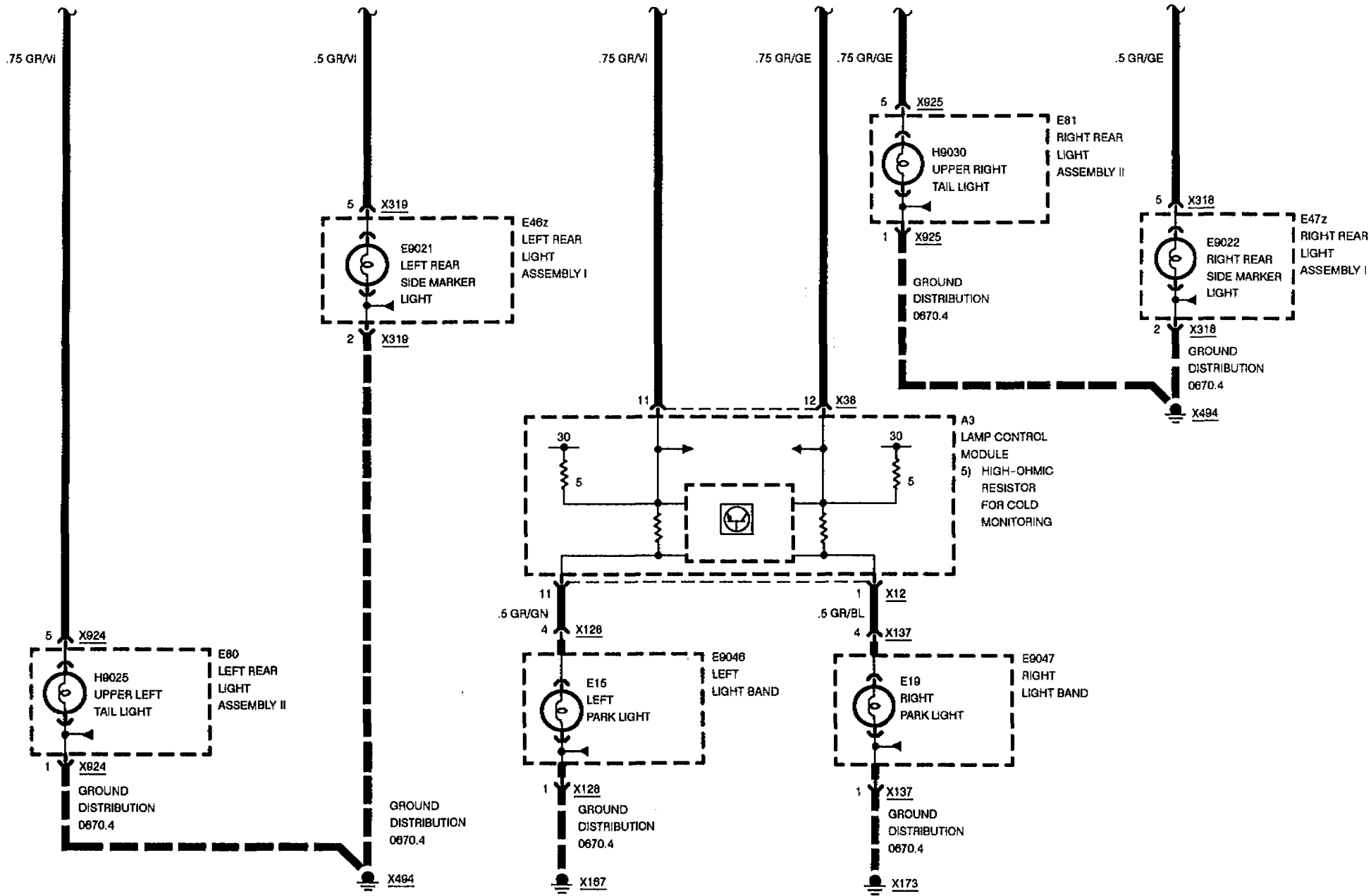






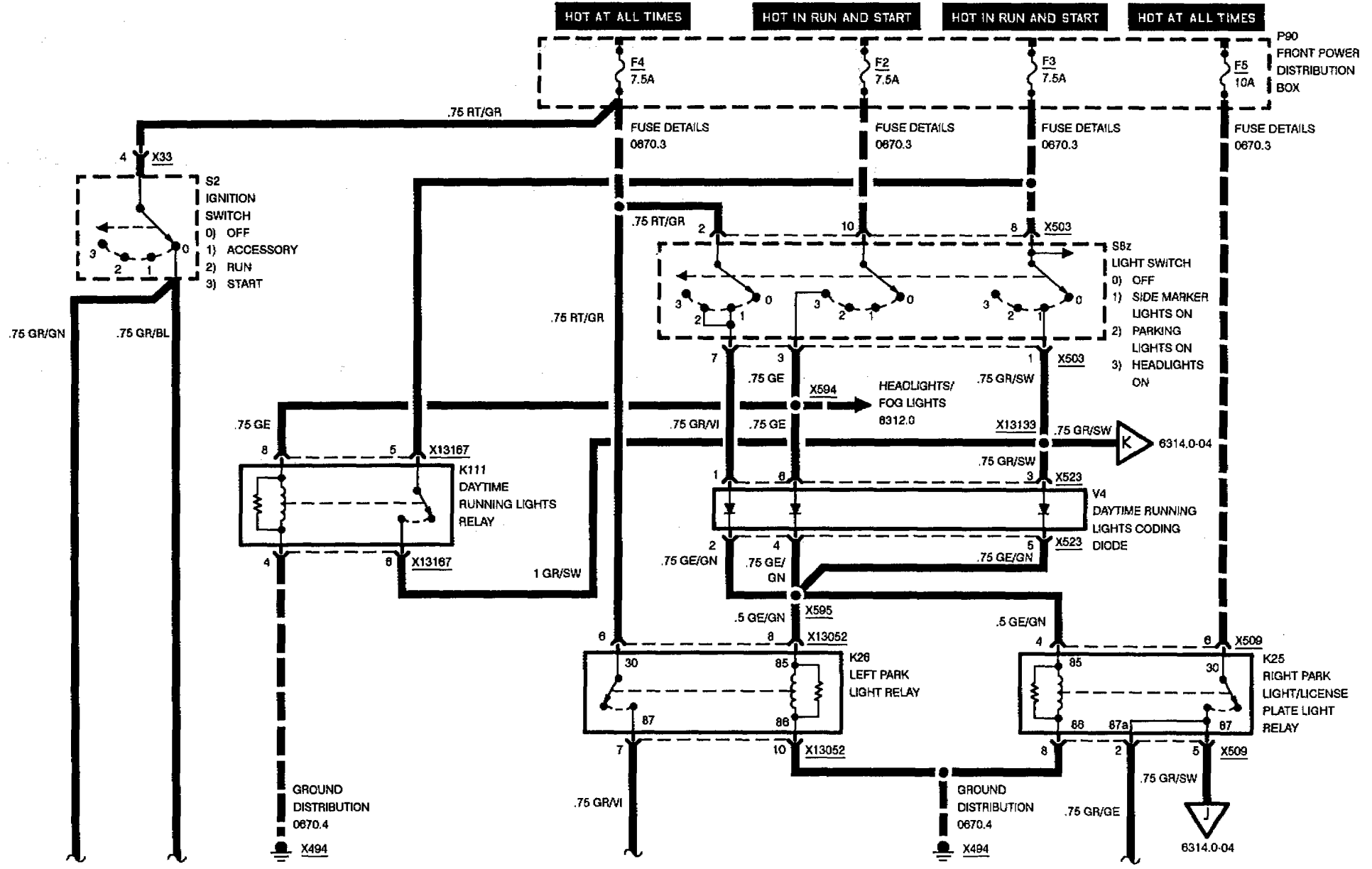
PARK/TAIL/ UNDERHOOD LIGHTS







PARK/TAIL/ UNDERHOOD LIGHTS

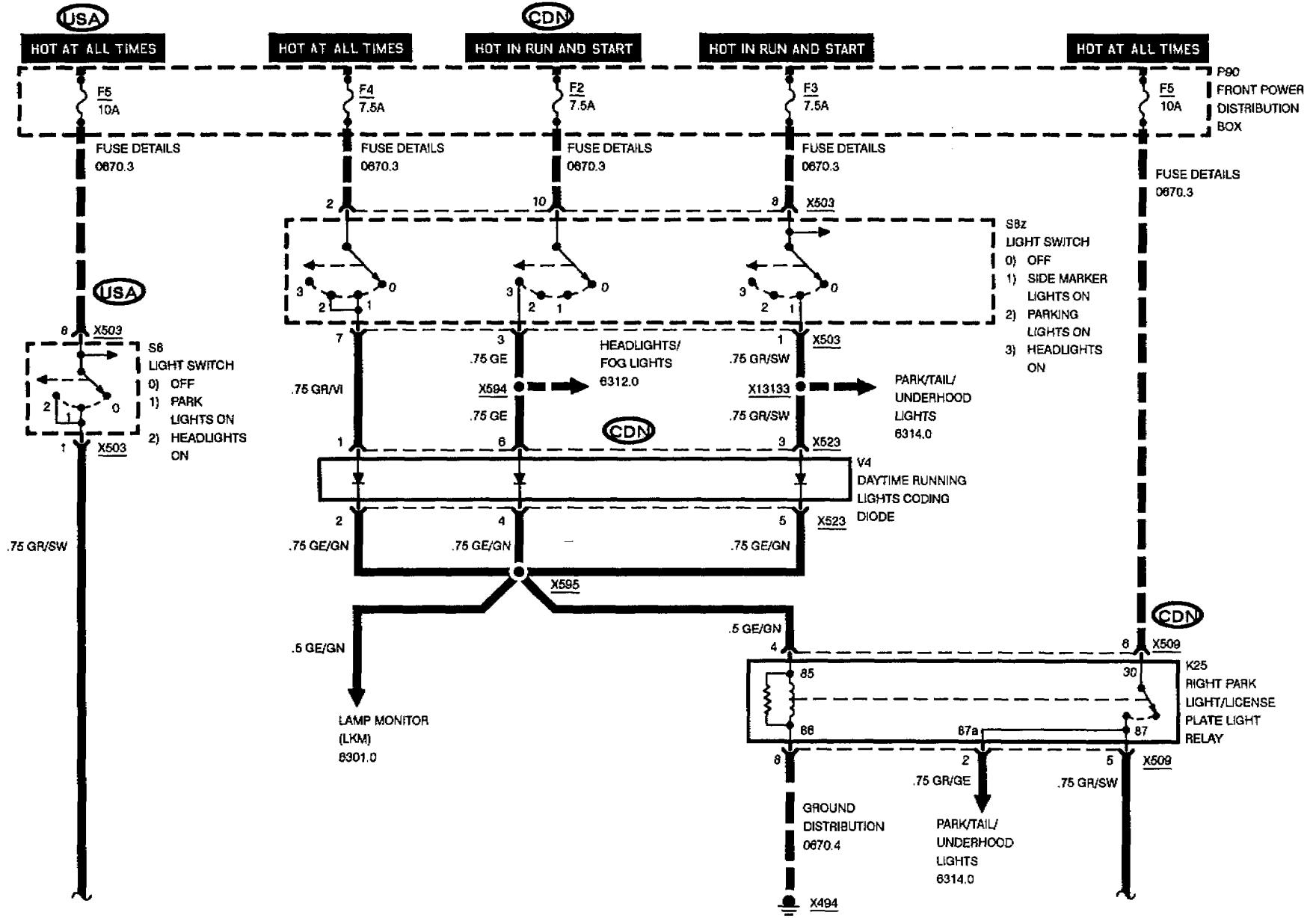


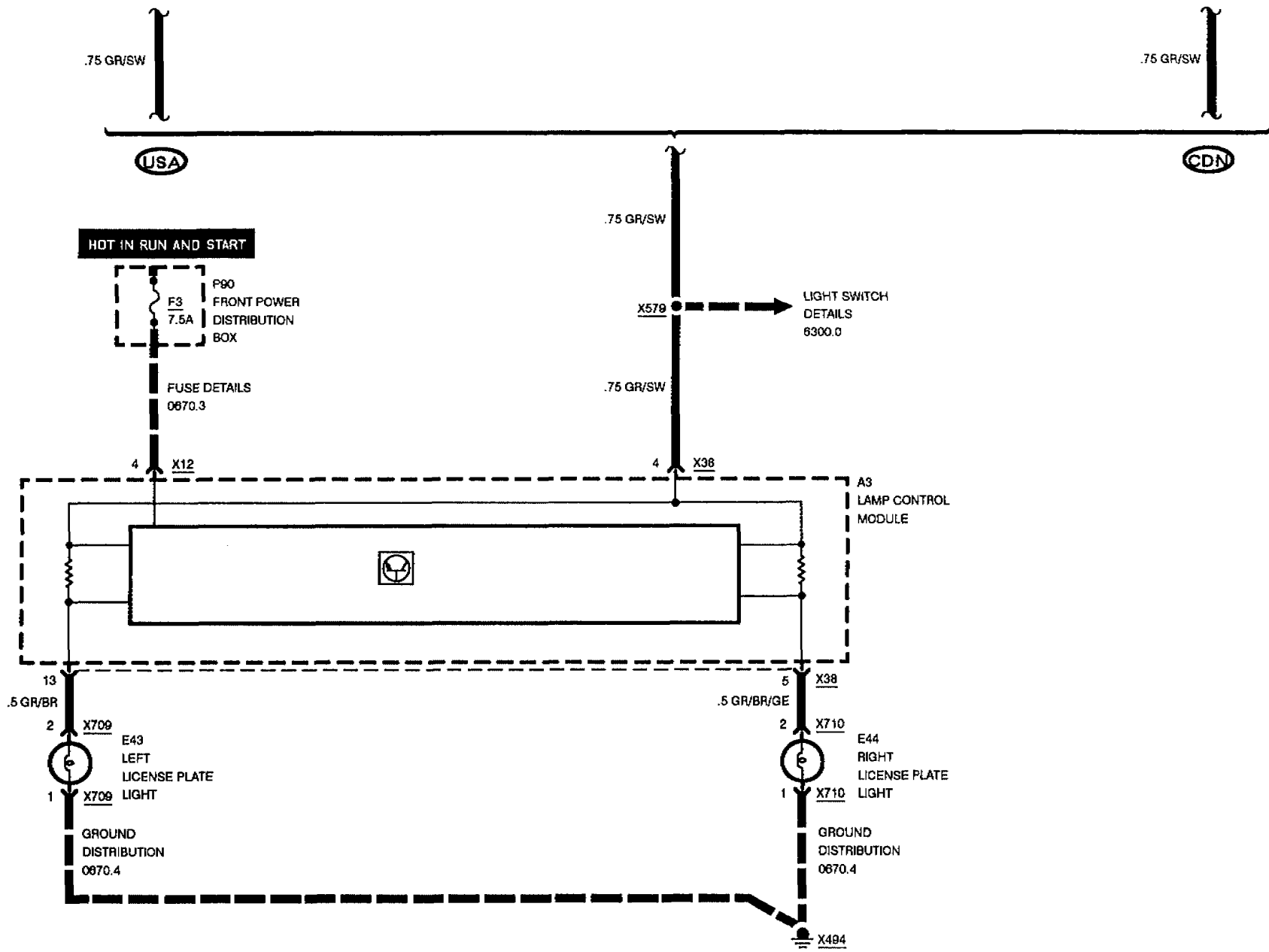




LICENSE PLATE/ LUGGAGE COMPARTMENT LIGHTS

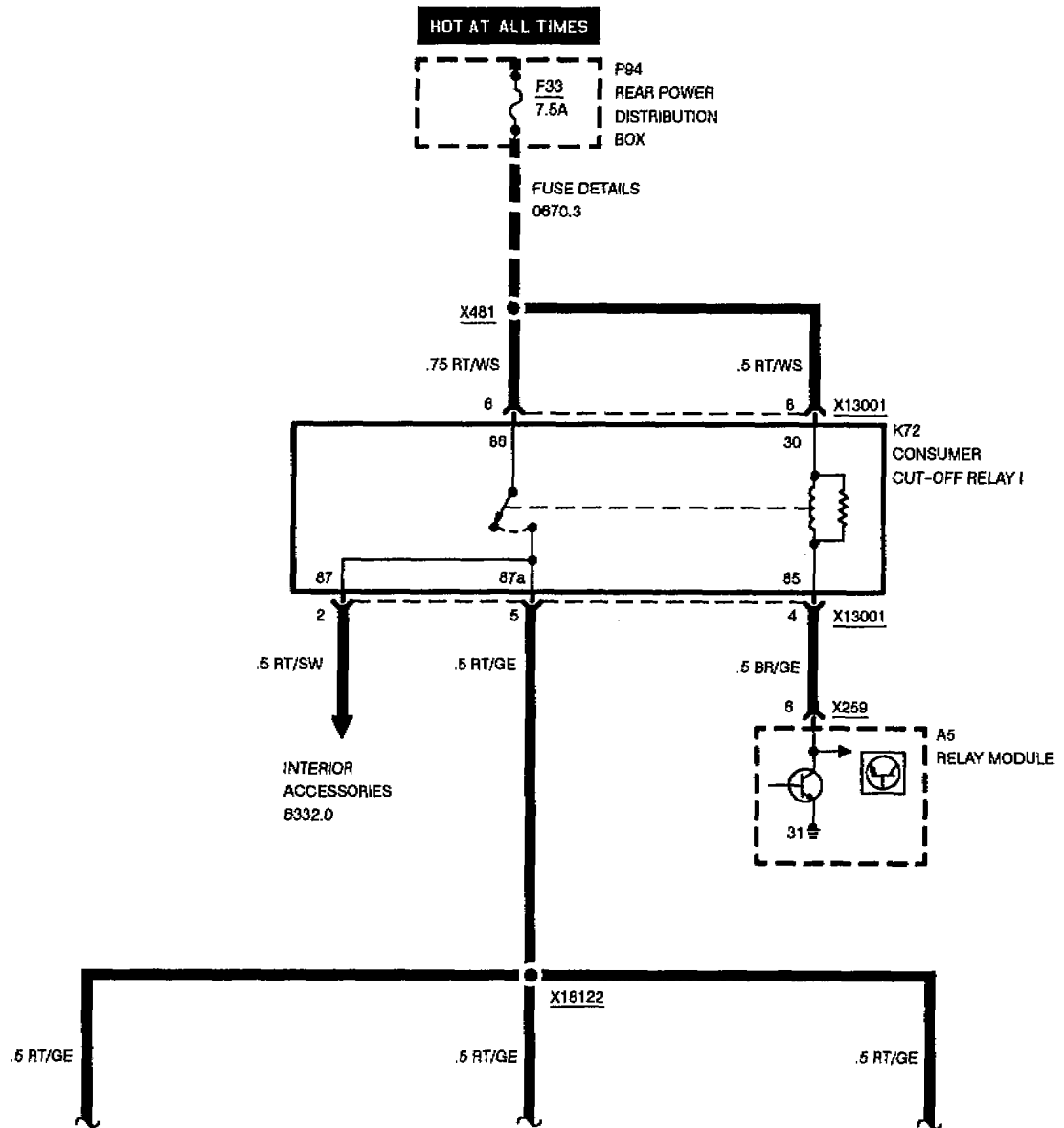
LICENSE PLATE LIGHTS

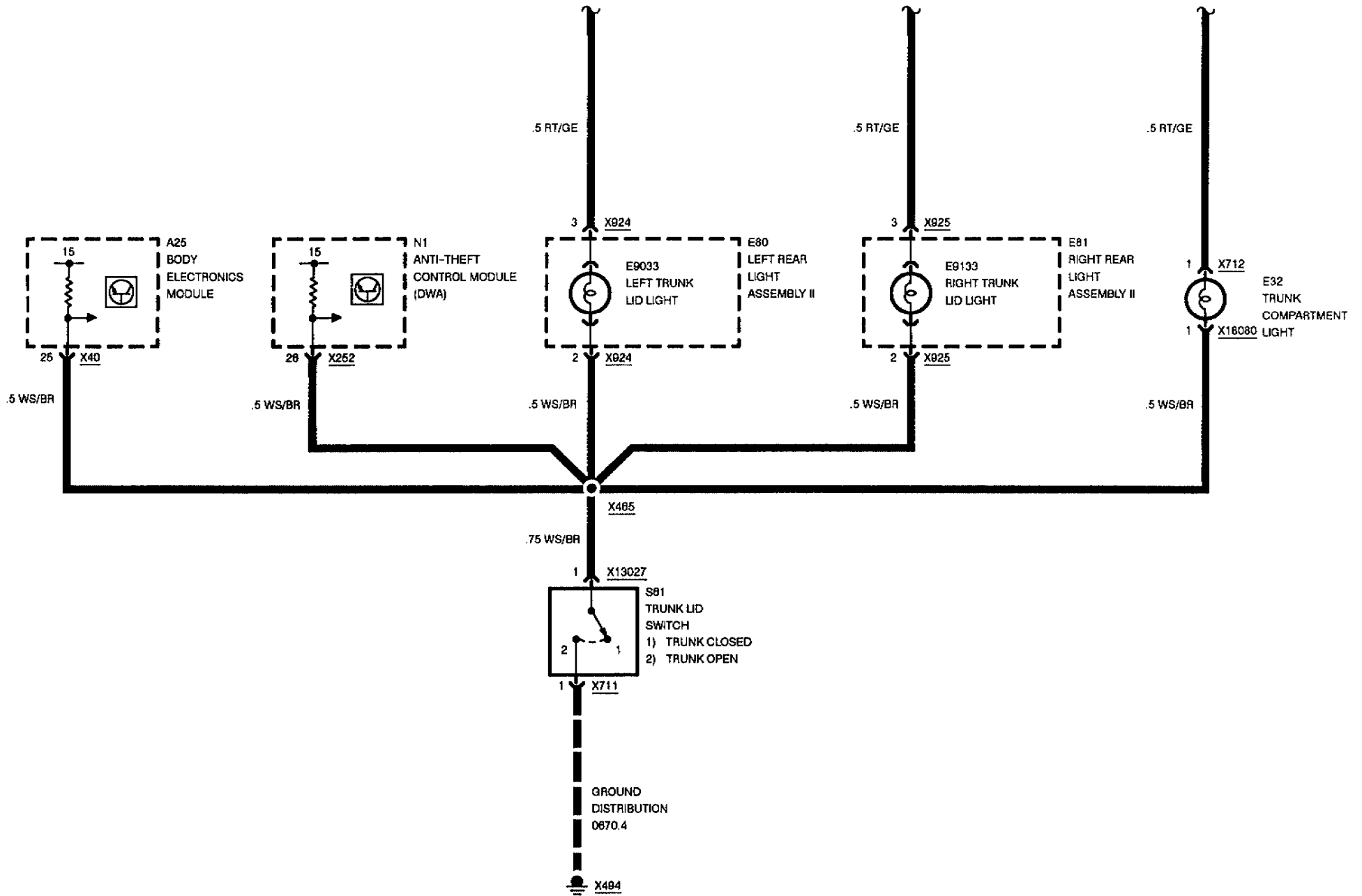






LICENSE PLATE/ LUGGAGE COMPARTMENT LIGHTS

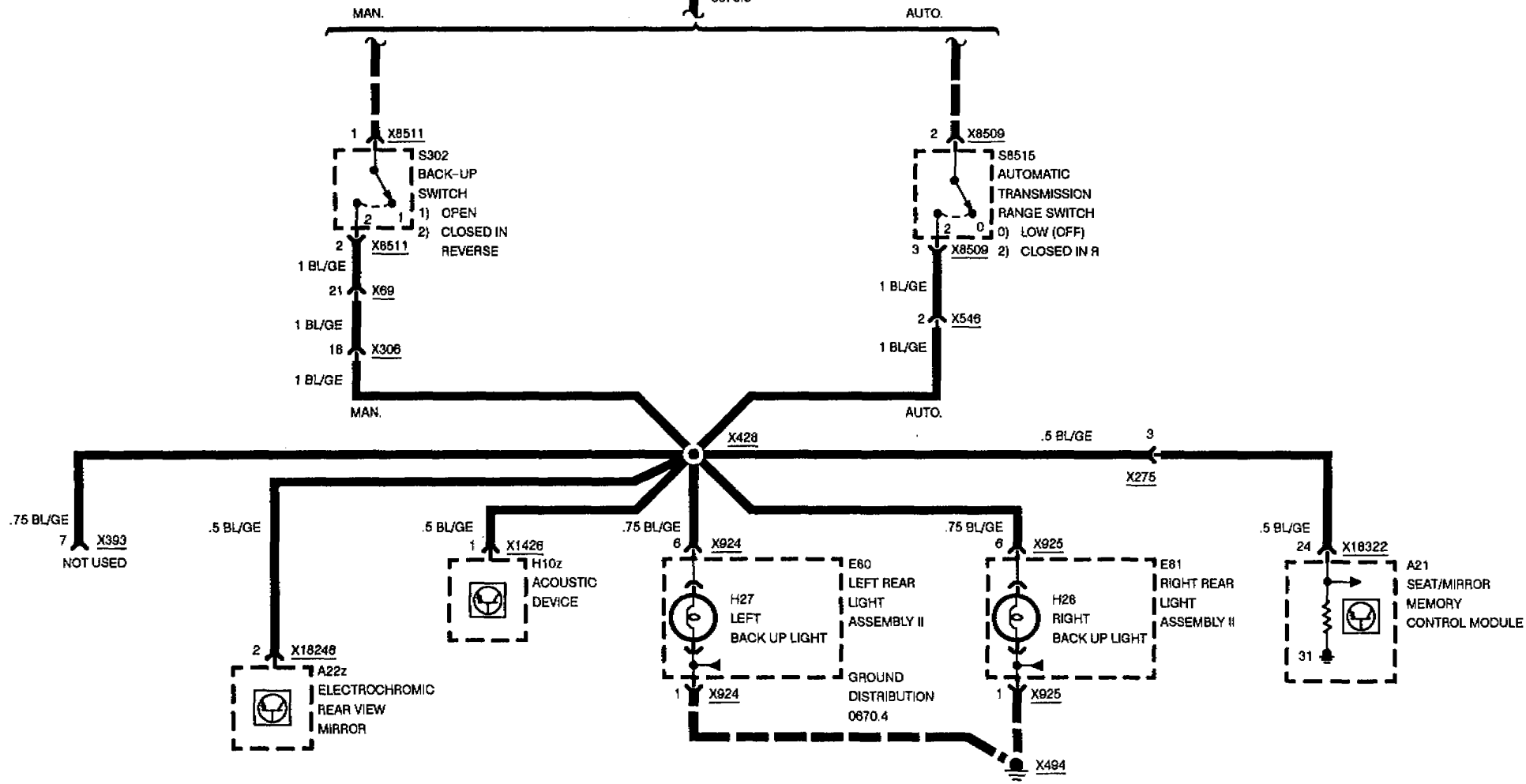
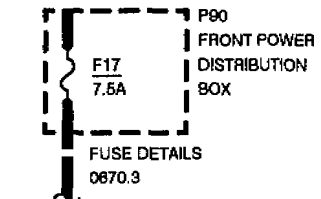






BACK UP LIGHTS

HOT IN RUN AND START





6325.0

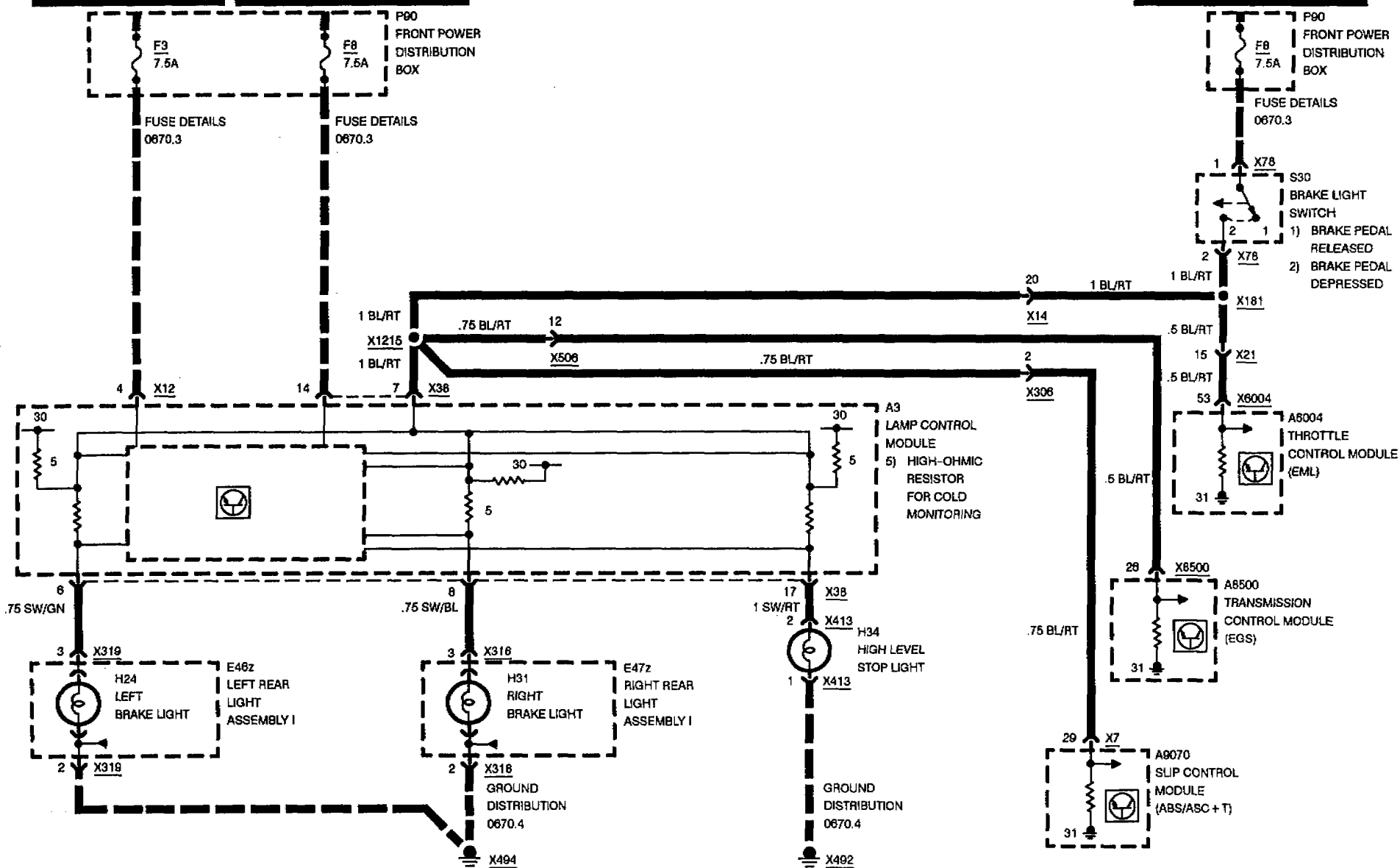


BRAKE LIGHTS

HOT IN RUN AND START

HOT IN ACCY, RUN OR START

HOT IN ACCY, RUN OR START

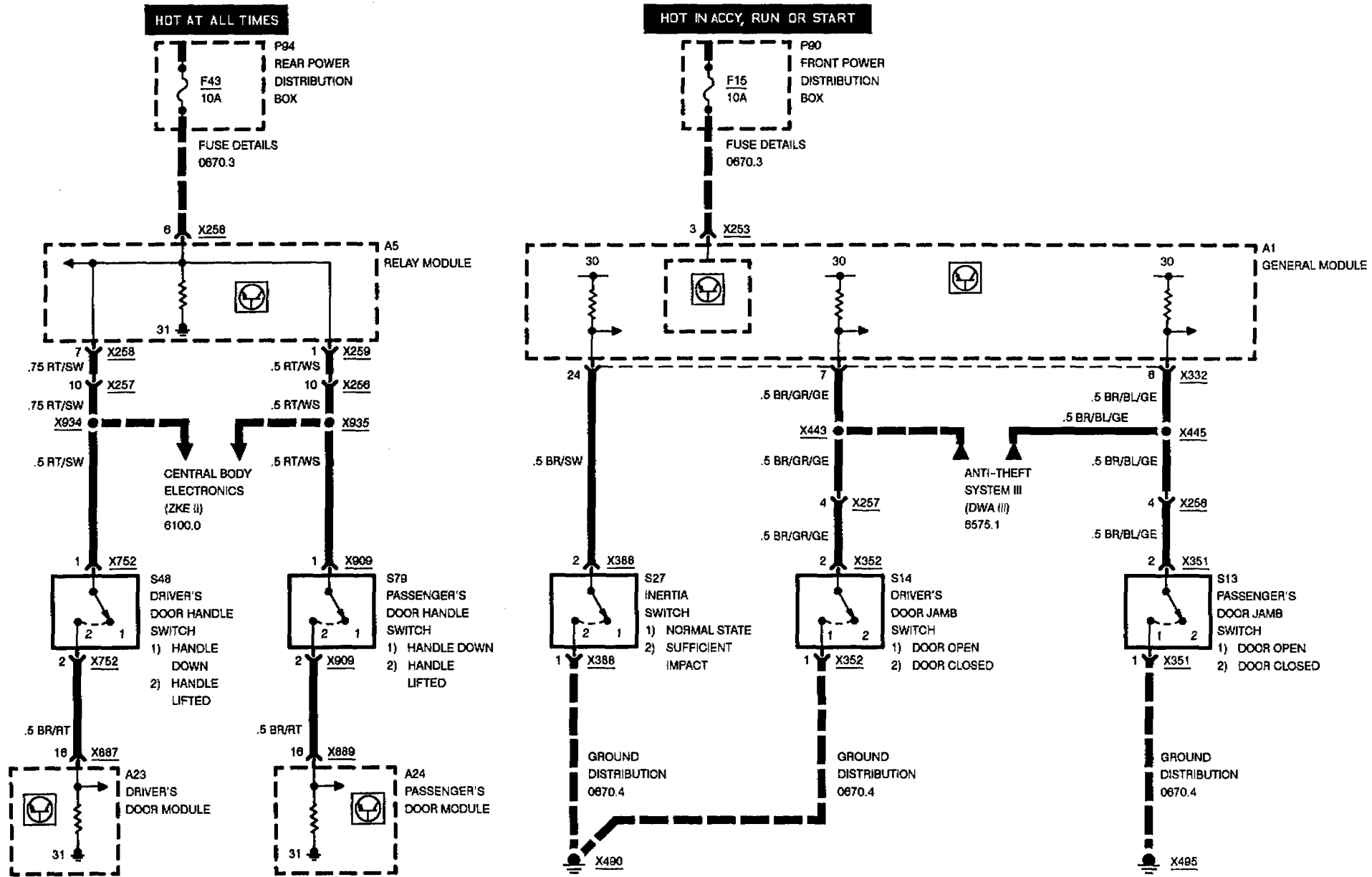






ZKE INTERIOR LIGHTS (IB)

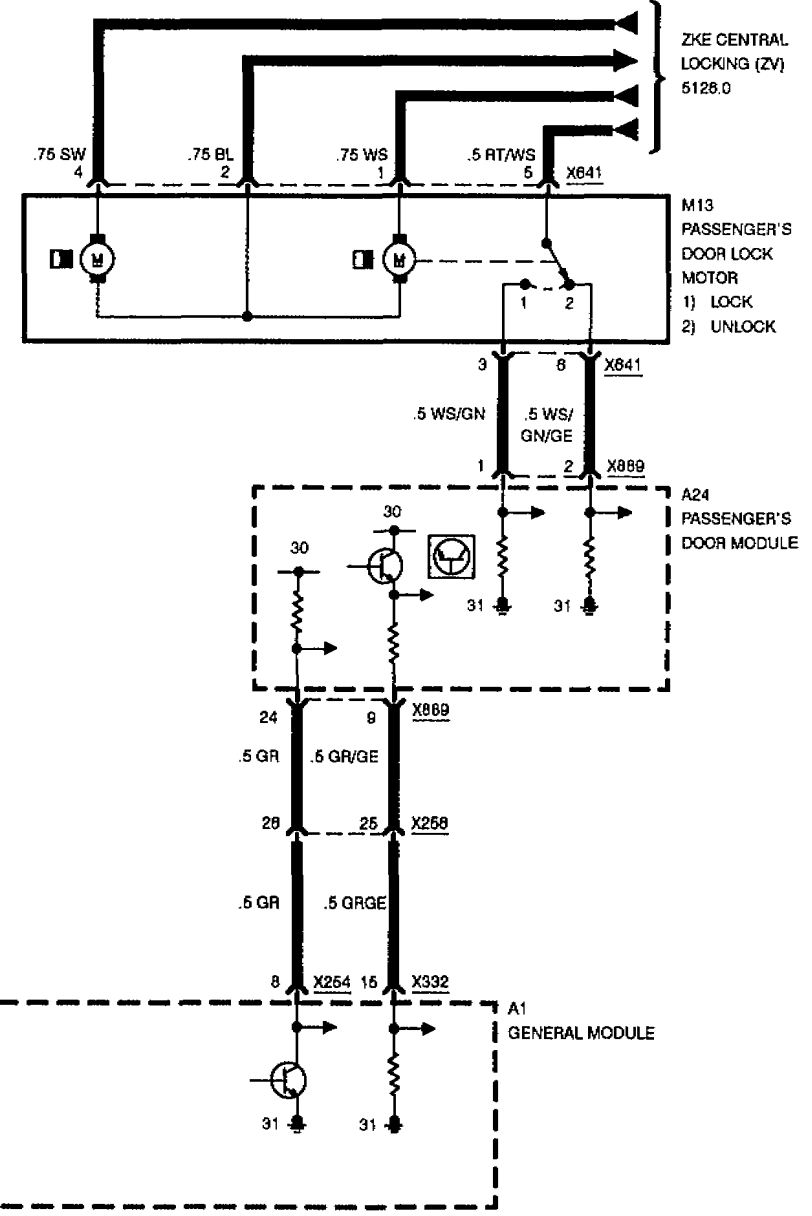
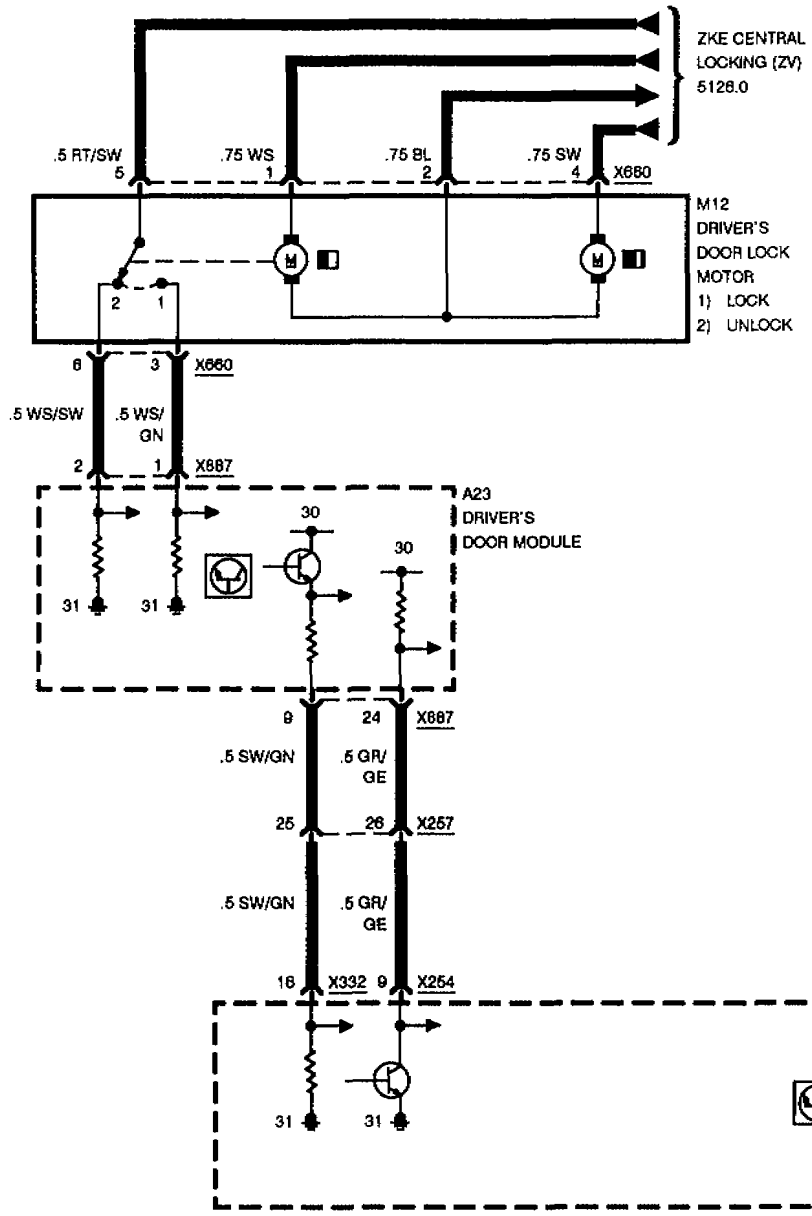
(INPUTS)



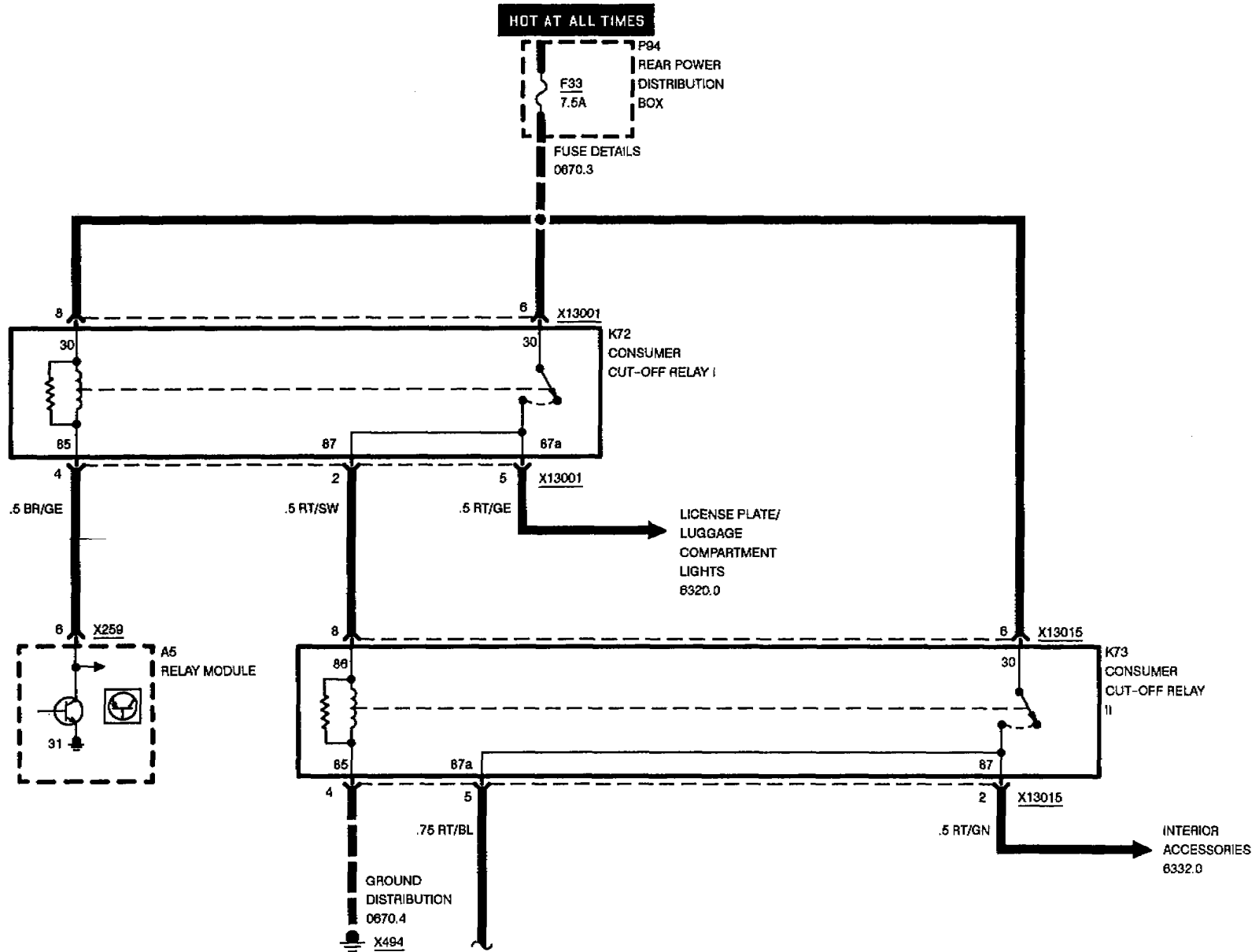


ZKE INTERIOR LIGHTS (IB)

(INPUTS)

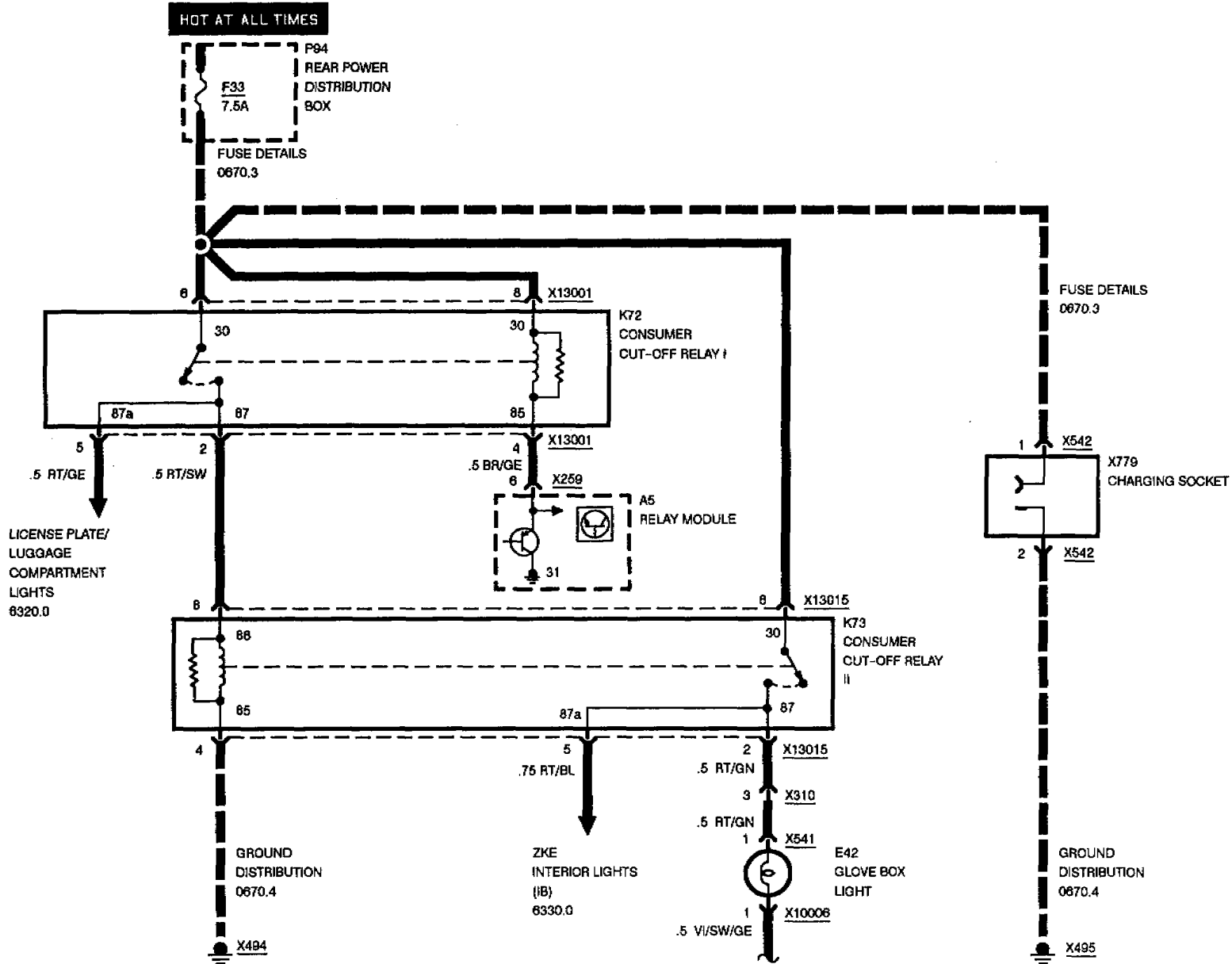


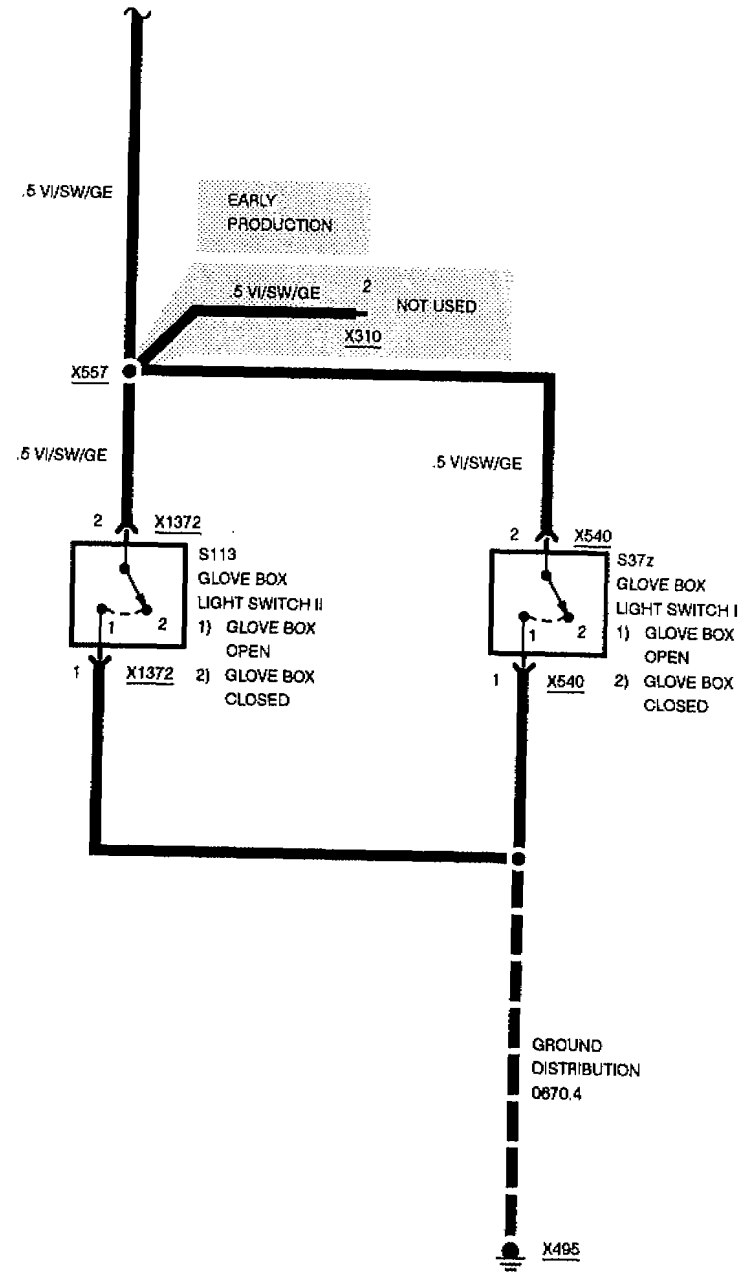
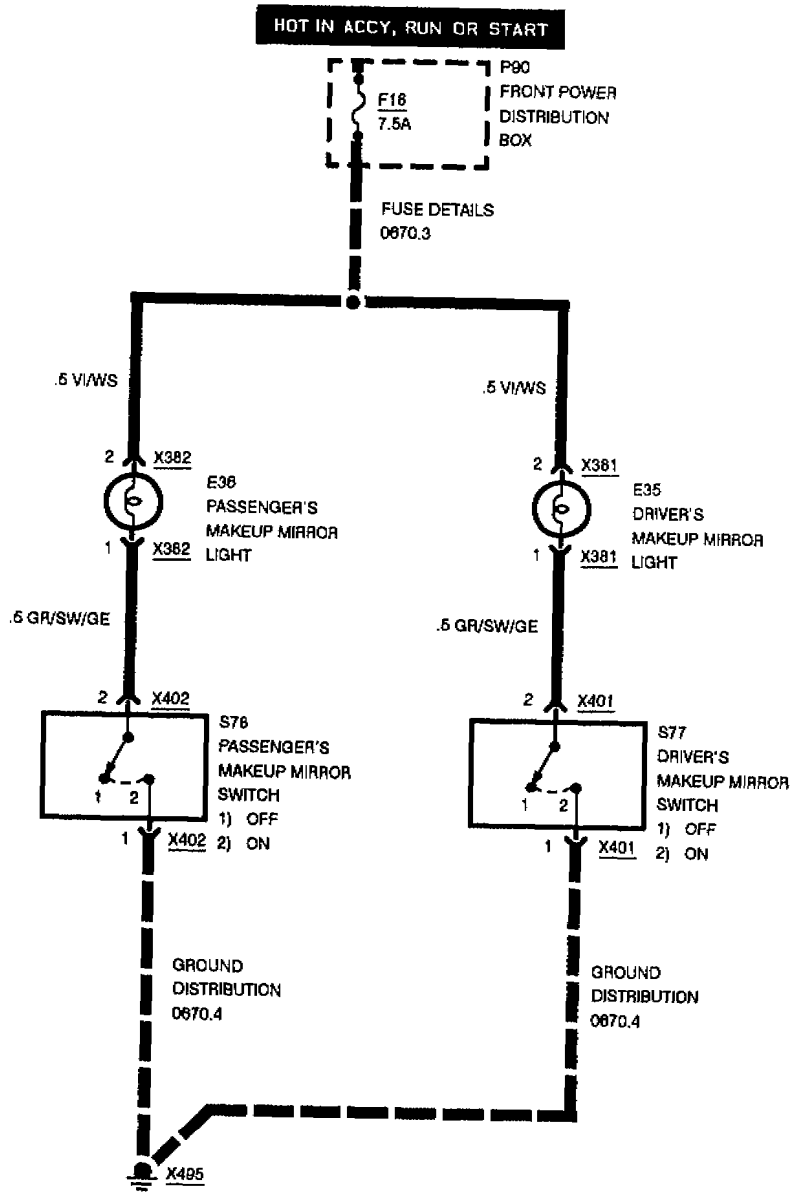
ZKE INTERIOR LIGHTS (IB)

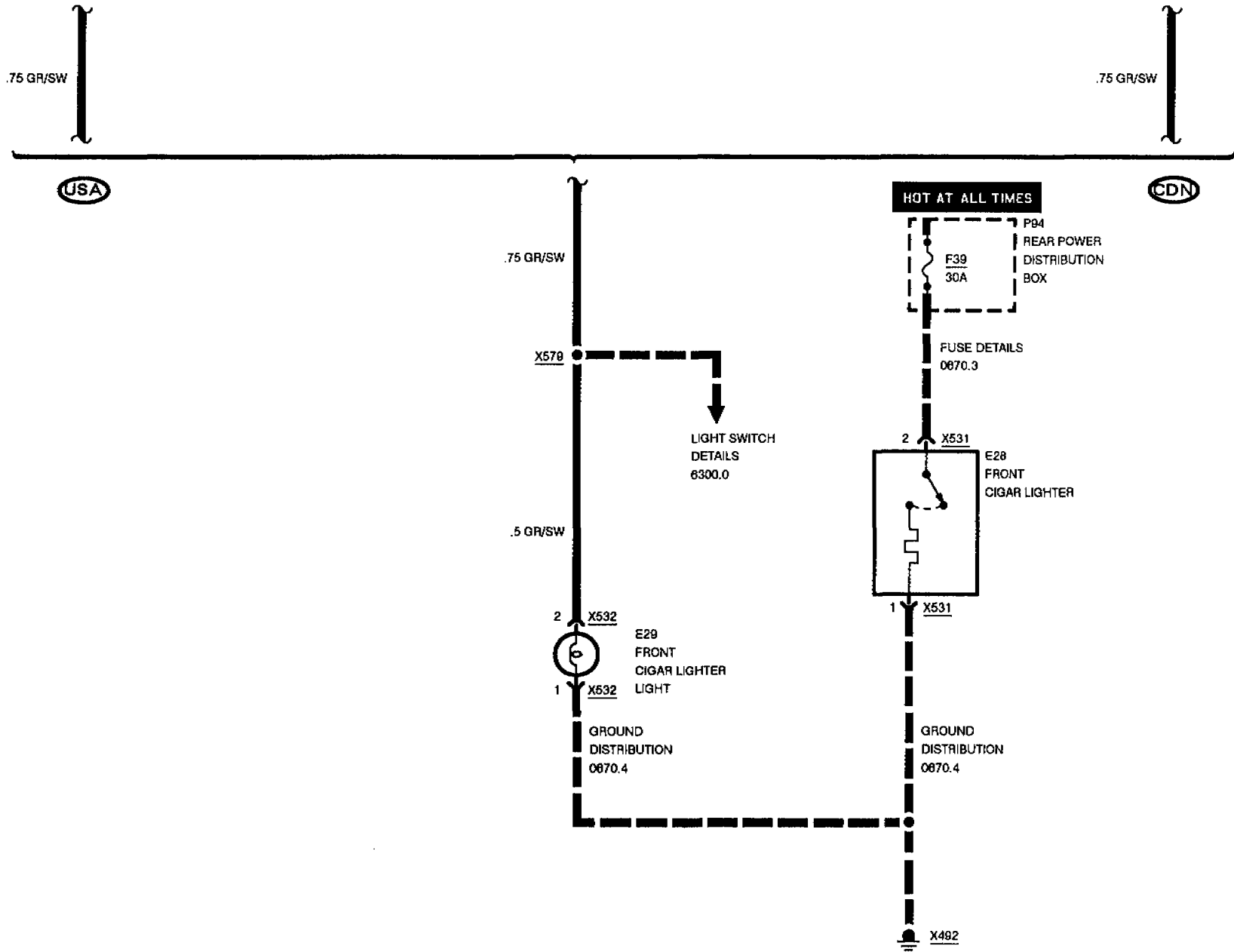




INTERIOR ACCESSORIES

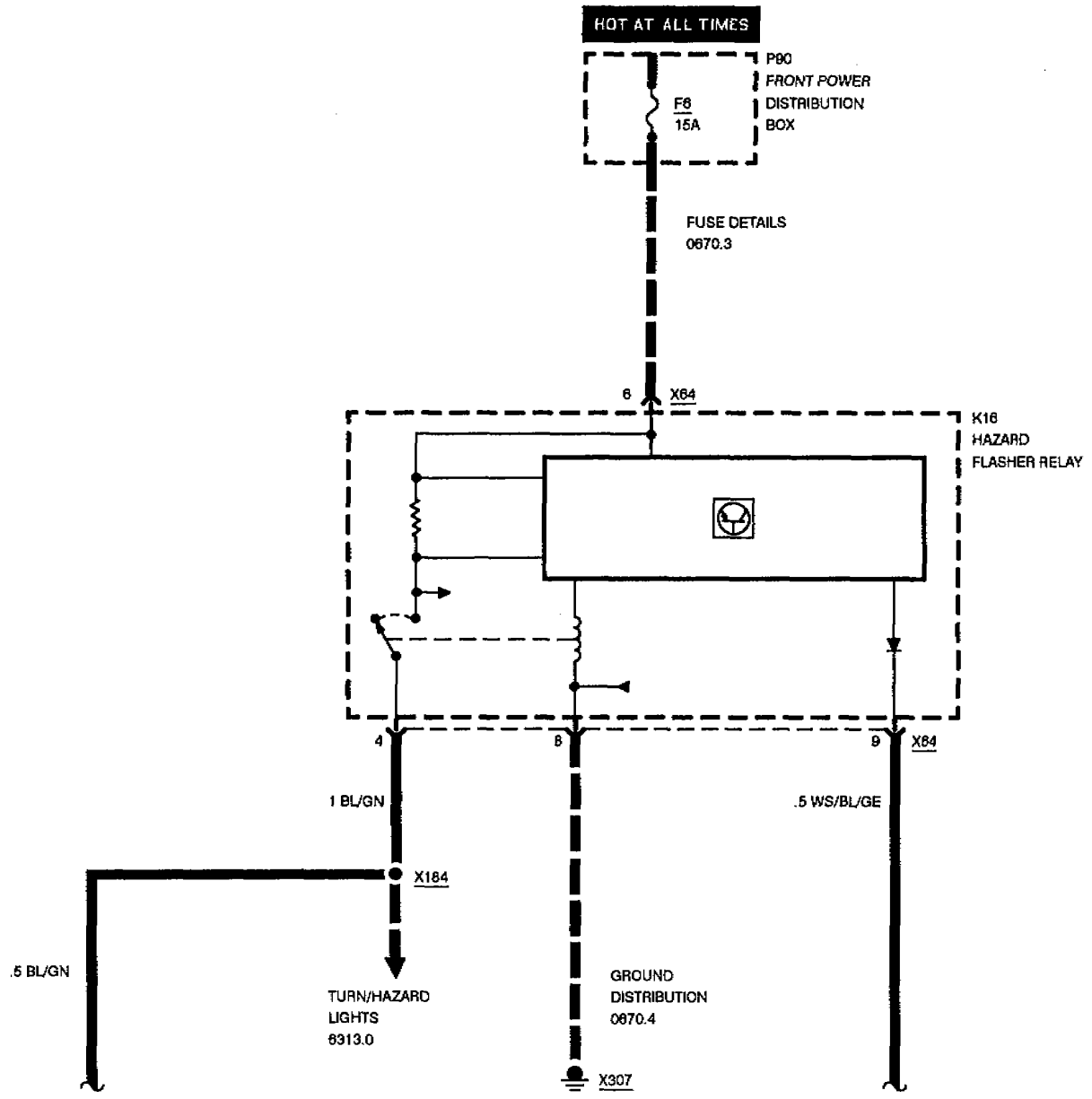


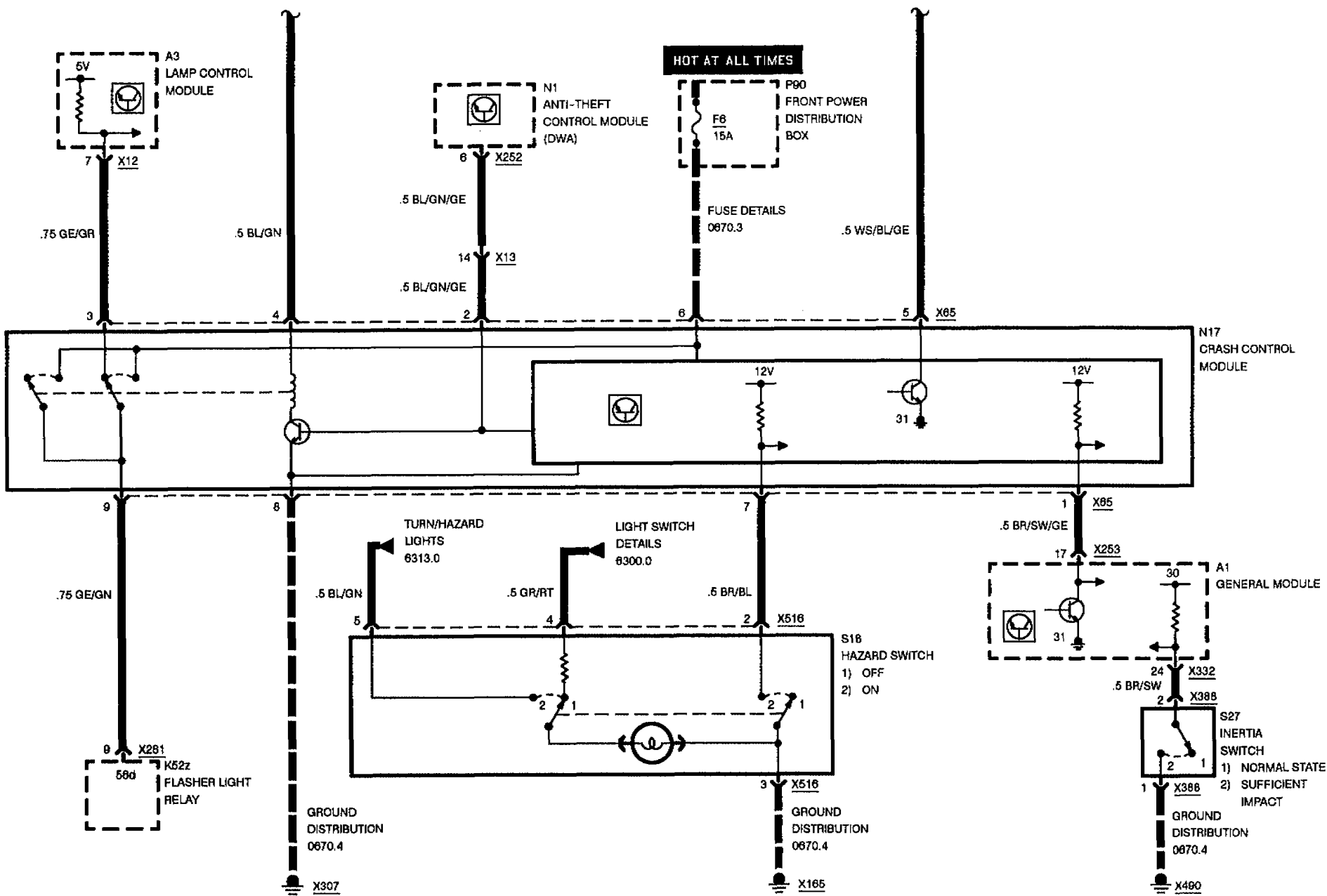






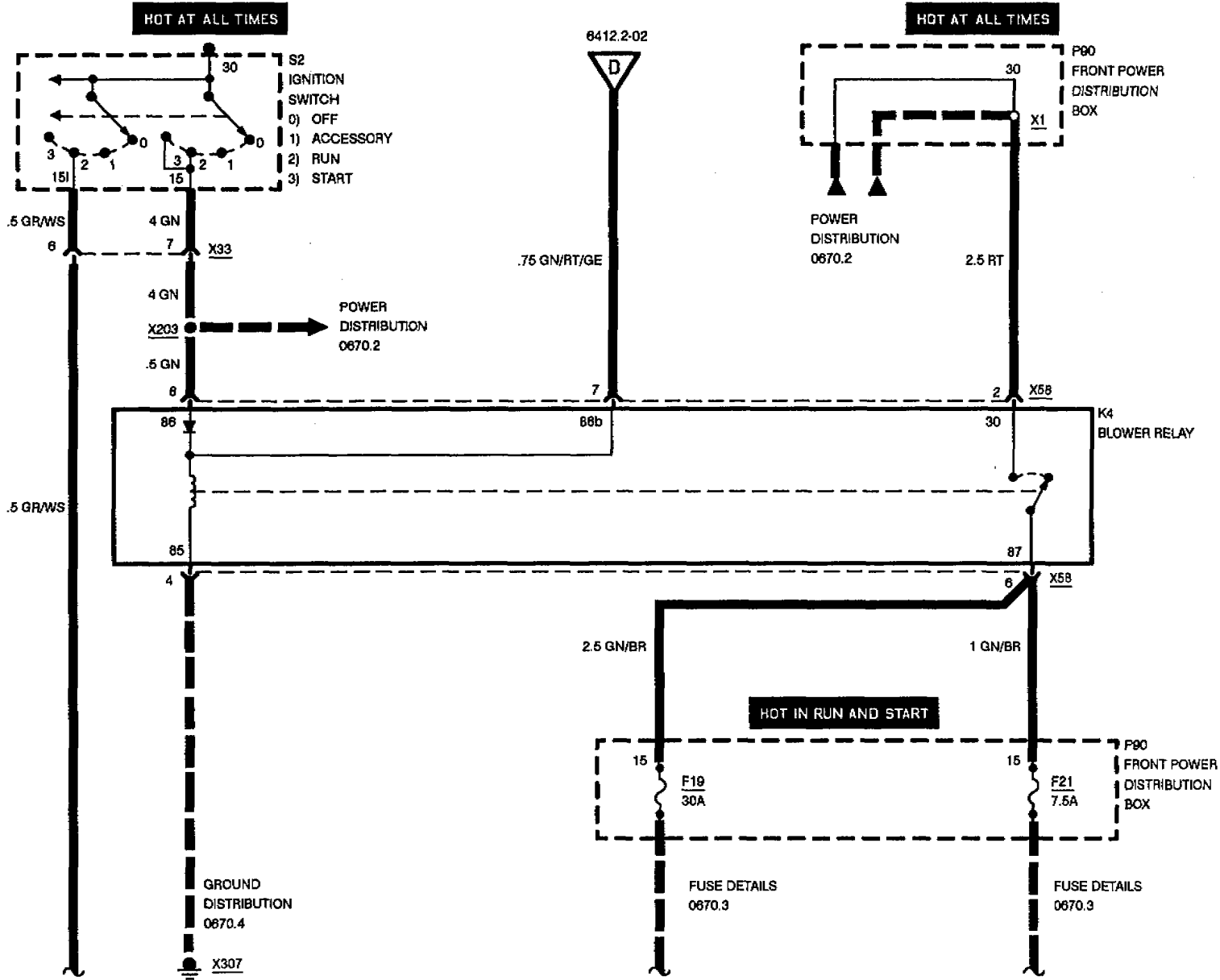
CRASH CONTROL MODULE

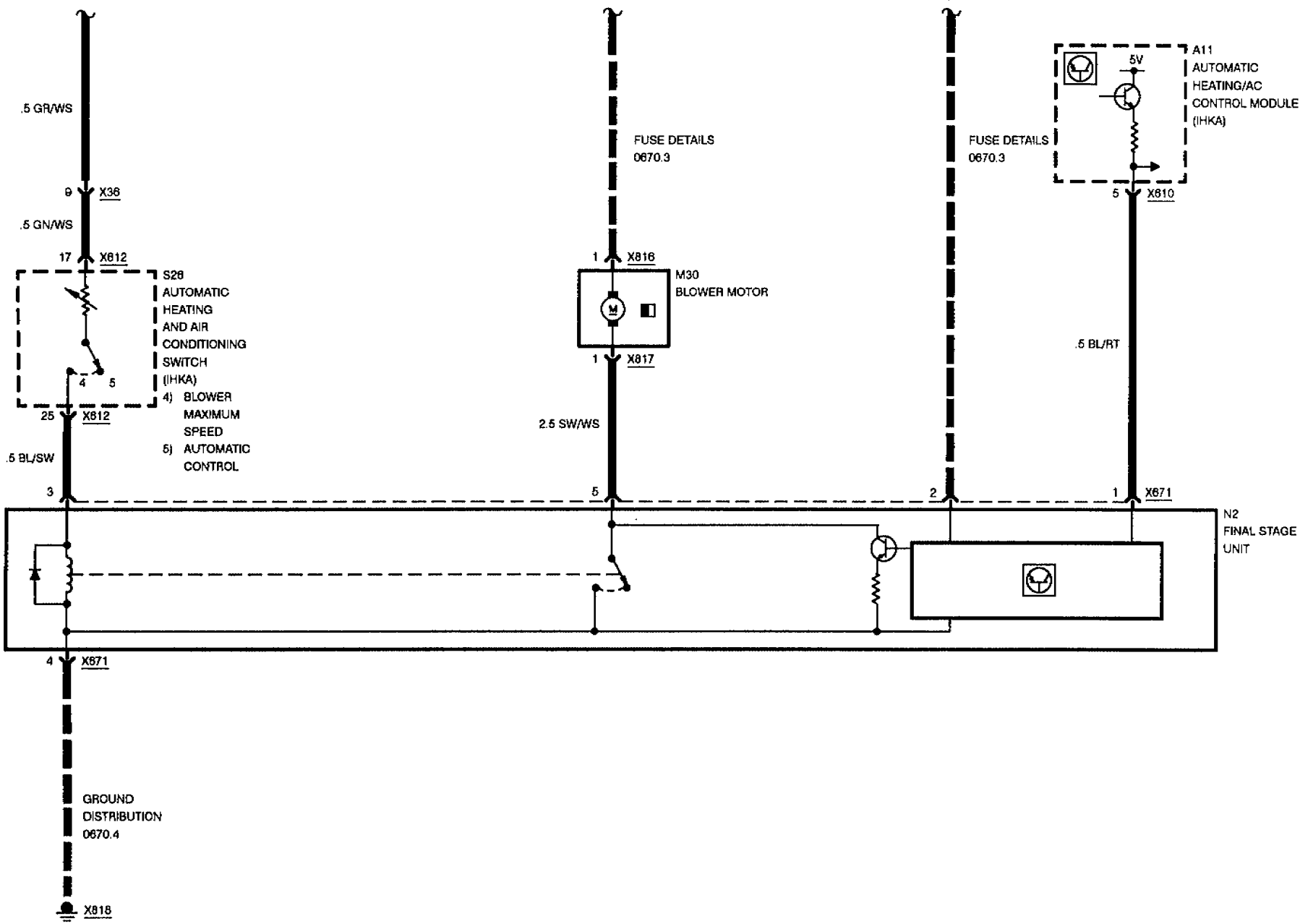




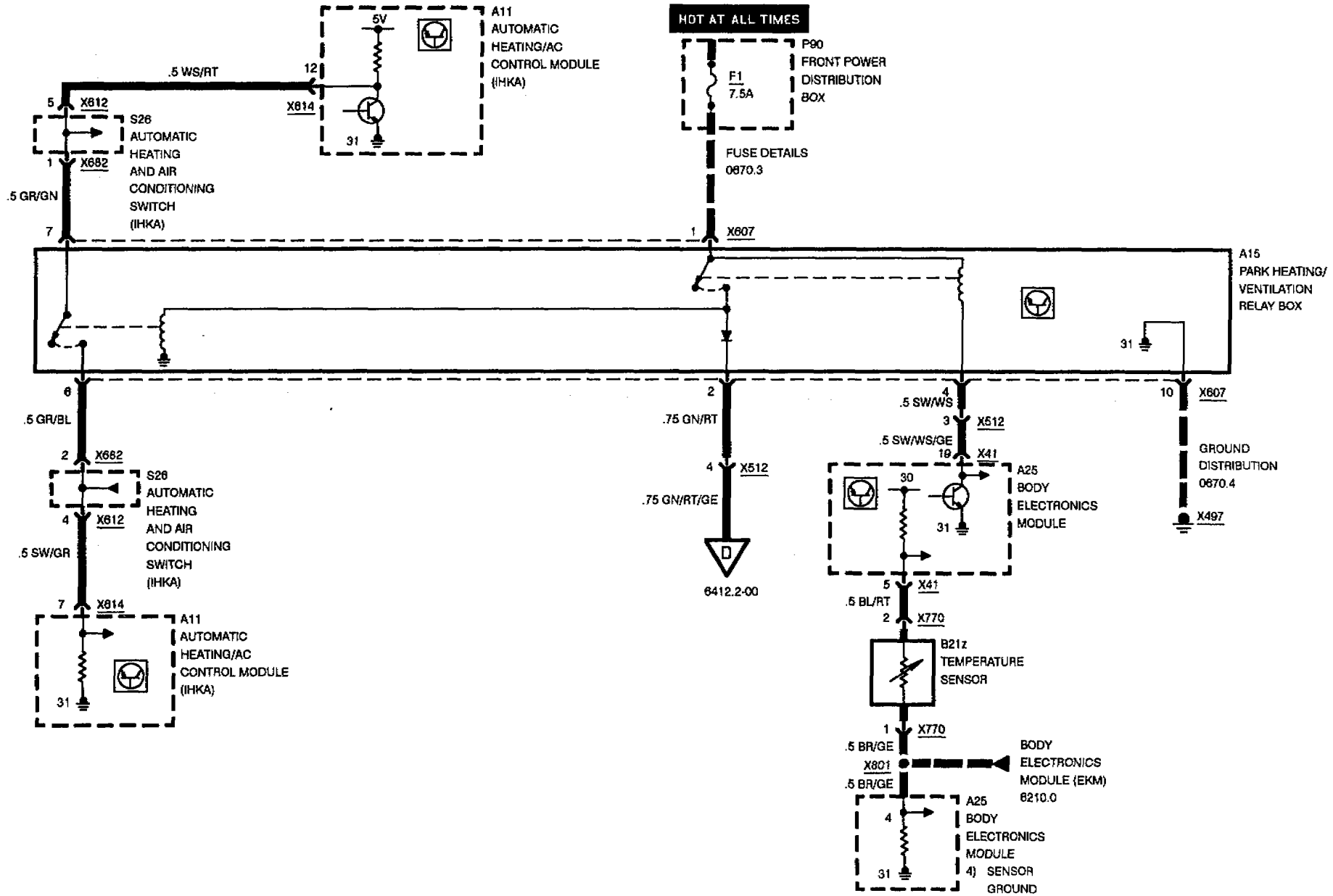


PARK VENTILATION WITH IHKA





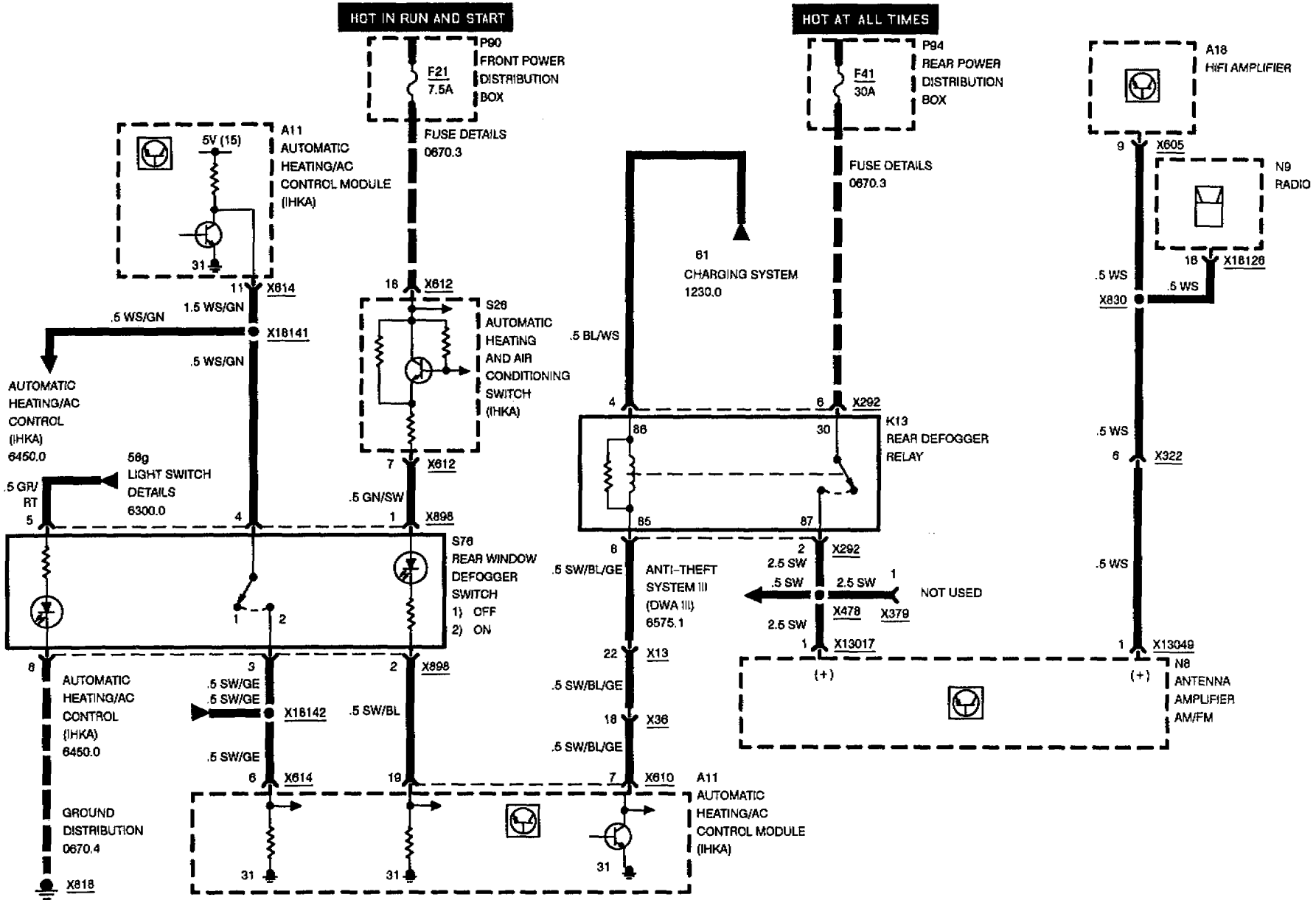
PARK VENTILATION WITH IHKA







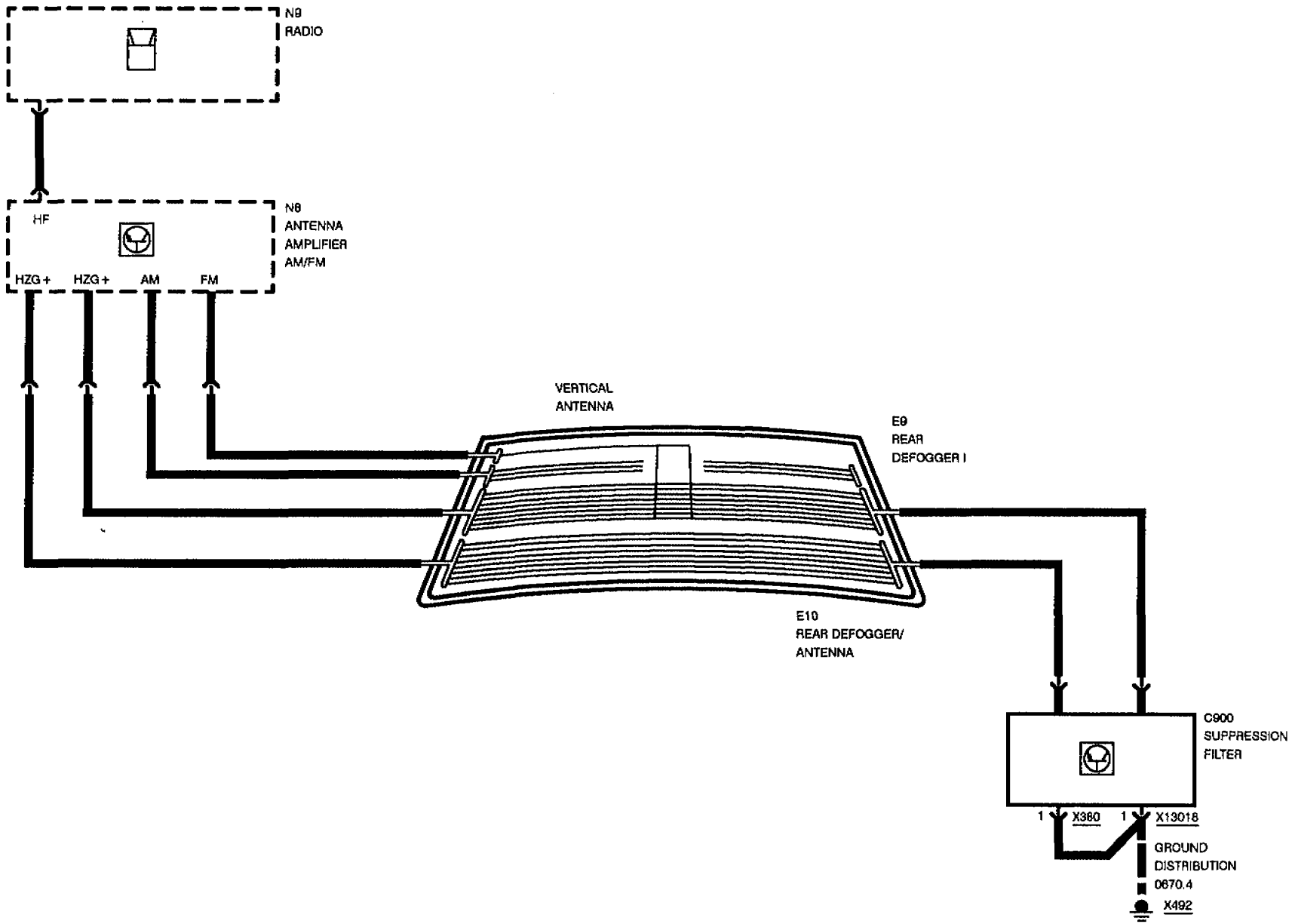
REAR WINDOW DEFOGGER/ ANTENNA



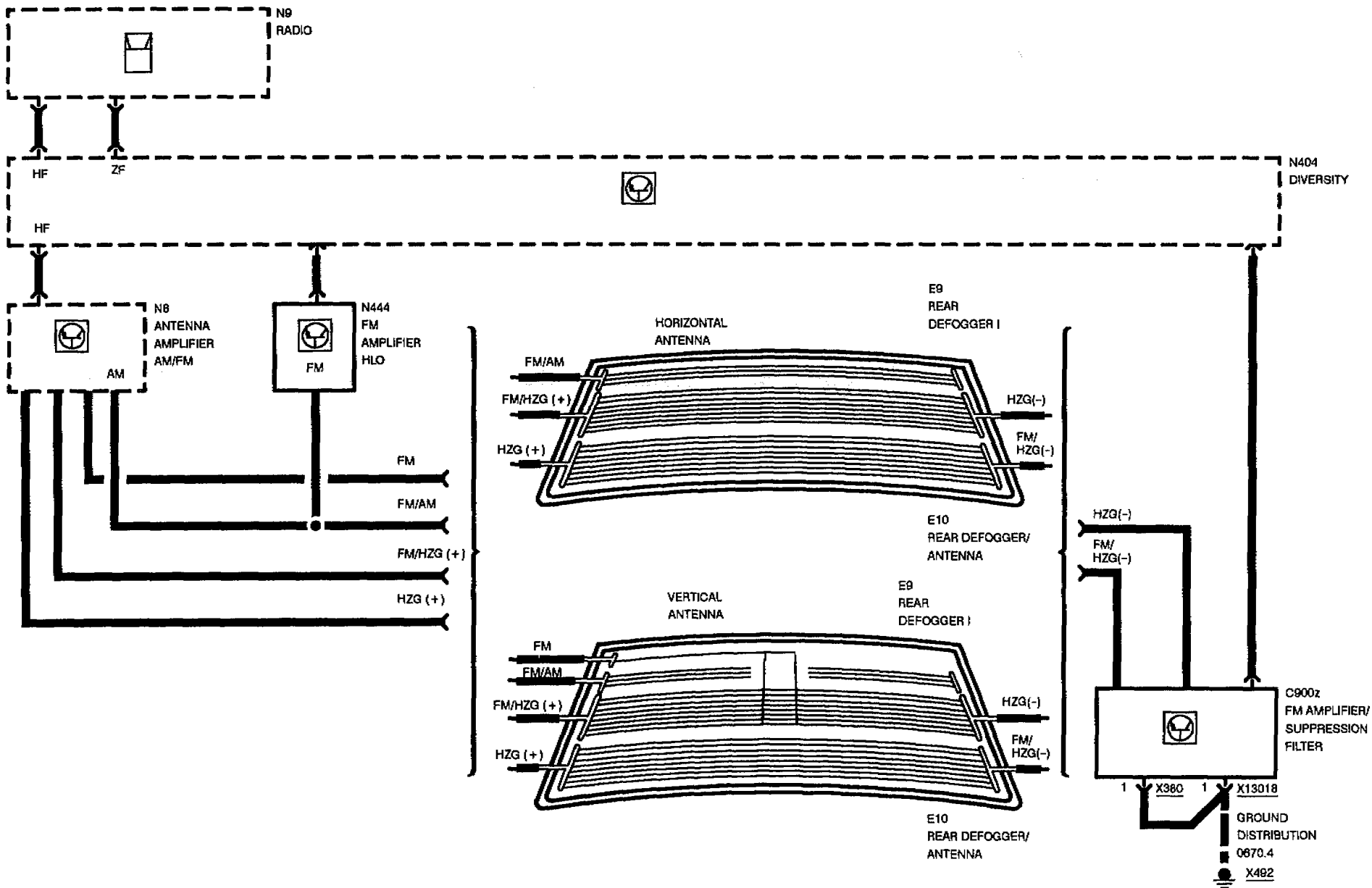


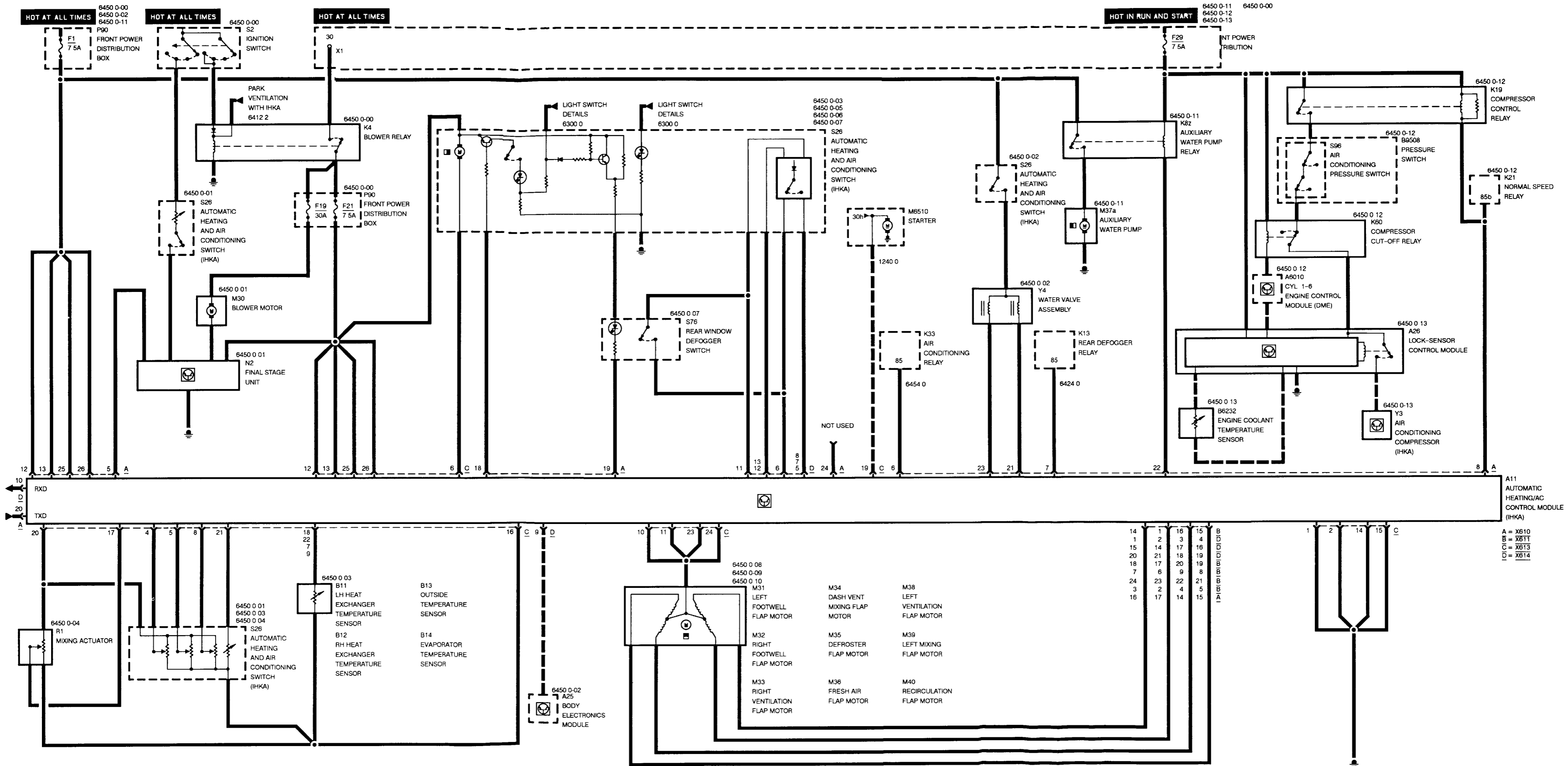
REAR WINDOW DEFOGGER/ ANTENNA

REAR WINDOW ANTENNA



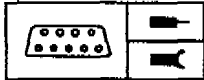
BMW 3 REAR WINDOW DEFOGGER/ ANTENNA
3-ANTENNA-DIVERSITY





A11
AUTOMATIC
HEATING/AC
CONTROL MODULE
(IHKA)

A = X610
B = X611
C = X613
D = X614



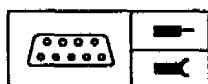
Pin Assignments

A=X610	26 pins, white
B=X611	26 pins, green
C=X613	26 pins, blue
D=X614	26 pins, yellow

X610

Pin	Type	Description/Function	Connection
1		Not used	
2		Not used	
3		Not used	
4		Not used	
5	A	Blower output stage activation	Final stage unit
6	A	Air conditioning	Air conditioning relay
7	A	Rear window defogger relay activation	Rear window defogger relay
8	A	Compressor control relay/normal speed relay activation	Compressor control relay/normal speed relay
9		Not used	
10		Not used	
11		Not used	
12	E	Voltage (terminal 30)	Fuse
13	E	Voltage (terminal 30)	Fuse
14	A	Circulating air flap motor activation	Footwell flap motor
15	A	Circulating air flap motor activation	Footwell flap motor
16	A	Circulating air flap motor activation	Footwell flap motor
17	A	Circulating air flap motor activation	Footwell flap motor
18	A	Function light activation	IHKA switch
19	A	Rear window defogger switch light activation	Rear window defogger switch
20	A	TxD diagnostic data line	Data link connector
21	A	Left water valve activation	Water valve assembly
22	A	Auxiliary water pump relay activation	Auxiliary water pump relay
23	A	Right water valve activation	Water valve assembly

E = Input, A = Output, M = Ground



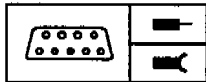
Pin Assignments

Pin	Type	Description/Function	Connection
24		Not used	
25	E	Voltage (terminal 30)	Fuse
26	E	Voltage (terminal 30)	Fuse

X611

Pin	Type	Description/Function	Connection
1	A	Left footwell flap motor activation	Left footwell flap motor
2	A	Left mixing flap motor activation	Left mixing flap motor
3	A	Left mixing flap motor activation	Left mixing flap motor
4	A	Left mixing flap motor activation	Left mixing flap motor
5	A	Left mixing flap motor activation	Left mixing flap motor
6	A	Fresh air flap motor activation	Fresh air flap motor
7	A	Fresh air flap motor activation	Fresh air flap motor
8	A	Fresh air flap motor activation	Fresh air flap motor
9	A	Fresh air flap motor activation	Fresh air flap motor
10		Not used	
11		Not used	
12		Not used	
13		Not used	
14	A	Left footwell flap motor activation	Left footwell flap motor
15	A	Left footwell flap motor activation	Left footwell flap motor
16	A	Left footwell flap motor activation	Left footwell flap motor
17	A	Defroster flap motor activation	Defroster flap motor
18	A	Defroster flap motor activation	Defroster flap motor
19	A	Defroster flap motor activation	Defroster flap motor
20	A	Defroster flap motor activation	Defroster flap motor
21	A	Left ventilation flap motor activation	Left ventilation flap motor
22	A	Left ventilation flap motor activation	Left ventilation flap motor
23	A	Left ventilation flap motor activation	Left ventilation flap motor
24	A	Left ventilation flap motor activation	Left ventilation flap motor

E = Input, A = Output, M = Ground



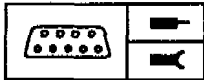
Pin Assignments

Pin	Type	Description/Function	Connection
25		Not used	
26		Not used	

X613

Pin	Type	Description/Function	Connection
1	M	Ground	Ground point
2	M	Ground	Ground point
3		Not used	
4	E	Nominal temperature value, left (potentiometer)	IHKA switch
5	E	Nominal air flow value (potentiometer)	IHKA switch
6	M	Interior sensor blower (ground)	IHKA switch
7	A/E	Outside temperature	Outside temperature sensor
8	E	Nominal temperature value, right (potentiometer)	IHKA switch
9	A/E	Evaporator temperature	Evaporator temp. sensor
10	A	Voltage for flap motors	Plus connector for flap motors
11	A	Voltage for flap motors	Plus connector for flap motors
12	E	Ignition voltage (terminal 15)	Blower relay/fuse
13	E	Ignition voltage (terminal 15)	Blower relay/fuse
14	M	Ground	Ground point
15	M	Ground	Ground point
16	A	Ground for sensors and control wheels	Sensors and control wheels
17	E	Nominal mixing air value	Temperature distribution potentiometer
18	A/E	Left heater temperature	Left heat exchanger temperature sensor
19	E	Starter signal 30h	Starter
20	A	Voltage for control wheels	Control wheels
21	A/E	Inside air temperature sensor	IHKA switch
22	A/E	Right heater temperature	Right heat exchanger temperature sensor
23	A	Voltage for flap motors	Plus connector for flap motors
24	A	Voltage for flap motors	Plus connector for flap motors

E = Input, A = Output, M = Ground



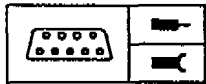
Pin Assignments

Pin	Type	Description/Function	Connection
25	E	Ignition voltage (terminal 15)	Blower relay/fuse
26	E	Ignition voltage (terminal 15)	Blower relay/fuse

X614

Pin	Type	Description/Function	Connection
1	A	Right footwell flap motor activation	Right footwell flap motor
2	A	Right footwell flap motor activation	Right footwell flap motor
3	A	Right footwell flap motor activation	Right footwell flap motor
4	A	Right footwell flap motor activation	Right footwell flap motor
5	E	Switch for circulating air and air conditioning	IHKA switch
6	E	Switch for rear window, max left, bottom left	IHKA switch/rear window defogger switch
7	E	Switch for defrost, park heating, park ventilation	IHKA switch, relay box park heating/park ventilation
8	E	Switch for max right, bottom right, right-hand drive coding diode	IHKA switch
9	E	Vehicle speed signal	Body electronics module (EKM)
10	A	RxD diagnostic data line	Data link connector
11	A	Switch for rear window, park heating, right-hand drive coding diode	IHKA switch/rear window defogger switch
12	A	Switch for circulating air, max left, max right, park ventilation	IHKA switch
13	A	Switch for air conditioning, bottom left, defrost, bottom right	IHKA switch
14	A	Right ventilation flap motor activation	Right ventilation flap motor
15	A	Right ventilation flap motor activation	Right ventilation flap motor
16	A	Right ventilation flap motor activation	Right ventilation flap motor
17	A	Right ventilation flap motor activation	Right ventilation flap motor
18	A	Dash vent mixing flap motor activation	Dash vent mixing flap motor
19	A	Dash vent mixing flap motor activation	Dash vent mixing flap motor
20	A	Dash vent mixing flap motor activation	Dash vent mixing flap motor
21	A	Dash vent mixing flap motor activation	Dash vent mixing flap motor
22		Not used	

E = Input, A = Output, M = Ground



Pin Assignments

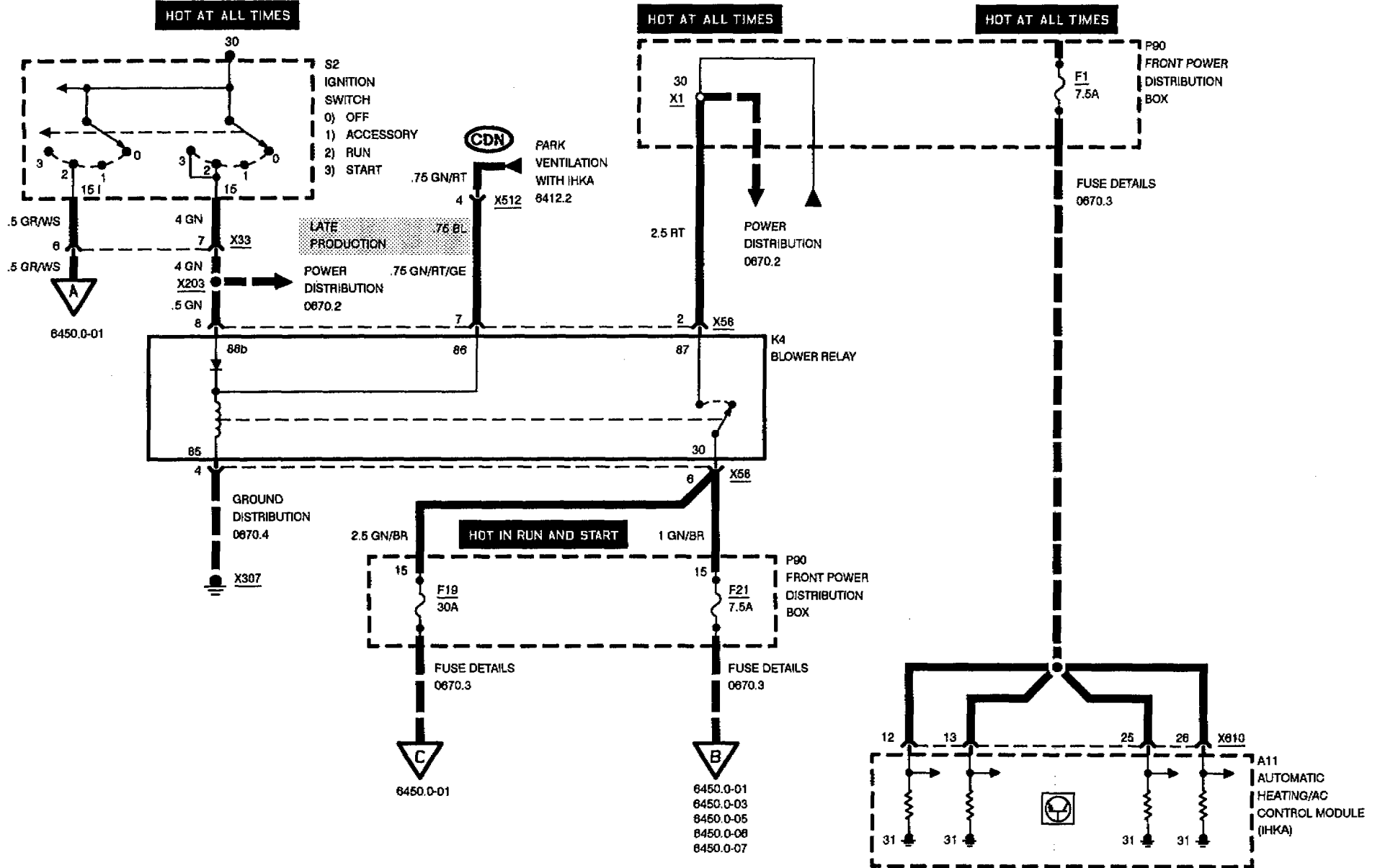
Pin	Type	Description/Function	Connection
23		Not used	
24		Not used	
25		Not used	
26		Not used	

E = Input, A = Output, M = Ground

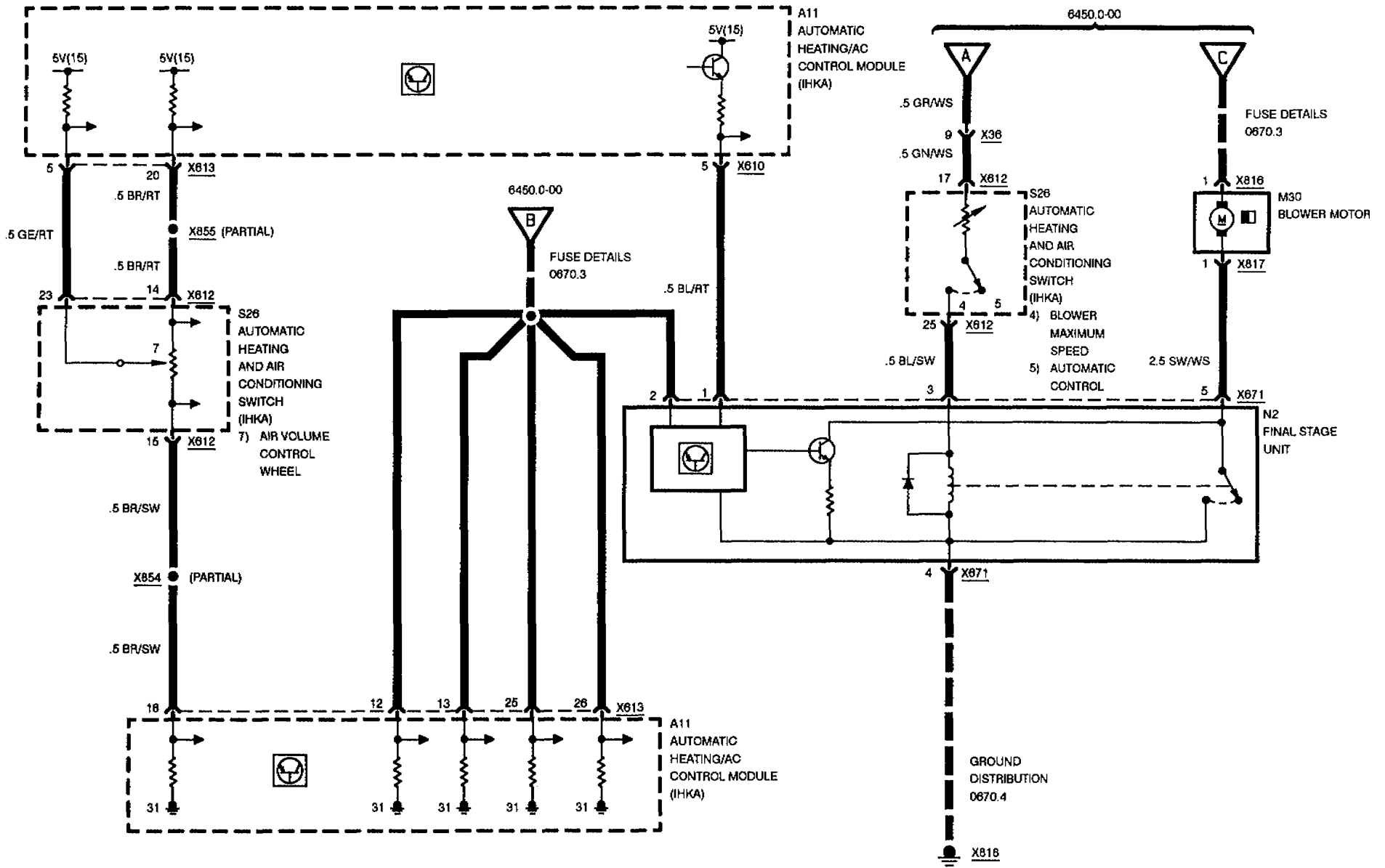


AUTOMATIC HEATING/AC CONTROL (IHKA)

POWER



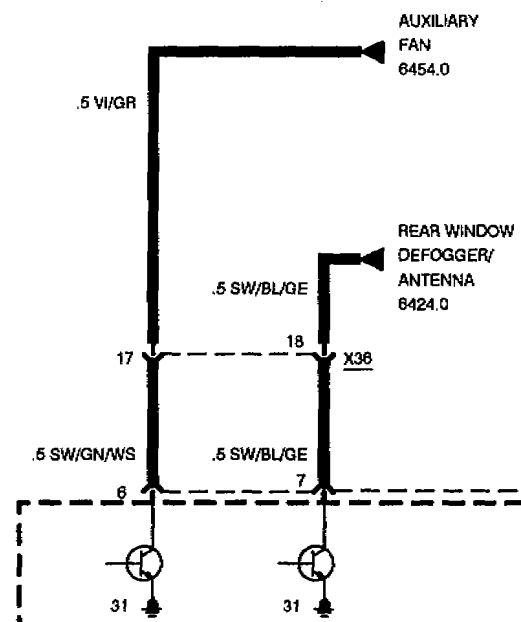
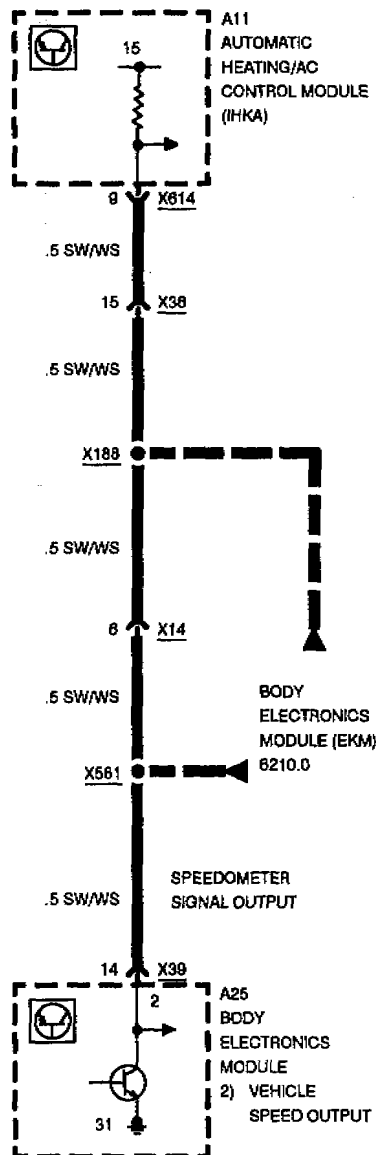
AUTOMATIC HEATING/AC CONTROL (IHKA) BLOWER CONTROLS



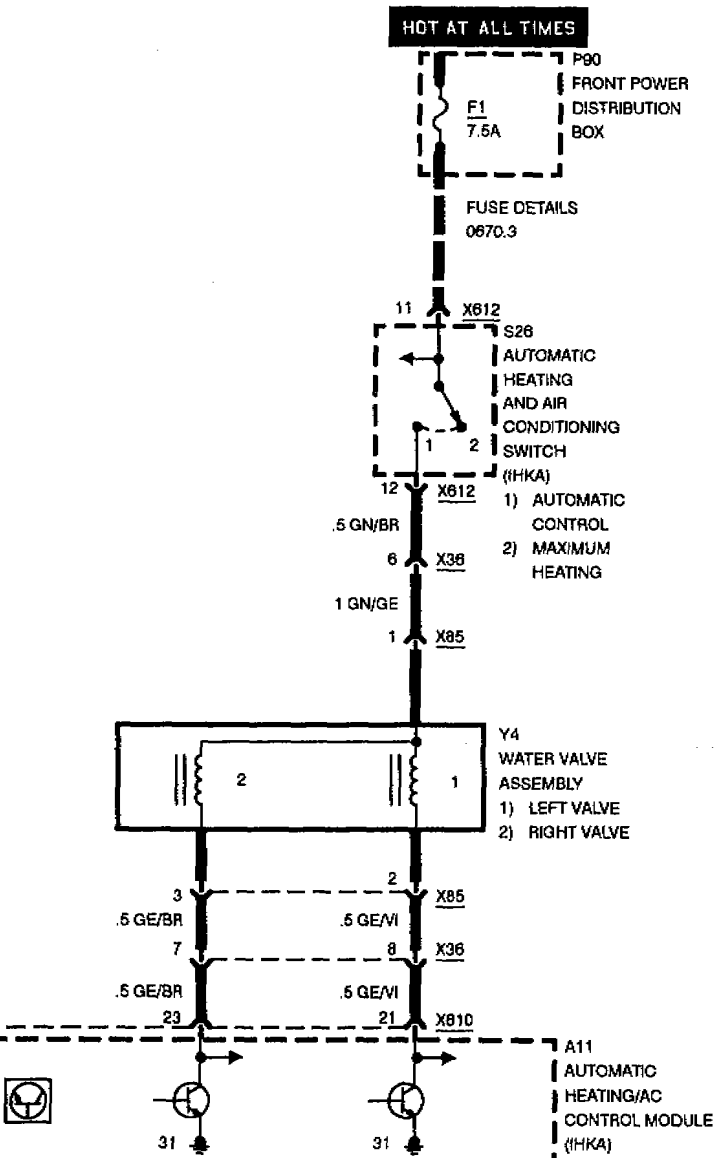


AUTOMATIC HEATING/AC CONTROL (IHKA)

BLOWER CONTROLS

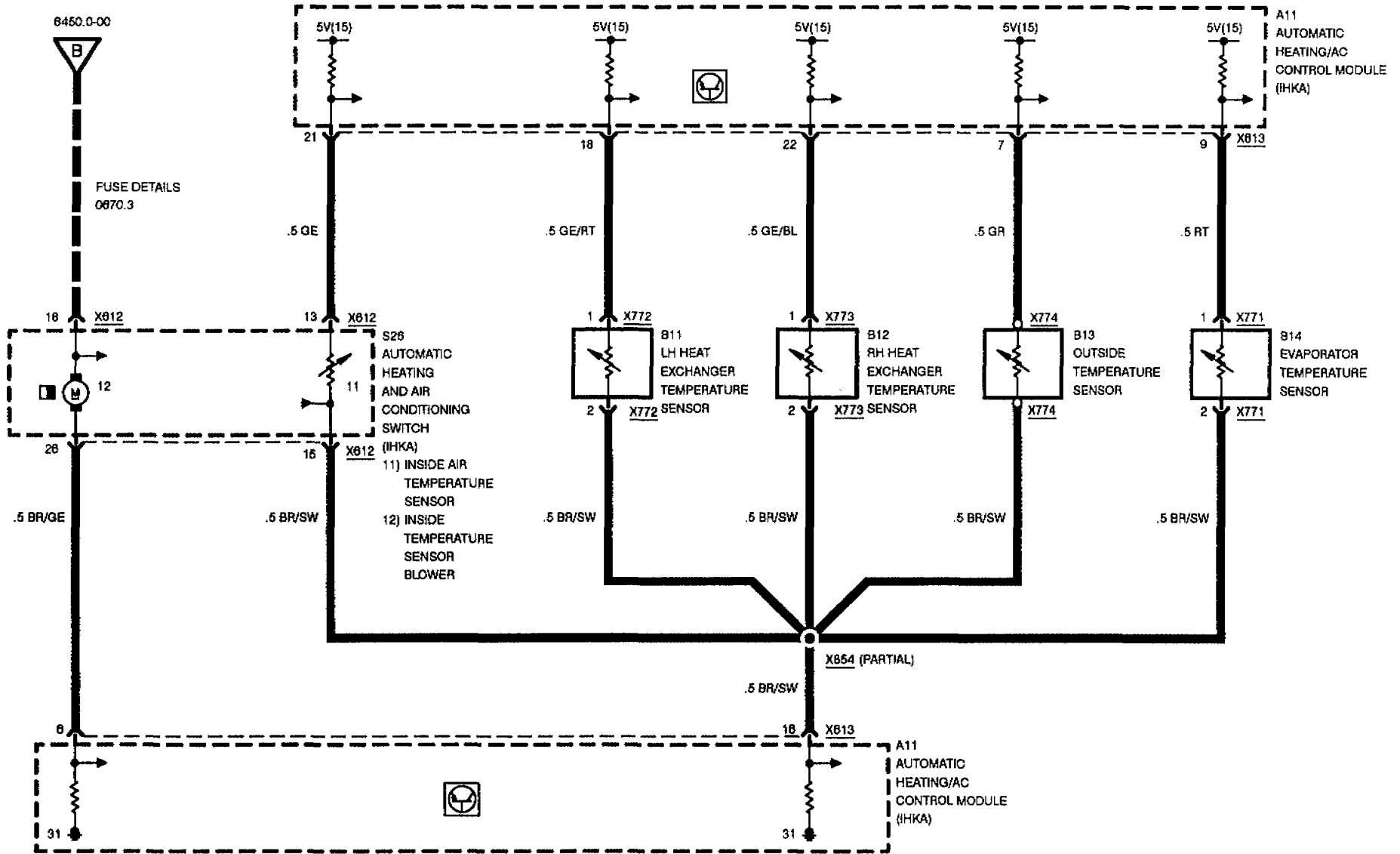


WATER VALVES





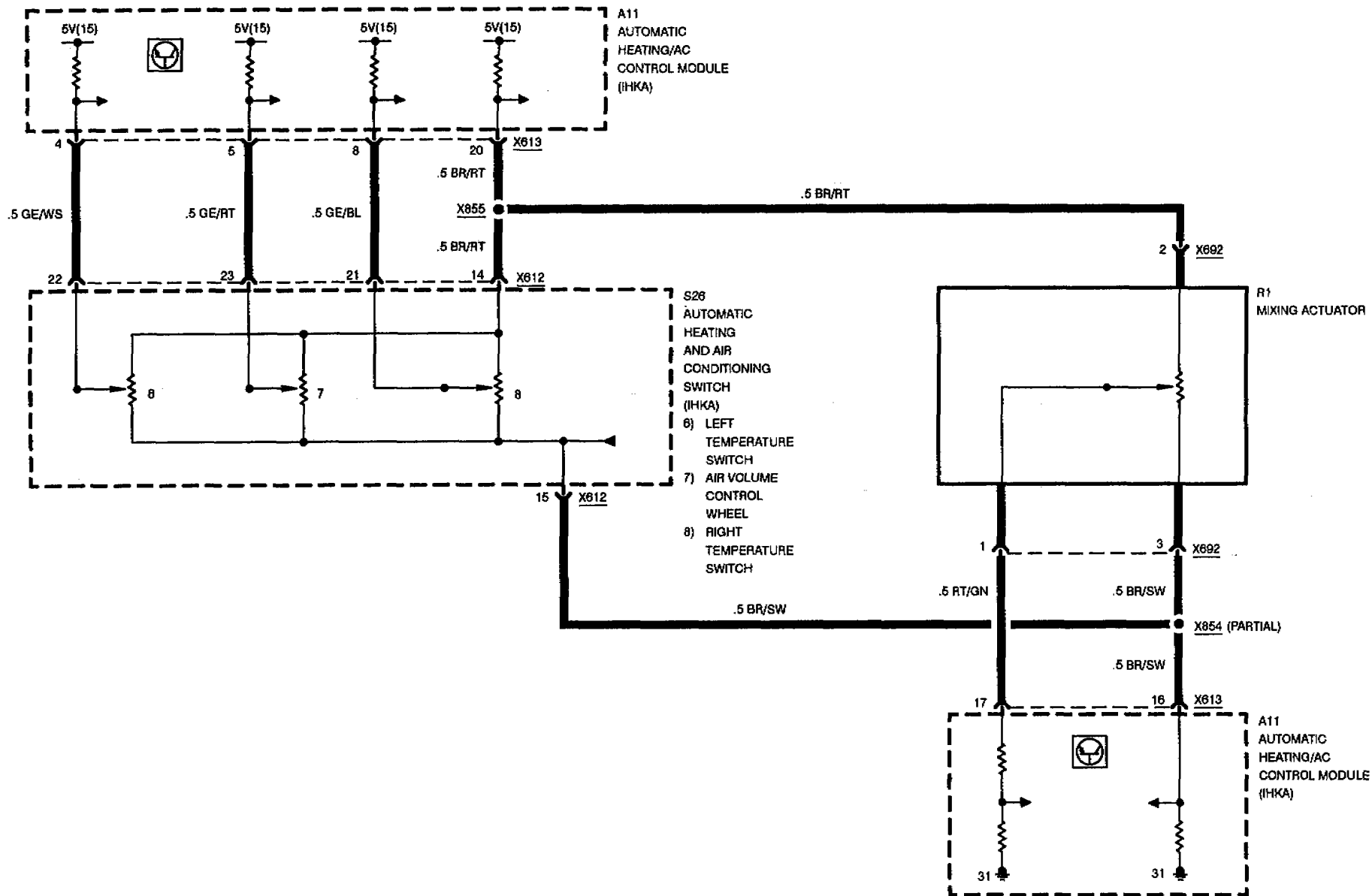
AUTOMATIC HEATING/AC CONTROL (IHKA) TEMPERATURE CONTROLS





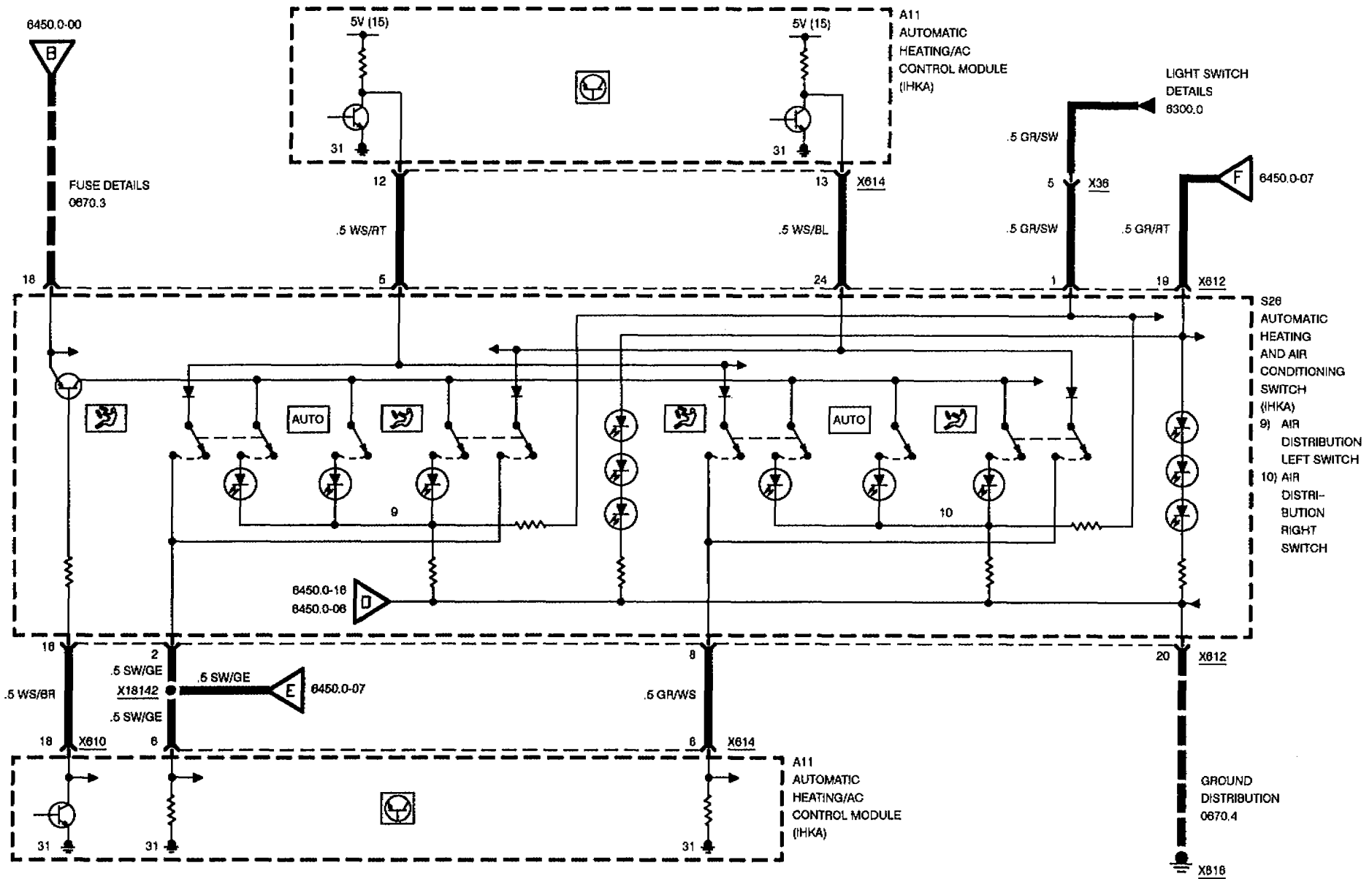
AUTOMATIC HEATING/AC CONTROL (IHKA)

TEMPERATURE CONTROLS





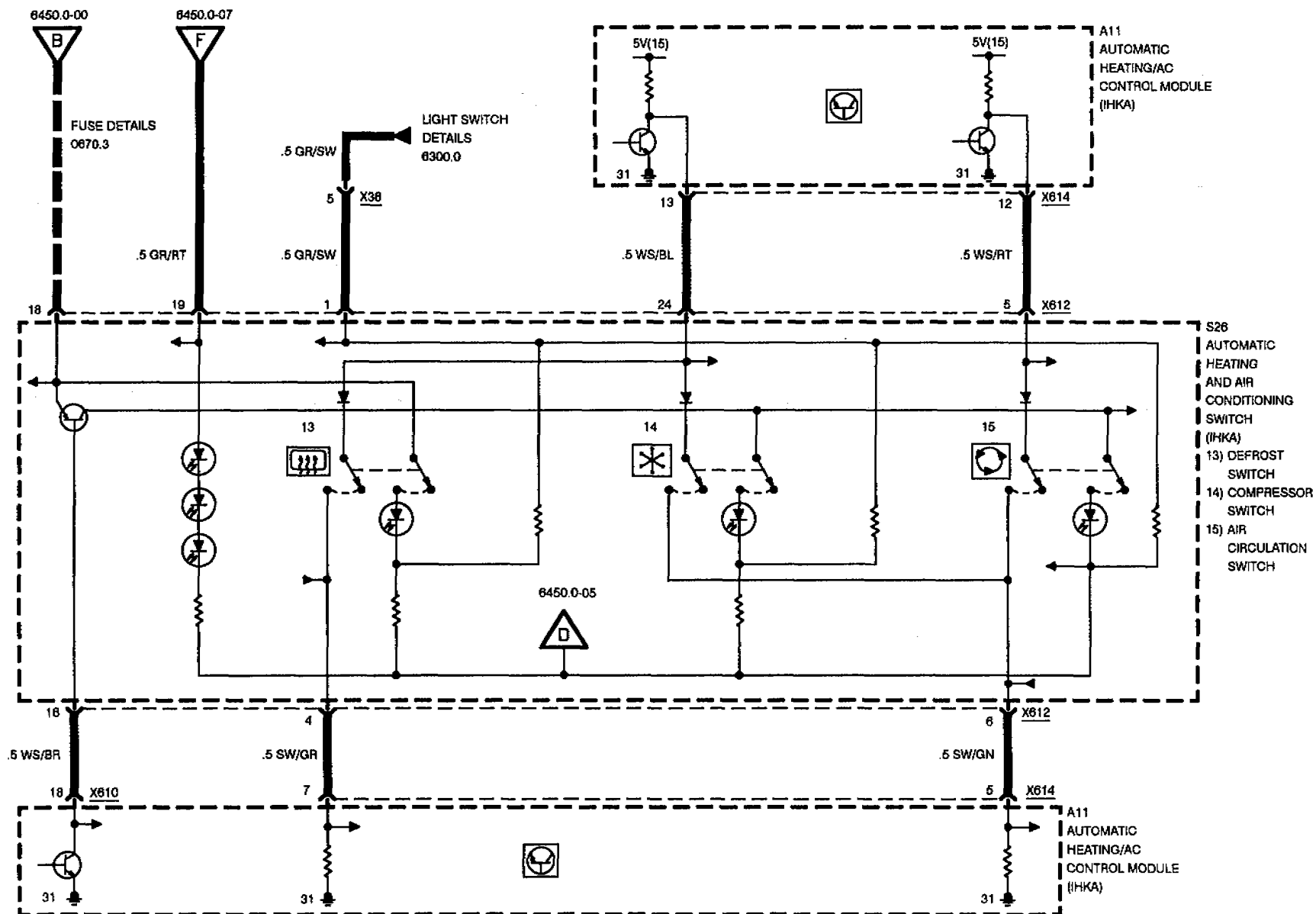
AUTOMATIC HEATING/AC CONTROL (IHKA) AIR DELIVERY





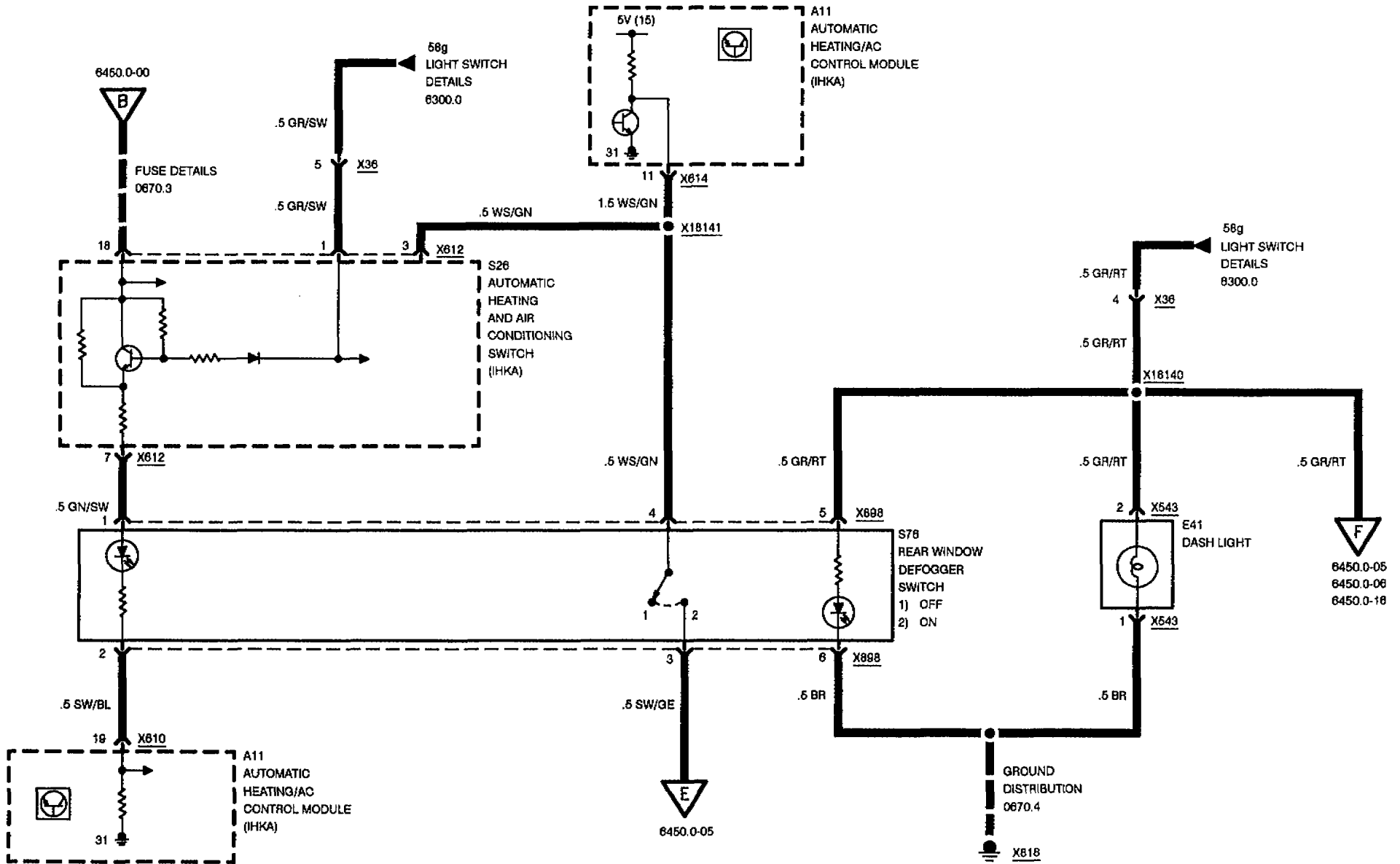
AUTOMATIC HEATING/AC CONTROL (IHKA)

AIR DELIVERY





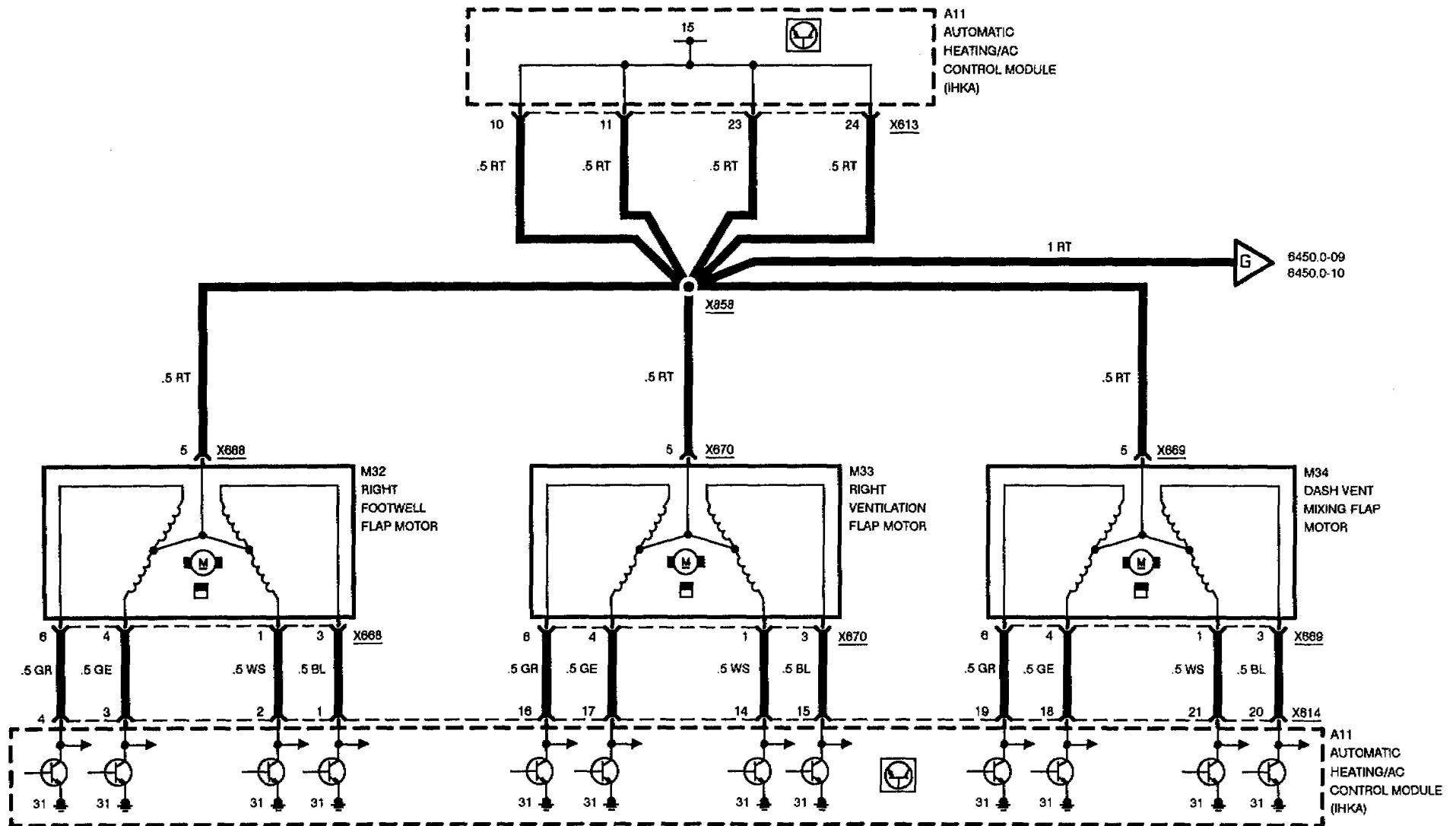
AUTOMATIC HEATING/AC CONTROL (IHKA) AIR DELIVERY





AUTOMATIC HEATING/AC CONTROL (IHKA)

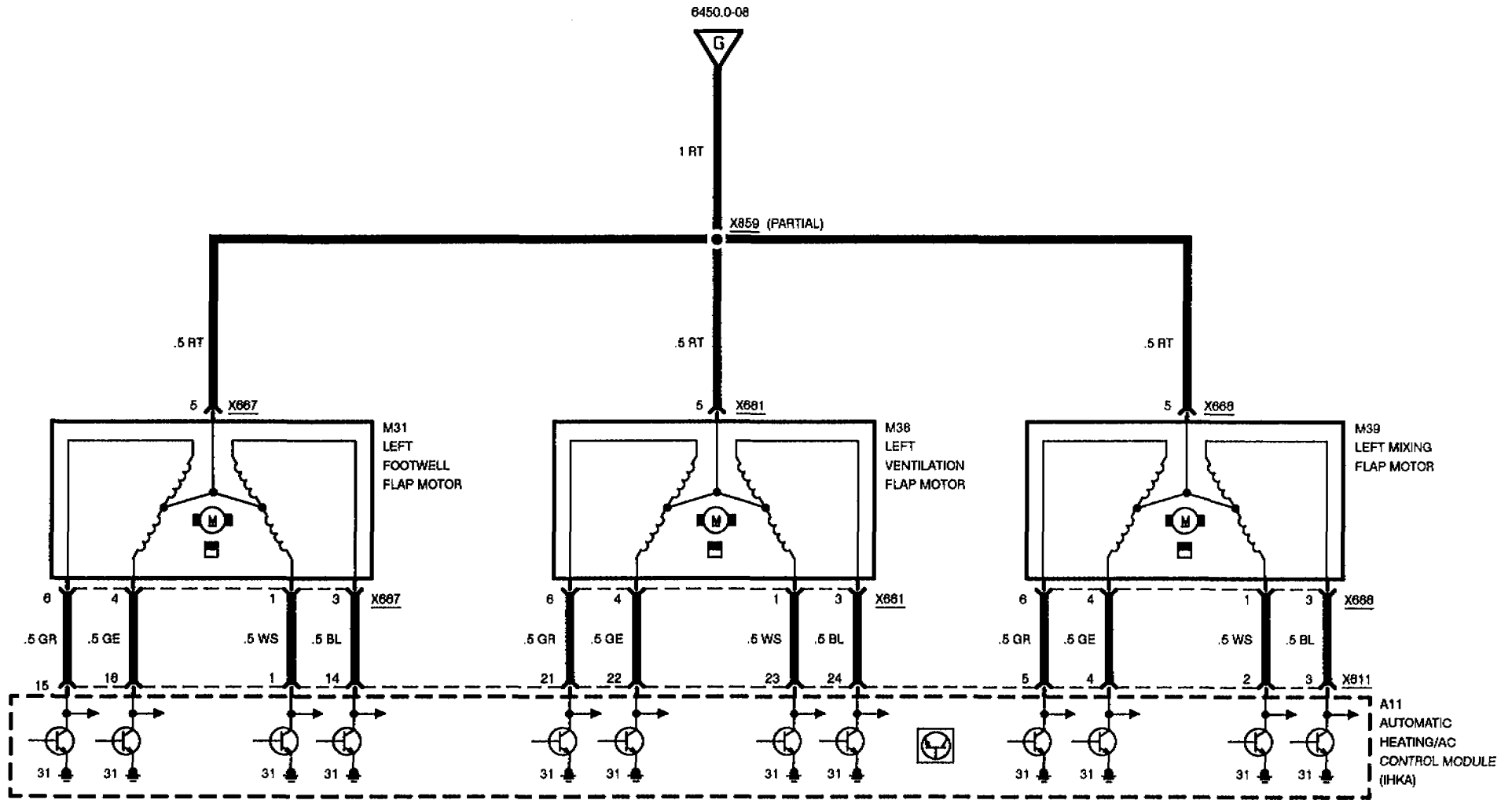
AIR DELIVERY





AUTOMATIC HEATING/AC CONTROL (IHKA)

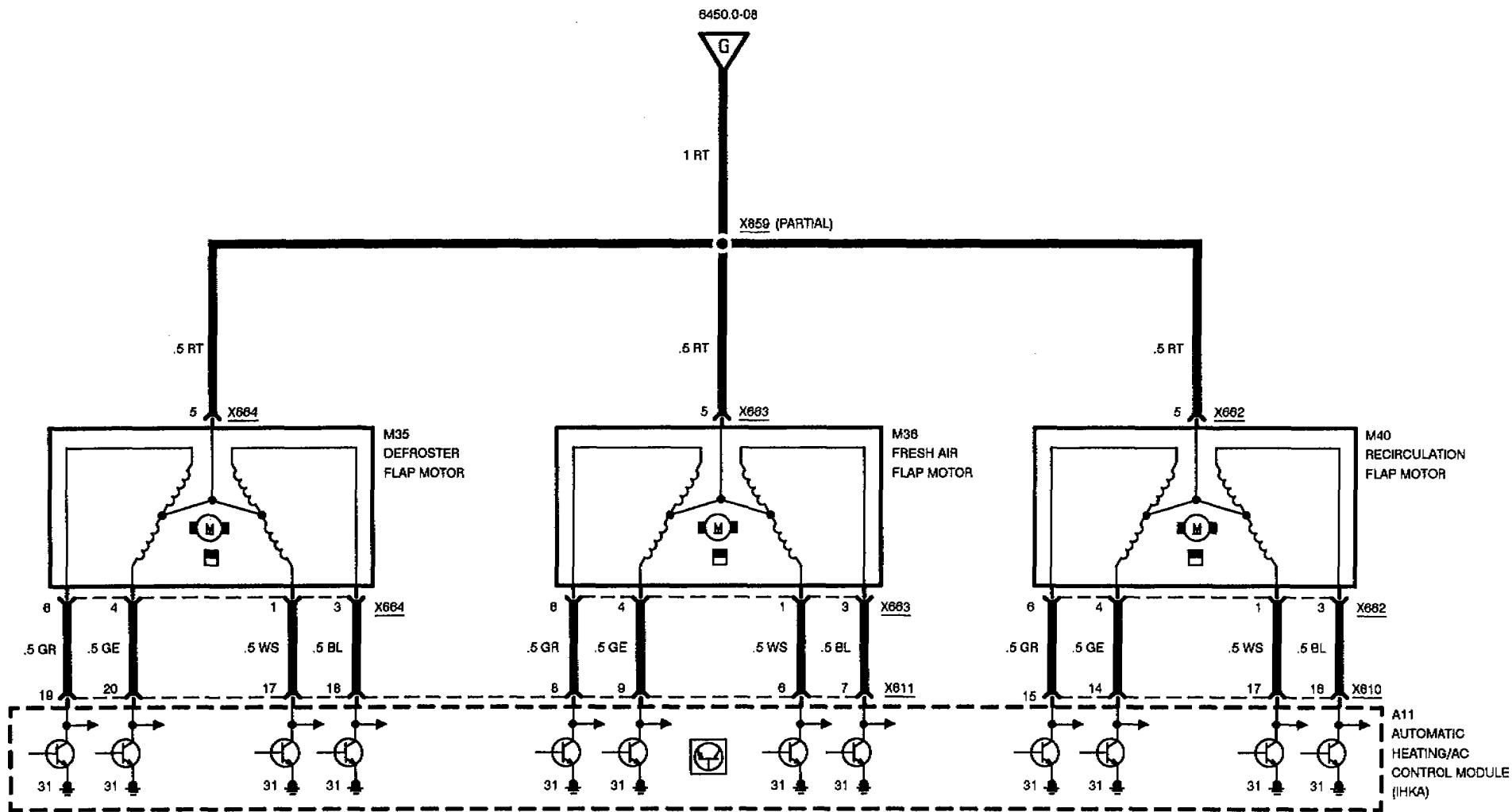
AIR DELIVERY





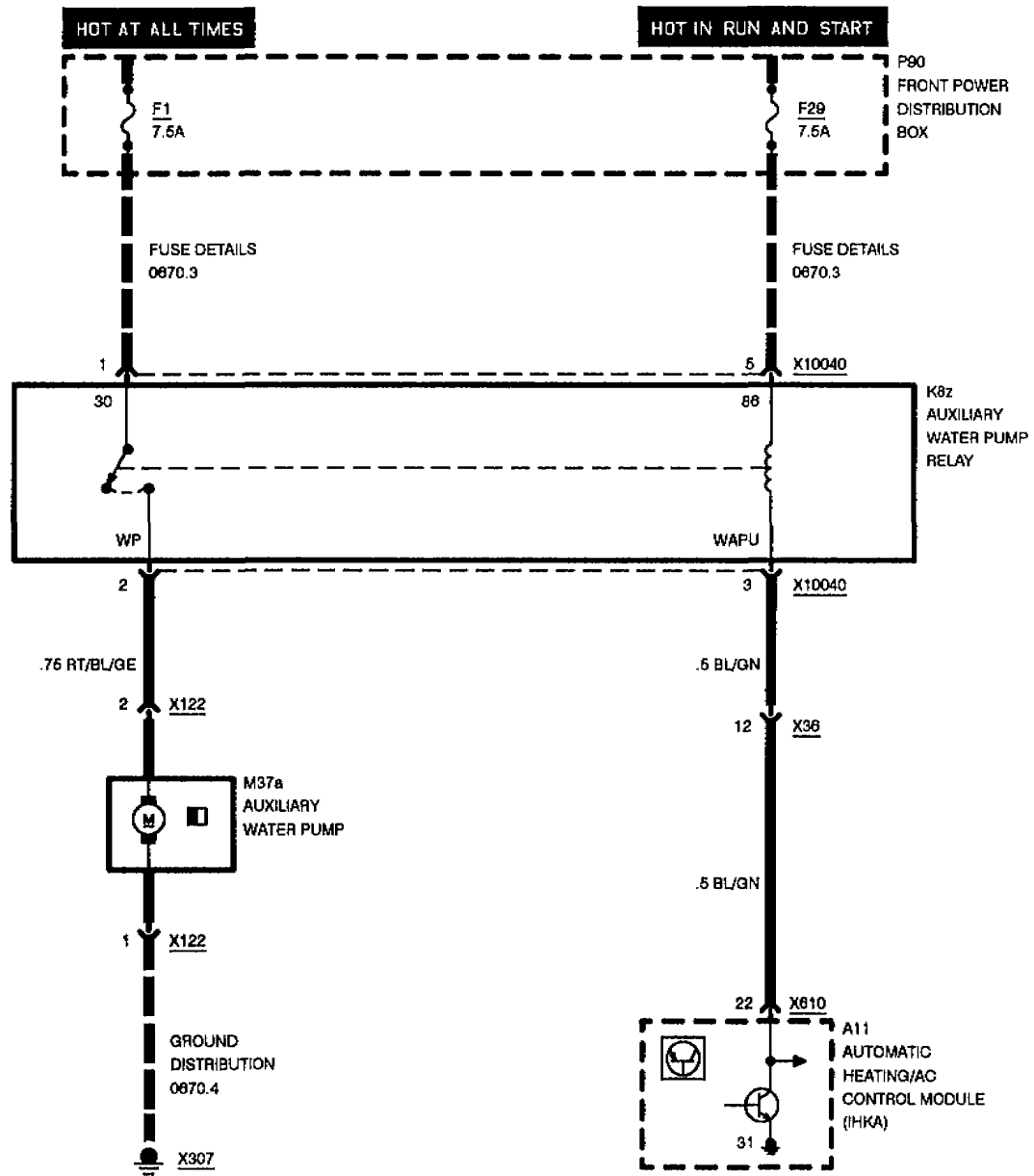
AUTOMATIC HEATING/AC CONTROL (IHKA)

AIR DELIVERY





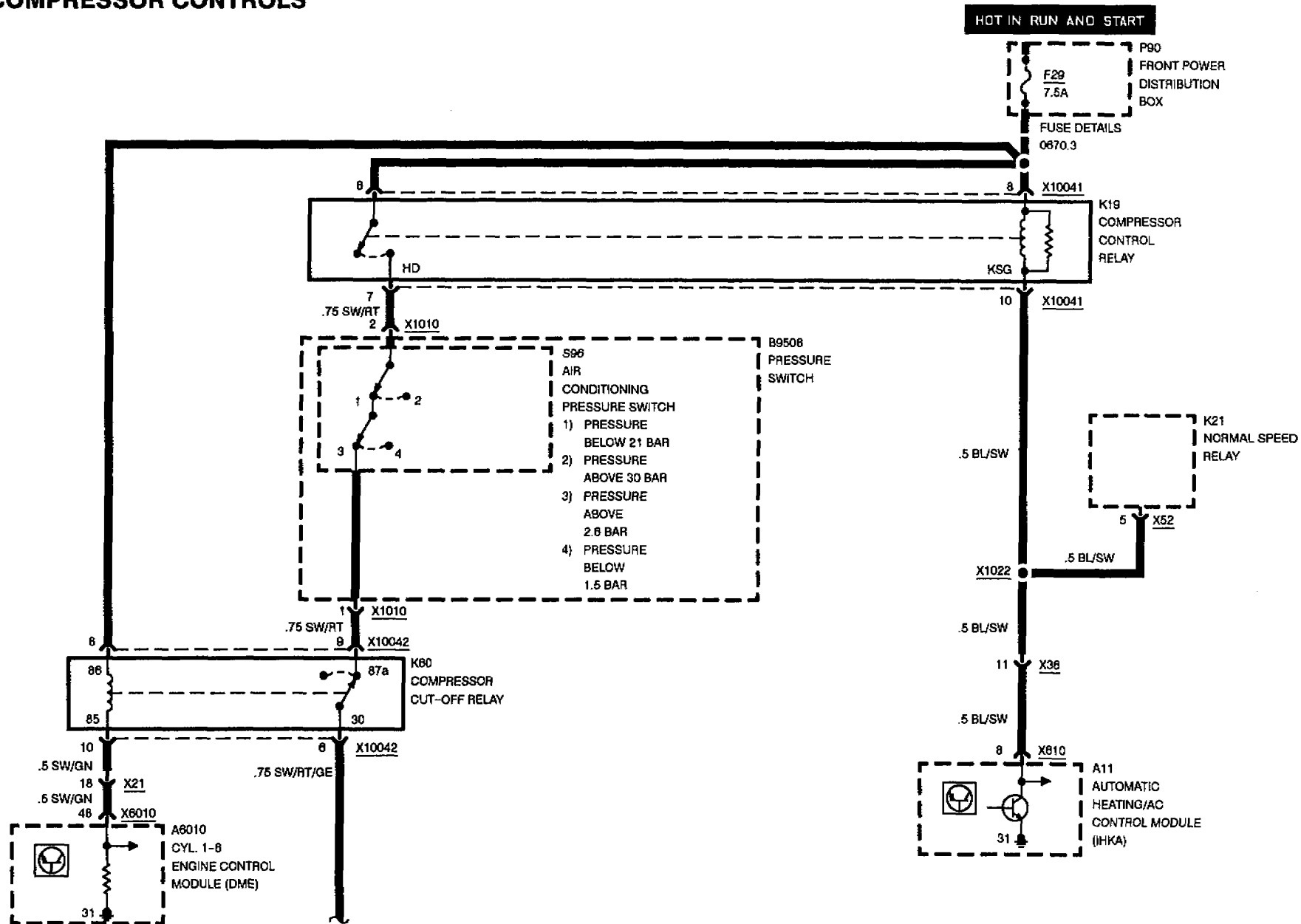
AUTOMATIC HEATING/AC CONTROL (IHKA)

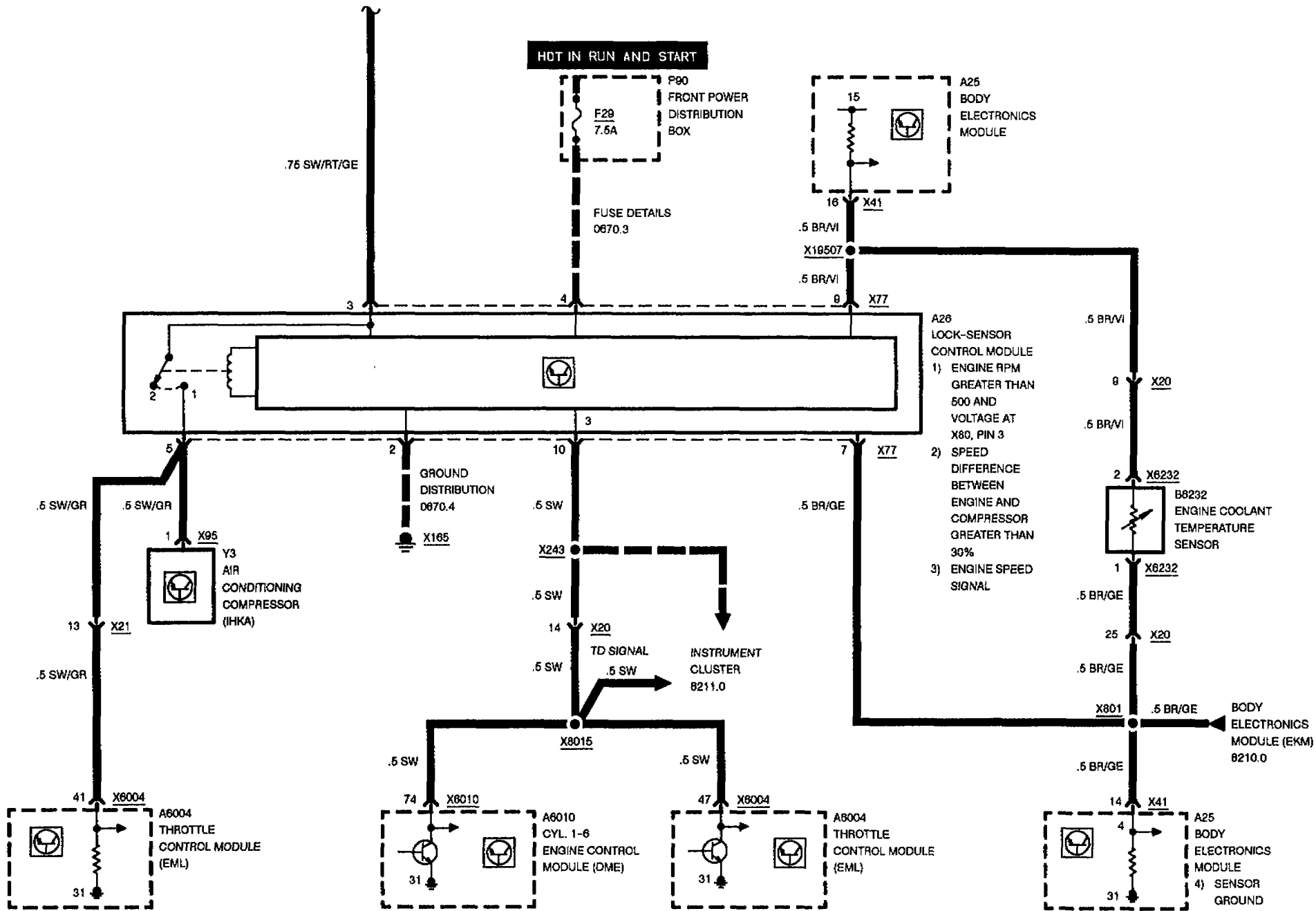




AUTOMATIC HEATING/AC CONTROL (IHKA)

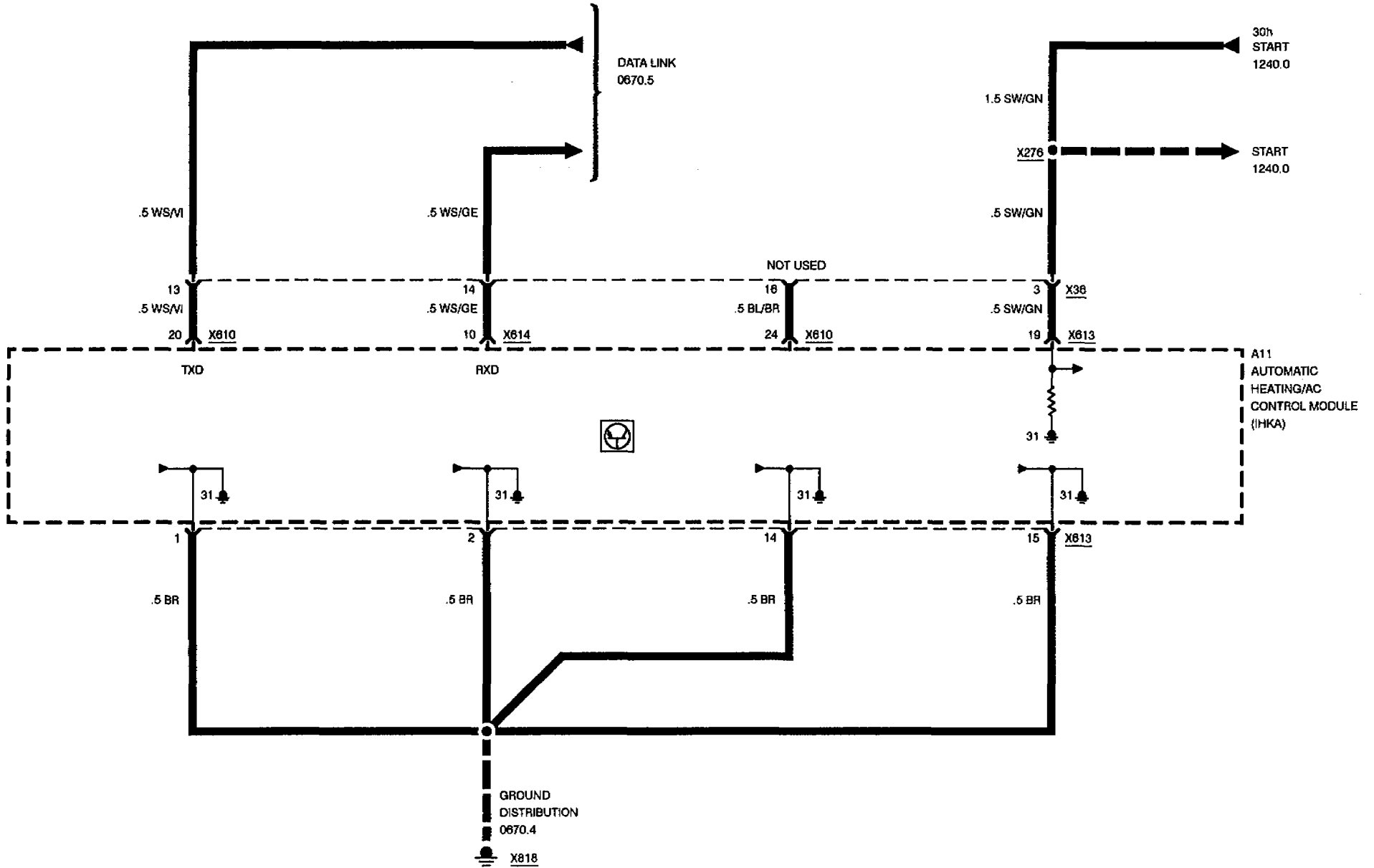
COMPRESSOR CONTROLS







AUTOMATIC HEATING/AC CONTROL (IHKA) DATA LINK AND STARTER INPUT



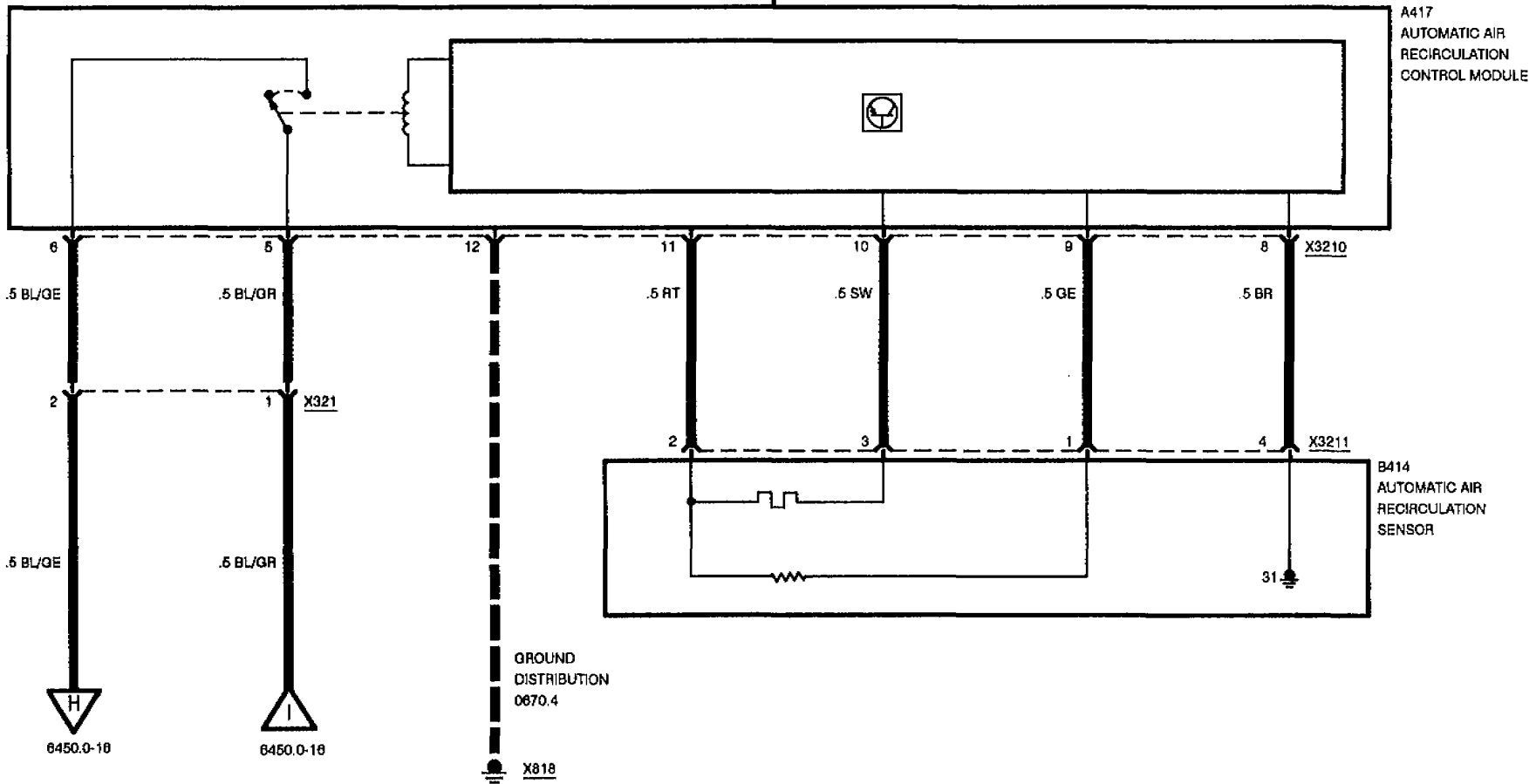
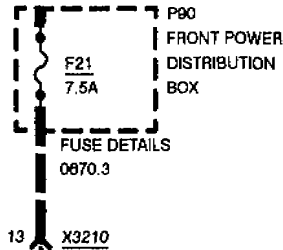


AUTOMATIC HEATING/AC CONTROL (IHKA)

AUC

CDN

HOT IN RUN AND START

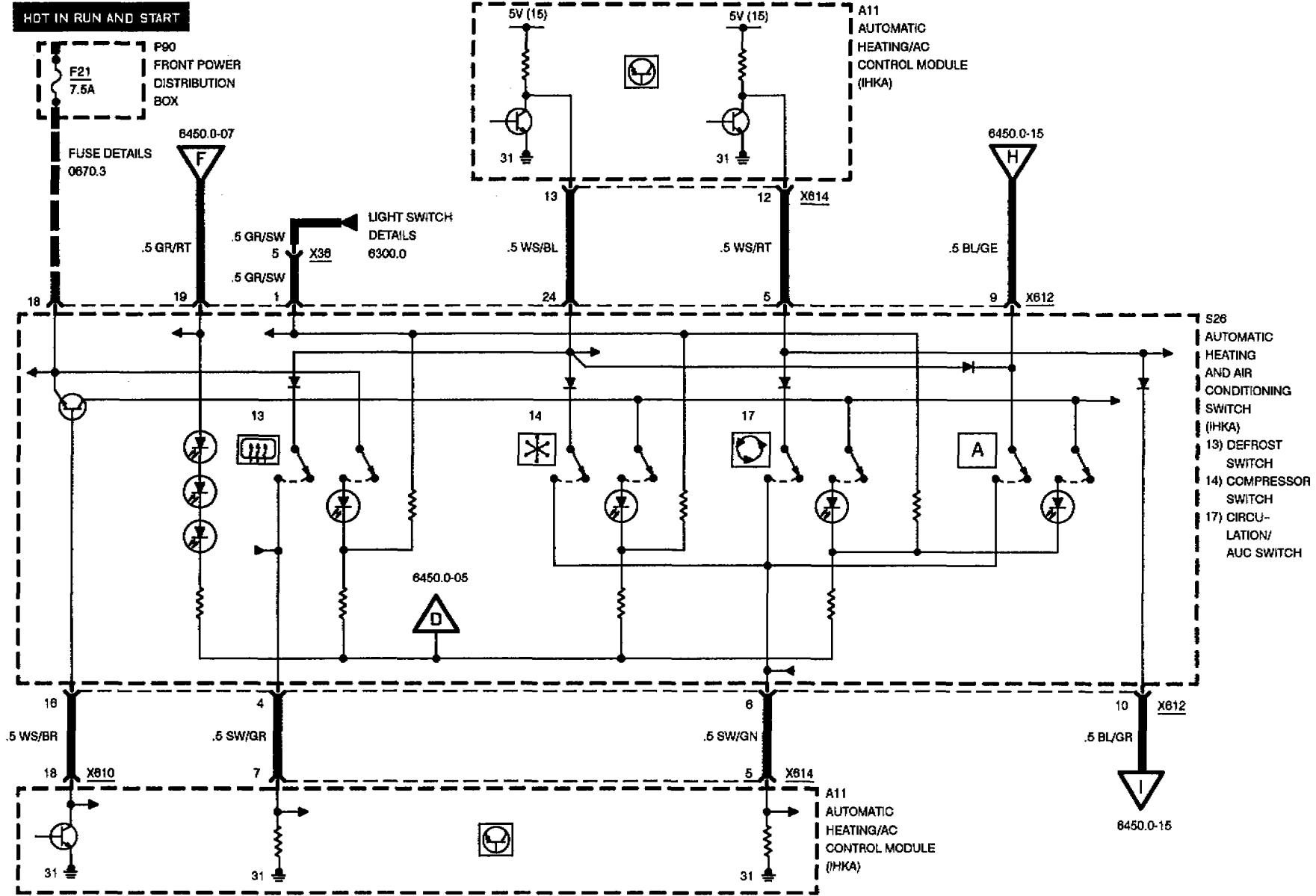




AUTOMATIC HEATING/AC CONTROL (IHKA)



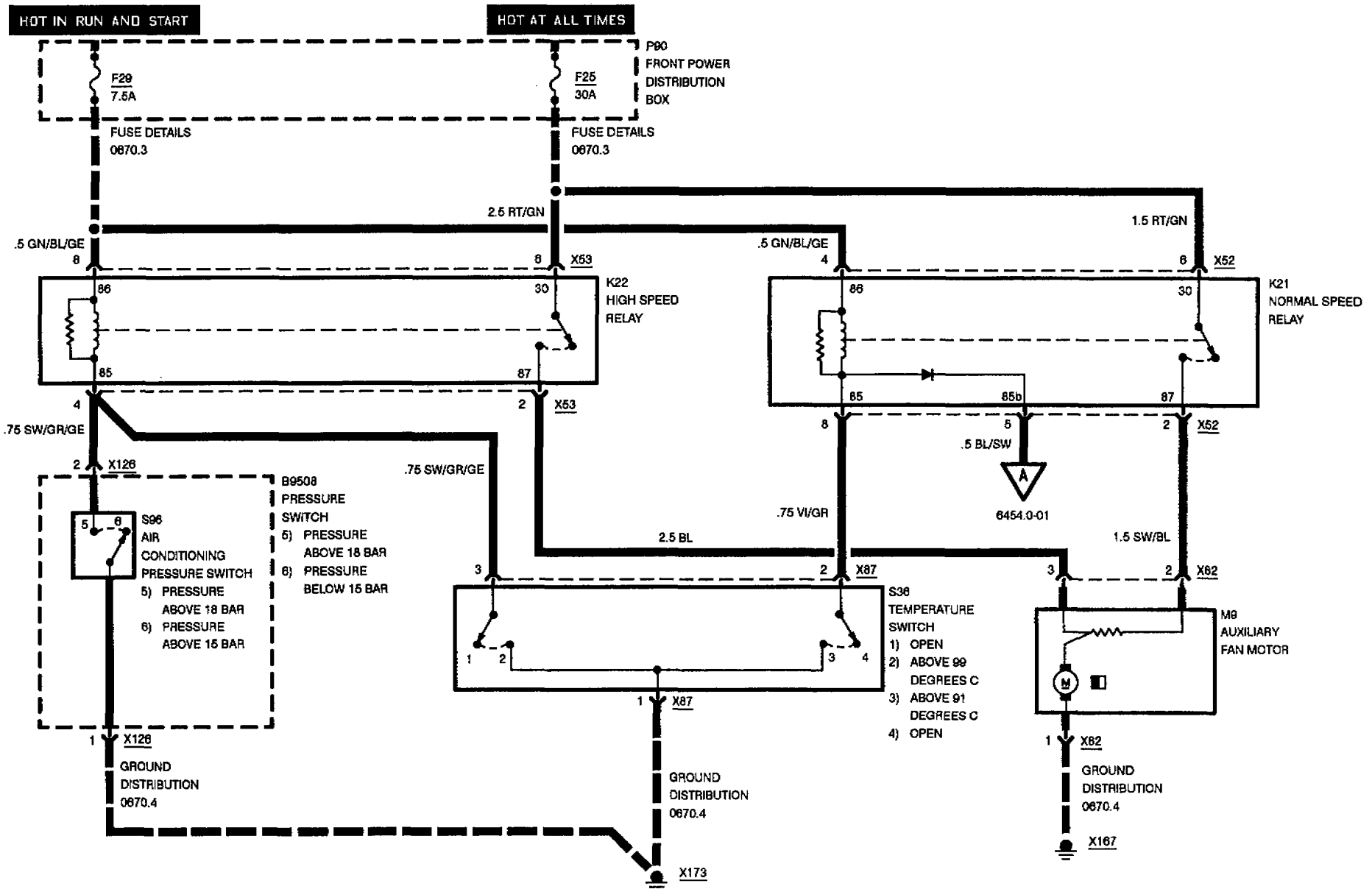
AUC





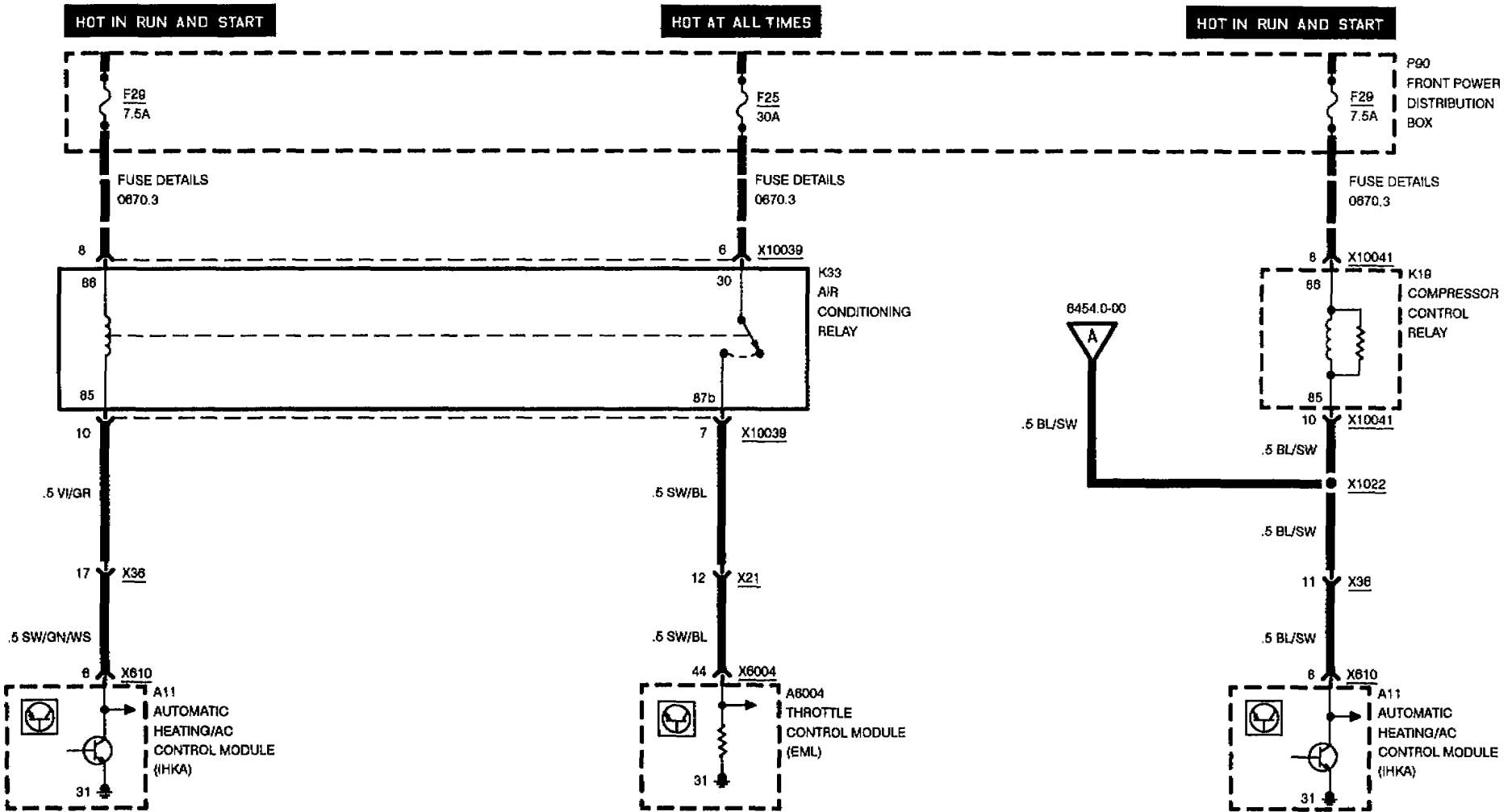
6454.0

AUXILIARY FAN





AUXILIARY FAN

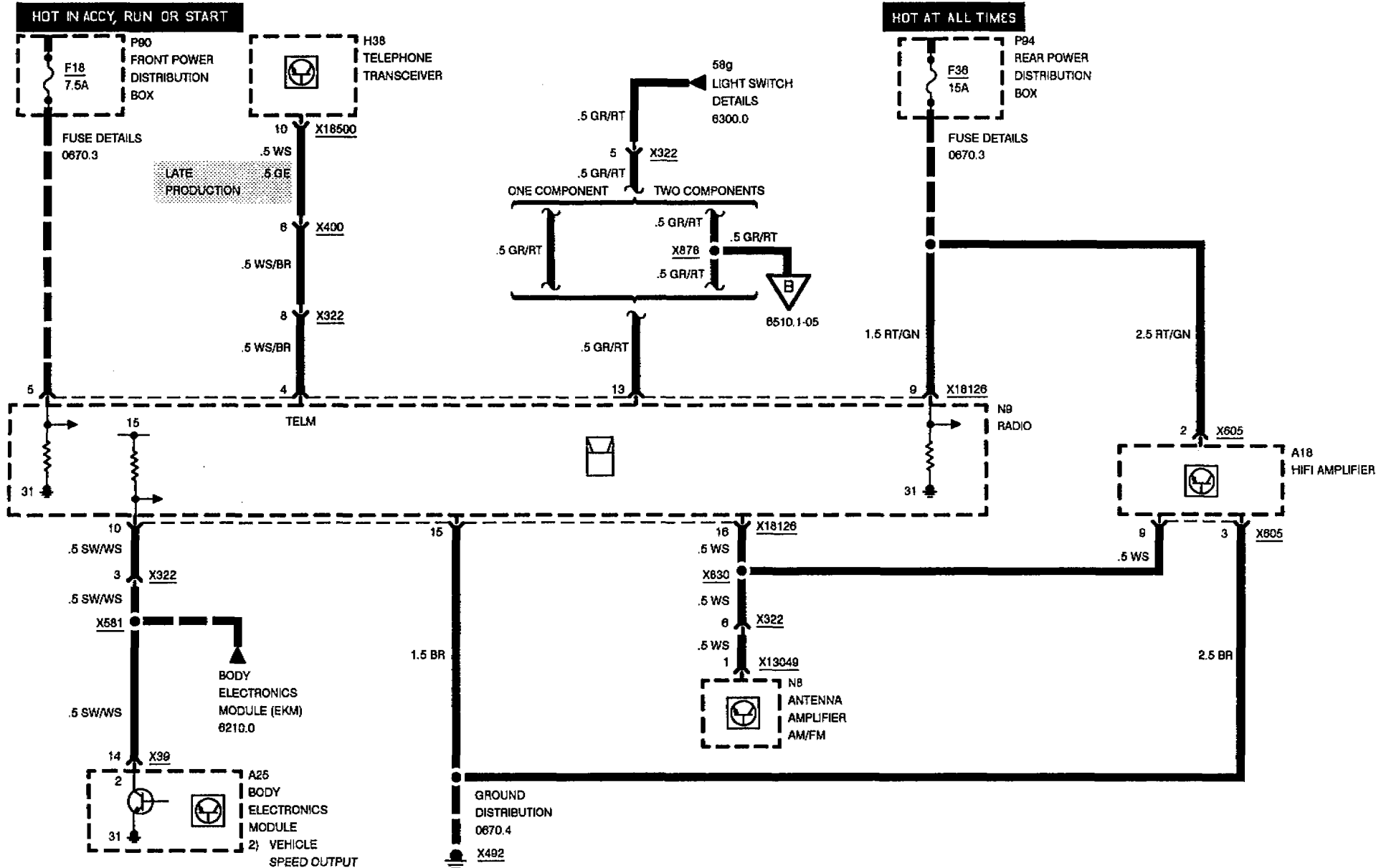




RADIO/HIFI

HIFI, 10-SPEAKER SYSTEM

EARLY PRODUCTION



12/93

6510.1-00

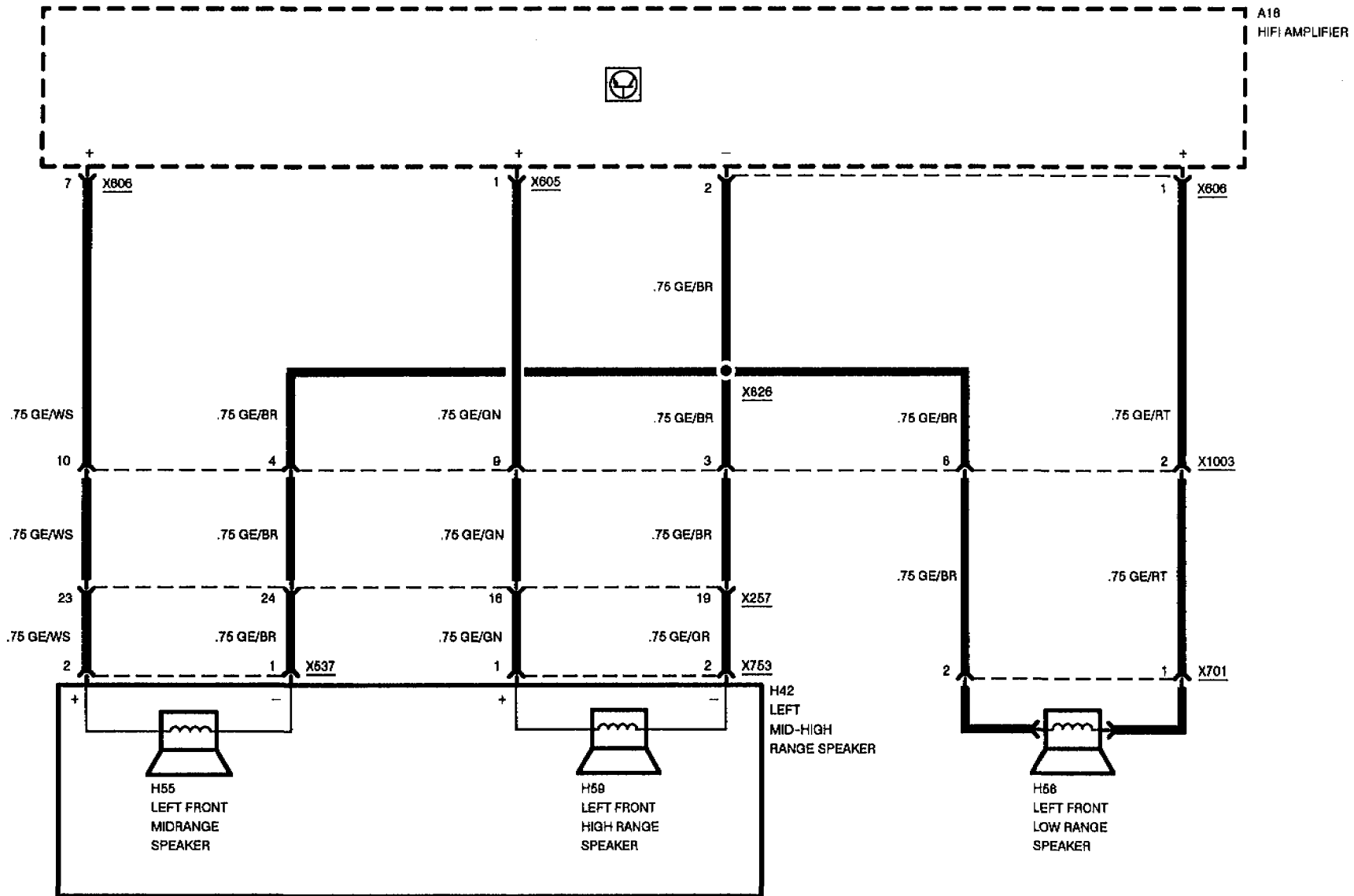
1993



RADIO/HIFI

HIFI, 10-SPEAKER SYSTEM

EARLY PRODUCTION

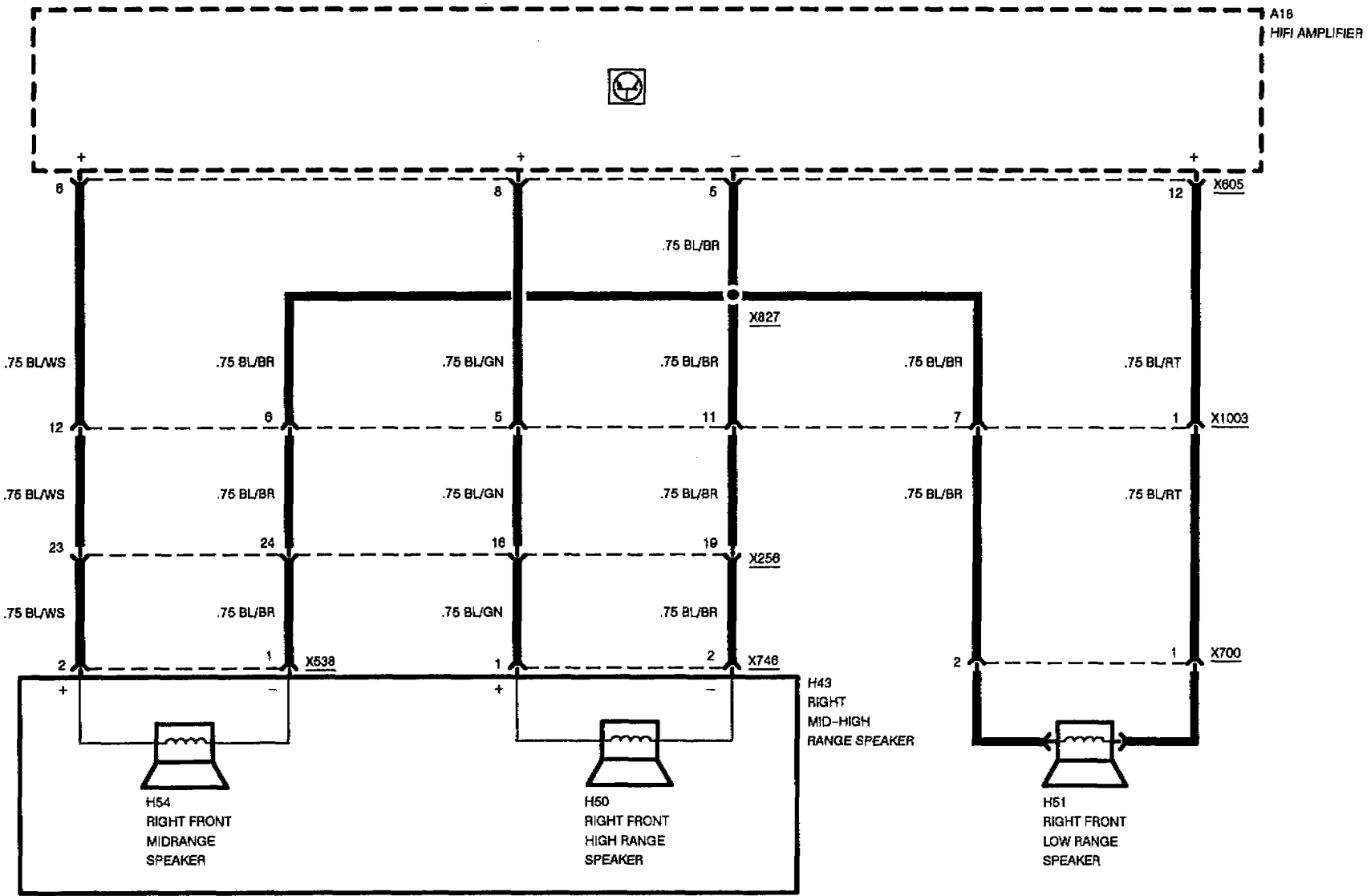




RADIO/HIFI

HIFI, 10-SPEAKER SYSTEM

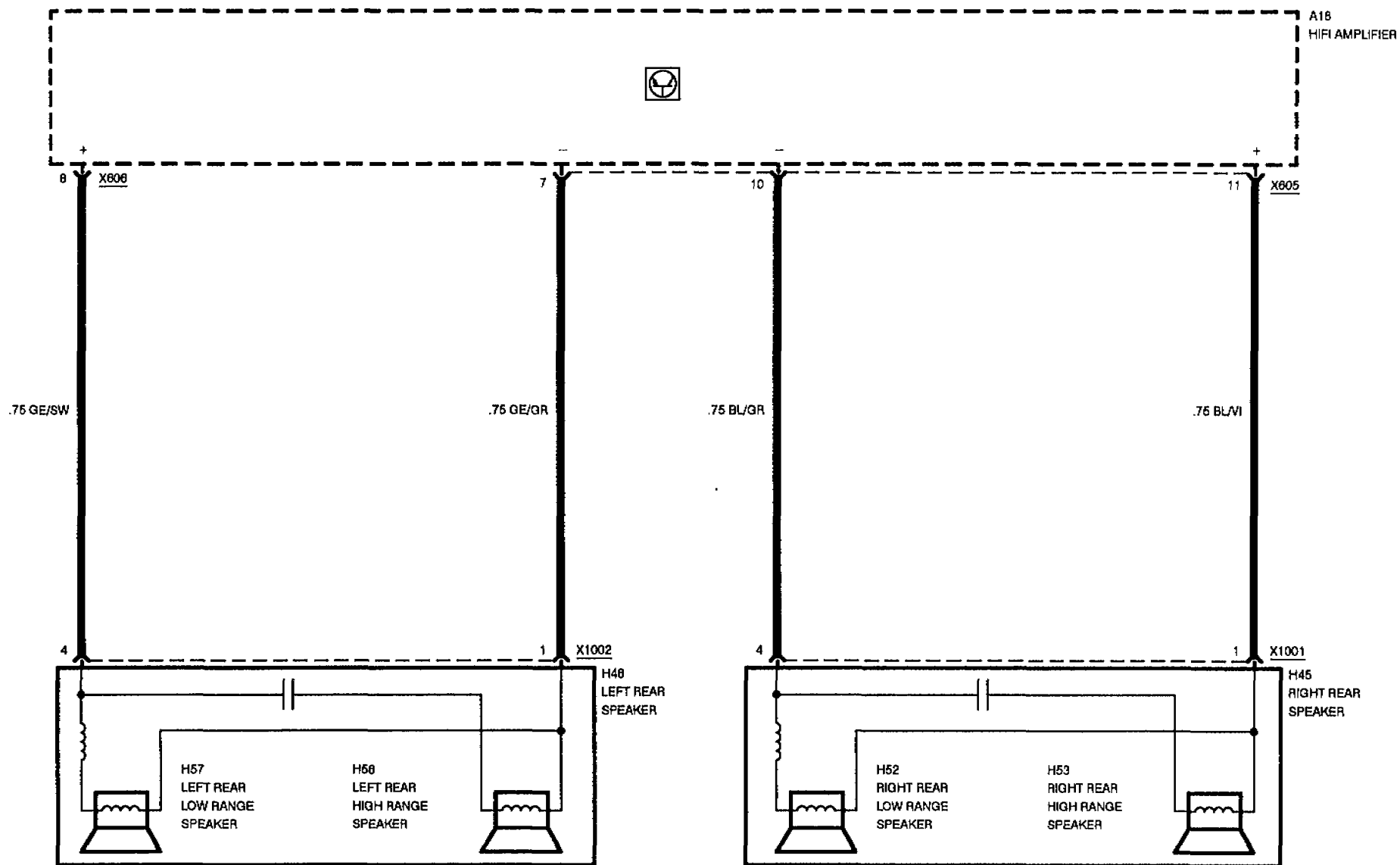
EARLY PRODUCTION





RADIO/HIFI HIFI, 10-SPEAKER SYSTEM

EARLY PRODUCTION



12/93

6510.1-03

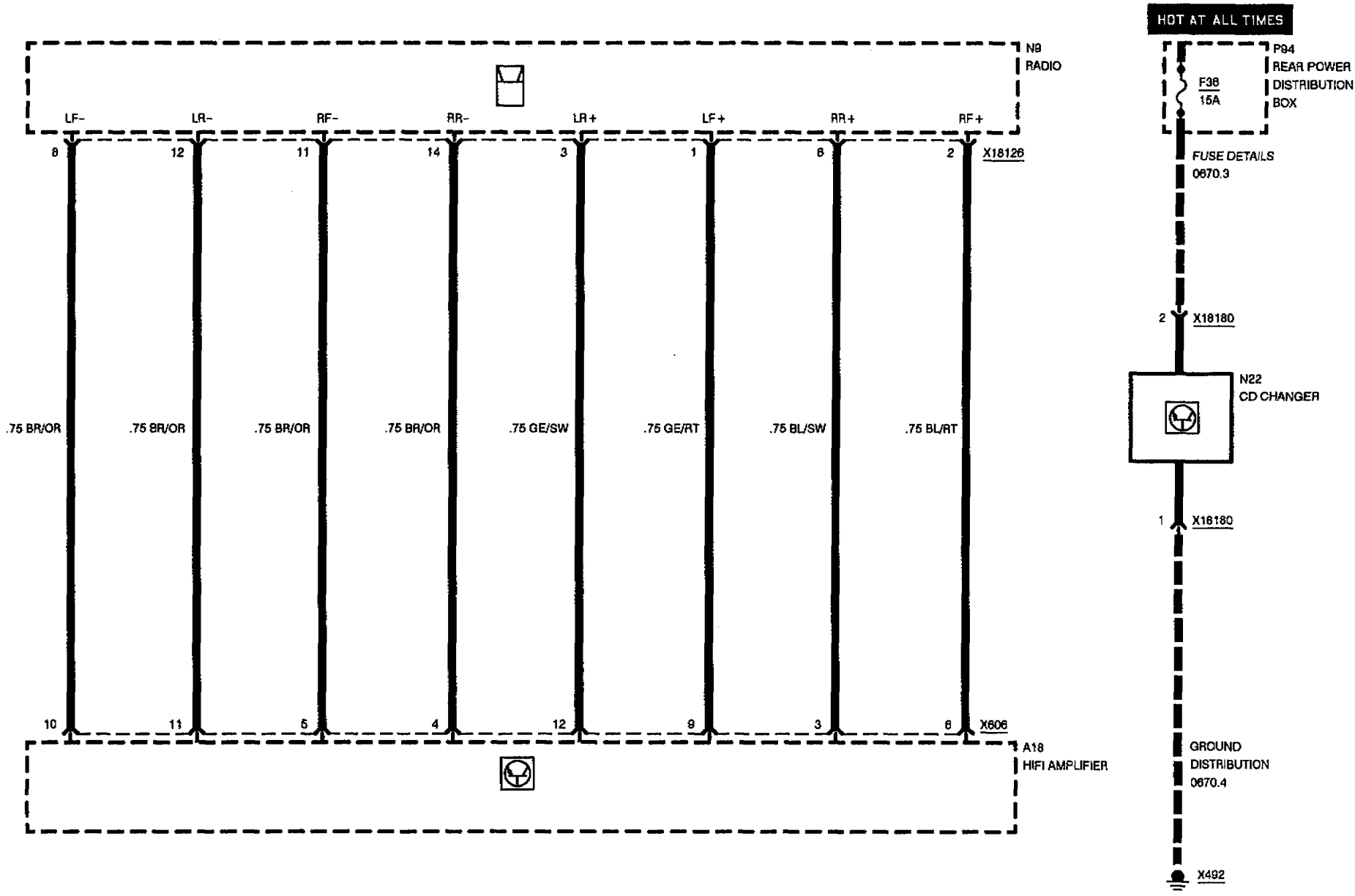
1993



RADIO/HIFI

HIFI, 10-SPEAKER SYSTEM (ONE COMPONENT)

EARLY PRODUCTION



12/93

6510.1-04

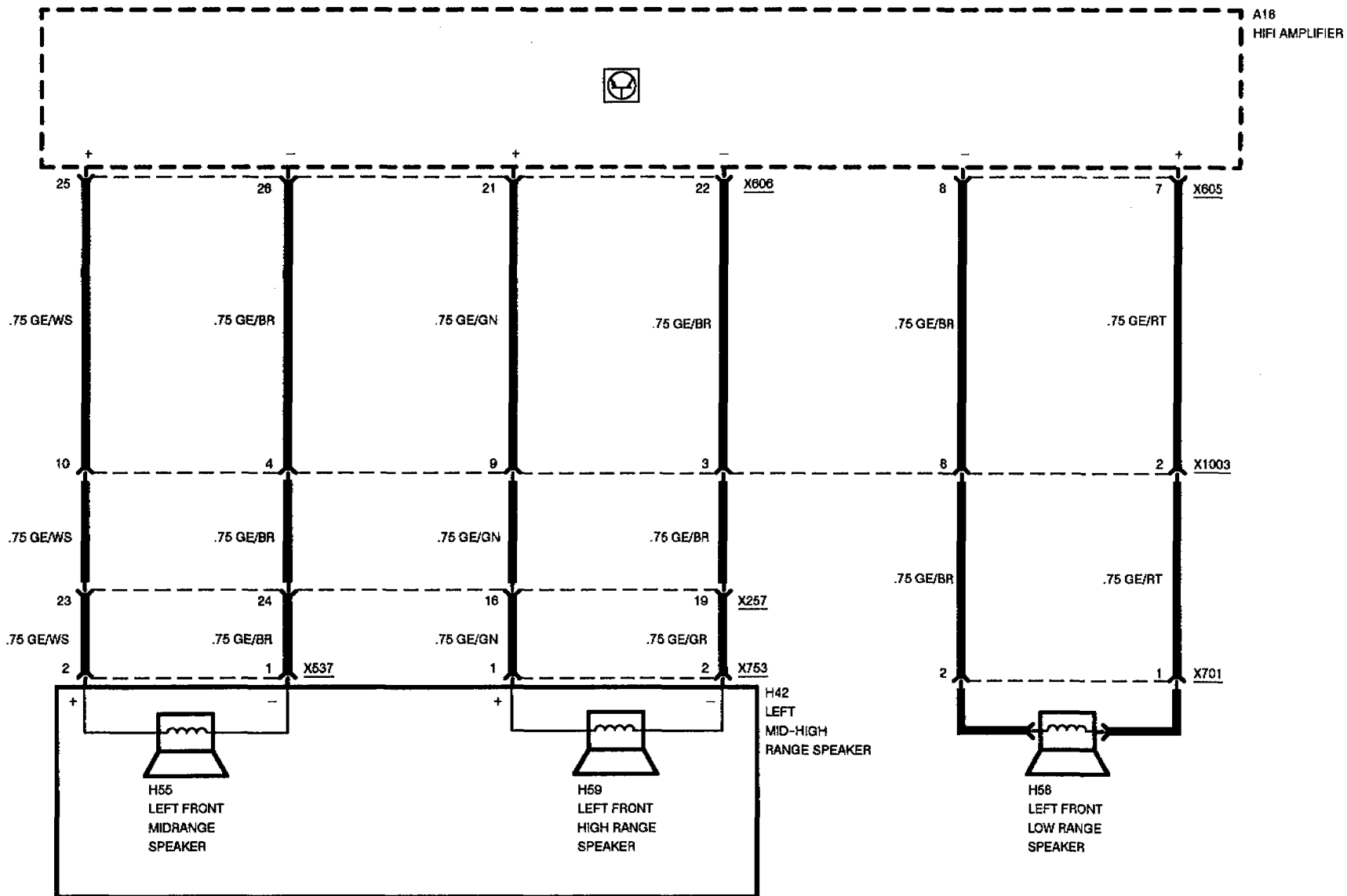
1993



RADIO/HIFI

HIFI, 10-SPEAKER SYSTEM

LATE PRODUCTION

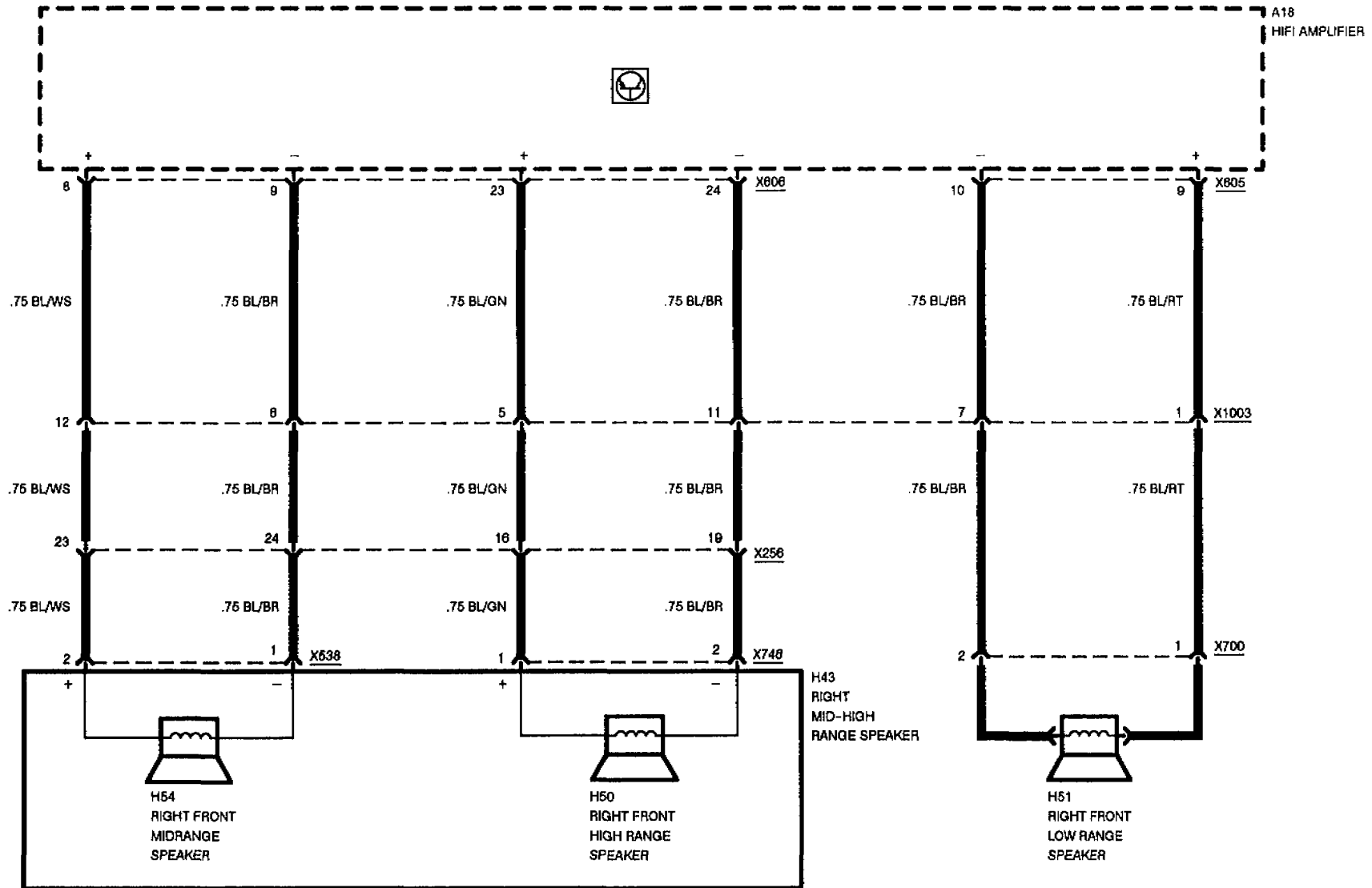




RADIO/HIFI

HIFI, 10-SPEAKER SYSTEM

LATE PRODUCTION

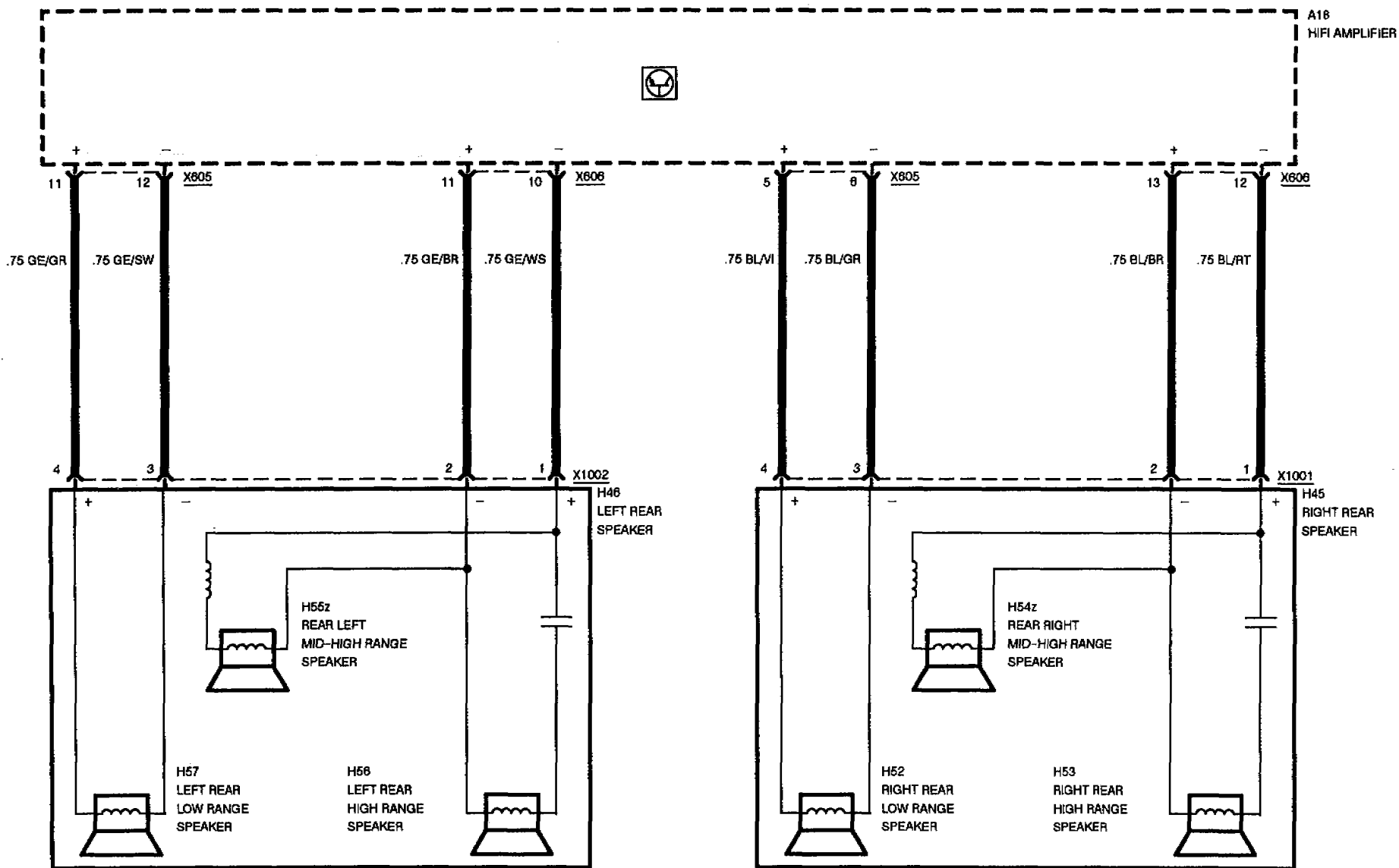




RADIO/HIFI

HIFI, 10-SPEAKER SYSTEM

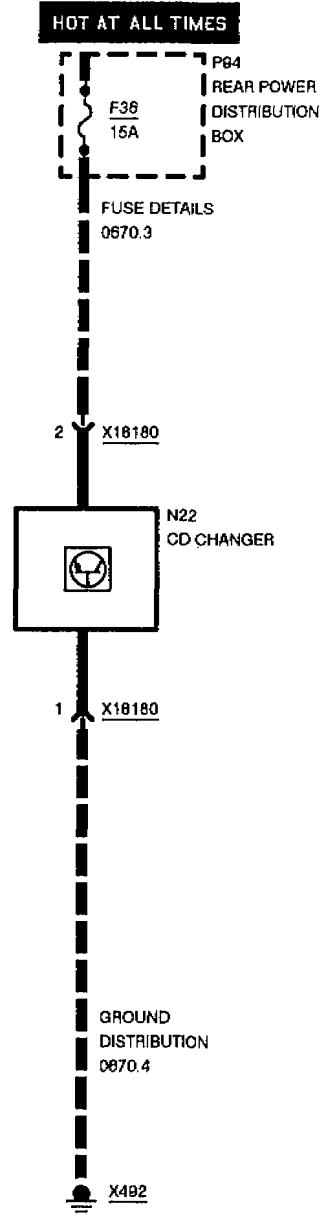
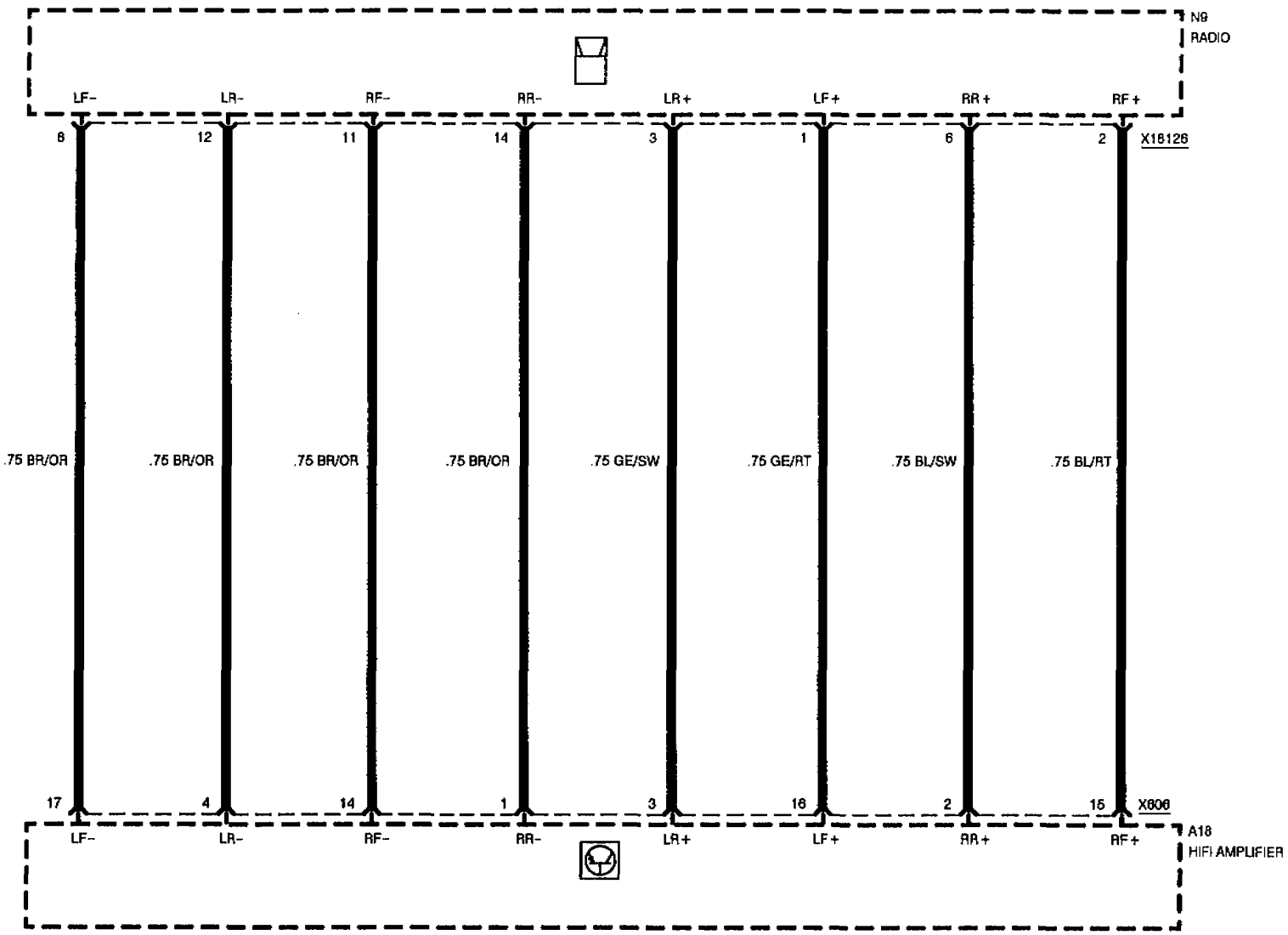
LATE PRODUCTION





RADIO/HIFI
HIFI, 10-SPEAKER SYSTEM (ONE COMPONENT)

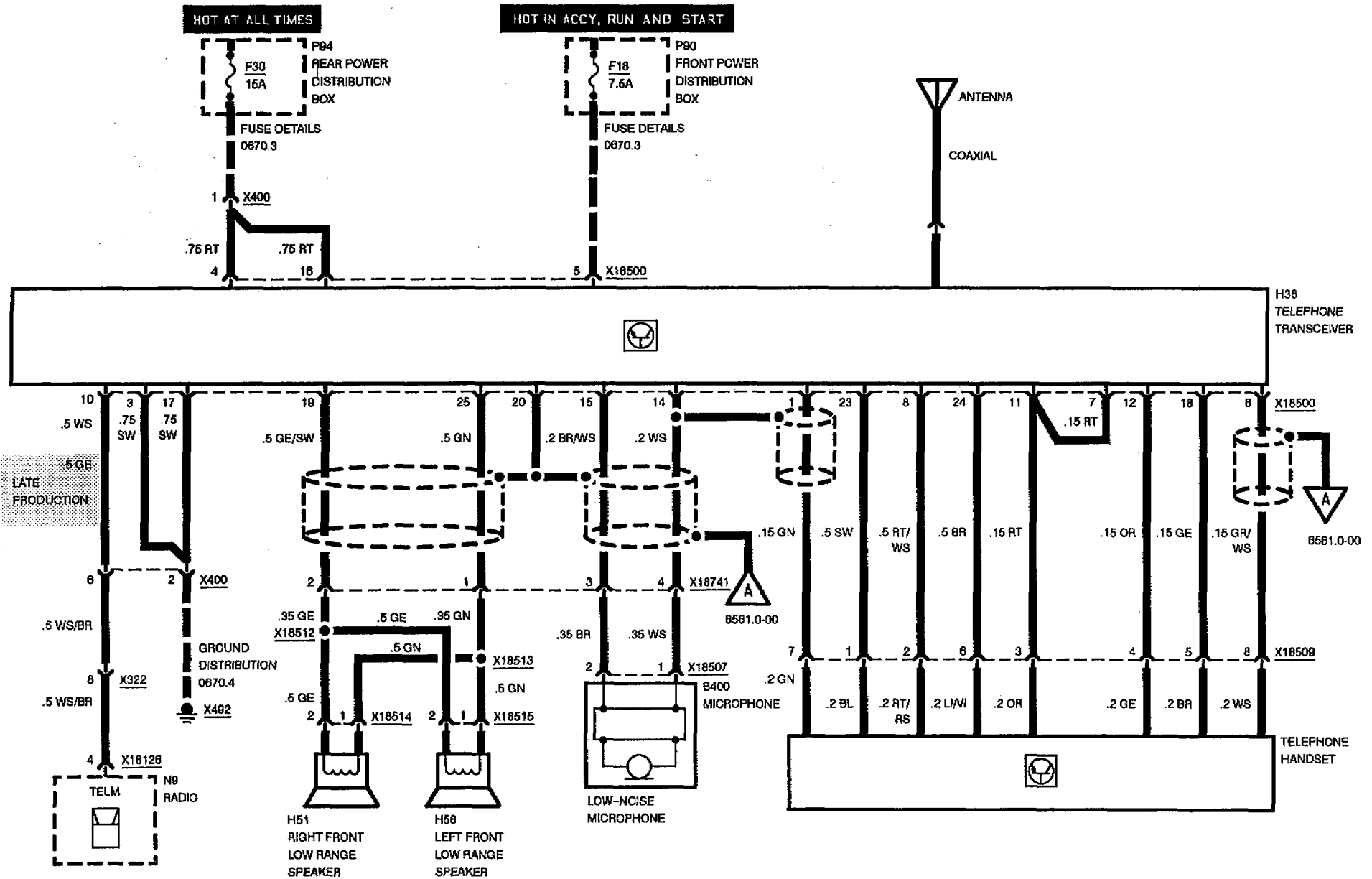
LATE PRODUCTION





CELLULAR TELEPHONE (PROVISIONS)

AMPS SYSTEM

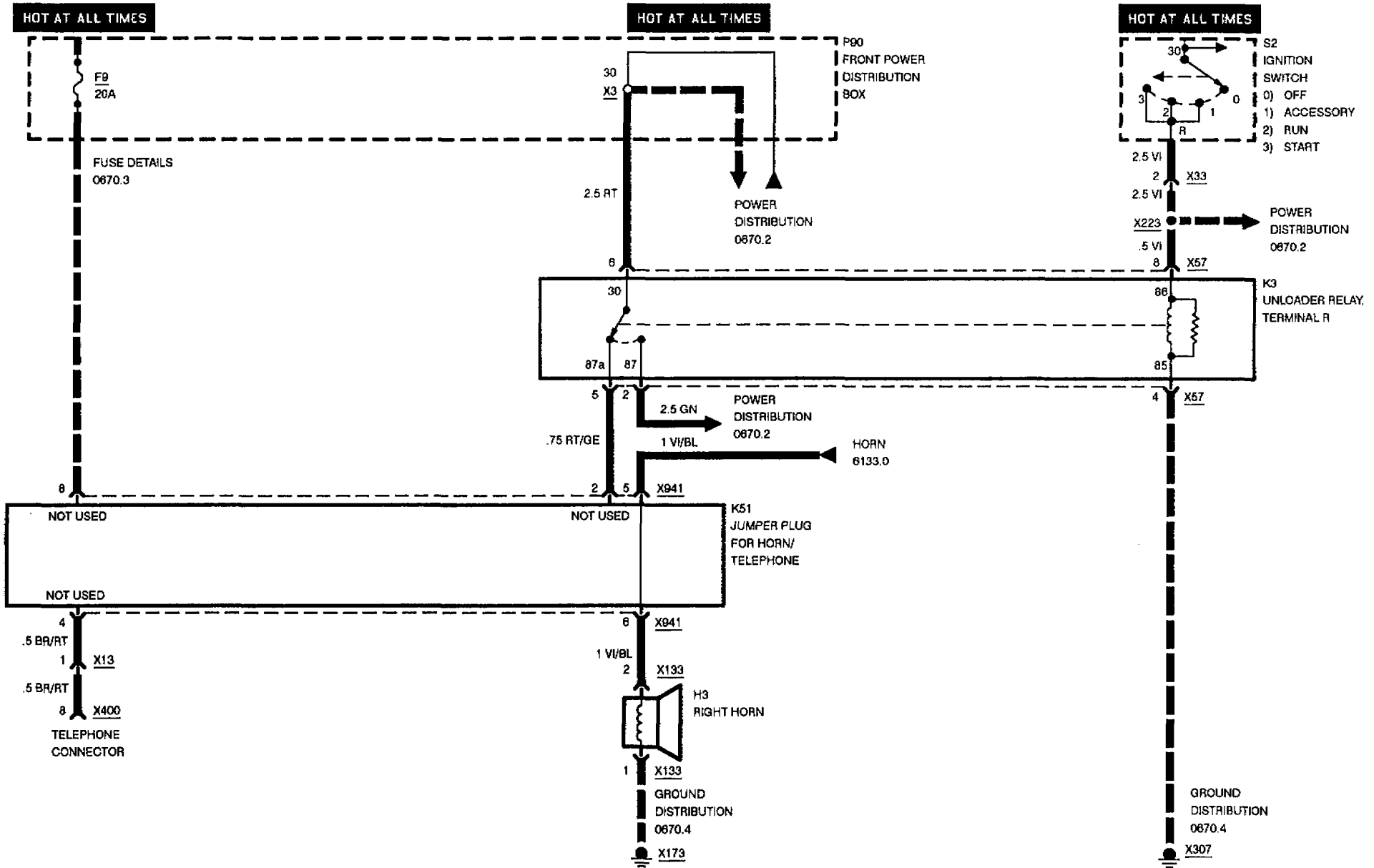


09/92

6561.0-00

1993

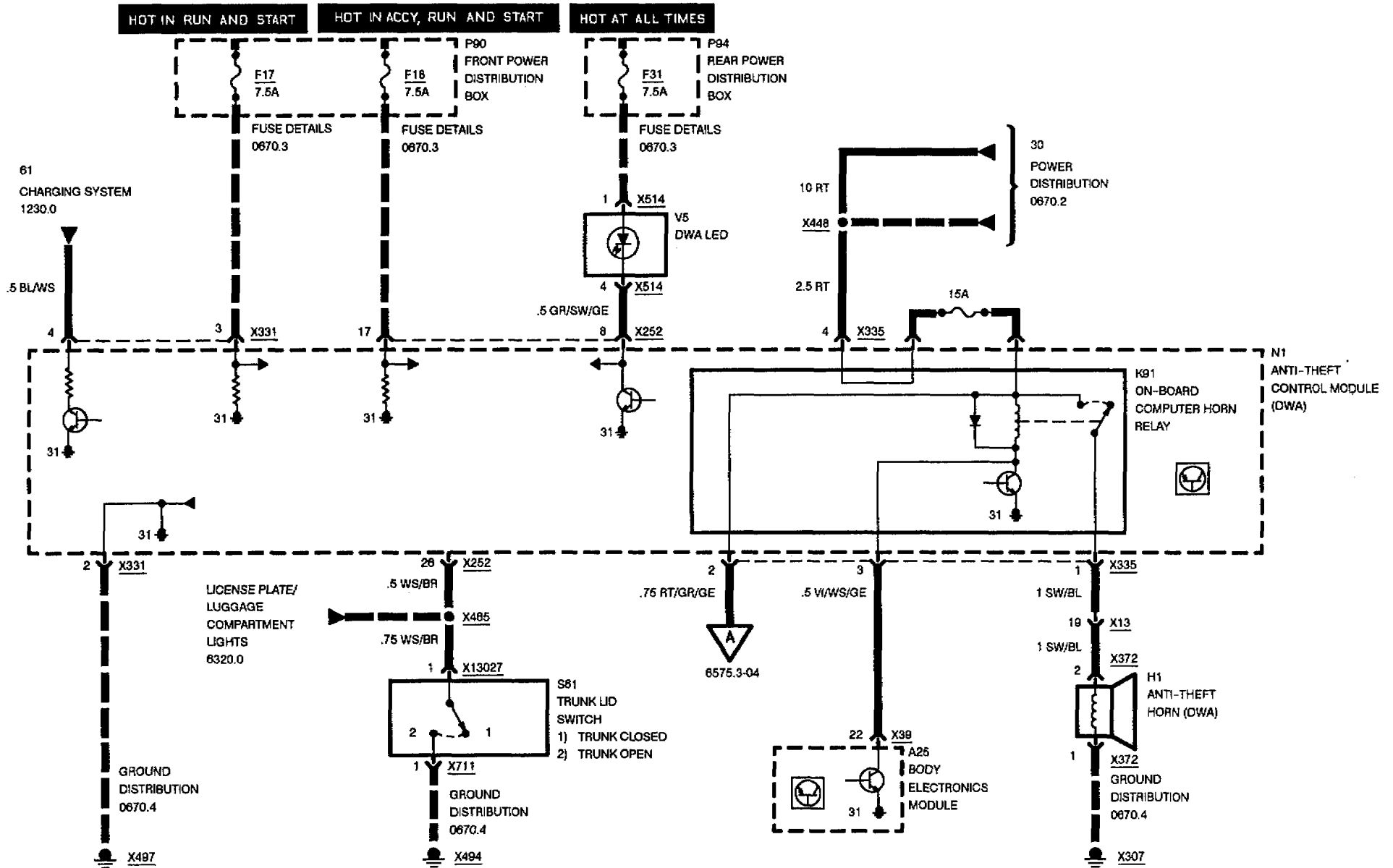
CELLULAR TELEPHONE (PROVISIONS)





ANTI-THEFT SYSTEM III (DWA III)

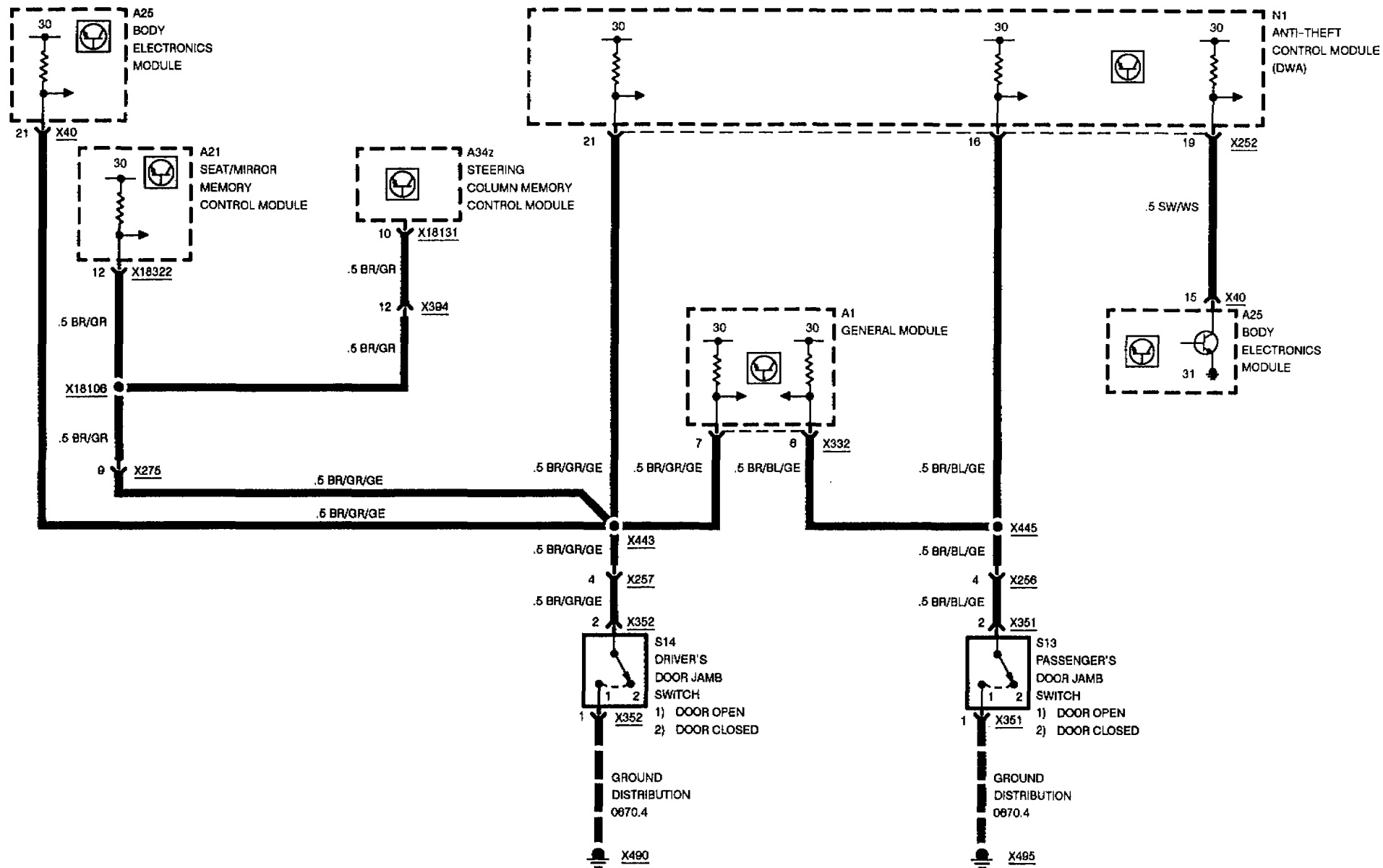
POWER, ENGINE RUNNING INPUT, TRUNK INPUT, ANTI-THEFT HORN (DWA)





ANTI-THEFT SYSTEM III (DWA III)

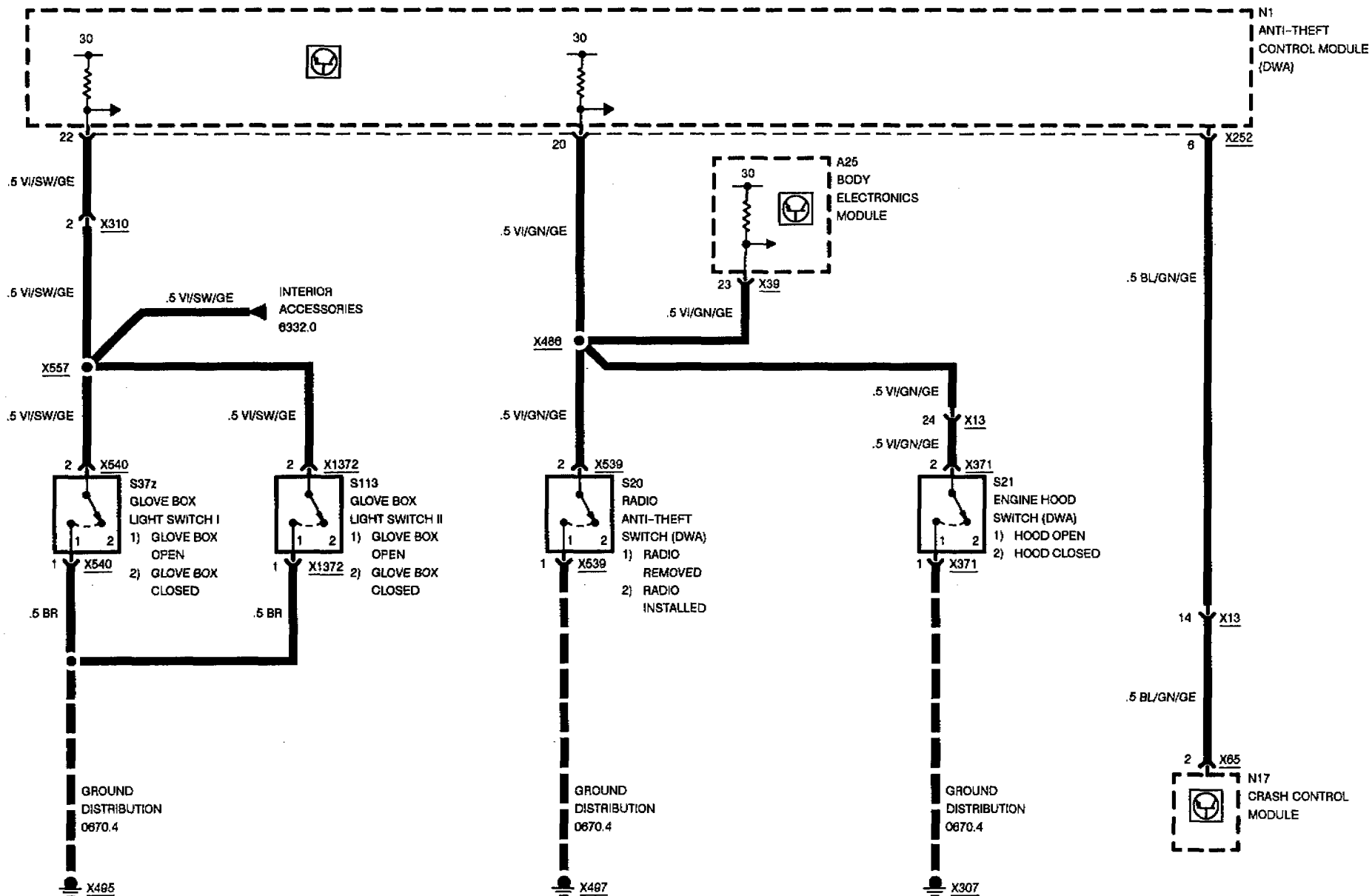
FRONT DOOR CONTACTS





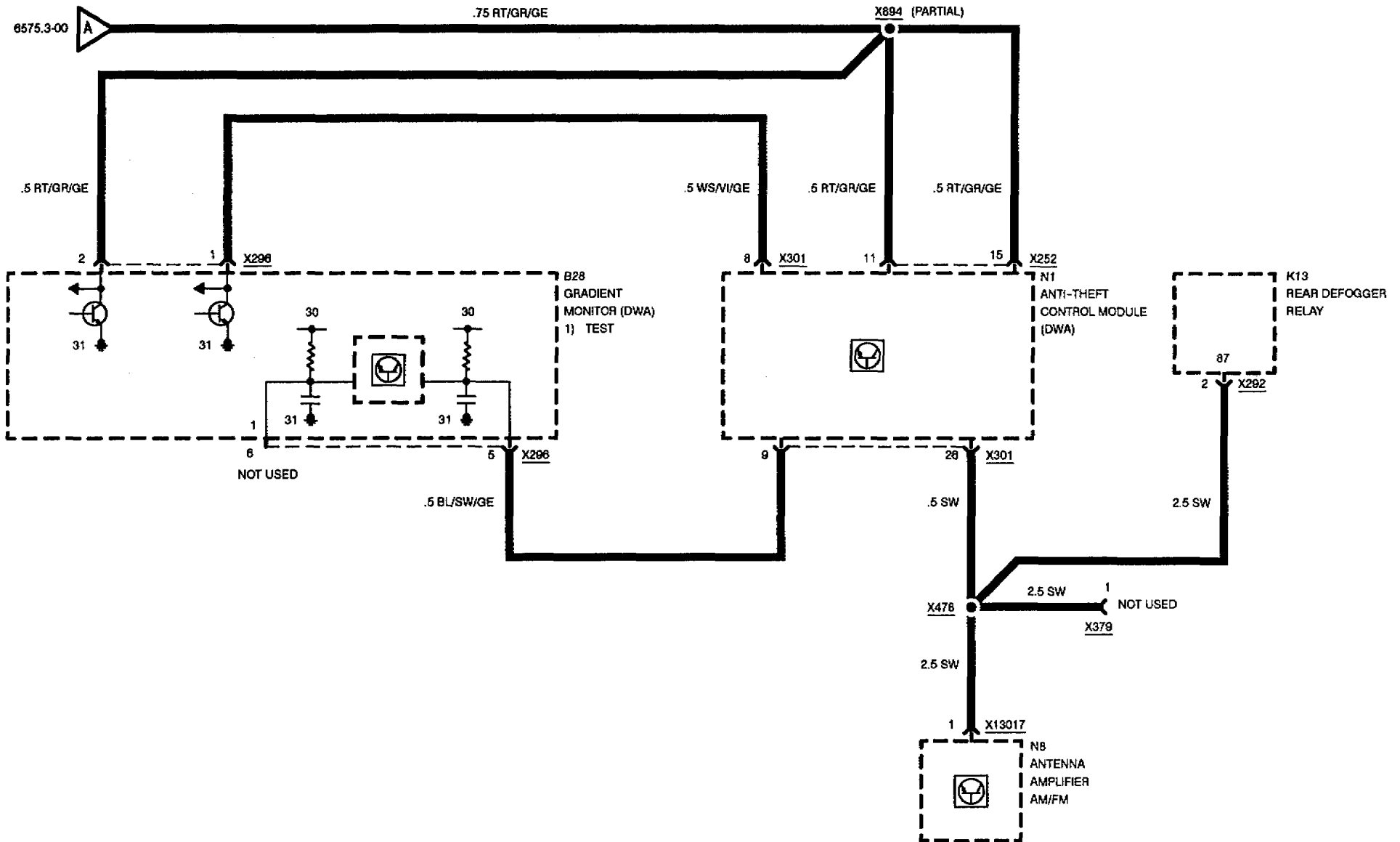
ANTI-THEFT SYSTEM III (DWA III)

GLOVE BOX, RADIO, ENGINE HOOD INPUTS AND VISUAL ALARM



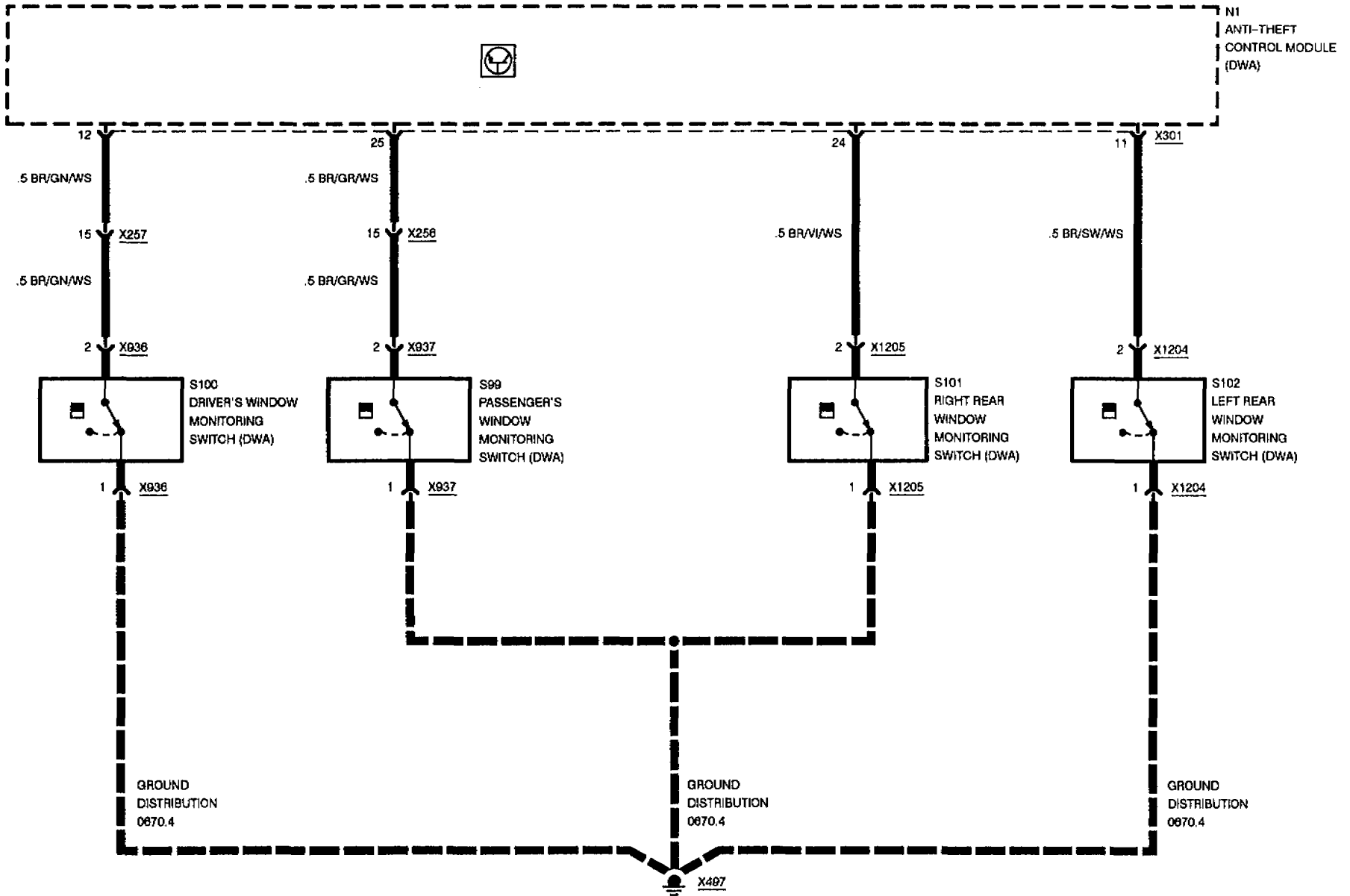


ANTI-THEFT SYSTEM III (DWA III) GRADIENT MONITOR AND DATA LINK



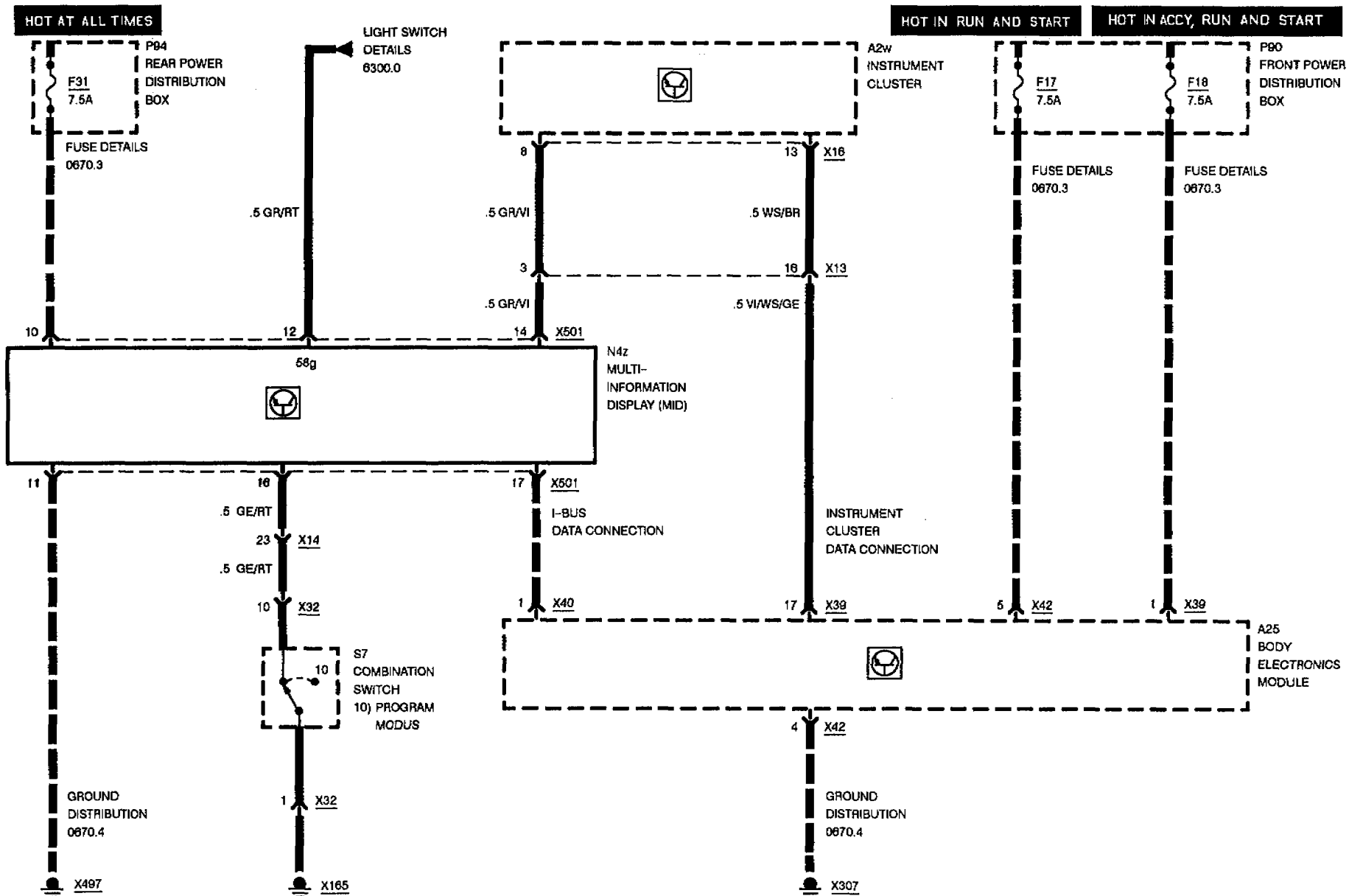


ANTI-THEFT SYSTEM III (DWA III) FRONT AND REAR WINDOW SWITCHES





MULTI- INFORMATION DISPLAY (MID)



BMW
8

7000.0



COMPONENT LOCATION CHART

COMPONENT

PAGE - FIGURE
7100.0 8500.0

A1 GENERAL MODULE Below LH side of dash 04-2
A3 LAMP CONTROL MODULE Below LH side of dash 04-1
A5 RELAY MODULE Inside box on interior side of LH door sill 04-3
A11	... AUTOMATIC HEATING/AC CONTROL MODULE (IHKA) Between front footwells 07-2
A12	... SUPPLEMENTAL RESTRAINT SYSTEM CONTROL MODULE Below RH side of dash 02-2
A15	... PARK HEATING/VENTILATION RELAY BOX Below RH side of dash 02-2
A18	... HIFI AMPLIFIER In LH forward side of luggage compartment 01-1
A21	... SEAT/MIRROR MEMORY CONTROL MODULE Underside of LH front seat 05-1
A23	... DRIVER'S DOOR MODULE In lower LH front door 06-2
A24	... PASSENGER'S DOOR MODULE In lower RH front door 06-2
A25	... BODY ELECTRONICS MODULE Below LH side of dash 04-2
A26	... LOCK-SENSOR CONTROL MODULE LH side of LH footwell 02-3
A2w	... INSTRUMENT CLUSTER LH side of dash	
A33	... SUNROOF MODULE Center of windshield header 05-3
A82	... SUN BLIND CONTROL MODULE At back of rear window shelf 03-1
A34w	.. STEERING COLUMN ADJUSTMENT CONTROL MODULE Center of dash behind radio	
A34z	.. STEERING COLUMN MEMORY CONTROL MODULE Center of dash behind radio 06-3



COMPONENT LOCATION CHART

COMPONENT

PAGE - FIGURE

7100.0 8500.0

A413	.. ELECTRONIC SHOCK ABSORBER CONTROL MODULE (EDC) In RH side of luggage compartment 01-3
A417	.. AUTOMATIC AIR RECIRCULATION CONTROL MODULE Behind RH footwell speaker grille 06-1
A6004	.. THROTTLE CONTROL MODULE (EML) Rear RH side of engine compartment in E-Box 00-1
A6010	.. CYL. 1-6 ENGINE CONTROL MODULE (DME) Rear RH side of engine compartment in E-Box 00-1
A6020	.. CYL. 7-12 ENGINE CONTROL MODULE (DME) Rear RH side of engine compartment in E-Box 00-1
A8500	.. TRANSMISSION CONTROL MODULE (EGS)	.. In RH rear side of luggage compartment 01-2
A9070	.. SLIP CONTROL MODULE (ABS/ASC+T) LH footwell 00-2
B1 RIGHT FRONT SPEED SENSOR - ABS Behind RH front wheel	
B2 LEFT FRONT SPEED SENSOR - ABS Behind LH front wheel	
B3 RIGHT REAR SPEED SENSOR - ABS Behind RH rear wheel	
B4 LEFT REAR SPEED SENSOR - ABS Behind LH rear wheel 14-1
B10	... VEHICLE SPEED SENSOR On differential 14-2
B11	... LH HEAT EXCHANGER TEMPERATURE SENSOR Below LH side of dash 24-1
B12	... RH HEAT EXCHANGER TEMPERATURE SENSOR Center console right behind radio	
B13	... OUTSIDE TEMPERATURE SENSOR Behind center of cowl	
B14	... EVAPORATOR TEMPERATURE SENSOR RH side of LH footwell	
B15	... ELECTRO- HYDRAULIC CONVERTER (SERVOTRONIC) Under LH front of car	



COMPONENT LOCATION CHART

COMPONENT

PAGE - FIGURE
7100.0 8500.0

B16 ...	LEFT FRONT BRAKE PAD SENSOR	Behind LH front wheel	13-3
B18 ...	BRAKE FLUID LEVEL SWITCH	Rear LH side of engine compartment	07-3
B19 ...	BRAKE PRESSURE REGULATING SWITCH	Rear LH side of engine compartment	07-3
B20 ...	BRAKE PRESSURE SWITCH	Rear LH side of engine compartment	17-3
B25 ...	FUEL LEVEL SENSOR II	Under LH rear seat	27-3
B28 ...	GRADIENT MONITOR (DWA)	In LH rear side of luggage compartment	11-1
B40 ...	STEERING ANGLE SENDER	On steering column	
B48 ...	RIGHT REAR ACCELERATION SENSOR	In RH rear side of luggage compartment	30-2
B49 ...	LONGITUDINAL ACCELERATION SENSOR	In LH forward side of luggage compartment	08-3
B6z ...	FUEL LEVEL SENSOR I	Under RH rear seat	28-1
B206 ..	OIL PRESSURE SWITCH	LH side of engine compartment	18-3
B21z ..	TEMPERATURE SENSOR	In ventilation duct left	19-2
B414 ..	AUTOMATIC AIR RECIRCULATION SENSOR	Front LH side of engine compartment	00-3
B41z ..	FRONT ACCELERATION SENSOR	RH front of wheel well above	
B900 ..	JUMPER PLUG	Rear LH side of engine compartment in Front Power Distribution Box	
B6210 .	CYL. 1-6 HEATED OXYGEN SENSOR	On catalytic converter	15-2
B6211 .	CYL. 1-6 CYLINDER IDENTIFICATION SENSOR	Front of engine left	
B6212 .	CYL. 1-6 CRANKSHAFT POSITION/RPM SENSOR	Front of engine compartment	
B6215 .	CYL. 1-6 AIR TEMPERATURE SENSOR	Rear of engine	
B6216 .	CYL. 1-6 MASS AIR FLOW SENSOR	RH side of engine compartment	19-1



COMPONENT LOCATION CHART

COMPONENT

PAGE - FIGURE
7100.0 8500.0

B6220 .	CYL. 7-12 HEATED OXYGEN SENSOR	On catalytic converter	15-2
B6221 .	CYL. 7-12 CYLINDER IDENTIFICATION SENSOR	Front of engine left	
B6222 .	CYL. 7-12 CRANKSHAFT POSITION/RPM SENSOR	Front of engine compartment left	
B6225 .	CYL. 7-12 AIR TEMPERATURE SENSOR	Rear of engine left	
B6226 .	CYL. 7-12 MASS AIR FLOW SENSOR	LH side of engine compartment	19-3
B6230 .	OIL LEVEL SENSOR	Under LH front of car	14-3
B6232 .	ENGINE COOLANT TEMPERATURE SENSOR	Rear of engine	
B6234 .	ENGINE COOLANT TEMP. SENSOR (EML)	Rear of engine	
B6235 .	TEMPERATURE SWITCH	Rear RH side of engine compartment in E-Box	22-2
B6236 .	ENGINE COOLANT TEMPERATURE SENSOR	Rear of engine	
B9508 .	PRESSURE SWITCH	RH side of engine compartment under concealing headlight	
C101 . .	CONTACT RING	On steering wheel	
C900 . .	SUPPRESSION FILTER	In upper RH C-pillar	27-2
C900z .	FM AMPLIFIER/SUPPRESSION FILTER	In upper RH C-pillar	
D100 . .	DATA LINK CONNECTOR	Front RH side of engine compartment	20-1
E9	REAR DEFOGGER I	In rear window	
E10 . . .	REAR DEFOGGER/ANTENNA	In rear window	
E11 . . .	LEFT HIGH BEAM LIGHT	Front of car	
E12 . . .	RIGHT HIGH BEAM LIGHT	Front of car	



COMPONENT LOCATION CHART

COMPONENT

PAGE - FIGURE
7100.0 8500.0

E13	... LEFT LOW BEAM LIGHT	Front of car	
E14	... RIGHT LOW BEAM LIGHT	Front of car	
E15	... LEFT PARK LIGHT	Front of car	
E19	... RIGHT PARK LIGHT	Front of car	
E20	... UNDERHOOD LIGHT	On underside of engine hood	16-1
E21	... LEFT FRONT MARKER LIGHT	Near LH headlight assembly	
E22	... RIGHT FRONT MARKER LIGHT	Near RH headlight assembly	
E26	... LEFT FOG LIGHT	Front of car	
E27	... RIGHT FOG LIGHT	Front of car	
E28	... FRONT CIGAR LIGHTER	Center of dash below front of console	
E29	... FRONT CIGAR LIGHTER LIGHT	Center of dash below front of console	
E32	... TRUNK COMPARTMENT LIGHT	Underside of trunk lid	
E34	... FRONT DOME LIGHT/MAP READING ASSEMBLY	Underside of trunk lid	
E35	... DRIVER'S MAKEUP MIRROR LIGHT	In roof panel	
E36	... PASSENGER'S MAKEUP MIRROR LIGHT	In roof panel	
E39	... LEFT REAR INTERIOR LIGHT	Behind LH footwell trim	
E40	... RIGHT REAR INTERIOR LIGHT	Behind RH footwell trim	
E41	... DASH LIGHT	Center of dash	
E42	... GLOVE BOX LIGHT	RH side of glove box above	
E43	... LEFT LICENSE PLATE LIGHT	Underside of trunk lid, near license plate	



COMPONENT LOCATION CHART

COMPONENT

PAGE - FIGURE
7100.0 8500.0

E44	... RIGHT LICENSE PLATE LIGHT	Underside of trunk lid, near license plate	
E48	... DOOR LOCK HEATER	In upper LH front door	
E51	... LEFT WASHER JET HEATER	On underside of engine hood	16-1
E52	... RIGHT WASHER JET HEATER	On underside of engine hood	
E56	... DRIVER'S SEATBACK HEATER	In lower LH front seatback	
E57	... DRIVER'S SEAT HEATER	Underside of LH front seat	
E58	... PASSENGER'S SEAT HEATER	Underside of RH front seat	
E59	... PASSENGER'S SEATBACK HEATER	In lower RH front seatback	
E61	... LEFT FRONT FOOTWELL LIGHT	LH front door behind door panel	26-3
E62	... RIGHT FRONT FOOTWELL LIGHT	RH front door behind door panel	
E78	... DRIVER'S DOOR PANEL LIGHT	In upper LH front door	
E79	... PASSENGER'S DOOR PANEL LIGHT	In upper RH front door	
E80	... LEFT REAR LIGHT ASSEMBLY II	Underside of trunk lid left	32-2
E81	... RIGHT REAR LIGHT ASSEMBLY II	Underside of trunk lid right	32-2
E45y	... CASSETTE BOX LIGHT	Center console	
E46z	... LEFT REAR LIGHT ASSEMBLY I	In LH rear side of luggage compartment	
E47z	... RIGHT REAR LIGHT ASSEMBLY I	In RH rear side of luggage compartment	
E9021	... LEFT REAR SIDE MARKER LIGHT	In LH rear side of luggage compartment	
E9022	... RIGHT REAR SIDE MARKER LIGHT	In RH rear side of luggage compartment	
E9033	... LEFT TRUNK LID LIGHT	In LH side of luggage compartment	



COMPONENT LOCATION CHART

COMPONENT

PAGE - FIGURE
7100.0 8500.0

E9046	LEFT LIGHT BAND	Front of car	
E9047	RIGHT LIGHT BAND	Front of car	
E9133	RIGHT TRUNK LID LIGHT	In RH side of luggage compartment	
F0	FUSIBLE LINK	In RH side of luggage compartment	01-2
F99	FUSIBLE LINK (50A)	In RH side of luggage compartment	
G4	LEFT BATTERY II	In LH rear side of luggage compartment	09-1
G5	DRIVER'S AIR BAG GENERATOR	On steering wheel	
G6	PASSENGER'S AIR BAG GAS GENERATOR I	Below RH side of dash	
G1z	RIGHT BATTERY I	In RH side of luggage compartment	01-2
G6509	GENERATOR	LH side of engine compartment	
H1	ANTI-THEFT HORN (DWA)	Behind RH fresh air cowl	
H2	LEFT HORN	Front of car under radiator	
H3	RIGHT HORN	Front of car under radiator	
H4	RIGHT FRONT TURN LIGHT	Front of car	
H5	RIGHT REAR TURN LIGHT	RH side of body rear end	
H6	LEFT REAR TURN LIGHT	LH side of body rear end	
H7	LEFT FRONT TURN LIGHT	Front of car	
H8	RIGHT FRONT AUXILIARY TURN LIGHT	In RH front bumper	
H9	LEFT FRONT AUXILIARY TURN LIGHT	In LH front bumper	
H24	LEFT BRAKE LIGHT	LH side of body rear end	



COMPONENT LOCATION CHART

COMPONENT

PAGE - FIGURE
7100.0 8500.0

H25 ...	LEFT TAIL LIGHT	LH side of body rear end
H27 ...	LEFT BACK UP LIGHT	LH side of body rear end
H28 ...	RIGHT BACK UP LIGHT	RH side of body rear end
H30 ...	RIGHT TAIL LIGHT	RH side of body rear end
H31 ...	RIGHT BRAKE LIGHT	RH side of body rear end
H34 ...	HIGH LEVEL STOP LIGHT	At back of rear window shelf
H38 ...	TELEPHONE TRANSCEIVER	In LH forward side of luggage compartment
H42 ...	LEFT MID-HIGH RANGE SPEAKER	Driver's door
H43 ...	RIGHT MID-HIGH RANGE SPEAKER	Passenger's door
H45 ...	RIGHT REAR SPEAKER	At back of rear window shelf
H46 ...	LEFT REAR SPEAKER	At back of rear window shelf
H50 ...	RIGHT FRONT HIGH RANGE SPEAKER	In upper RH front door
H51 ...	RIGHT FRONT LOW RANGE SPEAKER	Behind RH footwell kickpanel
H52 ...	RIGHT REAR LOW RANGE SPEAKER	At back of rear window shelf
H53 ...	RIGHT REAR HIGH RANGE SPEAKER	At back of rear window shelf
H54 ...	RIGHT FRONT MIDRANGE SPEAKER	In upper RH front door
H55 ...	LEFT FRONT MIDRANGE SPEAKER	Driver's door
H56 ...	LEFT REAR HIGH RANGE SPEAKER	At back of rear window shelf
H57 ...	LEFT REAR LOW RANGE SPEAKER	At back of rear window shelf
H58 ...	LEFT FRONT LOW RANGE SPEAKER	Footwell, driver's side



COMPONENT LOCATION CHART

COMPONENT

PAGE - FIGURE
7100.0 8500.0

H59 ...	LEFT FRONT HIGH RANGE SPEAKER	Driver's door	
H10z ..	ACOUSTIC DEVICE	Below RH side of dash	23-2
H54z ..	REAR RIGHT MID-HIGH RANGE SPEAKER	At back of rear window shelf LATE PRODUCTION	
H55z ..	REAR LEFT MID-HIGH RANGE SPEAKER	At back of rear window shelf LATE PRODUCTION	
H9025 .	UPPER LEFT TAIL LIGHT	LH side of body rear end	
H9030 .	UPPER RIGHT TAIL LIGHT	RH side of body rear end	
K1	STARTER RELAY	Rear LH side of engine compartment in Front Power Distribution Box	16-3
K2	HORN RELAY	Rear LH side of engine compartment in Front Power Distribution Box	17-2
K3	UNLOADER RELAY, TERMINAL R	Rear LH side of engine compartment in Front Power Distribution Box	16-3
K4	BLOWER RELAY	Rear LH side of engine compartment in Front Power Distribution Box	16-3
K5	WASHER PUMP RELAY	Rear LH side of engine compartment in Front Power Distribution Box	17-2
K9	UNLOADER RELAY, TERMINAL 15	Rear LH side of engine compartment in Front Power Distribution Box	07-1
K12 ...	WIPER PRESSURE CONTROL (ADV) RELAY	Rear LH side of engine compartment in Front Power Distribution Box	07-1
K13 ...	REAR DEFOGGER RELAY	Rear Power Distribution Box in LH side of luggage compartment	29-3
K15 ...	ELECTRIC POWER PROTECTION RELAY	Rear Power Distribution Box in LH side of luggage compartment	29-3
K16 ...	HAZARD FLASHER RELAY	Rear LH side of engine compartment in Front Power Distribution Box	03-2
K19 ...	COMPRESSOR CONTROL RELAY	Rear LH side of engine compartment in Front Power Distribution Box	17-1
K21 ...	NORMAL SPEED RELAY	Rear LH side of engine compartment in Front Power Distribution Box	03-2
K22 ...	HIGH SPEED RELAY	Rear LH side of engine compartment in Front Power Distribution Box	07-1



COMPONENT LOCATION CHART

COMPONENT

PAGE - FIGURE
7100.0 8500.0

K25 ...	RIGHT PARK LIGHT/LICENSE PLATE LIGHT RELAY	Below LH side of dash near hood release lever	
K26 ...	LEFT PARK LIGHT RELAY	Below LH side of dash near hood release lever	
K29 ...	INTERIOR LIGHT RELAY	LH side of LH footwell	02-3
K30 ...	ELECTRIC POWER PROTECTION RELAY II ...	Rear Power Distribution Box in LH side of luggage compartment	29-3
K33 ...	AIR CONDITIONING RELAY	Rear LH side of engine compartment in Front Power Distribution Box	17-2
K36 ...	WIPER RELAY I	Rear LH side of engine compartment in Front Power Distribution Box	16-3
K37 ...	WIPER RELAY II	Rear LH side of engine compartment in Front Power Distribution Box	16-3
K38 ...	WIPER RELAY III	Rear LH side of engine compartment in Front Power Distribution Box	16-3
K39 ...	CONCEALING HEADLIGHTS RELAY	Rear LH side of engine compartment in Front Power Distribution Box	03-2
K42 ...	INTENSIVE WASH RELAY	Rear LH side of engine compartment in Front Power Distribution Box	17-2
K46 ...	HIGH BEAM LIGHT RELAY	Rear LH side of engine compartment in Front Power Distribution Box	07-1
K51 ...	JUMPER PLUG FOR HORN/TELEPHONE	Rear LH side of engine compartment in Front Power Distribution Box	17-1
K60 ...	COMPRESSOR CUT-OFF RELAY	Rear LH side of engine compartment in Front Power Distribution Box	17-1
K61 ...	UNLOADER RELAY, TERMINAL 61	Rear LH side of engine compartment in Front Power Distribution Box	17-2
K67 ...	EDC RELAY	in RH side of luggage compartment	01-3
K70 ...	CENTRAL LOCKING TRUNK LID MOTOR RELAY (ZV)	Rear Power Distribution Box in LH side of luggage compartment	30-1
K72 ...	CONSUMER CUT-OFF RELAY I	Rear Power Distribution Box in LH side of luggage compartment	30-1
K73 ...	CONSUMER CUT-OFF RELAY II	Rear Power Distribution Box in LH side of luggage compartment	29-3



COMPONENT LOCATION CHART

COMPONENT

PAGE - FIGURE
7100.0 8500.0

K8z ...	AUXILIARY WATER PUMP RELAY	Rear LH side of engine compartment in Front Power Distribution Box	17-2
K91 ...	ON-BOARD COMPUTER HORN RELAY	Inside box on interior side of RH door sill	
K111 ..	DAYTIME RUNNING LIGHTS RELAY	Rear Power Distribution Box in LH side of luggage compartment	30-1
K52z ..	FLASHER LIGHT RELAY	Rear LH side of engine compartment in Front Power Distribution Box	03-2
K6310 .	CYL. 1-6 ENGINE CONTROL MODULE RELAY	Rear RH side of engine compartment in E-Box	23-3
K6311 .	CYL. 1-6 FUEL PUMP RELAY	Rear RH side of engine compartment in E-Box	23-3
K6320 .	CYL. 7-12 ENGINE CONTROL CYL. 1-4 FUEL PUMP RELAY	Rear RH side of engine compartment in E-Box	23-3
K6321 .	CYL. 7-12 FUEL PUMP RELAY	Rear RH side of engine compartment in E-Box	23-3
M3	WIPER MOTOR	Behind LH fresh air cowl	
M4	WASHER PUMP	RH side of engine compartment on washer fluid reservoir	21-3
M5	INTENSIVE WASH PUMP	Front RH side of engine compartment near windshield washer reservoir	
M6	WIPER PRESSURE CONTROL MOTOR (ADV)	Behind LH fresh air cowl	
M7	HEADLIGHT/FOG LIGHT WASHER PUMP	Front RH side of engine compartment near windshield washer reservoir	22-1
M9	AUXILIARY FAN MOTOR	Behind front grille	00-3
M11 ...	CYL. 7-12 FUEL PUMP	In RH side of luggage compartment	
M12 ...	DRIVER'S DOOR LOCK MOTOR	In lower LH front door	28-3
M13 ...	PASSENGER'S DOOR LOCK MOTOR	In lower RH front door	28-3
M16 ...	GAS FILLER LOCK MOTOR	In RH rear side of luggage compartment	31-2
M17 ...	TRUNK LOCK MOTOR	Rear of car rear side of luggage compartment	



COMPONENT LOCATION CHART

COMPONENT

PAGE - FIGURE
7100.0 8500.0

M18 ...	LH CONCEALING HEADLIGHT MOTOR	Front LH side of engine compartment	
M19 ...	RH CONCEALING HEADLIGHT MOTOR	Front RH side of engine compartment	
M20 ...	LEFT REAR WINDOW MOTOR	Left from LH rear seat behind trim panel	
M22 ...	RIGHT REAR WINDOW MOTOR	RH side of RH rear seat behind trim panel	
M24 ...	SUNROOF MOTOR	Center of windshield header	26-1
M2z ...	CYL. 1-6 FUEL PUMP	In RH side of luggage compartment	
M30 ...	BLOWER MOTOR	Behind center of cowl	
M31 ...	LEFT FOOTWELL FLAP MOTOR	Below LH side of dash	
M32 ...	RIGHT FOOTWELL FLAP MOTOR	LH side of RH footwell	
M33 ...	RIGHT VENTILATION FLAP MOTOR	LH side of RH footwell	
M34 ...	DASH VENT MIXING FLAP MOTOR	RH side of dash behind glove box RH side of IHKA Plenum	
M35 ...	DEFROSTER FLAP MOTOR	LH side of IHKA Plenum	
M36 ...	FRESH AIR FLAP MOTOR	LH side of IHKA Plenum	
M38 ...	LEFT VENTILATION FLAP MOTOR	Behind LH fresh air cowl	
M39 ...	LEFT MIXING FLAP MOTOR	Center of dash left of radio	
M40 ...	RECIRCULATION FLAP MOTOR	Below LH side of dash	
M50 ...	DRIVER'S SEAT CUSHION TILT MOTOR	Under LH front seat	
M51 ...	DRIVER'S SEAT MOVEMENT MOTOR	Under LH front seat	
M52 ...	DRIVER'S SEAT HEIGHT MOTOR	Under LH front seat	
M53 ...	DRIVER'S SEATBACK RECLINER MOTOR	...	In lower LH front seatback	



COMPONENT LOCATION CHART

COMPONENT

PAGE - FIGURE
7100.0 8500.0

M58 ... PASSENGER'S SEATBACK RECLINER MOTOR	In lower RH front seatback	
M59 ... PASSENGER'S SEAT HEIGHT MOTOR Under RH front seat	
M60 ... PASSENGER'S SEAT MOVEMENT MOTOR	.. Under RH front seat	
M61 ... PASSENGER'S SEAT CUSHION TILT MOTOR	Under RH front seat	
M65 ... DRIVER'S THIGH SUPPORT MOTOR Under LH front seat	
M66 ... PASSENGER'S THIGH SUPPORT MOTOR	... Under RH front seat	
M74 ... SUN BLIND MOTOR At back of rear window shelf 03-1
M82 ... STEERING COLUMN LENGTH ADJUST MOTOR Bottom of steering column	
M83 ... STEERING COLUMN ANGLE ADJUST MOTOR	Bottom of steering column	
M86 ... WATER PUMP IN LUGGAGE COMPARTMENT	In luggage compartment in spare tire compartment 31-1
M21z .. DRIVER'S POWER WINDOW MOTOR/INCREMENT SENSOR In lower LH front door 27-1
M23z .. PASSENGER'S POWER WINDOW MOTOR/INCREMENT SENSOR In lower RH front door	
M37a .. AUXILIARY WATER PUMP Rear LH side of engine compartment	
M55z .. DRIVER'S SEAT LUMBAR SUPPORT MOTOR/VALVE In upper LH front seatback	
M56z .. PASSENGER'S SEAT LUMBAR SUPPORT MOTOR/VALVE In upper RH front seatback	
M6360 . CYL. 1-6 THROTTLE BODY (EML) Front RH side of engine compartment 21-2
M6370 . CYL. 7-12 THROTTLE BODY (EML) Front LH side of engine compartment 21-2



COMPONENT LOCATION CHART

COMPONENT

PAGE - FIGURE
7100.0 8500.0

M6506 . E-BOX FAN	Rear RH side of engine compartment In E-Box	22-2
M6510 . STARTER	In the engine compartment	
N1 ANTI-THEFT CONTROL MODULE (DWA)	Inside box on interior side of RH door sill	05-2
N2 FINAL STAGE UNIT	LH side of RH footwell	
N3 DIMMER	LH side of dash	
N6 HEADLIGHT/FOGLIGHT CLEANING MODULE (SRA)	Rear LH side of engine compartment In Front Power Distribution Box	07-1
N8 ANTENNA AMPLIFIER AM/FM	In upper LH C-pillar	02-1
N9 RADIO	Center console	
N17 ... CRASH CONTROL MODULE	Rear LH side of engine compartment In Front Power Distribution Box	03-2
N20 ... RADIO RECEIVER	Front of luggage compartment	
N22 ... CD CHANGER	In luggage compartment	
N4z ... MULTI- INFORMATION DISPLAY (MID)	Center console	
N444 .. FM AMPLIFIER HLO	In upper LH C-pillar	
P90 ... FRONT POWER DISTRIBUTION BOX	Rear LH side of engine compartment	07-3
P93 ... E-BOX	Rear RH side of engine compartment	08-1
P94 ... REAR POWER DISTRIBUTION BOX	In LH side of luggage compartment	08-3
P95 ... AUXILIARY FUSE BOX	LH side of engine compartment	
R1 MIXING ACTUATOR	Center of dash	
R6 SEAT HEIGHT POTENTIOMETER	LH front seat	
R7 SEATBACK POTENTIOMETER	In lower LH front seatback	



COMPONENT LOCATION CHART

COMPONENT

PAGE - FIGURE
7100.0 8500.0

R8	SEAT CUSHION REAR HEIGHT POTENTIOMETER	LH front seat	
R9	SEAT CUSHION MOVEMENT POTENTIOMETER	Under LH front seat	
R10	...	PEDAL POSITION SENSOR	Below LH side of dash	12-2
R15	...	THIGH SUPPORT POTENTIOMETER	Under LH front seat	
R18z	..	STEERING COLUMN LENGTH ADJUST POTENTIOMETER	Bottom of steering column	
R19z	..	STEERING COLUMN ANGLE ADJUST POTENTIOMETER	Bottom of steering column	
S2	IGNITION SWITCH	On steering column above right	
S4	HORN SWITCH	On steering wheel behind DRIVER'S AIR BAG GENERATOR, G5	
S5	WIPER/WASHER SWITCH	On steering column	
S6	ASC SWITCH	Center console	24-3
S7	COMBINATION SWITCH	On steering column above	
S8	LIGHT SWITCH	LH side of dash	
S10	...	FOG LIGHT SWITCH	LH side of dash	
S11	...	CRUISE CONTROL SWITCH (EML)	On steering column	
S12	...	MEMORY MIRRORS CONTROL SWITCH	In upper LH front door	
S13	...	PASSENGER'S DOOR JAMB SWITCH	In upper RH front door	
S14	...	DRIVER'S DOOR JAMB SWITCH	In upper LH front door	
S17	...	MIRROR CONTROL SWITCH	In upper LH front door	



COMPONENT LOCATION CHART

COMPONENT

PAGE - FIGURE
7100.0 8500.0

S18	HAZARD SWITCH	Center console	
S19	UNDERHOOD LIGHT SWITCH	Near LH headlight assembly	
S20	RADIO ANTI-THEFT SWITCH (DWA)	Behind radio	
S21	ENGINE HOOD SWITCH (DWA)	Near RH headlight assembly	
S26	AUTOMATIC HEATING AND AIR CONDITIONING SWITCH (IHKA)	Center of dash	
S27	INERTIA SWITCH	Behind LH footwell speaker grille	11-3
S30	BRAKE LIGHT SWITCH	Below LH side of dash	23-1
S31	PARK BRAKE SWITCH	Below front of console	
S32	CLUTCH SWITCH	Behind LH footwell trim on clutch pedal support bracket	
S36	TEMPERATURE SWITCH	Front RH side of engine compartment	18-2
S38	SUNROOF SWITCH	Center of windshield header	
S45	LEFT REAR WINDOW LIMIT SWITCH	Left from LH rear seat	
S46	RIGHT REAR WINDOW LIMIT SWITCH	RH side of RH rear seat	
S47	DRIVER'S DOOR LOCK SWITCH	LH front door behind door panel	
S48	DRIVER'S DOOR HANDLE SWITCH	LH front door behind door panel	
S49	PASSENGER'S DOOR LOCK SWITCH	RH front door	
S50	DRIVER'S MEMORY SEAT ADJUSTMENT SWITCH	LH front seat	
S51	DRIVER'S SEAT, SEAT CONTROL SWITCH	LH front seat	
S52	DRIVER'S SEAT LUMBAR SWITCH	LH front seat	



COMPONENT LOCATION CHART

COMPONENT

PAGE - FIGURE
7100.0 8500.0

- S53 ... DRIVER'S SEAT, SEAT HEATER SWITCH LH front seat
- S54 ... PASSENGER'S SEAT, SEAT HEATER SWITCH RH front seat
- S55 ... PASSENGER'S SEAT LUMBAR SUPPORT SWITCH RH front seat
- S56 ... PASSENGER'S SEAT, SEAT CONTROL SWITCH RH front seat
- S57 ... MEMORY SEAT MIRRORS SWITCH LH front seat
- S58 ... DRIVER'S SEAT BELT SWITCH LH front seat
- S61 ... TRUNK LID SWITCH Underside of trunk lid
- S64 ... WASHER FLUID LEVEL SWITCH RH side of engine compartment on washer fluid reservoir 22-1
- S71 ... LEFT FRONT IMPACT SENSOR LH side of engine compartment
- S72 ... RIGHT FRONT IMPACT SENSOR RH side of engine compartment
- S76 ... REAR WINDOW DEFOGGER SWITCH LH side of dash
- S77 ... DRIVER'S MAKEUP MIRROR SWITCH Above LH sun visor
- S78 ... PASSENGER'S MAKEUP MIRROR SWITCH .. Above RH sun visor
- S79 ... PASSENGER'S DOOR HANDLE SWITCH RH front door
- S89 ... DRIVER'S INSIDE DOOR HANDLE SWITCH .. In lower LH front door
- S8z ... LIGHT SWITCH LH side of dash
- S90 ... PASSENGER'S INSIDE DOOR HANDLE SWITCH In upper RH front door
- S93 ... DRIVER'S THIGH SUPPORT SWITCH LH front seat
- S94 ... PASSENGER'S THIGH SUPPORT SWITCH ... RH front seat
- S96 ... AIR CONDITIONING PRESSURE SWITCH RH side of engine compartment under concealing headlight



COMPONENT LOCATION CHART

COMPONENT

PAGE - FIGURE
7100.0 8500.0

- S97 ... PASSENGER'S WINDOW SWITCH RH front door
- S99 ... PASSENGER'S WINDOW
MONITORING SWITCH (DWA) In upper RH front door
- S100 .. DRIVER'S WINDOW
MONITORING SWITCH (DWA) In upper LH front door
- S101 .. RIGHT REAR WINDOW
MONITORING SWITCH (DWA) RH side of RH rear seat behind trim panel
- S102 .. LEFT REAR WINDOW
MONITORING SWITCH (DWA) Left from LH rear seat behind trim panel
- S103 .. RH DRIVER'S SEATBACK SWITCH LH front seat
- S104 .. LH DRIVER'S SEATBACK SWITCH LH front seat
- S105 .. EDC SWITCH Center console
- S110 .. SUN BLIND SWITCH Center console
- S113 .. GLOVE BOX LIGHT SWITCH II LH side of glove box
- S117 .. TRUNK LID LOCKING SWITCH Underside of trunk lid 32-1
- S118 .. GLOVE BOX CENTRAL LOCKING SWITCH ... LH side of glove box
- S121 .. RH PASSENGER'S SEATBACK SWITCH RH front seat
- S122 .. LH PASSENGER'S SEATBACK SWITCH RH front seat
- S136 .. WASHER FLUID LEVEL SWITCH In spare-wheel well 31-1
- S198 .. JET HEATER THERMOSWITCH In ventilation duct right
- S302 .. BACK-UP SWITCH On RH side of transmission
- S37z .. GLOVE BOX LIGHT SWITCH I LH side of glove box



COMPONENT LOCATION CHART

COMPONENT

PAGE - FIGURE
7100.0 8500.0

S119z	STEERING COLUMN POSITION SWITCH	On steering column above left		
S8515	AUTOMATIC TRANSMISSION RANGE SWITCH	Center console		
S8517	PROGRAM SWITCH	Center console near gearshift lever		
S8518	TRANSMISSION RANGE SELECTOR LEVER LIGHT	Center console near gearshift lever		
S8522	SHIFT LOCK	Center console near gearshift lever		
T6151z	CYL. 1-6 IGNITION COIL	RH side of engine compartment	19-3	
T6152z	CYL. 7-12 IGNITION COIL	RH side of engine compartment		
V4	DAYTIME RUNNING LIGHTS CODING DIODE	Inside box on interior side of LH door sill		
V5	DWA LED	Center console		
X0	B+ JUNCTION POINT	LH footwell	08-2	
X2	BATTERY B+ START POINT	In Front Power Distribution Box		
X3	B+ JUNCTION POINT	In Front Power Distribution Box		
X7	CONNECTOR (55-PINS, NATURAL)	Inside box on interior side of LH door sill	00-2	00-2
X12	CONNECTOR (20-PINS, WHITE)	Below LH side of dash	04-1	02-1
X13	CONNECTOR (30-PINS, BLACK)	LH footwell	00-2	01-1
X14	CONNECTOR (30-PINS, WHITE)	LH footwell	00-2	01-1
X16	CONNECTOR (26-PINS, BLACK)	LH side of dash		01-2
X20	CONNECTOR (25-PINS, GRAY)	Rear RH side of engine compartment	09-3	01-5
X21	CONNECTOR (25-PINS, BLUE)	Rear RH side of engine compartment	09-3	01-5
X25	CONNECTOR (4-PINS, BLACK)	RH side of engine compartment on washer fluid reservoir	21-3	10-1



COMPONENT LOCATION CHART

COMPONENT

PAGE - FIGURE
7100.0 8500.0

X31 ... CONNECTOR (12-PINS, BLACK)	LH side of engine compartment under concealing headlight		03-4
X32 ... CONNECTOR (12-PINS, WHITE)	Below LH side of dash	22-3	04-3
X33 ... CONNECTOR (12-PINS, BLACK)	Below LH side of dash	22-3	04-3
X36 ... CONNECTOR (21-PINS, BLACK)	Below center console	25-2	01-6
X38 ... CONNECTOR (20-PINS, BLACK)	Below LH side of dash	04-1	02-1
X39 ... CONNECTOR (26-PINS, GREEN)	Below LH side of dash	04-2	01-2
X40 ... CONNECTOR (26-PINS, BROWN)	Below LH side of dash	04-2	01-2
X41 ... CONNECTOR (26-PINS, BLUE)	Below LH side of dash	04-2	01-2
X42 ... CONNECTOR (5-PINS, BLACK)	Below LH side of dash	04-2	08-4
X43 ... CONNECTOR (9-PINS, BLACK)	Rear LH side of engine compartment in Front Power Distribution Box		05-4
X52 ... CONNECTOR (9-PINS, BLACK)	Rear LH side of engine compartment in Front Power Distribution Box		05-4
X53 ... CONNECTOR (9-PINS, BLACK)	Rear LH side of engine compartment in Front Power Distribution Box		05-4
X54 ... CONNECTOR (9-PINS, BLACK)	Rear LH side of engine compartment in Front Power Distribution Box		05-4
X55 ... CONNECTOR (9-PINS, BLACK)	Rear LH side of engine compartment in Front Power Distribution Box		05-4
X57 ... CONNECTOR (9-PINS, BLACK)	Rear LH side of engine compartment in Front Power Distribution Box		05-4
X58 ... CONNECTOR (9-PINS, BLACK)	Rear LH side of engine compartment in Front Power Distribution Box		05-4
X61 ... CONNECTOR (9-PINS, BLACK)	Rear LH side of engine compartment in Front Power Distribution Box		05-4
X63 ... CONNECTOR (9-PINS, BLACK)	Rear LH side of engine compartment in Front Power Distribution Box		05-4
X64 ... CONNECTOR (9-PINS, BLACK)	Rear LH side of engine compartment in Front Power Distribution Box		05-4
X65 ... CONNECTOR (9-PINS, BROWN)	Rear LH side of engine compartment in Front Power Distribution Box		05-4



COMPONENT LOCATION CHART

COMPONENT

PAGE - FIGURE
7100.0 8500.0

X69 ... CONNECTOR (25-PINS, BLACK)	Rear RH side of engine compartment	09-3	01-5
X72 ... CONNECTOR (8-PINS, WHITE)	Below LH side of dash	22-3	06-3
X73 ... CONNECTOR (8-PINS, WHITE)	Below LH side of dash	12-2	06-4
X74 ... CONNECTOR (12-PINS, BLUE)	Below RH side of dash	02-2	03-5
X77 ... CONNECTOR (10-PINS, BLACK)	LH side of LH footwell	02-3	04-6
X78 ... CONNECTOR (4-PINS, BLACK)	Below LH side of dash	23-1	09-2
X81 ... CONNECTOR (3-PINS, ORANGE)	LH side of engine compartment		11-6
X82 ... CONNECTOR (3-PINS, BLACK)	Front of engine compartment on auxillary fan	00-3	11-4
X83 ... CONNECTOR (9-PINS, BLACK)	In Front Power Distribution Box		11-5
X84 ... CONNECTOR (3-PINS, YELLOW)	LH side of LH footwell		11-3
X85 ... CONNECTOR (3-PINS, BLACK)	Rear LH side of engine compartment	18-1	11-4
X86 ... CONNECTOR (3-PINS, ORANGE)	RH side of engine compartment		11-4
X87 ... CONNECTOR (3-PINS, BLACK)	Front RH side of engine compartment	18-2	11-4
X88 ... CONNECTOR (2-PINS, BLACK)	LH side of dash		
X95 ... CONNECTOR (3-PINS, BLACK)	Front RH side of engine compartment under air filter		11-4
X101 .. CONNECTOR (2-PINS, BLACK)	On underside of engine hood left		
X102 .. CONNECTOR (1-PINS, (---))	Rear LH side of engine compartment	17-3	
X103 .. CONNECTOR (1-PINS, (---))	Rear LH side of engine compartment	07-3	
X105 .. CONNECTOR (2-PINS, GRAY)	On underside of engine hood left	16-1	
X106 .. CONNECTOR (2-PINS, GRAY)	On underside of engine hood		



COMPONENT LOCATION CHART

COMPONENT

PAGE - FIGURE
7100.0 8500.0

X107	.. CONNECTOR (2-PINS, GRAY)	RH side of engine compartment on washer fluid reservoir	21-3	
X109	.. CONNECTOR (2-PINS, BLACK)	RH side of engine compartment on washer fluid reservoir	22-1	
X110	.. CONNECTOR (2-PINS, GRAY)	RH side of engine compartment on washer fluid reservoir		
X111	.. CONNECTOR (2-PINS, BLACK)	Rear LH side of engine compartment		
X113	.. CONNECTOR (2-PINS, WHITE)	RH front of wheel well		
X114	.. CONNECTOR (3-PINS, GRAY)	Behind LH front wheel		11-1
X118	.. CONNECTOR (2-PINS, BLACK)	Behind LH front wheel	13-3	
X119	.. CONNECTOR (2-PINS, BLACK)	Rear LH side of engine compartment near brake fluid reservoir	17-3	
X120	.. CONNECTOR (2-PINS, BLACK)	Under LH front of car		
X121	.. CONNECTOR (2-PINS, WHITE)	Below LH side of dash	23-1	
X122	.. CONNECTOR (2-PINS, BLACK)	Rear LH side of engine compartment	18-1	
X126	.. CONNECTOR (2-PINS, WHITE)	RH side of engine compartment under concealing headlight		
X128	.. CONNECTOR (7-PINS, BLACK)	Near LH headlight assembly front of vehicle	13-2	06-6
X130	.. CONNECTOR (7-PINS, BLACK)	LH side of engine compartment	10-1	06-6
X132	.. CONNECTOR (2-PINS, BLACK)	Front of car		
X133	.. CONNECTOR (2-PINS, BLACK)	Front of car		
X135	.. CONNECTOR (7-PINS, BLACK)	Front RH side of engine compartment	22-1	06-6
X137	.. CONNECTOR (7-PINS, BLACK)	Near RH headlight assembly front of vehicle	16-2	06-6
X143	.. CONNECTOR (3-PINS, GRAY)	Under LH rear of car	14-2	13-5
X145	.. CONNECTOR (2-PINS, BLACK)	LH side of engine compartment	18-3	



COMPONENT LOCATION CHART

COMPONENT

PAGE - FIGURE
7100.0 8500.0

X161 .. CONNECTOR (2-PINS, BLACK)	Near LH headlight assembly	12-3	
X165 .. GROUND	LH side of LH footwell		
X167 .. GROUND	LH side of engine compartment	10-1	
X168 .. CONNECTOR (1-PINS, BLACK)	On steering column		
X170 .. CONNECTOR (1-PINS, (---))	Front LH side of engine compartment under concealing headlight		
X173 .. GROUND	Front RH side of engine compartment (headlights removed)	10-2	
X252 .. CONNECTOR (26-PINS, BLACK)	Inside box on interior side of RH door sill	05-2	01-2
X253 .. CONNECTOR (26-PINS, BLACK)	Below LH side of dash	04-1	01-2
X254 .. CONNECTOR (26-PINS, YELLOW)	Below LH side of dash	04-1	01-2
X256 .. CONNECTOR (26-PINS, BLACK)	Ahead of RH front door		01-3
X257 .. CONNECTOR (26-PINS, BLACK)	Ahead of LH front door		01-3
X258 .. CONNECTOR (20-PINS, BLACK)	Inside box on interior side of LH door sill on RELAY MODULE, A5	04-3	02-1
X259 .. CONNECTOR (26-PINS, BLACK)	Inside box on interior side of LH door sill on RELAY MODULE, A5	04-3	01-2
X262 .. CONNECTOR (26-PINS, YELLOW)	In RH side of luggage compartment		01-2
X263 .. CONNECTOR (26-PINS, WHITE)	In RH side of luggage compartment	01-3	01-2
X272 .. CONNECTOR (6-PINS, BLACK)	Left from LH rear seat behind trim panel		07-6
X275 .. CONNECTOR (12-PINS, WHITE)	Underside of LH front seat	31-3	04-1
X279 .. CONNECTOR (12-PINS, WHITE)	Under RH front seat		04-1
X280 .. CONNECTOR (9-PINS, BLACK)	Rear LH side of engine compartment in Front Power Distribution Box		05-4
X281 .. CONNECTOR (9-PINS, BLACK)	Rear LH side of engine compartment in Front Power Distribution Box		05-4



COMPONENT LOCATION CHART

COMPONENT

PAGE - FIGURE
7100.0 8500.0

X283 .. CONNECTOR (4-PINS, BLACK)	LH side of engine compartment	10-1	09-4
X284 .. CONNECTOR (4-PINS, BLACK)	Front RH side of engine compartment	22-1	09-4
X287 .. CONNECTOR (9-PINS, BLACK)	In LH side of luggage compartment		05-4
X291 .. CONNECTOR (9-PINS, BLACK)	Rear LH side of engine compartment In Front Power Distribution Box		05-4
X292 .. CONNECTOR (9-PINS, BLACK)	In LH side of luggage compartment Power Distribution Box		05-4
X294 .. CONNECTOR (9-PINS, BLACK)	Rear Power Distribution Box In LH side of luggage compartment		05-4
X295 .. CONNECTOR (8-PINS, BLACK)	Below LH side of dash	22-3	06-3
X296 .. CONNECTOR (6-PINS, NATURAL)	In LH rear side of luggage compartment	11-1	07-6
X301 .. CONNECTOR (26-PINS, WHITE)	inside box on interior side of RH door sill	05-2	01-2
X306 .. CONNECTOR (30-PINS, BLUE)	LH footwell	00-2	01-1
X307 .. GROUND	Behind LH footwell speaker grille	11-3	
X310 .. CONNECTOR (6-PINS, BLACK)	Behind glove box right		07-6
X311 .. CONNECTOR (2-PINS, BLACK)	Rear of car		
X312 .. CONNECTOR (6-PINS, BLACK)	In RH rear side of luggage compartment	31-2	08-2
X316 .. CONNECTOR (6-PINS, WHITE)	LH front door behind door panel	25-3	07-2
X317 .. CONNECTOR (6-PINS, BLACK)	RH front door		07-2
X318 .. CONNECTOR (6-PINS, BLACK)	In RH rear side of luggage compartment	10-3	07-6
X319 .. CONNECTOR (6-PINS, BLACK)	In LH rear side of luggage compartment	11-1	07-6
X321 .. CONNECTOR (4-PINS, BLACK)	Below center console	25-2	09-6
X322 .. CONNECTOR (8-PINS, BLACK)	Below center console	25-2	06-3



COMPONENT LOCATION CHART

COMPONENT

PAGE - FIGURE

7100.0 8500.0

X331 .. CONNECTOR (5-PINS, BLACK)	inside box on interior side of RH door sill	05-2	08-4
X332 .. CONNECTOR (26-PINS, WHITE)	Below LH side of dash	04-1	01-2
X333 .. CONNECTOR (12-PINS, BLACK)	Rear LH side of engine compartment	17-3	03-3
X335 .. CONNECTOR (4-PINS, BLACK)	Inside box on interior side of RH door sill	05-2	10-3
X336 .. CONNECTOR (4-PINS, WHITE)	Center of windshield header	26-1	09-3
X351 .. CONNECTOR (2-PINS, BLACK)	In lower RH side of front door	28-3	
X352 .. CONNECTOR (2-PINS, BLACK)	In lower LH front door	28-3	
X355 .. CONNECTOR (2-PINS, BLACK)	Behind RH footwell trim		
X356 .. CONNECTOR (2-PINS, BLACK)	In upper LH C-pillar	02-1	
X371 .. CONNECTOR (2-PINS, BLACK)	Near RH headlight assembly	13-1	
X372 .. CONNECTOR (2-PINS, WHITE)	Behind RH fresh air cowl		
X376 .. CONNECTOR (2-PINS, GRAY)	Behind LH rear wheel		
X377 .. CONNECTOR (2-PINS, WHITE)	RH side of body rear end		
X379 .. CONNECTOR (1-PINS, BLACK)	In upper LH C-pillar	02-1	
X380 .. CONNECTOR (1-PINS, BLACK)	In upper RH C-pillar	27-2	
X381 .. CONNECTOR (2-PINS, BLACK)	In roof panel DRIVER'S MAKEUP MIRROR LIGHT, E35		
X382 .. CONNECTOR (2-PINS, BLACK)	In roof panel PASSENGER'S MAKEUP MIRROR LIGHT, E36		
X383 .. CONNECTOR (2-PINS, BLACK)	On differential	14-2	
X388 .. CONNECTOR (2-PINS, BLACK)	Behind LH footwell speaker grille	11-3	
X389 .. CONNECTOR (2-PINS, BLACK)	In LH front bumper LEFT FRONT AUXILIARY TURN LIGHT, H9		



COMPONENT LOCATION CHART

COMPONENT

PAGE - FIGURE
7100.0 8500.0

X390 ..	CONNECTOR (2-PINS, BLACK)	In RH front bumper	RIGHT FRONT AUXILIARY TURN LIGHT, H8		
X393 ..	CONNECTOR (8-PINS, BLACK)	In LH rear side of luggage compartment	behind trim panel	09-1	06-4
X394 ..	CONNECTOR (12-PINS, BLACK)	Underside of LH front seat		31-3	04-3
X400 ..	CONNECTOR (8-PINS, BLACK)	In LH rear side of luggage compartment		24-2	06-3
X401 ..	CONNECTOR (2-PINS, BLACK)	Above LH sun visor			
X402 ..	CONNECTOR (2-PINS, BLACK)	Above RH sun visor			
X405 ..	CONNECTOR (3-PINS, BLUE)	Behind LH front wheel			11-1
X406 ..	CONNECTOR (3-PINS, BLUE)	RH front of wheel well			11-1
X407 ..	CONNECTOR (3-PINS, BLUE)	Behind LH rear wheel			11-1
X408 ..	CONNECTOR (3-PINS, BLUE)	Under RH rear of car		14-2	11-1
X413 ..	CONNECTOR (2-PINS, BLACK)	At back of rear window shelf			
X423 ..	CONNECTOR (2-PINS, BLACK)	Below rear of console			
X490 ..	GROUND	Inside box on interior side of LH door sill		12-1	
X492 ..	GROUND	Behind LH footwell speaker grille		11-3	
X494 ..	GROUND	In RH side of luggage compartment		10-3	
X495 ..	GROUND	Underside of RH rear seat			
X497 ..	GROUND	In LH rear side of luggage compartment		11-1	
X500 ..	CONNECTOR (1-PINS, (---))	In RH side of luggage compartment	FUSIBLE LINK, F0		
X501 ..	CONNECTOR (18-PINS, BLACK)	Center console			02-3
X503 ..	CONNECTOR (12-PINS, BLACK)	LH side of dash			04-2



COMPONENT LOCATION CHART

COMPONENT

PAGE - FIGURE
7100.0 8500.0

X504 .. CONNECTOR (12-PINS, BLACK)	LH side of dash FOG LIGHT SWITCH, S10		04-2
X506 .. CONNECTOR (12-PINS, WHITE)	Below center console	25-1	04-3
X509 .. CONNECTOR (9-PINS, WHITE)	Below LH side of dash RIGHT PARK LIGHT/LICENSE PLATE LIGHT RELAY, K25		05-4
X512 .. CONNECTOR (12-PINS, BLACK)	Inside box on interior side of RH door sill	05-2	04-1
X516 .. CONNECTOR (5-PINS, BLACK)	Center console		08-5
X517 .. CONNECTOR (4-PINS, BLACK)	LH side of dash DIMMER, N3		09-2
X518 .. CONNECTOR (4-PINS, BLACK)	Below RH side of dash under glove box	23-2	09-2
X521 .. CONNECTOR (6-PINS, BLUE)	Center console	24-3	07-2
X522 .. CONNECTOR (3-PINS, WHITE)	Below RH side of dash under glove box	23-2	10-6
X523 .. CONNECTOR (6-PINS, BLACK)	Inside box on interior side of LH door sill		08-3
X529 .. CONNECTOR (6-PINS, BLACK)	Center console		07-2
X531 .. CONNECTOR (2-PINS, WHITE)	Center of dash FRONT CIGAR LIGHTER, E28		
X532 .. CONNECTOR (2-PINS, BLACK)	Center of dash FRONT CIGAR LIGHTER LIGHT, E29		
X537 .. CONNECTOR (2-PINS, BLACK)	LH front door behind door panel LEFT FRONT MIDRANGE SPEAKER, H55	26-3	
X538 .. CONNECTOR (2-PINS, BLACK)	At back of rear window shelf RIGHT FRONT MIDRANGE SPEAKER, H54		
X539 .. CONNECTOR (2-PINS, WHITE)	Below center console	25-1	
X540 .. CONNECTOR (2-PINS, BLACK)	RH side of dash behind glove box RH side of IHKA Plenum		
X541 .. CONNECTOR (1-PINS, BLACK)	RH side of glove box		
X542 .. CONNECTOR (2-PINS, BLACK)	RH side of dash behind glove box RH side of IHKA Plenum		
X543 .. CONNECTOR (3-PINS, BLACK)	Center of dash DASH LIGHT, E41		10-5



COMPONENT LOCATION CHART

COMPONENT

PAGE - FIGURE
7100.0 8500.0

X546 .. CONNECTOR (2-PINS, WHITE)	Below center console	25-1	
X548 .. CONNECTOR (2-PINS, ORANGE)	Below RH side of dash		
X601 .. CONNECTOR (26-PINS, YELLOW)	Underside of LH front seat	31-3	01-4
X603 .. CONNECTOR (12-PINS, BLACK)	LH front seat DRIVER'S MEMORY SEAT ADJUSTMENT SWITCH, S50		04-4
X604 .. CONNECTOR (12-PINS, BLACK)	RH front seat PASSENGER'S SEAT, SEAT CONTROL SWITCH, S56		04-4
X605 .. CONNECTOR (12-PINS, BLACK)	In LH forward side of luggage compartment	01-1	04-1
X606 .. CONNECTOR (26-PINS, WHITE)	In LH forward side of luggage compartment LATE PRODUCTION	01-1	01-2
X607 .. CONNECTOR (12-PINS, WHITE)	Behind dashboard behind glove box	02-2	03-6
X610 .. CONNECTOR (26-PINS, WHITE)	Between front footwells		01-2
X611 .. CONNECTOR (26-PINS, BLACK)	Between front footwells		01-2
X612 .. CONNECTOR (26-PINS, BLUE)	Center of dash		01-2
X613 .. CONNECTOR (26-PINS, BLUE)	Between front footwells	07-2	01-2
X614 .. CONNECTOR (26-PINS, YELLOW)	Between front footwells	07-2	01-2
X621 .. CONNECTOR (10-PINS, BLACK)	Ahead of RH front door		05-3
X622 .. CONNECTOR (10-PINS, BLACK)	Ahead of LH front door		05-2
X623 .. CONNECTOR (10-PINS, BLACK)	In upper LH front door	29-1	05-1
X624 .. CONNECTOR (10-PINS, BLACK)	In upper RH front door	29-1	05-1
X625 .. CONNECTOR (6-PINS, WHITE)	LH front door behind door panel	25-3	08-2
X627 .. CONNECTOR (2-PINS, BLACK)	Center of windshield header		
X638 .. CONNECTOR (3-PINS, BLACK)	Under RH rear seat	28-1	11-4



COMPONENT LOCATION CHART

COMPONENT

PAGE - FIGURE
7100.0 8500.0

X641 ..	CONNECTOR (6-PINS, BLACK)	In lower RH side of front door		07-5
X643 ..	CONNECTOR (6-PINS, BLUE)	Center of windshield header SUNROOF SWITCH, S38	26-1	08-2
X650 ..	CONNECTOR (6-PINS, BLACK)	LH front seat MEMORY SEAT MIRRORS SWITCH, S57		07-2
X651 ..	CONNECTOR (6-PINS, YELLOW)	LH front seat DRIVER'S SEAT, SEAT HEATER SWITCH, S53	24-3	07-2
X652 ..	CONNECTOR (4-PINS, BLACK)	LH front seat DRIVER'S SEAT LUMBAR SWITCH, S52		09-2
X658 ..	CONNECTOR (6-PINS, YELLOW)	RH front seat PASSENGER'S SEAT, SEAT HEATER SWITCH, S54	24-3	07-2
X659 ..	CONNECTOR (4-PINS, BLACK)	RH front seat PASSENGER'S SEAT, SEAT HEATER SWITCH, S54		09-2
X660 ..	CONNECTOR (6-PINS, BLACK)	In lower LH front door		07-5
X661 ..	CONNECTOR (6-PINS, GRAY)	Behind center of dashboard left		08-1
X662 ..	CONNECTOR (6-PINS, GRAY)	Below LH side of dash		08-1
X663 ..	CONNECTOR (6-PINS, GRAY)	LH side of IHKA Plenum		08-1
X664 ..	CONNECTOR (6-PINS, GRAY)	LH side of IHKA Plenum		08-1
X666 ..	CONNECTOR (6-PINS, GRAY)	Center of dash left of radio		08-1
X667 ..	CONNECTOR (6-PINS, GRAY)	Below LH side of dash		08-1
X668 ..	CONNECTOR (6-PINS, GRAY)	LH side of RH footwell		08-1
X669 ..	CONNECTOR (6-PINS, GRAY)	RH side of dash behind glove box		08-1
X670 ..	CONNECTOR (6-PINS, GRAY)	Behind center of dashboard right		08-1
X671 ..	CONNECTOR (5-PINS, BLACK)	LH side of RH footwell	07-2	08-4
X672 ..	CONNECTOR (4-PINS, BLACK)	In luggage compartment		09-5
X675 ..	CONNECTOR (4-PINS, WHITE)	In luggage compartment		08-6



COMPONENT LOCATION CHART

COMPONENT

PAGE - FIGURE
7100.0 8500.0

X676 .. CONNECTOR (4-PINS, BLACK)	In luggage compartment		08-6
X678 .. CONNECTOR (12-PINS, WHITE)	Underside of LH front seat	31-3	04-3
X679 .. CONNECTOR (2-PINS, WHITE)	Under LH rear seat	27-3	
X682 .. CONNECTOR (3-PINS, BLACK)	Center of dash		10-5
X684 .. CONNECTOR (3-PINS, BLACK)	RH front door right		11-4
X685 .. CONNECTOR (3-PINS, BLACK)	In upper LH front door left	29-2	11-4
X686 .. CONNECTOR (3-PINS, BLUE)	Underside of LH front seat	31-3	10-4
X687 .. CONNECTOR (3-PINS, BLUE)	LH front seat		10-4
X688 .. CONNECTOR (3-PINS, BLUE)	LH front seat		10-4
X690 .. CONNECTOR (3-PINS, BLUE)	Underside of LH front seat	31-3	10-4
X692 .. CONNECTOR (3-PINS, BLACK)	Center of dash		12-2
X700 .. CONNECTOR (2-PINS, BLACK)	Behind RH footwell kickpanel		
X701 .. CONNECTOR (2-PINS, BLACK)	Behind LH footwell speaker grille	11-3	
X706 .. CONNECTOR (2-PINS, BLACK)	Center console CASSETTE BOX LIGHT, E45y		
X709 .. CONNECTOR (2-PINS, BLACK)	Underside of trunk lid LEFT LICENSE PLATE LIGHT, E43		
X710 .. CONNECTOR (2-PINS, BLACK)	Underside of trunk lid RIGHT LICENSE PLATE LIGHT, E44		
X711 .. CONNECTOR (1-PINS, BLACK)	Underside of trunk lid TRUNK LID SWITCH, S61		
X712 .. CONNECTOR (1-PINS, BLACK)	Underside of trunk lid TRUNK COMPARTMENT LIGHT, E32		
X713 .. CONNECTOR (2-PINS, BLACK)	Behind RH rear wheel		
X714 .. CONNECTOR (4-PINS, BLACK)	RH side of RH rear seat behind trim panel	28-2	09-2



COMPONENT LOCATION CHART

COMPONENT

PAGE - FIGURE
7100.0 8500.0

X715 .. CONNECTOR (2-PINS, BLACK)	Left from LH rear seat behind trim panel	28-2	
X720 .. CONNECTOR (4-PINS, BLACK)	Left from LH rear seat behind trim panel		09-2
X721 .. CONNECTOR (2-PINS, BLACK)	RH side of RH rear seat behind trim panel		
X726 .. CONNECTOR (2-PINS, BLACK)	Under LH front seat		
X727 .. CONNECTOR (2-PINS, WHITE)	Under LH front seat		
X728 .. CONNECTOR (2-PINS, WHITE)	Under LH front seat		
X729 .. CONNECTOR (2-PINS, BLACK)	In lower LH front seatback		
X734 .. CONNECTOR (2-PINS, BLACK)	Under RH front seat		
X735 .. CONNECTOR (2-PINS, WHITE)	Under RH front seat		
X736 .. CONNECTOR (2-PINS, BLACK)	In lower RH front seatback		
X737 .. CONNECTOR (2-PINS, WHITE)	Under RH front seat		
X742 .. CONNECTOR (2-PINS, YELLOW)	RH front door		
X744 .. CONNECTOR (6-PINS, BLACK)	In lower RH side of front door		07-5
X745 .. CONNECTOR (2-PINS, BLACK)	In upper RH C-pillar	27-2	
X746 .. CONNECTOR (2-PINS, BLACK)	In upper RH front door		
X747 .. CONNECTOR (2-PINS, YELLOW)	In upper LH front door left	29-2	
X748 .. CONNECTOR (2-PINS, WHITE)	In lower LH front door behind door panel	26-3	
X749 .. CONNECTOR (6-PINS, BLACK)	In lower LH front door	27-1	07-5
X751 .. CONNECTOR (2-PINS, WHITE)	In upper LH front door left	29-2	
X752 .. CONNECTOR (2-PINS, GRAY)	In upper LH front door left	29-2	



COMPONENT LOCATION CHART

COMPONENT

PAGE - FIGURE
7100.0 8500.0

X753	.. CONNECTOR (2-PINS, BLACK) In lower LH front door behind door panel 26-3	
X770	.. CONNECTOR (2-PINS, YELLOW) In ventilation duct left 19-2	
X771	.. CONNECTOR (2-PINS, BLACK) RH side of LH footwell		
X772	.. CONNECTOR (2-PINS, WHITE) Center console left behind radio		
X773	.. CONNECTOR (2-PINS, WHITE) Center console right behind radio		
X774	.. CONNECTOR (2-PINS, GRAY) Behind center of cowl under RH side of windshield		
X778	.. CONNECTOR (3-PINS, BLACK) Underside of LH front seat		10-5
X779	.. CHARGING SOCKET LH side of glove box		
X782	.. CONNECTOR (3-PINS, ORANGE) Below RH side of dash		11-6
X783	.. CONNECTOR (3-PINS, ORANGE) Bottom of steering column		11-6
X784	.. CONNECTOR (12-PINS, GREEN) Below RH side of dash		05-3
X808	.. GROUND Behind rear panel in the luggage compartment on top of battery		
X809	.. GROUND Behind rear panel in the luggage compartment on top of battery		
X816	.. CONNECTOR (1-PINS, BLACK) Behind center of cowl		
X817	.. CONNECTOR (1-PINS, BLACK) Behind center of cowl		
X818	.. GROUND Below LH side of dash 12-2	
X820	.. GROUND In LH rear side of luggage compartment behind trim panel		
X848	.. CONNECTOR (4-PINS, GREEN) At back of rear window shelf 03-1	10-3
X881	.. CONNECTOR (6-PINS, WHITE) RH front seat PASSENGER'S THIGH SUPPORT SWITCH, S94		08-2
X882	.. CONNECTOR (2-PINS, BLACK) Under LH front seat		



COMPONENT LOCATION CHART

COMPONENT

PAGE - FIGURE
7100.0 8500.0

X883 .. CONNECTOR (2-PINS, BLACK)	Under RH front seat		
X884 .. CONNECTOR (3-PINS, BLUE)	Under LH front seat		10-4
X886 .. CONNECTOR (6-PINS, WHITE)	LH front seat DRIVER'S THIGH SUPPORT SWITCH, S93		08-2
X887 .. CONNECTOR (26-PINS, BLACK)	In lower LH front door	06-2	01-2
X889 .. CONNECTOR (26-PINS, WHITE)	In upper RH front door	06-2	01-2
X898 .. CONNECTOR (6-PINS, BLACK)	Center of dash REAR WINDOW DEFOGGER SWITCH, S76		07-2
X909 .. CONNECTOR (2-PINS, GRAY)	RH front door right		
X910 .. B+ JUNCTION POINT	Rear LH side of engine compartment		
X911 .. STARTER JUNCTION POINT	Rear RH side of engine compartment near shock tower		
X916 .. CONNECTOR (5-PINS, BLACK)	Center of windshield header	05-3	08-4
X917 .. CONNECTOR (6-PINS, BLACK)	Center of windshield header	05-3	07-2
X924 .. CONNECTOR (6-PINS, BLACK)	Underside of trunk lid left	32-2	07-6
X925 .. CONNECTOR (6-PINS, BLACK)	Underside of trunk lid right	32-2	07-6
X932 .. CONNECTOR (2-PINS, GRAY)	In lower LH front door	28-3	
X933 .. CONNECTOR (2-PINS, GRAY)	In lower RH side of front door	28-3	
X936 .. CONNECTOR (2-PINS, WHITE)	In lower LH front door	06-2	
X937 .. CONNECTOR (2-PINS, WHITE)	RH front door	06-2	
X941 .. CONNECTOR (9-PINS, BLACK)	Rear LH side of engine compartment in Front Power Distribution Box		05-4
X945 .. CONNECTOR (10-PINS, WHITE)	In RH side of luggage compartment	01-3	04-6
X946 .. GROUND	In RH side of luggage compartment		



COMPONENT LOCATION CHART

COMPONENT

PAGE - FIGURE
7100.0 8500.0

X947	CONNECTOR (6-PINS, BLACK)	Center console	26-2	07-2
X949	CONNECTOR (5-PINS, BLACK)	At back of rear window shelf	03-1	08-4
X955	GROUND	In LH side of luggage compartment behind trim panel		
X998	CONNECTOR (2-PINS, NATURAL)	LH front seat RH DRIVER'S SEATBACK SWITCH, S103		
X999	CONNECTOR (2-PINS, WHITE)	RH front seat LH DRIVER'S SEATBACK SWITCH, S104		
X1001	CONNECTOR (4-PINS, NATURAL)	In RH rear side of luggage compartment	30-3	09-2
X1002	CONNECTOR (4-PINS, NATURAL)	In LH rear side of luggage compartment	24-2	09-2
X1003	CONNECTOR (12-PINS, BLACK)	Below center console	25-2	04-3
X1010	CONNECTOR (2-PINS, BLACK)	RH side of engine compartment under concealing headlight		
X1011	CONNECTOR (2-PINS, GRAY)	RH side of engine compartment on washer fluid reservoir	22-1	
X1021	CONNECTOR (9-PINS, BLACK)	Rear LH side of engine compartment in Front Power Distribution Box		05-4
X1165	GROUND	Front LH side of engine compartment		
X1204	CONNECTOR (2-PINS, WHITE)	Left from LH rear seat behind trim panel	28-2	
X1205	CONNECTOR (2-PINS, WHITE)	RH side of RH rear seat behind trim panel		
X1229	CONNECTOR (4-PINS, BLACK)	Center of dash behind radio	06-3	10-3
X1230	CONNECTOR (4-PINS, WHITE)	Left from LH rear seat behind trim panel	28-2	09-3
X1368	CONNECTOR (1-PINS, (---))	RH side of luggage compartment		
X1369	CONNECTOR (1-PINS, (---))	RH side of luggage compartment		
X1372	CONNECTOR (2-PINS, BLACK)	LH side of glove box		
X1375	CONNECTOR (2-PINS, BLACK)	LH side of glove box left		



COMPONENT LOCATION CHART

COMPONENT

PAGE - FIGURE
7100.0 8500.0

X1376 . CONNECTOR (9-PINS, BLACK)	Rear Power Distribution Box		05-4
X1377 . CONNECTOR (2-PINS, BLACK)	Underside of trunk lid	32-1	
X1426 . CONNECTOR (1-PINS, BROWN)	Below RH side of dash		
X1439 . CONNECTOR (2-PINS, BLACK)	Center console		
X3210 . CONNECTOR (26-PINS, BLUE)	Behind RH footwell speaker grille	06-1	01-4
X3211 . CONNECTOR (4-PINS, BLACK)	Front RH side of engine compartment EARLY PRODUCTION	00-3	10-2
X3211 . CONNECTOR (4-PINS, BLACK)	Front RH side of engine compartment LATE PRODUCTION		13-3
X6002 . CONNECTOR (20-PINS, BLACK)	RH side of engine compartment	20-1	02-2
X6004 . CONNECTOR (55-PINS, BLACK)	Rear RH side of engine compartment in E-Box		00-2
X6010 . CONNECTOR (88-PINS, BLACK)	Rear RH side of engine compartment in E-Box		00-1
X6020 . CONNECTOR (88-PINS, BLACK)	Rear RH side of engine compartment in E-Box		00-1
X6099 . CONNECTOR (1-PINS, BLACK)	Front of engine left		
X6101 . CONNECTOR (2-PINS, BLACK)	LH side of engine		
X6102 . CONNECTOR (2-PINS, BLACK)	LH side of engine		
X6103 . CONNECTOR (2-PINS, BLACK)	LH side of engine		
X6104 . CONNECTOR (2-PINS, BLACK)	LH side of engine		
X6105 . CONNECTOR (2-PINS, BLACK)	LH side of engine		
X6106 . CONNECTOR (2-PINS, BLACK)	LH side of engine		
X6107 . CONNECTOR (2-PINS, BLACK)	RH side of engine		
X6108 . CONNECTOR (2-PINS, BLACK)	RH side of engine		



COMPONENT LOCATION CHART

COMPONENT

PAGE - FIGURE
7100.0 8500.0

X6109 . CONNECTOR (2-PINS, BLACK)	RH side of engine		
X6110 . CONNECTOR (2-PINS, BLACK)	RH side of engine		
X6111 . CONNECTOR (2-PINS, BLACK)	RH side of engine		
X6112 . CONNECTOR (2-PINS, BLACK)	RH side of engine		
X6121 . CONNECTOR (2-PINS, BLACK)	RH side of engine compartment under air filter	20-1	
X6122 . CONNECTOR (2-PINS, WHITE)	RH side of engine compartment under air filter	20-1	
X6210 . CONNECTOR (4-PINS, BLACK)	On catalytic converter under center of car	15-2	10-1
X6211 . CONNECTOR (3-PINS, GRAY)	Front of engine left	20-2	12-1
X6212 . CONNECTOR (3-PINS, BLACK)	Front of engine compartment	20-2	12-1
X6215 . CONNECTOR (2-PINS, BLACK)	Rear RH side of engine compartment		
X6216 . CONNECTOR (7-PINS, BLACK)	LH side of engine compartment	19-1	06-5
X6220 . CONNECTOR (4-PINS, BLACK)	On catalytic converter under center of car	15-2	10-1
X6221 . CONNECTOR (3-PINS, BLACK)	Front of engine	20-2	12-1
X6222 . CONNECTOR (3-PINS, GRAY)	Front of engine	20-2	12-1
X6225 . CONNECTOR (2-PINS, BLACK)	Rear of engine		
X6226 . CONNECTOR (7-PINS, BLACK)	RH side of engine compartment		06-5
X6230 . CONNECTOR (3-PINS, BLACK)	Under LH front of car	14-3	12-1
X6232 . CONNECTOR (2-PINS, BLACK)	Rear of engine		
X6234 . CONNECTOR (2-PINS, WHITE)	Rear of engine		
X6235 . CONNECTOR (2-PINS, BLACK)	Rear RH side of engine compartment in E-Box	22-2	



COMPONENT LOCATION CHART

COMPONENT

PAGE - FIGURE
7100.0 8500.0

X6236 . CONNECTOR (3-PINS, BLACK)	Rear of engine		12-1
X6310 . CONNECTOR (9-PINS, WHITE)	Rear RH side of engine compartment in E-Box		05-4
X6311 . CONNECTOR (9-PINS, YELLOW)	Rear RH side of engine compartment in E-Box		05-4
X6320 . CONNECTOR (9-PINS, WHITE)	Rear RH side of engine compartment in E-Box		05-4
X6321 . CONNECTOR (9-PINS, YELLOW)	Rear RH side of engine compartment in E-Box		05-4
X6360 . CONNECTOR (8-PINS, BLACK)	Front of engine left	21-2	05-5
X6370 . CONNECTOR (8-PINS, BLACK)	Front RH side of engine compartment	21-2	05-5
X6400 . B+ JUNCTION POINT	Rear RH side of engine compartment in E-Box	08-1	
X6402 . GROUND	In LH rear side of luggage compartment behind trim panel	09-1	
X6405 . GROUND	In RH side of luggage compartment	01-2	
X6406 . B+	In RH side of luggage compartment	01-2	
X6452 . GROUND	Rear RH side of engine compartment near shock tower	09-3	
X6453 . GROUND	Rear RH side of engine compartment near shock tower	09-3	
X6506 . CONNECTOR (4-PINS, BLACK)	Rear RH side of engine compartment in E-Box	22-2	09-2
X6510 . CONNECTOR (1-PINS, (---))	At starter		
X6511 . CONNECTOR (1-PINS, (---))	At starter		
X6512 . CONNECTOR (1-PINS, (---))	At starter		
X6519 . CONNECTOR (1-PINS, (---))	At generator		
X7151 . CONNECTOR (1-PINS, (---))	RH side of engine compartment	19-3	
X7512 . B+ JUNCTION POINT	Rear LH side of engine compartment	18-1	



COMPONENT LOCATION CHART

COMPONENT

PAGE - FIGURE
7100.0 8500.0

X7519	. CONNECTOR (1-PINS, BLACK) LH side of engine compartment below intake manifold	
X8151	. CONNECTOR (1-PINS, (---)) RH side of engine compartment	19-3
X8500	. CONNECTOR (35-PINS, NATURAL) In RH rear side of luggage compartment	00-3
X8505	. CONNECTOR (8-PINS, BLACK) Under center of car	06-1
X8509	. CONNECTOR (8-PINS, BLACK) Center console near gearshift lever	24-3 06-4
X8511	. CONNECTOR (2-PINS, BLACK) On RH side of transmission	15-2
X8517	. CONNECTOR (6-PINS, WHITE) Center console near gearshift lever	25-1 07-2
X8518	. CONNECTOR (3-PINS, BLACK) Center console near gearshift lever	10-5
X8522	. CONNECTOR (2-PINS, BLACK) Center console	
X8582	. CONNECTOR (1-PINS, (---)) LH side of engine compartment	
X9100	. CONNECTOR (2-PINS, BLACK) Center of windshield header	
X9997	. CONNECTOR (2-PINS, ORANGE) Steering wheel behind DRIVER'S AIR BAG GENERATOR, G5	
X10006	. CONNECTOR (1-PINS, BLACK) RH side of glove box above	
X10039	. CONNECTOR (10-PINS, BLACK) Rear LH side of engine compartment in Front Power Distribution Box	04-5
X10040	. CONNECTOR (10-PINS, BLACK) Rear LH side of engine compartment in Front Power Distribution Box	04-5
X10041	. CONNECTOR (10-PINS, BLACK) Rear LH side of engine compartment in Front Power Distribution Box	04-5
X10042	. CONNECTOR (10-PINS, BLACK) Rear LH side of engine compartment in Front Power Distribution Box	04-5
X10044	. CONNECTOR (9-PINS, BLACK) Rear LH side of engine compartment in Front Power Distribution Box	05-4
X10045	. CONNECTOR (9-PINS, BLACK) Rear LH side of engine compartment in Front Power Distribution Box	05-4
X10046	. CONNECTOR (2-PINS, BLACK) In spare-wheel well	31-1



COMPONENT LOCATION CHART

COMPONENT

PAGE - FIGURE
7100.0 8500.0

X10047	CONNECTOR (9-PINS, BLACK)	Rear LH side of engine compartment in Front Power Distribution Box	05-4
X10051	CONNECTOR (4-PINS, BLACK)	LH side of dash	09-6
X10052	CONNECTOR (1-PINS, BLACK)	Rear LH side of engine compartment	17-3
X10053	CONNECTOR (1-PINS, BLACK)	Rear LH side of engine compartment	07-3
X10058	CONNECTOR (1-PINS, YELLOW)	LH footwell	08-2
X11244	CONNECTOR (2-PINS, BLACK)	In ventilation duct right	
X13001	CONNECTOR (9-PINS, BLACK)	Rear Power Distribution Box CONSUMER CUT-OFF RELAY I, K72	05-4
X13008	CONNECTOR (2-PINS, WHITE)	Under RH rear seat	28-1
X13015	CONNECTOR (9-PINS, BLACK)	In LH side of luggage compartment CONSUMER CUT-OFF RELAY II, K73	05-4
X13017	CONNECTOR (1-PINS, BLACK)	In upper LH C-pillar	02-1
X13018	CONNECTOR (1-PINS, BLACK)	In upper RH C-pillar	27-2
X13027	CONNECTOR (1-PINS, BLACK)	Underside of trunk lid TRUNK LID SWITCH, S61	
X13049	CONNECTOR (1-PINS, BROWN)	In upper LH C-pillar	02-1
X13052	CONNECTOR (10-PINS, BLACK)	LH side of LH footwell	02-3 04-5
X13109	CONNECTOR (6-PINS, BLACK)	Under LH front seat	07-3
X13110	CONNECTOR (6-PINS, BLACK)	Under RH front seat	07-3
X13139	CONNECTOR (10-PINS, BLACK)	In rear view mirror	05-1
X13167	CONNECTOR (9-PINS, BLACK)	Below LH side of dash	05-4
X18024	CONNECTOR (6-PINS, BLACK)	LH side of engine compartment	07-5
X18025	CONNECTOR (4-PINS, BLACK)	LH side of engine compartment	10-2



COMPONENT LOCATION CHART

COMPONENT

PAGE - FIGURE
7100.0 8500.0

COMPONENT	7100.0	8500.0
X18029 CONNECTOR (4-PINS, BLACK) LH footwell		09-1
X18031 CONNECTOR (3-PINS, BLACK) RH front of wheel well above	15-3	10-6
X18055 CONNECTOR (12-PINS, BLACK) Below center console	25-1	04-3
X18066 CONNECTOR (3-PINS, WHITE) In RH rear side of luggage compartment	30-2	11-5
X18067 CONNECTOR (3-PINS, WHITE) in LH forward side of luggage compartment behind trim panel	08-3	11-2
X18068 CONNECTOR (9-PINS, BLACK) In RH side of luggage compartment		05-4
X18069 CONNECTOR (12-PINS, WHITE) Below RH side of dash under glove box		03-5
X18080 CONNECTOR (1-PINS, BLACK) Underside of trunk lid TRUNK COMPARTMENT LIGHT, E32		
X18093 CONNECTOR (6-PINS, BLACK) LH side of dash	22-3	07-3
X18094 CONNECTOR (3-PINS, BLUE) Bottom of steering column		10-4
X18095 CONNECTOR (3-PINS, BLUE) Bottom of steering column		10-4
X18096 CONNECTOR (2-PINS, BLACK) Bottom of steering column		
X18097 CONNECTOR (2-PINS, BLACK) Bottom of steering column		
X18098 CONNECTOR (5-PINS, BLACK) Behind dashboard behind radio		08-4
X18099 CONNECTOR (12-PINS, BLACK) Behind dashboard behind radio	06-3	13-1
X18124 CONNECTOR (2-PINS, WHITE) Under RH front seat		
X18125 CONNECTOR (2-PINS, WHITE) Under RH front seat		
X18126 CONNECTOR (17-PINS, BLACK) Center console		02-4
X18131 CONNECTOR (12-PINS, WHITE) Center of dash behind radio		03-5
X18135 CONNECTOR (4-PINS, WHITE) In upper LH front seatback		09-3



COMPONENT LOCATION CHART

COMPONENT

PAGE - FIGURE
7100.0 8500.0

X18138	CONNECTOR (4-PINS, WHITE)	In upper RH front seatback		09-3
X18139	CONNECTOR (26-PINS, BLACK)	Underside of LH front seat	05-1	00-0
X18145	CONNECTOR (2-PINS, BLACK)	Under rear of car	14-2	
X18146	CONNECTOR (2-PINS, BLACK)	Under RH rear of car	14-2	
X18165	CONNECTOR (3-PINS, BLACK)	Underside of RH front seat		10-5
X18166	CONNECTOR (2-PINS, BLACK)	In upper LH front door DRIVER'S DOOR PANEL LIGHT, E78		
X18167	CONNECTOR (2-PINS, BLACK)	In upper RH front door PASSENGER'S DOOR PANEL LIGHT, E79		
X18170	GROUND	Inside box on interior side of LH door sill	12-1	
X18171	CONNECTOR (10-PINS, BLACK)	In upper LH front door DRIVER'S SIDE MEMORY MIRROR, Y9	29-1	05-1
X18172	CONNECTOR (10-PINS, BLACK)	In upper RH front door	29-1	05-1
X18173	CONNECTOR (6-PINS, BLACK)	In upper LH front door		07-2
X18177	CONNECTOR (2-PINS, GRAY)	In spare-wheel well	31-1	
X18178	CONNECTOR (4-PINS, BLACK)	Underside of LH front seat		09-6
X18179	CONNECTOR (4-PINS, BLACK)	Under RH front seat		09-6
X18180	CONNECTOR (3-PINS, WHITE)	In luggage compartment		12-2
X18181	CONNECTOR (6-PINS, BLACK)	Under driver's seat	06-3	
X18246	CONNECTOR (3-PINS, YELLOW)	Center of windshield header		12-4
X18319	CONNECTOR (18-PINS, BLACK)	Under LH front seat		02-3
X18320	CONNECTOR (26-PINS, WHITE)	Underside of LH front seat	05-1	00-0
X18321	CONNECTOR (10-PINS, WHITE)	Underside of LH front seat	05-1	05-2



COMPONENT LOCATION CHART

COMPONENT

PAGE - FIGURE
7100.0 8500.0

X18322	CONNECTOR (26-PINS, BLACK)	Under LH front seat		01-2
X18323	CONNECTOR (4-PINS, BLACK)	Under LH front seat		10-3
X18324	CONNECTOR (6-PINS, BLUE)	Under LH front seat		08-3
X18331	CONNECTOR (6-PINS, GREEN)	Center console	26-2	07-2
X18500	CONNECTOR (25-PINS, BLACK)	In LH forward side of luggage compartment	01-1	13-4
X18507	CONNECTOR (4-PINS, BLACK)	Center console		09-2
X18509	CONNECTOR (8-PINS, BLACK)	Center console		13-3
X18514	CONNECTOR (2-PINS, NATURAL)	Footwell, driver's side		
X18515	CONNECTOR (2-PINS, NATURAL)	Behind LH footwell speaker grille	11-3	
X18736	CONNECTOR (1-PINS, BLUE)	Inside box on interior side of LH door sill		
X18741	CONNECTOR (4-PINS, BLACK)	Center of dash		09-1
X18757	CONNECTOR (3-PINS, WHITE)	Left from LH rear seat behind trim panel	28-2	10-6
X19529	CONNECTOR (8-PINS, BLACK)	In lower RH front door		06-1
Y1	ABS HYDRAULIC UNIT	Front LH side of engine compartment under concealing headlight	19-2	
Y3	AIR CONDITIONING COMPRESSOR (#HKA)	Front RH side of engine compartment under air filter		
Y4	WATER VALVE ASSEMBLY	Rear LH side of engine compartment	18-1	
Y5	DRIVER'S SIDE MIRROR	In upper LH front door		
Y6	PASSENGER'S SIDE MIRROR	In upper RH front door		
Y9	DRIVER'S SIDE MEMORY MIRROR	In upper LH front door		
Y10	PASSENGER'S SIDE MEMORY MIRROR	In upper RH front door		



COMPONENT LOCATION CHART

COMPONENT

PAGE - FIGURE
7100.0 8500.0

Y16	... PRESSURE SENSOR/PLUNGER	LH side of engine compartment	
Y401z	. LEFT FRONT EDC VALVES	Behind LH front wheel	
Y402z	. RIGHT FRONT EDC VALVES	Behind RH front wheel	15-1
Y403z	. LEFT REAR EDC VALVES	Behind LH rear wheel	14-1
Y404z	. RIGHT REAR EDC VALVES	Behind RH rear wheel	
Y6101	. CYL. 1 FUEL INJECTION VALVE	LH side of engine	21-1
Y6102	. CYL. 2 FUEL INJECTION VALVE	LH side of engine	21-1
Y6103	. CYL. 3 FUEL INJECTION VALVE	LH side of engine	21-1
Y6104	. CYL. 4 FUEL INJECTION VALVE	LH side of engine	21-1
Y6105	. CYL. 5 FUEL INJECTION VALVE	LH side of engine	21-1
Y6106	. CYL. 6 FUEL INJECTION VALVE	LH side of engine	21-1
Y6107	. CYL. 7 FUEL INJECTION VALVE	RH side of engine	20-3
Y6108	. CYL. 8 FUEL INJECTION VALVE	RH side of engine	20-3
Y6109	. CYL. 9 FUEL INJECTION VALVE	RH side of engine	20-3
Y6110	. CYL. 10 FUEL INJECTION VALVE	RH side of engine	20-3
Y6111	. CYL. 11 FUEL INJECTION VALVE	RH side of engine	20-3
Y6112	. CYL. 12 FUEL INJECTION VALVE	RH side of engine	20-3
Y6121	. CYL. 1-6 EVAPORATIVE EMISSION VALVE	Front RH side of engine compartment	20-1
Y6122	. CYL. 7-12 EVAPORATIVE EMISSION VALVE	Front RH side of engine compartment	20-1
Y8505	. TRANSMISSION VALVE UNIT	Under center of car	

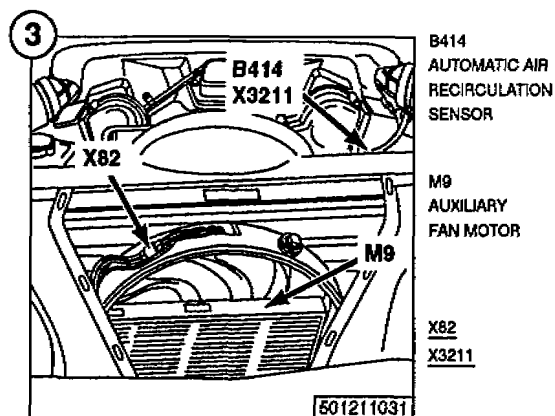
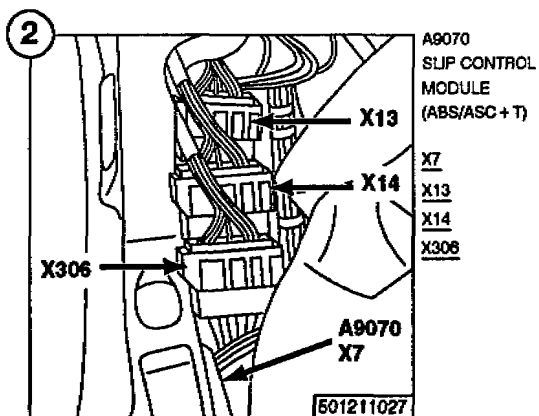
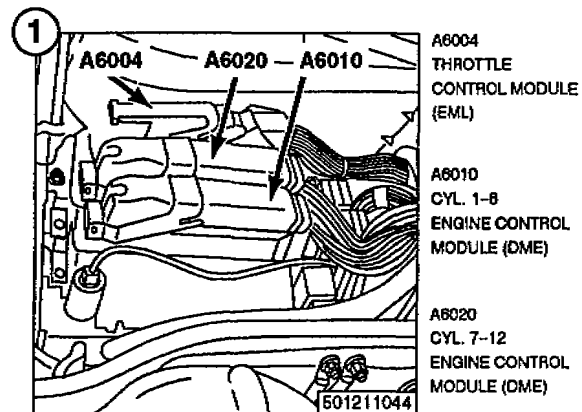
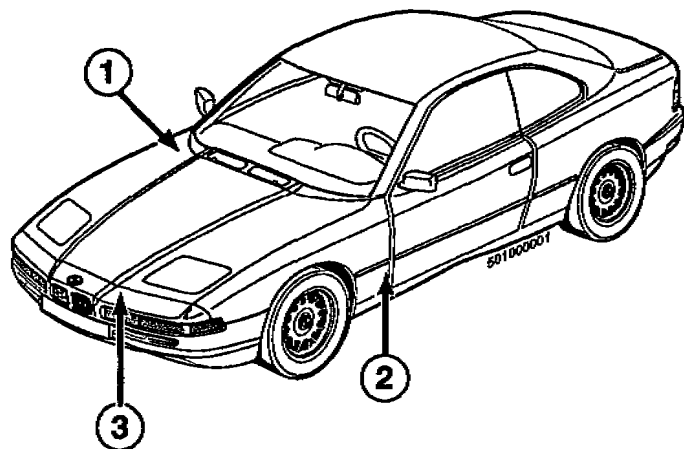
BMW
8

7100.0



COMPONENT LOCATION VIEWS

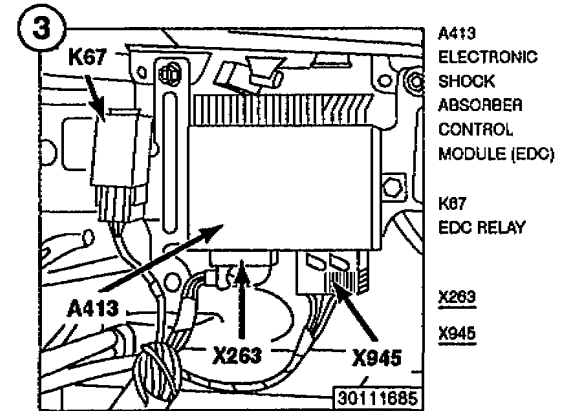
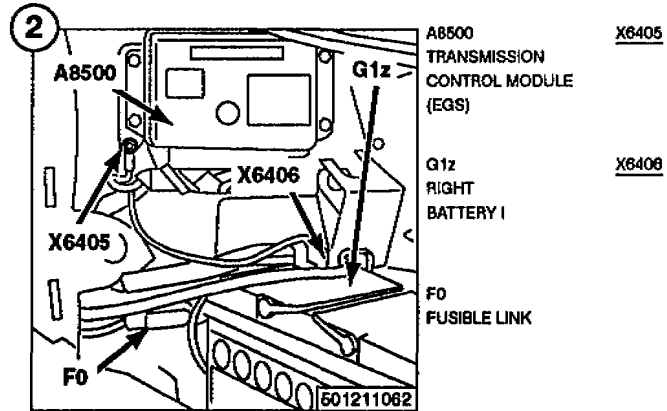
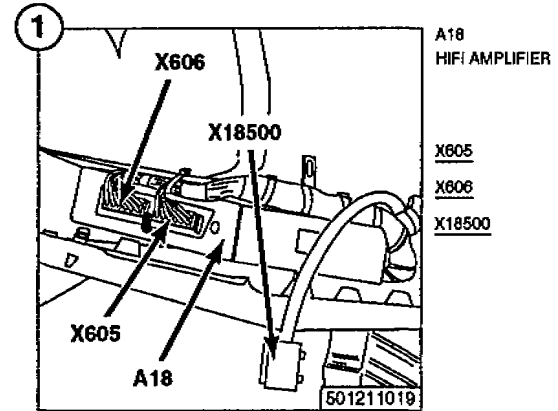
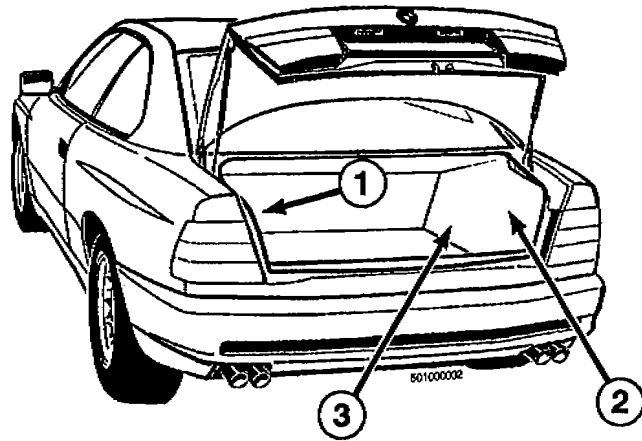
ELECTRICAL CONTROL MODULE LOCATIONS





COMPONENT LOCATION VIEWS

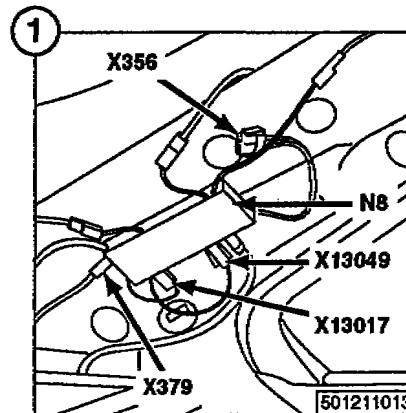
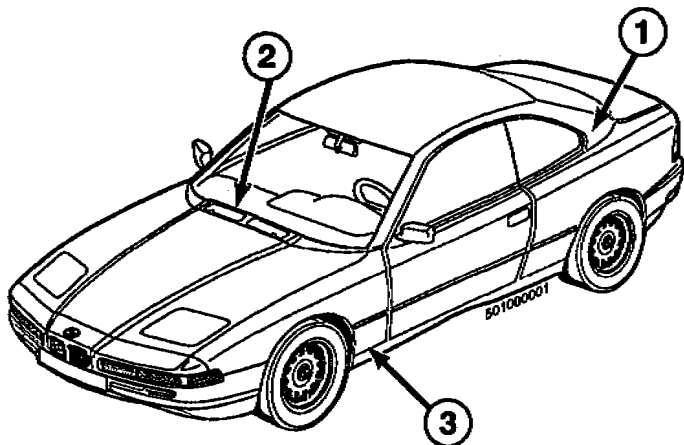
ELECTRICAL CONTROL MODULE LOCATIONS



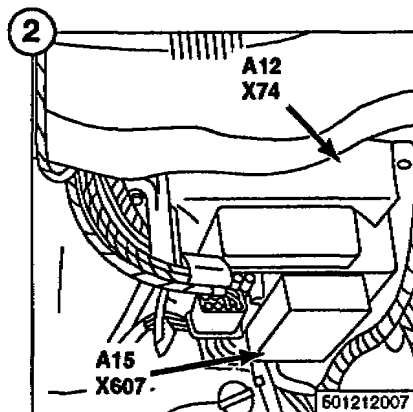


COMPONENT LOCATION VIEWS

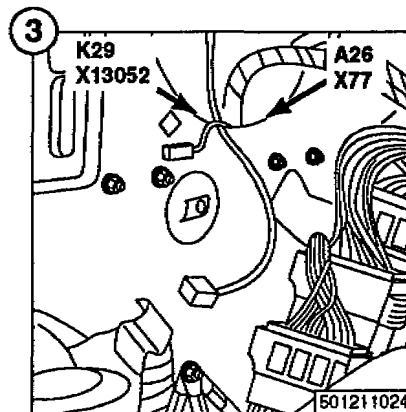
ELECTRICAL CONTROL MODULE LOCATIONS



- N8 ANTENNA AMPLIFIER AM/FM
- X356
- X379
- X13017
- X13049



- A12 SUPPLEMENTAL RESTRAINT SYSTEM CONTROL MODULE
- A15 PARK HEATING/ VENTILATION RELAY BOX
- X74
- X607

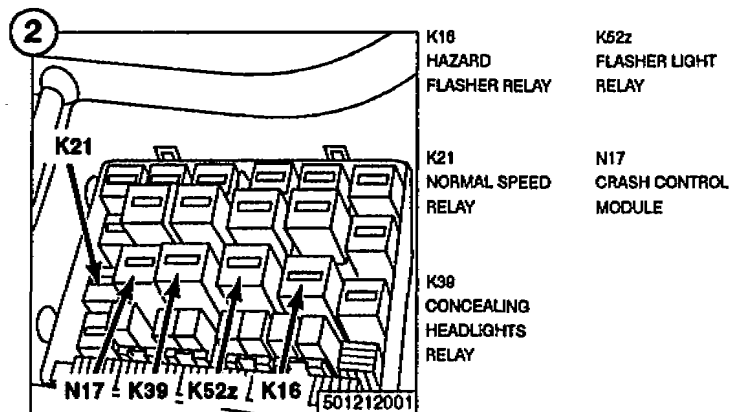
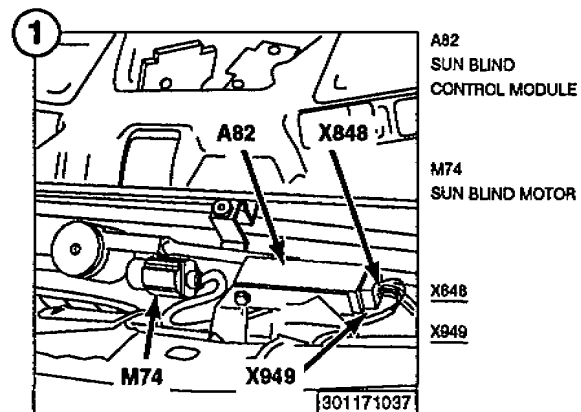
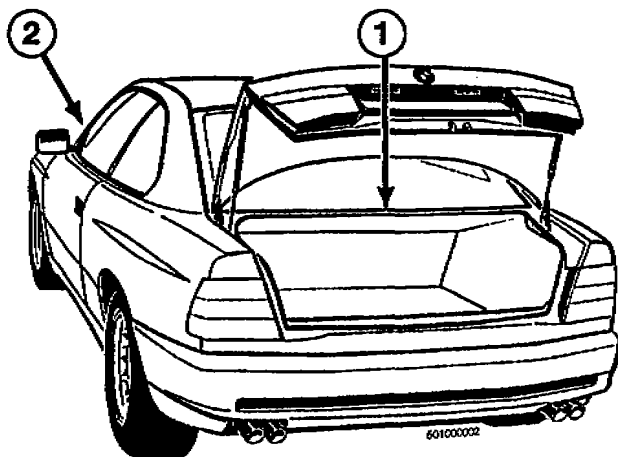


- A26 LOCK-SENSOR CONTROL MODULE
- K29 INTERIOR LIGHT RELAY
- X77
- X13052



COMPONENT LOCATION VIEWS

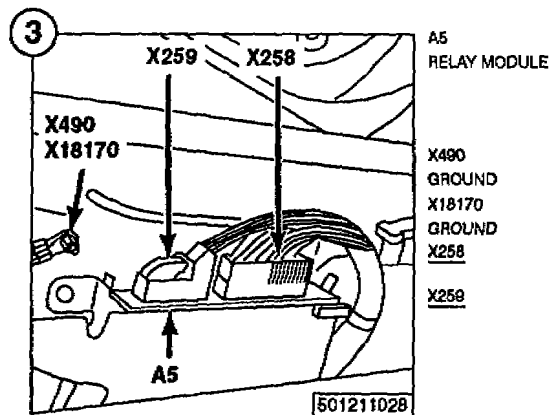
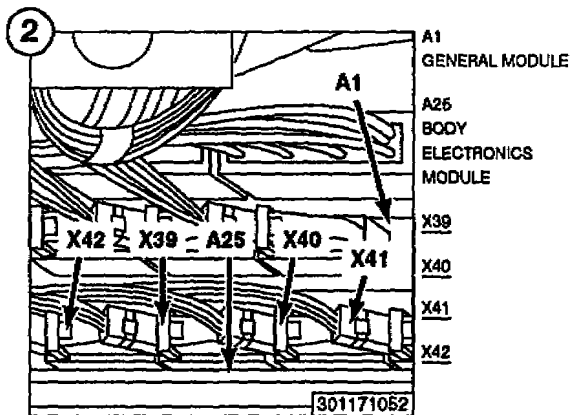
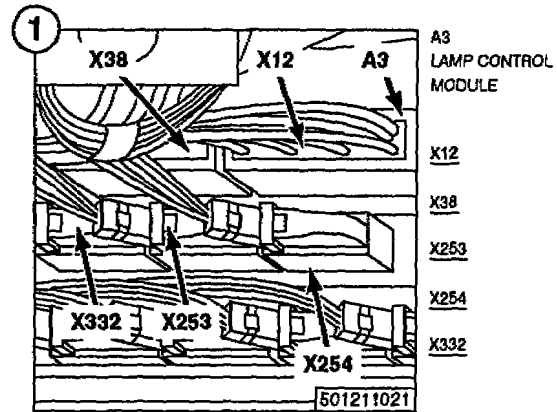
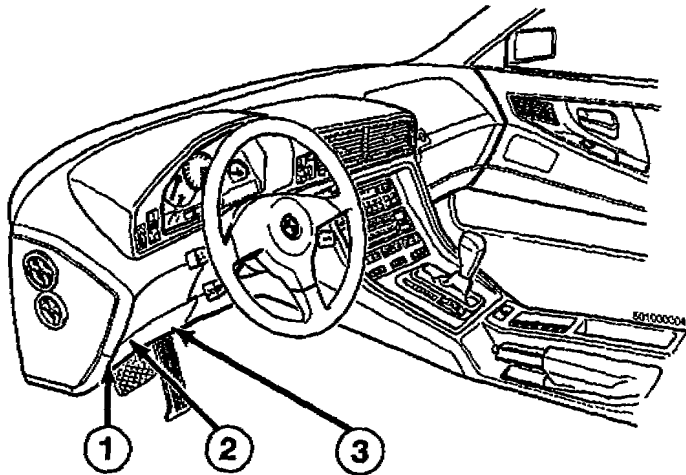
ELECTRICAL CONTROL MODULE LOCATIONS





COMPONENT LOCATION VIEWS

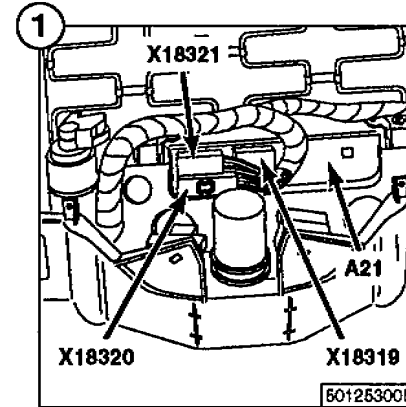
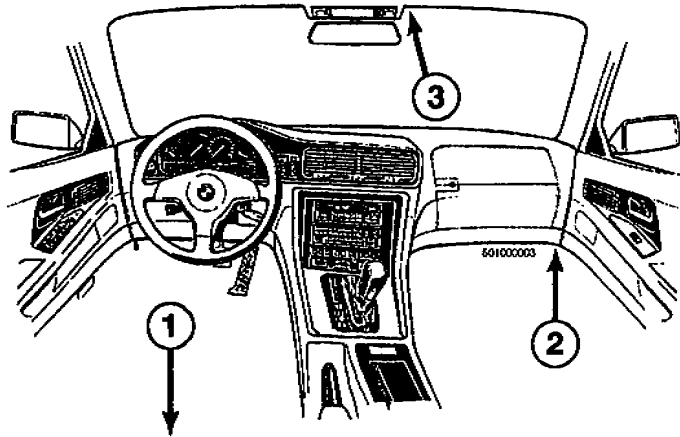
ELECTRICAL CONTROL MODULE LOCATIONS





COMPONENT LOCATION VIEWS

ELECTRICAL CONTROL MODULE LOCATIONS

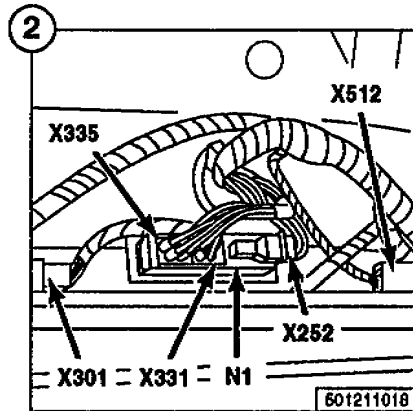


A21
SEAT/MIRROR
MEMORY
CONTROL MODULE

X18319

X18320

X18321



N1
ANTI-THEFT
CONTROL MODULE
(DWA)

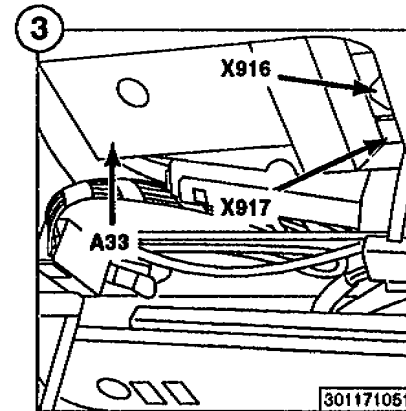
X252

X301

X331

X335

X512



A33
SUNROOF MODULE

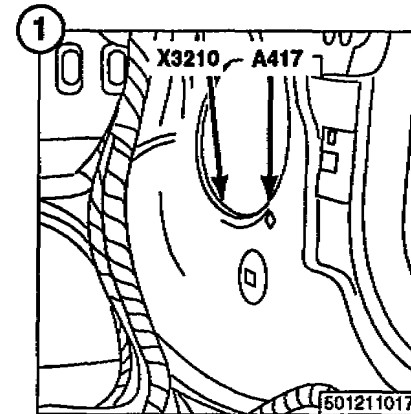
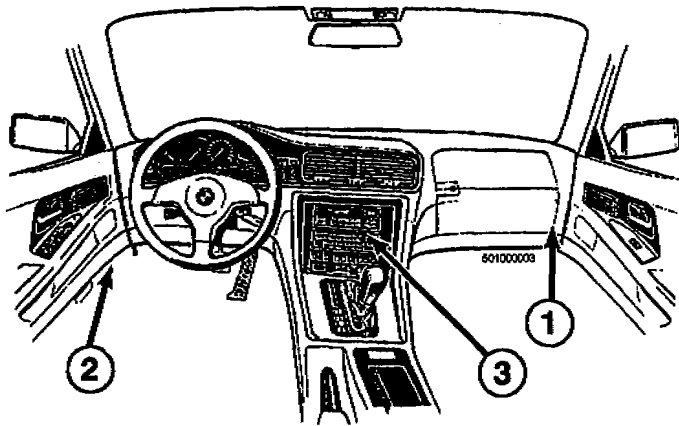
X918

X917



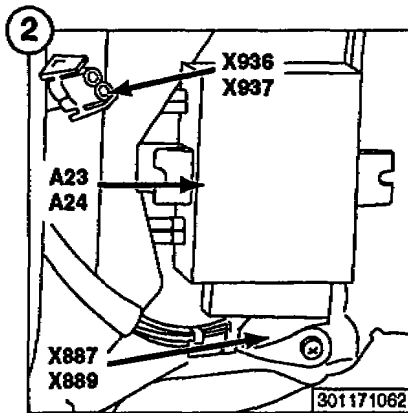
COMPONENT LOCATION VIEWS

ELECTRICAL CONTROL MODULE LOCATIONS



A417
AUTOMATIC AIR
RECIRCULATION
CONTROL MODULE

X3210



A23
DRIVER'S
DOOR MODULE

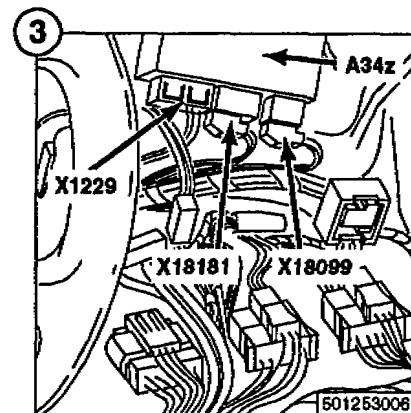
A23
DRIVER'S
DOOR MODULE

X887

X889

X936

X937



A34z
STEERING
COLUMN MEMORY
CONTROL MODULE

X1229

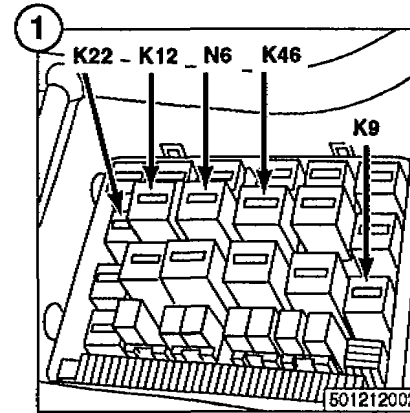
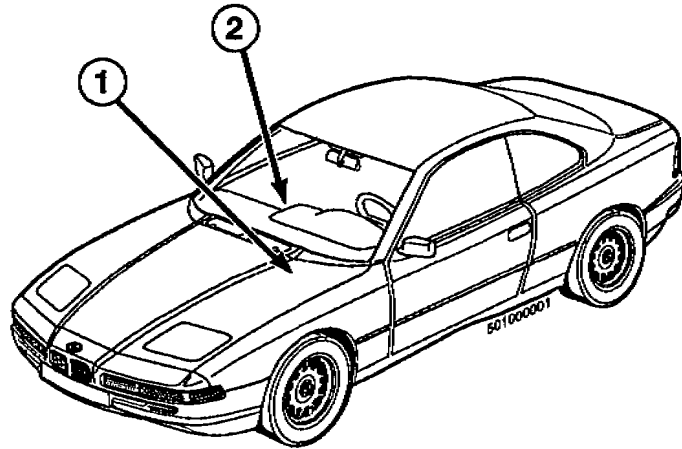
X18099

X18181

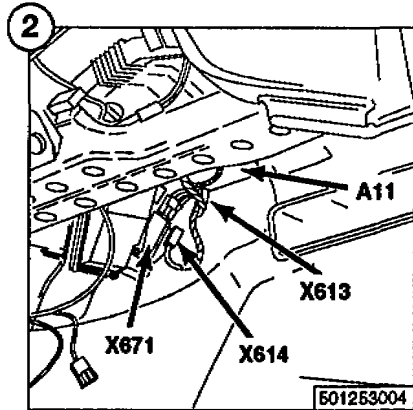


COMPONENT LOCATION VIEWS

ELECTRICAL CONTROL MODULE LOCATIONS



- N8 HEADLIGHT/FOGLIGHT CLEANING MODULE (SRA)
- K9 UNLOADER RELAY, TERMINAL 15
- K12 WIPER PRESSURE CONTROL (ADV) RELAY
- K22 HIGH SPEED RELAY
- K46 HIGH BEAM LIGHT RELAY

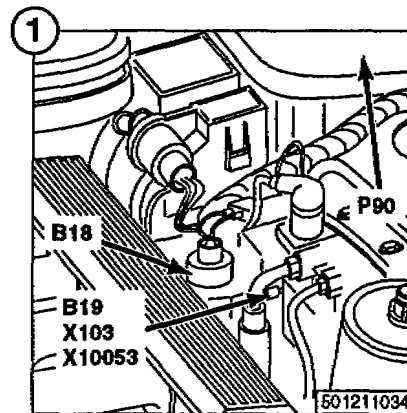
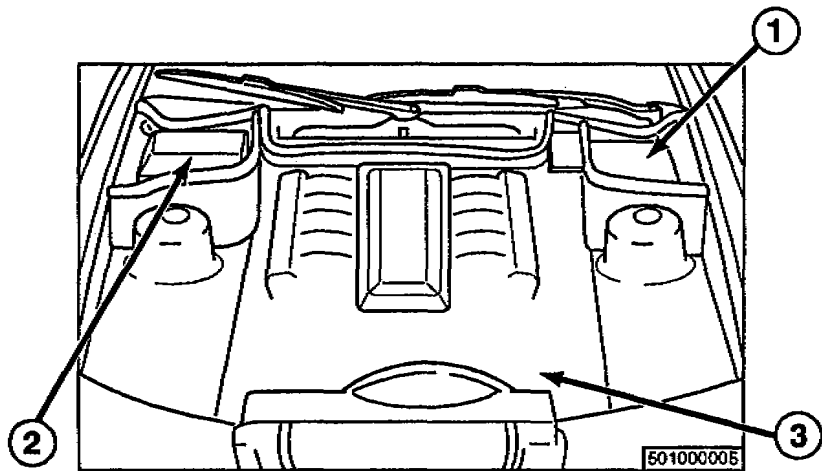


- A11 AUTOMATIC HEATING/AC CONTROL MODULE (IHKA)
- X813
- X814
- X871
- X613
- X614



COMPONENT LOCATION VIEWS

B(+)

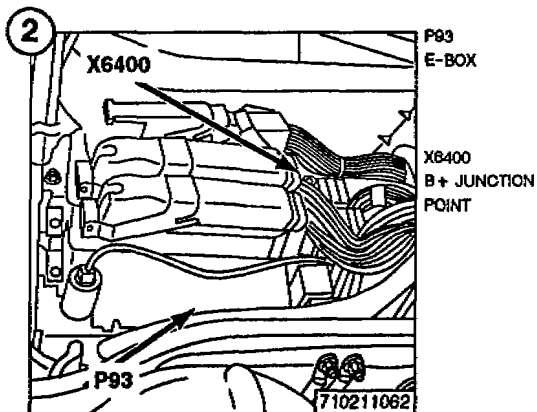


P90 FRONT POWER DISTRIBUTION BOX

X103
X10053

B18 BRAKE FLUID LEVEL SWITCH

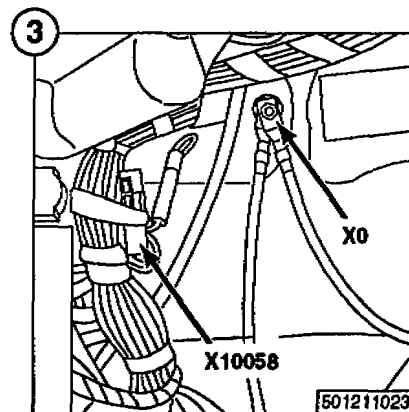
B19 BRAKE PRESSURE REGULATING SWITCH



P93 E-BOX

X6400

X6400 B+ JUNCTION POINT



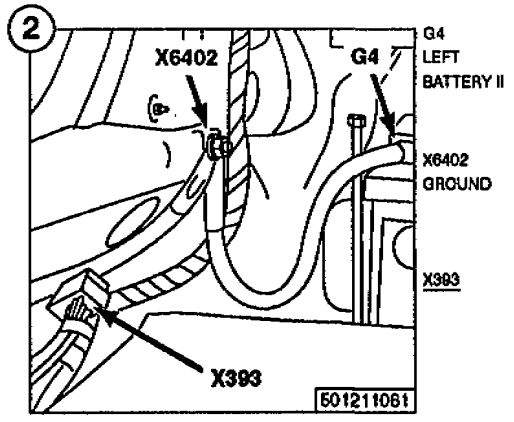
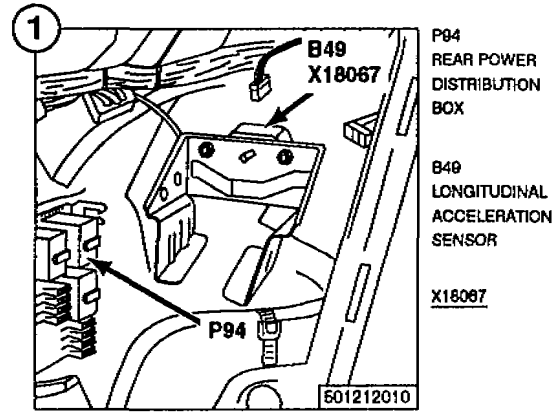
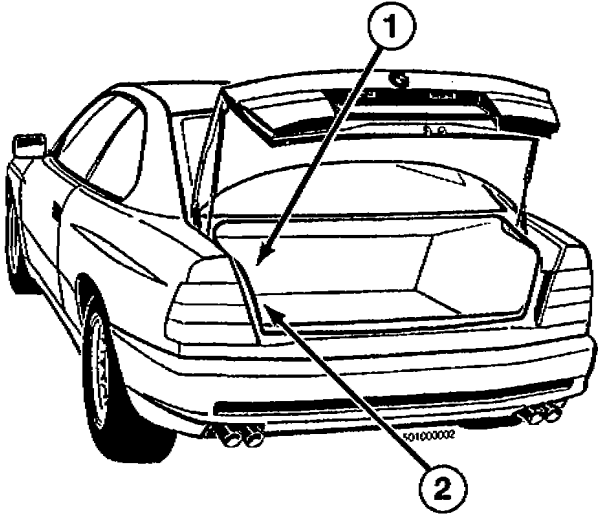
X0 B+ JUNCTION POINT

X10058



COMPONENT LOCATION VIEWS

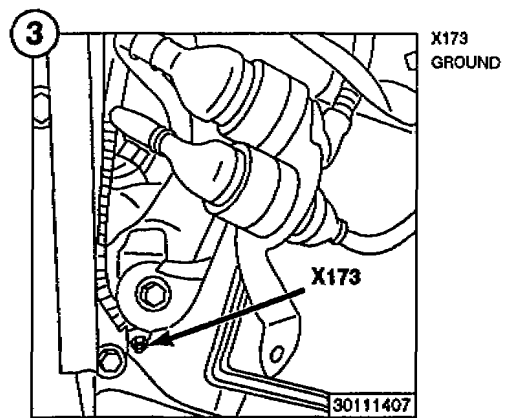
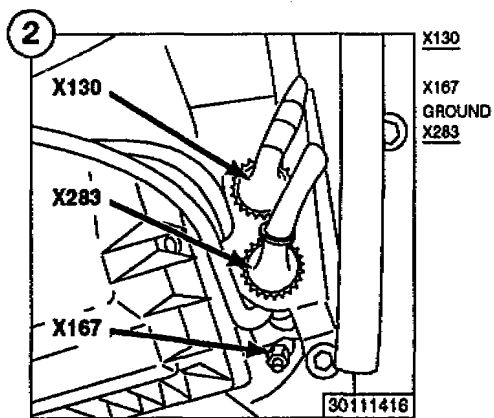
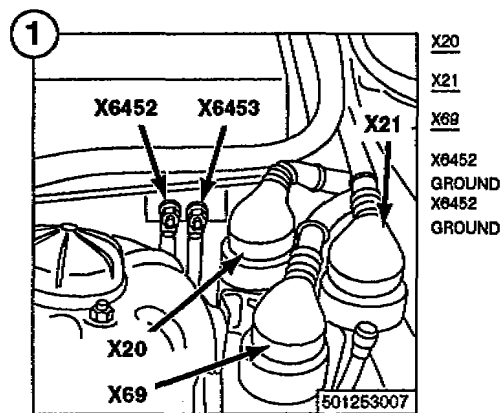
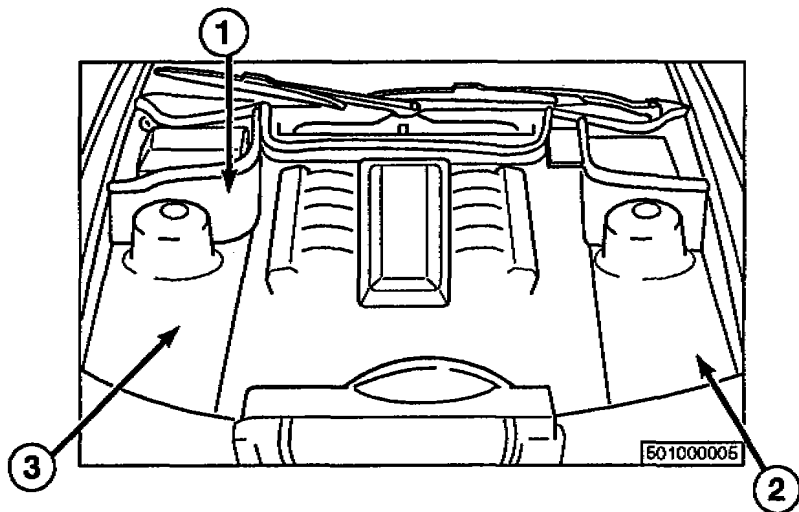
B(+)





COMPONENT LOCATION VIEWS

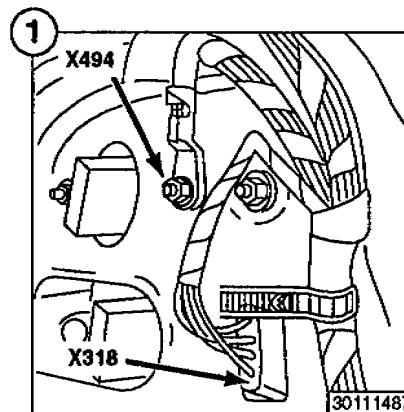
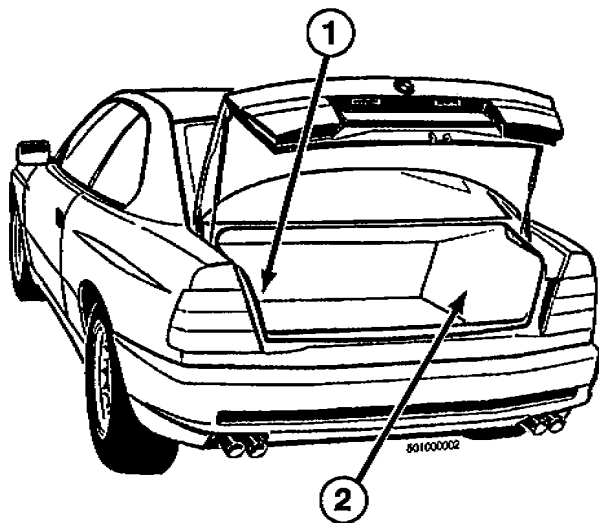
B(-)



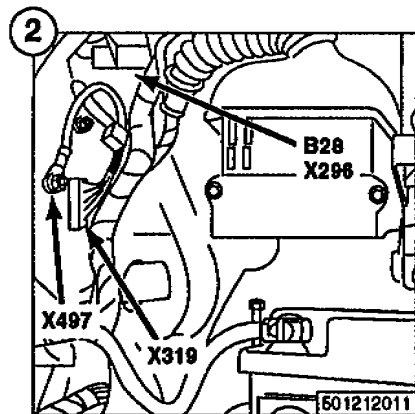


COMPONENT LOCATION VIEWS

B(-)



X494
GROUND
X318

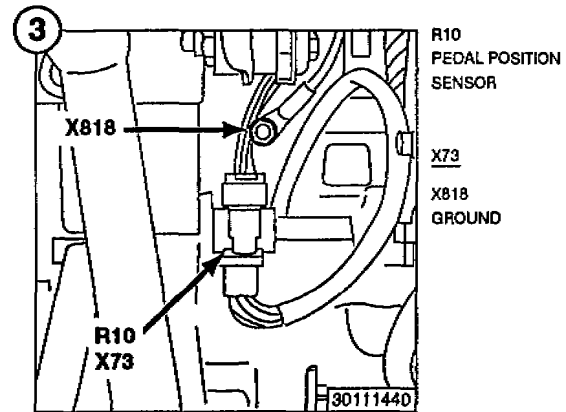
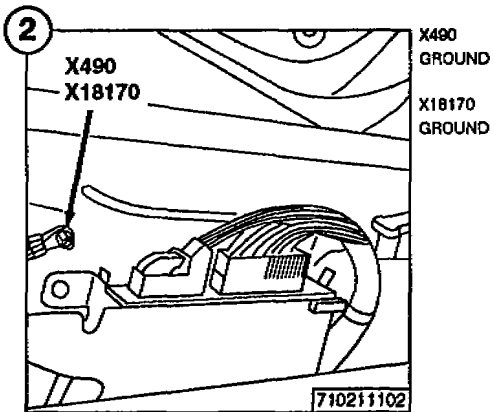
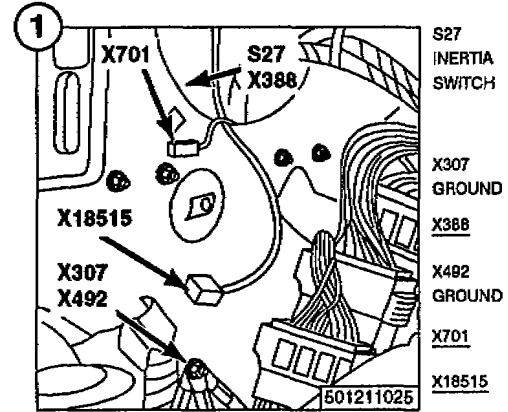
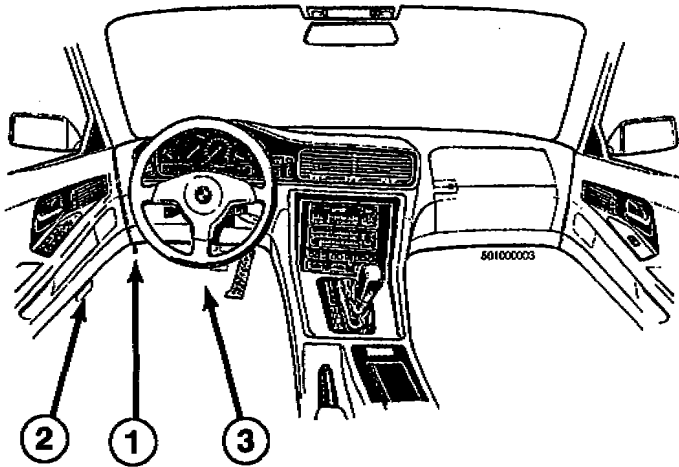


B28
GRADIENT
MONITOR (DWA)
X298
X318
X497
GROUND



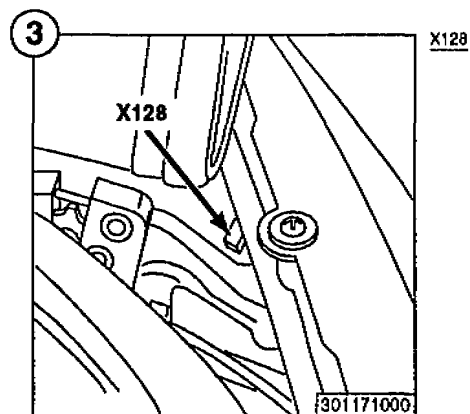
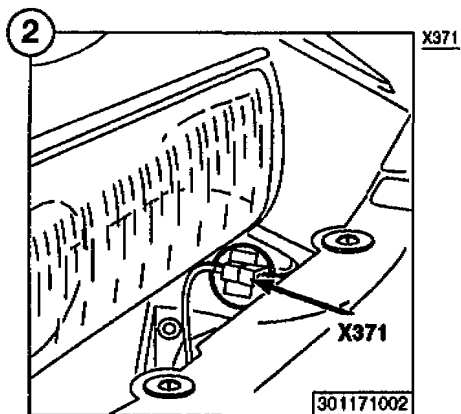
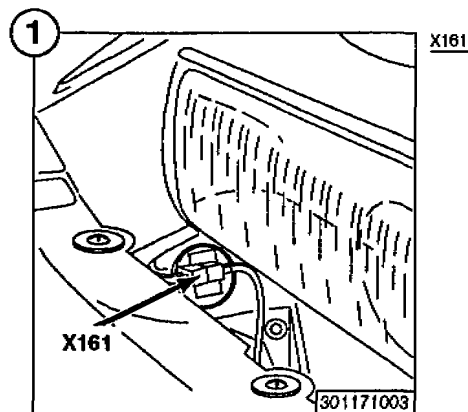
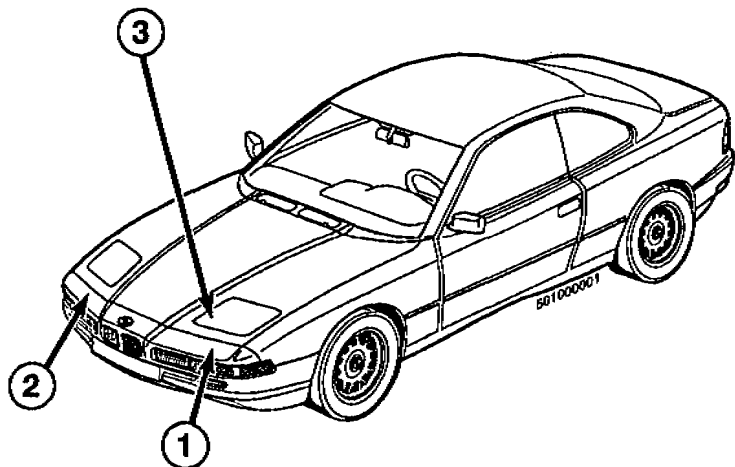
COMPONENT LOCATION VIEWS

B(-)



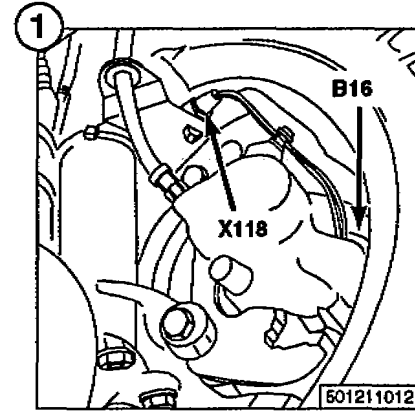
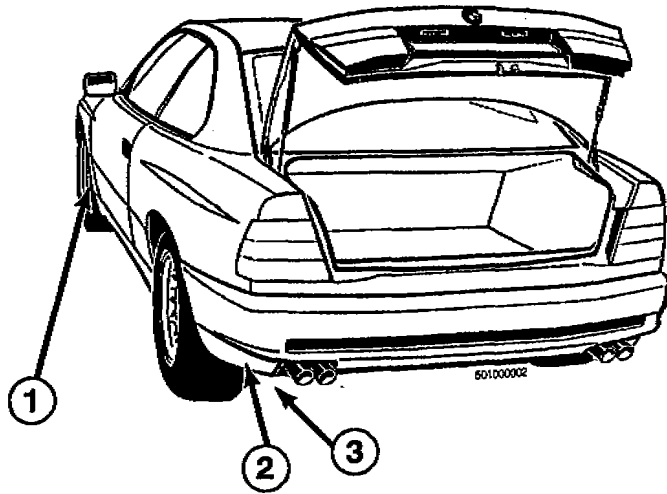


COMPONENT LOCATION VIEWS



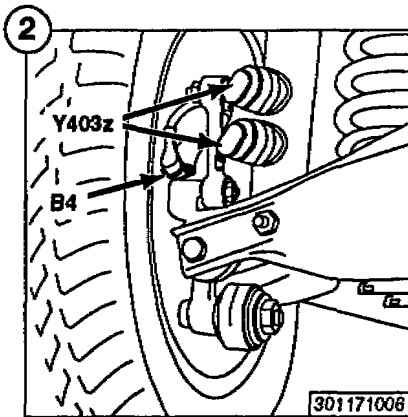


COMPONENT LOCATION VIEWS

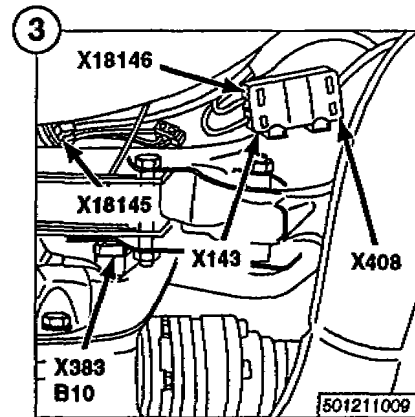


B16
LEFT FRONT
BRAKE PAD
SENSOR

X118



B4
LEFT REAR
SPEED SENSOR
- ABS
Y403z
LEFT REAR
EDC VALVES



B10
VEHICLE
SPEED SENSOR

X143

X383

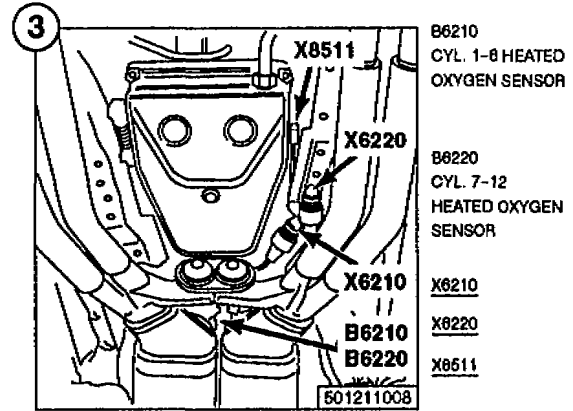
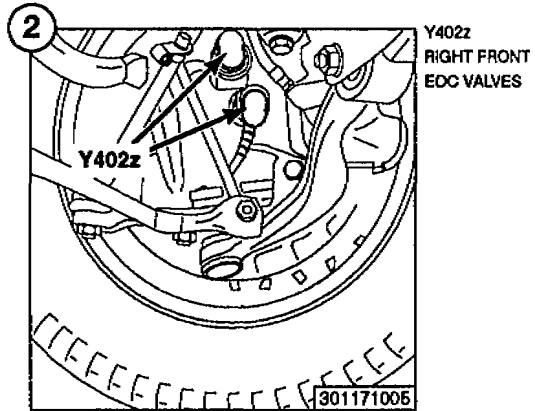
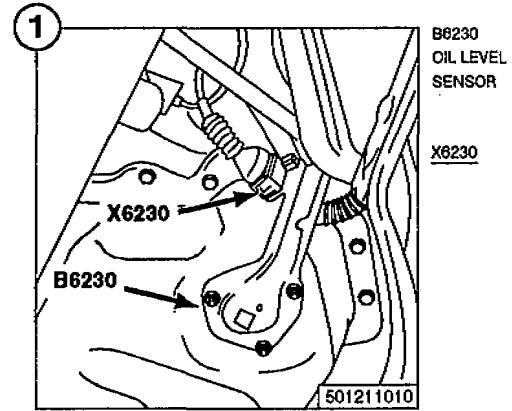
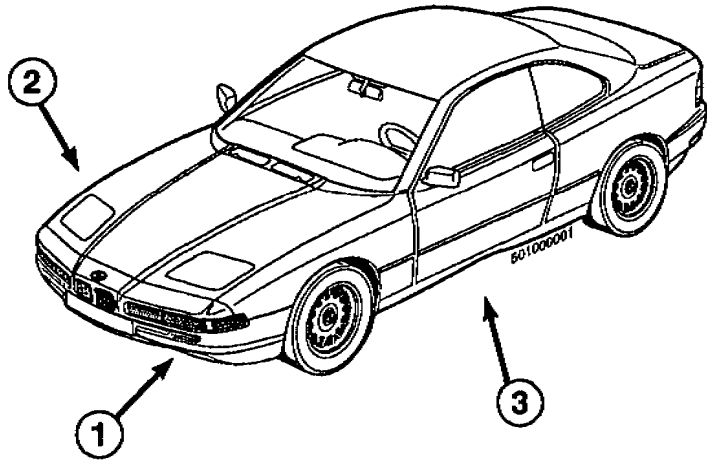
X408

X18145

X18146

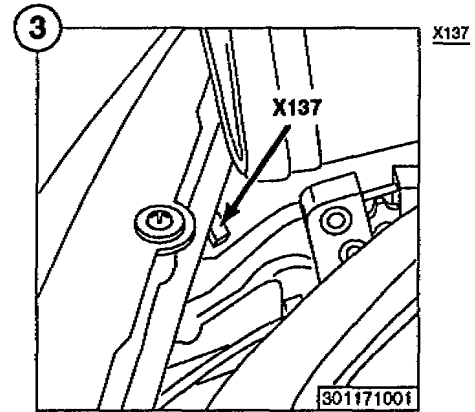
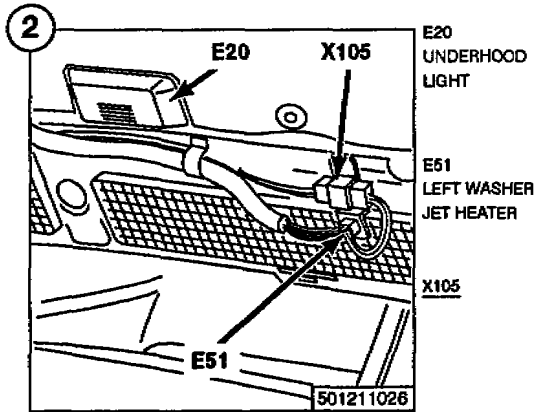
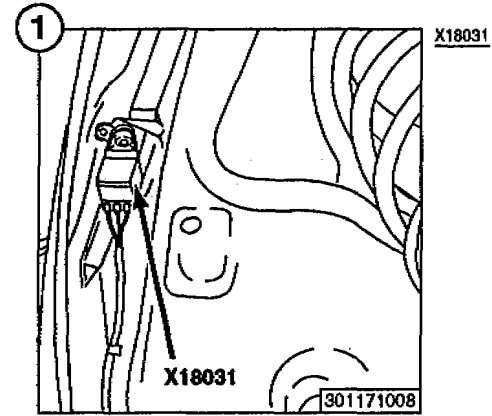
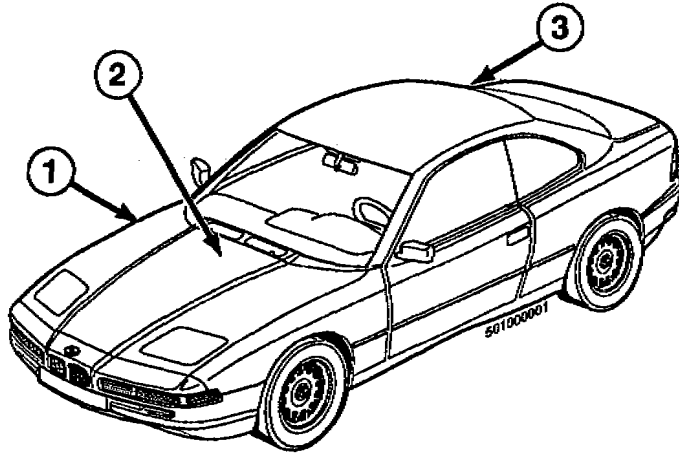


COMPONENT LOCATION VIEWS



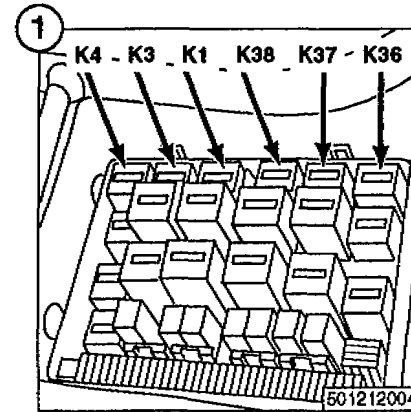
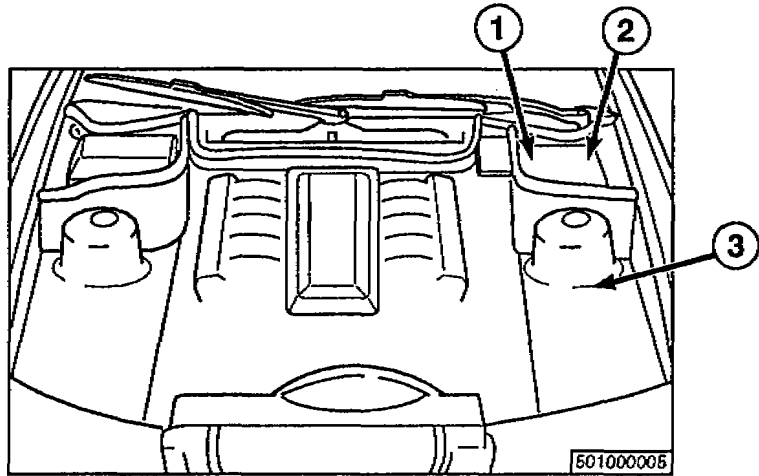


COMPONENT LOCATION VIEWS

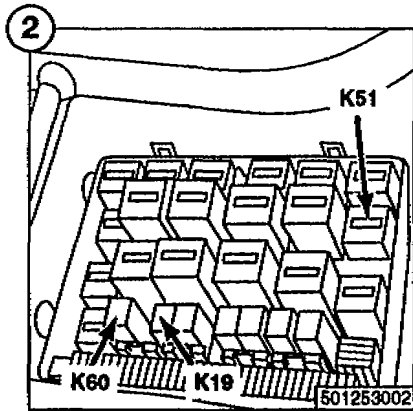




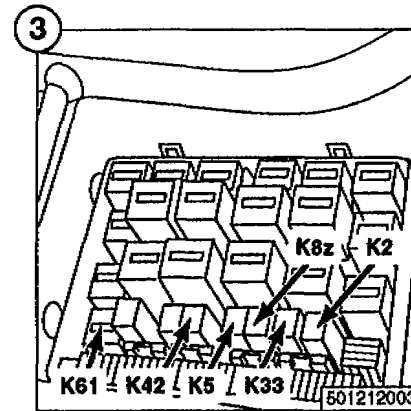
COMPONENT LOCATION VIEWS



- | | |
|-------------------------------------|------------------------|
| K1
STARTER RELAY | K36
WIPER RELAY I |
| K3
UNLOADER RELAY,
TERMINAL R | K37
WIPER RELAY II |
| K4
BLOWER RELAY | K38
WIPER RELAY III |



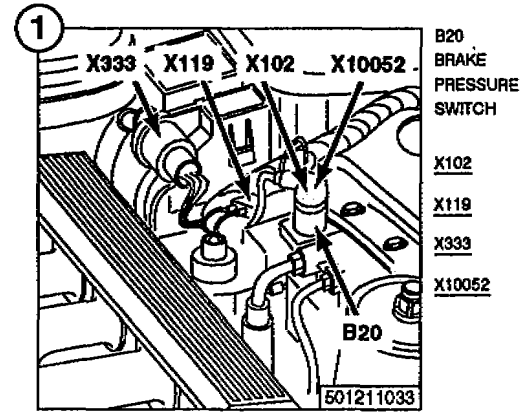
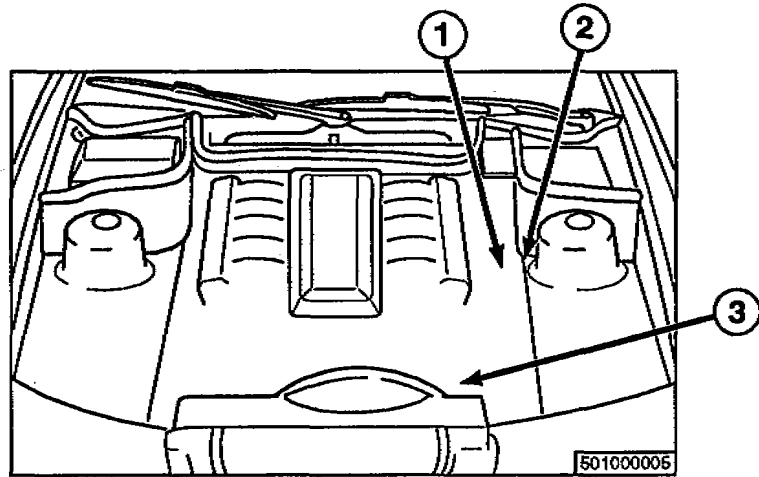
- | |
|--|
| K19
COMPRESSOR
CONTROL
RELAY |
| K51
JUMPER PLUG
FOR HORN/
TELEPHONE |
| K60
COMPRESSOR
CUT-OFF RELAY |



- | | |
|---|--|
| K2
HORN RELAY | K33
AIR
CONDITIONING
RELAY |
| K5
WASHER PUMP
RELAY | K42
INTENSIVE WASH
RELAY |
| K8z
AUXILIARY
WATER PUMP
RELAY | K81
UNLOADER
RELAY,
TERMINAL 61 |

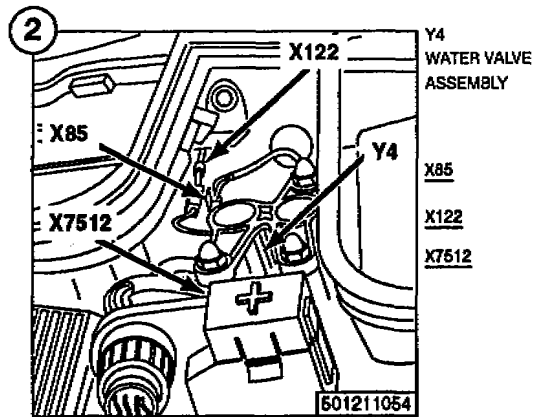


COMPONENT LOCATION VIEWS



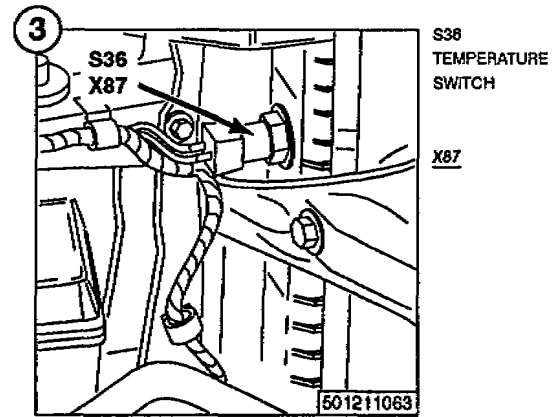
B20
BRAKE
PRESSURE
SWITCH

X102
X119
X333
X10052



Y4
WATER VALVE
ASSEMBLY

X85
X122
X7512

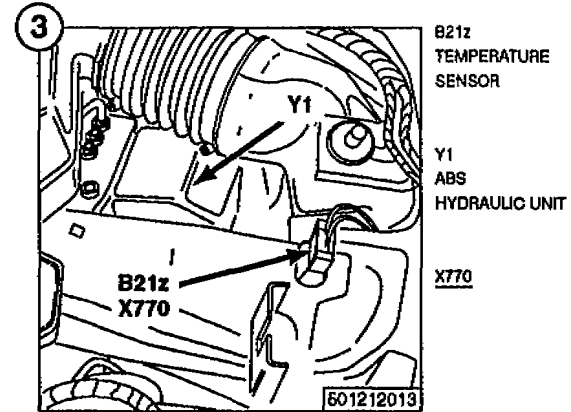
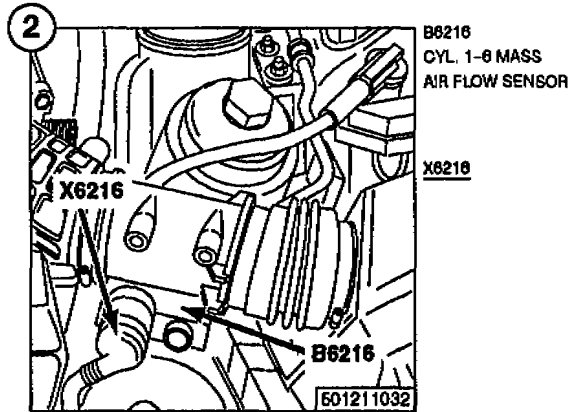
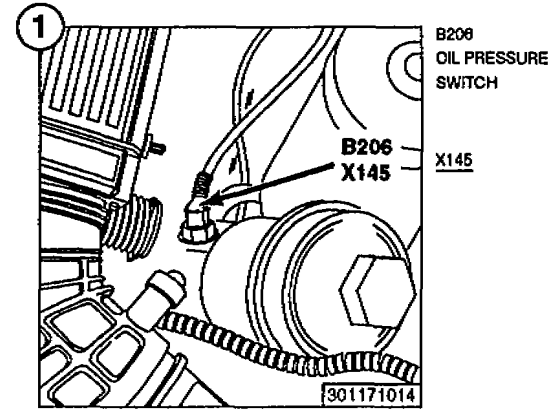
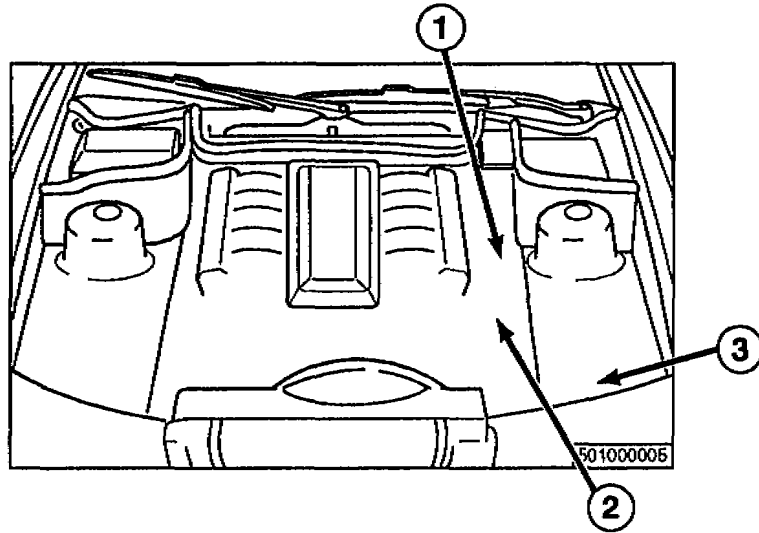


S38
TEMPERATURE
SWITCH

X87

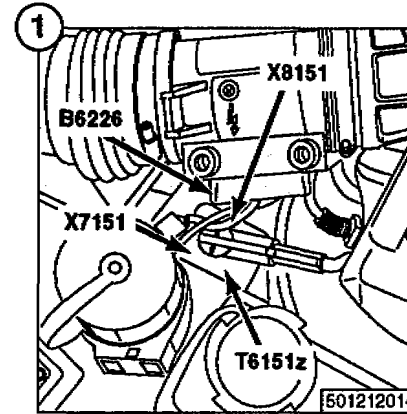
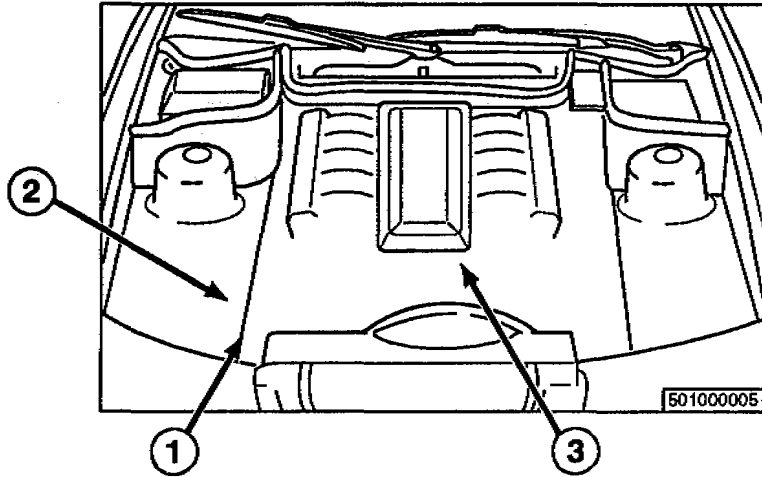


COMPONENT LOCATION VIEWS





COMPONENT LOCATION VIEWS

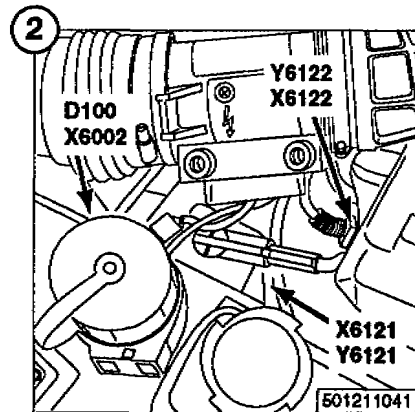


B6226
CYL. 7-12 MASS
AIR FLOW SENSOR

T6151z
CYL. 1-6
IGNITION COIL

X7151

X6151



D100
DATA LINK
CONNECTOR

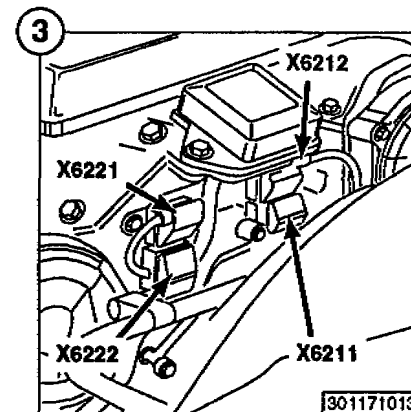
X6002

Y6121
CYL. 1-6
EVAPORATIVE
EMISSION VALVE

X6121

Y6122
CYL. 7-12
EVAPORATIVE
EMISSION VALVE

X6122



X6211

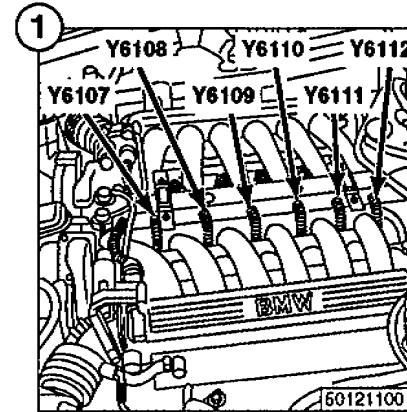
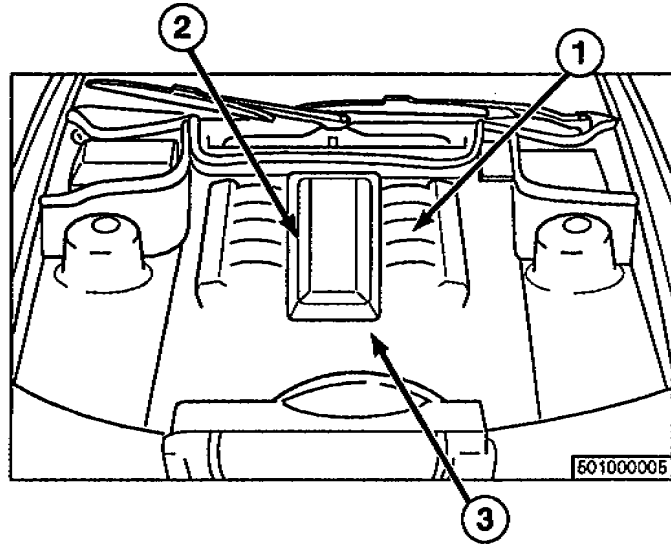
X6212

X6221

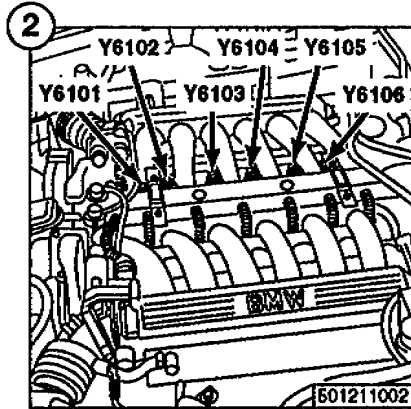
X6222



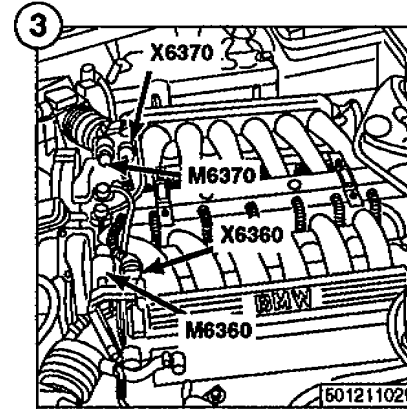
COMPONENT LOCATION VIEWS



- | | |
|---|--|
| Y6107
CYL. 7 FUEL
INJECTION VALVE | Y6110
CYL. 10 FUEL
INJECTION VALVE |
| Y6108
CYL. 8 FUEL
INJECTION VALVE | Y6111
CYL. 11 FUEL
INJECTION VALVE |
| Y6109
CYL. 9 FUEL
INJECTION VALVE | Y6112
CYL. 12 FUEL
INJECTION VALVE |



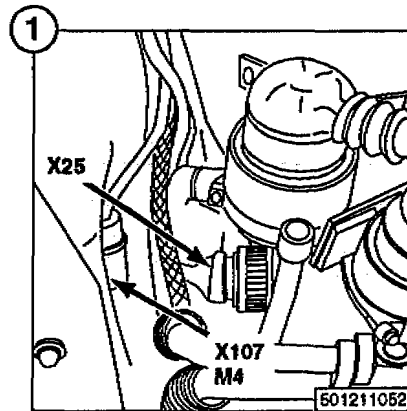
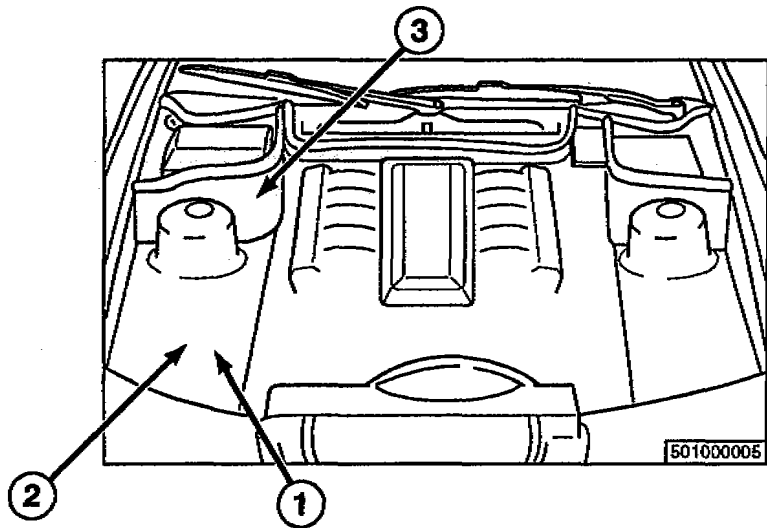
- | | |
|---|---|
| Y6101
CYL. 1 FUEL
INJECTION VALVE | Y6104
CYL. 4 FUEL
INJECTION VALVE |
| Y6102
CYL. 2 FUEL
INJECTION VALVE | Y6105
CYL. 5 FUEL
INJECTION VALVE |
| Y6103
CYL. 3 FUEL
INJECTION VALVE | Y6106
CYL. 6 FUEL
INJECTION VALVE |



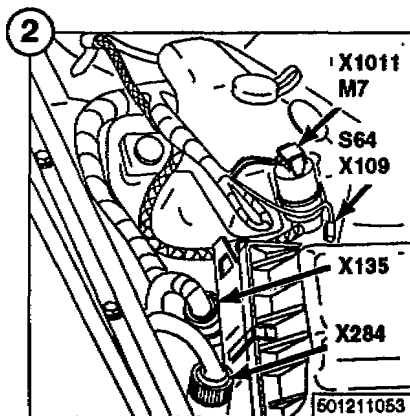
- | |
|--|
| M6360
CYL. 1-6
THROTTLE BODY
(EML) |
| M6370
CYL. 7-12
THROTTLE BODY
(EML) |
| X6380 |
| X6370 |



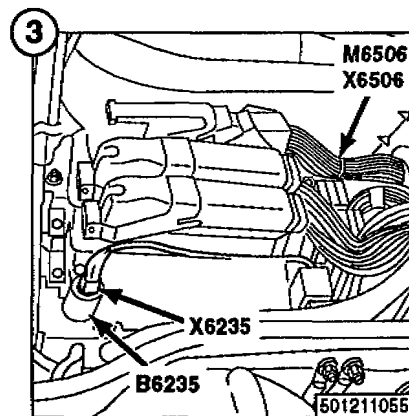
COMPONENT LOCATION VIEWS



M4
WASHER PUMP
X25
X107



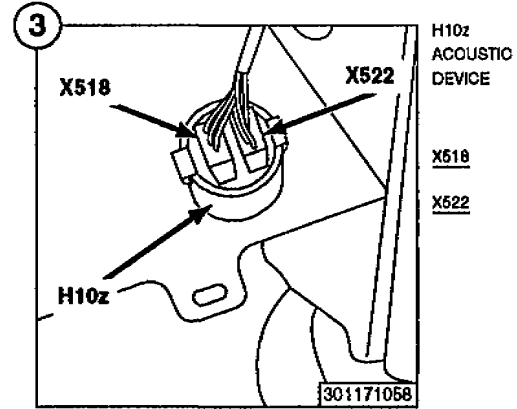
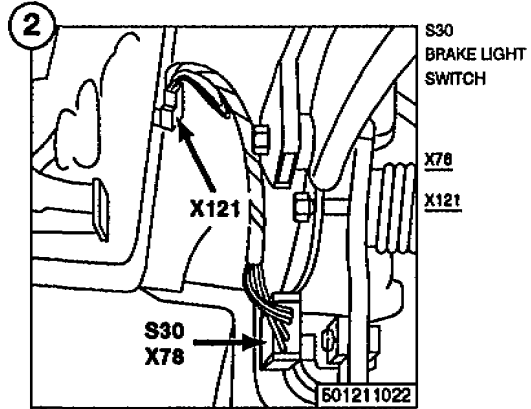
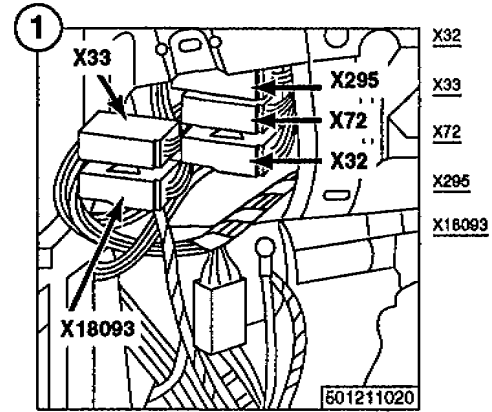
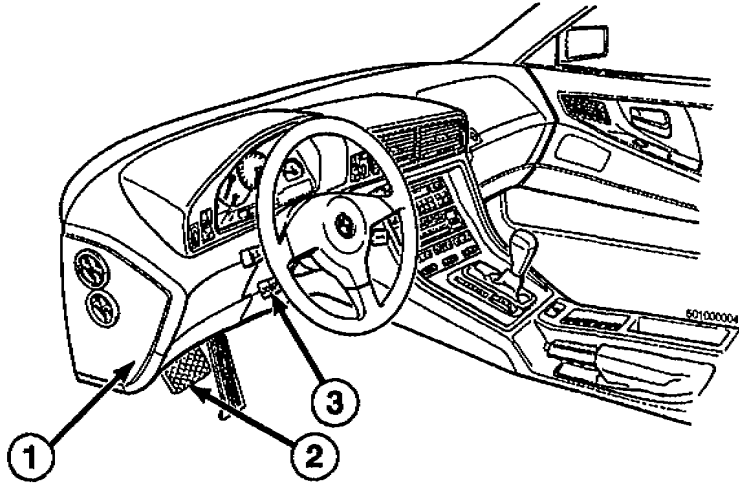
M7
HEADLIGHT/
FOG LIGHT
WASHER PUMP
S64
WASHER
FLUID LEVEL
SWITCH
X109
X135
X284
X1011



M6506
X6506
B6235
TEMPERATURE
SWITCH
M6506
E-BOX FAN
X6235
X6506

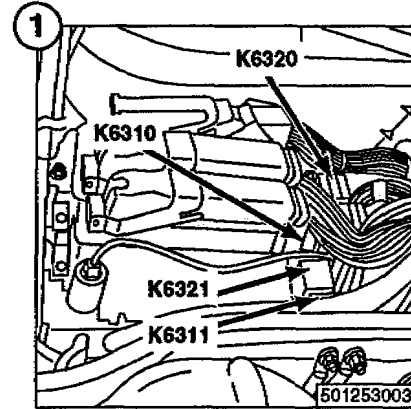
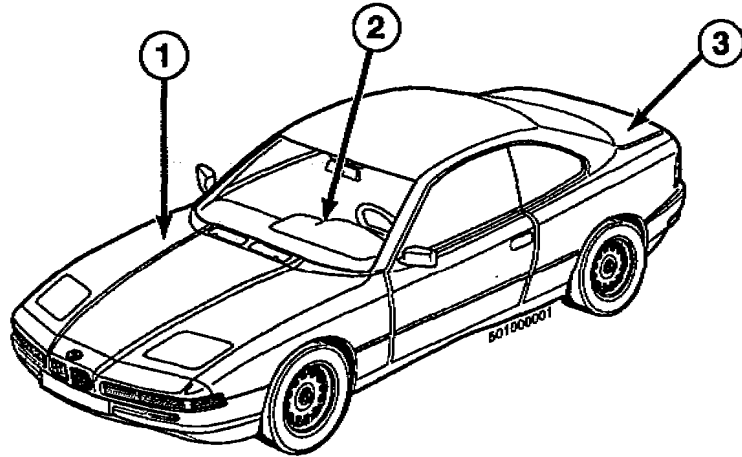


COMPONENT LOCATION VIEWS

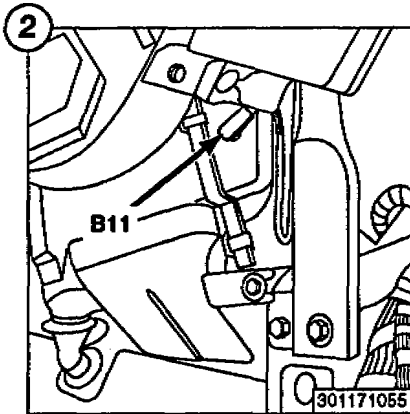




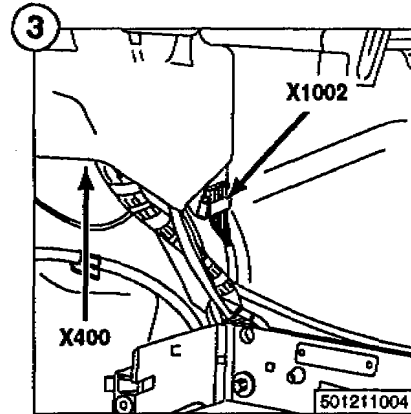
COMPONENT LOCATION VIEWS



- K6310
CYL. 1-6
ENGINE CONTROL
MODULE RELAY
- K6320
CYL. 7-12
ENGINE CONTROL
CYL. 1-4 FUEL
PUMP RELAY
- K6321
CYL. 1-6 FUEL
PUMP RELAY
- K6311
CYL. 7-12
ENGINE CONTROL
CYL. 1-4 FUEL
PUMP RELAY



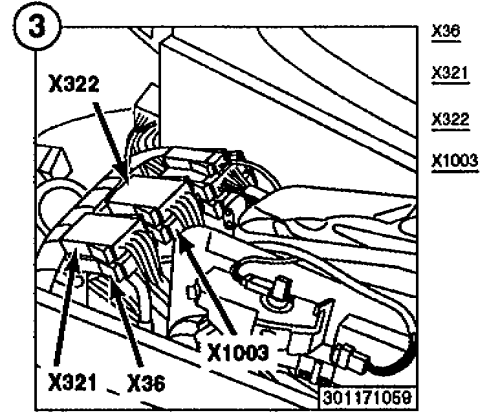
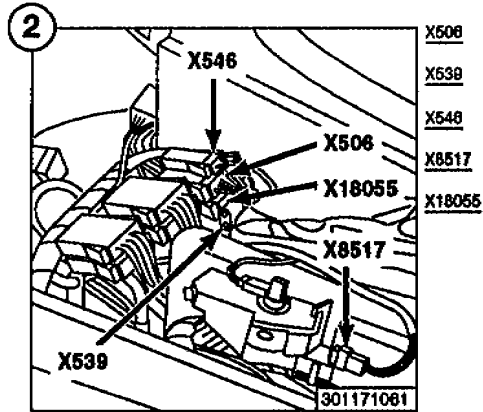
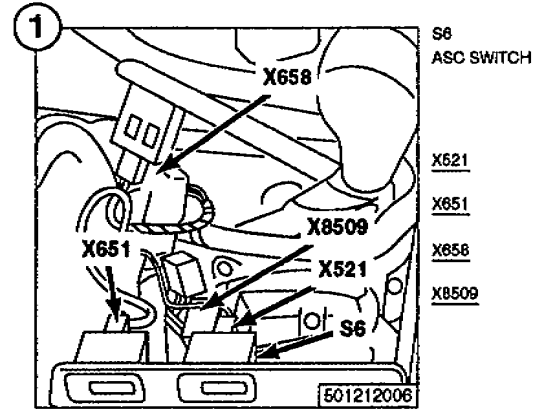
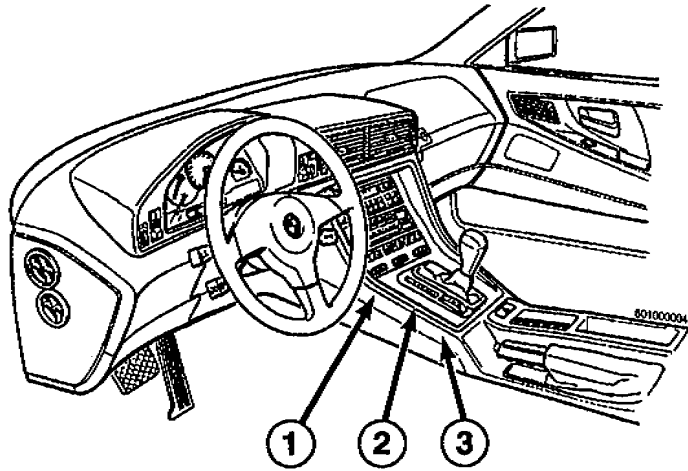
B11
LH HEAT
EXCHANGER
TEMPERATURE
SENSOR



X400
X1002

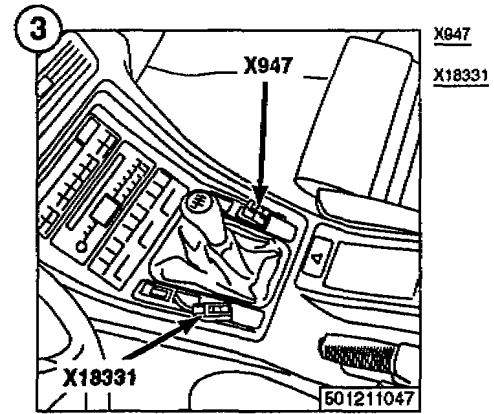
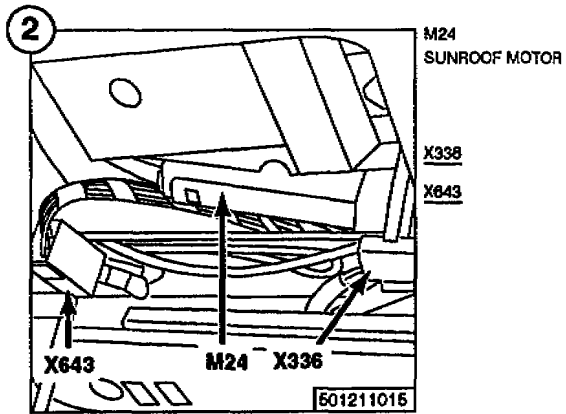
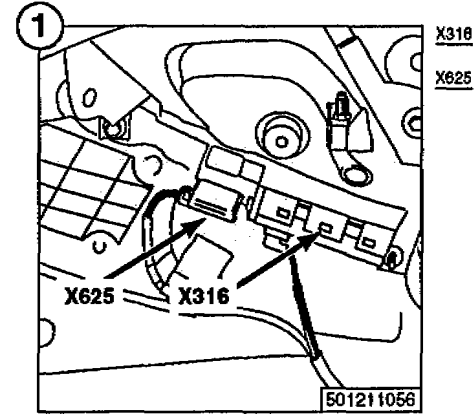
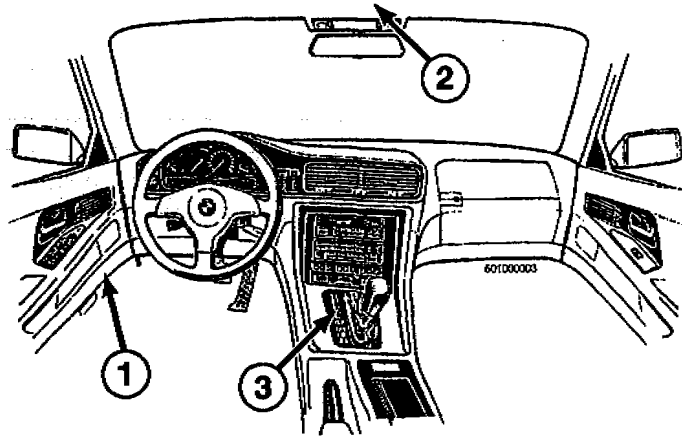


COMPONENT LOCATION VIEWS



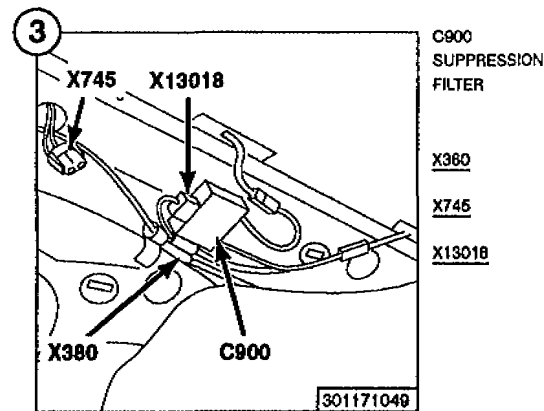
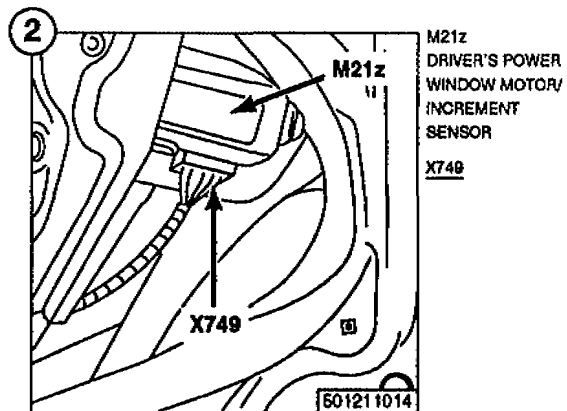
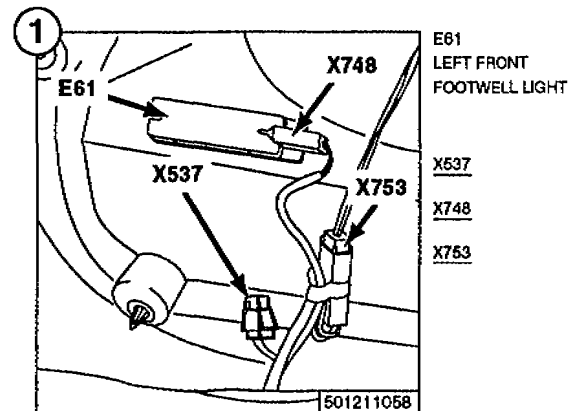
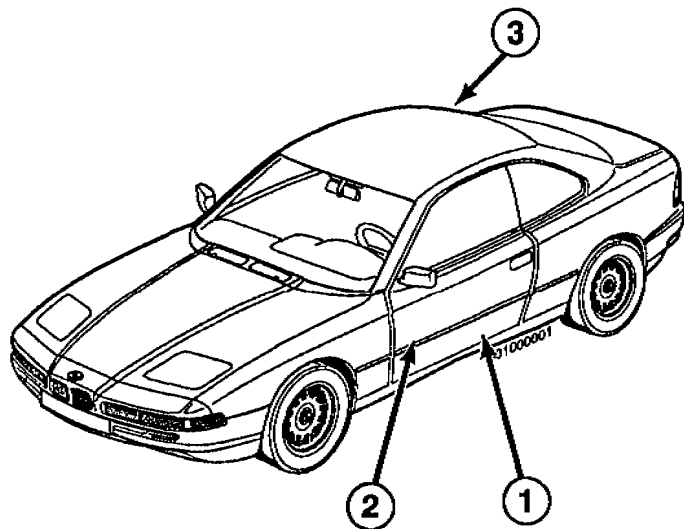


COMPONENT LOCATION VIEWS



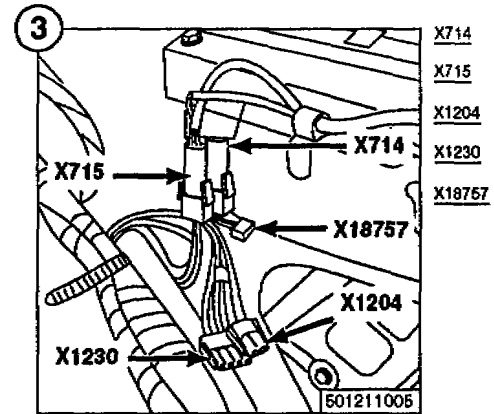
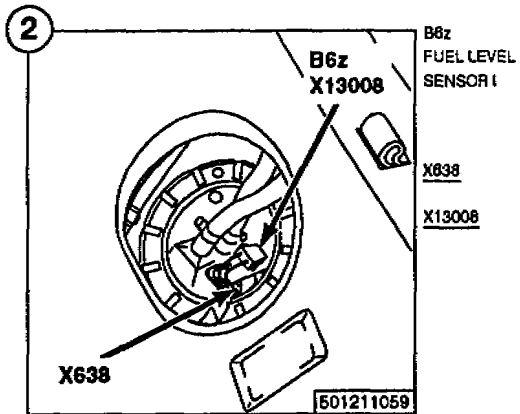
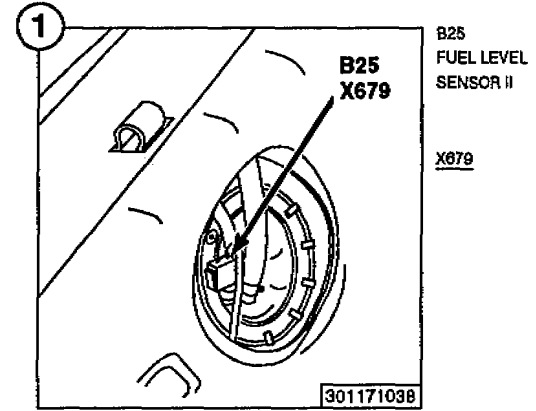
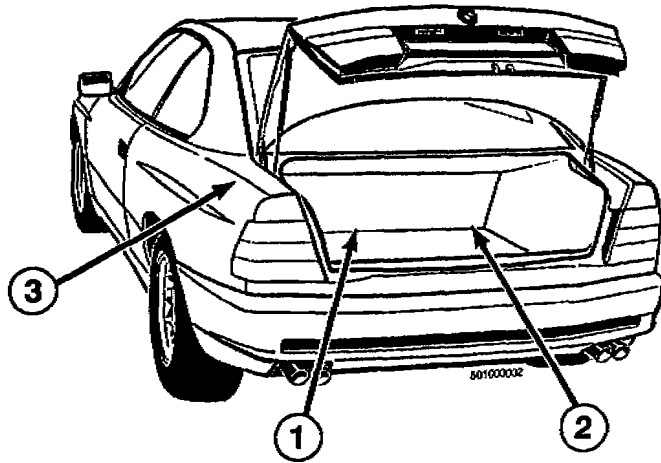


COMPONENT LOCATION VIEWS



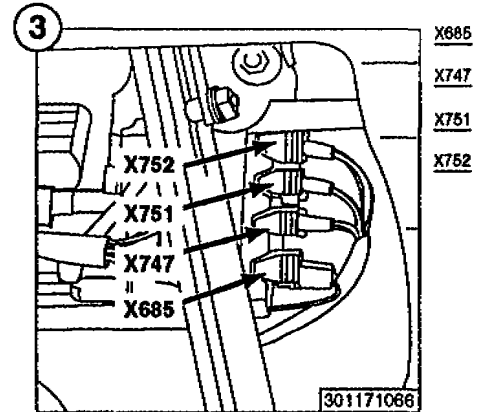
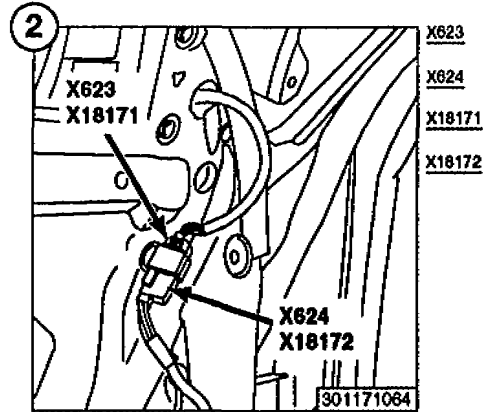
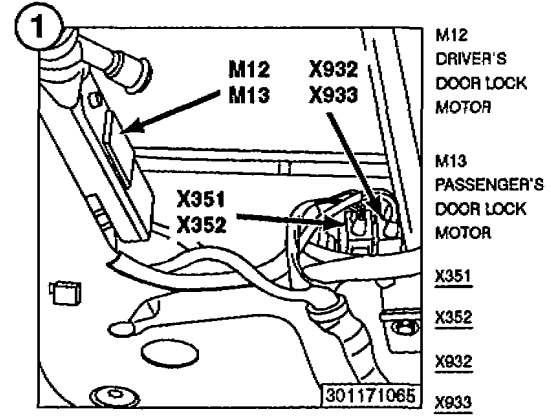
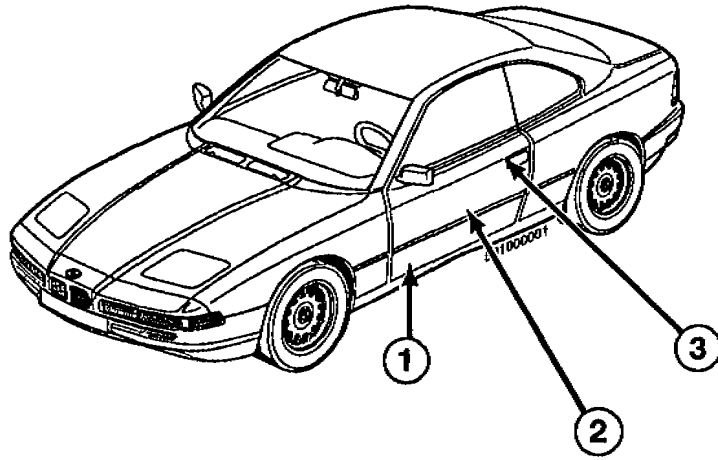


COMPONENT LOCATION VIEWS



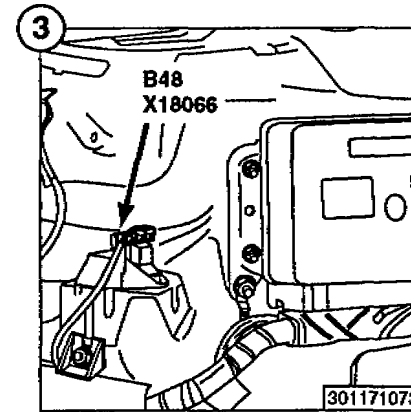
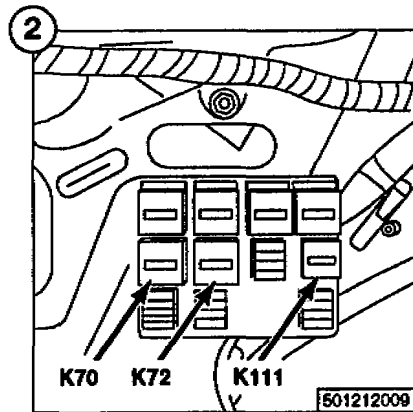
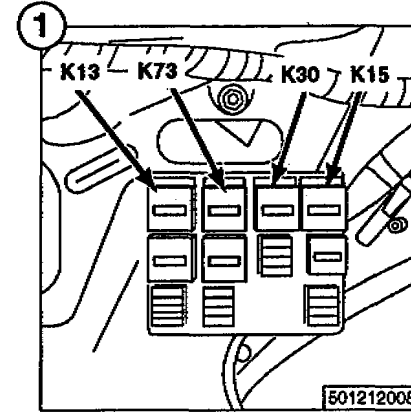
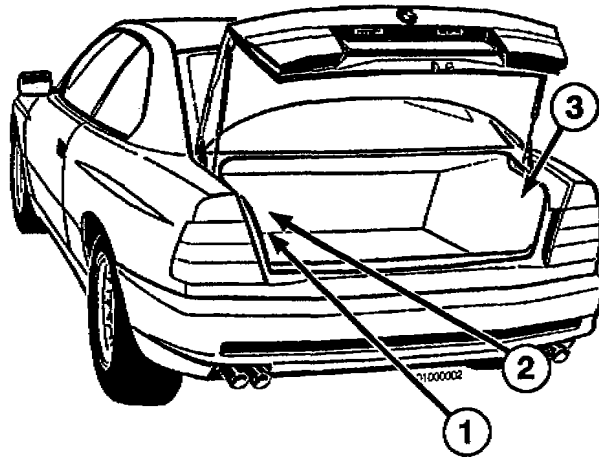


COMPONENT LOCATION VIEWS



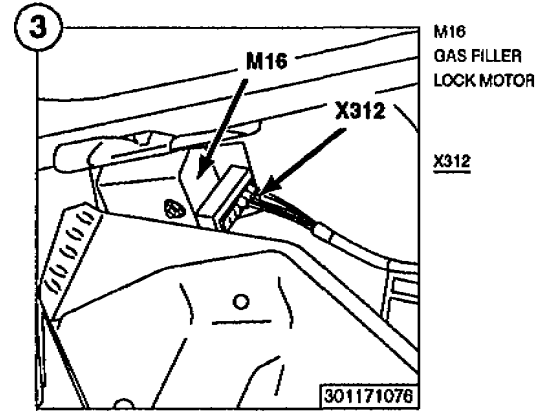
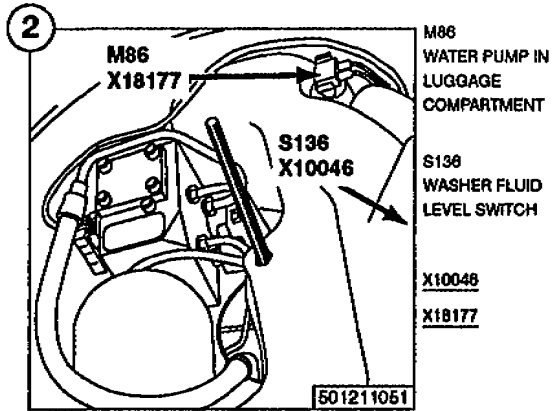
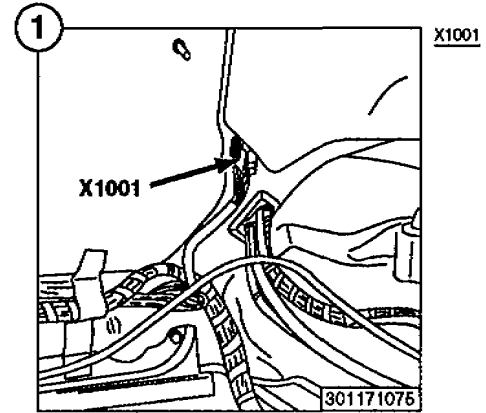
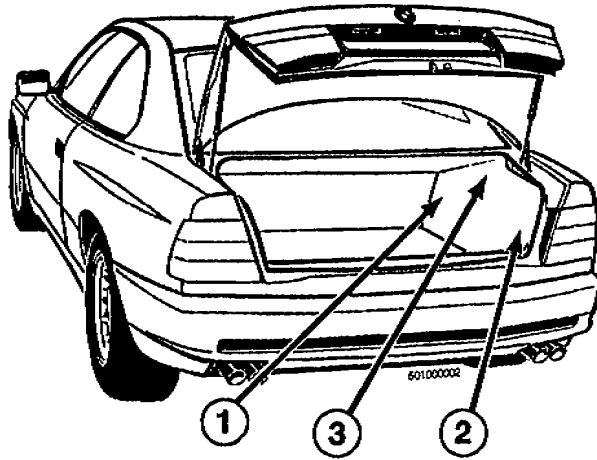


COMPONENT LOCATION VIEWS



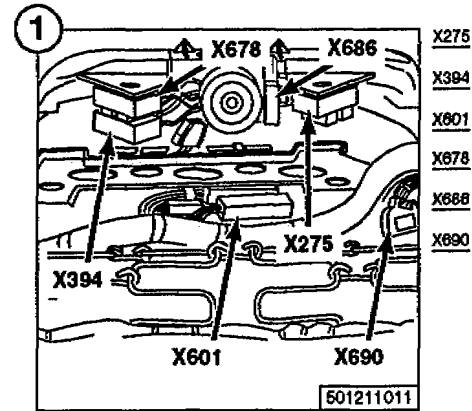
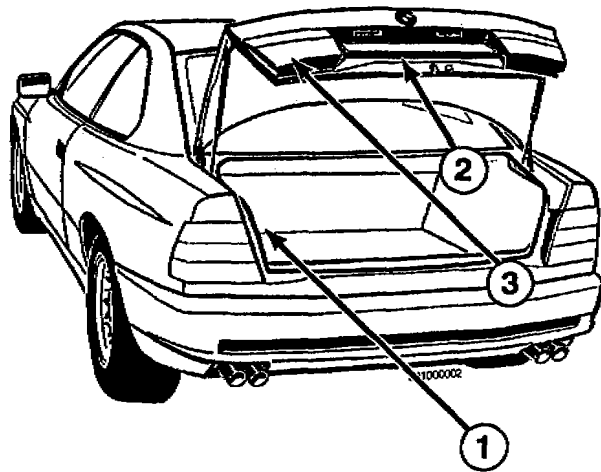


COMPONENT LOCATION VIEWS

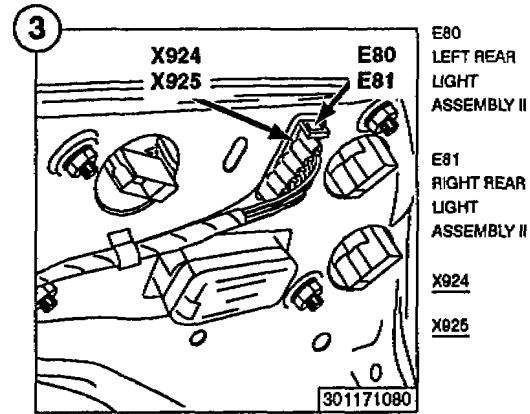
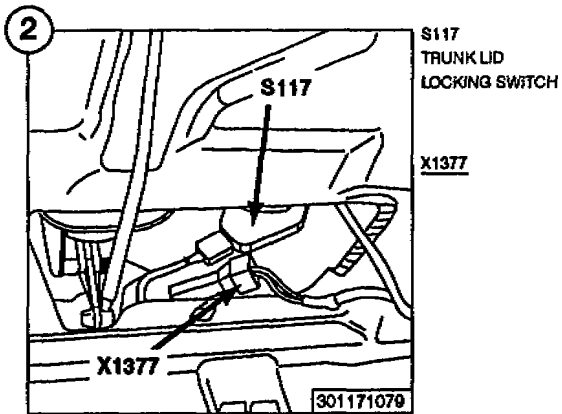




COMPONENT LOCATION VIEWS



- X275
- X384
- X801
- X678
- X686
- X690



- E80 LEFT REAR LIGHT ASSEMBLY II
- E81 RIGHT REAR LIGHT ASSEMBLY II
- X924
- X925

BMW
8

8000.0



SPLICE LOCATION VIEWS

SPLICE LOCATION INDEX

SPLICE	HARNESS	PAGE NUMBER	SPLICE	HARNESS	PAGE NUMBER
X181-X190	FRONT	8000.0-02	X934	DRIVER'S DOOR	NOT SHOWN
X195	CHASSIS	8000.0-03	X935	PASSENGER'S DOOR	NOT SHOWN
X196-X208	FRONT	8000.0-02	X939	REAR	8000.0-04
X212-X265	FRONT	8000.0-02	X943	SUNSHADE	NOT SHOWN
X267	REAR	8000.0-04	X960-X980	BATTERY	NOT SHOWN
X276	FRONT	8000.0-02	X1006	REAR	8000.0-04
X427-X486	REAR	8000.0-04	X1017-X1018	CHASSIS	8000.0-03
X557	GLOVE BOX LIGHTS	NOT SHOWN	X1022-X1036	FRONT	8000.0-02
X558-X559	REAR	8000.0-04	X1180	CHASSIS	8000.0-03
X560	FRONT	8000.0-02	X1183	FRONT	8000.0-02
X566-X567	CHASSIS	8000.0-03	X1200	FRONT	8000.0-02
X582-X704	FRONT	8000.0-02	X1202-X1215	REAR	8000.0-04
X801	FRONT	8000.0-02	X1351-X1356	CHASSIS	8000.0-03
X805	REAR	8000.0-04	X1359-X1378	REAR	8000.0-04
X806	FRONT	8000.0-02	X1411-X1414	CHASSIS	8000.0-03
X823	TRAILER ADAPTER	NOT SHOWN	X6411-X8047	ENGINE	NOT SHOWN
X824-X830	RADIO	NOT SHOWN	X10014-X10056	FRONT	8000.0-02
X833	REAR	8000.0-04	X10064	CHASSIS	8000.0-03
X840	DRIVER'S SEAT	NOT SHOWN	X10090	REAR	8000.0-04
X844	PASSENGER'S SEAT	NOT SHOWN	X11245	FRONT	8000.0-02
X848-X851	DRIVER'S DOOR	NOT SHOWN	X13000	REAR	8000.0-04
X852-X859	IHKA	NOT SHOWN	X13133	REAR	8000.0-04
X878	RADIO	NOT SHOWN	X18026-X18046	CHASSIS	8000.0-03
X891-X892	PASSENGER'S DOOR	NOT SHOWN	X18044	FRONT	8000.0-02
X894	REAR	8000.0-04	X18048	REAR	8000.0-04
X914	FRONT	8000.0-02	X18056-X18087	CHASSIS	8000.0-03
X926-X927	DRIVER'S DOOR	NOT SHOWN	X18091	DRIVER'S SEAT	NOT SHOWN
X928-X929	PASSENGER'S DOOR	NOT SHOWN	X18092	PASSENGER'S SEAT	NOT SHOWN



SPLICE LOCATION VIEWS

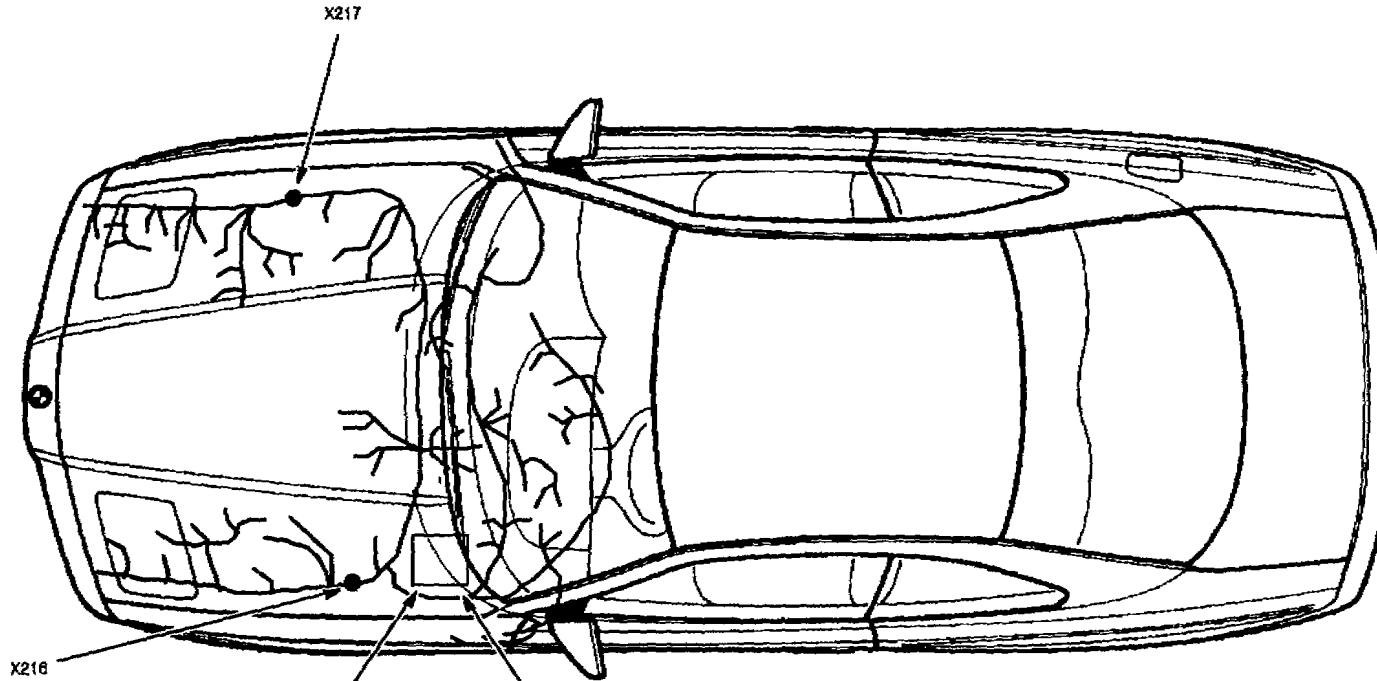
SPLICE LOCATION INDEX

SPLICE	HARNESS	PAGE NUMBER
X18100-X18106	DRIVER'S SEAT	NOT SHOWN
X18108	PARK HEATING/VENTILATION	NOT SHOWN
X18121-X18122	REAR	8000.0-04
X18123	DRIVER'S DOOR	NOT SHOWN
X18140-X18142	IHKA	NOT SHOWN
X18174	RADIO	NOT SHOWN
X18175	DRIVER'S SEAT	NOT SHOWN
X18176	PASSENGER'S SEAT	NOT SHOWN
X18182	RADIO	NOT SHOWN
X18217	DRIVER'S DOOR	NOT SHOWN
X18226-X18241	CHASSIS	8000.0-03
X18295-X18335	CHASSIS	8000.0-03
X18247-X18737	DRIVER'S SEAT	NOT SHOWN
X18738	PASSENGER'S SEAT	NOT SHOWN
X18740	GLOVE BOX LIGHTS	NOT SHOWN
X18745	FRONT	8000.0-02
X18768	CHASSIS	8000.0-03
X18769	CHASSIS	8000.0-03
X19507	FRONT	8000.0-02
X19511-X19512	RADIO	NOT SHOWN
X19515	DRIVER'S DOOR	NOT SHOWN
X19516	PASSENGER'S DOOR	NOT SHOWN



SPLICE LOCATION VIEWS

FRONT HARNESS



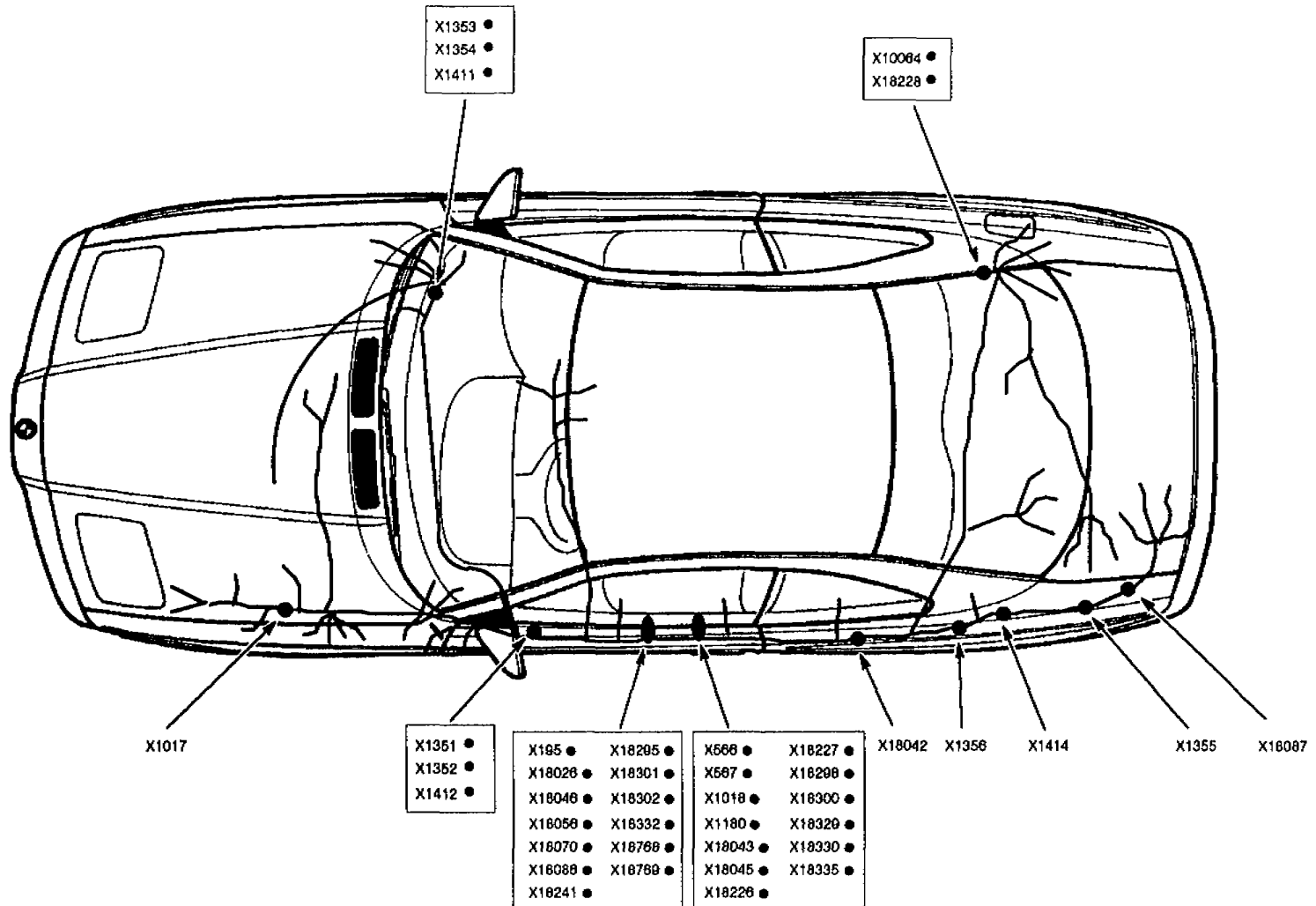
X184	X245	X265
X185	X240	X560
X188	X248	X801
X201	X247	X914
X203	X248	X1022
X205	X249	X1200
X208	X250	X10014
X212	X261	X11245
X224	X264	X18745

X181	X213	X806
X182	X215	X1023
X183	X222	X1036
X190	X223	X1183
X196	X226	X10043
X198	X243	X10056
X199	X241	X18044
X200	X276	X19507
X204	X582	



SPLICE LOCATION VIEWS

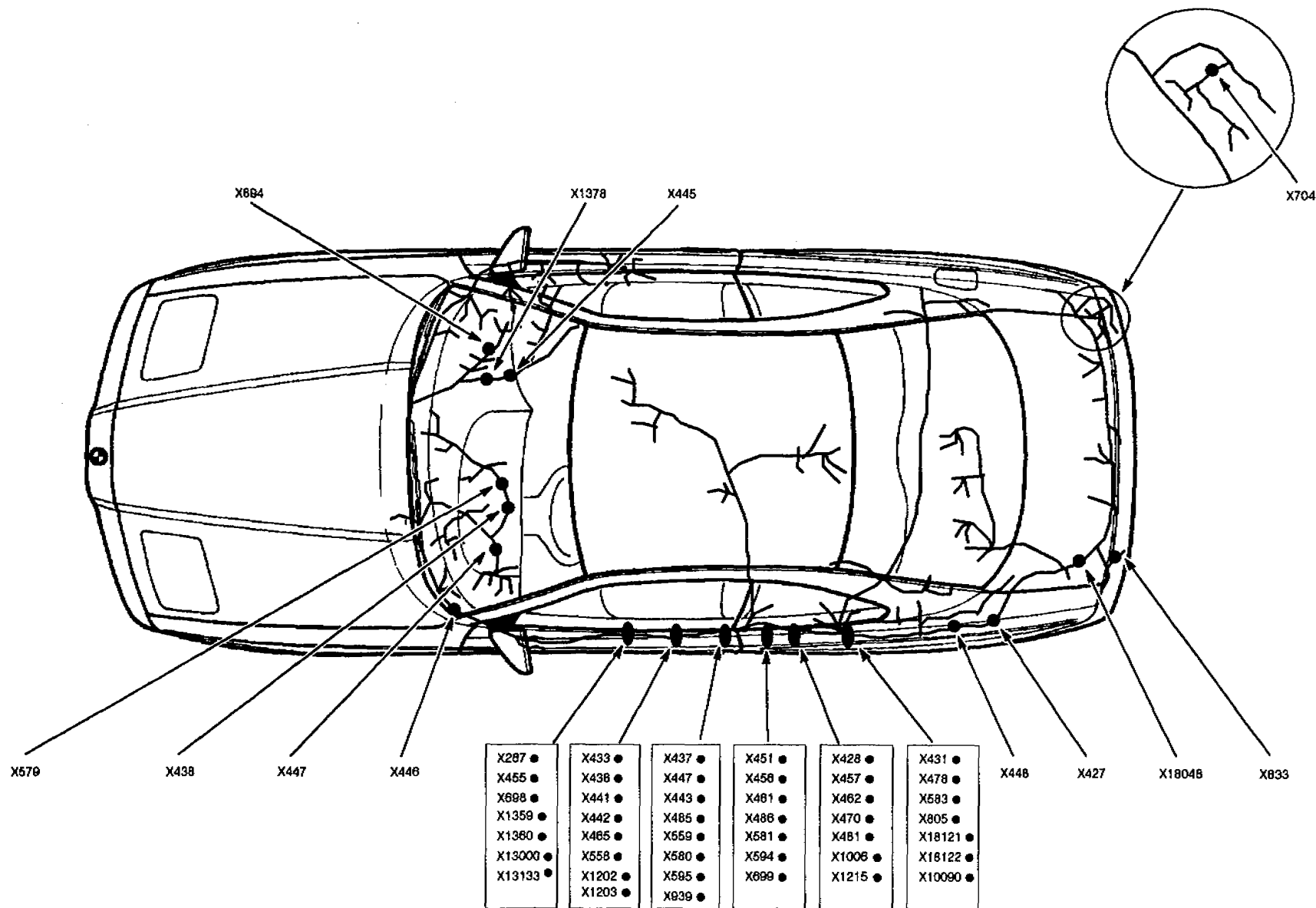
CHASSIS HARNESS





SPLICE LOCATION VIEWS

REAR HARNESS



BMW
8

8500.0



CONNECTOR VIEWS

FIG. 1

B880001.00

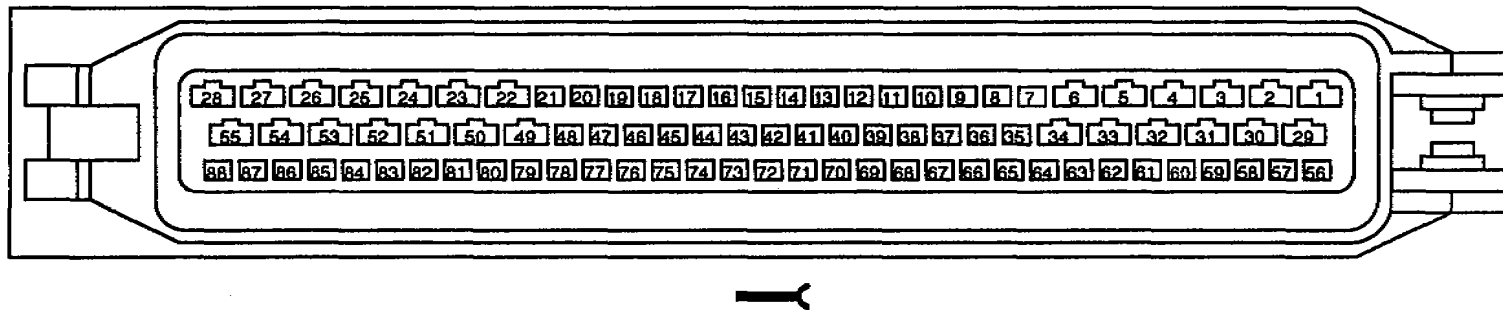


FIG. 2

B550001.00

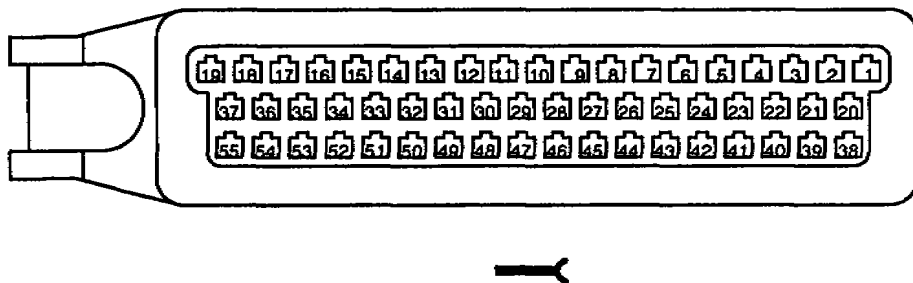
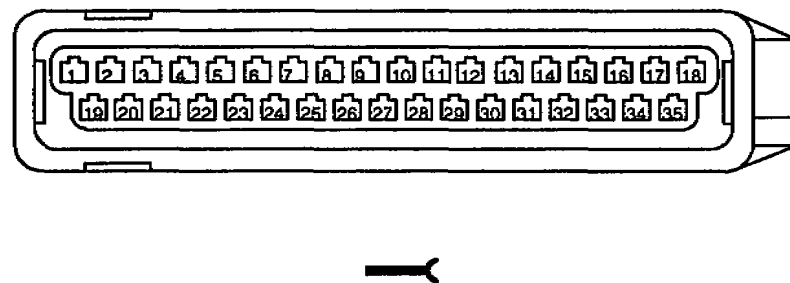


FIG. 3

B350002.05



CONNECTOR VIEWS

FIG. 1

B300001.01

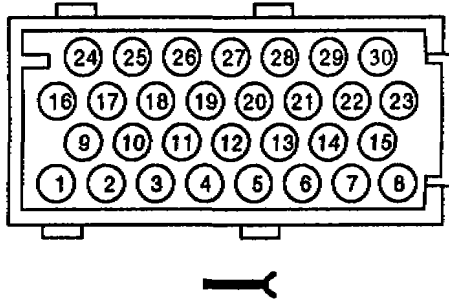


FIG. 2

B260005.01

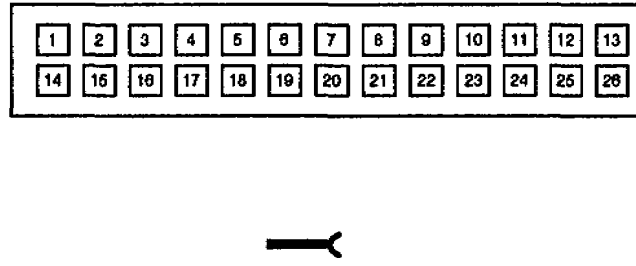


FIG. 3

B260002.00

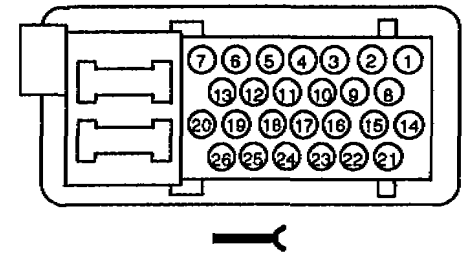


FIG. 4

B260002.00

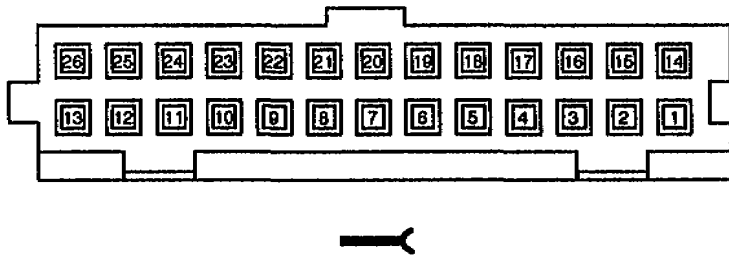


FIG. 5

8250001.02

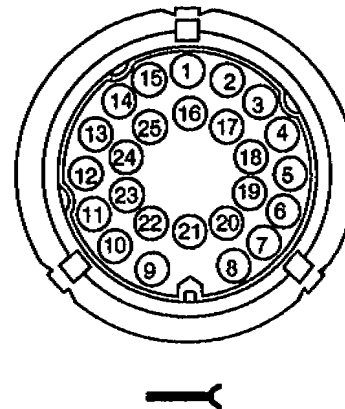
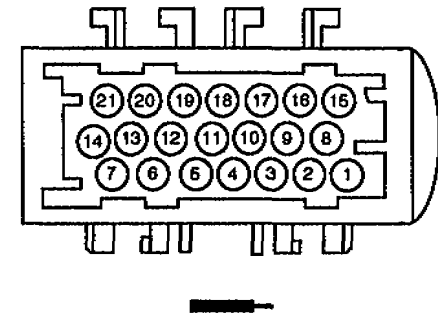


FIG. 6

B210001.00





CONNECTOR VIEWS

FIG. 1

B200007.00

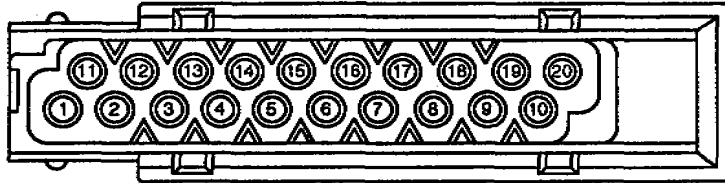


FIG. 2

B200003.00

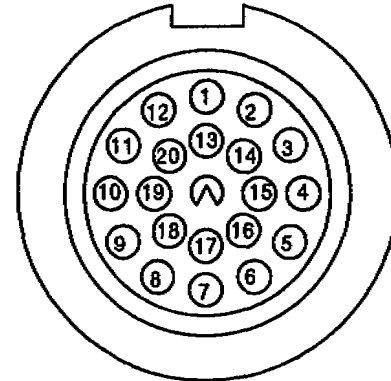


FIG. 3

B180000.01

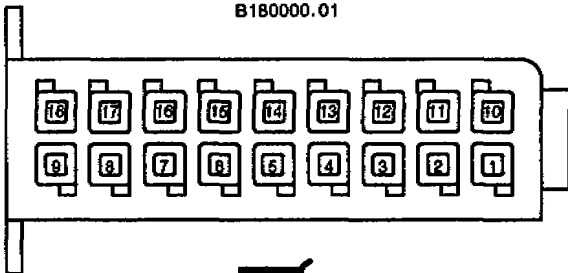


FIG. 4

B170001.00

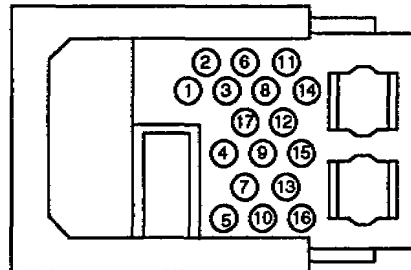


FIG. 5

B150002.00

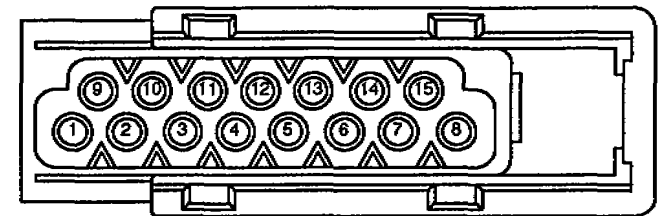


FIG. 1

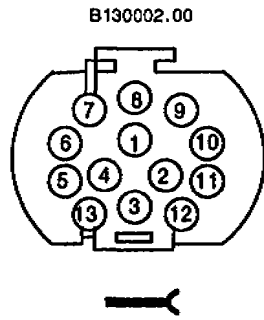


FIG. 2

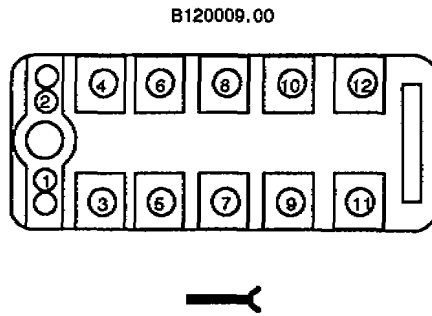


FIG. 3

B120015.02

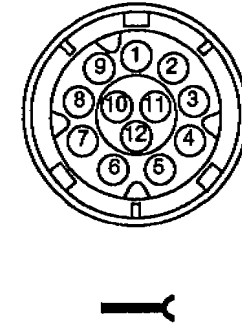


FIG. 4

B120013.00

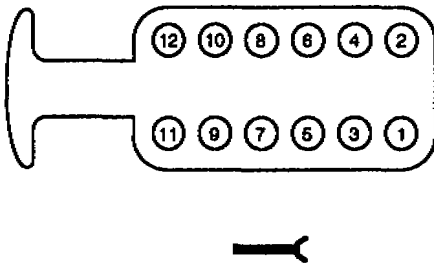


FIG. 5

B120011.01

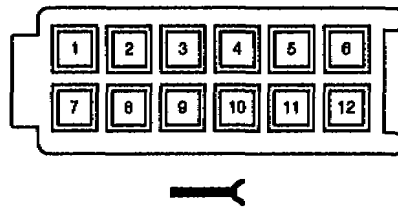
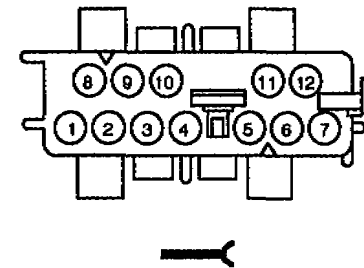


FIG. 6

B120005.00





CONNECTOR VIEWS

FIG. 1

B120002.02

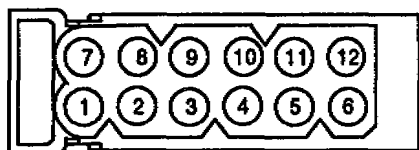


FIG. 2

B120006.00

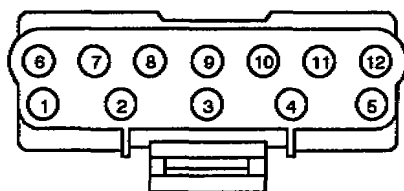


FIG. 3

B120004.05

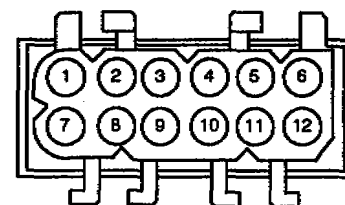


FIG. 4

B120008.00

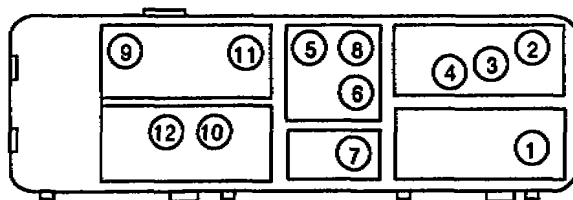


FIG. 5

B100004.01

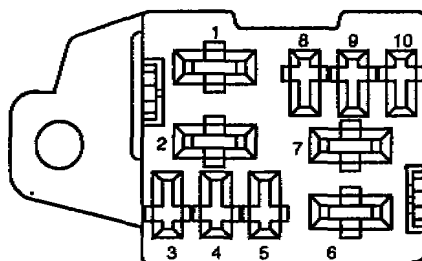
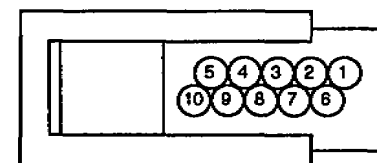


FIG. 6

B100007.00





CONNECTOR VIEWS

FIG. 1

B100009.00

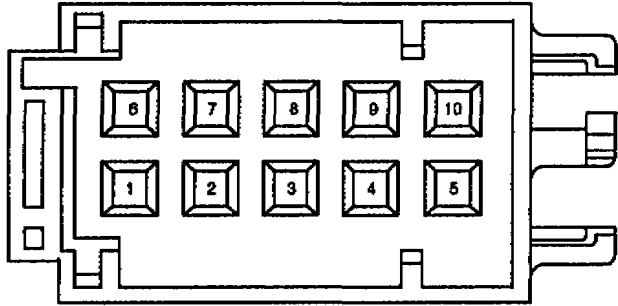


FIG. 2

B100010.00

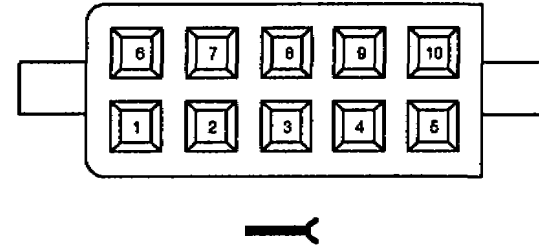


FIG. 3

B100008.00

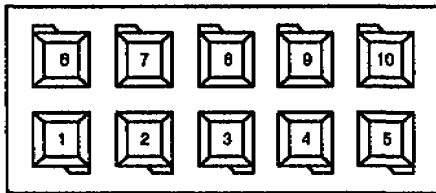


FIG. 4

B090001.00

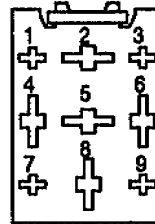


FIG. 5

B080003.01

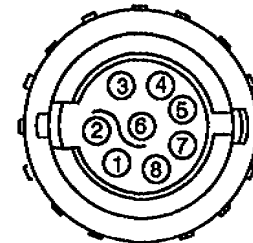


FIG. 1

B080005.00

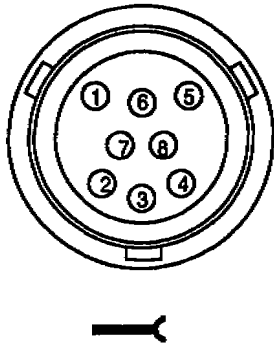


FIG. 2

B080008.00

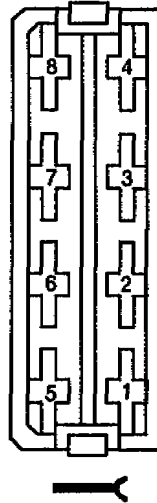


FIG. 3

B080001.01

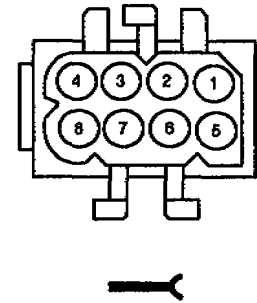


FIG. 4

B080002.00

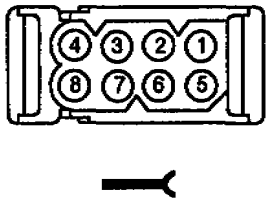


FIG. 5

B070005.01

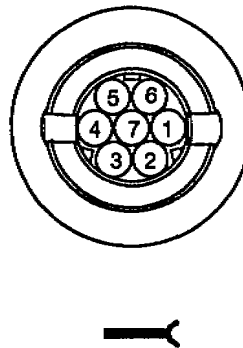
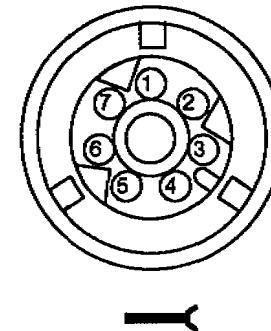


FIG. 6

B070007.02





CONNECTOR VIEWS

FIG. 1

B060006.00

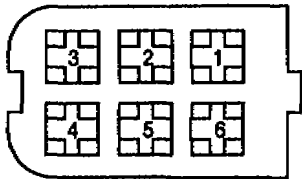


FIG. 2

B060035.03

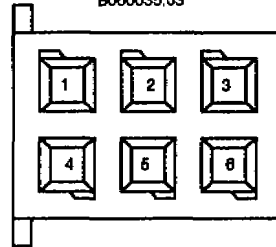


FIG. 3

B060038.00

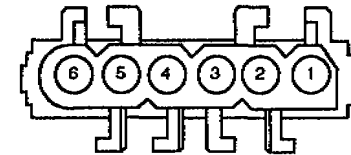


FIG. 4

B060016.00

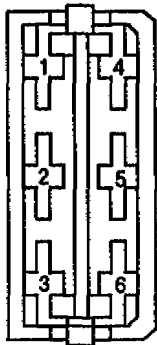


FIG. 5

B060009.00

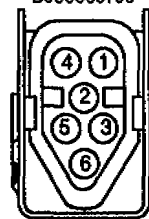


FIG. 6

B060017.00



FIG. 1

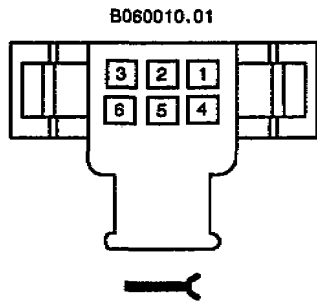


FIG. 2

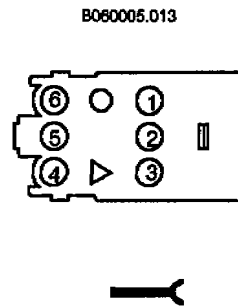


FIG. 3

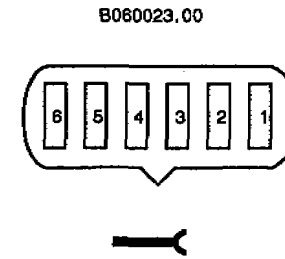


FIG. 4

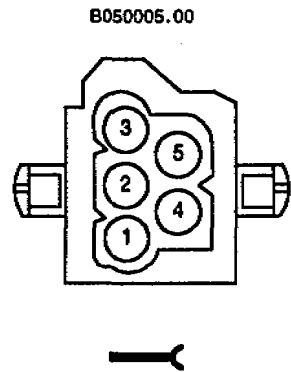


FIG. 5

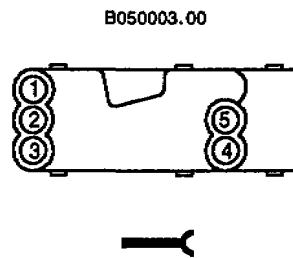
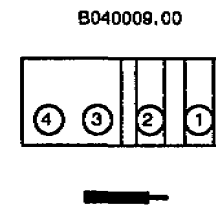


FIG. 6





CONNECTOR VIEWS

FIG. 1

B040021

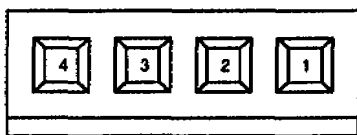


FIG. 2

B040004.00



FIG. 3

B040002.00

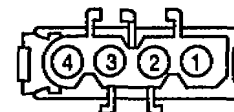


FIG. 4

B040017.01

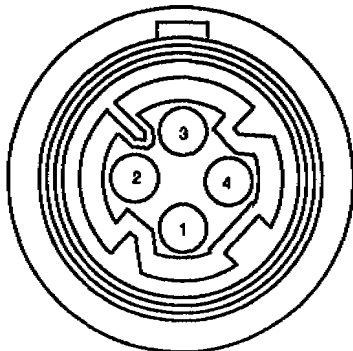


FIG. 5

B040013

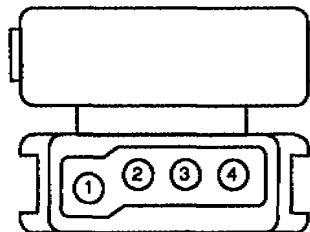
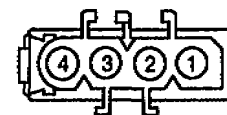


FIG. 6

B040002.04





CONNECTOR VIEWS

FIG. 1

B040019.04

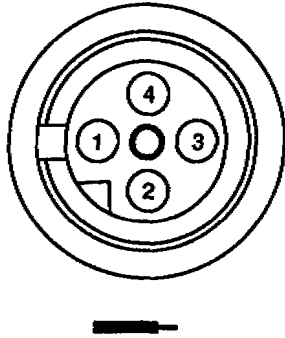


FIG. 2

B040015.00

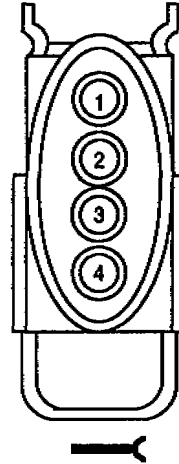


FIG. 3

B040003.00

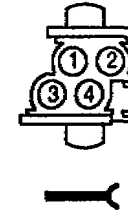


FIG. 4

B030041.00

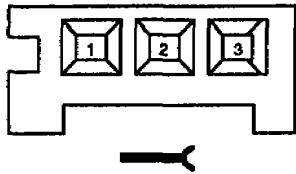


FIG. 5

B030024

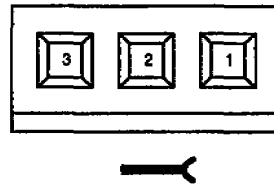
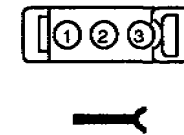


FIG. 6

B030003.04





CONNECTOR VIEWS

FIG. 1

B030026.00

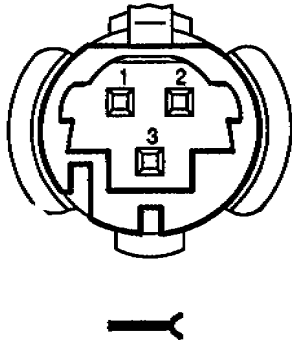


FIG. 2

B030009.00

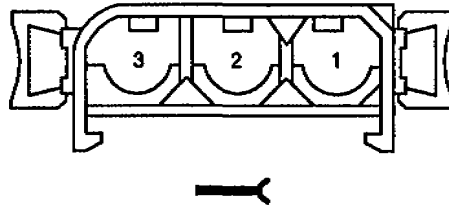


FIG. 3

B030013.00



FIG. 4

B030004.00

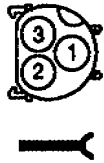


FIG. 5

B030012.00

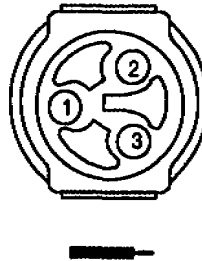


FIG. 6

B030005.00

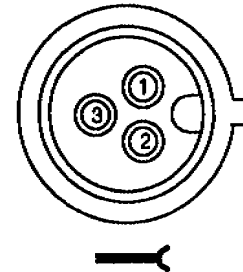


FIG. 1

B030015.00

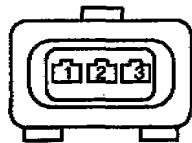


FIG. 2

B030001.00

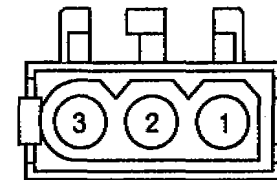


FIG. 3

B030027.00

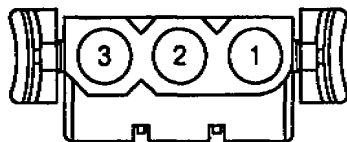
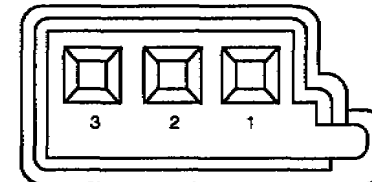


FIG. 4

B030022.00





CONNECTOR VIEWS

FIG. 1

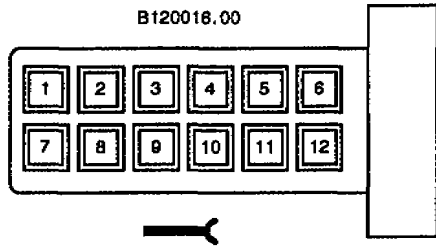


FIG. 2

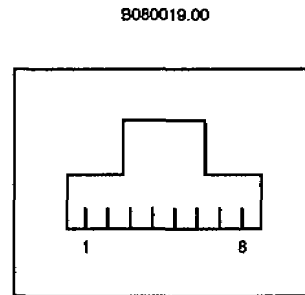


FIG. 3

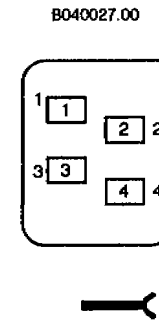


FIG. 4

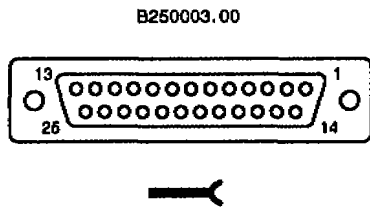


FIG. 5





8500:0-14